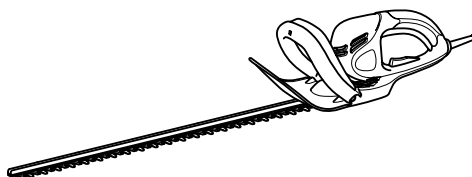
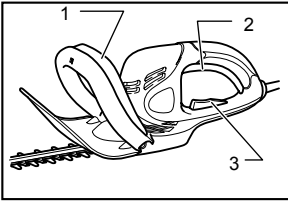




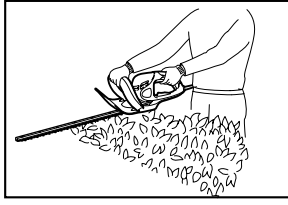
| | | |
|----|---|---------------------------|
| GB | Hedge Trimmer | INSTRUCTION MANUAL |
| UA | Ланцюгова пила для підрізування живоплоту | ІНСТРУКЦІЯ З ЕКСПЛУАТАЦІЇ |
| PL | Nożyce do żywopłotu | INSTRUKCJA OBSŁUGI |
| RO | Mașină de tuns gard viu | MANUAL DE INSTRUCȚIUNI |
| DE | Heckenschere | BEDIENUNGSANLEITUNG |
| HU | Sövényvágó | HASZNÁLATI KÉZIKÖNYV |
| SK | Nožnice na živé ploty | NÁVOD NA OBSLUHU |
| CZ | Zastříhovač živých plotů | NÁVOD K OBSLUZE |

UH4261
UH4861
UH5261

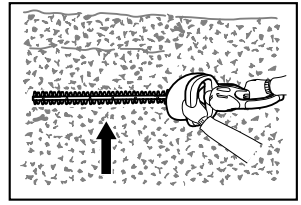




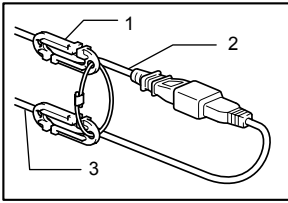
1 009398



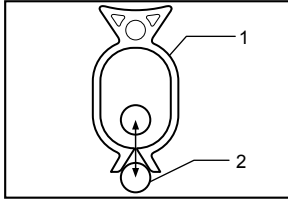
2 009399



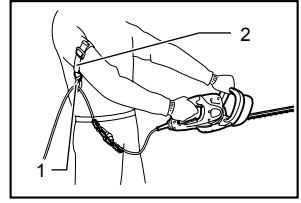
3 009400



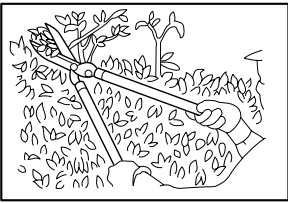
4 007542



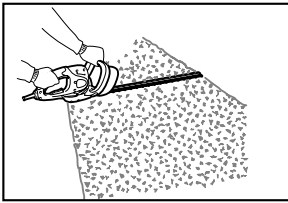
5 007545



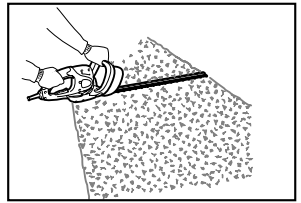
6 009402



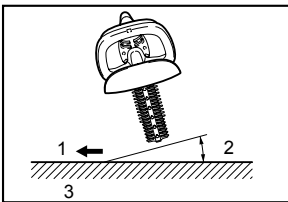
7 007559



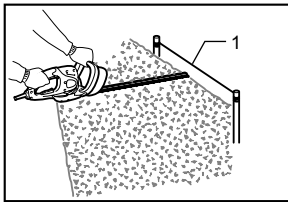
8 009403



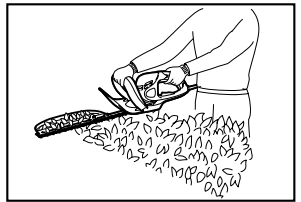
9 009403



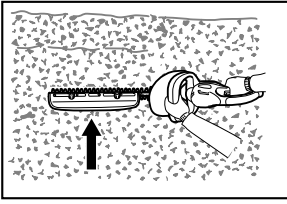
10 009404



11 009405

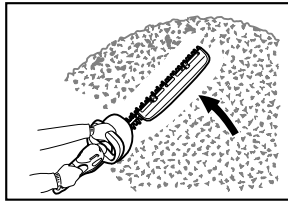


12 009406



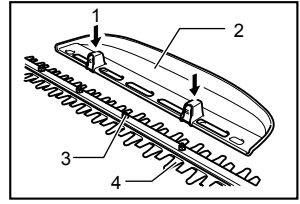
13

009407



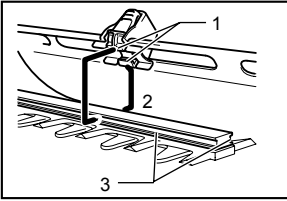
14

009408



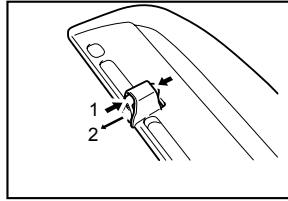
15

009290



16

009292



17

009293

ENGLISH (Original instructions)

Explanation of general view

| | | |
|-----------------------|-----------------------------------|-------------------------------------|
| 1-1. Switch trigger B | 6-1. Holder | 15-3. Nut |
| 1-2. Switch trigger A | 6-2. Arm cord hook band | 15-4. Shear blade |
| 1-3. Switch trigger C | 10-1. Trimming direction | 16-1. Hooks |
| 4-1. Hook complete | 10-2. Tilt the blades | 16-2. Fit the hooks into groove |
| 4-2. Tool's cord | 10-3. Hedge surface to be trimmed | 16-3. Grooves |
| 4-3. Extension cord | 11-1. String | 17-1. Press the hooks on both sides |
| 5-1. Holder | 15-1. Press | 17-2. Unlock the hooks |
| 5-2. Cord | 15-2. Chip receiver | |

SPECIFICATIONS

| Model | UH4261 | UH4861 | UH5261 |
|---|--------|--------|--------|
| Blade length | 420 mm | 480 mm | 520 mm |
| Strokes per minute (min ⁻¹) | 1,600 | 1,600 | 1,600 |
| Overall length | 821 mm | 871 mm | 921 mm |
| Net weight | 2.9 kg | 3.0 kg | 3.0 kg |
| Safety class | □/II | | |

- Due to our continuing programme of research and development, the specifications herein are subject to change without notice.
- Specifications may differ from country to country.
- Weight according to EPTA-Procedure 01/2003

END220-4

Symbol

The following show the symbols used for the equipment. Be sure that you understand their meaning before use.



- Read instruction manual.



- DOUBLE INSULATION



- Do not expose to rain.



- Remove plug from the mains immediately if the cable is damaged or cut.



- Only for EU countries
Do not dispose of electric equipment together with household waste material! In observance of European Directive 2002/96/EC on waste electric and electronic equipment and its implementation in accordance with national law, electric equipment that have reached the end of their life must be collected separately and returned to an environmentally compatible recycling facility.

ENE014-1

Intended use

The tool is intended for trimming hedges.

ENF002-1

Power supply

The tool should be connected only to a power supply of the same voltage as indicated on the nameplate, and can only be operated on single-phase AC supply. They are double-insulated in accordance with European

Standard and can, therefore, also be used from sockets without earth wire.

ENG905-1

Noise

The typical A-weighted noise level determined according to EN60745:

Sound pressure level (L_{pA}): 82 dB(A)

Sound power level (L_{WA}): 93 dB(A)

Uncertainty (K): 2.1 dB(A)

Wear ear protection

ENG900-1

Vibration

The vibration total value (tri-axial vector sum) determined according to EN60745:

Work mode : hedge trimming

Vibration emission (a_h): 6.7 m/s²

Uncertainty (K): 1.5 m/s²

ENG901-1

- The declared vibration emission value has been measured in accordance with the standard test method and may be used for comparing one tool with another.
- The declared vibration emission value may also be used in a preliminary assessment of exposure.

WARNING:

- The vibration emission during actual use of the power tool can differ from the declared emission value depending on the ways in which the tool is used.

- Be sure to identify safety measures to protect the operator that are based on an estimation of exposure in the actual conditions of use (taking account of all parts of the operating cycle such as the times when the tool is switched off and when it is running idle in addition to the trigger time).

ENH021-6

For European countries only

EC Declaration of Conformity

We Makita Corporation as the responsible manufacturer declare that the following Makita machine(s):

Designation of Machine:

Hedge Trimmer

Model No./ Type: UH4261, UH4861, UH5261

Specifications: see "SPECIFICATIONS" table.

are of series production and

Conforms to the following European Directives:

2000/14/EC, 2006/42/EC

And are manufactured in accordance with the following standards or standardised documents:

EN60745

The technical documentation is kept by our authorised representative in Europe who is:

Makita International Europe Ltd.

Michigan Drive, Tongwell,

Milton Keynes, Bucks MK15 8JD, England

The conformity assessment procedure required by Directive 2000/14/EC was in Accordance with annex V.

Measured Sound Power Level: 93dB (A)

Guaranteed Sound Power Level: 96dB (A)

23.07.2010



000230

Tomoyasu Kato

Director

Makita Corporation

3-11-8, Sumiyoshi-cho,

Anjo, Aichi, 446-8502, JAPAN

GEA010-1

General Power Tool Safety Warnings

⚠ WARNING Read all safety warnings and all instructions. Failure to follow the warnings and instructions may result in electric shock, fire and/or serious injury.

Save all warnings and instructions for future reference.

HEDGE TRIMMER SAFETY WARNINGS

1. **Hold the power tool by insulated gripping surfaces only, because the cutter blade may contact hidden wiring or its own cord.** Cutter blades contacting a "live" wire may make exposed metal parts of the power tool "live" and could give the operator an electric shock.
2. **Keep all parts of the body away from the cutter blade. Do not remove cut material or hold material to be cut when blades are moving. Make sure the switch is off when clearing jammed material.** A moment of inattention while operating the hedge trimmer may result in serious personal injury.
3. **Carry the hedge trimmer by the handle with the cutter blade stopped. When transporting or storing the hedge trimmer always fit the cutting device cover.** Proper handling of the hedge trimmer will reduce possible personal injury from the cutter blades.
4. **Keep cable away from cutting area.** During operation the cable may be hidden in shrubs and can be accidentally cut by the blade.
5. Do not use the hedge trimmer in the rain or in wet or very damp conditions. The electric motor is not waterproof.
6. First-time users should have an experienced hedge trimmer user show them how to use the trimmer.
7. The hedge trimmer must not be used by children or young persons under 18 years of age. Young persons over 16 years of age may be exempted from this restriction if they are undergoing training under the supervision of an expert.
8. Use the hedge trimmer only if you are in good physical condition. If you are tired, your attention will be reduced. Be especially careful at the end of a working day. Perform all work calmly and carefully. The user is responsible for all damages to third parties.
9. Never use the trimmer when under the influence of alcohol, drugs or medication.
10. Check to make sure that the voltage and frequency of the power supply correspond to the specifications given on the identification plate. We recommend the use of a residual-current-operated circuit breaker (ground-fault circuit interrupter) with a tripping current of 30 mA or less, or an earth leakage current protector.
11. Work gloves of stout leather are part of the basic equipment of the hedge trimmer and must always be worn when working with it. Also wear sturdy shoes with anti-skid soles.

12. Before starting work check to make sure that the trimmer is in good and safe working order. Ensure guards are fitted properly. Check cable for damage before starting work and replace if necessary. The hedge trimmer must not be used unless fully assembled.
13. Keep cable away from the cutting area. Always work in such a way that the extension power cord is behind you.
14. Remove plug from the mains immediately if cable is damaged or cut.
15. Make sure you have a secure footing before starting operation.
16. Hold the tool firmly when using the tool.
17. Do not operate the tool at no-load unnecessarily.
18. Immediately switch off the motor and unplug the mains plug if the cutter should come into contact with a fence or other hard object. Check the cutter for damage, and if damaged repair immediately.
19. Before checking the cutter, taking care of faults, or removing material caught in the cutter, always switch off the trimmer and unplug the mains plug.
20. Switch off the trimmer and disconnect and secure the mains plug before doing any maintenance work.
21. When moving the hedge trimmer to another location, including during work, always unplug the mains plug and put the blade cover on the cutter blades. Never carry or transport the trimmer with the cutter running. Never grasp the cutter with your hands.
22. Clean the hedge trimmer and especially the cutter after use, and before putting the trimmer into storage for extended periods. Lightly oil the cutter and put on the cover. The cover supplied with the unit can be hung on the wall, providing a safe and practical way to store the hedge trimmer.
23. Store the hedge trimmer with the cover on, in a dry room. Keep it out of reach of children. Never store the trimmer outdoors.
24. **Do not operate the tool at no-load unnecessarily.**

SAVE THESE INSTRUCTIONS.

⚠WARNING:

DO NOT let comfort or familiarity with product (gained from repeated use) replace strict adherence to safety rules for the subject product. MISUSE or failure to follow the safety rules stated in this instruction manual may cause serious personal injury.

FUNCTIONAL DESCRIPTION

⚠CAUTION:

- Always be sure that the tool is switched off and unplugged before adjusting or checking function on the tool.
- Put the blade cover on the shear blades before adjusting or checking function on the tool.

Switch action

Fig.1

For your safety, this tool is equipped with a triple switching system. To turn on the tool, press switch trigger B and press switch trigger A or C at the same time. Release either one of the two pressed switch triggers to turn off. The sequence of switching is unimportant as the tool only starts when both switches are activated.

Straight cut

Fig.2

To trim the hedge straight, pull switch triggers A and B.

Vertical cut

Fig.3

Cut upwards with both hands pull the switch triggers B and C and move it in front of your body.

ASSEMBLY

⚠CAUTION:

- Always be sure that the tool is switched off and unplugged before carrying out any work on the tool.

Engage the extension cord

⚠CAUTION:

- Make sure that the extension cord is unplugged to the mains outlet.

Fig.4

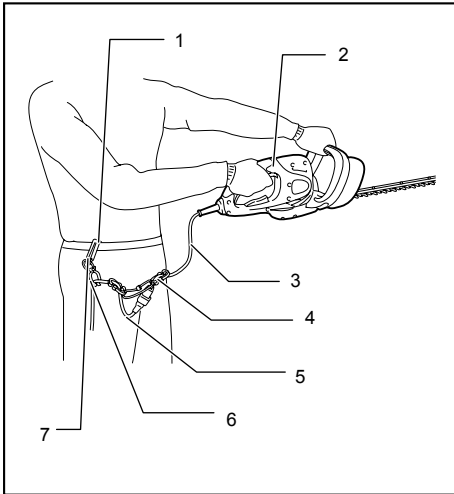
When engaging the extension cord, secure it to the tool's cord with the hook complete. Attach the hook about 100 - 200 mm from the extension cord connector. This will help prevent unintentional disconnection.

Waist cord hook

⚠CAUTION:

- Do not attach the holder of waist cord hook to other than the extension cord. Do not attach it in a position closer to the tool beyond the hook complete. Failure to do so may cause an accident or personal injury.
- Attach firmly one hook of the hook complete to the tool's cord and the other hook of hook complete to the extension cord. Working with the tool with a sole hook only attached may cause an accident and injury.

Using the waist cord hook helps to minimizing a risk of cutting off the extension cord unexpectedly caused by the loose extension cord.



1. Hook
2. Tool
3. Tool's cord
4. Hook complete
5. Extension cord
6. Holder
7. Waist cord hook

009401

Fig.5

Press in or pull out the cord through the opening of the holder.

⚠CAUTION:

- Do not force the opening of the holder. Failure to do so may cause deflection and damage to it.

Arm cord hook (Accessory)

⚠CAUTION:

- Do not attach the holder of arm cord hook to other than the extension cord. Do not attach it in a position closer to the tool beyond the hook complete hooks. Failure to do so may cause an accident or personal injury.
- Attach firmly one hook of the hook complete to the tool's cord and the other hook of hook complete to the extension cord. Working with the tool with a sole hook only attached may cause an accident and injury.

Using the arm cord hook helps to minimize a risk of cutting off the extension cord unexpectedly caused by the loose extension cord.

Fig.6

Attach firmly the arm cord hook band placing around your arm and pass the extension cord through the holder. The length of the arm cord hook band is adjustable.

NOTE:

- Do not pass the extension cord through the band.
- Do not force the opening of the holder. Failure to do so may cause deflection and damage to it.
- Using the arm cord hook together with the waist cord hook is more helpful.

OPERATION

⚠CAUTION:

- Be careful not to accidentally contact a metal fence or other hard objects while trimming. The blade will break and may cause serious injury.
- Overreaching with a hedge trimmer, particularly from a ladder, is extremely dangerous. Do not work from anything wobbly or infirm.

Fig.7

Do not attempt to cut branches thicker than 10 mm diameter with this trimmer. These should first be cut with shears down to the hedge trimming level.

⚠CAUTION:

- Do not cut off dead trees or similar hard objects. Failure to do so may damage the tool.

Fig.8

Hold the trimmer with both hands pull the switch trigger A or B and move it in front of your body.

Fig.9

Fig.10

As a basic operation, tilt the blades towards the trimming direction and move it calmly and slowly at the speed rate of 3 - 4 seconds per meter.

Fig.11

To cut a hedge top evenly, it helps to tie a string at the desired hedge height and to trim along it, using it as a reference line.

Fig.12

Attaching the chip receiver (accessory) on the tool when trimming the hedge straight can avoid cut off leaves' being thrown away.

Fig.13

To cut a hedge side evenly, it helps to cut from the bottom upwards.

Fig.14

Trim boxwood or rhododendron from the base toward the top for a nice appearance and good job.

Installing or removing chip receiver (accessory)

⚠CAUTION:

- Always be sure that the tool is switched off and unplugged before installing or removing chip receiver.

NOTE:

- When replacing the chip receiver, always wear gloves so that hands and face does not directly contact the blade. Failure to do so may cause personal injury.
- Always be sure to remove the blade cover before installing the chip receiver.
- The chip receiver receives cut-off leaves and alleviates collecting thrown-away leaves. This can be installed on either side of the tool.

Fig.15**Fig.16**

At this time, the chip receiver needs to be installed so that its hooks fit into grooves in the shear blade unit.

Fig.17

To remove the chip receiver, press its lever on both sides so that the hooks are unlocked.

⚠CAUTION:

- The blade cover (standard equipment) cannot be installed on the tool with the chip receiver being installed. Before carrying or storing, uninstall the chip receiver and then install the blade cover to avoid blade exposure.

NOTE:

- Check the chip receiver for secure installment before use.
- Never try to uninstall the chip receiver by an excessive force with its hooks locked in the blade unit grooves. Using the excessive force may damage it.

MAINTENANCE

⚠CAUTION:

- Always be sure that the tool is switched off and unplugged before attempting to perform inspection or maintenance.

Cleaning the tool

Clean out the tool by wiping off dust with a dry or soap-dipped rag.

⚠CAUTION:

- Never use gasoline, benzine, thinner, alcohol or the like. Discoloration, deformation or cracks may result.

Blade maintenance

Smear the blade before and once per half an hour during operation using machine oil or similars.

After operation, remove dust from both sides of the blade with wired brush, wipe off it with a rag and then apply enough low-viscosity oil, such as machine oil etc. and spray-type lubricating oil.

⚠CAUTION:

- Do not wash the blades in water. Failure to do so may cause rust or damage on the tool.
- Wear gloves when performing the blade maintenance.

Storage

Put the blade cover on the shear blades so that the blades are not exposed. Store the tool out of the reach of children carefully.

Store the tool in the place not exposed to water and rain. To maintain product SAFETY and RELIABILITY, repairs, carbon brush inspection and replacement, any other maintenance or adjustment should be performed by Makita Authorized Service Centers, always using Makita replacement parts.

OPTIONAL ACCESSORIES

⚠CAUTION:

- These accessories or attachments are recommended for use with your Makita tool specified in this manual. The use of any other accessories or attachments might present a risk of injury to persons. Only use accessory or attachment for its stated purpose.

If you need any assistance for more details regarding these accessories, ask your local Makita Service Center.

- Blade cover
- Hook complete
- Waist cord hook
- Arm cord hook
- Chip receiver

NOTE:

- Some items in the list may be included in the tool package as standard accessories. They may differ from country to country.

УКРАЇНСЬКА (Оригінальні інструкції)

Пояснення до загального виду

| | | |
|--------------------------|---|---------------------------------------|
| 1-1. Курковий вмикач В | 6-1. Тримач | 15-2. Уловлювач скалок |
| 1-2. Курковий вмикач А | 6-2. Наплічний ремінь для кабелю | 15-3. Гайка |
| 1-3. Курковий вмикач С | 10-1. Напрямок підрізування | 15-4. Ножове полотно |
| 4-1. З'єднувальний гачок | 10-2. Нахилить полотно | 16-1. Кріплення |
| 4-2. Кабель інструменту | 10-3. Поверхня живоплоту, яку необхідно підрізати | 16-2. З'єднайте гачки з пазом |
| 4-3. Шнур подовжувач | 11-1. Шнурок | 16-3. Паз |
| 5-1. Тримач | 15-1. Натиснути | 17-1. Натисніть на гачки з обох боків |
| 5-2. Кабель | | 17-2. Від'єднайте гачки |

ТЕХНІЧНІ ХАРАКТЕРИСТИКИ

| Модель | UH4261 | UH4861 | UH5261 |
|---|--------|--------|--------|
| Довжина полотна | 420 мм | 480 мм | 520 мм |
| Швидкість ланцюга за хвилину (хв. ⁻¹) | 1600 | 1600 | 1600 |
| Загальна довжина | 821 мм | 871 мм | 921 мм |
| Чиста вага | 2,9 кг | 3,0 кг | 3,0 кг |
| Клас безпеки | | II/II | |

- Через те, що ми не припиняємо програми досліджень і розвитку, наведені тут технічні характеристики можуть бути змінені без попередження.
- У різних країнах технічні характеристики можуть бути різними.
- Вага відповідно до EPTA-Procedure 01/2003

END220-4

ENF002-1

Умове позначення

Далі наведені символи, які застосовуються для позначення обладнання. Перед користуванням переконайтеся, що Ви розумієте їхнє значення.



- Прочитайте інструкцію з експлуатації.



- ПОДВІЙНА ІЗОЛЯЦІЯ



- Не залишайте інструмент під дощем.



- Якщо кабель пошкоджений або відрізаний, негайно від'єднайте вилку від електричної мережі.



- Тільки для країн ЄС
Не викидайте електричне обладнання разом з побутовим сміттям!

Відповідно до Європейської директиви 2002/96/ЕС про утилізацію електричного та електронного обладнання та її застосуванням згідно з нормами національного законодавства, електрообладнання, яке вийшло з ладу, необхідно збирати окремо та відправляти на переробне підприємство, яке відповідає вимогам охорони довкілля.

ENE014-1

Призначення

Інструмент призначено для підрізки живоплоту.

Джерело живлення

Інструмент можна підключати лише до джерела струму, що має напругу, зазначену в таблиці з заводськими характеристиками, і він може працювати лише від однофазного джерела перемінного струму. Інструмент має подвійну ізоляцію згідно з європейським стандартом і, отже, може підключатися до розеток без класу заземлення.

ENG905-1

Шум

Рівень шуму за шкалою А у типовому виконанні, визначений відповідно до EN60745:

Рівень звукового тиску (L_{pA}): 82 дБ(А)

Рівень акустичної потужності (L_{WA}): 93 дБ(А)

Похибка (K): 2,1 дБ(А)

Користуйтеся засобами захисту слуху

ENG900-1

Вібрація

Загальна величина вібрації (сума трьох векторів) визначена згідно з EN60745:

Режим роботи: підстригання живої огорожі

Вібрація ($a_{\text{род}}$): 6,7 м/с²

Похибка (K): 1,5 м/с²

ENG901-1

- Заявлене значення вібрації було виміряно у відповідності до стандартних методів тестування та може використовуватися для порівняння одного інструмента з іншим.

- Заявлене значення вібрації може також використовуватися для попередньої оцінки впливу.

⚠УВАГА:

- Залежно від умов використання вібрація під час фактичної роботи інструмента може відрізнятись від заявленого значення вібрації.
- Забезпечте належні запобіжні заходи для захисту оператора, що відповідатимуть умовам використання інструмента (слід брати до уваги всі складові робочого циклу, такі як час, коли інструмент вимкнено та коли він починає працювати на холостому ході під час запуску).

ENH021-6

Тільки для країн Європи

Декларація про відповідність стандартам ЄС

Наша компанія, **Makita Corporation**, як відповідальний виробник, наголошує на тому, що обладнання **Makita**:

Позначення обладнання:

Ланцюгова пила для підрізування живоплоту

№ моделі / тип: УН4261, УН4861, УН5261

Технічні характеристики: див. Таблицю "ТЕХНІЧНІ ХАРАКТЕРИСТИКИ".

є серійним виробництвом та

Відповідає таким Європейським Директивам:

2000/14/ЄС, 2006/42/ЄС

Та вироблені у відповідності до таких стандартів та стандартизованих документів:

EN60745

Технічна документація знаходиться у нашого уповноваженого представника в Європі, а саме:

Makita International Europe Ltd,

Michigan Drive, Tongwell,

Milton Keynes, Bucks MK15 8JD, Англія

Процедура оцінки відповідності, яка вимагається Директивою 2000/14/ЄС, відбулася згідно з додатком додатку V.

Вимірний рівень акустичної потужності: 93дБ (А)

Гарантований рівень акустичної потужності: 96дБ (А)

23.07.2010



Tomoyasu Kato

Директор

Makita Corporation

3-11-8, Sumiyoshi-cho,

Anjo, Aichi, 446-8502, ЯПОНІЯ

000230

Застереження стосовно техніки безпеки при роботі з електроприладами

⚠ УВАГА! Прочитайте усі застереження стосовно техніки безпеки та всі інструкції. Недотримання даних застережень та інструкцій може призвести до ураження струмом та виникнення пожежі та/або серйозних травм.

Збережіть усі інструкції з техніки безпеки та експлуатації на майбутнє.

GEB041-8

ПОПЕРЕДЖЕННЯ ПРО НЕОБХІДНУ ОБЕРЕЖНІСТЬ ПІД ЧАС РОБОТИ З ЛАНЦЮГОВОЮ ПИЛОЮ

1. Електроінструмент слід тримати тільки за ізольовані поверхні держака, оскільки ріжуче полотно може зачепити сховану електропроводку. Торкання ріжучим полотном струмоведучої проводки може призвести до передання напруги до оголених металевих частин електроінструмента та до ураження оператора електричним струмом.
2. Тримайте всі частини тіла на відстані від ріжучого полотна. Не зчищайте зрізаний матеріал і не притримуйте матеріал, який Ви хочете зрізати, під час руху полотна. Обов'язково переконайтеся в тому, що вимикач стоїть у положенні «Вимкнено» при віддаленні застряглого матеріалу. Одна мить необережності при експлуатації ланцюгової пили може призвести до серйозної травми.
3. При перенесенні тримайте ланцюгову пилу за руків'я при нерухомому ріжучому полотні. При транспортуванні або зберіганні інструменту завжди закривайте полотно кришкою. Правильне поводження з інструментом зменшить ризик травмування ланцюгом.
4. Тримайте кабель на відстані від зони підрізування. Під час експлуатації Ви можете не помітити кабель у заростях та випадково перерізати його пилою.
5. Не використовуйте ланцюгову пилу під час дощу або за умов високої вологості або сирості. Електричний двигун не є водостійким.
6. Користувачі-початківці повинні мати досвідченого користувача, який зміг би показати, як правильно працювати з інструментом.

7. Дітям та підліткам молодше 18 років забороняється користуватися ланцюговою пилою. Цю заборону може бути знято з юнаків віком старших 16 років під час проходження практики під наглядом майстра.
8. Працювати з пилою можна, лише якщо Ви у хорошому фізичному стані. Якщо Ви втомлені, Ваша увага знижена. Будьте особливо обережними наприкінці робочого дня. Всю роботу слід виконувати спокійно та обережно. Користувач несе відповідальність за будь-яку шкоду, завдану третім сторонам.
9. Забороняється працювати з пилою після вживання алкоголю, ліків або медичних препаратів.
10. Переконайтеся в тому, що напруга та частота джерела струму відповідають специфікаціям на паспортній табличці. Ми рекомендуємо використовувати пристрій захисного відключення (переривач замикання на землю) зі струмом вимикання 30 мА або нижче, або запобіжник витікання струму на землю.
11. Робочі рукавиці з міцної гуми входять до набору обладнання ланцюгової пили; обов'язково одягайте їх при роботі з нею. Взуття повинно бути міцним, з нековзними підшвами.
12. Перед початком роботи перевірте, чи справна пила та чи знаходиться вона у хорошому робочому стані. Перевірте, чи правильно закріплені запобіжні деталі корпусу. Перед початком роботи перевірте кабель на предмет пошкодження; при необхідності замініть його. Забороняється використовувати ланцюгову пилу, якщо вона неповністю зібрана.
13. Тримайте кабель на відстані від зони підрізання. При експлуатації пили кабель-подовжувач повинен завжди знаходитися позаду Вас.
14. Негайно вийміть штепсель з мережі живлення при пошкодженні або перерізуванні кабелю.
15. Перед початком роботи переконайтеся, що Ви стоїте на надійній поверхні.
16. Під час роботи тримайте інструмент міцно.
17. Не слід дуже довго залишати інструмент працювати на холостому ході.
18. Негайно вимкніть двигун та вийміть штепсель з мережі живлення, якщо ріжуче полотно доторкнеться до паркану або до іншого твердого предмету. Перевірте ріжуче полотно на предмет пошкодження; при пошкодженні – негайно полагодьте його.
19. Перед перевіркою ріжучого пристрою, усуненням неполадок або усуненням матеріалу, застряглого у ріжучому полотні, завжди вимикайте пилу та виймайте штепсель з мережі живлення.
20. Вимикайте пилу та обов'язково від'єднуйте штепсель перед проведенням будь-якої роботи з технічного обслуговування.
21. Під час переміщення пили для підрізання живоплоту у інше місце, зокрема під час роботи, завжди виймайте штепсель з мережі живлення та встановлюйте на ножове полотно кришку ножевого полотна. Ніколи не переносьте та не перевозьте пилу для підрізання живоплоту з працюючим ріжучим пристроєм. Ніколи не тримайтеся за ріжучий пристрій руками.
22. Почистіть ланцюгову пилу, а особливо ріжуче полотно після використання та перед тим, як покласти інструмент для довготривалого зберігання. Злегка змастіть ріжуче полотно та накрийте його кришкою. Кришку, що додається до обладнання, можна повісити на стіні, що забезпечує безпечне та практичне зберігання ланцюгової пили.
23. Зберігайте ланцюгову пилу у чохлах у сухому приміщенні. Тримайте інструмент у місці, недоступному для дітей. Ланцюгову пилу забороняється зберігати на відкритому повітрі.
24. **Не слід дуже довго залишати інструмент працювати на холостому ході**

ЗБЕРІГАЙТЕ ЦІ ВКАЗІВКИ

⚠УВАГА:

НІКОЛИ НЕ СЛІД втрачати пильності та розслаблятися під час користування виробом (що приходить при частому використанні); **слід завжди строго дотримуватися правил безпеки під час використання цього пристрою. НЕНАЛЕЖНЕ ВИКОРИСТАННЯ** або **недотримання правил безпеки, викладених в цьому документі, може призвести до серйозних травм.**

ІНСТРУКЦІЯ З ВИКОРИСТАННЯ

⚠ОБЕРЕЖНО:

- Перед регулюванням та перевіркою справності інструменту, переконайтеся в тому, що він вимкнений та відключений від мережі.
- Перед регулюванням та перевіркою справності інструменту встановіть на ножове полотно кришку ножового полотна.

Дія вимикача.

Fig.1

Для Вашої безпеки інструмент обладнано потрійною системою вимкнення. Щоб увімкнути інструмент, одночасно натисніть на курковий вмикач В та курковий вмикач А або С. Щоб відключити інструмент, відпустіть один з двох натиснутих куркових вмикачів. Послідовність натискання вмикачів ролі не відіграє, тому що інструмент буде запущений тільки після натискання двох вмикачів.

Пряме підрізування

Fig.2

Для виконання прямого підрізування задійте куркові вмикачі А та В.

Вертикальне підрізування

Fig.3

Щоб провести підрізування у напрямку догори, обома руками натисніть на куркові вмикачі В та С та підріжте живопліт перед собою.

КОМПЛЕКТУВАННЯ

⚠ОБЕРЕЖНО:

- Перед тим, як зайнятися комплектуванням інструменту, переконайтеся в тому, що він вимкнений та відключений від мережі.

Використовуйте шнур-подовжувач.

⚠ОБЕРЕЖНО:

- Обов'язково вимкніть з розетки шнур-подовжувач.

Fig.4

При використанні шнура-подовжувача скріпіть його з кабелем інструменту за допомогою з'єднувального гачка. Приєднуйте гачок на відстані 100 - 200 мм від шнура-подовжувача: це забезпечить його від випадкового відключення.

Напоясне кріплення для кабелю

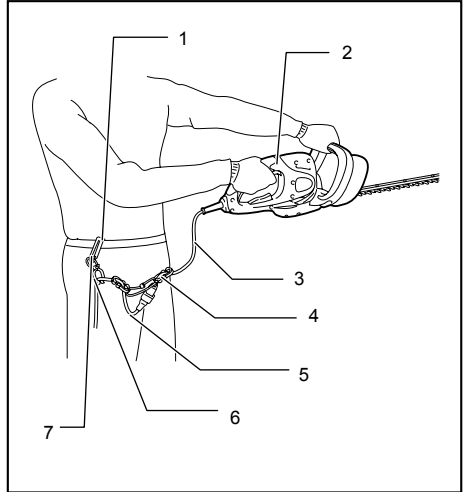
⚠ОБЕРЕЖНО:

- Приєднуйте фіксатор напоясного кріплення для кабелю лише до шнура-подовжувача. Не приєднуйте його ближче до інструменту, перед з'єднувальним гачком. Недотримання цієї інструкції може призвести до нещасного випадку або травмування.

випадку або травмування.

- Міцно приєднайте одне кріплення з'єднувального гачка до кабелю інструмента, а інше кріплення з'єднувального гачка – до шнура-подовжувача. Робота з лише одним приєднаним кріпленням може призвести до нещасного випадку та травмування.

Використання напоясного кріплення для кабелю допомагає мінімізувати ризик випадкового перерізування шнура-подовжувача через ненапружений шнур-подовжувач.



1. Скоба
2. Інструмент
3. Кабель інструменту
4. З'єднувальний гачок
5. Шнур подовжувач
6. Тримач
7. На поясне кріплення для кабелю

Fig.5

Натисніть всередину або витягніть кабель через отвір фіксатора.

⚠ОБЕРЕЖНО:

- Не прикладайте силу до отвору фіксатора. Недотримання цієї інструкції може призвести до його деформації та пошкодження.

Наплічне кріплення для кабелю (додаткове обладнання)

⚠ОБЕРЕЖНО:

- Приєднуйте фіксатор наплічного кріплення для кабелю лише до шнура-подовжувача. Не приєднуйте його ближче до інструменту, перед кріпленнями з'єднувального гачка. Недотримання цієї інструкції може призвести до нещасного випадку або травмування.

- Міцно приєднайте одне кріплення з'єднувального гачка до кабелю інструмента, а інше кріплення з'єднувального гачка – до шнура-подовжувача. Робота з лише одним приєднаним кріпленням може призвести до нещасного випадку та травмування.

Використання наплічного кріплення для кабелю допомагає мінімізувати ризик випадкового перерізання шнура-подовжувача через ненацягнутий шнур-подовжувач.

Fig.6

Міцно приєднайте наплічний ремінь для кабелю, одягнувши його на плече, та проведіть шнур-подовжувач через фіксатор. Довжину наплічного ременя для кабелю можна регулювати.

ПРИМІТКА:

- Не проводьте шнур-подовжувач через ремінь.
- Не прикладайте силу до отвору фіксатора. Недотримання цієї інструкції може призвести до його деформації та пошкодження.
- Рекомендується використовувати наплічне кріплення для кабелю разом з на поясным кріпленням для кабелю.

ЗАСТОСУВАННЯ

⚠ОБЕРЕЖНО:

- Будьте обережні: не допускайте випадкового контакту з металом або іншими твердими предметами під час проведення підрізування. Ріжуче полотно може зламатися та завдати серйозної травми.
- Не працюйте з ланцюговою пилою, дотягуючись до віддалених зон, особливо стоячи на драбині: це надзвичайно небезпечно. Під час роботи не стійте на нестійкій або неміцній поверхні.

Fig.7

Не намагайтеся зрізати ланцюговою пилою гілки, товщі за 10 мм у діаметрі. Такі гілки слід спочатку зрізати садовими ножицями до рівня, відповідного можливостям ланцюгової пили.

⚠ОБЕРЕЖНО:

- Не зрізайте засохлі дерева чи інші подібні тверді предмети. Недотримання цієї інструкції може призвести до пошкодження інструменту.

Fig.8

Тримайте ланцюгову пилу обома руками, натисніть на куркові вмикачі А та В та проведіть зрізування перед собою.

Fig.9

Fig.10

У порядку стандартної дії при роботі, нахиліть ріжуче полотно у напрямку проведення підрізування, рухайте ним спокійно та повільно при швидкості з

розрахунку 3 - 4 секунди на метр.

Fig.11

Щоб рівномірно підрізати верхню частину живоплоту, рекомендується прив'язати мотузку на бажаній висоті живоплоту та провести підрізування вздовж неї, використовуючи її у якості орієнтиру.

Fig.12

Приєднання до інструменту уловлювача скалок (додаткове обладнання) при проведенні прямого підрізування може допомогти уникнути розкидання зрізаного листа.

Fig.13

Щоб рівномірно підрізати бокову частину живоплоту, рекомендується проводити підрізування у напрямку знизу вгору.

Fig.14

Підрізайте самшит або рододендрон у напрямку від основи догори, щоб у результаті досягнути гарного вигляду та отримати хороші результати роботи.

Установка та знімання уловлювача скалок (додаткове обладнання)

⚠ОБЕРЕЖНО:

- Перед установкою або зніманням уловлювача скалок обов'язково вимкніть інструмент та від'єднайте його від мережі живлення.

ПРИМІТКА:

- При заміні уловлювача скалок завжди одягайте рукавиці, щоб уникнути прямого контакту рук та обличчя з ріжучим полотном. Недотримання цієї інструкції може призвести до травмування.
- Перед встановленням уловлювача скалок завжди знімайте кришку ножового полотна.
- Уловлювач скалок уловлює зрізане листя і полегшує збирання зрізаного листа. Його можна встановити з будь-якого боку інструменту.

Fig.15

Fig.16

При цьому уловлювач скалок необхідно встановити таким чином, щоб його гачки увійшли в пази на механізмі ножового полотна.

Fig.17

Для того щоб зняти уловлювач скалок, натисніть на його важіль з обох боків, так щоб його гачки від'єдналися.

⚠ОБЕРЕЖНО:

- Кришка ножового полотна (стандартне обладнання) не може бути встановлений на інструмент, якщо на ньому встановлено уловлювач скалок. Перед перенесенням або зберіганням інструменту зніміть уловлювач скалок, після чого закрийте ножове полотно чохлом.

ПРИМІТКА:

- Перевірте, чи надійно встановлено уловлювач скалок, перед тим як почати роботу.
- Ніколи не намагайтеся зняти уловлювач скалок, прикладаючи надмірну силу, щоб від'єднати його гачки від пазів ріжучого механізму: використання надмірної сили може призвести до його пошкодження.

ТЕХНІЧНЕ ОБСЛУГОВУВАННЯ

⚠ОБЕРЕЖНО:

- Перед тим, як оглянути інструмент, або виконати ремонт, переконайтеся, що він вимкнений та відключений від мережі.

Чистка інструменту

Проводьте чистку інструменту, витираючи пил сухою або змоченою в милі ганчіркою.

⚠ОБЕРЕЖНО:

- Ніколи не використовуйте газолін, бензин, розріджувач, спирт та подібні речовини. Їх використання може призвести до зміни кольору, деформації та появи тріщин.

Технічне обслуговування ножового полотна

Перед використанням та через кожні півгодини роботи змащуйте ножове полотно машинним мастилом чи подібною речовиною.

По закінченню роботи усуньте пил з обох боків полотна дротяною щіткою, протріть його ганчіркою, після чого нанесіть достатню кількість малов'язкого мастила, такого як машинне мастило і т. п. та розпилене мастило.

⚠ОБЕРЕЖНО:

- Не мийте ріжуче полотно у воді. Недотримання цієї інструкції може призвести до утворення іржі та пошкодження інструменту.
- Під час проведення технічного обслуговування ножового полотна слід вдягати рукавиці.

Зберігання

Встановіть кришку на ножове полотно, так щоб закрити його. Зберігайте інструмент у місці, недоступному для дітей.

Зберігайте інструмент у місці, що не зазнає впливу води та дощу.

Для того, щоб підтримувати БЕЗПЕКУ та НАДІЙНІСТЬ, ремонт, огляд та заміну вугільних щіток, будь-яке інше технічне обслуговування або регулювання мають виконувати уповноважені центри обслуговування "Макіта", де використовуються лише стандартні запчастини "Макіта".

ДОДАТКОВЕ ПРИЛАДДЯ

⚠ОБЕРЕЖНО:

- Це оснащення або приладдя рекомендовано для використання з інструментами "Макіта", що описані в інструкції з експлуатації. Використання якогось іншого оснащення або приладдя може спричинити травмування. Оснащення або приладдя слід використовувати лише за призначенням.

У разі необхідності, отримати допомогу в більш детальному ознайомленні з оснащенням звертайтеся до місцевого Сервісного центру "Макіта".

- Кришка полотна
- З'єднувальний гачок
- Напоясне кріплення для кабелю
- Наплічне кріплення для кабелю
- Уловлювач скалок

ПРИМІТКА:

- Деякі елементи списку можуть входити до комплекту інструмента як стандартне приладдя. Вони можуть відрізнятися залежно від країни.

POLSKI (Oryginalna instrukcja)

Objaśnienia do widoku ogólnego

| | | |
|---|---|---------------------------------------|
| 1-1. Język spustowy przełącznika B | 6-1. Uchwyt | 15-2. Deflektor liści |
| 1-2. Język spustowy przełącznika A | 6-2. Taśma zaczepu na pasek naramienny | 15-3. Nakrętka |
| 1-3. Język spustowy przełącznika C | | 15-4. Noże |
| 4-1. Zestaw zaczepów do mocowania kabli | 10-1. Kierunek przycinania | 16-1. Haczyki |
| 4-2. Kabel zasilający narzędzia | 10-2. Kąt pochylecia noży | 16-2. Włóż haczyki do rowków |
| 4-3. Przedłużacz | 10-3. Przycinana powierzchnia żywoplotu | 16-3. Rowki |
| 5-1. Uchwyt | 11-1. Sznurek | 17-1. Ściśnij haczyki po obu stronach |
| 5-2. Kabel | 15-1. Docisnąć | 17-2. Odczep haczyki |

SPECYFIKACJE

| Model | UH4261 | UH4861 | UH5261 |
|---|--------|--------|--------|
| Długość belki nożowej | 420 mm | 480 mm | 520 mm |
| Liczba oscylacji na minutę (min ⁻¹) | 1 600 | 1 600 | 1 600 |
| Długość całkowita | 821 mm | 871 mm | 921 mm |
| Ciężar netto | 2,9 kg | 3,0 kg | 3,0 kg |
| Klasa bezpieczeństwa | II/II | | |

- W związku ze stale prowadzonym przez naszą firmę programem badawczo-rozwojowym, niniejsze specyfikacje mogą ulec zmianom bez wcześniejszego powiadomienia.
- Specyfikacje mogą różnić się w zależności od kraju.
- Waga obliczona zgodnie z procedurą EPTA 01/2003

END220-4

ENF002-1

Symbol

Poniżej pokazano symbole zastosowane na urządzeniu. Przed użyciem należy zapoznać się z ich znaczeniem.



- Przeczytać instrukcję obsługi.



- PODWÓJNA IZOLACJA



- Należy chronić przed deszczem.



- Jeśli kabel zostanie uszkodzony lub przecięty, jego wtyczkę należy natychmiast wyciągnąć z gniazda.



- Tylko dla krajów UE
Nie usuwać sprzętu elektrycznego razem z innymi odpadami gospodarstwa domowego!

Przestrzegając Europejskiej Dyrektywy 2002/96/EC o odpadach elektrycznych i elektronicznych oraz jej wprowadzenia w życie zgodnie z prawem narodowym, sprzęt elektryczny o zakończonym okresie eksploatacyjnym należy gromadzić oddzielnie i zwracać do organizacji zajmujących się zbieraniem zużytego sprzętu.

ENE014-1

Przeznaczenie

Narzędzie to jest przeznaczone do przycinania żywoplotów.

Zasilanie

Elektronarzędzie może być podłączane jedynie do zasilania o takim samym napięciu jakie określa tabliczka znamionowa i może być uruchamiane wyłącznie przy zasilaniu jednofazowym prądem zmiennym. Przewody są podwójnie izolowane zgodnie z Normami Europejskimi i dlatego mogą być podłączone do gniazdek bez przewodu uziemiającego.

ENG905-1

Poziom hałasu i drgań

Typowy równoważny poziom dźwięku A określony w oparciu o EN60745:

Poziom ciśnienia akustycznego (L_{pA}): 82 dB(A)

Poziom mocy akustycznej (L_{WA}): 93 dB(A)

Niepewność (K): 2,1 dB(A)

Należy stosować ochroniacze na uszy

ENG900-1

Drgania

Całkowita wartość poziomu drgań (suma wektorów w 3 osiach) określona zgodnie z normą EN60745:

Tryb pracy: przycinanie żywoplotu

Wytwarzanie drgań (a_{h1}): 6,7 m/s²

Niepewność (K): 1,5 m/s²

ENG901-1

- Deklarowana wartość wytwarzanych drgań została zmierzona zgodnie ze standardową metodą testową i można ją wykorzystać do porównywania narzędzi.

- Deklarowaną wartość wytwarzanych drgań można także wykorzystać we wstępnej ocenie narażenia.

⚠ OSTRZEŻENIE:

- Drgania wytwarzane podczas rzeczywistego użytkowania elektronarzędzia mogą się różnić od wartości deklarowanej, w zależności od sposobu jego użytkowania.
- W oparciu o szacowane narażenie w rzeczywistych warunkach użytkowania należy określić środki bezpieczeństwa w celu ochrony operatora (uwzględniając wszystkie elementy cyklu działania, tj. czas, kiedy narzędzie jest wyłączone i kiedy pracuje na biegu jałowym, a także czas, kiedy jest włączone).

ENH021-6

Dotyczy tylko krajów europejskich

Deklaracja zgodności UE

Niniejszym firma Makita Corporation jako odpowiedzialny producent oświadcza, iż opisywane urządzenie marki Makita:

Opis maszyny:

Nożyce do żywopłotu

Nr modelu/Typ: UH4261, UH4861, UH5261

Dane techniczne: patrz tabela „SPECYFIKACJE”.

są produkowane seryjnie oraz

jest zgodne z wymogami określonymi w następujących dyrektywach europejskich:

2000/14/WE, 2006/42/WE

Jest produkowane zgodnie z następującymi normami lub dokumentami normalizacyjnymi:

EN60745

Dokumentacja techniczna przechowywana jest przez naszego autoryzowanego przedstawiciela na Europę, którym jest:

Makita International Europe Ltd.

Michigan Drive, Tongwell,

Milton Keynes, Bucks MK15 8JD, Anglia

Procedura oceny zgodności wymagana przez Dyrektywę 2000/14/WE została przeprowadzona zgodnie z Załącznikiem V.

Mierzony poziom mocy akustycznej: 93dB (A)

Gwarantowany poziom mocy akustycznej: 96dB (A)

23.07.2010



Tomoyasu Kato

Dyrektor

Makita Corporation

3-11-8, Sumiyoshi-cho,

Anjo, Aichi, 446-8502, JAPONIA

000230

Ogólne zasady bezpieczeństwa obsługi elektronarzędzi

⚠ **OSTRZEŻENIE** Przeczytaj wszystkie ostrzeżenia i instrukcje. Nie przestrzeganie ich może prowadzić do porażeń prądem, pożarów i/lub poważnych obrażeń ciała.

Wszystkie ostrzeżenia i instrukcje należy zachować do późniejszego wykorzystania.

GEB041-8

OSTRZEŻENIA DOTYCZĄCE BEZPIECZNEJ EKSPLOATACJI SEKTORA DO ŻYWOPŁOTU

1. **Ponieważ ostrze tnące może zetknąć się z ukrytymi przewodami elektrycznymi lub z własnym przewodem zasilającym, należy trzymać elektronarzędzie tylko za izolowane uchwyty.** Kontakt ostrza z przewodem elektrycznym pod napięciem powoduje, że również odsłonięte elementy metalowe narzędzia znajdują się pod napięciem, groząc porażeniem operatora prądem elektrycznym.
2. **Nie wolno zbliżać dłoni oraz innych części ciała do noży (ostrzy). Ciętego materiału nie wolno usuwać, ani przytrzymywać, kiedy noże są w ruchu. Przed usunięciem zablokowanego materiału należy koniecznie sprawdzić, czy narzędzie jest wyłączone.** Chwila nieuwagi podczas pracy z tym narzędziem może spowodować poważne zranienie.
3. **Nożyce do żywopłotu należy przenosić trzymając za uchwyt, a noże powinny być nieruchome.** Podczas transportu lub przechowywania nożyc do żywopłotu zawsze powinna być założona osłona. Prawidłowe obchodzenie się z tym narzędziem zmniejsza ryzyko urazów powodowanych ostrzami.
4. **Należy uważać, aby kabel był zawsze oddalony od obszaru cięcia.** Podczas pracy kabel może się kryć w roślinności i można go przypadkowo przeciąć.
5. **Nożyc do żywopłotu nie wolno używać podczas deszczu, kiedy występuje rosa, itp.** Silnik elektryczny tego narzędzia nie jest wodoodporny.
6. **Osoba mająca praktyczne doświadczenie z nożycami do żywopłotu powinna poinstruować użytkownika, który jeszcze nie pracował z takim narzędziem.**
7. **Dzieciom i młodzieży poniżej 18 roku życia nie wolno obsługiwać nożyc do żywopłotu. Młode osoby powyżej 16 roku życia można wyłączyć z tego zastrzeżenia, jeżeli odbywają szkolenie pod nadzorem fachowca.**

8. Używaj nożyc do żywoplotu tylko wtedy, gdy jesteś w doskonałym stanie fizycznym. W przypadku zmęczenia twoja koncentracja będzie obniżona. Zachowuj szczególną ostrożność pod koniec dnia roboczego. Wszelkie czynności powinny być wykonywane spokojnie i ostrożnie. Użytkownik odpowiada za wszelkie szkody wyrządzone osobom trzecim.
9. Osobom pod wpływem alkoholu, narkotyków lub przyjmującym leki nie wolno podejmować pracy.
10. Należy sprawdzić, czy napięcie i częstotliwość sieci zasilającej są zgodne z wartościami podanymi na tabliczce znamionowej narzędzia. Zalecamy stosowanie bezpieczników różnicowo-prądowych o prądzie różnicowym 30 mA lub mniejszym, lub podobnych, wyzwalanych prądem upływowym.
11. Rękawice robocze z grubej skóry należy do podstawowego wyposażenia przy pracy z nożycami i należy je nosić zawsze. Należy też nosić mocne buty z antypoślizgowymi podeszwami.
12. Przed rozpoczęciem pracy należy się upewnić, że nożyce są w dobrym i zapewniającym bezpieczeństwo stanie. Należy sprawdzić, czy zabezpieczenia są zamocowane prawidłowo. Przed rozpoczęciem pracy należy też sprawdzić, czy nie jest uszkodzony kabel i w razie potrzeby wymienić go. Nożyc do żywoplotu nie wolno używać, jeśli nie są zmontowane całkowicie.
13. Kabel należy utrzymywać z dala od miejsca cięcia. Kabel w czasie pracy musi być zawsze za tobą.
14. Jeśli kabel zostanie uszkodzony lub przecięty, jego wtyczkę należy natychmiast wyciągnąć z gniazda.
15. Przed rozpoczęciem pracy należy sprawdzić, czy grunt pod nogami jest pewny.
16. Narzędzie należy trzymać pewnie podczas pracy.
17. Nie należy bez potrzeby uruchamiać narzędzia bez obciążenia.
18. Kiedy noże zetkną się z elementami ogrodzenia lub innym twardym przedmiotem, należy natychmiast wyłączyć silnik i wyciągnąć z gniazda wtyczkę. Należy sprawdzić, czy nożyce nie zostały uszkodzone i w razie potrzeby naprawić je natychmiast.
19. Przed sprawdzaniem nożyc, usuwaniem uszkodzeń lub materiału zablokowanego w nożycach, należy je zawsze wyłączać i wyciągać wtyczkę kabla zasilającego z gniazda.
20. Przed przystąpieniem do jakichkolwiek prac konserwacyjnych, należy zawsze wyłączać i wyciągać wtyczkę kabla zasilającego z gniazda.
21. Przed przeniesieniem nożyc na inne miejsce, także podczas pracy, należy wyciągnąć wtyczkę przewodu zasilającego z gniazda elektrycznego, a następnie założyć osłonę na ostrza. Nie wolno przenosić lub przewozić nożyc, gdy noże są w ruchu. Nigdy nie chwytaj ostrzy rękami.
22. Nożyce, a zwłaszcza ostrza należy wyczyścić po pracy, a także przed odłożeniem na przechowanie. Noże należy lekko naoliwić i nałożyć na nie osłonę. Osłonę, która została dostarczona z nożycami, można zawiesić na ścianie i jest to bezpieczny i praktyczny sposób przechowywania tego narzędzia.
23. Nożyce należy przechowywać w suchym pomieszczeniu, z założoną osłoną. Dzieciom nie wolno mieć dostępu do nożyc. Nożyc nie wolno przechowywać na dworze.
24. **Nie należy bez potrzeby uruchamiać narzędzia bez obciążenia.**

ZACHOWAĆ INSTRUKCJE

⚠OSTRZEŻENIE:

NIE WOLNO pozwolić, aby wygodą lub rutyną (nabyta w wyniku wielokrotnego używania narzędzia) zastąpiły ścisłe przestrzeganie zasad bezpieczeństwa obsługi. **NIEWŁAŚCIWE UŻYTKOWANIE** narzędzia lub niestosowanie się do zasad bezpieczeństwa podanych w niniejszej instrukcji obsługi może prowadzić do poważnych obrażeń ciała.

OPIS DZIAŁANIA

⚠️ UWAGA:

- Przed rozpoczęciem regulacji i sprawdzania działania elektronarzędzia, należy upewnić się, czy jest ono wyłączone i nie podłączone do sieci.
- Przed rozpoczęciem regulacji lub sprawdzania działania nożyc założyć osłonę na ostrza.

Włączanie

Rys.1

Narzędzie to posiada zabezpieczenie w postaci potrójnego systemu włączania. Aby je uruchomić, należy wcisnąć język spustowy B jednocześnie z językiem spustowym A lub C. Aby wyłączyć, należy zwolnić jeden z tych języków. Kolejność naciskania nie ma znaczenia; narzędzie uruchamia się, kiedy wcisnięte są dwa języki spustowe.

Cięcie proste

Rys.2

Aby przycinać żywopłot prosto, należy pociągnąć języki spustowe A i B.

Cięcie pionowe

Rys.3

Należy ciąć ku górze, oburącz, ciągnąc za języki spustowe B i C.

MONTAŻ

⚠️ UWAGA:

- Przed wykonywaniem jakichkolwiek czynności na elektronarzędziu należy upewnić się, czy jest ono wyłączone i nie podłączone do sieci.

Dołączanie przedłużacza kabla zasilającego

⚠️ UWAGA:

- Należy się upewnić, że wtyczka kabla jest wyjęta z gniazda.

Rys.4

Dołączając kabel przedłużający, należy go przymocować do kabla narzędzia zaczepem dostarczonym w zestawie. Zaczep należy przymocować 100 - 200 mm od złącza kabla narzędzia. W ten sposób unikniemy przypadkowym rozłączeniem kabli.

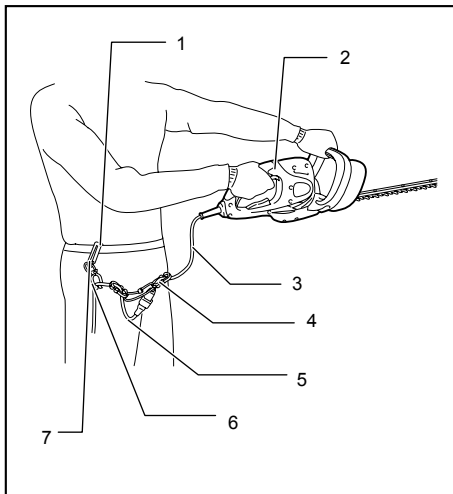
Zaczep kabla na pasek

⚠️ UWAGA:

- Zaczep ten należy mocować wyłącznie do kabla przedłużającego. Nie należy go mocować bliżej nożyc, przez zestawem zaczepów. Nie zastosowanie się do tej zasady może spowodować wypadek lub zranienie.
- Jeden z zaczepów należy silnie zamocować do kabla narzędzia, a drugi zaczep do kabla przedłużającego. Praca z nożycami, kiedy

zamocowany jest tylko jeden zaczep może spowodować wypadek lub zranienie.

Stosowanie zaczepu na pasek od spodni zmniejsza ryzyko przypadkowego przecięcia luźnego kabla przedłużającego.



1. Hak
2. Narzędzie
3. Kabel zasilający narzędzia
4. Zestaw zaczepów do mocowania kabli
5. Przedłużacz
6. Uchwyt
7. Zaczep kabla na pasek

009401

Rys.5

Wciśnij lub wyciągnij kabel z otwór w elemencie mocowania.

⚠️ UWAGA:

- Nie stosuj zbyt wielkiej siły rozchylając element mocujący. Duża siła może uszkodzić ten element.

Zaczep na pasek naramienny (wyposażenie opcjonalne)

⚠️ UWAGA:

- Zaczep ten należy mocować wyłącznie do kabla przedłużającego. Nie należy go mocować bliżej nożyc, przed zestawem zaczepów. Nie zastosowanie się do tej zasady może spowodować wypadek lub zranienie.
- Jeden z zaczepów należy silnie zamocować do kabla narzędzia, a drugi zaczep do kabla przedłużającego. Praca z nożycami, kiedy zamocowany jest tylko jeden zaczep może spowodować wypadek lub zranienie.

Stosowanie zaczepu na pasek naramienny zmniejsza ryzyko przypadkowego przecięcia luźnego kabla przedłużającego.

Rys.6

Taśmę zaczepu na pasek naramienny należy solidnie zamocować na ramieniu, a kabel przedłużający ułożyć w elemencie mocującym. Długość taśmy zaczepu na pasek naramienny można regulować.

UWAGA:

- Kabla zasilającego nie należy przekładać za pasek.
- Nie stosuj zbyt wielkiej siły rozchylając element mocujący. Duża siła może uszkodzić ten element.
- Bardziej pomaga używanie zaczepu na pasek naramienny oraz zaczepu na pasek od spodni.

DZIAŁANIE

⚠UWAGA:

- Podczas przycinania należy uważać na metalowe ogrodzenia lub inne twarde przedmioty. Mogą one spowodować pęknięcie ostrzy oraz poważne obrażenia.
- Podczas przycinania sięganie zbyt daleko, zwłaszcza gdy pracuje się na drabinie, może być bardzo niebezpieczne. Nie wolno podczas pracy stać na niepewnym podłożu.

Rys.7

Nie wolno usiłować przycinać tym narzędziem gałęzie grubsze niż 10 mm. Gałęzie takie trzeba najpierw ściąć innym narzędziem do poziomu przycinania.

⚠UWAGA:

- Nie wolno też przycinać martwych gałęzi, ani innych twardych elementów. Nie przestrzeganie tego może doprowadzić do uszkodzenia narzędzia.

Rys.8

Należy trzymać narzędzie oburącz, ciągnąc za języki spustowe A i B.

Rys.9

Rys.10

Stosując podstawową metodę pracy, należy pochylić ostrza w kierunku przycinania i przesuwać je spokojnie i powoli, z szybkością jednego metra w ciągu 3 - 4 sekund.

Rys.11

Aby przycinać równo górną powierzchnię żywopłotu, dobrze jest na wymaganej wysokości zawiesić sznurek i przycinać wzdłuż niego.

Rys.12

Stosowanie deflektora (wyposażenie opcjonalne) podczas przycinania prostego zapewnia odrzucanie obciętych liści w sposób kontrolowany.

Rys.13

Równne przycięcie żywopłotu osiągamy przycinając od dołu do góry.

Rys.14

Żywopłoty z bukszpanu i rododendronu (rózaniecznika) należy przycinać od dołu ku górze - wyglądają wtedy najładniej.

Montaż i demontaż osłony deflektora (wyposażenie opcjonalne)

⚠UWAGA:

- Przed przystąpieniem do zakładania lub zdejmowania tarczy zawsze upewnij się, że narzędzie jest wyłączone i odłączone od zasilania.

UWAGA:

- Podczas zakładania lub zdejmowania deflektora należy zawsze nosić rękawice, aby nie dotykać ostrzy bezpośrednio. Nie przestrzeganie tej zasady może spowodować obrażenia.
- Przed zainstalowaniem pojemnika należy się zawsze upewnić, że została zdjęta osłona ostrza.
- Deflektor zbiera odcięte liście i ułatwia pozbywanie się ich. Można go zamontować z jednej lub z drugiej strony narzędzia.

Rys.15

Rys.16

Deflektor mocuje się umieszczając jego haczyki w rowkach belki nożowej.

Rys.17

Aby zdemontować deflektor, naciśnij haczyki po obu stronach i haczyki się odcepią.

⚠UWAGA:

- Osłonę ostrzy (wyposażenie standardowe) nie można zamontować, kiedy zamontowany jest deflektor. Przed przenoszeniem lub przechowywaniem tego narzędzia, należy wymontować deflektor, a następnie założyć osłonę belki nożowej.

UWAGA:

- Przed przystąpieniem do pracy z użyciem deflektora, należy sprawdzić czy jest on zamontowany prawidłowo.
- Deflektora nie wolno demontować z użyciem dużej siły, kiedy haczyki mocujące znajdują się w rowkach. Może to go uszkodzić.

KONSERWACJA

⚠UWAGA:

- Przed wykonywaniem kontroli i konserwacji należy się zawsze upewnić, czy elektronarzędzie jest wyłączone i nie podłączone do sieci.

Czyszczenie narzędzia

Narzędzie to należy czyścić usuwając kurz szmatką - suchą lub namoczoną w roztworze mydła.

⚠UWAGA:

- Nie wolno używać benzyny, benzenu, rozpuszczalnika, alkoholu itp. Substancje takie mogą spowodować odbarwienia, odkształcenia lub pęknięcia.

Konserwacja noży

Przed rozpoczęciem pracy i co pół godziny w trakcie pracy ostrza należy zwilżać olejem maszynowym.

Po pracy należy drucianą szczotką usunąć kurz po obu stronach belki nożowej, wytrzeć szmatką, a następnie zwilżyć olejem o niskiej lepkości, np. maszynowym.

⚠UWAGA:

- Noży nie wolno myć wodą. Mycie takie powoduje korodowanie i uszkodzenie narzędzia.
- Przed wykonaniem konserwacji ostrzy należy założyć rękawice.

Przechowywanie

Osloną należy założyć na belkę nożową, aby ostrza były schowane całkowicie. Nożyce należy koniecznie strzec przed dziećmi.

Miejsce przechowywania nożyc powinno być suche.

Dla zachowania **BEZPIECZENSTWA** i **NIEZAWODNOŚCI** wyrobu, naprawy, wymiana szczotek węglowych oraz inne prace konserwacyjne i regulacyjne powinny być wykonywane przez Autoryzowane Centra Serwisowe Makita, wyłącznie przy użyciu części zamiennych Makita.

AKCESORIA OPCJONALNE

⚠UWAGA:

- Zaleca się stosowanie wymienionych akcesoriów i dodatków razem z elektronarzędziem Makita opisanym w niniejszej instrukcji. Stosowanie jakichkolwiek innych akcesoriów i dodatków może stanowić ryzyko uszkodzenia ciała. Stosować akcesoria i dodatki w celach wyłącznie zgodnych z ich przeznaczeniem.

W razie potrzeby, wszelkiej pomocy i szczegółowych informacji na temat niniejszych akcesoriów udziela Państwu lokalne Centra Serwisowe Makita.

- Oslona belki nożowej
- Zestaw zaczepów do mocowania kabli
- Zaczep kabla na pasek
- Zaczep kabla na pasek naramienny
- Deflektor liści

UWAGA:

- Niektóre pozycje znajdujące się na liście mogą być dołączone do pakietu narzędziowego jako akcesoria standardowe. Mogą to być różne pozycje, w zależności od kraju.

ROMÂNĂ (Instrucțiuni originale)

Explicitarea vederii de ansamblu

| | | |
|---------------------------------|---|--|
| 1-1. Declanșator întrerupător B | 6-2. Curea a cârligului de braț pentru cablu | 15-3. Piuliță |
| 1-2. Declanșator întrerupător A | | 15-4. Lamă de forfecare |
| 1-3. Declanșator întrerupător C | 10-1. Direcție de tundere | 16-1. Cârlige |
| 4-1. Ansamblu cârlig | 10-2. Înclinați lamele | 16-2. Introducerea cârligelor în canelură |
| 4-2. Cablu mașină | 10-3. Suprafața gardului viu care va fi tunsă | 16-3. Caneluri |
| 4-3. Prelungitor | | 17-1. Apăsarea cârligelor de pe ambele părți |
| 5-1. Suport | 11-1. Fir | 17-2. Deblocarea cârligelor |
| 5-2. Cablu | 15-1. Apăsări | |
| 6-1. Suport | 15-2. Recipient de resturi | |

SPECIFICAȚII

| Model | UH4261 | UH4861 | UH5261 |
|-------------------------------------|--------|--------|--------|
| Lungime lamă | 420 mm | 480 mm | 520 mm |
| Curse pe minut (min ⁻¹) | 1.600 | 1.600 | 1.600 |
| Lungime totală | 821 mm | 871 mm | 921 mm |
| Greutate netă | 2,9 kg | 3,0 kg | 3,0 kg |
| Clasa de siguranță | □/II | | |

- Datorită programului nostru continuu de cercetare și dezvoltare, caracteristicile pot fi modificate fără o notificare prealabilă.
- Specificațiile pot varia în funcție de țară.
- Greutatea este specificată conform procedurii EPTA-01/2003

END220-4

Simbol

Mai jos sunt prezentate simbolurile de pe echipament. Asigurați-vă că înțelegeți sensul acestora înainte de utilizare.



- Citiți manualul de utilizare.



- IZOLAȚIE DUBLĂ



- Nu expuneți la ploaie.



- Scoateți fișa din priză imediat, în cazul în care cablul este deteriorat sau tăiat.



- Doar pentru țările din UE
Nu eliminați echipamentele electrice la fel ca reziduurile menajere !

Conform cu Directiva Europeană 2002/96/EC privitoare la echipamente electrice și electronice scoase din uz și conform cu legile naționale, echipamentele electrice care au ajuns la finalul duratei de viață trebuie să fie strânse separat și trebuie să fie transmise la o unitate de reciclare.

ENE014-1

Destinația

Mașina este destinată tunderii gardurilor vii.

ENF002-1

Sursă de alimentare

Mașina se va alimenta de la o sursă de curent alternativ monofazat, cu tensiunea egală cu cea indicată pe plăcuța de identificare a mașinii. Având dublă izolație,

conform cu Standardele Europene, se poate conecta la o priză de curent fără contacte de împământare.

ENG905-1

Emisie de zgomot

Nivelul de zgomot normal ponderat A determinat în conformitate cu EN60745:

Nivel de presiune acustică (L_{pA}): 82 dB(A)

Nivel putere sonoră (L_{WA}): 93 dB(A)

Eroare (K): 2,1 dB(A)

Purtați mijloace de protecție a auzului

ENG900-1

Vibrații

Valoarea totală a vibrațiilor (suma vectorilor tri-axiali) determinată conform EN60745:

Mod de funcționare: tundere garduri vii

Emisia de vibrații (a_{hv}): 6,7 m/s²

Incertitudine (K): 1,5 m/s²

ENG901-1

- Nivelul de vibrații declarat a fost măsurat în conformitate cu metoda de test standard și poate fi utilizat pentru compararea unei uneelte cu alta.
- Nivelul de vibrații declarat poate fi, de asemenea, utilizat într-o evaluare preliminară a expunerii.

AVERTISMENT:

- Nivelul de vibrații în timpul utilizării reale a uneeltei electrice poate diferi de valoarea nivelului declarat, în funcție de modul în care unealta este utilizată.

- Asigurați-vă că identificați măsurile de siguranță pentru a proteja operatorul, acestea fiind bazate pe o estimare a expunerii în condiții reale de utilizare (luând în considerare toate părțile ciclului de operare, precum timpii în care unealta a fost oprită, sau a funcționat în gol, pe lângă timpul de declanșare).

ENH021-6

Numai pentru țările europene

Declarație de conformitate CE

Noi, Makita Corporation ca producător responsabil, declarăm că următorul(oarele) utilaj(e):

Denumirea utilajului:

Mașină de tuns gard viu

Model nr./ Tip: UH4261, UH4861, UH5261

Specificații: consultați tabelul "SPECIFICAȚII".

sunt produse în serie și

Este în conformitate cu următoarele directive europene:

2000/14/EC, 2006/42/EC

Și este fabricat în conformitate cu următoarele standarde sau documente standardizate:

EN60745

Documentațiile tehnice sunt păstrate de reprezentantul nostru autorizat în Europa care este:

Makita International Europe Ltd.

Michigan Drive, Tongwell,

Milton Keynes, Bucks MK15 8JD, Anglia

Procedura de evaluare a conformității prevăzută de Directiva 2000/14/CE a fost în conformitate cu anexa V.

Nivel putere acustică măsurată: 93dB (A)

Nivel putere acustică garantată: 96dB (A)

23.07.2010



000230

Tomoyasu Kato

Director

Makita Corporation

3-11-8, Sumiyoshi-cho,

Anjo, Aichi, 446-8502, JAPONIA

GEA010-1

Avertismente generale de siguranță pentru unelte electrice

⚠️ AVERTIZARE Citiți toate avertizările de siguranță și toate instrucțiunile. Nerespectarea acestor avertizări și instrucțiuni poate avea ca rezultat electrocutarea, incendiul și/sau rănirea gravă.

Păstrați toate avertismentele și instrucțiunile pentru consultări ulterioare.

AVERTISMENTE PRIVIND SIGURANȚA PENTRU MAȘINA DE TUNS GĂRDUL VIU

1. **Țineți mașina electrică doar de suprafețele de prindere izolate, deoarece lama tăietoare poate intra în contact cu fire ascunse.** Lamele tăietoare care intră în contact cu un fir sub tensiune vor pune sub tensiune și componentele metalice expuse ale mașinii electrice, existând pericolul ca operatorul să se electrocuteze.
2. **Țineți-vă toate părțile corpului departe de lama tăietoare. Când lamele sunt în mișcare, nu îndepărtați materialul tăiat și nici nu țineți materialul care va fi tăiat. Asigurați-vă că întrerupătorul este în poziția oprit atunci când curățați materialul blocat.** Un moment de neatenție în timpul utilizării mașinii de tuns gardul viu poate avea ca rezultat rănirea gravă.
3. **Transportați mașina de tuns gardul viu de mână cu lama tăietoare oprită. Când transportați sau depozitați mașina de tuns gardul viu, montați întotdeauna apărătoarea dispozitivului de tăiere.** Manipularea corectă a mașinii de tuns gardul viu va reduce posibilitatea rănirii persoanei de către lamele tăietoare.
4. **Țineți cablul departe de zona de tăiere.** În timpul utilizării, cablul poate fi ascuns în tufe și poate fi tăiat accidental de lamă.
5. Nu utilizați mașina de tuns gardul viu în ploaie, condiții de umezeală sau de umezeală foarte ridicată. Motorul electric nu este etanș la apă.
6. Cei care utilizează pentru prima dată mașina de tuns gardul viu trebuie să lucreze împreună cu un utilizator cu experiență care să le arate cum să folosească mașina de tuns gardul viu.
7. Mașina de tuns gardul viu nu trebuie folosită de copii sau adolescenți cu vârstă mai mică de 18 ani. Adolescenții cu vârstă mai mare de 16 ani pot fi excepția de la această restricție în cazul în care beneficiază de instrucție sub supravegherea unui expert.
8. Utilizați mașina de tuns gardul viu numai dacă vă aflați într-o stare fizică bună. Dacă sunteți obosit, atenția vă va fi redusă. Fiți atent în special la finalul zilei de muncă. Executați fiecare lucrare cu calm și cu atenție. Utilizatorul este responsabil pentru toate distrugerile provocate unor terțe părți.
9. Nu utilizați niciodată mașina de tuns sub influența alcoolului, drogurilor sau medicamentelor.
10. Verificați pentru a vă asigura că tensiunea și frecvența sursei de alimentare corespund cu specificațiile date pe plăcuța de identificare. Vă recomandăm utilizarea unui întrerupător de circuit acționat de curentul rezidual (întrerupător de circuit de defectare a împământării) cu un curent

- de declanșare de 30 mA sau mai mic, sau o protecție la scurgerile de curent prin împământare.
11. Mănușile de lucru din piele rezistentă sunt componente ale echipamentului de bază al mașinii de tuns gardul viu și trebuie să fie purtate întotdeauna când lucrați cu aceasta. De asemenea, purtați pantofi rezistenți și cu tălpi antiderapante.
 12. Înainte de a începe lucrul, verificați pentru a vă asigura că mașina de tuns este în stare bună și sigură de funcționare. Asigurați-vă că apărătorile sunt montate corect. Înainte de a începe lucrul, verificați cablul și înlocuiți-l dacă este necesar. Mașina de tuns gardul viu nu trebuie utilizată dacă nu este asamblată complet.
 13. Țineți cablul departe de zona de tăiere. Lucrați întotdeauna astfel încât cablul prelungitor să fie în urma dumneavoastră.
 14. În cazul în care cablul este deteriorat sau tăiat, scoateți imediat ștecherul din priză.
 15. Înaintea utilizării, asigurați-vă că aveți o bază sigură de sprijinire a picioarelor.
 16. Țineți ferm mașina atunci când o utilizați.
 17. Nu acționați mașina în gol în mod inutil.
 18. Oprii imediat motorul și scoateți ștecherul din priză dacă dispozitivul de tăiere vine în contact cu un gard sau cu un alt obiect tare. Verificați dispozitivul de tăiere și, dacă este deteriorat, reparați-l imediat.
 19. Înainte de a verifica dispozitivul de tăiere, de a remedia defecțiunile sau de a scoate materialul prins în dispozitivul de tăiere, opriți întotdeauna mașina de tuns și scoateți ștecherul din priză.
 20. Înaintea efectuării oricărei activități de întreținere, opriți mașina de tuns și deconectați și asigurați ștecherul.
 21. La mutarea mașinii de tuns la o altă locație, inclusiv în timpul lucrului, scoateți întotdeauna ștecherul din priză și puneți apărătoarea pe lamele de tăiere. Nu cărați sau transportați niciodată mașina de tuns cu dispozitivul de tăiere în funcțiune. Nu apucați niciodată dispozitivul de tăiere cu mâinile.
 22. După utilizare și înainte de a o depozita pentru o perioadă lungă de timp, curățați mașina de tuns gardul viu și în special dispozitivul de tăiere. Ungeți puțin cu ulei dispozitivul de tăiere și puneți apărătoarea. Apărătoarea furnizată cu unitatea poate fi agățată pe perete, oferind un mod practic și sigur de depozitare a mașinii de tuns gardul viu.
 23. Depozitați mașina de tuns gardul viu cu apărătoarea pusă, într-o cameră uscată. Nu o lăsați la îndemâna copiilor. Nu depozitați niciodată mașina în exterior.
 24. **Nu acționați mașina în gol în mod inutil.**

PĂSTRAȚI ACESTE INSTRUCȚIUNI

⚠️ AVERTISMENT:

NU permiteți comodității și familiarizării cu produsul (obținute prin utilizare repetată) să înlocuiască respectarea strictă a normelor de securitate pentru acest produs. FOLOSIREA INCORECTĂ sau nerespectarea normelor de securitate din acest manual de instrucțiuni poate provoca vătămări corporale grave.

DESCRIERE FUNCȚIONALĂ

⚠ATENȚIE:

- Asigurați-vă că ați oprit mașina și că ați debransat-o de la rețea înainte de a o regla sau de a verifica starea sa de funcționare.
- Puneți apăratătoarea pe lamele de forfecare înainte de a regla sau verifica funcționarea mașinii.

Acționarea întrerupătorului

Fig.1

Pentru siguranța dumneavoastră, mașina este echipată cu un sistem cu comutare triplă. Pentru a porni mașina, apăsați butonul declanșator B și apăsați în același timp butonul declanșator A sau C. Eliberați oricare dintre cele două butoane declanșator apăsați pentru a opri mașina. Secvența de comutare nu este importantă pentru că mașina pornește numai când ambele întrerupătoare sunt activate.

Tăiere dreaptă

Fig.2

Pentru a tăia drept gardul viu, trageți butoanele declanșator A și B.

Tăiere verticală

Fig.3

Tăiați în sus trăgând cu ambele mâini declanșatoarele de întrerupere B și C și mutând mașina în fața corpului.

MONTARE

⚠ATENȚIE:

- Asigurați-vă că ați oprit mașina și că ați deconectat-o de la rețea înainte de a efectua vreo intervenție asupra mașinii.

Cuplarea cablului prelungitor

⚠ATENȚIE:

- Asigurați-vă că, prelungitorul de cablu este scos din priză.

Fig.4

Când cuplați cablu prelungitor, fixați-l de cablu mașinii cu ansamblul cârlig. Montați cârligul la circa 100 – 200 mm de la conectorul cablului prelungitor. În acest mod va fi prevenită deconectarea accidentală.

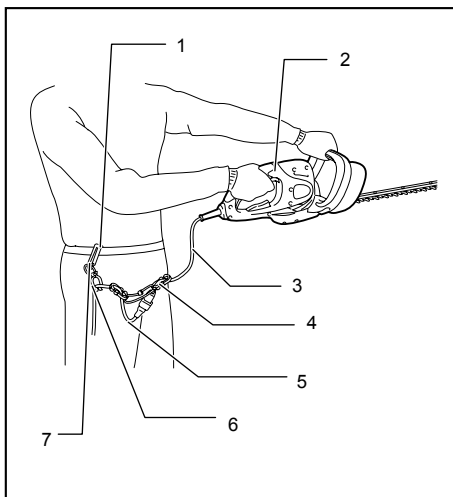
Cârlig de brâu pentru cablu

⚠ATENȚIE:

- Nu prindeți suportul cârligului de brâu pentru cablu decât de cablu prelungitor. Nu-l prindeți într-o poziție aflată mai aproape de mașină, în spatele ansamblului cârlig. În caz contrar se pot produce accidente sau răni.
- Prindeți ferm un cârlig din ansamblul cârlig la cablu mașinii, iar celălalt la cablu prelungitor. Utilizarea unei mașini având atașat doar un singur

cârlig poate produce accidente sau răni.

Utilizarea cârligului de brâu pentru cablu ajută la minimizarea riscului de tăiere neașteptată a cablului prelungitor, cauzată de slăbirea acestuia.



1. Agățătoare
2. Mașină
3. Cablu mașină
4. Ansamblu cârlig
5. Prolungitor
6. Suport
7. Cârlig de brâu pentru cablu

009401

Fig.5

Împingeți sau trageți cordonul prin deschiderea suportului.

⚠ATENȚIE:

- Nu forțați deschiderea suportului. În caz contrar se poate produce îndoirea și deteriorarea acestuia.

Cârlig de braț pentru cablu (accesoriu)

⚠ATENȚIE:

- Nu prindeți suportul cârligului de braț pentru cablu decât de cablu prelungitor. Nu-l prindeți într-o poziție aflată mai aproape de mașină, în spatele cârligelor ansamblului cârlig. În caz contrar se pot produce accidente sau răni.
- Prindeți ferm un cârlig din ansamblul cârlig la cablu mașinii, iar celălalt la cablu prelungitor. Utilizarea unei mașini având atașat doar un singur cârlig poate produce accidente sau răni.

Utilizarea cârligului de braț pentru cablu ajută la minimizarea riscului de tăiere neașteptată a cablului prelungitor, cauzată de slăbirea acestuia.

Fig.6

Atașați ferm cureaua cârligului de braț în jurul brațului și treceți cablu prelungitor prin suport. Lungimea curelei

cârligului de braț este reglabilă.

NOTĂ:

- Nu treceți cablul prelungitor prin bandă.
- Nu forțați deschiderea suportului. În caz contrar se poate produce îndoirea și deteriorarea acestuia.
- Utilizarea cârligului de braț împreună cu cârligul de brâu este mult mai utilă.

FUNȚIONARE

⚠ATENȚIE:

- În timpul tunderii, aveți grijă să nu atingeți accidental un gard metalic sau alte obiecte tari. Lama se va sparge și poate produce răni grave.
- Întinderea cu o mașină de tuns gardul viu, în special de pe o scară, este extrem de periculoasă. Nu lucrați de pe nimic instabil sau lipsit de fermitate.

Fig.7

Nu încercați să tăiați ramuri mai groase de 10 mm cu această mașină de tuns. Acestea trebuie mai întâi tăiate cu foarfecele până la nivelul mașinii de tuns gardul viu.

⚠ATENȚIE:

- Nu tăiați copaci uscați sau alte obiecte similare dure. În caz contrar, mașina poate fi deteriorată.

Fig.8

Ținând mașina cu ambele mâini, trageți declanșatoarele de întrerupere A și B și mutați-o în fața corpului.

Fig.9

Fig.10

Ca o operație de bază, înclinați lamele în față spre direcția de tundere și deplasați-le calm și lent la o viteză nominală de 3 - 4 secunde pe metru.

Fig.11

Pentru a tunde uniform partea superioară a unui gard viu, vă va ajuta legarea unei sfori la înălțimea dorită a gardului viu, și tunderea de-a lungul acesteia, utilizând-o ca linie de referință.

Fig.12

Montarea unui recipient de resturi (accesoriu) pe mașină atunci când tundeți drept gardul viu poate evita proiectarea în aer a frunzelor tăiate.

Fig.13

Pentru a tunde uniform o față a gardului viu, vă va ajuta să tundeți de jos în sus.

Fig.14

Tundeți merișorul sau rododendronul de la bază spre partea superioară pentru un aspect plăcut și pentru un lucru bine făcut.

Montarea sau demontarea recipientului de resturi (accesoriu)

⚠ATENȚIE:

- Asigurați-vă întotdeauna că mașina este oprită și deconectată înainte de a monta sau demonta recipientul de resturi.

NOTĂ:

- Atunci când înlocuiți recipientul de resturi, purtați întotdeauna mănuși astfel încât mâinile și fața să nu intre în contact direct cu lama. În caz contrar se poate produce rănirea.
- Înainte de a monta recipientul de resturi, asigurați-vă întotdeauna că scoateți apărătoarea lamei.
- Recipientul de resturi primește frunzele tunse și ușurează colectarea frunzelor proiectate. Acesta poate fi instalat pe oricare latură a mașinii.

Fig.15

Fig.16

Totodată, recipientul de resturi trebuie instalat astfel încât cârligele sale să intre în canelurile unității lamelor de forfecare.

Fig.17

Pentru a scoate recipientul de resturi, apăsați maneta sa pe ambele părți astfel încât cârligele să se deblocheze.

⚠ATENȚIE:

- Dacă apărătoarea lamei (dotare standard) nu poate fi montată pe mașină. Înaintea transportului sau depozitării, demontați recipientul de resturi și apoi montați apărătoarea lamei, pentru a evita expunerea acesteia.

NOTĂ:

- Înaintea utilizării, verificați dacă recipientul de resturi este fixat corespunzător.
- Nu încercați niciodată să demontați recipientul de resturi, cu cârligele blocate în canelurile ansamblului lamei, prin intermediul unei forțe excesive. Utilizarea forței excesive poate deteriora recipientul.

ÎNȚREȚINERE

⚠ATENȚIE:

- Asigurați-vă că ați oprit mașina și că ați debransat-o de la rețea înainte de a efectua operațiuni de verificare sau întreținere.

Curățarea mașinii

Curățați mașina, ștergând praful cu o lavetă uscată sau înmuiată în săpun.

⚠ATENȚIE:

- Nu utilizați niciodată gazolină, benzină, diluant, alcool sau alte substanțe asemănătoare. În caz

contrar, pot rezulta decolorări, deformări sau fisuri.

Întreținerea lamei

Ungeți lama înainte de utilizare și o dată la o jumătate oră în timpul utilizării, cu ulei de mașină sau un alt ulei similar.

După utilizare, îndepărtați praful de pe ambele fețe ale lamei cu o perie de sârmă, ștergeți cu o lavetă și apoi aplicați suficient ulei cu vâscozitate scăzută, cum a fi uleiul de mașină, etc. și uleiul de lubrifiere de tip spray.

⚠️ATENȚIE:

- Nu spălați lamele în apă. În caz contrar, mașina poate fi deteriorată sau poate rugini.
- Purtați mănuși atunci când efectuați întreținerea lamei.

Depozitarea

Puneți apărătoarea pe lamele de forfecare astfel încât lamele să nu fie expuse. Depozitați mașina departe de raza de acțiune a copiilor.

Depozitați mașina într-un loc care nu este expus la apă și ploaie.

Pentru a menține siguranța și fiabilitatea mașinii, reparațiile, schimbarea și verificarea periilor de carbon, precum și orice alte operațiuni de întreținere sau reglare trebuie să fie efectuate numai la Centrele de service autorizat Makita, folosindu-se piese de schimb Makita.

ACCESORII OPȚIONALE

⚠️ATENȚIE:

- Folosiți accesoriile sau piesele auxiliare recomandate pentru mașina dumneavoastră în acest manual. Utilizarea oricărui alte accesorii sau piese auxiliare poate cauza vătămări. Folosiți accesoriile pentru operațiunea pentru care au fost concepute.

Dacă aveți nevoie de asistență sau de mai multe detalii referitoare la aceste accesorii, adresați-vă centrului local de service Makita.

- Apărătoare lamă
- Ansamblu cârlig
- Cârlig de braț pentru cablu
- Cârlig de braț pentru cablu
- Recipient de resturi

NOTĂ:

- Unele articole din listă pot fi incluse ca accesorii standard în ambalajul de scule. Acestea pot diferi în funcție de țară.

DEUTSCH (Originalanweisungen)

Erklärung der Gesamtdarstellung

| | | |
|-------------------------|------------------------------------|--|
| 1-1. Ein/Aus-Schalter B | 6-1. Halterung | 15-3. Mutter |
| 1-2. Ein/Aus-Schalter A | 6-2. Band des Kabelhalters für Arm | 15-4. Schneidblatt |
| 1-3. Ein/Aus-Schalter C | 10-1. Schneidrichtung | 16-1. Haken |
| 4-1. Kompletthaken | 10-2. Neigung der Blätter | 16-2. Einpassen der Haken in die Kerbe |
| 4-2. Werkzeugkabel | 10-3. Zu schneidende Heckenfläche | 16-3. Nuten |
| 4-3. Verlängerungskabel | 11-1. Schnur | 17-1. Drücken der Haken an beiden Seiten |
| 5-1. Halterung | 15-1. Drücken | 17-2. Lösen der Haken |
| 5-2. Kabel | 15-2. Spanaufnehmer | |

TECHNISCHE DATEN

| Modell | UH4261 | UH4861 | UH5261 |
|---|--------|--------|--------|
| Schneidblattlänge | 420 mm | 480 mm | 520 mm |
| Schläge pro Minute (min ⁻¹) | 1.600 | 1.600 | 1.600 |
| Gesamtlänge | 821 mm | 871 mm | 921 mm |
| Netto-Gewicht | 2,9 kg | 3,0 kg | 3,0 kg |
| Sicherheitsklasse | □/II | | |

- Aufgrund der laufenden Forschung und Entwicklung unterliegen die hier aufgeführten technischen Daten Veränderungen ohne Hinweis
- Die technischen Daten können für verschiedene Länder unterschiedlich sein.
- Gewicht entsprechend der EPTA-Vorgehensweise 01/2003

END220-4

ENE014-1

Symbol

Nachstehend sind Symbole aufgeführt, auf die Sie bei dem Werkzeuggebrauch stoßen können. Sie sollten noch vor Arbeitsbeginn ihre Bedeutung kennen.



- Lesen Sie die vorliegende Bedienungsanleitung.



- ZWEIFACH-ISOLIERUNG



- Setzen Sie die Säge keinem Regen aus.



- Ziehen Sie bei einem beschädigten oder angeschnittenen Kabel sofort den Netzstecker!



- Nur für EU-Länder
Entsorgen Sie die elektrische Einrichtung nicht zusammen mit dem Hausmüll!

Auf Anordnung des Europarats 2002/96/EC über die Entsorgung von elektrischen und elektronischen Einrichtungen und ihrer Durchführung übereinstimmend mit den nationalen Gesetzen, müssen die elektrischen Einrichtungen, nachdem sie ausgedient haben, gesondert gesammelt und der ökologischen Wiederverwertung zugeführt werden.

Verwendungszweck

Das Werkzeug wurde für das Schneiden von Hecken entwickelt.

ENF002-1

Speisung

Das Werkzeug darf nur an eine entsprechende Quelle mit der gleichen Spannung angeschlossen werden, wie sie auf dem Typenschild aufgeführt wird, und es kann nur mit Einphasen-Wechselstrom arbeiten. Es besitzt in Übereinstimmung mit den europäischen Normen eine Zweifach-Isolierung, aufgrund dessen kann es aus Steckdosen ohne Erdungsleiter gespeist werden.

EN905-1

Geräuschpegel

Die typischen A-bewerteten Geräuschpegel, bestimmt gemäß EN60745:

Schalldruckpegel (L_{pA}): 82 dB(A)
Schalleistungspegel (L_{WA}): 93 dB(A)
Abweichung (K): 2,1 dB(A)

Tragen Sie Gehörschutz.

EN900-1

Schwingung

Schwingungsgesamtwerte (Vektorsumme dreier Achsen) nach EN60745:

Arbeitsmodus: Hecke Schneiden
Schwingungsausgabe (a_{h1}): 6,7 m/s²
Abweichung (K): 1,5 m/s²

- Die deklarierte Schwingungsbelastung wurde gemäß der Standardtestmethode gemessen und kann für den Vergleich von Werkzeugen untereinander verwendet werden.
- Die deklarierte Schwingungsbelastung kann auch in einer vorläufigen Bewertung der Gefährdung verwendet werden.

⚠️ WARNUNG:

- Die Schwingungsbelastung während der tatsächlichen Anwendung des Elektrowerkzeugs kann in Abhängigkeit von der Art und Weise der Verwendung des Werkzeugs vom deklarierten Belastungswert abweichen.
- Stellen Sie sicher, dass Schutzmaßnahmen für den Bediener getroffen werden, die auf den unter den tatsächlichen Arbeitsbedingungen zu erwartenden Belastungen beruhen (beziehen Sie alle Bestandteile des Arbeitsablaufs ein, also zusätzlich zu den Arbeitszeiten auch Zeiten, in denen das Werkzeug ausgeschaltet ist oder ohne Last läuft).

ENH021-6

Nur für europäische Länder

EG-Konformitätserklärung

Wir, Makita Corporation als verantwortlicher Hersteller, erklären, dass die folgenden Geräte der Marke Makita:

Bezeichnung des Geräts:

Heckenschere

Nummer / Typ des Modells: UH4261, UH4861, UH5261

Technische Daten: siehe Tabelle „TECHNISCHE DATEN“.

in Serienfertigung hergestellt wird und

den folgenden EG-Richtlinien entspricht:

2000/14/EG, 2006/42/EG

Außerdem werden die Geräte gemäß den folgenden Standards oder Normen gefertigt:

EN60745

Die technische Dokumentation erfolgt durch unseren Bevollmächtigten in Europa:

Makita International Europe Ltd.

Michigan Drive, Tongwell,

Milton Keynes, Bucks MK15 8JD, England

Das Verfahren zur Konformitätsbewertung, vorgesehen in 2000/14/EG, erfolgte in Übereinstimmung mit Anhang V.

Gemessener Schalleistungspegel: 93 dB (A)

Garantierter Schalleistungspegel: 96 dB (A)

23.07.2010



Tomoyasu Kato
Direktor

Makita Corporation

000230

Allgemeine Sicherheitshinweise für Elektrowerkzeuge

⚠️ WARNUNG Lesen Sie alle Sicherheitswarnungen und -anweisungen sorgfältig durch. Werden die Warnungen und Anweisungen ignoriert, besteht die Gefahr eines Stromschlags, Brands und/oder schweren Verletzungen.

Bewahren Sie alle Warnhinweise und Anweisungen zur späteren Referenz gut auf.

GEB041-8

SICHERHEITSHINWEISE FÜR DIE HECKENSCHERE

1. **Halten Sie das Werkzeug ausschließlich an den isolierten Griffflächen, da das Schnittblatt verborgene Kabel oder das eigene Kabel berühren kann.** Bei Kontakt des Schnittblatts mit einem stromführenden Kabel wird der Strom an die Metallteile des Elektrowerkzeugs und dadurch an den Bediener weitergeleitet, und der Bediener erleidet einen Stromschlag.
2. **Halten Sie mit allen Körperteilen Abstand zum Schneidblatt. Entfernen Sie kein geschnittenes Material oder halten Sie kein zu schnidendes Material, wenn sich die Blätter bewegen. Überprüfen Sie, dass der Schalter aus ist, wenn Sie verklemmtes Material entfernen.** Ein Moment der Unachtsamkeit kann beim Umgang mit der Heckenschere zu schweren Personenschäden führen.
3. **Tragen Sie die Heckenschere mit angehaltenem Schneidblatt am Griff. Transportieren und lagern Sie die Heckenschere immer mit aufgesetztem Schutz über dem Schneidblatt.** Durch einen sachgemäßen Umgang mit der Heckenschere können Sie mögliche Personenschäden durch die Schneidblätter vermindern.
4. **Halten Sie das Kabel in einem Abstand zum Schneidbereich.** Während des Betriebs kann sich das Kabel im Gestrüpp verbergen und versehentlich durch das Blatt zerschnitten werden.
5. Verwenden Sie die Heckenschere nicht, während es regnet, oder bei nassen oder sehr feuchten Bedingungen. Der Elektromotor ist nicht wasserdicht.
6. Erstmalige Anwender sollten sich von erfahrenen Anwendern die Verwendung der Heckenschere zeigen lassen.

7. Kinder und Jugendliche unter 18 Jahren dürfen die Heckenschere nicht bedienen. Jugendliche über 16 Jahren sind von diesem Verbot ausgenommen, wenn sie zum Zweck der Ausbildung unter Aufsicht eines Fachkundigen stehen.
8. Betreiben Sie die Heckenschere nur, wenn Sie in guter physischer Verfassung sind. Falls Sie müde sind, lässt Ihre Aufmerksamkeit nach. Seien Sie am Ende eines Arbeitstages besonders aufmerksam. Führen Sie alle Arbeiten ruhig und sorgfältig durch. Der Anwender ist für alle Schäden an Dritten verantwortlich.
9. Verwenden Sie die Heckenschere niemals unter Einfluss von Alkohol, Drogen oder Medikamenten.
10. Prüfen Sie, dass die Spannung und Frequenz der Stromversorgung den auf dem Typenschild angegebenen Technischen Daten entspricht. Wir empfehlen die Verwendung eines Fehlerstrom-Schutzschalters (FI-Schutzschalter) mit einem Auslösestrom von max. 30 mA oder eines Erdschlussstrom-Schutzes.
11. Arbeitshandschuhe aus festem Leder sind Teil der Grundausstattung der Heckenschere und müssen stets bei Arbeiten mit der Heckenschere getragen werden. Tragen Sie außerdem feste Schuhe mit rutschfesten Sohlen.
12. Überprüfen Sie vor Beginn der Arbeiten, dass die Heckenschere ordnungsgemäß und sicher arbeitet. Stellen Sie sicher, dass die Sicherheitsabdeckungen ordnungsgemäße angebracht sind. Überprüfen Sie das Kabel vor Beginn der Arbeiten auf Beschädigungen und ersetzen Sie es bei Bedarf. Die Heckenschere darf nur vollständig montiert verwendet werden.
13. Halten Sie das Kabel in einem Abstand zum Schneidbereich. Arbeiten Sie immer so, dass sich das Verlängerungskabel hinter Ihnen befindet.
14. Ziehen Sie bei einem beschädigten oder angeschnittenen Kabel sofort den Netzstecker!
15. Überprüfen Sie vor Beginn der Arbeiten, dass Sie einen sicheren Stand haben.
16. Halten Sie das Werkzeug bei Verwendung sicher fest.
17. Lassen Sie das Werkzeug nicht unnötig ohne Last laufen.
18. Schalten Sie den Motor sofort aus und ziehen Sie den Netzstecker, wenn die Schere mit einem Anschlag oder einem anderen harten Gegenstand in Kontakt kam. Überprüfen Sie die Schere auf Beschädigungen, und reparieren Sie sie bei Bedarf.
19. Schalten Sie die Heckenschere stets aus und ziehen Sie den Hauptstecker, bevor Sie die Schere überprüfen, sich um Fehler kümmern oder in der Schere verklemmtes Material entfernen.
20. Schalten Sie den Trimmer aus, ziehen und sichern Sie den Hauptstecker, bevor Sie Wartungsarbeiten durchführen.
21. Ziehen Sie stets den Netzstecker und bringen Sie stets die Schneidmesserabdeckung auf dem Schneidmesser an, wenn Sie die Heckenschere an einen anderen Ort umsetzen, auch im Verlauf der Arbeiten. Tragen oder transportieren Sie die Heckenschere niemals mit laufendem Schneidmesser. Fassen Sie die Schneidmesser niemals mit den Händen an.
22. Reinigen Sie die Heckenschere und besonders das Schneidblatt nach der Verwendung und vor der Lagerung der Heckenschere über einen längeren Zeitraum. Ölen Sie das Schneidblatt leicht und bringen Sie die Abdeckung an. Die mit dem Gerät gelieferte Abdeckung kann an die Wand gehängt werden und bietet so eine sichere und praktische Möglichkeit zur Lagerung der Heckenschere.
23. Lagern Sie die Heckenschere mit angebrachter Abdeckung in einem trockenem Raum. Lagern Sie die Heckenschere außerhalb der Reichweite von Kindern. Lagern Sie die Heckenschere niemals im Freien.
24. **Lassen Sie das Werkzeug nicht unnötig ohne Last laufen.**

BEWAHREN SIE DIESE ANWEISUNGEN AUF.

WARNUNG:

Lassen Sie sich NIE durch Bequemlichkeit oder (aus fortwährendem Gebrauch gewonnener) Vertrautheit mit dem Werkzeug dazu verleiten, die Sicherheitsregeln für das Werkzeug zu missachten. Bei MISSBRÄUCLICHER Verwendung des Werkzeugs oder Missachtung der in diesem Handbuch enthaltenen Sicherheitshinweise kann es zu schweren Verletzungen kommen.

FUNKTIONSBESCHREIBUNG

⚠️ACHTUNG:

- Überzeugen Sie sich immer vor dem Einstellen des Werkzeugs oder der Kontrolle seiner Funktion, dass es abgeschaltet und der Stecker aus der Dose gezogen ist.
- Bringen Sie die Messerabdeckung auf den Schneidmessern an, bevor Sie Einstellungen oder Überprüfungen am Werkzeug vornehmen.

Einschalten

Abb.1

Zu Ihrer Sicherheit ist das Werkzeug mit einem Dreifach-Schaltersystem ausgestattet. Zum Einschalten des Werkzeugs drücken Sie den Schalter B und gleichzeitig auch den Schalter A oder C. Lassen Sie zum Ausschalten einen der zwei gedrückten Auslöser los. Die Reihenfolge der Schalterbetätigung ist unwichtig, da das Werkzeug nur startet, wenn beide Schalter betätigt werden.

Gerader Schnitt

Abb.2

Zum geraden Schneiden der Hecke betätigen Sie die Schalter A und B.

Vertikaler Schnitt

Abb.3

Betätigen Sie zum Schneiden nach oben mit beiden Händen die Schalter B und C und bewegen Sie die Heckenschere vor Ihrem Körper.

MONTAGE

⚠️ACHTUNG:

- Ehe Sie am Werkzeug irgendwelche Arbeiten beginnen, überzeugen Sie sich immer vorher, dass es abgeschaltet und der Stecker aus der Dose gezogen ist.

Anbringen des Verlängerungskabels

⚠️ACHTUNG:

- Vergewissern Sie sich, dass das Verlängerungskabel nicht an die Hauptsteckdose angeschlossen ist.

Abb.4

Sichern Sie beim Anschließen des Verlängerungskabels dieses am Werkzeugkabel mit dem Kompletthaken. Bringen Sie den Haken im Abstand von 100 bis 200 mm vom Stecker des Verlängerungskabels an. Dadurch wird ein versehentliches Abtrennen verhindert.

Kabelhalter für Gürtel

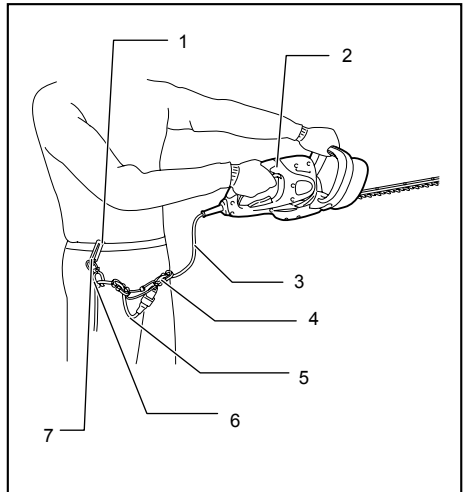
⚠️ACHTUNG:

- Bringen Sie den Kabelhalter für den Gürtel nur am Verlängerungskabel an. Befestigen Sie diesen

nicht in einer Position zu nahe am Werkzeug, hinter dem Kompletthaken. Anderenfalls kann es zu einem Unfall oder Verletzungen kommen.

- Befestigen Sie einen Haken des Kompletthakens am Werkzeugkabel und den anderen Haken am Verlängerungskabel. Das Arbeiten mit dem Werkzeug mit nur einem befestigten Haken kann zu einem Unfall oder Verletzungen führen.

Die Verwendung des Kabelhalters für den Gürtel unterstützt die Risikominimierung des versehentlichen Abschneidens des losen Verlängerungskabels.



1. Haken
2. Werkzeug
3. Werkzeugkabel
4. Kompletthaken
5. Verlängerungskabel
6. Halterung
7. Kabelhalter für Gürtel

009401

Abb.5

Drücken oder ziehen Sie das Kabel durch die Öffnung in der Halterung.

⚠️ACHTUNG:

- Überlasten Sie die Öffnung der Halterung nicht. Anderenfalls kann es zu einer Durchbiegung oder Beschädigung kommen.

Kabelhalter für Arm (Zubehör)

⚠️ACHTUNG:

- Bringen Sie den Kabelhalter für den Arm nur am Verlängerungskabel an. Befestigen Sie diesen nicht in einer Position zu nahe am Werkzeug, hinter dem Kompletthaken. Anderenfalls kann es zu einem Unfall oder Verletzungen kommen.
- Befestigen Sie einen Haken des Kompletthakens am Werkzeugkabel und den anderen Haken am

Verlängerungskabel. Das Arbeiten mit dem Werkzeug mit nur einem befestigten Haken kann zu einem Unfall oder Verletzungen führen.

Die Verwendung des Kabelhalters für den Arm unterstützt die Risikominimierung des versehentlichen Abschneidens des losen Verlängerungskabels.

Abb.6

Befestigen Sie das Band des Kabelhalters für den Arm fest an Ihrem Arm und führen Sie das Verlängerungskabel durch den Halter. Die Länge des Bandes des Kabelhalters für den Arm ist einstellbar.

ANMERKUNG:

- Führen Sie das Verlängerungskabel nicht durch das Band.
- Überlasten Sie die Öffnung der Halterung nicht. Anderenfalls kann es zu einer Durchbiegung oder Beschädigung kommen.
- Die Verwendung des Kabelhalters für den Arm zusammen mit dem Kabelhalter für den Gürtel ist nützlicher.

ARBEIT

⚠ACHTUNG:

- Achten Sie darauf, dass Sie während des Schneidens nicht versehentlich mit einem metallischen Anschlag oder anderen harten Gegenständen in Berührung kommen. Das Schneidblatt kann brechen und schwere Verletzungen verursachen.
- Das weite Hinauslehnen mit einer Heckenschere, vor allem von einer Leiter aus, ist äußerst gefährlich. Arbeiten Sie niemals von einem wackligen oder unsichern Standort aus.

Abb.7

Schneiden Sie mit dieser Heckenschere keine Äste mit einer Dicke von mehr als 10 mm Durchmesser. Solche Äste sollten zuerst mit einer Schere auf das Niveau der Heckenschere geschnitten werden.

⚠ACHTUNG:

- Schneiden Sie keine toten Äste oder ähnliche harte Gegenstände ab. Zuwiderhandlungen können das Werkzeug beschädigen.

Abb.8

Halten Sie die Heckenschere mit beiden Händen, betätigen Sie die Schalter A und B und bewegen Sie die Heckenschere vor Ihrem Körper.

Abb.9

Abb.10

Neigen Sie im Grundbetrieb die Schneidblätter in Richtung der Trimmrichtung und bewegen Sie die Heckenschere ruhig und langsam mit einer Geschwindigkeit von 3 bis 4 Sekunden pro Meter.

Abb.11

Zum geraden Schneiden einer Heckenoberkante können Sie eine Schnur in der gewünschten Heckenhöhe spannen und diese beim Schneiden als Referenzlinie verwenden.

Abb.12

Befestigen Sie beim Schneiden der Heckengerade die Spanaufnahme (Zubehör) am Werkzeug, um ein Umherfliegen der Blätter zu vermeiden.

Abb.13

Zum gleichmäßigen Schneiden der Heckenseite schneiden Sie diese von unten nach oben.

Abb.14

Schneiden Sie Buchsbaum oder Rhododendron für ein hübsches Aussehen und einen guten Schnitt von der Basis zur Spitze.

Montage und Demontage der Spanaufnahme (Zubehör)

⚠ACHTUNG:

- Schalten Sie das Werkzeug aus und ziehen Sie den Stecker, bevor Sie die Spanaufnahme einsetzen oder entfernen.

ANMERKUNG:

- Tragen Sie beim Austauschen der Spanaufnahme immer Arbeitshandschuhe, sodass Sie das Schneidblatt nicht direkt mit den Händen berühren. Anderenfalls kann es zu Verletzungen kommen.
- Achten Sie vor dem Einsetzen der Spanaufnahme darauf, dass Sie die Schneidblattabdeckung entfernt haben.
- Die Spanaufnahme fängt die abgeschnittenen Blätter auf und erleichtert das Aufsammeln der abgefallenen Blätter. Die Spanaufnahme kann an jeder Seite des Werkzeugs befestigt werden.

Abb.15

Abb.16

Zu diesem Zeitpunkt muss die Spanaufnahme angebracht werden, damit die Haken in die Kerben im Schneidblatt passen.

Abb.17

Zum Entfernen der Spanaufnahme drücken Sie den Hebel an beiden Seiten, sodass die Haken freigegeben werden.

⚠ACHTUNG:

- Die Schneidblattabdeckung (Standardausrüstung) kann bei angebrachter Spanaufnahme nicht montiert werden. Entfernen Sie vor dem Transport oder der Lagerung die Spanaufnahme und bringen Sie die Schneidblattabdeckung an, um ein Freiliegen des Blattes zu vermeiden.

ANMERKUNG:

- Prüfen Sie vor der Verwendung die sichere Installation der Spanaufnahme.

- Wenden Sie beim Entfernen der Spanaufnahme keine übermäßigen Kräfte an, wenn die Haken in den Blattkerben eingerastet sind. Die Anwendung übermäßiger Kräfte kann zu Beschädigungen führen.

WARTUNG

⚠️ ACHTUNG:

- Bevor Sie mit der Kontrolle oder Wartung des Werkzeugs beginnen, überzeugen Sie sich immer, dass es ausgeschaltet und der Stecker aus der Steckdose herausgezogen ist.

Reinigen des Werkzeugs

Reinigen Sie das Werkzeug, indem Sie den Staub mit einem trockenen oder in Seifenlösung getunkten Lappen abwischen.

⚠️ ACHTUNG:

- Verwenden Sie zum Reinigen niemals Kraftstoffe, Benzin, Verdünnern, Alkohol oder ähnliches. Dies kann zu Verfärbungen, Verformungen oder Rissen führen.

Wartung des Sägeblatts

Schmieren Sie das Messer vor dem Betrieb und nach jeder halben Betriebsstunde mit Maschinenöl oder ähnlichem.

Entfernen Sie nach dem Betrieb den Staub von beiden Seiten des Blattes mit einer Drahtbürste, wischen Sie den Staub mit einem Lappen ab und tragen Sie anschließend dünnflüssiges Öl, z.B. Maschinenöl usw., oder Sprüh schmieröl auf.

⚠️ ACHTUNG:

- Waschen Sie die Blätter nicht mit Wasser ab. Zu widerhandlungen können zum Rosten führen oder das Werkzeug beschädigen.
- Tragen Sie bei Wartungsarbeiten am Schneidmesser Handschuhe.

Lagerung

Bringen Sie die Blattabdeckung auf den Schneidblättern an, damit die Blätter nicht frei liegen. Bewahren Sie das Werkzeug außerhalb der Reichweite von Kindern auf.

Bewahren Sie das Werkzeug an einem Platz auf, wo es weder Wasser noch Regen ausgesetzt ist.

Zur Aufrechterhaltung der SICHERHEIT und ZUVERLÄSSIGKEIT des Produkts müssen die Reparaturen, die Kontrolle und der Wechsel der Kohlen sowie alle Wartungen und Einstellungen von den autorisierten Servicestellen der Firma Makita und unter Verwendung der Ersatzteile von Makita durchgeführt werden.

SONDERZUBEHÖR

⚠️ ACHTUNG:

- Für Ihr Werkzeug Makita, das in dieser Anleitung beschrieben ist, empfehlen wir folgende Zubehörteile und Aufsätze zu verwenden. Bei der Verwendung anderer Zubehörteile oder Aufsätze kann die Verletzungsgefahr für Personen drohen. Die Zubehörteile und Aufsätze dürfen nur für ihre festgelegten Zwecke verwendet werden.

Wenn Sie nähere Informationen bezüglich dieses Zubehörs benötigen, wenden Sie sich bitte an Ihre örtliche Servicestelle der Firma Makita.

- Schneidblattabdeckung
- Kompletthaken
- Kabelhalter für Gürtel
- Kabelhalter für Arm
- Spanaufnahme

ANMERKUNG:

- Einige der in der Liste aufgeführten Elemente sind dem Werkzeugpaket als Standardzubehör beigelegt. Diese können in den einzelnen Ländern voneinander abweichen.

MAGYAR (Eredeti útmutató)

Az általános nézet magyarázata

| | | |
|--------------------------|-------------------------------------|--|
| 1-1. B kioldókapcsoló | 6-1. Tartó | 15-3. Anya |
| 1-2. A kioldókapcsoló | 6-2. Karakasztó-heveder | 15-4. Nyírókés |
| 1-3. C kioldókapcsoló | 10-1. Nyírási irány | 16-1. Akasztók |
| 4-1. Akasztó készlet | 10-2. Döntse meg a késeket | 16-2. Illesse az akasztókat a vájatba |
| 4-2. A szerszám vezetéke | 10-3. A nyírni kívánt sövényfelület | 16-3. Hornyok |
| 4-3. Hosszabbító kábel | 11-1. Zsineg | 17-1. Nyomja meg az akasztót a két oldalán |
| 5-1. Tartó | 15-1. Nyomja le | 17-2. Oldja ki az akasztókat |
| 5-2. Vezeték | 15-2. Forgácsolja | |

RÉSZLETES LEÍRÁS

| Modell | UH4261 | UH4861 | UH5261 |
|---|--------|--------|--------|
| Kés hossza | 420 mm | 480 mm | 520 mm |
| Löketszám percenként (min ⁻¹) | 1600 | 1600 | 1600 |
| Teljes hossz | 821 mm | 871 mm | 921 mm |
| Tiszta tömeg | 2,9 kg | 3,0 kg | 3,0 kg |
| Biztonsági osztály | II/II | | |

- Folyamatos kutató- és fejlesztőprogramunk eredményeként az itt felsorolt tulajdonságok figyelemzetés nélkül megváltozhatnak.
- A tulajdonságok országról országra különbözhetnek.
- Súly, az EPTA 01/2003 eljárás szerint

END220-4

Jelölés

A következőkben a berendezésen használt jelképek láthatók. A szerszám használata előtt bizonyosodjon meg arról hogy helyesen értelmezi a jelentésüket.



- Olvassa el a használati útmutatót.



- KETTŐS SZIGETELÉS



- Ne tegye ki a szerszámot esőnek.



- Azonnal távolítsa el a csatlakozódugót a tápellátásról, ha a kábel megsérül vagy elszakad.



- Csak az EU országokban Ne dobjon ki elektromos berendezést háztartási hulladékkal együtt!

Tekintettel az elektronikus és elektromos hulladékokkal foglalkozó 2002/96/EC európai uniós irányelvre és annak a nemzeti törvényekkel összhangban történő alkalmazására, az életkora végét elérő elektromos berendezéseket elkülönítve kell begyűjteni és természetbarát újfelfelhasználó üzemben feldolgozni.

ENE014-1

Rendeltetésszerű használat

A szerszám a sövény nyírására szolgál.

ENF002-1

Tápegység

A szerszám csak a névtáblán feltüntetett feszültségű, egyfázisú váltakozófeszültségű hálózathoz

csatlakoztatható. A szerszám az európai szabványok szerinti kettős szigeteléssel van ellátva, így táplálható földelővezeték nélküli csatlakozóaljzatból is.

ENG905-1

Zaj

A tipikus A-súlyozású zajszint, a EN60745szerint meghatározva:

angnyomásszint (L_{pA}) : 82 dB(A)
Hangteljesítményszint (L_{WA}) : 93 dB(A)
Bizonytalanság (K) : 2,1 dB(A)

Viseljen fülvédőt.

ENG900-1

Vibráció

A vibráció teljes értéke (háromtengelyű vektorösszeg) EN60745 szerint meghatározva:

Munka mód: sövényvágás
Vibráció kibocsátás (a_{rh}) : 6,7 m/s²
Bizonytalanság (K): 1,5 m/s²

ENG901-1

- A rezgés kibocsátás értéke a szabványos vizsgálati eljárásnak megfelelően lett mérve, és segítségével az elektromos kéziszerszámok összehasonlíthatók egymással.
- A rezgés kibocsátás értékének segítségével előzetesen megbecsülhető a rezgésnek való kitettség mértéke.

FIGYELMEZTETÉS:

- A szerszám rezgés kibocsátása egy adott alkalmazásnál eltérhet a megadott értéktől a

használat módjától függően.

- Határozza meg a kezelő védelmét szolgáló munkavédelmi lépéseket, melyek az adott munkafeladatok melletti vibrációs hatás becsült mértékén alapulnak (figyelembe véve a munkaciklus elemeit, mint például a gép leállításának és üresjáratának mennyiségét az elindítások száma mellett).

ENH021-6

Csak európai országokra vonatkozóan

EK Megfelelőségi nyilatkozat

Mi, a Makita Corporation, mint a termék felelős gyártója kijelentjük, hogy a következő Makita gép(ek):

Gép megnevezése:

Sövényvágó

Típuszám/ Típus: UH4261, UH4861, UH5261

Műszaki adatok: lásd a „RÉSZLETES LEÍRÁS” táblázatban.

sorozatgyártásban készül, és

Megfelel a következő Európai direktíváknak:

2000/14/EK, 2006/42/EK

És gyártása a következő szabványoknak valamint szabványosított dokumentumoknak megfelelően történik:

EN60745

A műszaki dokumentáció Európában a következő hivatalos képviselőnkél található:

Makita International Europe Ltd.

Michigan Drive, Tongwell,

Milton Keynes, Bucks MK15 8JD, Anglia

A 2000/14/EK irányelv által előírt megfelelőségi értékelési eljárás az V. függelék szerint történt.

Mért hangteljesítményszint: 93dB (A)

Garantált hangteljesítményszint: 96dB (A)

23.07.2010



000230

Tomoyasu Kato

Igazgató

Makita Corporation

3-11-8, Sumiyoshi-cho,

Anjo, Aichi, 446-8502, JAPÁN

GEA010-1

A szerszámgépekre vonatkozó általános biztonsági figyelmeztetések

⚠ FIGYELEM Olvassa el az összes biztonsági figyelmeztetést és utasítást. Ha nem tartja be a figyelmeztetéseket és utasításokat, akkor áramütést, tüzet és/vagy súlyos sérülést okozhat..

Őrizzen meg minden figyelmeztetést és utasítást a későbbi tájékozódás érdekében.

GEB041-8

A SÖVENYVÁGÓRA VONATKOZÓ BIZTONSÁGI FIGYELMEZTETÉSEK

1. **Az elektromos szerszámot kizárólag a szigetelt markolási felületeinél fogva tartsa, mivel fennáll a veszélye, hogy a vágókés rejtett vezetékbe vagy saját vezetékébe ütközik. A vágókés "élő" vezetékkel való érintkezéskor a szerszám fém alkatrészei is áram alá kerülnek, és megrázzhatják a kezelőt.**
2. **Tartsa távol a testrészeit a vágókéstől. Ne távolítsa el a levágott anyagot, és ne tartsa a levágni kívánt anyagot, ha a kések mozognak. Ügyeljen rá, hogy kikapcsolja, mielőtt eltávolítja az elakadt anyagot. A sövényvágó használata közben egy figyelmen kívül hagyott pillanat is komoly személyi sérüléshez vezethet.**
3. **A sövényvágót a fogantyúnál fogva, leállított vágókéssel szállítsa. A sövényvágó szállításakor vagy tárolásakor mindig rakja fel a vágóeszköz fedelét. A sövényvágó helyes kezelése lecsökkenti a vágókések okozta személyi sérülések bekövetkeztének valószínűségét.**
4. **Tartsa távol a vezetékét a vágási területtől. Használat közben a vezetékét a bokor ágai elfedhetik, és a kés véletlenül átvághatja azt.**
5. **Ne használja a sövényvágót esőben, nedves vagy nagyon párák körülmények között. Az elektromos motor nem vízálló.**
6. **A szerszámot először használó személyeknek egy tapasztalt sövénynyíróknak kell megmutatnia a vágó használatát.**
7. **18 év alatti fiatalok vagy gyerekek nem használhatják a sövényvágót. 16 év feletti fiatalok mentesülhetnek ezen tilalom alól, ha szakember részvételével betanításban részesülnek.**
8. **Csak akkor használja a sövényvágót, ha jó fizikai állapotban van. A fáradtság például figyelmetlenséghez vezethet. Különös figyelmet kell fordítani a munkanap végére. Minden munkát nyugodtan és elővigyázatosan végezzen. A harmadik félnek okozott károkért a felhasználó felelős.**
9. **Soha ne használja a sövényvágót alkohol, kábítószer vagy gyógyszer hatása alatt.**
10. **Ellenőrizze, hogy az áramforrás feszültsége és frekvenciája megfelel az azonosító lapon megadott műszaki adatoknak. Javasoljuk 30 mA vagy alacsonyabb áramerősségen kioldó visszamaradó áramú áramkör-megszakító (földzárlat áramkör-megszakító) vagy érintésvédő**

kapcsoló használatát.

11. Az erős bőrből készült munkakesztyűk a sövényvágó alapfelszerelésének részét képezik és a használatkor mindig fel kell venni azokat. Emellett viseljen kemény lábbelit csúszásgátló talppal.
12. A munka megkezdése előtt ellenőrizze, hogy a sövényvágó állapota jó és megfelelő a biztonságos munkavégzésre. Ügyeljen rá, hogy a védőburkolatok megfelelően fel legyenek szerelve. A munka megkezdése előtt ellenőrizze a vezetéket a sérülések tekintetében és szükség esetén cserélje ki. A sövényvágót csak teljesen összeszerelt állapotban szabad használni.
13. Tartsa távol a vezetéket a vágási területtől. Mindig úgy végezze a vágást, hogy a hosszabbító vezeték a háta mögött legyen.
14. Ha a vezeték megsérült, vagy átvágták, azonnal szerelje le a csatlakozódugót.
15. A használat megkezdése előtt ellenőrizze, hogy biztonságosan áll.
16. A szerszámot erősen fogja használat közben.
17. Ne működtesse a szerszámot terhelés nélkül főlegesen.
18. Azonnal kapcsolja ki a motort és áramtalanítsa a szerszámot, ha a vágó a kerítéshez vagy más kemény tárgyhoz ért. Ellenőrizze a vágót sérülések tekintetében, javítsa meg, ha megsérült.
19. A vágó ellenőrzése, a hibák kijavítása vagy a vágóban elakadt anyag eltávolítása előtt mindig kapcsolja ki a sövényvágót és áramtalanítsa azt.
20. Bármilyen karbantartási művelet megkezdése előtt kapcsolja ki a sövényvágót és húzza ki a dugaszt.
21. Minden esetben áramtalanítsa a szerszámot és helyezze a késvédőt a vágókésekre a sövényvágó mozgásakor (munka közben is). Soha ne vigye, vagy szállítsa a sövényvágót mozgó vágóval. Soha ne markolja meg a kezével a vágót.
22. A használat után, és ha hosszabb időre elrakja, akkor tisztítsa meg a sövényvágót, különösen odafigyelve a vágóra. Kissé olajozza be a vágót és helyezze fel a fedelet. A készülékhez mellékelt fedél felakasztható a falra, biztonságos és praktikus módját biztosítva így a sövényvágó tárolásának.
23. A sövényvágót felrakott fedéllel tárolja, száraz helyiségben. Tartsa távol a gyerekektől. Soha ne tárolja a sövényvágót a szabadban.
24. **Ne működtesse a szerszámot terhelés nélkül főlegesen.**

⚠FIGYELMEZTETÉS:

NE HAGYJA, hogy a kényelem vagy a termék (többszöri használatból adódó) mind alaposabb ismerete váltsa fel az adott termékre vonatkozó biztonsági előírások szigorú betartását. A HELYTELEN HASZNÁLAT és a használati útmutatóban szereplő biztonsági előírások megszegése súlyos személyi sérülésekhez vezethet.

ŐRIZZE MEG EZEKET AZ UTASÍTÁSOKAT

MŰKÖDÉSI LEÍRÁS

⚠VIGYÁZAT:

- Mindig bizonyosodjon meg a szerszám kikapcsolt és a hálózathoz nem csatlakoztatott állapotáról mielőtt ellenőrzi vagy beállítja azt.
- Helyezze fel a késvédőt a nyírókésekre az eszköz beállítása vagy ellenőrzése előtt.

A kapcsoló használata

Fig.1

Az Ön biztonsága érdekében a szerszám hármas kapcsolórendszerrel van felszerelve. Az eszköz bekapcsolásához, egyszerre nyomja le a B kioldókapcsolót és az A vagy a C kioldókapcsolót. Engedje fel bármelyik lenyomott kioldókapcsolót a kikapcsoláshoz. A bekapcsolás sorrendje nem fontos, hiszen a szerszám csak akkor indul el, ha mind a két kapcsoló aktiválva van.

Egyenes vágás

Fig.2

A sövény egyenesre vágásához húzza meg az A és B kioldókapcsolókat.

Függőleges vágás

Fig.3

A felfelé vágáshoz mindkét kezével húzza meg a B és C kioldókapcsolókat és mozgassa a szerszámot a teste előtt.

ÖSSZESZERELÉS

⚠VIGYÁZAT:

- Mindig bizonyosodjon meg a szerszám kikapcsolt és a hálózathoz nem csatlakoztatott állapotáról mielőtt bármilyen munkát végezne rajta.

A hosszabbító kábel használata

⚠VIGYÁZAT:

- Ügyeljen rá, hogy a hosszabbító kábel ne legyen az elektromos hálózathoz kapcsolva.

Fig.4

A hosszabbító kábel használatakor rögzítse azt a szerszám vezetékéhez az akasztó kiegészítővel. Rögzítse az akasztót körülbelül 100 - 200 mm-re a hosszabbító kábel csatlakozójától. Ez segít elkerülni a véletlen szétkapcsolódást.

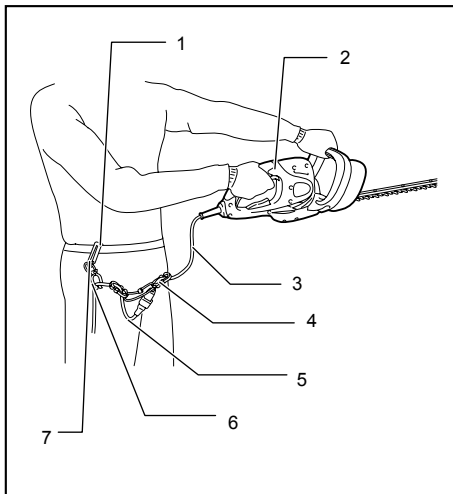
Derékakasztó a vezetékhez

⚠VIGYÁZAT:

- Ne akasszon mást a derékakasztóra a hosszabbító kábelen kívül. Ne akassza be úgy, hogy a szerszám és az akasztó kiegészítő közé kerüljön. Ennek figyelmen kívül hagyása balesethez vagy személyi sérüléshez vezethet.

- Szilárdan rögzítse az akasztó kiegészítő egyik végét a szerszám vezetékéhez, a másikat pedig a hosszabbító kábelhez. A szerszám használata úgy, hogy csak az egyik vég van beakasztva, balesetet vagy sérülést okozhat.

A derékakasztó használata segít minimalizálni a hosszabbító kábel átvágásának kockázatát a hosszabbító kábel elvesztése miatt.



1. Övtartó
2. Szerszám
3. A szerszám vezetéke
4. Akasztó készlet
5. Hosszabbító kábel
6. Tartó
7. Derékakasztó a vezetékhez

009401

Fig.5

Nyomja be vagy húzza ki a vezetéket a tartó nyílásán.

⚠VIGYÁZAT:

- Ne erőltesse a tartó kinyitását. Ennek elmulasztása annak meghajlását és sérülését okozhatja.

Karakasztó a vezetékhez (tartozék)

⚠VIGYÁZAT:

- Ne csatlakoztasson mást a karakasztóra a hosszabbító kábelen kívül. Ne akassza be úgy, hogy a szerszám és az akasztó kiegészítő horgai közé kerüljön. Ennek figyelmen kívül hagyása balesethez vagy személyi sérüléshez vezethet.
- Szilárdan rögzítse az akasztó kiegészítő egyik végét a szerszám vezetékéhez, a másikat pedig a hosszabbító kábelhez. A szerszám használata úgy, hogy csak az egyik vég van beakasztva, balesetet vagy sérülést okozhat.

A karakasztó használata segít minimalizálni a hosszabbító kábel átvágásának kockázatát a hosszabbító kábel elvesztése miatt.

Fig.6

Szilárdan rögzítse a karakasztó-hevedert, a karja köré tekerve azt, és vezesse át a hosszabbító kábelt a tartón. A karakasztó hevederének hossza állítható.

MEGJEGYZÉS:

- A hosszabbító kábelt ne a heveder alatt vezesse el.
- Ne erőltesse a tartó kinyitását. Ennek elmulasztása annak meghajlását és sérülését okozhatja.
- A karakasztó használata a derékakasztóval együtt sokkal praktikusabb.

ÜZEMELTETÉS

⚠VIGYÁZAT:

- Ügyeljen rá, nehogy véletlenül hozzáérjen egy fémerkítéshez vagy más kemény tárgyhoz a nyírás közben. A kés eltörik, és komoly sérülést okozhat.
- A sövényvágóval az átnyúlás, különösen egy létráról, különösen veszélyes. Ne dolgozzon semmilyen billegő vagy nem stabil helyről.

Fig.7

Ne próbáljon 10 mm-nél nagyobb átmérőjűágakat ezzel a vágóval. Ezeket előbb a nyíróval a sövényvágási szintre kell vágni.

⚠VIGYÁZAT:

- Ne vágjon kiszáradt fákat, vagy más kemény tárgyakat. Ennek figyelmen kívül hagyása a szerszám károsodásához vezet.

Fig.8

Mindkét kezével húzza meg az A és B kioldókapcsolókat, és mozgassa a szerszámot a teste előtt.

Fig.9

Fig.10

Alapvető műveletként döntse meg a késeket a nyírás irányában és mozgassa azt nyugodt, lassú tempóban, 3 - 4 másodpercet számítva egy méterre.

Fig.11

A sövény tetejének egyenes vágásakor segít, ha egy kötelet feszít ki a kívánt magasságban és ezt referenciavonalnak használva ennek mentén végzi a nyírást.

Fig.12

A forgácstálca (kiegészítő) felszerelése a sövény egyenes vágásakor segít megelőzni a levágott levelek elszóródását.

Fig.13

A sövény oldalának egyenletes vágásakor segít, ha alulról felfelé halad a vágással.

Fig.14

Puszpáng vagy rododendron nyírásakor alulról felfelé haladva szép megjelenés és jó minőségű munka érhető el.

A forgácstálca (tartozék) felhelyezése és eltávolítása

⚠VIGYÁZAT:

- Minden esetben ellenőrizze, hogy a szerszám ki van kapcsolva és áramtalanítva lett, mielőtt felhelyezi vagy eltávolítja a forgácstalcát.

MEGJEGYZÉS:

- A forgácstálca felszereléskor mindig viseljen kesztyűt, hogy a kezei és az arca ne érnének közvetlenül a késhez. Ennek figyelmen kívül hagyása személyi sérüléshez vezethet.
- Ügyeljen rá, hogy a forgácstálca felszerelése előtt mindig vegye le a késvédőt.
- A forgácstálca összegyűjti a levágott leveleket csökkenti a szétszóródó levelek mennyiségét. Ez a szerszám mindkét oldalára felszerelhető.

Fig.15

Fig.16

Most a forgácstalcát úgy kell felszerelni, hogy az akasztók illeszkedjenek a nyírókés egységen található vágatokba.

Fig.17

A forgácstálca eltávolításához nyomja le a kart annak két oldalán, hogy az akasztók kioldjanak.

⚠VIGYÁZAT:

- A késvédő (standard felszerelés) nem szerelhető fel a szerszámmra, ha a forgácsvédő fel van rakva. A szállítás vagy tárolás előtt vegye le a forgácstalcát, majd szerelje fel a késvédőt a kés megvédése érdekében.

MEGJEGYZÉS:

- A használat előtt ellenőrizze a forgácstálca biztonságos rögzítését.
- Soha ne próbálja túlzott erővel eltávolítani a forgácstalcát, ha az akasztói rögzítve vannak a kés egység vágataiban. A túlzott erő alkalmazása károsíthatja azt.

KARBANTARTÁS

⚠VIGYÁZAT:

- Mindig bizonyosodjék meg arról hogy a szerszám kikapcsolt és a hálózatra nem csatlakoztatott állapotban van mielőtt a vizsgálatához vagy karbantartásához kezdene.

A szerszám tisztítása

Tisztítsa meg a szerszámot úgy, hogy letörli a port egy száraz, vagy szappanos vízbe mártott rongydarabbal.

VIGYÁZAT:

- Soha ne használjon gázolajt, benzint, higítót, alkoholt vagy hasonló anyagokat. Ezek elszineződést, alakvesztést vagy repedést okozhatnak.

A kés karbantartása

Kenje meg a kést a használat előtt és közben fél óránként egyszer gépolajjal, vagy más hasonló rendeltetésű anyaggal.

A használat után egy drótkéfével távolítsa el a port a kés mindkét oldaláról, törölje le egy rongydarabbal, majd kenje meg megfelelő mennyiségű alacsony viszkozitású olajjal, mint például gépolajjal, stb. És aeroszolos kenőolajjal.

VIGYÁZAT:

- Ne mossa a késeket vízben. Ennek figyelmen kívül hagyása a szerszám károsodásához vezet.
- Viseljen kesztyűt a kés karbantartásakor.

Tárolás

Helyezze fel a késvédőt a nyírókésekre úgy, hogy a kések ne látsszanak. A szerszámot olyan helyen tárolja, ahol gyerekek nem érhetik el.

A szerszámot olyan helyen tárolja, amely nincs kitéve víznek vagy esőnek.

A termék BIZTONSÁGÁNAK és MEGBÍZHATÓSÁGÁNAK fenntartásához, a javításokat, a szénkéfék ellenőrzését és cseréjét, bármilyen egyéb karbantartást vagy beszabályozást a Makita Autorizált Szervizközpontoknak kell végrehajtaniuk, mindig Makita pótalkatrészek használatával.

OPCIONÁLIS KIEGÉSZÍTŐK

VIGYÁZAT:

- Ezek a tartozékok vagy kellékek ajánlottak az Önnek ebben a kézikönyvben leírt Makita szerszámához. Bármely más tartozék vagy kellék használata személyes veszélyt vagy sérülést jelenthet. A tartozékot vagy kelléket használja csupán annak kifejezett rendeltetésére.

Ha bármilyen segítségre vagy további információkra van szüksége ezekkel a tartozékokkal kapcsolatban, keresse fel a helyi Makita Szervizközpontot.

- Késvédő
- Akasztó készlet
- Derékakasztó a vezetékhez
- Karakasztó a vezetékhez
- Forgácstálca

MEGJEGYZÉS:

- A listán felsorolt néhány kiegészítő megtalálható az eszköz csomagolásában standard kiegészítőként. Ezek országonként eltérőek lehetnek.

SLOVENSKÝ (Pôvodné pokyny)

Vysvetlenie všeobecného zobrazenia

| | | |
|--------------------------|--|--|
| 1-1. Tlačidlo vypínača B | 6-2. Pásik s háčikom pre pripavenie k popruhu na plece | 15-3. Matica |
| 1-2. Tlačidlo vypínača A | 10-1. Smer strihania | 15-4. Rezná čepeľ |
| 1-3. Tlačidlo vypínača C | 10-2. Čepele nakloňte | 16-1. Háčiky |
| 4-1. Zostava háčikov | 10-3. Plocha živého plotu, ktorú budete strihať | 16-2. Nasaďte háčiky do drážky |
| 4-2. Kábel náradia | 11-1. Šnúra | 16-3. Žliabky |
| 4-3. Predžiovací kábel | 15-1. Tlak | 17-1. Stlačte háčiky na oboch stranách |
| 5-1. Držiak | 15-2. Lapač odrezkov | 17-2. Odblokujte háčiky |
| 5-2. Kábel | | |
| 6-1. Držiak | | |

TECHNICKÉ ÚDAJE

| Model | UH4261 | UH4861 | UH5261 |
|--------------------------------------|--------|--------|--------|
| Dĺžka čepele | 420 mm | 480 mm | 520 mm |
| Ťahy za minútu (min^{-1}) | 1600 | 1600 | 1600 |
| Celková dĺžka | 821 mm | 871 mm | 921 mm |
| Hmotnosť netto | 2,9 kg | 3,0 kg | 3,0 kg |
| Trieda bezpečnosti | II/II | | |

- Vzhľadom k neustálemu výskumu a vývoju tu uvedené technické údaje podliehajú zmenám bez upozornenia.
- Technické údaje sa môžu pre rozne krajiny líšiť.
- Hmotnosť podľa postupu EPTA 01/2003

END220-4

Symbol

Nižšie sú uvedené symboly, s ktorými sa môžete pri použití nástroja stretnúť. Je dôležité, aby ste skôr, než s ním začnete pracovať, pochopili ich význam.



- Prečítajte si návod na obsluhu.



- DVOJITÁ IZOLÁCIA



- Nevystavujte daždu.



- Ak je kábel poškodený alebo prerezaný, okamžite vyťahnite zástrčku zo sieťovej zásuvky.



- Len pre štáty EU
Nevyhadzujte elektrické zariadenia spolu s domácim odpadom!
Podľa Nariadenia Európskej rady 2002/96/EC o likvidácii elektrických a elektronických zariadení a ich prevádzkovaní v súlade s národnými zákonmi, elektrické zariadenia musia byť potom, čo doslúžia, zhromažďované samostatne a vrátené na ekologickú recykláciu.

ENE014-1

Určené použitie

Toto náradie je určené na strihanie živých plotov.

ENF002-1

Napájanie

Nástroj sa môže pripojiť len k odpovedajúcemu zdroju s napätím rovnakým, aké je uvedené na typovom štítku, a

môže pracovať len s jednofázovým striedavým napätím. V súlade s európskymi normami má dvojitú izoláciu a môže byť preto napájaný zo zásuviek bez uzemňovacieho vodiča.

ENG905-1

Hluk

Typická hladina akustického tlaku pri záťaži A určená podľa EN60745:

Úroveň akustického tlaku (L_{pA}): 82 dB(A)

Hladina akustického výkonu (L_{WA}): 93 dB(A)

Odchýlka (K): 2,1 dB(A)

Používajte chrániče sluchu

ENG900-1

Vibrácie

Celková hodnota vibrácií (trojosový vektorový súčet) určená podľa normy EN60745:

Pracovný režim : sekanie živých plotov

Vyžarovanie vibrácií (a_{hv}): 6,7 m/s^2

Neurčitost' (K): 1,5 m/s^2

ENG901-1

- Deklarovaná hodnota emisií vibrácií bola meraná podľa štandardnej skúšobnej metódy a môže sa použiť na porovnanie jedného náradia s druhým.
- Deklarovaná hodnota emisií vibrácií sa môže použiť aj na predbežné posúdenie vystavenia ich účinkom.

VAROVANIE:

- Emisie vibrácií počas skutočného používania elektrického náradia sa môžu odlišovať od deklarovanej hodnoty emisií vibrácií, a to v závislosti na spôsoboch používania náradia.
- Nezabudnite označiť bezpečnostné opatrenia s cieľom chrániť obsluhu, a to tie, ktoré sa zakladajú na odhade vystavenia účinkom v rámci reálnych podmienok používania (berúc do úvahy všetky súčasti prevádzkového cyklu, ako sú doby, kedy je náradie vypnuté a kedy beží bez zaťaženia, ako dodatok k dobe zapnutia).

ENH021-6

Len pre európske krajiny

Vyhlasenie o zhode so smernicami Európskeho spoločenstva

Naša spoločnosť Makita, ako zodpovedný výrobca prehlasuje, že nasledujúce zariadenie(a) značky Makita:

Označenie zariadenia:

Nožnice na živé ploty

Číslo modelu / Typ: UH4261, UH4861, UH5261

Technické špecifikácie: pozrite si tabuľku „TECHNICKÉ ÚDAJE“.

predstavujú sériovú výrobu

Je v zhode s nasledujúcimi európskymi smernicami:

2000/14/ES, 2006/42/ES

A sú vyrobené podľa nasledujúcich noriem a štandardizovaných dokumentov:

EN60745

Technická dokumentácia sa nachádza u nášho autorizovaného zástupcu v Európe, ktorým je spoločnosť:

Makita International Europe Ltd.

Michigan Drive, Tongwell,

Milton Keynes, Bucks MK15 8JD, Anglicko

Postup posúdenia zhody, ako vyžaduje smernica 2000/14/ES bol zrealizovaný podľa prílohy V.

Meraná úroveň akustického výkonu: 93dB (A)

Garantovaná úroveň akustického výkonu: 96dB (A)

23.07.2010



000230

Tomoyasu Kato

Riaditeľ

Makita Corporation

3-11-8, Sumiyoshi-cho,

Anjo, Aichi, 446-8502, JAPONSKO

Všeobecné bezpečnostné predpisy pre elektronáradie

UPOZORNENIE Prečítajte si všetky upozornenia a inštrukcie. Nedodržiavanie pokynov a inštrukcií môže mať za následok úraz elektrickým prúdom, požiar alebo vážne zranenie.

Všetky pokyny a inštrukcie si odložte pre prípad potreby v budúcnosti.

GEB041-8

BEZPEČNOSTNÉ VÝSTRAHY PRE KROVINOREZ

1. Elektrické náradie pri práci držte len za izolované úchopné povrchy, lebo rezná čepeľ sa môže dostať do kontaktu so skrytými vodičmi alebo vlastným káblom. Rezná čepeľ, ktoré sa dostanú do kontaktu so „živým“ vodičom môžu spôsobiť vystavenie kovových častí elektrického náradia „živému“ prúdu a spôsobiť tak obsluhu zasiahnutie elektrickým prúdom.
2. Zabráňte tomu, aby sa ktorákoľvek časť tela dostala do dosahu reznej čepele. Počas doby, kedy sa čepele pohybujú, neodstraňujte odrezaný materiál ani materiál, ktorý budete odrezávať nedržte. Počas čistenia zaseknutého materiálu náradie vypnite. Chvíľa nepozornosti počas obsluhy nožnic na živé ploty môže mať za následok vážne osobné poranenie.
3. Nožnice na živé ploty prenášajte držiac ich za rukoväť a pri zastavenej reznej čepeľi. Počas prepravy alebo uskladnenia nožnic na živé ploty vždy nasadíte kryt rezného zariadenia. Správna manipulácia s nožnicami na živé ploty zníži riziko možných osobných poranení zapríčinených reznými čepeľami.
4. Kábel vedte mimo strihanej plochy. Počas práce sa môže kábel skryť v kríkoch a môže byť náhodne prerazaný čepeľou.
5. Nožnice na živé ploty nepoužívajte počas dažďa alebo v rámci veľmi mokrych podmienok. Elektrický motor nie je vodotesný.
6. Neskúseným užívateľom by mal používanie nožnic na živé ploty ukázať skúsený užívateľ nožnic na živé ploty.
7. Nožnice na živé ploty nesmú používať deti a mladiství do veku 18 rokov. Osoby staršie ako 16 rokov môžu toto obmedzenie obísť, ak podstúpia zaškolenie pod dohľadom odborníka.
8. S nožnicami na živé ploty pracujte len ak ste v dobrom fyzickom stave. Ak ste unavení, vaša pozornosť bude znížená. Zvlášť opatrní buďte na konci pracovného času. Všetky úkony vykonávajte pokojne a dôkladne. Užívateľ je zodpovedný za škody spôsobené tretím stranám.

9. Nikdy nožnice na živé ploty nepoužívajte pod vplyvom alkoholu, drog alebo liekov.
10. Skontrolujte a presvedčte sa, že napätie a kmitočet pre napájanie zodpovedá technickým špecifikáciám uvedeným na identifikačnom štítku. Odporúčame používať prerušovač obvodu fungujúci na zvyškovom prúde (prerušovač obvodu v prípade porušenia uzemnenia) s hodnotou vypínacieho prúdu 30 mA alebo menej, alebo uzemnenú ochranu pred zvodovým prúdom.
11. Pracovné rukavice z hrubej kože predstavujú základné vybavenie pre nožnice na živý plot a pri práci s nimi je nutné tieto ochranné pomôcky vždy používať. Vždy používajte hrubé topánky s podrážkou zabraňujúcou pošmyknutiu.
12. Pred začatím práce skontrolujte, že nožnice na živé ploty sú v dobrom a bezpečnom prevádzkovom stave. Chrániče nasadte správnym spôsobom. Pred začatím práce skontrolujte, či nie je poškodený kábel a v prípade potreby ho vymeňte. Nožnice na živé ploty sa nesmú používať pokiaľ nie sú úplne zmontované.
13. Nedovoľte, aby sa kábel dostal do reznej plochy. Vždy pracujte takým spôsobom, aby bol predlžovací kábel za vami.
14. Ak je kábel poškodený alebo prerezaný, okamžite vytiahnite zástrčku zo sieťovej zásuvky.
15. Pred začatím prevádzky zaujmite bezpečný postoj.
16. Počas používania náradie držte pevne.
17. Nepoužívajte náradie zbytočne bez záťaže.
18. Ak rezná lišta prišla do styku s oplotením alebo iným tvrdým predmetom, okamžite vypnite motor a vytiahnite zástrčku zo zásuvky. Reznú lištu skontrolujte z pohľadu poškodenia; v prípade poškodenia nechajte okamžite opraviť.
19. Pred kontrolou reznej lišty, vykonávaním chyby, alebo v prípade odstraňovania materiálu zachyteného v nožniciach vždy nožnice vypnite a odpojte od prívodu elektrickej energie.
20. Nožnice vypnite a odpojte od prívodu elektrickej energie a zástrčku pred vykonávaním údržby zabezpečte.
21. Počas prenášania nožníc na živé ploty na iné miesto, vrátane prenášania počas vykonávania práce vždy odpojte zástrčku sieťového kábla a na rezné čepele nasadte kryt čepele. Nikdy neprenášajte ani neprevádzajte nožnice so spusteným rezným náradím. Rezné náradie nikdy nechytajte rukami.
22. Po použití a pred dlhodobým uskladnením nožnic na živé ploty vyčistíte nožnice na živé ploty, a to hlavne ich reznú časť. Reznú lištu zľahka naolejujte a nasadte kryt. Kryt dodávaný s jednotkou je možné zavesiť na stenu, čím dosiahnete bezpečné a praktické uloženie nožnic na živé ploty.
23. Nožnice na živé ploty uskladňujte s nasadeným krytom v suchej miestnosti. Uskladňujte mimo dosahu detí. Nožnice nikdy neuskładňujte vonku.
24. **Nepoužívajte nástroj zbytočne bez záťaže.**

TIETO POKYNY USCHOVAJTE.

VAROVANIE:

NIKDY nepripustíte, aby pohodlie a dobrá znalosť výrobku (získané opakovaným používaním) nahradili presné dodržiavanie bezpečnostných pravidiel pre náradie. NESPRÁVNE POUŽÍVANIE alebo nedodržiavanie bezpečnostných pokynov uvedených v tomto návode na obsluhu môže spôsobiť vážne poranenia osôb.

POPIS FUNKCIE

⚠ POZOR:

- Pred nastavovaním nástroja alebo kontrolou jeho funkcie sa vždy presvedčte, že je vypnutý a vytiahnutý zo zásuvky.
- Pred nastavovaním alebo kontrolou fungovania náradia nasadte na strižné čepele kryt čepele.

Zapínanie

Fig.1

Kvôli vašej vlastnej bezpečnosti je toto náradie vybavené trojnásobným systémom vypínania. Ak chcete náradie zapnúť, stlačte vypínač B a súčasne stlačte vypínač A alebo C. Náradie vypnete uvoľnením jedného z dvoch stlačených vypínačov. Poradie zapínania nie je dôležité, pretože náradie sa spustí jedine v prípade zaktivovania oboidvoch vypínačov.

Rovný rez

Fig.2

Na vykonávanie priameho rezu potiahnite vypínač A a B.

Vertikálny rez

Fig.3

Režte smerom nahor a oboma rukami ťahajte spínač B a C a pohybujte pred svojím telom

MONTÁŽ

⚠ POZOR:

- Než začnete na nástroji robiť akékoľvek práce, vždy sa predtým presvedčte, že je vypnutý a vytiahnutý zo zásuvky.

Zapojenie predlžovacieho kábla

⚠ POZOR:

- Presvedčte sa, že zástrčka predlžovacieho kábla nie je zastrčená do sieťovej zásuvky.

Fig.4

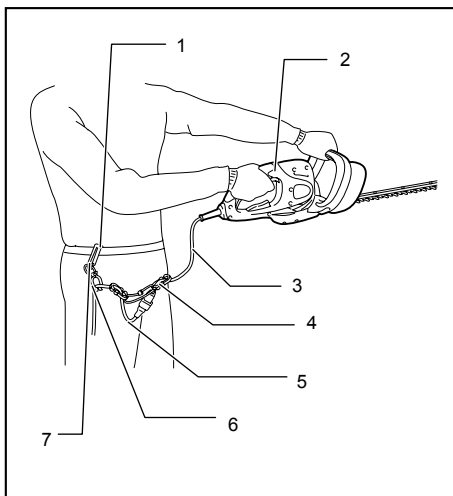
Pri zapájaní predlžovacieho kábla kábel zaistite ku káblu náradia pomocou zostavy háčikov. Háčik pripojte asi 100 - 200 mm od konektora predlžovacieho kábla. Tým zabránite neočakávanému rozpojeniu.

Háčik pre pripevnenie kábla k pásu

⚠ POZOR:

- Držiak háčika pre pripevnenie kábla k pásu nepripájajte k inému než predlžovaciemu káblu. Nepripájajte ho do polohy, ktorá je bližšie k náradia a za zostavu háčikov. Opomenutie by mohlo viesť k nehode alebo osobnému poraneniu.
- Jeden hák háčika zostavy háčikov pevne pripojte ku káblu náradia a druhý háčik zostavy háčikov pripojte ku predlžovaciemu káblu. Práca s náradím iba s pripojeným jedným háčikom môže spôsobiť nehodu a poranenie.

Používanie háčika pre pripevnenie kábla k pásu pomáha minimalizovať riziko prerezania predlžovacieho kábla neočakávane spôsobeného uvoľneným predlžovacím káblom.



1. Háč
2. Náradie
3. Kábel náradia
4. Zostava háčikov
5. Predlžovací kábel
6. Držiak
7. Háčik pre pripevnenie kábla k pásu

009401

Fig.5

Kábel zatlačte alebo pretiahnite cez otvor držiaka.

⚠ POZOR:

- Otvor držiaka nemahajte. V opačnom prípade môže dôjsť k priehybu a jeho poškodeniu.

Háčik pre pripevnenie kábla na rameno (Príslušenstvo)

⚠ POZOR:

- Držiak háčika pre pripevnenie kábla na rameno nepripájajte k inému než predlžovaciemu káblu. Nepripájajte ho do polohy, ktorá je bližšie k náradia a za háčiky zostavy háčikov. Opomenutie by mohlo viesť k nehode alebo osobnému poraneniu.
- Jeden hák háčika zostavy háčikov pevne pripojte ku káblu náradia a druhý háčik zostavy háčikov pripojte ku predlžovaciemu káblu. Práca s náradím iba s pripojeným jedným háčikom môže spôsobiť nehodu a poranenie.

Používanie háčika pre pripevnenie kábla na rameno pomáha minimalizovať riziko prerezania predlžovacieho kábla neočakávane spôsobeného uvoľneným predlžovacím káblom.

Fig.6

Pásik s háčikom na pripevnenie popruhu na plece pevne pripevnite okolo pleca a cez držiak pretiahnite predlžovací kábel. Dĺžka pásika s háčikom na pripevnenie popruhu na plece je nastaviteľná.

POZNÁMKA:

- Predlžovací kábel nevedte cez pásik.
- Otvor držiaka nenamáhajte. V opačnom prípade môže dôjsť k priehybu a jeho poškodeniu.
- Používanie háčika pre pripevnenie kábla na rameno spolu s háčikom pre pripevnenie kábla k pásu je omnoho prospešnejšie.

PRÁCA

⚠POZOR:

- Počas strihania dávajte pozor, aby ste náhodne neprišli do styku s kovovým oplotením alebo ďalšími tvrdými predmetmi. Môže dôjsť k zlomeniu čepele s dôsledkom vážneho poranenia.
- Snaha prekračovať dosah nožníc na živé ploty, a to obzvlášť z rebriku je veľmi nebezpečná. Činnosť strihania nevykonávajte stojac na vratkom a nestabilnom predmete.

Fig.7

Nepokúšajte sa s týmito nožnicami na živé ploty strihať vetvy hrubšie ako 10 mm v priemere. Takéto vetvy treba najprv odseknúť veľkými nožnicami, a to na úroveň vhodnú pre nožnice na živé ploty.

⚠POZOR:

- Nepoužívajte na odstrihovanie odumretých stromov a podobných tvrdých predmetov. Opmenutie môže viesť k poškodeniu náradia.

Fig.8

Nožnice držte oboma rukami, ťahajte spínač A alebo C a pohybujte nožnicami pred svojim telom.

Fig.9

Fig.10

V rámci bežnej prevádzky skloňte čepele smerom ku smeru strihania a pohybujte nimi pokojne a pomaly, a to pri rýchlosti jeden meter za 3 - 4 sekundy.

Fig.11

Na rovné zastrihnutie hornej časti živého plotu pomôže, ak si v požadovanej výške živého plotu natiahnete povraz a strihanie budete vykonávať pozdĺž tohto povrazu, ktorý v tomto prípade predstavuje pomocnú čiaru.

Fig.12

Pripevnenie lapača odrezkov (príslušenstvo) na náradie počas strihania živého plotu v priamom smere môže zabrániť odhadzovaniu odstrihnutých listov.

Fig.13

Kvôli rovnému zostrihnutiu živého plotu je dobré, ak budete strihať smerom zdola nahor.

Fig.14

S cieľom dosiahnuť pekný vzhľad a vykonať dobrú prácu, buxusy alebo azalky rododendron strihajte zdola smerom nahor.

Montáž alebo demontáž lapača odrezkov (príslušenstvo)

⚠POZOR:

- Vždy sa uistite, že je náradie je pred montážou alebo demontážou lapača odrezkov odpojené od prívodu elektrickej energie.

POZNÁMKA:

- Počas nasadzovania lapača odrezkov vždy používajte rukavice a činnosť vykonávajte tak, aby ruky ani tvár neprišli do priameho styku s čepeľou. V opačnom prípade môže dôjsť k osobnému poraneniu.
- Pred nainštalovaním lapača odrezkov vždy snímte kryt čepele.
- Lapač odrezkov zachytáva odrezané listy a uľahčuje zber orezaného lístia. Môže sa namontovať na ktorúkoľvek stranu náradia.

Fig.15

Fig.16

Teraz je potrebné lapač odrezkov nainštalovať tak, aby jeho háčiky zapadli do drážok v jednotke reznej čepele.

Fig.17

Demontáž lapača odrezkov vykonáte tak, že stlačíte páčku na oboch stranách, čím dôjde k odblokovaniu háčikov.

⚠POZOR:

- Kryt čepele (štandardná výbava) nemožno nainštalovať na náradie, na ktorom je nainštalovaný lapač odrezkov. Pred prenášaním alebo uskladnením demontujte najprv lapač odrezkov a následne namontujte kryt čepele, čím zabránite vystaveniu čepele účinkom prostredia.

POZNÁMKA:

- Pred použitím skontrolujte bezpečné namontovanie lapača odrezkov.
- Nikdy sa nepokúšajte lapač odrezkov demontovať vyvíjaním nadmernej sily na háčiky zablokované v drážkach jednotky čepele. Vyvíjaním nadmernej sily môže dôjsť k poškodeniu.

ÚDRŽBA

⚠POZOR:

- Než začnete robiť kontrolu alebo údržbu nástroja, vždy se presvedčte, že je vypnutý a vytiahnutý zo zásuvky.

Čistenie náradia

Náradie čistíte poutieraním prachu pomocou suchej, alebo v saponátovom roztoku namočenej handry.

POZOR:

- Nepoužívajte benzín, riedidlo, alkohol ani nič podobné. Mohlo by to spôsobiť zmenu farby, deformácie alebo praskliny.

Údržba čepele

Čepeľ pred a raz za polhodinu počas prevádzky namažte motorovým olejom alebo podobnou látkou.

Po dokončení prevádzky odstráňte pomocou drôtenej kefy prach z oboch strán čepele, utrite ju handrou a namažte dostatočným množstvom oleja nízkej viskozity, ako je motorový olej a pod. a nastriekaním naneste mazací olej.

POZOR:

- Čepele neumývajte vo vode. Opomenutie môže viesť k hrdzaveniu alebo k poškodeniu náradia.
- Počas vykonávania údržby čepele používajte rukavice.

Uskladnenie

Kryt čepele nasadte na rezné čepele tak, aby čepele neboli odhalené. Náradie bezpečne uskladnite mimo dosahu detí.

Náradie uskladnite na mieste, ktoré nie je vystavené účinkom dažďa ani vody.

Kvôli zachovaniu BEZPEČNOSTI a SPOLAHLIVOSTI výrobku musia byť opravy, kontrola a výmena uhlíkov a akákoľvek ďalšia údržba či nastavovanie robené autorizovanými servisnými strediskami firmy Makita a s použitím náhradných dielov Makita.

VOLITEĽNÉ PRÍSLUŠENSTVO

POZOR:

- Pre váš nástroj Makita, opísaný v tomto návode, doporučujeme používať toto príslušenstvo a nástavce. Pri použití iného príslušenstva či nástavcov môže hroziť nebezpečenstvo zranenia osôb. Príslušenstvo a nástavce sa môžu používať len na účely pre ne stanovené.

Ak potrebujete bližšie informácie týkajúce sa tohoto príslušenstva, obráťte sa na vaše miestne servisné stredisko firmy Makita.

- Kryt čepele
- Zostava háčikov
- Háčik pre pripevnenie kábla k pásu
- Háčik pre pripevnenie kábla na rameno
- Lapač úlomkov

POZNÁMKA:

- Niektoré položky zo zoznamu môžu byť súčasťou balenia náradia vo forme štandardného príslušenstva. Rozsah týchto položiek môže byť v každej krajine odlišný.

ČESKÝ (originální návod k obsluze)

Legenda všeobecného vyobrazení

| | | |
|-------------------------|------------------------------------|---|
| 1-1. Spínač B | 6-1. Držák | 15-3. Matice |
| 1-2. Spínač A | 6-2. Pásek závěsu kabelu na paži | 15-4. Čepel |
| 1-3. Spínač C | 10-1. Směr stříhání | 16-1. Úchyty |
| 4-1. Háček | 10-2. Nakloňte čepel | 16-2. Nasaďte úchyty do drážky |
| 4-2. Kabel nástroje | 10-3. Stříhaný povrch živého plotu | 16-3. Drážky |
| 4-3. Prodlužovací kabel | 11-1. Provázek | 17-1. Zatlačte na úchyty na obou stranách |
| 5-1. Držák | 15-1. Stisknout | 17-2. Uvolněte úchyty |
| 5-2. Kabel | 15-2. Sběrač třísek | |

TECHNICKÉ ÚDAJE

| Model | UH4261 | UH4861 | UH5261 |
|---|--------|--------|--------|
| Délka čepele | 420 mm | 480 mm | 520 mm |
| Počet zdvihů za minutu (min ⁻¹) | 1 600 | 1 600 | 1 600 |
| Celková délka | 821 mm | 871 mm | 921 mm |
| Hmotnost netto | 2,9 kg | 3,0 kg | 3,0 kg |
| Třída bezpečnosti | II/II | | |

• Vzhledem k neustálému výzkumu a vývoji zde uvedené technické údaje podléhají změnám bez upozornění.

• Technické údaje se mohou pro různé země lišit.

• Hmotnost podle EPTA – Procedure 01/2003

END220-4

Symbol

Níže jsou uvedeny symboly, se kterými se můžete při použití nástroje setkat. Je důležité, abyste dříve, než s ním začnete pracovat, pochopili jejich význam.



• Přečtěte si návod k obsluze.



• DVOJITÁ IZOLACE



• Nevystavujte nástroj dešti.



• Jestliže je kabel poškozený nebo pořezaný, vytáhněte okamžitě zástrčku ze zásuvky.



• Pouze pro země EU
Nevyhazujte elektrická zařízení spolu s domovním odpadem!

Podle Nařízení Evropské rady 2002/96/EC o likvidaci elektrických a elektronických zařízení a jejího provádění v souladu s národními zákony, elektrická zařízení musí být poté, co doslouží, shromáždována samostatně a vrácena k ekologické recyklaci.

ENE014-1

Určení nástroje

Nástroj je určen k zastříhování živých plotů.

ENF002-1

Napájení

Nástroj lze připojit pouze k odpovídajícímu zdroji s napětím stejným, jaké je uvedeno na typovém štítku, a může pracovat pouze s jednofázovým střídavým napětím. V souladu s evropskými normami má dvojitou

izolaci a může být proto napájen ze zásuvek bez zemnicího vodiče.

ENG905-1

Hlučnost

Typická vážená hladina hluku (A) určená podle normy EN60745:

Hladina akustického tlaku (L_{PA}): 82 dB(A)

Hladina akustického výkonu (L_{WA}): 93 dB(A)

Nejistota (K): 2,1 dB (A)

Používejte ochranu sluchu

ENG900-1

Vibrace

Celková hodnota vibrací (vektorový součet tří os) určená podle normy EN60745:

Pracovní režim: zastříhování živých plotů

Vibrační emise (a_{h1}): 6,7 m/s²

Nejistota (K): 1,5 m/s²

ENG901-1

• Deklarovaná hodnota emisí vibrací byla změněna v souladu se standardní testovací metodou a může být využita ke srovnávání nářadí mezi sebou.

• Deklarovanou hodnotu emisí vibrací lze rovněž využít k předběžnému posouzení vystavení jejich vlivu.

VAROVÁNÍ:

• Emise vibrací během skutečného používání elektrického nářadí se mohou od deklarované hodnoty emisí vibrací lišit v závislosti na způsobu použití nářadí.

Na základě odhadu vystavení účinkům vibrací v aktuálních podmínkách zajistíte bezpečnostní opatření k ochraně obsluhy (vezměte v úvahu všechny části pracovního cyklu, mezi něž patří kromě doby pracovního nasazení i doba, kdy je nářadí vypnuto nebo pracuje ve volnoběhu).

ENH021-6

Pouze pro země Evropy

Prohlášení ES o shodě

Společnost Makita Corporation jako odpovědný výrobce prohlašuje, že následující zařízení Makita:

Popis zařízení:

Zastříhovač živých plotů

č. modelu/typ: UH4261, UH4861, UH5261

Technické údaje: viz tabulka „TECHNICKÉ ÚDAJE“.

vychází ze sériové výroby

a vyhovuje následujícím evropským směrnicím:

2000/14/ES, 2006/42/ES

Zařízení bylo rovněž vyrobeno v souladu s následujícími normami či normativními dokumenty:

EN60745

Technická dokumentace je k dispozici u našeho autorizovaného zástupce v Evropě:

Makita International Europe Ltd.

Michigan Drive, Tongwell,

Milton Keynes, Bucks MK15 8JD, England

Postup posuzování shody vyžadovaný směrnicí 2000/14/ES byl v souladu s přílohou V.

Naměřená hladina akustického výkonu: 93dB (A)

Zaručená hladina akustického výkonu: 96dB (A)

23.07.2010



000230

Tomoyasu Kato

Ředitel

Makita Corporation

3-11-8, Sumiyoshi-cho,

Anjo, Aichi, 446-8502, JAPAN

GEA010-1

Obecná bezpečnostní upozornění k elektrickému nářadí

⚠ UPOZORNĚNÍ Přečtete si všechna bezpečnostní upozornění a pokyny. Při nedodržení upozornění a pokynů může dojít k úrazu elektrickým proudem, požáru nebo vážnému zranění.

Všechna upozornění a pokyny si uschovejte pro budoucí potřebu.

BEZPEČNOSTNÍ UPOZORNĚNÍ NŮŽKÁM NA ŽIVÉ PLOTY

- Elektrické nářadí držte pouze za izolované části držadel, neboť nože zařízení mohou přijít do kontaktu se skrytým elektrickým vedením nebo s vlastním napájecím kabelem.** Při kontaktu nožů s vodičem pod napětím se může proud přenést do nechráněných kovových částí nářadí a obsluha může utrpět úraz elektrickým proudem.
- Udržujte všechny části těla v bezpečné vzdálenosti od nožů. Neodstraňujte stříhaný materiál a nedržte materiál, když se nože pohybují. Při odstraňování uvíznutého materiálu musí být spoušť vypnuta.** Chvilé nepozornosti při používání zastříhovače může mít za následek vážné zranění.
- Při přenášení držte zastříhovač za rukojeť a nechte jej vypnutý. Při přepravě a skladování zastříhovače na nože vždy nasadte kryt.** Správnou manipulací se zastříhovačem snížíte riziko zranění noží.
- Udržujte kabel v bezpečné vzdálenosti od místa, kde stříháte.** Během používání se může kabel schovat v křoví a může být nechtěně přestřížen.
- Nepoužívejte zastříhovač v dešti ani v mokřem nebo ve vlhkém prostředí.** Elektrický motor není voděodolný.
- Uživatelé, kteří používají zastříhovač poprvé, by měli požádat o radu k používání zkušené uživatele.**
- Zastříhovač nesmí používat děti a osoby mladší 18 let. Mladiství starší 16 let mohou být tohoto omezení zproštěni, pokud pod dohledem odborníka absolvují školení.**
- Zastříhovač obsluhujte pouze tehdy, jste-li v dobrém fyzickém stavu. Únava vede ke snížení pozornosti. Opatrní buďte zejména na konci pracovního dne. Veškerou práci provádějte klidně a opatrně. Uživatel je zodpovědný za všechny škody způsobené třetím stranám.**
- Nikdy nepoužívejte zastříhovač pod vlivem alkoholu, drog nebo léků.**
- Zkontrolujte, zda napětí a frekvence napájení odpovídá údajům na výrobním štítku. Doporučujeme používat proudový chránič ovládaný zbytkovým proudem (přerušovač obvodu při zkratu na uzemnění) s vypínacím proudem 30 mA nebo menším nebo ochranný jistič.**
- Mezi základním vybavením zastříhovače jsou silné kožené rukavice, které je nutné při práci vždy používat. Používejte také pevnou obuv s protiskluzovou podrážkou.**
- Před zahájením práce zkontrolujte, zda je zastříhovač v dobrém stavu umožňujícím**

bezpečně používání. Zkontrolujte, zda jsou správně nainstalovány kryty. Před zahájením práce zkontrolujte, zda není poškozen kabel, a v případě potřeby jej vyměňte. Zastříhovač nesmí být používán, pokud není kompletní.

13. Udržujte kabel v bezpečné vzdálenosti od místa, kde stříháte. Vždy pracujte takovým způsobem, aby byl prodlužovací kabel za vámi.
14. Pokud je kabel poškozen nebo přestřížen, okamžitě vytáhněte zástrčku ze zásuvky.
15. Před zahájením práce se ujistěte, že máte prostor pro stabilní postoj.
16. Při práci držte nástroj pevně.
17. Nářadí nespouštějte zbytečně naprázdno.
18. Pokud se zastříhovač dostane do kontaktu s plotem nebo jiným tvrdým objektem, okamžitě vypněte motor a vytáhněte zástrčku ze zásuvky. Zkontrolujte, zda není zastříhovač poškozen, a je-li poškozen, okamžitě jej opravte.
19. Před kontrolou zastříhovače, opravováním závad nebo odstraňováním materiálu zachyceného v zastříhovači vždy zastříhovač vypněte a vytáhněte zástrčku ze zásuvky.
20. Před prováděním údržby zastříhovač vypněte a odpojte od zásuvky a zajistěte zástrčku.
21. Při přenášení zařízení na jiné místo (i při práci) vždy odpojte napájecí kabel ze zásuvky a na stříhací nože nasadte kryt. Zastříhovač nikdy nepřenášejte ani nepřeppravujte zapnuté. Zastříhovač nikdy neberte do rukou za nože.
22. Po použití a před dlouhodobějším skladováním zastříhovač očistěte - zejména nože. Naolejujte nože a nasadte kryt. Kryt dodaný s přístrojem lze pověsit na zeď a zastříhovač tak lze bezpečně a prakticky skladovat.
23. Skladujte zastříhovač s nasazeným krytem v suché místnosti. Uchovávejte jej mimo dosah dětí. Nikdy zastříhovač neskladujte venku.
24. **Neprovozujte nástroj zbytečně bez zatížení.**

TYTO POKYNY USCHOVEJTE.

⚠VAROVÁNÍ:

NEDOVOLTE, aby pohodlnost nebo pocit znalosti výrobku (získaný na základě opakovaného používání) vedly k zanedbání dodržování bezpečnostních pravidel platných pro tento výrobek. NESPRÁVNÉ POUŽÍVÁNÍ nebo nedodržení bezpečnostních pravidel uvedených v tomto návodu k obsluze může způsobit vážné zranění.

POPIS FUNKCE

⚠POZOR:

- Před nastavováním nástroje nebo kontrolou jeho funkce se vždy přesvědčte, že je vypnutý a vytažený ze zásuvky.
- Před nastavováním či kontrolou funkce nářadí nasadte na stříhací nože kryt.

Zapínání

Fig.1

V rámci bezpečnosti je nářadí vybaveno trojitým spínacím systémem. Nářadí zapnete stisknutím spínače B a současným stisknutím spínače A nebo C. Uvolněním některého ze dvou stisknutých spínačů nářadí vypnete. Pořadí sepnutí není důležité, neboť nářadí se zapne pouze stisknutím obou spínačů.

Vodorovné stříhání

Fig.2

Při vodorovném stříhání živých plotů použijte spínače A a B.

Svislé stříhání

Fig.3

Při obouřučním stříhání ve svislém směru stiskněte spínače B a C a pohybujte nástrojem před sebou.

MONTÁŽ

⚠POZOR:

- Než začnete na nástroji provádět jakékoliv práce, vždy se předtím přesvědčte, že je vypnutý a vytažený ze zásuvky.

Zajištění prodlužovacího kabelu

⚠POZOR:

- Zkontrolujte, zda je prodlužovací kabel odpojen od zásuvky.

Fig.4

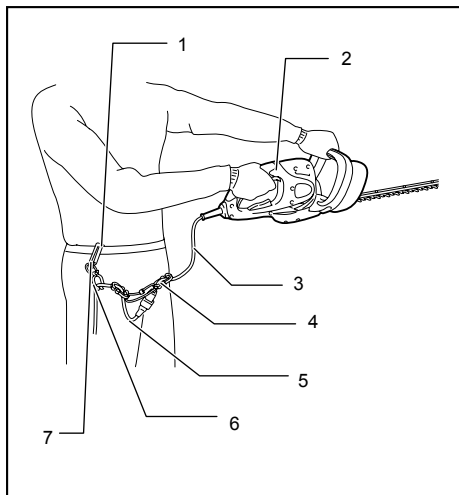
Při zajišťování prodlužovacího kabelu jej připojte ke kabelu nástroje s háčkem. Připojte háček přibližně 100 až 200 mm od konektoru prodlužovacího kabelu. Zabráňte tak nechtěnému odpojení.

Kabelový háček na pásek

⚠POZOR:

- Nepřipojujte držák kabelového háčku na pásek k ničemu jinému než k prodlužovacímu kabelu. Neumísťujte kabelový háček na ruku příliš blízko k háčku na pásek. V opačném případě může dojít k nehodě nebo zranění.
- Jednu část háčku upevněte ke kabelu nástroje a druhou část k prodlužovacímu kabelu. Při práci jen s jednou částí háčku může dojít k nehodě a zranění.

Při používání kabelového háčku na pásek se snižuje riziko přestřihnutí prodlužovacího kabelu, který by byl jinak volný.



1. Háček
2. Nástroj
3. Kabel nástroje
4. Háček
5. Prodlužovací kabel
6. Držák
7. Kabelový háček na pásek

009401

Fig.5

Protáhněte kabel přes otvor v držáku.

⚠POZOR:

- Nepoužívejte na otvor držáku sílu. V opačném případě může dojít k jeho deformaci nebo poškození.

Kabelový háček na ruku (příslušenství)

⚠POZOR:

- Nepřipojujte držák kabelového háčku na ruku k ničemu jinému než k prodlužovacímu kabelu. Neumístujte kabelový háček na ruku příliš blízko k háčku na pásek. V opačném případě může dojít k nehodě nebo zranění.
- Jednu část háčku upevněte ke kabelu nástroje a druhou část k prodlužovacímu kabelu. Při práci jen s jednou částí háčku může dojít k nehodě a zranění.

Při používání kabelového háčku na ruku se snižuje riziko přestřihnutí prodlužovacího kabelu, který by byl jinak volný.

Fig.6

Pásek závěsu kabelu na paži pevně přichyťte kolem své paže a prodlužovací kabel provlékněte držákem. Délka pásku závěsu kabelu na paži je nastavitelná.

POZNÁMKA:

- Neprotahujte prodlužovací kabel přes popruh.
- Nepoužívejte na otvor držáku sílu. V opačném případě může dojít k jeho deformaci nebo poškození.
- Kabelový háček na ruku a háček na pásek lze prakticky používat dohromady.

PRÁCE

⚠POZOR:

- Při stříhání dávejte pozor, abyste omylem nezasáhli kovový plot nebo jiné tvrdé objekty. Nože se mohou rozbít a způsobit vážné zranění.
- Přesahování zastřihovačem, zejména ze žebříku, je velice nebezpečné. Při práci nestůjte na kymácejícím se nebo jinak nestabilním povrchu.

Fig.7

Nestříhejte s tímto zastřihovačem větve silnější než 10 mm v průměru. Ty je nutné předem ostříhat nůžkami do úrovně zástřihu.

⚠POZOR:

- Nestříhejte uschlé stromy ani podobné tvrdé objekty. V opačném případě může dojít k poškození nástroje.

Fig.8

Držte zastřihovač oběma rukama, stiskněte spínač A a B a pohybujte nástrojem před sebou.

Fig.9

Fig.10

Při stříhání nakloňte čepel ve směru stříhání a pomalu postupujte tak, abyste přes metr délky přešli za 3 až 4 sekundy.

Fig.11

Abyste zastřihli horní část živého plotu rovnoměrně, můžete napnout provázek v požadované cílové výšce a při stříhání se řídit podle tohoto provázku.

Fig.12

Připojením sběrače třísek (příslušenství) k nástroji při vodorovném stříhání můžete zabránit odlétávání odstříhnutých listů.

Fig.13

K dosažení rovnoměrného svislého zástřihu je vhodné stříhat zdola nahoru.

Fig.14

Zimostráz a rododendron stříhejte odzdoila nahoru, dosáhnete tak pěkného výsledku.

Montáž a demontáž sběrače třísek (příslušenství)

⚠POZOR:

- Před montáží a demontáží sběrače třísek se vždy přesvědčte, zda je nástroj vypnutý a odpojený od elektrické sítě.

POZNÁMKA:

- Při nasazování sběrače třísek vždy používejte rukavice, aby nedošlo k přímému kontaktu nožů s rukama. V opačném případě může dojít ke zranění.
- Před instalací sběrače třísek vždy sundejte kryt nožů.
- Sběrač třísek zachycuje odstříhnuté listí a usnadňuje jeho sběr. Lze jej nainstalovat na obou stranách nástroje.

Fig.15

Fig.16

Sběrač třísek musí být nainstalován tak, aby jeho úchyty zapadly do drážek na čepeli.

Fig.17

Chcete-li sběrač třísek sundat, stiskněte páčku na obou stranách, aby se uvolnily úchyty.

⚠POZOR:

- Kryt nožů (standardní vybavení) nelze nasadit na nástroj, když je nainstalován sběrač třísek. Před přenášením nebo skladováním demontujte sběrač třísek a potom nasadte kryt nožů, aby nebyly nože odkryty.

POZNÁMKA:

- Před použitím zkontrolujte, zda je sběrač třísek nainstalován pevně.
- Nepoužívejte při demontáži sběrače třísek příliš velkou sílu, když jsou úchyty zachyceny v drážkách na čepeli. Při použití příliš velké síly může dojít k jeho poškození.

ÚDRŽBA

⚠POZOR:

- Než začnete provádět kontrolu nebo údržbu nástroje, vždy se přesvědčte, že je vypnutý a vytažený ze zásuvky.

Čištění nástroje

Nástroj očistíte setřením prachu suchým nebo v mýdlové vodě navlhčeným hadříkem.

⚠POZOR:

- Nikdy nepoužívejte benzín, benzen, ředidlo, alkohol či podobné prostředky. Mohlo by tak dojít ke změnám barvy, deformacím či vzniku prasklin.

Údržba nožů

Před prací a každou půlhodinu za provozu nože promazávejte strojním olejem či podobným prostředkem. Po použití odstraňte prach z obou stran nožů drátěným kartáčem, otřete je hadříkem a potom naneste olej s nízkou viskozitou, například strojní olej, a mazací olej ve spreji.

⚠POZOR:

- Nemyjte nože ve vodě. V opačném případě může dojít ke korozi nebo poškození nástroje.
- Při provádění údržby nožů noste ochranné rukavice.

Skladování

Nasadte kryt nožů na čepel, aby nebyly nože odkryty. Uchovávejte nástroj mimo dosah dětí.

Uchovávejte nástroj na místě, kde nebude vystaven vodě ani dešti.

Kvůli zachování BEZPEČNOSTI a SPOLEHLIVOSTI výrobku musí být opravy, kontrola a výměna uhlíků a veškerá další údržba či seřizování prováděny autorizovanými servisními středisky firmy Makita a s použitím náhradních dílů Makita.

VOLITELNÉ PŘÍSLUŠENSTVÍ

⚠POZOR:

- Pro váš nástroj Makita, popsáný v tomto návodu, doporučujeme používat toto příslušenství a nástavce. Při použití jiného příslušenství či nástavců může hrozit nebezpečí zranění osob. Příslušenství a nástavce lze používat pouze pro jejich stanovené účely.

Potřebujete-li bližší informace ohledně tohoto příslušenství, obraťte se na vaše místní servisní středisko firmy Makita.

- Kryt nožů
- Háček
- Kabelový háček na pásek
- Kabelový háček na ruku
- Sběrač odřezků

POZNÁMKA:

- Některé položky seznamu mohou být k zařízením přibaleny jako standardní příslušenství. Přibalené příslušenství se může v různých zemích lišit.

Makita Corporation
Anjo, Aichi, Japan

885005A972

www.makita.com