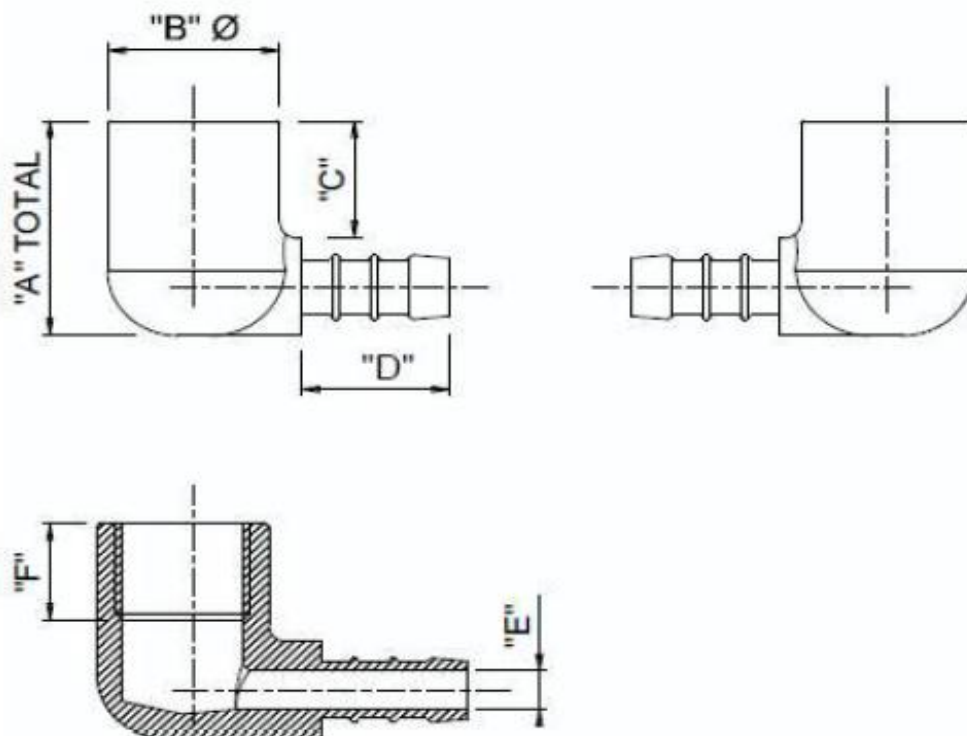


PRODUSE INSTALATII APA-GAZ, TEHNICO-SANITARE

Desene tehnice si dimensiuni COT ALAMA GPL 1/2" STUT SPATE COTIT



CODE	"A"	"B"	"C"	"D"	"E"	"F"	gr LAV
RSR-4536-GCONF	29	24.40	13.90	21.20	6	14.30	52.20

Description: Raw elbow G1/2" F for GPL
 Materials: Brass UNI EN 12165 CW 617 N
 Surface finish: Raw

Material: alama UNI EN 12165 CW 617 N
 Presiune de lucru: 4 bari

. CLUJ-NAPOCA

TEL 0264-433.098 Fax: 0264-437.889, J12/2621/1994, Str. Rosiori nr. 3, Cluj-Napoca
 CUI RO 6264842 CONT RO54RNCB0106026582500001 BCR CLUJ-NAPOCA

WWW.CRIMEL.RO, email: info@crimel.ro