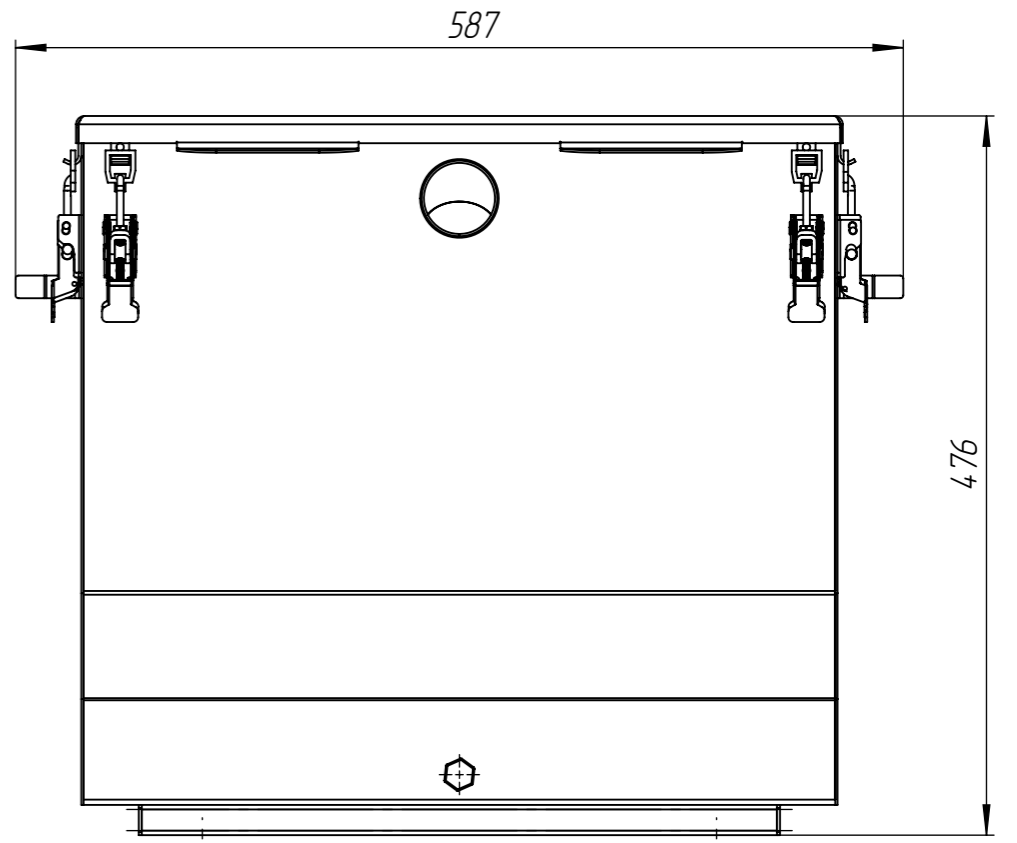
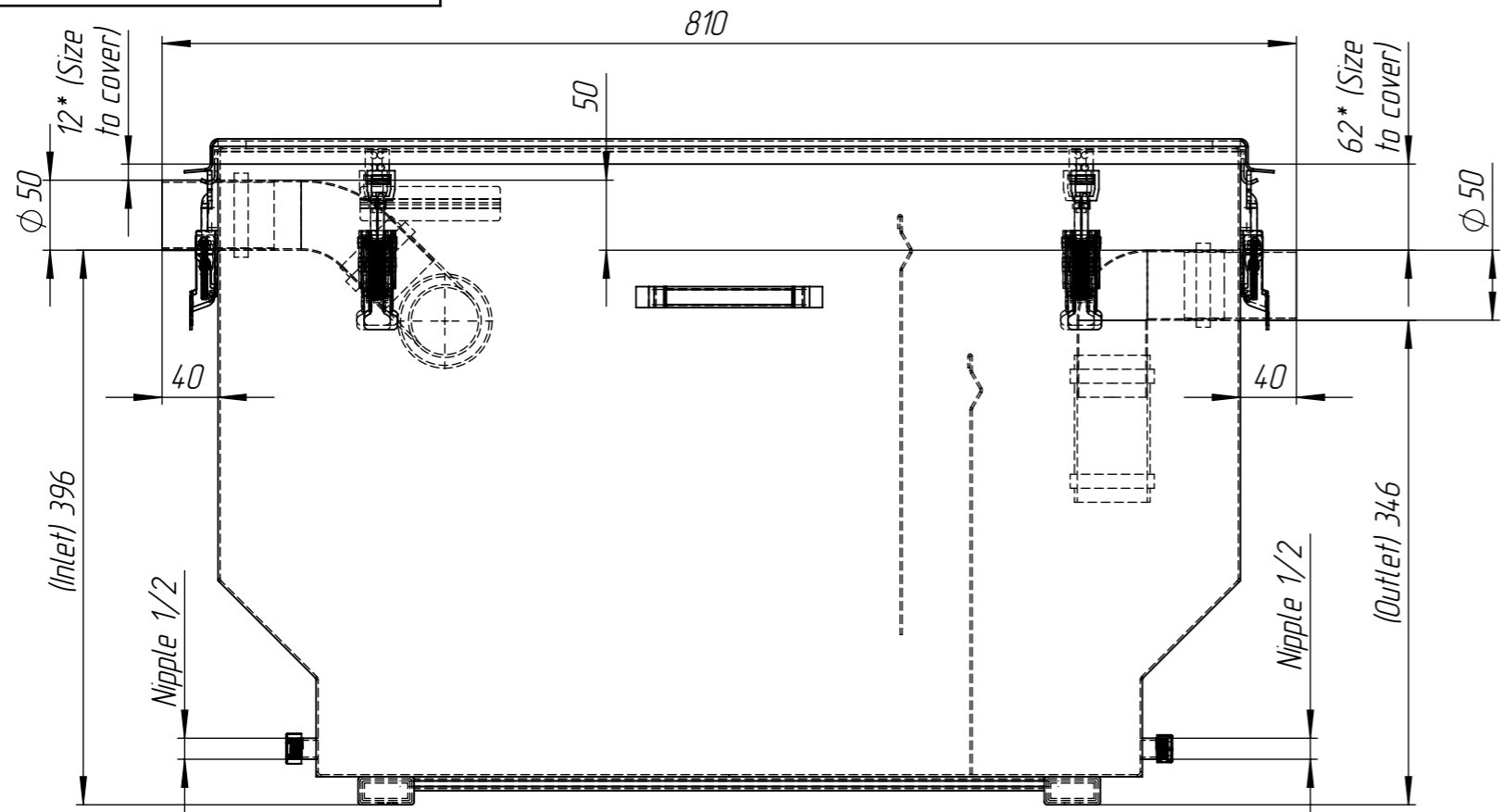


Primary Usage

Reference No.

ZHU-810.587.475-NS



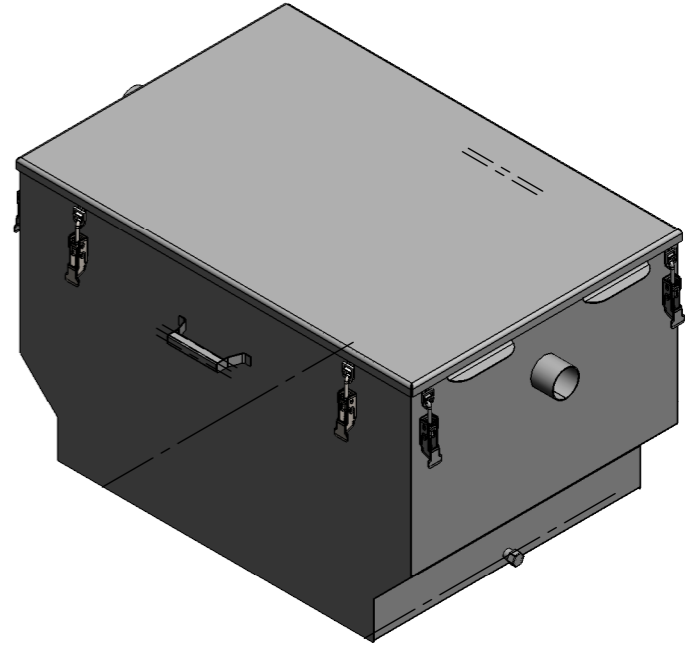
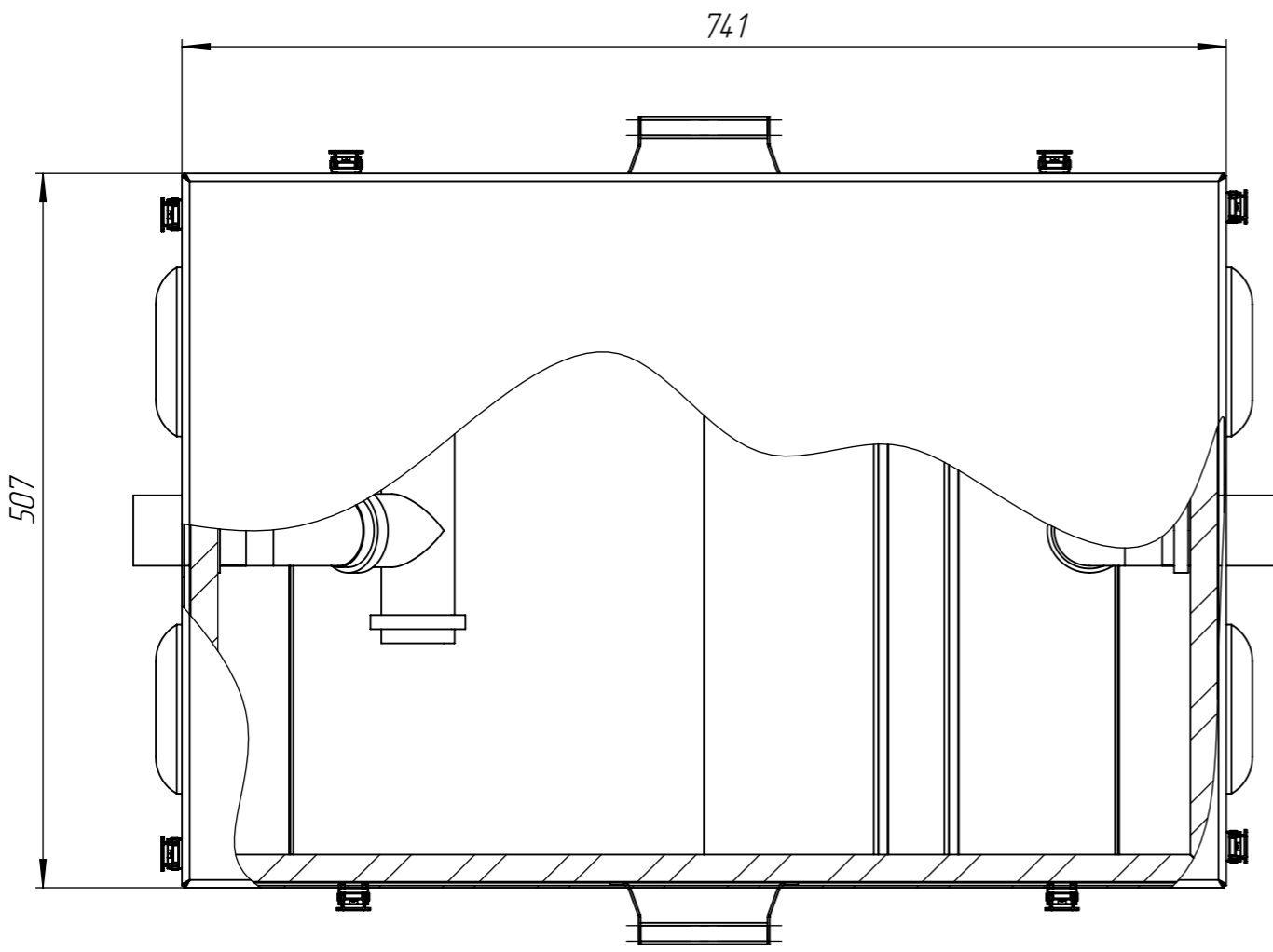
Sign. and date

Copy inv. No.

Repl. Inv. No.

Sign. and date

Orig. Inv. No.



Water flow capacity - 0.5l/s
 Water volume in separator - 125l
 First chamber volume - 82l

				Art.			
				ZHU-810.587.475-NS			
Rev. Sheet	Doc. No.	Sign.	Data	Separator 0,5 l/s	Let.	Weight	Scale
Dvlpd by	Kachanovskyy		30.08.2017			26.63	1:5
Chkd by							
Tech. Ctrl							
Reg. Doc. Ctrl				Sheet		Sheets 1	
Aprvd by							