

Primary Usage

Reference No.

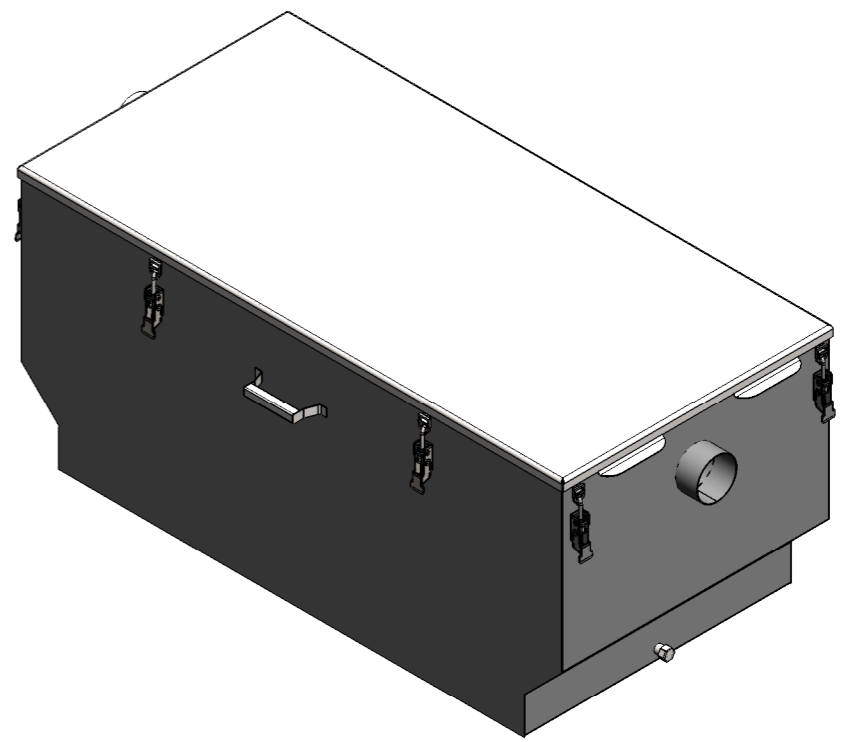
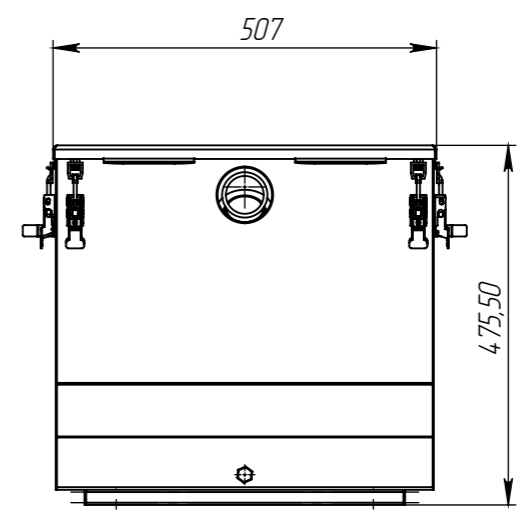
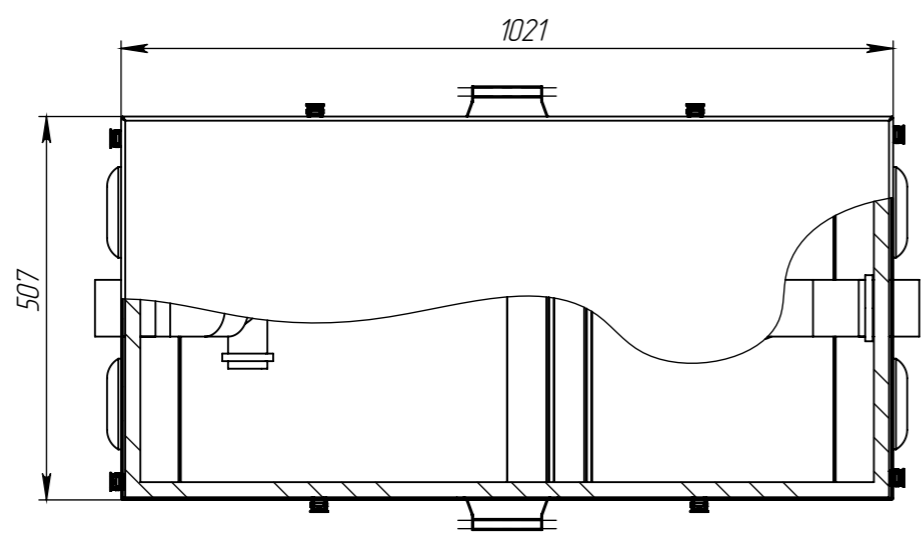
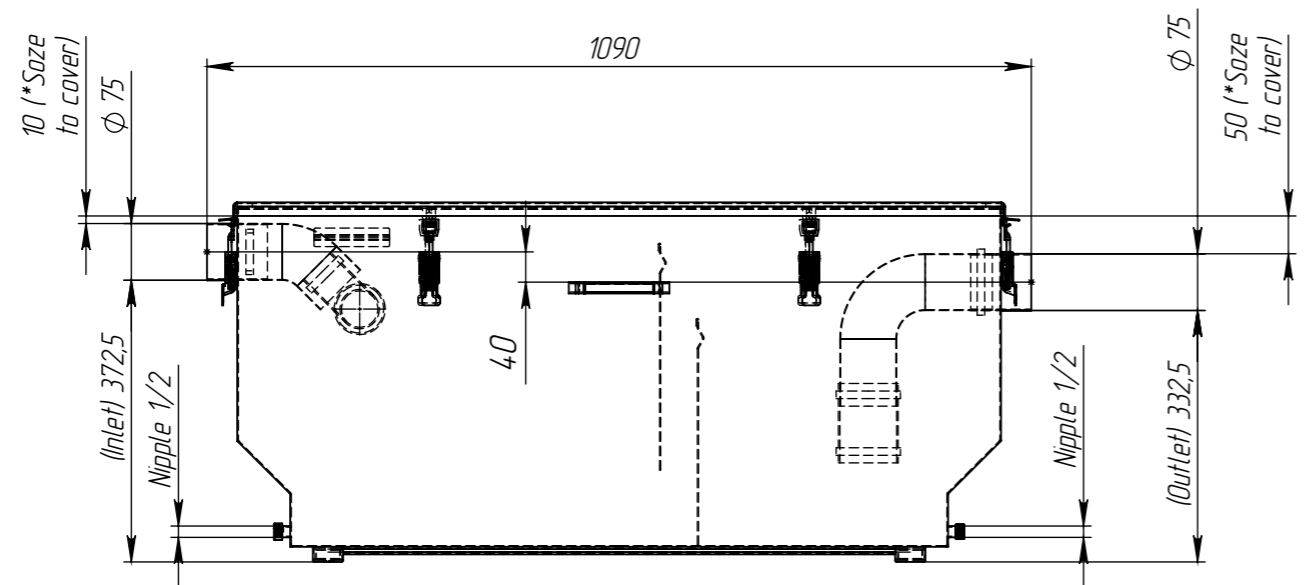
Sign. and date

Copy inv. No.

Repl. Inv. No.

Sign. and date

Orig. Inv. No.



Water flow capacity - 0.7l/s  
 Water volume in separator - 200l  
 First chamber volume - 130l

				Art.				
				<b>ZHU-1090.507.475-NS</b>				
<b>Rev.</b>	<b>Sheet</b>	<b>Doc. No.</b>	<b>Sign.</b>	<b>Data</b>	<b>Separator 0,7 l/s</b>	<b>Let.</b>	<b>Weight</b>	<b>Scale</b>
Dvlpd by		Kachanovskyy		26.09.2017			32.76	1:1
Chkd by								
Tech. Ctrl								
Reg. Doc. Ctrl						Sheet		
Aprvd by						Sheets 1		