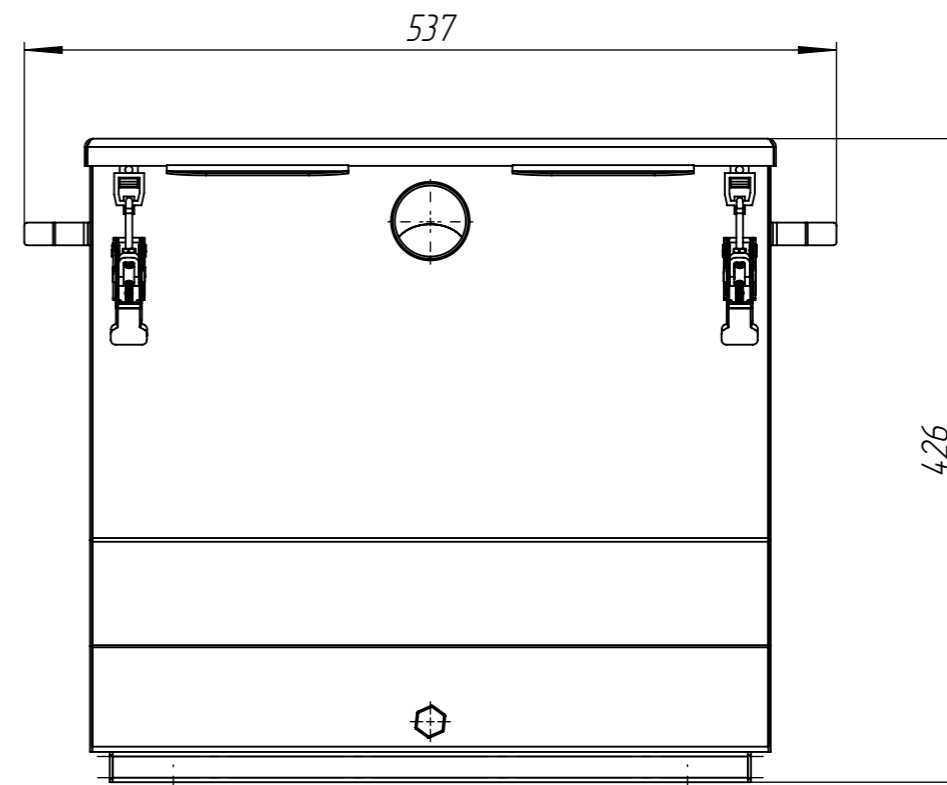
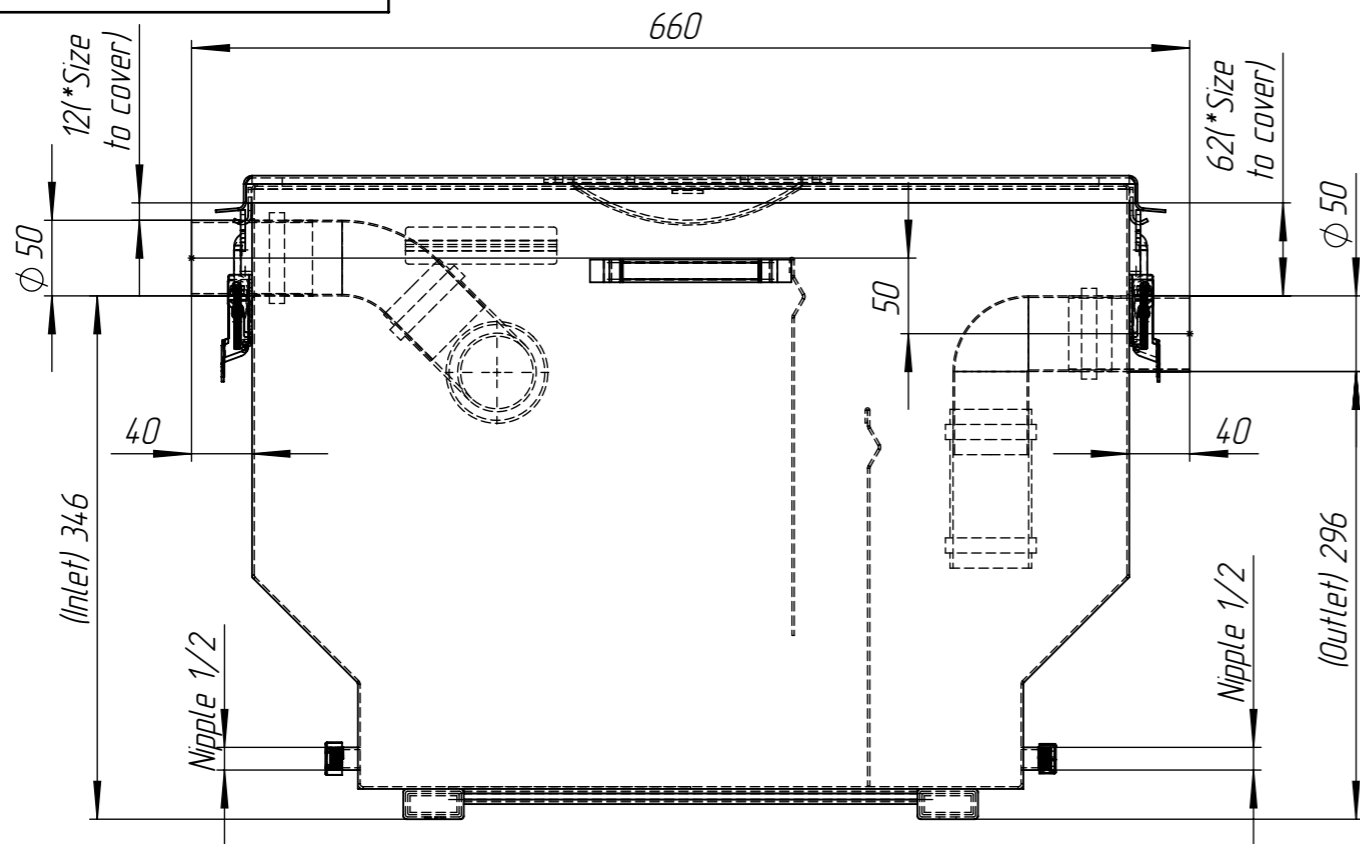


Primary Usage

Reference No.



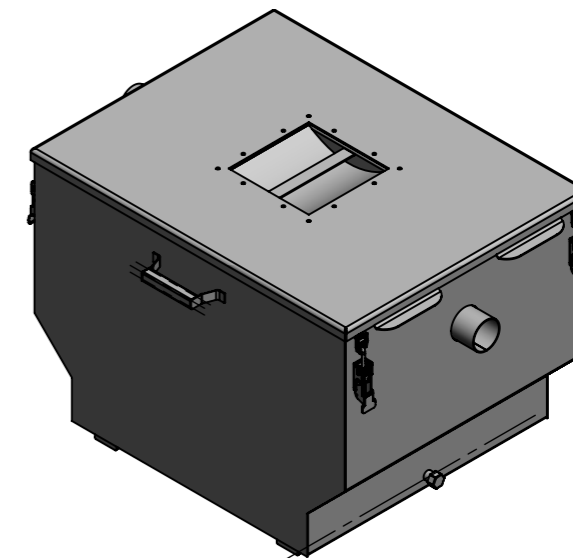
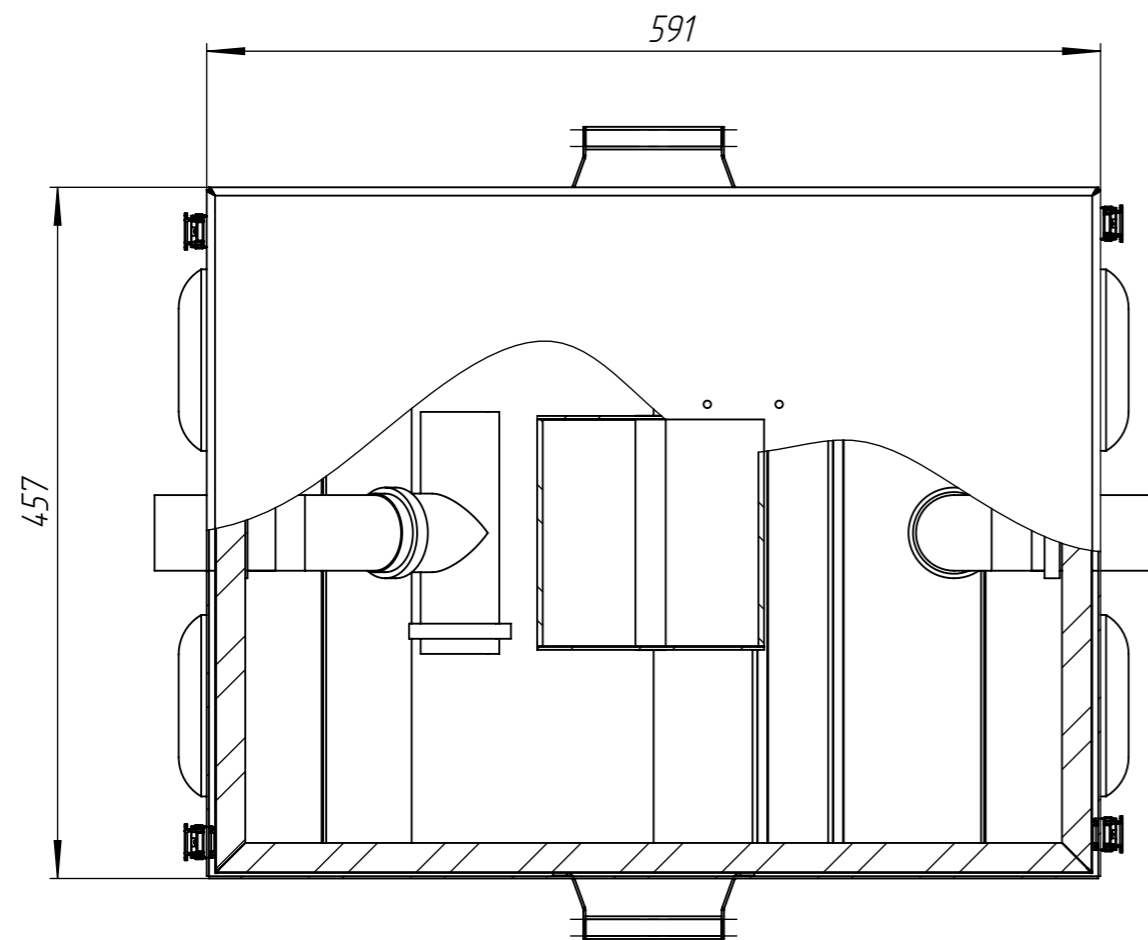
Sign. and date

Copy inv. No.

Repl. Inv. No.

Sign. and date

Orig. Inv. No.



Water flow capacity - 0.3l/s
 Water volume in separator - 75l
 First chamber volume - 50 l

				Art.		
				ZHU-660.537.425-NS		
				Separator 0,3 l/s		
Rev. Sheet	Doc. No.	Sign.	Data	Let.	Weight	Scale
Dvlpd by	Kachanovskyy		26.09.2017		20.54	1:5
Chkd by				Sheet		
Tech. Ctrl				Sheets 1		
Reg. Doc. Ctrl						
Aprvd by						