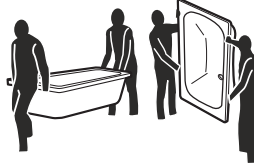




Do not drag on the floor



Due to the heavy weight, at least two persons are required to carry or move the Shower tray.

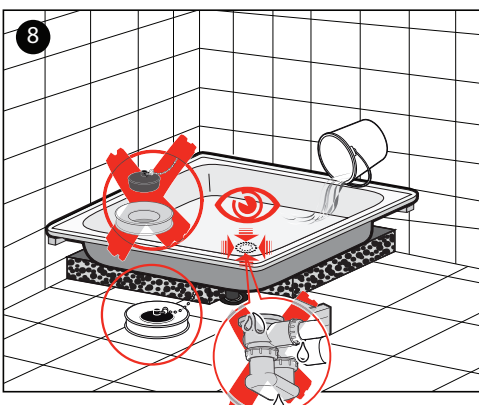
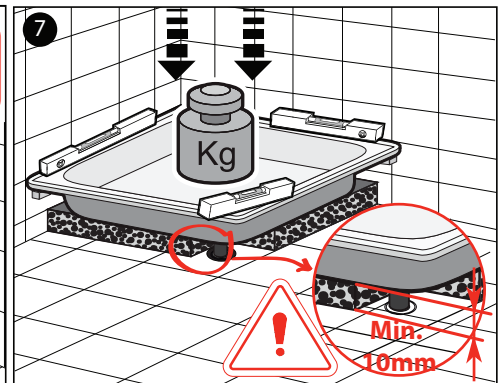
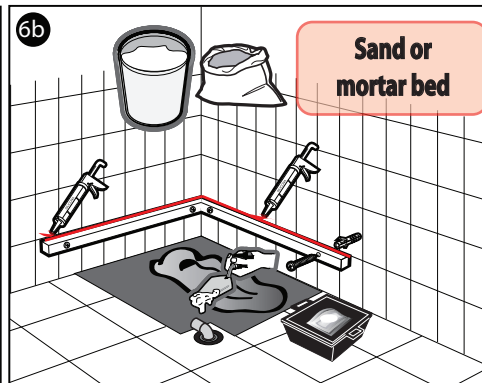
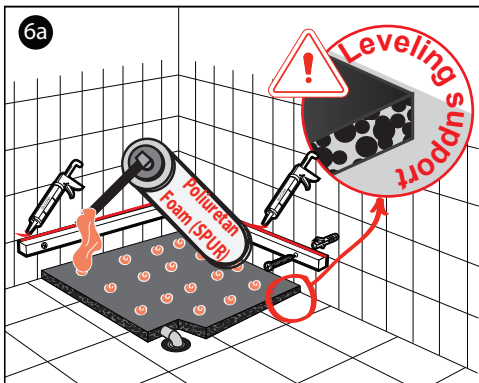
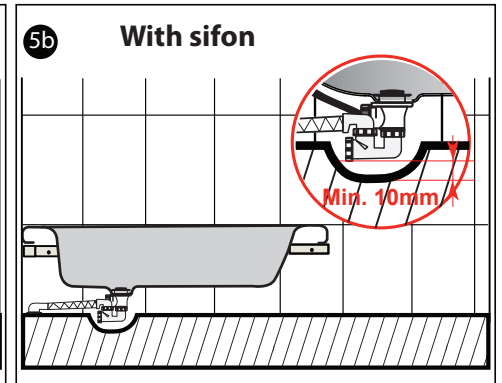
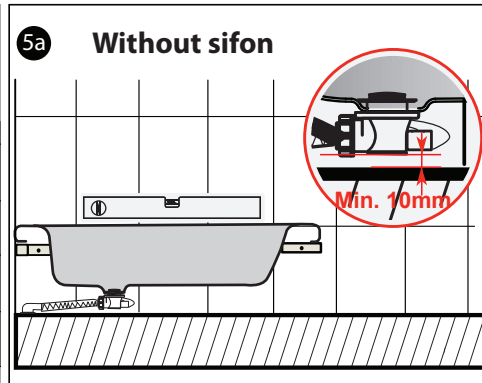
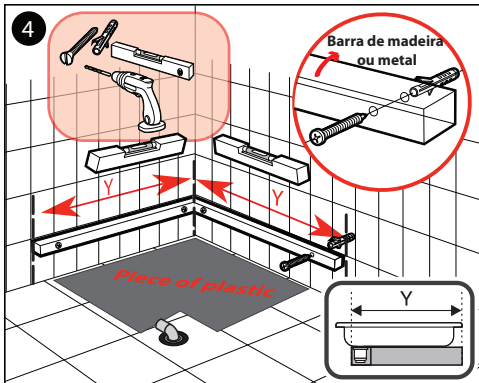
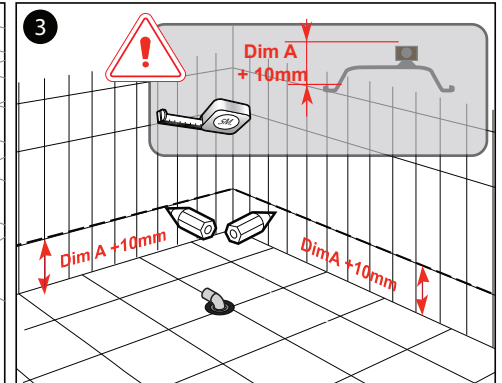
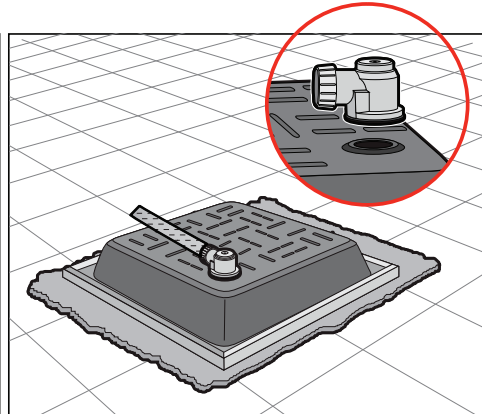
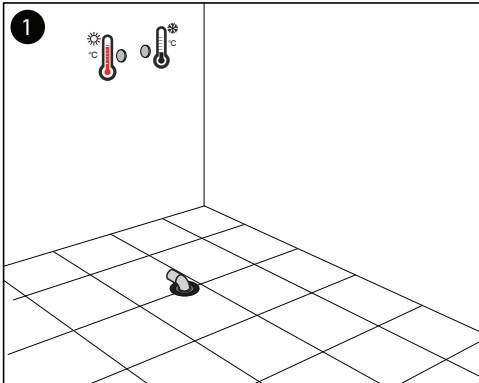


Fragile Glass Enameled



When installing the bathtub, protect the Shower trays surface, casing as the wall and floor tiles from damage.

Assembly instructions:



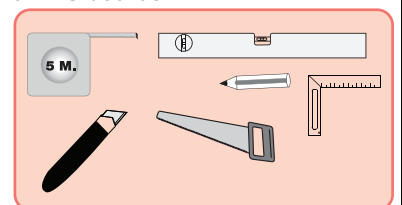
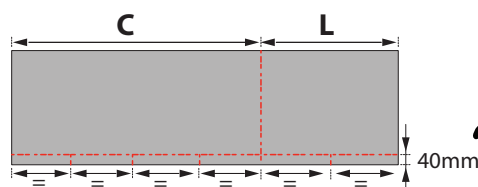
Building an shower tray aprons using PUR or EPS boards

Minimum Thickness: 20mm

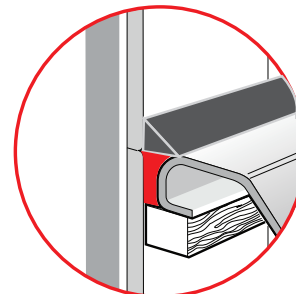
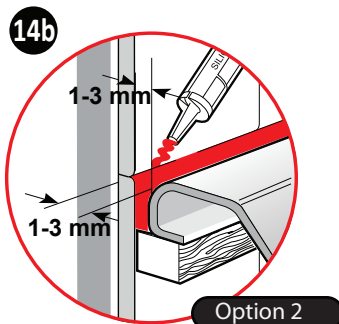
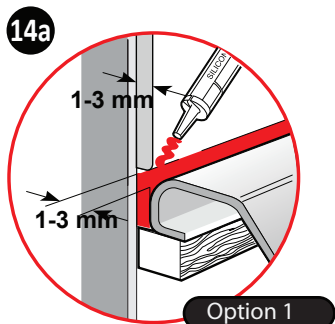
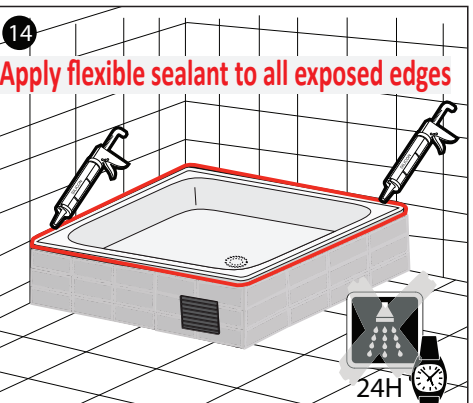
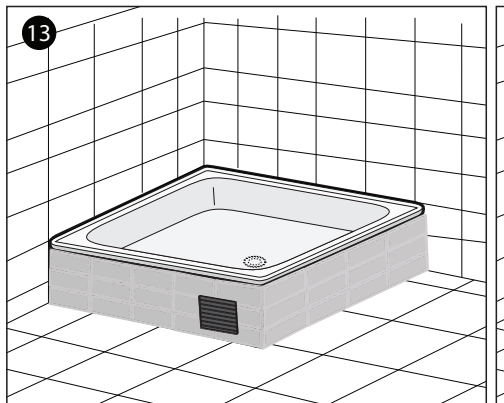
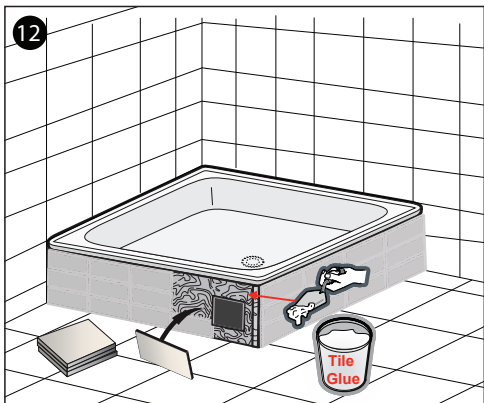
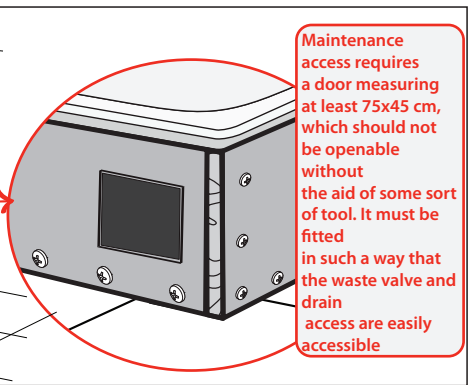
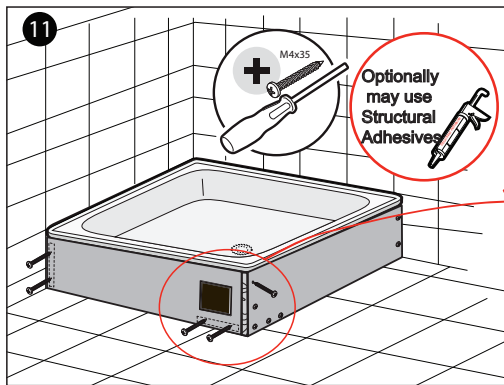
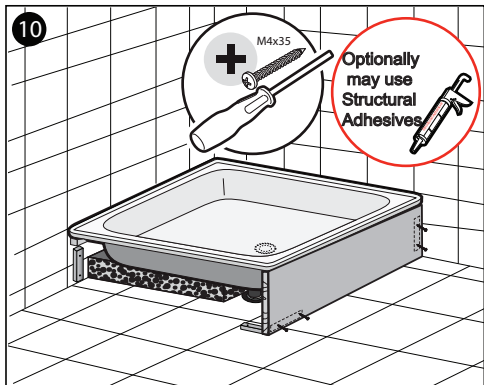
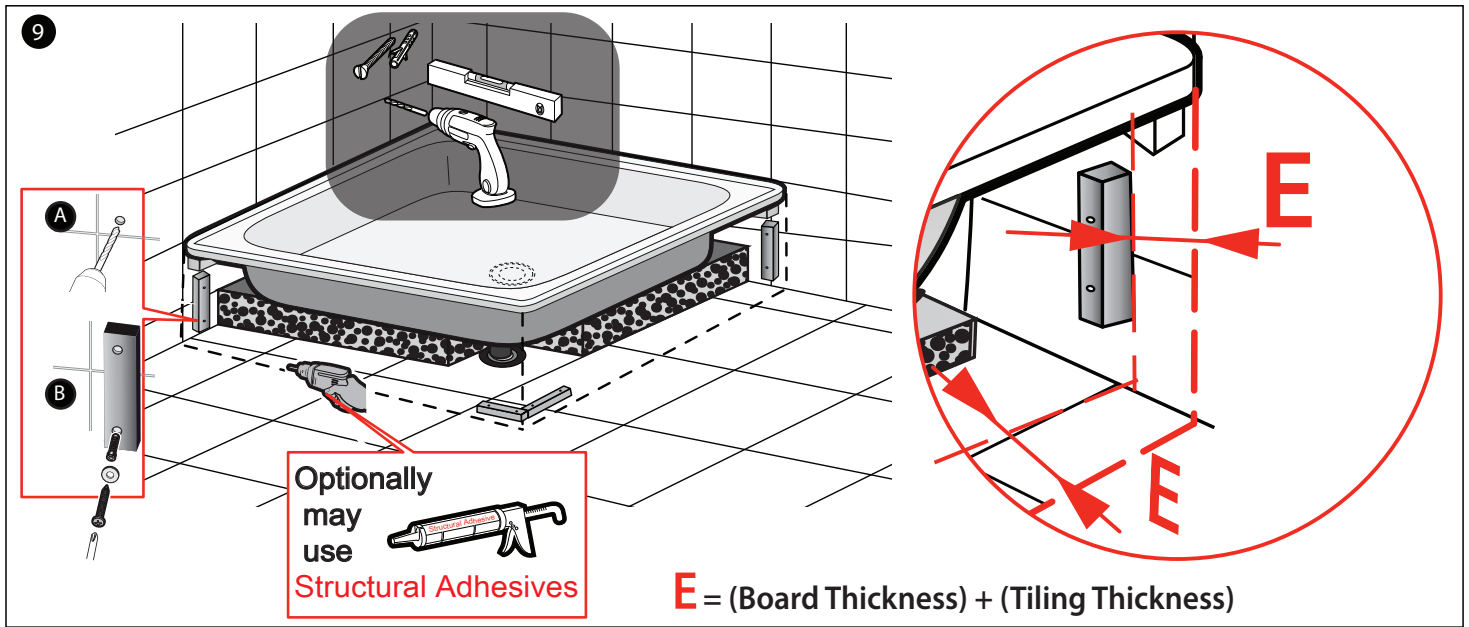
Recommended density: 11Kg/m³

C = Shower tray length

L = Shower tray width minus (-) thickness of PUR board



cutting trail



Recessed in the wall

Adjacent to the wall

Optional: Bathtub flange (wood, plastic,...)

Care instructions for Enamel Steel Shower trays

1. After use, rinse the surface with water and wipe with a damp cloth, chamois or sponge.
2. Remove light marks with a mild household detergent or mild all-purpose cleaner; soak heavier marks for around 15–20 minutes before cleaning.
3. Calcium deposits may be avoided by ensuring that all fittings are properly sealed and that all water is removed after use. Any calcium deposits that do occur can be removed with a hand-hot 1:1 solution of vinegar and water. (Do not use concentrated vinegar.) After cleaning, rinse the surface thoroughly. Do not use coarse, abrasive powder cleaners or highly acidic cleaners. Always observe the care instructions for the fittings on your shower tray or bath.
4. When using a drain cleaning product, please read the manufacturer's instructions carefully and pour the cleaner directly into the wastepipe. Immediately remove any cleaner that may have splashed onto the enamel.

Care instructions for Shower trays with anti-slip

The care instructions for shower trays made with steel enamel with the anti-slip are basically the same as for the enamel steel baths without them. Due to the special non-slip surface, the following cleaning instructions are to be observed.

1. The following are suitable for cleaning: mild vinegar and neutral cleaning agents, mild bathroom cleaning agents, pile fabrics, lint-free cloths. After cleaning, rinse thoroughly with plenty of water and dry with a chamois leather. A soft hand brush may be used to remove stubborn dirt and marks.
2. The following are not suitable for cleaning: abrasive or solvent-based cleaning agents, aggressive acids and lyes (e.g. vinegar essences, alkaline chlorine-based cleaning agents) abrasive cleaning sponges/cloths, coloured cleaning agents, saturated disposable cloths.