



- EN
- FR
- DE
- ES
- IT
- NL
- PT
- DA
- SV
- FI
- NO
- RU
- PL
- CS
- HU
- RO
- LV
- LT
- ET
- HR
- SL
- SK
- BG
- UK
- TR

**RY18HT45A**  
**RY18HT50A**





- Important!** It is essential that you read the instructions in this manual before assembling, maintaining and operating the product.
- Attention!** Il est essentiel que vous lisiez les instructions contenues dans ce manuel avant d'assembler, d'entretenir et d'utiliser le produit.
- Achtung!** Es ist wichtig, dass Sie vor Zusammenbau, Wartung und Benutzung des Produktes die Anweisungen in dieser Anleitung lesen.
- ¡Atención!** Resulta fundamental que lea este manual de instrucciones antes de realizar el montaje, el mantenimiento y de utilizar este producto
- Attenzione!** È importante leggere le istruzioni contenute nel presente manuale prima di montare il prodotto, svolgere le operazioni di manutenzione sullo stesso e metterlo in funzione.
- Let op!** Het is van essentieel belang dat u de instructies in deze gebruiksaanwijzing leest voor u het product monteert, onderhoudt en gebruikt.
- Atenção!** É fundamental que leia as instruções deste manual antes da montagem, manutenção e operação do aparelho.
- OBS!** Det er vigtigt, at man læser instrukserne i denne brugsanvisning, inden man samler, vedligeholder og betjener produktet.
- Observera!** Det är viktigt att du läser instruktionerna i manualen före montering, användning och underhåll av produkten.
- Huomio!** On tärkeää, että luet tämän käsikirjan ohjeet ennen tuotteen kokoamista, huoltoa ja käyttöä.
- Advarsel!** Det er viktig at du leser instruksjonene i denne manualen før sammensetning, vedlikehold og bruk av produktet
- Внимание!** Необходимо прочитать инструкции в данном руководстве перед сборкой, обслуживанием и эксплуатацией этого изделия.
- Uwaga!** Koniecznie należy przeczytać instrukcje zawarte w tym podręczniku przed montażem, obsługą oraz konserwacją produktu.
- Důležité upozornění!** Neinstalujte, neprovádějte údržbu ani nepoužívejte tento výrobek dříve, než si přečtete pokyny uvedené v tomto návodu.
- Figyelem!** Fontos, hogy a termék összeszerelése, karbantartása és használatá elött elolvassa a kézikönyvben található utasításokat.
- Atenție!** Este esențial să citiți instrucțiunile din acest manual înainte de asamblare, efectuarea întreținerii și operarea produsului.
- Uzmanību!** Ir svarīgi izlasīt šīs rokasgrāmatas instrukcijas pirms uzstādīšanas, apkopes un precas darbināšanas.
- Démesio!** Prieš surenkant, prižiūrint ir naudojant gaminį, būtina perskaityti šiam vadove pateiktus nurodymus.
- Tähtis!** Enne masina kokkupanekut, hooldamist ja kasutama hakkamist tuleb käesolevas juhendis esitatud juhised kindlasti läbi lugeda.
- Upozoreње!** Vrlo je važno da ste prije sklapanja, održavanja i rada s ovim proizvodom pročitali upute u ovom priručniku.
- Pomembno!** Pomembno je da pred montažo vzdrževanjem in uporabo tega izdelka preberete navodila v tem priročniku.
- Upozornenie!** Je dôležité, aby ste si pred montážou, údržbou a obsluhou produktu prečítali pokyny v tomto návode.
- Важно!** Исключительно важно е да прочетете инструкциите в настоящото ръководство, преди да преминете към сглобяване, поддръжка или работа с продукта.
- Важливо!** Дуже важливо, щоб ви прочитали інструкції в цьому керівництві перед складанням, обслуговуванням та експлуатацією цієї машини.
- Önemli!** Ürünü monte etmeden, kullanmadan ve bakımını yapmadan önce bu kılavzdaki talimatları okumanız önemlidir.

Subject to technical modification | Sous réserve de modifications techniques | Technische Änderungen vorbehalten | Bajo reserva de modificaciones técnicas | Con riserva di eventuali modifiche tecniche | Technische wijzigingen voorbehouden | Com reserva de modificações técnicas | Med forbehold for tekniske ændringer | Med förbehåll för tekniska ändringar | Tekniset muutokset varataan | Med forbehold om tekniske endringer | могут быть внесены технические изменения | Z zastrzeżeniem modyfikacji technicznych | Změny technických údajů vyhrazeny | A műszaki módosítás jogát fenntartjuk | Sub rezerva modificărilor tehnice | Paturam tiesības mainīt tehniskos raksturlielumus | Pasilieikant teisę daryti techninius pakeitimus | Tehnised muudatused võimalikud | Podloženo tehničkim promjenama | Tehnične spremembe dopuščene | Právo na technické zmeny je vyhradené | Подлежи на технически модификации | Є об'єктом для технічних змін | Teknik değışiklięe tabidir.



Safety, performance, and dependability have been given top priority in the design of your cordless hedge trimmer.

### INTENDED USE

The cordless hedge trimmer is intended only for outdoor use in dry and well-illuminated conditions.

The product is designed for home or domestic use. The product is intended to cut and trim hedges, shrubs, and similar vegetation.

Do not use the product for any other purpose.

### GENERAL PRODUCT SAFETY WARNINGS

**⚠ WARNING! Read all safety warnings, instructions, illustrations and specifications provided with this power tool.** Failure to follow all instructions listed below may result in electric shock, fire, and/or serious injury.

**Save all warnings and instruction for future reference.**

The term "power tool" in the warnings refers to your mains-operated (corded) product or battery-operated (cordless) product.

### WORK AREA SAFETY

- **Keep work area clean and well lit.** Cluttered or dark areas invite accidents.
- **Do not operate power tools in explosive atmospheres, such as in the presence of flammable liquids, gases or dust.** Power tools create sparks which may ignite the dust or fumes.
- **Keep children and bystanders away while operating a power tool.** Distractions can cause you to lose control.

### ELECTRICAL SAFETY

- **Power tool plugs must match the outlet. Never modify the plug in any way. Do not use any adapter plugs with earthed (grounded) power tools.** Unmodified plugs and matching outlets will reduce risk of electric shock.
- **Avoid body contact with earthed or grounded surfaces, such as pipes, radiators, ranges and refrigerators.** There is an increased risk of electric shock if your body is earthed or grounded.
- **Do not expose power tools to rain or wet conditions.** Water entering a power tool will increase the risk of electric shock.
- **Do not abuse the cord. Never use the cord for carrying, pulling or unplugging the power tool. Keep cord away from heat, oil, sharp edges or moving parts.** Damaged or entangled cords increase the risk of electric shock.
- **When operating a power tool outdoors, use an extension cord suitable for outdoor use.** Use of a cord suitable for outdoor use reduces the risk of electric shock.
- **If operating a power tool in a damp location is unavoidable, use a residual current device (RCD) protected supply.** Use of an RCD reduces the risk of electric shock.

### PERSONAL SAFETY

- **Stay alert, watch what you are doing and use common sense when operating a power tool. Do not**

**use a power tool while you are tired or under the influence of drugs, alcohol or medication.** A moment of inattention while operating power tools may result in serious personal injury.

- **Use personal protective equipment. Always wear eye protection.** Protective equipment such as a dust mask, non-skid safety shoes, hard hat or hearing protection used for appropriate conditions will reduce personal injuries.
- **Prevent unintentional starting. Ensure the switch is in the off-position before connecting to power source and/or battery pack, picking up or carrying the tool.** Carrying power tools with your finger on the switch or energising power tools that have the switch on invites accidents.
- **Remove any adjusting key or wrench before turning the power tool on.** A wrench or a key left attached to a rotating part of the power tool may result in personal injury.
- **Do not overreach. Keep proper footing and balance at all times.** This enables better control of the power tool in unexpected situations.
- **Dress properly. Do not wear loose clothing or jewellery. Keep your hair and clothing away from moving parts.** Loose clothes, jewellery or long hair can be caught in moving parts.
- **If devices are provided for the connection of dust extraction and collection facilities, ensure these are connected and properly used.** Use of dust collection can reduce dust-related hazards.
- **Do not let familiarity gained from frequent use of tools allow you to become complacent and ignore tool safety principles.** A careless action can cause severe injury within a fraction of a second.

### POWER TOOL USE AND CARE

- **Do not force the power tool. Use the correct power tool for your application.** The correct power tool will do the job better and safer at the rate for which it was designed.
- **Do not use the power tool if the switch does not turn it on and off.** Any power tool that cannot be controlled with switch is dangerous and must be repaired.
- **Disconnect the plug from the power source and/or remove the battery pack, if detachable, from the power tool before making any adjustments, changing accessories, or storing power tools.** Such preventive safety measures reduce the risk of starting the power tool accidentally.
- **Store idle power tools out of the reach of children and do not allow persons unfamiliar with the power tool or these instructions to operate the power tool.** Power tools are dangerous in the hands of untrained users.
- **Maintain power tools and accessories. Check for misalignment or binding of moving parts, breakage of parts and any other condition that may affect the power tool's operation. If damaged, have the power tool repaired before use.** Many accidents are caused by poorly maintained power tools.
- **Keep cutting tools sharp and clean.** Properly maintained cutting tools with sharp cutting edges are less likely to bind and are easier to control.

- **Use the power tool, accessories and tool bits etc. in accordance with these instructions, taking into account the working conditions and the work to be performed.** Use of the power tool for operations different from those intended could result in a hazardous situation.
- **Keep handles and grasping surfaces dry, clean and free from oil and grease.** Slippery handles and grasping surfaces do not allow for safe handling and control of the tool in unexpected situations.

#### BATTERY TOOL CARE AND USE

- **Recharge only with the charger specified by the manufacturer.** A charger that is suitable for one type of battery pack may create a risk of fire when used with another battery pack.
- **Use power tools only with specifically designated battery packs.** Use of any other battery packs may create a risk of injury and fire.
- **When battery pack is not in use, keep it away from other metal objects, like paper clips, coins, keys, nails, screws or other small metal objects, that can make a connection from one terminal to another.** Shorting the battery terminals together may cause burns or a fire.
- **Under abusive conditions, liquid may be ejected from the battery; avoid contact. If contact accidentally occurs, flush with water. If liquid contacts eyes, additionally seek medical help.** Liquid ejected from the battery may cause irritation or burns.
- **Do not use a battery pack or tool that is damaged or modified.** Damaged or modified batteries may exhibit unpredictable behaviour resulting in fire, explosion or risk of injury.
- **Do not expose a battery pack or tool to fire or excessive temperature.** Exposure to fire or temperature above 130°C may cause explosion.
- **Follow all charging instructions and do not charge the battery pack or tool outside the temperature range specified in the instructions.** Charging improperly or at temperatures outside the specified range may damage the battery and increase the risk of fire.

#### SERVICE

- **Have your power tool serviced by a qualified repair person using only identical replacement parts.** This will ensure that the safety of the power tool is maintained.
- **Never service damaged battery packs.** Service of battery packs should only be performed by the manufacturer or authorized service providers.

#### CORDLESS HEDGE TRIMMER SAFETY WARNINGS

- **Keep all parts of the body away from the blade. Do not remove cut material or hold material to be cut when blades are moving.** Blades continue to move after the switch is turned off. A moment of inattention while operating the hedge trimmer may result in serious personal injury.
- **Carry the hedge trimmer by the handle with the blade stopped and taking care not to operate any power switch.** Proper carrying of the hedge trimmer will decrease the risk of inadvertent starting and resultant personal injury from the blades.

- **When transporting or storing the hedge trimmer, always fit the blade cover.** Proper handling of the hedge trimmer will decrease the risk of personal injury from the blades.
- **When clearing jammed material or servicing the unit, make sure all power switches are off and the battery pack is removed or disconnected.** Unexpected actuation of the hedge trimmer while clearing jammed material or servicing may result in serious personal injury.
- **Hold the hedge trimmer by insulated gripping surfaces only, because the blade may contact hidden wiring.** Blades contacting a "live" wire may make exposed metal parts of the hedge trimmer "live" and could give the operator an electric shock.
- **Keep all power cords and cables away from cutting area.** Power cords or cables may be hidden in hedges or bushes and can be accidentally cut by the blade.
- **Do not use the hedge trimmer in bad weather conditions, especially when there is a risk of lightning.** This decreases the risk of being struck by lightning.

#### ADDITIONAL SAFETY WARNINGS

- Do not attempt to cut stems or twigs that are larger than 22 mm thick for RY18HT45A or 24 mm thick for RY18HT50A, or are obviously too large to feed into the cutting blade. Use a non-powered hand saw or pruning saw to trim large stems.
- While operating the product, always hold it firmly with both hands by the two handles.
- Inspect the product before each use. Check for loose fasteners, etc. Make sure that all guards and handles are properly and securely attached. Replace any damaged parts before use. Check for battery pack leaks.
- Check the hedges and bushes for foreign objects, such as wire fences and hidden wiring.
- The product must be used only at ground level and not on any other unstable support.
- Do not operate the product in poor lighting. The operator requires a clear view of the work area to identify potential hazards.
- The use of hearing protection reduces the ability to hear warnings (shouts or alarms). The operator must pay extra attention to what is going on in the working area.
- Turn off the product, remove the battery pack, and allow both to cool down. Make sure that all moving parts have come to a complete stop:
  - before adjusting the working position of the cutting means
  - before servicing
  - before clearing a blockage
  - before checking, cleaning, or working on the product
  - before changing accessories
  - before leaving the product unattended
  - before checking for damage after striking a foreign object
  - before performing maintenance
  - whenever the product starts to vibrate abnormally
- Do not force the product through heavy shrubbery. This can cause the blades to bind and slow down. If the blades slow down, reduce the pace.

- If the product is dropped, suffers heavy impact, or begins to vibrate abnormally, immediately turn off the product and inspect it for damage or identify the cause of the vibration. Any damage should be properly repaired or replaced by an authorised service centre.
- Operate the product only in temperatures between 0°C and 40°C.
- Store the product in a location where the ambient temperature is between 0°C and 40°C.
- Injuries may be caused, or aggravated, by prolonged use of a tool. When using any tool for prolonged periods, ensure you take regular breaks.

#### ADDITIONAL BATTERY SAFETY WARNINGS

- To reduce the risk of fire, personal injury, and product damage due to a short circuit, never immerse the tool, battery pack, or charger in fluid or allow fluid to flow inside them. Corrosive or conductive fluids, such as seawater, certain industrial chemicals, and bleach or bleach-containing products, etc., can cause a short circuit.
- Charge the battery pack in a location where the ambient temperature is between 10°C and 38°C.
- Store the battery pack in a location where the ambient temperature is between 0°C and 40°C.
- Use the battery pack in a location where the ambient temperature is between 0°C and 40°C.

#### TRANSPORTATION AND STORAGE

- Turn off the product, remove the battery pack, and allow both to cool down before storing or transporting.
- Remove all foreign materials from the product. Store the product in a cool, dry, and well-ventilated area that is inaccessible to children. For extra safety, store the battery pack separately from the product. Keep the product away from corrosive agents such as garden chemicals and de-icing salts. Do not store the product outdoors.
- Fit the blade cover before storing the product or during transportation.
- For transportation, secure the product against movement or falling to prevent injury to persons or damage to the product.

#### TRANSPORTING LITHIUM BATTERIES

Transport the battery in accordance with local and national provisions and regulations.

Follow all special requirements on packaging and labelling when transporting batteries by a third party. Ensure that no batteries can come in contact with other batteries or conductive materials while in transport by protecting exposed connectors with insulating, non-conductive caps or tape. Do not transport batteries that are cracked or leaking. Check with the forwarding company for further advice.

#### MAINTENANCE

- Use only original manufacturer's replacement parts, accessories, and attachments. Failure to do so can cause possible injury, can contribute to poor performance, and may void your warranty.
- Servicing requires extreme care and knowledge and should be performed only by a qualified service technician. Have the product serviced by an authorised service centre only.

- The blades are extremely sharp. To prevent personal injury, exercise extreme caution when cleaning, lubricating, fitting, or removing the blade protector.
- Remove the battery pack before adjusting, maintaining, or cleaning the product.
- You may make adjustments and repairs described in this manual. For other repairs, have the product serviced by an authorised service centre only.
- After each use, clean the plastic parts with a soft, dry cloth.
- After each use, clean the debris from the blades with a stiff brush, and then carefully apply a rust preventative lubricant before refitting the blade protector. The manufacturer recommends using rust preventative lubricant spray to apply an even distribution and reduce the risk of personal injury from contact with the blades. For information about a suitable spray product, check with an authorised service centre.
- Check all nuts, bolts, and screws at frequent intervals for proper tightness to ensure that the product is in safe working condition. Any part that is damaged should be properly repaired or replaced by an authorised service centre.

#### KNOW YOUR PRODUCT

See page 106.

1. Blade guard
2. Front trigger
3. Front handle
4. Rear handle
5. Trigger
6. Blade
7. HEDGESWEEP debris sweeper
8. Blade cover
9. Operator's manual
10. Battery pack
11. Charger

#### SYMBOLS ON THE PRODUCT



Safety alert



Read and understand all instructions before operating the product. Follow all warnings and safety instructions.



European Conformity Mark



British Conformity Mark



EurAsian Conformity Mark



Ukraine Conformity Mark



Waste electrical products should not be disposed of with household waste. Please recycle where facilities exist. Check with your local authority or retailer for recycling advice.



Wear eye protection.



Wear ear protection.



Do not expose the product to rain or damp condition.



Wear non-slip, heavy-duty protective gloves.



Always hold the hedge trimmer with both hands when operating.



To prevent serious injury, do not touch the cutting blades.



Guaranteed sound power level (RY18HT50A)



Guaranteed sound power level (RY18HT45A)



Beware of thrown or flying objects. Keep all bystanders, especially children and pets, at least 15 m away from the operating area.



Remove the battery pack before starting any work on the product

### SYMBOLS IN THIS MANUAL



Warning



Note

Votre taille-haie sans fil a été conçu en donnant priorité à la sécurité, à la performance et à la fiabilité.

## UTILISATION PRÉVUE

Le taille-haie sans fil est uniquement conçu exclusivement pour une utilisation en extérieur, dans un endroit sec et bien éclairé.

Ce produit est destiné à un usage domestique ou privé. Le produit est destiné à la coupe et à la taille des buissons, des arbustes et de végétaux similaires.

Utilisez ce produit pour aucun autre travail.

## AVERTISSEMENTS DE SÉCURITÉ GÉNÉRAUX CONCERNANT LE PRODUIT

**⚠ AVERTISSEMENT!** Lisez l'ensemble des avertissements, instructions, illustrations et spécifications relatifs à la sécurité fournis avec ce produit. Le non-respect des instructions présentées ci-après peut entraîner des accidents tels que des incendies, des décharges électriques et/ou des blessures corporelles graves.

**Conservez tous les avertissements et toutes les instructions pour pouvoir vous y reporter ultérieurement.**

Dans les avertissements, l'expression « outil électrique » fait référence au produit alimenté sur le secteur (à fil) ou sur batterie (sans fil).

## SÉCURITÉ DANS LA ZONE DE TRAVAIL

- **Maintenez l'endroit de travail propre et bien éclairé.** Un lieu de travail en désordre ou mal éclairé augmente le risque d'accidents.
- **N'utilisez pas l'outil électroportatif dans un environnement présentant des risques d'explosion et où se trouvent des liquides, des gaz ou poussières inflammables.** Les outils électroportatifs génèrent des étincelles risquant d'enflammer les poussières ou les vapeurs.
- **Tenez les enfants et autres personnes éloignés durant l'utilisation de l'outil électroportatif.** En cas d'inattention vous risquez de perdre le contrôle sur l'appareil.

## SÉCURITÉ RELATIVE AU SYSTÈME ÉLECTRIQUE

- **La fiche de secteur de l'outil électroportatif doit être appropriée à la prise de courant. Ne modifiez en aucun cas la fiche. N'utilisez pas de fiches d'adaptateur avec des outils électriques avec mise à la terre.** Les fiches non modifiées et les prises de courant appropriées réduisent le risque de décharge électrique.
- **Évitez le contact physique avec des surfaces mises à la terre tels que tuyaux, radiateurs, fours et réfrigérateurs.** Il y a un risque élevé de choc électrique au cas où votre corps serait relié à la terre.
- **Ne pas exposer l'outil électroportatif à la pluie ou à l'humidité.** La pénétration d'eau dans un outil électroportatif augmente le risque d'un choc électrique.
- **Ne malmenez pas le câble d'alimentation. Ne jamais utiliser le cordon pour porter, tirer ou débrancher l'outil. Maintenir le câble éloigné des sources de chaleur, des parties grasses, des bords tranchants ou des parties de l'appareil en rotation.** Un câble endommagé ou torsadé augmente le risque d'un choc électrique.

- **Au cas où l'outil électroportatif serait utilisé à l'extérieur, utiliser une rallonge appropriée pour les applications extérieures.** L'utilisation d'une rallonge électrique appropriée pour les applications extérieures réduit le risque d'un choc électrique.
- **Si une utilisation de l'outil électroportatif dans un environnement humide ne peut pas être évitée, utiliser un disjoncteur différentiel.** Un disjoncteur différentiel réduit le risque d'un choquo électrique.

## SÉCURITÉ DES PERSONNES

- **Rester vigilant, surveiller ce que vous faites. Faire preuve de bon sens en utilisant l'outil électroportatif. Ne pas utiliser un outil électroportatif lorsqu'on est fatigué ou après avoir consommé de l'alcool, des drogues ou avoir pris des médicaments.** Un moment d'inattention lors de l'utilisation de l'outil électroportatif peut entraîner de graves blessures sur les personnes.
- **Porter des équipements de protection. Porter toujours des lunettes de protection.** Le fait de porter des équipements de protection personnels tels que masque anti-poussière, chaussures de sécurité antidérapantes, casque de protection ou protection acoustique suivant le travail à effectuer avec l'outil électroportatif, réduit le risque de blessures.
- **Éviter toute mise en service accidentelle. Assurez-vous que l'interrupteur est en position "arrêt" avant la connexion au secteur et/ou l'insertion de la batterie, ainsi qu'avant de saisir ou de transporter l'outil.** Le transport d'un outil électrique avec votre doigt sur l'interrupteur ou la mise sous tension d'un outil dont l'interrupteur est en position "marche" est propice aux accidents.
- **Enlever tout outil de réglage ou toute clé avant de mettre l'outil électroportatif en fonctionnement. Une clé ou un outil se trouvant sur une partie en rotation peut causer des blessures.** Le fait de porter l'outil électroportatif avec le doigt sur l'interrupteur ou de le brancher sur la source de courant lorsque l'outil électroportatif est en fonctionnement, peut entraîner des accidents.
- **Ne pas se précipiter. Gardez une position et un équilibre adaptés à tout moment.** Cela permet un meilleur contrôle de l'outil dans des situations inattendues.
- **Portez des vêtements appropriés. Ne pas porter de vêtements amples ni de bijoux. Tenir vos cheveux et vos vêtements à l'écart des pièces en mouvement.** Des vêtements amples, des bijoux ou des cheveux longs peuvent être happés par des pièces en mouvement.
- **Si des dispositifs servant à aspirer ou à recueillir les poussières doivent être utilisés, vérifier que ceux-ci soient effectivement raccordés et qu'ils sont correctement utilisés.** L'utilisation d'un dispositif d'aspiration des poussières peut réduire les dangers dus aux poussières.
- **Ne pas relâcher sa vigilance en cas d'utilisation fréquente de certains outils et ne pas ignorer les principes de sécurité des outils.** Une action imprudente peut entraîner de graves blessures en une fraction de seconde.

## UTILISATION ET EMPLOI SOIGNEUX D'OUTILS ÉLECTROPORTATIFS

- **Ne pas surcharger l'appareil. Utiliser l'outil électroportatif approprié au travail à effectuer.** Avec l'outil électroportatif approprié, vous travaillerez mieux et avec plus de sécurité à la vitesse pour laquelle il est prévu.
- **Ne pas utiliser un outil électroportatif dont l'interrupteur est défectueux.** Tout outil qui ne peut pas être commandé par l'interrupteur est dangereux et il faut le réparer.
- **Débranchez la fiche secteur de la source de courant et/ou le pack batterie de l'outil électrique avant d'effectuer tout réglage, tout changement d'accessoire, et avant de le ranger.** Cette mesure de précaution empêche une mise en fonctionnement de l'outil électroportatif par mégarde.
- **Conservé les outils à l'arrêt hors de la portée des enfants et ne pas permettre à des personnes ne connaissant pas l'outil ou les présentes instructions de le faire fonctionner.** Les outils sont dangereux entre les mains d'utilisateurs novices.
- **Entretien des accessoires et les outils électriques.** Vérifier que les parties en mouvement fonctionnent correctement et qu'elles ne soient pas coincées, et contrôler si des parties sont cassées ou endommagées de telle sorte que le bon fonctionnement de l'outil électroportatif s'en trouve entravé. **Faire réparer ces parties endommagées avant d'utiliser l'appareil.** De nombreux accidents sont dus à des outils électroportatifs mal entretenus.
- **Maintenir les outils de coupe aiguisés et propres.** Des outils soigneusement entretenus avec des bords tranchants bien aiguisés se coincent moins souvent et peuvent être guidés plus facilement.
- **Utiliser l'outil, les accessoires et les lames etc., conformément à ces instructions, en tenant compte des conditions de travail et du travail à réaliser.** L'utilisation des outils électroportatifs à d'autres fins que celles prévues peut entraîner des situations dangereuses.
- **Gardez les poignées et les surfaces de préhension sèches, propres et exemptes d'huile et de graisse.** Des poignées et des surfaces de préhension glissantes ne permettent pas une manipulation et un contrôle de l'outil en toute sécurité en cas de situation imprévue.

## UTILISATION ET ENTRETIEN DE L'OUTIL À BATTERIE

- **Ne chargez les blocs de batteries que dans des chargeurs recommandés par le fabricant.** Un chargeur approprié à un type spécifique de batterie peut engendrer un risque d'incendie lorsqu'il est utilisé avec une autre batterie.
- **Dans les outils électriques, n'utilisez que les blocs de batteries spécialement prévus pour ceux-ci.** L'utilisation de tout autre bloc de batterie peut entraîner des blessures et des risques d'incendie.
- **Lorsqu'un bloc de batterie n'est pas utilisé, maintenez-le à l'écart de tout autre objet métallique, par exemple trombones, pièces de monnaie, clés, clous, vis ou autres objets de petite taille qui peuvent donner lieu à une connexion d'une borne à une autre.** Un court-circuit entre les contacts de batterie peut provoquer des brûlures ou un incendie.

- **En cas d'utilisation abusive, du liquide peut sortir du bloc de batterie. Évitez tout contact avec ce liquide. En cas de contact accidentel, rincez soigneusement avec de l'eau. Si du liquide entre en contact avec les yeux, consultez immédiatement un médecin.** Le liquide qui sort du bloc de batterie peut entraîner des irritations de la peau ou causer des brûlures.
- **Ne pas utiliser un outil ou un pack de batterie endommagé ou modifié.** Des batteries endommagées ou modifiées peuvent présenter un comportement imprévisible pouvant causer un incendie, une explosion ou un risque de blessure.
- **N'exposez pas un outil ou un bloc-batterie au feu ou à des températures excessives.** L'exposition au feu ou à des températures supérieures à 130 °C peut provoquer une explosion.
- **Suivre toutes les instructions de chargement et ne pas charger l'outil ou le pack de batterie en dehors de la plage de températures spécifiée dans les instructions.** Un chargement incorrect ou à des températures en dehors de la plage spécifiée peut endommager la batterie et augmenter le risque d'incendie.

## TRAVAUX D'ENTRETIEN

- **Ne faire réparer l'outil électroportatif que par un personnel qualifié et seulement avec des pièces de rechange d'origine.** Ceci permet d'assurer la sécurité de l'appareil.
- **Ne jamais procéder à l'entretien des packs de batterie endommagés.** L'entretien des packs de batterie ne peut être effectué que par le fabricant ou des prestataires agréés.

## MISES EN GARDE DE SÉCURITÉ CONCERNANT LE TAILLE-HAIES SUR PERCHE HYBRIDE SANS FIL

- **Tenir toutes les parties du corps à l'écart de la lame. Ne tentez pas de retirer des matériaux coupés ou de maintenir un élément à couper lorsque les lames sont en mouvement.** Les lames continuent à tourner une fois le moteur éteint. Un moment d'inattention lors de l'utilisation du produit peut provoquer de graves blessures.
- **Porter le taille-haie par la poignée, avec la lame éteinte et en prenant soin de ne pas appuyer sur aucun interrupteur.** Un transport correct du taille-haies réduira le risque de démarrage accidentel pouvant entraîner des blessures causées par les lames.
- **Lors du transport et du stockage du taille-haies, toujours installer le cache-lame.** Une manipulation correcte du taille-haies réduira le risque de blessures causées par les lames.
- **Lors du dégagement d'obstructions ou de l'entretien de l'unité, s'assurer que tous les interrupteurs de mise sous tension sont en position désactivée (hors tension) et que le bloc-batterie est retiré ou déconnecté.** Un actionnement inattendu du taille-haie lors du dégagement d'obstructions ou de l'entretien pourrait provoquer de graves blessures.
- **Tenir le taille-haie uniquement au niveau des surfaces de saisie isolées. Sa lame pourrait entrer en contact avec des branchements dissimulés.** Le contact entre les lames et un fil sous tension peut rendre conductrices les parties métalliques exposées du taille-haies et envoyer une décharge électrique à l'opérateur.



- **Tenir l'ensemble des cordons d'alimentation et des câbles à l'écart de la zone de coupe.** Des câbles ou des cordons d'alimentation cachés dans des haies ou des buissons pourraient être accidentellement coupés par la lame.
- **Ne pas utiliser la taille-haies si les conditions météorologiques sont défavorables, tout particulièrement en cas de risque de foudre.** Ceci réduit le risque d'être frappé par la foudre.

#### INSTRUCTIONS DE SÉCURITÉ ADDITIONNELLES

- Ne pas essayer de couper des branches et des tiges d'une épaisseur supérieure à 22 mm avec le RY18HT45A ou de 24 mm d'épaisseur avec le RY18HT50A, ou qui sont visiblement trop larges pour passer entre les lames. Coupez les grosses branches à l'aide d'une scie à main ou d'un élagueur.
- Lorsque vous utilisez le produit, tenez-le toujours fermement des deux mains par ses deux poignées.
- Vérifiez la machine avant chaque utilisation. Vérifiez le bon serrage des attaches, l'absence de fuite de carburant, etc. Assurez-vous que toutes les protections et toutes les poignées sont bien en place et bien verrouillés. Remplacez toute pièce endommagée avant utilisation. Vérifiez l'absence de fuite du pack batterie.
- Chercher les objets cachés dans les haies et les buissons, tels que les barbelés et les branchements dissimulés.
- Le produit ne doit être utilisé qu'au niveau du sol et jamais sur un support instable, quel qu'il soit.
- Ne faites pas fonctionner le produit sous un mauvais éclairage. L'opérateur doit avoir une bonne vue d'ensemble de la zone de travail pour identifier les dangers éventuels.
- L'utilisation d'une protection auditive réduit la capacité à entendre les avertissements (cris ou alarmes). L'utilisateur doit redoubler d'attention par rapport aux événements survenant dans la zone de travail.
- Mettez l'appareil hors tension, retirez le bloc de batterie et laissez-le refroidir. Assurez-vous que tous les éléments en mouvement se sont bien arrêtés:
  - avant d'ajuster la position de fonctionnement des éléments coupants
  - avant entretien
  - avant de retirer une obstruction
  - avant de travailler sur le produit, de le vérifier ou de le nettoyer
  - avant de changer les accessoires
  - avant de laisser le produit sans surveillance
  - avant de vérifier l'absence de dommage après avoir heurté un objet
  - avant de procéder à la maintenance
  - si le produit se met à vibrer de façon anormale
- Ne pas forcer le produit dans des buissons épais. Les lames pourraient forcer et ralentir. Si les lames ralentissent, réduisez votre vitesse de progression.
- Si le produit est tombé, a subi un choc important ou se met à vibrer de façon anormale, arrêtez-le immédiatement et recherchez les dommages éventuels ou identifiez la cause des vibrations. Toute pièce endommagée doit être correctement remplacée ou réparée par un centre de service agréé.

- Utilisez le produit uniquement à des températures comprises entre 0 et 40 °C.
- Stockez le produit à un endroit dont la température ambiante est comprise entre 0 et 40 °C.
- L'utilisation prolongée d'un outil est susceptible de provoquer ou d'aggraver des blessures. Assurez-vous de faire des pauses de façon régulière lorsque vous utilisez tout outil de façon prolongée.

#### MISES EN GARDE DE SÉCURITÉ SUPPLÉMENTAIRES CONCERNANT LA BATTERIE

- Pour réduire le risque d'incendie, de blessures corporelles et de dommages cau-sés par un court-circuit, ne jamais immerger l'outil, le bloc-piles ou le chargeur dans un liquide ou laisser couler un fluide à l'intérieur de celui-ci. Les fluides corrosifs ou conducteurs, tels que l'eau de mer, certains produits chimiques industriels, les produits de blanchiment ou contenant des agents de blanchiment etc. peuvent provoquer un court-circuit
- Rechargez le bloc de batterie à un endroit où la température ambiante est comprise entre 10 et 38 °C.
- Remisez le bloc de batterie à un endroit où la température ambiante est comprise entre 10 et 40 °C
- Utiliser le bloc-batterie à un endroit où la température ambiante est comprise entre 0 et 40 °C.

#### TRANSPORT ET STOCKAGE

- Mettez l'appareil hors tension, retirez le bloc-batterie et laissez-le refroidir avant de le ranger ou de le transporter.
- Débarrassez l'appareil de tous les corps étrangers. Rangez l'appareil dans un endroit bien ventilé, hors de portée des enfants. Pour plus de sécurité, rangez la batterie séparément du produit. Tenez le produit à l'écart des agents corrosifs tels que les produits chimiques pour le jardin et les sels de dégivrage. Ne rangez pas ranger le produit à l'extérieur.
- Placer le protège-lame avant de ranger le produit ou pendant le transport.
- Pour le transport, attachez le produit pour l'empêcher de bouger ou de tomber, afin d'éviter toute blessure et tout dommage matériel.

#### TRANSPORT DES BATTERIES AU LITHIUM

Transportez les batteries en conformité avec les dispositions et règlements locaux et nationaux.

Respectez toutes les exigences légales particulières concernant l'emballage et l'étiquetage des batteries lorsque vous confiez leur transport à un tiers. Assurez-vous qu'aucune batterie ne puisse entrer en contact avec une autre batterie ou avec des matériaux conducteurs lors de son transport en isolant les bornes électriques avec du ruban adhésif ou des capuchons isolants non conducteurs. Ne transportez pas une batterie qui serait fendue ou qui fuirait. Demandez conseil au transporteur pour de plus amples informations.

#### ENTRETIEN

- N'utilisez que des pièces détachées et des accessoires d'origine constructeur. Le non respect de cette précaution peut entraîner de mauvaises performances, des blessures, et annuler votre garantie.

- Les réparations demandent un soin et des connaissances extrêmes et ne doivent être effectuées que par un technicien de service qualifié. Confiez l'entretien du produit à un centre de service agréé.
- Les lames sont extrêmement coupantes. Pour éviter toute blessure, soyez extrêmement prudent lors des opérations de nettoyage, de lubrification, et lors de la mise en place et du retrait du protège-lame.
- Retirer la batterie avant de régler, réaliser l'entretien ou nettoyer le produit.
- Vous pouvez effectuer les réglages et réparations décrits dans ce manuel. Pour les autres réparations, adressez-vous uniquement à un centre d'entretien agréé.
- Après chaque utilisation, nettoyer les pièces en plastique avec un chiffon doux et sec.
- Après chaque utilisation, retirez les débris des lames à l'aide d'une brosse dure, puis appliquez délicatement un lubrifiant anti-rouille avant de remettre en place le protège-lame. Le fabricant vous recommande de déposer une couche régulière d'un aérosol lubrifiant et anti-rouille sur les lames pour réduire les risques de vous blesser en entrant en contact avec ces lames. Pour obtenir des informations sur un aérosol adapté, contactez votre centre de service agréé local.
- Vérifiez régulièrement le bon serrage des écrous, vis et boulons pour vous assurer que le produit soit toujours en bon état de fonctionnement. Toute pièce endommagée doit être correctement remplacée ou réparée par un centre de service agréé.

## APPRENEZ À CONNAÎTRE VOTRE PRODUIT

Voir page 106.

1. Protection de la lame
2. Déclencheur avant
3. Poignée avant
4. Poignée arrière
5. Gâchette
6. Lame
7. Déflecteur de débris HEDGESWEEP
8. Couvre-lame
9. Manuel utilisateur
10. Bloc de batterie
11. Chargeur

## SYMBOLES APPLIQUÉS SUR LE PRODUIT



Alerte de sécurité



Lisez et comprenez toutes les instructions avant d'utiliser le produit. Respectez l'ensemble des avertissements et consignes de sécurité.



Marque de conformité européenne



Marque de conformité britannique



Marque de conformité d'Eurasie



Marque de conformité ukrainienne



Les produits électriques hors d'usage ne doivent pas être jetés avec les ordures ménagères. Recyclez-les par l'intermédiaire des structures disponibles. Contactez les autorités locales ou votre distributeur pour vous renseigner sur les conditions de recyclage.



Portez une protection oculaire.



Portez une protection auditive.



Ne pas exposer à la pluie ou à des conditions humides.



Portez des gants de protection solides et antidérapants.



Tenez toujours le taille-haie des deux mains lorsque vous l'utilisez.



Ne touchez pas les lames afin d'éviter toute blessure grave.



Niveau de puissance sonore garanti (RY18HT50A)



Niveau de puissance sonore garanti (RY18HT45A)



Prenez garde à la projection d'objets au sol et dans les airs. Gardez tous les passants, en particulier les enfants et les animaux, éloignés d'au moins 15 m de la zone de travail.



Retirez le bloc de batterie avant de commencer un quelconque travail sur le produit.

## SYMBOLES DE CE MANUEL



Avertissement



Remarque

Sicherheit, Leistung und Zuverlässigkeit hatten oberste Priorität bei der Entwicklung Ihrer Akku-Heckenschere.

### BESTIMMUNGSGEMÄSSE VERWENDUNG

Die Akku-Heckenschere ist ausschließlich zur Nutzung im Freien unter trockenen Bedingungen und bei guter Beleuchtung geeignet.

Dieses Produkt wurde für den Hausgebrauch entwickelt. Das Gerät ist zum Schneiden und Kürzen von Hecken, Büschen und ähnlichen Pflanzen vorgesehen.

Das Produkt darf zu keinen anderen Zwecken verwendet werden.

### ALLGEMEINE SICHERHEITSHINWEISE ZUM GERÄT

**⚠️ WARNUNG!** Lesen Sie aufmerksam alle mit diesem Werkzeug gelieferten Warnungen, Anweisungen und Spezifikationen, beziehen Sie sich auf die Illustrationen. Die Nichtbeachtung der weiter unten aufgeführten Anweisungen kann Unfälle wie Brände, Elektroschocks und/oder schwere Körperverletzungen zur Folge haben.

**Bewahren Sie alle Sicherheitshinweise und Anweisungen für die Zukunft auf.**

Der Begriff „Elektrogerät“ in den Warnhinweisen bezieht sich auf Ihr über einen Stromanschluss (mit Stromkabel) oder mit einem Akku (kabellos) betriebenes Gerät.

### ARBEITSPLATZSICHERHEIT

- **Halten Sie Ihren Arbeitsbereich sauber und gut beleuchtet.** Unordnung oder unbeleuchtete Arbeitsbereiche können zu Unfällen führen.
- **Arbeiten Sie mit dem Elektrowerkzeug nicht in explosionsgefährdeter Umgebung, in der sich brennbare Flüssigkeiten, Gase oder Stäube befinden.** Elektrowerkzeuge erzeugen Funken, die den Staub oder die Dämpfe entzünden können.
- **Halten Sie Kinder und andere Personen während der Benutzung des Elektrowerkzeugs fern.** Bei Ablenkung können Sie die Kontrolle über das Gerät verlieren.

### ELEKTRISCHE SICHERHEIT

- **Der Anschlussstecker des Elektrowerkzeuges muss in die Steckdose passen.** Der Stecker darf in keiner Weise verändert werden. Verwenden Sie keine Adapterstecker gemeinsam mit geschützten Elektrowerkzeugen. Unveränderte Stecker und passende Steckdosen verringern das Risiko eines elektrischen Schlages!
- **Vermeiden Sie Körperkontakt mit geerdeten Oberflächen wie von Rohren, Heizungen, Herden und Kühlschränken.** Es besteht ein erhöhtes Risiko durch elektrischen Schlag, wenn Ihr Körper geerdet ist.
- **Halten Sie Elektrowerkzeuge von Regen oder Nässe fern.** Das Eindringen von Wasser in ein Elektrowerkzeug erhöht das Risiko eines elektrischen Schlages.
- **Das Stromkabel nicht überstrapazieren.** Verwenden Sie das Kabel niemals, um das Werkzeug damit zu tragen, zu ziehen oder den Stecker aus der Steckdose zu ziehen. Halten Sie das Kabel fern von Hitze, Öl, scharfen Kanten oder sich bewegenden Geräteteilen. Beschädigte oder verwickelte Kabel erhöhen das Risiko eines elektrischen Schlages.

- **Wenn Sie mit einem Elektrowerkzeug im Freien arbeiten, verwenden Sie nur Verlängerungskabel, die auch für den Außenbereich geeignet sind.** Die Anwendung eines für den Außenbereich geeigneten Verlängerungskabels verringert das Risiko eines elektrischen Schlages.
- **Wenn der Betrieb des Elektrowerkzeuges in feuchter Umgebung nicht vermeidbar ist, verwenden Sie einen Fehlerstromschutzschalter.** Der Einsatz eines Fehlerstromschutzschalters vermindert das Risiko eines elektrischen Schlages.

### SICHERHEIT VON PERSONEN

- **Seien Sie aufmerksam, achten Sie darauf, was Sie tun und gehen Sie mit Vernunft an die Arbeit mit einem Elektrowerkzeug.** Benutzen Sie kein Elektrowerkzeug, wenn Sie müde sind oder unter dem Einfluss von Drogen, Alkohol oder Medikamenten stehen. Ein Moment der Unachtsamkeit beim Gebrauch des Elektrowerkzeuges kann zu ernsthaften Verletzungen führen.
- **Benutzen Sie eine persönliche Schutzausrüstung. Immer eine Schutzbrille.** Das Tragen persönlicher Schutzausrüstung, wie Staubmaske, rutschfeste Sicherheitsschuhe, Schutzhelm oder Gehörschutz, je nach Art und Einsatz des Elektrowerkzeuges, verringert das Risiko von Verletzungen.
- **Vermeiden Sie eine unbeabsichtigte Inbetriebnahme.** Vergewissern Sie sich, dass das Elektrowerkzeug ausgeschaltet ist, bevor Sie es an die Stromversorgung und/oder den Akku anschließen, es aufnehmen oder tragen. Das Tragen von Elektrowerkzeugen mit dem Finger am Schalter bzw. von an die Stromversorgung angeschlossenen Elektrowerkzeugen bei eingeschaltetem Schalter kann zu Unfällen führen.
- **Entfernen Sie Einstellwerkzeuge oder Schraubenschlüssel, bevor Sie das Elektrowerkzeug einschalten.** Ein Werkzeug oder Schlüssel, der sich in einem drehenden Geräteteil befindet, kann zu Verletzungen führen.
- **Vermeiden Sie eine abnormale Körperhaltung.** Sorgen Sie für einen sicheren Stand und halten Sie jederzeit das Gleichgewicht. Dadurch können Sie das Elektrowerkzeug in unerwarteten Situationen besser kontrollieren.
- **Tragen Sie geeignete Kleidung.** Tragen Sie keine locker sitzende Kleidung oder Schmuck. Halten Sie Ihr Haar und Ihre Kleidung von beweglichen Teilen fern. Lockere Kleidung, Schmuck oder lange Haare können von sich bewegenden Teilen erfasst werden.
- **Wenn Staubabsaug- und -auffangeinrichtungen montiert werden können, vergewissern Sie sich, dass diese angeschlossen sind und richtig verwendet werden.** Verwendung einer Staubabsaugung kann Gefährdungen durch Staub verringern.
- **Wiegen Sie sich nicht in falscher Sicherheit und setzen Sie sich nicht über die Sicherheitsregeln für Elektrowerkzeuge hinweg, auch wenn sie nach vielfachem Gebrauch mit dem Elektrowerkzeug vertraut sind.** Eine unvorsichtige Aktion kann in einem Sekundenbruchteil eine schwere Verletzung verursachen.

## VERWENDUNG UND BEHANDLUNG DES ELEKTROWERKZEUGES

- **Überlasten Sie das Gerät nicht. Verwenden Sie für Ihre Arbeit das dafür bestimmte Elektrowerkzeug.** Mit dem passenden Elektrowerkzeug arbeiten Sie besser und sicherer im angegebenen Leistungsbereich.
- **Benutzen Sie kein Elektrowerkzeug, dessen Schalter defekt ist.** Ein Elektrowerkzeug, das sich nicht mehr ein- oder ausschalten lässt, ist gefährlich und muss repariert werden.
- **Ziehen Sie den Stecker aus der Steckdose und/oder entfernen Sie den Akku, bevor Sie Geräteeinstellungen vornehmen, Zubehörteile wechseln oder das Gerät weglegen.** Diese Vorsichtsmaßnahme verhindert den unbeabsichtigten Start des Elektrowerkzeugs.
- **Bewahren Sie unbenutzte Elektrowerkzeuge außerhalb der Reichweite von Kindern auf. Lassen Sie Personen das Gerät nicht benutzen, die mit diesem nicht vertraut sind oder diese Anweisungen nicht gelesen haben.** Elektrowerkzeuge sind gefährlich, wenn sie von unerfahrenen Personen benutzt werden
- **Warten Sie Elektrowerkzeuge und das Zubehör. Kontrollieren Sie, ob bewegliche Teile einwandfrei funktionieren und nicht klemmen, ob Teile gebrochen oder so beschädigt sind, dass die Funktion des Elektrowerkzeugs beeinträchtigt ist. Lassen Sie beschädigte Teile vor dem Einsatz des Gerätes reparieren.** Viele Unfälle haben ihre Ursache in schlecht gewarteten Elektrowerkzeugen.
- **Halten Sie Schneidwerkzeuge scharf und sauber.** Sorgfältig gepflegte Schneidwerkzeuge mit scharfen Schneidkanten verklemmen sich weniger und sind leichter zu führen.
- **Verwenden Sie Elektrowerkzeug, Zubehör, Einsatzwerkzeuge usw. entsprechend diesen Anweisungen. Berücksichtigen Sie dabei die Arbeitsbedingungen und die auszuführende Tätigkeit.** Der Gebrauch von Elektrowerkzeugen für andere als die vorgesehenen Anwendungen kann zu gefährlichen Situationen führen.
- **Halten Sie die Griffe und Griffflächen trocken, sauber und frei von Öl und Schmierstoffen.** Rutschige Griffe und Griffflächen verhindern die sichere Bedienung und Kontrolle des Werkzeugs in unerwarteten Situationen.

## GEBRAUCH UND PFLEGE DES AKKU-WERKZEUGS

- **Laden Sie die Akkus nur in Ladegeräten auf, die vom Hersteller empfohlen werden.** Für ein Ladegerät, das für eine bestimmte Art von Akkus geeignet ist, besteht Brandgefahr, wenn es mit anderen Akkus verwendet wird.
- **Verwenden Sie nur die dafür vorgesehenen Akkus in den Elektrowerkzeugen.** Der Gebrauch von anderen Akkus kann zu Verletzungen und Brandgefahr führen.
- **Halten Sie die den nicht benutzten Akku fern von Büroklammern, Münzen, Schlüsseln, Nägeln, Schrauben oder anderen kleinen Metallgegenständen, die eine Überbrückung der Kontakte verursachen könnten.** Ein Kurzschluss zwischen den Akkukontakten kann Verbrennungen oder Feuer zur Folge haben.
- **Bei falscher Anwendung kann Flüssigkeit aus dem Akku austreten; vermeiden Sie den Kontakt damit. Bei zufälligem Kontakt mit Wasser abspülen.**

Suchen Sie außerdem medizinische Hilfe auf, falls die Flüssigkeit in die Augen gerät. Austretende Akkufflüssigkeit kann zu Hautreizungen oder Verbrennungen führen.

- **Verwenden Sie keinen beschädigten oder modifizierten Akkupack oder Werkzeuge.** Beschädigte oder modifizierte Akkus können zu unvorhersehbaren Reaktionen führen, was zu Feuer, Explosion oder Verletzungsgefahr führt.
- **Setzen Sie Akkus oder Werkzeuge nicht Feuer oder zu hohen Temperaturen aus.** Feuereinwirkung oder Temperaturen über 130° C können zu einer Explosion führen.
- **Befolgen Sie alle Ladeanweisungen und laden Sie den Akkupack nicht außerhalb des in der Anleitung angegebenen Temperaturbereichs auf.** Bei unsachgemäßer Aufladung oder Aufladung bei Temperaturen außerhalb des angegebenen Bereichs kann der Akku beschädigt und das Brandrisiko erhöht werden.

## SERVICE

- **Lassen Sie Ihr Elektrowerkzeug nur von qualifiziertem Fachpersonal und nur mit Original-Ersatzteilen reparieren.** Damit wird sichergestellt, dass die Sicherheit des Elektrowerkzeugs erhalten bleibt.
- **Warten Sie niemals beschädigte Akkus.** Sämtliche Wartung von Akkus sollte nur durch den Hersteller oder bevollmächtigte Kundendienststellen erfolgen.

## SICHERHEITSHINWEISE FÜR DIE AKKU-HECKENSCHERE

- **Halten Sie alle Körperteile von der Klinge fern. Entfernen Sie kein Schnittmaterial oder halten zu schneidendes Material, während die Klingen sich in Bewegung befinden.** Die Klingen rotieren nach dem Abschalten des Motors weiterhin. Ein Moment der Unachtsamkeit bei der Benutzung einer Heckenschere kann zu schweren Verletzungen führen.
- **Tragen Sie die Heckenschere bei angehaltener Klinge am Griff und achten Sie darauf, die Einschalttaste nicht zu bedienen.** Das korrekte Tragen der Heckenschere verringert das Risiko des unbeabsichtigten Einschaltens und damit das Risiko von Verletzungen durch die Klingen.
- **Legen Sie zum Transport sowie zum Aufbewahren der Heckenschere immer die Klingenabdeckung auf.** Die korrekte Handhabung der Heckenschere verringert das Risiko von Verletzungen durch die Klingen.
- **Stellen Sie beim Entfernen von eingeklemmtem Material bzw. beim Warten der Einheit sicher, dass alle Netzschalter ausgeschaltet sind und dass der Akku entnommen bzw. die Verbindung unterbrochen wurde.** Unerwartetes Ingangsetzen der Heckenschere bei der Wartung oder beim Entfernen von eingeklemmtem Material kann zu schwerwiegenden Personenschäden führen.
- **Halten Sie die Heckenschere nur an den isolierten Greifflächen, da die Klingen in Kontakt mit verborgener Verkabelung kommen können.** Wenn die Klingen Kontakt zu einem stromführenden Draht haben, kann das dazu führen, dass offenliegende Metallteile der Heckenschere ebenfalls Strom führen, und der Bediener könnte einen Stromschlag erleiden.



- **Halten Sie alle Stromkabel aus dem Schneidbereich fern.** Stromkabel können in Hecken oder Gebüsch verborgen sein und versehentlich mit der Messer durchtrennt werden.
- **Nutzen Sie die Heckenschere nicht bei schlechtem Wetter, vor allem nicht bei Gewittergefahr.** Dies verringert das Risiko, von einem Blitz getroffen zu werden.

#### ZUSÄTZLICHE SICHERHEITSWARNUNGEN

- Versuchen Sie nicht, Zweige oder Äste mit einem Durchmesser von mehr als 22 mm mit dem Gerät RY18HT45A bzw. von mehr als 24 mm mit dem RY18HT50A oder solche Zweige und Äste zu schneiden, die offensichtlich nicht in das Schneidmesser passen. Verwenden Sie eine Hand- oder Astsäge ohne Motor, um größere Äste und Stämme zu schneiden.
- Halten Sie das Produkt bei der Benutzung immer mit beiden Händen an den beiden Griffen fest.
- Untersuchen Sie das Produkt vor jeder Benutzung. Überprüfen Sie auf lockere Verschlüsse, Treibstofflecks, usw. Stellen Sie sicher, dass alle Schutzvorrichtungen und Griffe ordnungsgemäß und sicher befestigt sind. Ersetzen Sie vor der Benutzung jegliche beschädigten Teile. Überprüfen Sie den Akku auf undichte Stellen.
- Überprüfen Sie die Hecken und Sträucher auf Fremdkörper, z. B. Drahtzäune und verborgene Drähte.
- Das Gerät darf nur vom Boden aus betrieben werden, der Bediener darf dabei nicht auf einer instabilen Stütze stehen.
- Arbeiten Sie nicht mit dem Gerät bei schlechter Beleuchtung. Der Benutzer braucht einen ungehinderten Blick auf den Arbeitsbereich, um mögliche Gefahren zu erkennen.
- Das Tragen von Gehörschutz verringert Ihre Fähigkeit Warnungen zu hören (Warnungen oder Zurufe). Der Benutzer muss dem, was im Arbeitsbereich vor sich geht, ganz besondere Beachtung schenken.
- Schalten Sie das Gerät aus, entfernen Sie den Akku und lassen Sie beides abkühlen. Stellen Sie sicher, dass alle bewegliche Teile vollständig angehalten sind:
  - bevor die Arbeitsstellung des Schneidwerkzeugs eingestellt wird
  - bevor Sie das Produkt warten
  - bevor Sie eine Blockierung entfernen
  - Bevor Sie das Produkt prüfen, reinigen oder daran arbeiten
  - bevor Sie Zubehörteile wechseln
  - bevor Sie das Produkt unbeaufsichtigt zurücklassen
  - bevor Sie das Gerät nach dem Kontakt mit Gegenständen auf Schäden prüfen
  - vor der Durchführung der Wartung
  - wenn die Maschine anfängt ungewöhnlich zu vibrieren
- Führen Sie das Produkt nicht mit Gewalt durch dichtes Strauchwerk. Dies kann dazu führen, dass das Schneidwerkzeug blockieren und dadurch langsamer werden. Sollte die Schneidwerkzeuge langsamer werden, verringern Sie die Arbeitsgeschwindigkeit.
- Wenn das Produkt fallen gelassen wurde oder einen schweren Schlag erhielt oder ungewöhnlich vibriert,

stoppen Sie das Produkt sofort und überprüfen es auf Schäden oder identifizieren Sie die Ursache der Vibration. Jeder Schaden sollte durch den autorisierten Kundendienst ordnungsgemäß repariert oder ausgetauscht werden.

- Betreiben Sie das Gerät nur bei Temperaturen zwischen 0 und 40 °C.
- Bewahren Sie das Gerät bei einer Umgebungstemperatur von 0 bis 40 °C auf.
- Verletzungen können durch lange Benutzung eines Werkzeugs entstehen oder verschlimmert werden. Machen Sie regelmäßig Pause, wenn Sie ein Werkzeug für lange Zeit benutzen.

#### WEITERE SICHERHEITSHINWEISE ZUM AKKU

- Um die durch einen Kurzschluss verursachte Gefahr eines Brandes, von Verletzungen oder Produktbeschädigungen zu vermeiden, tauchen Sie das Werkzeug, den Wechselakku oder das Ladegerät nicht in Flüssigkeiten ein und sorgen Sie dafür, dass keine Flüssigkeiten in die Geräte und Akkus eindringen. Korrodierende oder leitfähige Flüssigkeiten, wie Salzwasser, bestimmte Chemikalien und Bleichmittel oder Produkte, die Bleichmittel enthalten, können einen Kurzschluss verursachen.
- Laden Sie den Akku bei einer Umgebungstemperatur von 10 bis 38 °C.
- Bewahren Sie den Akku bei einer Umgebungstemperatur von 0 bis 40 °C auf.
- Verwenden Sie den Akku bei Umgebungstemperaturen von 0 bis 40 °C.

#### TRANSPORT UND LAGERUNG

- Schalten Sie das Gerät aus, entfernen Sie den Akku und lassen Sie das Gerät abkühlen, bevor Sie es aufbewahren oder transportieren.
- Entfernen Sie alle Fremdkörper vom Produkt. Lagern Sie das Produkt an einem gut gelüfteten Ort, der für Kinder nicht zugänglich ist. Lagern Sie den Akku für zusätzliche Sicherheit getrennt von dem Produkt. Halten Sie das Produkt von ätzenden Mitteln wie Gartenchemikalien und Streusalz fern. Lagern Sie das Gerät nicht im Freien.
- Setzen Sie vor dem Aufbewahren und zum Transport die Schutzabdeckung auf das Gerät.
- Sichern Sie die Maschine beim Transport gegen Bewegung oder fallen, um Verletzungen und Beschädigung des Gerätes zu verhindern.

#### TRANSPORT VON LITHIUM-IONEN-AKKUS

Transportieren Sie Akkus gemäß Ihren örtlichen und nationalen Bestimmungen und Regeln.

Befolgen Sie alle besonderen Anforderungen für Verpackung und Beschriftung, wenn Sie Akkus von Dritten transportieren lassen. Stellen Sie sicher, dass beim Transport kein Akku in Kontakt mit anderen Akkus oder leitenden Materialien kommt, indem Sie die freien Anschlüsse mit Isolierband, nichtleitenden Kappen oder Kleband schützen. Beschädigte oder auslaufende Akkus dürfen nicht transportiert werden. Weitere Informationen erhalten Sie bei Ihrem Transportunternehmen.



## WARTUNG UND PFLEGE

- Verwenden Sie ausschließlich original Ersatzteile, Zubehör und Aufsätze des Herstellers. Nichtbefolgung kann mögliche Verletzungen oder schlechte Leistung verursachen und Ihre Garantie ungültig machen.
- Service und Wartung des Gerätes erfordert besonderen Sorgfalt und Kenntnisstand und sollte nur durch qualifiziertes Personal durchgeführt werden. Lassen Sie das Gerät nur von einem autorisierten Servicecenter warten.
- Die Messer sind extrem scharf. Seien Sie bei der Reinigung, dem Ölen und Anbringen oder Entfernen des Transportschutzes extrem vorsichtig, um Verletzungen zu vermeiden.
- Entfernen Sie vor dem Justieren, Durchführen der Wartung oder Reinigen des Geräts den Akku.
- Sie dürfen die in dieser Bedienungsanleitung beschriebenen Einstellungen und Reparaturen durchführen. Wenden Sie sich zwecks anderer Reparaturen nur an ein autorisiertes Servicecenter.
- Reinigen Sie die Kunststoffteile nach jeder Nutzung mit einem trockenen weichen Tuch.
- Reinigen Sie nach jeder Benutzung das Schneidwerkzeug von Schmutz mit einer harten Bürste und tragen dann vorsichtig ein Öl als Rostschutz auf, bevor Sie den Transportschutz wieder anbringen. Der Hersteller empfiehlt, dass Sie ein Spray als Rostschutz und zum Ölen benutzen, um eine gleichmäßige Verteilung zu gewährleisten und die Gefahr einer Verletzung durch Berührung der Klingen zu verringern. Fragen Sie Ihren autorisierten Kundendienst nach einem geeignete Spray-Produkt.
- Überprüfen Sie Bolzen, Muttern und Schrauben in regelmäßigen Abständen, ob sie alle fest angezogen sind, um somit sicherzustellen, dass das Produkt in einem sicheren Zustand ist. Jedes beschädigte Teil muss durch den autorisierten Kundendienst ordnungsgemäß repariert oder ausgetauscht werden.

## MACHEN SIE SICH MIT IHREM PRODUKT VERTRAUT

Siehe Seite 106.

1. Schneidgarniturschutz
2. Vorderer Auslöser
3. Vorderer Handgriff
4. Hinterer Handgriff
5. Betätigungshebel
6. Messer
7. HEDGESWEEP Schnittgut-Kehrer
8. Schutzabdeckung
9. Bedienungsanleitung
10. Akkupack
11. Ladegerät

## SYMBOLE AUF DEM PRODUKT



Sicherheitswarnung



Vor dem Bedienen des Produkts müssen Sie alle Anweisungen lesen und verstehen. Befolgen Sie alle Warn- und Sicherheitshinweise.



Europäisches Konformitätskennzeichen



Britisches Konformitätskennzeichen

EurAsian Konformitätszeichen



Ukrainisches Konformitätskennzeichen



Elektrische Geräte sollten nicht mit dem übrigen Müll entsorgt werden. Bitte entsorgen Sie diese an den entsprechenden Entsorgungsstellen. Wenden Sie sich an die örtliche Behörde oder Ihren Händler, um Auskunft über die Entsorgung zu erhalten.



Tragen Sie einen Augenschutz.



Tragen Sie einen Gehörschutz.



Nicht Regen oder feuchten Bedingungen aussetzen.



Tragen Sie rutschfeste, strapazierfähige Schutzhandschuhe.



Halten Sie die Heckenschere beim Betrieb immer mit beiden Händen.



Berühren Sie zur Vermeidung von Verletzungen nicht die Schneidmesser.



Garantierter Schalleistungspegel (RY18HT50A)



Garantierter Schalleistungspegel (RY18HT45A)



Achten Sie auf geschleuderte oder fliegende Objekte. Halten Sie unbeteiligte Personen (insbesondere Kinder und Tiere) mindestens 15m vom Arbeitsbereich fern.



Entfernen Sie den Akku, bevor Sie mit Arbeiten an dem Produkt beginnen.

## SYMBOLE IN DIESER BEDIENUNGSANLEITUNG



Warnung



Hinweis

Seguridad, desempeño y fiabilidad han sido las prioridades en el diseño de su cortasetos inalámbrico.

### USO PREVISTO

El cortasetos inalámbrico está concebido exclusivamente para su uso en espacios exteriores, en condiciones secas y de buena iluminación.

El producto está diseñado para uso doméstico. El producto está diseñado para cortar y recortar setos, arbustos y vegetación similar.

No la use para ninguna otra finalidad.

### ADVERTENCIAS GENERALES DE SEGURIDAD DEL PRODUCTO

**⚠ ADVERTENCIA!** Lea todas las instrucciones de advertencias de seguridad, ilustraciones y especificaciones proporcionadas con el producto. El incumplimiento de las instrucciones que se indican a continuación puede ocasionar diversos accidentes como incendios, descargas eléctricas y/o graves heridas corporales.

Conservar estas advertencias e instrucciones para poder consultarlas posteriormente.

El término «herramienta eléctrica» incluido en las advertencias hace referencia a su producto conectado a la red eléctrica (con cable) o a su producto alimentado con batería (inalámbrico).

### ZONA DE TRABAJO

- **Mantenga el área de trabajo limpia y bien iluminada.** Las zonas oscuras o poco despejadas pueden provocar accidentes.
- **No utilice herramientas eléctricas en entornos inflamables, como puede ser en presencia de líquidos inflamables, gases o polvo.** Las herramientas eléctricas crean chispas que pueden inflamar el polvo o el humo.
- **Mantenga a los niños y personas ajenas alejadas de la zona en la que está utilizando la herramienta eléctrica.** Las distracciones pueden hacer que pierda el control de la herramienta.

### SEGURIDAD ELÉCTRICA

- **Las conexiones de la herramienta eléctrica deben corresponder a los de la toma de corriente. No modifique el enchufe de ninguna manera. No utilice ningún adaptador con herramientas eléctricas conectadas a tierra.** Utilizar enchufes sin modificar y tomas correspondientes reducirán el riesgo de descargas eléctricas.
- **Evite el contacto corporal con superficies conectadas a tierra, como tuberías, radiadores, estufas y refrigeradores.** Existe un mayor riesgo de descargas eléctricas si su cuerpo está conectado a tierra.
- **No exponga este producto a la lluvia o humedad.** Si entra agua en una herramienta eléctrica podría aumentar el riesgo de descargas eléctricas.
- **Utilice correctamente el cable. No utilice el cable para llevar, tirar o desconectar el cable de la herramienta.** Mantenga el cable lejos del calor, aceite, bordes afilados o partes móviles. Los cables dañados o enredados aumentan el riesgo de descargas eléctricas.

- **A la hora de utilizar herramientas eléctricas al aire libre, utilice un alargador adecuado para uso en exteriores.** El uso de un cable adecuado para uso en exteriores reduce el riesgo de descargas eléctricas.
- **Si es inevitable utilizar una herramienta eléctrica en un lugar húmedo, utilice un dispositivo de corriente residual (RCD) como protección.** El uso de un RCD reduce el riesgo de descargas eléctricas.

### SEGURIDAD PERSONAL

- **Manténgase alerta y atento a lo que está haciendo y utilice el sentido común al utilizar una herramienta eléctrica. No utilice una herramienta eléctrica cuando esté cansado o bajo la influencia de drogas, alcohol o medicamentos.** En un momento de descuido, mientras utiliza herramientas eléctricas podrían ocurrir lesiones personales graves.
- **Utilice un equipo de protección personal. Utilice siempre dispositivos de protección ocular.** El equipo de protección como las máscaras de polvo, calzado antideslizante de seguridad, cascos rígidos o unas condiciones adecuadas reducirán los daños corporales.
- **Evite la puesta en marcha accidental de la herramienta. Asegúrese de que el interruptor está en posición OFF antes de conectar la herramienta a una toma de corriente y/o batería, y levantar o transportar la herramienta.** El transporte de herramientas con el dedo sobre el interruptor o la conexión de herramientas eléctricas con el interruptor en ON puede causar accidentes.
- **Extraiga cualquier llave de ajuste antes de encender la herramienta eléctrica.** Una llave que se encuentra conectada a una pieza de rotación puede resultar en lesiones personales.
- **No se extienda demasiado. Afírmese bien en sus piernas y no extienda demasiado el brazo.** Esto permite un mejor control de la herramienta eléctrica en situaciones inesperadas.
- **Lleve ropa adecuada. No use ropa holgada o joyas. No acerque el pelo ni la ropa a las piezas móviles.** La ropa suelta, joyas o el cabello largo pueden quedar atrapados en las piezas móviles.
- **Si existen dispositivos para la conexión de accesorios de recogida y extracción de polvo, asegúrese de que están conectados y que se utilizan adecuadamente.** El uso de accesorios de recogida de polvo puede reducir riesgos relacionados con el polvo.
- **Aunque se familiarice con el uso de la herramienta, no se relaje e ignore los principios de seguridad.** Una acción imprudente puede provocar lesiones graves en una fracción de segundo.

### USO Y CUIDADO DE LA HERRAMIENTA ELÉCTRICA

- **No fuerce el producto. Utilice la herramienta correcta para su aplicación.** La herramienta correcta hará un trabajo más seguro y mejor para el que ha sido diseñada.
- **No utilice la herramienta eléctrica si el interruptor de encendido no responde.** Cualquier herramienta que no puede ser controlada con el interruptor de encendido es peligrosa y debe ser reparada.
- **Desconecte el enchufe de la fuente de alimentación y/o quite la batería, si es extraíble, de la herramienta eléctrica antes de realizar ningún ajuste, cambiar los accesorios o guardar las herramientas eléctricas.** Estas medidas preventivas de seguridad reducen el riesgo de arranque accidental de la herramienta.



- **Coloque las herramientas eléctricas a ralentí fuera del alcance de los niños y no permita que personas no familiarizadas con la herramienta o con estas instrucciones la utilicen.** Las herramientas eléctricas son peligrosas en manos de personas no capacitadas.
- **Conserve las herramientas eléctricas y los accesorios. Compruebe la alineación o unión de las piezas móviles, si existe rotura de piezas o cualquier otro problema que pueda afectar al funcionamiento de la herramienta. Si alguna pieza está dañada, la herramienta eléctrica debería repararse antes de volver a utilizarla.** Muchos accidentes son causados por un mantenimiento deficiente.
- **Mantenga las herramientas de corte bien afiladas y limpias.** Las herramientas de corte con bordes de corte afilados que tienen un mantenimiento adecuado reducen su deterioro y son más fáciles de controlar.
- **Utilice la herramienta, accesorios, partes eléctricas, etc., de acuerdo con estas instrucciones, teniendo en cuenta las condiciones de trabajo y el trabajo que se va a realizar.** Utilizar la herramienta eléctrica para realizar trabajos diferentes a los que esta herramienta está destinada podría dar como resultado una situación peligrosa.
- **Mantenga los mangos y las superficies de agarre secos, limpios y libres de aceite o grasa.** Los mangos y superficies de sujeción resbaladizas no le permiten una sujeción y un control seguro de la herramienta en situaciones inesperadas.

#### USO Y CUIDADO DE LA BATERÍA

- **Recargue la unidad solamente con el cargador especificado por el fabricante.** Podría haber un riesgo de incendio cuando se utilice un cargador con una batería para la que no está diseñado.
- **Utilice sólo herramientas eléctricas específicamente diseñadas para ellos.** Utilizar cualquier otro tipo de baterías puede causar lesiones o un riesgo de incendio.
- **Cuando la batería no está en uso, manténgala alejada de otros objetos metálicos como clips, monedas, llaves, clavos, tornillos u otros objetos metálicos pequeños que puedan crear una conexión desde una terminal a otra.** Causar un cortocircuito en los terminales de la batería puede causar quemaduras o un incendio.
- **En condiciones abusivas, podría salir expulsado líquido de la batería, por lo que debería evitar el contacto con éste. Si se produce un contacto accidental, enjuáguese las manos con agua. Si el líquido entra en contacto con los ojos, acuda inmediatamente al médico.** Si el líquido es expulsado de la batería y entra en contacto con él, podría causar irritación o quemaduras.
- **No utilice un paquete de baterías o una herramienta que esté dañado o modificado.** Las baterías dañadas o modificadas pueden presentar un comportamiento impredecible y provocar fuego, explosión o riesgo de lesión.
- **No exponga la batería o la herramienta al fuego o a temperaturas excesivas.** La exposición al fuego o a una temperatura superior a 130 °C puede provocar una explosión.
- **Siga todas las instrucciones de carga y no cargue el paquete de baterías o la herramienta fuera del rango de temperatura especificado en las instrucciones.**

La carga inadecuada o a temperaturas fuera del rango especificado puede dañar la batería e incrementar el riesgo de fuego.

#### MANTENIMIENTO

- **Su herramienta eléctrica debería ser reparada por personas cualificadas, que deberían utilizar únicamente piezas de repuesto idénticas.** Esto garantizará la seguridad a la hora de utilizar la herramienta eléctrica.
- **Nunca arregle baterías dañadas.** Solo el fabricante o proveedores homologados deberían reparar las baterías.

#### ADVERTENCIAS DE SEGURIDAD DEL CORTASETOS HÍBRIDO INALÁMBRICO

- **Mantenga todas las partes de su cuerpo alejadas de la cuchilla. No extraiga material de corte ni sujete el material que va a cortar cuando las cuchillas estén en movimiento.** Las cuchillas siguen girando después de apagar el motor. En un momento de descuido, mientras utiliza el producto podrían ocurrir lesiones personales graves.
- **Transporte el cortasetos agarrándolo por el mango, con la cuchilla parada y procurando no accionar ningún interruptor de encendido.** Un transporte adecuado del cortasetos reducirá el riesgo que se produzca un arranque accidental del equipo y de sufrir lesiones personales provocadas por las cuchillas.
- **Coloque siempre la cubierta de la cuchilla cuando vaya a transportar o almacenar el cortasetos.** Una manipulación adecuada del cortasetos reducirá el riesgo de sufrir lesiones personales producidas por las cuchillas.
- **A la hora de retirar el material atascado o realizar el mantenimiento de la unidad, asegúrese de que todos los interruptores de encendido/apagado estén en la posición de apagado y que la batería se haya retirado o desconectado.** Un accionamiento inesperado del cortasetos mientras se retira material atascado o durante una operación de mantenimiento puede provocar una lesión personal grave.
- **Sujete el cortasetos exclusivamente por las superficies de agarre aisladas, ya que la cuchilla puede entrar en contacto con cables eléctricos ocultos.** Si las cuchillas entran en contacto con un cable bajo tensión, es posible que las piezas metálicas del cortasetos también reciban esta tensión y provoquen una descarga eléctrica al usuario.
- **Mantenga todos los cables de alimentación alejados de la zona de corte.** Los cables de alimentación pueden quedar ocultos en setos y arbustos, y sufrir cortes de forma accidental por la acción de la cuchilla.
- **No utilice el cortasetos si las condiciones meteorológicas son adversas, especialmente si hay riesgo de rayos.** Esto reduce el riesgo de ser alcanzado por un rayo.

#### AVISOS DE SEGURIDAD ADICIONALES

- **No intente cortar tallos o ramas de un grosor superior a 22 mm con el modelo RY18HT45A, o superior a 24 mm con el modelo RY18HT50A, ni tampoco tallos o ramas que sean claramente demasiado grandes para la cuchilla de corte.** Utilice una sierra de mano no motorizada o una sierra escamondadora para podar tallos largos.





- Opere el aparato sujetándolo siempre con firmeza con las dos manos y por los dos mangos.
- Inspeccione la máquina antes de cada uso. Compruebe los cierres sueltos, las fugas de combustible, etc. Asegúrese de que todas las protecciones y mangos están unidos de forma correcta y segura. Sustituya cualquier pieza damnificada antes de su utilización. Compruebe si hay fugas en la batería.
- Compruebe los setos y arbustos en busca de objetos extraños, como vallas de alambre y cables ocultos.
- El producto solo se debe utilizar sobre el suelo y no se puede usar sobre ningún otro soporte inestable.
- No utilice el producto en malas condiciones lumínicas. El operador debe tener una visión clara de la zona de trabajo para identificar peligros potenciales.
- El uso de dispositivos de protección auditiva reducirá su capacidad para oír posibles advertencias (gritos o alarmas). El operador debe prestar atención extra a lo que está sucediendo en el área de trabajo.
- Apague el producto, retire la batería y deje que se ambos se enfríen. Asegúrese de que todas las partes móviles se han detenido por completo:
  - antes de ajustar la posición de trabajo del sistema de corte
  - antes del mantenimiento
  - antes de limpiar una obstrucción
  - antes de inspeccionar, limpiar o trabajar con el producto
  - antes de cambiar los accesorios
  - antes de dejar el producto sin vigilancia
  - antes de comprobar si se ha producido algún daño después de golpear un objeto
  - antes de llevar a cabo el mantenimiento
  - si el producto empieza a vibrar de forma anormal
- No fuerce el producto a través de arbustos densos. Esto puede hacer que las cuchillas se doblen y se ralenticen. Si las cuchillas se ralentizan, reduzca el ritmo de corte.
- Si el aparato se cae, sufre un impacto fuerte o empieza a vibrar de manera anormal, párelo inmediatamente y compruebe si está dañado o identifique el motivo de la vibración. La reparación de daños y la sustitución de piezas deben ser realizadas por un centro de servicio autorizado.
- Utilice el producto únicamente a temperaturas comprendidas entre 0 °C y 40 °C.
- Guarde el producto en un lugar donde la temperatura ambiente esté comprendida entre 0 °C y 40 °C.
- El uso prolongado de una herramienta puede causar o agravar lesiones. Al utilizar cualquier herramienta durante períodos prolongados asegúrese de tomar descansos regulares.
- Cargue la batería en un lugar donde la temperatura ambiente esté comprendida entre 10 °C y 38 °C.
- Guarde la batería en un lugar donde la temperatura ambiente esté comprendida entre 0 °C y 40 °C.
- Utilice la batería en un lugar donde la temperatura ambiente esté comprendida entre 0 °C y 40 °C.

## TRANSPORTE Y ALMACENAMIENTO

- Apague el producto, extraiga la batería y deje que el producto se enfríe antes de almacenarlo o transportarlo.
- Limpie todo el material extraño que pueda permanecer en el producto. Guárdela el producto en un lugar bien ventilado que sea inaccesible para los niños. Para mayor seguridad, almacene la batería y el producto por separado. Almacene el producto lejos de agentes corrosivos como sales de deshielo y productos químicos de jardín. No guarde el producto a la intemperie.
- Coloque el protector de la cuchilla antes de almacenar el producto o durante su transporte.
- Para transportar el producto, sujételo de modo que no se mueva ni se caiga para evitar lesiones personales o daños al producto.

## TRANSPORTE DE BATERÍAS DE LITO

Transporte de baterías de acuerdo con las disposiciones y reglamentos nacionales y locales.

Cumpla todos los requisitos especiales relativos al embalaje y etiquetado cuando el transporte de baterías se lleve a cabo por un tercero. Asegúrese de que, durante el transporte, las baterías no entran en contacto con otras baterías o materiales conductores protegiendo los conectores expuestos con tapones o tapas aislantes de material no conductor. No transporte baterías que tengan grietas o fugas. Consulte a la empresa de transporte para obtener más asesoramiento.

## MANTENIMIENTO

- Utilice sólo piezas y accesorios de recambio originales del fabricante. Si no lo hace podría ocurrir un mal funcionamiento, podrían producirse daños o podría quedar anulada la garantía.
- Las reparaciones requieren tener mucho cuidado y conocimiento y sólo debe realizarse por un técnico de servicio calificado. Solicite la reparación del producto únicamente en un centro de servicio autorizado.
- Las cuchillas son muy afiladas. Para evitar lesiones físicas, tenga mucho cuidado al limpiar, lubricar y montar o desmontar el protector de la cuchilla.
- Extraiga la batería antes de realizar los ajustes, el mantenimiento o la limpieza del producto.
- Usted puede realizar los ajustes y reparaciones descritos en este manual del usuario. Para cualquier otra reparación del producto, solicite su realización únicamente a un centro de servicio autorizado.
- Después de cada uso, limpie las piezas de plástico con un paño suave y seco.
- Después de cada uso, limpie los restos de las láminas con un cepillo duro y, a continuación, aplique cuidadosamente un lubricante que prevenga el óxido antes de volver a colocar el protector de la lámina. El fabricante recomienda usar un pulverizador lubricante y preventivo del óxido, aplicándolo de forma uniforme

EN

FR

DE

ES

IT

NL

PT

DA

SV

FI

NO

RU

PL

CS

HU

RO

LV

LT

ET

HR

SL

SK

BG

UK

TR

## ADVERTENCIAS DE SEGURIDAD DE LA BATERÍA ADICIONAL

- Para reducir el riesgo de incendio, lesión personales y daños al producto debido a un cortocircuito, no sumerja nunca la herramienta, el paquete de baterías o el cargador en líquido ni permita que fluya un fluido dentro de ellos. Los fluidos corrosivos o conductivos, como el agua de mar, ciertos productos químicos industriales y blanqueadores o lejías que contienen, etc., Pueden causar un cortocircuito.

y reducir así el riesgo de lesiones debido al contacto con las cuchillas. Para más información sobre el producto pulverizador apropiado, consulte a su centro de asistencia autorizado local.

- Verifique a intervalos frecuentes si todas las tuercas, pernos y tornillos están apretados apropiadamente para asegurarse de que el producto esté en buenas condiciones de trabajo. Cualquier pieza dañada debe ser sustituida o reparada adecuadamente por un centro de servicio autorizado.

## CONOZCA SU PRODUCTO

Véase la página 106.

1. Protección de la cuchilla
2. Gatillo delantero
3. Mango delantero
4. Mango trasero
5. Gatillo
6. Hoja
7. Barredora de escombros HEDGESWEEP
8. Cubierta de la cuchilla
9. Manual de instrucciones
10. Batería
11. Cargador

## SÍMBOLOS EN EL PRODUCTO



Advertencia



Lea y entienda todas las instrucciones antes de utilizar el producto. Siga todas las advertencias e instrucciones de seguridad.



Marca de conformidad europea



Marca de conformidad británica



Certificado EAC de conformidad



Marca de conformidad de Ucrania



Los productos eléctricos de desperdicio no deben desecharse con desperdicios caseros. Por favor reciclelos donde existan dichas instalaciones. Compruebe con su autoridad local o minorista para reciclar.



Utilice protección ocular



Use protección auditiva



No la exponga a la lluvia o a lugares húmedos.



Utilice guantes protectoras antideslizantes resistentes.



Sujete siempre el cortasetos con ambas manos cuando lo esté utilizando.



Para evitar lesiones graves, no toque las cuchillas.



Nivel de potencia acústica garantizado (RY18HT50A)



Nivel de potencia acústica garantizado (RY18HT45A)



Tenga cuidado con los objetos volátiles o lanzados. Mantenga a todos los transeúntes, especialmente niños y mascotas, a una distancia mínima de 15 m de la zona de trabajo.



Quite las baterías antes de empezar ningún trabajo con el producto.

## SÍMBOLOS EN ESTE MANUAL



Advertencia



Nota

E' stata data massima priorità a sicurezza, prestazioni e affidabilità nel design di questo bordatore senza cavo.

### UTILIZZO RACCOMANDATO

Il potasiepi senza fili è destinato al solo utilizzo all'aperto, in condizioni asciutte e di buona illuminazione.

Prodotto disegnato per utilizzo privato o domestico. Il prodotto è pensato per tagliare e potare siepi, cespugli e vegetazione simile.

Non utilizzare per altri scopi.

### AVVISI DI SICUREZZA GENERALI PER IL PRODOTTO

**⚠ AVVERTENZA! Leggere tutte le istruzioni e avvertenze di sicurezza, le illustrazioni e le specifiche fornite con questo prodotto.** La mancata osservanza delle istruzioni riportate di seguito potrebbe provocare incidenti quali incendi, scosse elettriche e/o gravi lesioni fisiche.

**Conservare le presenti avvertenze ed istruzioni per poterle consultare in seguito.**

Il termine "elettroutensile" nelle avvertenze si riferisce al prodotto alimentato con un cavo o al prodotto alimentato con una batteria (senza fili).

### AMBIENTE DI LAVORO

- **Mantenere l'area di lavoro pulita e ben illuminata.** Aree di lavoro disordinate o non illuminate adeguatamente potranno causare incidenti.
- **Non mettere in funzione gli elettroutensili in atmosfere esplosive, come in presenza di liquidi infiammabili, gas o polvere.** Gli elettroutensili creano scintille che possono causare incendi a contatto con polveri e fumi.
- **Tenere bambini ed eventuali osservatori lontani mentre si mette in funzione l'elettroutensile.** Eventuali distrazioni potranno causare una perdita di controllo.

### SICUREZZA ELETTRICA

- **La spina dell'elettroutensile deve corrispondere alla presa. Non modificare la spina in alcun modo. Non utilizzare spine adattatrici con elettroutensili con messa a terra (presa di terra).** Spine non modificate e prese corrispondenti ridurranno il rischio di scosse elettriche.
- **Evitare il contatto del corpo con superfici con messa a terra come tubi, radiatori, piani cottura e refrigeratori.** Rischio aumentato di scosse elettriche se il corpo viene collegato con messa a terra.
- **Non esporre il prodotto a pioggia o umidità.** Nel caso in cui dell'acqua entrerà nell'elettroutensile il rischio di scosse elettriche aumenterà.
- **Non sottoporre a sforzi il cavo dell'alimentazione. Non trasportare né tirare o scollegare l'elettroutensile dal cavo. Tenere il cavo lontano da calore, olio, angoli appuntiti o parti in movimento.** Cavi danneggiati o intrecciati potranno far aumentare il rischio di scosse elettriche.
- **Quando si mette in funzione un elettroutensile all'esterno, utilizzare una prolunga adatta all'esterno.** Utilizzare un cavo adatto agli esterni per ridurre il rischio di scosse elettriche.

- **Nel caso in cui non si possa fare a meno di mettere in funzione un elettroutensile in un luogo umido, utilizzare un dispositivo di corrente residua (RCD).** Utilizzare un RCD ridurrà il rischio di scosse elettriche.

### SICUREZZA PERSONALE

- **Mantenere sempre l'attenzione e utilizzare buon senso quando si utilizza un elettroutensile. Non utilizzare un elettroutensile se stanchi o sotto l'influenza di droghe, alcool o farmaci.** Un momento di disattenzione durante le operazioni potrà risultare in gravi lesioni personali.
- **Utilizzare equipaggiamento di protezione personale. Indossare sempre occhiali di protezione.** Utilizzare sempre equipaggiamento di protezione come maschere per la polvere, calzature antiscivolo, caschi o cuffie di protezione per ridurre rischi di lesioni alla persona.
- **Prevenire l'avvio accidentale. Assicurarsi che l'interruttore sia sulla posizione off (spento) prima di collegare l'utensile all'alimentazione e/o al gruppo batterie, o prima di affere e trasportare l'utensile.** Trasportare elettroutensili tenendo un dito sull'interruttore o con l'elettroutensile acceso potrà causare incidenti.
- **Rimuovere eventuali chiavi o dispositivi di regolazione prima di accendere l'elettroutensile.** Una chiave o un dispositivo di blocco collegato a una parte rotante dell'utensile potrà risultare in gravi lesioni personali.
- **Non protendersi. Rimanere bene in equilibrio sulle gambe e non distendere troppo lontano le braccia.** Ciò permetterà un miglior controllo dell'elettroutensile in situazioni inaspettate.
- **Indossare un abbigliamento adatto. Non utilizzare abiti con parti svolazzanti o gioielli. Tenere capelli e abiti a distanza dalle parti mobili.** Abiti con parti svolazzanti, gioielli o capelli lunghi potranno rimanere impigliati nelle parti in movimento.
- **Nel caso in cui vengano forniti dispositivi per l'estrazione e la raccolta della polvere, assicurarsi che gli stessi siano collegati e utilizzati correttamente.** Utilizzare il sacchetto di raccolta della polvere può ridurre rischi collegati alla polvere.
- **Non consentire che la familiarità conseguita con l'uso frequente degli utensili faccia diventare disinvolti al punto di ignorare i principi di sicurezza.** Eventuali disattenzioni potranno causare gravi lesioni in una frazione di un secondo.

### UTILIZZO E MANUTENZIONE ELETTROUTENSILI

- **Non forzare il prodotto. Utilizzare l'elettroutensile corretto per il proprio lavoro.** L'elettroutensile corretto svolgerà in maniera migliore e più sicura il lavoro per il quale è stato progettato.
- **Non utilizzare l'elettroutensile se l'interruttore non si accende e spegne.** Un elettroutensile che non può essere controllato dall'interruttore è pericoloso e deve essere riparato.
- **Prima di regolare, sostituirne gli accessori o riporre gli utensili elettrici, scollegare la spina dalla presa elettrica e/o rimuovere il gruppo batteria, se rimovibile.** Queste misure di sicurezza preventive ridurranno il rischio di avvio dell'elettroutensile.

- **Riporre elettrotensili lontano dalla portata dei bambini e non permettere a persone che non conoscano il funzionamento dell'elettrotensile o queste istruzioni di metterlo in funzione.** Gli elettrotensili possono essere pericolosi se utilizzati da personale non preparato.
- **Manutenere gli utensili elettrici e i loro accessori. Controllare l'eventuale allineamento scorretto o blocco delle parti in movimento, la rottura di parti e qualsiasi altra condizione che potrà influenzare il funzionamento dell'elettrotensile. In caso di danni far riparare l'elettrotensile prima di utilizzarlo.** Elettrotensili sui quali non sono state svolte le dovute operazioni di manutenzione possono essere causa di incidenti.
- **Mantenere tutti gli utensili affilati e appuntiti.** Utensili per operazioni di taglio con parti taglienti sui quali sono state svolte le corrette operazioni di manutenzione non si bloccheranno e saranno più facili da controllare.
- **Utilizzare l'elettrotensile, i suoi accessori, le punte ecc. assieme a queste istruzioni tenendo conto delle condizioni di lavoro e del lavoro da svolgere.** Utilizzare l'elettrotensile per operazioni diverse da quelle indicate potrà causare situazioni pericolose.
- **tenere manici e superfici da ancoraggio asciutte, pulite, e libere da olio e grasso.** Impugnature o manici scivolosi non permetteranno di controllare e gestire in maniera sicura l'utensile in situazioni inaspettate.

#### USO E MANUTENZIONE DELLA BATTERIA

- **Ricaricare solo con il caricatore indicato dalla ditta produttrice.** Un caricatore adatto per un tipo di batterie potrà creare un rischio di incendio se utilizzato con un altro gruppo batterie.
- **Utilizzare elettrotensili solo con i gruppi batteria indicati.** L'utilizzo di gruppi batteria diversi da quelli indicati potrà causare rischi di lesioni e incendi.
- **Quando il gruppo batterie non viene utilizzato, tenerlo lontano da oggetti in metallo come fermagli, monete, chiavi, chiodi, viti o altri piccoli oggetti che potranno fare da tramite da un terminale all'altro.** Cortocircuitare i terminali della batteria assieme potrà causare scottature o incendi.
- **Se sottoposto a stress, la batteria potrà perdere dei liquidi; evitare il contatto. Se si entra accidentalmente in contatto con tali liquidi, lavarsi immediatamente con acqua. Se il liquido entra negli occhi, rivolgersi a un medico.** Il liquido espulso dalla batteria potrà causare irritazioni o scottature.
- **Non utilizzare batterie o strumenti danneggiati o alterati.** Le batterie danneggiate o alterate potrebbero avere un comportamento imprevedibile e causare incendi, esplosioni o rischio di lesioni.
- **Non esporre la batteria o l'utensile a fiamme libere o a temperature eccessive.** L'esposizione a fiamme libere o a temperature superiori a 130°C può causare esplosioni.
- **Seguire tutte le istruzioni per la ricarica e non ricaricare le batterie o gli utensili all'infuori dell'intervallo di temperature specificato nelle istruzioni.** Eseguire la ricarica in modo improprio o all'infuori dell'intervallo specificato potrebbe danneggiare la batteria e aumentare il rischio d'incendio.

#### MANUTENZIONE

- **Far svolgere la manutenzione da personale qualificato utilizzando solo parti di ricambio identiche.** Ciò permette di mantenere la sicurezza dell'elettrotensile.
- **Non riparare mai le batterie danneggiate.** La riparazione delle batterie dev'essere eseguita solo dal fabbricante o da fornitori di assistenza autorizzati.

#### AVVERTENZE DI SICUREZZA PER IL POTASIEPI A BATTERIA

- **Tenere tutte le parti del corpo lontano dalla lama. Non rimuovere materiale tagliato o materiale da tagliare che si sta reggendo con le mani mentre le lame sono in movimento.** Le lame continuano a ruotare dopo che il motore si è spento. Un momento di disattenzione mentre si mette in funzione il prodotto potrà causare gravi lesioni personali.
- **Trasportare il potasiepi con una lama bloccata, prestando attenzione a non attivare l'interruttore di alimentazione.** Un corretto trasporto del potasiepi ridurrà il rischio di avvi improvvisi e di conseguenti lesioni personali causate dalle lame.
- **Per il trasporto o la conservazione del potasiepi, montare il coperchio della lama.** Una corretta gestione del potasiepi ridurrà il rischio di lesioni personali causate dalle lame.
- **Quando si rimuove il materiale inceppato o si effettua la manutenzione dell'unità, assicurarsi che tutti gli interruttori di alimentazione siano spenti e il pacco batteria sia rimosso o scollegato.** Un azionamento imprevisto del potasiepi durante la rimozione del materiale inceppato o la manutenzione potrebbe causare gravi lesioni personali.
- **Tenere il potasiepi solo tramite la superficie antiscivolo isolata, perché questa potrebbe entrare in contatto con dei fili elettrici nascosti.** Il contatto delle lame può mettere sotto tensione a loro volta le parti metalliche dell'elettrotensile, con conseguente scossa elettrica per l'operatore.
- **Tenere tutti i cavi di corrente lontano dall'area di taglio.** I cavi di corrente possono essere nascosti nelle siepi e nei cespugli e possono essere accidentalmente essere tagliati dalla lama.
- **Non utilizzare il potaspiepi con avverse condizioni meteo, specialmente in caso di fulmini.** Questo riduce il rischio di essere colpiti dai fulmini.

#### ULTERIORI AVVERTENZE DI SICUREZZA

- **Non provare a tagliare gli steli o i rametti che hanno uno spessore di grandezza superiore a 22 mm per RY18HT45A o uno spessore di 24 mm per RY18HT50A o sono ovviamente troppo grandi per alimentare la lama di taglio.** Utilizzare una sega non operata elettricamente o una sega per potatura per tagliare rami grandi.
- **Mentre si mette in funzione il prodotto, reggerlo sempre con entrambe le mani dai due manici.**
- **Controllare l'utensile prima di ogni utilizzo.** Controllare eventuali parti di collegamento allentate, perdite di carburante, ecc. Assicurarsi che paralame e manici siano montati accuratamente e correttamente. Sostituire le parti danneggiate prima dell'utilizzo. Controllare che il gruppo batterie non perda.

- Controllare che nelle siepi e i cespugli non ci siano oggetti estranei, come recinzioni e cavi nascosti.
- Il prodotto deve essere utilizzato solo su terreno e non toccare altri supporti instabili.
- Non utilizzare l'utensile in condizioni di scarsa illuminazione. L'area di lavoro deve essere pulita per essere in grado di individuare potenziali rischi.
- L'utilizzo di dispositivi di protezione ridurrà la capacità di ascoltare eventuali segnali d'allarme (grida o avvertimenti). L'operatore dovrà prestare attenzione a ciò che accade nella zona di lavoro.
- Spegner il prodotto, rimuovere la batteria e lasciare che si raffreddi. Assicurarsi che tutte le parti in movimento si siano arrestate:
  - prima di regolare la posizione di lavoro degli utensili di taglio
  - prima degli interventi di assistenza
  - prima di rimuovere un blocco
  - prima di svolgere le operazioni di controllo o pulizia sul prodotto o prima di utilizzarlo
  - prima di cambiare accessori
  - prima di lasciare il prodotto incustodito
  - prima di verificare la presenza di danni dopo aver colpito un oggetto
  - prima di eseguire la manutenzione
  - se il prodotto inizia a vibrare in maniera anormale
- Non forzare cespugli pesanti nel prodotto. Ciò potrà causare alle lame di rimanere inceppate e di rallentare. Se le lame rallentano, ridurre il passo.
- Se il prodotto cade, subisce impatti pesanti o inizia a vibrare in maniera anomala, arrestarlo e controllare eventuali danni per identificare la causa delle vibrazioni. Riparare eventuali danni o far sostituire i pezzi da un centro servizi autorizzato.
- Azionare il prodotto solo con temperature tra 0°C e 40°C.
- Conservare il prodotto in una posizione in cui la temperatura ambiente è compresa tra 0°C e 40°C.
- Il prolungato utilizzo dell'utensile potrà causare o aggravare lesioni. Quando si utilizza questo utensile per periodi di tempo prolungati, assicurarsi di fare sempre delle pause regolari.

#### AVVERTENZE AGGIUNTIVE PER LA SICUREZZA DELLA BATTERIA

- Per ridurre il rischio d'incendio, di lesioni o di danni al prodotto causati da corto circuito, non immergere mai l'utensile, la batteria ricaricabile o il carica batterie in un liquido e non lasciare mai penetrare alcun liquido all'interno dei dispositivi e delle batterie. I fluidi corrosivi o conduttori come acqua salata, alcuni agenti chimici, agenti candeggianti o prodotti contenenti agenti candeggianti potrebbero provocare un corto circuito.
- Caricare il pacco batteria in una posizione in cui la temperatura ambiente è compresa tra 10°C e 38°C.
- Conservare il pacco batteria in una posizione in cui la temperatura ambiente è compresa tra 0°C e 40°C.
- Utilizzare il pacco batteria in una posizione in cui la temperatura ambiente è compresa tra 0°C e 40°C.

#### TRASPORTO E RIPONIMENTO

- Spegner il prodotto, rimuovere il pacco batteria e lasciare che si raffreddi prima di conservarlo o trasportarlo.
- Rimuovere eventuali materiali di scarto dal prodotto. Riporre il prodotto in un luogo ben ventilato non accessibile a bambini. Per ulteriore sicurezza, riporre la batteria separatamente dal prodotto. Tenere il prodotto lontano da agenti corrosivi come agenti chimici da giardino e sali scongianti. Non conservare il prodotto all'aperto.
- Montare il proteggilama prima di conservare il prodotto o durante il trasporto.
- Per il trasporto, assicurare il prodotto contro ogni movimento o contro eventuali cadute per evitare lesioni a persone o danni al prodotto.

#### TRASPORTO BATTERIE AL LITIO

Trasportare le batterie rispettando quanto indicato dalle norme e regolamentazioni locali.

Far rispettare quanto indicato sulle etichette e sull'involucro quando la batteria viene trasportata da terzi. Assicurarsi che le batterie non entrino in contatto con altre batterie o con materiali conduttivi mentre si trasportano proteggendo connettori esposti con tappi o nastro isolante e non conduttivo. Non trasportare batterie rotte o che perdono liquidi. Consultare la ditta produttrice per eventuali ulteriori consigli.

#### MANUTENZIONE

- Utilizzare solo parti di ricambio, accessori e dispositivi originali della ditta produttrice. In caso contrario si potranno causare lesioni, prestazioni basse e la garanzia verrà invalidata.
- Le operazioni di manutenzione devono essere svolte con grande attenzione e accortezza solo da un tecnico qualificato. Far riparare il prodotto esclusivamente da un centro assistenza autorizzato.
- Le lame di taglio sono estremamente affilate. Per evitare lesioni alla persona, fare estrema attenzione durante le operazioni di pulizia, lubrificazione e regolazione o quando si rimuove il dispositivo di protezione delle lame.
- Rimuovere il pacco batteria prima di effettuare regolazione, manutenzione e pulizia del prodotto.
- L'operatore potrà fare le regolazioni e riparazioni descritte nel presente manuale. Per altre riparazioni, portare il prodotto esclusivamente presso un centro assistenza autorizzato.
- Dopo ogni uso, pulire i pezzi di plastica con un panno morbido e asciutto.
- Dopo ogni utilizzo, rimuovere gli scarti dalle lame con una spazzola rigida, e quindi applicare attentamente un lubrificante per prevenire la ruggine prima di reinstallare il proteggi lame. La ditta produttrice raccomanda di utilizzare uno spray lubrificante e preventivo della ruggine da applicare in maniera equa e ridurre il rischio di lesioni personali dal contatto con le lame. Per informazioni su un prodotto spray adatto, controllare con il proprio centro servizi autorizzato.
- Controllare frequentemente dadi, bulloni e viti, verificando che siano stati assicurati correttamente per fare in modo che il prodotto garantisca condizioni di lavoro ottimali. Riparare eventuali parti danneggiate o farle sostituire da un centro servizi autorizzato.

## FAMILIARIZZARE CON IL PRODOTTO

Vedere pagina 106.

1. Paralame
2. Grilletto anteriore
3. Manico anteriore
4. Manico posteriore
5. Grilletto
6. Lama
7. Aspiratore di detriti HEDGESWEEP
8. Coperchio lama
9. Manuale dell'operatore
10. Batteria
11. Caricatore

## SIMBOLI SUL PRODOTTO



Avvertenza



Prima di utilizzare il prodotto leggere e comprendere tutte le istruzioni. Osservare tutte le avvertenze e le istruzioni di sicurezza.



Marchio di conformità europeo



Marchio di conformità britannico



Marchio di conformità EurAsian



Marchio di conformità ucraino



I prodotti elettrici non devono essere smaltiti con i rifiuti domestici. Vi sono strutture per smaltire tali prodotti. Informarsi presso il proprio Comune o rivenditore di sicurezza per smaltire adeguatamente tali rifiuti.



Indossare dispositivi di protezione occhi



Indossare cuffie di protezione



Non esporre a pioggia o umidità.



Indossare guanti di protezione resistenti e anti-scivolo.



Reggere sempre il decespugliatore con entrambe le mani durante le operazioni.



Per prevenire gravi lesioni, non toccare le lame di taglio.



Livello di potenza acustica garantito (RY18HT50A)



Livello di potenza acustica garantito (RY18HT45A)



Fare attenzione ad oggetti scagliati o lanciati dall'utensile. Tenere tutti i presenti, in particolare bambini e animali domestici, ad almeno 15 m dall'area operativa.



Rimuovere la batteria prima di iniziare qualsiasi lavoro sul prodotto.

## SIMBOLI NEL PRESENTE MANUALE



Avvertenze



Note



Veiligheid, prestaties en betrouwbaarheid kregen topprioriteit in het ontwerp van uw snoerloze heggenschaar.

## VOORGESCHREVEN GEBRUIK

De snoerloze heggenschaar is uitsluitend bedoeld voor gebruik buitenshuis onder droge en goed verlichte omstandigheden.

Het product is geschikt voor huishoudelijk gebruik. Het apparaat is ontworpen voor het knippen en trimmen van hekken, struiken en soortgelijke vegetatie.

Gebruik niet voor andere doeleinden.

## ALGEMENE PRODUCTVEILIGHEIDSWAARSCHUWINGEN

**⚠ WAARSCHUWING! Lees alle veiligheidsinstructies, illustraties en specificaties die met dit product worden meegeleverd.** Het niet in acht nemen van de hierna vermelde voorschriften kan ongelukken, zoals brand, elektrische schokken en/of ernstig lichamelijk letsel veroorzaken.

**Bewaar deze waarschuwingen en voorschriften zorgvuldig om ze ook later te kunnen inzien.**

De term "power tool" in de waarschuwingen heeft betrekking op uw elektrisch gereedschap dat ofwel wordt aangedreven door een stroomvoorziening (via een kabel), of werkt op een accu (snoerloos).

### WERKOMGEVING

- **Houd de werkplek schoon en goed verlicht.** Vervuilde of donkere plekken nodigen uit tot ongevallen.
- **Gebruik elektrische werktuigen niet in explosieve omgevingen, zoals in de aanwezigheid van ontvlambare vloeistoffen, gassen of stof.** Elektrisch gereedschap kan vonken veroorzaken die het stof of de gassen kunnen ontsteken.
- **Houd kinderen en omstanders weg terwijl u elektrisch gereedschap gebruikt.** Wanneer u wordt afgeleid, kunt u de controle verliezen.

### ELEKTRISCHE VEILIGHEID

- **Stekkers van elektrisch gereedschap moeten overeenkomen met de contactdoos. Wijzig de stekker nooit. Gebruik geen adapters met geaarde elektrische werktuigen.** Niet-gewijzigde stekkers en overeenkomstige contactdozen zullen het risico op elektrische schok verminderen.
- **Vermijd lichaamscontact met een geaard oppervlak, zoals buizen, radiatoren, kookfornuizen en koelkasten.** Er bestaat een verhoogd risico voor elektrische schokken als uw lichaam is geaard.
- **Stel het product niet bloot aan regen of natte omstandigheden.** Water dat een elektrisch werktuig binnendringt, verhoogt het risico op elektrische schokken.
- **Misbruik het snoer niet. Gebruik het snoer nooit om het elektrisch werktuig te dragen, eraan te trekken of het uit de contactdoos te trekken. Houd het snoer weg van hitte, olie, scherpe randen of bewegende onderdelen.** Beschadigde of verstrikte snoeren verhogen het risico op elektrische schokken.
- **Gebruik een verlengsnoer geschikt voor buitenshuis gebruik wanneer u een elektrisch werktuig**

**buitenshuis gebruik.** Het gebruik van een snoer dat geschikt is voor buitenshuis gebruik, vermindert het risico op elektrische schokken.

- **Als het gebruik van een elektrisch werktuig op een vochtige plaats onvermijdelijk is, gebruikt u een contactdoos die beschermd is door een aardlekschakelaar.** Het gebruik van een aardlekschakelaar vermindert het risico op elektrische schokken.

### PERSOONLIJKE VEILIGHEID

- **Blijf alert, kijk naar wat u doet en gebruik uw gezond verstand wanneer u elektrisch gereedschap gebruikt. Gebruik een elektrisch werktuig niet wanneer u moe of onder de invloed van drugs, alcohol of medicijnen bent.** Een ogenblik van onoplettendheid terwijl u elektrisch gereedschap gebruikt, kan leiden tot ernstige verwondingen.
- **Gebruik een persoonlijke beschermuitrusting. Draag altijd gehoorbescherming.** Beschermonderdelen, zoals een stofmasker, antislipschoeisel, helm of gehoorbescherming dat op een geschikte manier wordt gebruikt, zal het risico op verwondingen verlagen.
- **Ongewenst starten voorkomen. Zorg ervoor dat de schakelaar zich in de uit-stand bevindt voor u de machine met een stroombron en/of accupack verbindt, de machine opheft of draagt.** Wanneer u elektrisch gereedschap draagt met de vinger op de schakelaar of wanneer het gereedschap met de stroombron is verbonden, kan dit leiden tot ongevallen.
- **Verwijder alle afstelsleutels voor u het elektrisch werktuig inschakelt.** Een sleutel die op een draaiend onderdeel van het elektrisch gereedschap werd achtergelaten, kan leiden tot verwondingen.
- **Overrek u niet. Ga altijd stevig op uw benen staan en reik niet te ver weg met uw arm.** Dit maakt een betere controle van het werktuig in onverwachte omstandigheden mogelijk.
- **Draag geen wijde kleding, dassen of sieraden die klem kunnen raken en u naar de bewegende delen toe kunnen trekken. Draag geen losse kledij of juwelen. Houd uw haar en kleding uit de buurt van bewegende delen.** Losse kledij, juwelen of lang haar kan in bewegende onderdelen verstrikt raken.
- **Als er apparaten worden geleverd voor de verbinding met een stofextractie en verzamelfaciliteiten, zorgt u ervoor dat deze zijn verbonden en goed worden gebruikt.** Het gebruik van een stofverzamelaar vermindert stof-gerelateerde gevaren.
- **Voorkom dat u door het frequent gebruik van gereedschappen laks wordt en de veiligheidsvoorschriften uit het oog verliest.** Een onzorgvuldige handeling kan binnen enkele seconden leiden tot ernstige verwondingen

### GEBRUIK VAN EN ZORG VOOR UW ELEKTRISCH GEREEDSCHAP

- **Forceer het product niet. Gebruik het correcte werktuig voor uw toepassing.** Het juiste werktuig zal de taak beter en veiliger uitvoeren aan het tempo waarvoor het werd ontworpen.
- **Gebruik het elektrisch werktuig niet als de schakelaar het niet kan in- of uitschakelen.** Een elektrisch werktuig dat niet met behulp van de schakelaar kan worden bediend, is gevaarlijk en moet worden gerepareerd.





- **Trek de stekker uit de contactdoos en/of ontkoppel het accupack van het werktuig voor u de machine afstelt, accessoires vervangt of het werktuig opbergt.** Zulke preventieve veiligheidsmaatregelen kunnen het risico op ongewenst starten van de machine verminderen.
- **Bewaar ongebruikt elektrisch gereedschap buiten het bereik van kinderen en niet-opgeleide personen die het gereedschap of deze gebruiksaanwijzingen niet kennen.** Elektrisch gereedschap is gevaarlijk in de handen van niet-opgeleide gebruikers.
- **Elektrisch gereedschap en accessoires moeten worden onderhouden.** Controleer op verkeerde aflijning of verstrikt raken van bewegende delen, defecten van onderdelen en alle andere situaties die de werking van het werktuig kunnen beïnvloeden. Indien beschadigd, laat u het elektrisch gereedschap repareren voor gebruik. Veel ongevallen worden veroorzaakt door slecht onderhouden elektrische werktuigen.
- **Houd de zaagwerktuigen scherp en schoon.** Correct onderhouden zaagwerktuigen met scherpe randen zijn minder geneigd om verstrikt te raken en kunnen makkelijker worden bestuurd.
- **Gebruik het werktuig, de accessoires en werktuigonderdelen, etc. in overeenstemming met deze instructies en houd rekening met de bedrijfsomstandigheden en het uit te voeren werk.** Het gebruik van een elektrisch werktuig voor zaken die niet in het voorgeschreven gebruik zijn beschreven, kan leiden tot gevaarlijke situaties.
- **Houd handvatten en grepen droog, schoon en vrij van olie en vet.** Gladde handvatten en grepen laten u niet toe om de machine veilig te bedienen en in onverwachte situaties te controleren?.

#### GEbruik EN VERZORGING VAN DE ACCU

- **Herlaad enkel met de oplader die door de fabrikant is gespecificeerd.** Een oplader die voor een type accupack is geschikt kan een brandgevaar betekenen wanneer het met een ander accupack wordt gebruikt.
- **Gebruik elektrisch gereedschap uitsluitend met de specifiek toegewezen accupacks.** Het gebruik van andere accupacks kan leiden tot risico's op letsels en brand.
- **Wanneer het accupack niet wordt gebruikt, moet u het weg houden van andere metalen objecten, zoals papierclips, munten, sleutels, spijkers, schroeven of andere kleine metalen voorwerpen die een verbinding kan maken van een terminal naar een andere.** De batterijterminals kortsluiten kan leiden tot brandwonden of brand.
- **In oneigenlijke omstandigheden, kan een vloeistof uit de accu lekken; vermijd contact hiermee. Als per ongeluk contact voorkomt, spoelt u met water.** Als de vloeistof in contact komt met de ogen, dient u bijkomend medische hulp te raadplegen. Vloeistof die uit de accu lekt, kan irritatie of brandwonden veroorzaken.
- **Gebruik geen beschadigde of gewijzigde accu of gereedschap.** Beschadigde of gewijzigde accu's kunnen onvoorspelbaar gedrag vertonen en leiden tot brand, explosies, of het risico op letsel.
- **Stel accu's of gereedschap niet bloot aan vuur of hoge temperaturen.** Blootstelling aan vuur of temperaturen hoger dan 130 °C kan explosies veroorzaken.
- **Volg alle instructies en laad de accu of het gereedschap niet op buiten het temperatuurbereik dat in de handleiding wordt aangegeven.** Onjuist opladen of opladen bij temperaturen buiten het aangegeven bereik kan schade aan de accu veroorzaken en risico op brand verhogen.

#### ONDERHOUD

- **Laat uw elektrisch gereedschap onderhouden door een gekwalificeerd onderhoudspersoon en gebruik hierbij uitsluitend identieke vervangonderdelen.** Dit zal ervoor zorgen dat de veiligheid van het werktuig wordt behouden.
- **Beschadigde accu's mogen niet worden onderhouden.** Onderhoud van accu's mag uitsluitend worden uitgevoerd door de fabrikant of erkende dienstverleners.

#### VEILIGHEIDSWAARSCHUWINGEN VOOR SNOERLOZE HEGGENSCHAAR

- **Houd alle lichaamsdelen uit de buurt van het snijblad. Verwijder geen gesnoeid materiaal of houd geen materiaal dat moet worden gesnoeid vast wanneer de snijbladen bewegen.** Nadat de motor is uitgeschakeld blijven de messen nog even draaien. Een ogenblik van onoplettendheid tijdens het gebruik van het product kan leiden tot ernstige persoonlijke letsels.
- **Draag de heggenschaar bij de handgreep met stilstaande snijbladen en zorg ervoor dat u niet onbedoeld een stroomschakelaar bedient.** Door de heggenschaar op de juiste manier te dragen wordt het risico op onbedoeld starten en het daaruit voortvloeiende persoonlijk letsel door de snijbladen gereduceerd.
- **Bij het transporteren of opbergen van de heggenschaar moet altijd de snijbladbescherming worden aangebracht.** Een juiste omgang met de heggenschaar vermindert het risico op persoonlijk letsel door de snijbladen.
- **Bij het verwijderen van vastgelopen materiaal of tijdens onderhoud aan het apparaat moeten alle stroomschakelaars zijn uitgeschakeld en de accu verwijderd of losgekoppeld.** Onverwacht inschakelen van de heggenschaar bij het verwijderen van vastgelopen materiaal of onderhoud kan leiden tot ernstig persoonlijk letsel.
- **Houd de heggenschaar uitsluitend vast aan de geïsoleerde grepen, aangezien het snijblad in contact kan komen met de verborgen bedrading.** Bladen die in contact komen met een "stroomdraad" kunnen blootliggende metalen delen van de heggenschaar "onder stroom" zetten en de gebruiker een elektrische schok geven.
- **Houd alle netsnoeren en kabels uit de buurt van de snijzone.** Netsnoeren of kabels kunnen verborgen zijn in heggen of struiken en kunnen per ongeluk door het snijblad worden afgesneden.
- **Gebruik de heggenschaar niet bij slecht weer, vooral niet als er kans is op blikseminslag.** Dit vermindert de kans te worden verrast.





**BIJKOMENDE VEILIGHEIDSWAARSCHUWINGEN**

- Probeer met de RY18HT45A geen stengels of twijgen te knippen die groter zijn dan 22 mm, dan wel met de RY18HT50A niet groter dan 24 mm, aangezien deze duidelijk te groot zijn om in het snijblad in te voeren. Gebruik een handzaag of snoeizaag om grote stammen te snoeien.
- Tijdens het gebruik dient u dit product altijd met beide handen stevig aan de twee handgrepen vast te houden.
- Controleer de machine voor elk gebruik. Controleer op losse bevestigingsonderdelen, brandstoflekkage, enz. Zorg ervoor dat alle beschermers en handvatten goed en veilig zijn vastgemaakt. Vervang alle beschadigde onderdelen voor gebruik. Controleer het accupack op lekken.
- Controleer de heggen en het struikgewas op vreemde voorwerpen, zoals draadafscheidingsen en verborgen bedrading.
- Het apparaat mag alleen op grondniveau worden gebruikt en niet op enige andere onstabiele ondergrond steunen.
- Gebruik het product niet bij slechte verlichting. De gebruiker heeft een duidelijk overzicht nodig van het werkgebied om mogelijke gevaren te identificeren.
- Het gebruik van gehoorbescherming vermindert de mogelijkheid om waarschuwingen (verbaal of alarmeren) te horen. De gebruiker moet extra aandacht hebben voor wat er op de werkplaats gebeurt.
- Schakel het product uit, verwijder het batterijpak en laat beide afkoelen. Zorg ervoor dat alle bewegende delen volledig tot stilstand zijn gekomen:
  - vóórdat de positie van de snijdende delen wordt ingesteld
  - vóór onderhoud
  - voordat u een obstructie verwijdert
  - voor u het product controleert, reinigt of aan het product werkt.
  - voordat u accessoires verwisselt
  - voordat u het product onbewaakt achterlaat
  - voordat er op schade wordt gecontroleerd nadat een voorwerp is geraakt.
  - voordat u onderhoud uitvoert
  - als het product abnormaal begint te trillen
- Duw het product niet met kracht door dichte heesters. Dit kan ervoor zorgen dat het snijblad vast raakt en vertraagt. Als de snijbladen vertragen, vermindert u het tempo.
- Als u het product laat vallen, het een ernstige impact ondergaat of abnormaal begint te trillen, legt u het product onmiddellijk stil en controleert u het op schade of zoekt u naar de oorzaak van de trillingen. Enige schade moet direct worden gerepareerd of vervangen door een bevoegd onderhoudscentrum.
- Bedien het product alleen bij temperaturen tussen 0 °C en 40 °C.
- Bewaar het product op een locatie met een omgevingstemperatuur tussen 0 °C en 40 °C.
- Letsels kunnen worden veroorzaakt of ernstiger worden door verlengd gebruik van een werktuig. Als u een werktuig gedurende langere periodes gebruikt, neem dan regelmatig pauze.

**EXTRA WAARSCHUWINGEN  
BATTERIJVEILIGHEID**

- Voorkom brand, persoonlijk letsel of materiële schade door kortsluiting en dompel het gereedschap, de wisselaccu en het laadtoestel niet onder in vloeistoffen en waarborg dat geen vloeistoffen in de apparaten en accu's kunnen dringen. Corrosieve of geleidende vloeistoffen zoals zout water, bepaalde chemicaliën, bleekmiddelen of producten die bleekmiddelen bevatten, kunnen een kortsluiting veroorzaken.
- Laad de accu op op een locatie met een omgevingstemperatuur van 10 °C tot 38 °C.
- Bewaar de accu op een locatie met een omgevingstemperatuur van 0 °C tot 40 °C.
- Gebruik de accu op een locatie met een omgevingstemperatuur van 0 °C tot 40 °C.

**TRANSPORT EN OPSLAG**

- Schakel het product uit, verwijder de accu en laat het product afkoelen voordat u het vervoert of opbergt.
- Verwijder al het vreemde materiaal van het product. Bewaar het product op een goed geventileerde plaats die niet toegankelijk is voor kinderen. Bewaar voor extra veiligheid de accu afzonderlijk van het product. Houd het product weg van corrosieve producten, zoals tuinchemicaliën en ontdooingszout. Sla het product niet buitenshuis op.
- Monteer de snijbladbescherming alvorens het apparaat op te bergen of tijdens het transport.
- Voor transport beveilig u het product tegen bewegen of vallen om lichamelijke letsels of schade aan het product te voorkomen.

**LITHIUMBATTERIJEN TRANSPORTEREN**

De accu's dienen in overeenstemming met de plaatselijk en nationale regelgeving te worden getransporteerd.

Respecteer alle speciale voorwaarden op de verpakking en etikettering wanneer u de accu's door derden laat transporteren. Zorg ervoor dat de accu's tijdens het transport niet in contact komen met andere batterijen of geleidende materialen door blootliggende connectoren met isolerende, niet-geleidende doppen of plakband te beschermen. Transporteer geen accues die lekken of gebarsten zijn. Overleg met het transportbedrijf voor verder advies.

**ONDERHOUD**

- Gebruik uitsluitend originele vervangonderdelen, accessoires en voorzetstukken van de fabrikant. Als u dit niet doet, kan dit mogelijks letsels of slechte prestaties veroorzaken waardoor uw garantie kan vervallen.
- Het onderhoud vereist extreme voorzichtigheid en deskundigheid en mag enkel door een gekwalificeerde onderhoudstechnicus worden uitgevoerd. Het product mag uitsluitend door een erkend servicecentrum worden gerepareerd.
- De snijmesses zijn uiterst scherp. Wees extreem voorzichtig bij het reinigen, smeren en plaatsen of verwijderen van de bladbescherming om persoonlijk letsel te voorkomen.
- Verwijder de accu alvorens het apparaat af te stellen, te onderhouden of te reinigen.

- U kunt de afstellingen en reparaties die in deze gebruiksaanwijzing worden vermeld, uitvoeren. Voor andere reparaties mag het product uitsluitend door een erkend servicecentrum worden gerepareerd.
- Maag na elk gebruik de kunststofonderdelen schoon met een zachte, droge doek.
- Verwijder na elk gebruik het afval van de bladen met een stijve borstel en breng dan voorzichtig een tegen roest beschermend smeermiddel aan voordat u de bladbescherming weer terugplaatst. De fabrikant raadt aan om een tegen roest beschermende smeerspray te gebruiken om een gelijkmatige laag aan te brengen en om persoonlijk letsel te voorkomen door contact met de bladen. Ga voor informatie over een geschikte spray naar uw plaatselijke bevoegde onderhoudscentrum.
- Controleer regelmatig of alle moeren, bouten en vijzen goed zijn vastgemaakt om zeker te zijn dat het product veilig kan worden gebruikt. Een beschadigd onderdeel moet door een geautoriseerd onderhoudscentrum goed worden gerepareerd of vervangen.

## KEN UW PRODUCT

Zie pagina 106.

1. Snoeibladbeschermer
2. Trigger aan voorzijde
3. Voorste handvat
4. Achterste handvat
5. Aan-/uit-hendel
6. Zaagblad
7. HEDGESWEEP afvalveger
8. Maaibladdeksel
9. Gebruiksaanwijzing
10. Accu
11. Lader

## SYMBOLEN OP HET PRODUCT



Waarschuwing



Lees en begrijp alle aanwijzingen voordat u het product gebruikt. Volg alle waarschuwingen en veiligheidsinstructies.



CE-markering



Brits conformiteitskeurmerk



EurAsian-symbool van overeenstemming



Oekraïens conformiteitskeurmerk



Elektrisch afval mag niet samen met ander huishoudafval worden weggegooid. Gelieve te recyclen indien de mogelijkheid bestaat. Neem contact op met uw lokaal bestuur of handelaar om advies te krijgen over recycling.



Draag gezichtsbescherming



Draag gehoorbescherming



Stel niet bloot aan regen of vocht.



Draag zware antislip beschermhandschoenen.



Houd de heggenschaar altijd met beide handen vast tijdens het gebruik.



Om ernstige letsels te voorkomen, raakt u de zaagbladen niet aan.



Gegarandeerd geluidsniveau (RY18HT50A)



Gegarandeerd geluidsniveau (RY18HT45A)



Houd rekening met weggeslingerde of rondvliegende voorwerpen. Houd alle omstanders op tenminste 15 m afstand van de werkomgeving, vooral kinderen en huisdieren.



Verwijder de accu voordat u werkzaamheden aan het product uitvoert.

## SYMBOLEN IN DEZE GEBRUIKSAANWIJZING



Waarschuwing



Opmerking



Segurança, desempenho e fiabilidade foram as prioridades na concepção do seu corta-sebes sem fios.

## USO PREVISTO

O aparador de sebes sem fios destina-se apenas à utilização em exteriores, em condições secas e bem iluminadas.

O produto foi concebido para uso doméstico. O produto destina-se a cortar e aparar sebes, arbustos e vegetação similar.

Não a use para nenhuma outra finalidade.

## AVISOS DE SEGURANÇA GERAIS DO PRODUTO

**⚠ ADVERTÊNCIA!** Leia todas as instruções dos avisos de segurança, as ilustrações e as especificações técnicas fornecidas com este produto. O não cumprimento das instruções seguintes pode ocasionar acidentes como, por exemplo incêndios, choques eléctricos e/ou ferimentos graves.

Conserve estas advertências e instruções para que possa consultá-las mais tarde.

O termo "ferramenta elétrica" nos avisos refere-se ao seu produto alimentado diretamente pela rede elétrica (com cabo elétrico) ou alimentado por bateria (sem cabo elétrico).

### AMBIENTE DE TRABALHO

- **Mantenha a área de trabalho limpa e bem iluminada.** As áreas desordenadas ou escuras são um convite para acidentes.
- **Não opere ferramentas eléctricas em atmosferas explosivas, tais como na presença de líquidos inflamáveis, gases ou poeira.** As ferramentas eléctricas criam faíscas que podem causar a inflamação de poeiras ou vapores.
- **Ao operar esta ferramenta eléctrica, mantenha as crianças e as pessoas presentes afastadas.** Distrações podem fazer com que perca o controlo.

### SEGURANÇA ELÉCTRICA

- **As fichas eléctricas da ferramenta têm de corresponder à tomada. Nunca altere a ficha seja de que maneira for. Não use quaisquer fichas adaptadoras com ferramentas de ligação com terra.** As fichas não modificadas e tomadas compatíveis reduzirão o risco de choque eléctrico.
- **Evite o contacto do corpo com superfícies com ligação terra ou enterradas, tais como tubos, radiadores, fogões e frigoríficos.** Há um aumento do risco de choque eléctrico se o seu corpo estiver ligado à terra.
- **Não exponha este produto à chuva ou humidade elevada.** A entrada de água na ferramenta eléctrica aumentará o risco de choque eléctrico.
- **Não abuse do cabo de alimentação. Nunca use o cabo para carregar, puxar ou retirar a ficha da ferramenta da tomada. Mantenha o cabo afastado do calor, óleo, pontas afiadas ou peças móveis.** Os cabos danificados ou emaranhados aumentam o risco de choque eléctrico.
- **Ao operar uma ferramenta eléctrica ao ar livre, use um cabo de extensão apropriado para o uso ao ar livre.** A utilização de um cabo apropriado para o uso ao ar livre reduz o risco de choque eléctrico.

- **Se operar uma ferramenta eléctrica num local húmido é inevitável, use uma fonte com protecção de dispositivo de corrente residual (RCD).** O uso de um RCD reduz o risco de choque eléctrico.

### SEGURANÇA PESSOAL

- **Ao operar esta ferramenta eléctrica, permaneça alerta, tenha em atenção ao que está a fazer e use o bom senso. Não utilize a ferramenta eléctrica quando se sentir cansado ou se se encontrar sob a influência de drogas, álcool ou medicamentos.** Um momento de desatenção enquanto opera estas ferramentas eléctricas pode resultar em ferimentos graves.
- **Utilizar equipamento de protecção. Use sempre protecção para os olhos.** O equipamento de protecção tal como a máscara contra pó, calçado anti-derrapante de segurança, capacete, ou protecção para os ouvidos, usado para condições apropriadas irá reduzir a probabilidade de ferimentos.
- **Evite o arranque involuntário. Assegure-se de que o interruptor se encontra na posição de desligado antes de o ligar à fonte de energia e/ou bateria, levantando ou transportando a ferramenta.** Transportar ferramentas eléctricas com o seu dedo no interruptor ou ligar à corrente ferramentas eléctricas que têm o interruptor ligado são um convite a acidentes.
- **Remova qualquer chave de ajuste antes de ligar a ferramenta eléctrica.** Uma chave-inglesa ou uma chave colocada numa peça móvel da ferramenta eléctrica pode causar lesões pessoais.
- **Não se aproxime em demasia. Fique sempre bem apoiado nas pernas e não estique demasiado o braço.** Isto possibilita um melhor controlo da ferramenta eléctrica em situações inesperadas.
- **Use roupas adequadas. Não use roupa larga ou acessórios de jóias. Mantenha o seu cabelo e a sua roupa afastados de peças em movimento.** A roupa larga, jóias ou cabelo comprido podem ficar presos nas peças móveis.
- **Se são fornecidos os dispositivos para a ligação de espaços de extracção e recolha de pó, assegure-se de que estes se encontram conectados e usados correctamente.** A utilização de um colector de pó pode reduzir os perigos relacionados com o pó.
- **Estar familiarizado com as ferramentas por as utilizar com frequência não é razão para se tornar descuidado e para ignorar os princípios de segurança referentes a ferramentas.** Uma ação imprudente pode provocar lesões graves numa fração de segundo.

### UTILIZAÇÃO E MANUTENÇÃO DA FERRAMENTA ELÉCTRICA

- **Não force o produto. Use a ferramenta eléctrica correcta para a sua aplicação.** A ferramenta fará o seu trabalho melhor e de forma mais segura trabalhando ao ritmo para que foi concebida.
- **Não use uma ferramenta caso o interruptor não ligue e desligue a ferramenta eléctrica correctamente.** Qualquer ferramenta eléctrica que não possa ser controlada com o interruptor é perigosa e deve ser reparada.
- **Antes de fazer quaisquer ajustes, substituir acessórios, ou guardar ferramentas eléctricas,**





desencaixe a ficha da tomada da rede eléctrica e/ou desmonte o conjunto de baterias (se for desmontável) da ferramenta eléctrica. Estas medidas de segurança preventivas reduzem o risco de arranque accidental da ferramenta eléctrica.

- **Armazene as ferramentas eléctricas fora do alcance das crianças e não permita que pessoas não familiarizadas com a ferramenta eléctrica ou com estas instruções utilizem a ferramenta eléctrica.** As ferramentas eléctricas são perigosas nas mãos de utilizadores inexperientes.
- **Faça manutenção às ferramentas eléctricas e aos respectivos acessórios.** Verifique se existe desalinhamento ou emperramento das peças móveis, ruptura das peças e qualquer outra condição que possa ter afectado o funcionamento da ferramenta eléctrica. Se danificado, mande a ferramenta eléctrica ser reparada antes de a utilizar. Muitos acidentes são causados por ferramentas eléctricas com fracas manutenções.
- **Mantenha as ferramentas de corte afiadas e limpas.** É menos provável que as ferramentas de corte com uma correcta manutenção e com pontas de corte afiadas fiquem presas e são mais fáceis de controlar.
- **Utilize a ferramenta, acessórios, peças eléctricas, etc., de acordo com estas instruções, tendo em conta as condições de trabalho e o trabalho que se vai realizar.** O uso da ferramenta eléctrica para as operações diferentes daquelas a que se destina podem causar uma situação perigosa.
- **Mantenha os cabos e as superfícies de agarre secos, limpos e livres de óleo ou gordura.** Os cabos e superfícies de fixação resvaladiças não permitem uma fixação e um controlo seguro da ferramenta em situações inesperadas.

#### CUIDADOS E MANUTENÇÃO DA FERRAMENTA DA BATERIA

- **Recarregue apenas com o carregador especificado pelo fabricante.** Um carregador que seja adequado para um tipo de bateria pode causar risco de incêndio, quando utilizado com outra bateria.
- **Use ferramentas eléctricas somente com baterias especificamente concebidas.** O uso de qualquer outro tipo de bateria pode causar risco de lesões e incêndio.
- **Quando a bateria não estiver a ser utilizada, mantenha-a afastada de outros objectos metálicos como cliques de papel, moedas, chaves, pregos, parafusos, ou outros pequenos objectos metálicos que podem fazer a ligação de um terminal para outro.** Ligar os terminais da bateria em conjunto pode causar queimaduras ou um incêndio.
- **Sob circunstâncias abusivas, o líquido pode ser ejectado da bateria, evite o contacto. Se o contacto ocorrer acidentalmente, limpe com água abundante. Se o líquido entrar em contacto com os olhos, procure adicionalmente assistência médica.** O líquido ejectado da bateria pode causar irritação ou queimaduras.
- **Não use um conjunto de baterias ou uma ferramenta que tenha sido sofrido danos ou modificações.** Baterias danificadas ou modificadas podem ter um comportamento imprevisível, resultando em incêndio, explosão ou risco de ferimentos.

- **Não exponha um conjunto de baterias nem uma ferramenta ao fogo ou a temperaturas excessivas.** A exposição ao fogo ou a temperaturas acima de 130 °C pode causar uma explosão.
- **Siga todas as instruções de carregamento e não dê carga ao conjunto de baterias ou à ferramenta fora da amplitude de temperaturas especificada nas instruções.** O carregamento feito de forma incorrecta ou sob temperaturas fora da amplitude especificada pode danificar a bateria e aumentar o risco de incêndio.

#### MANUTENÇÃO

- **A manutenção da sua ferramenta eléctrica deve ser efectuada por uma pessoa qualificada para reparações, utilizando apenas peças de substituição idênticas.** Isto assegurará que a segurança da ferramenta eléctrica é mantida.
- **Nunca tente reparar nem fazer manutenção a conjuntos de baterias danificados.** A reparação e manutenção de conjuntos de baterias só deve ser feita pelo fabricante ou por um centro de assistência autorizado.

#### AVISOS DE SEGURANÇA DO RECORTADOR DE SEBES ELÉCTRICO SEM FIOS

- **Mantenha todas as partes do corpo afastadas da lâmina. Não remova o material de corte ou segure o material a ser cortado quando as lâminas se encontram em movimento.** As lâminas continuam a rodar depois de desligar o motor. Um momento de desatenção enquanto opera o produto pode resultar em ferimentos graves.
- **Transporte o aparador de sebes pela pega com a lâmina parada e exerça cautela para não acionar qualquer interruptor geral.** O transporte correto do aparador reduz o risco de arranque inadvertido e os resultantes ferimentos pessoal devido à ação das lâminas.
- **Ao transportar ou armazenar o aparador de sebes, instale sempre a cobertura da lâmina.** O correto manuseamento do aparador de sebes reduz o risco de ferimentos pessoais nas lâminas.
- **Ao desobstruir material preso ou ao realizar tarefas de manutenção na unidade, certifique-se de que todos os interruptores estão desligados e de que a unidade da bateria é retirada ou desligada.** Poderá ocorrer o funcionamento inesperado do corta-sebes ao retirar material obstruído ou ao realizar tarefas de manutenção e causar graves ferimentos pessoais.
- **Segure o aparador de sebes apenas pelas superfícies de prensão isoladas, uma vez que a lâmina pode entrar em contacto com fios condutores ocultos.** Em contacto com um fio "energizado", as lâminas podem expor partes metálicas do aparador de sebes energizado e resultar em choques eléctricos para o operador.
- **Mantenha todos os cabos e fios de alimentação afastados da área de corte.** Os fios ou cabos de alimentação poderão estar escondidos em sebes ou arbustos e pode ser acidentalmente cortados pela lâmina.
- **Não utilize o aparador de sebes em condições meteorológicas adversas, especialmente se existir o risco de trovoadas.** Desta forma, reduz o risco de ser atingido por um raio.



**AVISOS DE SEGURANÇA ADICIONAIS**

- Não tente cortar troncos os ramos com mais de 22 mm de espessura para o RY18HT45A ou 24 mm de espessura para o RY18HT50A ou que sejam obviamente demasiado grandes para a lâmina de corte. Use uma serra manual não motorizada ou uma serra de debaste para aparar os caules maiores.
- Opere o aparelho segurando-o sempre com firmeza com as duas mãos e pelas duas pegas.
- Inspeccione a máquina antes de cada uso. Verifique os fechos soltos, as fugas de combustível, etc. Assegure-se de que todas as protecções e cabos estão unidos de forma correcta e segura. Substitua qualquer peça danificada antes da utilização. Verifique se existem fugas na bateria.
- Verifique a existência de objetos estranhos e cabos escondidos nas sebes e arbustos.
- O produto deve ser utilizado apenas ao nível do solo e não em qualquer outro apoio instável.
- Não utilize o produto em condições de má iluminação. O operador necessita de uma visão clara da área de trabalho para identificar potenciais perigos.
- O uso da protecção auditiva reduz a sua capacidade de ouvir avisos (gritos ou alarmes). O operador deve prestar atenção extra àquilo que está a acontecer na área de trabalho.
- Desligue o produto, retire a bateria e permita que ambos arrefeçam. Certifique-se de que todas as peças em movimento pararam completamente:
  - antes de afinar a posição de trabalho dos meios de corte
  - antes de fazer reparações ou manutenção
  - antes de desobstruir bloqueios
  - antes de verificar, limpar ou funcionar com o produto
  - antes de substituir acessórios
  - antes de deixar o produto desacompanhado
  - antes de verificar a existência de quaisquer danos após o embate com um objeto
  - antes de realizar tarefas de manutenção
  - se o produto começar a vibrar de forma anormal
- Não force o produto a atravessar arbustos muito densos. Isto pode fazer com que as lâminas prendam e abrandem. Se as lâminas abrandarem, reduza o ritmo.
- Se o aparelho cair, sofrer um impacto forte ou começar a vibrar de maneira anormal, pare-o imediatamente e verifique se está danificado ou identifique o motivo da vibração. Qualquer dano deve ser devidamente reparado ou substituído por um centro de assistência autorizado.
- Utilize o produto apenas em temperaturas entre 0 °C e 40 °C.
- Guarde o produto num local em que a temperatura ambiente se situe entre 0 °C e 40 °C.
- O uso prolongado de uma ferramenta pode causar o agravar lesões. Ao usar qualquer ferramenta durante períodos prolongados, assegure-se que faz intervalos regulares.

**AVISOS DE SEGURANÇA ADICIONAIS DAS BATERIAS**

- Para evitar o risco de incêndio, de feridas ou de danificação do produto causado por um curto-circuito, não imerja a bateria intercambiável ou o carregador em líquidos e assegure-se de que líquidos não penetrem nos aparelhos ou nas baterias. Líquidos corrosivos ou condutivos como água salgada, determinadas substâncias químicas ou produtos que contenham branqueadores podem causar um curto-circuito.
- Carregue a bateria num local em que a temperatura ambiente se situe entre 10 °C e 38 °C.
- Guarde a bateria num local em que a temperatura ambiente se situe entre 0 °C e 40 °C.
- Utilize a bateria num local em que a temperatura ambiente se situe entre 0 °C e 40 °C.

**TRANSPORTE E ARMAZENAMENTO**

- Desligue o produto, retire sempre a bateria e permita que o produto arrefeça antes de transportá-lo ou armazá-lo.
- Limpe todos os materiais estranhos do produto. Guarde o produto num local bem ventilado a que as crianças não consigam aceder. Por motivos de segurança extra, armazene a bateria num local diferente do produto. Mantenha o produto afastado de agentes corrosivos tais como produtos químicos de jardim e sais de remoção de gelo. Não guarde o produto em espaços exteriores.
- Instale a protecção da lâmina antes de guardar o produto ou durante o transporte.
- Para transportar, prenda o aparelho de modo a evitar que este se mova ou caia, para evitar lesões ou danos no produto.

**TRANSPORTE DE BATERIAS DE LÍLIO**

Transporte as baterias em conformidade com as disposições e regulamentos locais e nacionais.

Siga todos os requisitos especiais na embalagem e rótulos ao transportar baterias por um terceiro. Certifique-se de que nenhuma bateria pode entrar em contato com outras baterias ou materiais condutores durante o transporte protegendo os conectores expostos com tampas ou fita isoladora e não condutora. Não transporte baterias que estejam rachadas ou com fugas. Confirme com a empresa de envio para mais conselhos.

**MANUTENÇÃO**

- Utilize apenas peças de substituição, acessórios e encaixes do fabricante original. A inobservância desta indicação pode causar um fraco desempenho, possíveis lesões e poderá anular a sua garantia.
- Os serviços de manutenção requerem extremo cuidado e conhecimentos e devem apenas ser realizado por um técnico de assistência qualificado. Repare o seu produto exclusivamente num centro de assistência autorizado.
- As lâminas são extremamente afiadas. Para evitar lesões pessoais, tenha muito cuidado ao limpar, lubrificar e montar ou desmontar o protetor da lâmina.
- Antes de fazer afinações, manutenção ou limpeza ao produto, retire sempre a bateria.
- Pode realizar os ajustes e reparações descritos neste manual do utilizador. Para outras reparações, entregue o seu produto exclusivamente a um centro de assistência autorizado.

- Após cada utilização, limpe as peças de plástico com um pano macio e seco.
- Após cada utilização, limpe os detritos das lâminas com uma escova dura e, em seguida, aplique cuidadosamente um lubrificante que previne a ferrugem antes de voltar a colocar o protetor de lâmina. O fabricante recomenda-lhe que utilize um pulverizador lubrificante e preventivo contra ferrugem a aplicar numa distribuição uniforme e reduzir assim o risco de lesões do contacto com as lâminas. Para mais informações sobre o produto pulverizador apropriado, verifique com o seu centro de assistência autorizado local.
- Verifique todas as porcas, pregos e parafusos com intervalos frequentes para confirmar a tensão apropriada e se certificar que o produto está em condições seguras de funcionamento. Qualquer peça danificada deve ser substituída ou reparada adequadamente por um centro de serviço autorizado.

## CONHEÇA O SEU APARELHO

Ver a página 106.

1. Protecção da lâmina
2. Gatilho frontal
3. Pega frontal
4. Pega traseira
5. Gatilho
6. Lâmina
7. Varredor de detritos HEDGESWEEP
8. Cobertura da lâmina
9. Manual do operador
10. Bateria
11. Carregador

## SÍMBOLOS NO PRODUTO



Aviso



Antes de utilizar este produto, leia e compreenda todas as instruções neste Manual. Siga todos os avisos e todas as instruções de segurança.



Marca europeia de conformidade



Marca britânica de conformidade



Marca de conformidade EurAsian



Marca ucraniana de conformidade



Os aparelhos eléctricos antigos não devem ser eliminados juntamente com o lixo doméstico. Recicle onde existem instalações para o efeito. Verifique com as suas Autoridades Locais ou revendedor para obter informações sobre reciclagem.



Usar protecção para os olhos



Use protecção para os ouvidos



Não o exponha à chuva ou a condições de humidade.



Utilize luvas protectoras antideslizantes resistentes.



Segure sempre o corta-sebes com ambas as mãos quando o estiver a utilizar.



Para prevenir lesões graves, não toque nas lâminas de corte



Nível de potência sonora garantido (RY18HT50A)



Nível de potência sonora garantido (RY18HT45A)



Tenha cuidado com os objectos voláteis ou lançados. Mantenha todos os transeuntes, em especial as crianças e os animais de estimação, a uma distância mínima de 15 m da área de utilização.



Antes de fazer quaisquer trabalhos de manutenção ou limpeza ao produto, desmonte o conjunto de baterias.

## SÍMBOLOS NESTE MANUAL



Aviso



Nota



Sikkerhed, ydelse og driftssikkerhed har fået topprioritet i designet af din ledningsfri hækkeklipper.

### TILTÆNKT ANVENDELSESFORMÅL

Akku-hækkeklipperen er kun beregnet til udendørs brug under tørre forhold og med god belysning.

Produktet er beregnet til privat eller hjemlig brug. Produktet er beregnet til at beskære og trimme hække, buske og lignende vegetation.

Må ikke bruges til andre formål.

### GENERELLE SIKKERHEDSADVARSLER FOR PRODUKTET

**⚠ ADVARSEL! Læs alle omhyggeligt alle advarsler, anvisninger og specifikationer, som følger med maskinen, og studer illustrationerne.** Hvis nedenstående forskrifter ikke overholdes, kan der ske uheld og ulykker som brand, elektrisk stød og/eller alvorlige personskader.

**Gem vejledningen med advarsler og anvisninger til senere opslag.**

Betegnelsen "eldrevet værktøj" in advarslerne henviser til jeres ledningsforbundne produkt eller batteridrevne (ledningsfrie) produkt.

### ARBEJDSOMGIVELSER

- **Hold arbejdsområdet rent og godt oplyst.** Rodede eller mørke områder inviterer til ulykker.
- **Brug ikke elværktøjer i eksplosive omgivelser som fx i nærheden af brandbar væske, gas eller støv.** Elværktøjer udløser gnister, som kan antænde støvet eller dampene.
- **Der må ikke være børn og tilskuere i nærheden, når et elværktøj anvendes.** Distractioner kan medføre, at du mister kontrollen.

### ELEKTRISK SIKKERHED

- **Elværktøjets elstik skal passe til elnetkontakten.** Elstikket må aldrig modificeres på nogen som helst måde. Undlad brug af adapterstik til jordede (stelforbundne) elværktøjer. Umodificerede elstik og passende elnetkontakter reducerer faren for elektrisk stød.
- **Undgå kropskontakt med jordede eller stelforbundne overflader som fx rør, radiatorer, komfurer og køleskabe.** Der er forøget risiko for elektrisk stød, hvis din krop er forbundet med jord eller stel.
- **Dette produkt må ikke udsættes for regn eller fugt.** Hvis der trænger vand ind i et elværktøj, øges faren for elektrisk stød.
- **Undlad at misbruge ledningen.** Ledningen må aldrig bruges til at bære eller trække i elværktøjet eller til at trække stikket ud. Ledningen må ikke komme i nærheden af varme, olie, skarpe kanter eller bevægelige dele. Beskadede eller sammenfiltrede ledninger øger faren for elektrisk stød.
- **Når et elværktøj anvendes i det fri, skal der bruges en forlængerledning, der er egnet til udendørs brug.** Brug af ledninger beregnet til udendørs brug reducerer faren for elektrisk stød.
- **Hvis man er nødt til at bruge et elværktøj i fugtige omgivelser, skal strømforsyningen have en fejlstrømsafbryder (RCD-afbryder).** Brug af fejlstrømssikring reducerer faren for elektrisk stød.

### PERSONLIG SIKKERHED

- **Når man bruger et elværktøj, skal man være agtpågivende, iagttage hvad man gør og bruge sund fornuft.** Undlad at bruge et elværktøj, hvis du er træt eller påvirket af narkotika, alkohol eller medikamenter. Et øjeblikks uopmærksomhed under brug af motoriserede værktøjer kan medføre alvorlige personskader.
- **Brug personlige værnemidler.** Brug altid øjenværn. Værnemidler som fx støvmaske, skridfast sikkerhedsfodtøj, hjelm eller høreværn anvendt korrekt i forhold til de givne forhold reducerer faren for personskader.
- **Forebyg utilsigtet start.** Kontrollér, at kontakten er i pos. OFF (=slukket), inden værktøjet sluttes til strømkilde og/eller batteri, samles op eller bæres. At bære elværktøjer med fingeren på kontakten eller at slutte strøm til elværktøjer med tændt kontakt er at invitere til ulykker.
- **Fjern evt. skruenøgler, inden der tændes for elværktøjet.** En efterladt skruenøgle fastgjort til en roterende del af elværktøjet kan medføre personskader.
- **Overstræk ikke.** Sørg for altid at have godt fodfæste og god balance. Dette giver bedre kontrol over elværktøjet i uventede situationer.
- **Vær ordentligt klædt på.** Bær ikke løftsiddende tøj eller smykker. Hold hår og beklædning på afstand af bevægelige dele. Løstsiddende tøj, smykker eller langt hår kan hænge fast i bevægelige dele.
- **Hvis der findes anordninger for tilslutning af støvudsugnings- og -opsamlingsudstyr, skal disse tilsluttes og anvendes korrekt.** Brug af støvopsamling kan reducere støvrelaterede faremomenter.
- **Lad ikke fortrogheden, der er opstået ud fra hyppig brug af et redskab, påvirke dig til at være tilbagelænet og ignorere sikkerhedsprincipper.** En uforsigtig handling kan føre til alvorlige personskader på en brøkdæl af et sekund.

### BRUG OG PLEJE AF ELVÆRKTØJ

- **Undlad at tvinge produktet.** Brug elværktøjet til det tiltænkte anvendelsesformål. Det korrekte elværktøj klarer opgaven bedre og sikrere med den hastighed, det er designet til.
- **Elværktøjet må ikke tages i brug, hvis TÆND/SLUK-kontakten ikke virker.** Et elværktøj, der ikke kan kontrolleres med TÆND/SLUK-kontakten, er farligt og skal repareres.
- **Fjern stikket fra strømkilden, og/eller fjern batteripakken fra elværktøjet, hvis den er aftagelig, før du foretager justeringer, udskifter tilbehør eller lægger elværktøjet væk.** Disse forebyggende sikkerhedsforanstaltninger reducerer faren for utilsigtet start af elværktøjet.
- **Når elværktøjer ikke bruges, skal de opbevares utilgængeligt for børn; personer, som ikke er fortrolige med elværktøjet eller denne brugsanvisning, må ikke anvende elværktøjet.** Elværktøjer er farlige i hænderne på ukyndige brugere.
- **Vedligehold elværktøj og tilbehør.** Kontrollér, om der er forkert indjusterede eller forbundne bevægelige dele, afbrækkede dele samt andre tilstande, som kan påvirke elværktøjets funktionsmåde. Hvis der konstateres skader, skal elværktøjet repareres inden brug. Mange ulykker skyldes dårligt vedligeholdte elværktøjer.



- **Skærende værktøjer skal holdes skarpe og rene.** Korrekt vedligeholdte skærende værktøjer med skarpe skær er mindre tilbøjelige til at binde/blokere og er lettere at kontrollere.
- **Brug elværktøjet, tilbehøret og værktøjs-bits osv. som foreskrevet i denne brugsanvisning, og tag højde for arbejdsforholdene og den aktuelle arbejdsopgave.** Brug af elværktøjet i strid med de tiltænkte anvendelsesformål kan medføre farlige situationer.
- **Hold håndtagene og gribefladerne tørre, rene og fri for olie og fedt.** Glatte håndtag og gribeflader umuliggør sikker håndtering og kontrol af redskabet i uventede situationer.

## BRUG OG PLEJE AF BATTERI OG REDSKAB

- **Opladning må kun finde sted med den af producenten foreskrevne oplader.** En oplader, der er beregnet til én type batteri, kan udgøre en brandrisiko, hvis den bruges til en anden batteritype.
- **Brug kun elværktøjer sammen med specifikt godkendte batterier.** Brug af andre batterityper kan medføre fare for personskade og brand.
- **Når batteriet ikke bruges, må det ikke opbevares sammen med metalgenstande som fx papirclips, mønter, nøgler, søm, skruer eller andre metalgenstande, som kan skabe forbindelse mellem batteriets poler.** Hvis batteriets poler kortsluttes, kan det forårsage forbrændinger eller ildebrand.
- **Hvis batteriet misbruges, kan der sprøjte væske ud af det; undgå kontakt med batterivæsken.** Ved kontakt med batterivæsken skylles der med vand. Hvis der kommer væske i øjnene, kontaktes læge straks. Udsprøjet batterivæske kan forårsage irritation eller forbrændinger.
- **Brug ikke et batteri eller værktøj, der er beskadiget eller modificeret.** Beskadigede eller modificerede batterier kan være ustabile, hvilket kan medføre brand, eksplosion eller personskade.
- **Udsæt ikke batteri eller værktøj for åben ild eller høje temperaturer.** Udsættelse for ild eller temperaturer over 130 °C kan medføre eksplosion.
- **Følg vejledningen for opladning, og oplad ikke batteriet eller værktøjet uden for det temperaturområde, der er angivet i vejledningen.** Forkert opladning eller opladning ved temperaturer uden for det angivne område kan beskadige batteriet og øge risikoen for brand.

## VEDLIGEHOLDELSE

- **Sørg for, at elværktøjet serviceres af en kvalificeret reparatør, som kun benytter sig af originale reservedele.** Herved garanteres sikkerheden for elproduktet.
- **Efterse aldrig beskadigede batteripakker.** Eftersyn af batteripakker bør kun udføres af producenten eller autoriserede serviceleverandører.

### SIKKERHEDSADVARSLER FOR BATTERIDREVT HÆKTRIMMER

- **Hold alle kroppsdele på afstand af klingens. Forsøg ikke at fjerne afklippet materiale eller holde om materiale, der skal klippes, mens knivene er i bevægelse.** Klanger fortsætter med at rotere efter slukning af motor.

Et øjeblik uopmærksomhed under anvendelse af produktet kan medføre alvorlige personskader.

- **Bær hækkeklipperen i håndtaget med stoppet klinge, og pas på ikke at aktivere en afbryder.** At bære hækkeklipperen på den korrekte måde reducerer risikoen for at starte den forårsage efterfølgende personskade med klingerne.
- **Når du transporterer eller opbevarer hækkeklipperen, skal du altid påmontere sværdbeskytteren.** Korrekt håndtering af hækkeklipperen reducerer risikoen for personskade med knivene.
- **Når du fjerner fastklemt materiale eller servicerer enheden, skal du sørge for, at alle strømafbrydere er slukket, og at batteripakken er fjernet eller afbrudt.** Uventet aktivering af hækkeklipperen, under fjernelse af fastsiddende materiale eller servicering, kan medføre alvorlig personskade.
- **Hold kun på hækkeklipperen på de isolerede gribeblader, da knivene evt. kan komme i berøring med skjulte ledninger.** Hvis knivene kommer i berøring en strømførende ledning, kan det gøre blottede metaldele på hækkeklipperen strømførende og give operatøren elektrisk stød.
- **Hold alle netledninger og kabler væk fra skærområdet.** Netledninger eller kabler kan være skjult i hække eller buske og kan ved et uheld blive skåret over af klingens.
- **Brug ikke hækkeklipperen under dårlige vejrforhold, især ikke når der er fare for lynnedslag.** Dette mindsker risikoen for at blive ramt af lynet.

### EKSTRA SIKKERHEDSADVARSLER

- **Forsøg ikke at skære stammer eller kviste, der er tykkere end 22 mm med RY18HT45A eller 24 mm tykke med RY18HT50A, eller som naturligvis er for store til at føres ind i klingens.** Brug en manuel håndsav eller beskæringsssav til klipping af lange stammer.
- **Når man bruger produktet, skal man altid holde det godt fast med hænderne i de to håndtag.**
- **Husk altid at inspicere maskinen inden brug.** Kontrollér for løse fastgørelseselementer, brændstoftæke, mv. Kontrollér, at alle skærme, og håndtag er fastgjort ordentligt og sikkert. Udskift evt. beskadigede dele inden brug. Kontrollér for batterilækager.
- **Kontroller hegnet og buske for fremmede objekter, såsom trådhegn og skjulte ledninger.**
- **Produktet må kun bruges på jordniveau og ikke på nogen anden ustabil overflade.**
- **Brug ikke produktet i dårlig belysning.** Operatøren skal have tydeligt overblik over arbejdsområdet, så han/hun kan identificere evt. faremomenter.
- **Vær opmærksom på, at høreværn begrænser evnen til at høre advarsler (alarmer eller råb).** Operatøren skal være ekstra opmærksom på, hvad der sker i arbejdsområdet.
- **Sluk for produktet, fjern batteripakken og lad begge køle af.** Kontrollér, at alle bevægelige dele er standset fuldstændigt:
  - inden justering af arbejdsposition for skæremidler
  - før betjening
  - før rydning af en blokering
  - inden kontrol, rengøring eller arbejde på produktet
  - før der skiftes tilbehør



- før du går fra produktet
  - Inden kontrol af skader efter at have ramt en genstand
  - inden der foretages vedligeholdelse
  - hvis produktet begynder at vibrere unormalt
- Lad være med at tvinge stavhækklipperen gennem kraftigt buskads. Dette kan få knivene til at blokere eller køre langsommere. Hvis knivene kører langsommere, reducerer man bevægelsestempoet.
  - Hvis produktet tabes, udsættes for stød eller begynder at vibrere unormalt, skal man omgående stoppe det og inspicere det for skader eller lokalisere årsagen til vibrationen. Enhver beskadiget del skal repareres ordentligt eller udskiftes på et autoriseret servicecenter.
  - Brug kun produktet ved temperaturer mellem 0° C og 40° C.
  - Opbevar produktet et sted, hvor omgivelsestemperaturen er mellem 0° C og 40° C.
  - Længere tids brug af et værktøj kan forårsage - eller forværre - personskader. Når man bruger et værktøj i længere perioder ad gangen, skal man huske at holde hyppige pauser.

#### YDERLIGERE SIKKERHEDSADVARSLER OM BATTERI

- For at undgå risiko for brand, kvæstelser eller beskadigelse af produktet forårsaget af kortslutning må værktøjet, batteripakken eller opladeren ikke nedsænkes i vand. Sørg ligeledes for, at der ikke trænger væske ind i enhederne og batterierne. Korroderende eller ledende væsker, f.eks. saltvand, bestemte kemikalier, blegestoffer eller produkter, som indeholder blegemidler, kan forårsage kortslutning.
- Oplad batteripakken et sted, hvor omgivelsestemperaturen er mellem 10° C og 38° C.
- Opbevar batteripakken et sted, hvor omgivelsestemperaturen er mellem 0° C og 40° C.
- Brug batteripakken et sted, hvor omgivelsestemperaturen er mellem 0° C og 40° C.

#### TRANSPORT OG OPBEVARING

- Sluk for produktet, og fjern batteripakken, og lad det afkøle inden det opbevares eller transporteres.
- Afrens alle fremmedlegemer fra produktet. Opbevar produktet på et godt ventileret sted, der er utilgængeligt for børn. For at være på den sikre side, skal batteriet opbevares separat fra produktet. Sørg for, at produktet ikke kommer i nærheden af korrosive stoffer såsom havekemikalier og strøsalt. Opbevar ikke produktet udendørs
- Monter klingedækslet, før produktet opbevares eller under transport.
- Til transport skal man sikre produktet, så den ikke kan bevæge sig eller vælte; dette for at forebygge personskader eller skader på produktet.

#### TRANSPORT AF LITHIUM-BATTERIER

Batterier skal transporteres i henhold til lokale og nationale forskrifter og love.

Når batterier skal transporteres af tredjepart, skal alle specielle krav til emballering og mærkning overholdes.

Man skal sikre sig, at ingen batterier under transporten kan komme i kontakt med andre batterier eller ledende materialer ved at beskytte blottede konnektorer med isolerende, ikke-ledende hætter eller tape. Undlad at transportere batterier med revner eller utætheder. Rådfør dig desuden med speditøren.

#### VEDLIGEHOLDELSE

- Brug kun originale reservedele, ekstraudstyr og tilbehør fra producenten. I modsat fald er der fare for personskader, dårlig maskinydelse og annullering af garantien.
- Vedligeholdelse kræver stor omhyggelighed og viden og bør kun udføres af en kvalificeret tekniker. Lad kun et autoriseret serviceværksted servicere produktet.
- Knivene er ekstremt skarpe. For at forebygge personskader skal man være ekstremt forsigtig, når man rengør, smører, monterer eller fjerner knivbeskytteren.
- Fjern altid batteripakken, før produktet justeres, vedligeholdes eller rengøres.
- Du kan lave justeringer og reparationer beskrevet i denne brugervejledning. Lad kun et autoriseret servicecenter servicere og reparere produktet.
- Rengør plastikdelene med en blød, tør klud efter hver brug.
- Efter hver brug skal man fjerne affald fra knivene med en stiv børste og derefter forsigtigt påføre rustbeskyttelsesmiddel, inden man genmonterer knivbeskytteren. Producenten anbefaler, at man bruger en rustbeskyttende smøremiddelspray, som fordeles jævnt og reducerer faren for personskade som følge af kontakt med knivene. For information mht. passende sprayprodukt henvises til det lokale autoriserede servicecenter.
- Tjek ofte alle møtrikker, bolte og skruer om de sidder godt fast, og sørg for at produktet fungerer ordentligt. Enhver del, som bliver beskadiget, skal repareres korrekt eller udskiftes hos et autoriseret servicecenter.

#### KEND PRODUKTET

Se side 106.

1. Skærebladsafskærmning
2. Frontudløser
3. Forhåndtag
4. Baghåndtag
5. Udløser
6. Klinge
7. HEDGESWEEP-løvfjerner
8. Knivdæksel
9. Brugsanvisning
10. Batteri
11. Oplader

#### SYMBOLER PÅ PRODUKTET



Sikkerheds Varsel



Læs og forstå alle anvisninger inden betjening af produktet. Overhold alle advarsler og sikkerhedsanvisninger.



Europæisk overensstemmelsesmærkning

UK  
CA

Britisk overensstemmelsesmærkning

EAC

EurAsian overensstemmelsesmærke



Ukrainsk  
overensstemmelsesmærkning



Elektriske affaldsprodukter bør ikke afskaffes sammen med husholdningsaffald. Genbrug venligst hvor faciliteterne tillader dette. Tjek med din lokale kommune eller forhandler for genbrugsråd.



Benyt øjenværn



Bær høreværn



Må ikke udsættes for regn eller bruges på fugtige steder.



Brug friktionsfri, kraftige beskyttelseshandsker.



Hold altid hækkeklipperen med begge hænder under brug.



For at undgå alvorlige personskader må man ikke røre knivene.



Garanteret støjniveau (RY18HT50A)



Garanteret støjniveau (RY18HT45A)



Pas på udslyngede eller flyvende objekter. Hold alle omkringstående, især børn og kæledyr, mindst 15 m væk fra operationsområdet.



Aftag batterisættet før der eventuelt udføres arbejde på produktet.

## SYMBOLER I DENNE BRUGSANVISNING



Advarsel



Bemærk

Säkerhet, prestanda och pålitlighet har varit högsta prioritet vid design av din sladdlösa häcktrimmer.

### ANVÄNDNINGSMÅL

Den sladdlösa häcktrimmern är enbart avsedd för användning utomhus under torra förhållanden med god belysning.

Produkten är avsedd för hemma- eller privat bruk. Produkten är avsedd att klippa och trimma häckar, buskar och liknande växtlighet.

Får ej användas för annat ändamål.

### ALLMÄNNA PRODUKTSÄKERHETSVARNINGAR

**⚠ VARNING!** Studera alla säkerhetsvarningar och -instruktioner, illustrationer och specifikationer som följer med denna produkt. Underlåtenhet att respektera dessa föreskrifter kan leda till olyckor som brand, elektriska stötår och/eller allvarliga kroppsskador.

**Spara dessa varningar och instruktioner för senare behov.**

Termen "elektriskt verktyg" i varningarna avser din nätdrivna produkt (med sladd) eller din batteridrivna produkt (utan sladd).

### ARBETSMILJÖ

- **Håll arbetsområdet rent och välupplyst.** Oordnade och mörka områden inbjuder till olyckor.
- **Använd inte kraftverktyg i explosiva atmosfärer, exempelvis i närheten av brännbara vätskor, gaser eller damm.** Kraftverktyg ger upphov till gnistor vilka kan antända damm eller ångor.
- **Håll barn och åskådare borta när du använder ett kraftverktyg.** Distraktioner kan få dig att tappa kontrollen.

### ELEKTRISK SÄKERHET

- **Kraftverktygets kontakt måste matcha uttaget.** Modifiera inte kontakten på något sätt. Använd inga adapterkontakter med jordade kraftverktyg. Omodifierade kontakter och matchande uttag minskar risken för elektrisk stöt.
- **Undvik kroppskontakt med jordade ytor, som exempelvis rör, element, spis och kylskåp.** Det föreligger en förhöjd risk för elektrisk stöt om din kropp är jordad.
- **Exponera inte produkten för regn eller våta förhållanden.** Vatten som tränger in i ett kraftverktyg ökar risken för elektrisk stöt.
- **Misshandla inte sladden.** Använd aldrig sladden för att bära, dra eller koppla bort kraftverktyget. Håll sladden borta från värme, olja, vassa kanter och rörliga delar. Skadade eller intrasslade elsladdar ökar risken för elektrisk stöt.
- **Använd en förlängningssladd avsedd för utomhusbruk när du använder kraftverktyget utomhus.** Användning av en sladd lämplig för utomhusbruk minskar risken för elektrisk stöt.
- **Använd en jordfelsbrytare om det är oundvikligt att använda ett kraftverktyg i en fuktig miljö.** Användningen av en jordfelsbrytare minskar risken för elektrisk stöt.

### PERSONLIG SÄKERHET

- **Var uppmärksam på vad du gör och använd sunt förnuft när du använder ett kraftverktyg. Använd inte ett kraftverktyg när du är trött eller påverkad av droger, alkohol eller mediciner.** Ett ögonblicks ouppmärksamhet när du använder kraftverktyg kan orsaka allvarlig personskada.
- **Använd skyddsutrustning. Bär alltid ögonskydd.** Skyddsutrustning, som exempelvis andningsskydd, halkskyddade säkerhetsskor, huvudskydd och hörselskydd minskar i tillämpliga fall risken för personskador.
- **Förhindra oavsiktlig start. Säkerställ att strömbrytaren är i av-läge innan du ansluter till uttaget och/eller batteripaketet, innan du lyfter upp verktyget och innan du bär det.** Att bära kraftverktyg med fingret på avtryckaren eller kraftverktyg som är igång bjuder in olyckor.
- **Ta bort eventuella justerings- eller skiftnycklar innan du startar kraftverktyget.** En skiftnyckel eller justeringsnyckel som lämnas kvar i en roterande del av kraftverktyget kan orsaka personskada.
- **Sträck dig inte. Ha alltid ett bra fotfäste och en god balans.** Det ger dig bättre kontroll över kraftverktyget i oväntade situationer.
- **Klä dig korrekt. Använd inte löst åtsittande kläder eller smycken. Håll ditt hår och dina kläder borta från rörliga delar.** Lössittande kläder, smycken och långt hår kan fastna i rörliga delar.
- **Om några uppsamlingsenheter för damm och avfall medföljer ska dessa vara anslutna och användas på ett korrekt sätt.** Användningen av en dammuppsamlare kan minska dammrelaterade faror.
- **Låt inte den erfarenhet som följer med vana vid verktygsanvändning göra dig oförsiktig och ignorera säkerhetsprinciper för verktygsanvändningen.** En oförsiktig handling kan orsaka allvarlig personskada på bara bråkdelen av en sekund.

### ANVÄND OCH TA HAND OM KRAFTVERKTYGET

- **Tvinga inte produkten. Använd rätt kraftverktyg för ditt jobb.** Rätt kraftverktyg gör jobbet bättre och säkrare om det används i den takt som det är designat för.
- **Använd inte kraftverktyget om strömbrytaren inte fungerar för att stänga av och sätta på verktyget.** Alla kraftverktyg som inte kan kontrolleras med strömbrytaren är farliga och måste repareras.
- **Ta ut kontakten ur eluttaget och/eller ta bort batteripaketet, ifall avtagbart, från elverktyget innan du gör några justeringar, byter tillbehör eller förvarar elverktyg.** Sådana förebyggande åtgärder minskar risken för att kraftverktyget startar oavsiktligt.
- **Förvara avstängda kraftverktyg utom räckhåll för barn och låt inte personer som är obekanta med kraftverktyg, eller dessa instruktioner, använda kraftverktyget.** Kraftverktyg är farliga i händerna på otränade användare.
- **Underhåll elverktyg och tillbehör. Kontrollera så att inga rörliga delar är felinriktade eller sitter fast, att inga delar har gått sönder samt att ingenting annat föreligger som kan påverka kraftverktygets användning. Reparera kraftverktyget innan användning om det är skadat.** Många olyckor uppstår på grund av dåligt underhållna kraftverktyg.

- **Håll skärverktyg vassa och rena.** Korrekt underhålla skärverktyg med vassa skärkanter fastnar inte lika lätt och är lättare att kontrollera.
- **Använd kraftverktyget, tillbehören och borrspetsar etc. i enlighet med dessa anvisningar och ta hänsyn till arbetsförhållanden och det jobb som ska utföras.** Användning av kraftverktyget till andra saker än det är avsett för kan resultera i en farlig situation.
- **Håll handtag och grepp torra, rena och fria från olja och smörj fett.** Hala handtag och grepp innebär osäker hantering och dålig kontroll över verktyget i oväntade situationer.

## HANTERING OCH ANVÄNDNING AV BATTERIVERKTYG

- **Använd endast den batteriladdare som tillverkaren rekommenderar.** En batteriladdare som passar en typ av batteripack kan vara en brandfara om den används med en annan typ av batteripack.
- **Använd eldrivna verktyg med batteripaket som är speciellt utformade för användning tillsammans med produkterna.** Om du använder andra batteripaket ökar du risken för skador och brand.
- **När batteripaketet inte används ska det hållas bort från metallföremål som gem, mynt, nycklar, spikar, skruvar och andra små metallföremål som kan kortsluta batteriets kontakter.** Vid kortslutning av batteriets kontakter finns det risk för brännskador eller brand.
- **Vätska kan läcka ut från batteripaketet vid felaktig användning; undvik kontakt med vätskan. Spola med vatten om du kommer i kontakt med den. Uppsök omedelbart läkarhjälp om du får vätska i ögonen.** Den kan orsaka irritation och brännskador.
- **Använd inte en batterienhet eller ett verktyg som är skadat eller har modifierats.** Skadade eller modifierade batterier kan bete sig oförutsägbart, vilket kan leda till brand, explosion eller risk för olycksfall.
- **Utsätt inte ett batteripaket eller ett verktyg för eld eller mycket hög temperatur.** Exponering för eld eller temperaturer över 130 °C kan orsaka explosion.
- **Följ alla anvisningar för laddning och ladda inte batterienheten eller verktyget vid en temperatur utanför det intervall som anges i anvisningarna.** Att ladda på felaktigt sätt eller vid temperaturer utanför det angivna intervallet kan skada batteriet och ökar brandrisken.

## UNDERHÅLL

- **Låt en kvalificerad serviceperson serva ditt kraftverktyg med identiska utbytesdelar.** Detta säkerställer att kraftverktygets säkerhet bibehålls.
- **Reparera aldrig skadade batteripaket.** Reparation av batteripaket får endast utföras av tillverkaren eller en auktoriserad serviceverkstad.

## SÄKERHETSVARNINGAR FÖR SLADDLÖS HÄCKTRIMMER

- **Håll alla kroppsdelar borta från sågbladet. Ta inte bort avskuret material och håll inte i material som ska skäras då klingan är i rörelse.** Bladen fortsätter rotera efter att motorn har stängts av. Ett ögonblick av bristande uppmärksamhet vid användning av produkten kan innebära risk för allvarig personskada.

- **Bär häcktrimmern i handtaget med avstängt sågblad och var uppmärksam så att du inte trycker på någon strömbrytare.** Korrekt bärande av häcktrimmern kommer att minska risken för oavsiktlig start och resulterande i personskada från sågbladen.
- **Montera alltid bladskyddet vid transport eller förvaring av häcktrimmern.** Korrekt hantering av häcktrimmern kommer att minska risken för personskada från bladen.
- **Vid avlägsning av material som sitter fast eller vid underhåll av enheten, säkerställ att alla strömbrytare är avstängda och att batteripaketet är borttaget och fränkopplat.** Övontad igångsättning av kantrimmern vid avlägsning av material som sitter fast eller underhåll kan resultera i allvarig personskada.
- **Håll endast häcktrimmern i de isolerade greppyrtorna, eftersom bladet kan komma i kontakt med dolda ledningar.** Blad eller fästelement som vidrör en "strömförande" ledning kan göra att häcktrimmerns exponerade metalldelar blir "strömförande" och kan leda till att användaren drabbas av en elstöt.
- **Håll alla strömsladdar och kablar borta från skärområdet.** Strömsladdar eller kablar kan döljas i häckar eller buskar och kan på misstag kapas av bladet.
- **Använd inte häcktrimmern vid dåliga väderförhållanden, särskilt när det finns risk för blixtnedslag.** Detta minskar risken för att träffas av blixten.

## YTTERLIGARE SÄKERHETSFORESKRIFTER

- **Försök inte skära stjälgår eller kvistar som är tjockare än 22 mm med RY18HT45A eller som är tjockare än 24 mm med RY18HT50A, eller som uppenbarligen är för stora för att matas in i skärbladet.** Använd en ej motordriven handsåg för att kapa grova stammar.
- **Håll alltid produkten ordentligt med båda händerna på de två handtagen under användning.**
- **Se över maskinen inför varje användning.** Kontrollera lösa fästen, bränsleläckage och liknande. Se till att alla skydd och handtag sitter fast ordentligt. Byt ut eventuella skadade delar före användning. Kontrollera läckor från batteriet.
- **Kontrollera häckar och buskar efter främmande föremål, såsom trädstängsel och dolda ledningar.**
- **Produkten får endast användas på marknivå och inte på något annat ostabil stöd.**
- **Använd inte produkten vid dålig belysning.** Operatören måste ha god överblick över arbetsområdet för att upptäcka potentiella faror.
- **När du använder hörselskydd minskar din förmåga att uppfatta varningar (skrik och alarm).** Du måste vara extra uppmärksam på vad som sker i arbetsområdet.
- **Stäng av produkten, ta ur batteripaketet och låt båda svalna. Se till att samtliga rörliga delar har stannat helt:**
  - innan du ändrar arbetsläge för skärmekanismen
  - före service
  - före rensning av en blockering
  - före kontroll av, rengöring av eller arbete med produkten
  - före byte av tillbehör
  - innan produkten lämnas utan uppsikt
  - före du söker efter eventuell skada efter att ha träffat ett föremål

- före du utför något underhåll
  - när maskinen börjar vibrera onormalt
- Tvinga inte produkten igenom grova buskar. Detta kan orsaka att knivbladen fastnar och saktar ned. Om knivarna saktar ned, reducera hastigheten
  - Om produkten tappas, utsätts för hårda slag eller börjar vibrera onormalt mycket ska produkten omedelbart stoppas och kontrolleras för eventuella skador eller orsak till vibrationerna. Eventuella skador ska repareras ordentligt eller bytas ut av ett auktoriserat servicecenter.
  - Använd endast produkten vid temperaturer mellan 0-40 °C.
  - Förvara produkten på en plats där omgivningstemperaturen är mellan 0-40 °C.
  - Risk för person- eller slitageskador vid användning av verktyget under lång tid. Om verktyget används under längre perioder krävs regelbundna pauser.

### YTTERLIGARE SÄKERHETSVARNINGAR FÖR BATTERIER

- För att undvika den fara för brand, personskador eller produktskador som orsakas av en kortslutning, doppa inte ner verktyget, utbytesbatteriet eller laddaren i vätskor och se till att ingen vätska kan tränga in i apparaterna eller batterierna. Korroderande eller ledande vätskor, som saltvatten, vissa kemikalier, blekningsmedel eller produkter som innehåller blekmedel, kan orsaka en kortslutning.
- Ladda batteripaketet på en plats där omgivningstemperaturen är mellan 10-38 °C.
- Förvara batteripaketet på en plats där omgivningstemperaturen är mellan 0-40 °C.
- Använd batteripaketet på en plats där omgivningstemperaturen är mellan 0-40 °C.

### TRANSPORT OCH FÖRVARING

- Stäng av produkten, ta ur batteripaketet och låt produkten svalna innan den förvaras eller transporteras.
- Ta bort allt främmande material från produkten. Förvara produkten på en välventilerad plats som är oåtkomlig för barn. För extra säkerhet ska batteriet förvaras åtskilt från produkten. Håll produkten borta från frätande ämnen, såsom trädgårdskemikalier och vägsalt. Förvara inte produkten utomhus.
- Montera bladskyddet före du förvarar produkten eller vid transport.
- Vid transport ska produkten säkras mot rörelser eller fallande för att förhindra personskador eller att produkten skadas.

### TRANSPORTERA LITIUMBATTERIER

Transportera batterier enligt lokala och nationella riktlinjer och föreskrifter.

Följ alla särskilda krav på förpackning och etikettering vid transport av batterier som utförs av tredje part. Se till att inga batterier kan komma i kontakt med andra batterier eller ledande material under transporten genom att skydda exponerade kontaktytor med isolerande, icke ledande överdrag eller tejp. Transportera aldrig batterier som har spruckit eller som läcker. Kontrollera med det transporterande företaget för vidare rådgivning.

### UNDERHÅLL

- Använd enbart reservdelar och tillbehör från tillverkaren. Om inte kan det eventuellt orsaka skador, sämre resultat och kan upphäva garantin.
- Att serva produkten kräver extrem försiktighet och kunskap och bör endast utföras av en kvalificerad servicetekniker. Produkten får endast repareras på ett auktoriserat servicecenter.
- Skärbladen är extremt vassa. För att förhindra personskador ska stor försiktighet iakttas vid rengöring, smörjning och anpassning eller borttagning av bladskyddet.
- Ta ur batteripaketet före du justerar, utför underhåll eller rengör produkten.
- Du kan göra de justeringar och reparationer som beskrivs i den här manualen. För övrig och reparation, låt endast ett auktoriserat servicecenter utföra dessa arbeten.
- Rengör plastdelar med en mjuk, torr duk efter varje användning.
- Efter varje användning ska skräp rensas bort från bladen med en styv borste, rostskyddsmedel appliceras och bladskyddet fästas på nytt. Tillverkaren rekommenderar användning av rostskyddsmedel i sprayform för jämn fördelning och mindre skaderisk vid kontakt med bladen. Information om lämpligt rostskyddsspray finns hos auktoriserat servicecenter.
- För att vara säker på att produkten är säker att använda, kontrollera alla muttrar, bultar och skruvar regelbundet för att säkerställa att de är åtdragna ordentligt. Skadade delar skall repareras ordentligt eller bytas ut av en auktoriserad servicefirma.

### LÄR KÄNNA PRODUKTEN

Se sida 106.

1. Vakt av blad
2. Avtryckare på framsidan
3. Främre handtag
4. Bakre handtag
5. Avtryckare
6. Blad
7. HEDGESWEEP klippbortföraren
8. Bladskydd
9. Bruksanvisning
10. Batteri
11. Batteriladdare

### SYMBOLER PÅ PRODUKTEN



Säkerhetsvarning



Läs och se till att du förstår alla anvisningar innan du använder produkten. Följ alla varningar och säkerhetsanvisningar.



CE-märkning



Brittisk CE-märkning



EurAsian överensstämmelsesymbol



Ukrainsk CE-märkning



Gamla elektroniska produkter ska inte kastas med hushållssoporna. Återvinn där sådana faciliteter finns. Kontrollera med din lokala myndighet eller säljaren för att få återvinningstips.



Bär ögonskydd



Använd hörselskydd



Utsätt inte för regn eller våta omgivningar.



Använd kraftiga, halkskyddade handskar.



Håll alltid häcktrimmern med båda händerna när du använder den.



För att undvika allvarlig personskada ska inte skärbladen vidröras.



Garanterad ljudeffektsnivå  
(RY18HT50A)



Garanterad ljudeffektsnivå  
(RY18HT45A)



Se upp för kringkastade eller flygande föremål. Alla åskådare, särskilt barn och husdjur, ska befinna sig minst 15 m från arbetsområdet.



Ta bort batteripaketet innan du påbörjar arbete på produkten.

## SYMBOLER I MANUALEN



Varning



OBS

Johdottoman pensasleikkurin suunnittelussa on pidetty etusijalla turvallisuutta, suorituskykyä ja luotettavuutta.

## KÄYTTÖTARKOITUS

Johdoton pensasleikkuri on tarkoitettu käytettäväksi ainoastaan ulkona, kuivissa ja hyvin valaistuissa olosuhteissa.

Tuote on tarkoitettu kotikäyttöön. Laite on tarkoitettu pensasaitojen, pensaiden ja vastaavan kasvillisuuden leikkaamiseen ja trimmaamiseen.

Älä käytä muihin tarkoituksiin.

## TUOTTEEN YLEISET TURVALLISUUSVAROITUKSET

**VAROITUS!** Lue kaikki laitteen mukana toimitetut turvaohjeet, kuvat ja tekniset tiedot. Näiden ohjeiden laiminlyönti voi aiheuttaa onnettomuuksia kuten tulipalon, sähköiskun ja/tai vakavia ruumiinvammoja.

**Säilytä nämä varoitukset ja ohjeet myöhempiä tarvetta varten.**

Varoituksissa termillä "konetyökalu" viitataan sähkö- (johdolliseen) tai akkukäyttöiseen (johdottomaan) tuotteeseen.

## TYÖYMPÄRISTÖ

- **Pidä työalue siistinä ja valoisana.** Epäjärjestyksessä olevat ja pimeät alueet myötävaikuttavat onnettomuuksiin.
- **Älä käytä sähkötyökalua räjähdyksaltissa paikoissa, kuten helposti syttyvien nesteiden tai kaasujen tai pölyn läheisyydessä.** Sähkötyökalut kipinöivät, mikä saattaa sytyttää pölyn tai höyryt.
- **Pidä lapset ja sivulliset loitolla, kun käytät sähkötyökaluja.** Häiriöt voivat saada koneen riestäytymään hallinnasta.

## SÄHKÖTURVALLISUUS

- **Pistokkeen on sovittava pistorasiaan.** Älä koskaan muunna pistoketta millään tavalla. Älä käytä maadoitettujen sähkötyökalujen kanssa minkäänlaisia sovittipistokkeita. Alkuperäiset pistokkeet ja niitä vastaavat pistorasiat pienentävät sähköiskun vaaraa.
- **Älä kosketa maadoitettuihin pintoihin, kuten putkiin, lämpöpattereihin, heloihin tai jääkaappeihin.** Jos ruumiisi on maadoitettu, sähköiskun vaara on suurempi.
- **Älä altista tuotetta sateelle tai kosteudelle.** Sähkötyökaluun joutunut vesi kasvattaa sähköiskun vaaraa.
- **Pidä huolta sähköjohdosta.** Älä koskaan kannata vedä sähkötyökalua johdosta tai irrota pistoketta johdosta vetämällä. Pidä johto etäällä kuumista paikoista, öljystä, terävistä kulumista ja liikkuvista osista. Vioittunut tai takkuinen johto lisää sähköiskun vaaraa.
- **Kun käytät sähkötyökalua ulkotiloissa, käytä ulkokäyttöön sopivaa jatkojohtoa.** Ulkokäyttöön sopivan johdon käyttö pienentää sähköiskun vaaraa.
- **Jos sähkötyökalua on pakko käyttää kosteissa tiloissa, käytä jännönsvirtalaitteella (RCD) suojattua pistorasiaa.** RCD:n käyttö pienentää sähköiskun vaaraa.

## KÄYTTÄJÄN TURVALLISUUS

- **Ole valpas, katso mitä teet ja käytä maalaisjärkeä, kun käytät sähkötyökalua.** Älä käytä sähkötyökalua väsyneenä tai huumeiden, alkoholin tai lääkkeiden vaikutuksen alaisena. Tarkkaamattomuus sähkötyökalua käytettäessä saattaa johtaa vakavaan loukkaantumiseen.
- **Käytä henkilökohtaisia suojavarusteita.** Käytä aina suojalaseja. Suojalaitteet, kuten pölynaamari, luistamattomat suojakengät, kypärä ja kuulosuojaimet vähentävät loukkaantumisen vaaraa.
- **Älä anna koneen käynnistyä vahingossa.** Varmista, että katkaisin on poissa päältä, ennen kuin kytket koneen virtalähteeseen ja/tai akkuun ja ennen kuin nostat tai kannat konetta. Sähkötyökalun kantaminen sormi katkaisimella ja virran kytkeminen koneeseen, joka on päällä, saattaa johtaa onnettomuuksiin.
- **Irrota säätöavaimet ja jokoavaimet ennen sähkötyökalun käynnistystä.** Sähkötyökalun pyöriivään osaan jätetty jako- tai säätöavain saattaa johtaa loukkaantumiseen.
- **Älä kurkota liian pitkälle.** Pysytele tukevasti jaloillasi äläkä kurkota käsivartta liian kauas. Tällöin sähkötyökalua on helpompi hallita odottamattomissa tilanteissa.
- **Älä pukeudu väliin vaatteisiin, kravattiin tai koruihin, jotka voivat juuttua liikkuviin osiin.** Älä käytä välijä vaatteita tai koruja. Estä hiusten tai vaatteiden takertuminen liikkuviin osiin. Löysät vaatteet, korut ja pitkät hiukset saattavat tarttua liikkuviin osiin.
- **Jos laitetta varten on polynpoisto- ja keräyslaite, kytkte se asianmukaisesti ja käytä sitä oikein.** Pölyn kerääminen voi vähentää pölyyn liittyviä vaaroja.
- **Älä ole huolimaton ja laiminlyö turvaohjeita vain siksi, että olet kokenut muiden laitteiden käytössä.** Huolimaton toiminto voi aiheuttaa välittömän loukkaantumisen.

## SÄHKÖTYÖKALUN KÄYTTÖ JA HUOLTO

- **Älä pakota tuotetta.** Käytä työhön sopivaa sähkötyökalua. Asianmukainen sähkötyökalu hoitaa työt paremmin ja turvallisemmin sillä vauhdilla, jota varten se on suunniteltu.
- **Älä käytä sähkötyökalua, jos se ei käynnisty ja sammu katkaisimesta.** Jos sähkötyökalua ei voida hallita katkaisimella, se on vaarallinen ja vaatii korjaamista.
- **Irrota kosketin virtalähteestä ja/tai akkupaketti konetyökalusta aina ennen säätämistä, lisävarusteiden vaihtamista tai työkalun varastoimista.** Tällaiset varoitimet pienentävät sitä vaaraa, että kone käynnistyi vahingossa.
- **Varastoi sähkötyökalu pois lasten ulottuvilta äläkä anna kenenkään, joka ei tunne työkonetta tai näitä ohjeita, käyttää sitä.** Sähkötyökalut ovat vaarallisia kouluttamattomien käyttäjien käsissä.
- **Pidä konetyökalusi lisävarusteineen hyvässä kunnossa.** Tarkista, että liikkuvat osat on kohdistettu oikein ja että ne liikkuvat kunnolla, että osia ei ole rikkoutunut ja että mikään muu seikka ei häitää sähkötyökalun toimintaa. Jos sähkötyökalu vioittuu, korjaa se ennen käyttöä. Onnettomuudet johtuvat usein sähkötyökalujen huonosta huollosta.



- **Pidä leikkuutyökalut terävinä ja puhtaina.** Asianmukaisesti huolletut leikkuutyökalut, joiden leikkuupinnat ovat teräviä, eivät jumiudu helposti ja niitä on helppo hallita.
- **Käytä työkonetta, lisävarusteita, teriä jne. näiden ohjeiden mukaisesti, ja huomioi työolosuhteet ja tehtävän työn laatu.** Työkoneen käyttö muuhun kuin sille tarkoitettuun työhön voi aiheuttaa vaarallisia tilanteita.
- **Pidä kädensijat ja tartuntapinnat kuivina ja puhtaina liasta, öljystä ja rasvasta.** Liukkaat kahvat ja tartuntapinnat tekevät käytöstä vaarallista, eikä laitetta voi hallita odottamattomissa tilanteissa.

#### AKKUTYÖKALUN KUNNOSSAPITO JA KÄYTTÖ

- **Käytä lataukseen ainoastaan valmistajan suosittelemaa laturia.** Yhden tyyppiselle akulle sopivan laturin käyttö toisenlaisen akun kanssa voi olla vaarallista.
- **Käytä sähkötyökalua ainoastaan sitä varten suunniteltujen akkujen kanssa.** Muiden akkujen käyttö voi johtaa loukkaantumiseen ja tulipaloon.
- **Kun akkua ei käytetä, pidä se erillään metalliesineistä, kuten paperiliittimistä, kolikoista, avaimista, nauloista, ruuveista ja muista pienistä metalliesineistä, jotka voivat yhdistää akun navat.** Akun napojen oikosulkeminen voi aiheuttaa palovammoja ja tulipalon.
- **Jos akkua käsitellään väärin, siitä voi vuotaa nestettä; älä kosketa sitä. Jos kosketat sitä vahingossa, huuhtele se vedellä. Jos nestettä pääsee silmiin, hakeudu välittömästi lääkärin hoitoon.** Akusta vuotanut neste voi ärsyttää ihoa ja aiheuttaa palovammoja.
- **Vaurioitunutta tai muunneltua akkua tai työkalua ei saa käyttää.** Vaurioituneet tai muunnellut akut voivat käyttäytyä odottamattomasti, ja ne voivat johtaa tulipaloon, räjähdyksen, varaan tai tapaturmaan.
- **Älä altista akkua tai työkalua tulelle tai liian korkealle lämpötilalle.** Tullelle tai yli 130 °C:n lämpötilalle altistuminen voi johtaa räjähdyksen.
- **Noudata kaikkia latausohjeita äläkä lataa akkua tai työkalua muissa kuin ohjeissa määritellyissä lämpötilaolosuhteissa.** Virheellinen laatus tai määritellyistä poikkeavat lämpötilat saattavat johtaa akun vaurioitumiseen ja lisätä tulipalon vaaraa.

#### HUOLTO

- **Huollata työkone pätevällä huoltomiehellä, joka käyttää ainoastaan asianmukaisia varaosia.** Tämä varmistaa, että sähkötyökalu on turvallinen.
- **Vaurioituneita akkuja ei koskaan saa huoltaa.** Akkuja saa huoltaa vain valmistaja tai valtuutettu huoltoliike.

#### AKKUKÄYTTÖISEN PENSASLEIKKURIN TURVALLISUUSVAROITUKSET

- **Pidä kaikki kehonosat loitolla terästä. Älä poista leikkumateriaalia tai pitele sitä terien liikkuesssa.** Terät jatkavat pyörimistään moottorin sammumisen jälkeenkin. Tarkkaamattomuus tuotetta käytettäessä saattaa johtaa vakavaan loukkaantumiseen.
- **Kanna pensasleikkuria kädensijasta terä pysähtyneenä, ja varo käyttämästä virtakytkintä.**

Pensasleikkurin asianmukainen kantaminen pienentää tahattoman käynnistymisen ja siitä johtuvan terien aiheuttaman henkilövahingon riskiä.

- **Asenna aina teräsuojus, kun kuljetat pensasleikkuria tai laitat sen säilytykseen.** Pensasleikkurin asianmukainen käsittely pienentää henkilövahinkojen riskiä.
- **Kun poistat juuttunutta materiaalia tai huollat laitetta, varmista, että kaikki virtakytkimet ovat pois päältä ja akkupakkaus poistettu tai irtikytketty.** Pensasleikkurin odottamaton toiminta tukoksen selvittämisen tai huoltotoimenpiteen aikana voi johtaa vakavaan henkilövammaan.
- **Pidä pensasleikkurista kiinni vain eristetystä pitopinnasta, sillä terä saattaa koskea piilossa olevia johtoja.** Jos terät koskettavat jännitteellistä johtoa, virta saattaa kulkeutua pensasleikkurin metalliosien kautta käyttäjään ja aiheuttaa sähköiskun.
- **Pidä kaikki virtajohdot ja kaapelit kaukana leikkuualueelta.** Virtajohdot tai -kaapelit voivat olla piilossa pensasaidassa tai pensaissa, jolloin terä voi vahingossa leikata niitä.
- **Älä käytä pensasleikkuria huonolla säällä, varsinkaan, jos on vaaraa salamoinnista.** Tämä pienentää riskiä salamaniskun kohteeksi joutumisesta.

#### MUITA TURVALLISUUSVAROITUKSIA

- **Älä yritä katkaista RY18HT45A:lla varsia tai oksia, jotka ovat paksumpia kuin 22 mm tai RY18HT50A:lla paksumpia kuin 24 mm, tai jotka ovat selvästi liian isoja katkaisuterälle syötettäväksi.** Trimmara paksummat varret käsikäyttöisellä sahalla tai karsintasahalla.
- **Kun käytät tuotetta, pitele aina tiukasti kiinni kahdesta kahvasta molemmin käsin.**
- **Tarkasta laite aina ennen käyttöä.** Tarkista, onko laitteessa löydyä kiinnikkeitä, polttoainevuotoja tms. Varmista, että kaikki suojukset ja kädensijat on kiinnitetty tukevasti. Vaihda kaikki vioittuneet osat ennen käyttöä. Tarkista, onko akussa vuotoja.
- **Tarkista, ettei pensasaidoissa ja pensaissa ole vieraita esineitä, kuten aitalankoja ja piilossa olevia johtoja.**
- **Laitetta saa käyttää vain maanpinnan tasolla, ei millään epävakaalla alustalla.**
- **Älä käytä laitetta huonosti valaistuissa olosuhteissa.** Käyttäjällä on oltava esteetön näkyvyys työalueelle, jotta hän näkee mahdolliset vaaratekijät.
- **Kuulosuojaimet vaikeuttavat varoitusten kuulemista (hälytyksiä ja huutoja).** Käyttäjän on kiinnitettävä enemmän huomiota siihen, mitä työalueella tapahtuu.
- **Sammuta laite, poista akkupakkaus ja anna molempien jäähtyä.** Varmista, että kaikki liikkuvat osat ovat pysähtyneet täysin:
  - ennen leikkuvälineiden työasennon säätämistä
  - ennen huoltoa
  - ennen tukoksen poistamista
  - ennen tuotteen tarkastusta, puhdistusta ja huoltoa
  - ennen lisävarusteiden vaihtamista
  - ennen laitteen luota poistumista
  - tarkista laite vaurioiden varalta aina käytön jälkeen
  - ennen huoltoa
  - Jos tuote alkaa tärinä epänormaalisti





- Älä pakota laitetta vahvan pensaikon läpi. Tämä voi saada terän tarttumaan ja hidastumaan. Jos terät hidastuvat, hidasta tahtia.
- Jos tuote putoaa, saa kovan iskun tai alkaa täristä normaalia enemmän, sammuta se heti ja tarkista se vaurioiden varalta tai paikanna tärinän syy. Valtuutetun huoltopisteen on korjattava tai vaihdettava voittuneet osat asianmukaisesti.
- Käytä sumutinta vain lämpötiloissa 0 °C – 40 °C.
- Säilytä sumutinta paikassa, jossa ympäristön lämpötila on välillä 0 °C – 40 °C.
- Laitteen pitkittynyt käyttö voi aiheuttaa tai vaikeuttaa vammoja. Kun käytät mitä tahansa laitetta pitkiä aikoja, muista pitää säännöllisiä taukoja.

#### MUITA AKUN TURVALLISUUSVAROITUKSIA

- Jotta vältetään lyhytsulun aiheuttama tulipalon, loukkaantumisen tai tuotteen vahingoittumisen vaara, älä koskaan upota työkalua, vaihtoakkuja tai latauslaitetta nesteeseen ja huolehdi siitä, ettei mitään nesteitä pääse tunkeutumaan laitteiden tai akkujen sisään. Syövyttävät tai sähköä johtavat nesteet, kuten suolavesi, tietyt kemikaalit ja lalkaisuaineet tai valkaisuaineita sisältävät tuotteet voivat aiheuttaa lyhytsulun.
- Lataa akku paikassa, jossa ympäristön lämpötila on välillä 10 °C – 38 °C.
- Säilytä akkupakkausta paikassa, jossa ympäristön lämpötila on välillä 0 °C – 40 °C.
- Käytä akkupakkausta paikassa, jossa ympäristön lämpötila on välillä 0 °C – 40 °C.

#### KULJETUS JA VARASTOITAESSA

- Sammuta laite, poista akkupakkaus ja anna laitteen jäähtyä ennen sen varastointia tai kuljetusta.
- Puhdista laitteesta kaikki vieraat materiaalit. Varastoi tuote hyvin tuuletettuun paikkaan, jossa lapset eivät pääse siihen käsiksi. Lisätäkseen turvallisuutta varastoi akku erilleen tuotteesta. Pidä tuote erillään syövyttävistä aineista, kuten puutarhakemikaaleista ja jäänestosuolasta. Älä säilytä laitetta ulkona.
- Laita teräsuojus paikalleen ennen laitteen varastointia tai kuljetuksen ajaksi.
- Kiinnitä tuote kuljetettaessa siten, että se ei pääse liikkumaan tai kaatumaan, jotta välttyä loukkaantumisilta ja vaurioilta.

#### LITIUMAKKIJEN KULJETTAMINEN

Kuljeta akkuja paikallisten ja kansallisten ehtojen ja säädösten mukaisesti.

Noudata kaikkia pakkaamista ja nimeämistä koskevia erikoissäädöksiä, kun kolmas osapuoli kuljettaa akkuja. Varmista, että mikään akku ei kosketa muita akkuja tai johtavaa materiaalia kuljetuksen aikana suojaamalla paljaat navat eristävillä, johtamattomilla korkeilla tai teipillä. Älä kuljeta akkuja, jotka ovat halkeilleet tai vuotavat. Kysy välitysiyrykseltä lisäneuvoja.

#### HUOLTO

- Käytä ainoastaan alkuperäisiä valmistajan tuottamia varaosia, lisälaitteita ja lisävarusteita. Tämän noudattamatta jättäminen voi johtaa loukkaantumiseen ja huonoon tulokseen ja voi mitätöidä takuun.

- Huolto kaipaa suurta huolellisuutta ja hyvää työkalun tuntemusta: Se on annettava pätevän teknikon tehtäväksi. Teetä huollot ainoastaan valtuutetussa huoltoliikkeessä.
- Terät ovat erittäin teräviä. Jotta välttyä loukkaantumiselta, ole erittäin varovainen puhdistaussasi, voidellessasi ja kiinnittäessäsi tai irrottaessasi teränsuojaa.
- Irrota akkupakkaus aina ennen laitteen säätöä, huoltoa tai puhdistusta.
- Voit tehdä tässä käyttöoppaassa kuvattuja säätöjä ja korjauksia. Huollata ja korjata ruohonleikkuri ainoastaan valtuutetussa huoltoliikkeessä.
- Puhdista muoviosat aina käytön jälkeen puhtaalla, kuivalla liinalla.
- Puhdista roskat jokaisen käyttökerran jälkeen teristä kovalla harjalla ja levitä sen jälkeen huolella ruosteenestovoiteluainetta ennen teränsuojuksen kiinnittämistä. Valmistaja suosittelee, että levität ruosteenestoaainetta ja voiteluainetta suihkeena, jotta ne leviäisivät tasaisesti ja jotta välttyisit teriin koskettamisesta aiheutuvasta loukkaantumisvaarasta. Lisätietoja asianmukaisesta suihkeesta saa paikallisesta valtuutetusta huollosta.
- Varmista aina, että ruuvit ja mutterit ovat tiukasti kiinni, jotta tuote olisi aina turvallinen ja käyttövalmis. Valtuutetun huoltopisteen on korjattava tai vaihdettava voittuneet osat asianmukaisesti.

#### TUNNE TUOTTEESI

Katso sivu 106.

1. Teräsuojain
2. Etuliipaisin
3. Etukädensija
4. Takakädensija
5. Liipaisin
6. Terä
7. HEDGESWEEP-puhdistuslaite
8. Terän suojus
9. Manuaalinen leikkuri
10. Akku
11. Laturi

#### TUOTTEESSA OLEVAT SYMBOLIT



Varoitus



Kaikki ohjeet on luettava ja ymmärrettävä ennen tuotteen käyttöä. Noudata varoituksia ja turvallisuusohjeita.



Eurooppalainen vaatimustenmukaisuusmerkintä



Brittiläinen vaatimustenmukaisuusmerkintä



EurAsian-vaatimustenmukaisuusmerkki



Ukrainalainen  
vaatimustenmukaisuusmerkintä



Käytöstä poistettavia sähkölaitteita ei pidä hävittää talousjätteiden mukana. Ne on mahdollisuuksien mukaan pantava kiertoon. Kierrätysohjeita antavat kunnan viranomaiset ja vähittäiskauppiaat.



Käytä silmäsuojaimia



Käytä kuulosuojaimia



Älä altista konetta sateelle tai kosteudelle.



Käytä luisumattomia raskaan käytön suojakäsineitä.



Pitele pensasleikkuria aina kaksin käsin sitä käyttäessäsi.



Älä kosketa teriin, jotta vältyt vakavalta loukkaantumiselta.



Taattu äänenteho (RY18HT50A)



Taattu äänenteho (RY18HT45A)



Varo sinkoutuneita ja muita lentäviä esineitä. Pidä kaikki sivulliset vähintään 15 metrin päässä toiminta-alueelta –erityisesti lapset ja lemmikit.



Irrota akkuyksikkö laitteesta ennen kuin teet siihen mitään toimenpiteitä.

## TÄMÄN KÄSIKIRJAN SYMBOLIT



Varoitus



Huom

Sikkerhet, ytelse og driftssikkerhet er gitt topp prioritet i konstruksjonen av din trådløse heksaks.

### TILTENKT BRUK

Den trådløse hekktrimmeren er kun beregnet til bruk utendørs, ved tørre og godt belyste forhold.

Dette produktet er konstruert for hjemmebruk. Produktet er beregnet til å kutte og trimme hekker, busker og lignende vegetasjon.

Den skal ikke brukes til noe annet formål

### GENERELLE SIKKERHETSADVARSLER FOR PRODUKTET

**⚠ ADVARSEL!** Les alle sikkerhetsadvarsler og -instruksjoner, illustrasjoner og spesifikasjoner som følger med dette produktet. Unnlattelse av å følge dette kan forårsake ulykker som brann, elektrisk støt og/eller alvorlige personskade.

**Ta vare på disse advarslene og instruksene for å se i dem senere.**

Betegnelsen "elektroverktøy" i advarslene refererer til strømledningsdrevet produkt eller batteridrevet (trådløst) produkt.

### ARBEIDSOMGIVELSER

- **Hold arbeidsområdet rent, ryddig og godt opplyst.** Uryddige og dårlig opplyste områder fører lett til ulykker.
- **Ikke bruk elektrisk verktøy i eksplosive atmosfærer, som der det finnes brennbare væsker, gasser eller støv.** Elektrisk verktøy skaper gnister som kan antenne støv eller gasser.
- **Hold barn og andre på avstand når et elektrisk verktøy brukes.** Distraksjon kan føre til tap av kontroll.

### ELEKTRISK SIKKERHET

- **Støpslet på det elektriske verktøyet må stemme med stikkkontakten.** Foreta aldri noen form for endringer av støpslet. Ikke bruk noen form for adapterstøpsel til jordet elektrisk verktøy. Umodifiserte støpsler og passende stikkontakter vil redusere risikoen for elektrisk sjokk.
- **Unngå kroppskontakt med jordede overflater, som vannrør, radiatorer, kokeapparater og kjøleaggregater.** Det er økt risiko for elektrisk støt dersom kroppen din har kontakt med jord.
- **Ikke utsett produktet for regn eller høy fuktighet.** Vann som trenger inn i et elektrisk verktøy vil øke faren for elektrisk støt.
- **Ikke misbruk den elektriske ledningen.** Bruk aldri ledningen til å bære det elektriske verktøyet eller trekke støpslet ut av stikkkontakten. Hold ledningen vekk fra varme, olje, skarpe kanter eller bevegelige deler. Skadet eller sammenfloknet ledning øker risikoen for elektrisk støt.
- **Når du bruker det elektriske verktøyet utendørs, bruk en skjøteledning som er tilpasset utendørs bruk.** Bruk av ledning som er tilpasset utendørs bruk reduserer risikoen for elektrisk støt.
- **Dersom bruk av elektrisk verktøy i fuktige omgivelser ikke er til å unngå, bruk en strømkrets med sikring som er tilpasset verktøyet.** Bruk av strømkrets med sikring reduserer risikoen for elektrisk støt.

### PERSONLIG SIKKERHET

- **Vær våken, se på hva du gjør og bruk fornuft når du arbeider med et elektrisk verktøy.** Ikke bruk elektrisk verktøy når du er sliten eller under påvirkning av narkotiske stoffer, alkohol eller medisiner som kan påvirke din reaksjonsevne og/eller dømmekraft. Et øyeblikks uoppmerksomhet når elektrisk verktøy brukes kan føre til alvorlige personskade.
- **Bruk personlig verneutstyr.** Bruk alltid øyebeskyttelse. Verneutstyr som støvmaske, skliskrike vernesko, hjelm eller hørselsvern brukt i passende sammenhenger vil redusere risikoen for personskade.
- **Unngå utilsiktet start.** Sørg for at bryteren er i posisjon OFF før utstyret kobles til strømmettet og / eller batteripakken, plukkes opp eller bæres. Å bære det elektriske verktøyet med fingeren på startknappen eller koble strøm til et elektrisk verktøy med bryteren i ON inviterer til ulykker.
- **Fjern justeringsnøkler og annet verktøy før du setter strøm på det elektriske verktøyet.** En fastnøkkel eller annet verktøy festet til en roterende del av et elektrisk verktøy når det startes kan føre til personskade.
- **Ikke len deg for langt.** Sørg for godt fotfeste og god balanse til enhver tid. Dette gir bedre kontroll over det elektriske verktøyet i en uventet situasjon.
- **Kle deg riktig.** Ikke bruk løstsittende plagg og/eller løsthengende smykker. Hold hår og klær unna bevegelige deler. Løse plagg, smykker og langt hår kan fanges opp av bevegelige deler.
- **Hvis det finnes tilkoblingsmuligheter for oppsugnings- og oppsamlingsutstyr for støv, sørg for at dette blir tilkoblet og brukt på riktig måte.** Bruk av støvoppsamler kan redusere støvrelatert faresituasjoner.
- **Ikke la hyppig bruk av verktøyet føre til at du blir lettfeilig og ignorerer sikkerhetsprinsipper.** En uforsiktig handling kan føre til alvorlige personskader på en brøkdel av et sekund.

### BRUK OG BEHANDLING AV ELEKTRISK VERKTØY

- **Ikke press maskinen.** Bruk korrekt elektrisk verktøy for jobben som skal gjøres. Riktig elektrisk verktøy vil gjøre jobben bedre og tryggere når det brukes slik det var tiltent.
- **Ikke bruk verktøyet hvis bryteren ikke slår verktøyet av og på.** Ethvert elektrisk verktøy som ikke kan kontrolleres med bryteren er farlig og må repareres før det kan brukes.
- **Før du gjør justeringer på elektroverktøy, bytter tilbehør eller setter verktøyet bort, må du trekke pluggen ut av strømkilden eller fjerne batteriet hvis dette lar seg gjøre.** Slike forebyggende sikkerhetstiltak reduserer risikoen for utilsiktet start av det elektriske verktøyet.
- **Oppbevar elektrisk verktøy som ikke brukes utenfor barns rekkevidde og la ikke personer som ikke er kjent med det elektriske verktøyet eller dets instruksjoner bruke det.** Elektrisk verktøy er farlig i hendene på uerfarne brukere.
- **Sørg for at elektroverktøy og tilbehør alltid er i god stand.** Kontroller for feilinnretting og at bevegelige deler løper fritt, at det ikke finnes ødelagte deler og enhver annen tilstand som kan påvirke det elektriske verktøyet drift. Hvis skadet må det elektriske verktøyet repareres før bruk. Mange ulykker skyldes dårlig vedlikeholdt elektrisk verktøy.



- **Hold skjæreredskap skarpe og rene.** Korrekt vedlikeholdt skjæreverktøy med skarpe skjærekanter har mindre mulighet for å blokkere seg og er lettere å kontrollere.
- **Bruk det elektriske verktøyet, tilbehøret, verktøybits etc i henhold til disse instruksjonene, der du tar hensyn til arbeidsforholdene og det arbeidet som skal utføres.** Bruk av elektrisk verktøy på en måte det ikke var tiltenkt kan skape farlige situasjoner.
- **Hold håndtak og andre holdeoverflater tørre, rene og fri for olje og smøring.** Unngå at håndtak og andre holdeoverflater er glatte for det reduserer sikker håndtering og styring av verktøyet i uforutsette situasjoner.

#### PLEIE OG BRUK AV BATTERI

- **Lad bare med ladere som er spesifisert av produsenten.** En lader som passer til en type batteripakke kan skape risiko for brann dersom den brukes til en annen type batteripakke.
- **Bruk pateriprodukter kun med spesielt tiltenkte batteripakker.** Bruk av andre batteripakker kan føre til risiko for skade og brann.
- **Når batteripakken ikke er i bruk, hold den vække fra metallgjenstander som binders, mynter, nøkler, spiker, skruer og annet som kan forbinde de to terminalene med hverandre.** Kortslutning av batteriterminalene kan føre til brenning eller brann.
- **Ved feil bruk av batteriet kan det slippe ut væske.** Hvis du får kontakt med væsken fra batteriet, skyll med rikelige mengder vann. Hvis væsken får kontakt med øynene må det søkes medisinsk hjelp. Væske som kommer ut av batteriet kan føre til irritasjon eller brannskår.
- **Ikke bruk et batteri eller verktøy som er skadet eller endret.** Batterier som er skadd eller endret, kan oppføre seg uforutsigbart, noe som kan føre til brann, eksplosjon og personskaade.
- **Ikke utsett batteriet eller verktøyet for ild eller høy temperatur.** Eksponering for brann eller temperatur over 130 °C kan føre til eksplosjon.
- **Alle ladeinstruksjoner må følges. Ikke lad batteriet eller verktøyet hvis omgivelsestemperaturen er utenfor området som er angitt i bruksanvisningen.** Feil lading eller lading ved temperaturer utenfor det angitte området kan ødelegge batteriet og øke risikoen for brann.

#### VEDLIKEHOLD

- **Sørg for at reparasjoner og vedlikehold av ditt elektriske verktøy utføres av kvalifiserte teknikere som kun bruker originale erstatningsdeler.** Dette vil sørge for at sikkerheten med det elektriske verktøyet ivaretas.
- **Aldri utfør vedlikehold på skadde batteripakker.** Vedlikehold av batterier skal bare utføres av produsenten eller autoriserte serviceleverandører.

#### SIKKERHETSADVARSLER FOR TRÅDLØS HEKKTRIMMER

- **Hold alle kroppsdeler på avstand fra bladet. Ikke fjern avkappet materiale eller hold ting som skal klippes mens knivene beveger seg.** Bladene fortsetter å rotere selv etter at motoren er slått av. Et øyeblikk med uoppmerksomhet under bruk av produktet kan føre til alvorlige personskaader.

- **Bær hekketrimmeren etter håndtaket med bladet stoppet, og se til at du ikke bruker noen strømbrytere.** Riktig håndtering av hekketrimmeren vil redusere risikoen for å utilsiktet starte og medføre personlig skade fra bladene.
- **Ved transport eller lagring av hekketrimmeren, monter alltid bladdekslet.** Riktig håndtering av hekketrimmeren vil redusere risikoen for personskaader fra bladene.
- **Ved rengjøring av fastkjørt materiale eller ved service av enheten, se til at alle strømbrytere er av og at batteripakken er fjernet eller frakoblet.** Uventet aktivering av hekketrimmeren under fjerning av fastkjørt materiale eller service kan føre til alvorlig personskaade.
- **Hold hekketrimmeren kun etter isolerte gripeoverflater, fordi bladet kan komme i kontakt med skjult kabling.** Blader som kommer i kontakt med en strømførende ledning kan gjøre eksponerte metalldeleer på hekketrimmeren strømførende og gi operatøren et elektrisk støt.
- **Hold alle strømledninger og kabler på avstand fra kutteområdet.** Strømledninger eller kabler kan være skjult i hekker eller busker og kan kuttes av bladet ved uhell.
- **Ikke bruk hekketrimmeren under dårlige værforhold, spesielt når det er fare for lyn.** Dette øker risikoen for å bli truffet av lynet.

#### SPESIELLE SIKKERHETSADVARSLER

- Ikke gjør forsøk på å kutte stammer eller grener er større enn 22 mm tykke for 22 mm tykk for RY18HT45A eller 24 mm tykke for RY18HT50A, eller er tydelig for store for å mate inn i kuttebladet. Bruk en manuell hånsgag eller grensag for å kappe tykke stammer eller grener.
- Mens du bruker produktet, må du alltid ha et godt grep om begge håndtakene.
- Sjekk maskinen før hver bruk. Sjekk for løse fester, drivstofflekkasjer osv. Påse at alle deksler og håndtak er korrekt og trygt montert. Erstatt alle skadede deleer før fortsatt bruk. Sjekk for lekkasjer fra batteripakken.
- Kontroller hekkene og buskene for fremmedlegemer, slik som vaiergjerder og skjult kabling.
- Produktet må kun brukes ved bakkenivå og ikke på noen annen, ustabil støtte.
- Ikke bruk produktet ved dårlige lysforhold. Operatøren må ha klar sikt over arbeidsfeltet for å identifisere potensielle farer.
- Bruk av hørselsvern reduserer muligheten for å høre advarsler (rop eller alarmer). Brukeren må være ekstra oppmerksom med hensyn til hva som skjer på arbeidsområdet.
- Slå av produktet, ta ut batteripakken og la begge kjøles ned. Påse at alle bevegelige deleer har stoppet helt:
  - før justering av arbeidsposisjonen for kutteutstyr
  - før betjening
  - før rengjøring av en blokkering
  - før kontroll, rensing og arbeider på produktet
  - før endring av tilbehør
  - før produktet etterlates uten oppsyn
  - før kontroll om eventuell skade etter å ha truffet en gjenstand



- før utføring av vedlikehold
  - hvis produktet starter å vibrere unormalt
- Produktet skal ikke tvinges gjennom store buskas og kratt. Dette kan føre til at bladet blokkeres og saktner hastigheten. Hvis hastigheten på bladet synker, reduser klippehastigheten.
  - Dersom produktet faller i bakken, får et sterkt slag eller starter å vibrere unormalt, stans produktet omgående og sjekk for skader eller finn ut hva som er årsaken for vibrasjonene. Enhver skade må repareres helt eller delen skiftes av et autorisert serviceverksted.
  - Betjen produktet kun ved temperaturer mellom 0 °C og 40 °C.
  - Oppbevar produktet på et sted der omgivelsestemperaturen er mellom 0 °C og 40 °C.
  - Hvis man bruker verktøyet for lenge av gangen, kan det føre til eller forverre allerede eksisterende personskaade. Når du bruker et verktøy over en lenger tidsperiode, husk å ta regelmessige pauser.

### EKSTRA SIKKERHETSINSTRUKSER FOR BATTERI

- For å unngå fare for en brann forårsaket av en kortslutning, av personskaade eller skader av produktet, må det forhindres at batteripakken eller laderen dypes i væsker og også sørges for at ingen væsker kan komme inn i apparatene eller batteriene. Korroderende og ledende væsker som saltvann, visse kjemikalier og blekemidler eller produkt som inneholder blekemidler kan forårsake en kortslutning.
- Lad batteripakken på et sted der omgivelsestemperaturen er mellom 10 °C og 38 °C.
- Oppbevar batteripakken på et sted der omgivelsestemperaturen er mellom 0 °C og 40 °C.
- Bruk batteripakken på et sted der omgivelsestemperaturen er mellom 0 °C og 40 °C.

### TRANSPORT OG LAGRING

- Slå av produktet, ta ut batteripakken og la det kjøles av før lagring eller transport.
- Fjern alle fremmedelementer fra produktet. Oppbevar maskinen i et godt ventilert rom der barn ikke har tilgang. For ekstra sikkerhet, oppbevar batteriet separat fra produktet. Hold avstand til korroderende midler som havekjemikalier og avisingssalt. Produktet skal ikke oppbevares utendørs.
- Monter bladdekslet før du lagrer produktet eller under transport.
- Ved transport må produktet sikres mot å komme i bevegelse eller falle for å unngå skade på personer eller produktet.

### TRANSPORTERE LITUM-BATTERIER

Transporter batterier i henhold til lokale og nasjonale lover og forskrifter.

Følg alle spesialkrav med hensyn til emballering og merking når batterier transporteres av en tredjepart. Påse at ingen batterier kan komme i kontakt med andre batterier eller ledende materialer under transporten ved å beskytte åpne kontakter med isolasjon, ikkeledende lokk eller tape. Ikke transporter batterier som er sprukne eller som lekker. Kontakt spedtøren for å få ytterligere råd.

### VEDLIKEHOLD

- Bruk kun produsentens originale reservedeler, tilleggsutstyr og påsatser. Dersom dette ikke følges, kan det forårsake personskaade, dårlig funksjon og kan annullere garantien din.
- Service krever meget stor forsiktighet og kunnskap og bør utføres kun av kvalifisert teknisk personale. Få utført service på produktet kun av et autorisert servicesenter.
- Kappeknivene er ekstremt skarpe. For å unngå personskaade, vær meget forsiktig når du rengjør, smører og setter på eller fjerner bladbeskyttelsen.
- Fjern batteripakken før du justerer, opprettholder eller rengjør produktet.
- Du kan foreta justeringer og reparasjoner som er beskrevet i denne brukermanualen. For andre reparasjoner må du henvende deg til et autorisert servicesenter.
- Etter hver bruk skal plastdelene rengjøres med en myk, tørr klut.
- Etter hvert bruk, fjern avfall fra bladene med en stiv børste og påfør forsiktig antirustsmøring før du setter på bladbeskyttelsen igjen. Produsenten anbefaler at du påfører smørespray med antirustfunksjon som en jevn hinne og dermed minsker faren for personskaade. For mer informasjon om passende sprayprodukter, ta kontakt med ditt lokale autoriserte servicesenter.
- Kontroller all mutter, bolter og skruer med jevne mellomrom at de er skrudd fast for å sikre at produktet er i driftssikker stand. Enhver del som er skadet må repareres eller skiftes ut på fagmessig måte ved et autorisert serviceverksted.

### KJENN PRODUKTET DITT

Se side 106.

1. Bladhylse
2. Fremre avtrekker
3. Fremre håndtak
4. Bakre håndtak
5. Avtrekker
6. Blad
7. HEDGESWEEP avfallsfjerner
8. Knivdeksel
9. Brukermanual
10. Batteri
11. Lader

### SYMBOLER PÅ PRODUKTET



Sikkerhetsalarm



Les og forstå alle instruksjoner før du betjener produktet. Følg alle advarsler og sikkerhetsanvisninger.



Europeisk samsvarsmerking



Britisk samsvarsmerking



EurAsian samsvarsmerke



Ukrainsk samsvarsmerking



Avfall fra elektriske produkter skal ikke kastes sammen med husholdningsavfall. Vennligst resirkulervedeksisterende avfallsbehandlingssted. Undersøk hos dine lokale myndigheter eller forhandler for råd om resirkulering.



Bruk øyebeskyttelse



Bruk hørselsvern



Ikke utsette for regn eller fuktige forhold.



Bruk sklisikre og kraftige beskytteshansker.



Hold alltid heksaksen med begge hender når den brukes.



For å hindre alvorlige personskader, ikke ta på kuttebladene.



Garantert lydeffektnivå (RY18HT50A)



Garantert lydeffektnivå (RY18HT45A)



utkastedePass opp for gjenstander som slynges ut eller flyr i luften. Hold alle tilskuere, spesielt barn og kjæledyr, på en avstand på minst 15 m fra driftsområdet.



Fjern batteripakken før du starter arbeid på produktet.

## SYMBOLER I DENNE MANUALEN



Advarsel



Merk



При разработке этого беспроводного кустореза особое внимание уделялось безопасности, производительности и надежности.

### НАЗНАЧЕНИЕ

Беспроводной кусторез предназначен для использования только вне помещений в сухих условиях при достаточном освещении.

Изделие предназначено для домашнего использования. Изделие предназначено для обрезки и стрижки живой изгороди, кустов и аналогичной растительности.

Не используйте устройство для каких-либо иных целей.

### ОБЩИЕ ПРАВИЛА ТЕХНИКИ БЕЗОПАСНОСТИ ПРИ ИСПОЛЬЗОВАНИИ ИЗДЕЛИЯ

**⚠ ОСТОРОЖНО!** Ознакомьтесь со всеми инструкциями по технике безопасности, иллюстрациями и техническими характеристиками, входящими в комплект изделия. Несоблюдение всех инструкций, указанных ниже, может привести к поражению электрическим током, пожару и / или телесному повреждению.

Сохраните все предупреждения и инструкции по технике безопасности для последующего использования.

Термин "электроинструмент" в предупреждениях означает изделие, работающее от электрической сети (проводное) или аккумулятора (беспроводное).

### БЕЗОПАСНОСТЬ НА РАБОЧЕМ МЕСТЕ

- Рабочая зона должна быть свободна и хорошо освещена. Загромождение или плохое освещение рабочей зоны может привести к несчастным случаям.
- Не используйте электроинструмент во взрывоопасной среде, например в присутствии легковоспламеняющихся жидкостей, газов или пыли. В электроинструментах происходит искрообразование, что может привести к воспламенению пыли или газа.
- Не допускайте присутствия детей и посторонних лиц при работе с инструментом. Невнимательность может привести к утрате контроля.

### ЭЛЕКТРОБЕЗОПАСНОСТЬ

- Вилка кабеля питания инструмента должна соответствовать используемой розетке. Не подвергайте вилку кабеля каким-либо изменениям. Не используйте какие-либо переходники с электроинструментами с заземляющим проводом. Использование оригинальных штепсельных вилок и соответствующих розеток предотвращает опасность поражения электрическим током.
- Не допускайте контакта частей тела с поверхностями заземленных предметов, таких как трубы, радиаторы отопления, кухонные плиты, холодильники. При соприкосновении частей тела человека с заземленными участками возрастает опасность поражения электрическим током.
- Не допускайте попадания влаги на изделие и не используйте его во влажной атмосфере. Попавшая внутрь инструмента вода повышает опасность поражения электрическим током.

- Обращайтесь с кабелем питания надлежащим образом. Не используйте кабель для переноски, перемещения или отключения инструмента от сети питания. Оберегайте кабель от источников тепла, масляных и острых предметов и движущихся деталей. Поврежденные или запутанные провода повышают опасность поражения электрическим током.
- При работе с электроинструментом вне помещений пользуйтесь удлинительным кабелем, предназначенным для наружного применения. Использование кабеля, предназначенного для наружного применения, снижает опасность поражения электрическим током.
- Если нет возможности избежать работы в условиях повышенной влажности, подключайте инструмент через устройство защитного отключения. При использовании устройства защитного отключения снижается опасность поражения электрическим током.

### ЛИЧНАЯ БЕЗОПАСНОСТЬ

- Соблюдайте осторожность, следите за своими действиями и пользуйтесь здравым смыслом при работе с электроинструментом. Не пользуйтесь инструментом в состоянии усталости или под воздействием наркотических средств, алкоголя или медицинских препаратов. Малейшая невнимательность при работе с инструментом может привести к тяжкому телесному повреждению.
- Используйте средства индивидуальной защиты. Всегда надевайте средства защиты зрения. Средства защиты, такие как пылезаститная маска, нескользящая защитная обувь, шлем-каска, средства защиты органов слуха, используемые надлежащим образом, снижают опасность телесного повреждения.
- Не допускайте случайного запуска. Перед подключением к источнику питания или установкой аккумуляторной батареи, подъемом или перемещением инструмента убедитесь, что переключатель находится в положении «выключено». Во избежание несчастных случаев при перемещении инструмента не держите пальцы на переключателе инструмента и не подключайте его к источнику питания при включенном положении переключателя.
- Перед включением инструмента уберите все регулировочные и гаечные ключи. Гаечные или регулировочные ключи, оставленные на вращающихся частях инструмента, могут привести к телесному повреждению.
- Не перенапрягайте. Старайтесь сохранять устойчивость и подыскивайте твердую опору. Это обеспечивает лучшую управляемость электроинструментом в непредвиденных ситуациях.
- Одевайтесь соответствующим образом. Не надевайте свободную одежду и украшения. Не допускайте попадания волос и одежды в подвижные детали. Свободная одежда, украшения и длинные волосы могут попасть в движущиеся части.





- Если в инструменте предусмотрено использование устройства удаления и сбора пыли, обеспечьте их надежное крепление и надлежащее использование. Использование пылесборника снижает опасность, связанную с пылеобразованием.
- Не нарушайте правила техники безопасности, даже несмотря на длительный опыт работы с инструментами. Неосторожное действие может стать причиной тяжелых травм в течение доли секунды.

#### ИСПОЛЬЗОВАНИЕ И ОБРАЩЕНИЕ С ИНСТРУМЕНТОМ

- Не прикладывайте чрезмерных усилий при работе с данным инструментом. В каждом случае используйте надлежащий электроинструмент. Правильно выбранный электроинструмент позволяет выполнить работу, для которой он предназначен, более качественно и более безопасно.
- Не пользуйтесь инструментом, если выключатель не включается или не выключается. Любой электроинструмент, не управляемый выключателем, представляет опасность и должен быть отремонтирован.
- Перед регулировкой, заменой принадлежностей и помещением электроинструмента на хранение отсоедините вилку от источника питания и/или извлеките аккумуляторный блок (если это возможно). Такие меры предосторожности помогут предотвратить опасность случайного пуска инструмента.
- Храните неиспользуемые электроинструменты в месте, недоступном для детей, а также не допускайте к использованию данного инструмента лиц, не знакомых с его работой или не ознакомленных с данными инструментами инструкциями. Инструмент в руках неподготовленного лица представляет опасность.
- Электроинструменты и принадлежности необходимо обслуживать. Проверяйте инструмент на отсутствие перекосов или заклинивания движущихся частей, их неисправности или других причин, которые могут отразиться на работе инструмента. При повреждении инструмента перед его дальнейшим использованием его следует отремонтировать. Многие несчастные случаи вызваны ненадлежащим обращением с инструментом.
- Содержите режущее устройство в чистоте и заточенном виде. При надлежащем техническом обслуживании режущего инструмента снижается вероятность застревания режущих частей и облегчается управляемость.
- Используйте инструмент, принадлежности, насадки и т.п. в соответствии с данными указаниями, и принимая во внимание условия работы и выполняемую работу. Использование данного электроинструмента не по назначению может создать опасную ситуацию.
- Держите ручки и поверхности захватывания сухими, чистыми, не допускайте попадания на них смазочных веществ. Скользкие ручки и поверхности захватывания не позволяют безопасно управлять и контролировать инструмент в непредвиденных ситуациях.

#### ТЕХНИЧЕСКОЕ ОБСЛУЖИВАНИЕ И ИСПОЛЬЗОВАНИЕ АККУМУЛЯТОРА

- Зарядку выполняйте только с использованием зарядного устройства, указанного изготовителем. Зарядное устройство, подходящее к одному типу аккумуляторных батарей, может создать опасность возгорания при использовании с аккумуляторными батареями другого типа.
- Используйте электрические устройства только со специально предназначенными для них аккумуляторными батареями. Использование аккумуляторных батарей другого типа может привести к телесным повреждениям или возгоранию.
- Если аккумуляторная батарея не используется, храните ее отдельно от других металлических предметов, например канцелярских скрепок, монет, ключей, гвоздей, винтов и других мелких металлических предметов, которые могут привести к замыканию контактов батареи. Замыкание контактов батареи может вызвать ожоги или привести к возгоранию.
- При ненормальных условиях из батареи может вытечь жидкость, избегайте контакта с ней. Если этого избежать не удалось, смойте жидкость водой. Если жидкость попала в глаза, после их промывания обратитесь за медицинской помощью. Жидкость, вытекшая из батареи, может вызвать раздражение или ожог.
- Не используйте поврежденный или модифицированный аккумуляторный блок и инструмент. Поврежденные или модифицированные аккумуляторы могут вести себя непредсказуемо, что может привести к пожару, взрыву или послужить причиной травмы.
- Запрещается подвергать аккумуляторный блок или инструмент воздействию огня и высокой температуры. Воздействие огня или температуры выше 130°C может привести к взрыву.
- Заряжайте аккумуляторные блоки и инструмент в соответствии с инструкцией, не подвергая их при этом воздействию температур вне диапазона, указанного в инструкции. Несоблюдение инструкций и зарядка при воздействии температур вне диапазона, указанного в инструкции, может привести к повреждению аккумулятора и повысить риск возгорания.

#### ОБСЛУЖИВАНИЕ

- Техническое обслуживание и ремонт инструмента должно выполняться только квалифицированным специалистом с использованием взаимозаменяемых запасных частей. Это обеспечит нормальное техническое состояние устройства.
- Обслуживание аккумуляторных блоков с признаками повреждения не допускается. Обслуживание аккумуляторных блоков должно выполняться производителем или авторизованным сервисным центром.

#### ТРЕБОВАНИЯ БЕЗОПАСНОСТИ ПРИ ИСПОЛЬЗОВАНИИ БЕСПРОВОДНОГО КУСТОРЕЗА

- Не прикасайтесь к лезвию. Не пытайтесь удалить материал резания или удерживать разрезаемый материал при работающих режущих полотнах.





Ножи продолжают вращаться после выключения двигателя. Малейшая невнимательность при работе с устройством может привести к серьезным травмам.

- **Переноска кустореза должна осуществляться за рукоятку, с выключенным лезвием; при этом необходимо соблюдать осторожность, чтобы не активировать ни один из выключателей питания.** Правильная переноска кустореза снижает риск произвольного запуска и получения травмы от соприкосновения с лезвиями.
- **При транспортировке или размещении кустореза на хранение всегда устанавливайте на лезвие защитный чехол.** Надлежащая эксплуатация кустореза снижает риск получения травмы от соприкосновения с лезвиями.
- **При удалении застрявшего материала или техническом обслуживании блока убедитесь в том, что все выключатели питания находятся в положении "Выкл.", а аккумуляторный блок извлечен либо отсоединен.** Непреднамеренное срабатывание триммера в процессе извлечения застрявшего материала или при проведении технического обслуживания может привести к серьезной травме.
- **Удерживайте кусторез только за изолированные захватные поверхности, поскольку лезвие может задеть скрытые провода.** Лезвия при соприкосновении с проводкой под напряжением могут получить электрический заряд и причинить оператору электротравму.
- **Не допускайте попадания шнуров и кабелей питания в рабочую зону.** Шнуры или кабели питания могут быть спрятаны в живой изгороди или кустах и существует риск их непреднамеренного повреждения лезвием.
- **Запрещается использовать кусторез в непогоду, особенно во время молнии.** Это снижает риск удара молнии.

#### ДОПОЛНИТЕЛЬНЫЕ УКАЗАНИЯ ПО БЕЗОПАСНОСТИ

- Не пытайтесь срезать стебли или ветви толщиной более 22 мм (для RY18HT45A) и более 24 мм (для RY18HT50A), либо очевидно превышающей прочность ножа. Для обрезания больших стеблей используйте ручную пилу или ножовку.
- Во время эксплуатации изделия всегда крепко держите его обеими руками за две ручки.
- Проверяйте устройство перед каждым использованием. Проверьте надежность креплений, наличие утечки топлива и т. д. Проверьте правильность установки и надежность крепления всех защитных устройств, и ручек. Перед использованием замените поврежденные детали. Проверьте аккумуляторную батарею на отсутствие протечки.
- Осматривайте ограды и кусты на предмет посторонних объектов, таких как проволочная решетка и скрытая проводка.
- Изделие необходимо использовать только на уровне земли; установка на неустойчивые поверхности не допускается.
- Использование изделия в условиях слабого освещения не допускается. Оператор должен

четко видеть рабочую зону в целях выявления потенциальных опасностей.

- Использование средств защиты органов слуха снижает способность услышать предупреждения (крики или сигналы). Работающий уделять повышенное внимание к происходящему в зоне работы.
- Выключите изделие, извлеките аккумуляторный блок и дайте им остыть. Убедитесь в полной остановке всех движущихся деталей:
  - перед сменой рабочего положения режущих инструментов
  - перед техническим обслуживанием
  - перед устранением засора
  - перед проверкой, чисткой и техобслуживанием продукта;
  - перед заменой принадлежностей
  - перед тем, как оставить инструмент без присмотра
  - перед проверкой наличия повреждений в случае удара о какой-либо предмет
  - перед выполнением технического обслуживания
  - если продукт начинает вибрировать
- Использование изделия для резки густого кустарника не допускается. Это может привести к зажиму и замедлению работы режущих полотен. Если движение режущих полотен замедляется, уменьшите ход работы.
- Если устройство уронили, оно издает громкий стук или начинает чрезмерно вибрировать, немедленно остановите его и проверьте на наличие повреждений или выясните причину вибрации. Любые поврежденные детали должны быть надлежащим образом отремонтированы или заменены в авторизованном сервисном центре.
- Рабочий диапазон изделия: от 0°C до 40°C.
- Храните изделие при температуре воздуха от 0°C и 40°C.
- Слишком продолжительное использование инструмента может привести к травме. При использовании инструмента в течение длительного времени делайте регулярные перерывы.

#### ТРЕБОВАНИЯ БЕЗОПАСНОСТИ ПРИ ИСПОЛЬЗОВАНИИ ДОПОЛНИТЕЛЬНОЙ АККУМУЛЯТОРНОЙ БАТАРЕИ

- Для предотвращения опасности пожара в результате короткого замыкания, травм и повреждения изделия не опускайте инструмент, сменный аккумулятор или зарядное устройство в жидкости и не допускайте попадания жидкостей внутрь устройств или аккумуляторов. Коррозионные и проводящие жидкости, такие как соленый раствор, определенные химикаты, отбеливающие средства или содержащие их продукты, могут привести к короткому замыканию.
- Заряжайте аккумуляторный блок при температуре воздуха от 10°C до 38°C.
- Храните аккумуляторный блок при температуре воздуха от 0°C и 40°C.
- Эксплуатация аккумуляторного блока допускается при температуре воздуха от 0°C и 40°C.

## ТРАНСПОРТИРОВКА И ХРАНЕНИЕ

- Перед размещением на хранение или транспортировкой выключите изделие, извлеките аккумуляторный блок и дождитесь остывания изделия.
- Очистите устройство от всех посторонних материалов. Храните устройство в хорошо проветриваемом месте, недоступном для детей. В целях дополнительной безопасности храните батарею отдельно от устройства. Оберегайте от веществ, вызывающих коррозию, например, садовых удобрений или соли для удаления льда. Запрещается хранить изделие на улице.
- Перед размещением на хранение и транспортировкой изделия установите предохранитель лезвия.
- Для транспортировки закрепите изделие так, чтобы оно не могло перемещаться или упасть во избежание травмирования персонала или повреждения изделия.

## ПЕРЕВОЗКА ЛИТIEВЫХ БАТАРЕЙ

Транспортировку батареи осуществляйте в соответствии местными и национальными нормами и положениями.

Следуйте всем особым требованиям к упаковке и маркировке при транспортировке батареи в сторонние организации. Проверьте, чтобы батарея не соприкасалась с другими батареями или токопроводящими материалами во время транспортировки, защитив открытые контакты с помощью изоляции, непроводящих колпачков или пленки. Не транспортируйте поврежденные или протекающие батареи. За консультацией обращайтесь в транспортно-экспедиционную компанию.

## ОБСЛУЖИВАНИЕ

- Используйте только оригинальные запчасти, аксессуары и насадки от производителя. Невыполнение этого требования может привести к травме, к снижению производительности и к аннулированию гарантии.
- Обслуживание требует чрезвычайной заботы и знания и должно быть выполнено только квалифицированным техником обслуживания. Обратитесь в авторизованный сервисный центр.
- Режущие лезвия чрезвычайно острые. Во избежание травм проявляйте крайнюю осторожность при очистке, смазке и установке или снятии защитного устройства для лезвия.
- Перед выполнением настройки, технического обслуживания и очистки изделия извлеките аккумуляторный блок.
- Вы можете также выполнить другие виды регулировки и ремонтные работы, описанные в данном руководстве. Ремонтные работы должны осуществляться только в авторизованном сервисном центре.
- После каждого использования протирайте пластиковые детали сухой тканью.
- После каждого использования, очистите лезвия от мусора жесткой щеткой, а затем аккуратно нанесите на него антикоррозионную смазку перед установкой защитного приспособления для

лезвия. Производитель рекомендует использовать антикоррозионную распыляемую смазку, чтобы нанести ровный слой и снизить риск получения травмы от контакта с лезвиями. Для получения информации о подходящих распыляемых смазках свяжитесь с местным авторизованным сервисным центром.

- Проверить все болты, задвижки, и винты, через короткие интервалы, на надлежащую плотность, чтобы убедиться, что изделие находится в безопасном, рабочем состоянии. В случае повреждения какой-либо детали необходимо обратиться в авторизованный сервисный центр для выполнения надлежащего ремонта или замены.

## ИЗУЧИТЕ УСТРОЙСТВО

См. стр. 106.

1. Предохранительный колпак для режущего устройства
2. Фронтальный курковый переключатель
3. Передняя ручка (280 mm / 330 mm)
4. Задняя ручка
5. Курковый выключатель
6. Пильное полотно
7. Подметальная для мусора HEDGESWEEP
8. Крышка режущего полотна
9. Руководство оператора
10. Аккумулятор
11. Зарядное устройство

## УСЛОВНЫЕ ОБОЗНАЧЕНИЯ НА ПРОДУКТЕ



Внимание



Перед началом работы с изделием внимательно ознакомьтесь со всеми инструкциями. Соблюдайте технику безопасности.



Знак соответствия европейским стандартам



Знак соответствия стандартам Великобритании



Знак Евразийского Соответствия



Знак соответствия Украины



Отработанная электротехническая продукция должна уничтожаться вместе с бытовыми отходами. Утилизируйте, если имеется специальное техническое оборудование. По вопросам утилизации проконсультируйтесь с местным органом власти или предприятием розничной торговли.



Используйте средства защиты органов зрения



Следует надевать средства защиты органов слуха



Не подвергайте инструмент воздействию дождя и не используйте в условиях повышенной влажности.



Надевайте нескользящие защитные перчатки для тяжелых условий работы.



При работе удерживайте шпалерные ножницы обеими руками.



Во избежание серьезных травм не касайтесь режущих лезвий.



Гарантируемый уровень звуковой мощности (RY18HT50A)



Гарантируемый уровень звуковой мощности (RY18HT45A)



Помните об опасности, которую представляют собой отбрасываемые устройством или вылетающие из-под него предметы. Не допускайте приближения посторонних лиц, особенно детей и домашних животных к рабочей зоне ближе чем на 15 м



Перед запуском и использованием изделия извлеките аккумуляторный блок.

### УСЛОВНЫЕ ОБОЗНАЧЕНИЯ В ДАННОМ РУКОВОДСТВЕ



Осторожно



Примечание

### Транспортировка:

Категорически не допускается падение и любые механические воздействия на упаковку при транспортировке.

При разгрузке/погрузке не допускается использование любого вида техники, работающей по принципу зажима упаковки.

### Хранение:

Необходимо хранить в сухом месте.

Необходимо хранить вдали от источников повышенных температур и воздействия солнечных лучей.

При хранении необходимо избегать резкого перепада температур.

Хранение без упаковки не допускается.

### Срок службы изделия:

Срок службы изделия составляет 5 лет.

Не рекомендуется к эксплуатации по истечении 5 лет хранения с даты изготовления без предварительной проверки.

**Дата изготовления** (код даты) отштампован на поверхности корпуса изделия.

Пример:

W17 Y2015, где Y2015 - год изготовления

W17 – неделя изготовления

Определить месяц изготовления можно согласно приведенной ниже таблице, на примере 2015 года.

**Обратите внимание!** Количество недель в месяце различается от года в год.

Месяц	Январь	Февраль	Март	Апрель	Май	Июнь	Июль	Август	Сентябрь	Октябрь	Ноябрь	Декабрь	Год
Неделя	01	05	09	14	18	22	27	31	36	40	44	49	2015
	02	06	10	15	19	23	28	32	37	41	45	50	
	03	07	11	16	20	24	29	33	38	42	46	51	
	04	08	12	17	21	25	30	34	39	43	47	52	
	05	09	13	18	22	26	31	35	40	44	48	53	
			14			27							

W przypadku tych bezprzewodowych nożyc do żywoptłów zwrócono szczególną uwagę na zapewnienie bezpieczeństwa, wysokiej wydajności oraz niezawodności.

### PRZEZNACZENIE URZĄDZENIA

Bezprzewodowa przycinarka do żywoptłów przeznaczona jest wyłącznie do używania na zewnątrz, w miejscach suchych i dobrze oświetlonych.

Produkt jest przeznaczony do domowego użytkowania. Produkt przeznaczony jest do cięcia i przycinania żywoptłów, krzewów i podobnej roślinności.

Nie używać do żadnych innych celów.

### OGÓLNE OSTRZEŻENIA DOTYCZĄCE BEZPIECZEŃSTWA PRODUKTU

**⚠ OSTRZEŻENIE!** Należy zapoznać się ze wszystkimi dostarczonymi z tym produktem instrukcjami, ilustracjami i specyfikacjami. Nieprzestrzeganie przedstawionych niżej zaleceń mogłoby pociągnąć za sobą wypadki takie jak pożary, porażenia prądem elektrycznym i zranienie osób.

**Zachowajcie te ostrzeżenia i zalecenia, aby móc się do nich odnieść w późniejszym czasie.**

Określenie „elektronarzędzie” w ostrzeżeniach oznacza produkt zasilany z sieci (przewodowy) lub zasilany akumulatorem (bezprzewodowy).

### OTOCZENIE ROBOCZE

- **Miejsce pracy musi być utrzymywane w czystości i dobrze oświetlone.** Obszary zaśmieczone lub niewystarczająco oświetlone mogą być przyczyną wypadku.
- **Nie wolno uruchamiać urządzeń elektrycznych w miejscach, gdzie grozi to wybuchem, na przykład w pobliżu łatwopalnych cieczy, gazów lub pyłów.** Urządzenia elektryczne mogą wytwarzać iskry, które mogą być przyczyną zapłonu pyłów lub oparów.
- **Podczas używania narzędzi elektrycznych należy utrzymywać osoby postronne i dzieci z dala od miejsca pracy.** Odwrócenie uwagi operatora może spowodować utratę kontroli nad urządzeniem.

### ZASADY BEZPIECZEŃSTWA DOTYCZĄCE OBSŁUGI URZĄDZEŃ ELEKTRYCZNYCH

- **Wtyczki zasilania elektronarzędzi muszą pasować do gniazd sieciowych.** Nie wolno modyfikować wtyczek w żaden sposób. Nie wolno używać żadnych przejściówek do podłączania urządzeń posiadających przewód zasilania z uziemieniem. Stosowanie oryginalnych wtyczek i dopasowanych gniazd sieciowych zmniejsza ryzyko porażenia prądem.
- **Unikać kontaktu ciała z powierzchniami uziemionymi lub podłączonymi do bieguny zerowego, np. rury, instalacje grzewcze i chłodnicze.** Kontakt ciała z masą lub uziemieniem zwiększa ryzyko porażenia prądem.
- **Nie narażać tego produktu na działanie deszczu lub wody.** Przedostanie się wody do wnętrza elektronarzędzia zwiększa ryzyko porażenia prądem.
- **Nie uszkodzić przewodu zasilania.** Nie wolno używać przewodu zasilania do przenoszenia,

ciągnięcia urządzenia lub jego odłączenia z gniazda sieciowego. Przewody elektryczne trzymać z dala od źródeł ciepła, oleju, ostrych krawędzi lub ruchomych elementów. Uszkodzony lub zaplątany przewód elektryczny zwiększa ryzyko porażenia prądem.

- **W przypadku używania urządzenia na zewnątrz, ewentualne przedłużacze muszą być do tego przystosowane.** Zastosowanie przedłużacza przystosowanego do warunków zewnętrznych zmniejsza ryzyko porażenia prądem.
- **Jeśli nie można uniknąć użytkowania urządzenia elektrycznego w warunkach wilgotnych, należy je zasilać z obwodu zabezpieczonego wyłącznikiem różnicowo-prądowym (RCD).** Zastosowanie takiego wyłącznika pozwala zmniejszyć ryzyko porażenia prądem elektrycznym.

### BEZPIECZEŃSTWO OSOBISTE

- **Zachowywać skupienie, uważnie obserwować wykonywane czynności, stosować zasady zdrowego rozsądku podczas obsługi urządzenia. Nie używać urządzeń elektrycznych w stanie zmęczenia lub będąc pod wpływem leków, alkoholu lub środków odurzających.** Moment nieuwagi podczas obsługi elektronarzędzia może być przyczyną poważnego zranienia.
- **Stosować środki ochrony osobistej. Zawsze nosić okulary ochronne.** Stosowanie takich środków ochrony osobistej jak maska przeciwpyłowa, obuwie antypoślizgowe, twarde nakrycie głowy, nauszники pozwolą zmniejszyć ryzyko zranienia.
- **Unikać możliwości przypadkowego uruchomienia urządzenia. Przed podłączeniem do zasilania/założeniem akumulatora lub w celu jego podniesienia lub przeniesienia należy upewnić się, że wyłącznik zasilania znajduje się w położeniu wyłączonym.** Przenoszenie elektronarzędzia z palcem na wyłączniku lub podłączenie zasilania do urządzenia, w którym wyłącznik znajduje się w położeniu włączonym grozi wypadkiem.
- **Usunąć wszelkie narzędzia i klucze przed włączeniem zasilania.** Uruchomienie elektronarzędzia z kluczem założonym na ruchomym elemencie grozi poważnym wypadkiem.
- **Nie sięgać zbyt daleko. Należy cały czas pewnie opierać stopy i utrzymywać równowagę.** Zapewni to lepsze panowanie nad urządzeniem w nieprzewidzianych sytuacjach.
- **Należy zakładać odpowiednią odzież ochronną. Nie zakładać luźnego ubioru ani biżuterii. Włosy i luźne fragmenty odzieży należy trzymać z dala od ruchomych części.** Mogą być one wciągnięte przez ruchome części urządzenia.
- **Jeśli używane urządzenie posiada przyłącze do wyciągu i gromadzenia kurzu, należy go używać w odpowiedni sposób.** Stosowanie metod usuwania pyłu zmniejsza zagrożenie związane z jego gromadzeniem.
- **Nie należy dopuszczać do tego, aby wcześniejsza znajomość obsługi podobnych narzędzi doprowadziła do ignorowania zasad bezpiecznego posługiwania się narzędziem.** Nieostrożna obsługa może spowodować poważne urazy ciała w ciągu ułamka sekundy.

## UŻYTKOWANIE I KONSERWACJA URZĄDZEŃ ELEKTRYCZNYCH

- **Nie przeciążać urządzenia. Używać odpowiedniego narzędzia do odpowiedniego rodzaju prac.** Najlepsze efekty pracy, przy zachowaniu pełnego bezpieczeństwa, zapewni używanie urządzeń w zakresie parametrów znamionowych i stosownie do ich przeznaczenia.
- **Nie używać tego urządzenia, jeśli wyłącznik nie pracuje poprawnie.** Używanie elektronarzędzia bez sprawnego wyłącznika jest zbyt niebezpieczne - należy oddać je do naprawy.
- **Przed przystąpieniem do regulacji lub wymiany akcesoriów bądź przed rozpoczęciem przechowywania należy odłączyć wtyczkę od źródła zasilania i/lub (o ile jest to możliwe) odłączyć akumulator od narzędzia z napędem.** Tego rodzaju środki zapobiegawcze pozwolą zmniejszyć ryzyko przypadkowego uruchomienia elektronarzędzia.
- **Nie używane urządzenia należy przechowywać poza zasięgiem dzieci. Nie wolno zezwalać osobom nie obeznanym z obsługą urządzeń elektrycznych na ich używanie.** Urządzenia elektryczne mogą być niebezpieczne w rękach osób nieposiadających odpowiedniego przygotowania.
- **Narzędzia z napędem i akcesoria należy utrzymywać w dobrym stanie technicznym. Należy sprawdzać wyrównanie elementów ruchomych, sprawdzać, czy nie ma jakichkolwiek uszkodzeń, uwzględnić wszelkie aspekty mające wpływ na bezpieczną pracę urządzenia. W przypadku stwierdzenia uszkodzeń, oddać urządzenie do naprawy.** Wiele wypadków spowodowane jest użytkowaniem urządzeń w niewłaściwym stanie technicznym.
- **Elementy tnące muszą być ostre i czyste.** Odpowiednio ostre krawędzie tnące ułatwią prowadzenie urządzenia i są bardziej odporne na uszkodzenie.
- **Wszelkie urządzenia, przystawki, akcesoria itp. należy używać zgodnie z dołączonymi instrukcjami obsługi, z uwzględnieniem warunków i charakteru wykonywanej pracy.** Używanie narzędzi w sposób niezgodny z ich przeznaczeniem grozi poważnym niebezpieczeństwem.
- **Uchwyty i powierzchnie do trzymania muszą zawsze być suche, czyste i wolne od smaru oraz oleju.** Śliskie uchwyty i powierzchnie do trzymania nie umożliwiają bezpiecznej obsługi i kontrolowania narzędzia w nieoczekiwanych sytuacjach.

## UŻYTKOWANIE I UTRZYMANIE NARZĘDZIA AKUMULATOROWEGO

- **Ładować wyłącznie za pomocą ładowarki dostarczonej przez producenta.** Ładowarka przeznaczona do jednego modelu akumulatora może być przyczyną pożaru w przypadku zastosowania do ładowania akumulatora innego typu.
- **Używać narzędzi ręcznych z napędem elektrycznym wyłącznie z akumulatorami przeznaczonymi do tych urządzeń.** Używanie innych akumulatorów wiąże się ze zwiększonym ryzykiem pożaru lub obrażeń ciała.
- **Gdy akumulator nie jest używany, przechowywać go z dala od innych metalowych przedmiotów, np. spinaczy, monet, kluczy, gwoździ, śrub lub innych małych metalowych przedmiotów, które mogłyby utworzyć połączenie między stykami, prowadząc do zwarcia.** Zwarcie styków akumulatora może spowodować oparzenia lub pożar.

- **W przypadku niewłaściwej obsługi może dojść do wycieku płynu z akumulatora, należy unikać kontaktu z tym płynem.** Miejsce ewentualnego kontaktu przepłukać wodą. W przypadku, gdy płyn dostanie się do oczu, po przemyciu zwrócić się o pomoc do lekarza. Płyn wyciekający z akumulatora może powodować podrażnienia i oparzenia.
- **Nie stosować uszkodzonych ani zmodyfikowanych akumulatorów i narzędzi.** Uszkodzone lub zmodyfikowane akumulatory mogą zachowywać się w sposób nieprzewidywalny, co może prowadzić do pożaru, wybuchu lub ryzyka obrażeń.
- **Nie narażać akumulatora lub narzędzia na działanie ognia lub zbyt wysokich temperatur.** Narażenie na działanie ognia lub temperatury powyżej 130°C może spowodować wybuch.
- **Przestrzegać wszystkich instrukcji ładowania i nie ładować akumulatora ani narzędzia poza podanym w instrukcji zakresem temperatur.** Ładowanie w niewłaściwy sposób lub w temperaturze poza określonym zakresem może doprowadzić do uszkodzenia akumulatora i wzrostu zagrożenia pożarowego.

## KONSERWACJA

- **Urządzenie elektryczne powinno być naprawiane przez wykwalifikowany personel, z zastosowaniem identycznych części zamiennych.** Dzięki temu zapewnione będzie bezpieczeństwo użytkownika urządzenia.
- **Nigdy nie serwisować uszkodzonych akumulatorów.** Serwisowaniem akumulatorów powinien zajmować się wyłącznie producent lub autoryzowany serwis.

## BEZPRZEWODOWE NOŻYCE DO ŻYWOPIŁÓTÓW — OSTRZEŻENIA DOTYCZĄCE BEZPIECZEŃSTWA

- **Trzymać wszystkie części ciała z dala od ostrza. Nie usuwać nagromadzonej ściłki ani nie trzymać gałęzi do przecięcia w rękach gdy ostrza pracują.** Po wyłączeniu silnika noże nadal się obracają. Moment nieuwagi podczas obsługi nożyc do żywopiłotów może być przyczyną poważnego zranienia.
- **Przycinarkę do żywopiłotów należy przenosić za rękojeść z zatrzymanym ostrzem, uważając, aby nie uruchomić żadnego przełącznika zasilania.** Prawidłowe przeniesienie przycinarki do żywopiłotów zmniejsza ryzyko niezamierzonego uruchomienia, a tym samym obrażeń ciała spowodowanych przez ostrza.
- **Podczas transportu lub przechowywania przycinarki do żywopiłotów należy zawsze montować osłonę ostrzy.** Prawidłowe obchodzenie się z przycinarką do żywopiłotów zmniejsza ryzyko obrażeń ciała spowodowanych przez ostrza.
- **Podczas usuwania zakleszczonego materiału lub serwisowania urządzenia należy upewnić się, że wszystkie wyłączniki zasilania są wyłączone, a akumulator jest wymontowany lub odłączony.** Nieoczekiwane uruchomienie nożyc do żywopiłotów podczas usuwania zaciętego materiału lub serwisowania może spowodować poważne obrażenia ciała.
- **Bezprzewodową przycinarkę do żywopiłotów należy trzymać wyłącznie za izolowaną powierzchnię chwytą, ponieważ w przeciwnym przypadku ostrze może zetknąć się z ukrytymi przewodami.**

Zetknięcie się ostrzy z przewodem pod napięciem może spowodować, że odsłonięte metalowe części przycinarki do żywoptłów również znajdą się pod napięciem, co może skutkować porażeniem prądem elektrycznym.

- **Wszystkie przewody zasilające i kable należy trzymać z dala od obszaru cięcia.** Przewody zasilające lub kable mogą być ukryte w żywoptłach lub krzakach i mogą zostać przypadkowo przecięte przez ostrze.
- **Nie należy używać przycinarki do żywoptłów w złych warunkach atmosferycznych, zwłaszcza gdy istnieje ryzyko uderzenia pioruna.** Zmniejsza to ryzyko porażenia piorunem.

#### DODATKOWE OSTRZEŻENIA DOTYCZĄCE BEZPIECZEŃSTWA

- Nie podejmować prób cięcia pni lub gałęzi o grubości powyżej 22 mm w przypadku modelu RY18HT45A lub 24 mm w przypadku RY18HT50A, a także pni lub gałęzi o rozmiarach wyraźnie zbyt dużych, by można je było wprowadzić do ostrza tnącego. Do docinania większych konarów należy używać piły ręcznej lub piły ogrodniczej.
- Produkt zawsze należy obsługiwać, trzymając pewnie obiema rękoma oba uchwyty produktu.
- Przed każdym użyciem należy sprawdzić maszynę. Sprawdzić, czy wszystkie mocowania są dobrze dokręcone oraz czy nie ma wycieków paliwa itp. Upewnić się, że wszystkie elementy zabezpieczające, osłony i uchwyty są prawidłowo i bezpiecznie zamocowane. Wymienić wszystkie uszkodzone elementy przed rozpoczęciem użytkowania. Sprawdzić, czy akumulator nie ma wycieków.
- Sprawdzić żywoptły i krzewy pod kątem obecności ukrytych przedmiotów, takich jak druciane ogrodzenia i ukryte przewody.
- W trakcie obsługi produktu należy stać na gruncie, w przeciwieństwie do jakiegokolwiek innego niestabilnego podłoża.
- Nie włączać produktu w miejscach źle oświetlonych. Operator musi dobrze widzieć miejsce pracy, aby móc zidentyfikować potencjalne zagrożenia.
- Stosowanie środków ochrony słuchu zmniejsza słyszalność ostrzeżeń (alarmów, okrzyków). Należy zwracać większą uwagę na to, co dzieje się w miejscu pracy.
- Wyłączyć produkt, wyjąć akumulator i pozostawić do ostygnięcia zarówno produkt, jak i akumulator. Upewnić się, że wszystkie elementy ruchome zostały całkowicie zatrzymane:
  - przed przystąpieniem do regulacji położenia roboczego noża
  - przed serwisowaniem
  - przed usunięciem zatoru
  - przed sprawdzeniem, czyszczeniem i użytkowaniem produktu,
  - przed wymianą akcesoriów
  - przed pozostawieniem produktu bez nadzoru
  - przed rozpoczęciem kontroli pod kątem braku uszkodzeń po uderzeniu w obiekt lub przedmiot
  - przed przystąpieniem do konserwacji
  - jeśli produkt zacznie wibrować w nietypowy sposób
- Nie wpychać produktu na siłę w gęsto zakrzewione obszary. Może to spowodować stępienie noży i zwolnienie ich pracy. Gdy noże zwalnają, zmniejszyć prędkość posuwu.

- W przypadku upuszczenia produktu, narażenia jej na silne uderzenie lub w przypadku wystąpienia nietypowych wibracji należy natychmiast zatrzymać produkt i sprawdzić, czy nie ma oznak uszkodzenia lub ustalić przyczynę wibracji. Wszelkie uszkodzone części muszą być odpowiednio naprawione lub wymienione w autoryzowanym punkcie serwisowym.
- Produkt należy stosować tylko w temperaturach od 0°C do 40°C.
- Produkt należy przechowywać w miejscu, w którym temperatura otoczenia wynosi od 0°C do 40°C.
- Długotrwałe użytkowanie narzędzia może spowodować obrażenia ciała lub nasilić dolegliwości zdrowotne. W przypadku używania narzędzia przed dłuższy czas należy pamiętać o regularnych przerwach.

#### AKUMULATOR — DODATKOWE OSTRZEŻENIA DOTYCZĄCE BEZPIECZEŃSTWA

- Aby uniknąć niebezpieczeństwa pożaru, obrażeń lub uszkodzeń produktu na skutek zwarcia, nie wolno zanurzać narzędzia, akumulatora wymiennego ani ładowarki w cieczach i należy zatroszczyć się o to, aby do urządzeń i akumulatorów nie dostały się żadne cieczce. Zwarcie spowodować mogą korodujące lub przewodzące cieczce, takie jak woda morska, określone chemikalia i wybielacze lub produkty zawierające wybielacze.
- Akumulator należy ładować w miejscu, w którym temperatura otoczenia wynosi od 10°C do 38°C.
- Akumulator należy przechowywać w miejscu, w którym temperatura otoczenia wynosi od 0°C do 40°C.
- Akumulator należy użytkować w miejscu, w którym temperatura otoczenia wynosi od 0°C do 40°C.

#### TRANSPORT I PRZECHOWYWANIE

- Przed odłożeniem bądź rozpoczęciem transportu lub składowania wymontować akumulator i poczekać, aż produkt ostygnie.
- Usonąć z produktu wszelkie zanieczyszczenia. Przechowywać w dobrze wentylowanym pomieszczeniu, niedostępnym dla dzieci. Aby zapewnić wyższy poziom bezpieczeństwa, akumulator należy przechowywać oddzielnie od produktu. Nie przechowywać urządzenia wraz z materiałami korozyjnymi, takimi jak ogrodowe substancje chemiczne lub sól odmrażająca. Nie przechowywać produktu poza pomieszczeniami.
- Przed rozpoczęciem przechowywania lub transportu produktu należy zawsze założyć osłonę noża.
- W przypadku transportu produktu należy zabezpieczyć go przed przemieszczaniem się lub upadkiem, aby nie dopuścić do obrażeń ciała lub uszkodzenia urządzenia.

#### TRANSPORTOWANIE AKUMULATORÓW LITOWYCH

Akumulatory należy transportować zgodnie z lokalnymi i krajowymi przepisami i regulacjami.

Należy postępować zgodnie z wszystkimi specjalnymi wymaganiami dotyczącymi pakowania i etykietowania akumulatorów podczas transportu przez stronę trzecią. Upewnić się, że żadne akumulatory nie zetkną się z innymi akumulatorami lub materiałami przewodzącymi podczas transportu; w tym celu należy zabezpieczyć odkryte złącza nieprzewodzącymi nakładkami izolacyjnymi lub taśmą izolacyjną. Nie należy transportować pękniętych ani nieszczelnych akumulatorów. Szczegółowe porady można uzyskać w firmie spedycyjnej.

## KONSERWACJA

- Należy stosować wyłącznie oryginalne części zamienne, akcesoria oraz przystawki producenta. W przeciwnym razie może dość do obrażeń ciała, niskiej wydajności oraz do unieważnienia gwarancji.
- Serwisowanie wymaga wyjątkowej staranności i wiedzy. Może być wykonywane wyłącznie przez wykwalifikowany personel serwisowy. Serwisowanie należy powierzać wyłącznie autoryzowanemu serwisowi.
- Ostrza są bardzo ostre. Aby uniknąć obrażeń ciała, należy zachować szczególną ostrożność przy czyszczeniu, smarowaniu oraz montażu i demontażu osłony ostrza.
- Przed przystąpieniem do regulacji, konserwacji lub czyszczenia produktu należy zawsze usuwać akumulator.
- Możesz wykonywać czynności regulacyjne i naprawcze opisane w tej instrukcji obsługi. W przypadku innych napraw produkt należy oddawać wyłącznie do autoryzowanych serwisów.
- Po każdym użyciu oczyścić części z tworzywa sztucznego czystą, suchą szmatą.
- Po każdym użyciu należy usunąć pozostałości z ostrzy za pomocą sztywnej szczotki, a następnie, przed montażem osłony ostrza, ostrożnie nanieść środek smarny chroniący przed rdzą. Producent zaleca stosowanie natryskowego środka smarnego chroniącego przed rdzą w celu naniesienia równomiernej warstwy oraz aby ograniczyć ryzyko obrażeń ciała na skutek kontaktu z ostrzami. Informacje na temat odpowiedniego produktu natryskowego można uzyskać w lokalnym autoryzowanym punkcie serwisowym.
- Systematycznie sprawdzać, czy wszystkie nakrętki, wkręty i śruby są dobrze dokręcone, aby upewnić się, że produkt jest w bezpiecznym stanie. Każdą uszkodzoną część należy odpowiednio naprawić lub wymienić w autoryzowanym punkcie serwisowym.

## POZNAJ SWÓJ PRODUKT

Patrz str. 106.

1. Osłona ostrza
2. Spust przedni
3. Przedni uchwyt
4. Tylny uchwyt
5. Przycisk uruchamiający
6. Ostrze
7. Zamiatarka ogrodowa HEDGESWEEP
8. Osłona ostrza
9. Instrukcja obsługi
10. Akumulator
11. Ładowarka

## SYMBOLE PRODUKTU



Alarm bezpieczeństwa



Przed przystąpieniem do obsługi produktu należy przeczytać ze zrozumieniem wszystkie instrukcje. Należy przestrzegać wszystkich ostrzeżeń i instrukcji dotyczących bezpieczeństwa.



Symbol zgodności z przepisami europejskimi

Symbol zgodności z przepisami brytyjskimi

Oznaczenie zgodności EurAsian



Symbol zgodności z przepisami ukraińskimi



Zużyte produkty elektryczne nie powinny być utylizowane z odpadami domowymi. Prosimy poddawać recyklingowi w odpowiednich miejscach. Informacje o właściwych metodach recyklingu można uzyskać u władz lokalnych lub sprzedawcy.



Zakładać środki ochrony wzroku



Nosić środki ochrony słuchu



Nie wystawiać urządzenia na działanie deszczu ani nie używać w miejscach o dużej wilgotności.



Nosić nieślizgające się, trwałe rękawice ochronne.



Podczas pracy przycinarkę do żywopłotów należy trzymać obiema rękami.



Aby nie dopuścić do poważnych urazów ciała, nie należy dotykać ostrzy.



Gwarantowany poziom mocy akustycznej (RY18HT50A)



Gwarantowany poziom mocy akustycznej (RY18HT45A)



Uwaga na odrzucane przedmioty. Dopilnować, aby wszyscy gapie — zwłaszcza dzieci, a także zwierzęta — znajdowali się co najmniej 15 m od obszaru pracy.



Przed rozpoczęciem pracy z produktem wymontować akumulator.

## SYMBOLE STOSOWANE W NINIEJSZEJ INSTRUKCJI



Ostrzeżenie!



Uwaga





Bezpečnost, výkon a spolehlivost byli hlavní prioritou při návrhu vašeho bezdrátového plotostřihu.

## ZAMÝŠLENÉ POUŽITÍ

Akumulátorový plotostřih je určen pouze k venkovnímu používání za sucha a příznivých světelných podmínek.

Výrobek je navržen pro domácí používání. Tento plotostřih je určen k střihání a zastříhávání živých plotů, keřů a podobné vegetace.

Přístroj nepoužívejte jej k jiným účelům.

## OBCENÁ BEZPEČNOSTNÍ UPOZORNĚNÍ K PRODUKTU

**⚠ VAROVÁNÍ!** Přečtete si všechny bezpečnostní pokyny, ilustrace a specifikace dodané s tímto produktem. Nedodržení uvedených pokynů může způsobit požár, úraz elektrickým proudem a/nebo jiné vážné zranění.

Uschovejte všechny pokyny a upozornění, abyste se k nim mohli v budoucnosti vrátit.

Termín „elektrické nářadí“ ve výstrahách odkazuje na produkt napájený ze sítě (s kabelem) nebo na baterie (bezdrátový).

### PRACOVNÍ PROSTŘEDÍ

- **Udržujte pracovní prostor čistý a dobře osvětlený.** Zatarasené nebo tmavé oblasti vedou k nehodám.
- **Neppracujte s tímto elektricky poháněným nástrojem ve výbušných prostředích, například v přítomnosti hořlavých kapalin, plynů nebo prachu.** Elektricky poháněné nástroje vytváří jiskry, které mohou zapálit prach nebo výpar.
- **Udržujte děti a přihlízející během práce s elektricky poháněným nástrojem stranou.** Rozptylování může způsobit ztrátu kontroly.

### ELEKTRICKÁ BEZPEČNOST

- **Zástrčky elektricky poháněného nástroje musí být shodné s elektrickou zásuvkou.** Nepokoušejte se zástrčku jakýmkoliv způsobem upravovat. Nepoužívejte žádný adaptér zástrček se zemněným (uzemněným) elektricky poháněným nástrojem. Neupravené zástrčky a shodné zásuvky snižují nebezpečí elektrického úrazu.
- **Předcházejte tělesnému kontaktu s uzemněnými nebo zemněnými povrchy, například trubkami, radiátory, sporáky a lednicemi.** Je zde zvýšené nebezpečí zásahu elektrickým proudem, pokud je vaše tělo zemněno nebo uzemněno.
- **Nevystavujte tento přístroj dešti nebo vlhkým podmínkám.** Voda vnikající do elektricky poháněného nástroje zvyšuje nebezpečí elektrického úrazu.
- **Nepoškoďte napájecí kabel. Nikdy pro odpojování, táhnutí nebo přenášení elektricky poháněného nástroje nepoužívejte kabel. Udržujte kabel mimo horké plochy, olej, pohyblivé součásti nebo ostré hrany.** Poškozené nebo zamotané kabely zvyšují nebezpečí elektrického úrazu.
- **Pokud používáte elektricky poháněný nástroj ve venkovním prostředí, použijte prodlužovací kabel vhodný pro venkovní prostředí.** Použití kabelu vhodného pro venkovní prostředí snižuje nebezpečí elektrického úrazu.

- **Pokud používáte elektricky poháněný nástroj ve vlhkém prostředí, je nezbytné používat proudový chránič (PCH).** Použitím PCH snížíte nebezpečí poranění elektrickým proudem.

### OSOBNÍ BEZPEČNOST

- **Budte ve střehu, hlídejte, co děláte a používejte zdravý rozum při provozu tohoto elektricky poháněného nástroje.** Elektricky nástroj nepoužívejte, pokud jste unaveni nebo pod vlivem drog, alkoholu nebo léků. Chvilce nepozornosti při práci s tímto elektricky poháněným nástrojem může způsobit vážná poranění osob.
- **Používejte osobní ochrannou výbavu. Vždy noste ochranu očí.** Ochranné prostředky jako ochranná maska, protiskluzová bezpečnostní obuv, přilba a ochrana sluchu využívané podle podmínek sníží riziko úrazů.
- **Zabraňte náhodnému spuštění. Zabezpečte, aby byl spínač v poloze vypnuto (off) před připojením zdroje energie a/nebo bloku baterií, přípravou nebo nesením nástroje.** Nošení elektrického nástroje s vaším prstem na spínači nebo se zapojenou zástrčkou elektrického nástroje může při zapnutí vést k nehodě.
- **Odstraňte všechny seřizovací klíče nebo šroubováky, než zapnete poháněný nástroj.** Klíč nebo šroubovák ponechaný přiložený k pohyblivému dílu elektricky poháněného nástroje může způsobit poranění osob.
- **Nepřeceňujte se. Udržujte řádné postavení a rovnováhu po celou dobu práce.** Toto umožňuje lepší ovládnutí poháněného nástroje v neočekávaných situacích.
- **Správně se oblékejte. Nenoste volný oděv nebo šperky. Braňte styku vlasů a oděvu s pohyblivými částmi.** Volný oděv, šperky nebo dlouhé vlasy mohou být zachyceny do pohyblivých dílů.
- **Pokud jsou zařízení vybavena přípojkou pro odsávání prachu a sběrným zařízením, ujistěte se, že jsou správně připojeny k nástroji, a že se správně používají.** Použití odsavače prachu může snížit nebezpečí související s prachem.
- **Nenechte se ukolébat znalostmi získanými při častém používání nástrojů a neignorujte bezpečnostní pravidla.** Nedbalá činnost může způsobit poranění ze zlomu sekundy.

### POUŽITÍ A PÉČE O NÁSTROJ

- **Nepoužívejte nadměrnou sílu na nástroj. Nářadí vybírejte podle povahy práce, kterou chcete provádět.** Správný elektricky poháněný nástroj bude svou práci provádět lépe a bezpečněji při práci, pro kterou byl navržen.
- **Elektricky poháněný nástroj nepoužívejte, pokud spínač nezapíná a nevyviná.** Každý elektricky poháněný nástroj, který nemůže být ovládnut spínačem, je nebezpečný a musí být opraven.
- **Před jakýmkoliv seřizováním, výměnou doplňků, vyjímáním baterie nebo ukládáním elektrického nářadí odpojte nejdříve zástrčku od zdroje napájení elektrického nářadí, popřípadě, podle provedení, vyjměte baterii.** Také bezpečnostní preventivní opatření snižují riziko náhodného spuštění elektrického nástroje.





- **Ukládejte nečinný elektricky poháněný nástroj mimo dosah dětí a nenechávejte neznámé osoby pracovat s elektricky poháněným nástrojem nebo s těmito pokyny k obsluze elektrického nástroje.** Elektricky poháněné nástroje jsou nebezpečné v rukou nequalifikovaných uživatelů.
- **Provádějte údržbu elektrického nářadí i příslušenství. Kontrolujte vychýlení nebo zasekávání pohyblivých dílů, rozbité části a každé jiné podminky, které mohou ovlivnit funkci elektricky poháněných nástrojů. Zjistí-li se poškození, musí se elektricky poháněný nástroj před použitím opravit.** Mnoho úrazů je způsobeno nedostatečně udržovanými elektricky poháněnými nástroji.
- **Udržujte řezné nástroje ostré a čisté.** Řádně udržované řezné nástroje s ostrými řeznými hranami mají nízkou pravděpodobnost zaseknutí a jsou snadněji ovladatelné.
- **Poháněné nástroje, příslušenství a vrtáky, atd. používejte v souladu s těmito pokyny s ohledem k pracovním podmínkám a práci, která má být provedena.** Použití elektricky poháněného nástroje pro práce jiné, než zamýšlené by mohlo mít za následek nebezpečnou situaci.
- **Udržujte rukojeti a úchopové oblasti suché, čisté a bez mastnot a oleje.** Kluzké rukojeti a úchopové plochy neumožňují bezpečnou manipulaci a kontrolu nad nástrojem v neočekávaných situacích.

## POUŽÍVÁNÍ A PÉČE O BATERII

- **Dobíjejte pouze nabíječkou určenou výrobcem.** Nabíječka, která je vhodná pro jeden typ akumulátoru může způsobit nebezpečí požáru, pokud se používá s jiným bateriovým modulem.
- **Elektrický nástroj používejte pouze s přesně určeným bateriovým modulem.** Použití jakéhokoliv jiného akumulátoru může způsobit nebezpečí poranění a požáru.
- **Pokud akumulátor nepoužíváte, uchovávejte jej mimo kovové předměty jako svorky pro papír, mince, klíče, hřebíky, šrouby nebo jiné malé kovové předměty, které mohou vytvořit propojení jednoho vývodu s druhým.** Zkratování vývodů baterie může způsobit požár nebo popáleniny.
- **za nevhodných podmínek může z baterie vytékat kapalina; zabraňte kontaktu. Pokud dojde k náhodnému kontaktu, omyjte vodou. Pokud kapalina přijde do kontaktu s očima, ihned vyhledejte lékařskou pomoc.** Kapalina vytečená z baterie způsobit podráždění nebo popáleniny.
- **Nepoužívejte baterie ani nástroj, který je poškozený nebo upravený.** Poškozené nebo upravené baterie se mohou chovat nepředvídatelně a důsledkem může být požár, výbuch nebo riziko zranění.
- **Nevystavujte baterii ani zařízení ohni nebo příliš vysoké teplotě.** Vystavení ohni nebo teplotám nad 130 °C může způsobit výbuch.
- **Postupujte podle všech pokynů k nabíjení a nenabíjejte baterie nebo nástroj mimo teplotní rozsah uvedený v pokynech.** Nesprávné nabíjení nebo při teplotách mimo uvedený rozsah může poškodit baterii a zvýšit riziko požáru.

## ÚDRŽBA

- **Váš elektricky poháněný nástroj smí opravovat pouze kvalifikovaný opravárenský pracovník a musí používat pouze vhodné náhradní díly.** Toto zajišťuje udržování bezpečnosti elektricky poháněného nástroje.
- **Nikdy neopravujte poškozené baterie.** Baterie by měl opravovat pouze výrobce nebo autorizovaný servis.

## BEZPEČNOSTNÍ UPOZORNĚNÍ K AKUMULÁTOROVÉMU POLOSTŘIHU

- **Nepřibližujte se žádnou částí těla k nožům. Neodstraňujte pořezaný nebo zachycený materiál, když se nože pohybují.** Nože se otáčejí i po vypnutí motoru. Chvilce nepozornosti při práci s tímto výrobkem může způsobit vážná osobní poranění.
- **Plotostřih noste za rukojet' při zastavených nožích a dávejte pozor, ať nedojde k zapnutí.** Správný způsob nošení plotostřihu snižuje riziko náhodného spuštění a následného poranění noží.
- **Při přepravě nebo uložení plotostřihu na něj vždy nasadte kryt nožů.** Správné zacházení s plotostřihem snižuje riziko úrazu od nožů.
- **Při odstraňování zachyceného materiálu nebo provádění údržby musí být všechny vypínače v poloze odpojení od napájení a baterie musí být vyjmuta nebo odpojena.** Náhodné spuštění plotostřihu během odstraňování zachyceného materiálu nebo provádění servisu může způsobit úraz.
- **Plotostřih držte pouze na izolovaných plochách, protože jeho nože mohou přijít do styku se skrytými vodiči.** Styk nožů s fázovým vodičem může vystavit kovové části plotostřihu napětí zemi a způsobit uživateli úraz elektrickým proudem.
- **Dbejte na to, aby v prostoru prořezávání nebyly žádné elektrické šňůry a kabely.** Napájecí šňůry a kabely mohou být skryté v živých plotech nebo keřích a nedopatřením může dojít k jejich přeseknutí.
- **Plotostřih nepoužívejte za nepříznivého počasí, obzvláště hrozí-li riziko zásahu bleskem.** Toto snižuje riziko zasažení bleskem.

## DOPLŇUJÍCÍ BEZPEČNOSTNÍ VAROVÁNÍ

- **Nepokoušejte se sekat stonky nebo větvičky o tloušťce přesahující 22 mm pro RY18HT45A nebo 24 mm pro RY18HT50A, nebo které jsou očividně příliš dlouhé, než aby se vešly pod sekací čepele.** Použijte neelektrickou ruční pilu nebo vyvrtávací pilu pro řezání velkých větví.
- **Během provozu výrobku jej vždy držte pevně oběma rukama za dvě rukojeti.**
- **Zkontrolujte nástroj před každým použitím.** Zkontrolujte, zda nejsou uvolněny sponky, neuniká palivo atd. Ujistěte se, že jsou všechny ochranné kryty, a rukojeti správně a bezpečně nasazeny. Před použitím vyměňte jakékoli poškozené součásti. Proveďte kontrolu akumulátoru na netěsnost.
- **Zkontrolujte, zda se v plotech a keřích nenacházejí cizorodé předměty, například pletivo nebo kabeláž.**
- **Plotostřih se smí používat pouze na úrovni země a nikoliv na nestabilním povrchu.**
- **Výrobek nepoužívejte při špatném osvětlení.** Obsluha musí mít čistý výhled na pracovní oblast k identifikaci potenciálních nebezpečí.



- Uvědomte si, že použití ochrany sluchu snižuje vaši schopnost slyšet varování (poplachy nebo výkřiky). Obsluha si musí být tohoto vědoma a platí speciální upozornění, aby si všímala události v jeho pracovní oblasti.
- Plotostřih vypněte, vyjměte baterii a nechte plotostřih i baterii vychladnout. Ujistěte se, že se zastavily všechny pohyblivé díly:
  - před seřizováním provozní polohy řezných prostředků
  - před servisem
  - před čištěním usazenin
  - před kontrolou, čištěním nebo prací na nástroji,
  - před výměnou příslušenství
  - před opuštěním výrobku
  - před kontrolou poškození po nárazu do předmětu
  - před prováděním údržby
  - pokud stroj začne abnormálně vibrovat
- Nesnažte se plotostřih používat na hustý porost s použitím síly. Může to způsobit zaseknutí nože do dřeva a zpomalování. Pokud se nože zpomalují, snižte rychlost.
- Pokud začne po pádu, silných nárazech nástroj nenormálně vibrovat, zastavte nástroj a ihned zjistěte příčinu vibrací a rozsah škod. Pokud je nějaká část poškozena, musí se nechat řádně opravit nebo vyměnit pověřeným servisním střediskem.
- Mlhovač provozujte pouze při teplotách mezi 0 °C a 40 °C.
- Mlhovač skladujte na místě s teplotou prostředí mezi 0 °C a 40 °C.
- Poranění mohou být způsobena, či zhoršena, prodlouženým používáním nástroje. Když používáte jakýkoliv nástroj delší dobu, dělejte pravidelně přestávky.

#### DOPLŇUJÍCÍ BEZPEČNOSTNÍ UPOZORNĚNÍ K BATERII

- Abyste zabránili nebezpečí požáru způsobeného zkratem, poraněním nebo poškozením výrobku, neponořujte nářadí, výměnnou baterii nebo nabíječku do kapalin a zajistěte, aby do zařízení a akumulátorů nevnikly žádné tekutiny. Korodující nebo vodivé kapaliny, jako je slaná voda, určité chemikálie a bělicí prostředky nebo výrobky, které obsahují bělidlo, mohou způsobit zkrat.
- Baterii dobíjejte na místě s teplotou prostředí mezi 10 °C a 38 °C.
- Baterii skladujte na místě s teplotou prostředí mezi 0 °C a 40 °C.
- Baterii používejte na místě s okolní teplotou 0 °C a 40 °C.

#### TRANSPORT A SKLADOVÁNÍ

- Před přenášením nebo uložením vždy vyjměte baterii a nechte foukač vychladnout.
- Odstraňte z výrobku všechny cizí materiál. Ukládejte produkt v dobře větraných prostorách, které nejsou přístupné dětem. Před skladováním vždy vyjměte akumulátorový modul ze zařízení pro zvýšení bezpečnosti. Udržujte produkt mimo korozivní materiály, například zahrádkářské chemikálie a rozmrazovací soli. Výrobek neskladujte venku.

- Před uložením nebo transportem produktu nasadte kryt ostří.
- Při transportu výrobku zajistěte proti pohybům nebo pádu, abyste zabránili poranění osob nebo poškození výrobku.

#### TRANSPORT LITHIOVÝCH BATERIÍ

Přenos baterií dle místních a národních opatření a předpisů.

Dodržujte všechny zvláštní požadavky na balení a značení při transportu baterií třetí stranou. Zajistěte, aby žádné baterie nepřišly do kontaktu s jinými bateriemi nebo vodivými materiály při transportu pomocí ochrany nekrytých kontaktů prostřednictvím izolace, nevodivých krytek či lepicích pásek. Nepřepravujte prasklé nebo baterie s unikajícím elektrolytem. Ptejte se u zásilkové společnosti na další radu.

#### ÚDRŽBA

- Používejte pouze originální příslušenství, doplňky a náhradní díly výrobce. Zanedbání může zapříčinit možné poranění, slabý výkon a může dojít ke ztrátě záruky.
- Údržba vyžaduje extrémní péči a znalosti a měla by být prováděna pouze kvalifikovaným servisním technikem. Výrobek nechte opravit pouze v pověřeném servisu.
- Řezací nože jsou velmi ostré. Pro zabránění poranění osob buďte velmi opatrní při čištění, mazání a upevňování či demontáži krytu nože.
- Před seřizováním, údržbou nebo čištěním produktu z něj vyjměte baterie.
- Můžete provádět v návodu k obsluze uvedené opravy a seřizení. Jiné opravy výrobku svěřte pouze pověřenému servisnímu středisku.
- Po každém použití očistěte měkkým a suchým hadříkem plastové díly.
- Po každém použití očistěte nečistoty z nožů tvrdým štětcem a poté opatrně naneste antikoroziní přípravek před upevněním krytu nože. Výrobce doporučuje používat antikoroziní a mazací sprej pro rovnoměrné nanesení a snížení nebezpečí poranění při kontaktu s noži. Informace o vhodném spreji získáte u místního pověřeného servisního střediska.
- Zkontrolujte všechny šrouby, matice v častých intervalech na řádné utažení, aby se zajistilo, že výrobek bude pracovat v bezpečných pracovních podmínkách. Jakýkoliv poškozený díl je nutné správně opravit nebo nechat vyměnit v autorizovaném servisním středisku.

#### POZNEJTE SVŮJ NÁSTROJ

Viz strana 106.

1. Kryt lišty
2. Přední spinač
3. Přední rukojeť
4. Zadní rukojeť
5. Spoušť
6. Nůž
7. HEDGESWEEP sběrače odřezků
8. Kryt nože
9. Návod k obsluze
10. Baterie
11. Nabíječka

## SYMBOLY NA VÝROBKU



Bezpečnostní výstraha



Před používáním výrobku se obeznamte se všemi pokyny. Dbejte na všechna upozornění a dodržujte bezpečnostní pokyny.



Značka shody s evropskými normami



Značka shody s britskými normami



Euroasijská značka shody



001

Značka shody s ukrajinskými normami



Odpad elektrických výrobků se nesmí likvidovat v domovním odpadu. Recyklujte prosím na sběrných místech. Ptejte se u místních úřadů nebo prodejce na postup při recyklaci.



Noste ochranu očí



Noste ochranu sluchu



Nevystavujte dešti nebo nepoužívejte ve vlhkých podmínkách.



Navlékněte si pevné neklouzavé pracovní rukavice.



Plotostřih vždy držte během používání pevně oběma rukama.



Pro zabránění poranění se nedotýkejte řezacích nožů.



Zaručená hladina akustického výkonu (RY18HT50A)



Zaručená hladina akustického výkonu (RY18HT45A)



Dávejte pozor na odmrštěné nebo odletující předměty. V okruhu nejméně 15 m od pracovního prostoru se nesmí vyskytovat žádní přihlížející, zejména děti a zvířata.



Před započetím jakékoli práce na fukaru nejdříve vyjměte baterii.

## SYMBOLY V NÁVODU



Varování



Poznámka

Az akkumulátoros sövényvágó kifejlesztésekor a biztonságot, a teljesítményt és a megbízhatóságot tartottuk szem előtt.

### RENDELTETÉSSZERŰ HASZNÁLAT

Az akkumulátoros sövényvágót csak kültéren, száraz környezetben, jó megvilágítás mellett használja.

A termék otthoni vagy háztartási használatra készült. A termék sövények, bokrok és hasonló növényzet vágására és nyírására készült.

Semmilyen más célra ne használja.

### ÁLTALÁNOS BIZTONSÁGI FIGYELMEZTETÉSEK A TERMÉKHEZ

**⚠ FIGYELMEZTETÉS!** Olvassa el, illetve tekintse meg a termékhez biztosított minden biztonsági figyelmeztetést, illusztrációt és műszaki leírást. Az alább részletezett előírások be nem tartása olyan baleseteket okozhat, mint pl. tűz, áramütés és/vagy súlyos személyi sérülések.

**Őrizze meg ezeket a figyelmeztetéseket és utasításokat a későbbi tájékozódásra is.**

A figyelmeztetésekből a „nagy teljesítményű eszköz” a hálózatról működtetett (vezetékes) vagy az akkumulátorról üzemelő (vezeték nélküli) termékre utal.

#### MUNKATERÜLET

- A munkaterületet tartsa tisztán és jól megvilágítva. A rendetlen vagy sötét munkaterületek balesetekhez vezethetnek.
- Az elektromos szerszámgépeket ne működtesse robbanásveszélyes környezetben, mint például robbanásveszélyes folyadékok, gázok vagy porok jelenlétében. Az elektromos gépekben szikrák keletkeznek, amik begyújthatják a port vagy a gőzöket.
- Az elektromos szerszámgép használatakor a gyerekeket és a kívülállókat tartsa távol. A figyelem elterelődése az irányítás elvesztését okozhatja.

#### ELEKTROMOS BIZTONSÁG

- A szerszámgép dugaszának illeszkednie kell az aljzathoz. Semmilyen módon ne módosítsa a dugaszt. A földelt elektromos gépekhez ne használjon adapter dugaszt. A nem módosított és illeszkedő dugasz csökkenti az áramütés kockázatát.
- Kerülje az érintkezést földelt felületekkel, mint például csövekkel, radiátorokkal és hűtőkkel. Megnöveli az áramütés kockázatát, ha a teste földeltté válik.
- Ne tegye ki a terméket esőnek vagy nedves környezet hatásának. A szerszámgépekbe kerülő víz növeli az áramütés kockázatát.
- Ne rongálja meg a kábelt. A szerszámgép kábelét soha ne használja a szerszám hordozására, húzására vagy kihúzására. A kábelt hőtől, olajtól, éles tárgyaktól vagy mozgó alkatrészekről tartsa távol. A sérült vagy beakadt kábelek növelik az áramütés kockázatát.
- Szerszámgépnek a szabadban való működtetésekor kültéri használatra is megfelelő hosszabbító kábelt használjon. Kültéri használatra megfelelő hosszabbító kábel csökkenti az áramütés kockázatát.

- Ha a szerszámgép használata nedves környezetben elkerülhetetlen, használjon áram-védőkacsolót (RCD). Az RCD használata csökkenti az áramütés kockázatát.

#### SZEMÉLYI BIZTONSÁG

- Elektromos szerszámgép működtetésekor legyen mindig éber, figyeljen arra, amit csinál, és használja a józan eszét. Ne használja a szerszámgépet, ha fáradt vagy alkohol, gyógyszer illetve más tudatmódosító szerek hatása alatt áll. A gép használata közben már egyetlen figyelmen kívül hagyás is súlyos személyi sérüléshez vezethet.
- Használjon személyi védelmi eszközöket. Mindig viseljen védőszemüveget. A védelmi felszerelések, mint például a pormaszk, a csúszásmentes biztonsági lábbelik, a védősisak vagy a fülvédő megfelelő használata csökkenti a személyi sérüléseket.
- Kerülje el a véletlen bekapcsolást. A szerszám szállítása vagy felemelése, az áramellátás és/vagy akkumulátor csatlakoztatása előtt ellenőrizze, hogy a kapcsoló kikapcsolt állásban van. Szerszámgépek szállítása a kapcsolón tartott ujjal vagy bekapcsolt szerszámgépek áram alá helyezése balesetekhez vezethet.
- A szerszámgépről bekapcsolás előtt távolítson el minden beállító kulcsot és csavarkulcsot. Egy a szerszámgép forgó alkatrészén maradt beállító kulcs vagy csavarkulcs személyi sérülést eredményezhet.
- Ne hajoljon ki túlságosan. Mindig tartson megfelelő testtartást és egyensúlyt. Ez a szerszámgép jobb irányítását teszi lehetővé váratlan szituációkban.
- Viseljen megfelelő ruházatot. Ne vegyen fel laza ruhát vagy ékszereket. A haját és a ruházatát tartsa távol a mozgó alkatrészekről. A laza ruházat, ékszerek vagy a hosszú haj beakadhatnak a mozgó alkatrészekbe.
- Ha a gép el van látva porkivezető vagy -gyűjtő berendezésekhez való csatlakozási lehetőséggel, akkor ügyeljen rá, hogy ezeket csatlakoztassák és megfelelően használják. A porfogó használata csökkentheti a porral kapcsolatos veszélyeket.
- Ne töltse el elégedettséggel az, hogy a gyakori eszközhasználatból kellő jártasságot szerzett, és ne hagyja figyelmen kívül az eszköz biztonsági alapelveit. Egy figyelmen kívül hagyás a másodperc törtrésze alatt súlyos sérüléseket okozhat.

#### A SZERSZÁMGÉP HASZNÁLATA ÉS KARBANTARTÁSA

- Ne erőltesse a terméket. A feladathoz a megfelelő szerszámgép használja. A megfelelő szerszámgép jobb teljesítménnyel és sokkal biztonságosabban fog dolgozni olyan körülmények között, amilyenekre azt tervezték.
- Ne használja a szerszámgépet, ha a kapcsoló nem kapcsol be és ki. Bármilyen szerszámgép veszélyes, amit a kapcsolóval nem lehet irányítani, ezért azt meg kell javítani.
- Mielőtt beállítást végezne, tartozékokat cserélne vagy a nagy teljesítményű gépet eltávolítaná, húzza ki a csatlakozódugót a konnektorból és/vagy vegye ki az akkumulátort, ha eltávolítható. Az ilyen megelőző biztonsági óvintézkedések csökkentik a szerszámgép véletlen bekapcsolódásának kockázatát.



- A használaton kívüli gépet gyerekek számára nem elérhető helyen tárolja, és ne hagyja, hogy a szerszámgépet vagy a kézikönyvet nem ismerő személyek használják a szerszámgépet. Gyakorlatlan felhasználók kezében a szerszámgépek veszélyesek.
- Végezze el a nagy teljesítményű gépek és a tartozékok karbantartását. Ellenőrizze a mozgó alkatrészek akadását vagy helytelen beállítását, az alkatrészek törését és minden más körülményt, ami hatással lehet a szerszámgép működésére. Ha sérült, a szerszámgépet használat előtt meg kell javítani. Sok balesetet a rosszul karbantartott szerszámgépek okoznak.
- A vágószerszámok legyenek élesek és tiszták. A megfelelően karbantartott, éles vágóélű vágószerszámok kevésbé akadnak be és könnyebben irányíthatók.
- A szerszámgépet, a tartozékokat és a biteket stb. ezen utasításban leírtaknak megfelelően használja, figyelembe véve a munkakörülményeket és az elvégzendő feladatot. A szerszámgép rendeltetésétől eltérő műveletekre való használata veszélyes helyzeteket eredményezhet.
- A fogantyúkat és a fogófelületeket tartsa szárazon, tisztán, olajtól és kenőzsírtól mentesen. A csúszós fogantyúk és fogófelületek nem teszik lehetővé a gép kezelését és irányítását egy váratlan helyzetben.

## AKKUMULÁTOR SZERSZÁM GONDOZÁSA ÉS HASZNÁLATA

- Csak a gyártó által megadott töltővel töltsen az akkumulátorokat. Egy adott akkumulátortípushoz való töltő egy másik típusú akkumulátorral való használata tűzveszélyes lehet.
- A szerszámokat csak a hozzájuk való akkumulátorokkal üzemeltesse. Más akkumulátorok használata tűzveszélyes lehet, és sérüléseket okozhat.
- Az akkumulátort használaton kívül tartsa távol más fém tárgyaktól, úgymint gemkapcsoktól, érméktől, kulcsoktól, szögektől, csavaroktól vagy más kisméretű fém tárgyaktól, amelyek rövidre zárhatják a két érintkezőt. Az akkumulátor érintkezőinek rövidre zárása tüzet vagy égéseket okozhat.
- Nem megfelelő körülmények esetén folyadék távozhat az akkumulátorból, kerülje az azzal való érintkezést. Ha mégis érintkezik vele, öblítse le vízzel. Ha a folyadék szembe kerül, forduljon orvoshoz. Az akkumulátorból kifolyt folyadék irritációt vagy égéseket okozhat.
- Ne használjon sérült vagy átalakított akkucsomagot vagy eszközt. A sérült vagy átalakított akkumulátor előre nem látható módon üzemelhet, ami tüzet, robbanást, más kockázatot vagy sérülést okozhat.
- Ne tegye ki az akkucsomagot vagy az eszközt túl magas hőmérsékleti hatásnak és ne tegye tűzbe ezeket. A tűznek vagy a 130°C feletti hőmérsékletnek való kitettség robbanást okozhat.
- Tartsa be az összes feltöltési utasítást és ne töltsen az akkucsomagot vagy az eszközt az utasításban megadott hőmérséklet-tartományon kívül. A helytelen töltés vagy a megadott tartományon kívüli hőmérsékleten való feltöltés az akkumulátort károsíthatja, és a tűzveszély kockázatát növelheti.

## KARBANTARTÁS

- A szerszámgépet csak szakképzett szervizszakemberrel szervizeltesse, csak azonos cserealkatrészeket használva. Ez biztosítja, hogy a szerszámgép használata továbbra is biztonságos legyen.
- Soha ne javítson sérült akkucsomagokat. Az akkucsomagok javítását csak a gyártó vagy a hivatalos szervizek végezhetik.

## A VEZETÉK NÉLKÜLI SÖVÉNYNYÍRÓ BIZTONSÁGI FIGYELMEZTETÉSEI

- Tartsa távol minden testrészét a késtől. Ne távolítsa el a levágott anyagot, és ne tartsa a levágni kívánt anyagot mozgó kések mellett. A pengék a motor leállítása után még forognak. A termékek használata közben már egyetlen figyelmetlen pillanat is súlyos személyi sérüléshez vezethet.
- A sövényvágót a fogantyújánál fogva szállítsa, leállított késsel, vigyázza arra, hogy ne működtesse a kapcsolókat. A sövényvágó megfelelő szállítása csökkenti a véletlen elindulás és az ebből eredő, kések által okozott személyi sérülés kockázatát.
- A sövényvágó szállításakor vagy tárolásakor mindig illesse rá a késburkolatot. A sövényvágó megfelelő kezelése csökkenti a kések által okozott személyi sérülés kockázatát.
- A beragadt anyag kitisztításakor vagy az egység javításakor ügyeljen arra, hogy kikapcsoljon minden kapcsolót és kivegye vagy leválassza az akkumulátorcsomagot. Súlyos személyi sérülést okozhat, ha javítás vagy a beragadt anyag kitisztítása közben a szegélynyíró váratlanul elindul.
- A sövényvágót csak a szigetelt fogófelületeknél tartsa, mert a kés hozzáérhet rejtett vezetékekhez. Ha feszültség alatti vezetékkel érintkezik a kés, akkor a sövényvágó külvilággal érintkező fémrészei is áram alá kerülhetnek, és megrázhathják a kezelőt.
- Tartson minden tápkábelt és vezetéket távol a vágóterülettől. Tápkábelek és vezetékek lehetnek sövényben vagy bokorban rejtve, és a kés véletlenül elvághatja őket.
- Ne használja a sövényvágót rossz időjárási körülmények között, különösen villámás kockázata idején. Ez csökkenti a villámcsapás kockázatát.

## TOVÁBBI BIZTONSÁGI FIGYELMEZTETÉSEK

- Ne próbáljon olyan hajtásokat vagy faágakat átvágni, melyek vastagabbak mint 22 mm (RY18HT45A esetén) vagy 24 mm (RY18HT50A esetén), vagy amelyek nyilvánvalóan nem férnek be a vágókéshez. A vastagabb ágakat egy kézfűrész vagy ágazófűrész segítségével vágja le.
- Működtetése közben mindig stabilan, mindkét kezével fogja a terméket a két fogantyúnál.
- Minden használat előtt vizsgálja át a gépet. Ellenőrizze a meglazult alkatrészeket, az üzemanyag-szivárgást stb. Ügyeljen rá, hogy minden a védőburkolat, terelőlemez és fogantyú megfelelően fel legyen szerelve és rögzítve. Használat előtt cserélje ki az összes sérült alkatrészt. Ellenőrizze az akkumulátor szivárgását.
- Ellenőrizze a sövényeket és bokrokat, nincsenek-e bennük idegen tárgyak, mint például drótkerítések vagy rejtett vezetékek.





- A terméket csak a talaj szintjén használja, semmilyen más, ingatag támaszon ne.
- Ne használja a terméket rossz fényviszonyok között. A kezelőnek tiszta rálátással kell rendelkeznie a munkaterületre, hogy azonosíthassa a potenciális veszélyeket.
- Fülvédő viseletek csak korlátozottan hallja a figyelmeztetéseket (riasztást vagy kiáltást). A kezelőnek jobban oda kell figyelnie arra, hogy mi folyik a munkaterületen.
- Kapcsolja ki a terméket, vegye ki az akkumulátorcsomagot, és hagyja mindkettőt lehűlni. Ellenőrizze, hogy minden mozgó rész teljesen megállt:
  - mielőtt a vágóeszköz munkahelyzetét beállítja
  - szervizelés előtt
  - az eltömődés eltávolítása előtt
  - ellenőrzés, karbantartás vagy a gépen végzett bármilyen művelet megkezdése előtt;
  - kiegészítők cseréje előtt
  - mielőtt magára hagyná a terméket
  - mielőtt a sérülést ellenőrné, miután hozzáütődött az eszköz egy tárgyhoz
  - karbantartás előtt
  - ha a gép szokatlanul kezd rezegni
- Ne erőltesse a terméket nagyon sűrű bozótban. Ez a kések beakadását és a lelassulást okozhatja. Ha a kés lelassult, csökkentse a haladási sebességét.
- Ha a gép leesett, erős ütést kapott vagy rendellenesen kezd vibrálni, azonnal állítsa le a gépet, és vizsgálja át sérülések tekintetében vagy azonosítsa a vibráció okát. Minden sérülést hivatalos szervizközpontban kell megjavíttatni vagy kicseréltetni.
- Csak 0 °C és 40 °C közötti hőmérsékleten használja a készüléket.
- A készüléket 0 °C és 40 °C közötti hőmérsékleten tárolja.
- Hosszabb használat sérülést okozhat. Ha a gépet hosszú időn át kell használnia, tartson gyakran szünetet.

#### AZ AKKUMULÁTOR KIEGÉSZÍTŐ BIZTONSÁGI FIGYELMEZTETÉSEI

- A rövidzárlat általi tűz, sérülések vagy termékkárosodások veszélye elkerülésére ne merítse a szerszámot, a cserélhető akkut vagy a töltőkészüléket folyadékba, és gondoskodjon arról, hogy ne hatoljanak folyadékok a készülékekbe és az akkukba. A korrózió hatású vagy vezetőképes folyadékok, mint pl. a sós víz, bizonyos vegyi anyagok, fehérítők vagy fehérítő tartalmú termékek, rövidzárlatot okozhatnak.
- Olyan helyen töltsé az akkumulátort, ahol a környezeti hőmérséklet 10 °C és 38 °C között van.
- Az akkumulátort 0 °C és 40 °C közötti hőmérsékleten tárolja.
- Az akkumulátort 0 °C és 40 °C közötti hőmérsékleten használja.

#### SZÁLLÍTÁS ÉS TÁROLÁS

- Tárolás vagy szállítás előtt kapcsolja ki a terméket, vegye ki az akkucsomagot és hagyja kihűlni.
- Minden idegen anyagtól tisztítsa meg a terméket. Száraz, jól szellőztetett, gyerekektől elzárt helyen

tárolja a terméket. Az extra biztonság érdekében az akkumulátort a terméktől külön tárolja. A terméket tartsa távol a korrodáló szerektől, például kerti vegyszerektől vagy a jégmentesítő sótól. Ne tárolja a terméket kültéren.

- A termék tárolása vagy szállítása előtt tegye fel a késvédő fedelet.
- Szállításkor rögzítse a terméket elmozdulás és leesés ellen, hogy elkerülje a sérüléseket és a termék sérülését.

#### LÍTIUM AKKUMULÁTOROK SZÁLLÍTÁSA

Az akkumulátorokat a helyi és nemzeti előírásokkal és szabályokkal összhangban szállítsa.

Az akkumulátorok külső fél általi szállításakor kövesse a csomagolásra és a címkézésre vonatkozó speciális előírásokat. Ügyeljen arra, hogy az akkumulátorok ne érhessenek más akkumulátorokhoz vagy vezető anyagokhoz szállítás közben; ehhez a szabadon maradt csatlakozókat védje szigetelő fedéllel vagy szalaggal. Ne szállítson repedt vagy szivárgó akkumulátorokat. További információért vegye fel a kapcsolatot a továbbítást végző céggel.

#### KARBANTARTÁS

- Csak a gyártó eredeti cserealkatrészeit, tartozékait és szereléseit használja. Ennek figyelmen kívül hagyása gyenge motor teljesítményt, esetleges sérülést és a jótállás elvesztését okozhatja.
- szervizelés különös figyelmet és hozzáértést igényel, és csak szakképzett szerelő végezheti el. A terméket csak engedéllyel rendelkező szervizben javíttassa.
- A vágókések különösen élesek. A személyi sérülés megelőzése érdekében legyen különösen óvatos a késvédő tisztításakor, kenésekor, valamint fel- és leszerelésekor.
- A termék beállítása, karbantartása vagy tisztítása előtt vegye ki az akkumulátort.
- A használati útmutatóban leírt beállításokat és javításokat Ön is elvégezheti. Egyéb javítás tekintetében a terméket csak engedéllyel rendelkező szervizben javíttassa.
- Használat után a műanyag részeket tisztítsa meg puha, száraz ronggyal.
- Egy kemény kefével minden használat után tisztítsa meg a kést a hulladékoktól, majd a késvédő felszerelése előtt kenjen rá rozsdásodásgátlót. A gyártó azt javasolja, hogy permetezhető rozsdásodásgátlót és kenőanyagot vigyen fel egyenletes rétegen, mert azzal meggátolhatja a késsel való érintkezés miatti személyi sérüléseket. A megfelelő permetezhető termékről kérdezze a helyi hivatalos szervizközpontot.
- Gyakori időközönként ellenőrizze a csavaranyák, csavarok és fejescsavarok megfelelő meghúzását, hogy a termék biztonságos üzemi állapotban legyen. A sérült alkatrészeket egy hivatalos szervizközpontban kell megjavíttatni vagy kicseréltetni.

#### ISMERJE MEG A TERMÉKET

Lásd 106. oldal.

1. Késvédő
2. Elülső kioldó
3. Elülső fogantyú
4. Hátsó fogantyú
5. Kioldó



6. Kés
7. HEDGESWEEP hulladékseprű
8. Késvédő
9. Kezelői kézikönyv
10. Akkumulátor
11. Töltő

## SZIMBÓLUMOK A TERMÉKEN



Biztonsági figyelmeztetés



A termék használata előtt olvasson el és értsen meg minden utasítást. Tartsa be az összes figyelmeztetést és biztonsági utasítást.



Európai megfelelőségi jelölés



Brit megfelelőségi jelölés



Eurázsiai megfelelőségi jelzés



Ukrán megfelelőségi jelölés



A kiselejtezett elektromos termékeket nem szabad a háztartási hulladékkal együtt kidobni. Ezeket újra kell hasznosítani, ha van rá lehetőség. Az újrahasznosítással kapcsolatban érdeklődjön a helyi önkormányzatnál vagy a termék forgalmazójánál.



Viseljen védőszemüveget



Viseljen fülvédőt



Ne tegye ki esőnek, és ne használja nedves környezetben.



Viseljen csúszásgátló bevonatú, nehéz igénybevételre tervezett védőkesztyűt.



Használat közben mindig két kézzel fogja a sövényvágót.



A súlyos sérülések elkerülése végett ne érintse meg a vágókéseket.



Garantált hangteljesítményszint (RY18HT50A)



Garantált hangteljesítményszint (RY18HT45A)



Figyeljen a kivetett vagy repülő tárgyakra. Az összes nézelődő, különösen a gyerekek és a háziállatok, legyenek legalább 15 m-es távolságra a használati területtől.



A terméken végzett bármilyen munkálat előtt vegye ki az akkumulátort

## A KÉZIKÖNYVBEN HASZNÁLT SZIMBÓLUMOK



Figyelem



Megjegyzés





Au fost acordate priorități maxime asupra siguranței, performanței și fiabilității în proiectarea aparatului dvs. de tuns gardul viu fără cablu.

### UTILIZARE PREVĂZUTĂ

Mașina de tuns gard viu, cu acumulator, este concepută numai pentru utilizare în spații deschise, uscate și în condiții de iluminare bună.

Produsul este proiectat pentru uz casnic și domestic. Produsul este conceput pentru a tunde și a potrivi gardurile vii, tufele și altă vegetație asemănătoare.

Nu folosiți în alte scopuri.

### ATENȚIONĂRI GENERALE CU PRIVIRE LA SIGURANȚA ÎN UTILIZARE A DRUJBEI CU LANȚ

**⚠ AVERTISMENT!** Citiți toate instrucțiunile privind avertizările de siguranță, ilustrațiile și specificațiile furnizate împreună cu acest produs. Nerespectarea instrucțiunilor prezentate în continuare poate provoca accidente cum ar fi incendii, electrocutare și/sau vătămări corporale grave.

**Păstrați aceste avertismente și instrucțiuni, pentru a le putea consulta ulterior.**

Termenul „unealtă electrică” din avertizări se referă la unealta dvs. electrică alimentată la curent (cu fir) sau la baterie (fără fir).

### MEDIUL DE LUCRU

- **Mențineți curată și bine iluminată zona de lucru.** Zonele dezordonate și întunecate prezintă pericol de accidente.
- **Nu operați cu unealta electrică în atmosfere explozive, precum în prezența lichidelor, gazelor sau a prafului inflamabil(e).** Unelele electrice creează scântei care pot aprinde praful sau vaporii.
- **Țineți copiii și persoanele din jur la distanță în timpul operații unei unelte electrice.** Distragerea atenției vă poate face să pierdeți controlul.

### SIGURANȚĂ ELECTRICĂ

- **Ștecărele uneltelor electrice trebuie să se potrivească cu priza. Nu modificați niciodată ștecărul în nici un fel. Nu folosiți niciodată adaptoare de ștecăr cu unelte electrice cu împământare.** Ștecărele nemodificate și prizele potrivite reduc riscul de electrocutare.
- **Evitați contactul corpului cu suprafețele conectate la împământare, precum țevi, radiatoare, reșouri, mașini de gătit și frigider.** Există un risc crescut de electrocutare când corpul dumneavoastră are contact cu împământarea.
- **Nu expuneți produsul la ploaie sau condiții de umiditate.** Apa care intră într-o unealtă electrică va crește riscul de electrocutare.
- **Nu forțați cablul. Nu trageți niciodată unealta electrică de cablul de alimentare pentru a o transporta, a o trage sau a scoate ștecărul din priză. Țineți cablul de alimentare departe de căldură, ulei, muchii ascuțite sau piese în mișcare.** Cablurile deteriorate sau încurcate cresc riscul de electrocutare.
- **Atunci când lucrați cu o unealtă electrică în aer liber, folosiți un prelungitor adecvat pentru utilizarea în aer liber.** Folosirea unui prelungitor adecvat pentru utilizarea în aer liber reduce riscul de electrocutare.

- **În cazul în care operarea unei unelte electrice într-o zonă umedă nu poate fi evitată, folosiți o alimentare protejată cu un dispozitiv de curent rezidual (RCD).** Utilizarea unui RCD reduce riscul de electrocutare.

### SIGURANȚĂ PERSONALĂ

- **Fiți vigilenți, fiți atenți la ceea ce faceți, acționați cu simț practic când operați o unealtă electrică. Nu folosiți unealta electrică în timp ce sunteți obosit sau sub influența drogurilor, a alcoolului sau a medicamentelor.** Un moment de neatenție în timpul operații uneltelor electrice poate cauza vătămare personală gravă.
  - **Utilizați echipament personal de protecție. Purtați întotdeauna ochelari de protecție.** Echipamentele de protecție, precum masca de praf, încălțăminte de protecție antiderapantă, casca sau protecția auditivă, folosite în condiții adecvate, vor reduce riscul rănilor.
  - **Împiedică pornirea accidentală. Asigurați-vă că comutatorul este în poziția oprit înainte deconectarea la sursa de alimentare și / sau la acumulator, ridicarea sau transportul uneltei.** Transportarea uneltelor electrice cu degetul pe comutator sau punerea sub tensiune a uneltelor electrice care au comutatorul în poziția pornit predispune la accidente.
  - **Îndepărtați orice cheie de reglare înainte de a porni unealta.** O cheie sau rămasă atașată de o piesă rotativă a uneltei electrice poate cauza vătămări corporale.
  - **Nu vă aplecați excesiv. În timpul operații dispozitivului, păstrați-vă în permanență echilibrul și stabilitatea.** Acest lucru permite un mai bun control al uneltei electrice în situații neașteptate.
  - **Îmbrăcați-vă corespunzător. Nu purtați haine largi sau bijuterii. Păstrați-vă părul și îmbrăcămintea departe de piesele în mișcare.** Hainele largi, bijuteriile sau părul lung pot fi prinse de piesele aflate în mișcare.
  - **Dacă sunt prevăzute dispozitive pentru conectarea facilităților de extracție și de colectare a prafului, asigurați-vă că acestea sunt conectate și folosite corect.** Utilizarea colectării prafului poate reduce riscurile legate de praf.
  - **Obișnuința dobândită prin utilizarea frecventă a instrumentelor nu trebuie să vă facă impasibili și să ignorați principiile de siguranță privind instrumentele.** O acțiune neatență poate cauza vătămarea gravă într-o fracțiune de secundă.
- ### FOLOSIREA ȘI ÎNTREȚINEREA UNELTEI ELECTRICE
- **Nu forțați produsul. Folosiți unealta electrică corectă pentru aplicație.** Unealta electrică corectă va funcționa mai bine și mai sigur la viteza pentru care a fost proiectată.
  - **Nu folosiți unealta electrică dacă comutatorul nu o poate porni și opri.** Orice unealtă electrică, care nu poate fi controlată cu comutatorul este periculoasă și trebuie reparată.
  - **Înainte de a efectua reglaje, de a schimba accesoriile sau de a depozita o unealtă electrică, deconectați ștecherul de la rețea și/sau acumulatorul de la unealtă.** Astfel de măsuri preventive de siguranță reduc riscul de pornire accidentală a uneltei electrice.
  - **Nu lăsați unelte electrice la îndemâna copiilor și nu permiteți persoanelor nefamiliarizate cu unealta electrică sau cu aceste instrucțiuni să folosească unealta.** Unelele electrice sunt periculoase în mâinile utilizatorilor neinstruiți.





- Efectuați regulat lucrări de întreținere a uneltelor electrice și accesoriilor acestora. Verificați alinierea sau lipirea pieselor în mișcare, spargerea pieselor, precum și orice altă stare care poate afecta funcționarea unelei electrice. Dacă este deteriorată, solicitați repararea unelei înainte de utilizare. Multe accidente sunt cauzate de unelte electrice întreținute necorespunzător.
- Păstrați uneltele de tăiere ascuțite și curate. Uneltele de tăiere corect întreținute, cu muchii de tăiere ascuțite au o probabilitate mai redusă de lipire și sunt mai ușor de controlat.
- Folosiți unealta electrică, accesoriile și burghiile etc. în conformitate cu aceste instrucțiuni, ținând cont de condițiile de lucru și de lucrarea care urmează să fie efectuată. Utilizarea unelei electrice pentru alte operații decât cele preconizate poate duce la situații periculoase.
- Țineți mânerul și suprafețele de apucare uscate, curate, fără ulei sau grăsimi. Mânerul alunecoase și suprafețele neregulate nu permit o manipulare sigură și un control al aparatului în situații neașteptate.

#### UTILIZAREA ȘI ÎNTREȚINEREA UNELEI CU ACUMULATOR

- Reîncărcați numai cu încărcătorul specificat de producător. Un încărcător destinat unui anumit tip de acumulator este folosit la încărcarea altor acumulatori există pericolul de incendii.
- Folosiți uneltele electrice numai cu acumulatorii indicați. Utilizarea oricărui altă acumulatori poate crea un risc de vătămare și de incendiu.
- Atunci când acumulatorul nu este în uz, păstrați-l departe de alte obiecte metalice, cum ar fi agrafe de birou, monede, chei, cuie, șuruburi sau alte obiecte metalice mici, care pot face o conexiune de la o bornă la alta. Scurtcircuitarea bornelor bateriei poate provoca arsuri sau incendiu.
- Ca urmare a folosirii necorespunzătoare, din acumulator se poate scurge lichid; evitați contactul cu acesta. În cazul unui contact accidental, spălați cu apă. În cazul contactului cu ochii, consultați suplimentar un medicul. Lichidul care iese din acumulator poate provoca iritații sau arsuri.
- Nu utilizați acumulatori sau unelte deteriorate sau modificate. Acumulatorii deteriorați sau modificați au un comportament imprevizibil și prezintă pericol de incendiu, explozie sau accidentare.
- Nu expuneți acumulatorul sau unealta la foc sau temperaturi excesive. Expunerea la foc sau temperaturi de peste 130°C prezintă pericol de explozie.
- Respectați toate instrucțiunile de încărcare și nu încărcați acumulatorul sau unealta la temperaturi din afara intervalului specificat în instrucțiuni. Încărcarea necorespunzătoare sau la o temperatură din afara intervalului specificat poate deteriora acumulatorul și crește riscul de incendiu.

#### ÎNȚEȚINERE

- Solicitați efectuarea lucrărilor de service la unealta dvs. electrică numai de către o persoană calificată în reparații, folosind numai piese de schimb identice. Acest lucru va garanta că siguranța unelei electrice este menținută.

- Nu trebuie să efectuați niciodată reparații asupra acumulatorilor deteriorate. Reparațiile asupra acumulatorilor trebuie să fie efectuate numai de către producător sau de furnizorii de servicii autorizate.

#### AVERTISMENTE DE SIGURANȚĂ PENTRU MAȘINA HIBRID DE TUNS GARD VIU, FĂRĂ FIR.

- Feriți-vă părțile corpului de lamă. Nu îndepărtați materialul tăiat și nu țineți materialul ce urmează a fi tăiat, atunci când lamele sunt în mișcare. Lamele continuă să se rotească după oprirea motorului. Un moment de neatenție în timpul operării produsului poate rezulta în vătămare personală gravă.
- Transportați mașina de tuns gard viu ținând-o de mâner, cu lama oprită și având grijă să nu acționați comutatorul de pornire/oprire. Transportul corect al mașinii de tuns gard viu va micșora riscul de pornire accidentală și rănire personală datorată lamelor.
- A sövényvágó szállításakor vagy tárolásakor mindig illeszse rá a késburkolatot. A sövényvágó megfelelő kezelése csökkenti a kések által okozott személyi sérülés kockázatát.
- Când curățați materialul prins în echipament sau când efectuați operații de service, asigurați-vă că toate intrerupătoarele de la alimentarea cu energie sunt închise și că acumulatorul este scos sau deconectat. Súlyos személyi sérülés okozhat, ha javítás vagy a beragadt anyag kitisztítása közben a szegélynyíró váratlanul elindul.
- A sövényvágót csak a szigetelt fogófelületeknél tartsa, mert a kés hozzáérhet rejtejt vezetékhez. Ha feszültség alatti vezetékekkel érintkezik a kés, akkor a sövényvágó külvilággal érintkező fémrészei is áram alá kerülhetnek, és megrázhathják a kezelőt.
- Țineți toate cablurile de curent departe de zona de tundere. Cablurile sau cordoanele de curent pot fi ascunse în gard viu sau în tușișuri și pot fi tăiate accidental cu lama.
- Ne használja a sövényvágót rossz időjárás körülmények között, különösen villámlás kockázata idején. Ez csökkenti a villámcsapás kockázatát.

#### AVERTIZĂRI SUPPLEMENTARE DE SIGURANȚĂ

- Nu încercați să tăiați crenguțe sau lăstari mai groși de 22 mm, în cazul modelului RY18HT45A sau mai groși de 24 mm în cazul modelului RY18HT50A, ori care sunt evident mult prea groși pentru lama tăietoare. Utilizați un ferăstrău manual sau un ferăstrău pentru curățarea crengilor pentru a tăia tulpinile groase.
- În timp ce operați produsul, țineți-l întotdeauna ferm cu ambele mâini de cele două mâner.
- Inspectați aparatul înainte de fiecare folosire. Verificați dacă există șuruburi slăbite, scurgeri de combustibil etc. Asigurați-vă că toate dispozitivele de protecție și mânerul sunt fixate corect și strâns. Înlocuiți toate piesele deteriorate înainte de utilizare. Verificați dacă există scurgeri la nivelul acumulatorului.
- Verificați tușișurile și gardul viu să nu conțină obiecte străine, precum traverse de la gardul de fier sau cablaje ascunse.
- A terméket csak a talaj szintjén használja, semmilyen más, ingatag támaszon ne.
- Nu utilizați produsul în condiții de iluminare slabă.



Operatorul necesită o panoramă clară a zonei de lucru pentru identificarea potențialelor pericole.

- Fűlvédő viseletekor csak korlátozottan hallja a figyelmeztetéseket (riasztást vagy kiáltást). Operatorul trebuie să fie foarte atent la ceea ce se întâmplă în zona de lucru.
- Opriti echipamentul, scoateți acumulatorul și lăsați-le pe ambele să se răcească. Asigurați-vă că toate piesele mobile s-au oprit complet:
  - Înainte de a ajusta poziția de lucru a cuțitelor
  - Înainte de efectuarea reparațiilor
  - Înainte de a îndepărta un obiect ce a determinat un blocaj
  - Înainte de a verifica, curăța sau lucra asupra produsului
  - Înainte de a schimba accesoriile
  - Înainte de a lăsa produsul nesupravegheat
  - Înainte de a verifica dacă există o defecțiune după lovirea unui obiect
  - Înainte de executarea întreținerii
  - Dacă produsul începe să vibreze anormal
- Nu forțați produsul prin mărâciniș dens. Acest lucru poate cauza lipirea și încetinirea lamelor. În cazul în care lamele încetinesc, reduceți ritmul.
- Dacă produsul este scăpat, suferă un impact dur sau începe să vibreze anormal, opriti imediat produsul și inspectați dacă este deteriorat sau identificați cauza vibrației. Orice deteriorare trebuie reparată corespunzător sau înlocuită la un centru service autorizat.
- Operați cu produsul numai în medii cu valori de temperatură cuprinse între 0°C și 40°C.
- Depozitați produsul într-un loc unde temperatura ambientală este între 0°C și 40°C.
- Pot fi cauzate sau agravate vătămarile de la folosirea prelungită a aparatului. Atunci când folosiți o sculă pentru perioade prelungite, asigurați-vă că luați pauze regulate.

#### AVERTISMENTE SUPPLEMENTARE PRIVIND SIGURANȚA LA UTILIZAREA BATERIILOR

- A rövidzárlat általi tűz, sérülések vagy termékárosodások veszélye elkerülésére ne merítse a szerszámot, a cserélhető akkut vagy a töltőkészüléket folyadékokba, és gondoskodjon arról, hogy ne hatoljanak folyadékok a készülékekbe és az akkuba. Lichidele corosive sau cu conductibilitate, precum apa sărată, anumite substanțe chimice și înălbitori sau produse ce conțin înălbitori, pot provoca un scurtcircuit.
- Încărcați acumulatorul într-un loc unde temperatura ambientală este între 10°C și 38°C.
- Depozitați acumulatorul într-un loc unde temperatura ambientală este între 0°C și 40°C.
- Utilizați acumulatorul într-un loc unde temperatura ambientală este între 0°C și 40°C.

#### TRANSPORTAREA ȘI DEPOZITAREA

- Tárolás vagy szállítás előtt kapcsolja ki a terméket, vegye ki az akkucsomagot és hagyja kihűlni.
- Curățați toate materialele străine din produs. Száraz, jól szellőztetett, gerekektől elzárt helyen tálolja a

terméket. Pentru o siguranță suplimentară, păstrați bateria separat de produs. Păstrați produsul la distanță de agenți corozivi, precum substanțe chimice de grădină și săruri de dezghețare. Nu depozitați produsul în aer liber.

- Montați protecția lamei înainte de depozitarea uneltei sau în timpul transportului.
- Pentru transportare, fixați produsul împotriva mișcării sau căderii pentru a preveni vătămarea persoanelor sau deteriorarea produsului.

#### TRANSPORTAREA BATERIILOR DE LITIU.

Transportați bateriile în conformitate cu prevederile și reglementările locale și naționale.

Urmați toate cerințele speciale privind împachetarea și etichetarea atunci când transportați baterii către un terț. Asigurați-vă că nicio baterie nu poate să intre în contact cu alte baterii sau materiale conductive în timpul transportului prin protejarea conectorilor expuși cu bandă, capace izolatoare neconductive. Nu transportați bateriile ce sunt crăpate sau care au scurgeri. Verificați cu firma transportatoare pentru recomandări ulterioare.

#### ÎNȚEȚINEREA

- Folosiți doar piese de schimb, accesorii și atasamente originale ale producătorului. Neurmarea acestora poate cauza posibilă vătămare, slaba funcționare și ar putea anula garanția.
- Service-ul necesită atenție și cunoștințe deosebite și trebuie îndeplinit doar de către un tehnician service calificat. Duceți produsul la reparații numai într-un centru service autorizat.
- Lamele cuțitelor sunt extrem de ascuțite. Pentru a preveni vătămarea personală, acordați maximă atenție atunci când curățați, lubrifiați, fixați sau îndepărtați protecția lamei/discului.
- Scoateți acumulatorul înainte de reglarea, întreținerea sau curățarea uneltei.
- Puteți face reglaje și reparații descrise în acest manual de instrucțiuni. Pentru alte reparații, produsul trebuie prezentat numai unui centru de service autorizat.
- După fiecare utilizare curățați piesele din plastic cu o cârpă moale și uscată.
- După fiecare folosire, curățați resturile de pe lame/discuri cu o perie tare și apoi cu atenție aplicați un lubrifiant de prevenire a ruginei înainte a atașa protecția lamei/discului. A gyártó azt javasolja, hogy permetezhető rozsdásodásgátlót és kenőanyagot vigyen fel egyenletes rétegben, mert azzal meggátolhatja a késsel való érintkezés miatti személyi sérüléseket. Pentru informații privind spray-ul corespunzător, întrebați centrul dvs service local autorizat.
- Verificați toate piulițele, suruburile la intervale frecvente de timp ca să fie corespunzător strânse pentru a vă asigura că produsul este în stare de lucru în siguranță. Orice piesă deteriorată trebuie să fie reparată în mod corespunzător sau înlocuită de un service autorizat.

#### CUNOAȘTEȚI-VĂ PRODUSUL

Vezi pagina 106.

1. Element de protecție lamă
2. Trăgaciul frontal
3. Mâner anterior

4. Mănerul principal
5. Declanșator
6. Lamă
7. Dispozitiv de aspirat reziduuri HEDGESWEEP
8. Capac lamă
9. Manualul de operare
10. Acumulator
11. Încărcător

#### SIMBOLURILE DE PE PRODUS.



Avertizare de siguranță



Citiți și înțelegeți toate instrucțiunile înainte de a utiliza produsul. Respectați toate avertismentele și instrucțiunile de siguranță.



Marcajul european de conformitate



Marcajul britanic de conformitate



Marcaj de conformitate EurAsian



Marcajul ucrainian de conformitate



Deșeurile produselor electrice nu trebuie să fie înălțurate împreună cu deșeurile casnice. Vă rugăm reciclați acolo unde există facilități. Verificați la autoritatea dvs locală sau la vânzător pentru sfaturi privind reciclarea.



Purtați întotdeauna ochelari de protecție



Purtați protecție pentru urechi



Ne tegye ki esőnek, és ne használja nedves környezetben.



Purtați mănuși care nu alunecă, de protecție la sarcinile dificile.



Țineți întotdeauna motounealta de tuns gard viu cu ambele mâini atunci când funcționează.



Pentru prevenirea vătămării grave nu atingeți lamele de tăiere.



Nivel garantat al puterii acustice (RY18HT50A)



Nivel garantat al puterii acustice (RY18HT45A)



Feriți-vă de obiecte proiectate sau în zbor. Mențineți o distanță de cel puțin 15 m între zona de lucru și persoanele prezente, mai ales copii și animale.



Decuplați acumulatorul înainte de a realiza orice fel de operație de întreținere sau reparație asupra produsului.

#### SIMBOLURI DIN ACEST MANUAL



Avertisment



Notă



Izstrādājot šo jūsu bezvadu žoga trimmeris, īpaša uzmanība veltīta drošībai, veiktspējai un uzticamībai.

## PAREDZĒTAIS LIETOJUMS

Akumulatoru krūmu trimmeris ir paredzēts izmantošanai tikai ārpus telpām, sauos apstākļos pie laba apgaismojuma.

Šī ierīce ir paredzēta lietošanai mājās apstākļos. Produkts ir paredzēts krūmu, dzīvzogu un līdzīgu augu apgriešanai un līdzināšanai.

Nelietojiet citiem mērķiem.

## VISPĀRĒJIE PRODUKTA DROŠĪBAS BRĪDINĀJUMI

**▲ BRĪDINĀJUMS!** Izlasiet visus drošības brīdinājumus, norādes, ilustrācijas un specifikācijas, kas sniegtas kopā ar šo izstrādājumu. Visu uzskaitīto instrukciju neievērošana ir bīstama; tā var izraisīt elektrisko triecienu, aizdegšanos un/vai nopietnus miesas bojājumus.

Brīdinājumus un instrukcijas saglabājiet turpmākai uzziņai.

Apzīmējums "elektroinstruments" brīdinājumos attiecas uz jūsu elektroinstrumentu, kas tiek darbināts no elektroīkla (ar vadu) vai ar akumulatora (bezvadu) palīdzību.

### DARBA VIETA

- Turiet darba vietu tīru un labi apgaismotu. Pārblīvētās un tumšās vietas izraisa negadījumus.
- Nedarbiniet elektroinstrumentus sprādzienbīstamā vidē, piemēram, degošu šķidrumu, gāzu vai putekļu klātbūtnē. Elektroinstrumenti rada dzirksteles, kas var aizdedzināt putekļus vai gāzes.
- Neļaujiet bērniem un blakusstāvētājiem tuvoties darbā esošiem elektroinstrumentiem. Izkļaidības dēļ jūs varat zaudēt kontroli.

### ELEKTRODROŠĪBA

- Elektroinstrumenta kontaktdakšai jāatbilst kontaktligzdai. Nekad nepārveidojiet kontaktdakšu. Sazemētiem elektroinstrumentiem nelietojiet pārejas ligzdas. Nepārveidotas kontaktdakšas un atbilstošas kontaktligzdas samazinās elektriskā trieciena risku.
- Nepieļaujiet ķermeņa kontaktu ar sazemētām virsmām, piemēram, caurulēm, radiatoriem, pavardiem un saldētāvām. Ja jūsu ķermenis ir sazemēts, pastāv palielināts elektriskā trieciena risks.
- Nepakļaujiet precī lielumam vai slāpjiem apstākļiem. Ūdens iekļūšana elektroinstrumentā palielina elektriskā trieciena risku.
- Neizmantojiet kabeli nepareizi. Nekad neizmantojiet vadu, lai nestu, vilktu elektroinstrumentu vai atvienotu kontaktdakšu. Turiet kabeli tālu no siltuma avota, eļļas, asiem priekšmetiem vai kustīgām detaļām. Bojāts vai savērpts kabelis palielina elektriskā trieciena iespēju.
- Strādājot ar elektroinstrumentu ārpus telpām, lietojiet āra lietošanai piemērotu pagarinātāju. Elektriskā trieciena risku samazina lietošanai ārpus telpām piemērota kabeļa izmantošana.
- Ja elektroinstruments ir jālieto mitrās telpās, izmantojiet strāvas noplūdes automātslēdzi (RCD) barošanas vadā. Paliekošās strāvas ierīces izmantošana samazina elektriskā trieciena risku.

### PERSONISKĀ DROŠĪBA

- Uzmanieties darba laikā un izmantojiet veselo saprātu, darbojoties ar elektroinstrumentu. Neizmantojiet elektroierīci, ja esat noguris vai narkotisko vielu, alkohola vai medikamentu ietekmē. Neuzmanības brīdis, strādājot ar elektroinstrumentiem, var izraisīt smagus ievainojumus.
- Lietojiet personīgo aizsargaprīkojumu. Vienmēr lietojiet aizsargbrilles. Aizsargaprīkojums, piemēram, putekļu maska, neslīdoši aizsargapavi, aizsargķivere vai ausu aizsargi, kas lietoti atbilstošos apstākļos, samazina personas ievainojumu iespēju.
- Nepieļaujiet nejašu iedarbināšanu. Pirms pievienot enerģijas avotam un/vai akumulatoram, pacelt un pārvietot darbarīku, pārliecinieties, ka slēdzis ir izslēgtā stāvoklī. Elektroinstrumentu pārnēsāšana, turot pirkstu uz slēdža vai ieslēgtu elektroinstrumentu pārnēsāšana var izraisīt nelaimes gadījumus.
- Noņemiet visas regulēšanas uzgriežņu atslēgas pirms elektroierīces ieslēgšanas. Uzgriežņu atslēga vai atslēga, kas palikusi piestiprināta pie elektroinstrumenta rotējošās detaļas, var izraisīt personas ievainojumu.
- Nepersitempkite. Visu laiku stāviet stingri un stabili. Tas ļauj labāk vadīt elektroinstrumentu negaidītās situācijās.
- Apģērbieties pareizi. Nevalkājiet vaļīgu apģērbu vai rotaslietas. Netuviniet matus un apģērbu kustīgajām daļām. Vaļīgs apģērbs, rotaslietas vai gari mati var tikt ierauti starp kustīgām detaļām.
- Ja ierīce ir aprīkota ar putekļu nosūcēja un savācēja pievienojumu, pārliecinieties, ka tas ir pievienots un tiek pareizi lietots. Putekļu savācēja lietošana var samazināt putekļu izraisītos riskus.
- Neļaujiet biežas instrumentu lietošanas radītam pieradumam ļaut palikt nevērīgam un neievērot instrumentu drošības principus. Neuzmanīga rīcība var radīt smagas traumas tikai dažu sekunžu laikā.

### ELEKTROINSTRUMENTU LIETOŠANA UN APRŪPE

- Nepielietojiet spēku, izmantojot ražojumu. Izmantojiet savam darbam atbilstošu elektroierīci. Pareizais elektroinstruments veiks darbu labāk un drošāk ar ātrumu, kādam ticis konstruēts.
- Nelietojiet elektroinstrumentu, ja ar slēdzi to nevar ieslēgt un izslēgt. Ja elektroinstrumentu nevar vadīt ar slēdzi, tas ir bīstams un jāremontē.
- Atvienojiet kontaktdakšu no sprieguma avota un/vai noņemiet akumulatoru bloku no elektroinstrumenta, pirms veikt jebkādu regulēšanu vai darba piederumu maiņu vai novietot elektroinstrumentu glabāšanai. Šādi profilakses pasākumi samazina elektroierīces nejašas iedarbināšanas iespēju.
- Glabājiet neizmantotus elektroinstrumentus bērniem nepieejamās vietās un neļaujiet neapmācītām personām darboties ar elektroinstrumentiem. Elektroinstrumenti ir bīstami neapmācītu personu rokās.
- Uzturiet elektroinstrumentus un to aksesuārus kārtībā. Pārbaudiet kustīgo detaļu savienojumu pareizību, detaļu berzi un citus apstākļus, kas var ietekmēt elektroinstrumenta darbu. Ja elektroinstruments ir bojāts, pirms lietošanas veiciet tā remontu. Daudzus negadījumus izraisa slikti apkopti elektroinstrumenti.





- **Turiet griezējriekus asus un tīrus.** Pareizi apkopti griezējinstrumenti ar asām griezējšķautnēm retāk pielīp un ir vieglāk vadāmi.
- **Izmantojiet elektroierīci, piederumus, darbinstrumentus u.c. saskaņā ar šiem norādījumiem, ņemiet vērā darba apstākļus un veicamo darbu.** Elektroinstrumenta izmantošana neparedzētu darbību veikšanai var radīt bīstamu situāciju.
- **Rokturkiem un citām satverošām virsmām ir jābūt sausām, tīrām un bez eļļas un smērvielu plankumiem.** Negaidītās situācijās slideni rokturi un slidenā satvēriena virsmas padara darbarīka lietošanu nedrošu un nekontrolējamu.

## AKUMULATORU INSTRUMENTA LIETOŠANA UN APRŪPE

- **Uzlādējiet tikai ar ražotāja noteikto lādētāju.** Lādētājs, kas paredzēts lietošanai ar viena veida akumulatoru, var būt ugunsnedrošs, ja to izmanto ar citu akumulatoru.
- **Lietojiet elektriskos instrumentus tikai ar konkrētajai ierīcei paredzēto akumulatoru.** Jebkura cita akumulatora lietošana var radīt ievainojumu un ugunsgrēka risku.
- **Kad nelietojat akumulatoru, neturiet to citu metāla priekšmetu tuvumā, piemēram: papīra saspaušanas, monētas, atslēgas, naglas, skrūves vai citi sīki metāla priekšmeti, kas var veidot savienojumu starp spailēm.** Akumulatora spaiļu īsslēgums var radīt aizdegšanos vai ugunsgrēku.
- **Nepareizas rīcības gadījumā no akumulatora var izkļūt šķidrums; izvairieties no saskares ar to.** Nejaucas saskares gadījumā skalojiet skarto vietu ar ūdeni. Ja šķidrums iekļūst acīs, nekavējoties meklējiet medicīnisko palīdzību. No akumulatora izkļuvašais šķidrums var izraisīt kairinājumu vai apdegumus.
- **Neizmantojiet akumulatoru bloku, kas ir bojāts vai pārveidots.** Bojāts vai pārveidots akumulatoru bloks var izraisīt neparedzamu darbību, kas var izraisīt uzliesmošanu, sprādzienu vai ievainojumu risku.
- **Nepakļaujiet akumulatoru bloku vai instrumentu liesmu vai paaugstinātas temperatūras iedarbībai.** Pakļaujot liesmām vai temperatūrai virs 130°C var izraisīt sprādzienu.
- **Ievērojiet visas lādēšanas instrukcijas un nelādējiet akumulatoru bloku vai instrumentu, ja temperatūra ir ārpus diapazona, kas norādīts instrukcijās.** Nepareiza lādēšana vai lādēšana temperatūrā, kas ir ārpus norādītā diapazona, var izraisīt akumulatora bojājumus un palielināt uzliesmošanas risku.

## APKOPE

- **Vai jūsu elektroinstrumentu apkalpo kvalificēts personāls, izmantojot tikai identiskas rezerves daļas.** Tas nodrošinās elektroinstrumenta drošības saglabāšanu.
- **Nekad neveiciet bojātu akumulatoru bloku remontu.** Akumulatoru bloku remontu drīkst veikt tikai ražotājs vai pilnvarots servisa nodrošinātājs.

## AKUMULATORA DZĪVŽOGA ŠĶĒRU DROŠĪBAS BRĪDINĀJUMI

- **Turiet visas ķermeņa daļas nost no asmens.** Nenonemiet sagrieztus materiālus un neturiet griešanai paredzētus materiālus, kad asmeņi atrodas kustībā. Asmeņi turpina griezties pēc motora izslēgšanas. Neuzmanīga rīcība, darbojoties ar ierīci var radīt smagu personisku traumu.
- **Nesiet krūmu trimmeri aiz roktura, ar stāvošu asmeni un ievērojiet piesardzību, lai nenospiestu ieslēgšanas slēdzi.** Pareiza krūmu trimmera nešana samazinās nejaucas ieslēgšanās un tās izraisīto ievainojumu no asmeņiem risku.
- **Transportējot vai glabājot krūmu trimmeri, vienmēr izmantojiet asmens uznavu.** Pareiza apiešanās ar krūmu trimmeri samazinās ievainojumu no asmeņiem risku.
- **Izņemot iestrēgušu materiāli vai veicot ierīces apkopi, pārliecinieties, ka visi barošanas slēdži ir izslēgti un akumulatora bloks ir noņemts vai atvienots.** Neparedzēta krūmgrieža iedarbināšana, veicot iestrēguša materiāla izņemšanu vai apkopi, var izraisīt smagus ievainojumus.
- **Turiet krūmu trimmeri tikai aiz izolētajām satveršanas virsmām, jo motorzāģis var saskarties ar iekšējo vadu instalāciju.** Asmeņu saskarsme ar zem sprieguma esošu vadu var radīt strāvas noplūdi uz krūmu trimmera metāla daļām un izraisīt lietotāja elektrotraumas.
- **Turiet visus elektrības vadus un kabelus atstatu no pļaušanas zonas.** Elektrības vadi var būt apslēpti krūmos vai dzīvžogā, tāpēc tos ar asmeni var nejauci pārgriezt.
- **Neizmantojiet krūmu trimmeri sliktos laika apstākļos, it īpaši, pastāvot zibens riskam.** Tas samazina zibens spēriena saņemšanas risku.

## PAPILDU DROŠĪBAS BRĪDINĀJUMI

- **Nemēģiniet zāgēt zarus, kas resnāki par 22mm ar RY18HT45A vai 24 mm RY18HT50A, vai ir acīmredzami pārāk resni, lai tos ievadītu griešanas asmeni.** Izmantojiet neelektrisko rokas zāģi vai dārznieka zāģīti, lai apgrieztu lielus stublājus.
- **Rīkojoties ar produktu, vienmēr turiet to stingri ar abām rokām pie abiem rokturiem.**
- **Pirms katras lietošanas reizes pārbaudiet ierīci.** Pārbaudiet vai nav vaļīgu stiprinājumu, degvielas sūci utt. Pārbaudiet, vai visi aizsargi un rokturi ir pareizi un stingri piestiprināti. Pirms lietošanas nomainiet visas bojātās detaļas. Pārbaudiet sūces akumulatora komplektā.
- **Pārbaudiet dzīvžogus un krūmus, vai tajos nav svešķermeņu, piemēram stieplu žogi vai apslēpti elektrības vadi.**
- **Produktu var izmantot tikai no zemes līmeņa, neizmantojot nekādus nestabilus palīktnus.**
- **Neizmantojiet pūtēju sliktā apgaismojuma apstākļos.** Lietotājam jābūt pilnai redzamībai pār darba zonu, lai spētu identificēt iespējamus draudus.
- **Dzirdes aizsargu lietošana mazinās jūsu spēju dzirdēt brīdinājumus (bļāvienus vai skaņas signālus).** Operatoram jāpievērš sevišķu uzmanību tam, kas notiek darba zonā.





- Izslēdziet produktu, noņemiet akumulatoru bloku un ļaujiet tiem atdzist. Pārlicinieties, ka visas kustīgās daļas ir pilnīgi apstājušās:
  - pirms griešanas pielāgojuma darba stāvokļa regulēšanas
  - pirms sākt apkopi
  - pirms nosprostojumu tīrīšanas
  - pirms iekārtas pārbaudes, tīrīšanas vai labošanas
  - pirms papildaprīkojuma nomaiņas
  - pirms atstāt izstrādājumu bez uzraudzības
  - pirms pārlicināties, vai pēc atsitiņa pret priekšmetu nav bojājumu
  - pirms apkopes veikšanas
  - ja iekārta sāk neparasti vibrēt
- Nevirziet izstrādājumu ar spēku caur bieziem krūmiem. Tas var izraisīt asmeņu darbības palēnināšanos un iesprūšanu. Ja asmeņu kustības ātrums samazinās, palēniniet gaitu.
- Ja ierīce tiek nomesta, tā ir saskārusies ar smagu triecienu vai tā sāk nevaldāmi vibrēt, nekavējoties izslēdziet ierīci un centieties atrast bojājumu vai arī cēloni šādai vibrācijai. Jebkāda tehniska apkope ir jāveic tikai autorizētos tehniskās apkopes centros.
- Izmantojiet produktu tikai apkārtējās vides temperatūras diapazonā no 0°C un 40°C.
- Glabājiet produktu vietā, kurā apkārtējās vides temperatūra ir starp 0°C un 40°C.
- Ilgstoša preces lietošana var radīt ievainojumus vai pasliktināt jau esošos. Ilgstoši lietojot jebkuru instrumentu, pārlicinieties, ka tiek veikti regulāri pārtraukumi.

### PAPILDU AKUMULATORU BLOKA DROŠĪBAS BRĪDINĀJUMI

- Lai novērstu īssavienojuma izraisītu aizdegšanās, savainojumu vai produkta bojājuma risku, neiegremdējiet instrumentu, maināmo akumulatoru vai uzlādes ierīci šķidrums no rūpējieties par to, lai ierīcēs un akumulatoros neieklūtu šķidrums. Koroziju izraisoši vai vadītspējīgi šķidrums, piemēram, sālsūdens, noteiktas ķīmikālijas, balinātāji vai produkti, kas satur balinātājus, var izraisīt īssavienojumu.
- Veiciet akumulatora bloka nomaiņu vietā, kur temperatūra ir starp 10°C un 38°C.
- Glabājiet akumulatoru bloku vietā, kurā apkārtējās vides temperatūra ir starp 0°C un 40°C.
- Izmantojiet akumulatoru bloku vietā, kurā apkārtējās vides temperatūra ir starp 0°C un 40°C.

### TRANSPORTĒŠANA UN UZGLABĀŠANA

- Pirms produkta novietošanas glabāšanai vai transportēšanas, izslēdziet to, noņemiet akumulatoru bloku un ļaujiet tam atdzist.
- Notīriet visus svešķermeņus no izstrādājuma. Uzglabājiet izstrādājumu labi vēdinātā vietā, kas nav pieejama bērniem. Papildu drošībai, uzglabājiet akumulatoru atsevišķi no produkta. Sargiet izstrādājumu no korozīvām vielām, piemēram, dārze ķīmikālijām un pretapledošanas sāls. Neglabājiet produktu ārpus telpām.
- Uzlieciet asmens uzliku pirms novietot produktu glabāšanai vai pirms transportēšanas.

- Transportējot nostipriniet ierīci, lai tā nekustētos un neapgāztos, jo tas var izraisīt miesas bojājumus un ierīces bojājumus.

### LITIJA BATERIJU TRANSPORTĒŠANA

Transportējiet baterijas saskaņā ar vietējiem un valsts noteikumiem un regulām.

Ievērojiet visas īpašās prasības saistībā ar iepakojšanu un marķēšanu, transportējot trešās puses baterijas. Nodrošiniet, ka baterijas transportā nevar nonākt saskarē ar citām baterijām vai vadītspējīgiem materiāliem, aizsargājot atklātos savienotājus ar nevaldošiem izolācijas vāciņiem vai lentēm. Netransportējiet iekļautas baterijas vai baterijas, kurām ir noplūde. Lūdziet padomu kravu pārvadāšanas uzņēmumam.

### APKOPE

- Lietojiet tikai oriģinālās ražotāja rezerves daļas, piederumus un uzgaļus. Pretējā gadījumā var tikt radīti ievainojumi un parādīts slikts sniegums, kā arī var tikt anulēta garantija.
- Aptarnavimā atlikti būtina itin atdīžai, todėl rekomenduojame, kad tehniņę apžiūrą vykdytu kvalifikuotas specialistas. Veiciet apkalpošanu tikai pilnvarotā servisa centrā.
- Cērtšie asmeņi ir ļoti asi. Lai novērstu ievainojumus, ievērojiet īpašu piesardzību tīrot, ieeļļojot, un pieliekot vai noņemot asmeņu aizsargu.
- Noņemiet akumulatoru bloku pirms produkta regulēšanas, uzturēšanas vai tīrīšanas.
- Daudzus šajā lietotāja rokasgrāmatā aprakstītos regulēšanas un remontdarbus varat veikt pats. Citiem produkta remontiem nogādājiet produktu apkopei tikai pilnvarotā servisa centrā.
- Pēc katras lietošanas notīriet plastikāta daļas ar mīkstu, sausu drānu.
- Pēc katras lietošanas reizes, notīriet iežus no asmeņiem ar stingru otiņu, un uzmanīgi uzklājiet pret rūsu aizsargājošu eļļu, pirms pieliekat asmeņu aizsargus. Ražotājs iesaka vienmērīgi uzklāt un lietot pret rūsu aizsargājošu un ieeļļojošu aerosolu, lai samazinātu risku savainoties darboties ap asmeņiem. Konsultējieties ar vietējo autorizēto pārstāvi, lai iegūtu informāciju par piemērotiem līdzekļiem.
- Regulāri pārbaudiet visus uzgriežņus, stiprinājumus un skrūves, lai pārlicinātos, ka tās ir cieši pievilktas un izstrādājums ir drošā darba stāvoklī. Jebkura bojāta detaļa jānodod remontam vai nomainā pilnvarotā apkopes centrā.

### PAZĪSTIET SAVU IERĪCI

Skatīt 106. lappusi

1. Asmens aizsargs
2. Priekšējā mēlīte
3. Priekšējais rokturis
4. Aizmugurējais rokturis
5. Mēlīte
6. Asmens
7. HEDGESWEEP grūzu slaucītājs
8. Asmens vāks
9. Lietotāja rokasgrāmatā
10. Akumulators
11. Lādētājs



## UZ PRECES ESOŠIE SIMBOLI



Drošības brīdinājums



Izlasiet un izprotiet visas norādes pirms produkta lietošanas. Ievērojiet visus brīdinājumus un drošības norādes.



Eiropas atbilstības zīme



Lielbritānijas atbilstības zīme



EurAsian atbilstības marķējums



Ukrainas atbilstības zīme



Izlietotie elektroprodukti nedrīkst tikt izmesti kopā ar mājsaimniecības atkritumiem. Lūdzu, nododiet tos attiecīgajās atk ar totas izmantošanas vietās. Sazinieties ar savu vietējo varas pārstāvi vai izplatītāju, lai noskaidrotu, kur iespējama atkārtota pārstrāde.



Valkājiet acu aizsargaprīkojumu



Lietojiet dzirdes aizsargus



Nepakļaujiet lietum vai mitriem apstākļiem.



Nēsājiet neslīdošus, smagam darbam piemērotus aizsargcimdus.



Vienmēr, strādājot ar dzīvzoga trimmeri, turiet to ar abām rokām.



Lai novērstu smagu traumu iegūšanu, nepieskarieties zāģa asmeņiem.



Garantētais skaņas intensitātes līmenis (RY18HT50A)



Garantētais skaņas intensitātes līmenis (RY18HT45A)



Sargieties no izmestiem vai lidojošiem priekšmetiem. Nodrošiniet, ka nepiederošas personas, bērni un dzīvnieki atrodas vismaz 15 m attālumā no darba zonas.



Noņemiet akumulatora bloku pirms veikt jebkādas darbus ar pūtēju.

## SIMBOLI ŠAJĀ ROKASGRĀMATĀ



Brīdinājums



Piezīme





Projektuojant belaidę krūmaprovę, didžiausias prioritetas suteiktas saugai, eksploatacinėms savybėms ir patikimumui.

## NAUDOJIMO PASKIRTIS

Ši akumuliatorinė krūmaprovė skirta naudoti tik lauke, sausomis ir pakankamo apšvietimo sąlygomis.

Gaminys skirtas namų savininkams arba buitiniams naudojimui. Šis įrenginys skirtas gyvatvorėms, krūmokšniams ir panašiai augmenijai genėti.

Nenaudokite kitais tikslais.

## BENDROSIOS ĮRENGINIO NAUDOJIMO SAUGOS TAISYKLĖS

**⚠ ĮSPĖJIMAS!** Perskaitykite visus su šiuo gaminiu pateiktus saugos įspėjimus, nurodymus, paveikslėlius ir specifikacijas. Apačioje išdėstytų instrukcijų nesilaikymas gali sukelti elektros smūgį, gaisrą ir (ar) sunkius asmens sužeidimus.

**Saugokite šiuos įspėjimus ir nurodymus, kad galėtumėte vadovautis jais vėliau.**

Įspėjimuose naudojama sąvoka „elektrinis įrankis“ reiškia prie elektros tinklo jungiamą (laidinį) elektrinį įrankį arba akumuliatoriumi maitinamą (belaidį) įrenginį.

### DARBO APLINKA

- Darbo vieta turi būti švari ir gerai apšviesta. Nelaimingi atsitikimai įvyksta netvarkingose ar tamsiose vietose.
- Nenaudokite elektrinių įrankių, jei šalia yra degios ir sprogti galinčios medžiagos (skysčiai, dujos ar dulksės). Elektriniai įrankiai kibirkščiuoja ir gali uždegti dulkes arba garus.
- Neleiskite vaikams ir šalia esantiems asmenims būti šalia įjungto elektrinio įrankio. Išsiblaškę galite prarasti kontrolę.

### ELEKTROS SAUGA

- Elektrinio įrankio kištukai turi atitikti kištukinį lizdą. Niekada nekeiskite kištuko. Su žemintais (žeminiuo) elektriniais įrankiais niekada nenaudokite kištukų adapterių. Nepakeisti kištukai ir atitinkantys lizdai sumažina elektros smūgio pavojų.
- Stenkitės nesiliesti prie įžemintų ar įžeminimo paviršių (vamzdžių, radiatorių, grandinių / viryklių, šaldytuvų). Įžeminius savo kūną, padidės elektros smūgio pavojus.
- Gaminio negalima naudoti ar laikyti lietuje ar drėgmėje. Dėl vandens, patekusio į elektrinį įrankį, padidėja elektros smūgio pavojus.
- Laidą naudokite pagal jo paskirtį. Niekada jo nenaudokite elektriniams įrankiams pernešti, tempti ar išjungti. Saugokite maitinimo laidą nuo karščio, tepalų, aštrių kampų ir judančių detalių. Pažeisti ar supainioti laidai padidina elektros smūgio galimybę.
- Dirbdami su elektriniu įrankiu lauke, naudokite tik lauke naudoti skirtus ilginamuosius laidus. Naudojant tinkamą laukui laidą sumažinama elektros smūgio tikimybė.
- Jei būtina naudotis elektriniu įrankiu drėgnomis oro sąlygomis, naudokite likutinės srovės prietaisą (RCD). Naudojant RCD sumažinama elektros smūgio tikimybė.

### ASMENINĖ SAUGA

- Būkite budrūs ir stebėkite, ką darote, bei sąmoningai naudokite elektrinį įrankį. Nesinaudokite įrankiu, kai esate pavargę ar paveikti narkotinių medžiagų, alkoholio ar vaistų. Neatidumas darbo su elektriniu įrankiu metu gali sukelti sunkius sužeidimus.
- Naudokite asmeninės apsaugos įrangą. Visada dėvėkite akių apsaugos priemones. Atitinkamomis sąlygomis naudojamos apsaugos priemonės, pvz. dulkių kaukė, neslystantys apsauginiai batai, šalmas ar apsaugos ausims, sumažina asmeninių sužeidimų pavojų.
- Saugokitės, kad įrankis netyčia neįsijungtų. Įsitinkinkite, kad prieš prijungiant įrankį prie maitinimo šaltinio ir (ar) baterijos, pakeliant ar nešant įrankį, jungiklis yra išjungtas. Nešant elektrinį įrankį, uždėjęs pirštą ant jungiklio, arba elektrinį įrankį, kurio jungiklis yra įjungtoje padėtyje, gali įvykti nelaimingas atsitikimas.
- Prieš įjungiant elektrinį įrankį, išimkite derinimo raktą ar veržliaraktį. Jei juos paliksite pridėtus prie besisukančios įrankio dalies, galite susižaloti.
- Nepersitempkite. Visada tvirtai stovėkite ir išlaikykite pusiausvyrą. Tai padės geriau kontroliuoti įrankį netikėtų situacijų metu.
- Dėvėkite tik darbai tinkamus drabužius. Nedėvėkite laisvų, neprikludusių drabužių ir juvelyrinių dirbinių. Saugokitės, kad judančios dalys neįtrauktų plaukų ir drabužių. Laisvi drabužiai, papuošalai ar ilgi plaukai gali įsipainioti į judančias įrankio dalis.
- Jei įrengti dulkių ištraukimo ir surinkimo įrenginiai, įsitinkinkite, kad jie prijungti ir naudojami tinkamai. Su dulkmėmis susijusiam pavojui sumažinti naudokite dulkių surinkimą.
- Nepasitikėkite vien savo patirtimi, įgyta dažnai naudojantis įrankiais, – neignoruokite įrankio naudojimo saugos taisyklių. Nerūpestingai elgiantis, galima susižeisti per sekundes dalį.

### ELEKTRINIO ĮRANKIO NAUDOJIMAS IR PRIEŽIŪRA

- Nenaudokite per didelės jėgos. Pritaikykite tinkamą elektrinį įrankį atliekamam darbui. Naudodami pagal paskirtį pagamintą tinkamą elektrinį įrankį, darbą atliksite geriau ir saugiau.
- Nenaudokite elektrinio įrankio, jei jungiklio negalite įjungti ir išjungti. Jungikliu nevaldomas elektrinis įrankis yra pavojingas ir jį reikia taisyti.
- Ištraukite kištuką iš energijos šaltinio ir (arba) išimkite iš elektrinio įrankio akumuliatorių, ir tik po to atlikite elektrinių įrankių reguliavimo, priedų keitimo arba paruošimo sandėliavimui darbus. Tokios saugumo priemonės apsaugos nuo atsitiktinio įrankio įsijungimo.
- Laikykite elektrinį įrankį vaikams neprieinamoje vietoje ir neleiskite juo naudotis asmenims, kurie nemoka juo naudotis. Neįgudusiems asmenims elektriniai įrankiai yra pavojingi.
- Prižiūrėkite elektrinius įrankius ir priedus. Patikrinkite judančių detalių nesutapimus, sukibimą, ar sumontuotos detalės nesulūžusios bei kitą būklę, kuri gali turėti neigiamos įtakos įrankio veikimui. Jei įrankis sugedęs, prieš naudojimą jį reikia suremontuoti. Nemažai nelaimingų atsitikimų įvyksta dėl netinkamai prižiūrimų elektrinių įrankių.





- **Pjovimo įrankius reikia pastoviai galąsti ir valyti.** Tinkamai prižiūrėti aštriais ašmenimis pjovimo įrankiai mažiau stringa ir juos lengviau valdyti.
- **Naudokite elektrinius įrankius, atsargines detales, gražtus ir t. t., pagal šias instrukcijas ir atsižvelgdami į darbo sąlygas bei turimą atlikti darbą.** Naudokite elektrinį įrankį tik pagal tiesioginę paskirtį, kitaip sukelsite pavojingą situaciją.
- **Rankenos ir suėmimo paviršiai turi būti sausi, švarūs ir nesutepti alyva ar tepalais.** Jeigu rankenos ar suėmimo paviršiai slidūs, krūmapjovę naudoti ir valdyti nesaugu netikėtomis situacijomis.

## AKUMULIATORINIO ĮRANKIO NAUDOJIMAS IR PRIEŽIŪRA

- **Pakartotinai kraukite prietaisą tik naudodami gamintojo nurodytą kroviklį.** Vieno tipo akumuliatoriui tinkantis įkroviklis gali kelti gaisro pavojų kitokiam akumuliatoriui.
- **Elektrinius įrankius naudokite tik su jiems skirtais baterijų paketais.** Naudojant kitokius akumulatorius, galima susižeisti ar sukelti gaisrą.
- **Kai akumuliatorius nenaudojamas, jį laikykite toliau nuo kitų metalinių daiktų, pavyzdžiui, sąvaržėlių, monetų, raktų, vinių, varžtų ar kitų mažų metalinių daiktų, kurie vieną gnybtą gali sujungti su kitu.** Sutrumpinus vieną akumuliatoriaus gnybtą su kitu, galima nusideginti arba sukelti gaisrą.
- **Netinkamomis sąlygomis iš akumuliatoriaus gali ištėkėti skystis - nelieskite jo.** Jei atsitiktinai prisilietėte - nuplaukite vandeniu. Jei skystis pateko į akis, nedelsiant kreipkitės į gydytoją. Iš akumuliatoriaus ištėkėjęs skystis gali nudeginti ar sukelti sudirginimus.
- **Nenaudokite akumuliatorių bloko ar įrankio, kuris yra sugadintas arba pakeistas.** Sugadinti arba pakeisti akumuliatoriai gali veikti neprognozuojamai ir dėl to gali kilti gaisras, sprogimas arba pavojus susižaloti.
- **Saugokite akumuliatorių nuo ugnies ir pernelyg aukštos temperatūros.** Patekus į ugnį arba veikiant aukštesnei nei 130 °C temperatūrai gali kilti sprogimas.
- **Laikykites visų įkrovimo instrukcijų ir neįkraukite akumuliatorių bloko ar įrankio jei temperatūra yra už instrukcijose nurodyto diapazono ribų.** Netinkamai įkraunant arba jei temperatūra yra už nurodyto diapazono ribų gali būti sugadinti akumuliatoriai ir padidėti gaisro pavojus.

## TECHNINIS APTARNAVIMAS

- **Elektrinį įrankį turi remontuoti tik kvalifikuoti darbuotojai, kurie naudoja identiškas atsargines dalis.** Tai užtikrina elektrinio įrankio saugumą.
- **Niekada neremontuokite pažeistų akumuliatorių.** Akumuliatorius remontuoti gali tik jo gamintojai arba įgaliotieji techninės priežiūros paslaugų teikėjai.

## AKUMULIATORINĖS HIBRIDINĖS KRŪMAPJOVĖS NAUDOJIMO SAUGOS TAISYKLĖS

- **Visos kūno dalys privalo būti atokiai nuo peilio.** Kai geležtės juda, pjaunamos medienos ar tos medienos, kurią laikote ir ketinate pjauti, nbandykite pašalinti. Išjungus variklį, peiliai dar kurį laiką sukasi. Naudojant krūmapjovę, dėl menkausio neatidumo, galima sunkiai susižeisti.

- **Krūmapjovę neškite už rankenos, kai jos peilis yra sustojęs, ir būkite atsargūs, kad neįjungtumėte jokio įjungimo jungiklio.** Tinkamai nešant krūmapjovę, sumažėja pavojus netyčia ją įjungti ir susižaloti peiliais.
- **Transportuodami ar sandėliuodami krūmapjovę, visada uždėkite peilių gaubtus.** Tinkamai naudojantis krūmapjovėje sumažėja pavojus susižaloti peiliais.
- **Valydami užstrigusias nuopjovas arba vykdydami įrenginio techninės priežiūros darbus būtina išjunkite visus jungiklius ir ištraukite arba atjunkite akumuliatorių.** Netyčia įjungus krūmapjovę, valant ją užkimšusius nešvarumus arba vykdant techninės priežiūros darbus, galima sunkiai susižaloti.
- **Krūmapjovę laikykite tik už izoliuotų paviršių, nes peiliais galite užkliudyti nematomus laidus.** Peiliams prisilietus prie „gyvo“ laido, neizoliuotos metalinės krūmapjovės dalys gali sukelti elektros smūgį ir nutrenkti naudotoją.
- **Maitinimo laidus ir kabelius nutieskite atokiai nuo pjovimo zonos.** Maitinimo laidai ar kabeliai gali pasislėpti gyvatvorėse ar krūmuose, ir įrenginio peilis juos gali būti netyčia nupjauti.
- **Nesinaudokite krūmapjovėje prastomis oro sąlygomis, ypač, jei gali trenkti žaibas.** Taip sumažinamas pavojus būti nutrenktiems žaibo.

## PAPILDOMI SAUGOS ĮSPĖJIMAI

- **Nebandykite pjauti storesnį nei 22 mm (jei naudojate modelį RY18HT45A) arba 24 mm (jei naudojate modelį RY18HT45A) stiebų ar šakų, arba akivaizdžiai per storų stiebų ar šakų, kad pjovimo peilis galėtų juos nupjauti.** Norėdami nupjauti storesnius stiebus ir šakas, naudokite rankinį arba genėjimo pjūklą.
- **Naudojant gaminį, jį reikia laikyti tvirtai abiem rankomis laikant už abiejų rankenų.**
- **Prieš kiekvieną naudojimą apžiūrėkite krūmapjovę.** Patikrinkite, ar nėra atsipalaidavusių tvirtinamųjų elementų, ar neparateka kuras ir pan. Patikrinkite, ar visos apsaugos ir rankenos tinkamai ir patikimai pritvirtintos. Prieš naudodami prietaisą pakeiskite visas pažeistas dalis. Patikrinkite, ar nėra ištėkėjimo iš akumuliatoriaus.
- **Patikrinkite, ar gyvatvorėse ir krūmuose nėra pašalinių daiktų, pavyzdžiui, vielinių tvorų ir paslėptų laidų.**
- **Įrenginio privaloma naudotis tik stovint ant žemės, o ne ant kokio nors nestabiliu paviršiaus.**
- **Nenaudokite šio gaminio prasto apšvietimo sąlygomis.** Kad pastebėtų galimus pavojus, prietaisu dirbančiam asmeniui turi būti sudarytos gero matomumo sąlygos.
- **Klausos apsaugos priemonių naudojimas sumažina išpėjamųjų garsų (ryksmų arba pavojaus signalų) girdėjimo galimybę.** Operatorius turi atkreipti ypatingą dėmesį, kas vyksta darbo vietoje.
- **Išjunkite įrenginį, išimkite akumuliatorių ir palaukite, kol jie abu atvės.** Patikrinkite, ar visos judančio dalys visiškai nustojo sukatis.
  - prieš keisdami pjovimo įtaisų darbo padėtį;
  - prieš atlikdami techninę priežiūrą
  - prieš pašalindami užsikimšimą
  - prieš tikrindami ar valydami prietaisą arba prieš pradėdami juo pjauti žolę;
  - prieš keisdami priedus
  - Prieš palikdami įrenginį be priežiūros



- Prieš tikrinant, ar kliudžius kokį nors objektą nebuvo padaryta žala
- Prieš atliekant techninę priežiūrą
- Prietaisui pradėjus neįprastai vibruoti
- Nestumkite gaminio jėga, norėdami nupjauti tankius krūmus. Dėl to geležtė gali užsikirsti ir pradėti lėčiau dirbti. Geležtėms sulėtėjus sumažinkite darbo tempą.
- Numetus krūmapjovę, jai stipriai susitrenkus ar pradėjus neįprastai vibruoti, ją reikia nedelsiant sustabdyti ir patikrinti, ar nepakenkta arba nustatyti vibravimo priežastį. Pakenktos dalys turi būti tinkamai sutaisytos arba pakeistos įgaliotame techninio aptarnavimo centre.
- Naudokite įrenginį tik esant nuo 0 °C iki 40 °C temperatūrai.
- Įrenginį laikykite ten, kur aplinkos temperatūra yra nuo 0 °C iki 40 °C.
- Ilgiau naudojant, įrankis kelia sužeidimų pavojų ir apsunkina darbą. Ilgiau naudojant įrankius, reikia reguliariai daryti pertraukas.

### PAPILDOMI AKUMULATORIAUS SAUGOS ĮSPĖJIMAI

- Siekdami išvengti trumpojo jungimo sukiamą gaisro pavojaus, sužalojimų arba produkto pažeidimų, neikiškite įrankio, keičiamo akumulatoriaus arba įkroviklio į skysčius ir pasirūpinkite, kad į prietaisus arba akumulatorius nepatektų jokių skysčių. Koroziją sukiantys arba laidūs skysčiai, pvz., sūrus vanduo, tam tikri chemikalai ir balikliai arba produktai, kurių sudėtyje yra baliklių, gali sukelti trumpąjį jungimą.
- Akumuliatorių kraukite nuo 10 °C iki 38 °C temperatūros aplinkoje.
- Įrenginį laikykite nuo 10 °C iki 38 °C temperatūros aplinkoje.
- Akumuliatorių naudokite nuo 0 °C iki 40 °C temperatūros aplinkoje.

### GABENIMAS IR LAIKYMAS

- Išjunkite įrenginį, išimkite akumuliatorių ir palaukite, kol įrenginys atvės, jei norite jį padėti saugojimo vietą arba transportuoti.
- Nuo įrankio nuvalykite visas pašalines medžiagas. Įrankį laikykite gerai vėdinamoje ir vaikams neprieinamoje vietoje. Kad būtų dar saugiau, laikykite bateriją atskirai nuo įrenginio. Laikykite gaminį toliau nuo korozinių medžiagų, pvz. sodo chemikalų ir tirpdančių druskų. Nelaikykite įrenginio lauke.
- Prieš padėdami gaminį į saugojimo vietą arba prieš jį transportuodami, uždėkite geležtės saugiklį.
- Paruošiant gabenimui, gaminį reikia pritvirtinti, kad nejudėtų ir nenukristų, nes priešingu atveju jis gali sužaloti žmones arba sugesti pats.

### LIČIO BATERIJŲ TRANSPORTAVIMAS

Akumuliatorių gabenkite pagal vietinius ir šalies reikalavimus bei nuostatas.

Akumuliatorių gabenant trečiajai šaliai būtina laikytis visų specialių reikalavimų, nurodytų pakuotėse ir etiketėse. Užtikrinkite, kad gabenimo metu nei vienas akumulatorius nesiliestų su kitais akumulatoriais arba laidžiosiomis medžiagomis – apsauginius jungiamuosius elementus uždenkite izoliacinėmis nelaidžiomis movomis arba juosta.

Įskilusių ir tekančių akumuliatorių negabenkite. Dėl tolesnių patarimų kreipkitės į transporto įmonę.

### PRIEŽIŪRA

- Keitimui naudokite tik originalias gamintojo atsargines dalis. Neoriginalios dalys gali būti sužeidimų ir įrenginio blogo veikimo priežastis, ir dėl to gali būti anuliuotas garantinis pažymėjimas.
- Aptarnavimą atlikti būtina itin atidžiai, todėl rekomenduojame, kad techninę apžiūrą vykdytų kvalifikuotas specialistas. Įrenginį techninei priežiūrai pristatykite tik į įgaliotąjį techninės priežiūros centrą.
- Pjovimo įtaiso geležtės ypatingai aštrios. Kad nesusižeistumėte, būkite ypatingai atsargūs valydamai bei tepdami įtaisą ir uždėdami arba nuimdami geležčių apsauginį įrenginį.
- Prieš atlikdami gaminio reguliavimo, tepimo, techninės priežiūros ar valymo darbus, būtinai išimkite akumuliatorių.
- Prietaisą galite reguliuoti ir remontuoti, kaip aprašyta šiamo naudotojo vadove. Įrenginį techninei priežiūrai ir remontui pristatykite tik į įgaliotąjį techninės priežiūros centrą.
- Po kiekvieno panaudojimo nuvalykite plastikines dalis minkšta, sausa šluoste.
- Po kiekvieno panaudojimo nuvalykite sąnašas nuo geležčių standžiu šepetiu, po to rūpestingai ištepkite nuo rūdijimo apsaugančiu tepalu ir tik tada uždėkite geležčių apsauginį įrenginį. Gamintojas pataria naudoti purškiamąjį nuo rūdijimo apsaugantį tepalą, kad tolygiai pasiskirstytų ant geležčių bei būtų mažesnis pavojus susižeisti prie jų prisilietus. Informacijos apie tinkamą purškiamąjį tepalą kreipkitės į vietinį įgaliotą techninio aptarnavimo centrą.
- Dažnai tikrinkite visas varžles, varžtus ir sraigtus, ar jie tvirtai laikosi ir ar gaminyje yra saugios darbo būklės stovyje. Bet kurią apgadintą detalę leidžiama remontuoti arba keisti tik autorizotuose aptarnavimo centre.

### PAŽINKITE SAVO GRANDININĮ PJŪKLĄ

Žr. 106 psl.

1. Geležtės apsauginis gaubtas
2. Priekinis svirtinis jungiklis
3. Priekinė rankena
4. Galinė rankena
5. Perjungiklis
6. Geležtė
7. HEDGESWEEP atliekų šlavyklė
8. Geležtės gaubtas
9. Naudotojo vadovas
10. Baterija
11. Įkroviklis

### SIMBOLIAI ANT ĮRENGINIO



Pranešimas apie saugumą



Reguliariai ir prieš kiekvieną naudojamą tikrinkite, ar tinkamai užveržti visi sraigčiai, varžtai ir varžlės, kad užtikrintumėte saugą darbo aplinką. Vadovaukitės visais įspėjimais ir saugos taisyklėmis.



## SIMBOLIAI VADOVE



Europos atitikties ženklas



Didžiosios Britanijos atitikties ženklas



„EurAsian“ atitikties ženklas



Ukrainos atitikties ženklas



Elektrinių produktų atliekos neturi būti metamos kartu su namų ūkio atliekomis. Prašome perdirbkite jas ten, kur yra tokios perdirbimo bazės. Dėl perdirbimo patarimo kreipkitės į savo vietinę savivaldybę ar pardavėją.



Dėvėkite apsauginius akinius



Dėvėkite ausų apsaugos priemones



Nenaudoti lyjant ar esant drėgnoms sąlygoms.



Mūvėkite neslystančias, tvirtas apsaugines pirštines.



Dirbdami su gyvatvorės apkarpymo mašinėle ją laikykite abiem rankomis.



Kad sunkiai nesusižeistumėte, nelieskite pjovimo geležčių.



Garantuotas akustinis lygis (RY18HT50A)



Garantuotas akustinis lygis (RY18HT45A)



Saugokitės išmetamų arba skrendančių objektų. Visi pašaliečiai, ypač vaikai ir naminiai gyvūnai, privalo būti bent 15 m atstumu nuo darbo vietos



Prieš pradėdami bet kokius darbus gaminyje išimkite akumuliatorių bloką.



Įspėjimas!



Pastaba



Akutoitega hekitrimmeri konstrueerimisel on peaeesmärgiks olnud toote ohutus, tootlikkus ja töökindlus.

## OTSTARBEKOHANE KASUTAMINE

Juhtmeta hekilõikur on mõeldud kasutamiseks ainult väljas, kuivades ja hästi valgustatud tingimustes.

Seade on ette nähtud kasutamiseks kodumajapidamises. Seade on ette nähtud hekkide, põõsaste jms taimestiku lõikamiseks ja pügamiseks.

Ärge kasutage ühekski muuks otstarbeks.

## SEADME ÜLDISED OHUTUSJUHISED

**△ HOIATUS!** Lugege läbi kõik tootega kaasasolevad ohutusjuhised, illustreeritud ja spetsifikatsioonid. Allpool esitatud hoiatuste ja juhiste eiramise puhul on oht saada elektrilööki või raskeid kehavigastusi ning/või tekitada tulekahju.

**Hoidke kõik hoiatused ja juhised tulevikus vaatamiseks alles.**

Hoiatustes kasutatav termin "mootortööriist" viitab võrgutoitega (juhtmega) seadmele või akuga (juhtmeta) seadmele.

## TÖÖKOHT

- Hoidke töökoht puhas ja hästi valgustatud. Korrastamata ja pimedas kohas töötamisel võivad juhtuda õnnetused.
- Ärge kasutage elektritööriista plahvatusohtlikes keskkondades, näiteks kergestisüttivate vedelike ja gaaside läheduses ega tolmuses kohas. Elektritööriistad tekitavad sädemeid, mis võivad tolmu või auru süüdata.
- Elektritööriistaga töötamisel hoidke lapsed ja kõrvalised isikud eemal. Tähelepanu hajumise korral võib teil kontroll kaduda.

## ELEKTROIHUTUS

- Elektritööriistade pistikud peavad pistikupesaga sobima. Ärge püüdke pistiku konstruktsiooni mingil moel muuta. Ärge ühendage maanduskontaktiga (kordusmaandusega) elektritööriista elektrivõrku läbi vahepistmike. Pistiku ja pistikupesaga konstruktsiooni muutmise korral tekib elektrilöögi oht.
- Hoiduge kehalisest kontaktist maandatud pindadega, näiteks torud, radiaatorid, elektriliidid ja külmikud. Kehaosade maandamisel suureneb elektrilöögi saamise oht.
- Ärge jätke kultivaatorit vihma kätte või märga kohta. Vee sattumisel elektrilise tööriista sisemusse suureneb elektrilöögi saamise oht.
- Ärge kasutage toitejuhet mittesihipäraselt. Ärge kasutage toitejuhet tööriista kandmiseks, vedamiseks või pistikupesast väljatõmbamiseks. Hoidke toitejuhe eemal kuumusest, õlist, teravatest servadest ja liikuvatest osadest. Vigastatud või keerdsu toitekaablid suurendavad elektrilöögi ohtu.
- Väljas töötamisel kasutage välistingimustes kasutamiseks sobivaid pikendusjuhtmeid. Välistingimustele sobiva pikendusjuhtme kasutamine vähendab elektrilöögi ohtu.
- Kui elektritööriistaga töötamine niisketes oludes on vältimatu, siis kasutage rikkevoolu-kaitSELÜlitiga (RCD) kaitstud vooluvõrku. RCD kasutamine vähendab elektrilöögi ohtu.

## ISIKUKAITSE

- Mehaanilise tööriistaga töötamisel jälgige tööpiirkonda ja kasutage sealjuures tervet mõistust. Ärge kasutage tööriista siis, kui te olete väsinud, uimastite, alkoholi või ravimite mõju all. Hetkeline tähelepanu hajumine tööriista kasutamise ajal võib põhjustada raske kehavigastuse.
- Kasutage isikukaitsevahendeid. Kandke alati silmakaitsevahendeid. Kui tööolud seda nõuavad, tuleb kasutada isikukaitsevahendeid, näiteks tolmumaski, libisemiskindlaid turvajalatsi, kiivrit ja kuulmiskaitsevahendeid, mis kehavigastuste riski vähendavad.
- Hoidke ära tahtmatu käivitumine. Enne toitejuhtme või aku ühendamist, tööriista kättevõtmist või teisaldamist veenduge, et tööriista lüliti on välja lülitatud. Õnnetuste vältimiseks ärge hoidke tööriista kandmise ajal sõrme lülitisnupul ega ühendage tööriista toitevõrku siis, kui lüliti on sisse lülitatud.
- Enne tööriista sisselülitamist eemaldage sellelt reguleerivõti või mutrivõti. Elektritööriista külge jäetud reguleerivõti või mutrivõti võivad põhjustada raske kehavigastuse.
- Ärge kummardage. Hoidke end pidevalt jalgadel ja tasakaalus. Siis on teil ootamatu olukorra tekkimisel tööriista üle parem kontroll.
- Kandke tööks sobivat riietust. Ärge kandke lõtvu riideid ja ehteid. Hoidke juuksed ja riided liikuvatest osadest eemal. Lõdvad riietuseseid, ehteid ja pikad juuksed võivad haakuda liikuvate osade külge.
- Kui tööriistal tuleb kasutada tolmu eraldamis- või kogumiseadisi, siis veenduge, et need on ühendatud ja nõuetekohases kasutuses. Tolmukoguri kasutamisega saab vähendada tolmuga seotud ohtusid.
- Ärge muutuge hooletuks ega ignoreerige tööriista ohutusnõudeid, kui te seadete juba tunnete ja olete seda tihti kasutanud. Hooletu tegutsemine võib põhjustada raske kehavigastuse mõne sekundi murdosa jooksul.

## ELEKTROTÖÖRIISTA KASUTAMINE JA KORRASHOID

- Ärge kasutage töötamisel liigset jõudu. Kasutage tööks sobivat elektritööriista. Õigesti valitud elektritööriist töötab ettenähtud võimsuspiirkonnas paremini ja ohutumalt.
- Ärge kasutage elektritööriista, kui lüliti ei lülita seda sisse ja välja. Lülitiga lülitamatu tööriista kasutamine on ohtlik ja see tuleb lasta ära remontida.
- Enne tööriista reguleerimist, tarvikute vahetamist või tööriista hoiustamist ühendage pistik vooluallikast lahti ja/või eemaldage võimalusel tööriista aku. Need ennetavad ohutusmeetmed vähendavad tööriista tahtmatu käivitumise riski.
- Hoidke kasutuses mitteolevaid elektritööriistu lastele kättesaamatus kohas ja ärge lubage elektritööriista mitte tundvaid või kasutusjuhendiga mitte tutvunud isikuid elektritööriista kasutada. Oskamatu kasutaja käes olev elektritööriist on ohtlik.
- Hooldage elektritööriistu ja tarvikuid. Kontrollige liikuvate osade mittesentreeritust ja kinnitumist, osade vigastusi ning tehke kindlaks muud seisundid, mis võivad mõjustada elektritööriista tööd. Kui mõni osa on vigastatud, siis laske elektritööriist enne kasutamist ära parandada. Halvasti hooldatud elektritööriistad põhjustavad palju õnnetusi.



- **Hoidke lõiketerad teravad ja puhtad.** Teravate lõiketeradega ja nõuetekohaselt hooldatud lõikeriistad jäävad harvemini kinni ning neid on kergem kontrolli all hoida.
- **Tööriistade, tarvikute, otsakute ja muude lisaseadmete kasutamisel** juhinduge nende kasutusjuhenditest, võttes arvesse tehtavat tööd ja tööolusid. Tööoperatsiooniks mitte ettenähtud tööriista kasutamine võib tekitada ohtlikku olukorra.
- **Hoidke tööriista käepidemed ja haardepinnad kuivana, puhtana ja ärge laske neile sattuda õli või määret.** Libedad käepidemed ja haardepinnad ei võimalda tööriista turvaliselt haarata ja ootamatutes olukordades kontrollida.

## AKUTÖÖRIISTA HOOLDUS JA KASUTAMINE

- **Laadige akut ainult tootja poolt ettenähtud laadijaga.** Akulaadaja, mis sobib ühele akupaketile võib põhjustada tulekahju, kui seda kasutada teise akupaketiga.
- **Kasutage akutööriista ainult selleks ettenähtud akudega.** Muude akupakettide kasutamine võib põhjustada kehavigastusi või tulekahju.
- **Sel ajal kui akupakett ei ole kasutusel, hoidke seda eemal metallesemetest nagu kirjaklambrid, mündid, võtmed, naelad, kruvid ja muudest väikestest metallobjectidest, mis võivad akuklemmid lühistada.** Aku klemmide lühistamine võib põhjustada põletust või tulekahju.
- **Aku vale kasutamise korral võib akuedelik välja voolata - vältige sellega kokkupuudet.** Akuedeliku nahale sattumisel peske see veega maha. Vedeliku silma sattumisel pöörduge viivitamatult arsti poole. Väljapriitv akuedelik võib tekitada nahaärritust või -põletust.
- **Ärge kasutage vigast või ümbertehtud akut ega tööriista.** Vigased või ümbertehtud akut võivad toimida ettearvamatult, mille tagajärjeks on tulekahju, plahvatus või vigastuste oht.
- **Ärge jätke akut või tööriista tule lähedale ega liiga kõrge temperatuuri kätte.** Tuli või temperatuur üle 130 °C võib põhjustada plahvatust.
- **Järgige kõiki laadimisjuhiseid ning ärge laadige akut ega tööriista väljaspool juhistes määratletud temperatuurivahemikku.** Vale laadimine või laadimine väljaspool määratletud temperatuurivahemikku võib akut rikkuda ja suurendada tulekahju ohtu.

## TEENINDAMINE

- **Laske oma elektrilist tööriista hooldada väljaõppinud teenindustöötajal; remontimisel tohib kasutada ainult originaalvaruosi.** See tagab elektriseadme ohutuse.
- **Ärge kunagi remontige vigast akut.** Vigast akut tohivad remontida vaid tootja või volitatud hooldustöötajad.

## JUHTMETA HEKILÕIKURI OHUTUSJUHISED

- **Hoidke kõik kehaosad lõiketerast eemal.** Ärge üritage eemaldada ega hoida lõigatavat materjali sel ajal kui lõiketerad liiguvad. Kui mootor välja lülitada, jätkavad terad pöörlemist. Hetkeline tähelepanu hajumine seadme kasutamise ajal võib põhjustada raske kehavigastuse.

- **Kandke peatatud lõiketeraga hekilõikuri käepidemest ja olge ettevaatlik, et te ei puutuks toitelüliti vastu.** Hekilõikuri nõuetekohane kandmine vähendab tahtmatut käivitamist ja sellest tulenevat, lõiketeradega seotud vigastamisohu.
- **Transportuodami ar sandéliuodami krümapjovę, visada üzdėkite peilių gaubta.** Tinkamai naudojantis krümapjovę sumažėja pavojus susižaloti peiliais.
- **Kui puhastate toodet kinnijäänud materjalist või seda hooldate, veenduge, et kõik koormuslülitid on välja lülitatud ning aku on eemaldatud või lahti ühendatud.** Netyčia įjungus krümapjovę, valant ja užkimšusius nešvarumus arba vykdant techninės priežiūros darbus, galima sunkiai susižaloti.
- **Krümapjovę laikykite tik už izoliuotų paviršių, nes peiliais galite užkliudyti nematomus laidus.** Peiliams prisilietus prie „gyvo“ laido, neizoliuotos metalinės krümapjovės dalys gali sukelti elektros smūgį ir nutrenkti naudotoją.
- **Hoidke kõik toitejuhtmed ja -kaablid lõikepiirkonnast eemal.** Hekid ja pöösad võivad toitejuhtmeid või -kaableid varjata ning lõiketera võib need ootamatult katki lõigata.
- **Nesinaudokite krümapjovę prastomis oro sąlygomis, ypač, jei gali trenkti žaibas.** Taip sumažinamas pavojus būti nutrenktiems žaibo.

## TÄIENDAVAL OHUTUSJUHISED

- **Ärge üritage lõigata varsi või oksa, mis on RY18HT45A puhul suuremad kui 22 mm, RY18HT50A puhul 24 mm või on lõiketerale etteandmiseks ilmselgelt liiga suured.** Suurte varte piiramiseks kasutage käsisaagi või mootoriga oksasaagi.
- **Seadmega töötamisel hoidke seda kindlalt kahe käega mõlemast käepidemest.**
- **Kontrollige seade iga kord enne kasutamist üle.** Kontrollige kinnitite lõtvumise, kütuselekete jne suhtes. Veenduge, et kõik kaitsed ja käepidemed on õigesti ja ohutult kinnitatud. Enne kasutamist asendage kõik vigastatud koosteosad. Kontrollige, et akupakett ei leki.
- **Kontrollige hekke ja pöösaid seoses võrkehadega nagu traataiad ja peidetud juhtmed.**
- **Jřnginiu privaloma naudotis tik stovint ant žemės, o ne ant kokio nors nestabiliaus paviršiaus.**
- **Ärge kasutage toodet kehva valgustuse korral.** Töötajal peab tööpiirkonnale olema selge väljavaade, et tuvastada võimalikud ohud.
- **Klausos apsaugos priemonių naudojimas sumažina įspėjamųjų garsų (ryksmų arba pavojaus signalų) girdėjimo galimybę.** Operaator peab seda arvesse võtma ja pöörama täiendavat tähelepanu sellele, mis toimub tema töökojal.
- **Lülitage toode välja, eemaldage aku ja laske seadmel maha jahtuda.** Veenduge, et kõik masina liikuvad osad on täielikult seiskunud:
  - enne lõikamisvahendite tööasendi reguleerimist
  - enne hooldust
  - enne takistuse kõrvaldamist
  - enne kontrollimist, puhastamist või teenendamist,
  - enne tarvikute vahetamist
  - enne toote juurest lahkumist





- enne kahjustuse kontrollimist, kui on tabatud mõnda eset
- enne hooldustöid
- kui muruniiduk hakkab ebanormaalselt vibreerima
- Ärge suruge toodet jõuga läbi tiheda pöösastiku. See võib põhjustada terade kinnijäämise ja töökiiruse languse. Kui töökiirus langeb, siis alandage käiku.
- Kui seade on maha kukkunud, saanud tugeva löögi või hakkab ebanormaalselt vibreerima, seisake seade viivitamatult ja kontrollige see üle vigastuste suhtes. Kõik vigastused tuleb lasta volitatud hooldustöökojas parandada või asendada.
- Kasutage toodet ainult temperatuurivahemikus 0–40 °C.
- Hoidke toodet kohas, kus keskkonna temperatuur on vahemikus 0–40 °C.
- Seadme pikaajalisel kasutamisel võite saada kehavigastusi ja varasemad vigastused võivad süveneda. Seadme kasutamisel pika aja jooksul tuleb teha korralisi vaheaegsid.

### AKU LISAOHUTUSJUHISED

- Siekdami išvengti trumpojo jungimo sukeliama gaisro pavojaus, sužalojimų arba produkto pažeidimų, nekiškite įrankio, keičiamo akumulatoriaus arba įkroviklio į skysčius ir pasirūpinkite, kad jį prietaisus arba akumulatorius nepatektų jokių skysčių. Korrodeeruvad või elektrit juhtivad vedelikud, nagu soolvesi, teatud kemikaalid ja pleegitusained või pleegitusaineid sisaldavad tooted, võivad põhjustada lühist.
- Laadige akut kohas, kus keskkonna temperatuur on vahemikus 10–38 °C.
- Hoidke akut kohas, kus keskkonna temperatuur on vahemikus 0–40 °C.
- Kasutage akut kohas, kus keskkonna temperatuur on vahemikus 0–40 °C.

### TRANSPORTIMINE JA HOIUSTAMINE

- Išjunkite įrenginį, išimkite akumuliatorių ir palaukite, kol įrenginys atvės, jei norite jį padėti saugojimo vietą arba transportuoti.
- Puhastage seade kõikidest vöörkehadest. Įrankį laikykite gerai vėdinamoje ir vaikams neprieinamoje vietoje. Täiendava ohutusabinõuna hoidke akut seadmest eraldi. Hoidke seadet eemal korrodeerivatest ainetest, nagu aiakemikaalid ja jääsulatussoolad. Ärge hoiustage toodet väljas.
- Enne toote ladustamist või transportimist paigaldage lõiketera kate.
- Vedamise ajal tõkestage kultivaator liikuma hakkamise ja alla kukkumise vastu, et vältida kehavigastusi ja masinaosade kahjustamist.

### LIITIUMAKUDE TEISALDAMINE

Akude transportimisel juhinduge kasutuskohas kehtivatest riiklikest määrustest ja eeskirjadest.

Akude transportimisel allettevõtjate poolt järgige kõiki pakkimise ja tähistamise erinõudeid. Veenduge, et akud ei satu kokkupuutese teiste akude ega voolu juhtivate materjalidega, kui avatud klemmid on transportimise ajal kaitstud voolu mittejuhtivate isoleerkorkide või teibiga. Ärge transportige pragnunenud või lekkivaid akusid. Küsige lisateavet transportettevõtelt.

### HOOLDUS

- Kasutage ainult tootja originaalvaruosi, tarvikuid ja tööorganeid. Selle nõude eiramine võib põhjustada, kehavigastuse, tootluse languse ja teile antud garantii tühistamise.
- Hooldamine nõuab ülimalt korrashoidu ja teadmisi ning tuleks teostada ainult kvalifitseeritud hooldustehnikute poolt. Toodet tohib parandada vaid volitatud teeninduses.
- Lõikuri terad on väga teravad. Kehavigastuse vältimiseks olge äärmiselt ettevaatlik kui seadet puhastate, määrite, tarvikut paigaldate või eemaldate terakaitset.
- Enne toote reguleerimist, hooldamist või puhastamist eemaldage aku.
- Lubatud on teha ainult selles kasutusjuhendis kirjeldatud reguleerimis- ja parandustoiminguid. Muid remonditöid tohivad teha ainult volitatud teeninduskeskused.
- Iga kord pärast kasutamist puhastage plastist osi pehme kuiva lapiga.
- Pärast iga kasutuskorda pühkige praht teradelt ära tugeva harjaga ja kandke seejärel neile roostetõrjemääret, enne kui tera kaitse uuesti kohale panete. Gamintojas pataria naudoti purškiamąjį nuo rūdijimo apsaugantį tepalą, kad tolygiai pasiskirstytų ant geležčių bei būtų mažesnis pavojus susižeisti prie jų prisilietus. Teavet sellise aerosoolvahendi kohta saate oma kohalikest hoolduskeskusest
- Kontrollige kõiki mutreid, polte ja kruvisid sagedaste intervallidega õige pinguloleku suhtes, et veeenduda toote ohutus töökorras olemises. Vigastatud osad tuleb lasta pädeval hooldajal parandada või asendada.

### ÕPPIGE OMA TOODET TUNDMA

Vt leht 106.

1. Terakaitse
2. Eesmine päästik
3. Eesmine käepide
4. Tagumine käepide
5. Päästik
6. Saeleht
7. HEDGESWEEP prahieemaldi
8. Lõiketera kate
9. Kasutusjuhend
10. Aku paketiaga
11. Laadija

### MASINAL OLEVAD SÜMBOLID



Ohutusallane teave



Enne toote kasutamist lugege läbi ja tehke endale selgeks kõik juhised. Järgige kõiki hoiatusi ja tööohutuseeskirju.



Euroopa vastavusmäärgis



Suurbritannia vastavusmäärgis



Euraasia vastavusmäärgis





Ukraina vastavusmärgis



Mittekasutatavaid elektritooteid ei tohi visata olmejäätmete hulka. Vaid tuleb viia vastavasse kogumispunkti. Vajadusel küsige sellekohast nõu oma edasimüüjalt või vastavalt kohaliku omavalitsuse institutsioonilt.



Kandke silmakaitsevahendeid



Kandke kuulmiskaitsevahendeid



Nenaudoti lyjant ar esant drėgnoms sąlygoms.



Kandke libisemiskindlaid, tugevdatud kaitsekindlaid.



Kasutamise ajal hoidke hekitrimmerit alati kahe käega.



Ärge puudutage lõiketera, et mitte rasket vigastust saada.



Garanteeritud helivõimsuse tase (RY18HT50A)



Garanteeritud helivõimsuse tase (RY18HT45A)



Hoiduge ülespaisatud ja lendavate esemete eest. Hoidke kõik kõrvalseisjad, eriti lapsed ja lemmikloomad tööalalt vähemalt 15 meetri kaugusele.



Enne mistahes tööde tegemist toote kallal võtke aku välja.

## KASUTUSJUHENDI SÜMBOLID



Hoiatus



Märkus





U razvoju ovog bežičnog trimera za ogradu dati su maksimalni prioriteti sigurnosti, performansama i pouzdanosti.

## NAMJENA

Akumulatorski trimer za živicu namijenjen je samo upotrebi na otvorenom u suhim i dobro osvijetljenim uvjetima.

Ovaj proizvod namijenjen je za kućnu ili upotrebu u domaćinstvu. Proizvod je namijenjen za rezanje i šišanje živica, grmlja i sličnog rasilinja.

Nemojte koristiti oštricu u nikakvu drugu svrhu.

## OPĆA SIGURNOSNA UPOZORENJA O PROIZVODU

**⚠ UPOZORENJE!** Pročitajte i pregledajte sve sigurnosne upute, slike i specifikacije isporučene uz ovaj proizvod. Nepoštivanje svih uputa može dovesti do električnog udara, požara i/ili teškim osobnim ozljedama.

**Sačuvajte ova upozorenja i upute kako biste ih naknadno mogli konzultirati.**

Pojam „električni alat“ u upozorenjima odnosi se na vaš električni proizvod (žični) napajan iz električne mreže ili proizvod na baterije (bežični).

## RADNA OKOLINA

- **Držite radni prostor čistim i dobro osvijetljenim.** Zatrpani i neosvijetljeni radni prostori izazivaju nezgode.
- **Nemojte rukovati električnim alatima u eksplozivnim atmosferama u kojima su prisutne zapaljive tekućine, plinovi ili prašina.** Električni alati stvaraju iskre koje mogu zapaliti prašinu ili pare.
- **Tijekom rada s električnim alatom držite podalje djecu i promatrače.** Ometanje može dovesti do toga da izgubite kontrolu.

## ELEKTRIČNA SIGURNOST

- **Utičkači električnog alata moraju odgovarati utičnici.** Nikada nemojte modificirati utičače ni na koji način. Nemojte koristiti nikakve adapter utičače s uzemljenim električnim alatima. Originalni utičači i odgovarajuće utičnice smanjuju opasnost od strujnog udara.
- **Izbjegavajte kontakt tijela s uzemljenim površinama poput cijevi, radijatora, štednjaka i hladnjaka.** Ako je vaše tijelo uzemljeno, povećava se opasnost od strujnog udara.
- **Nemojte proizvod izlagati kiši ili vlažnim uvjetima.** Ulazak vode u električni alat povećava opasnost od strujnog udara.
- **Nemojte zlorabiti kabel.** Nikada nemojte koristiti kabel za nošenje, povlačenje ili isključivanje električnog alata. Držite kabel podalje od topline, ulja, oštiri rubova ili pokretnih dijelova uređaja. Oštećeni ili zapleteni kabeli povećavaju opasnost od strujnog udara.
- **Kada radite s električnim alatom na otvorenom, koristite produžni kabel prikladan za rad na otvorenom.** Korištenje kabela prikladnog za rad na otvorenom smanjuje opasnost od strujnog udara.
- **Ako se ne može izbjeći rad s električnim alatom u vlažnoj lokaciji koristite FID sklopku (RCD uređaj) za zaštitu napajanja.** Korištenje RCD uređaja smanjuje opasnost od električnog udara.

## OSOBNJA SIGURNOST

- **Budite na oprezu, gledajte to što radite i pri radu s električnim alatom koristite zdrav razum.** Nemojte koristiti električni alat kad ste umorni ili pod utjecajem droge, alkohola ili lijekova. Trenutak nepažnje pri radu s električnim alatima može dovesti do teških osobnih ozljeda.
  - **Koristite osobnu zaštitnu opremu. Uvijek nosite zaštitna sredstva za oči.** Zaštitna oprema poput maske za prašinu, zaštitna obuća sa zaštitom od klizanja, kaciga ili zaštita za uši koja se koristi u odgovarajućim uvjetima smanjuje osobne ozljede.
  - **Spriječite nenamjerno pokretanje.** Osigurajte da je prije priključivanja na izvor napajanja i/ili baterije, podizanja ili nošenja alata, sklopka u položaju OFF (isključeno). Nošenje električnog alata s vašim prstom na sklopki ili uključivanje električnih alata sa sklopkom postavljenom na položaj on (uključeno) dovodi do nezgoda.
  - **Prije uključivanja električnog alata uklonite sve klinove za podešavanje i ključeve.** Ključ ili klin ostavljen priključen na rotirajućem dijelu električnog alata može dovesti do osobne ozljede.
  - **Ne sežite preko određene granice.** Cijelo vrijeme držite pravilno porašite i ravnotežu. Ovo u neočekivanim situacijama omogućuje bolju kontrolu nad električnim alatom.
  - **Pravilno se odjenite.** Nemojte nositi široku odjeću ili nakit. Svoju kosu i odjeću držite podalje od dijelova u pokretu. Široka odjeća, nakit ili dugačka kosa mogu biti zahvaćeni u pokretne dijelove alata.
  - **Ako su uređaji opremljeni s priključkom aparata za odvajanje i prikupljanje prašine, osigurajte da su oni priključeni i pravilno korišteni.** Korištenje uređaja za sakupljanje prašine smanjuje opasnosti vezane uz prašinu.
  - **Nemojte dopustiti da vas poznavanje alata zbog česte uporabe opusti toliko da zanemarite sigurnosne principe rukovanja alatom.** Nepažljiv rad može uzrokovati ozbiljne povrede unutar djelića sekunde.
- ## KORIŠTENJE I BRIGA O ELEKTRIČNOM ALATU
- **Nemojte proizvod koristiti iznad njegovih mogućnosti.** Za vašu primjenu koristite točan električni alat. Točan električni alat bolje će i sigurnije uraditi posao u odnosu na što je namijenjen.
  - **Nemojte koristiti električni alat ako ga sklopka pravilno ne uključuje i isključuje.** Svaki električni alat koje se ne može kontrolirati pomoću sklopke je opasan i mora se popraviti.
  - **Izvučite utičač iz izvora električnog napajanja i/ili uklonite baterijski sklop, ako je odvojiv, prije izvršavanja bilo kakvih prilagodbi ili skladištenja električnih alata.** Ovakve preventivne sigurnosne mjere smanjuju opasnost od slučajnog pokretanja električnog alata.
  - **Električne alate pohranite u stanju mirovanja izvan dohvata djece i ne dopustite rad s električnim alatom osobama koje nisu upoznate s električnim alatom ili ovim uputama.** Električni alati su opasni u rukama nestručnih korisnika.
  - **Održavajte električne alate i pribor.** Provjerite radi pogrešnog poravnjanja ili savijanja pokretnih dijelova, puknuća dijelova i drugih uvjeta koji mogu utjecati na rad električnog alata. Ako je oštećen,





električni alat prije korištenja popravite. Većina nezgoda uzrokovano je od strane električnih alata koji su slabo održavani.

- **Rezne alate držite oštrim i čistim.** Pravilno održavanim reznim alatima s oštrim rubovima za rezanje, manja je vjerojatnost zahvaćanja i lakše se kontroliraju.
- **Koristite električni alat, pribor i dijelove alata itd., u skladu s ovim uputama i uzeti u obzir radne uvjete i rad koji treba izvršiti.** Korištenje električnog alata za radove drugačije od njegove namjene može dovesti do opasne situacije.
- **Održavajte ručke i površine hvata suhim, čistim i da na njima nema ulja i masti.** Skliske ručke i površine za hvatanje ne omogućuju sigurno rukovanje i kontrolu alata u neočekivanim situacijama.

#### ALAT ZA UPORABU I ODRŽAVANJE BATERIJE

- **Punite samo s punjačem navedenim od proizvođača.** Punjač koji je prikladan za jednu vrstu baterija može dovesti do opasnosti od požara kada se koristi s drugom baterijom.
- **Koristite AKU alate samo s posebno naznačenim baterijama.** Korištenje bilo kojih drugih baterija dovodi do opasnosti od ozljeda i požara.
- **Kada se baterija ne koristi držite je dalje od drugih metalnih predmeta kao što su spajalice za papir, kovanice, ključevi, čavli, vijci ili drugi mali metalni predmeti koji mogu spojiti jedan pol na drugi.** Kratki spoj polova baterije može izazvati opekotine ili požar.
- **Pod uvjetima loma može doći do izbacivanja tekućine iz baterije, izbjegavajte kontakt. Ako dođe do nehotičnog kontakta, isperite to mjesto s vodom. Ako tekućina dospije u oči, dodatno potražite liječničku pomoć.** Tekućina koja istječe iz baterije može dovesti do iritacije ili opekotina.
- **Nemojte koristiti bateriju ili alat koji su oštećeni ili modificirani.** Oštećene ili modificirane baterije mogu imati nepredvidivo ponašanje, što može dovesti do požara, eksplozije ili rizika od tjelesnih ozljeda.
- **Nemojte izlagati baterijski sklop ili alat vatri ili visokoj temperaturi.** Izlaganje vatri ili temperaturi višoj od 130°C može dovesti do eksplozije.
- **Slijedite sve upute za punjenje i nemojte puniti bateriju ili alat na temperaturama izvan temperaturnog raspona specificiranog u uputama.** Nepravilno punjenje ili punjenje na temperaturama izvan specificiranog raspona može oštetiti bateriju i povećati rizik od požara.

#### ODRÆAVANJE

- **Neka vaš električni alat servisira kvalificirana osoba za popravak koristeći samo identične zamjenske dijelove.** Ovo će osigurati da se održi sigurnost električnog alata.
- **Nikada nemojte popravljati oštećene baterije.** Popravak oštećenih baterija smije izvoditi isključivo proizvođač ili ovlašteni servisni centar.

#### SIGURNOSNA UPOZORENJA AKUMULATORSKOG TRIMERA ZA ŽIVICU

- **Sve dijelove tijela držite podalje od noža. Nemojte ukloniti odrezani materijal ili držati materijal za rezanje kad se oštrice pomiču.** Noževi nastavljaju s okretanjem i nakon isključivanja motora. Trenutak nepažnje pri radu s proizvodom može dovesti do teških osobnih ozljeda.

- **Trimer za živicu nosite držeći ga za ručku dok je nož zaustavljen i vodeći računa o tome da ne pritisnete nijednu sklopku za uključivanje.** Pravilnim nošenjem trimera za živicu smanjit će se rizik od njegovog iznenadnog pokretanja i posljedičnog ozljeđivanja izazvanog oštricama.
- **Prilikom prevoženja ili skladištenja trimera za živicu, uvijek na njega stavite poklopac oštrice.** Pravilnim rukovanjem trimenom za živicu smanjit će se rizik od nastanka ozljeda izazvanih oštricama.
- **Prilikom čišćenja zaglavljenog materijala ili servisiranja jedinice, uvjerite se da su sve električne sklopke isključene i da je baterijski sklop uklonjen ili odvojen.** Neočekivana aktivacija trimera za živicu tijekom čišćenja zaglavljenog materijala ili servisiranja može dovesti do teške tjelesne ozljede.
- **Trimer za živicu držite isključivo za izolirane površine za hvatanje, pošto oštrica može dotaknuti skriveno ožičenje.** Oštrice koje su u doticaju sa žicom i pod naponom izložene metalne dijelove i trimer za živicu mogu staviti pod napon i mogu prouzročiti strujni udar rukovatelju.
- **Sve priključne vodove i kabele držite podalje od područja rezanja.** Priključni vodovi ili kabeli mogu biti skriveni u živicama ili grmlju i moguće ih je slučajno prerezati oštricom.
- **Trimer za živicu ne koristite u lošim vremenskim uvjetima, osobito ako postoji rizik od udara munje.** Time se smanjuje rizik od udara munje.

#### DODATNA SIGURNOSNA UPOZORENJA

- **Ne pokušavajte rezati stabljike ili grančice deblje od 22 mm u slučaju RY18HT45A ili deblje od 24 mm u slučaju RY18HT50A ili one koje su očito prevelike da bi stale na reznu oštricu.** Koristite ručnu pilu ili pilu za sječenja za trimanje velikih stabljiki.
- **Prilikom rada s proizvodom, uvijek ga držite čvrsto s obje ruke za obje ručke.**
- **Prije korištenja provjerite uređaj.** Provjerite za olabavljene zatezače, istjecanje goriva itd. Osigurajte da su svi štitnici i ručke pravilno i čvrsto priključeni. Prije korištenja zamijenite sve oštećene dijelove. Provjerite baterije na curenje.
- **Provjerite ima li u živici i grmlju stranih tijela poput žičanih ograda ili skrivenih žica.**
- **Proizvod se mora koristiti samo na tlu, a ne na bilo kakvoj nestabilnoj podlozi.**
- **Nemojte rukovati proizvodom pri lošem osvjetljenju.** Operateru treba jasan pogled radnog područja kako bi identificirao potencijalne opasnosti.
- **Korištenje zaštite za sluh smanjuje vašu mogućnost da čujete upozorenja (viku ili alarme).** Rukovatelj mora obratiti posebnu pozornost na to što se događa u radnom području.
- **Isključite proizvod, uklonite baterijski sklop i pustite da se ohladi.** Provjerite da su svi pokretni dijelovi zaustavljeni:
  - prije prilagodbe radnog položaja reznih mehanizama
  - prije servisiranja
  - prije uklanjanja blokade
  - prije provjere, čišćenja ili rada na uređaju
  - prije promjene pribora
  - prije ostavljanja proizvoda bez nadzora



- prije provjere bilo kakvog oštećenja nakon udara u neki predmet
  - prije postupka održavanja
  - ako uređaj počne abnormalno vibrirati
- Nemojte silom gurati proizvod kroz gusto žbunje. Ovo može uzrokovati tromost oštrica i usporavanje. Ako oštrice uspore smanjite brzinu hoda.
  - Ako je proizvod ispao, pretrpio težak udar ili abnormalno vibrira, odmah zaustavite proizvod i provjerite na oštećenje ili identificirajte uzrok vibracija. Svaki oštećeni dio trebao bi pravilno popraviti ili zamijeniti ovlašteni servisni centar.
  - Proizvodom rukujte samo na temperaturama između 0°C i 40°C.
  - Proizvod čuvajte na mjestu čija je okolišna temperatura između 0°C i 40°C.
  - Povrede mogu biti uzrokovane ili zadobivene produljenim korištenjem alata. Kada koristite bilo koji alat dulje vremena, osigurajte da uzimate povremene stanke.

### DODATNA SIGURNOSNA UPOZORENJA ZA BATERIJU

- Zbog izbjegavanja opasnosti od požara jednim kratkim spojem, opasnosti od ozljeda ili oštećenja proizvoda, alat, izmjenjivi akumulator ili napravu za punjenje ne uronjavati u tekućine i pobirnite se za to, da u uređaje ili akumulator ne prodiru nikakve tekućine. Korozirajuće ili vodljive tekućine kao slana voda, određene kemikalije i sredstva za bijeljenje ili proizvodi koji sadrže sredstva bijeljenja, mogu prouzročiti kratak spoj.
- Baterijski sklop punite na mjestu na kojem je okolišna temperatura između 10°C i 38°C.
- Baterijski sklop čuvajte na mjestu na kojem je okolišna temperatura između 0°C i 40°C.
- Baterijski sklop koristite na mjestu na kojem je okolišna temperatura između 0°C i 40°C.

### PRIJEVOZ I SKLADIŠTENJE

- Isključite proizvod, izvadite baterijski sklop i pustite ga da se ohladi prije skladištenja ili prevoženja.
- Očistite svaki strani materijal s uređaja. Skladištite ga na dobro ventiliranom mjestu koje nije pristupačno djeci. Za dodatnu sigurnost, spremite bateriju odvojeno od proizvoda. Držite proizvod podalje od korozivnih sredstva kao što su vrtno kemikalije i soli protiv zaleđivanja. Proizvod ne čuvajte na otvorenom.
- Zaštitnik za nož pričvrstite prije skladištenja ili tijekom prevoženja proizvoda.
- Za prijevoz, osigurajte uređaj protiv pomicanja ili pada kako biste spriječili povrede osoba ili oštećenja na uređaju.

### TRANSPORTIRANJE LITIJUMSKIH BATERIJA

Transportirajte bateriju u skladu s lokalnim i nacionalnim pravima i zakonima.

Slijedite sve specijalne zahtjeve na pakiranju i naljepnicama prilikom transporta baterije od treće strane. Osigurajte da baterija ne može doći u kontakt s drugim baterijama ili provodnim materijalima tijekom transporta tako da zaštitite izložene priključke s izolacijom, kapticama koje ne provode energiju ili trakom. Nemojte transportirati baterije koje su polomljene ili cure. Provjerite kod kompanije koji transportirate za daljnju pomoć.

### ODRŽAVANJE

- Koristite samo originalne zamjenske dijelove, dodatni pribor i priključke od proizvođača. Nepoštovanje ovih uputa može dovesti do mogućih ozljeda, loše učinkovitosti i može dovesti do poništenja jamstva.
- Servisiranje iziskuje krajnju pažnju i znanje i treba da ga vrši samo kvalificirani serviser. Neka se proizvod servisira samo u ovlaštenom servisnom centru.
- Rezne oštrice iznimno su oštre. Za sprječavanje osobnih ozljeda, budite osobito pažljivi kada čistite, podmazujete i postavljate ili uklanjate štitnik oštrice.
- Prije podešavanja, održavanja ili čišćenja proizvoda uklonite baterijski sklop.
- Možete izvršiti podešavanja i popravke koji su opisani u ovom priručniku. Za ostale popravke, neka se proizvod servisira samo u ovlaštenom servisnom centru.
- Nakon svake upotrebe, plastične dijelove očistite suhom, mekom krpom.
- Nakon svakog korištenja, očistite ostatke s oštrica sa čvrstom četkom i potom pažljivo primijenite sredstvo protiv hrđe prije ponovnog postavljanja štitnika oštrice. Proizvođač preporučuje da koristite sprej protiv hrđe i sredstvo za podmazivanje ravnomjerno i smanjite opasnost od osobnih ozljeda od kontakata s oštricama. Za informacije o prikladnim proizvodima kao sprej, provjerite kod lokalnog ovlaštenog servisnog centra.
- Često provjeravajte sve matice i zavrtnje da li su dobro pritegnuti kako biste bili sigurni da je proizvod u sigurnom radnom stanju. Svaki oštećeni dio trebao bi pravilno popraviti ili zamijeniti ovlašteni servisni centar.

### UPOZNAJTE SVOJ PROIZVOD

Pogledajte stranicu 106.

1. Štitnik za nož
2. Prednji okidač
3. Prednja ručka
4. Stražnja ručka
5. Sklopka za pokretanje
6. Oštrica
7. HEDGESWEEP čistač otpadaka
8. Poklopac oštrice
9. Upute za uporabu
10. Baterija
11. Punjač

### SIMBOLI NA PROIZVODU



Sigurnosno upozorenje



Prije rada s proizvodom morate pročitati i razumjeti sve upute. Slijedite sva upozorenja i sigurnosne upute.



Europska oznaka sukladnosti



Britanska oznaka sukladnosti



EurAsian znak konformnosti



Ukrajinska oznaka sukladnosti



Otpadni električni proizvodi ne treba da se odlažu s otpadom iz domaćinstva. Molimo da reciklirate gdje je to moguće. Potražite savjet od lokalnih vlasti ili prodavca kako reciklirati.



Nosite sredstva za zaštitu očiju



Nosite zaštitu za sluh



Ne izlažite kiši ili vlažnim uvjetima.



Nosite zaštitne rukavice velike debljine koje se ne klizu.



Uvijek držite trimer za ogradu s obje ruke prilikom rada.



Za spreječavanje ozbiljnih ozljeda, ne dodirujte oštrice za rezanje.



Jamčena razina zvučne snage (RY18HT50A)



Jamčena razina zvučne snage (RY18HT45A)



Čuvajte se odbačenih ili letećih predmeta. Držite sve promatrače naročito djecu i kućne ljubimce, na udaljenosti najmanje 15 m od radnog područja.



Prije započinjanja bilo kakvih radova na proizvodu uklonite bateriju.

## SIMBOLI U OVOM PRIRUČNIKU



Upozorenje



Napomena

Varnost, učinkovitost in zanesljivost so bile pri načrtovanju vaših brezžičnih škarij za obrezovanje žive meje ključnega pomena.

### NAMEN UPORABE

Brezžični obrezovalnik žive meje je predviden izključno za uporabo na prostem v suhih pogojih in pri dobri osvetlitvi.

Izdelek je namenjen za domačo uporabo. Izdelek je predviden za rezanje in obrezovanje grmičevja, živih meja in podobne vegetacije.

Za druge namene ga ne uporabljajte.

### SPLOŠNA VARNOSTNA OPOZORILA ZA IZDELEK

**⚠ OPOZORILO! Preberite vsa varnostna opozorila, risbe in tehnične podatke, priložene tem izdelkom.** Neupoštevanje spodaj navedenih navodil se lahko odrazi v električnem udaru, požaru in/ali hudih telesnih poškodbah.

**Shranite vsa opozorila in navodila za kasnejšo uporabo.**

Izraz »električno orodje« v opozorilih se nanaša na električno napajani (ožičeni) izdelek ali baterijsko napajani (brezžični) izdelek.

### DELOVNO OBMOČJE

- **Delovno območje naj bo čisto in dobro osvetljeno.** V neurejenih in temnih območjih se rade zgodijo nesreče.
- **Električnih orodij ne uporabljajte v eksplozivnih okoljih npr. v bližini vnetljivih tekočin, plinov ali prahu.** Električna orodja proizvajajo iskre, ki lahko vnamejo prah ali hlape.
- **Med uporabo električnega orodja v bližino ne pustite otrok in drugih ljudi.** Zaradi zmanjšane koncentracije lahko izgubite nadzor.

### ELEKTRIČNA VARNOST

- **Vtiči električnih orodij se morajo prilegati vtičnicam.** Vtiča nikoli in na noben način ne smete spreminjati. **Z ozemljenimi električnimi orodji ne uporabljajte adapterjev vtiča.** Nespremenjeni vtiči in ustrezne vtičnice zmanjšajo tveganje električnega udara.
- **Izogibajte se telesnemu stiku z ozemljenimi površinami, kot so cevi, radiatorji, kuhalniki in hladilniki.** Če je vaše telo ozemljeno, obstaja povečano tveganje električnega udara.
- **Izdelka ne izpostavljajte dežju ali vlagi.** Voda v električnem orodju znatno poveča tveganje električnega udara.
- **Kabla ne uporabljajte za neustrezne namene.** Kabla nikoli ne uporabljajte za prenašanje, vleko ali izklop električnega orodja. Pazite, da kabel ne pride v stik z vročino, oljem, ostrimi robovi ali gibljivimi deli. Poškodovani ali zapleteni kabli zvišujejo tveganje električnega udara.
- **Med uporabo električnega orodja na prostem uporabljajte podaljševalni kabel, ki je primeren za zunanjo uporabo.** Uporaba kabla, primerne za zunanjo uporabo, znižuje tveganje električnega udara.
- **Če je delo z električnim orodjem v vlažnem okolju neizogibno, uporabite tokovno zaščitno stikalo (RCD).** Uporaba naprave RCD zmanjša tveganje za električni udar.

### OSEBNA VARNOST

- **Med obratovanjem bodite pozorni, spremljajte potek dela in uporabljajte zdrav razum.** Električnega orodja ne uporabljajte, ko ste utrujeni oz. pod vplivom drog, alkohola ali zdravil. Trenutek nepazljivosti med uporabo električnega orodja lahko povzroči hude telesne poškodbe.
- **Uporabljajte osebno zaščitno opremo. Vedno nosite zaščito za oči.** Če v različnih okoliščinah nosite ustrezno zaščitno opremo, kot so maska proti prahu, obutev z nedrsečim podplatom, trdno pokrivalo glave in zaščita za sluh, zmanjšate možnost telesnih poškodb.
- **Preprečite neželen zagon. Preden orodje priključite na vir napajanja, vstavite baterije, ga vzamete v roke ali prenašate, se prepričajte, da je stikalo v izključenem položaju.** Prenašanje električnih orodij, tako da prst držite na stikalo, ali dovajanje napajanja električnim orodjem, pri katerih je stikalo v položaju »on (vklop)« poveča tveganje nesreč.
- **Pred vklopom električnega orodja odstranite morebitne nastavitvene ključe ali izvijače.** Izvijač ali ključ, ki ostane pritren na vrtljivi del električnega orodja, lahko povzroči telesne poškodbe.
- **Nesiahajte priliš daleko. Pazite, da stojite stabilno in da imate ravnotežje.** To omogoča boljši nadzor nad električnim orodjem v nepričakovanih situacijah.
- **Bodite primerno oblečeni. Ne nosite ohlapnih oblačil ali nakita.** Las in oblačil ne približujte gibljivim delom. Ohlapna oblačila, nakit ali dolgi lasje se lahko zapletejo v gibljive dele.
- **Če so naprave namenjene priključitvi na pripomočke za sesanje in zbiranje prahu, se prepričajte, da so ti priključeni in ustrezno uporabljeni.** Uporaba zbiralca prahu lahko zmanjša nevarnosti, povezane s prahom.
- **Pazite, da zaradi pogoste uporabe orodja ne postanete preveč samozavestni pri svojem delu in ne namenite pozornosti upoštevanju varnostnih načel uporabe.** Neprevidnost lahko že v delčku sekunde povzroči hudo poškodbo.

### UPORABA IN NEGA ELEKTRIČNEGA ORODJA

- **Izdelka ne preobremenjujte.** Uporabite električno orodje, ki ustreza vašemu delu. Ustrezno električno orodje bo nalogo opravilo bolje in varneje v kategoriji, za katero je bilo zasnovano.
- **Ne uporabljajte električnega orodja, če ga stikalo ne vklopi ali izklopi, kot bi bilo treba.** Kakršno koli električno orodje, ki ga ni mogoče nadzirati s stikalom, je nevarno in ga je potrebno popraviti.
- **Pred izvajanjem prilagoditev, menjavanjem dodatkov ali shranjevanjem električnega orodja vtič izključite iz vira napajanja in/ali iz električnega orodja odstranite akumulatorsko baterijo, če se lahko odstrani.** Tovrstni preventivni varnosti ukrepi zmanjšajo možnost slučajnega zagona električnega orodja.
- **Električna orodja, ki niso v uporabi, shranjujte izven dosega otrok in ne dovolite, da bi električno orodje uporabljale osebe, ki niso seznanjene z električnim orodjem ali s temi navodili.** Električna orodja so v rokah neusposobljenih uporabnikov nevarna.
- **Električno orodje in dodatke vzdržujte. Preverite, če so gibljivi deli napačno poravnani ali zaskočeni,**

EN

FR

DE

ES

IT

NL

PT

DA

SV

FI

NO

RU

PL

CS

HU

RO

LV

LT

ET

HR

SL

SK

BG

UK

TR



če so sestavni deli polomljeni ali če obstaja kakršno koli druge stanje, ki lahko vpliva na varno delovanje električnega orodja. Če je električno orodje poškodovano, ga pred ponovno uporabo dajte v popravilo. Številne nesreče zakrivijo neustrezno vzdrževana električna orodja.

- **Rezalna orodja naj bodo vedno nabrušena in čista.** Pravilno vzdrževana rezalna orodja z ostrimi rezili se težje zaskočijo in jih je lažje nadzirati.
- **Električno orodje, dodatke, nastavke za orodje itd. uporabljajte v skladu s temi navodili ter upoštevajte delovne pogoje in vrsto dela, ki ga boste izvajali.** Uporaba električnega orodja za namene, ki so drugačni od tistih, za katere je bilo orodje zasnovano, lahko povzroči nevarne situacije.
- **Ročaji in površine za prijem naj bodo suhe in čiste, na njih naj ne bo olja ter maščobe.** Če so ročaji ali površine za prijem spolzke, ni zagotovljeno varno rokovanje in upravljanje z orodjem v nepričakovanih situacijah.

## NEGA IN UPORABA ORODJA ZA AKUMULATOR

- **Baterijo polnite le s polnilnikom, ki ga določa proizvajalec.** Polnilnik, ki ustreza eni vrsti baterij, morda lahko povzroči požar, če z njim polnite drugo vrsto baterij.
- **Baterijska orodja uporabljajte samo s predpisano vrsto baterij.** Uporaba katerih koli drugih baterij ustvari tveganje poškodb in požara.
- **Ko baterije ne uporabljajte, pazite, da bo odmaknjena od kovinskih predmetov, kot so papirne sponke, kovanci, ključji, željni, vijaki ali drugih majhni kovinski predmeti, ki bi lahko povzročili povezavo med obema terminaloma.** Kratak stik zaradi povezanih terminalov baterije lahko povzroči opekline ali požar.
- **Ob zlorabi baterije lahko iz nje steče tekočina. Če se po nesreči dotaknete tekočine, mesto dotika sperite z vodo. Če pride tekočina v stik z očmi, poiščite zdravstveno pomoč.** Tekočina, ki izteče iz baterije, lahko povzroči vnetje ali opekline.
- **Poškodovanega ali spremenjenega akumulatorja oziroma orodja ne uporabljajte.** Poškodovani ali spremenjeni akumulatorji lahko delujejo na nepredvidljiv način, kar lahko povzroči požar, eksplozijo ali nevarnost telesne poškodbe.
- **Akumulatorskega vložka ali orodja ne izpostavljajte ognju ali previsokim temperaturam.** Ob izpostavljenosti ognju ali temperaturam, višjim od 130 °C, lahko pride do eksplozije.
- **Dosledno upoštevajte navodila za polnjenje in akumulatorja oziroma orodja ne polnite izven temperaturnega razpona, predpisanega v navodilih.** Ob nepravilnem polnjenju oziroma polnjenju pri temperaturah izven predpisanega razpona se lahko poškoduje akumulator in poveča nevarnost požara.

## SERVISIRANJE

- **Električno orodje naj servisira usposobljena oseba, uporabljati pa sme le originalne nadomestne dele.** To bo zagotovilo vzdrževanje varnostni električnega orodja.
- **Nikoli ne servisirajte poškodovanih akumulatorjev.** Akumulatorje lahko servisira samo proizvajalec ali pooblaščen servisier.

## VARNOSTNA OPOZORILA ZA BREŽIČNI OBREZOVALNIK GRMIČEVJA

- **Ne približujte delov telesa rezilu. Ne odstranjujte zagodenega materiala medtem, ko se rezilo premika.** Rezila se po zaustavitvi motorja še naprej vrtijo. Trenutek nepazljivosti med uporabo izdelka lahko privede do resnih telesnih poškodb.
- **Obrezovalnik žive meje prenašajte tako, da ga držite za ročaj, ki je rezilo zaustavljeno, in bodite previdni, da ne pritisnete nobenega stikala za vklop.** Z ustreznim prenašanjem obrezovalnika žive meje zmanjšate nevarnost nenamerne zagona in posledično telesne poškodbe, ki jo lahko povzročijo rezila.
- **Med prevozom ali shranjevanjem obrezovalnika žive meje vedno namestite pokrov rezila.** Z ustreznim ravnanjem z obrezovalnikom žive meje zmanjšate nevarnost telesne poškodbe, ki jo lahko povzročijo rezila.
- **Med čiščenjem zagodenega materiala ali servisiranjem enote se prepričajte, da so vsa stikala za vklop izklopljena in da je baterijski vložek odstranjen ali odklopljen.** Nepričakovana sprožitev obrezovalnika grmičevja med čiščenjem zagodenega materiala ali servisiranjem lahko povzroči hudo telesno poškodbo.
- **Obrezovalnik žive meje držite izključno za izolirana držala, ker se rezilo lahko dotakne skritih kablov.** Rezila, ki pridejo v stik s kablom pod napetostjo, lahko povzročijo prenos napetosti na dele obrezovalnika žive meje, zaradi česar operater lahko doživi električni udar.
- **Zagotovite, da so napajalni kabli in kabli umaknjeni iz območja rezanja.** Napajalni kabli ali kabli se lahko skrijejo v živi meji ali grmovju, zato jih lahko nenamerno prerežete z rezilom.
- **Obrezovalnika žive meje ne uporabljajte v slabih vremenskih pogojih, predvsem če obstaja nevarnost grmenja.** To zmanjša nevarnost udara strele.

## DODATNA VARNOSTNA OPOZORILA

- **Ne poskušajte žagati stebel ali vej, debelejših od 22 mm v primeru RY 18HT45A ali 24 mm v primeru RY 18HT50A, oziroma vej, ki so očitno prevelike za rezilo.** Velika stebela odrežite z neelektrično ročno žago.
- **Ko izdelek upravljate, ga vedno trdno držite za ročaja z obema rokama.**
- **Prev vsako uporabo pregledjte stroj.** Preverite privitost in pritrjenost delov, tesnjenje goriva itd. Prepričajte se, da so vsa varovala in ročaji pravilno in trdno pritrjeni. Pred uporabo zamenjajte poškodovane dele. Preverite, ali baterija pušča.
- **Preverite, ali so v živih mejah in grmovju ovire, kot so žičnate ograje in skrite žice.**
- **Med uporabo izdelka lahko stojite samo na tleh in ne na kakršnikoli drugi nestabilni podpori.**
- **Pripomočka ne uporabljajte pri slabi osvetljavi.** Upravljevec mora imeti jasen pregled nad delovnim območjem, da lahko prepozna morebitne nevarnosti.
- **Zaščita za sluh zmanjša vašo sposobnost, da slišite opozorila (alarme ali klice).** Upravljevec mora še bolj paziti na dogajanje v okolici.



- Izklopite izdelek, odstranite baterijski vložek in počakajte, da se ohladi. Prepričajte se, da so se vsi premikajoči se deli popolnoma zaustavili:
  - pred nastavljanjem delovnega položaja rezil
  - preden opravite servis
  - preden odstranite zamašek
  - pred preverjanjem in čiščenjem izdelka ali delom na njem,
  - preden menjate dodatke
  - preden zapustite napravo
  - preden preverite, ali so nastale poškodbe po udarcu ob predmet
  - pred izvedbo vzdrževanja
  - če izdelek začne nenormalno vibrirati
- Izdelka ne potiskajte skozi gosto grmičevje. S tem se rezila lahko upočasnijo. Če se rezila upočasnijo, upočasnite tempo.
- Če izdelek pade, močno trči ali začne nenormalno vibrirati, ga nemudoma zaustavite in preverite, ali je poškodovan oziroma poiščite vzrok vibriranja. Vsakršno poškodbo mora ustrezno popraviti ali zamenjati pooblaščen servisni center.
- Izdelek uporabljajte samo pri temperaturah med 0 °C in 40 °C.
- Izdelek shranjujte v prostoru, v katerem je temperatura okolja med 0 °C in 40 °C.
- Daljša uporaba orodja lahko privede do poškodb ali pa so poškodbe lahko hujše. Kadar orodje uporabljate dalj časa, si večkrat vzemite odmor.

#### DODATNA VARNOSTNA OPOZORILA ZA BATERIJO

- V izogib, s kratkim stikom povzročene nevarnosti požara, poškodb ali okvar na proizvodu, orodja, izmenljivega akumulatorja ali polnilne naprave ne potaplajte v tekočine in poskrbite, da ne bo prihajalo do vdora tekočin v naprave in akumulatorje. Korozivne ali prevodne tekočine, kot so slana voda, določene kemikalije in belila ali proizvodi, ki le ta vsebujejo, lahko povzročijo kratek stik.
- Baterijski vložek polnite na mestu, kjer je temperatura okolja med 10 °C in 38 °C.
- Baterijski vložek shranjujte na mestu, kjer je temperatura okolja med 0 °C in 40 °C.
- Baterijski vložek uporabljajte na mestu, kjer je temperatura okolja med 0 °C in 40 °C.

#### TRANSPORT IN SHRANJEVANJE

- Pred shranjevanjem ali transportom izdelka izdelek izklopite, odstranite baterijski vložek in počakajte, da se ohladi.
- Očistite vse tujke z izdelka. Izdelek shranjujte v dobro prezračenem prostoru izven dosega otrok. Za dodatno varnost baterijo shranite ločeno od izdelka. Shranjujte proč od korozivnih sredstev, kot so vrtno kemikalije in soli za topljenje ledu. Izdelka ne shranjujte na prostem.
- Pred shranjevanjem ali med transportom izdelka namestite ščitnik rezila.
- Za transport zavarujte izdelek pred premiki ali padci, da preprečite poškodbe oseb ali izdelka.

#### PRENAŠANJE LITIJEVIH BATERIJ

Baterije prevažajte v skladu z lokalnimi in državnimi uredbami in predpisi.

Upoštevajte vse posebne zahteve glede pakiranja in označevanja, kadar prevoz opravlja tretja oseba. Zagotovite, da baterije med prevozom ne morejo priti v stik z drugimi baterijami ali prevodnimi materiali tako, da zaščitite izpostavljene konektorje z izolacijo, neprevodnimi pokrovi ali trakom. Ne prevažajte poškodovanih baterij oz. baterij, ki puščajo. Za nadaljnje informacije se obrnite na posredovalno podjetje.

#### VZDRŽEVANJE

- Uporabljajte le originalne rezervne dele in dodatke, ki jih priporoča proizvajalec. V nasprotnem primeru naprava lahko slabo deluje, povzroči poškodbe, garancija pa ne velja več.
- Servisiranje zahteva posebno pozornost in znanje in naj jo zato opravlja samo izurjeni servisni tehnik. Izdelek naj servisirajo izključno v pooblaščenem servisnem centru.
- Rezila so izredno ostra. Da preprečite poškodbe oseb, bodite pri čiščenju, mazanju in nameščanju ter odstranjevanju zaščitne rezila izredno previdni.
- Pred nastavljanjem, vzdrževanjem ali čiščenjem izdelka odstranite baterijski vložek.
- Opravljati smete le nastavitve in popravila, ki so opisana v teh navodilih za uporabo. Druga popravila izdelka naj izvedejo izključno v pooblaščenem servisu.
- Po vsaki uporabi očistite plastične dele z mehko, suho krpo.
- Po vsaki uporabi s trdo krtačo z rezila odstranite ostanke, nato pa previdno nanesite mazivo proti rji, preden znova namestite zaščitno rezila. Proizvajalec priporoča uporabo zaščitnega sredstva pred rjo ter spreja, ki ju enakomerno nanesete, ter s tem zmanjšate tveganje za poškodbe oseb zaradi stika z rezilom. Za informacije o ustreznem spreju se obrnite na lokalni pooblaščen servisni center.
- Pogosto preverjajte, ali so vse matice in vijaki dobro priti in tako zagotovite varno delovno stanje izdelka. Vsak poškodovani del mora ustrezno popraviti ali zamenjati pooblaščen servisni center.

#### SPOZNAJTE SVOJ IZDELEK

Glejte stran 106.

1. Varovalo rezila
2. Sprednji speožilec
3. Sprednji ročaj
4. Zadnji ročaj
5. Sprožilec
6. Rezilo
7. Čistilnik smeti HEDGESWEEP
8. Pokrov rezila
9. Priročnik za uporabo
10. Akumulator
11. Polnilec

#### SIMBOLI NA IZDELKU



Varnostni alarm



Pred uporabo izdelka preberite in razumite vsa navodila. Upoštevajte vsa opozorila in varnostna navodila.



Evropski znak skladnosti



Britanski znak skladnosti



EurAsian oznaka o skladnosti



Ukrajinski znak skladnosti



Odpadne električne izdelke odlagajte skupaj z ostalimi gospodinjstvi odpadki. Reciklažo opravljajte na predpisanih mestih. Za reciklažni nasvet se obrnite na lokalne oblasti.



Nosite zaščito za oči



Nosite zaščito za ušesa



Ne izpostavljajte ga dežju ali vlagi.



Nadenite si nederseče zaščitne rokavice za težka dela.



Obrezovalnik med delom vedno držite z obema rokama.



Da bi preprečili resne poškodbe, se ne dotikajte rezil.



Zajamčena raven zvočne moči (RY18HT50A)



Zajamčena raven zvočne moči (RY18HT45A)



Pazite na izvržene ali leteče predmete. Opazovalci, predvsem otroci in domače živali, morajo biti najmanj 15 m od območja uporabe.



Pred izvajanjem del na pripomočku odstranite akumulatorski vložek.

## SIMBOLI V TEM PRIROČNIKU



Opozorilo



Opomba



Na dosiahnutie jednoduchšej obsluhy a prevádzky boli pri navrhovaní tohto akumulátorového strihača živého plotu najvyššou prioritou bezpečnosť, výkon a spoľahlivosť.

## ÚČEL POUŽITIA

Akumulátorové nožnice na živý plot sú určené na používanie vonku, v suchom a dobre osvetlenom prostredí.

Tento produkt je určený na domáce použitie. Je určené na rezanie a orezávanie živých plotov, raždia a podobnej vegetácie.

Nepoužívajte na žiadne iné účely.

## VŠEOBECNÉ BEZPEČNOSTNÉ VÝSTRAHY PRE VÝROBOK

**⚠ VAROVANIE! Prečítajte si všetky pokyny s bezpečnostnými výstrahami, obrázky a parametre uvádzané pre tento výrobok. Pri nedodržaní pokynov uvedených nižšie môže dôjsť k úrazu elektrickým prúdom, požiaru alebo závažnému osobnému poraneniu.**

**Odložte všetky upozornenia a pokyny použité v budúcnosti.**

Výraz „elektrické náradie“ uvádzaný vo výstrahách sa vzťahuje na produkt napájaný zo siete (s káblom) alebo produkt napájaný akumulátorom (bez kábla).

## PRACOVNÝ PRIESTOR

- **Pracovisko udržiavajte v čistote a správne osvetlené.** Prepchané alebo tmavé miesta zvyšujú pravdepodobnosť nehôd.
- **Nepracujte s mechanickými nástrojmi vo výbušných atmosférach, napríklad v blízkosti zápalných tekutín, plynov alebo prachu.** Mechanické nástroje vytvárajú iskry, ktoré môžu podpáliť takýto prach alebo výpary.
- **Deti a okolostojaci sa počas práce s mechanickým nástrojom nesmú zdržovať v jeho blízkosti.** Rozptylenie môže spôsobiť, že stratíte nad nástrojom kontrolu.

## ELEKTRICKÁ BEZPEČNOSŤ

- **Zástrčky mechanického nástroja musia zodpovedať zásuvke. Zástrčku nikdy žiadnym spôsobom neupravujte. S uzemnenými mechanickými nástrojmi nepoužívajte rozdvojné zásuvky.** Použitím neupravovaných zástrčiek a zodpovedajúcich zásuviek sa znižuje riziko úrazu elektrickým prúdom.
- **Vyhýbajte sa telesnému kontaktu s uzemnenými povrchmi, napríklad rúrami, radiátormi, sporákmi a chladničkami.** Ak je vaše telo uzemnené, hrozí vysoké riziko úrazu elektrickým prúdom.
- **Nevystavujte produkt dažďu ani mokrému prostrediu.** Voda, ktorá vnikne do mechanického nástroja, zvyšuje riziko úrazu elektrickým prúdom.
- **Kábel nenamáhajte. Nikdy nepoužívajte kábel na prenášanie, ťahanie alebo odpájanie mechanického nástroja.** Kábel nedávajte do blízkosti tepla, oleja, ostrých okrajov alebo pohyblivých dielov. Poškodené alebo zamotané káble zvyšujú riziko úrazu elektrickým prúdom.
- **Pri práci s mechanickým nástrojom v exteriéri používajte predlžovací kábel vhodný pre použitie v exteriéri.** S káblom vhodným pre použitie v exteriéri sa znižuje riziko úrazu elektrickým prúdom.

- **Ak je nevyhnutné pracovať s mechanickým nástrojom vo vlhkom prostredí, použite zdroj chránený zariadením pre zvyškový prúd.** Použitie zariadenia pre zvyškový prúd znižuje riziko úrazu elektrickým prúdom.

## OSOBNÁ BEZPEČNOSŤ

- **Pri práci s mechanickým nástrojom buďte ostražití, sledujte, čo robíte a používajte zdravý rozum. Nepoužívajte mechanický nástroj, keď ste unavení alebo pod vplyvom drog, alkoholu alebo liekov.** Chvilka nepozornosti počas práce s mechanickými nástrojmi môže spôsobiť závažné osobné poranenie.
- **Používajte osobné ochranné pomôcky. Vždy používajte chrániče zraku.** Ochranné pomôcky ako protiprachová maska, protišmyková bezpečnostná obuv, pevný klobúk alebo chrániče sluchu, používané pre príslušné podmienky, znižujú riziko vzniku osobného poranenia.
- **Zabráňte neúmyselnému spusteniu. Pred zapojením zariadenia do siete a/alebo k jednotke akumulátora, zdvíhaním alebo prenášaním nástroja vždy skontrolujte, či je spínač vo vypnutej polohe.** Pri prenášaní mechanických nástrojov s prstom položeným na spínači alebo pripájaní mechanických nástrojov so zapnutým spínačom sa zvyšuje riziko úrazu.
- **Pred zapnutím nástroja odstráňte prípadný nastavovací klin alebo kľúč.** Keď necháte kľúč alebo klin nasadený na rotujúci diel mechanického nástroja, môže dôjsť k vážnemu poraneniu osôb.
- **Neprečunujte sa. Neustále zachovávajte pevnú oporu nôh a rovnováhu.** Tak si zaistíte lepšiu kontrolu nad mechanickým nástrojom v nečakaných situáciách.
- **Primerane sa oblečte. Nenoste voľný odev ani šperky. Svoje vlasy a odev majte v bezpečnej vzdialenosti od pohyblivých dielov.** Voľný odev, šperky či dlhé vlasy sa môžu zachytiť do pohyblivých častí.
- **Ak sú zariadenia vybavené pripojením na prostriedky na odsávanie a zber prachu, zaistíte, aby boli správne pripojené a primerane sa používali.** Pri použití týchto prostriedkov sa znižujú riziká pochádzajúce z prachu.
- **Nedovoľte, aby znalosti získané počas častého používania náradia spôsobili, že budete ignorovať princípy bezpečnosti pre náradie.** Nedbanlivosť môže spôsobiť závažné poranenie v zlomku sekundy.

## POUŽÍVANIE ELEKTRICKÉHO NÁSTROJA A STAROSTLIVOSŤ OŇ

- **Na nástroj nevyvíjajte silu. Používajte vhodný nástroj pre dané použitie.** Správny mechanický nástroj splní svoju úlohu lepšie a bezpečnejšie pri rýchlosti, na ktorú je určený.
- **Mechanický nástroj nepoužívajte, ak spínač nezapína a nevypína nástroj.** Mechanický nástroj, ktorý sa nedá ovládať spínačom, je nebezpečný a musí sa dať opraviť.
- **Pred vykonávaním akýchkoľvek úprav, výmenou príslušenstva alebo uskladnením elektrického náradia odpojte elektrickú zástrčku zo zdroja napájania a/alebo vyberte z elektrického náradia napájania batériu, ak sa dá vybrať.** Takéto preventívne opatrenie znižuje riziko neúmyselného spustenia mechanického nástroja.



- Nečinné mechanické nástroje odložte mimo dosahu detí a nedovoľte používať mechanický nástroj osobám neoboznámeným s mechanickým nástrojom alebo týmito pokynmi. Mechanické nástroje sú v rukách netrénovaných osôb nebezpečné.
- Vykonávajte údržbu elektrického náradia a príslušenstva. Skontrolujte, či pohyblivé diely nie sú nesprávne nastavené alebo zablokované, či niektoré diely nie sú poškodené, ako aj akýkoľvek iný stav, ktorý by mohol ovplyvniť činnosť mechanického nástroja. V prípade poškodenia nechajte mechanický nástroj pre použitím opraviť. Veľké množstvo nehôd je spôsobených nedostatočnou údržbou mechanických nástrojov.
- Rezacie nástroje udržiavajte ostré a v čistote. Správne udržiavané rezacie nástroje s ostrými ostriami sa menej pravdepodobne zaseknú a ľahšie sa ovládajú.
- Mechanický nástroj, príslušenstvo a vrtáky a pod., používajte v súlade s týmto návodom, pričom berte do úvahy pracovné podmienky a úlohu, ktorú chcete vykonať. Pri používaní mechanického nástroja na iné ako určené činnosti môže dôjsť k nebezpečným situáciám.
- Rukoväte a úchopné povrchy udržiavajte suché, čisté a bez zvyškov oleja či maziva. Klzké rukoväte a úchopné povrchy neumožňujú bezpečnú manipuláciu a ovládanie nástroja v neočakávaných situáciách.

## OŠETROVANIE A ÚDRŽBA AKUMULÁTOROVÉHO NÁRADIA

- Nabíjajte len s použitím nabíjačky špecifikovanej výrobcom. Nabíjačka, ktorá je vhodná pre jeden typ jednotky akumulátora, môže pri použití s inou jednotkou akumulátora spôsobiť riziko požiaru.
- Používajte len mechanické nástroje so špecificky určenými jednotkami akumulátorov. Pri použití iných jednotiek akumulátora vzniká riziko poranenia a požiaru.
- Keď sa jednotka akumulátora nepoužíva, nedávajte ju do blízkosti iných kovových objektov, ako sú papierové sponky, mince, kľúče, klice, skrutky či iné malé kovové predmety, ktoré by mohli skratovať svorky. Pri skratovaní svoriek akumulátora môže dôjsť k popáleninám alebo požiaru.
- Za nevhodných podmienok, keď by z batérie vytekala kvapalina, predchádzajte kontaktu s ňou. Pri náhodnom kontakte opláchnite vodou. Ak tekutina zasiahne oči, dodatočne vyhľadajte lekársku pomoc. Tekutina vytečená z akumulátora môže spôsobiť podráždenie alebo popálenie.
- Poškodenú alebo upravenú súpravu batérií alebo náradie nepoužívajte. Poškodené alebo upravené batérie môžu vykazovať nepredvídateľné správanie s následkom požiaru, výbuchu alebo poranenia.
- Súpravu batérií ani náradie nevystavujte účinkom ohňa ani nadmernej teploty. Vystavenie účinkom ohňa alebo teploty nad 130 °C môže spôsobiť výbuch.
- Dodržiavajte všetky pokyny na nabíjanie a súpravu batérií ani náradie nenabíjajte mimo rozsahu teplôt, ktorý je uvedený v pokynoch. Nesprávne nabíjanie alebo nabíjanie pri teplotách mimo uvedeného rozsahu môže poškodiť batériu a zvýšiť riziko vzniku požiaru.

## OPRAVY

- Servis mechanického nástroja prenechajte kvalifikovanému servisnému pracovníkovi s použitím len identických náhradných dielov. Taktó zachováte bezpečnosť mechanického nástroja.
- Nikdy nevykonávajte servis poškodených súprav batérií. Servis súprav batérií sme vykonávali len výrobca alebo autorizovaní poskytovatelia servisu.

## BEZPEČNOSTNÉ VÝSTRAHY PRE AKUMULÁTOROVÉ NOŽNICE NA ŽIVÝ PLOT

- Všetky časti tela majte vždy v bezpečnej vzdialenosti od čepelí. Neodstraňujte odstrihnutý materiál ani nedržte strihaný materiál, keď sa ostria pohybujú. Po vypnutí motora sa čepele stále otáčajú. Chvíľa nepozornosti počas obsluhy produktu môže spôsobiť závažné osobné poranenie.
- Nožnice na živý plot prenášajte držiac za rúčku, čepele musia byť zastavené a treba dávať pozor, aby ste neaktivovali hlavný vypínač. Správne prenášanie nožnic na živý plot zníži riziko náhodného spustenia a osobného poranenia čepeľami.
- Pri doprave a skladovaní nožnic na živý plot vždy nasadte kryt čepele. Správna manipulácia s nožnicami na živý plot zníži riziko osobného poranenia čepeľami.
- Pri čistení zaseknutého materiálu alebo vykonávaní servisu na jednotke prepnite všetky elektrické vypínače do vypnutej polohy a vyberte alebo odpojte súpravu batérií. Neočakávané spustenie nožnic na živý plot pri odstraňovaní zaseknutého materiálu alebo vykonávaní servisu môže mať za následok vážne osobné poranenie.
- Nožnice na živý plot držte len za izolované povrchy na uchopenie, pretože čepeľ môže prísť do kontaktu so skrytým vedením. Čepele, ktoré sa dotknú kábla pod napätím, môžu spôsobiť vodivosť nechránených kovových častí nožnic na živý plot a spôsobiť obsluhu zasiahnutie elektrickým prúdom.
- Všetky elektrické a ďalšie káble vedte mimo miesta strihania. Elektrické a ďalšie káble sa môžu skrývať v živom plote alebo kríkoch a čepeľ ich môže náhodne prerezať.
- Nožnice na živý plot nepoužívajte za zlých poveternostných podmienok, hlavne ak existuje riziko výskytu bleskov. Znižuje sa tým riziko zasiahnutia bleskom.

## ĎALŠIE BEZPEČNOSTNÉ VÝSTRAHY

- Nepokúšajte sa strihať kmene alebo konáre hrubšie než 22 mm modelom RY18HT45A alebo hrubšie než 24 mm modelom RY18HT50A, pretože sú veľmi veľké pre reznú čepeľ. Na rezanie veľkých kmeňov použite ručnú pílu bez pohonu alebo odvetvovaciu pílu.
- Pri práci s produktom ho vždy držte pevne za obe rukoväte.
- Pred každým použitím nástroj skontrolujte. Skontrolujte, či nie sú uvoľnené napínadlá a či sú všetky kryty a rukoväte správne a bezpečne nasadené. Pred použitím vymeňte všetky poškodené diely. Skontrolujte, či nedochádza k vytekaniu akumulátorovej jednotky.
- Živý plot a kríky skontrolujte, či sa v nich nenachádzajú cudzie predmety, napríklad drôtený plot a skryté kabeleže.



- Tento výrobok sa smie používať len na rovnom povrchu a nesmie sa používať na žiadnej nestabilnej podpore.
- Nepoužívajte výrobok pri slabom osvetlení. Obsluhujúci musí mať jasný výhľad na pracovný priestor, aby mohol identifikovať potenciálne nebezpečenstvo.
- Použitie ochrany sluchu znižuje schopnosť počuť zvukové výstrahy (výkriky alebo alarmy). Operátor musí dávať zvlášť pozor, čo sa deje v pracovnej oblasti.
- Vypnite výrobok, vyberte akumulátor a nechajte ich obidva vychladnúť. Skontrolujte, či sa všetky pohyblivé diely úplne zastavili:
  - pred nastavením pracovnej polohy sečného zariadenia
  - pred vykonávaním servisu
  - pred odstránením zablokovania
  - pred kontrolou, čistením alebo prácou na zariadení
  - pred výmenou príslušenstva
  - pred ponechaním výrobku bez dozoru
  - pred kontrolou poškodenia po narazení na predmet
  - pred vykonaním údržby
  - ak zariadenie začne neštandardne vibrovať
- Výrobkom nasilu nestríhajte hustý porast. To môže spôsobiť zovretie ostří a ich spomalenie. Ak ostria spomalia, znížte tempo.
- Ak produkt spadne, utrpí silný náraz alebo začne neštandardne vibrovať, okamžite ho zastavte s kontrolou, či nedošlo k poškodeniu alebo zistíte príčinu vibrácií. Akékoľvek poškodenie sa musí náležite opraviť alebo vymeniť v autorizovanom servisnom centre.
- Výrobok prevádzkujte len pri teplotách v rozsahu 0 °C až 40 °C.
- Výrobok skladujte na mieste s teplotou okolia v rozsahu 0 °C až 40 °C.
- Pri dlhodobom alebo zvýšenom používaní môže dôjsť k zraneniam. Pri používaní nástroja príliš dlhé obdobia si vždy doprajte pravidelné prestávky.

#### DOPLNKOVÉ BEZPEČNOSTNÉ VÝSTRAHY PRE BATÉRIU

- Aby ste zabránili nebezpečenstvu požiaru spôsobeného skratom, poraneniam alebo poškodeniam výrobku, neponárajte náradie, výmennú batériu alebo nabíjačku do kvapalín a postarajte sa o to, aby do zariadení a akumulátorov nevnikli žiadne tekutiny. Korodujúce alebo vodivé kvapaliny, ako je slaná voda, určité chemikálie a bieliace prostriedky alebo výrobky, ktoré obsahujú bielidlo, môžu spôsobiť skrat.
- Akumulátor nabíjajte len na mieste s teplotou okolia v rozsahu 10 °C až 38 °C.
- Akumulátor skladujte na mieste s teplotou okolia v rozsahu 0 °C až 40 °C.
- Akumulátor používajte na mieste, kde je teplota okolia v rozsahu 0 °C až 40 °C.

#### PREPRAVA A SKLADOVANIE

- Pred uskladnením alebo dopravou výrobok vypnite, vyberte z neho súpravu batérií a nechajte ho vychladnúť.
- Z výrobku odstráňte všetok cudzí materiál. Odložte zariadenie na dobre vetrané miesto, na ktoré nemajú prístup deti. Z bezpečnostných dôvodov skladujte akumulátor oddelene od produktu. Nedávajte zariadenie

do blízkosti korózných činidiel, ako sú záhradné chemikálie a rozmrazovacie soli. Výrobok neuchovávajte vonku.

- Pred uskladnením výrobku alebo dopravou nasadte chránič trojzubového noža.
- Pri preprave zaistite produkt pred pohybom alebo pádom, aby nedošlo k poraneniu osôb alebo poškodeniu produktu.

#### PREPRAVA LÍTOVÝCH AKUMULÁTOROV

Akumulátory prepravujte v súlade s miestnymi smernicami a nariadeniami.

Keď akumulátory prepravuje tretia strana, dodržiavajte všetky požiadavky na balení a označení. Zabezpečte, aby počas prepravy akumulátory neprišli do kontaktu s inými akumulátormi ani vodivými materiálmi – chráňte obnažené konektory pomocou izolácie, nevodivými viečkami alebo páskou. Neprepravujte akumulátory, ktoré sú prasknuté alebo vytekajú. Ďalšie pokyny zistíte u nasledujúcej spoločnosti.

#### ÚDRŽBA

- Používajte len originálne náhradné diely, príslušenstvo a nástavce výrobcu. V opačnom prípade môže dôjsť k možnému poraneniu, nedostatočnému výkonu a strate platnosti záruky.
- Údržba vyžaduje extrémnu starostlivosť a znalosti, a musí byť prevádzkaná výhradne v autorizovanom servise. Servis výrobku zverte len autorizovanému servisnému stredisku.
- Rezné ostria sú veľmi ostré. Aby nedošlo k poraneniu osôb, buďte mimoriadne opatrní pri čistení, mazaní a montáži alebo demontáži ochranného krytu ostria.
- Pred úpravami, údržbou alebo čistením vyberte akumulátor.
- Môžete vykonávať úpravy a opravy popísané v tejto príručke. Ostatné opravy zverte len autorizovanému servisnému stredisku.
- Po každom použití plastové diely očistite mäkkou suchou tkaninou.
- Po každom použití vyčistite sutinu z ostrí pomocou tvrdých kefy a predtým, ako znova namontujete ochranný kryt ostria, dôkladne naneste prostriedok proti hrdzaveniu. Výrobca odporúča aplikovať a rovnomerne naniesť prostriedok proti hrdzaveniu a lubrikačný sprej, čím sa zníži riziko poranenia osôb následkom kontaktu s ostriami. Informácie o vhodnom sprejovom produkte dostanete v miestnom autorizovanom servisnom centre.
- Skontrolujte všetky skrutky, matice v častých intervaloch či sú riadne utiahnuté, aby sa zaistila bezpečná prevádzka produktu. Akýkoľvek poškodený diel sa musí náležite opraviť alebo vymeniť v autorizovanom servisnom centre.

#### OBOZNÁMTE SA S VAŠIM PRODUKTOM

Pozrite stranu 106.

1. Chránič čepele
2. Predný spúšťač
3. Predná rukoväť
4. Zadná rukoväť
5. Spinač
6. Ostrie
7. Zmeták úlomkov HEDGESWEEP

- 8. Kryt ostria
- 9. Návod na obsluhu
- 10. Batéria
- 11. Nabíjačka

## SYMBOLY NA PRODUKTE



Výstražná značka



Pred používaním výrobku si prečítajte a pochopte všetky pokyny. Dodržujte všetky výstrahy a bezpečnostné pokyny.



Európske označenie zhody



Britské označenie zhody



Euroázijská značka zhody



Ukrajinské označenie zhody



Opotrebované elektrické zariadenia by ste nemali odhadzovať do domového odpadu. Prosíme o recykláciu ak je možné. Kontaktujte miestne úrady, alebo predajcu pre viac informácií ohľadom ekologického spracovania.



Používajte chrániče zraku



Používajte chrániče sluchu



Nevystavujte dažďu ani nepoužívajte vo vlhkom prostredí.



Používajte protišmykové odolné ochranné rukavice.



Strihač živého plotu pri práci vždy držte dvoma rukami.



Aby nedošlo k závažnému poraneniu, nedotýkajte sa rezných ostrí.



Garantovaná úroveň hluku (RY18HT50A)



Garantovaná úroveň hluku (RY18HT45A)



Pozor na vymrštené alebo odletujúce objekty. Zabezpečte, aby všetci okolostojaci, hlavne deti a zvieratá, boli aspoň 15 m od plochy používania výrobku.



Vyberte sadu batérií pred vykonávaním akýchkoľvek prác na výrobku.

## SYMBOLY V TOMTO NÁVODE



Varovanie



Poznámka



Безопасността, производителността и надеждността са аспектите, на които е отделен най-голям приоритет при проектирането на вашия безжичен хросторез.

## ПРЕДНАЗНАЧЕНИЕ

Безжичният тример за жив плет е предназначен само за употреба на открито на сухи и добре осветени места.

Този продукт е предназначен за домашна или битова употреба. Продуктът е предназначен за рязане и подрязване на жив плет, храсти и подобна растителност.

Не го използвайте за никакви други цели.

## ОБЩИ ПРЕДУПРЕЖДЕНИЯ ЗА БЕЗОПАСНОСТ ПРИ РАБОТА С ПРОДУКТА

**⚠ ПРЕДУПРЕЖДЕНИЕ!** Прочетете всички инструкции с предупреждения за безопасност, илюстрации и спецификации, предоставени с този продукт. Неспазването на всички инструкции, посочени по-долу, може да доведе до токов удар, пожар и/или сериозно нараняване.

**Съхранявайте всички предупреждения и инструкции за бъдещи справки.**

Терминът „електрически инструмент“ в предупрежденията се отнася до електрически продукт (с кабел) или работещ с батерия (безжичен).

## БЕЗОПАСНОСТ НА РАБОТНАТА ЗОНА

- Поддържайте работното пространство чисто и добре осветено. Безпорядъкът или тъмнината в работното пространство са предпоставка за злополуки.
- Не използвайте електрически инструменти в експлозивни среди, например в присъствието на запалителни течности, газове или прах. По време на работа електрическите инструменти произвеждат искри, които могат да възпламенят прах или пари.
- Дръжте децата и страничните наблюдатели далече, докато боравите с електрически инструмент. Ако вниманието ви бъде отклонено, може да загубите контрола над електрическия инструмент.

## ЕЛЕКТРИЧЕСКА БЕЗОПАСНОСТ

- Щепселът на електрическия инструмент трябва да е съвместим с контакта. В никакъв случай не внасяйте изменения в конструкцията на щепсела. Когато работите със занулени електрически инструменти, не използвайте адаптери за щепсела. Използването на оригиналните щепсели и контакти намалява риска от токов удар.
- Дръжте допир със заземени повърхности, като тръби, радиатори, печки и хладилници. Когато тялото ви е заземено, рискът от възникване на токов удар е по-голям.
- Не излагайте продукта на дъжд или влажни условия. Проникването на вода в електрическия инструмент повишава опасността от токов удар.
- Не насилвайте захранващия кабел. Никога не носете, не изключвайте и не дърпайте електрическия инструмент за кабела. Предпазвайте кабела от нагряване, омасляване, допир до остри ръбове или до подвижни звена на машини. Повредените или усукани кабели увеличават риска от токов удар.

- Когато работите с електрически инструмент на открито, използвайте само удължителни кабели, предназначени за работа на открито. Използването на удължител, предназначен за работа на открито, намалява риска токов удар.
- Ако не можете да избегнете използването на електрически инструмент на влажно място, използвайте RCD (прекъсвач със защитно изключване). Използването на RCD намалява опасността от електрически удар.

## ЛИЧНА БЕЗОПАСНОСТ

- Бъдете бдителни, внимавайте какво правите и проявявайте благоразумие, когато боравите с електрически инструмент. Не използвайте електрическия инструмент, когато сте уморени или под влиянието на наркотични вещества, алкохол или лекарства. Миг невнимание, докато боравите с електрически инструмент, е достатъчен за получаването на сериозни наранявания.
- Използвайте лична защитна екипировка. Винаги носете защитни очила. Предпазни средства като маска против прах, непълзгащи се предпазни обувки, твърда шапка или антифони, използвани при подходящи условия, ще намалят физическите наранявания.
- Не допускайте нежелано стартиране. Преди да вдигате или носите инструмента и преди да го включвате в електрическата мрежа и/или батерия, винаги проверявайте дали превключвателят е на позиция OFF (изкл). Носенето на инструмента с пръст върху превключвателя или включването му към електричеството, докато превключвателят му е на включен, е предпоставка за злополуки.
- Махнете всички гаечни или френски ключове за настройка преди да включите инструмента. Помощен инструмент, забравен на въртящ се елемент, може да доведе до физически наранявания.
- Не се протягайте, за да работите на трудно достижими места. Винаги стъпвайте стабилно по време на работа и пазете равновесие. Това дава възможност за по-добър контрол над електрическия инструмент в неочаквани ситуации.
- Обличайте се целесъобразно. Не носете широки дрехи или украшения. Дръжте косата и дрехите си далече от движещите се части. Широките дрехи, украшенията, дългите коси могат да бъдат захванати и увлечени от движещи се елементи.
- Ако устройствата са оборудвани със съоръжение за издърпване и събиране на прах, уверете се, че е то свързано и функционира правилно. Използването на устройства за събиране на прах ще намали рисковете, свързани с работа в прашни условия.
- Не позволявайте опита ви с често използване на инструменти да ви направи прекалено самоуверени и да ви накара да игнорирате принципите за безопасност. Едно небрежно действие може да доведе до сериозно нараняване в рамките само на секунда.

## ИЗПОЛЗВАНЕ И ОБСЛУЖВАНЕ НА ЕЛЕКТРИЧЕСКИЯ ИНСТРУМЕНТ

- Не насилвайте продукта. Използвайте електрическия инструмент, съобразно





неговото предназначение. Правилно подбраният електрически инструмент ще свърши работата по-добре и по-безопасно в зададения от производителя диапазон на натоварване.

- **Не използвайте електрически инструменти, чиито пусков прекъсвач е повреден.** Електрически инструмент, който не може да бъде контролиран посредством превключвател, е опасен и трябва да бъде ремонтиран.
- **Изключете щепсела на ел. захранването и/или извадете акумулаторната батерия, ако може да се изважда, от електрическия инструмент, преди да извършвате каквито и да е действия по регулиране, смяна на принадлежностите или съхраняване на електрическия инструмент.** Тази мярка премахва опасността от задействане на електрическия инструмент по невнимание.
- **Съхранявайте незаетите електрически инструменти на недостъпни за деца места и не позволявайте на лица, непознати с инструмента или с тези указания, да боравят с него.** Когато са в ръцете на неопитни потребители, електрическите инструменти могат да бъдат изключително опасни.
- **Поддържайте в добро състояние електрическите инструменти и техните принадлежности.** Проверявайте за неизправности или заклиняване в подвижните елементи, за счупени части или други обстоятелства, които могат да влошат работата на електрическия инструмент. Преди да използвате електрическия инструмент, се погрижете повредите да бъдат отстранени. Много от трудовете злополуки се дължат на недобре поддържани електрически инструменти.
- **Поддържайте режещите инструменти винаги добре заточени и чисти.** Инструменти, за които е полагана правилна грижа и са с добре наточени режещи елементи, се управляват по-лесно и вероятността да заядат е по-малка.
- **Използвайте електрическите инструменти, принадлежностите и режещите и др. части съобразно тези указания, като се съобразявате с работните условия и с работата, която ще извършвате.** Използването на електрически инструменти за различни от предвидените от производителя приложения повишава опасността от възникване на трудови злополуки.
- **Поддържайте ръкохватките и повърхностите за захващане сухи, чисти и неомаслени.** Хлъзгавите ръкохватки и повърхности за захващане не дават възможност за безопасно управление и контролиране на инструмента при възникване на неочаквани ситуации.

#### ИЗПОЛЗВАНЕ И ОБСЛУЖВАНЕ НА БАТЕРИЯТА

- **Презареждайте единствено със зарядното устройство, посочено от производителя.** Зарядно устройство, подходящо за зареждане на един вид батерии, може да предизвика риск от пожар, ако бъде използвано за други батерии.
- **Използвайте електрически инструменти с батерии единствено със специално предназначенията за тях батерии.** Използването на всякакви други батерии може да създаде риск от нараняване и пожар.

- **Когато батерията не се използва, съхранявайте я далеч от други метални обекти, като например кламери, монети, ключове, гвоздеи, гайки или други малки метални обекти, които могат да направят връзка между клемите.** Късото съединение от клемите може да доведе до изгаряния или пожар.
- **При неправилно използване батерията може да отдели течност; избягвайте контакт.** Ако случайно настъпи контакт, промийте с вода. Ако течността влезе в контакт с очите, потърсете незабавно медицинска помощ. Отделената от батерията течност може да причини възпаление или изгаряния.
- **Не използвайте акумулаторна батерия или инструмент, които са повредени или променени по някакъв начин.** Повредените или променени батерии могат да работят по непредсказуем начин, което да доведе до пожар, взрив или опасност от наранявания.
- **Не излагайте акумулаторна батерия или инструмент на огън или прекалено висока температура.** Излагането на огън или на температура над 130 °C може да причини взрив.
- **Следвайте всички инструкции за зареждане и не зареждайте акумулаторната батерия или инструмента извън температурния диапазон, посочен в инструкциите.** Неправилното зареждане или зареждането при температури извън посочения диапазон може да повреди батерията и да увеличи риска от пожар.

#### СЕРВИЗНО ОБСЛУЖВАНЕ

- **Ремонтът на електрическите инструменти трябва да се извършва само от квалифицирани специалисти и само с използването на оригинални резервни части.** По този начин се гарантира поддържането на безопасност при работа с електрическия инструмент.
- **Никога не обслужвайте повредени акумулаторни батерии.** Обслужването на акумулаторните батерии трябва да се извършва само от производителя или от оторизирани доставчици на услуги по сервизно обслужване.

#### ПРЕДУПРЕЖДЕНИЯ ЗА БЕЗОПАСНОСТ ЗА БЕЗЖИЧНАТА НОЖИЦА ЗА ЖИВ ПЛЕТ

- **Дръжте всички части на тялото си надалече от острието. Не отстранявайте отрязания материал и не дръжете материала, който ще реже, докато остриетата се движат.** След изключване на двигателя остриетата продължават да се въртят. Миг невнимание по време на работа с продукта може да предизвика сериозни физически наранявания.
- **Носете тримера за жив плет за ръкохватката, със спряно острие и внимавайте да не задействате превключвател за захранването.** Правилното носене на тримера за жив плет ще намали риска от неумишлено стартиране и произтичащи от това физически наранявания от остриетата.
- **При транспортиране или прибиране за съхранение на тримера за жив плет винаги поставяйте капака на острието.** Правилното боравене с тримера за жив плет ще намали риска от физически наранявания от остриетата.



- При отстраняване на заседнали материали или обслужване на уреда всички превключватели на захранването трябва да са изключени, а батерията трябва да е извадена или изключена. Неочаквано задвижване на тримера за жив плет по време на почистване на заседнал материал или обслужване може да доведе до сериозно физическо нараняване.
- Дръжте тримера за жив плет само за изолираните повърхности за хващане, защото острието може да влезе в контакт със скрити кабели. Острията, които влязат в контакт с проводник, по който тече ток, могат да доведат до протичането на ток по неизолираните метални части на тримера за жив плет и да причинят токов удар на оператора.
- Дръжте всички захранващи проводници и кабели настрани от зоната на рязане. Захранващите проводници или кабели може да са скрити в клоци или храсти и може случайно да бъдат срязани от острието.
- Не използвайте тримера за жив плет при лоши метеорологични условия, особено когато има риск от мълнии. Това намалява риска от поразяване от мълния.

#### ДОПЪЛНИТЕЛНИ ПРЕДУПРЕЖДЕНИЯ ЗА БЕЗОПАСНОСТ

- Не опитвайте да режете стъбла или клонки, които са по-дебели от 22 mm за RY18HT45A или 24 mm за RY18HT50A, или очевидно са твърде големи за подаване в режещото острие. Използвайте обикновен ръчен трион или трион за кастрене, за да подрязвате дебели стъбла.
- Когато работите с продукта, винаги го дръжте здраво с две ръце за двете ръкохватки.
- Преди всяка употреба проверявайте машината за неизправности. Проверявайте за разхлабени свръзки, течове на гориво и др. Уверете се, че всички предпазители и дръжки са правилно стабилно прикрупени. Заменяйте повредените части преди употреба. Проверете батерията за течове.
- Проверете живите плетове и храстите за чужди предмети, напр. телени огради и скрити кабели.
- Продуктът трябва да се използва само на нивото на земята, а не върху друга, нестабилна опора.
- Не използвайте уреда при слабо осветление. Операторът трябва да има чиста видимост върху работното пространство, за да идентифицира потенциални опасности.
- При използване на антифони ще се намали способността да чувате предупреждения (подвиквания или аларми). Операторът трябва да е особено внимателен за това, което се случва в работната зона.
- Изключете продукта, извадете акумулаторната батерия и ги оставете да изстинат. Уверете се, че всички движещи се части са спрели напълно:
  - преди регулиране на работната позиция на режещите механизми;
  - преди обслужване
  - преди почистване на запушване
  - преди проверка, почистване или работа по уреда
  - преди смяна на принадлежности

- преди оставяне на izdeliето без надзор
- преди проверка за повреда след удар с предмет
- преди извършването на профилактика
- ако уредът започне да вибрира неестествено
- Не насилвайте продукта през прекалено гъст храсталак. Това може да причини задръстване в остриетата и ги забави. Ако остриетата се забавят, намалете темпото.
- Ако продуктът бъде изпуснат, претърпи силен удар или започне да вибрира неестествено, незабавно изключете продукта и проверете за повреди или се опитайте да идентифицирате причината за вибрирането. Поправките и замените на части при повреда трябва да се извършват от оторизиран сервизен център.
- С продукта трябва да се работи само при температури между 0 °C и 40 °C.
- Съхранявайте продукта при околна температура между 0 °C и 40 °C.
- Продължителното използване на инструмента може да доведе до наранявания или влошаване. При използване на инструмента за продължителни периоди от време правете чести почивки.

#### ДОПЪЛНИТЕЛНИ ПРЕДУПРЕЖДЕНИЯ ЗА БЕЗОПАСНОСТ ЗА БАТЕРИЯТА

- За да избегнете опасността от пожар, предизвикана от късо съединение, както и нараняванията и повредите на продукта, не потапяйте инструмента, сменяемата акумулаторна батерия или зарядното устройство в течности и се погрижете в уредите и акумулаторните батерии да не попадат течности. Течностите, предизвикващи корозия или провеждащи електричество, като солена вода, определени химикали, изобелващи вещества или продукти, съдържащи изобелващи вещества, могат да предизвикат късо съединение.
- Зареждайте акумулаторната батерия на място, на което околната температура е между 10 °C и 38 °C.
- Съхранявайте акумулаторната батерия на място, на което околната температура е между 0 °C и 40 °C.
- Използвайте акумулаторната батерия на място, на което околната температура е между 0 °C и 40 °C.

#### ТРАНСПОРТИРАНЕ И СЪХРАНЕНИЕ

- Изключете продукта, извадете акумулаторната батерия и го изчакайте да се охлади, преди да го приберете за съхранение или да го транспортирате.
- Съхранявайте продукта от всички чужди частици. Съхранявайте продукта на добре проветриво място, недостъпно за деца. За допълнителна сигурност съхранявайте батерията отделно от продукта. Дръжте продукта далече от разяждащи вещества, като например градински химикали и размразяващи соли. Не съхранявайте продукта на открито.
- Поставете протектора на диска, преди да приберете уреда за съхранение или по време на транспортиране.
- Когато транспортирате продукта, го обезопасете така, че да не може да се движи или да падне, защото това може да доведе до евентуални наранявания на хора или повреди по продукта.

## ТРАНСПОРТИРАНЕ НА ЛИТИЕВИ БАТЕРИИ

Транспортирайте батериите в съответствие с местните и национални постановления и разпоредби.

Спазвайте всички специални изисквания за пакетиране и етикетирание, когато транспортирате батерии чрез трето лице. Уверете се, че батериите не влизат в контакт с други батерии или проводими материали по време на транспортиране, като предпазите откритите конектори с изолация, непроводими капачета или лента. Не транспортирайте батерии, които са спукани или текат. Свържете се със следната компания за допълнителен съвет.

### ПОДДРЪЖКА

- Използвайте само оригинални резервни части, аксесоари и приставки от производителя. В противен случай може да се влоши работата на инструмента или да получите тежки контузии, а гаранцията ви ще стане невалидна.
- Сервизното обслужване изисква изключително внимание и специфични познания и следва да бъде извършвано само от квалифициран техник. Продуктът трябва да бъде ремонтиран само в упълномощен сервиз.
- Режещите остриета са изключително остри. За да се предпазите от нараняване, бъдете особено внимателни, когато почиствате, смазвате, монтирате или сваляте протектора на острието.
- Премахнете акумулаторната батерия преди регулиране, поддръжка или почистване на уреда.
- Можете да правите настройки и поправки, описани в това ръководство на потребителя. Останалите видове ремонтни дейности трябва да се извършват само в упълномощен сервизен център.
- След всяка употреба почиствайте пластмасовите части с мека и суха кърпа.
- След всяко използване почиствайте остриетата от отломки с твърда четка, след което смазвайте с препарат против ръжда, преди да монтирате отново протектора на острието. Производителят препоръчва да използвате смазочен спрей против ръжда, за да можете да приложите препарата равномерно и да намалите риска от нараняване при евентуален контакт с остриетата. За повече информация относно подходящ смазочен спрей се обърнете към вашия местен оторизиран сервизен център.
- Периодично проверявайте дали всички гайки, болтове и винтове са правилно затегнати, за да сте сигурни, че продуктът е в изправност. Всяка повредена част трябва да бъде поправена или заменена от упълномощен сервизен център.

### ОПОЗНАЙТЕ ВАШИЯ ПРОДУКТ

Вж. страница 106.

1. Предпазител на острието
2. Преден спусък
3. Предна ръкохватка
4. Задна ръкохватка
5. Спусък
6. Острие
7. Метачка с четки за отпадъци HEDGESWEEP
8. Капак на острие

9. Ръководство за оператора

10. Батерия

11. Зарядно устройство

### СИМВОЛИ НА ПРОДУКТА



Предупреждение относно безопасността



Прочетете и разберете всички инструкции, преди да използвате продукта. Следвайте всички предупреждения и инструкции за безопасност.



Знак за съответствие с европейските изисквания



Знак за съответствие с изискванията на Обединеното кралство



EurAsian знак за съответствие



Знак за съответствие с изискванията на Украйна



Електрическите уреди не трябва да се изхвърлят заедно с битовите отпадъци. Рециклирайте, където има възможност. Обърнете се за съвет по рециклирането към местните власти или разпространителите.



Носете защитни средства за очи



Носете антифони



Не излагайте на дъжд и на влажни условия.



Носете здрави предпазни ръкавици, пригодени против плъзгане.



Винаги дръжте ножицата за жив плет с две ръце, докато работите.



За да избегнете сериозно физическо нараняване, не докосвайте режещите остриета.



Гарантирано ниво на шум (RY18HT50A)



Гарантирано ниво на шум (RY18HT45A)





Внимавайте за изхвърлени или летящи обекти. Близкостоящите, особено деца и домашни любимци, трябва да стоят поне на 15 m от зоната на работа.



Извадете батерията, преди да започнете каквато и да е работа по уреда.

#### СИМВОЛИ В НАСТОЯЩОТО РЪКОВОДСТВО



Предупреждение



Забележка

В дизайні бездротових шпалерних ножиць вищий пріоритет наданий безпеці, продуктивності і надійності.

### ПЕРЕДБАЧУВАНОМУ ВИКОРИСТАННІ

Акумуляторний куцоріз призначений виключно для використання поза приміщенням в умовах мінімальної вологи та достатнього освітлення.

Продукт призначений для домашнього або місцевого використання. Цей виріб призначений для обрізання кущів, живоплотів та іншої подібної рослинності.

Не використовуйте для будь-яких інших цілей.

### ЗАГАЛЬНІ ПОПЕРЕДЖЕННЯ З БЕЗПЕКИ ВИКОРИСТАННЯ

**⚠ Попередження!** Вивчіть всі правила безпеки, інструкції, ілюстрації і специфікації, що поставляються з пристроєм. Недотримання попереджень та інструкцій може призвести до ураження електричним струмом, пожежі та / або серйозної травми.

**Збережіть всі інструкції і вказівки для майбутнього використання.**

Термін "електроінструмент" у попередженнях стосується вашого (дротового) електричного інструменту, що живиться від електромережі, або (бездротового) електричного інструменту, що працює на акумуляторної батареї.

### БЕЗПЕКА РОБОЧОГО МІСЦЯ

- Утримуйте робоче місце в чистоті і добре освітленим. Безлад на робочому місці або темні місця спричиняють аварії.
- Не використовуйте продукт у вибухонебезпечних атмосферах, наприклад, у присутності легко займистих рідин, газів або пилу. Під час роботи косарки виникають іскри, що можуть призвести до займання пилу або парів.
- Тримайте дітей та сторонніх осіб подалі під час роботи електроінструментом. Відволікання уваги може призвести до втрати контролю.

### ЕЛЕКТРОБЕЗПЕКА

- Вилка живлення електроінструменту повинна відповідати розетці. Ніколи не змінюйте вилку. Не використовуйте ніякі вилки-перехідники з заземленими (замкнутими на землю) електроінструментами. Не змінні вилки та відповідні розетки зменшують ризик ураження електричним струмом.
- Уникайте контакту тіла з заземленими поверхнями, такими як труби, радіатори, плити та холодильники. Існує підвищений ризик ураження електричним струмом, якщо ваше тіло заземлене.
- Не надавайте електроінструменти впливу дощу або вологих умов. Попадання води на пристрій збільшує ризик ураження електричним струмом.
- Не зловжуйте шнур. Ніколи не використовуйте шнур живлення для перенесення, переміщення або вилучення вилки з розетки. Тримайте шнур подалі від тепла, масла, гострих кромок або рухомих частин. Пошкоджені або заплутані шнури збільшують ризик ураження електричним струмом.

- При роботі з електроінструментом на вулиці, використовуйте подовжувач, відповідний для використання на відкритому повітрі. Використання кабелю, придатного для використання на відкритому повітрі, знижує ризик ураження електричним струмом.
- При роботі з електроінструментом у вологому середовищі використовуйте залишковий поточний пристрій (ЗПП) захищеного живлення. Використання ЗПП знижує ризик ураження електричним струмом.

### ОСОБИСТА БЕЗПЕКА

- Будьте уважні, дивіться, що ви робите, і використовуйте здоровий глузд при експлуатації виробу. Не працюйте з виробом, коли ви втомлені або знаходяться під дією наркотиків, алкоголю або медикаментів. Найменша необережність при роботі з електроінструментом може призвести до серйозних травм.
- Використовуйте персональне захисне обладнання. Завжди одягайте захисні окуляри. Засоби захисту, такі як респіратор, нековзне взуття, каска або засоби захисту органів слуху, що використовуються в належних умовах знизять ризик отримання травми.
- Виключіть можливість випадкового ввімкнення. Переконайтеся, що вимикач знаходиться у вимкненому положенні перед підключенням до джерела живлення та / або акумуляторної батареї, підніманням або переміщенням інструменту. Не переносьте електроінструмент з пальцем на вимикачі або подачею живлення на інструмент, який має перемикач, щоб запобігти нещасного випадку.
- Перед включенням електроінструменту знімайте регульовальний або гайковий ключ. Гайковий ключ або регульовальний ключ, залишений на обертаємій частині електроінструменту, може призвести до травми.
- Не тягніться. Зберігайте правильну стійку і баланс весь час. Це дозволяє краще контролювати інструмент в несподіваних ситуаціях.
- Одягайтеся правильно. Не носіть вільний одяг або прикраси. Saçlarınızı ve kıyafetlerinizi hareketli parçalardan uzak tutun. Вільний одяг, прикраси або довге волосся можуть потрапити в рухомі частини.
- Якщо є пристрої для підключення для збору пилу, переконайтеся, що вони під'єднані і використовуються правильно. Використання пилозбірника знижує небезпеку, пов'язану з запыленістю.
- Не дозволяйте звичці від частого використання пристрою стати причиною втрати пильності та ігнорувати принципи безпеки роботи з пристроєм. Пам'ятайте, що достатньо частки секунди, щоб отримати серйозні травми.

### ВИКОРИСТАННЯ ТА ДОГЛЯД ЗА ЕЛЕКТРОІНСТРУМЕНТОМ

- Не перевантажуйте електроінструмент. Використовуйте відповідний для вашої потреби електроінструмент. Електроінструмент виконає роботу краще і безпечніше при швидкості, для якої він був розроблений.

- Не використовуйте електроінструмент, якщо перемикач не вклучає та вимикає його. Будь-який електроінструмент, яким не можливо керувати за допомогою перемикача - небезпечний і повинен бути відремонтований.
- Herhangi bir ayar yapmadan ya da aksesuar deđiřtirmeden önce fiři güç kaynađından ve/veya pil takımını çıkartılabiliyorsa aletten çıkarın. Такі запобіжні заходи знижують ризик випадкового запуску приладу.
- Зберігайте непрацюючі електроприлади у недоступному для дітей місці і не дозволяйте особам, які не знайомі з інструкціями електричного прилада або з даними інструкціями, працювати з електроприладами. Електроінструменти небезпечні в руках недосвідчених користувачів.
- Elektrikli aletlerin ve aksesuarların bakımını yapın. Перевіряйте рухомі частини на наявність зміщення елементів або некоректного з'єднання, а також поломки та будь-яких інших чинників, які можуть вплинути на роботу електроінструменту. Якщо пошкоджений, відремонтуйте електроінструмент перед використанням. Багато нещасних випадків є наслідком поганого догляду за електроінструментом.
- Тримайте ріжучий інструмент гострим і чистим. Добре доглянутий ріжучий інструмент з гострими ріжучими крайками рідше зв'язується і легше контролюється.
- Використовуйте електроприлади, приладдя та насадки відповідно до цих інструкцій, урахувавши умови та характер роботи. Використання електричного інструменту для операцій, які відрізняються від призначених, може призвести до небезпечної ситуації.
- Тримайте ручки та поверхні захвату сухими, чистими та без слідів мастила та змазки. Слизькі ручки та поверхні захвату не забезпечують безпечне маніпулювання та керування інструментом у неочікуваних ситуаціях.

## ВИКОРИСТАННЯ І ДОГЛЯД ЗА АКУМУЛЯТОРНИМ ІНСТРУМЕНТОМ

- Перезаряджати тільки за допомогою зарядного пристрою, зазначеного виробником. Зарядний пристрій, що підходить для одного типу акумуляторів, може створити ризик загоряння при використанні з іншим акумуляторним блоком.
- Використовуйте електроінструменти тільки з призначеними для них акумуляторами. Використання будь-яких інших акумуляторів, може створити ризик отримання травми і пожежі.
- Коли акумуляторна батарея не використовується, тримайте її подалі від металевих предметів, таких як кліпси, монети, ключі, цвяхи, гвинти або інші невеликі металеві предмети, які можуть замкнути клеми. Коротке замикання контактів акумулятора може призвести до опіків або пожежі.
- У важких умовах експлуатації, рідина може бути випущена з батареї; уникайте контакту. При випадковому контакті змийте водою. Якщо рідина потрапила в очі, зверніться за медичною допомогою. Рідина з акумулятора може викликати роздратування або опіки.
- Заборонено використовувати акумулятор або пристрій, що були пошкоджені або модифіковані. Використання пошкоджених або модифікованих акумуляторів може мати непередбачувані наслідки, серед яких: виникнення пожежі, вибуху та ризик травмування.
- Уникайте загоряння та високої температури акумулятору або пристрою. Загоряння або висока температура понад 130°C можуть стати причиною вибуху.
- Дотримуйтеся усіх інструкцій щодо заряджання пристрою та уникайте заряджання поза діапазоном температур, що позначені у інструкції. Неправильне заряджання або заряджання при температурі, поза межами позначеними в інструкції, може пошкодити акумулятор та підвищити ризик виникнення пожежі.

## ОБСЛУГОВУВАННЯ

- Дозволяйте обслуговувати ваш електроінструмент тільки кваліфікованому персоналу, використовуючи тільки ідентичні запасні частини. Це гарантуватиме безпечну експлуатацію електроінструменту.
- Заборонено використання пошкоджених акумуляторів. Обслуговування акумуляторів має бути здійснене тільки виробником або у авторизованому сервісному центрі.

## ЗАХОДИ БЕЗПЕКИ ПРИ РОБОТІ З БЕЗДРОВОЮ МАШИНОЮ ДЛЯ ПІДРІЗУВАННЯ ЖИВОПЛОТУ

- При роботі ножі мають знаходитися якнайдалі від тіла. Не видаляйте обрізаний матеріал та не тримайте матеріал, що має різатись, руками, коли леза рухаються. Леза продовжують рухатись протягом короткого часу після вимкнення пристрою. Найменша необережність при роботі з електроінструментом може призвести до серйозних травм.
- Переносьте куцоріз за ручку, при цьому ножі мають бути зупиненими; слідкуйте за тим, щоб випадково не натиснути кнопку ввімкнення. При правильному перенесенні куцоріза знижується ризик випадкового ввімкнення і, як наслідок, травмування ножами.
- Завжди закривайте лезо кожухом під час зберігання або транспортування куцоріза. При правильному поводженні з куцорізом знижується ризик травмування лезами.
- При видаленні матеріалів, що застрягли, або обслуговування обов'язково переконайтеся, що всі перемикачі вимкнені, а акумулятор вийнятий або від'єднаний. Неочікуване включення тримера для живоплоту під час очищення або обслуговування може призвести до серйозної травми.
- Тримайте куцоріз тільки за ізольовані поверхні, тому що лезо може контактувати із прихованою проводкою. У разі контакту ножів з дротом під напругою напруга може передаватися на металеві частини куцоріза, і користувач може бути уражений електричним струмом.
- Слідкуйте за тим, аби дроти живлення не потрапили у зону зрізання. Кабелі живлення можуть бути непомітними у живоплоті або куцах, тому існує ризик їх випадкового перерізання лезом.

- Не користуйтеся кушорізом при поганій погоді, особливо коли існує ризик блискавки. Це зменшує ризик ураження блискавкою.

#### ДОДАТКОВІ ЗАГАЛЬНІ ПОПЕРЕДЖЕННЯ ЩОДО БЕЗПЕКИ

- Не намагайтеся різати гілки або пагони товщиною більше 22 мм для RY18HT45A або 24 мм для RY18HT50A, а також такі, що виглядають занадто великими для ножа. Використовуйте ручну пилу без живлення або ножівку для обрізки великих стовбурів.
- Під час оперування пристроєм, завжди міцно тримайте його обома руками за дві ручки.
- Огляньте виріб перед кожним використанням. Переконайтеся у відсутності протікання палива або послаблених кріплень тощо. Переконайтеся, що всі захисні огорожі, дефлектори і ручки правильно і надійно закріплені. У разі виявлення пошкоджених частин замініть їх до початку роботи. Переконайтеся у відсутності витоків акумулятора.
- Переконайтеся у відсутності в куцах сторонніх об'єктів, зокрема дротової огорожі тощо.
- Цей виріб має використовуватися тільки на рівні землі без використання нестійких опор.
- Не використовуйте при поганому освітленні. Оператор потрібне чіткий огляд робочої області, щоб визначити потенційні небезпеки.
- Використання захисту органів слуху знижує здатність чути попередження (крики або сигнали тривоги). Оператор повинен звернути особливу увагу на те, що відбувається в робочій зоні.
- Вимкніть пристрій, вийміть акумулятор та дайте пристрою та акумулятору охолонути. Переконайтеся, що всі рухомі частини зупинилися.
  - перед регулюванням робочого положення різального пристрою
  - перед обслуговуванням
  - перед очищенням закурплення
  - перед перевіркою, чищенням, або роботі на продукті
  - перед зміною приладдя
  - до того, як залишити продукт без нагляду
  - перед оглядом приладу на наявність пошкоджень і здійснення необхідного ремонту після удару об сторонній предмет.
  - перш ніж виконувати технічне обслуговування
  - якщо продукт починає ненормально вібрувати
- Не проштовхуйте пристрій на держалі через масивні чашарники. Це може призвести до заплутування лез і сповільнення. Якщо леза сповільнюються, зменшіть темп.
- Якщо продукт впав, постраждав від важкого впливу або починає вібрувати, негайно зупиніть обладнання та перевірте на наявність пошкоджень або визначте причину вібрації. Будь-яке пошкодження має бути правильно відремонтовано або замінено в авторизованому сервісному центрі.
- Експлуатувати виріб дозволяється при температурі від 0°C до 40°C.
- Зберігайте виріб у місці, де навколишня температура тримається в межах 0-40°C.

- Тривале використання інструменту може призвести до травмування або загострення існуючої травми. При використанні приладу протягом тривалого періоду часу, часті перерви.

#### ДОДАТКОВІ ПОПЕРЕДЖЕННЯ З ТЕХНІКИ БЕЗПЕКИ ЩОДО ВИКОРИСТАННЯ АКУМУЛЯТОРІВ

- Для запобігання небезпеці пожежі в результаті короткого замикання, травмам і пошкодженню виробів не занурюйте інструмент, змінний акумулятор або зарядний пристрій у рідину і не допускайте потрапляння рідини всередину пристроїв або акумуляторів. Корозійні і струмопровідні рідини, такі як солоний розчин, певні хімікати, вибілювальні засоби або продукти, що їх містять, можуть призвести до короткого замикання.
- Заряджайте акумулятор у місці з температурою від 10°C до 38°C.
- Зберігайте акумулятор у місці, де навколишня температура тримається в межах 0-40°C.
- Використовуйте акумулятор у місці, де навколишня температура тримається в межах 0-40°C.

#### ТРАНСПОРТУВАННЯ ТА ЗБЕРІГАННЯ

- Перед зберіганням або чищенням вимкніть пристрій, вийміть акумулятор та дайте пристрою охолонути.
- Почистіть всі сторонні матеріали з продукту. Зберігайте продукт в добре провітрюваному місці, недоступному для дітей. Для додаткової безпеки зберігайте акумулятор окремо від виробу. Зберігати подаль від агресивних агентів, таких як садові хімікати і солей проти обледеніння. Не зберігайте пристрій на відкритому повітрі.
- Перед зберіганням або транспортуванням виробу надягайте чохол на ножі.
- Для транспортування, забезпечіть машину від руху або падіння, щоб запобігти травми людей або пошкодження машини.

#### ПЕРЕВЕЗЕННЯ ЛІТЄВИХ БАТАРЕЙ

Здійсніть транспортування акумуляторної батареї відповідно до місцевих та загальнодержавних норм і правил.

Дотримуйтесь всі спеціальні вимоги до упаковки і маркування при транспортуванні батареї третьою стороною. Переконайтеся, що під час транспортування акумулятор не вступає в контакт з іншими акумуляторними батареями або струмопровідними матеріалами та захистіть відкриті роз'єми ізоляційними непровідними кришками або стрічкою. Чи не переносьте акумулятори, тріснути або бігу. Зв'язатися з нами для отримання подальших рекомендацій.

#### ТЕХНІЧНЕ ОБСЛУГОВУВАННЯ

- Використовуйте тільки оригінальні запасні частини, аксесуари та обладнання від виробника. Невиконання цієї вимоги може привести до можливої травми, поганій продуктивності та може призвести до втрати гарантії.
- Обслуговування вимагає крайньої обережності і знання і повинно бути виконане тільки кваліфікованим фахівцем. Звертайтеся тільки до авторизованого сервісного центру.

- Лопасті різачка дуже гострі. Для запобігання травм, проявляйте крайню обережність при чистці, змащенні і встановленні або видаленні протектора леза.
- перед регулюванням, технічним обслуговуванням або чистенням виробу обов'язково виймайте акумулятор.
- Ви можете зробити регулювання та ремонт, описані в цьому посібнику користувача. Для обслуговування або ремонту, звертайтеся тільки до авторизованого сервісного центру.
- Після кожного використання, очистуйте пластикові частини м'якою сухою тканиною.
- Після кожного використання, очистіть леза від сміття жорсткою щіткою, а потім ретельно нанесіть мастило від іржі перед установкою протектора леза. Виробник рекомендує для нанесення антикорозійного мастила використовувати розпилювач, щоби забезпечити рівномірний розподіл мастила та зменшити ризик травмування при контакті з лезами. Для отримання інформації про відповідний аерозольний продукт, зв'яжіться з вашим місцевим уповноваженим сервісним центром.
- Перевірте всі гайки, болти і гвинти після короткого проміжка часу на правильну герметичність, щоб забезпечити продукт у безпечному робочому стані. Будь-яка пошкоджена деталь, має бути правильно відремонтована або замінена в авторизованому сервісному центрі.

### ЗНАЙ СВІЙ ПРОДУКТ

Дивіться сторінку 106.

1. Кожух леза
2. Передній курок
3. Передня ручка
4. Задня ручка
5. Клямка
6. Лезо
7. Сміттєзбірник HEDGESWEEP
8. Кришка леза
9. Інструкція з експлуатації
10. Акумуляторна батарея
11. Зарядний пристрій

### СИМВОЛИ НА ПРОДУКТІ



Попередження



Перед використанням пристрою прочитайте та зрозумійте всі інструкції. Дотримуйтеся всіх попереджень та інструкцій з безпеки використання.



Європейський знак відповідності



Британський знак відповідності



Євразійська знак відповідності.



Український знак відповідності



Не викидати відпрацьовані електричні прилади разом із побутовими відходами. Утилізувати у спеціально призначених закладах. За консультацією по утилізації приладу зверніться до органу місцевої влади або дилера



Одягайте захисні окуляри



Одягайте засоби для захисту слуху.



Не піддавайте впливу дощу або вогкому стану.



Носіть неслизькі, надміцні рукавички.



Завжди тримайте виріб обома руками при роботі.



Для запобігання серйозних травм не торкайтеся лез.



Гарантований рівень звукової потужності (RY18HT50A)



Гарантований рівень звукової потужності (RY18HT45A)



Остерігайтеся кинутих або літаючих об'єктів. Сторонні особи, діти та хатні тварини повинні знаходитися не ближче 15 м від робочої зони.



Вийміть батарею перед початком ремонту або технічного обслуговування приладу.

### СИМВОЛИ В ЦЬОМУ ПОСІБНИКУ



Попередження



ПРИМІТКА

Kablosuz çit budama makinenizin tasarımında güvenlik, performans ve güvenilirliğe en yüksek öncelik verilmiştir.

## KULLANIM AMACI

Kablosuz çalı budama makinesi sadece kuru ve iyi aydınlatılmış dış mekanlarda kullanılmak üzere geliştirilmiştir.

Ürün evde veya domestik kullanım için tasarlanmıştır. Bu ürün çalı çitleri, bodur ağaçları ve benzer bitkileri kesmeye ve budamaya yöneliktir.

Başka herhangi bir amaçla kullanmayın.

## GENEL ÜRÜN GÜVENLİĞİ UYARILARI

**⚠ UYARI! Bu ürünle birlikte sağlanan bütün güvenlik uyarı ve talimatlarını, çizim ve teknik özellikleri okuyun.** Aşağıda belirtilen talimatlara uyulmaması, yangın, elektrik çarpması ve/veya ciddi bedensel yaralanmalar gibi kazalar sebep olabilir.

**İleride başvurmak üzere tüm uyarıları ve talimatları saklayın.**

Uyarılardaki "elektrikli alet" terimi şebeke elektriğiyle çalışan (kablolu) ya da pille çalışan (kablosuz) ürünü ifade eder.

## ÇALIŞMA ALANI GÜVENLİĞİ

- Çalışma alanını temiz tutun ve iyi şekilde aydınlatın. Dağınık veya karanlık alanlar kazaya davetiyeye çıkarır.
- Elektrikli aletleri yanıcı sıvıların, gazların veya tozun mevcut olduğu patlayıcı atmosferlerde kullanmayın. Elektrikli aletleri tozu veya buharları ateşleyebilecek kıvılcımlar oluşturur.
- Bir elektrikli alet kullanırken çocukları ve çevredeki insanları uzaklaştırın. Dikkat dağınıklığı kontrolü kaybetmenize neden olabilir.

## ELEKTRİKSEL GÜVENLİK

- Elektrik fişleri prize uygun olmalıdır. Fişi hiçbir zaman hiçbir şekilde değiştirmeyin. Topraklı elektrikli aletlerle birlikte herhangi bir adaptörlü fiş kullanmayın. Üzerinde değişiklik yapılmayan fişler ve uygun prizler elektrik çarpması riskini azaltır.
- Vücudunuzla borular, radyatörler, kuzine ve buzdolabı gibi topraklı ürünlere temas etmekten kaçının. Vücudunuz topraklanırsa yüksek elektrik çarpması riski mevcuttur.
- Ürünü yağmura veya ıslak koşullara maruz bırakmayın. Elektrikli alete su girmesi elektrik çarpması riskini artırır.
- Kabloyu amacı dışında kullanmayın. Kabloyu hiçbir zaman elektrikli aleti taşımak, çekmek veya fişten çıkarmak için kullanmayın. Kabloyu ısıdan, yağdan, keskin kenarlardan veya hareketli parçalardan uzak tutun. Hasarlı veya dolanmış kablolar elektrik çarpması riskini artırabilir.
- Bir elektrikli aleti açık alanda kullanırken açık alanda kullanıma uygun bir uzatma kablosu kullanın. Açık alanda kullanıma uygun bir kablo kullanmak elektrik çarpması riskini azaltır.
- Eğer bir elektrikli aleti nemli bir yerde kullanmazsanız kaçınılmazsa bir artık akım cihazı (RCD) korumalı kaynak kullanın. Bir RCD kullanmak elektrik çarpması riskini azaltır.

## KİŞİSEL GÜVENLİK

- Bir elektrikli alet kullanırken dikkatli olun, yaptığınız işe dikkat edin ve sağduyulu olun. Yorgunken veya uyuşturucu, alkol veya ilaç etkisi altındayken bir elektrikli alet kullanmayın. Elektrikli aletleri kullanırken bir anlık dikkatsizlik ciddi fiziksel yaralanma ile sonuçlanabilir.
- Kişisel koruyucu ekipman kullanın. Koruyucu gözlük takın. Uygun koşullarda kullanılan toz maskesi, kaymaz güvenlik ayakkabıları, kask veya kulak tıkağı fiziksel yaralanma riskini azaltacaktır.
- Kasıtsız başlamayı önleyin. Aleti yerinden alırken veya taşırken güç kaynağına ve/veya pil takımına bağlamadan önce anahtarın kapalı konumda olduğundan emin olun. Elektrikli aletleri parmağımız anahtarın üzerinden veya anahtarlı elektrikli aletlerin gücü açıkken taşımak tehlikeye davetiyeye çıkarır.
- Elektrikli aleti açmadan önce ayar kamasını veya anahtarını çıkartın. Bir ayar anahtarının veya kamanın elektrikli aletin döner parçasına takılı hâlde bırakılması fiziksel yaralanma ile sonuçlanabilir.
- Yukarıya doğru erişmeye çalışmayın. Yere sağlam basın ve dengenizi her zaman koruyun. Bu, beklenmedik durumlarda gücün daha iyi kontrol edilmesini sağlar.
- Uygun şekilde giyinin. Bol kıyafet giymeyin veya takı takmayın. Saçlarınızı ve kıyafetlerinizi hareketli parçalardan uzak tutun. Bol kıyafetler, takı veya uzun saç hareketli parçalara yakalanabilir.
- Eğer toz tahliye ve toplama aparatları için bağlantı cihazları sağlanmışsa bunların doğru şekilde bağlandığından ve kullanıldığından emin olun. Toz toplama aparatı kullanmak tozdan kaynaklanan tehlikeleri azaltabilir.
- Makinelerin sık kullanılması ile elde edilen aşınalığın konsantrasyonunuza kaybettirmesine ve alet güvenliği ilkelerini göz ardı etmenizi sağlamanıza izin vermeyin. Dikkatsizce yapılan bir davranış birkaç saniye içinde ciddi yaralanmaya neden olabilir.

## ELEKTRİKLİ ALET KULLANIMI VE BAKIMI

- Elektrikli aletin kapasitesini zorlamayın. Uygulamanız için doğru elektrikli aleti kullanın. Doğru elektrikli alet tasarlandığı işi daha iyi ve daha güvenli bir şekilde yapacaktır.
- Eğer anahtar açılıp kapanmıyorsa makineyi kullanmayın. Anahtarla kontrol edilemeyen her elektrikli alet tehlikelidir ve onarılmalıdır.
- Herhangi bir ayar yapmadan ya da aksesuar değiştirmeden önce fişi güç kaynağından ve/veya pil takımını çıkartılabiliyorsa aletten çıkarın. Bu gibi önleyici güvenlik tedbirleri elektrikli aletin kazara çalışma riskini azaltır.
- Boş konumda olan elektrikli aletleri çocukların ulaşamayacağı yerde depolayın ve elektrikli aleti tanımayan veya bu talimatları bilmeyen kişilerin elektrikli aleti kullanımına izin vermeyin. Elektrikli aletler eğitimsiz kullanıcıların elinde tehlikelidir.
- Elektrikli aletlerin ve aksesuarların bakımını yapın. Hareketli parçaların hiza kaymasını ve bağlantısını, parçaların kırık olup olmadığını ve elektrikli aletin çalışmasını etkileyebilecek diğer durumları kontrol edin. Eğer hasarıysa elektrikli aleti kullanmadan önce onartın. Pek çok kaza bakımı kötü yapılmış elektrikli aletlerden kaynaklanır.

- Kesici aletleri keskin ve temiz tutun. Uygun şekilde bakımı yapılan keskin kesme kenarlarına sahip kesme aletlerinin sıklıkla kullanılması daha azdır ve kontrol edilmesi daha kolaydır.
- Elektrik aleti, aksesuarları ve alet uçlarını vb. çalışma koşullarını ve yapılacak çalışmayı dikkate alarak bu talimatlara uygun şekilde kullanın. Elektrikli aleti amaçlananlar dışındaki çalışmalar için kullanmak tehlikeli bir durumun oluşmasına yol açabilir.
- Kulpları ve kavrama yüzeylerini kuru, temiz ve yağdan ve gresten arındırılmış hâlde tutun. Kaygan kulplar ve kavrama yüzeyleri beklenmedik durumlarda aletin güvenli şekilde taşınmasına ve kontrol edilmesine izin vermez.

#### BATARYALI ALET BAKIMI VE KULLANIMI

- Sadece üretici tarafından belirtilen şarj cihazı ile şarj edin. Tek bir pil takımı tipine uygun bir şarj cihazı başka bir pil takımı ile birlikte kullanıldığında yangın riski oluşturabilir.
- Elektrikli aletleri sadece özel olarak belirtilmiş pil takımları ile birlikte kullanın. Başka bir pil takımı kullanmak yaralanma ve yangın riski oluşturabilir.
- Pili takımı kullanılmadığı zaman ateş, bozuk para, anahtar, çivi, vida ve diğer metal nesnelere gibi bir terminalden diğerine bağlantı oluşturabilecek diğer metal nesnelere uzak tutun. Pili terminalerinin birlikte kısa devre yapması yanığa veya yangına neden olabilir.
- Kötü koşullarda pilden sıvı boşalabilir; temas etmekten kaçının. Eğer kazara temas ederseniz temas eden yeri suyla yıkayın. Eğer sıvı gözlerinize temas ederse ek olarak tıbbi yardım alın. Pilden boşalan sıvı tahrişe veya yanıklara neden olabilir.
- Hasar görmüş ya da değiştirilmiş pil paketi ya da aleti kullanmayın. Hasar görmüş ya da değiştirilmiş piller yangın, patlama ya da yaralanma riskine yol açabilecek beklenmeyen davranış sergileyebilir.
- Pili paketi ya da aleti ateş ya da aşırı ısıya maruz bırakmayın. Ateş ya da 130°C üzerinde ısıya maruz kalmak patlamaya neden olabilir.
- Şarj işlemine ilişkin tüm talimatlara uyun ve pil paketi ya da aleti talimatlarda belirtilen sıcaklık aralığı dışında şarj etmeyin. Belirtilen sıcaklık aralığı dışında şarj edildiğinde pil zarar görebilir ve yangın riski artar.

#### SERVİS

- Elektrikli aletinizi sadece aynı yedek parçaları kullanarak nitelikli bir tamirciye onartın. Bu, elektrikli aletin güvenliğinin muhafaza edilmesini sağlar.
- Hasarlı pil takımlarına asla bakım uygulamayın. Pili takımlarının bakımı üretici ya da yetkili hizmet sağlayıcılar tarafından yapılmalıdır.

#### KABLOSUZ ÇİT BUDAMA MAKİNESİ GÜVENLİK UYARILARI

- Gövdenizin tamamını bıçaktan uzakta tutun. Bıçaklar hareket halindeyken kesilmiş malzemeyi çıkarmayın ya da kesilecek malzemeyi tutmayın. Bıçaklar, makine durdurulduktan sonra da kısa bir süre dönmeye devam eder. Ürünü kullanırken bir anlık dikkatsizlik ciddi kişisel yaralanmaya yol açabilir.

- Çalı budama makinesini tutamağından tutarak, bıçak durmuşken taşıyın ve güç düğmesine basmamaya dikkat edin. Çalı budama makinesinin düzgün taşınması istemeden çalıştırma ve sonucunda bıçaklardan kaynaklanan yaralanma riskini azaltır.
- Çalı budama makinesini taşıyın ya da depolarken her zaman bıçak koruyucusu takın. Çalı budama makinesinin düzgün kullanılması bıçaklardan kaynaklanan yaralanma riskini azaltır.
- Sıkışmış materyali temizlerken ya da üniteye bakım yaparken tüm güç düğmelerinin kapalı ve pil paketinin çıkarılmış veya bağlantısının kesilmiş olduğundan emin olun. Çalı budama makinesinin sıkışmış materyali çıkarırken veya servis sırasında beklenmedik bir şekilde çalışması ciddi kişisel yaralanmalara yol açabilir.
- Bıçak gizli tellerle temas edebileceği için, çalı budama makinesini sadece yalıtılmış kavrama yüzeyinden tutun. Bıçaklarının "akımlı" bir telle temas etmesi, çalı budama makinesinin açtıkları metal kısımlarının "akımlı" olmasına ve operatörün elektrik çarpmasına maruz kalmasına neden olabilir.
- Tüm güç kabloları ile normal kabloları kesim alanından uzak tutun. Bıçak çiti veya çalılarda gizli kalmış güç kabloları ile kabloları kaza ile kesebilir.
- Çalı budama makinesini kötü hava koşullarında, özellikle de yıldırım riskinin olduğu durumlarda kullanmayın. Bu yıldırım çarpması riskini azaltır.

#### EK GÜVENLİK UYARILARI

- RY18HT45A için 22 mm'den kalın ve RY18HT50A için 24 mm'den kalın veya kesici bıçağa beslemek için açıkça çok geniş olan gövdeleri ve ince dalları kesmeye çalışmayın. Büyük gövdeleri budamak için güç destekli olmayan bir el testeresi veya budama testeresi kullanın.
- Ürünü çalıştırırken mutlaka iki elinizle her iki kulbundan sıkıca tutun.
- Her kullanım öncesi makineyi inceleyin. Gevşemiş tespit elemanları, yakıt sızıntıları olup olmadığını kontrol edin. Tüm korkuluk ve tutamakların yerlerinde bulduklarından emin olun. Kullanmadan önce hasarlı parçaları değiştirin. Pili sızıntı olup olmadığını kontrol edin.
- Çalılarda tel örgü ve gizli kablolar gibi yabancı nesnelere dikkat edin.
- Ürün yalnızca yerde kullanılmamalıdır ve herhangi bir başka sabit olmayan destek üzerinde kullanılmamalıdır.
- Kötü aydınlatmalı koşullarda kullanmayın. Kullanıcının potansiyel tehlikeleri belirlemesi için çalışma alanını net olarak görmesi gerekir.
- Kulak tıkacı kullanımı uyarıları (sesler veya alarmlar) duyma kabiliyetinizi azaltır. Kullanıcı çalışma alanında yapılan işe ekstra dikkat etmelidir.
- Ürünü kapatın, batarya paketini sökün ve her ikisini de soğumaya bırakın. Tüm hareketli parçaların tamamen durduğundan emin olun.
  - ve kesici aksamın konumunu ayarlamaya başlamadan önce
  - servis yapmadan önce
  - tıkanıklığı temizlemeden önce
  - ürünü kontrol etme, temizleme ve ürün üzerinde çalışmadan önce



- aksesuarları değiştirmeden önce
  - ürünün yanından ayrılmadan önce
  - bir cisme çarptıktan sonra, hasar incelemesinde bulunmadan önce
  - bakım işleminden önce
  - eğer ürünler anormal şekilde titremeye başlarsa
- Ürünü yoğun çalı içinde zorla çalıştırmayın. Aksi hâlde bıçakların körelmesine ve yavaşlamasına neden olabilir. Eğer bıçaklar yavaşlarsa hızını düşürün.
  - Eğer ürün düşerse, ağır darbe alırsa veya anormal şekilde titremeye başlarsa ürünü derhal durdurun ve hasara karşı inceleyin veya titreşimin nedenini belirleyin. Her tür hasar yetkili servis merkezi tarafından uygun şekilde onarılmalı veya değiştirilmelidir.
  - Ürünü yalnızca 0°C ve 40°C arası sıcaklıklarda çalıştırın.
  - Ürünü ortam sıcaklığının 0°C ve 40°C arasında olduğu bir yerde muhafaza edin.
  - Ürünün uzun süre kullanılması nedeniyle yaralanmalar meydana gelebilir veya kötüleşebilir. Herhangi bir alet uzun süre kullanıldığında düzenli molalar verdiğinizden emin olun.

### PİL İÇİN EK GÜVENLİK UYARILARI

- Bir kısa devreden kaynaklanan yangın, yaralanma veya ürün hasarları tehlikesini önlemek için aleti, güç paketini veya şarj cihazını asla sıvıların içine daldırmayınız ve cihazların ve pillerin içine sıvı girmesini önleyiniz. Tuzlu su, belirli kimyasallar, aşartıcı madde veya aşartıcı madde içeren ürünler gibi korozif veya iletken sıvılar kısa devreye neden olabilir.
- PİL paketini 10°C ve 38°C arasındaki ortam sıcaklığında şarj edin.
- PİL paketini ortam sıcaklığının 0°C ve 40°C arasında olduğu bir yerde muhafaza edin.
- PİL paketini ortam sıcaklığının 0°C ve 40°C arasında olduğu bir yerde kullanın..

### TAŞIMA VE DEPOLAMA

- Nakletmeden ya da depolamadan önce ürünü kapatın, pil paketini çıkarın ve ürünün soğumasını bekleyin.
- Üründeki tüm yabancı maddeleri temizleyin. Ürünü çocukların erişemeyeceği serin, kuru ve iyi havalandırılmış bir yerde depolayın. İlave güvenlik için, pil paketini üründen ayrı bir yerde saklayın. Bahçe kimyasalları ve buz çözücü tuzlar gibi korozif maddelerden uzak tutun. Ürünü açık havada depolamayın.
- Ürünü depolamadan önce ya da nakliye sırasında bıçak kılıfını takın.
- Taşınacağı zaman insanların yaralanmasını veya ürünün zarar görmesini önlemek amacıyla ürünü hareket etmemesi veya düşmemesi için sabitleyin.

### LİTYUM BATARYALARIN TAŞINMASI

Bataryayı yerel ve ulusal hükümlere ve yönetmeliklere uygun şekilde taşıyın.

Bataryalar üçüncü bir şahıs tarafından taşındığında ambalaj ve etiket üzerindeki tüm özel koşullara uyun. Açıktaki konnektörleri yalıtkan, iletken olmayan başlıklar veya bant ile koruyarak hiçbir bataryanın taşıma sırasında diğer bataryalarla veya iletken malzemelerle temas etmediğinden emin olun. Çatlak veya sızdıran bataryaları taşımayın. Ek tavsiye için nakliye şirketi ile birlikte kontrol edin.

### BAKIM

- Sadece orijinal üreticinin yedek parçalarını, aksesuarlarını ve ek parçalarını kullanın. Aksine davranış olası yaralanmaya yol açabilir, yetersiz performans neden olabilir ve garantinizin geçersiz olmasıyla sonuçlanabilir.
- Servis çalışması en yüksek düzeyde dikkat ve bilgi gerektirir ve sadece nitelikli bir servis teknisyeni tarafından yapılmalıdır. Ürünün servis işlemlerini sadece yetkili bir servis merkezinde yaptırın.
- Bıçaklar keskindir. Bedensel yaralanmaları önlemek için, temizleme ve yağlama sırasında ya da bıçak koruyucusunu takip çıkarırken azami dikkat gösterin.
- Ürünü ayarlamadan, bakımını yapmadan ya temizlemeden önce pili çıkarın.
- Sadece bu kılavuzda açıklandığı şekilde ayar veya onarım yapabilirsiniz. Ürün üzerinde yapılacak diğer onarımları sadece yetkili bir servis merkezinde yaptırın.
- Her kullanımdan sonra plastik parçaları yumuşak, kuru bir bezle temizleyin.
- Her kullanımdan sonra bıçaklardaki kalıntıları sert bir fırçayla temizleyin ve ardından, bıçak koruyucuyu tekrar takmadan önce dikkatlice, paslanma önleyici bir yağlama maddesi sürün. Üretici, eşit bir dağılım uygulamak ve bıçaklarla temastan kaynaklanacak yaralanma riskini azaltmak için paslanma önleyici bir yağlama yağı kullanmayı tavsiye eder. Uygun püskürtme ürünü hakkında bilgi için yetkili bir servis merkezine danışın.
- Ürünün güvenli çalışma durumunda olduğundan emin olmak için tüm somunların, civataların ve vidaların doğru sıklıkta sık aralıklarla takıldığını kontrol edin. Hasarlı her tür parça yetkili servis merkezi tarafından uygun şekilde onarılmalı veya değiştirilmelidir.

### ÜRÜNÜZÜ TANIYIN

Bkz. sayfa 106.

1. Bıçak koruması
2. Ön tetik
3. Ön kulp
4. Arka kulp
5. Tetik
6. Bıçak
7. HEDGESWEEP kalıntı süpürü
8. Bıçak koruyucusu
9. Kullanım kılavuzu
10. PİL
11. Şarj cihazı

### ÜRÜN ÜZERİNDEKİ SEMBOLLER



Güvenlik ikazı



Ürünü çalıştırmadan önce bütün talimatları okuyup anlayın. Tüm uyarı ve güvenlik talimatlarına uyun.



Avrupa Uyumluluk İşareti



Britanya Uyumluluk İşareti







EurAsian Uygunluk İşareti



Ukrayna Uyumluluk İşareti



Atık elektrikli ürünler evsel atıklarla birlikte atılmamalıdır. Lütfen tesislerin mevcut olduğu yerlerde geri dönüştürün. Geri dönüşüm tavsiyesi için bölgenizdeki yetkili merciyeye veya satıcıya başvurun.



Koruyucu gözlük takın.



Kulak tıkacı takın.



Ürünü yağmura veya nemli koşullara maruz bırakmayın.



Kaymaz, ağır iş eldiveni giyin.



Çit budama makinesini kullanırken her zaman iki elinizle tutun.



Ciddi yaralanmaları önlemek için kesme bıçaklarına dokunmayın.



Güvenceli ses gücü seviyesi (RY18HT50A)



Güvenceli ses gücü seviyesi (RY18HT45A)



Fırıl原因 ve sıçrayan nesnelere dikkat edin. Üçüncü şahısları, özellikle çocukları ve evcil hayvanları çalışma alanından en az 15 m uzakta tutun.



Ürün üzerinde herhangi bir çalışma yapmaya başlamadan önce bataryaya takımını çıkartın.

## BU KILAVUZDAKI SEMBOLLER



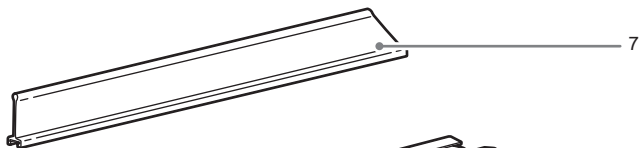
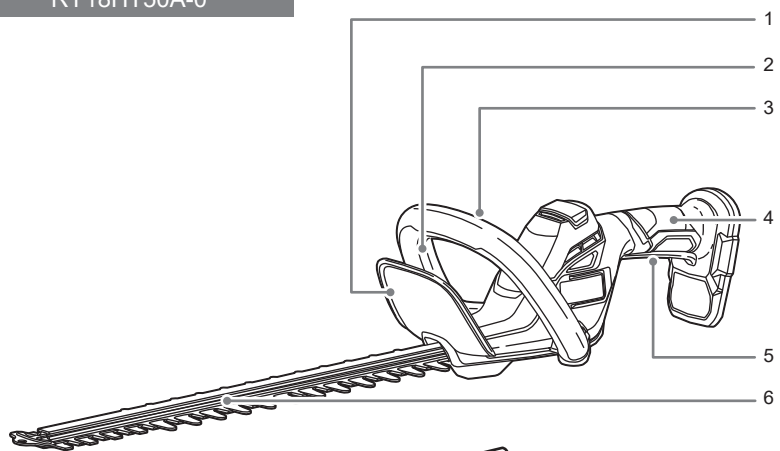
Uyari



Not

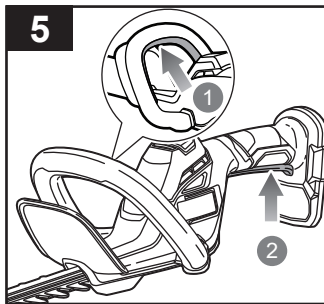
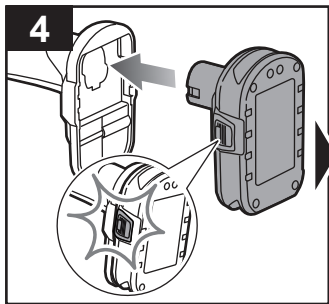
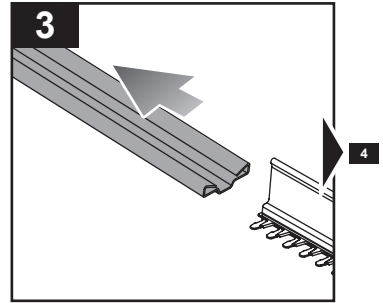
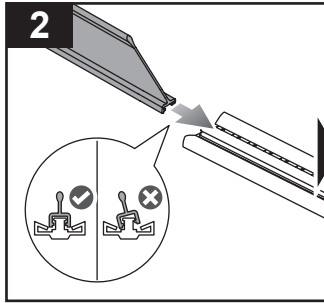
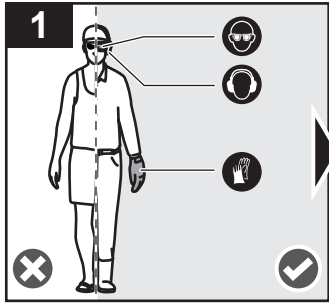
RX18HT45A-0

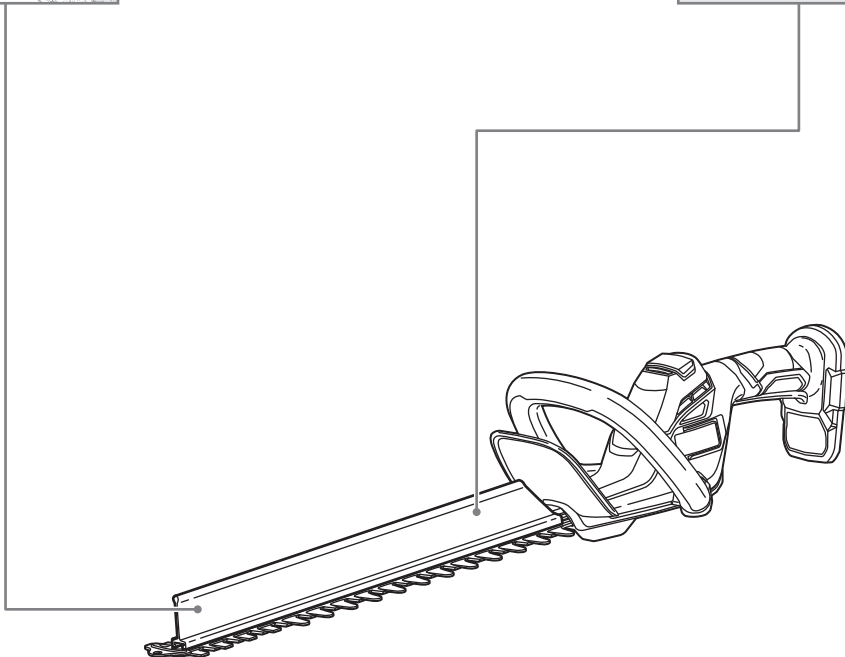
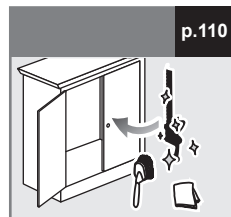
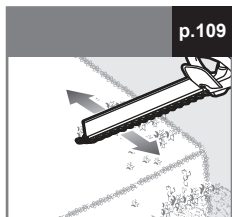
RX18HT50A-0

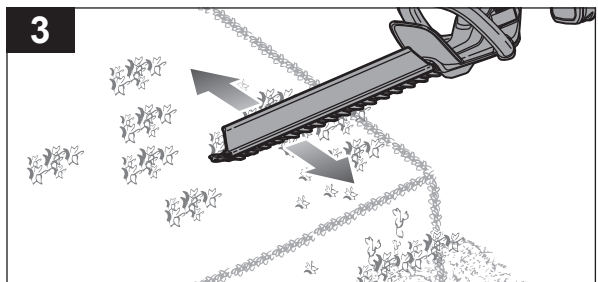
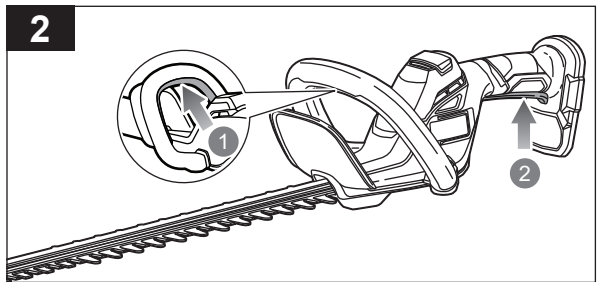
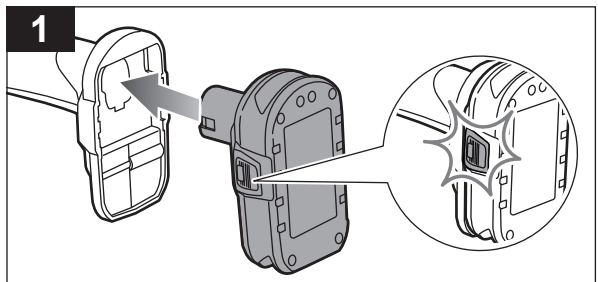
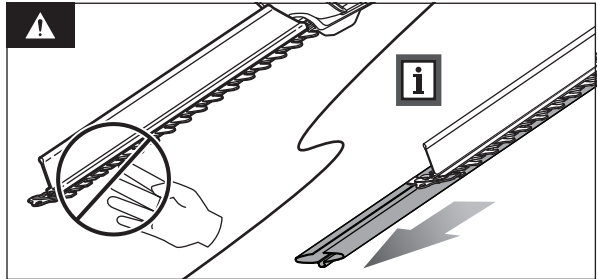
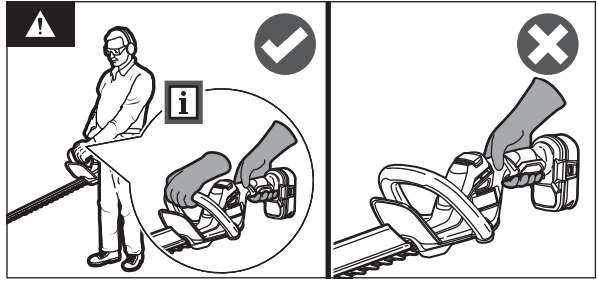
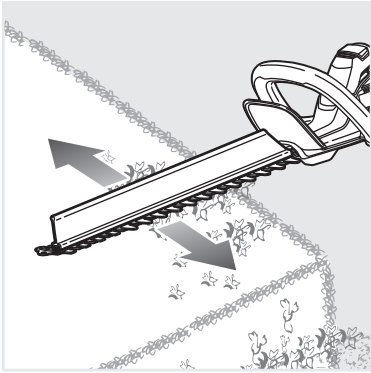


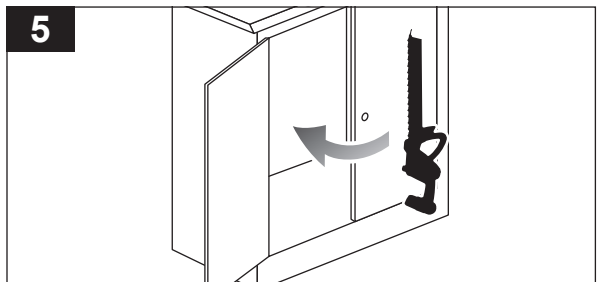
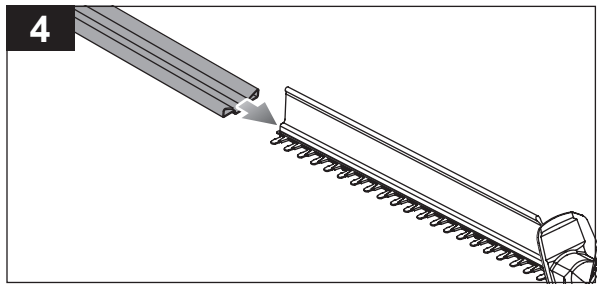
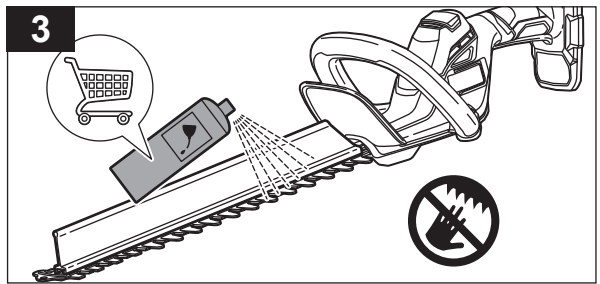
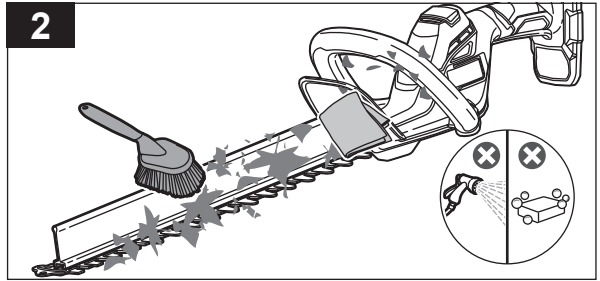
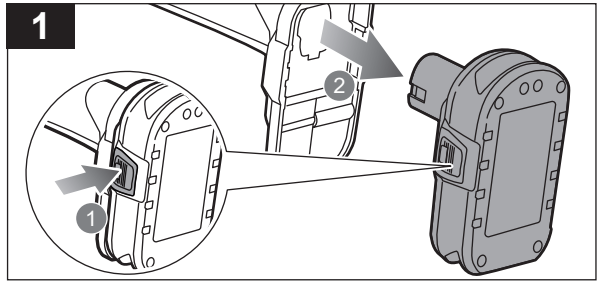
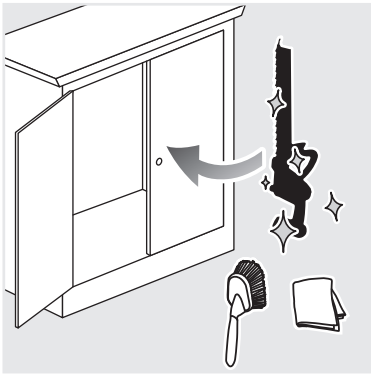
RX18HT45A-120P  
RX18HT45A-120  
RX18HT50A-120  
RX18HT50A-125















English	Français	Deutsch	Español	Italiano
<b>Product specifications</b>	<b>Caractéristiques produit</b>	<b>Produkt-Spezifikationen</b>	<b>Características del producto</b>	<b>Caratteristiche del prodotto</b>
Cordless hedge trimmer	Taille-haies Sans-fil	Akku-Heckenschere	Cortasetos inalámbrico	Decespugliatore senza cavo
Model	Modèle	Modell	Modelo	Modello
Rated voltage	Tension nominale	Nennspannung	Tensión nominal	Voltaggio nominale
No-load speed	Vitesse de rotation à vide	Leerlaufgeschwindigkeit	Velocidad sin carga	Velocità senza carico
Blade length	Longueur de la lame	Messertlänge	Longitud de la cuchilla	Lunghezza lama
Cutting capacity	Capacité de coupe	Schnittbreite Durchmesser	Capacidad de corte	Capacità di taglio
Vibration level (in accordance with EN 62841-1 and EN 62841-4-2)	Niveau de vibration (selon EN 62841-1; EN 62841-4-2)	Vibrationsgrad (gemäß EN 62841-1; EN 62841-4-2)	Nivel de vibración (de acuerdo con EN 62841-1; EN 62841-4-2)	Livello vibrazioni (in accordo con la direttiva EN 62841-1; EN 62841-4-2)
Vibration total value	Valeur totale des vibrations	Gesamtwert der Vibration	Valor total de vibración	Valore totale vibrazioni
Uncertainty of measurement	Incertitude de la mesure	Unsicherheit der Messung	Incertidumbre de medición	Incertezza delle misurazioni
Noise emission level (in accordance with EN 62841-1 and EN 62841-4-2)	Niveau d'émission sonore (selon EN 62841-1; EN 62841-4-2)	Schallenergiepegel (gemäß EN 62841-1; EN 62841-4-2)	Nivel de emisión de ruido (de acuerdo con EN 62841-1; EN 62841-4-2)	Livello di emissione rumore (in accordo con la direttiva EN 62841-1; EN 62841-4-2)
A-weighted sound pressure level	Niveau de pression sonore pondéré-A	A-bewerteter Schalldruckpegel	Nivel de presión acústica ponderada en A	Livello di pressione sonora pesato A
Uncertainty of measurement	Incertitude de la mesure	Unsicherheit der Messung	Incertidumbre de medición	Incertezza delle misurazioni
A-weighted sound power level	Niveau de puissance sonore pondéré A	A-bewerteter Schalleistungspegel	Nivel de potencia acústica ponderada en A	Livello di potenza sonora pesato A
Uncertainty of measurement	Incertitude de la mesure	Unsicherheit der Messung	Incertidumbre de medición	Incertezza delle misurazioni
Weight without battery pack	Poids sans la batterie	Gewicht ohne Akkupack	Peso (sin la batería)	Peso (senza batterie)
Maximum weight	Poids maximum	Maximales Gewicht	Peso máximo	Peso massimo

<b>Battery and charger</b>	<b>Batterie et chargeur</b>	<b>Akku und Ladegerät</b>	<b>Batería y cargador</b>	<b>Batteria e caricatore</b>
Model	Modèle	Modell	Modelo	Modello
Battery pack	Bloc de batterie	Akkupack	Batería	Batteria
Weight	Poids	Gewicht	Peso	Peso
Charger	Chargeur	Ladegerät	Cargador	Caricatore
Weight	Poids	Gewicht	Peso	Peso
Compatible battery pack	Blocs des batterie compatibles	Kompatible Akkus	Paquetes de batería compatibles	Gruppo batterie compatibili
Compatible charger	Chargeur compatible	Kompatibles Ladegerät	Cargador compatible	Caricatore compatibile

Model	Modèle	Modell	Modelo	Modello
Battery pack	Bloc de batterie	Akkupack	Batería	Batteria
Weight	Poids	Gewicht	Peso	Peso
Charger	Chargeur	Ladegerät	Cargador	Caricatore
Weight	Poids	Gewicht	Peso	Peso
Compatible battery pack	Blocs des batterie compatibles	Kompatible Akkus	Paquetes de batería compatibles	Gruppo batterie compatibili
Compatible charger	Chargeur compatible	Kompatibles Ladegerät	Cargador compatible	Caricatore compatibile





Nederlands	Português	Dansk	Svenska		
<b>Productgegevens</b>	<b>Características do aparelho</b>	<b>Produktspecifikationer</b>	<b>Produktspecifikationer</b>		
Snoerloze heggeschaar	Aparador de Pontas Sem Fios	Akku-hækkeklipper	Kabelfri häcksax		
Model	Modelo	Model	Modell	RY18HT45A	RY18HT50A
Toegekende spanning	Tensão nominal	Mærkespænding	Spänning	18 V d.c.	18 V d.c.
Snelheid zonder lading	Velocidade sem carga	Tomgangshastighed	Hastighed utan belastning	1350 rpm	1350 rpm
Snijbladlengte	Comprimento da lâmina	Knivlængde	Bladets längd	45 cm	50 cm
Snijcapaciteit	Capacidade de corte	Skærekapacitet	Trimningskapacitet	22 mm	24 mm
Trillingsniveau (in overeenstemming met EN 62841-1; EN 62841-4-2)	Nível de vibração (em conformidade com EN 62841-1; EN 62841-4-2)	Vibrationsniveau (iht. EN 62841-1; EN 62841-4-2)	Vibrationsnivå (enligt EN 62841-1; EN 62841-4-2)		
Totale waarde trilling	Valor total da vibração	Total vibrationsværdi	Totalvärde för vibration	$a_h = 2,9 \text{ m/s}^2$	$a_h = 2,3 \text{ m/s}^2$
Onzekerheid bij meting	Incerteza de medições	Målingsusikkerhed	Osäkerhet för mått	$K = 1,5 \text{ m/s}^2$	$K = 1,5 \text{ m/s}^2$
Geluidsemissieniveau (in overeenstemming met EN 62841-1; EN 62841-4-2)	Nível de emissão de ruído (em conformidade com EN 62841-1; EN 62841-4-2)	Støjemissionsniveau (iht. EN 62841-1; EN 62841-4-2)	Bullerutsläppsnivå (enligt EN 62841-1; EN 62841-4-2)		
A-gewogen geluidsdrukkniveau	Nível de pressão sonora ponderada A	A-vægtet lydtryksniveau	A-vägd ljudtrycksnivå	$L_{pA} = 82,4 \text{ dB(A)}$	$L_{pA} = 81,6 \text{ dB(A)}$
Onzekerheid bij meting	Incerteza de medições	Målingsusikkerhed	Osäkerhet för mått	$K = 3,0 \text{ dB}$	$K = 3,0 \text{ dB}$
A-gewogen geluidsniveau	Nível de potência sonora ponderada A	A-vægtet lydeffektniveau	A-vägd ljudeffektnivå	$L_{WA} = 90,4 \text{ dB(A)}$	$L_{WA} = 89,6 \text{ dB(A)}$
Onzekerheid bij meting	Incerteza de medições	Målingsusikkerhed	Osäkerhet för mått	$K = 2,8 \text{ dB}$	$K = 2,7 \text{ dB}$
Gewicht (zonder batterij)	Peso (sem a bateria)	Vægt (uden batteri)	Vikt (utan batteri)0	2,3 kg	2,4 kg
Maximum gewicht	Peso máximo	Maks. vægt	Maximal vikt	3,6 kg	3,6 kg

Accu en oplader	Bateria e carregador	Batteri og oplader	Batteri och batteriladdare		
Model	Modelo	Model	Modell	RY18HT45A-120	RY18HT45A-0 / RY18HT50A-0
Accu	Bateria	Batteri	Batteri	RB18L20	-
Gewicht	Peso	Vægt	Vikt	0,45 kg	-
Lader	Carregador	Oplader	Batteriladdare	RC18115	-
Gewicht	Peso	Vægt	Vikt	0,35 kg	-
Compatibele accupacks	Baterias Compatíveis	Kompatible batterier	Kompatibla batteripaket		RB18..
Compatibele oplader	Carregador compatível	Kompatibel oplader	Kompatibel laddare		RC18..

Model	Modelo	Model	Modell	RY18HT50A-120	RY18HT50A-125	RY18HT45A-120P
Accu	Bateria	Batteri	Batteri	RB18L20	RB18L25	RB1820C
Gewicht	Peso	Vægt	Vikt	0,45 kg	0,45 kg	0,45 kg
Lader	Carregador	Oplader	Batteriladdare	RC18115	RC18115	RC18115
Gewicht	Peso	Vægt	Vikt	0,35 kg	0,35 kg	0,35 kg
Compatibele accupacks	Baterias Compatíveis	Kompatible batterier	Kompatibla batteripaket			RB18..
Compatibele oplader	Carregador compatível	Kompatibel oplader	Kompatibel laddare			RC18..



Suomi	Norsk	Русский	Polski	Čeština
<b>Tuotteen tekniset tiedot</b>	<b>Produktspesifikasjoner</b>	<b>Характеристики изделия</b>	<b>Parametry techniczne</b>	<b>Technické údaje produktu</b>
Langaton pensastrimmeri	Hekksaks uten ledning	Беспроводные шпалерные ножницы	Bezprzewodowe nożyce do żywopłotów	Akumulátorové nůžky pro živý plot
Malli	Modell	Модель	Model	Model
Nimellisjännite	Nominell spenning	Номинальное напряжение	Napięcie znamionowe	Jmenovité napětí
Nopeus ilman kuormaa	Tomgangshastighet	Холостая скорость	Prędkość obrotowa bez obciążenia	Rychlost naprázdno
Terän pituus	Bladlengde	Длина режущего полотна	Długość ostrza	Délka žací lišty
Leikkauskapasiteetti	Klippekapasitet	Сокращение вместимости	Szerokość cięcia	Řezací kapacita
Tärinätao (standardin EN 62841-1; EN 62841-4-2 mukaisesti)	Vibrasjonsnivå (iht. EN 62841-1; EN 62841-4-2)	Уровень вибрации (в соответствии с EN 62841-1; EN 62841-4-2)	Poziom vibracji (zgodnie z normą EN 62841-1; EN 62841-4-2)	Úroveň vibrací (v souladu s EN 62841-1; EN 62841-4-2)
Tärinän kokonaisarvo	Vibrasjon totalverdi	Суммарное значение вибрации	Łączna wartość vibracji	Hodnota celkových vibrací
Mittausten epätarkkuus	Usikkerhet ved måling	Погрешность измерения	Niepewność pomiaru	Nejistota měření
Melutaso (standardin EN 62841-1; EN 62841-4-2 mukaisesti)	Støyutslippsnivå (iht. EN 62841-1; EN 62841-4-2)	Уровень шума (в соответствии с EN 62841-1; EN 62841-4-2)	Poziom emisji hałasu (zgodnie z normą EN 62841-1; EN 62841-4-2)	Hladina emise hluku (v souladu s EN 62841-1; EN 62841-4-2)
A-painotettu äänenpainetaso	A-vektet lydtryknivå	Уровень А-взвешенного звукового давления	A-ważyony poziom ciśnienia hałasu	Hladina akustického výkonu vážená funkcií A
Mittausten epätarkkuus	Usikkerhet ved måling	Погрешность измерения	Niepewność pomiaru	Nejistota měření
A-painotettu äänenteho	A-vektet lydeffektnivå	Уровень А-взвешенной звуковой мощности	A-ważyony poziom mocy akustycznej	Hladina akustického tlaku vážená funkcií A
Mittausten epätarkkuus	Usikkerhet ved måling	Погрешность измерения	Niepewność pomiaru	Nejistota měření
Paino (ilman akkuja)	Vekt (uten batteri)	Вес (без батарей)	Masa (bez akumulatora)	Hmotnost (bez baterie)
Enimmäispaino	Maksimum høyde	Максимальная масса	Ciężar maksymalny	Maximální hmotnost

Akku ja laturi	Batteri og lader	Аккумуляторная батарея и зарядное устройство	Akumulator i ładowarka	Nabíječka a baterie
Malli	Modell	Модель	Model	Model
Akku	Batteri	Аккумулятор	Akumulator	Baterie
Paino	Vekt	Вес	Ciężar	Hmotnost
Laturi	Lader	Зарядное устройство	Ładowarka	Nabíječka
Paino	Vekt	Вес	Ciężar	Hmotnost
Yhteensopivat akut	Kompatible batteripakker	Совместимая аккумуляторная батарея	Pasujące akumulatory	Kompatibilní akumulátory
Yhteensopiva laturi	Kompatibel lader	Совместимое зарядное устройство	Odpowiednia ładowarka	Kompatibilní nabíječka

Malli	Modell	Модель	Model	Model
Akku	Batteri	Аккумулятор	Akumulator	Baterie
Paino	Vekt	Вес	Ciężar	Hmotnost
Laturi	Lader	Зарядное устройство	Ładowarka	Nabíječka
Paino	Vekt	Вес	Ciężar	Hmotnost
Yhteensopivat akut	Kompatible batteripakker	Совместимая аккумуляторная батарея	Pasujące akumulatory	Kompatibilní akumulátory
Yhteensopiva laturi	Kompatibel lader	Совместимое зарядное устройство	Odpowiednia ładowarka	Kompatibilní nabíječka





Magyar	Română	Latviski	Lietuviškai		
<b>Termék műszaki adatai</b>	<b>Specificațiile produsului</b>	<b>Produkta specifikācijas</b>	<b>Gaminio techninės savybės</b>		
Akkumulátoros sövényvágó	Foarfece de grădină fără fir	Bezvadu dzīlvzogu trimmeris	Bevielė elektrinė gyvatvorės apkarpyimo mašinėlė		
Típus	Model	Modelis	Modelis	RY18HT45A	RY18HT50A
Névleges feszültség	Tensiunea nominală	Nominālais spriegums	Nominali įtampa	18 V d.c.	18 V d.c.
Üresjárati fordulatszám	Viteză fără sarcină	Greitis be apkrovimo	Greitis be apkrovimo	1350 rpm	1350 rpm
Kés hossza	Lungimea lamei	Asmeņu garums	Geležties ilgis	45 cm	50 cm
Vágási teljesítmény	Lungimea de tăiere	Griešanas dziļums	Pjovimo talpa	22 mm	24 mm
Vibrációs szint (az EN 62841-1; EN 62841-4-2 szerint)	Nivel de vibrație (în conformitate cu EN 62841-1; EN 62841-4-2)	Vibrācijas līmenis (saskaņā ar EN 62841-1; EN 62841-4-2)	Vibracijos lygis (pagal EN 62841-1; EN 62841-4-2 standart')		
Vibráció teljes értéke	Valoare totală vibrație	Vibrācijas kopējais apjoms	Bendra vibracijos vertė	$a_n = 2,9 \text{ m/s}^2$	$a_n = 2,3 \text{ m/s}^2$
Mérés bizonytalansága	Nesiguranța măsurătorii	Mērījuma nenoteiktība	Matavimo paklaida	$K = 1,5 \text{ m/s}^2$	$K = 1,5 \text{ m/s}^2$
Hangbocsátási szint (az EN 62841-1; EN 62841-4-2 szerint)	Nivel emisie zgomot (în conformitate cu EN 62841-1; EN 62841-4-2)	Trokšņu emisijas līmenis (saskaņā ar EN 62841-1; EN 62841-4-2)	Skleidiamo triukšmo lygis (pagal EN 62841-1; EN 62841-4-2 standartą)		
A-súlyozott hangnyomásszint	Nivel de presiune acustică ponderată A	A-līmeņa skaņas spiediena līmenis	A-svertinis garso galios lygis	$L_{pA} = 82,4 \text{ dB(A)}$	$L_{pA} = 81,6 \text{ dB(A)}$
Mérés bizonytalansága	Nesiguranța măsurătorii	Mērījuma nenoteiktība	Matavimo paklaida	$K = 3,0 \text{ dB}$	$K = 3,0 \text{ dB}$
A-súlyozott hangteljesítményszint	Nivel de putere acustică ponderată A	A-līmeņa skaņas jaudas līmenis	A-svertinis akustinis lygis	$L_{WA} = 90,4 \text{ dB(A)}$	$L_{WA} = 89,6 \text{ dB(A)}$
Mérés bizonytalansága	Nesiguranța măsurătorii	Mērījuma nenoteiktība	Matavimo paklaida	$K = 2,8 \text{ dB}$	$K = 2,7 \text{ dB}$
Tömeg (akkumulátor nélkül)	Greutate (fără acumulator)	Svars (bez baterijas)	Svoris (be akumulatorinės baterijos)	2,3 kg	2,4 kg
Maximális súly	Greutate maximă	Maksimālais svars	Maksimalus svoris (su diržu, a	3,6 kg	3,6 kg

Akkumulátor és töltő	Bateria și încărcătorul	Akumulators un lādētājs	Akumulatorius ir įkroviklis		
Típus	Model	Modelis	Modelis	RY18HT45A-120	RY18HT45A-0 / RY18HT50A-0
Akkumulátor	Acumulator	Akumulators	Baterija	RB18L20	-
Gépsúly	Greutate	Svars	Svoris	0,45 kg	-
Töltő	Încărcător	Lādētājs	Įkroviklis	RC18115	-
Gépsúly	Greutate	Svars	Svoris	0,35 kg	-
Kompatibilis akkumulátorok	Acumulatori compatibili	Savietojami akumulatoru komplekti	Suderinami baterijos paketai	RB18..	
Kompatibilis töltő	Încărcător compatibil	Saderīgs lādētājs	Tinkamas įkroviklis	RC18..	

Típus	Model	Modelis	Modelis	RY18HT50A-120	RY18HT50A-125	RY18HT45A-120P
Akkumulátor	Acumulator	Akumulators	Baterija	RB18L20	RB18L25	RB1820C
Gépsúly	Greutate	Svars	Svoris	0,45 kg	0,45 kg	0,45 kg
Töltő	Încărcător	Lādētājs	Įkroviklis	RC18115	RC18115	RC18115
Gépsúly	Greutate	Svars	Svoris	0,35 kg	0,35 kg	0,35 kg
Kompatibilis akkumulátorok	Acumulatori compatibili	Savietojami akumulatoru komplekti	Suderinami baterijos paketai	RB18..		
Kompatibilis töltő	Încărcător compatibil	Saderīgs lādētājs	Tinkamas įkroviklis	RC18..		



Eesti	Hrvatski	Slovensko	Slovenčina
<b>Toote tehnilised andmed</b>	<b>Spetsifikacije proizvoda</b>	<b>Spetsifikacije izdelka</b>	<b>Špecifikácie produktu</b>
Aku-hekitrimmer	AKU trimmer za ogradu	Brezžični obrezovalnik žive meje	Bezkáblový strihač živého plotu
Mudel	Model	Model	Modelis
Nimipinge	Nazivni napon	Nazivna napetost	Menovité napätie
Tühikäigukiri	Brzina bez opterećenja	Hitrost neobremenjenega motorja	Rýchlosť naprázdno
Lõiketera pikkus	Duljina noža	Dožina rezila	Dĺžka ostria
Lõikevõimsus	Duljina rezanja	Kapaciteta rezanja	Kapacita rezania
Vibratsioinitase (vastavalt standardile EN 62841-1; EN 62841-4-2)	Razina vibracija (u skladu s EN 62841-1; EN 62841-4-2)	Nivo vibracij (v skladu s standardom EN 62841-1; EN 62841-4-2)	Úroveň vibrácií (podľa normy EN 62841-1; EN 62841-4-2)
Vibratsiooni koguväärtus	Ukupna vrijednost vibracija	Skupna vrednost vibracij	Celková hodnota vibrácií
Mõõtmismääramatus	Neodređenost mjerenja	Negotovost meritve	Nespoľahlivosť meraní
Helivõimsuse tase (vastavalt standardile EN 62841-1; EN 62841-4-2)	Razina emisija buke (u skladu s EN 62841-1; EN 62841-4-2)	Raven emisij hrupa (v skladu s standardom EN 62841-1; EN 62841-4-2)	Úroveň emisií hluku (podľa normy EN 62841-1; EN 62841-4-2)
A-kaalutud helirõhu tase	Ponderirana razina tlaka zvuka	A-izmerjena raven zvočnega tlaka	Vážená A hladina akustického tlaku
Mõõtmismääramatus	Neodređenost mjerenja	Negotovost meritve	Nespoľahlivosť meraní
A-kaalutud helivõimsuse tase	Ponderirana razina zvučne snage	A-izmerjena raven zvočne moči	Vážená A hladina akustického výkonu
Mõõtmismääramatus	Neodređenost mjerenja	Negotovost meritve	Nespoľahlivosť meraní
Kaal (ilma akuta)	Težina (bez baterije)	Teža (brez baterije)	Hmotnosť (bez akumulátora)
Maksimaalne mass	Maksimalna težina	Največja teža	Maximálna hmotnosť

Aku ja laadija	Baterija i punjač	Baterija in polnilnik	Akumulátor a nabijačka
Mudel	Model	Model	Modelis
Aku paketiga	Baterija	Akumulator	Batéria
Kaal	Težina	Teža	Hmotnosť
Laadija	Punjač	Polniliec	Nabijačka
Kaal	Težina	Teža	Hmotnosť
Ühilduvad akupaketid	Kompatibilna pakiranja baterija	Združljive baterije	Kompatibilné jednotky akumulátorov
Ühilduv laadija	Kompatibilni punjači	Združljiv polniliec	Kompatibilná nabijačka

Mudel	Model	Model	Modelis
Aku paketiga	Baterija	Akumulator	Batéria
Kaal	Težina	Teža	Hmotnosť
Laadija	Punjač	Polniliec	Nabijačka
Kaal	Težina	Teža	Hmotnosť
Ühilduvad akupaketid	Kompatibilna pakiranja baterija	Združljive baterije	Kompatibilné jednotky akumulátorov
Ühilduv laadija	Kompatibilni punjači	Združljiv polniliec	Kompatibilná nabijačka

България	українська мова	Türkçe		
<b>Технически характеристики</b>	<b>Технічні характеристики пристрою</b>	<b>Ürün teknik özellikleri</b>		
Безжичен хросторез	Акумулаторні ножиці для живоплоту	Kablosuz çit budama makinesi		
Модел	Модель	Model	RY18HT45A	RY18HT50A
Номинален волтаж	Номинална напрега	Nominal voltaj	18 V d.c.	18 V d.c.
Скорост в ненатоварен режим	Швидкість без навантаження	Yüksüz hız	1350 rpm	1350 rpm
Дължина на острието	Довжина ножа	Bıçak Uzunluğu	45 cm	50 cm
Капацитет на рязане	Ріжуча здатність	Kesme Kapasitesi	22 mm	24 mm
Ниво на вибрациите (в съответствие с EN 62841-1; EN 62841-4-2)	Рівень вібрації (відповідно до EN 62841-1; EN 62841-4-2)	Titreşim seviyesi (EN 62841-1, EN 62841-4-2 uyarınca)		
Обща стойност на вибрациите	Загальне значення вібрації	Toplam titreşim değeri.	$a_h = 2,9 \text{ m/s}^2$	$a_h = 2,3 \text{ m/s}^2$
Несигурност на измерването	Невизначеність вимірювання	Ölçüm bilinmiyor	$K = 1,5 \text{ m/s}^2$	$K = 1,5 \text{ m/s}^2$
Ниво на шумовите емисии (в съответствие с EN 62841-1; EN 62841-4-2)	Рівень шуму (відповідно до EN 62841-1; EN 62841-4-2)	Gürültü emisyon seviyesi (EN 62841-1, EN 62841-4-2 uyarınca)		
Ниво на шумово налягане с равнище A	A-зважений рівень звукового тиску	A-ağırlıklı ses basınç seviyesi	$L_{pA} = 82,4 \text{ dB(A)}$	$L_{pA} = 81,6 \text{ dB(A)}$
Несигурност на измерването	Невизначеність вимірювання	Ölçüm bilinmiyor	$K = 3,0 \text{ dB}$	$K = 3,0 \text{ dB}$
Ниво на силата на шума с равнище A	A-зважений рівень звукової потужності	A ağırlıklı ses gücü seviyesi	$L_{WA} = 90,4 \text{ dB(A)}$	$L_{WA} = 89,6 \text{ dB(A)}$
Несигурност на измерването	Невизначеність вимірювання	Ölçüm bilinmiyor	$K = 2,8 \text{ dB}$	$K = 2,7 \text{ dB}$
Тегло (без батерията)	Вага (без акумулатора)	Ağırlık (batarya hariç)	2,3 kg	2,4 kg
Максимално тегло	Максимална вага	Azami ağırlık	3,6 kg	3,6 kg

Батерия и зарядно устройство	Акумулатор і зарядний пристрій	Pil ve şarj cihazı		
Модел	Модель	Model	RY18HT45A-120	RY18HT45A-0 / RY18HT50A-0
Батерия	Акумулаторна батерия	Pil	RB18L20	-
Тегло	Вага	Ağırlık	0,45 kg	-
Зарядно устройство	Зарядний пристрій	Şarj cihazı	RC18115	-
Тегло	Вага	Ağırlık	0,35 kg	-
Съвместими батерии	Сумісні акумулаторні блоки	Uyumlu pil takımları	RB18..	
Съвместимо зарядно устройство	Сумісний зарядний пристрій	Uyumlu şarj cihazı	RC18..	

Модел	Модель	Model	RY18HT50A-120	RY18HT50A-125	RY18HT45A-120P
Батерия	Акумулаторна батерия	Pil	RB18L20	RB18L25	RB1820C
Тегло	Вага	Ağırlık	0,45 kg	0,45 kg	0,45 kg
Зарядно устройство	Зарядний пристрій	Şarj cihazı	RC18115	RC18115	RC18115
Тегло	Вага	Ağırlık	0,35 kg	0,35 kg	0,35 kg
Съвместими батерии	Сумісні акумулаторні блоки	Uyumlu pil takımları	RB18..		
Съвместимо зарядно устройство	Сумісний зарядний пристрій	Uyumlu şarj cihazı	RC18..		

## EN ⚠ WARNING

The declared vibration total values and the declared noise emission values given in this instruction manual have been measured in accordance with a standardised test and may be used to compare one tool with another. They may be used for a preliminary assessment of exposure.

The declared vibration and noise emission values represent the main applications of the tool. However, if the tool is used for different applications, used with different accessories, or poorly maintained, the vibration and noise emission may differ. These conditions may significantly increase the exposure levels over the total working period. An estimation of the level of exposure to vibration and noise should take into account the times when the tool is turned off or when it is running idle. These conditions may significantly reduce the exposure level over the total working period.

Identify additional safety measures to protect the operator from the effects of vibration and noise, such as maintaining the tool and the accessories, keeping the hands warm (in case of vibration), and organising work patterns.

## FR ⚠ AVERTISSEMENT

Le niveau total de vibrations et le niveau total d'émissions sonores déclarés indiqués dans ce manuel d'instruction ont été mesurés selon une méthode de test normalisée et peut servir de référence pour comparer les outils entre eux. Ils peuvent servir d'évaluation préliminaire à l'exposition.

Les niveaux d'émissions sonores et de vibrations déclarés représentent les principales applications de l'outil. Toutefois, si l'outil est utilisé pour des applications différentes ou des accessoires différents, ou s'il est mal entretenu, les vibrations émises peuvent varier. Ces facteurs pourraient augmenter considérablement les niveaux d'exposition sur la durée totale d'utilisation. Une estimation du niveau d'exposition aux vibrations et du bruit doit aussi prendre en compte les périodes durant lesquelles l'outil est éteint ou lorsqu'il fonctionne à vide. Ces facteurs pourraient réduire considérablement le niveau d'exposition sur la durée totale d'utilisation.

Identifiez toute mesure de sécurité supplémentaire à observer pour protéger l'opérateur des effets des vibrations et du bruit, comme l'entretien de l'outil et des accessoires, le maintien au chaud des mains (en cas de vibrations), et l'élaboration de schémas de pulvérisation.

## DE ⚠ WARNUNG

Die in dieser Anleitung deklarierten Gesamtwerte der Schwingungsemission und die deklarierten Werte der Geräuschemission wurden gemäß einer standardisierten Testmethode gemessen und können verwendet werden, um Werkzeuge miteinander zu vergleichen. Sie können für eine vorläufige Beurteilung der Belastung verwendet werden.

Die deklarierten Werte für Schwingungs- und Geräuschemission treffen auf die Hauptanwendung des Werkzeugs zu. Wenn jedoch das Werkzeug für verschiedene Anwendungen oder mit unterschiedlichem Zubehör genutzt wird oder schlecht gewartet ist, kann die Schwingungs- und Geräuschemission variieren. Diese Bedingungen können das Belastungsniveau über die gesamte Arbeitszeit deutlich steigern. Eine Schätzung der Schwingungsbelastung sollte auch die Zeiten berücksichtigen, in denen das Werkzeug ausgeschaltet ist oder im Leerlauf läuft. Diese Bedingungen können das Belastungsniveau über die gesamte Arbeitszeit deutlich reduzieren.

Legen Sie zusätzliche Sicherheitsmaßnahmen fest, um den Bediener vor den Auswirkungen von Schwingung und Geräuschen zu schützen, z. B. Warten des Geräts und der Zubehörteile, Warmhalten der Hände (bei Schwingung) und Organisieren der Tätigkeit.

## ES ⚠ ADVERTENCIA

Los valores totales de emisión de vibración declarados y los valores de emisiones de ruido declarados que se indican en este manual de instrucciones se han calculado según lo establecido en una prueba estandarizada y se pueden utilizar para comparar una herramienta con otra. Se pueden utilizar para una evaluación preliminar de exposición.

Los valores declarados de emisión de vibración y ruido representan las aplicaciones principales de la herramienta. No obstante, si la herramienta se utiliza para diferentes aplicaciones, con distintos accesorios o con un mantenimiento deficiente, la emisión de vibración y ruido podría diferir. Estas condiciones podrían aumentar significativamente los niveles de exposición sobre el periodo de funcionamiento total. Una estimación del nivel de exposición a la vibración y el ruido debería también tenerse en cuenta la herramienta está apagada o cuando funciona a baja intensidad. Estas condiciones podrían reducir significativamente el nivel de exposición sobre el periodo de funcionamiento total.

Identifique cualquier medida de protección adicional para proteger al operario de los efectos de la vibración y el ruido, como el mantenimiento de la herramienta y los accesorios, mantener las manos calientes (en caso de vibración) y la organización de los patrones de trabajo.

## IT ⚠ AVVERTENZE

Il livello di emissioni di vibrazioni riportato in questa scheda informativa è stato misurato con un metodo di prova standardizzato ed è utilizzabile per confrontare gli utensili fra di loro. Questi possono essere usati per una valutazione preliminare dell'esposizione.

I valori di emissione di rumori e vibrazioni rappresentano le principali applicazioni dello strumento. Tuttavia, se l'utensile viene utilizzato in applicazioni differenti, con differenti accessori o con scarsa manutenzione, l'emissione di vibrazioni e rumori può essere diversa. Queste condizioni possono significativamente aumentare il livello di esposizione nel periodo di lavoro totale. Una stima del livello di esposizione alle vibrazioni e ai rumori va presa in considerazione anche quando l'utensile viene spento oppure è in funzione a folle. Queste condizioni possono significativamente ridurre il livello di esposizione nel periodo di lavoro totale.

Identificare le misure di sicurezza aggiuntive per proteggere l'operatore dagli effetti di vibrazioni e rumori, come la manutenzione di strumento e accessori, mantenendo le mani calde (in caso di vibrazione) e le modalità di lavoro.

## NL ⚠ WAARSCHUWING

Het gespecificeerde totale trillingswaarden en geluidsemissiewaarden in deze instructiehandleiding zijn gemeten overeenkomstig een gestandaardiseerde test en kunnen worden gebruikt om gereedschappen met elkaar te vergelijken. Ze kunnen worden gebruikt voor een voorafgaande beoordeling van blootstelling.

De gespecificeerde trillings- en geluidsemissiewaarden vertegenwoordigen de belangrijkste toepassingen van het gereedschap. Als het gereedschap echter voor andere toepassingen of met andere accessoires wordt gebruikt of slecht wordt onderhouden, kunnen de trillings- en geluidsemissiewaarden afwijken. Deze omstandigheden kunnen het blootstellingsniveau over de gehele gebruiksperiode aanzienlijk verhogen. Een schatting van het niveau van blootstelling aan trillingen en geluid dient ook rekening te houden met de perioden dat het gereedschap is uitgeschakeld of is ingeschakeld maar niet wordt gebruikt. Deze omstandigheden kunnen de blootstellingsniveaus over de gehele gebruiksperiode aanzienlijk verhogen.

Stel aanvullende veiligheidsmaatregelen vast om de gebruiker te beschermen tegen de effecten van trillingen en geluid, zoals onderhoud van het gereedschap en de accessoires, het warm houden van de handen (in geval van trillingen) en het organiseren van werkpatronen.

## PT ⚠ AVISO

Os valores de vibração totais declarados e o nível de emissão de ruído dado nesta ficha de informações foi medido de acordo com um teste normalizado e pode ser utilizado para fazer comparações entre ferramentas. Podem ser utilizados para uma avaliação preliminar da exposição.

O nível declarado de emissão de vibrações e ruído representa as aplicações principais da ferramenta. Contudo, se a ferramenta for utilizada para várias aplicações, com diferentes acessórios ou se receber manutenção insuficiente, a emissão de vibrações e ruído pode ser diferente. Estas condições podem aumentar significativamente o nível de exposição ao longo do período total de trabalho. Uma estimativa do nível de exposição às vibrações e ruído deverá também levar em conta os tempos que a ferramenta está desligada ou que está a funcionar mas sem estar a ser utilizada para trabalho. Estas condições podem reduzir significativamente o nível de exposição ao longo do período total de trabalho.

Identifique medidas de segurança adicionais para proteger o operador dos efeitos da vibração e ruído, tal como a manutenção da ferramenta e dos acessórios, manter as mãos quentes (em caso de vibração) e organizar padrões de trabalho.

## DA ⚠ ADVARSEL

Vibrations- og støjemissionsværdierne, der er angivet i denne vejledning er målt i overensstemmelse med en standardiseret test og kan bruges til at sammenligne et værktøj med et andet. De kan bruges til en foreløbig vurdering af udsættelse.

De angivne vibrations- og støjemissionsværdier repræsenterer værktøjets hovedanvendelser. Hvis værktøjet imidlertid anvendes til andre former for forskelligt tilbehør eller er dårligt vedligeholdt, kan vibrations- og lydmissionen afvige. Disse forhold kan i væsentlig grad forøge udsættelsesniveauerne over den samlede arbejdsperiode. Et overslag over udsættelsesniveauet for vibrationer og støj bør også tage højde for de gange, hvor værktøjet er slukket, eller når det kører i tomgang. Disse forhold kan i betragteligt omfang reducere udsættelsesniveauet over den samlede arbejdsperiode.

Find yderligere sikkerhedsforanstaltninger, der kan beskytte operatøren mod virkningerne af vibrationer og støj, såsom vedligeholdelse af værktøjet og tilbehøret, holde hænderne varme (i tilfælde af vibrationer) og organisering af arbejdsmonter.



## **(SV)** ⚠️ **VARNING**

De angivna totala vibrations- och bulleremissionsvärdena som anges i denna instruktionsmanual har uppmätts i enlighet med ett standardiserat test och kan användas för att jämföra olika verktyg. De kan användas för en preliminär bedömning av exponering.

De angivna vibrations- och bulleremissionsvärdena representerar verktygets huvudsakliga användningsområden. Om verktyget emellertid används i andra tillämpningar, med andra tillbehör eller underhålls bristfälligt, kan vibrationer och bulleremission skilja sig från de angivna. Dessa förhållanden kan öka exponeringsnivåerna under den totala arbetsperioden avsevärt. En uppskattning av exponeringsnivån för vibrationer och buller bör även ta med i beräkningen de tider då verktyget är avstängt eller när det är igång men inte används i arbete. Dessa förhållanden kan minska exponeringsnivån under den totala arbetsperioden avsevärt.

Identifera ytterligare säkerhetsåtgärder för att skydda operatören från effekterna av vibrationer och buller, såsom att underhålla verktyget och tillbehören, hålla händerna varma (i händelse av vibrationer) och organisera arbetsmönster.

## **(FI)** ⚠️ **VAROITUS**

Tässä ohjekäsikirjassa tärinälle annetut kokonaisarvot ja ilmoitetut melupäästöarvot on mitattu standardoidun kokeen mukaisesti, ja niitä voidaan käyttää työkalujen vertaamiseen toisiinsa. Niitä voidaan käyttää altistumisen alustavaan arvioimiseen.

Ilmoitetut tärinä- ja melupäästöarvot koskevat työkalun pääkäyttötarkoituksia. Tärinäpäästö voi kuitenkin vaihdella, jos työkalua käytetään eri käyttötarkoituksiin, eri tarvikkeilla tai huonosti huollettuna. Mainitut olosuhteet saattavat nostaa altistumistasoa huomattavasti kokonaisytäjäkson aikana. Tärinän ja melun altistumistason arviointi tulisi ottaa huomioon myös silloin, kun työkalu on kytketty pois päältä tai kun se on käynnissä, mutta sitä ei varsinaisesti käytetä. Mainitut olosuhteet saattavat vähentää huomattavasti altistumistasoa kokonaisytäjäkson aikana.

Lisäturvatoimenpiteillä, kuten työkalun ja lisävarusteiden huoltamisella, käsien lämpimänä pitämisellä (tärinän tapauksessa) ja työmallien järjestämisellä, voit suojella käyttäjä tärinältä ja melulta.

## **(NO)** ⚠️ **ADVARSEL**

De erklærte totale vibrasjonsverdiene og de erklærte støytstøpsverdiene gitt i denne brukerhåndboken har blitt målt i samsvar med en standardisert test og kan brukes til å sammenligne ett verkøy med ett annet. De kan brukes for en preliminær vurdering av eksponering.

De opplyste vibrasjons- og støytstøpsverdiene representerer verkøytets hovedbruksområder. Men hvis verkøyet brukes til ulike bruksområder, brukes med ulike tilbehør eller vedlikeholdet er dårlig, kan vibrasjons- og støytstøp være forskjellig. Disse forholdene kan øke eksponeringsnivået betraktelig i løpet av hele arbeidsperioden. En vurdering av eksponeringsnivået for vibrasjon og støy skal ta hensyn til de gangene verkøyet er slått av eller går på tomgang. Disse forholdene kan betydelig redusere eksponeringsnivået over den totale arbeidsperioden.

Identifiser ytterligere sikkerhetstiltak for å beskytte operatøren mot virkningene av vibrasjon og støy, slik som å vedlikeholde verkøyet og tilbehøret, holde hendene varme (i tilfelle vibrasjon) eller organisere arbeidsmønster.

## **(RU)** ⚠️ **ОСТОРОЖНО!**

Заявленные данные о совокупном уровне вибрационного и шумового воздействия, указанные в настоящем руководстве, получены в ходе стандартизированных исследований и могут использоваться для сравнения инструментов. Могут применяться в рамках предварительной оценки степени воздействия.

Заявленный уровень вибрационного и шумового воздействия учитывает основные области применения инструмента. При этом, если инструмент используется иным образом, с другим оборудованием либо некачественно обслуживается, степень вибрационного и шумового воздействия может отличаться. В рамках всего периода эксплуатации эти условия могут способствовать значительному повышению уровня воздействия. Расчет уровня вибрационного и шумового воздействия должен также проводиться с учетом количества выключений инструмента и продолжительности работы на холостом ходу. В рамках всего периода эксплуатации эти условия могут способствовать значительному снижению уровня воздействия.

Обеспечьте дополнительные меры защиты оператора от воздействия вибрации и шума, например, техническое обслуживание инструмента и принадлежностей, поддержания температуры рук (в случае вибрации) и организации графика работ.

## **(PL)** ⚠️ **OSTRZEŻENIE**

Podany w niniejszej instrukcji łączny poziom emisji wibracji zmierzony zgodnie ze znormalizowaną metodą testowania — może on być wykorzystywany do wzajemnego porównywania narzędzi. Można go wykorzystywać do wstępnej oceny narażenia.

Deklarowany poziom emisji wibracji i hałasu odpowiada głównym zastosowaniom narzędzia. Jeżeli jednak narzędzie będzie używane do innych zastosowań lub z innymi akcesoriami, bądź też jeśli będzie niewłaściwie konserwowane, poziom emisji wibracji i hałasu może się różnić. Warunki takie mogą doprowadzić do znaczącego wzrostu poziomu narażenia w całym okresie eksploatacji. Oszacowanie poziomu narażenia na wibracje i hałas powinno również uwzględniać okresy, w których narzędzie jest wyłączone bądź działa, ale nie jest wykorzystywane do pracy. Warunki takie mogą doprowadzić do znaczącego ograniczenia poziomu narażenia w całym okresie eksploatacji.

Należy zidentyfikować dodatkowe środki bezpieczeństwa mające na celu ochronę operatora przed skutkami wibracji i hałasu, takie jak konserwacja narzędzia i akcesoriów, utrzymywanie ciepła dłoni (w przypadku wibracji) oraz organizacja pracy.

## **(CS)** ⚠️ **VAROVÁNÍ**

Deklarované celkové hodnoty vibrací a deklarované hodnoty hlučnosti uvedené v tomto návodu byly změněny standardizovanou zkoušební metodou a mohou být použity k porovnání jednoho mlohače s druhým. Mohou být použity k předběžnému posouzení vystavení vibračním a hluku.

Deklarované hodnoty vibrací a hlučnosti jsou vymezeny hlavními způsoby použití tohoto mlohače. Pokud je však mlohač používán jiným způsobem, s jiným příslušenstvím nebo při nedostatečné údržbě, úroveň vibrací a hluku se mohou lišit. Tyto podmínky mohou podstatně zvýšit úroveň vystavení vibračním a hluku za celou pracovní dobu. Při odhadu úrovně vystavení vibračním a hluku je nutné vzít v úvahu také dobu, kdy je mlohač vypnutý nebo běží nepříznově. Tyto podmínky mohou podstatně snížit úroveň vystavení vibračním a hluku za celou pracovní dobu.

K ochraně obsluhy před účinky vibrací a hluku určete další bezpečnostní opatření, například provádění údržby mlohače a příslušenství, udržování rukou v teple (v případě vibrací) a organizování pracovních cyklů.

## **(HU)** ⚠️ **FIGYELMEZTETÉS**

A jelen használati kézikönyvben közölt rezgés- és zajkibocsátási értékeket szabványosított vizsgálat segítségével mértük, amelynek segítségével az eszközök egymással összehasonlíthatók. Ezek alkalmazhatóak a kitettség előzetes felmérésére is.

A megadott rezgés-kibocsátási és zajkibocsátási szint az eszköz fő alkalmazásait jelöli. Azonban ha az eszközt nem megfelelően tartják karban, különböző alkalmazásokra vagy eltérő tartozékokkal használják, akkor a rezgés- és zajkibocsátás változhat. Ezek a beavatkozások jelentősen növelhetik a kitettség szintet a teljes működési időtartam során. A rezgésnek és zajnak való kitettség szint becslést értékét akkor is figyelembe kell venni, amikor az eszköz ki van kapcsolva, vagy amikor csak tényleg jár. Ezek jelentősen csökkenthetik a kitettség szintet a teljes működési időtartam során.

A kezelő rezgés- és zajártalom elleni védelméhez tegyen meg további biztonsági intézkedéseket, mint pl. az eszköz és alkatrészei karbantartása, a kézi melegen tartása (rezgés esetén) és a munkavégzési folyamat megszervezése.

## **(RO)** ⚠️ **AVERTISMENT**

Nivelul total al vibrațiilor și valorile emisiilor de zgomot declarate în acest manual cu instrucțiuni au fost măsurate în conformitate cu o metodă de testare standardizată și pot fi utile pentru compararea uneltelor între ele. Acestea pot fi utilizate pentru evaluarea preliminară a expunerii.

Valorile emisiilor de vibrație și de zgomot declarate sunt relevante pentru domeniul de utilizare al acestor unelte. Totuși, dacă uneltele este utilizată în alte scopuri, cu alte accesorii sau este întreținută necorespunzător, nivelul vibrațiilor și al zgomotului poate fi diferit. În acest caz, nivelul de expunere total, pe parcursul întregii perioade de lucru, poate crește. O estimare a nivelului de expunere la vibrații și zgomot trebuie să țină cont și de numărul de porniri-oprirea, precum și de perioada în care uneltele este oprită sau funcționează în gol. În acest caz, nivelul de expunere total, pe parcursul întregii perioade de lucru, poate fi mai mic.

Identificați măsuri de protecție suplimentare pentru protecția operatorului contra efectelor vibrațiilor și zgomotului, precum întreținerea uneltelor și a accesoriilor, menținerea mâinilor calde (în caz de vibrație) și organizarea de perioade de lucru.





## **LV** **BRĪDINĀJUMS**

Deklarētie kopējie vibrāciju līmeņi un deklarētie trokšņu izstarošanas līmeņi, kas norādīti šajā instrukcijā ir mērīti saskaņā ar standartizētajiem testiem, un var tikt izmantoti viena instrumenta salīdzināšanai ar citu. Tos var izmantot sākotnējai ietekmes novērtēšanai.

Deklarētās vibrāciju un trokšņu veidošanās vērtības atspoguļo galvenajam instrumentam pielietojumam. Tomēr, ja instrumenti tiek izmantoti citam pielietojumam, izmantoti ar citiem aksesuāriem, vai netiek pienācīgi kopoti, vibrāciju un trokšņu līmeņis var atšķirties. Šie apstākļi var būtiski palielināt ietekmes līmeņi visā darba laikā. Vibrāciju un trokšņu iedarbības līmeņa noteikšanai jāņem vērā arī laika posmi, kad instrumenti ir izslēgti, vai arī darbojas tukšgaitā. Šie apstākļi var būtiski samazināt ietekmes līmeņi visā darba laikā.

Nosakiet papildu drošības pasākumus, lai aizsargātu lietotāju no vibrācijas un trokšņu ietekmes, piemēram, veicot instrumenta un aprīkojuma apkopes, roku uzturēšana siltumā (vibrāciju gadījumā), vai organizējot darba grafiku.

## **LT** **ĮSPĖJIMAS**

Šīse naudojimo instrukcija nurodotos keiliamos vibracijos vertės nustatytos atsižvelgiant į standartinį bandymo metodą, todėl jas galima palyginti su kitų elektrinių įrankių keilama vibracija. Jos taip pat gali būti naudojamos preliminariam vibracijos poveikiui įvertinti.

Deklaruojamos vibracijos ir skleidžiamo triukšmo vertės atspindi pagrindinius įrenginio taikymo būdus. Tačiau, jei šiuo įrenginiu atliekami kiti darbai, naudojant kitus priedus arba prastai prižiūrinamus priedus, keiliamos vibracijos ir triukšmo vertės gali skirtis. Šiomis sąlygomis gali žymiai padidėti vibracijos poveikio lygiai per visą darbo laiką. Vertinant vibracijos ir triukšmo poveikio lygį per tam tikrą darbo laikotarpį, reikia atsižvelgti ne tik į laiką, kai įrenginys veikia, bet ir į tą laiką, kai įrenginys yra išjungtas, ir į laiką, kai jis veikia tuščiajia eiga be apkrovos. Šiomis sąlygomis gali žymiai sumažėti vibracijos poveikio lygis per visą darbo laiką.

Nustatykite papildomas saugos priemones, skirtas operatoriumi apsaugoti nuo vibracijos ir triukšmo poveikio, pvz., techniški prižiūrėti įrenginį ir priedus, laikykite rankas šiltai (vibracijos atveju) ir organizuokite darbo pamainas.

## **ET** **HOIATUS**

Käesolevas juhendis toodud vibratsioonitase ja deklareeritud müraemissiooni väärtused on mõeldud standardmeetodi järgi ja seda saab kasutada tööriistade omavaheliseks võrdlemiseks. Neid võib kasutada ka emissiooni esialgseks hindamiseks.

Deklareeritud vibratsiooni ja müraemissiooni väärtused kehtivad tööriista peamistele rakendustele. Kui aga tööriista kasutatakse muudeks töödeks, rakendatakse teisi tarvikuid või kui tööriista hoidlus pole piisav, võib vibratsiooni ja müraemissiooni tase kõhkuda. Need tingimused võivad emissiooni tööperioodi jooksul tunduvalt suurendada. Vibratsiooni ja müraemissiooni täpseks hindamiseks tuleb arvesse võtta ka aega, mil seade on välja lülitatud või sisse lülitatud, kuid tegelikult tööle rakendamata. Need tingimused võivad emissiooni tööperioodi jooksul tunduvalt vähendada.

Tehke kindlaks täiendavad ohutusmeetmed kasutaja kaitsmiseks vibratsiooni ja müra mõju eest: näiteks tööriista ja lisaseadmete hooldamine, käte soojas hoidmine (vibratsiooni korral) ja töökorraldus.

## **HR** **UPOZORENJE**

Deklarirane ukupne vrijednosti vibracija i deklarirane emisije buke navedene u ovom priručniku s uputama izmjereno su u skladu sa standardiziranim ispitnom metodom i mogu se koristiti za usporedbu jednog alata s drugim. Moguće ih je upotrijebiti za preliminarnu procjenu izlaganja.

Deklarirane vrijednosti razine emisije vibracija i buke predstavljaju glavne primjene alata. Međutim, ako se alat koristi za druge primjene, koristi s različitim dodacima ili ako se loše održava, emisija vibracija i buke se može razlikovati od navedene vrijednosti. Ti uvjeti mogu uzrokovati značajno povećanje razine izloženosti u ukupnom vremenu rada alatom. Procjena razine izloženosti vibracijama i buci također bi trebala uzeti u obzir i vrijeme u kojem je alat isključen ili radi u praznom hodu. Ti uvjeti mogu uzrokovati značajno smanjenje razine izloženosti u ukupnom vremenu rada alatom.

Utvrdite dodatne sigurnosne mjere za zaštitu rukovatelja od djelovanja vibracija i buke, kao što su održavanje alata i pribora, održavanje topline ruku (u slučaju vibracija) i organiziranje radnog vremena.

## **SL** **OPOZORILO**

Skupni vrednosti emisij vibracij i emisij hrupa, navedeni v tem priručniku, sta bili izmerjeni v skladu z metodo standardiziranega preskusa in se lahko uporabljata za medsebojno primerjavo orodja. Uporabljajo se lahko za predhodno oceno stopnje izpostavljenosti.

Navedeni vrednosti emisij vibracij in hrupa veljata za glavne namene uporabe orodja. Vendar, če se orodje uporablja v druge namene, z drugačnimi dodatki ali je slabo vzdrževano, sta lahko ravni emisij vibracij in hrupa drugačni. V teh pogojih se lahko stopnja izpostavljenosti v celotnem delovnem obdobju občutno zviša. V ocelli stopnje izpostavljenosti vibracijam in hrupa je treba upoštevati tudi obdobja, v katerih je orodje ugasnjeno oziroma teče, vendar ni v dejanski uporabi. V teh pogojih se lahko stopnja izpostavljenosti v celotnem delovnem obdobju občutno zniža.

Ugotovite dodatne varnostne ukrepe za zaščito uporabnika pred učinki vibracij in hrupa, kot je vzdrževanje orodja in dodatkov, ohranjanje toplih rok (v primeru vibracij) in organizacija delovnih vzorcev.

## **SK** **VAROVANIE**

Deklarované celkové hodnoty vibráci i deklarované hodnoty emisii hluku uvedené v tomto návode používajú iné aplikácie, v spojení s iným príslušenstvom alebo je jeho údržba nepostačujúca, emisie vibráci a hluku sa môžu líšiť. Tieto podmienky značne zvyšujú úroveň expozície počas celkovej pracovnej doby. Odhad úrovne expozície účinkom vibráci a hluku musí taktiež zohľadniť časy vypnutia náradia alebo ak beží na voľnobeh. Tieto podmienky môžu značne znížiť úroveň expozície počas celkovej pracovnej doby.

Deklarované hodnoty vibráci a emisii hluku sú pre hlavné použitia náradia. No ak sa náradie používa na iné aplikácie, v spojení s iným príslušenstvom alebo je jeho údržba nepostačujúca, emisie vibráci a hluku sa môžu líšiť. Tieto podmienky značne zvyšujú úroveň expozície počas celkovej pracovnej doby. Odhad úrovne expozície účinkom vibráci a hluku musí taktiež zohľadniť časy vypnutia náradia alebo ak beží na voľnobeh. Tieto podmienky môžu značne znížiť úroveň expozície počas celkovej pracovnej doby.

Identifikujte ďalšie bezpečnostné opatrenia na ochranu obsluhy pred účinkami vibráci a hluku, ako je napríklad udržiavanie náradia a príslušenstva, udržiavanie teplých rúk (v prípade vibrácií) a organizácia pracovných postupov.

## **BG** **ВНИМАНИЕ**

Декларираните общи стойности на излъчените вибрации и на шумовите емисии, посочени в настоящото ръководство, са измерени в съответствие със стандартизиран тестов метод и може да се използват за сравнение на един инструмент с друг. Те може да се използват за предварително оценяване на въздействието.

Декларираните стойности на излъчените вибрации и на шумовите емисии представляват основните приложения на инструмента. Въпреки това, ако инструментът се използва за различни приложения, с различни принадлежности или поддръжката му е некачествена, излъчените вибрации и шумовите емисии могат да се различават. Тези условия може значително да увеличат нивото на излагане през целия срок на работа. При оценяване на нивото на излагане на вибрации и шум също трябва да се вземе предвид колко пъти инструментът е бил изключван или колко пъти е работил на празен ход. Тези условия може значително да намалат нивото на излагане през целия срок на работа.

Определете допълнителни мерки за предпазване на оператора от ефектите от вибрациите и шума, като например поддръжане на инструментa и аксесоарите, поддръжане на ръцете топли (в случай на вибрации), организация на моделите за работа.

## **UK** **ПОПЕРЕДЖЕННЯ**

Значення вібрації та шуму, наведені в цьому керівництві, вимірювалися відповідно до стандартизованого методу виробництва та можуть бути використані для порівняння одного інструменту з іншим. Ними можна користуватися для попередньої оцінки впливу.

Наведені значення виміряно при стандартній експлуатації виробу. Утім якщо виріб використовуватися для інших цілей, з іншими додатковими пристосуваннями або ж не проходити належного обслуговування, рівні вібрації та шуму можуть відрізнятися від зазначених. Як наслідок, рівні впливу вирободж загального робочого часу можуть значно збільшитися. При оцінці рівнів впливу вібрації та шуму слід враховувати періоди, коли виріб вимкнений або працює на холостих обертах. Як наслідок, рівні впливу вирободж загального робочого часу можуть значно зменшитися.

Дотримуйтеся додаткових заходів, які можуть захистити оператора від впливу вібрації та шуму: підтримуйте пристрій та додаткові пристосування у належному стані, слідуйте, щоби руки залишалися теплими (при вібрації), та продумайте графік роботи.

## **TR** **UYARI**

Bu kullanım kılavuzunda verilen toplam titreşim değerleri ve gürültü emisyonu değerleri standartlaştırılmış bir teste göre ölçülmüştür ve bir aleti diğeryle karşılaştırmak için kullanılabılır. Maruz kalınan önceden değerlendirilmesi için kullanılabılır.

Verilen edilen titreşim ve gürültü emisyonu değerleri aletin ana uygulamalarını temsil eder. Ancak, alet farklı uygulamalar için kullanılıyorsa, farklı aksesuarlarla kullanılıyorsa ve bakımı yapılmıyorsa, titreşim ve gürültü emisyonu değışiklik gösterebilir. Bu koşullar toplam çağışma süresi genelindeki maruz kalma düzeylerini önemli oranda artırabilir. Titreşim ve gürültüye maruz kalma seviyesinin tahmininde aletin kapatıldığı veya beşta çağıştığı süreler dikkate alınmalıdır. Bu koşullar toplam çağışma süresi boyunca maruz kalma seviyesini önemli oranda azaltabilir.

Kullanılan kişiyi titreşimin ve gürültünün etkilerinden korumak için aletin ve aksesuarların bakımını yapmak, (titreşim halinde) elleri sıcak tutmak ve çağışma modelleri organize etmek gibi ilave güvenliğin önlemlerini tanımlayın.





## EN RYOBI® WARRANTY APPLICATION CONDITIONS

In addition to any statutory rights resulting from the purchase, this product is covered by a warranty as stated below.

1. The warranty period is 24 months for consumers and commences on the date when the product was purchased. This date has to be documented by an invoice or other proof of purchase. The product is designed and dedicated to consumer and private use only. So there is no warranty provided in case of professional or commercial use. This warranty applies only on new products.
2. There is a possibility to extend for a part of the range of power tools (AC/DC) the warranty period over the period described above using the registration on the [www.ryobitools.eu](http://www.ryobitools.eu) website. The eligibility of products for extended warranty is clearly displayed in stores and / or on packaging and is contained within the product documentation. The end user is required to register his/her newly-acquired products online within 30 days from the date of purchase. The end user may register for the extended warranty in his/her country of residence if listed on the online registration form where this option is valid. Furthermore, end users must give their consent to the storage of their personal data that is required to be entered online. They must also accept the terms and conditions. The registration confirmation receipt, which is sent out by e-mail, and the original invoice showing the date of purchase will serve as proof of the extended warranty.
3. The warranty covers all defects of the product during the warranty period due to faults in workmanship or material at the purchase date. The warranty is limited to repair and/or replacement and does not include any other obligations including but not limited to incidental or consequential damages. The warranty is not valid if the product has been misused, used contrary to the instruction manual, or has been incorrectly connected to a power supply. This warranty does not apply to:
  - any damage to the product that is the result of improper or lack of maintenance
  - any product that has been altered or modified
  - any product where original identification (trade mark, serial number) markings have been defaced, altered or removed
  - any damage caused by non-observance of the instruction manual
  - any product not displaying the CE approval mark on the rating plate
  - any product that has been attempted to be repaired by a non-authorised warranty service centre or without prior authorisation by Techtronic Industries
  - any product connected to improper power supply (amps, voltage, frequency)
  - any product used with inappropriate fuel mixture (fuel, oil, ratio of oil/ fuel mixture)
  - any damage caused by external influences (water, chemical, physical, shocks) or foreign substances
  - normal wear and tear spare parts
  - inappropriate use, overloading of the tool
  - use of non-approved accessories or parts
  - Accessories provided with the tool or purchased separately including but not limited to blades, saw chains, cutting lines, etc.
  - Any periodic adjustments to or maintenance cleaning of carburetors
  - Components (parts and accessories) subject to natural wear and tear, including but not limited to bump knobs, drive belts, clutch, blades of hedge trimmers or lawn mowers, harness, cable throttle, carbon brushes, power cord, tines, felt washers, hitch pins, blower fans, blower and vacuum tubes, vacuum bag and straps, guide bars, saw chains, hoses, connector fittings, spray nozzles, wheels, spray wands, inner reels, outer spools, cutting lines, spark plugs, air filters, gas filters, mulching blades, etc.
4. For servicing, the product must be sent or presented to a RYOBI authorised service station listed for each country in the following list of service station addresses. In some countries your local RYOBI dealer undertakes to send the product to the RYOBI service organisation. When sending a product to a RYOBI service station, the product should be safely packed without any dangerous contents such as petrol, marked with sender's address and accompanied by a short description of the fault.
5. A repair / replacement under this warranty is free of charge. It does not constitute an extension or a new start of the warranty period. Exchanged parts or products become our property. In some countries delivery charges or postage will have to be paid by the sender. Your statutory rights arising from the purchase of the product remain unaffected.
6. This warranty is valid in the European Community, Switzerland, Iceland, Norway, Liechtenstein, Turkey, Russia, and the United Kingdom. Outside these areas, please contact your authorised RYOBI dealer to determine if another warranty applies.

### AUTHORISED SERVICE CENTRE

Any request or issue with the product can be addressed to your local authorised service centres (visit [www.ryobitools.eu](http://www.ryobitools.eu)) or directly to: Techtronic Industries GmbH, Max Eyth Straße 10, 71364 Winnenden, Germany. Please state the serial number and product type printed on the label.

## FR RYOBI® CONDITIONS D'APPLICATION DE LA GARANTIE

En plus des droits statutaires liés à l'achat, ce produit est couvert par une garantie telle que décrite ci-dessous.

1. La durée de la garantie accordée au consommateur est de 24 mois à partir de la date d'achat. Cette date doit être authentifiée par une facture ou tout autre preuve d'achat. Le produit a été conçu en vue d'une utilisation strictement privée. Aucune garantie ne s'applique donc en cas d'utilisation professionnelle ou commerciale.
2. Il existe pour une partie de la gamme « jardin » (AC/DC), une possibilité d'étendre la période de garantie au-delà de la période précédemment décrite en utilisant le formulaire d'enregistrement présent sur le site Internet [www.ryobitools.eu](http://www.ryobitools.eu). L'éligibilité d'un outil est clairement affichée dans les points de vente et/ou sur l'emballage et la documentation. L'utilisateur final doit enregistrer son/ses outil(s) nouvellement acheté(s) en ligne dans les 30 jours qui suivent la date d'achat. L'utilisateur a la possibilité de s'enregistrer pour l'extension de garantie dans son pays de résidence si celui-ci est listé dans le formulaire d'enregistrement en ligne où cette option est valide. L'utilisateur final doit donner son consentement pour l'enregistrement des données requises pour accéder au site et doit accepter les termes et conditions. La confirmation d'enregistrement, envoyée par courrier électronique, ainsi que la facture originale mentionnant la date d'achat serviront de preuve de l'extension de garantie.
3. La garantie couvre pendant la période de garantie les défauts des produits liés à la fabrication et aux matériaux à la date d'achat. La garantie est limitée à la réparation et/ou au remplacement et n'inclut aucune autre obligation, tel que, mais sans s'y limiter, les dommages accessoires ou indirects. La garantie est non valable en cas de mauvaise utilisation du produit, d'utilisation contraire aux instructions du mode d'emploi, ou en cas de branchement incorrect. Cette garantie ne s'applique pas pour :
  - tout dommage au produit résultant d'un mauvais entretien
  - tout produit ayant été altéré ou modifié
  - tout produit dont les marquages originaux d'identification (marque, numéro de série) ont été dégradés, altérés ou retirés
  - tout dommage causé par le non-respect des instructions du mode d'emploi
  - tout produit non CE
  - tout produit ayant subi une tentative de réparation par du personnel non qualifié ou sans autorisation préalable de Techtronic Industries
  - tout produit raccorder à une alimentation secteur non conforme (ampérage, voltage, fréquence)
  - tout produit utilisé avec un mélange inapproprié (essence, huile, pourcentage d'huile)
  - tout dommage causé par des influences extérieures (chimiques, physiques, chocs) ou par des substances étrangères
  - l'usure normale des pièces consommables
  - une utilisation inappropriée, une surcharge de l'outil
  - l'utilisation de pièces ou accessoires non agréés
  - Tout réglage périodique ou tout nettoyage de maintenance des carburateurs
  - les composants (pièces et accessoires) sujets à une usure naturelle, incluant de façon non exhaustive les têtes de fil à frapper, les courroies de transmission, les embrayages, les lames des taille-haies ou des tondeuses à gazon, les harnais, les câbles d'accélérateur, les charbons, les cordons d'alimentation, les fraises de cultivateurs, les rondelles feutre, les goupilles de fraise, les turbines et lame de broyage des souffleurs, les tubes de soufflage et d'aspiration des souffleurs, les sacs de souffleurs et leurs lanières, les guides-chaîne, les chaînes de tronçonneuses, les tuyaux et raccords, les buses et lances de nettoyeurs haute pression, les roues, les recharges de fil des têtes de coupe, les têtes de coupe, le fil de coupe, les bougies d'allumage, les filtres à air, les filtres à essence, etc.
4. Si le produit doit être réparé, envoyez-le à un service après-vente agréé RYOBI dont vous trouverez ci-dessous la liste pour chaque pays. Dans certains pays, votre revendeur RYOBI se chargera d'envoyer le produit à un centre de réparation RYOBI. Lorsque vous envoyez un produit à un service après-vente RYOBI, celui-ci doit être correctement emballé, sans contenir aucun produit dangereux tel que de l'essence, et vous devez indiquer votre adresse ainsi qu'une courte description du problème.
5. Une réparation / un remplacement sous garantie est gratuit(e). Ceci ne constituera pas une extension de garantie ni un nouveau départ de la période de garantie. Les pièces ou les outils remplacés deviennent notre propriété. Dans certains pays, les frais de port devront être assumés par l'expéditeur. Vos droits statutaires restent inchangés.
6. Cette garantie est valable dans la Communauté européenne, la Suisse, l'Islande, la Norvège, le Liechtenstein, la Turquie, la Russie et le Royaume-Uni. En dehors de ces zones, veuillez contacter votre distributeur agréé RYOBI pour déterminer si une autre garantie s'applique.

### SERVICE APRÈS-VENTE AGRÉÉ

Toute demande ou tout problème concernant le produit peut être transmis à votre centre de réparation agréé local (consultez [www.ryobitools.eu](http://www.ryobitools.eu)) ou directement à : Techtronic Industries GmbH, Max Eyth Straße 10, 71364 Winnenden, Germany. Veuillez mentionner le numéro de série et le type de produit imprimés sur l'étiquette.

## DE RYOBI® GARANTIEBEDINGUNGEN

Zusätzlich zu den gesetzlichen Rechten aus dem Kauf gilt für dieses Produkt die nachstehend aufgeführte Garantie.

- Der Garantiezeitraum beträgt für Verbraucher 24 Monate und beginnt mit dem Datum des Kaufs. Dieses Datum muss durch eine Rechnung oder einen anderen Kaufbeleg dokumentiert werden. Dieses Produkt wurde ausschließlich zur privaten Nutzung durch Verbraucher entwickelt. Für den Fall einer professionellen bzw. kommerziellen Nutzung besteht daher keine Garantie.
- Es besteht die Möglichkeit, für einen Teil des Sortiments der Gartenwerkzeuge (AC/DC) den Garantiezeitraum über den oben genannten Zeitraum hinaus zu verlängern, indem der Verbraucher die Registrierung auf der Website [www.ryobitools.eu](http://www.ryobitools.eu) durchführt. Die Berechtigung der Werkzeuge für die Garantieverlängerung ist deutlich im Geschäft und/oder auf der Verpackung beschrieben und in der Produktdokumentation erwähnt. Der Verbraucher muss das neu erworbene Gerät online innerhalb von 30 Tagen ab dem Kaufdatum registrieren. Der Verbraucher kann das Gerät zwecks Garantieverlängerung in seinem Wohnsitzland/Heimatland registrieren, wenn dieses Land auf dem Online-Registrierungsformular aufgeführt ist und die Option gültig ist. Darüber hinaus muss der Verbraucher seine Zustimmung zur Speicherung der Daten geben, die online eingegeben werden müssen, und er muss die allgemeinen Geschäftsbedingungen akzeptieren. Die Bestätigung der Registrierung, die per E-Mail versandt wird, und die Originalrechnung mit dem Kaufdatum gelten als Beleg für die Garantieverlängerung.
- Die Garantie deckt alle Defekte des Geräts während des Garantiezeitraums ab, die auf zum Zeitpunkt des Kaufs bestehende Verarbeitungs- oder Materialfehler zurückzuführen sind. Die Garantie beschränkt sich auf Reparatur und/oder Ersatz und beinhaltet keine anderen Verpflichtungen, insbesondere keinen Schadenersatz für Folge- oder Nebenschäden. Die Garantie gilt nicht, wenn das Gerät fehlerhaft eingesetzt wurde, gegenseitlich zur Bedienungsanleitung eingesetzt wurde oder falsch angeschlossen wurde. Die Garantie gilt nicht für Folgendes:
  - Schäden am Gerät, die auf unkorrekte Wartung zurückzuführen sind
  - Geräte, an denen Veränderungen vorgenommen wurden
  - Produkte, bei denen die ursprüngliche Identifizierung (Handelsmarke, Seriennummer) unleserlich gemacht, verändert oder entfernt wurde
  - Schäden durch Nichtbeachtung der Bedienungsanleitung
  - nicht-CE-zertifizierte Geräte
  - Geräte, an denen durch nicht-qualifizierte Personen oder ohne vorherige Genehmigung von Techtronic Industries Reparaturversuche vorgenommen wurden
  - Geräte, die an unkorrekte Energiequellen (Ampere, Volt, Frequenz) angeschlossen wurden
  - Geräte, die mit einer fehlerhaften Treibstoffmischung (Treibstoff, Öl, Ölanteil) betrieben wurden
  - Schäden durch äußere Einflüsse (chemisch, physisch, Stöße) oder Fremdstoffe
  - normaler Verschleiß von Ersatzteilen
  - unangemessene Nutzung, Überlastung des Geräts
  - Nutzung nicht genehmigter Zubehörteile oder Ersatzteile
  - Regelmäßige Einstellung oder Wartungsreinigung des Vergasers
  - Komponenten (Ersatzteile und Zubehörteile), die natürlichem Verschleiß unterliegen, einschließlich, aber nicht begrenzt auf Service- und Wartungssets, Kohlebürsten, Lager, Spannvorrichtungen, SDS-Bohreraufnahme /Bit-Adapter, Netzkabel, Zusatzhandgriff, Transportkoffer, Schleifplatten, Staubbeutel, Staubabführungen, Filzunterlegscheiben, Bolzen und Federn von Schlagschraubern, einschließlich, aber nicht beschränkt auf Fadenzöpfe, Antriebsriemen, Kupplungen, die Klängen von Heckenscheren oder Rasenmähern, Kabelstränge, Gaszüge, Zinken, Steckbolzen, Lüfter, Saug- und Gebläserohre oder Düsen, Fangsäcke und Gurte, Führungsschienen, Sägeketten, Schläuche, Verbinder, Sprühdüsen, Räder, Sprühstäbe, innere Rollen, äußere Spulen, Schneidfäden, Zündkerzen, Luftfilter, Benzin/- Ölfilter, Häcksel- Messer usw.
- Zum Service muss das Gerät zu einer von RYOBI autorisierten Servicestation gebracht oder dorthin geschickt werden. Die Servicestationen für die einzelnen Länder sind in der folgenden Liste aufgeführt. In einigen Ländern sendet Ihr RYOBI-Händler vor Ort das Gerät an das RYOBI-Serviceunternehmen. Beim Einsenden an die RYOBI-Servicestation sollte das Gerät sicher verpackt sein, ohne gefährliche Inhalte wie Benzin, und es sollte mit der Adresse des Absenders und einer kurzen Beschreibung des Fehlers versehen sein.
- Eine Reparatur bzw. ein Ersatz gemäß dieser Garantie ist kostenlos. Hieraus ergibt sich weder eine Garantieverlängerung noch der Beginn eines neuen Garantiezeitraums. Die ausgetauschten Ersatzteile oder Werkzeuge gehen in unser Eigentum über. In einigen Ländern müssen die Zustellgebühren oder die Versandkosten vom Absender gezahlt werden. Ihre gesetzlichen Rechte aus dem Kauf des Geräts bleiben hiervon unberührt.
- Diese Garantie ist gültig in der Europäischen Gemeinschaft, der Schweiz, Island, Norwegen, Liechtenstein, der Türkei, Russland und dem Vereinigten Königreich. Bitte wenden Sie sich außerhalb dieser Gebiete an Ihren autorisierten RYOBI-Händler, um festzustellen, ob eine andere Garantie gilt.

### AUTORISIERTER KUNDENDIENST

Bitte wenden Sie sich bei Fragen zum oder Problemen mit dem Gerät an das örtliche autorisierte Servicecenter (siehe [www.ryobitools.eu](http://www.ryobitools.eu)) oder direkt an: Techtronic Industries GmbH, Max Eyth Straße 10, 71364 Winnenden, Germany. Bitte geben Sie die Seriennummer und den auf dem Typenschild aufgedruckten Gerätetyp an.

## ES CONDICIONES DE APLICACIÓN DE LA GARANTÍA DE RYOBI®

Además de cualquier derecho legal derivado de la compra, este producto está cubierto por una garantía que se indica a continuación.

- El periodo de garantía es de 24 meses para consumidores y comienza en la fecha en que se comprara el producto. Dicha fecha debe documentarse con una factura u otro comprobante de compra. El producto está diseñado y concebido únicamente para el uso privado del consumidor. Por lo tanto, no se ofrece garantía en caso de uso profesional o comercial.
- Existe la posibilidad de ampliar el periodo de garantía respecto a una parte de la gama de herramientas de jardinería (CA/CC) durante el periodo descrito más arriba y mediante el registro en el sitio web [www.ryobitools.eu](http://www.ryobitools.eu). La elegibilidad de las herramientas para que se amplie el periodo de garantía se muestra claramente en las tiendas o en el embalaje y está incluida en la documentación del producto. El usuario final tiene que registrar en línea sus herramientas recientemente adquiridas en un plazo de 30 días a partir de la fecha de compra. El usuario final podrá registrarse para obtener la garantía ampliada en su país de residencia si este aparece en la lista del formulario de registro en línea cuando esta opción sea válida. Además, los usuarios finales deberán dar su consentimiento al almacenamiento de los datos necesarios para el acceso en línea y tienen que aceptar los términos y condiciones. El recibo de confirmación de registro, que se envía por correo electrónico, y la factura original que muestra la fecha de compra servirán como comprobante para la garantía ampliada.
- La garantía cubre todos los defectos del producto durante el periodo de garantía debido a fallos de mano de obra o material en la fecha de compra. La garantía se limita a la reparación o sustitución y no incluye ninguna otra obligación como, por ejemplo, daños accidentales o consecuentes. La garantía no es válida si se ha usado mal el producto, se ha usado contraviniendo el manual de instrucciones o se ha conectado de forma incorrecta. Esta garantía no es aplicable a:
  - ningún daño en el producto que sea consecuencia de un mantenimiento inadecuado
  - ningún producto que haya sido alterado o modificado
  - ningún producto en el que los marcados de identificación originales (marca comercial, número de serie) se hayan borrado, modificado o eliminado
  - ningún daño provocado por no seguir el manual de instrucciones
  - ningún producto que no sea CE
  - ningún producto que haya sufrido un intento de reparación por parte de un profesional no cualificado o sin la autorización previa de Techtronic Industries.
  - ningún producto conectado a un suministro eléctrico inadecuado (amperios, voltaje, frecuencia)
  - ningún producto usado con una mezcla de combustible inadecuada (combustible, aceite, porcentaje de aceite)
  - ningún daño causado por influencias externas (químicas, físicas, impactos) o sustancias extrañas
  - desgaste normal de piezas de repuesto
  - uso inadecuado, sobrecarga de la herramienta
  - uso de accesorios o piezas no aprobados
  - Cualquier ajuste periódico o limpieza de mantenimiento de los carburadores
  - Componentes (piezas y accesorios) sujetos al desgaste natural incluyendo, entre otros, pomos de golpes, correas de transmisión, embragues, cuchillas de cortasetos o cortacésped, arneses, cable del acelerador, escobillas de carbono, cables eléctricos, púas, discos de filtro, pasadores de enganche, ventiladores de soplador, tubos de aspiración y de soplado, bolsas y correas de aspiración, barras guías, cadenas de sierra, mangueras, herrajes de conectores, boquillas pulverizadoras, ruedas, lanzas pulverizadoras, bobinas interiores, carretes exteriores, líneas de corte, bujías, filtros de aire, filtros de gas, cuchillas de compostaje, etc.
- Para su mantenimiento, el producto debe enviarse o presentarse a una estación de servicio de RYOBI autorizada que figure en la siguiente lista de direcciones de estaciones de servicio por países. En algunos países, su distribuidor RYOBI local se responsabiliza de enviar el producto a la compañía de servicio de RYOBI. Cuando se envíe un producto a una estación de servicio de RYOBI, este debe estar empaquetado de forma segura sin contenidos peligrosos como gasolina, marcado con la dirección del remitente y acompañado de una breve descripción del fallo.
- Una reparación / sustitución con esta garantía es gratuita. No constituye una ampliación ni un nuevo comienzo del periodo de garantía. Las piezas o herramientas intercambiadas pasan a ser de nuestra propiedad. En algunos países, los gastos de envío o correo tendrá que pagarlos el remitente. Sus derechos legales derivados de esta compra de la herramienta no se verán afectados.
- Esta garantía es válida en la Comunidad Europea, Suiza, Islandia, Noruega, Liechtenstein, Turquía, Rusia y el Reino Unido. Fuera de estas zonas, póngase en contacto con su distribuidor de RYOBI autorizado para determinar si es aplicable otra garantía.

### SERVICIO TÉCNICO AUTORIZADO

Cualquier solicitud o problema relacionado con el producto se puede remitir a su centro de servicio autorizado local (visite [www.ryobitools.eu](http://www.ryobitools.eu)) o directamente a: Techtronic Industries GmbH, Max Eyth Straße 10, 71364 Winnenden, Germany. Indique el número de serie y el tipo de producto que aparecen impresos en la etiqueta.

## IT CONDIZIONI DI VALIDITÀ DELLA GARANZIA RYOBI®

In aggiunta ai diritti di legge risultanti dall'acquisto, il prodotto è coperto dalla garanzia sotto descritta.

1. Il periodo di garanzia è di 24 mesi per i consumatori, a decorrere dalla data di acquisto del prodotto. La data deve essere documentata da una fattura o altra prova d'acquisto. Il prodotto è progettato e destinato solo all'utilizzo privato dei consumatori. Pertanto non viene fornita alcuna garanzia in caso di uso professionale o commerciale.
2. Per una serie di utensili da giardino (CA/CC) è possibile prolungare il periodo di garanzia oltre quello descritto, registrandosi sul sito web [www.ryobitools.eu](http://www.ryobitools.eu). Gli utensili per i quali è possibile prolungare il periodo di garanzia sono chiaramente indicati nei negozi e/o sulle confezioni e nella documentazione dei prodotti. L'utente deve registrare online l'utensile acquistato entro 30 giorni dalla data di acquisto. L'utente può registrarsi per la garanzia prolungata nel proprio paese di residenza, se questo è elencato nel modulo di registrazione online dove questa opzione sia valida. Inoltre gli utenti devono fornire il proprio consenso alla conservazione dei dati da immettere online e devono accettare le condizioni generali. La conferma di registrazione, inviata tramite e-mail, e la fattura originale indicante la data di acquisto, costituiranno la prova della garanzia prolungata.
3. La garanzia copre tutti i difetti del prodotto durante il periodo di garanzia, risultati da manodopera o materiali alla data di acquisto. La garanzia è limitata alla riparazione e/o sostituzione e non include alcun altro obbligo quali, a mero titolo esemplificativo, i danni incidentali o consequenziali. La garanzia non è valida se il prodotto è stato usato scorrettamente, in modo contrario al manuale di istruzioni o se è stato collegato in modo errato. La garanzia non è valida per:
  - qualsiasi danno al prodotto dovuto a manutenzione errata;
  - qualsiasi prodotto che sia stato alterato o modificato;
  - qualsiasi prodotto le cui marcature di identificazione originali (marchi di fabbrica, numero di serie) siano state cancellate, alterate o rimosse;
  - qualsiasi danno causato dalla non osservanza delle istruzioni del manuale;
  - qualsiasi prodotto privo di omologazione CE;
  - qualsiasi prodotto che sia stato sottoposto a un tentativo di riparazione da parte di un professionista non qualificato oppure senza la propria autorizzazione di Techtronic Industries;
  - qualsiasi prodotto collegato a un'alimentazione errata (per amperage, tensione, frequenza);
  - qualsiasi prodotto usato con una miscela di carburante errata (carburante, olio, percentuale di olio);
  - qualsiasi danno causato da influenze esterne (chimiche, fisiche, urti) o sostanze estranee;
  - la normale usura delle parti di ricambio;
  - uso inappropriato, sovraccarico dell'utensile;
  - uso di accessori o parti non omologate;
  - qualsiasi regolazione periodica o pulizia di manutenzione dei carburatori;
  - componenti (parti e accessori) soggetti alla normale usura compresi, a mero titolo esemplificativo, testine a filo, cinghie di trasmissione, frizioni, lame di tagliasièpi o tagliaerba, imbragature, cavi di accelerazione, spazzole al carbonio, cavi di alimentazione, denti, rondelle di feltro, perni di aggancio, ventole dei soffiatori, tubi di soffiatori e aspiratori, sacchetti e cinghie per aspirapolvere, barre guida, catene per seghe, tubi, raccordi di connessione, ugelli di spruzzo, ruote, erogatori, lamine interne ed esterne, linee di taglio, candele, filtri dell'aria, filtri del gas, lame per mulching ecc.
4. Per la manutenzione il prodotto dev'essere spedito o portato presso uno dei centri assistenza autorizzati RYOBI elencati per ogni paese nel seguente elenco di indirizzi dei centri. In alcuni paesi il rivenditore locale RYOBI si incarica di inviare il prodotto all'organizzazione di assistenza RYOBI. Quando si invia un prodotto a un centro assistenza RYOBI, imballarlo in modo sicuro senza contenuti pericolosi come la benzina, apporre l'indirizzo del mittente e accompagnarlo da una breve descrizione del guasto.
5. La riparazione/sostituzione ai sensi della presente garanzia è gratuita. Non costituisce un prolungamento o un nuovo inizio del periodo di garanzia. Le parti o gli utensili scambiati diventano di nostra proprietà. In alcuni paesi i costi di consegna o di spedizione postale devono essere pagati dal mittente. I diritti di legge derivanti dall'acquisto dell'utensile rimangono inalterati.
6. La presente garanzia è valida in Comunità Europea, Svizzera, Islanda, Norvegia, Liechtenstein, Turchia, Russia e Regno Unito. Al di fuori di tali aree contattare il rivenditore autorizzato RYOBI per sapere se è valida un'altra garanzia.

### CENTRO SERVIZI AUTORIZZATO

Qualsiasi richiesta o problema con il prodotto può essere indirizzato ai centri di assistenza autorizzati locali (visitare [www.ryobitools.eu](http://www.ryobitools.eu)) o direttamente a: Techtronic Industries GmbH, Max Eyth Straße 10, 71364 Winnenden, Germany. Si prega di indicare il numero di serie e il tipo di prodotto stampati sull'etichetta.

## NL RYOBI® GARANTIEVOORWAARDEN

Naast de wettelijke rechten die voortvloeien uit de aankoop, wordt dit product gedekt door een garantie, zoals hieronder staat vermeld.

1. De garantietermijn voor consumenten bedraagt 24 maanden en gaat in op de datum waarop het product is gekocht. Deze datum moet worden gedocumenteerd met een factuur of een ander aankoopbewijs. Het product is uitsluitend ontworpen en bedoeld voor persoonlijk gebruik door consumenten. Er wordt dus geen garantie gegeven voor professioneel of commercieel gebruik.
2. Voor een deel van ons aanbod van tuingeredschappen (AC/DC) is het mogelijk om de garantietermijn te verlengen over de boven beschreven termijn, met behulp van de website [www.ryobitools.eu](http://www.ryobitools.eu). De gereedschappen die in aanmerking komen voor de verlenging van de garantietermijn wordt duidelijk weergegeven in winkels en/of verpakkingen en staat beschreven in de productdocumentatie. De eindgebruiker moet zijn/haar nieuw gekochte gereedschappen binnen 30 dagen na aankoop online registreren. De eindgebruiker kan zich registreren voor de verlengde garantietermijn als zijn woonland staat vermeld op het online registratieformulier waar deze optie geldig is. Bovendien moeten eindgebruikers toestemming geven voor de opslag van de gegevens die online ingevuld moeten worden en moeten ze de algemene voorwaarden accepteren. Het ontvangstbewijs van de registratie, dat per e-mail wordt verzonden en de oorspronkelijke factuur met de aankoopdatum vormt het bewijs van de verlengde garantietermijn.
3. De garantie dekt tijdens de garantietermijn alle gebreken van het product vanwege defecten in vakmanschap of materiaal op de aankoopdatum. De garantie is beperkt tot reparatie en/of vervanging en bevat geen andere verplichtingen, waaronder maar niet beperkt tot incidentele of gevolgschade. De garantie is niet geldig als het product is misbruikt, in strijd met de gebruiksaanwijzing wordt gebruikt of onjuist is aangesloten. Deze garantie geldt niet voor:
  - alle schade aan het product die het gevolg is van onjuist onderhoud
  - elk product dat is veranderd of aangepast
  - elk product waar de oorspronkelijke identificatie (handelsmerk, serienummer) is beschadigd, gewijzigd of verwijderd
  - alle schade die is veroorzaakt door het niet opvolgen van de gebruiksaanwijzing
  - elk niet-CE-product
  - elk product waar een poging tot reparatie is gedaan door een niet-erkende professional of zonder voorafgaande toestemming door Techtronic Industries.
  - elk product dat is verbonden met een verkeerde voeding (amperage, spanning, frequentie)
  - elk product dat wordt gebruikt met een verkeerd brandstofmengsel (brandstof, olie, oliegehalte)
  - alle schade die is veroorzaakt door externe invloeden (chemisch, fysisch, schokken) of vreemde stoffen
  - normale slijtage van reserveonderdelen
  - ongepast gebruik, overbelasting van het gereedschap
  - gebruik van niet-goedgekeurde accessoires of onderdelen
  - Alle periodieke aanpassingen aan of het onderhoud en reiniging van carburateurs
  - Componenten (onderdelen en accessoires) die onderhevig zijn aan natuurlijke slijtage, waaronder maar niet beperkt tot stootknoppen, aandrijfriemen, koppelingen, messen van hegtrimmers of grasmaaiers, hamas, gaskabel, koolstofborstels, stroomsoeren, tanden, viltringen, koppelingsspijnen, blazers, blaas- en zuigbuizen, zuigzakken en -riemen, geleidingsstaven, zaagkettingen, slangen, koppelingen, mondstukken, wielen, spuitstukken, binnenhaspels, buitenhaspels, snijdraden, bougies, luchtfilters, gasfilters, maaimessen, etc.
4. Voor onderhoud moet het product worden verzonden of gebracht naar een erkend servicecentrum van RYOBI die voor elk land staan vermeld in de volgende lijst met adressen voor servicecentra. In sommige landen zal uw lokale RYOBI-dealer het product verzenden naar de RYOBI-serviceorganisatie. Wanneer u het product naar een servicecentrum van RYOBI verzendt, moet het product veilig worden verpakt zonder enige gevaarlijke inhoud, zoals benzine, met het adres van de afzender en vergezeld van een korte beschrijving van het defect.
5. Een reparatie/vervanging die onder deze garantie valt is gratis. Het vormt geen verlenging of een nieuwe start van de garantietermijn. Vervisselde onderdelen of gereedschappen worden ons eigendom. In sommige landen moeten de verzendkosten door de afzender worden betaald. Uw wettelijke rechten die voortvloeien uit de aankoop van het gereedschap blijven onaangetaast.
6. Deze garantie is geldig binnen de Europese Gemeenschap, Zwitserland, IJsland, Noorwegen, Liechtenstein, Turkije, Rusland en het Verenigd Koninkrijk. Buiten deze gebieden moet u contact opnemen met uw erkende RYOBI-dealer om vast te stellen of er een andere garantie van toepassing is.

### GEAUTORISEERD ONDERHOUDSCENTRUM

Elk verzoek of probleem met het product kan worden gericht aan uw lokale geautoriseerde servicecentra (bezoek [www.ryobitools.eu](http://www.ryobitools.eu)) of rechtstreeks aan: Techtronic Industries GmbH, Max Eyth Straße 10, 71364 Winnenden, Germany. Vermeld het serienummer en het type product dat op het etiket staat.

## PT CONDIÇÕES DE APLICAÇÃO DA GARANTIA RYOBI®

Para além de quaisquer direitos previstos por lei resultantes da compra, este produto está coberto por uma garantia conforme descrição abaixo.

- O período da garantia é de 24 meses para consumidores particulares e inicia-se na data de compra do produto. Esta data tem de ser documentada por uma factura ou por outra prova de compra. O produto foi concebido para e destina-se apenas a consumidores particulares e uso privado. Assim, não é dada garantia em caso de utilização por profissionais ou uso comercial.
- Para uma parte da gama de ferramentas de jardim (AC/DC) existe a possibilidade de prolongamento do período da garantia para além do período descrito acima, mediante registo no Web site [www.ryobitools.eu](http://www.ryobitools.eu). A elegibilidade das ferramentas para prolongamento do período da garantia é claramente visível nas lojas e/ou nas embalagens e está contida na documentação do produto. O utilizador final tem de fazer o registo online das suas ferramentas recém-adquiridas no prazo de 30 dias após a data de compra. O utilizador final pode fazer o registo para prolongamento da garantia no seu país de residência, desde que esteja listado no formulário de registo online e para os casos em que esta opção seja válida. Para além disso, os utilizadores finais têm de autorizar o armazenamento dos dados cujo preenchimento lhes for solicitado online e têm de aceitar os termos e as condições. O recibo de confirmação do registo é enviado por e-mail e, em conjunto com a factura original ostentando a data de compra, servirá de prova do prolongamento da garantia.
- A garantia cobre todos os defeitos do produto durante o período da garantia devidos a defeitos de fabrico ou de material à data da compra. A garantia está limitada à reparação e/ou substituição e não inclui quaisquer outras obrigações, incluindo mas não se limitando a, perdas complementares ou indirectas. A garantia não é válida se o produto tiver sido utilizado incorretamente, utilizado de forma contrária ao Manual de Instruções ou se as respectivas ligações tiverem sido feitas incorretamente. Esta garantia não se aplica ao seguinte:
  - quaisquer danos ao produto que sejam resultado de manutenção incorrecta
  - qualquer produto que tenha sido alterado ou modificado
  - qualquer produto cujas marcações de identificação de origem (marca comercial, número de série) tiverem sido apagadas, alteradas ou retradas
  - quaisquer danos causados pelo incumprimento do Manual de Instruções
  - qualquer produto que não seja da Comunidade Europeia
  - qualquer produto ao qual tenha sido feita, ou tentado fazer, uma reparação por outra pessoa que não um profissional habilitado ou sem autorização prévia da Techtronic Industries.
  - qualquer produto ligado a uma fonte de alimentação eléctrica incorrecta (Amperes, Voltagem e Frequência)
  - qualquer produto utilizado com uma mistura de combustível incorrecta (combustível, óleo, percentagem de óleo)
  - qualquer dano causado por influências externas (químicas, físicas, impactos) ou substâncias estranhas
  - desgaste e degradação normal de sobresselentes
  - utilização incorrecta, sobrecarga da ferramenta
  - utilização de acessórios ou peças não aprovados
  - quaisquer ajustes periódicos a, ou limpeza de manutenção de, carburadores
  - Componentes (peças e acessórios) sujeitos a desgaste e degradação natural, incluindo mas não se limitando a, maçanetas anti-choque, correias de transmissão, embraiagens, lâminas de recortadores de sebes ou cortarelas, arneses, cabos de acelerador, escovas de carvão, cabos eléctricos, dentes, anilhas de feltro, pinos de engate, ventoinhas do soprador, tubos do soprador e do aspirador, cintas e sacos do aspirador, barras de guia, correntes de serra, mangueiras, peças de ligação, bocais de pulverização, rodas, varinhas de pulverização, bobinas interiores, bobinas exteriores, linhas de corte, velas de ignição, filtros do ar, filtros de gasolina, lâminas trituradoras, etc.
- Para assistência, o produto tem de ser enviado para, ou apresentado em, um posto de assistência autorizado RYOBI, conforme listado para cada país na lista de moradas de postos de assistência seguinte. Nalguns países, o seu concessionário RYOBI local encarrega-se de enviar o produto para a organização de assistência RYOBI. Quando enviar um produto para um posto de assistência RYOBI, o produto deve ser embalado de forma segura, sem conter nenhuns conteúdos perigosos (por exemplo, gasolina), marcado com o endereço do remetente e acompanhado por uma breve descrição da avaria.
- Uma reparação/substituição ao abrigo desta garantia é gratuita. Não constitui um prolongamento a, nem um novo início de, o período da garantia. As peças ou ferramentas substituídas tomam-se propriedade nossa. Nalguns países, o remetente terá de pagar os custos de entrega ou a remessa postal. Os seus direitos previstos por lei resultantes da compra da ferramenta mantêm-se inalterados
- Esta garantia é válida na Comunidade Europeia, Suíça, Islândia, Noruega, Liechtenstein, Turquia, Rússia e Rino Unido. Fora destas áreas, entre em contacto com o seu concessionário autorizado RYOBI para determinar se existe outra garantia aplicável.

### CENTRO DE ASSISTÊNCIA AUTORIZADO

Qualquer pedido ou problema relacionado com o produto pode ser encaminhado para os seus centros de reparação autorizados locais (visite [www.ryobitools.eu](http://www.ryobitools.eu)) ou directamente para: Techtronic Industries GmbH, Max Eyth Straße 10, 71364 Winnenden, Germany. Indique o número de série e o tipo de produto impressos na etiqueta.

## DA RYOBI® BETINGELSER FOR GARANTI

Udover lovbestemte rettigheder, som resulterer af købet, er dette produkt dækket af en garanti, som anført herunder.

- Garantiperioden er 24 måneder for forbrugere og begynder på den dato, som produktet blev købt. Denne dato skal dokumenteres af en faktura eller andet bevis for køb. Produktet er udelukkende designet og dedikeret til forbrugere og privat brug. Så der ydes ingen garanti i tilfælde af professionel eller kommerciel brug.
- Der er en mulighed for at forlænge garantiperioden for en del af udvalget af haveværktøj (AC/DC), hen over den ovenfor beskrevne periode vha. registrering på hjemmesiden [www.ryobitools.eu](http://www.ryobitools.eu). Betingelsen af værkøjet til forlængelse af garantiperioden er tydeligt vist i butikker og/eller på emballage og indeholdt i produktokumentationen. Slutbrugeren skal registrere hans/hendes nyligt indkøbte værktøj online indenfor 30 dage efter købsdatoen. Slutbrugeren kan registrere sig for den forlængede garanti i sit land, hvis han/hun er opført på den online registreringsformular, hvor denne mulighed er gyldig. Derudover skal slutbrugere give deres samtykke til at opbevare data, som er påkrævet til indtaste online, og de er nødt til at acceptere vilkår og betingelser. Registreringsbekræftelsekвитeringen, som sendes ud på e-mail, og den originale faktura, som viser købsdatoen, vil fungere som bevis for den forlængede garanti.
- Garantien dækker alle defekter, som et produkt måtte have i løbet af garantiperioden, og som skyldes produktionsfejl eller materialefejl på købsdatoen. Garantien er begrænset til reparation og/eller udskriftning og inkluderer ikke andre forpligtelser, inklusiv men ikke begrænset til tilfældige skader eller følgeskader. Garantien er ugyldig, hvis produktet er blevet misbrugt, brugt uden at overholde vejledningen, eller det er blevet forkert tilslutet. Denne garanti gælder ikke:
  - Beskadigelse af produktet, som er et resultat af uegnet vedligeholdelse
  - Et produkt der er blevet ændret eller modificeret
  - Et produkt hvor de originale identifikationsmærkninger (varemærke, serienummer) er blevet ødelagt, ændret eller fjernet.
  - Enhver beskadigelse forårsaget af manglende overholdelse af vejledningen
  - Ethvert ikke CE-produkt
  - Ethvert produkt som er blevet forsøgt repareret af en ukvalificeret professionel eller uden tidligere autorisation af Techtronic Industries.
  - Ethvert produkt som er tilslutet uegnet strømforsyning (ampere, spænding, frekvens)
  - Ethvert produkt som bruges med uegnet brændstofblanding (brændstof, olie, procentdel olie)
  - Enhver skade forårsaget af ekstern påvirkning (kemisk, fysisk, chok) eller fremmedelementer
  - Normal slid på reservedele
  - Uegnet brug, overbelastning af værktøjet
  - Brug af ikke-godkendt tilbehør eller dele
  - Alle regelmæssige justeringer eller vedligeholdelsesrengøring af karburatorer
  - Komponenter (dele og tilbehør) som er udsat for naturlig slid og ælde, inklusiv men ikke begrænset til drejeknapper, drivrem, greb, klinger til hæktrimmere eller plæneklippere, sele, kabel gasspjæld, kulborster, elledning, tænder, filtervisker, afhængstapper, blæseventilatorer, blæser- og sugeslang, sugespøse og stropper, styrestrenger, savkæder, slanger, forbindelsespakkinger, sprøjtedyser, hjul, sprøjtestave, indvendige ruller, udvendige ruller, udvendige spoler, skærelinjer, tændrør, luftfilter, gasfilter, tildækningsblade etc.
- For eftersyn skal produktet sendes til eller præsenteres for en RYOBI-autoriseret service værksted, som er oplyst for hvert land i den følgende liste over service værksted adresser. I nogle lande påtager din lokale RYOBI-forhandler sig ansvaret for at sende produktet til RYOBI-serviceorganisationen. Når et produkt sendes til en RYOBI-service værksted, skal det pakkes sikkert ind uden noget farligt indhold som benzin, mærkes med afsenderens adresse og med en kort beskrivelse af fejlen.
- En reparation/erstatning under denne garanti er gratis. Den udgør ikke en forlængelse eller en ny start på garantiperioden. Udvekslede dele eller værktøjer bliver vores ejendom. I nogle lande skal leveringsafgifter eller porto betales af afsenderen. Dine lovbestemte rettigheder i forbindelse med købet forbliver uanfægtede
- Denne garanti gælder i EU, Schweiz, Island, Norge, Liechtenstein, Tyrkiet, Rusland og Storbritannien. Udover disse områder bedes du kontakte din autoriserede RYOBI-forhandler for at afgøre, om en anden garanti gælder.

### AUTORISERED SERVICE/VERKSTEDER

Enhver anmodning eller problem angående produktet kan adresseres til dine lokale autoriserede servicecentre (gå ind på [www.ryobitools.eu](http://www.ryobitools.eu)) eller direkte til: Techtronic Industries GmbH, Max Eyth Straße 10, 71364 Winnenden, Germany. Angiv serienummer og produkttype, der er trykt på etiketten.

## SV RYOBI® ANVÄNDNINGSVILLKOR FÖR GARANTI

Förutom eventuella lagstadgade rättigheter som uppstår genom köpet, täcks den här produkten av en garanti som anges nedan.

- Garantiperioden är 24 månader för konsumenter och börjar gälla från det datum då produkten köptes. Detta datum måste dokumenteras på en faktura eller annat köpbevis. Produkten är utformad och avsedd för konsumenter och privat bruk. Därmed tillhandahålls ingen garanti vid yrkesmässigt eller kommersiellt bruk.
- Det finns möjlighet att förlänga garantiperioden för en del av utbudet för trädgårdsverktyg (AC/DC) under den period som anges ovan genom att använda registreringen på webbplatsen [www.ryobitools.eu](http://www.ryobitools.eu). De verktyg som är berättigade till en förlängning av garantiperioden visas tydligt i butiker och/eller på förpackningen/och anges i produktdokumentationen. Slut användaren behöver registrera hans/hennes nyförvärvade verktyg online inom 30 dagar från köpdatumet. Slut användaren kan registrera sig för den förlängda garantin i det land där han/hon bor om landet finns angivet i registreringsformuläret online och där detta alternativ är giltigt. Dessutom måste slut användaren ge sitt medgivande till lagring av data vilket krävs vid registrering online samt acceptera villkoren. Bekräftelsekvittot för registreringen som skickas ut via e-post och originalfakturan som visar köpdatumet kommer att gälla som bevis för den förlängda garantin.
- Garantin täcker alla produktdefekter under garantiperioden som beror på brister i utförande eller material vid köpdatumet. Garantin är begränsad gällande reparation och/eller utbyte och inkluderar inte några skyldigheter inklusive men inte begränsat till oförutsedda skador eller följdskador. Garantin är inte giltig om produkten har missbrukats, använts i strid med bruksanvisningen eller inte ansluts på rätt sätt. Denna garanti täcker inte:
  - eventuella skador på produkten som uppstått till följd av felaktigt underhåll
  - produkter som har ändrats eller modifierats
  - produkter där ursprungliga identifieringsmärkningar (varumärke, serienummer) har målats över, ändrats eller tagits bort
  - eventuella skador som uppstått till följd av att bruksanvisningen inte efterföljts
  - alla icke CE-produkter
  - eventuella produkter som har försökts repareras av en icke-kvalificerad yrkesman eller utan föregående medgivande från Technronic Industries.
  - eventuella produkter som anslutits till felaktig strömförsörjning (ampere, volt, frekvens)
  - eventuella produkter som använts med olämplig bränsleblandning (bränsle, olja, oljeprocent)
  - eventuella skador som uppstått till följd av yttre påverkan (kemisk, fysisk, stötar) eller främmande ämnen
  - normalt slitage av reservdelar
  - olämplig användning, överbelastning av verktyget
  - användningen av icke-godkända tillbehör eller delar
  - Eventuella periodiska justeringar av eller vid underhållsrengöring av förgasare
  - Komponenter (delar och tillbehör) är föremål för naturligt slitage, inklusive men inte begränsat till tryckknappar, drivremmar, koppling, blad till kantrimrar eller gräsklippare, sele, gasreglagevajer, kolborstar, strömladd, spetsar, filterbrickor, kopplingsprint, blåsfläkt, blås- och sugrör, sugpåse och remmar, styrkenor, sägkedjor, slangar, anslutningsdonrör, spraymunstycken, hjul, spraystavar, innerullar, ytterspolar, skärtråd, tändstift, luftfilter, gasfilter, sönderdelningsblad osv.
- Vid service måste produkten skickas eller uppvisas för en RYOBI- auktoriserad servicestation som står angiven för varje land i följande adresslista över servicestationer. I vissa länder tar din lokala RYOBI-återförsäljare på sig ansvaret att skicka produkten till RYOBI-serviceorganisationen. När en produkt skickas till en RYOBI-servicestation, ska produkten paketeras säkert utan något farligt innehåll såsom bensin, markeras med avsändarens adress samt en kort beskrivning av felet.
- En reparation/vett utbyte under denna garanti är kostnadsfri. Det utgör inte en förlängning eller förymelse av garantiperioden. Utbyta delar eller verktyg blir vår egendom. I vissa länder måste leveranskostnader eller porto betalas av avsändaren. Dina lagstadgade rättigheter som härrör från köpet av verktyget förblir opåverkade.
- Denna garanti är giltig i Europeiska gemenskapen, Schweiz, Island, Norge, Liechtenstein, Turkiet, Ryssland och Storbritannien. Utanför dessa länder, kontakta din auktoriserade RYOBI-återförsäljare för att avgöra om en annan garanti gäller.

### AUKTORISERAD SERVICECENTER

Varje begäran eller problem avseende produkten kan adresseras till ditt lokala auktoriserade servicecenter (besök [www.ryobitools.eu](http://www.ryobitools.eu)) eller direkt till: Technronic Industries GmbH, Max Eyth Straße 10, 71364 Winnenden, Germany. Ange serienumret och produkttypen som anges på etiketten.

## FI RYOBI®-TAKUUN SOVELTAMISEHDOT

Tällä tuotteella on oston luomien lakisäästeiden oikeuksien ohella alla mainitun mukainen takuu.

- Takuun kesto on kuluttajalle 24 kuukautta ja takuuaika alkaa tuotteen ostohetkestä. Tämän päivämäärän tulee lukea laskussa tai muussa ostositotuksessa. Tuote on suunniteltu ja tarkoitettu vain kuluttajien ja yksityiseen käyttöön. Takuu ei siis kata ammatti- eikä kaupallista käyttöä.
- Joidenkin puutarhatyökälujen (AC/DC) takuun kestoa on mahdollista laajentaa yllä mainittua kestoa pidemmäksi verkkosivuston [www.ryobitools.eu](http://www.ryobitools.eu) rekisteröinnin kautta. Työkälujen kelpoisuus takuujakson laajennukseen näkyy selkeästi myymälöissä ja/tai pakkauksissa ja/tai tämä tieto sisältyy tuotetiedokantaan. Loppukäyttäjän täytyy rekisteröidä vasta hankittu työkalu internetissä 30 päivän kuluessa ostopäivämäärästä. Loppukäyttäjää voi rekisteröidä laajennettuun takuun kotimaassaan, jos se on luettuna online-rekisteröintilomakkeessa, jossa mainitaan, missä tämä vaihtoehto on voimassa. Loppukäyttäjien täytyy lisäksi hyväksyä tietojen tallennus, jotka heidän täytyy antaa online-tilassa sekä ehdot. Rekisteröinnin vahvistuskuitti, joka lähetetään sähköpostitse, ja alkuperäinen ostopäivämäärän ilmaiseva lasku toimivat laajennetun takuun tositteina.
- Takuu kattaa kaikki tuotteeseen takuuaikana tulevat viat, joiden aiheuttajina ovat tuotteessa ostopäivänä oleet valmistus- tai materiaali viat. Takuu on rajoitettu korjaukseen kalun vaihtoon eikä se sisällä mitään muita velvoitteita mukaan lukien satunnais- ja seurannaisvahinkoja, mutta rajoittamatta niihin. Takuu ei päde, jos tuotetta on käytetty väärin, käyttöohjeen vastaisesti tai jos se on liitetty virheellisesti. Tämä takuu ei kata:
  - virheellisestä huollosta johtuvia vaurioita
  - muunnettua tai muutettua tuotetta
  - tuotetta, jonka alkuperäiset tunnistusmerkinnät (tavaramerkki, sarjanumero) on turmeltu, muutettu tai poistettu
  - tämän käyttöoppaan laiminlyöntistä johtuvia vaurioita
  - ei-CE-tuotetta
  - tuotetta, jota on yrittänyt korjata epäpätevä ammattilainen tai joka on korjattu ilman Technronic Industriesin ennakkolupaa.
  - tuotetta, joka on liitetty virheelliseen teholahteeseen (ampeirit, jännite, taajuus)
  - tuotetta, jossa on käytetty väärää polttoaineseosta (polttoaine, öljy, öljyprosentti)
  - ulkoisten vaikutusten (kemiallinen, fyysinen, iskut) tai vieraiden aineiden aiheuttamaa vauriota
  - normaaleja kulumia vараasia
  - virheellistä käyttöä, työkalun ylikuormitusta
  - ei-hyväksytytjen tarvikkeiden tai osien käyttöä
  - Kaasutinten säännöllistä säätöä tai ylläpitävää puhdistusta
  - Luonnollisesti kulumia komponentteja (osia tai tarvikkeita), joihin sisältyvät puskunupit, käyttöihinat, kytkin, pensasleikkurien tai ruohonleikkurien terät, valjait, kaasuvaijeri, hiiharjat, virtajohto, piikit, huopatiivistet, sokkapatit, puhallinten tuuletin, puhallin- ja imuputket, imuriin säkit ja ihinat, terälevyt, sahankeijut, leikat, liinotat, suihkusuihuttimet, pyörät, ruiskutusputket, sisä- ja ulkokelat, leikkusuijimat, hehkutulpat, ilmansuodattimet, kaasunsuodattimet, silpputerät yms. näihin kuitenkaan rajoittamatta.
- Tuote on lähetettävä huollettavaksi valtuutettuun RYOBI-huoltoon tai näytettävä siellä. Niiden osoitteet kussakin maassa löytyvät seuraavasta luettelosta. Joissakin maissa paikallinen RYOBI-jälleenne myyjä huolehtii tuotteen lähetyksestä RYOBI-huolto-organisaatioon. Kun tuote lähetetään RYOBI-huoltoon, se täytyy pakata hyvin ilman vaarallisia aineita, kuten polttoainetta, ja pakkaukseen täytyy merkitä lähettäjän nimi sekä vian lyhyt kuvaus.
- Takuun kattama korjaus/vaihto on maksuton. Se ei tarkoita takuuaajan laajennusta. Jos alkamista alusta. Vaihdetut osat tai työkalut siirtyvät valmistajan omistukseen. Joissakin maissa lähettäjän täytyy maksaa lähetyskustannukset tai postikulut. Työkalun oston luomat lakisäästeiset oikeudet pysyvät koskemattomina
- Tämä takuu on voimassa Euroopan yhteisössä, Sveitsissä, Islannissa, Norjassa, Liechtensteinissa, Turkissa, Venäjällä ja Yhdistyneessä kuningaskunnassa. Oita näiden alueiden ulkopuolella yhteyttä omaan valtuutettuun RYOBI-jälleenne myyjään ja selvitä, onko jotain muuta takuuta.

### VALTUUTETTU HUOLTO

Kaikki tuotteeseen liittyvät pyynnöt tai kysymykset voidaan osoittaa paikallisille valtuutetuille huoltoliiketoille (katso [www.ryobitools.eu](http://www.ryobitools.eu)) tai suoraan osoitteeseen: Technronic Industries GmbH, Max Eyth Straße 10, 71364 Winnenden, Germany. Ilmoita tarraan painettu sarjanumero ja tuotetyyppi.

## NO RYOBI® GARANTIBETINGELSER

I tillegg til eventuelle lovbestemte rettigheter som følger av kjøpet, er dette produktet dekket av en garanti som angitt nedenfor.

- Garantiperioden er 24 måneder for konsumenter og gjelder fra den datoen som produktet ble kjøpt. Denne datoen skal dokumenteres med en faktura eller annet kjøpsbevis. Produktet er designet og beregnet kun til konsument- og privat bruk. Så det gis ingen garanti ved profesjonell eller kommersiell bruk.
- For en del av utvalget av hageverktøy (AC/DC) er det mulighet til å utvide garantiperioden i den perioden som er beskrevet ovenfor ved bruk av registrering på nettsidene [www.ryobitools.eu](http://www.ryobitools.eu). Kvalifiseringen av verktøyene for en utvidelse av garantiperioden er tydelig vist i butikker og/eller på pakningen / og finnes innen produktdokumentasjonen. Sluttbrukeren må registrere sine nylig anskaffede verktøy online innen 30 dager etter kjøpsdato. Sluttbrukeren kan registrere seg for den utvidede garantien i sitt land hvis det er opplyst på online registreringsskjemaet der dette alternativet er gyldig. Videre må sluttbruker gi sitt samtykke til oppbevaring av dataene som kreves for å gå online, og de må godta vilkår og betingelser. Registreringsbekreftelsen, som sendes ut på e-post, og den originale fakturaen som viser kjøpsdato, vil tjene som bevis for den utvidede garantien.
- Garantien dekker alle defekter i produktet under garantiperioden på grunn av defekter i uforenelse eller materiale på kjøpsdato. Garantien er begrenset til å reparere og/eller erstatte og inkluderer ikke noen andre forpliktelser, inkludert, men ikke begrenset til, tilfældige eller følgesmessige skader. Garantien er ikke gyldig hvis produktet har blitt misbrukt, brukt på annen måte enn det som beskrives i bruksanvisningen eller er koblet til på feil måte. Denne garantien gjelder ikke for:
  - enhver skade på produktet som er resultat av utilstrekkelig vedlikehold
  - ethvert produkt som har blitt endret eller modifisert
  - ethvert produkt der de originale identifiseringsmerkene (varemerke, serienummer) har blitt uleselig, er endret eller fjernet
  - enhver skade som forårsakes av ikke-overholdelse av instruksjonshåndboken
  - ethvert ikke-CE-produkt
  - ethvert produkt som har blitt forsøkt reparert eller av en ikke-kvalifisert fagperson eller uten tidligere autorisasjon fra Techntron Industries.
  - ethvert produkt tilkoblet feil strømforsyning (ampere, spenning, frekvens)
  - ethvert produkt som brukes med feil drivstoffblanding (drivstoff, olje, prosentandel olje)
  - enhver skade som er forårsaket av eksterne påvirkninger (kjemiske, fysiske, støt) eller fremmede stoffer
  - normal slitasje og sliitereservedeler
  - feil bruk, overbelastning av verktøyet
  - bruk av ikke-godkjent tilbehør eller delerEventuelle periodiske justeringer av eller vedlikeholdssengringing av forbrennere
  - Komponenter (deler og tilbehør) som er underlagt naturlig slitasje, inkludert, men ikke begrenset til bulkknøtter, drivreimer, clutch, blader på hekketrimmere eller gressklippere, seler, kabelspjeld, karbonbørster, strømladning, kniver, feltpåkninger, heispinner, blåsevisfer, blåse- og vakuumslang, vakuumpose og reimer, førerstenger, sagkjeder, strømper, koblingsmonteringer, spraydyser, hjul, spraystenger, indre spoler, ytre spoler, kutteinjer, tennplugg, luftfilter, gassfilter, mulchingblader osv.
- For service må produktet sendes eller fremlegges for en RYOBI-autorisert servicestasjon opplyst for hvert land i den følgende listen over servicestasjonsadresser. I noen land sender den lokale RYOBI-forhandleren produktet til RYOBI serviceorganisasjonen. Ved å sende et produkt til en RYOBI servicestasjon skal produktet være sikkert pakket uten noe farlig innhold, slik som bensin, merket med senderens adresse og fulgt av en kort beskrivelse av feilen.
- En reparasjon/erstatning under denne garantien er gratis. Den utgjør ingen forlengelse eller en ny start av garantiperioden. Utskiftede deler eller verktøy blir værende. I noen land vil leveringskostnader eller frankering måtte betales av senderen. Dine lovbestemte rettigheter som oppstår fra kjøp av verktøyet forblir uberørt.
- Denne garantien er gyldig i EU, Sveits, Island, Norge, Liechtenstein, Tyrkia, Russland og Storbritannia. Utенfor disse områdene ta kontakt med din autoriserte RYOBI-forhandler om en annen garanti gjelder.

### AUTORISERT SERVICESENTER

Enhver forespørsel eller problem med produktet kan henvises til de lokale autoriserte serviceentrene (se [www.ryobitools.eu](http://www.ryobitools.eu)) eller direkte til: Techntron Industries GmbH, Max Eyth Straße 10, 71364 Winnenden, Germany. Angi serienummer og produkttype som er trykket på etiketten.

## RU УСЛОВИЯ ПРИМЕНЕНИЯ ГАРАНТИИ НА ПРОДУКЦИЮ RYOBI®

Помимо законных прав, возникающих при покупке, данное изделие покрывается гарантией в соответствии с приведенными ниже пунктами.

- Гарантийный период для покупателя составляет 24 месяца с даты покупки изделия. Дата покупки должна быть подтверждена полностью заполненным гарантийным талоном и чеком о покупке. Данное изделие предназначено только для частного использования покупателем. Поэтому гарантия не распространяется на использование в профессиональных или коммерческих целях.
- Предусмотрена возможность продления для части изделий линейки садовых инструментов (AC/DC) гарантийного периода с помощью регистрации на сайте [www.ryobitools.eu](http://www.ryobitools.eu). Право инструмента на продление гарантийного периода четко указано в магазинах и / или на упаковке / и содержится в сопутствующей инструменту документации. Конечный пользователь должен зарегистрировать свой приобретенный инструмент в течение 30 дней с даты покупки. Конечный пользователь может зарегистрировать свой инструмент на продление гарантии в стране своего проживания, если она указана в форме онлайн-регистрации. Кроме того, конечный пользователь должен дать свое согласие на хранение данных, которые необходимо ввести в онлайн-форму и принять правила и условия. Подтверждение регистрации, которое вы получите по электронной почте, заполненный гарантийный талон и оригинальный чек, в котором указана дата покупки, будут служить доказательством продленной гарантии.
- Гарантия покрывает в течение гарантийного периода все дефекты качества или материала изделия на дату покупки. Гарантия ограничена ремонтом и / или заменой и не включает никакие другие обязательства, включая, но не ограничиваясь случайными или косвенными убытками. Гарантия становится недействительной, если изделие использовалось не по назначению, вопреки инструкциям, данным в Руководстве пользователя или было неправильно подключено. Настоящая гарантия не распространяется на:
  - любые повреждения изделия в результате неправильного технического обслуживания или недостаточного ухода за инструментом
  - любые изделия, подвергшиеся изменениям и модификации
  - любые изделия, оригинальные идентификационные отметки которого (торговая марка, серийный номер) были повреждены, изменены или удалены
  - любые повреждения, вызванные несоблюдением инструкций Руководства пользователя
  - любые изделия, не сертифицированные маркировкой "CE" для продажи в Европейском союзе
  - любые изделия, подвергшиеся попыткам ремонта неквалифицированным работником или без предварительного утверждения компанией Techntron Industries.
  - любые изделия, подключенные к неправильному источнику питания (сила тока, напряжение, частота)
  - любые изделия, в которых использовались несоответствующие топливные смеси (топливо, масло, процент масла)
  - любые повреждения, вызванные внешними воздействиями (химические, физические, удары) или посторонними веществами
  - естественный износ запасных деталей
  - несоответствующее использование, перегрузка инструмента
  - использование неутвержденных аксессуаров и неоригинальных запасных деталей
  - любые регулярные регулировки, техническое обслуживание или чистка карбюраторов
  - компоненты (детали и аксессуары), подверженные естественному износу, включая, но не ограничиваясь фиксаторы шпули приводные ремни, сцепные муфты, лезвия триммеров и газонокосилок, плечевые ремни, кабельный дроссельный регулятор, угольные щетки, кабели питания, зубья, войлочные шайбы, фиксирующие шпильки, вентиляторы воздуходувки, трубки воздуходувки и пылесоса, головки для сбора мусора и режущие, пыльные шпильки, пыльные щели, шланги, соединительные детали, распылительные насадки, колеса, распылительные переходники, внутренние катушки и шпули, режущую леску, свечи зажигания, воздушные и топливные фильтры, мульчирующие лезвия и др.
- Для проведения технического обслуживания изделие следует направлять в авторизованные сервисные центры RYOBI, указанные для каждой страны в приведенном ниже списке адресов станций сервисного обслуживания. В некоторых странах местные дилеры RYOBI отправляют изделия в сервисные организации RYOBI. При отправке изделия в сервисный центр RYOBI, изделие должно быть безопасно упаковано и не содержать никаких опасных веществ, таких как бензин, должен быть подписан адрес отправителя и сопровождаться кратким описанием неисправности.
- Ремонт / замена проводится в рамках настоящей гарантии бесплатно. Он не продлевает гарантию и не начинает новый гарантийный период. Замененные детали и инструменты становятся нашей собственностью. В некоторых странах отправитель должен оплачивать стоимость отправки. Ваши законные права, возникающие при покупке инструмента, остаются неизменными
- Настоящая гарантия действительна в Европейском Сообществе, Швейцарии, Исландии, Норвегии, Лихтенштейне, Турции, России и Великобритании. Вне указанных территорий обращайтесь к своему авторизованному дилеру RYOBI, чтобы узнать, применяются ли условия каких-либо других гарантий.

### УПОЛНОМОЧЕННЫЙ СЕРВИСНЫЙ ЦЕНТР

При возникновении проблем с изделием обращайтесь в один из региональных авторизованных сервисных центров (см. [www.ryobitools.eu](http://www.ryobitools.eu)) или напрямую: Techntron Industries GmbH, Max Eyth Straße 10, 71364 Winnenden, Germany. Укажите серийный номер и тип изделия, указанные на табличке.

## PL WARUNKI GWARANCJI RYOBI®

Oprócz praw ustawowych wynikających z zakupu produkt jest objęty gwarancją, której warunki podano poniżej.

- Okres gwarancyjny wynosi 24 miesiące dla konsumentów i rozpoczyna się w dniu zakupu produktu. Data zakupu należy udokumentować fakturą lub innym dowodem zakupu. Produkt został zaprojektowany i jest przeznaczony do użytku konsumenckiego i prywatnego. W związku z tym gwarancja nie obejmuje zastosowań profesjonalnych i komercyjnych.
- Istnieje możliwość wydłużenia okresu gwarancyjnego dla części asortymentu narzędzi ogrodniczych (AC/DC) poprzez zarejestrowanie produktu na stronie internetowej [www.ryobitools.eu](http://www.ryobitools.eu). Kwalifikowalność narzędzi do wydłużenia okresu gwarancyjnego jest wyraźnie określona w sklepach i/lub na opakowaniu oraz w dokumentacji produktu. Użytkownik końcowy musi zarejestrować nowo kupione narzędzia online w ciągu 30 dni od daty zakupu. Użytkownik końcowy może zarejestrować się w celu przedłużenia gwarancji w swoim kraju zamieszkania, jeżeli jest on wymieniony w formularzu rejestracji online, gdzie opcja ta obowiązuje. Ponadto użytkownicy końcowi muszą wyrazić zgodę na przechowywanie danych, wprowadzanych na stronie internetowej i zaakceptować regulamin. Dowodem wydłużenia gwarancji jest wysłana pocztą elektroniczną potwierdzenie rejestracji i oryginalny faktury potwierdzającej datę zakupu.
- Gwarancja obejmuje wszystkie wady produktu ujawnione w okresie gwarancyjnym wynikające z usterki wykonania lub materiału obecnego w dniu zakupu. Gwarancja jest ograniczona do naprawy i/lub wymiany i nie obejmuje żadnych innych zobowiązań, w tym między innymi odpowiedzialności za szkody przypadkowe lub wtórne. Gwarancja nie obowiązuje, jeżeli produkt był nieprawidłowo używany, używany niezgodnie z instrukcją lub nie był prawidłowo podłączony. Gwarancja nie obejmuje:
  - uszkodzenia produktu wynikającego z nieprawidłowej konserwacji,
  - produktu, który został zmieniony lub zmodyfikowany,
  - produktu, którego oryginalne oznaczenie (znak towarowy, numer seryjny) zostało zniszczone, zmienione lub usunięte,
  - jakiegokolwiek uszkodzeń wynikających z nieprzestrzegania instrukcji,
  - jakiegokolwiek produktu bez certyfikatu CE,
  - jakiegokolwiek produktu, który próbowano naprawić z pomocą niewykwalifikowanej osoby lub bez uzyskania wcześniejszej zgody firmy Techntron Industries.
  - jakiegokolwiek produktu podłączonego nie prawidłowego źródła zasilania (nieprawidłowe napięcie prądu, napięcie, częstotliwość),
  - jakiegokolwiek produktu, który był używany z nieprawidłową mieszanką paliwową (paliwo, olej, procentowy udział oleju),
  - jakiegokolwiek uszkodzeń spowodowanych wpływem czynników zewnętrznych (chemicznych, fizycznych, drgań) lub substancji obcych,
  - normalnego zużycia części zamiennych,
  - nieprawidłowego użycia, przecięcia narzędzia,
  - stosowania niezatwierdzonych akcesoriów lub części,
  - jakiegokolwiek okresowych regulacji lub czyszczenia gaźników w ramach konserwacji
  - elementów (części i akcesoriów) podlegających naturalnemu zużyciu, obejmujących, między innymi, kopułki do zwalniania żyłki, pasy napędowe, sprężelko, ostrza przycinarek do żywopłotów lub kosiarzek do trawy, uprząż, przepustnice linkową, szczerki węglowe, przewód zasilania, zęby, podkładki filcowe, kółki podnośnika, wentylatory dmuchawy, rury nadmuchowe i ssawne, worek na śmieci i paski, prowadnice, łańcuchy piły, węże, mocowanie złączy, dysze natryskowe, kółka, przęty natryskowe, szpule wewnętrzne, szpule zewnętrzne, filtry gazu, ostrza do ściółkowania itp.
- W celu serwisowania produkt należy wysłać do autoryzowanego punkcie serwisowego RYOBI znajdującym się na przedstawionym poniżej wykazie punktów serwisowych w poszczególnych krajach. W niektórych krajach lokalny dystrybutor produktów RYOBI podejmuje się wysyłki produktu do centrum serwisowego RYOBI. W przypadku wysyłki do punktu serwisowego RYOBI produkt — pozbawiony jakiegokolwiek niebezpiecznych substancji, na przykład benzyny — należy bezpiecznie zapakować i dołączyć adres nadawcy oraz krótki opis usterki.
- Naprawa/wymiana w ramach niniejszej gwarancji jest bezpłatna. Nie stanowi jednak o przedłużeniu lub rozpoczęciu od nowa biegu okresu gwarancyjnego. Wymienione części lub narzędzia stają się naszą własnością. W przypadku niektórych krajów nadawca będzie musiał uregulować koszty dostawy lub opłaty pocztowe. Prawa ustawowe wynikające z zakupu narzędzia pozostają niezmienione.
- Niniejsza gwarancja obowiązuje we Wspólnocie Europejskiej, Szwajcarii, na Islandii, w Norwegii, a także w Liechtensteinie, Turcji, Rosji oraz Zjednoczonym Królestwie Wielkiej Brytanii i Irlandii Północnej. Poza tymi obszarami należy skontaktować się z autoryzowanym dostawcą produktów RYOBI i ustalić, czy obowiązuje inna gwarancja.

## AUTORYZOWANY PUNKT SERWISOWY

Wszelkie zapytania i problemy z produktem można zgłaszać do lokalnych autoryzowanych centrów serwisowych ([patrz \[www.ryobitools.eu\]\(http://www.ryobitools.eu\)](http://patrz.ryobitools.eu)) lub bezpośrednio do: Techntron Industries GmbH, Max Eyth Straße 10, 71364 Winnenden, Germany. Prosimy o podanie wydrukowanego na etykiecie numeru seryjnego oraz typu produktu.

## CS ZÁRUČNÍ PODMÍNKY RYOBI®

Kromě zákonných práv vyplývajících z koupě výrobku se na tento výrobek vztahuje také níže uvedené záruky.

- Záruční doba pro spotřebitele je 24 měsíců a začíná datem nákupu výrobku. Datum musí být zaznamenáno na faktuře nebo jiném dokladu o koupi. Tento výrobek je navržen a určen pouze pro soukromé účely spotřebitele. Záruka se tedy nevztahuje na profesionální nebo komerční využití výrobku.
- U některých zahradních nástrojů (AC/DC) je možné záruční dobu prodloužit. K tomu je nutná registrace na stránkách [www.ryobitools.eu](http://www.ryobitools.eu). Možnost prodloužení záruční doby výrobku je jasně uvedena v prodejních, popř. na obalech nebo v dokumentech o výrobku. Koncový uživatel musí svůj nový nástroj zaregistrovat online do 30 dnů od data nákupu. Koncový uživatel se může k prodloužení záruční době registrovat v zemi trvalého pobytu, pokud je tato uvedena na internetovém registračním formuláři u výrobku, kde je tato možnost dostupná. Koncový uživatelé musí dále souhlasit s uložením osobních údajů, která musí zadat na internetu, a přijmout obchodní podmínky. E-mail s potvrzením registrace a původní faktura s datem koupě poslouží jako důkaz o prodloužené záruce.
- Záruka se vztahuje na veškeré vady na výrobku v rámci záruční doby způsobené výrobními vadami nebo vadami materiálu u době koupě. Záruka je omezena na opravu, popřípadě výměnu a nezahrnuje žádné další povinnosti, včetně mimo jiné vedlejších či následných odškodnění. Záruka neplatí při použití výrobku k nevhodným účelům, v rozporu s uživatelskou příručkou nebo při nesprávném zapojení. Záruka se nevztahuje na:
  - veškeré škody na výrobku způsobené nesprávnou údržbou
  - veškeré produkty, které byly pozměněny nebo upraveny
  - veškeré produkty, kde byly původní identifikační prvky (obchodní značka, sériové číslo) poničeny, pozměněny nebo odstraněny
  - veškeré škody způsobené nedodržováním pokynů uživatelské příručky
  - veškeré produkty bez CE certifikace
  - veškeré produkty, které se pokusil opravit nekvalifikovaný odborník nebo opravy bez předchozího svolení společnosti Techntron Industries.
  - veškeré produkty zapojené do nesprávného elektrického zdroje (proud, napětí, frekvence)
  - veškeré produkty používané s nevhodnou palivovou směsí (palivo, olej, procento oleje)
  - veškeré škody způsobené externími vlivy (chemickými, fyzickými, nárazy) nebo cizími látkami
  - běžné opotřebování dílů
  - nevhodné použití, přetěžování nástroje
  - použití neschválených příslušenství nebo dílů
  - veškerá pravidelná seřízení nebo čištění v rámci údržby karburátorů
  - komponenty (díly a příslušenství) podléhající opotřebení, včetně mimo jiné nárazových koleček, posuvných pásů, spojek, nožů plotových nůžek a sekaček na trávu, popruhu, plynového lanka, karbonových kartáčů, napájecího kabelu, zubů, plstěných podložek, závěsných kolků, větráků fukaru, trubíc fukaru a vysavače, vaku a popruhu vysavače, vodících listů, pilyových řetězů, hadic, konektorů, trysek, kol, stříkaček, tyčí, vnitřních cívek, vnějších kotevů, řezných strun, zavalovacích svěček, vzduchových filtrů, plynových filtrů, mulčovačích nožů atd.
- K provedení servisu musí být výrobek zaslán nebo předán do autorizovaného servisního centra společnosti RYOBI, jejichž adresy jsou uvedeny podle zemi v seznamu servisních center. V některých zemích za vás výrobek pošle servisní organizaci RYOBI sám prodejce výrobků této značky. Při zaslání výrobku do servisního centra RYOBI je potřeba výrobek bezpečně zabalit bez nebezpečného obsahu jako benzín, opatřit adresou odesílatele a připojit krátký popis závady.
- Oprava, popř. výměna v rámci této záruky je zdarma. Neznámá to prodloužení nebo začátek nově záruční lhůty. Vyměněné díly nebo nástroje přejdou do našeho vlastnictví. V některých zemích platí poštovné odesílatele. Vaše zákonná práva vyplývající z koupě tohoto nástroje zůstávají nedotčena.
- Tato záruka platí v Evropském společenství, Švýcarsku, na Islandu, v Norsku, Lichtenštejnsku, Turecku, Rusku a Spojeném království. Mimo tato území kontaktujte autorizovaného prodejce značky RYOBI, který zjistí, zda se na výrobek vztahuje jiná záruka.

## POVĚŘENÉ SERVISNÍ STŘEDISKA

S požadavky nebo problémy týkajícími se tohoto výrobku se můžete obracet na místní pověřená servisní střediska (podle [www.ryobitools.eu](http://www.ryobitools.eu)) nebo přímo na: Techntron Industries GmbH, Max Eyth Straße 10, 71364 Winnenden, Germany. Uveďte výrobní číslo a druh výrobku ze štítku.

## **HU** A RYOBI® GARANCIA ALKALMAZÁSÁNAK FELTÉTELEI

A vásárlásból adódó törvényben rögzített jogok mellett a termékre az alábbi garancia vonatkozik.

1. A fogyasztói garancia tartama 24 hónap, mely a termék vásárlásának napjával kezdődik. Ezt a dátumot számlával vagy a vásárlást igazoló egyéb dokumentummal kell bizonyítani. A termék rendelkezése csak fogyasztói és magánéleti használat. Ezért professzionális vagy kereskedelmi használat esetén a garancia nem érvényes.
2. A kerti szerszámok (egyenáramú/váltóáramú) egy részénél a garancia időtartama a [www.ryobitools.eu](http://www.ryobitools.eu) webápolon regisztrálva meghosszabbítható. Az áruházakban, a csomagoláson, illetve a termék dokumentációjában egyértelműen jelezzük van, hogy az adott termék garanciája meghosszabbítható-e. A végfelhasználónak a vásárlás dátumától számított 30 napon belül regisztrálnia kell az újonnan vásárolt szerszámot. A végfelhasználó akkor regisztrálhat a kiterjesztett garanciára, ha az ország, ahol lakik, fel van sorolva az online regisztrációs úrlapon azon országok között, ahol választható ez az opció. Ezenkívül a végfelhasználónak bele kell egyeznie az online regisztrálás során szükséges adatok tárolásába, és el kell fogadnia a felhasználási feltételeket. A kiterjesztett garanciát a regisztráció bekezdéséről e-mailben küldött visszaigazolás és a vásárlás dátumát tartalmazó eredeti számla igazolja.
3. A garancia a termék vásárlásakor fennálló, a gyártás során keletkezett hibákra és anyaghibákra érvényes a garanciális időtartamon belül. A garancia csak a javításra/cseréire korlátozódik, és nem terjed ki semmilyen egyéb kötelezettségre, nem kizárólagosan ideértve a véletlen vagy szándékos rongálást. A garancia nem érvényes, ha a terméket nem megfelelően, a használati utasításban foglaltakkal ellentétben, illetve nem megfelelően csatlakoztatva használták. A garancia nem vonatkozik:
  - a terméket a nem megfelelő karbantartás következtében ért károsodásra
  - megváltoztatott vagy átalakított termékre
  - olyan termékre, melyen az eredeti azonosítottak (védjegy, sorozatszám) megrongáltak, megváltoztatták vagy eltávolították
  - a használati utasítás be nem tartásából eredő kára
  - CE jelöléssel nem rendelkező termékekre
  - olyan termékre, melyet nem képzett, illetve a Techtronic Industries által nem fejlesztett szerelő javított
  - nem megfelelő (áramerősségű, feszültségű, frekvenciájú) áramforrásra csatlakoztatott termékre
  - nem megfelelő üzemyanyag-keverékkel (üzemyanyag, olaj, olaj aránya) használt termékre
  - külső (vegyi, fizikai, ütés) hatásokból vagy idegen anyagokból eredő károokra
  - a cserélhető alkatrészek természetes kopására és elhasználódására
  - a szerszám helytelen használatára, túlterhelésére
  - nem jóváhagyott tartozékok és alkatrészek használatára
  - A karburátorok rendszeres beállítása, karbantartása, tisztítása
  - A természetes kopásnak és elhasználódásnak kitett alkatrészek és kiegészítők, például (de nem kizárólag) damildobok, ékszíjak, foglalatok, sövényvágók és fűnyírók kése, heveder, gázbowden, szénkefék, tápkábel, kultivátorfogak, ficalátétek, akasztószögek, fűvókészlékek ventilátora, fűvó- és szívócsövek, szívózsák és pánok, terelőrudak, fűrészláncok, tömlők, csatlakozószerevények, permetezőfejek, kerekék, permetezőszárak, belső dobok, külső csévék, vágódamilok, gyújtógyertyák, légszűrők, gázsűrők, mulcsozókések stb.
4. A terméket javításra el kell vinni egy meghatalmazott RYOBI szervizbe; ezeket az egyes országokhoz a következő listában találja. Egyes országokban a helyi RYOBI kereskedő vállalja a termék elszállítását a RYOBI szervizbe. A terméket veszélyes tartalom, például benzín nélkül csomagolva, a feladó címét feltüntetve, a hiba rövid leírásával együtt küldje el a RYOBI szervizbe.
5. A jelen garancia hatálya alatt végzett javítás, illetve csere ingyenes. Nem jelenti a garanciális időtartam újraindulását. A kicserélt alkatrészek és szerszámok a mi tulajdonunkba kerülnek. Egyes országokban a szállítás vagy postázás költségét a feladó viseli. A vevőnek a szerszám megvásárlásából adódó törvényes jogai nem változnak.
6. Ez a garancia az Európai Közösségben, Svájcban, Izlandon, Norvégian, Liechtensteinben, a Törökországban, Oroszországban és az Egyesült Királyságban érvényes. E területen kívül kérdezze meg a RYOBI forgalmazót, hogy milyen garancia van érvényben.

### **HIVATALOS SZERVIZKÖZPONT**

Ha bármilyen kérésre vagy problémájára van a termékkel kapcsolatban, forduljon a helyi hivatalos szervizközpontozhoz (látogasson el a [www.ryobitools.eu](http://www.ryobitools.eu) oldalra), vagy közvetlenül ide: Techtronic Industries GmbH, Max Eyth Straße 10, 71364 Winnenden, Germany. Adja meg a címére nyomtatott sorozatszámot és terméktípust.

## **RO** CONDIȚII DE APLICARE A GARANȚIEI PENTRU PRODUSELE RYOBI®

În plus față de condițiile statutare rezultate din achiziționarea acestui produs, acesta este acoperit de garanția stipulată mai jos.

1. Perioada de garanție este de 24 de luni pentru consumatori și începe de la data achiziționării produsului. Data de începere a garanției trebuie demonstrată cu o factură sau altă dovadă a cumpărării produsului. Produsul este destinat și conceput doar pentru utilizare în scopuri personale. Din acest motiv, nu se oferă garanție pentru utilizarea sa în scop profesional sau comercial.
2. Există posibilitatea de extindere a perioadei de garanție pentru gama de unelte electrice pentru grădini (de CA/CC) peste perioada stipulată mai sus prin înscrierea produsului pe website-ul [www.ryobitools.eu](http://www.ryobitools.eu). Eligibilitatea pentru perioada de extindere a garanției este afișată în mod clar în magazinele de vânzare și/sau pe ambalaj sau este inclusă în documentația livrată împreună cu produsul. Utilizatorul final este obligat să-și înregistreze produsul online în termen de maxim 30 de zile de la achiziția acestuia. Utilizatorul final poate înregistra produsul pentru garanția extinsă oferită în țara sa de rezidență dacă aceasta este listată în formularul de înregistrare online și dacă această opțiune este validă. În plus, utilizatorul final trebuie să-și dea acordul pentru stocarea datelor personale solicitate la înregistrarea online și trebuie să accepte termenii și condițiile. Mesajul de confirmare a înregistrării, trimis prin e-mail și factura originală cu data achiziției vor dovedi perioada de garanție extinsă.
3. Garanția acoperă toate defecțiunile produsului survenite în perioada de garanție datorate defectelor de execuție sau materialelor folosite, începând cu data achiziției acestuia. Garanția este limitată la reparare și/sau înlocuire și nu include alte obligații, inclusiv, dar fără a se limita la daune accidentale sau rezultate pe cale de consecință. Garanția își pierde valabilitatea dacă produsul este utilizat necorespunzător, utilizat neconform cu instrucțiunile de utilizare din manualul cu instrucțiuni sau conectat incorect. Garanția nu se aplică în cazul:
  - oricărei defecțiuni survenite în urma întreținerii necorespunzătoare a produsului
  - oricărui produs alterat sau modificat
  - oricărui produs la care inscripțiile cu date de identificare (marca comercială, numărul de serie) au fost șterse, modificate sau îndepărtate
  - oricărei defecțiuni datorate neconformării cu instrucțiunile din manualul de utilizare
  - oricărui produs necertificat CE
  - oricărui produs asupra căruia au fost efectuate tentative de reparare de către personal necalificat sau fără autorizație prealabilă din partea Techtronic Industries.
  - oricărui produs conectat la o sursă de alimentare necorespunzătoare (curent, tensiune, frecvență)
  - oricărui produs utilizat cu un amestec de carburant necorespunzător (combustibil, ulei, proporții de adaos ulei)
  - oricărui defecțiuni datorate unor influențe externe (chimice, fizice, șocuri) sau substanțe străine
  - uzurii și fisurării normale a pieselor de rezervă
  - utilizării neadevurate, suprautilizării uneltei
  - utilizării de piese și accesorii neaprobate
  - Orice operați de curățare sau reglare periodică a carburatorului
  - Componentele (piese și accesorii) supuse uzurii și defectării normale, care includ, fără a se limita la manșoane de protecție, curele de transmisie, ambreiaj, lamele de la tăietoarele de arbore sau gazon, hamașamente, cablu de accelerație, perii de carbon, cordon de alimentare, dinți, discuri de păsă, știfturi de siguranță, ventilatoare de suflet, tuburi de aspirare sau sulfare, sac de colectare resturi și banda de susținere a acestuia, bare de ghidare, lanțuri de fierăstrău, funtunuri, accesorii de conectare, duze de pulverizare, volante, baghete de pulverizare, mosoare interne, carcase exterioare pentru mosoare, fire tăietoare, bujii, filtre de aer, filtre de gaz, lame de tocător, etc.
4. Pentru efectuarea reparațiilor, produsul trebuie trimis sau adus la un centru de reparații autorizat RYOBI din lista următoare de centre de reparații prezentate pentru fiecare țară. În anumite țări, reprezentant local RYOBI va trimite produsul spre reparare la sediul central de reparații RYOBI. Atunci când trimiteți produsul spre reparare la un centru de reparații RYOBI, acesta trebuie ambalat în siguranță, fără conținut periculos (cum ar fi benzina), marcat cu adresa expeditorului și însoțit de o scurtă descriere a defectului.
5. Repararea/înlocuirea în perioada de garanție este gratuită. Aceasta nu este însoțită de o prelungire sau o reințiere a perioadei de garanție. Piesele sau uneltele schimbate devin proprietatea dvs. În anumite țări, taxele de expediție sau poștale vor fi suportate de expeditor. Drepturile dvs. statutare rezultate din achiziția produsului rămân neschimbate.
6. Această garanție este valabilă în Comunitatea Europeană, Elveția, Islanda, Norvegia, Liechtenstein, Turcia, Rusia și Marea Britanie. În afara acestor zone, vă rugăm să contactați reprezentantul dvs. local RYOBI pentru a determina dacă se aplică alt tip de garanție.

### **CENTRU DE SERVICE AUTORIZAT**

Orice întrebare sau problemă în legătură cu produsul se poate adresa la centrele locale autorizate de service (vizitați [www.ryobitools.eu](http://www.ryobitools.eu) sau direct la: Techtronic Industries GmbH, Max Eyth Straße 10, 71364 Winnenden, Germany. Vă rugăm să specificați numărul de serie și tipul de produs tipărite pe etichetă.



## LV RYOBI® GARANTIJAS PIEMĒROŠANAS NOSACĪJUMI

Papildus jebkādam likumiskajam tiesībām, kuras rodas, veicot pirkumu, izstrādājums tiek nodrošināts ar tālāk tekstā noteikto garantiju.

1. Garantijas periods patērētājiem ir 24 mēneši, tā atskaite tiek sākta no datuma, kurā veikta izstrādājuma iegāde. Šim datumam jābūt dokumentētam rēķinā vai citā pirkumu apliecināšā dokumentā. Izstrādājums ir radīts un paredzēts tikai patērētāja privātai lietošanai. Saistībā ar iepriekšminēto, garantija netiek nodrošināta profesionālās vai komerciālās lietošanas gadījumā.
2. Pastāv iespēja pagarināt daļas no dārza instrumentu klāsta (Mainstrāvas/akumulatoru) garantiju ilgāk par iepriekš minēto periodu, izmantojot reģistrāciju interneta vietnē [www.ryobitools.eu](http://www.ryobitools.eu). Instrumenti, kas pakļauti garantijas perioda pagarināšanai, tiek skaidri apzīmēti veikalos un/vai uz iepakojuma un izstrādājumu komplektējošajā dokumentācijā. Gala lietotājam nepieciešams reģistrē tā iegādāto jauno instrumentu 30 dienu laikā no pirkuma datuma. Gala lietotājs var reģistrēties pagarinātajai garantijai savā mītnes valstī, ja tā minēta tiešsaistes reģistrācijas veidlapā, kurā šī iespēja ir aktīva. Bez tam, gala lietotājam ir jāsniedz pierādīšana tiešsaistes ievadīšanai nepieciešamo datu glabāšanai un jāpiekrīt noteikumiem un nosacījumiem. Reģistrācijas apstiprinājums, kas tiek nosūtīts, izmantojot e-pastu, un rēķina oriģināls, kurā norādīts iegādes datums, kalpo kā pagarinātās garantijas apstiprinājums.
3. Garantija attiecas uz visiem izstrādājuma defektiem garantijas periodā, kas saistīti ar ražošanas vai materiālu defektiem no pirkuma datuma. Šī garantija tiek ierobežota ar remontu un/vai nomainu un neietver jebkādas citas saistības, tajā skaitā, bet ne tikai, cēloniskārīgos vai saistītos bojājumus. Garantija nav spēkā, ja izstrādājums ir nepareizi lietots, izmantots pretējā norādē lietošanas rokasgrāmatā vai bijis nepareizi pieslēgts. Šī garantija netiek attiecināta uz:
  - jebkādiem izstrādājuma bojājumiem, kas radušies nepareizas uzturēšanas rezultātā
  - jebkuru izstrādājumu, kas ticis pārveidots vai mainīts
  - jebkuru izstrādājumu, kura oriģinālais identifikācijas (preču zīme, sērijas numurs) marķējums ir ticis nodzēsts, mainīts vai noņemts
  - jebkādiem bojājumiem, kuri radušies neievērojot norādes lietošanas rokasgrāmatā
  - jebkādam izstrādājumam bez CE sertifikācijas
  - jebkurai izstrādājumam, kura remontu mēģinājis veikt nekvalificēts personāls vai bez Technronic Industries iepriekšējas autorizācijas.
  - jebkurai izstrādājumam, kurš bijis pieslēgts neatbilstošu parametru (strāvas, sprieguma, frekvences) sprieguma avotam
  - jebkurai izstrādājumam, kurš bijis izmantots ar nepareizu degvielas maisījumu (degviela, eļļa, eļļas procentuālais saturs)
  - jebkuriem bojājumiem, kuri radušies ārējas iedarbības (ķīmiskas, fiziskas, triecieni) vai vielu ietekmē
  - detaļu normāla lietošanas nodiluma rezultātā
  - nepareizas lietošanas vai instrumentu pārlodes rezultātā
  - neapstiprinātā detaļu vai aprīkojuma lietošanas rezultātā
  - jebkādos periodiskus karburatoru regulēšanas darbus vai apkopes tīrīšanu
  - Komponentus (daļas un aksesuārus), kas pakļauti dabīgām nodilumam, ieskaitot, bet neaprobežojoties ar atsitiena pogām, piedziņas siksniņām, sajūgiem, krūmu šķēru un plaujmašīnu asmeņiem, uzkabēm, droseļu trosītēm, ogļekļa sukām, elektrības vadiem, tapām, filca paplākšiem, sakabes tapām, pūtēja ventilatoriem, pūtēja un sūkšanas caurulēm, savākšanas maisiem un siksniņām, vadočņu plankām, zaģu ķēdēm, šļūtenēm, savienojumu uzgaļiem, izsmidzinātāja uzgaļiem, riteņiem, izsmidzinātāja caurulēm, iekšējām spoļēm, ārējām spoļēm, plaušanas auklām, aizdedzes svečēm, gaisa filtriem, degvielas filtriem, mulčēšanas asmeņiem, utt.
4. Servisa nodrošināšanai, izstrādājums ir jānodod pilnvarotā RYOBI servisa centrā, kas norādīts katrai valstij tālāk minētajā servisa centru adresē sarakstā. Dažās valstīs Jūsu vietējais RYOBI izplatītājs uzņemas izstrādājuma nosūtīšanu uz RYOBI servisa organizāciju. Nosūtīt izstrādājumu uz RYOBI servisa centru, izstrādājuma jābūt droši iepakotam, tas nedrīkst saturēt bīstamas vielas kā degvielu, sūttīrumam jābūt marķētam ar sūttāja adresi un īsu kļūmes aprakstu.
5. Remonts/nomainīšana šīs garantijas ietvaros ir bezmaksas. Tas nerada garantijas perioda pagarināšanu vai jaunu garantiju. Nomainītās daļas vai instrumentu kļūst par mūsu īpašumu. Dažās valstīs piegādes vai pasta izmaksas būs jāapmaksā sūttājam. Jūsu likumiskās tiesības, kas nodrošinātas, iegādājoties instrumentu, paliek nemainīgas
6. Šī garantija ir spēkā Eiropas Kopienā, Šveicē, Islandē, Norvēģijā, Lihtenšteinā, Turcijā, Krievijā un Apvienotajā Karalistē. Ārpus šīm teritorijām, lūdzu, sazinieties ar Jūsu pilnvaroto RYOBI izplatītāju, lai noteiktu, vai ir piemērojama cita garantija.

### AUTORIZĒTS APKALPOŠANAS CENTRS

Ar jebkuru pieprasījumu vai problēmu, kas saistīta ar produktu, var vērsties Jūsu vietējā pilnvarotā servisa centrā (apmeklējiet [www.ryobitools.eu](http://www.ryobitools.eu)) vai tieši pie: Technronic Industries GmbH, Max Eyth StraĶe 10, 71364 Winnenden, Germany, Lūdzu, norādiet sērijas numuru un produkta tipu, kas norādīts uz etiķetes.

## LT „RYOBI®“ GARANTIJOS TAIKĀMO SĀLYGOS

Papildant bet kokias įstatymuose numatytas perkant atsirandančias teises, űiam įrenginiui taikoma toliau nurodyta garantija.

1. Vartotojams suteikiama 24 mėnesių trukmės garantija nuo įrenginio įsigijimo datos. Ši data turi būti nurodyta sąskaitoje faktūroje ar kitame pirkimą įrodančiame dokumente. Šis įrenginys skirtas tik vartotojų rinkai ir asmeniniam naudojimui. Todėl garantija netaikoma, jei įrenginys naudojamas profesinėms ar komercinėms reikmėms.
2. Įsigijus tam tikrus sodo įrenginius (AC/DC), suteikiama galimybė prašyti garantiją, kad ji galiojūt ilgiau, nei nurodyta pirmiau, naudojantis registracija interneto svetainėje [www.ryobitools.eu](http://www.ryobitools.eu). Ar galima prašyti įrenginio garantijos laikotarpį, aiškiai nurodoma produotuvsė ir (arba) ant įrenginio pakutės, ir (arba) įrenginio dokumentuose. Galutinis naudotojas turi užregistruoti savo naujai įsigytą įrenginį per 30 dienų nuo įsigijimo datos. Galutinis naudotojas gali registruotis išplėstinei garantijai savo gyvenamojoje šalyje, jei ji nurodyta internetinėje registracijos formoje, kurioje siūloma tokia galimybė. Be to, galutiniai naudotojai turi sutikti su duomenų, kuriuos reikia įvesti internetu, saugojimu ir svetainės naudojimo sąlygomis. Kaip išplėstinės garantijos įrodymas naudojamas registracijos patvirtinimo kvitas, atsiunčiamas eil. paűtu, ir originali sąskaita faktūra, kurioje nurodyta įsigijimo data.
3. Ši garantija apima visus garantiniu laikotarpiu aptiktus įrenginio trūkumus, atsiradusius dėl gamybos arba medžiaginių defektų nuo įsigijimo datos. Ši garantija ribojama remontu ir (arba) pakeitimu, ir neapima jokių kitių įsipareigojimų, įskaitant (bet tuo neapsiribojant) šaltinius arba atrinius nuostolius. Garantija anuluojama, jei įrenginys buvo naudojamas netinkamai, naudojamas ne pagal naudojimo instrukciją arba netinkamai prijungtas. Ši garantija netaikoma:
  - jokiai įrenginiui padarytai űalai, kurią lemė netinkama techninė prieűžiūra;
  - jokiai įrenginiui, kuris buvo keičiamas ar modifikuojamas;
  - jokiai įrenginiui, kurio originalūs identifikavimo ženklai (prekės ženklas, serijos numeris) buvo sugadinti, pakeisti arba pašalinti;
  - jokiai űalai, kurią lemė naudojimo instrukcijos nesilaikymas;
  - jokiems CE ženklų nepaűymėtiems įrenginiams;
  - jokiai įrenginiui, kurį bandė remontuoti nekvalifikuoti asmenys arba kuris buvo remontuojamas be „Technronic Industries“ leidimo;
  - jokiai įrenginiui, kuris buvo prijungtas prie netinkamo maitinimo tinklo (netinkamos srovės, įtampos, daűnio);
  - jokiai įrenginiui, kuris buvo naudojamas su netinkamu degalų miűiniu (degalai, alyva, maišymo santykis);
  - jokiai űalai, kurią lemė išorinis poveikis (cheminis, fizinis, smūgiai) arba pašalinės medűiagos;
  - dėvimosioms dalims;
  - netinkamam naudojimui, įrenginio perkrovai;
  - nepatvirtintų priedų arba dalių naudojimui;
  - Jokiai reguliariam karbiuratorių reguliavimui arba prieűiūros ir valymo darbams
  - Komponentams (dalims ir priedams), kurie natūraliai dėvisi, įskaitant (bet tuo neapsiribojant) spyruoklines galvutes, pavarų dirűus, sankabą, gyvatvorių geitėvų ar űoliaplovių geleűtes, dirűus, trosinį droseļį, angliuis űepetelius, maitinimo kabelį, virbus, fetu poverűtes, prikabinimo kaiűčius, pūstuvu ventilatorius, pūstuvu ir siurblio vamzűius, siurblio maiűi ir dirűus, purkiamuosius strypus, pjūklų grandines, űarneles, jungiamąsias detales, purkimo angaliuis, ratus, purkimo liestukus, vidines rites, išorines rites, pjovimo vielą, uűdegimo űvakes, oro filtrus, dujų filtrus, mulčiamio geleűtes ir pan.
4. Prireikus atlikti prieűiūros darbus, įrenginį reikia siųsti arba atveűti RYOBI įgaliotajam prieűiūros centrui, nurodytam kiekvienos űalies prieűiūros centrų adresų saraűe. Kai kuriose űalyse vietinis RYOBI atstovas siunčia įrenginį RYOBI prieűiūros organizacijai. Siunčiant įrenginį RYOBI prieűiūros centrui, reikia saugiai jį supakuoti pašalinant visas pavojingas medűiagas, pvű., benzina, nurodyti ant pakutės suintęto adresą ir pridėti trumpą gedimo apraűymą.
5. Pagal űią garantiją remontas / keitimas atliekami nemokamai. Tokie veiksmi netaikomi garantijos praűesimui arba naujo garantinio laikotarpio pradűiai. Dalsys arba įrenginiai, kuriuos pakeitėme, tampa mūsų nuosavybe. Kai kuriose űalyse pristatymo ir paűo űalaidas turi padengti siuntėjas. Įstatymuose numatytos jūsų teisės, atsirandamos perkant įrenginį, lieka nepakeistos
6. Ši garantija galioja Europos Bendrijos űalyse, űveicarijoje, Islandijoje, Norvegijoje, Lihtenűeine, Turkijoje, Rusijoje ir Jungtinėje Karalystėje. Jei gyvenate ne űiose űalyse, kreipkitės į įgaliotąjį RYOBI atstovą ir suűnokite, ar jums taikoma kita garantija.

### ĮGALIOTAS TECHNINIS PRIEűIűROS CENTRAS

Jei turite kokių nors pageidavimų ar problemų, susijusių su űiuo gaminiu, galite kreiptis į artimiausią įgaliotąjį techninės prieűiūros centrą apsilankydami [www.ryobitools.eu](http://www.ryobitools.eu) arba tiesiogiai: Technronic Industries GmbH, Max Eyth StraĶe 10, 71364 Winnenden, Germany. Nurodykite etiketėje išspausdintą serijos numerį ir gaminio tipą.

## ET RYOBI® GARANTIINGIMUSED

Lisaks toote ostu tulenevatele seadusjärgsetele õigustele, kehtib tootele ka alltoodud garantiaja.

1. Tarbijatele on garantiaeg 24 kuud ja algab sellel kuupäeval, mil toode osteti. Selle kuupäeva täpsustamiseks on vaja arvet või mõnda teist tõendit ostu sooritamise kohta. Toode on mõeldud eratarbijatele ainult isiklikeks kasutamiseks. Seega ei kehti garantii ostu kasutamisel kutsetegevuses või kaubanduslikel eesmärkidel.
2. Teatud osale (vahelduvvoolu/alisvoolu) aiatööriistadele on võimalik pikendada eespool toodud garantiaega, kasutades toote registreerimist veebilehel [www.ryobitools.eu](http://www.ryobitools.eu). Teave tööriista võimaliku pikendatud garantiaaja kohta on selgelt esile toodud poodides ja/või pakendil / ning see sisaldub toote dokumentatsioonis. Lõpftarbija peab registreerima oma uued tööriistad interneti teel 30 päeva jooksul pärast ostopäeva. Lõppkasutaja võib registreerida pikendatud garantiaaja saamiseks oma elukohariigis, kui veebis olevas registreerimisvormis on see valik lubatud. Lisaks peavad kasutajad andma oma nõusoleku veebis nõutud sisestatavate andmete säilitamiseks ning nad peavad nõustuma tingimustega. E-posti teel saadetak registreerimise kinnitus ja arve originaal, kus on näha ostu sooritamise kuupäev, on pikendatud garantiaaja töestuseks.
3. Garantii katab kõik defektid toote garantiaaja jooksul, kui ostu kuupäeval ilmnevad talitus- või materjalivead. Garantii piirub toote remondi ja/ või väljavahetamisega ning ei sisalda muid kohustusi, muu hulgas ettenägematuid või kaudseid kahjusid. Garantii ei kehti, kui toodet ei ole kasutatud sihtotstarbelselt või kooskõlas kasutusjuhendiga või see on valesti ühendatud. Garantii ei kehti järgmistel põhjustel:
  - toode on kahjustatud vale hoolduse tõttu
  - toodet on muudetud
  - toote algupäraseid identifitseerimismärgised (kaubamärk, seerianumber) on rikutud, muudetud või eemaldatud
  - kahju on tekkinud kasutusjuhendi mittejärgimisest
  - tootel puudub CE-märgis
  - toodet on püüdnud remondida vastavalt kvalifikatsiooni mitte omav isik või ilma firma Technonic Industries eelneva loata.
  - toode on ühendatud valesse tööalaiklasse (voolutugevus, pinge, sagedus)
  - tootega kasutati sobimatut kütusesegu (kütus, õli, õli protsent)
  - välismõjude (keemilised, füüsikalised, elektrilöögid) või võrkehade tekitatud kahju
  - tavapärase kulumine ja katkised varuosad
  - ebaõige kasutamine, tööriista ülekoormamine
  - heakskiitmata tarvikute või osade kasutamine
  - Karburaatorite korralised reguleerimistööd või hooldus- ja puhastustööd
  - Komponentid (osad ja tarvikud), mida iseloomustab kulumine ja vananemine, muu hulgas puutenupud, kiilrihmad, sidur, hekilõikurite või murrumüüdkite lõiketerad, rakmed, gaasistross, süsinikharijad, toitejuhe, freesiterad, viildist selbid, tihtivid, õhuvventilaatorid, puhuri- ja imuritord, kogumiskott ja riimad, juhikud, saeketid, voolikud, liitmikud, pihusti otsakud, rattad, pritsi varred, sisemisised poolid, välismised poolid, jõhvivid, süüteküünlad, õhufiltrid, gaasifiltrid, multšimisterad jne.
4. Hoolduseks peab toote saatma või viima RYOBI volitatud teenindusse, mille aadressi leiata järgnevast teeninduspunkti nimekirjast vastava riigi alt. Mõnedes riikides võtab kohalik RYOBI edasimüüja enda kanda kohustuse saata toode RYOBI teenindusorganisatsiooni. Toote saatmisel RYOBI teenindusse peab toode olema ohutult pakitud ja ei tohi sisaldada ohtlikke aineid (nt bensiini), kirjas peab olema saatja aadress ja lisatud vea lühikirjeldus.
5. Garantii alusel tehtavad remonditööd / asendamine on tasuta. See ei pikenda garantii kehtivusaega ega tähistava ühe garantiaaja algust. Väljavahetatud osad või tööriistad kuuluvad meile. Mõnedes riikides maksab kätteoimetamis- ja postikulud saatja. Teile jäävad kehtima tööriista ostust tulenevad seadusjärgsed õigused
6. See garantii kehtib Euroopa Liidus, Šveitsis, Islandil, Norras, Liechtensteinis, Türgis, Venemaal ja Ühendkuningriigis. Väljaspool neid piirkondi võtke ühendust volitatud RYOBI edasimüüjaga, et teha kindlaks kas kehtib mõni teine garantii.

## VOLITATUD HOOLDUSKESKUS

Tootega seotud päringute või probleemide korral pöörduge kohaliku volitatud hoolduskeskuse poole (vt [www.ryobitools.eu](http://www.ryobitools.eu)) või otse aadressile: Technonic Industries GmbH, Max Eyth Straße 10, 71364 Winnenden, Germany. Märkige ära sildil olev seerianumber ja toote tüüp.

## HR UVJETI PRIMJENE JAMSTVA TVRTKE RYOBI®

Osim svim zakonskim pravima koja proizlaze iz kupnje, ovaj je proizvod pokriven jamstvom kako je navedeno u nastavku.

1. Jamstveno razdoblje za potrošače traje 24 mjeseca i počinje s datumom na koji je proizvod kupljen. Taj datum mora se dokumentirati računom ili drugim dokazom o kupnji. Proizvod je konstruiran i namijenjen samo za privatnu upotrebu korisnika. Stoga se jamstvo ne daje u slučaju profesionalne ili komercijalne uporabe.
2. Postoji mogućnost da se za dio asortimana vrtnih alata pokretanih izmjeničnom strujom (AC/DC) produži goro navedeno jamstveno razdoblje putem registriranja na mrežnom mjestu [www.ryobitools.eu](http://www.ryobitools.eu). Uvjeti koje je potrebno zadovoljiti kako bi se produžilo jamstveno razdoblje jasno su istaknuti u prodavaonici a i / ili na pakiranju / i nalaze se unutar dokumentacije proizvoda. Krajnji korisnik mora registrirati svoje novo kupljene alate na mreži u roku od 30 dana od datuma kupnje. Krajnji korisnik može se registrirati za produženo jamstvo u svojoj zemlji boravišta ako se nalazi na popisu u mrežnom obrascu za registraciju gdje je ta opcija važeća. Nadalje, krajnji korisnici moraju dati svoj pristanak na pohranu podataka koji su potrebni za mrežni ulazak i moraju prihvatiti odredbe i uvjete. Potvrda o prijemu registracije, koja se šalje putem e-pošte, kao i originalni račun s vidljivim datumom kupnje poslužit će kao dokaz proizduženog jamstva.
3. Jamstvo pokriva sve nedostatke proizvoda tijekom jamstvenog razdoblja koji su nastali zbog neispravnosti prilikom izrade ili materijala s datumom kupnje. Jamstvo je ograničeno na popravak i/ili zamjenu i ne obuhvaća nikakve druge obveze, uključujući, ali ne ograničavajući se na slučajne ili posljedice štete. Jamstvo ne vrijedi ako je proizvod bio zlorabljivan, korišten u suprotnosti s priručnikom s uputama ili ako je pogrešno spojen. Ovo jamstvo ne primjenjuje se na:
  - svako oštećenje proizvoda koje je rezultat nepravilnog održavanja
  - svaki proizvod koji je izmijenjen ili modificiran
  - svaki proizvod gdje su originalne identifikacijske oznake (zaštitni znak, serijski broj) izbrisane, zamijenjene ili uklonjene
  - svako oštećenje uzrokovano nepridržavanjem korisničkog priručnika
  - svaki proizvod koji nije CE
  - svaki proizvod koji je pokušao popraviti nekvalificirani profesionalac ili bez prethodnog odobrenja od strane Technonic Industries
  - svaki proizvod priključen na nepravilno napajanje energijom (amperi, napon, frekvencija)
  - Svaki proizvod korišten s neodgovarajućom mješavinom (gorivo, ulje, potstok ulja)
  - svako oštećenje uzrokovano vanjskim utjecajima (kemijsko, fiziko, udar) ili stranim stvarima
  - normalno trošenje i habanje rezervnih dijelova
  - nepravilno korištenje, preopterećenje alata
  - korištenje neodobrenog dodatnog pribora ili dijelova
  - rasplinjača nakon 6 mjeseci, podešavanje rasplinjača nakon 6 mjeseci
  - komponente (uključivo i dodatni pribor) koji su predmet prirodnog trošenja i habanja, uključujući no ne ograničavajući se na gume za otuštanje, pogonske remene, spojku, oštrice trimera za grmlje ili kosilicu, kope, sađe gasa, ugljene četke, kabele za napajanje, noževe, podloške, ztike za zglobnu vezu, ventilatore puhalice, cijevi za ispuhivanje i usisavanje, vakuumske vrećice i trake, vodilice, lance pile, crijeva, priključene elemente, mlaznice za raspršivanje, kotače, koplja za raspršivanje, unutarnje kolote, vanjske kaleme, flaksove, svjećice, filtre za zrak, filtre za plin, oštrice za usitnjavanje itd.
4. Za potrebe servisiranja, proizvod se mora poslati ili odnijeti u ovlaštenu servisnu postaju tvrtke RYOBI navedenu na sljedećem popisu s adresama servisnih postaja u svakoj zemlji. U nekim zemljama, vaš lokalni RYOBI zastupnik obvezuje se da će poslati proizvod u servisnu organizaciju tvrtke RYOBI. Kada se proizvod šalje u neku servisnu postaju tvrtke RYOBI, proizvod se mora sigurno pakirati bez ijednog od opasnih sadržaja kao što je benzin, na njemu mora pisati adresa pošiljatelja i mora biti popraćen kratkim opisom kvara.
5. Popravak / zamjena pod ovim jamstvom su besplatni. Oni ne predstavljaju produženje ili novi početak jamstvenog razdoblja. Zamijenjeni dijelovi ili alati postaju naše vlasništvo. U nekim državama troškove isporuke ili poštarinu mora platiti pošiljatelj. Vaša zakonska prava koja proizlaze iz kupnje alata ostaju nepromijenjena
6. Ovo jamstvo je valjano u zemljama Europske zajednice, Švicarskoj, Islandu, Norveškoj, Lihtenštajnu, Turskoj, Rusiji i Ujedinjenoj Kraljevini. Izvan tih područja vas molimo da se obratite svojem ovlaštenom zastupniku tvrtke RYOBI kako biste utvrdili primjenjuje li se drugo jamstvo.

## OVLASŦENI SERVISNI CENTAR

Za svaki zahtjev ili problem s proizvodom možete se obratiti vašim ovlaštenim servisnim centrima (posjetite adresu [www.ryobitools.eu](http://www.ryobitools.eu)) ili izravno na: Technonic Industries GmbH, Max Eyth Straße 10, 71364 Winnenden, Germany. Navedite serijski broj i vrstu proizvoda ovisno na naljepnici.

## SL POGOJI ZA VELJAVNOST GARANCIJE RYOBI®

Poleg morebitnih zakonsko določenih pravic, ki izvirajo iz nakupa, za ta izdelek velja spodaj navedena garancija.

- Garancijsko obdobje je za potrošnike 24 mesecev in začne teči z dnem nakupa izdelka. Ta datum mora biti dokumentiran z računom ali drugim dokazilom o nakupu. Izdelek je zasnovan in namenjen izključno za potrošniško zasebno uporabo. V primeru strokovne oziroma komercialne uporabe izdelka garancija ne velja.
- Obstaja možnost podaljšanja garancije na del naše ponudbe vrtnih orodij (AC/DC) prek obdobja garancije, opisanega zgoraj, s pomočjo registracije na spletnem mestu [www.ryobitools.eu](http://www.ryobitools.eu). Ustreznost orodij za podaljšanje garancijskega obdobja je jasno prikazana v trgovinah in/ali na embalaži oziroma je navedena v dokumentaciji izdelka. Končni uporabnik mora registrirati svoje novo orodje na spletu v 30 dneh po datumu nakupa. Končni uporabnik lahko registrira podaljšano garancijo v svoji državi bivanja, če je na obrazcu spletne registracije navedeno, da ta možnost velja za njegovo državo. Poleg tega morajo končni uporabniki podati svoje soglasje za shranjevanje podatkov, ki so potrebni za spletni dostop in morajo sprejeti pogoje in določila uporabe spletnega mesta. Potrdilo o registraciji, ki ga pošljemo prek e-pošte, in originalni račun, ki prikazuje datum nakupa, služita kot dokazilo o podaljšani garanciji.
- Garancija krije vse okvare izdelka, do katerih pride v garancijskem obdobju zaradi napak v izdelavi ali materialu, ki so bile prisotne ob datumu nakupa. Garancija je omejena na popravilo in/ali zamenjavo in ne vključuje nobenih drugih obveznosti, med drugim vključno z naključno ali posledično škodo. Garancija ne velja, če je bil izdelek napačno uporabljen, uporabljen v nasprotju z navodili iz priložnice za uporabo ali če ni bil pravilno povezan. Ta garancija ne velja za:
  - škodo na izdelku, ki je posledica neustreznega vzdrževanja
  - spremenjen ali prilagojen izdelek
  - izdelek, katerega originalna identifikacijska oznaka (blagovna znamka, serijska številka) je bil poškodovan/a, spremenjena ali odstranjena
  - škodo, ki je posledica neupoštevanja navodil iz priložnice za uporabo
  - izdelek, ki nima oznake CE
  - izdelek, ki ga je poskušal popraviti ne kvalificiran strovarnjak ali ki je bil popravljen brez predhodne odobritve s strani družbe Technonic Industries.
  - izdelek, ki je bil povezan na neustrezno napajanje (amperska moč, napetost, frekvenca)
  - izdelek, ki je bil uporabljen z neustrezno mešanico goriva (gorivo, olje, odstotek olja)
  - škodo, ki jo povzročijo zunanji vplivi (kemični, fizični, mehanski) ali tuje snovi
  - rezervne dele, ki so podvrženi običajni uporabi
  - neprimerno uporabo, preobremenitev orodja
  - uporabo neodobrenih dodatkov ali delov
  - Vsako redno prilagajanje ali vzdrževalno čiščenje uplinjačev
  - Komponente (sestavni in rezervni deli), ki so podvrženi običajni obrabi, med drugim vključno z gumbi odbijača, pogonskimi jermeni, sklopko, rezili obrezovalnikov za žive meje ali kosilnic za trato, nosilnimi pasovi, kablji, dušilnimi ventili, oglikovimi krtačkami, napajalnimi kablji, zobci, tesnili iz flica, veznimi zatiči, ventilatorji pihalnika, cevmi pihalnika in sesalnika, vrečko in pasovi sesalnika, vodilnimi palicami, verigami motorne žage, cevmi, priključki, razpršilnimi šobami, kolesi, razpršilnimi palicami, notranjimi kolesci, zunanji motki, rezalnimi vrvicami, vzglajnimi svečkami, zračnimi filtri, plinskimi filtri, rezili za mulčenje itd.
- Za servisiranje morate izdelek poslati ali prinesiti v pooblaščen servisni center družbe RYOBI, ki je naveden za vsako državo na naslednjem seznamu naslovov servisnih centrov. V nekaterih državah se vaš lokalni posrednik družbe RYOBI obveže, da bo poslal izdelek na servis družbe RYOBI. Ko pošiljate izdelek v servisni center družbe RYOBI, mora biti izdelek varno zapakiran in ne sme vsebovati nobenih nevarnih snovi, kot je npr. bencin, opremljen pa mora biti z naslovom pošiljatelja in vsebovati kratek opis napake.
- Popravilo/zamenjava v skladu s to garancijo sta brezplačni storitvi. To pa ne predstavlja podaljšanja ali ponovnega začetka garancijskega obdobja. Zamenjani deli ali orodja postanejo naša last. V nekaterih državah stroške dostave ali poštno plača pošiljatelj. Vaše zakonsko določene pravice, ki izvirajo iz nakupa orodja, ostajajo nespremenjene.
- Ta garancija velja v Evropski skupnosti, Švici, na Islandiji, Norveškem, v Lichtenštajnu, Turčiji, Rusiji in Združenem kraljestvu. Izven teh območij se obrnite na svojega pooblaščenega posrednika izdelkov RYOBI, dealer ki vam bo povedal, ali velja kakšna druga garancija.

### POOBLAŠČEN SERVISNI CENTER

V primeru zahtev ali težav v zvezi z izdelkom se lahko obrnete na lokalne pooblaščenne servisne centre ([obiside.www.ryobitools.eu](http://obiside.www.ryobitools.eu)) ali neposredno na: Technonic Industries GmbH, Max Eyth Straße 10, 71364 Winnenden, Germany, Prosimo, da navedete serijsko številko in tip izdelka, ki sta natisnjena na oznaki.

## SK ZÁRUČNÉ PODMIENKY RYOBI®

Na tento výrobok sa okrem všetkých zákonných práv, vyplývajúcich z nákupu, vzťahuje záruka v nasledovnom znení.

- Záručná doba pre spotrebiteľa je 24 mesiacov a začína plynúť odo dňa, keď bol výrobok zakúpený. Tento dátum musí byť doložený faktúrou alebo iným dokladom o zakúpení. Výrobok je navrhnutý a určený pre spotrebiteľov a len na súkromné používanie. Preto sa záruka sa neposkytuje v prípade použitia na profesionálne a komerčné účely.
- V prípade záručného náradia (na striedavý/jednosmerný prúd AC/DC), existuje možnosť predĺženia záručnej doby oproti záručnej dobe, uvedenej vyššie, s využitím on-line registrácie na webovej stránke [www.ryobitools.eu](http://www.ryobitools.eu). Označenie na náradi o nároku na predĺženie záručnej doby je zreteľne uvedené v obchodoch a/alebo na obale a je uvedené v dokumentácii k výrobku. Koncový používateľ musí zaregistrovať svoje novozískané náradie on-line do 30 dní odo dňa nákupu. Koncový používateľ sa môže zaregistrovať na predĺženie záruku v krajine svojho bydliska, ak je v on-line registračnom formulári uvedená táto možnosť. Ďalej musia koncoví používatelia ešte dať svoj súhlas k uchovávaniu údajov, ktoré je potrebné zadať on-line a musia súhlasiť s podmienkami. Potvrdenie o prijatí registrácie, ktorý je zaslané e-mailom a original faktúry, v ktorej je uvedený dátum nákupu, slúžia ako dôkaz o predĺženej záruke.
- Záruka sa vzťahuje na všetky poruchy výrobku v záručnej dobe, spôsobené chybami materiálů alebo spracovania k dátumu nákupu. Táto záruka je obmedzená na opravu a/alebo výmenu a nezahŕňa ďalšie povinnosti, vrátane, okrem iných, náhodné alebo následné škody. Táto záruka je neplatná, ak bol výrobok nesprávne používaný, bol používaný v rozpore s návodom na použitie alebo bol nesprávne zapojený. Táto záruka sa nevzťahuje na:
  - akékoľvek poškodenie výrobku, ktoré bolo spôsobené nesprávnou obsluhou
  - akýkoľvek výrobok, ktorý bol zmenený alebo upravený
  - akýkoľvek výrobok, na ktorom bolo poškodené, upravené alebo odstránené identifikačné označenie (ochranná známka, výrobné číslo)
  - akékoľvek škody, spôsobené nedodržením návodu na obsluhu
  - akýkoľvek výrobok, ktorý neobsahuje označenie CE
  - akýkoľvek výrobok, ktorý sa pokúšal opraviť ne kvalifikovaný odborník alebo bol opravený bez predchádzajúceho súhlasu zo strany spoločnosti Technonic Industries.
  - akýkoľvek výrobok, pripojený k nesprávnemu napájaciemu zdroju (ampéry, napätie, frekvencia)
  - akýkoľvek výrobok, používaný s nesprávnou palivovou zmesou (palivo, olej, percento oleja)
  - akékoľvek poškodenia, spôsobené vonkajšími vplyvmi (chemickými, fyzikálnymi, nárazmi) alebo cudzoročnými látkami
  - bežné opotrebovanie náhradných dielov
  - nehodné použitie, preťažovanie nástroja
  - používanie neschváleného príslušenstva a dielov
  - Akékoľvek pravidelné úpravy alebo čistenie karburátorov, vykonávaných vrámi údržby
  - Súčiastky (diely a príslušenstvo), ktoré podliehajú prirodzenému opotrebeniu, okrem iných, otočné gombíky, hnače remene, spojka, nože na nožnice na živý plot alebo kosačku na trávu, poruhy, lanko škrtiace klapky, uhľiky, napájací kábel, radičky, plstené podložky, závesné klince, lopatky fúkačov, trubice vysávača a fúkača, vak do vysávača a popruhy, vodiace lišty, retazové pily, hadice, spojovacie armatúry, trysky, kolesá, striekacie rúry, vnútorné cievy, vonkajšie cievy, žacie lanká, zapalovacie sviečky, vzduchové filtre, benzínové filtre, mulčovacie nože atď.
- Na opravu musí byť výrobok odoslaný alebo doručený do autorizovaného servisného strediska RYOBI, uvedeného pre každú krajinu v nasledovnom zozname adries servisných stredísk. V niektorých krajinách miestny zástupca RYOBI preberá na seba záväzok zasiať tovar do servisnej organizácie RYOBI. Pri odoslaní výrobku do servisného strediska RYOBI je potrebné výrobok bezpečne zabaliť bez akéhokoľvek nebezpečného obsahu, ako je benzín, s vyznačením adresy odosielaťa, s krátkym popisom poruchy.
- Oprava/výmena je vrámi tejto záruky bezplatná. Neznamená to predĺženie záruky alebo splnenie novej záručnej doby. Vymenené diely alebo nástroje sa stávajú našim vlastníctvom. V niektorých krajinách náklady na odoslanie alebo poštovné musí zaplatiť odosielať. Vaše zákonné práva, vyplývajúce z nákupu náradia, zostávajú nedotknuté
- Táto záruka je platná v Európskych spoločenstvách, Švajčiarsku, Islande, Nórsku, Lichtenštajnsku, Turecku, Rusku a Spojenom kráľovstve. Ak sa nachádzate mimo týchto oblastí, obráťte sa na autorizovaného predajcu RYOBI na určenie, či sa dá uplatniť iná záruka.

### AUTORIZOVANÉ SERVISNÉ CENTRUM

Všetky žiadosti alebo problémy s výrobkom možno adresovať miestnym autorizovaným servisným strediskám (navštívte [www.ryobitools.eu](http://www.ryobitools.eu)) alebo priamo na: Technonic Industries GmbH, Max Eyth Straße 10, 71364 Winnenden, Germany. Uvedte sériové číslo a typ výrobku uvedené na etikete.

## **BG** УСЛОВИЯ ЗА ВАЛИДНОСТ НА ГАРАНЦИЯТА НА RYOBI®

В допълнение към законоустановените права, прозизтичащи от покупката, този продукт е обхванат от гаранция, както е изложено по-долу.

- Гаранционният срок е 24 месеца за клиенти и започва да тече от деня на закупуване на продукта. Тази дата трябва да се докаже с фактура или друго доказателство за покупка. Продуктът е изработен и предизначен само за потребителска и лична употреба. Следователно не се дава гаранция в случай на използване от професионалисти или с търговска цел.
- Съществува възможност за удължаване на гаранционния срок за част от диапазона на гаранцията на градински инструменти (AC/DC) след изчитане на описания тук чрез регистрация на уеб сайта [www.ryobitools.eu](http://www.ryobitools.eu). В магазините и/или на опаковката или вътре в документацията на продукта е показано ясно дали инструментът отговаря на условията за такова удължаване на гаранционния срок. Крайният потребител трябва да регистрира своите новопридобити инструменти онлайн в рамките на 30 дни от датата на покупка. Крайният потребител може да се регистрира за удължена гаранция в държавата си на пребиваване, ако е посочена във формуляра за онлайн регистрация като място, където тази опция е валидна. Освен това крайните потребители трябва да дадат съгласието си за съхранение на данните, които са задължителни за ползване онлайн, и трябва да приемат общите условия. Полученото потвърждение за регистрация, изпратено по електронна поща, и оригиналната фактура, показваща датата на покупка, ще служат като доказателство за удължената гаранция.
- Гаранцията покрива всички дефекти на продукта по време на гаранционния срок, които се дължат на проблеми в изработката или материалите към момента на покупката. Гаранцията е ограничена до ремонт и/или замяна и не включва други задължения, включително, но не само, случайни или косвени щети. Гаранцията е невалидна, ако продуктът е използван неправилно или в противоречие с ръководството с инструкции, както и ако е свързан неправилно. Тази гаранция не важи за:
  - щети по продукта в резултат на неправилна профилактика
  - продукти, които са били изменени или модифицирани
  - продукт, при който оригиналните маркировки за идентификация (търговска марка, серийн номер) са изтрили, променени или премахнати
  - повреда, причинена от неспазване на ръководството с инструкции
  - продукт без CE маркировка
  - продукт, за който е направен опит за ремонт от неквалифициран специалист или без предварително разрешение от Techtronic Industries.
  - продукт, свързан към неподходящо електрозахранване (ампераж, волтаж, честота)
  - продукт, използван с неподходяща горивна смес (гориво, масло, процент масло)
  - щети, причинени от външни влияния (химични, физични, удари) или чужди вещества
  - нормално износване на резервни част
  - неподходяща употреба, претоварване на инструмента
  - използване на неодоборени аксесоари или частиВсякакви периодични настройки или почистване с цел извършване на поддръжка на карбуратори
- Компоненти (част и аксесоари), подложени на естествено износване, включително, но не само, копчета за тласкане, задвижващи ремъци, съединител, остриета на ножици за жив плет или косачки за трева, презарки, кабелен дросел, карбонови четки, захранващ кабел, остриета, филцови шайби, осигурителни щифтове, вентилатори на уреди за обдухване, тръби за обдухване и всмукване, торба за отпадъци и ремъци, водещи шини, вериги за триони, маркучи, фитинги на конектори, дюзи, копела, пръскалки, вътрешни и външни макари, режещо влакно, запалителни свещи, въздушни филтри, горивни филтри, остриета за мулчиране и др.
- За обслужване продуктът трябва да се изпрати или занесе на авторизиран сервиз на RYOBI, посочен за всяка държава в следния списък с адреси на сервиси. В някои държави местният търговец на RYOBI поема отговорността да изпрати продукта до сервизен център на RYOBI. При изпращане на продукт до сервиз на RYOBI той трябва да е опакован безопасно без опасно съдържание, напр. бензин, да е маркиран с адреса на подателя и придружен от кратко описание на повредата.
- Ремонтът/замяната по силата на тази гаранция са безплатни. Те не водят до удължаване или подновяване на гаранционния срок. Сменените части или инструменти стават наша собственост. В някои държави таксите за доставка или изпращане трябва да се платят от подателя. Законоустановените ви права, прозизтичащи от закупуването на инструмента, остават незаосенгати
- Тази гаранция е валидна в Европейската общност, Швейцария, Исландия, Норвегия, Лихтенщайн, Турция и Обединеното кралство. Извън тези области се свържете с упълномощения търговец на RYOBI, за да се установи дали е приложима друга гаранция.

### **УПЪЛНОМОЩЕН СЕРВИЗЕН ЦЕНТЪР**

Всички заявки или проблеми, свързани с продукта, могат да бъдат отправяни към местните упълномощени сервизни центрове (посетете [www.ryobitools.eu](http://www.ryobitools.eu)) или директно до: Techtronic Industries GmbH, Max Eyth Straße 10, 71364 Winnenden, Germany. Посочете серийния номер и типа на продукта, отпечатани върху етикета.

## **UK** ГАРАНТИЙНИ УМОВИ ДЛЯ RYOBI®

Окрім загалом установлених законом прав, що стосуються покупки, цей пристрій покривається гарантією, що зазначено нижче.

- Гарантійний період для споживачів складає 24 місяці і починається з моменту придбання цього пристрою. Ця дата повинна бути задокументована у гарантійному талоні або чеку, що підтверджує покупку. Цей пристрій був розроблений і призначений тільки для споживчого та приватного використання. У разі професійного або комерційного використання цього пристрою, він втрачає гарантію.
- Існує можливість продовжити гарантійний період, понад період описаний вище, для частини лінійки садових інструментів (перемінного/постійного струму) за допомогою реєстрації на сайті [www.ryobitools.eu](http://www.ryobitools.eu). Пристрої, які мають право на подовження гарантійного періоду, мають чіткі позначки щодо цього в магазинах і/або на упаковці і та документация до пристрою. Кінцевий користувач повинен зареєструвати його/її новопридбаний пристрій онлайн протягом 30 днів з дати покупки. Кінцевий користувач може зареєструватися для подовження гарантійного періоду в своїй країні постійного перебування, якщо вона є доступною у відповідній опції онлайн форми реєстрації. Крім того, кінцеві користувачі повинні дати свою згоду на зберігання даних, які необхідні для введення онлайн, а також вони повинні прийняти правила та умови. Отримання підтвердження реєстрації, яке відправляється на адресу електронної пошти, та оригінал гарантійного талона і зазначеною датою покупки буде слугувати доказом подовженої гарантії.
- Гарантія поширюється на всі дефекти пристрою протягом гарантійного терміну щодо недотримання стандартів виробництва або матеріалів на дату придбання. Гарантія обмежується ремонтом та/або заміною, та не включає в себе будь-яких інших зобов'язань, в тому числі, але не обмежена у разі випадкових та подальших пошкоджень. Гарантія не діє, якщо пристрій використовувався неналежним чином, всупереч інструкції з експлуатації або був неправильно підключений до мережі. Дана гарантія не поширюється на:
  - пристрої, що були пошкоджені у результаті неправильного технічного обслуговування;
  - пристрої, що були видозмінені або модифіковані;
  - пристрої, оригінальне ідентифікаційне (товарний знак, серійний номер) маркування яких було пошкоджене, змінено або видалено;
  - будь-які пошкодження, заподіяні недотриманням інструкції з експлуатації;
  - пристрої, що не мають маркування CE;
  - пристрої, що були відремонтовані некваліфікованим фахівцем або за відсутності попереднього дозволу від Techtronic Industries;
  - пристрої, підключені до невідповідного джерела живлення (сила току, напруження, частота);
  - пристрої, що використовувалися і невідповідно паливною сумішшю (паливом, оливою, відсотковою часткою оливи);
  - будь-які пошкодження спричинені зовнішнім впливом (хімічним, фізичним, стрибком напруги) або сторонніми речовинами;
  - нормальну амортизацію запасних частин;
  - невідповідне використання, перевантаження пристрою;
  - використання непідтверджених запасних частин або аксесуарів;
  - Будь-які періодичні коригування або технічне очищення карбураторів
  - Компоненти (частини та аксесоари) з урахуванням нормального зношування, враховуючи але без обмеження на імпульсні кнопки, ремені приводу, зчеплення, лева кушоріза або газонокосарки, ремені, троси дросельного клапану, вугільні штиці, шнури живлення, зубці, фетрові підкладки, зчіпні штири, вентилятори повітрорудки, труби паливосоа та повітрорудки, вакуумні мішки та накладки, напрямні, ланцюги, гнучкі шланги, з'єднувальні фитинги, розпилювальні насадки, колеса, жорсткі сопла, внутрішні котушки, зовнішні золотники, ріжучу волосін, свічки запалення, повітряні фільтри, протизагусні фільтри, мульчувальні лева, т.д.
- Для обслуговування, пристрій має бути відправлений або поданий до одного з авторизованих сервісних центрів RYOBI, які перелічені для кожної країни у наступному переліку адрес сервісних центрів. У деяких країнах місцевий дилер RYOBI зобов'язується відправити пристрій до сервісного центру RYOBI. При відправленні пристрою до сервісного центру RYOBI, пристрій має бути надійно упакований без будь-якого небезпечного вмісту, наприклад Бензину, з позначеною адресою відправника та супроводжуватися коротким описом несправності.
- Ремонт / заміна відповідно до цієї гарантії здійснюється безкоштовно. Це не є основою для подовження або початку нового гарантійного періоду. Замінені частини або прилади переходять до власності компанії. У деяких країнах вартість доставки або поштові витрати повинні бути сплавлені відправником. Загально встановлені права покупця на пристрій залишаються незмінними
- Ця гарантія є діючою у країнах, членах ЄС, Швейцарії, Ісландії, Норвегії, Лихтенштейні, Туреччині, Росії та Великій Британії. За межами цих зон, будь ласка, зверніться до офіційного дилера RYOBI, щоб визначити, чи застосовується інша гарантія.

### **АВТОРИЗОВАНІ СЕРВІСНІ ЦЕНТРИ**

З будь-яких питань або проблем, пов'язаних з пристроєм, ви можете звернутись до місцевих авторизованих сервісних центрів (відвідайте [www.ryobitools.eu](http://www.ryobitools.eu)) або напрямку до: Techtronic Industries GmbH, Max Eyth Straße 10, 71364 Winnenden, Germany. Будь ласка, вкажіть серійний номер та тип продукту, вказані на етикетці.

## TR RYOBI® GARANTİ UYGULAMA KOŞULLARI

Alımdan kaynaklanan yasal haklara ek olarak, ürün aşağıda belirtilen garanti kapsamındadır.

1. Tüketiciler için 24 ay olan garanti süresi, ürünün satın alındığı tarihte başlar. Bu tarihin bir fatura ya da alım kanıtıyla belgelenmesi gerekir. Ürün sadece tüketim ve özel kullanım için geliştirilmiş ve adanmıştır. Bu nedenle, profesyonel ya da ticari kullanım halinde garanti kapsamı sağlanmaz.
2. Bahçe aletlerinin bir bölümü (AC/DC) için [www.ryobitools.eu](http://www.ryobitools.eu) sayfasındaki kayıt işlemini kullanarak garantinin belirtilen sürenin ötesine uzatma imkanı mevcuttur. Aletlerin garanti süresinin uzatılmasına uygun olup olmadığı mağazalarda ve / veya ambalajda açıkça belirtilmiş olup, ürün dokümantasyonunda gösterilir. Son kullanıcının yeni aldığı aletleri satın alma tarihini izleyen 30 gün içinde kaydettirmesi gerekir. Son kullanıcı ikamet ettiği ülkede, bu seçeneğin geçerli olduğu çevrimiçi kayıt formunda belirtilmişse, uzatılmış garanti süresi için kayıt yaptırabilir. Dahası, son kullanıcıların çevrimiçi giriş için gerekli verilerin kaydedilmesine izin vermeli ve hüküm ve koşulları kabul etmelidir. E-posta ile gönderilen kayıt teyit makbuzu ve alım tarihini gösteren orijinal fatura uzatılmış garantinin kanıtı olarak değerlendirilir.
3. Garanti, ürünün alım tarihindeki işçilik ve malzeme kusurları nedeniyle garanti süresi içinde oluşacak bütün arızalarını kapsar. Bu garanti onarım ve değiştirmeyle sınırlı olup, tesadüfi ya da dolaylı hasarlar da dahil, ancak bunlarla kısıtlı olmayan başka hiçbir taahhüdü kapsamaz. Garanti, ürünün kötü, kullanıcı kılavuzuna aykırı kullanılmış ya da yanlış bağlanmış olması halinde geçerli değildir. Bu garanti aşağıdakileri kapsamaz:
  - üründe, yanlış bakımdan kaynaklanan herhangi bir hasar
  - değiştirilmiş ya da modifiye edilmiş herhangi bir ürün
  - orijinal tanıtmı işaretleri (ticari marka, seri numarası) silinmiş, değiştirilmiş ya da kaldırılmış herhangi bir ürün
  - kullanma kılavuzuna uymamaktan kaynaklanmış herhangi bir hasar
  - herhangi bir AT dışı ürün
  - kalifiye olmayan personel tarafından ya da önceden Techtronic Industries onayı alınmadan onarılmış herhangi bir ürün.
  - uygunsuz güç kaynağına (amper, voltaj, frekans) bağlanmış herhangi bir ürün
  - uygunsuz bir yakıt karışımıyla (yakıt, yağ, yap yüzdesi) kullanılmış herhangi bir ürün
  - harici etkenlerden (kimyasal, fiziksel, darbe) veya yabancı cisimlerden kaynaklanan her türlü hasar
  - normal aşınır ve yıpranır aksam
  - uygunsuz kullanım, aletin aşırı yüklenmesi
  - onaysız aksesuar veya parça kullanımı
  - Karbüratörlere uygulanacak her türlü periyodik ayar, bakım veya temizlik
  - Darbe Düğmeleri, Tahrik Kayışları, Kavrama, Çit Budama ya da Çim Bıçme Makinelerinin Bıçakları, Kayış Koşumlar, Kablo Gaz, Kömür Fırçalar, Güç Kablo, Dişler, Keçe Rondelalar, Bağlantı Pimleri, Üfleyci Pervaneleri, Üfleyci ve Vakum Boruları, Vakum Torbası ve Kayışları, Kılavuz Çubuklar, Zincir Testere, Hortumlar, Konektör bağlantıları, Püskürtme Memeleri, Çarklar, Püskürtme Çubukları, Dahili Makaralar, Harici Makaralar, Kesme Telleri, Bujiler, Hava Filtreleri, Gaz Filtreleri, Malçlama Bıçakları vb. gibi parçaları kapsayan, ancak bunlarla sınırlı olmayan, aşınma ve yıpranmaya tabi bileşenler (aksam ve aksesuarlar).
4. Ürünün servis için her ülkede aşağıdaki servis istasyonları adres listesinde yer alan yetkili bir RYOBI servis istasyonuna gönderilmesi ya götürülmesi gereklidir. Bazı ülkelerde, yerel RYOBI distribütörünüz ürünü RYOBI servis teşkilatına göndermeyi üstlenir. Bir ürün bir RYOBI servis istasyonuna gönderilirken, ürünün güvenli bir biçimde ambalajlanması, benzin gibi tehlikeli maddeler içermemesi, gönderenin adresini taşıması ve arızanın kısa bir açıklamasını içermesi gerekir.
5. Bu garanti kapsamında yapılacak onarım / değişiklik ücretsizdir. Garanti süresinin uzatılması ya da yeniden başlatılması anlamına gelmez. Değiştirilmiş parçalar veya aletler bize ait olur. Bazı ülkelerde teslim ücretleri veya posta giderlerinin gönderici tarafından ödenmesi gerekir. Alımdan kaynaklanan yasal haklarınız etkilenmez
6. Bu garanti Avrupa Birliği'nde, İsviçre, İzlanda, Norveç, Lihtenştayn, Türkiye, Rusya ve Birleşik Krallık'ta geçerlidir. Bu alanların dışında, başka bir garantinin geçerli olup olmadığını belirlemek için lütfen yetkili RYOBI distribütörünüzle irtibata geçin.

### YETKİLİ SERVİS MERKEZİ

Ürüne ilgili her türlü talep ve sorun yerel yetkili servis merkezlerine ([www.ryobitools.eu](http://www.ryobitools.eu) adresini ziyaret edin) veya doğrudan aşağıdaki şekilde iletilebilir: Techtronic Industries GmbH, Max Eyth Straße 10, 71364 Winnenden, Germany. Lütfen etikette yer alan seri numarasını ve ürün tipini belirtin.

## EN DECLARATION OF CONFORMITY

### Cordless hedge trimmer

Brand: RYOBI | Model number<sup>1</sup> | Serial number range<sup>2</sup>

We declare as the manufacturer under our sole responsibility that the product mentioned below fulfills all the relevant provisions of the following European Directives, European Regulations and harmonised standards<sup>3</sup>

RY18HT45A  
Measured sound power level..... 90.4 dB(A)  
Guaranteed sound power level..... 93 dB(A)

RY18HT50A  
Measured sound power level..... 89.6 dB(A)  
Guaranteed sound power level..... 92 dB(A)

Conformity assessment method to Annex V Directive 2000/14/EC amended by 2005/88/EC.

Authorised to compile the technical file.<sup>4</sup>

## FR DÉCLARATION DE CONFORMITÉ

### Taille-haies Sans-fil

Marque: RYOBI | Numéro de modèle<sup>1</sup> | Étendue des numéros de série<sup>2</sup>

Nous déclarons, en qualité de fabricant, sous notre entière responsabilité, que le produit mentionné ci-dessous remplit toutes les dispositions pertinentes des directives et réglementations européennes suivantes, ainsi que des normes harmonisées<sup>3</sup>

RY18HT45A  
Niveau de puissance sonore mesuré..... 90.4 dB(A)  
Niveau de puissance sonore garanti..... 93 dB(A)

RY18HT50A  
Niveau de puissance sonore mesuré..... 89.6 dB(A)  
Niveau de puissance sonore garanti..... 92 dB(A)

Méthode d'évaluation de conformité de l'annexe V Directive 2000/14/EC modifiée 2005/88/EC.

Autorisé à rédiger le dossier technique.<sup>4</sup>

## DE KONFORMITÄTSERKLÄRUNG

### Akku-Heckenschere

Marke: RYOBI | Modellnummer<sup>1</sup> | Seriennummernbereich<sup>2</sup>

Wir als Hersteller erklären in alleiniger Verantwortung, dass das nachstehend erwähnte Produkt allen einschlägigen Bestimmungen der folgenden EU-Richtlinien, EU-Vorschriften und harmonisierten Normen entspricht<sup>3</sup>

RY18HT45A  
Gemessener Schalleistungspegel..... 90.4 dB(A)  
Garantierter Schalleistungspegel..... 93 dB(A)

RY18HT50A  
Gemessener Schalleistungspegel..... 89.6 dB(A)  
Garantierter Schalleistungspegel..... 92 dB(A)

Konformitätsbeurteilungsmethode zu Anhang V Richtlinie 2000/14/EC wie durch 2005/88/EC.

Autorisiert die technische Datei zu erstellen.<sup>4</sup>

## ES DECLARACIÓN DE CONFORMIDAD

### Cortasetos inalámbrico

Marca: RYOBI | Número de modelo<sup>1</sup> | Intervalo del número de serie<sup>2</sup>

Como fabricante, declaramos, bajo nuestra exclusiva responsabilidad, que el producto mencionado a continuación cumple con todas las disposiciones relevantes de las siguientes directivas, normas armonizadas y reglamentos europeos<sup>3</sup>

RY18HT45A  
Nivel de potencia acústica medido..... 90.4 dB(A)  
Nivel de potencia acústica garantizado..... 93 dB(A)

RY18HT50A  
Nivel de potencia acústica medido..... 89.6 dB(A)  
Nivel de potencia acústica garantizado..... 92 dB(A)

Método de evaluación de conformidad con el anexo V Directiva 2000/14/EC modificada por la 2005/88/EC.

Autorizado para elaborar la ficha técnica.<sup>4</sup>

## IT DICHIARAZIONE DI CONFORMITÀ

### Decespugliatore senza cavo

Marca: RYOBI | Numero modello<sup>1</sup> | Gamma numero seriale<sup>2</sup>

In qualità di produttori, dichiariamo, sotto la nostra esclusiva responsabilità, che il prodotto descritto di seguito ottempera a tutte le pertinenti disposizioni delle seguenti direttive europee, normative europee e dei seguenti standard armonizzati<sup>3</sup>

RY18HT45A  
Livello di potenza acustica misurato..... 90.4 dB(A)  
Livello di potenza sonora garantita..... 93 dB(A)

RY18HT50A  
Livello di potenza acustica misurato..... 89.6 dB(A)  
Livello di potenza sonora garantita..... 92 dB(A)

Metodo di valutazione sulla conformità all'allegato V Direttiva 2000/14/EC modificata con la 2005/88/EC.

Autorizzato per compilare il file tecnico.<sup>4</sup>

## NL CONFORMITEITSVERKLARING

### Snoerloze heggeschaar

Merk: RYOBI | Modelnummer<sup>1</sup> | Seriennummerbereik<sup>2</sup>

Wij verklaren naar onze eigen verantwoordelijkheid als fabrikant, dat het hieronder genoemde product voldoet aan alle relevante bepalingen van de volgende Europese richtlijnen, Europese verordeningen en geharmoniseerde normen<sup>3</sup>

RY18HT45A  
Gemeten geluidsniveau..... 90.4 dB(A)  
Gegarandeerd geluidsniveau..... 93 dB(A)

RY18HT50A  
Gemeten geluidsniveau..... 89.6 dB(A)  
Gegarandeerd geluidsniveau..... 92 dB(A)

Evaluatiemethode conformiteit volgens bijlage V Richtlijn 2000/14/EC gewijzigd door 2005/88/EC.

Afgevaardigde voor het samenstellen van de technische fiche.<sup>4</sup>

## PT DECLARAÇÃO DE CONFORMIDADE

### Aparador de Pontas Sem Fios

Marca: RYOBI | Número do modelo<sup>1</sup> | Intervalo do número de série<sup>2</sup>

Vi erklærer som fremstillere under eget ansvar, at produktet nævnt nedenfor opfylder alle de relevante forskrifter i de følgende europæiske direktiver, europæiske forordninger og harmoniserede standarder<sup>3</sup>

RY18HT45A  
Nível de potência sonora medido..... 90.4 dB(A)  
Nível de potência sonora garantido..... 93 dB(A)

RY18HT50A  
Nível de potência sonora medido..... 89.6 dB(A)  
Nível de potência sonora garantido..... 92 dB(A)

Método de avaliação de conformidade para o anexo V Directiva 2000/14/EC alterada por 2005/88/EC.

Autorizado para compilar o ficheiro técnico.<sup>4</sup>

## DA OVERENSSTEMMELSESERKLÆRING

### Akku-hækkeklipper

Brand: RYOBI | Modelnummer<sup>1</sup> | Seriennummerområde<sup>2</sup>

Vi erklærer under eget ansvar, at produktet nævnt nedenfor opfylder alle de relevante forskrifter i de følgende europæiske direktiver, europæiske forordninger og harmoniserede standarder<sup>3</sup>

RY18HT45A  
Målt støjniveau..... 90.4 dB(A)  
Garanteret støjniveau..... 93 dB(A)

RY18HT50A  
Målt støjniveau..... 89.6 dB(A)  
Garanteret støjniveau..... 92 dB(A)

Overensstemmelsesvurderingsmetode til bilag V Direktiv 2000/14/EC ændret ved 2005/88/EC.

Bemyndiget til at udarbejde det tekniske kartotek.<sup>4</sup>

## SV KONFORMITETSDEKLARATION

### Kabelfri häcksax

Märke: RYOBI | Modellnummer<sup>1</sup> | Seriennummerintervall<sup>2</sup>

Vi som tillverkare förklarar under eget ansvar att den produkt som nämns nedan uppfyller alla relevanta föreskrifter i följande europeiska direktiv, europeiska förordningar och harmoniserade standarder<sup>3</sup>

RY18HT45A  
Uppmått ljudeffektsnivå..... 90.4 dB(A)  
Garanterad ljudeffektsnivå..... 93 dB(A)

RY18HT50A  
Uppmått ljudeffektsnivå..... 89.6 dB(A)  
Garanterad ljudeffektsnivå..... 92 dB(A)

Konformitetsbedömning gjord enligt metod i V Direktiv 2000/14/EC samt tillägen i 2005/88/EC.

Godkänd att sammanställa den tekniska filen.<sup>4</sup>

## FI SÄÄNNÖSTEN NOUDATTAMINEN

### Langaton pensastrimmeri

Tuotemerkki: RYOBI | Mallinnumero<sup>1</sup> | Sarjanumeroalue<sup>2</sup>

Valmistajana vakuutamme alla mainitun tuotteen täyttävän seuraavien eurooppalaisten direktiivien, asetusten ja yhdenmukaistettujen standardien kaikki asiaankuuluvat vaatimukset<sup>3</sup>

RY18HT45A  
Mitattu äänenteho..... 90.4 dB(A)  
Taattu äänentehon..... 93 dB(A)

RY18HT50A  
Mitattu äänenteho..... 89.6 dB(A)  
Taattu äänentehon..... 92 dB(A)

Säännösten noudattaminen tarkastettu direktiivin 2000/14/EC liitteen V mukaisesti muunnettu direktiivillä 2005/88/EC.

Valtuutettu kokoamaan tekninen tiedosto.<sup>4</sup>



## NO SAMSVARSERKLÆRING

### Hekksaks uten ledning

Merke: RYOBI | Modellnummer<sup>1</sup> | Serienummerserie<sup>2</sup>

Vi erklærer, som produsent, på eget ansvar at produktet beskrevet nedenfor oppfyller alle de relevante bestemmelsene i de europeiske direktiver, europeiske forskrifter og harmoniserte standarder<sup>3</sup>

RY18HT45A  
Målt lydeffektivitet ..... 90,4 dB(A)  
Garantert lydeffektivitet ..... 93 dB(A)

RY18HT50A  
Målt lydeffektivitet ..... 89,6 dB(A)  
Garantert lydeffektivitet ..... 92 dB(A)

Metode for vurdering av konformitet til Tillegg V Direktiv 2000/14/EC endret ved 2005/88/EC.

Autorisert til å sette sammen den tekniske filen:<sup>4</sup>

## RU ЗАЯВЛЕНИЕ О СООТВЕТСТВИИ ТРЕБОВАНИЯМ

### Беспроводные шпалерные ножницы

Марка: RYOBI | Номер модели<sup>1</sup> | Диапазон заводских номеров<sup>2</sup>

Со всей ответственностью как производитель заявляю, что нижеупомянутое изделие отвечает всем соответствующим положениям следующих европейских директив, европейских регламентов, а также гармонизированных стандартов<sup>3</sup>

RY18HT45A  
Измеренный уровень звуковой мощности ..... 90,4 dB(A)  
Гарантируемый уровень звуковой мощности ..... 93 dB(A)

RY18HT50A  
Измеренный уровень звуковой мощности ..... 89,6 dB(A)  
Гарантируемый уровень звуковой мощности ..... 92 dB(A)

Способ оценки соответствия, приложение V к директиве 2000/14/EC с изменениями 2005/88/EC.

Лицо, ответственное за подготовку технической документации:<sup>4</sup>

## PL DEKLARACJA ZGODNOŚCI

### Bezprzewodowa pila łańcuchowa

Marka: RYOBI | Numer modelu<sup>1</sup> | Zakres numerów seryjnych<sup>2</sup>

Jako producent oświadczamy na własną odpowiedzialność, że produkt opisany w sekcji „Specyfikacja” spełnia wszystkie istotne postanowienia wymienionych poniżej dyrektyw UE, przepisów europejskich oraz norm zharmonizowanych<sup>3</sup>

RY18HT45A  
Zmierzony poziom mocy akustycznej ..... 90,4 dB(A)  
Gwarantowany poziom mocy akustycznej ..... 93 dB(A)

RY18HT50A  
Zmierzony poziom mocy akustycznej ..... 89,6 dB(A)  
Gwarantowany poziom mocy akustycznej ..... 92 dB(A)

Metoda ocena zgodności zgodnie z aneksem V Dyrektywa 2000/14/EC zmieniona przez dyrektywę 2005/88/EC.

Osoba upoważniona do sporządzenia dokumentu technicznego:<sup>4</sup>

## CS PROHLÁŠENÍ O SHODĚ

### Akkumulátorové nůžky pro živý plot

Značka: RYOBI | Číslo modelu<sup>1</sup> | Rozsah sériových čísel<sup>2</sup>

Každý výrobce prohlašujeme výhradně na vlastní odpovědnost, že níže uvedený výrobek splňuje všechna příslušná ustanovení evropských směrnic, evropských nařízení a harmonizovaných norem<sup>3</sup>

RY18HT45A  
Změřená hladina akustického výkonu ..... 90,4 dB(A)  
Zaručená hladina akustického výkonu ..... 93 dB(A)

RY18HT50A  
Změřená hladina akustického výkonu ..... 89,6 dB(A)  
Zaručená hladina akustického výkonu ..... 92 dB(A)

Soulad s metodou určování pro přílohu V směrnice 2000/14/EC upravená 2005/88/EC.

Pověření ke kompilaci technické souboru:<sup>4</sup>

## HU MEGFELELŐSÉGI NYILATKOZAT

### Akkumulátoros sövényvágó

Márka: RYOBI | Típuszám<sup>1</sup> | Sorozatszám tartomány<sup>2</sup>

Gyártóként kizárólagos felelősségünk tudatában nyilatkozunk, hogy az alább említett termék megfelel a következő európai irányelvek, szabályozások és harmonizált szabványok vonatkozó rendelkezéseinek<sup>3</sup>

RY18HT45A  
Mért hangteljesítményszint ..... 90,4 dB(A)  
Garantált hangteljesítményszint ..... 93 dB(A)

RY18HT50A  
Mért hangteljesítményszint ..... 89,6 dB(A)  
Garantált hangteljesítményszint ..... 92 dB(A)

A megfelelési értékelési eljárás a 2000/14/EC irányelv V. függeléké szerint történt által módosított 2005/88/EC irányelv.

A műszaki dokumentáció összeállítására felhatalmazott:<sup>4</sup>

## RO DECLARAȚIE DE CONFORMITATE

### Foarfece de grădină fără fir

Marca: RYOBI | Număr serie<sup>1</sup> | Gamă număr serie<sup>2</sup>

În calitate de producător, declarăm pe proprie responsabilitate că produsul menționat mai jos îndeplinește toate prevederile relevante ale directivelor Uniunii Europene, ale Regulamentelor UE și standardele armonizate<sup>3</sup>

RY18HT45A  
Nivelul măsurat al puterii acustice ..... 90,4 dB(A)  
Nivelul garantat al puterii acustice ..... 93 dB(A)

RY18HT50A  
Nivelul măsurat al puterii acustice ..... 89,6 dB(A)  
Nivelul garantat al puterii acustice ..... 92 dB(A)

Metoda de evaluare a conformității cu Anexa V Directiva 2000/14/EC modificată prin 2005/88/EC.

Autorizat să completeze fișa tehnică:<sup>4</sup>

## LV ATBILSTĪBAS DEKLARĀCIJA

### Bezvadu dzīvzogu trimmeris

Zīmols: RYOBI | Modeļa numurs<sup>1</sup> | Sērijas numura intervāls<sup>2</sup>

Ar pilnu atbildību mēs kā ražotājs deklarējam, ka tālāk norādītais produkts izpilda visas attiecīgās Eiropas direktīvu, Eiropas regulu un harmonizēto standartu prasības<sup>3</sup>

RY18HT45A  
Izmērītās skaņas jaudas līmenis ..... 90,4 dB(A)  
Garantētais skaņas intensitātes līmenis ..... 93 dB(A)

RY18HT50A  
Izmērītās skaņas jaudas līmenis ..... 89,6 dB(A)  
Garantētais skaņas intensitātes līmenis ..... 92 dB(A)

Atbilstības novērtēšanas metode pielikumam V Direktīvai 2000/14/EC labota 2005/88/EC.

Pilnvarots sastādīt tehnisko failu:<sup>4</sup>

## LT ATITIKTIES DEKLARACIJA

### Bevielė elektrinė gyvatvorės apkarpyimo mašinėlė

Prekės ženklas: RYOBI | Modelio numeris<sup>1</sup> | Serijinio numerio diapazonas<sup>2</sup>

Mes, gamintojai, atsakingai pareiškiame, kad toliau minimas gaminyus atitinka nurodytus Europos direktyvas, Europos reglamentus ir darniusius standartus<sup>3</sup>

RY18HT45A  
Išmatuotas akustinis lygis ..... 90,4 dB(A)  
Garantuotas akustinis lygis ..... 93 dB(A)

RY18HT50A  
Išmatuotas akustinis lygis ..... 89,6 dB(A)  
Garantuotas akustinis lygis ..... 92 dB(A)

Atitikties įvertinimo metodas pagal direktyvos 2000/14/EC, V Priedą su pataisomis 2005/88/EC.

Įgaliotas sudaryti techninį failą:<sup>4</sup>

## ET VASTAVUSDEKLARATSIOON

### Aku-hekitrimmer

Mark: RYOBI | Mudeli number<sup>1</sup> | Seerianumbri vahemik<sup>2</sup>

Kinnitame tootjana ainiuskilselset, et alpool nimetatud toode vastab järgmistele Euroopa direktiividele, Euroopa määrustele ja ühtlustatud standarditele kõigile asjaomastele sätetele<sup>3</sup>

RY18HT45A  
Mõõdetud helivõimsuse tase ..... 90,4 dB(A)  
Garanteeritud helivõimsuse tase ..... 93 dB(A)

RY18HT50A  
Mõõdetud helivõimsuse tase ..... 89,6 dB(A)  
Garanteeritud helivõimsuse tase ..... 92 dB(A)

Vastavushindamine vastavalt lisale V direktiivis 2000/14/EC muudetud direktiiviga 2005/88/EC.

Tehnilise faili koostamiseks volitatud isik:<sup>4</sup>

## HR IZJAVA O USKLADENOSTI

### Aku trimmer za ogradu

Marka: RYOBI | Broj modela<sup>1</sup> | Raspon serijskog broja<sup>2</sup>

Kao proizvođač, pod punom odgovornošću izjavljujemo da proizvod naveden u nastavku zadovoljava sve relevantne odredbe sljedećih europskih direktiva, europskih uredbi i usklađenih normi<sup>3</sup>

RY18HT45A  
Izmiřerena razina zvučne snage ..... 90,4 dB(A)  
Jamčena razina zvučne snage ..... 93 dB(A)

RY18HT50A  
Izmiřerena razina zvučne snage ..... 89,6 dB(A)  
Jamčena razina zvučne snage ..... 92 dB(A)

Metoda procjene usklađenosti prema Dodatku V Direktivi 2000/14/EC navedeno u 2005/88/EC.

Ovlašten da sastavi tehničku datoteku:<sup>4</sup>



## SK IZJAVA O SKLADNOSTI

### Brezčični obrezovalnik žive meje

Znamka: RYOBI | Številka modela<sup>1</sup> | Razpon serijskih števil<sup>2</sup>

Kot proizvajalec pod izključno lastno odgovornostjo izjavljamo, da spodaj navedeni izdelke izpolnjuje vse ustrezne predpise naslednjih evropskih direktiv, evropskih uredb in harmoniziranih standardov<sup>3</sup>

RY18HT45A

Izmerjena raven zvočne moči ..... 90,4 dB(A)

Zajamčena raven zvočne moči ..... 93 dB(A)

RY18HT50A

Izmerjena raven zvočne moči ..... 89,6 dB(A)

Zajamčena raven zvočne moči ..... 92 dB(A)

Način ugotavljanja skladnosti z aneksom V direktive 2000/14/EC ki je bila spremenjena z 2005/88/EC.

Pooblaščen oseba za sestavo tehnične dokumentacije.<sup>4</sup>

## SK PREHLÁSENIE O ZHODE

### Bezčiklový strihač živého plotu

Značka: RYOBI | Číslo modelu<sup>1</sup> | Rozsah sériových čísel<sup>2</sup>

Ako výrobca na vlastnú zodpovednosť vyhlasujeme, že dolu uvedený výrobok vyhovuje príslušným ustanoveniam nasledujúcich európskych smerníc, európskych nariadení a harmonizovaných noriem<sup>3</sup>

RY18HT45A

Nameraná úroveň hluku ..... 90,4 dB(A)

Garantovaná úroveň hluku ..... 93 dB(A)

RY18HT50A

Nameraná úroveň hluku ..... 89,6 dB(A)

Garantovaná úroveň hluku ..... 92 dB(A)

Spôsob určenia zhody podľa Dodatku V Smernica 2000/14/EC doplnená o 2005/88/EC.

Oprávnená osoba na zostavenie technického súboru.<sup>4</sup>

## BG ДЕКЛАРАЦИЯ НА ЗА СЪОТВЕТСТВИЕ

### Бежичен храксторез

Марка: RYOBI | Номер на модела<sup>1</sup> | Обхват на серийни номера<sup>2</sup>

Като производител декларираме на своя лична отговорност, че продуктът, посочен по-долу, отговаря на всички съответни разпоредби на директивите и регламентите на Европейския съюз и хармонизираните стандарти по-долу<sup>3</sup>

RY18HT45A

Измерено ниво на шум ..... 90,4 dB(A)

Гарантирано ниво на шум ..... 93 dB(A)

RY18HT50A

Измерено ниво на шум ..... 89,6 dB(A)

Гарантирано ниво на шум ..... 92 dB(A)

Метод за оценяване на съответствието с приложение V Директива 2000/14/EC, изменена от 2005/88/EC.

Отговорен нотифициращ орган.<sup>4</sup>

## UK ДЕКЛАРАЦІЯ ПРО ВІДПОВІДНІСТЬ

### Акумуляторні ножиці для живоплоту

Марка: RYOBI | Номер моделі<sup>1</sup> | Діапазон серійного номеру<sup>2</sup>

Як виробник ми відповідально заявляємо, що описаний нижче пристрій відповідає всім чинним положенням директив ЄС, Європейських норм та гармонізованих стандартів<sup>3</sup>

RY18HT45A

Вимірний рівень звукової потужності ..... 90,4 dB(A)

Гарантований рівень звукової потужності ..... 93 dB(A)

RY18HT50A

Вимірний рівень звукової потужності ..... 89,6 dB(A)

Гарантований рівень звукової потужності ..... 92 dB(A)

Метод оцінки відповідності Annex V Directive 2000/14/EC з поправками, внесеними 2005/88 / EC.

Дозвіл на складання технічного файлу.<sup>4</sup>

## TR UYGUNLUK BEYANI

### Kablosuz çit budama makinesi

Marka: RYOBI | Model numarası<sup>1</sup> | Seri numarası aralığı<sup>2</sup>

Üretici olarak tüm sorumluluğu bize ait olmak üzere, aşağıda belirtilen ürünün aşağıdaki Avrupa Direktifleri, Avrupa Mevzuatı ve uyumlaştırılmış standartların ilgili hükümlerini yerine getirdiğini beyan ederiz<sup>3</sup>

RY18HT45A

Öçülenen ses gücü seviyesi ..... 90,4 dB(A)

Güvencelli ses gücü seviyesi ..... 93 dB(A)

RY18HT50A

Öçülenen ses gücü seviyesi ..... 89,6 dB(A)

Güvencelli ses gücü seviyesi ..... 92 dB(A)

2005/88/AT ile değiştirilen 2000/14/AT Direktifi Ek V uyarınca uygunluk değerlendirme yöntemi.

Teknik dosyası derlemekte yetkili sorumlu.<sup>4</sup>

## 1 RY18HT45A / RY18HT50A

2 RY18HT45A: 47581401000001 - 47581401999999

RY18HT50A: 47581801000001 - 47581801999999

3 2006/42/EC, 2014/30/EU, 2000/14/EC, 2005/88/EC, 2011/65/EU, EN 62841-1:2015, EN 62841-4-2:2019, EN 55014-1:2017+A11:2020, EN 55014-2:2015, EN IEC 63000:2018

Todd Chipner  
Vice President, Quality – Asia  
Winnenden, Aug. 6, 2021

3 Alexander Krug, Managing Director  
Techtronic Industries GmbH  
Max-Eyth-Straße 10, 71364 Winnenden, Germany

## GB-DECLARATION OF CONFORMITY

Manufacturer: Techtronic Industries GmbH  
Max-Eyth-Straße 10, 71364 Winnenden, Germany

We declare as the manufacturer under our sole responsibility that the product mentioned below

Cordless hedge trimmer

Brand: RYOBI

Model number: RY18HT45A / RY18HT50A

Serial number range:

RY18HT45A: 47581401000001 - 47581401999999

RY18HT50A: 47581801000001 - 47581801999999

fulfills all the relevant provisions of the following Regulations: S.I. 2008/1597 (as amended), S.I. 2016/1091 (as amended), S.I. 2012/3032 (as amended), S.I. 2001/1701 (as amended) and that the following designated standards have been used:

BS EN 62841-1:2015, BS EN 62841-4-2:2019,

BS EN 55014-1:2017+A11:2020, BS EN 55014-2:2015,

BS EN IEC 63000:2018

For RY18HT45A

Measured sound power level: 90.4 dB(A)

Guaranteed sound power level: 93 dB(A)

Conformity assessment method to S.I. 2001/1701 Schedule 8 (as amended)

For RY18HT50A

Measured sound power level: 89.6 dB(A)

Guaranteed sound power level: 92 dB(A)

Conformity assessment method to S.I. 2001/1701 Schedule 8 (as amended)

Todd Chipner  
Vice President, Quality – Asia  
Winnenden, Aug. 6, 2021

Authorised to compile the technical file:  
Techtronic Industries (UK) Ltd  
Fieldhouse Lane  
Marlow Bucks SL7 1HZ  
UK









**EN** RYOBI is a trade mark of Ryobi Limited, and is used under license.  
**FR** RYOBI est une marque déposée de Ryobi Limited, et est utilisée sous licence.  
**DE** RYOBI ist ein Markenzeichen von Ryobi Limited und wird in Lizenz verwendet.  
**ES** RYOBI es una marca registrada de Ryobi Limited, y se utiliza bajo licencia.  
**IT** L'utilizzo del marchio registrato RYOBI è legato alla licenza concessa da Ryobi Limited.  
**NL** RYOBI is een handelsmerk van Ryobi Limited en wordt onder licentie gebruikt.  
**PT** RYOBI é uma marca comercial de Ryobi Limited, e é utilizada sob licença.  
**DA** RYOBI er et varemærke tilhørende Ryobi Limited og bruges under licens.  
**SV** RYOBI är en del av varumärke Ryobi Limited och dess användning är licensierad.  
**FI** RYOBI on Ryobi Limitedin omistama tavaramerkki, ja sitä käytetään lisenssin puitteissa.  
**NO** RYOBI er et varemerke for Ryobi Limited, og brukes under lisens.  
**RU** RYOBI является товарным знаком компании Ryobi Limited, используемым по лицензии.  
**PL** RYOBI to znak towarowy firmy Ryobi Limited i jest używany zgodnie z udzieloną licencją.  
**CS** RYOBI je ochranná známka společnosti Ryobi Limited a její používání podléhá licenci.  
**HU** A RYOBI a Ryobi Limited védjegye, használatát licenc keretében történik.  
**RO** RYOBI este o marcă comercială a firmei Ryobi Limited și este utilizată sub licență.  
**LV** RYOBI ir Ryobi Limited preču zīme un tiek izmantota saskaņā ar licenci.  
**LT** „RYOBI“ yra „Ryobi Limited“ prekės ženklas, naudojamas pagal licenciją.  
**ET** RYOBI on ettevõtte Ryobi Limited kaubamärk, mida kasutatakse litsentsi alusel.  
**HR** RYOBI je žig tvrtke Ryobi Limited i koristi se po licenci.  
**SL** RYOBI je blagovna znamka družbe Ryobi Limited in se uporablja na podlagi dovoljenja.  
**SK** RYOBI je ochranná známka spoločnosti Ryobi Limited a používa sa na základe licencie.  
**BG** RYOBI е търговска марка на Ryobi Limited и се използва под лиценз.  
**UK** RYOBI є товарним знаком Ryobi Limited, і використовується за ліцензією.  
**TR** RYOBI, Ryobi Limited şirketine ait olup, lisans altında kullanılan bir ticari markadır.





**Techtronic Industries GmbH**  
Max-Eyth-Straße 10,  
71364 Winnenden, Germany

**Techtronic Industries (UK) Ltd**  
Fieldhouse Lane  
Marlow Bucks SL7 1HZ  
UK

961001789-01

