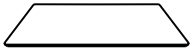









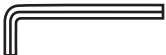
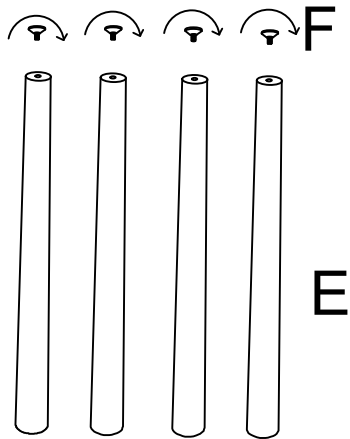
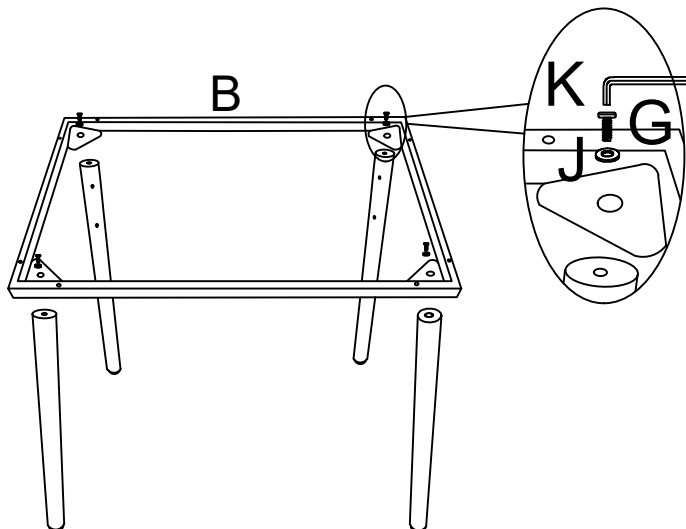


Ax1	Bx1	Cx4	Dx4	Ex4	Fx4
					
Gx4	Hx8	Ix8	Jx4	Kx1	
					

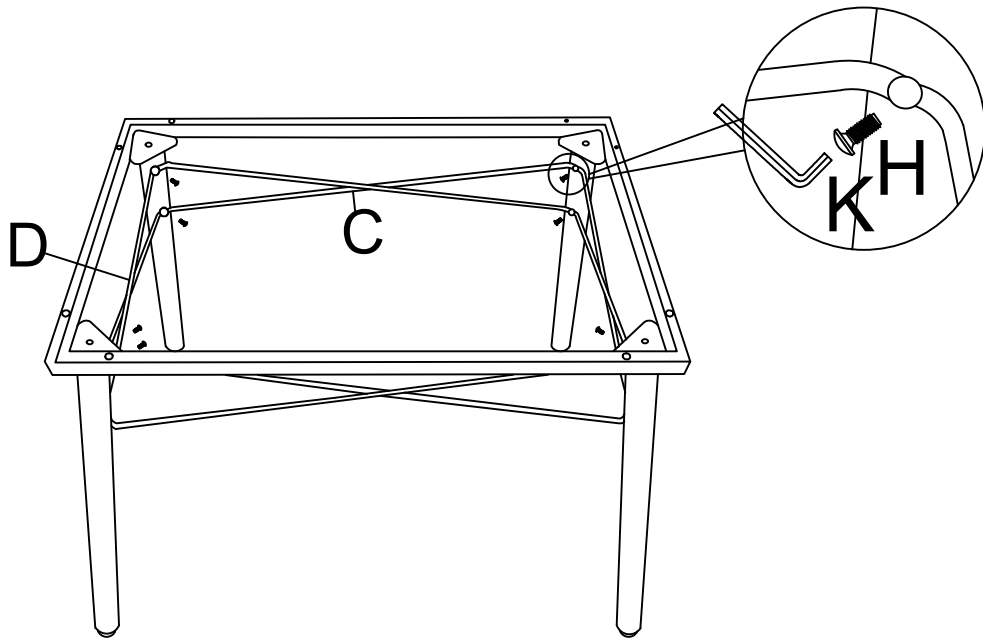
1.



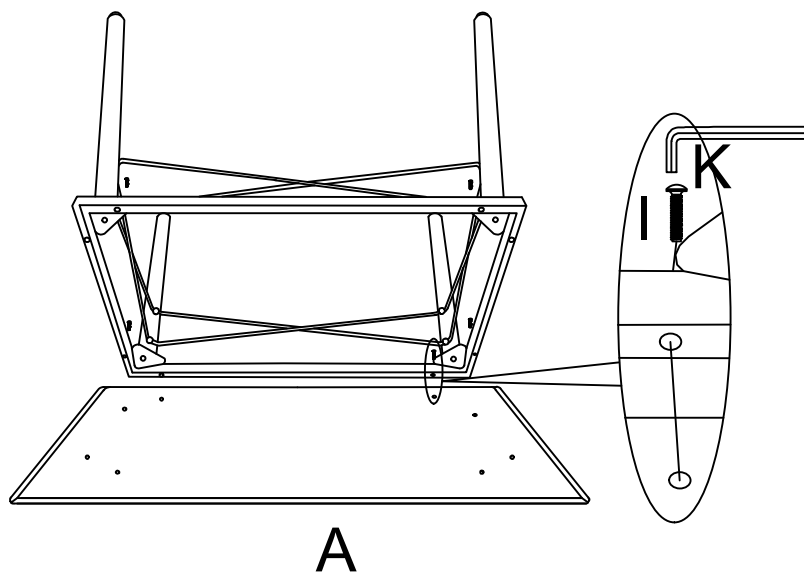
2.



3.



4.



5.

