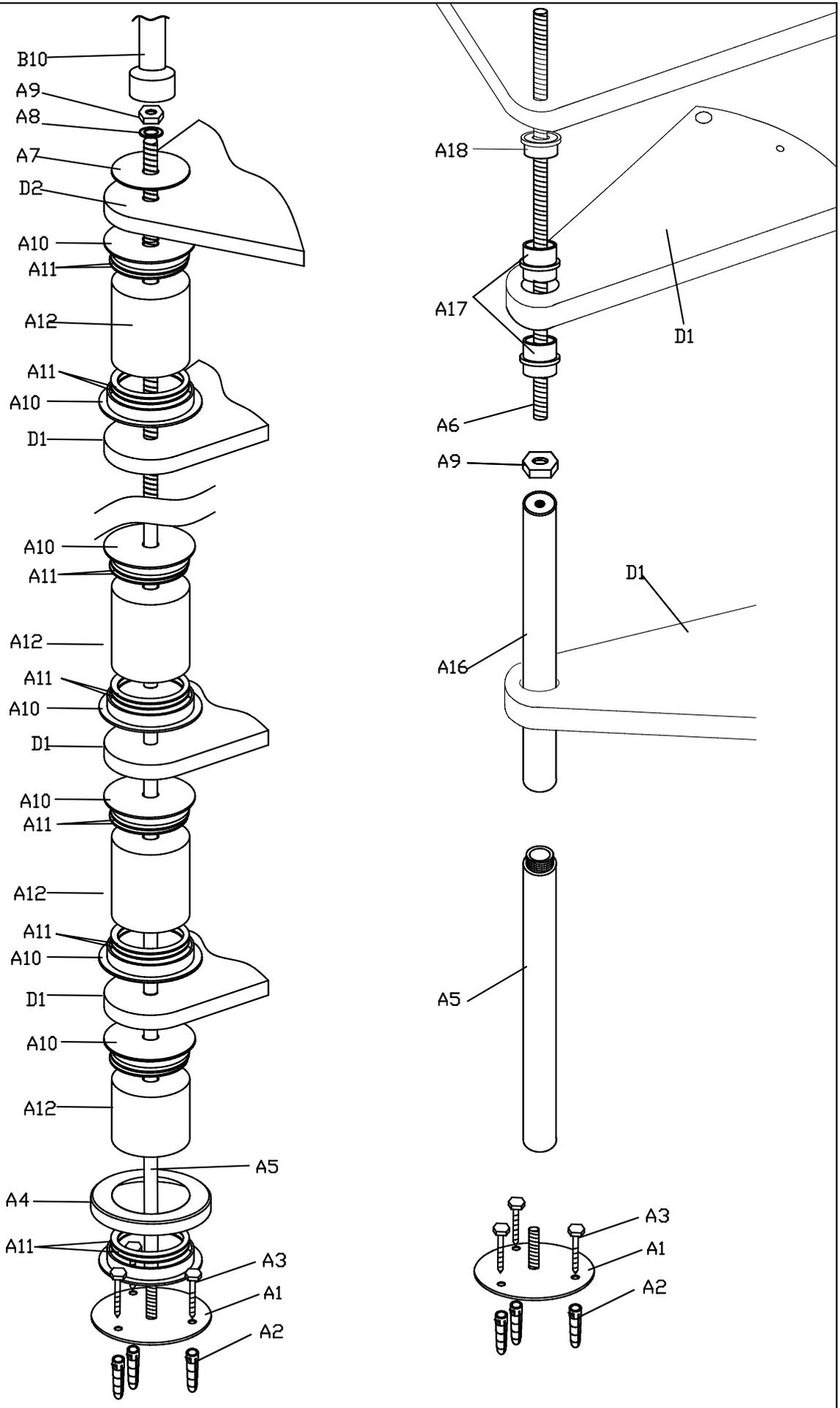
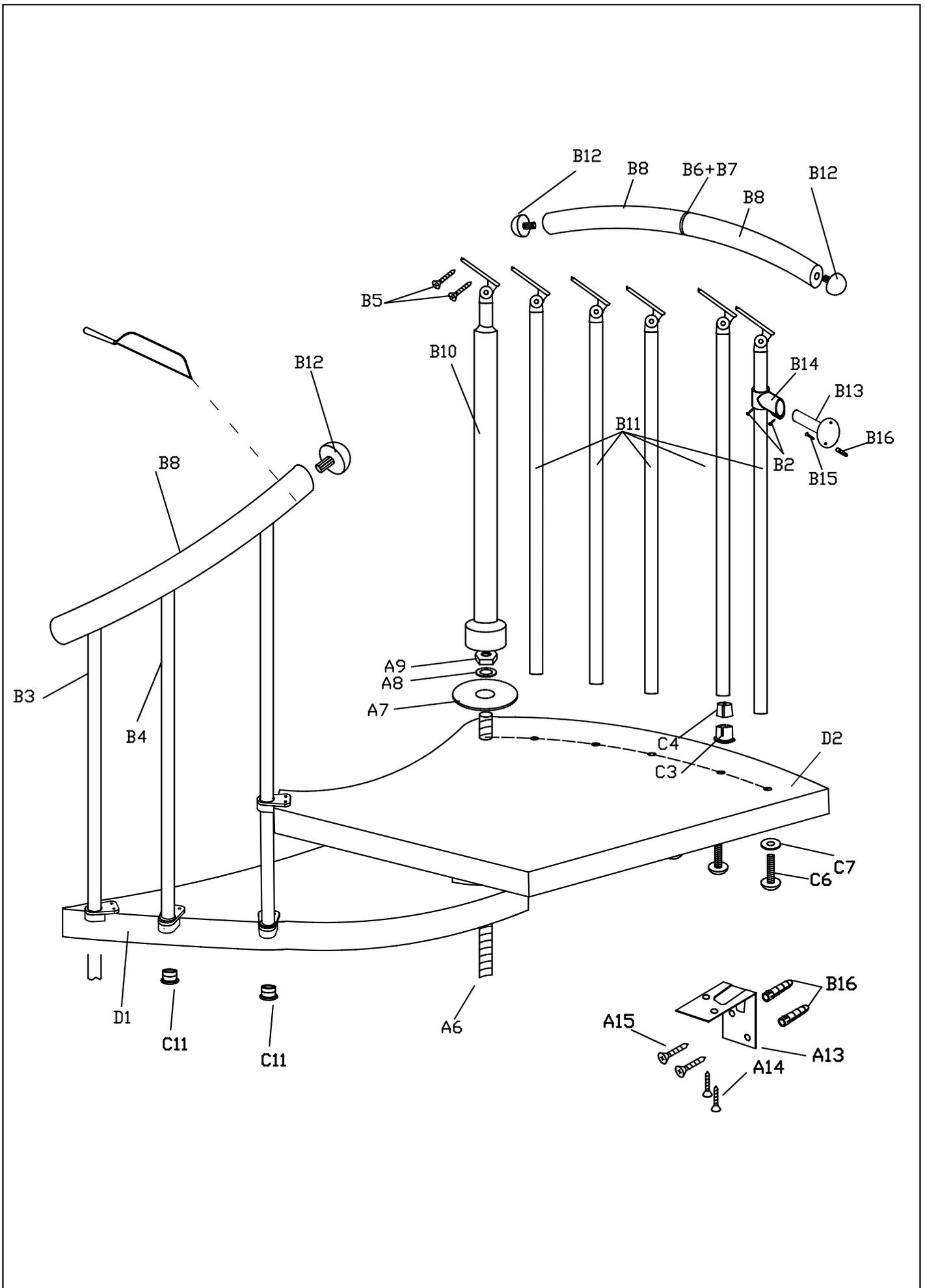


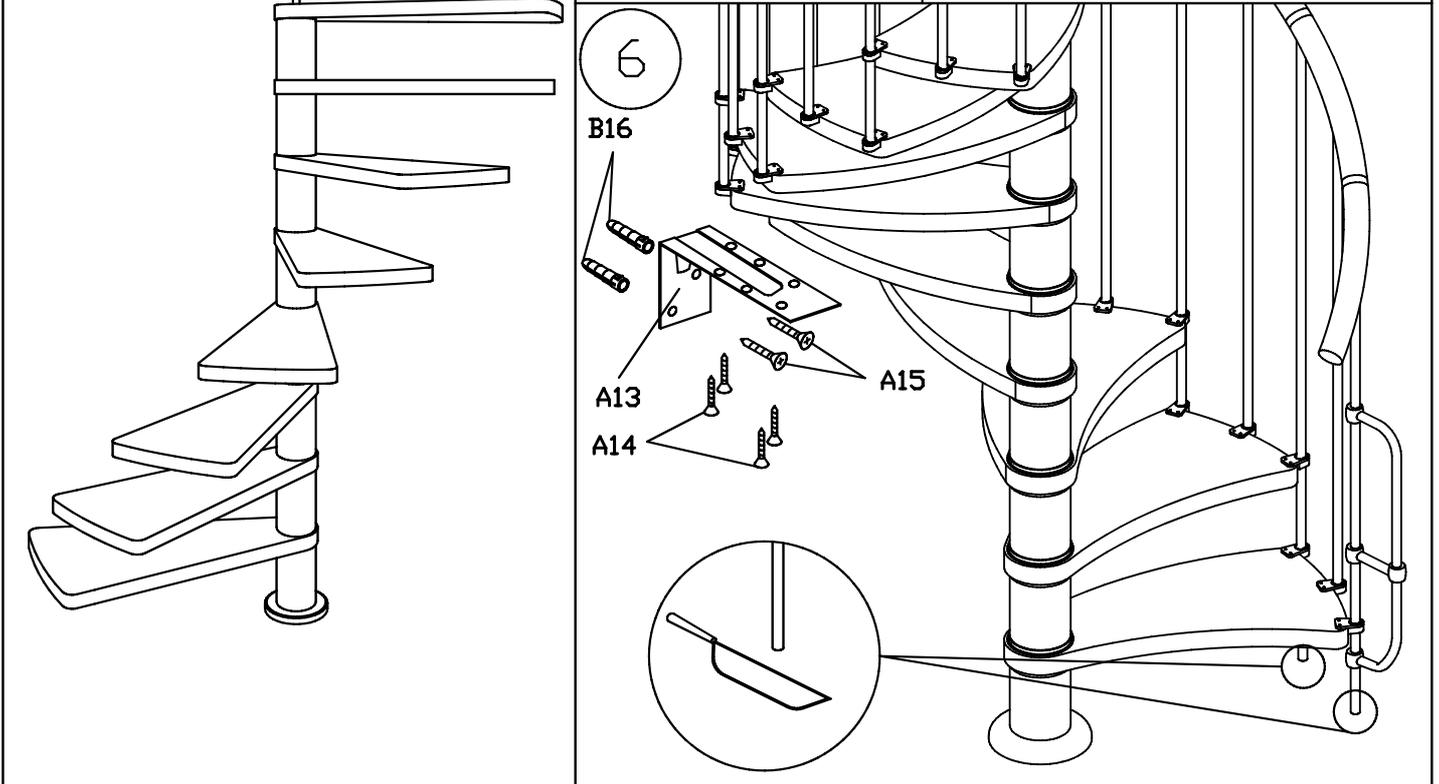
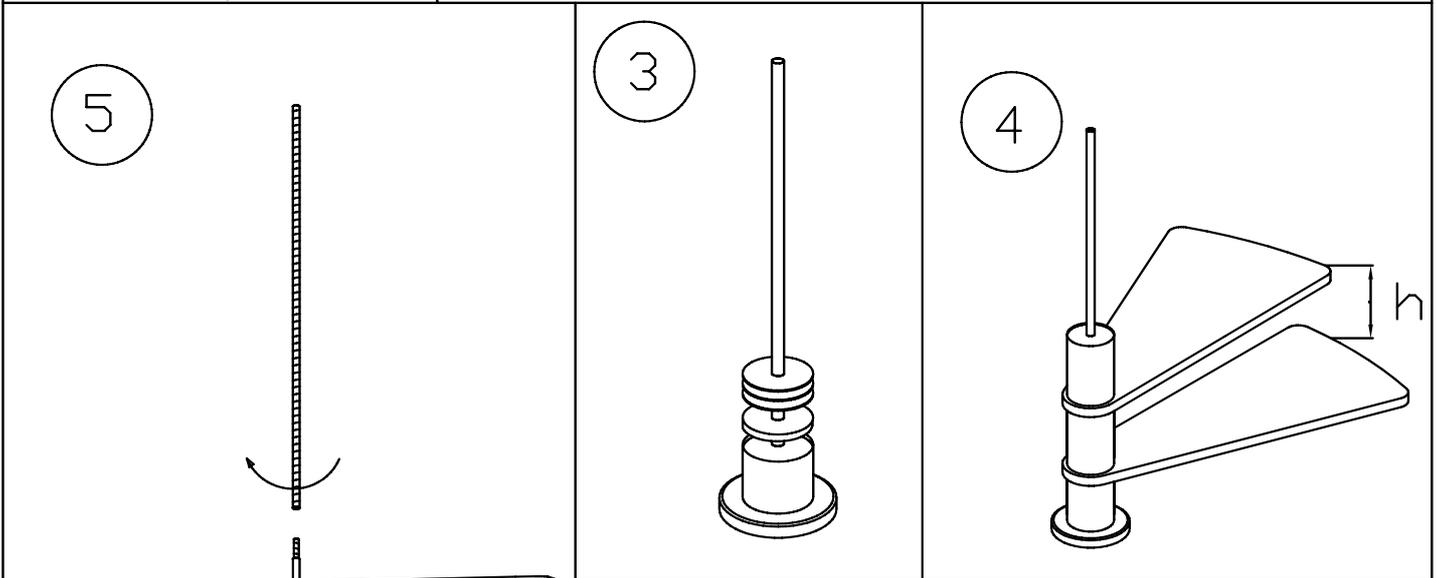
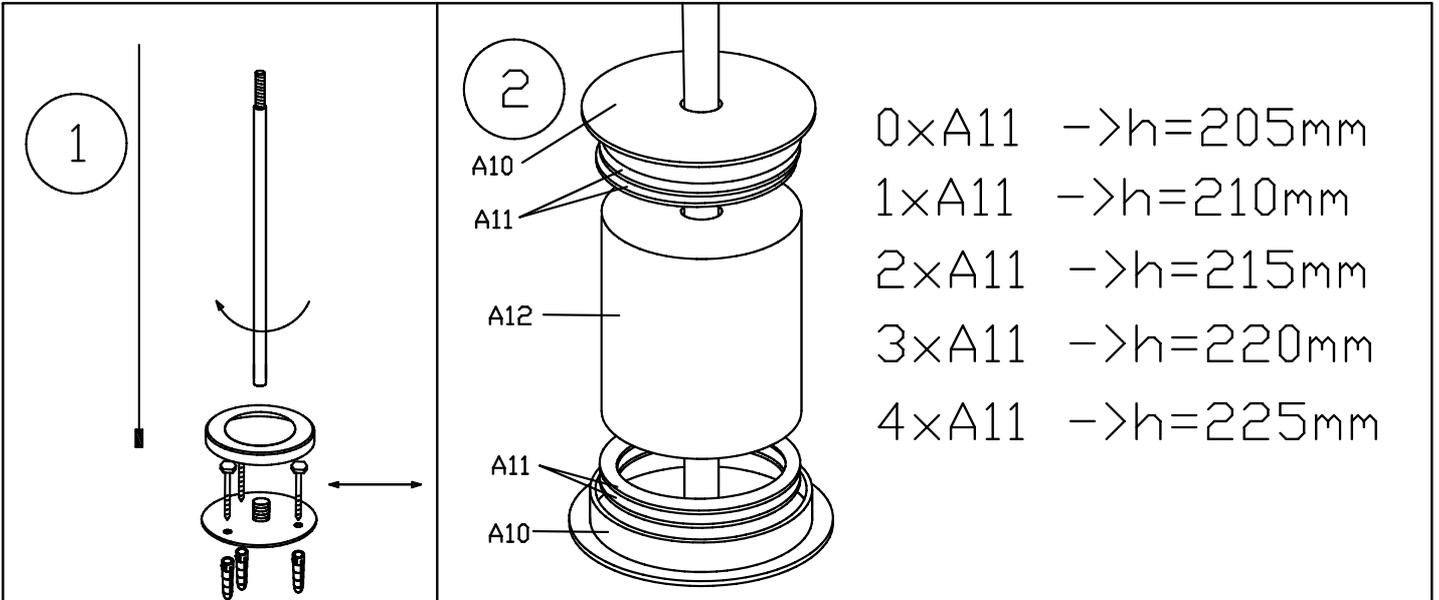
18.06.2012

1/8

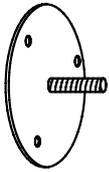
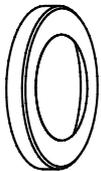
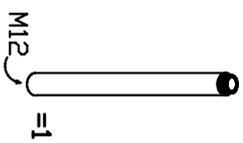
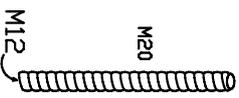
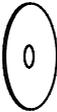
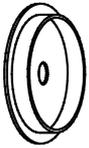
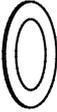
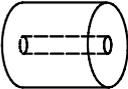
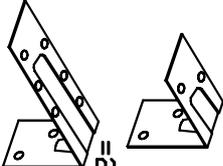
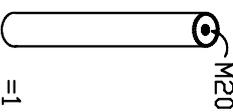
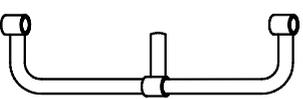
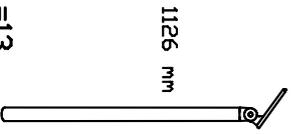
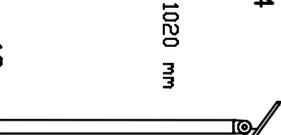
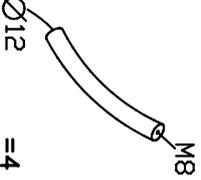
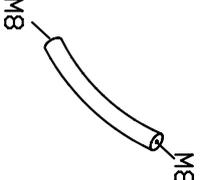
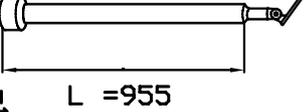
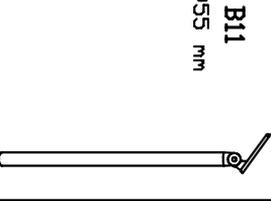
LARISSA - D 120/140/160

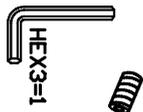
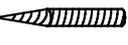
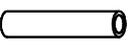
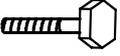
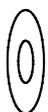
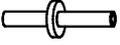
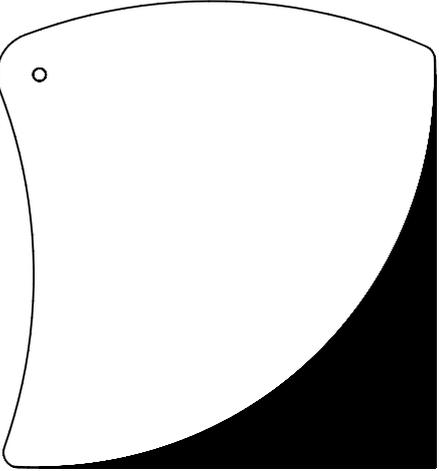
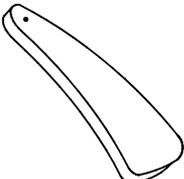
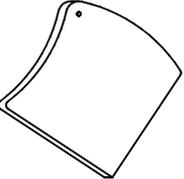




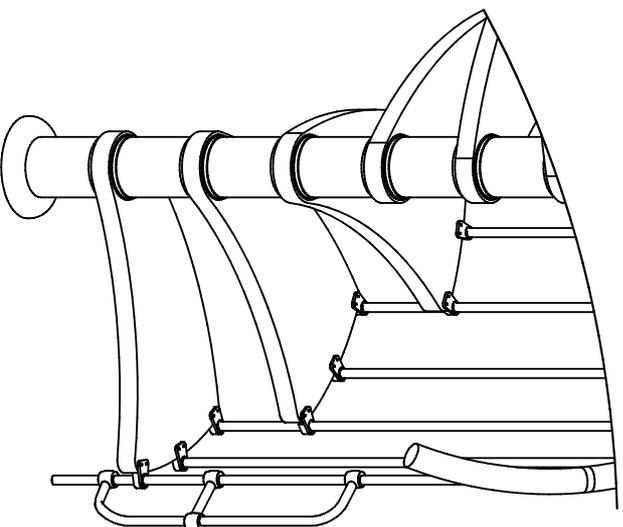
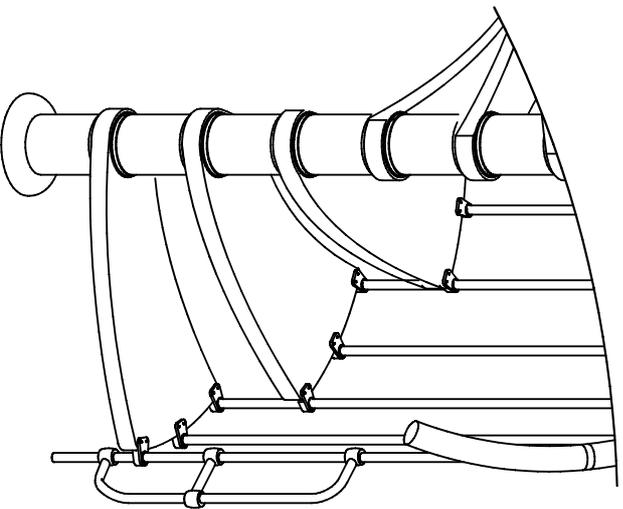
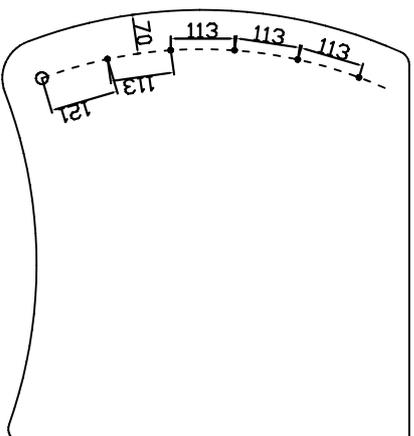
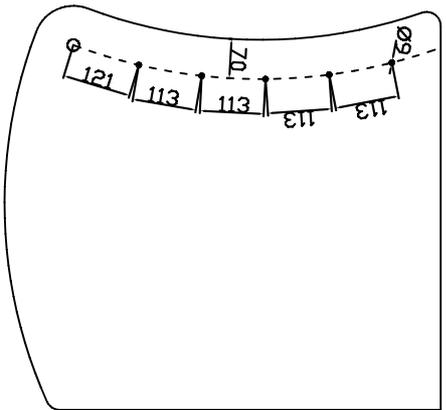


LARISSA - D 120/140/160

| | | |
|-----|---|----------------|
| A1 |  | =1 |
| A2 |  12 mm Ø12 | =3 |
| A3 |  Ø8x80 | =3 |
| A4 |  | =1 |
| A5 |  M12 | =1 |
| A6 |  M20 M12 | =1 |
| A7 |  | =1 |
| A8 |  20 mm A20 | =1 |
| A9 |  M20 | =2 |
| A10 |  | =26 |
| A11 |  | =52 |
| A12 |  | =13 |
| A13 |  =2 | =2 |
| A14 |  5x25 | =12 |
| A15 |  6x80 | =8 |
| A16 |  M20 | =1 |
| A17 |  | =8 |
| A18 |  | =2 |
| B1 |  | =1 |
| B2 |  4 x13mm | =7 |
| B3 |  1126 mm | =13 |
| B4 |  1020 mm | =12 |
| B5 |  4X16 | =140 |
| B6 |  M8x40mm | =12 |
| B7 |  | =12 |
| B8 |  Ø12 M8 | =4 |
| B9 |  M8 | =10 |
| B10 |  955 | =1 |
| B11 |  955 mm D120 D140 D160 | =5 =6 =7 |
| B12 |  | =4 |
| B13 |  | =1 |
| B14 |  | =2 |
| B15 |  5x50 | =2 |
| B16 |  10 mm Ø10 | =10 |

| | | | | | | | | |
|---|---|--|---|--|---|---|--|---|
| <p>B17</p>  <p>=37</p> | <p>B18</p> <p>M6x6mm</p>  <p>HEX3=1</p> <p>=37</p> | <p>B19</p> <p>4X30mm</p>  <p>=37</p> | <p>B20</p>  <p>=37</p> | | | | | |
| <p>C1</p> <p>12 mm</p>  <p>Ø12</p> <p>5x25 =2</p> | <p>C2</p>  <p>M8x80</p> <p>=2</p> | <p>C3</p>  <p>=9</p> | <p>C4</p>  <p>=11</p> | <p>C5</p> <p>174 mm</p>  <p>=1</p> | <p>C6</p>  <p>M8x60mm</p> <p>=7</p> | <p>C7</p> <p>8 mm</p>  <p>A8 x 24</p> <p>=7</p> | <p>C8</p>  <p>=2</p> | <p>C9</p>  <p>M8x90mm</p> <p>=1</p> |
| <p>C10</p>  <p>=1</p> | <p>C11</p>  <p>=24</p> | <p style="text-align: center;">TREMIE RONDE</p>  | | | | | | |
| <p>D1</p>  <p>=12</p> | <p>D2</p>  <p>=1</p> | | | | | | | |

D 120 5 X Ø 9 mm
 D 140 6 X Ø 9 mm
 D 160 7 X Ø 9 mm



saui

