

**Product:** KLUDI BOZZ single lever shower mixer DN 15

**Ref.:** 388310576

**Product description**

single lever shower shower mixer DN 15  
 solid lever  
 wall fastening  
 flow class B  
 ceramic cartridge with hot water safety device  
 shower outlet G 1/2  
 protected against back flow  
 S unions  
 without shower set  
 noise group I  
 PA- IX 19191 / IB

Finishes:  
 05 chrome

Product picture

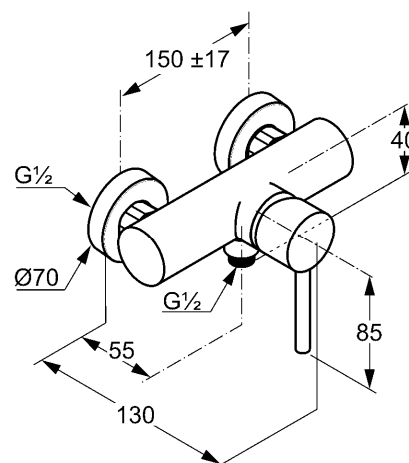


**Advertisement**

- \* KLUDI GmbH & Co KG KLUDI BOZZ single lever shower mixer item no. 388310576
- \*\* ceramic cartridge with hot water safety device Ø 35 mm, DIN EN 817
- \*\*\* brass, DIN 50930-6

single lever shower mixer, manufacturer KLUDI GmbH & Co KG KLUDI BOZZ single lever shower mixer item no. 388310576, DN 15, chrome plated brass, ceramic cartridge with hot water safety device Ø 35 mm, solid lever, noise level DIN EN 4109 group I, noise report PA- IX 19191 / IB, type: single lever shower mixer DN 15, flow class B (max. 0,25 l/s), projection shower outlet 55 mm, lever projection 85 mm, projection 130 mm, shower outlet 1/2 inch, protected against back flow DIN EN 1717, S unions 1/2 x 3/4 inch with noise reducer, for pressure type water heater, continuous line heater, PN 10,

Dimensional drawing



Flow rate diagram

