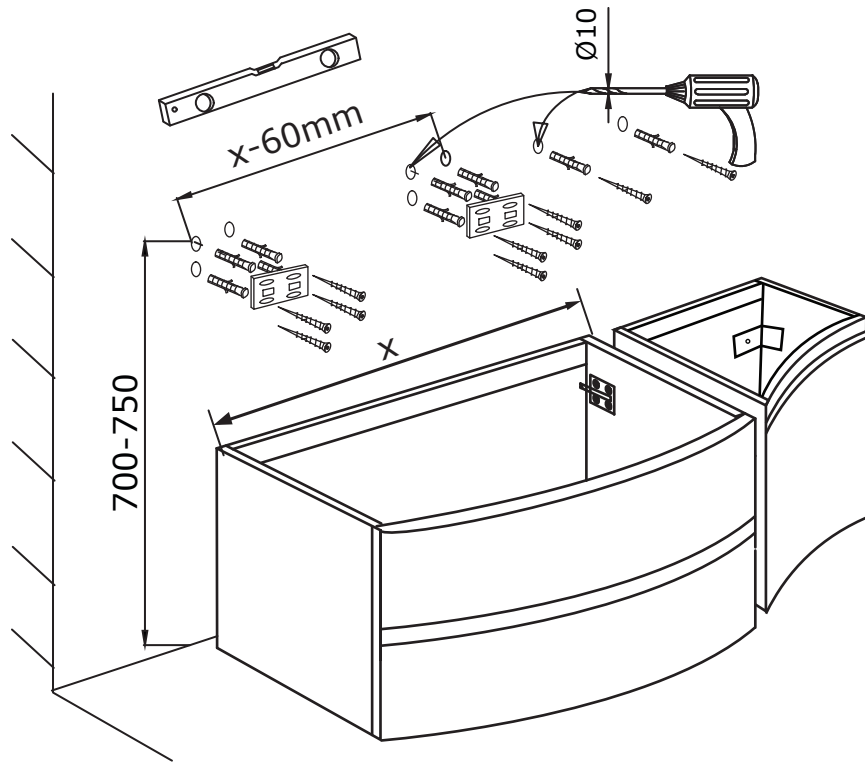
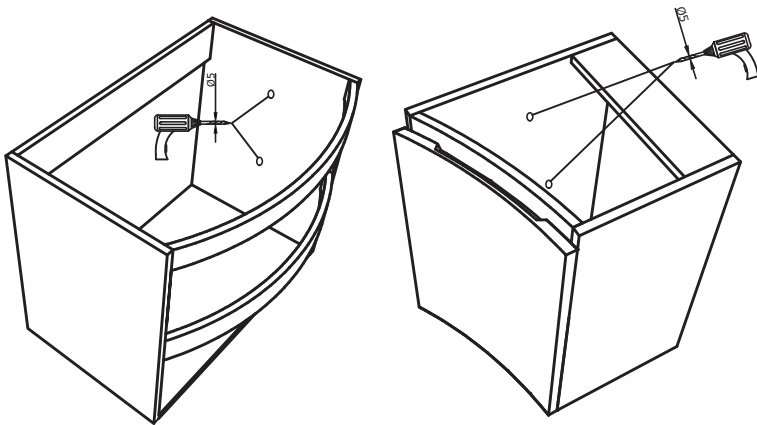


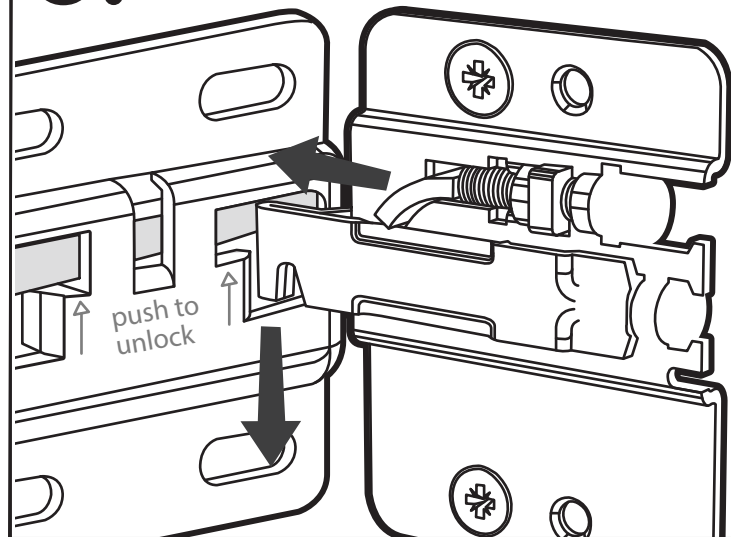
1.

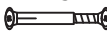

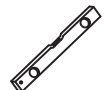




2.



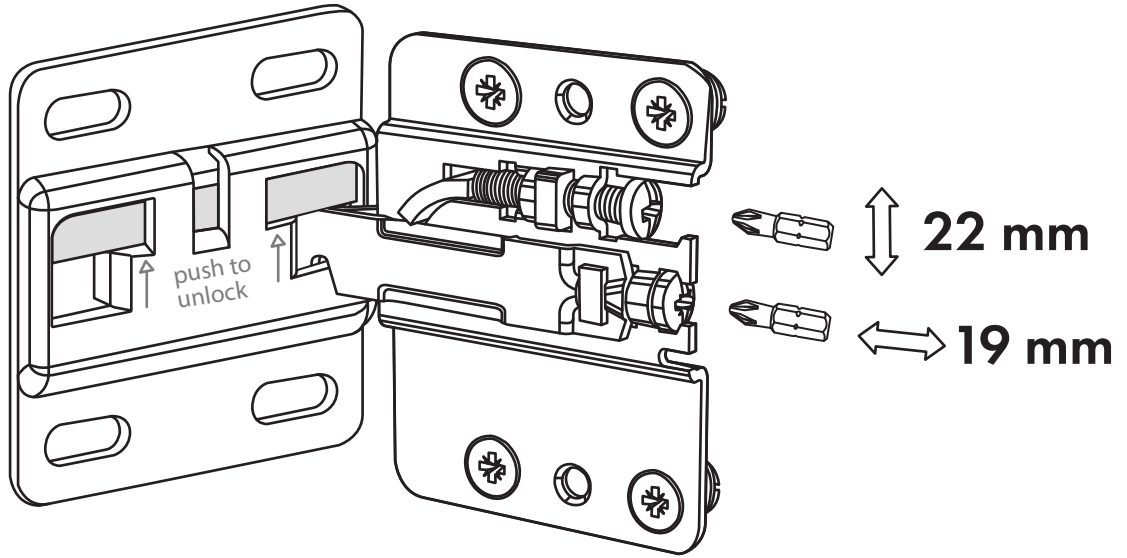
3.



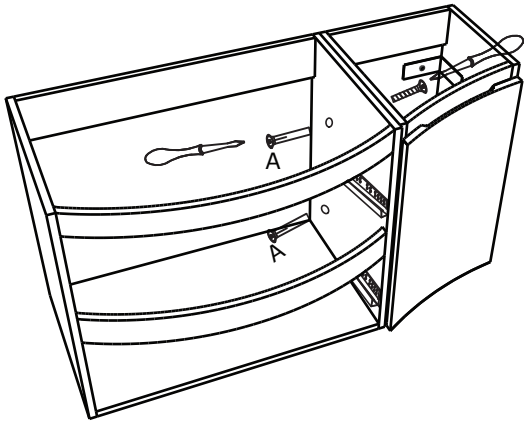
M4 x 15 M4x5x27  A x 2	SILICONE 			
--	---	---	---	--



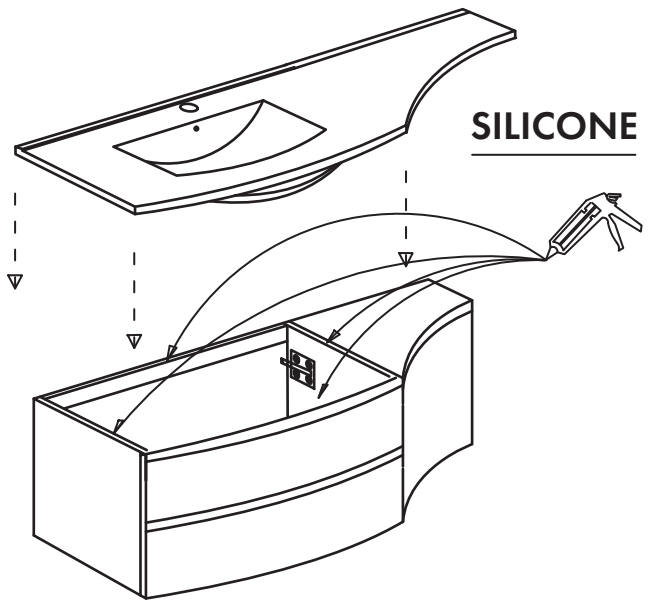
4.



5.



6.



7.

