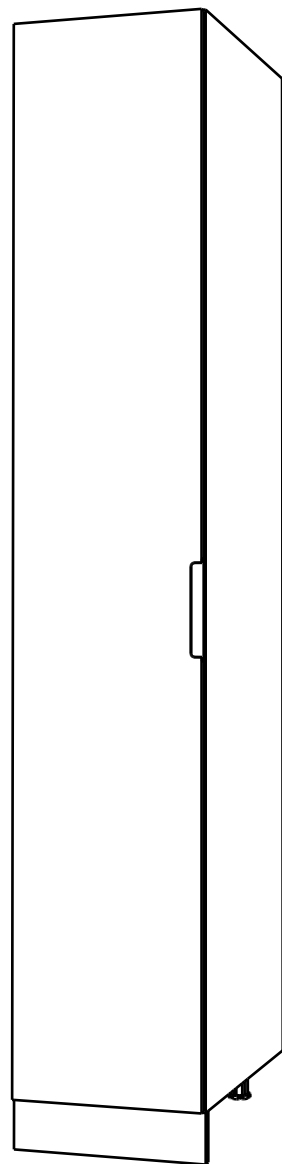


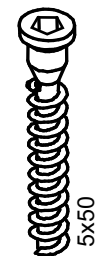
EVELYNE

MARTPLAST



Optional 400

ACCESSORII



x16



x16



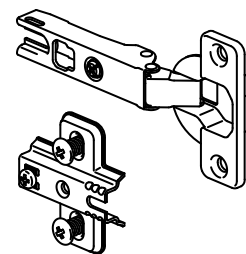
x20



x30



x8



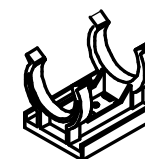
x3



x1



x4

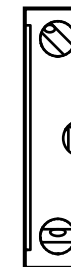
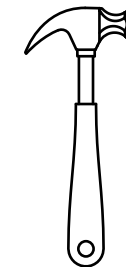


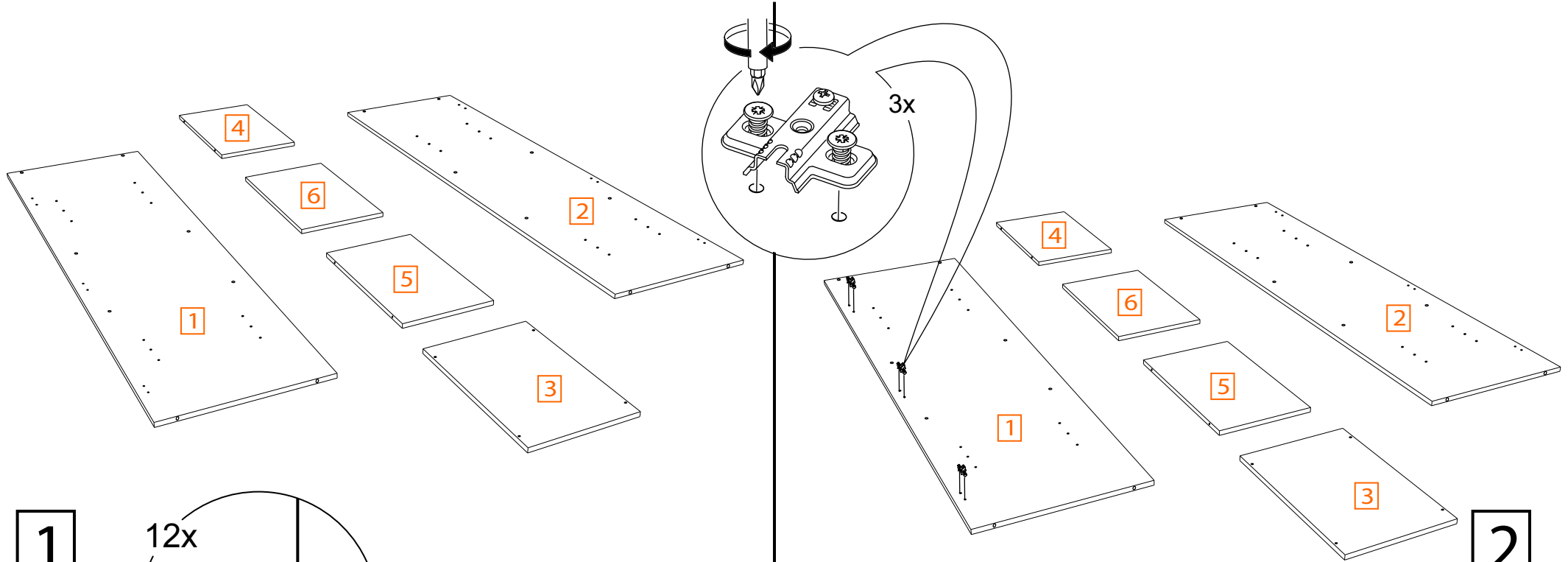
x2

NECESARE



x2

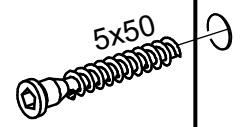




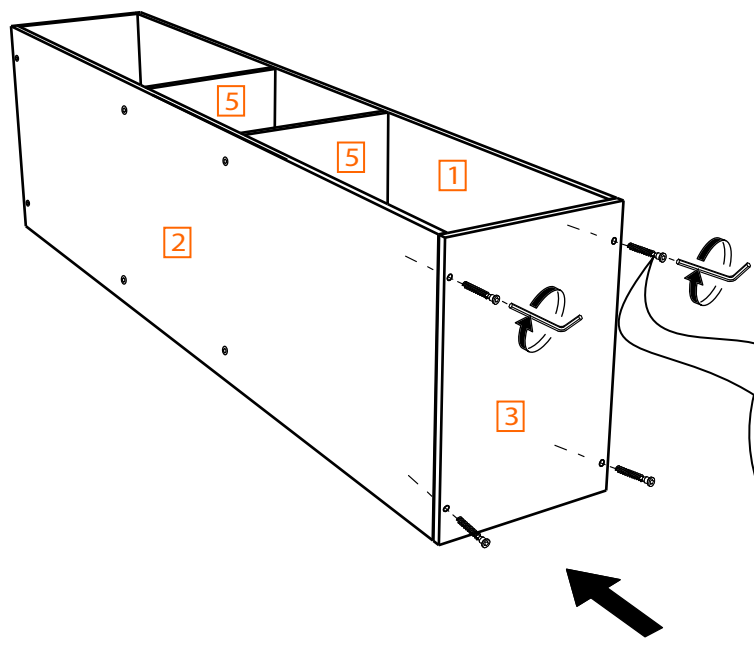
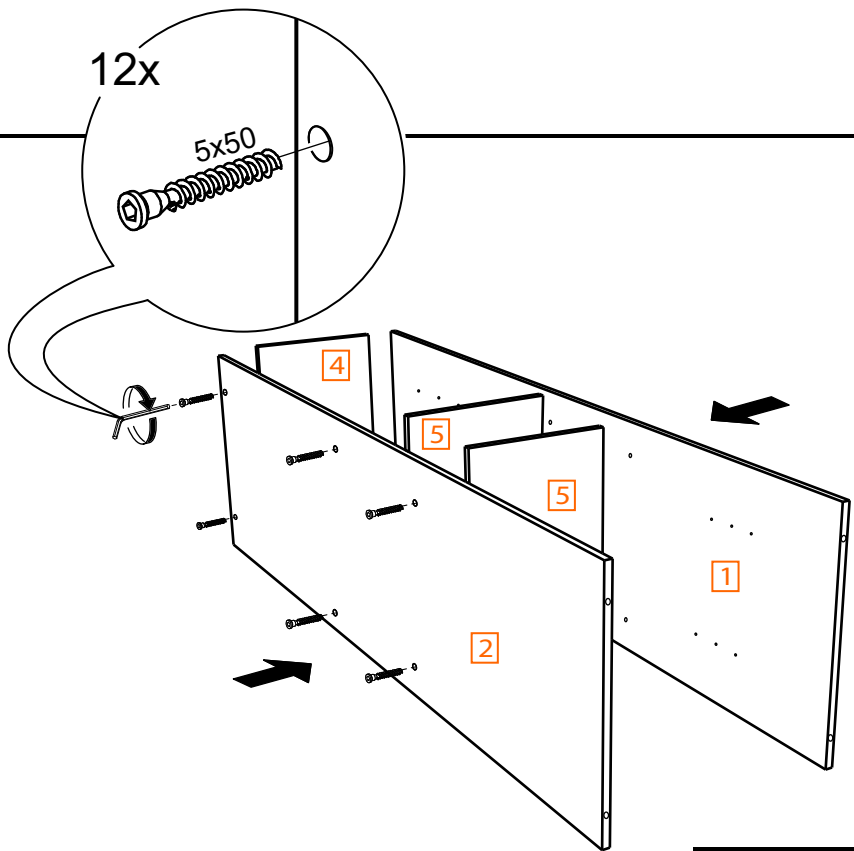
1
3

12x

5x50

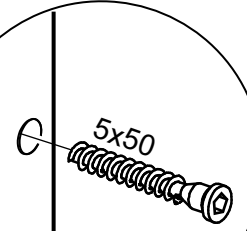


2
4

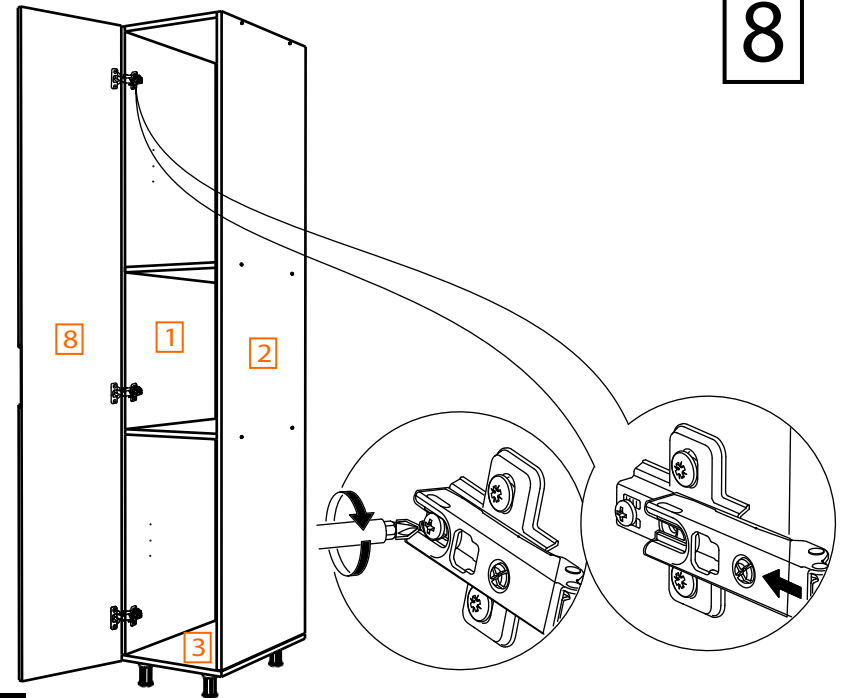
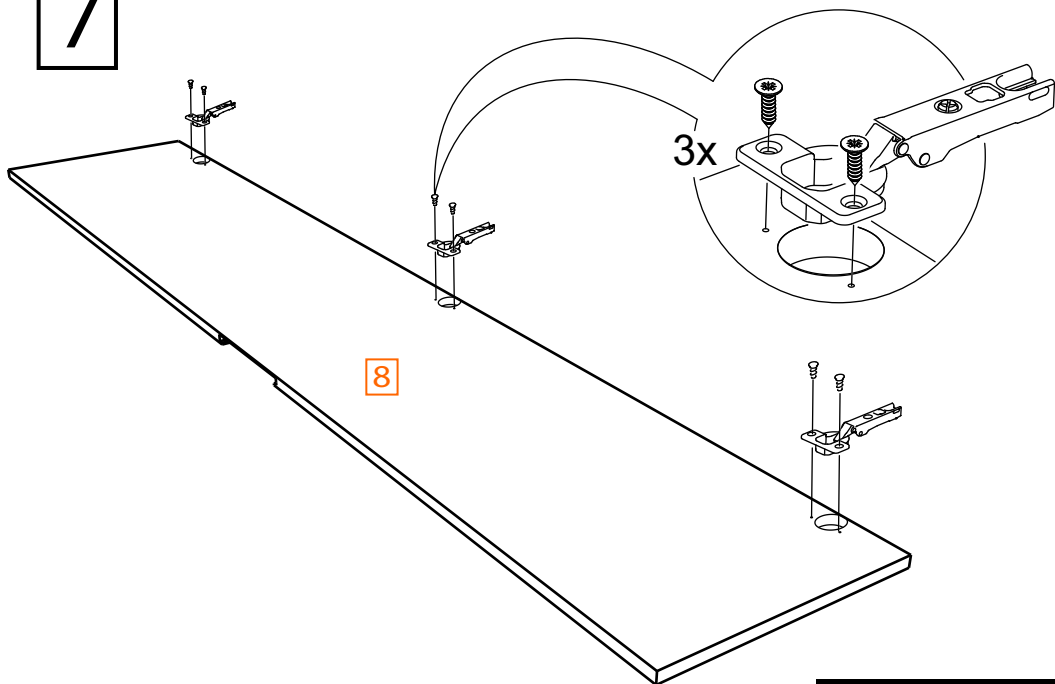
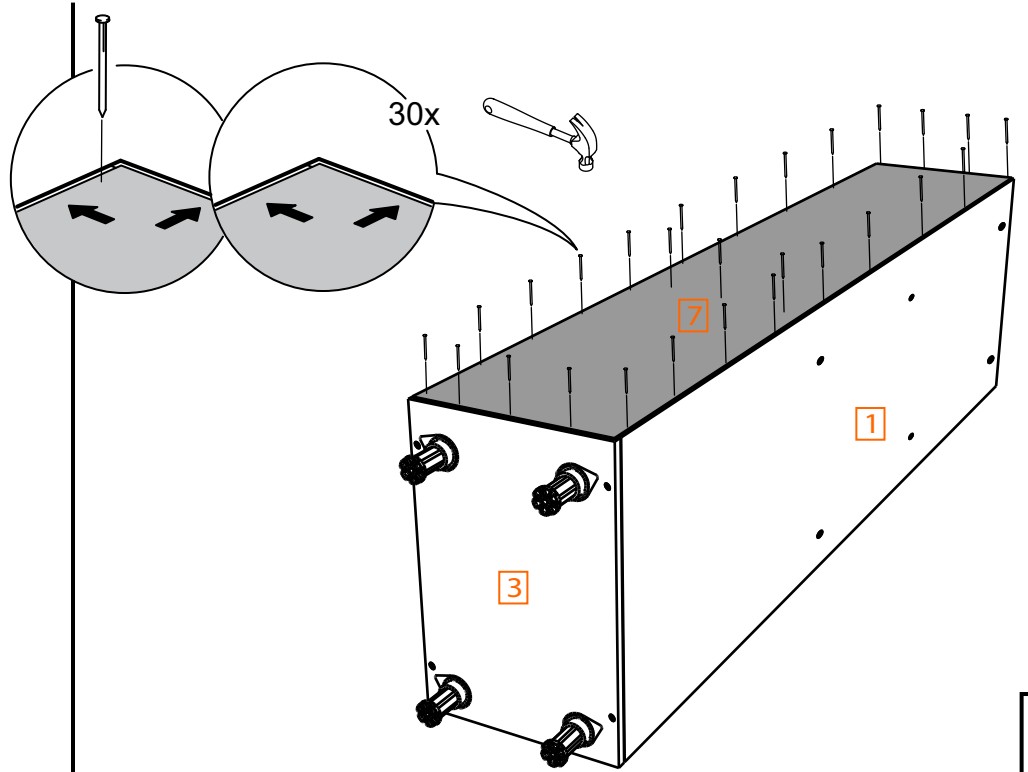
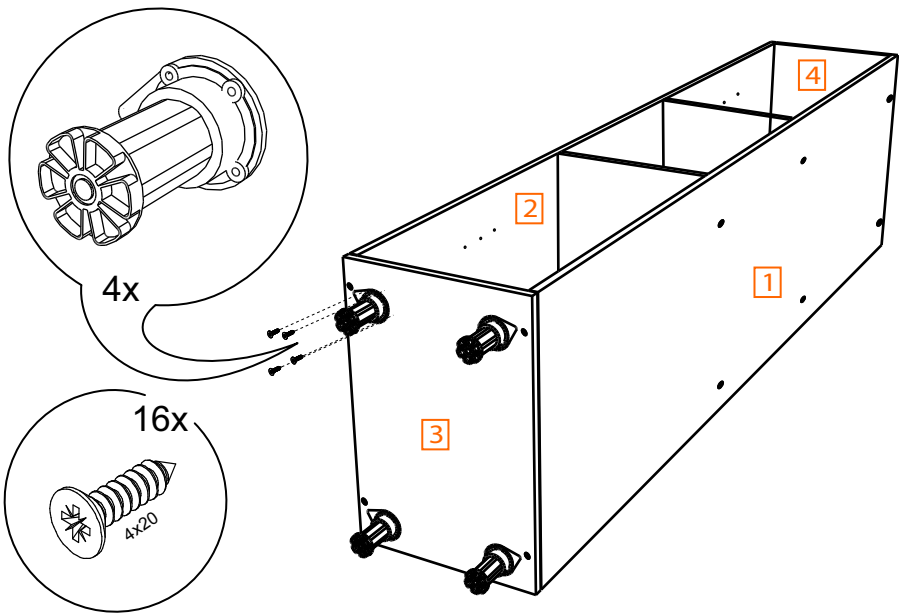


4x

5x50

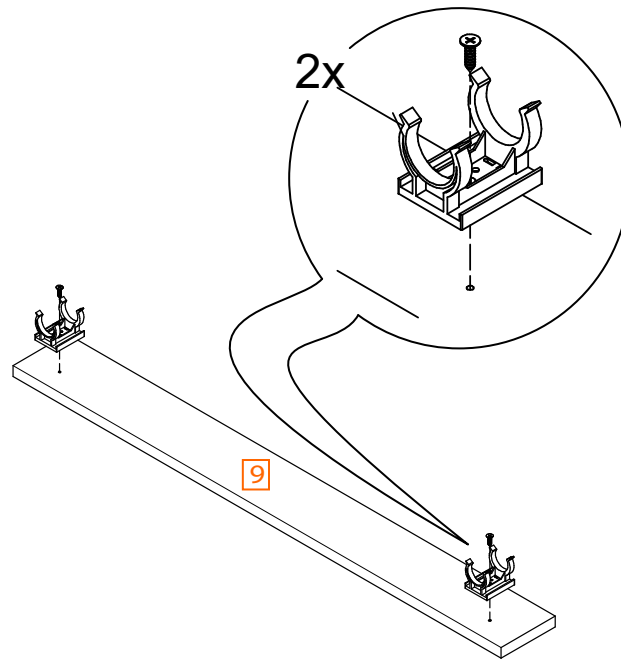
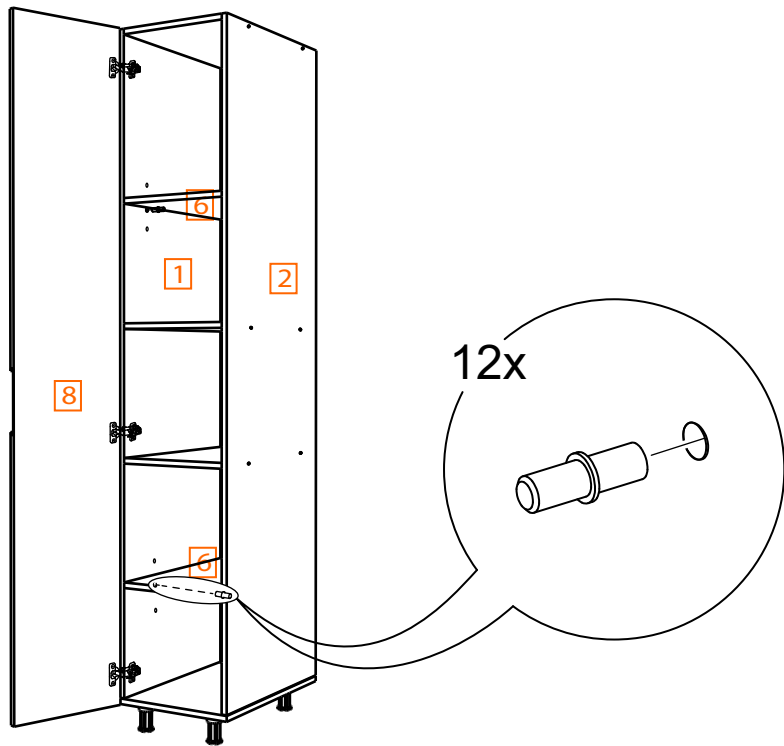


EO. 400

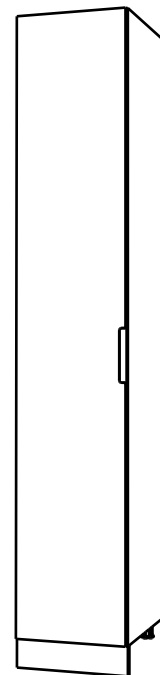
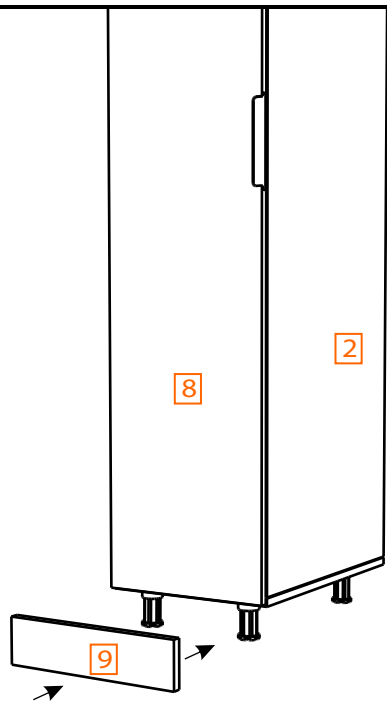


EO. 400

9
11



10



EO. 400