

Cant. Descriere

1 JP 4-47 S-BBVP

**Not ! Poza de produs poate diferi de produsul actual**Nr. Produs: [99458824](#)

Grundfos JP 4-47 S-BBVP is a self-priming single-stage centrifugal jet pump with axial inlet and radial outlet for easy adaption to local piping system. The JP pump is ideal for transferring water from wells or ground tanks in a large variety of installations and it has excellent suction capacity.

The JP pump is designed for a long and trouble-free operation. The overall design is robust with excellent corrosion resistance ensured by the stainless steel pump housing, composite impeller and paint application by electrophoresis. JP is small and compact with a lifting handle that makes the pump handy and easy to carry. The compact pump features a built in ejector with guide vanes. This ensures optimum self-priming properties, featuring a suction-lift up to 8 meters. The self-priming pump also ensures a stable operation as is it able to lift liquid from below the inlet level and can handle a mix of air and liquid until the pump reaches a fully-primed pumping condition.

The JP pump has built-in thermal protection, which immediately stops the pump if it overheats. The motor is air cooled and equipped with oversized, sealed, greased-for-life ball bearings to ensure silent operation and minimum service.

Lichid:

Lichid pompat: Ap
Gama temperaturii lichidului: 0 .. 40 °C
Temperatura lichidului în timpul func ion rii: 20 °C
Densitate: 998.2 kg/m³

Tehnic:

Debit nominal: 4 m³/h
Etan are primar a arborelui: BBVP
Aprob ri pe etichet : CE
Toleran a curbei: ISO9906:2012 3B
Rated driver speed: 2800 rpm

Materiale:

Corpul pompei (stator): O el inox
EN 1.4301
Corpul pompei: AISI 304
Rotor: Compozit

Instala ie:

Gama temperaturii ambientale: 0 .. 40 °C
Presiune de func ionare maxim : 6 bar
Maximum permissible inlet pressure: 1 bar
Aspira ie pomp : G1
Refulare pomp : G1

Date electrice:

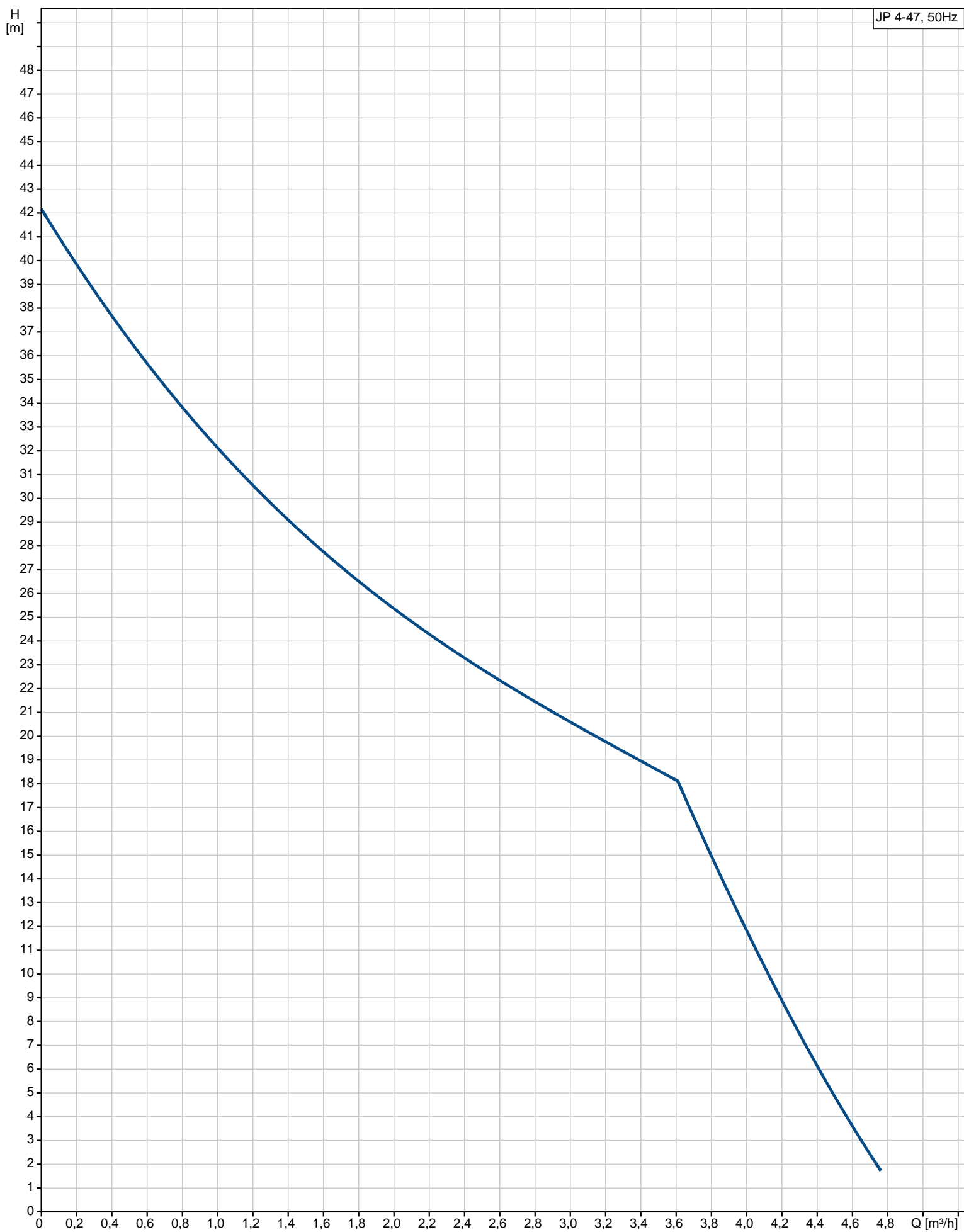
Puterea de intarare - P1: 850 W
Putere motor: 0.56 kW
Frecven a re elei electrice: 50 Hz
Tensiune nominal : 1 x 230 V
Curent nominal: 3.8 A
Curent de pornire: 11.3 A
Dimensiune condensator - func ionare: 13 µF/450 V
Grad de protec ie (IEC 34-5): IP44
Clas de izolare (IEC 85): F
Tip de conectare cablu: NONE

Cant.	Descriere
-------	-----------

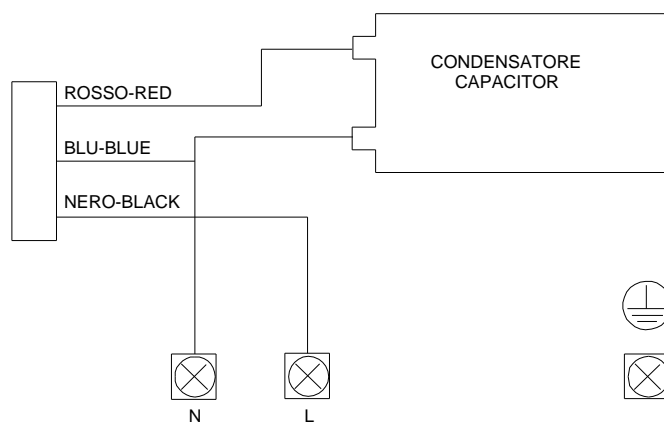
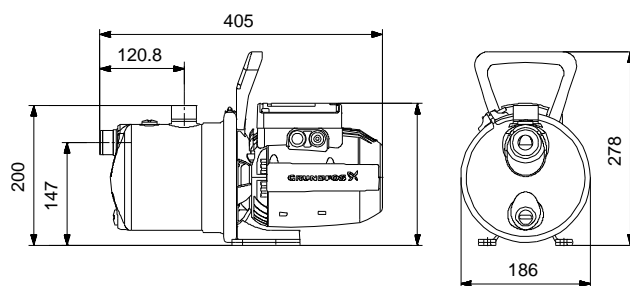
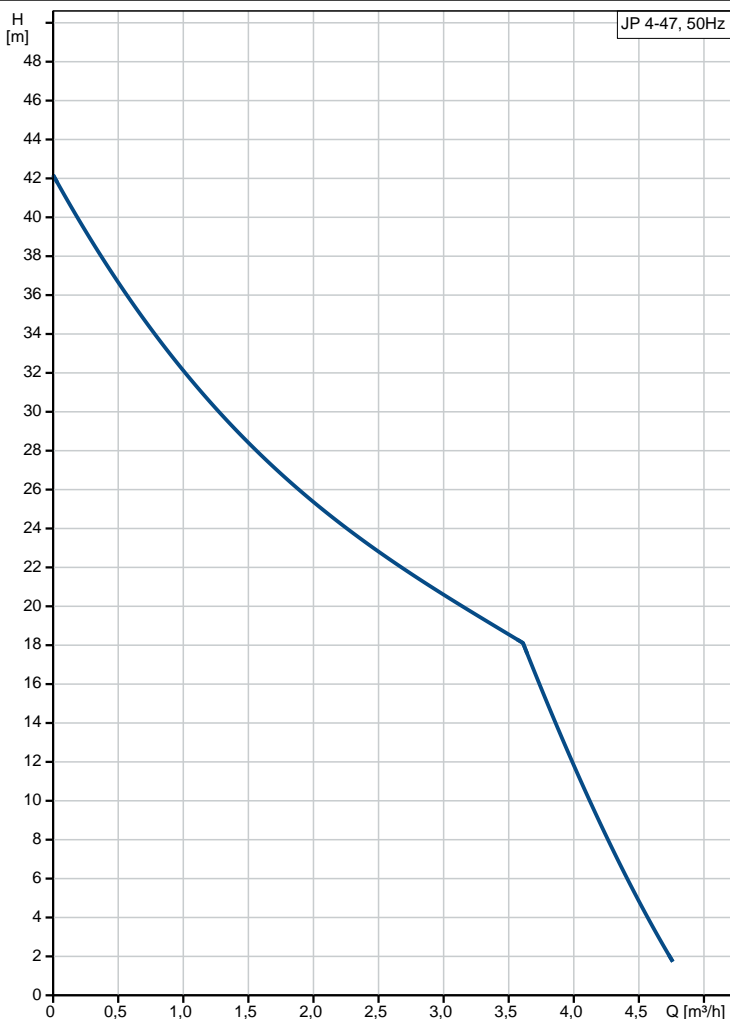
Altele:

Greutate net :	8 kg
Greutate brut :	10 kg
Volum de livrare:	0.026 m ³
ara de origine:	HU
Nr. tarif:	84137051

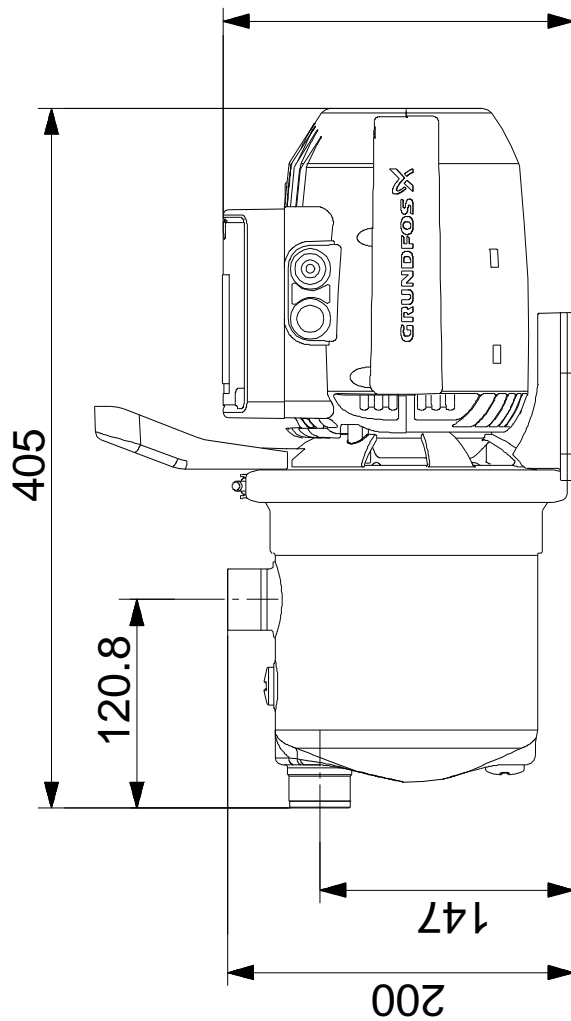
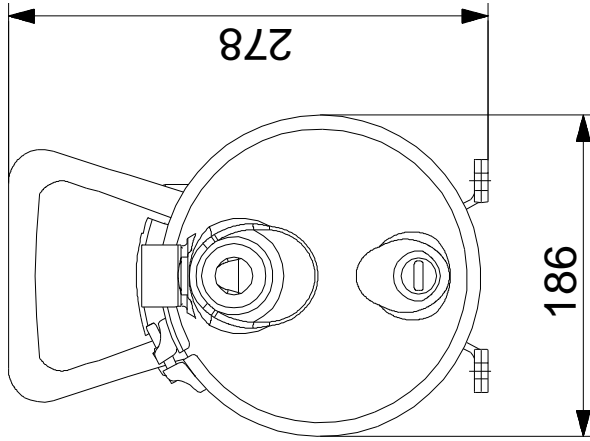
99458824 JP 4-47 S-BBVP 50 Hz



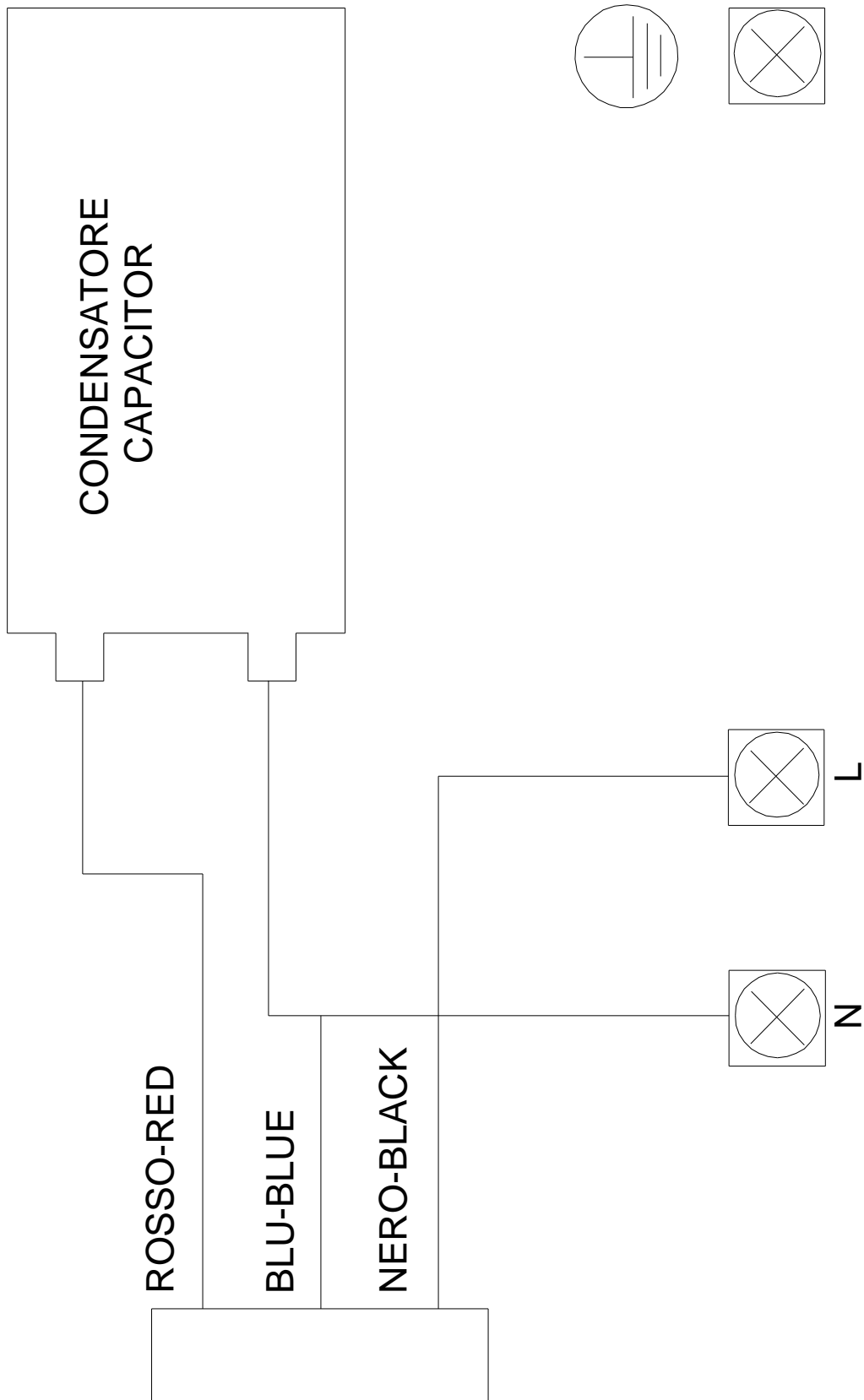
Descriere	Valori i tipuri
Informa ii generale:	
Nume produs::	JP 4-47 S-BBVP
Nr. produs::	99458824
Numărul EAN::	5713829460676 5713829460676
Tehnic:	
Debit nominal:	4 m ³ /h
În ltime de pompare max.:	47 m
Etan are primar a arborelui:	BBVP
Aprob ri pe etichet :	CE
Toleran a curbei:	ISO9906:2012 3B
Model:	A
Rated driver speed:	2800 rpm
Materiale:	
Corpul pompei (stator):	O el inox EN 1.4301
Corpul pompei:	AISI 304
Rotor:	Compozit
Cod material:	S
Instala ie:	
Gama temperaturii ambientale:	0 .. 40 °C
Presiune de func ionare maxim :	6 bar
Maximum permissible inlet pressure:	1 bar
Aspira ie pomp :	G1
Refulare pomp :	G1
Lichid:	
Lichid pompat:	Ap
Gama temperaturii lichidului:	0 .. 40 °C
Temperatura lichidului în timpul func ion rii:	20 °C
Densitate:	998.2 kg/m ³
Date electrice:	
Puterea de intarare - P1:	850 W
Putere motor:	0.56 kW
Frecven a re elei electrice:	50 Hz
Tensiune nominal :	1 x 230 V
Curent nominal:	3.8 A
Curent de pornire:	11.3 A
Dimensiune condensator - func ionare:	13 µF/450 V
Grad de protec ie (IEC 34-5):	IP44
Clas de izolare (IEC 85):	F
Tip de conectare cablu:	NONE
Cablu:	N
Control:	
Presostat:	f r control presiune
Înterup tor:	într. on/off neinclus
Alte:	
Greutate net :	8 kg
Greutate brut :	10 kg
Volum de livrare:	0.026 m ³
ara de origine:	HU
Nr. tarif:	84137051



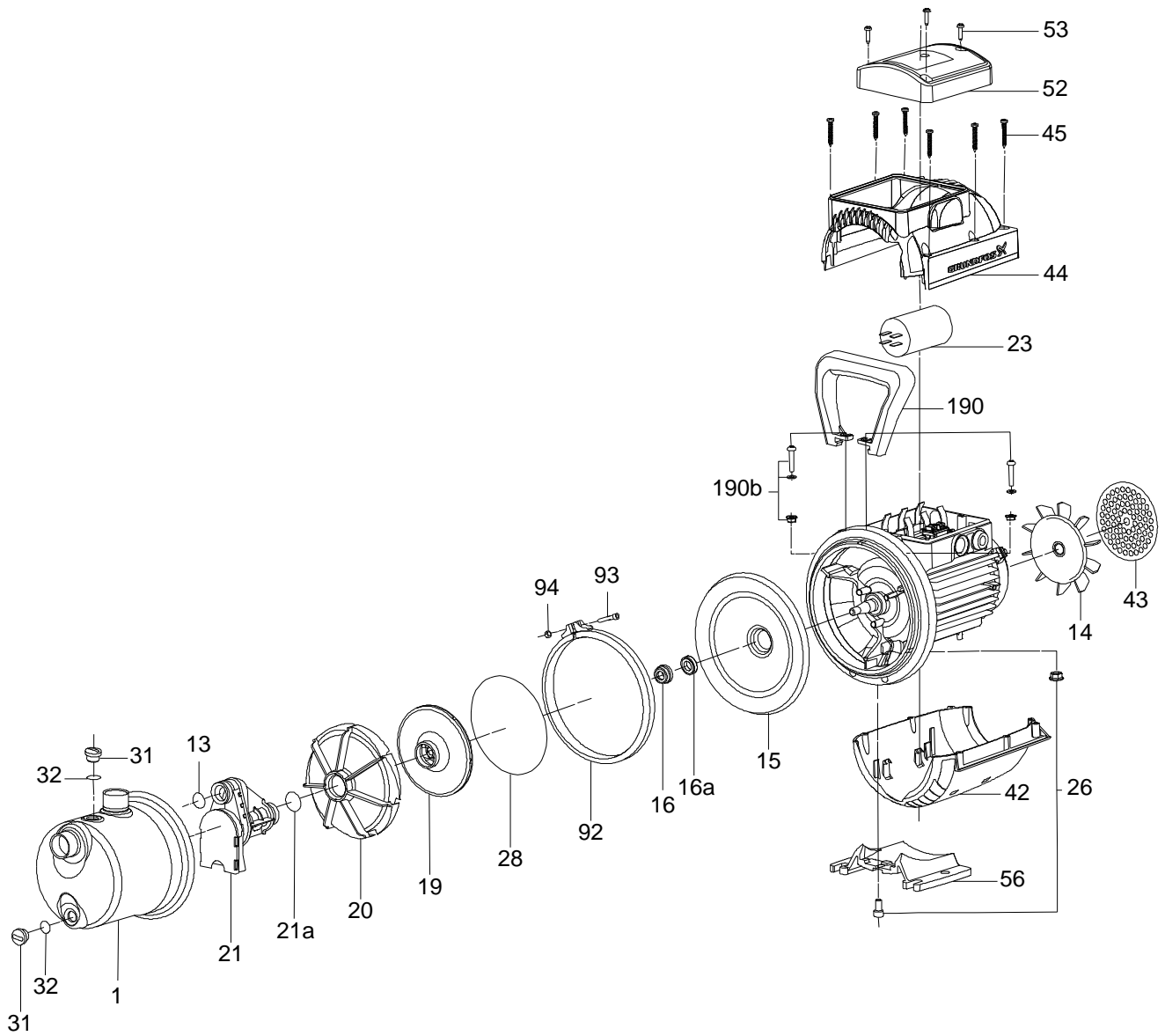
99458824 JP 4-47 S-BBVP 50 Hz



99458824 JP 4-47 S-BBVP 50 Hz



(TM072748 for JP)



Piese service JP 4-47, Nr. Produx 99458824
Produced After 1905 (production year and week number)

Pos	Description	Annotation	Classification Data	Part no.	Qty.	Unit
-	Bulk, pipe plug			99521030	1	pcs
32	Priz				2	
-	Kit, lifting handle			99521000	1	pcs
190b	Fastener				2	
190b	urub				2	
190b	Piuli				2	
190	M ner				1	
-	Kit, motor cover			99521002	1	pcs
42	Lower part				1	
43	Carcasa ventilatorului				1	
44	Upper part				1	
45	urub				6	
	Kit, motor cover			99723671	1	pcs
-	Kit, picior			99658433	1	pcs
	urub				1	
	Piuli				1	
56	Picior				1	
-	Set, carcasa pompei			99521027	1	pcs
1	Pomp				1	
28	Inel O				1	
32	Priz				2	
92	Pies fixare				1	
93	urub		Lungime: 30 Filet: M6		1	
94	Sp I tor				1	
94	Piuli				1	
-	Set, etan are			99520998	1	pcs
16	Etan are inel, rotativ				1	
16	Etan are				1	
16	Etan are				1	
16	Inel O				1	
-	Set, inele O			99577668	1	pcs
21a	Inel O				2	
28	Inel O				1	
-	Set, p r i hidraulice			98715216	1	pcs
19	Rotor				1	
20	Difuzor				1	
21	Venturi				1	
28	Inel O				1	
-	Spare, capacitor			99521046	1	pcs
23	Condensator				1	
-	Spare, motor fan cover			99577662	1	pcs
14	Ventilator				1	