
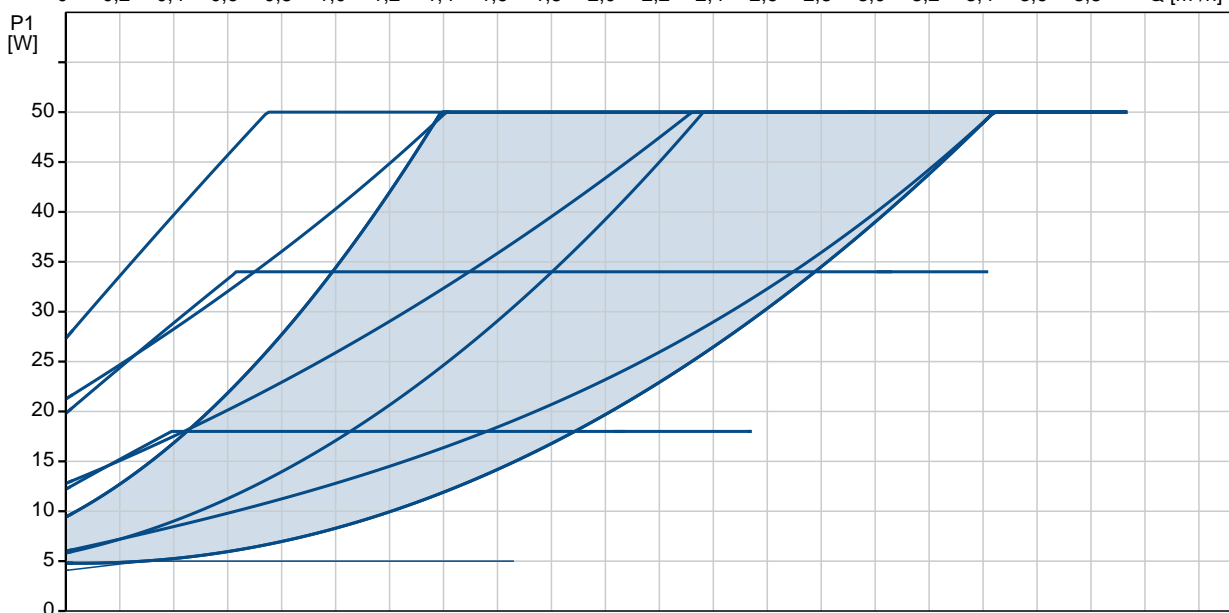
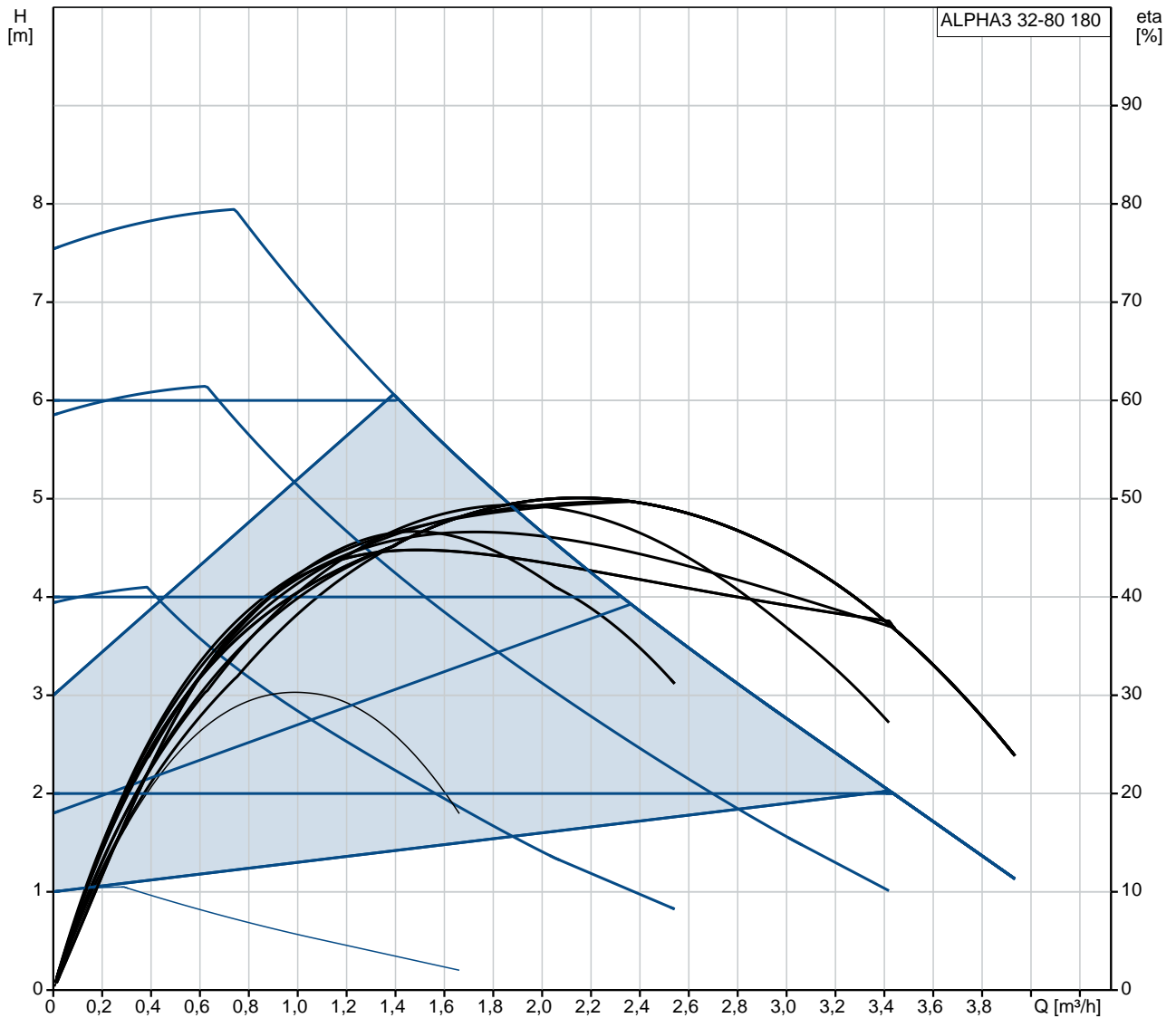


Cant.	Descriere
1	<p data-bbox="212 342 438 371">ALPHA3 32-80 180</p> <div data-bbox="320 405 464 595" style="text-align: center;">  </div> <p data-bbox="212 663 464 692">Nr. Produs: La cerere</p> <p data-bbox="212 723 1378 797">High-efficiency circulator pump with permanent-magnet motor (ECM technology) and integrated electronic performance adaptation due to continuously variable speed control for circulation of clean heating water according to VDI 2035.</p> <p data-bbox="212 806 464 835">Features and benefits:</p> <ul data-bbox="212 837 1445 1368" style="list-style-type: none"> • New Read out of pump performance. Enable the use of ALPHAreader for heat emission balancing. • New Adv. Dry run protection. Protect the pump in case of no water in the pump. • New Improved start. Secure start under tough conditions • New Manual Summer mode. Save energy during summertime and ensure safe start in the heating season • AUTOADAPT function will automatically find the best setpoint- save energy consumption and set-up time. • Insulating shells are supplied with pumps to minimize heat loss in heating and cooling systems. • Display showing actual power consumption in Watt or actual flow in m³/h to control design paramters. • Best energy efficiency index (EEL) in the market provide highest energy savings during a year. • Stainless-steel pump housings are available if the application is sensitive or SS is a demand. • Energieeinsparverordnung – EnEV §14(3). Complies with the German regulation for energy saving in buildings and building systems • Automatic Night Setback that further reduces the energy consumption. • Simple selection among three constant-pressure curves, three proportional-pressure curves or three fixed speeds with only one button . Quick and simple setup. • ALPHA plug. Easy, quick and safe electrical connection. • ALPHA2 is suitable for cold-water systems. Higher application flexibility . • Electro-coated pump housing. No corrosion issues. • No external motor protection is required. Reduced installation time and costs. <p data-bbox="212 1429 300 1458">Lichid:</p> <p data-bbox="212 1460 778 1574">Lichide pompatate: Ap Gama temperaturii lichidului: 2 .. 110 °C Temperatura lichidului în timpul func ion rii: 60 °C Densitate: 983.2 kg/m³</p> <p data-bbox="212 1608 304 1637">Tehnic:</p> <p data-bbox="212 1639 715 1697">Clasa TF: 110 Aprob ri pe etichet : VDE,GS,CE</p> <p data-bbox="212 1731 331 1760">Materiale:</p> <p data-bbox="212 1762 767 1877">Corpul pompei (stator): Font EN-GJL-150 ASTM A48-150B Rotor: PES 30%GF</p> <p data-bbox="212 1910 331 1939">Instala ie:</p> <p data-bbox="212 1942 683 2085">Gama temperaturii ambientale: 0 .. 40 °C Presiune de func ionare maxim : 10 bar Racordarea pompei la instala ie: G 2 Presiune maxim de func ionare: PN 10 Distan a dintre porturi: 180 mm</p>

Cant.	Descriere																				
	<p>Date electrice:</p> <table><tr><td>Putere de intrudus - P1:</td><td>3 .. 50 W</td></tr><tr><td>Frecven a re elei electrice:</td><td>50 Hz</td></tr><tr><td>Tensiune nominal :</td><td>1 x 230 V</td></tr><tr><td>Curent consumat maxim:</td><td>0.04 .. 0.44 A</td></tr><tr><td>Grad de protec ie (IEC 34-5):</td><td>X4D</td></tr><tr><td>Clas de izolare (IEC 85):</td><td>F</td></tr></table> <p>Altele:</p> <table><tr><td>Energy (EEI):</td><td>0.18</td></tr><tr><td>Greutate net :</td><td>2.18 kg</td></tr><tr><td>Greutate brut :</td><td>2.3 kg</td></tr><tr><td>Volum de transport:</td><td>0.004 m³</td></tr></table>	Putere de intrudus - P1:	3 .. 50 W	Frecven a re elei electrice:	50 Hz	Tensiune nominal :	1 x 230 V	Curent consumat maxim:	0.04 .. 0.44 A	Grad de protec ie (IEC 34-5):	X4D	Clas de izolare (IEC 85):	F	Energy (EEI):	0.18	Greutate net :	2.18 kg	Greutate brut :	2.3 kg	Volum de transport:	0.004 m ³
Putere de intrudus - P1:	3 .. 50 W																				
Frecven a re elei electrice:	50 Hz																				
Tensiune nominal :	1 x 230 V																				
Curent consumat maxim:	0.04 .. 0.44 A																				
Grad de protec ie (IEC 34-5):	X4D																				
Clas de izolare (IEC 85):	F																				
Energy (EEI):	0.18																				
Greutate net :	2.18 kg																				
Greutate brut :	2.3 kg																				
Volum de transport:	0.004 m ³																				

La cerere ALPHA3 32-80 180 50 Hz



Descriere	Valori i tipuri
-----------	-----------------

Informa ii generale:

Nume produs:: ALPHA3 32-80 180
 Nr. produs:: La cerere
 Numărul EAN:: La cerere

Tehnic:

În l ime de pompare max.: 80 dm
 Clasa TF: 110
 Aprob ri pe etichet : VDE,GS,CE
 Model: A

Materiale:

Corpul pompei (stator): Font
 EN-GJL-150
 ASTM A48-150B
 Rotor: PES 30%GF

Instala ie:

Gama temperaturii ambientale: 0 .. 40 °C
 Presiune de func ionare maxim : 10 bar

Racordarea pompei la instala ie: G 2

Presiune maxim de func ionare: PN 10

Distan a dintre porturi: 180 mm

Lichid:

Lichide pompate: Ap
 Gama temperaturii lichidului: 2 .. 110 °C
 Temperatura lichidului în timpul func ion rii: 60 °C

Densitate: 983.2 kg/m³

Date electrice:

Putere de introdus - P1: 3 .. 50 W
 Frecven a re elei electrice: 50 Hz
 Tensiune nominal : 1 x 230 V
 Curent consumat maxim: 0.04 .. 0.44 A
 Grad de protec ie (IEC 34-5): X4D
 Clas de izolare (IEC 85): F
 Tip protec ie motor încorporat : F R
 Protec ie termic : ELEC

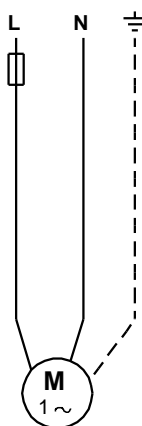
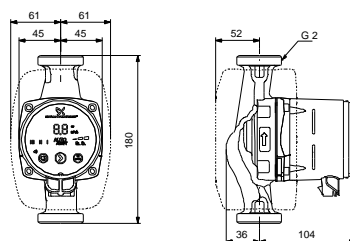
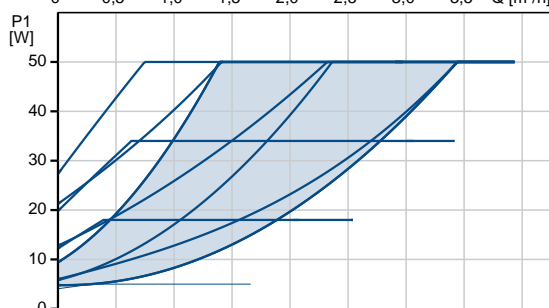
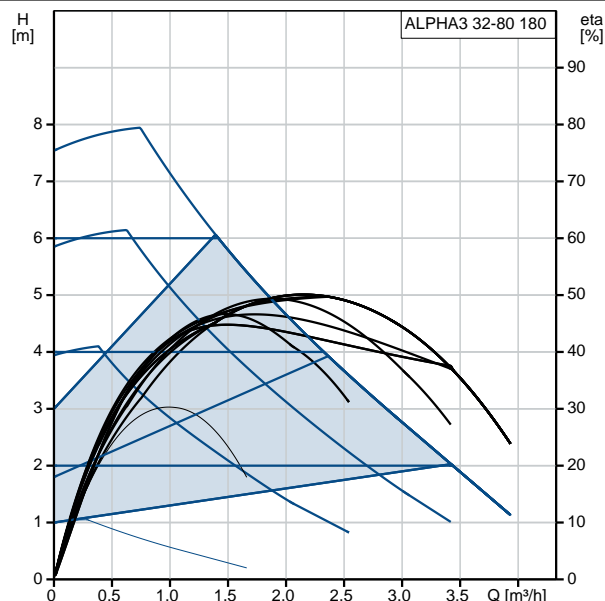
Control:

Automat noaptea: func ionare redus automat pe timp te noapte inclus

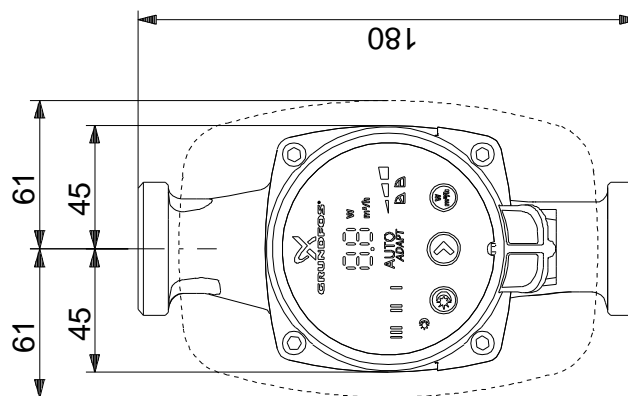
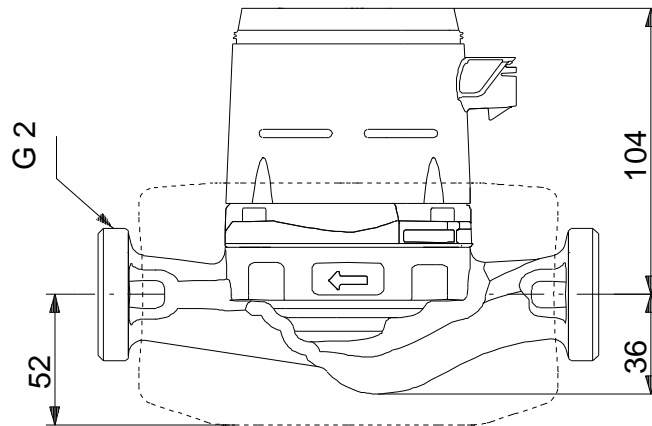
Pozi ia cutiei de conexiuni: 6H

Altele:

Energy (EEI): 0.18
 Greutate net : 2.18 kg
 Greutate brut : 2.3 kg
 Volum de transport: 0.004 m³
 Regiuni de vânzare: D

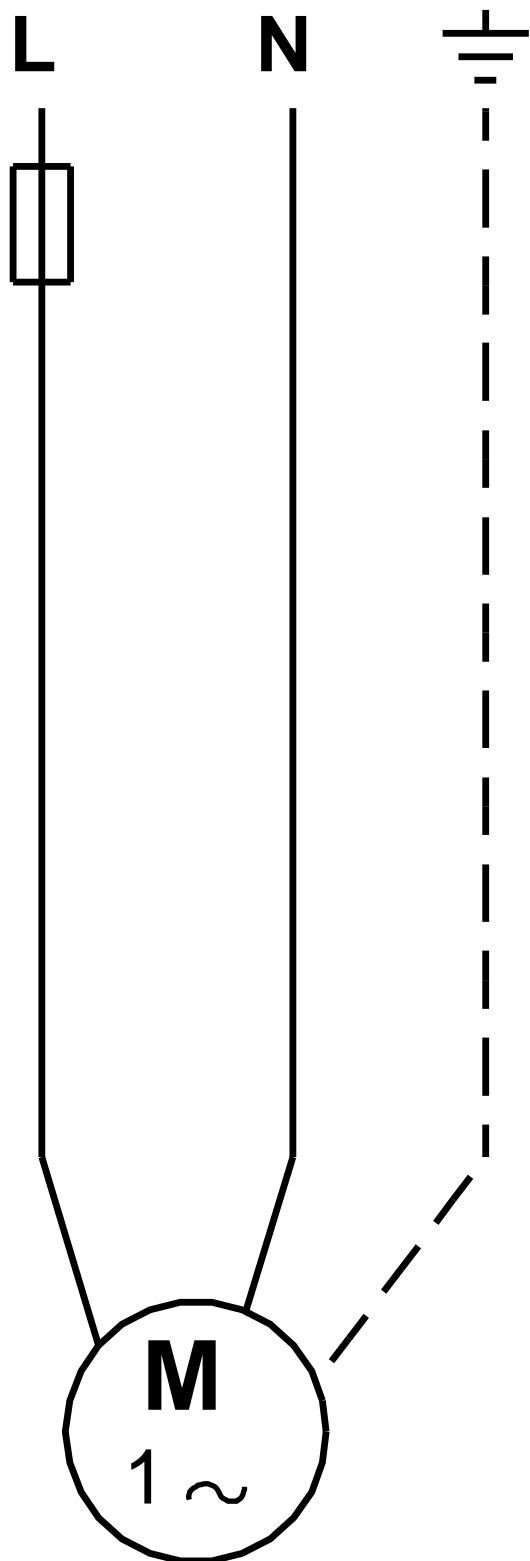


La cerere ALPHA3 32-80 180 50 Hz



Not : Toate unit ile sunt in [mm] daca nu sunt altele specificate.
Negare: Acest desen dimensional simplificat nu prezint toate detaliile.

La cerere ALPHA3 32-80 180 50 Hz



Not ! Toate unit ile sunt în [mm] dac nu sunt altele specificate.