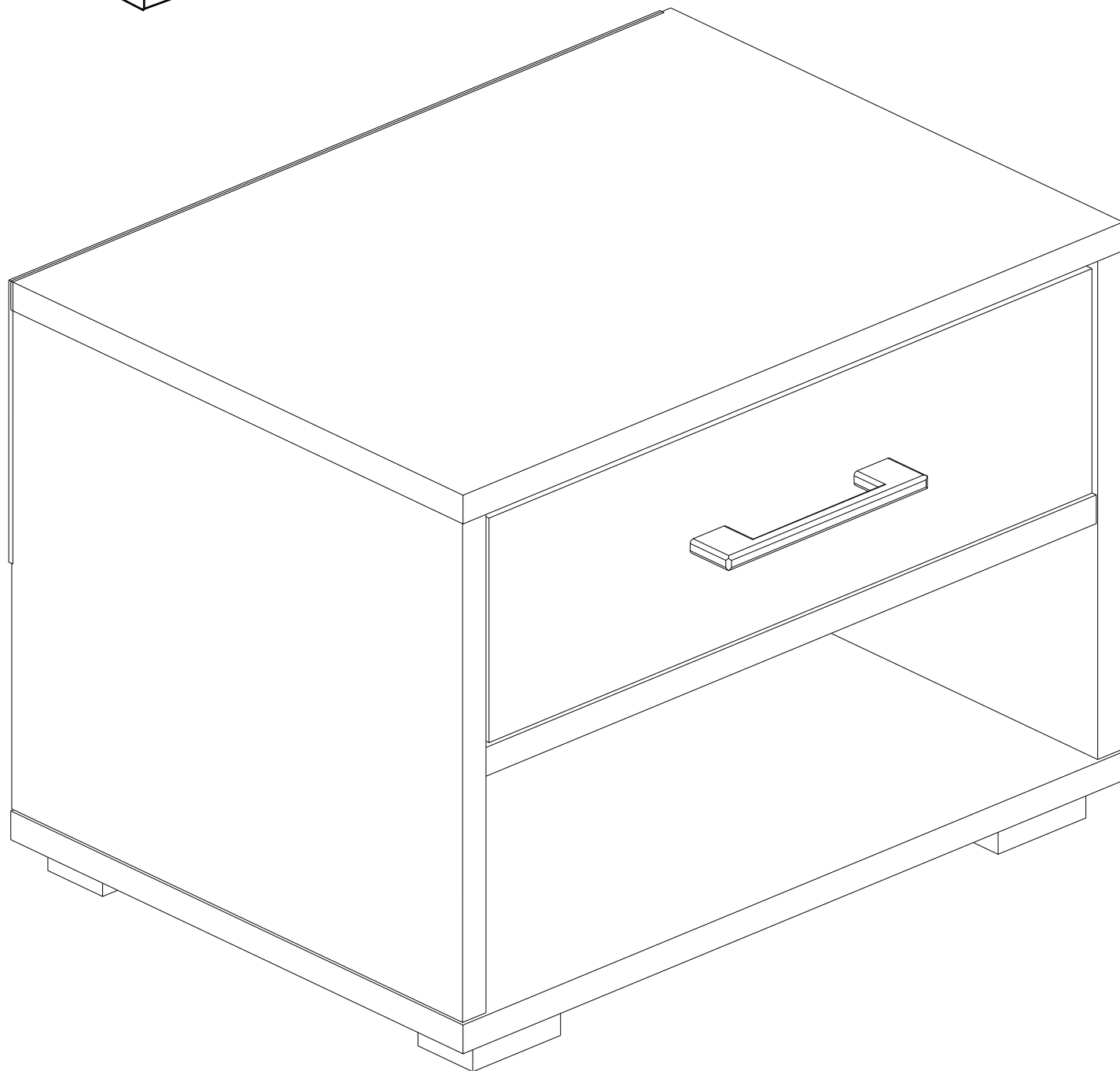
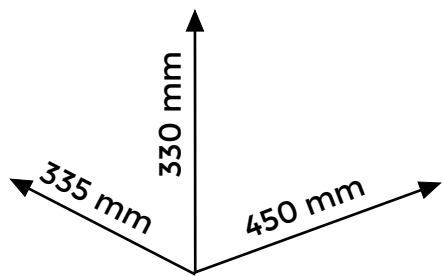


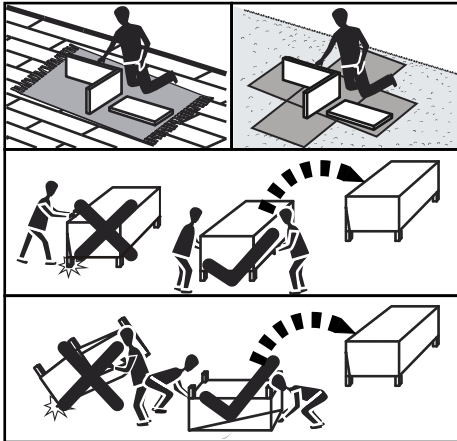
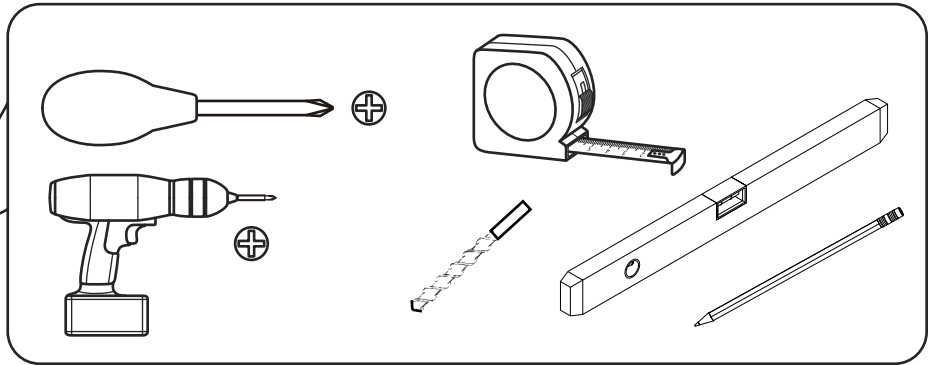
Dormitor CALIN

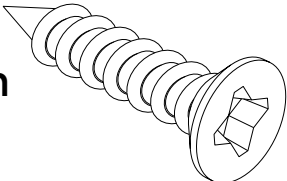
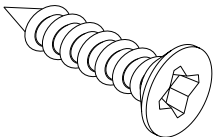
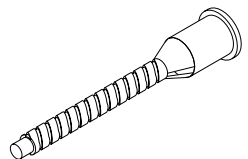
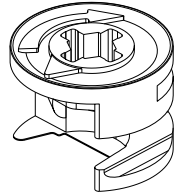
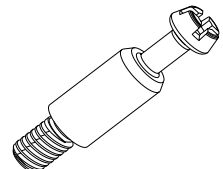
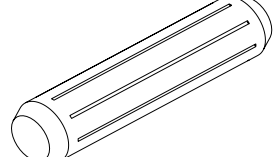
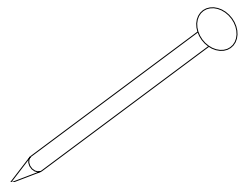
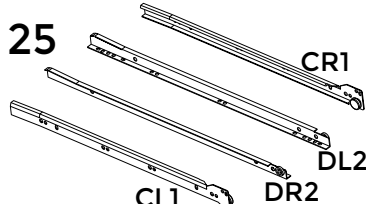
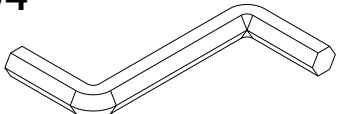
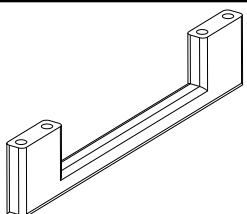
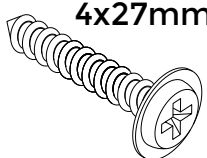
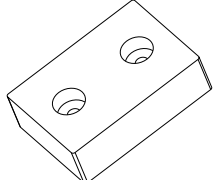
NOPTIERA

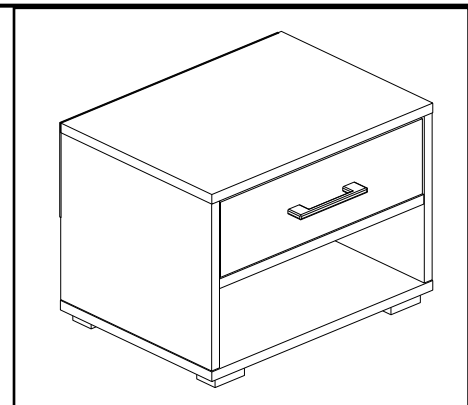
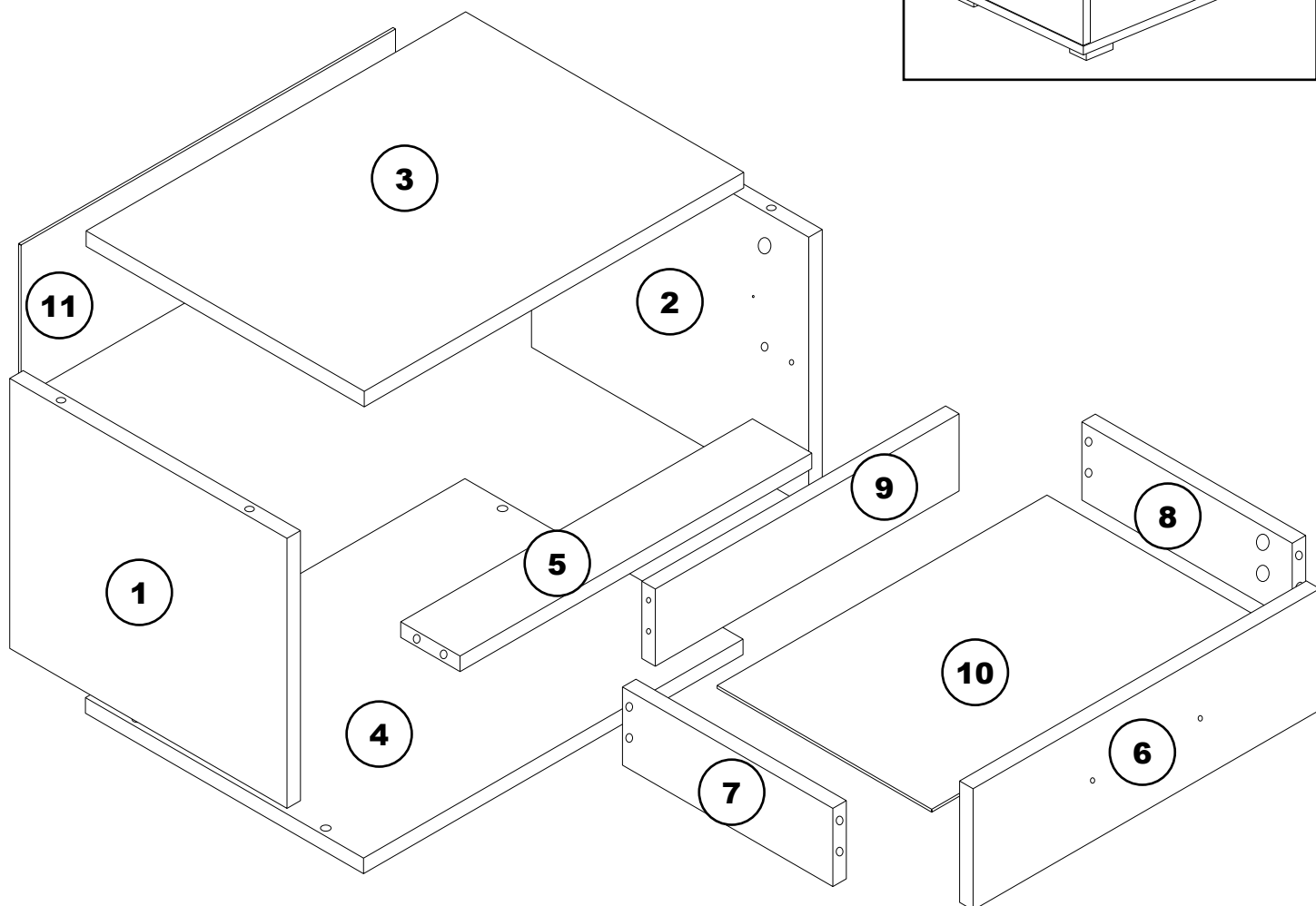


Dormitor CALIN

NOPTIERA

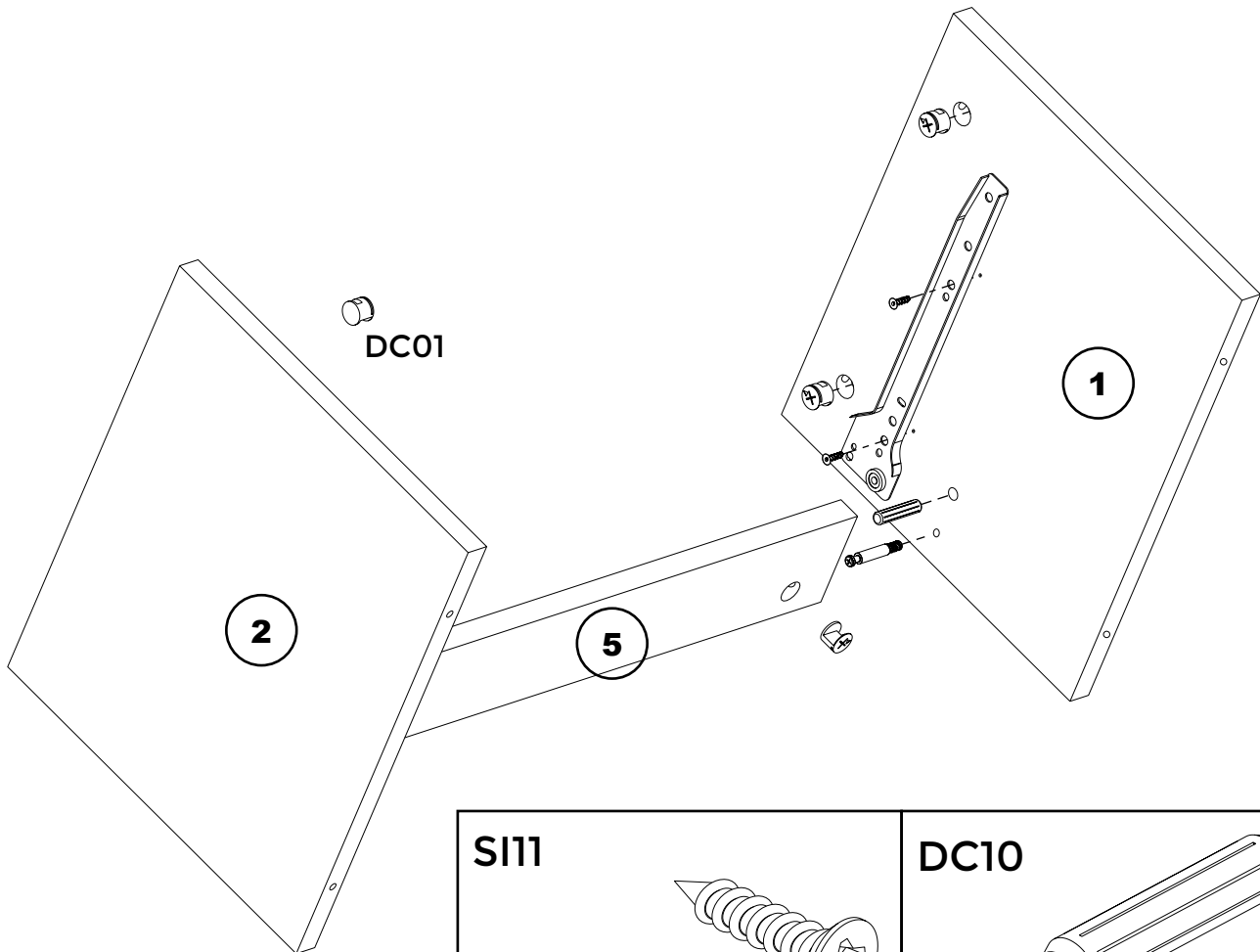
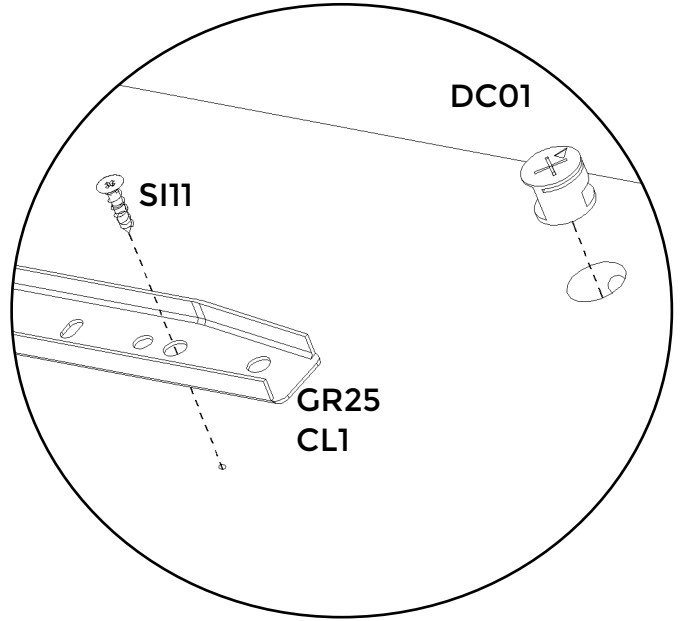
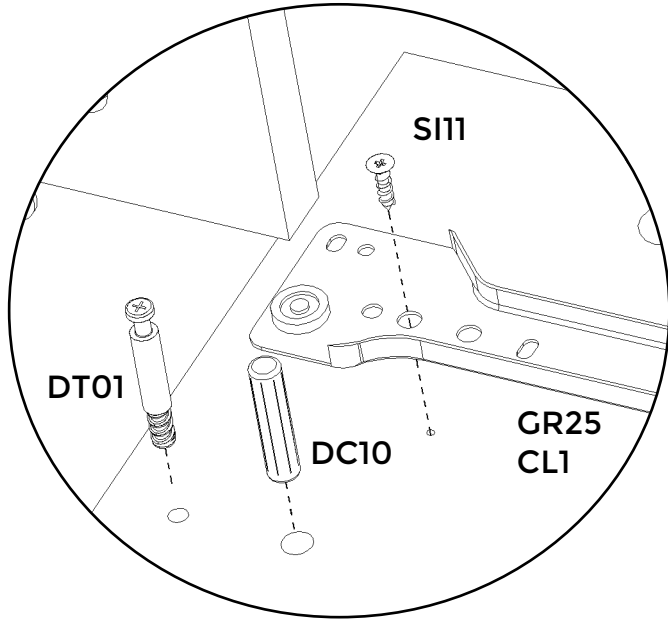


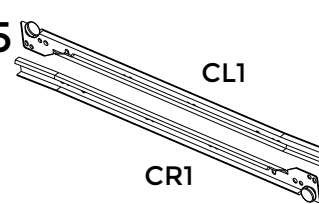
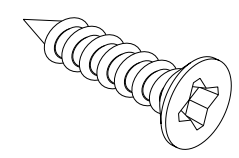
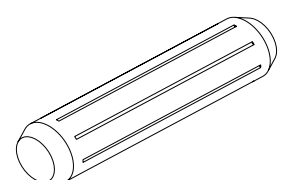
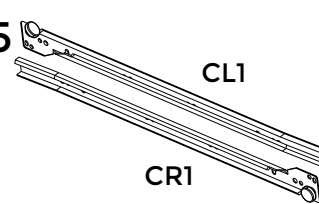
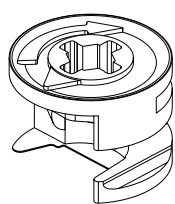
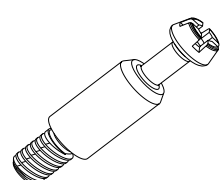
<p>SI15 25mm X 8</p> 	<p>SI11 x 10</p> 	<p>SE50 x 8</p> 
<p>DC01 x 10</p> 	<p>DT01 x 10</p> 	<p>DC10 x 2</p> 
<p>CT01 X ≈20</p> 	<p>GR 25 x1</p>  <p>CR1 DL2 CL1 DR2</p>	<p>HH04 x 1</p> 
<p>MP 128 x 1</p> 	<p>SM27 x 2</p>  <p>4x27mm</p>	<p>PD05 X 4</p> 



NR	COD	Buc	NR	COD	Buc	NR	COD	Buc
1	0401	1	5	0405	1	9	0409	1
2	0402	1	6	0406	1	10	0410	1
3	0403	1	7	0407	1	11	0411	1
4	0404	1	8	0408	1			

1

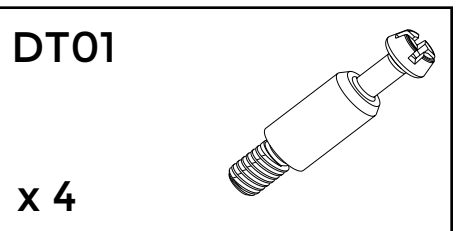
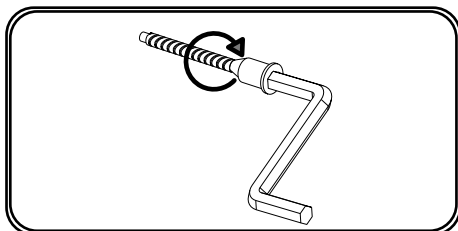
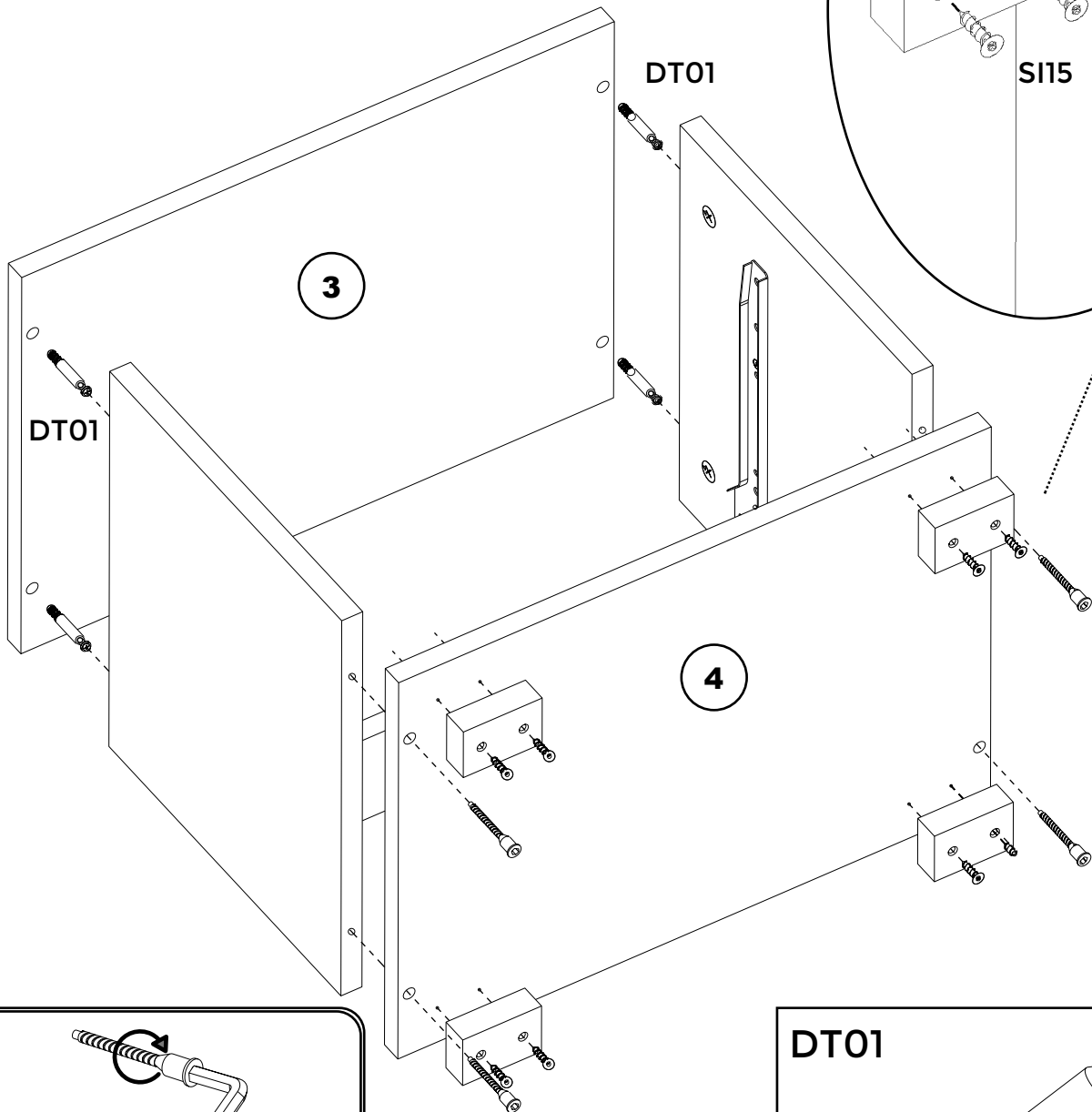
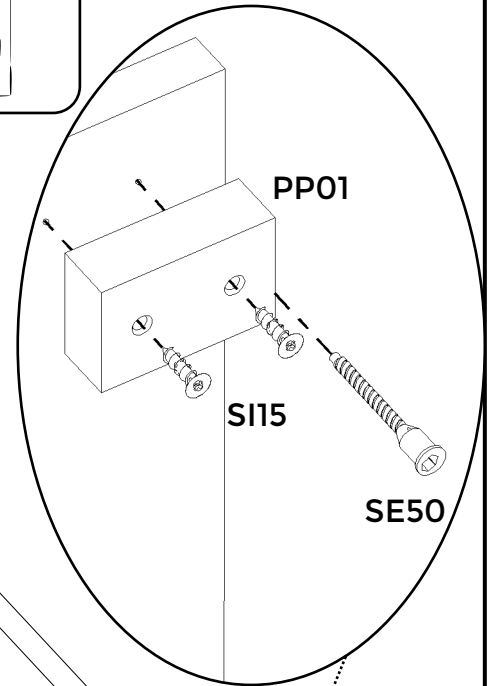
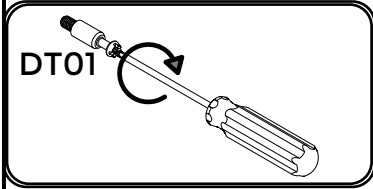
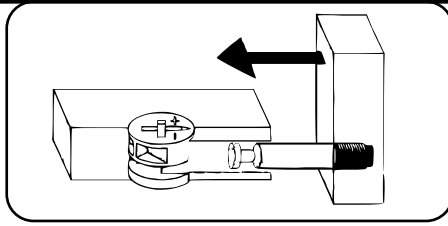
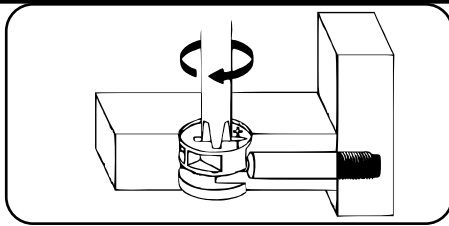


<p>GR 25 CL1 CR1</p> <p>x 1</p> 	<p>SI11</p> <p>x 4</p> 	<p>DC10</p> <p>x 2</p> 
<p>GR 25 CL1 CR1</p> <p>x 1</p> 	<p>DC01</p> <p>x 6</p> 	<p>DT01</p> <p>x 2</p> 

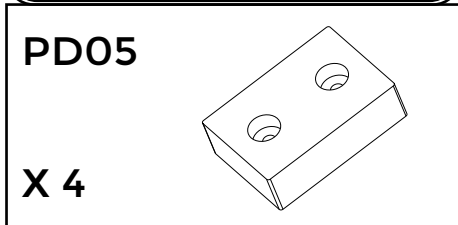
Dormitor CALIN

NOPTIERA

2

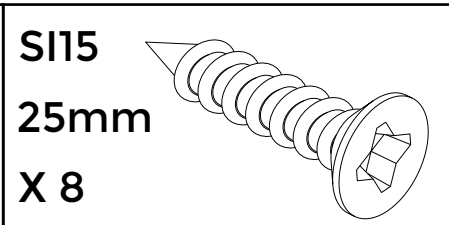


x 4

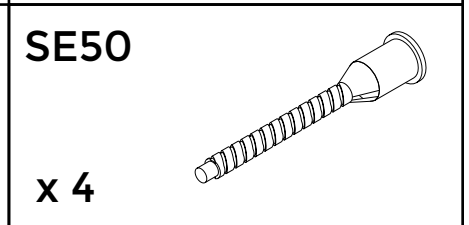


PD05

X 4



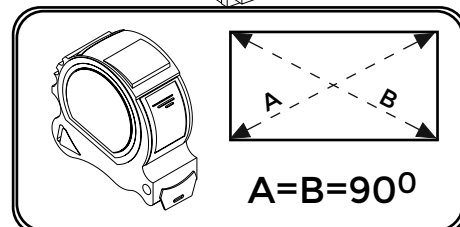
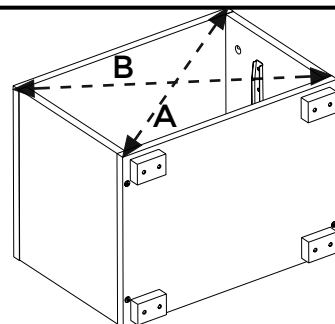
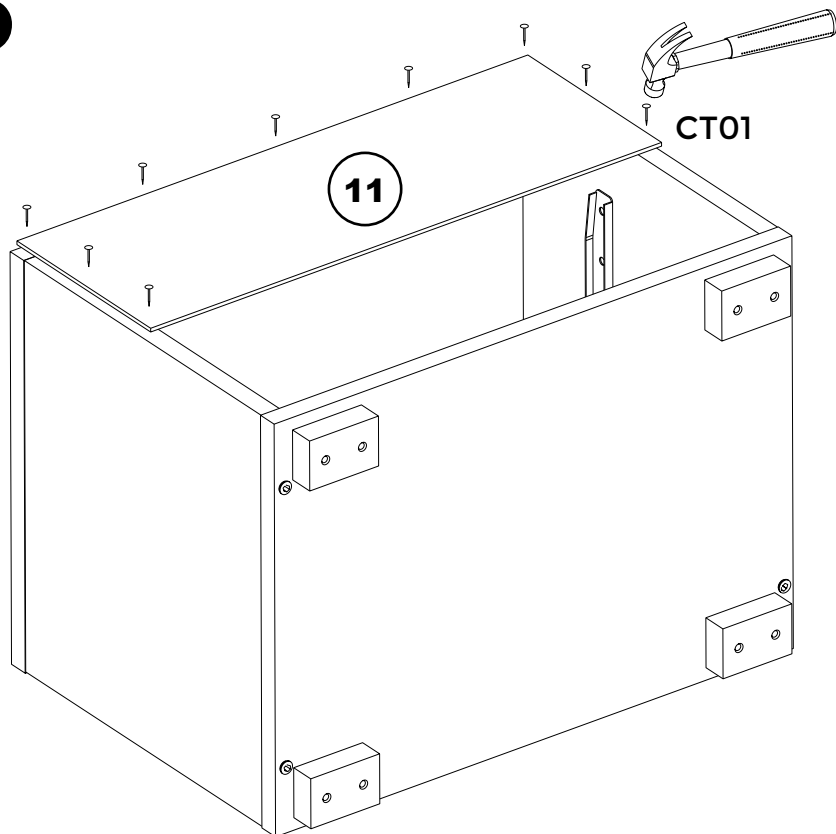
SI15
25mm
X 8



SE50

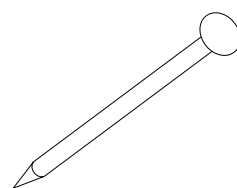
x 4

3

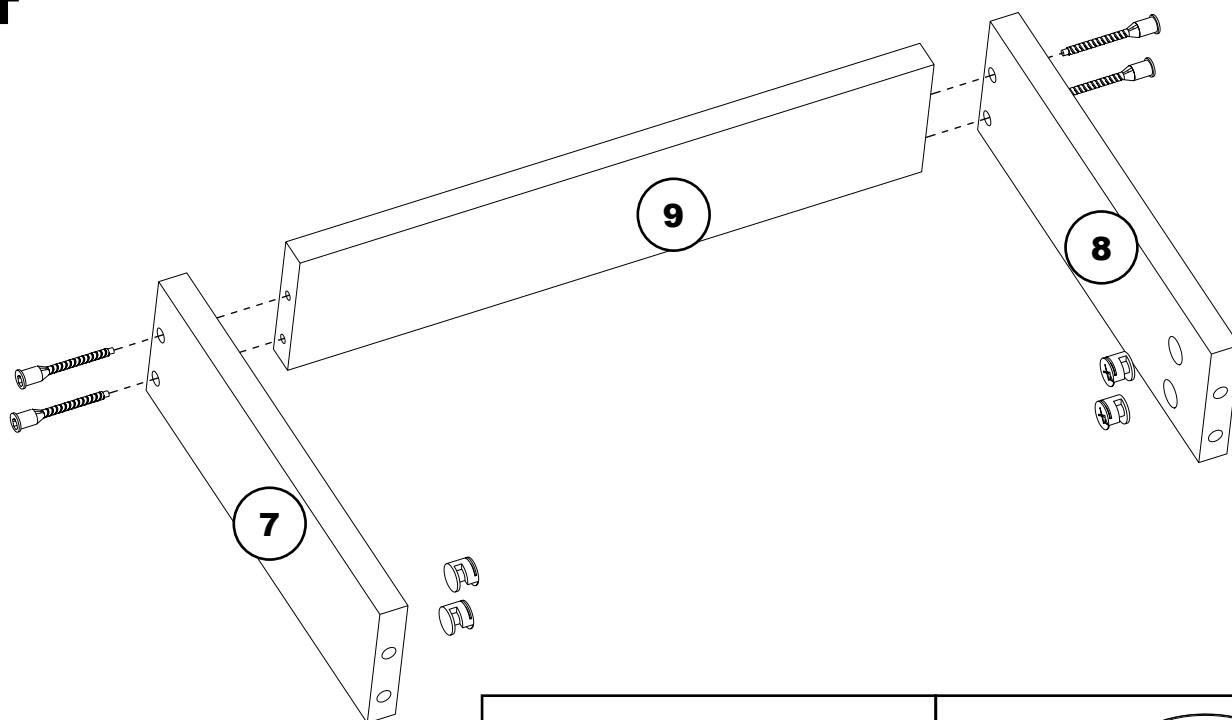


CT01

X ≈ 9

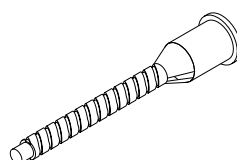


4



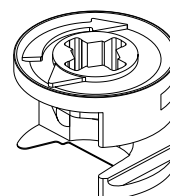
SE50

x 4

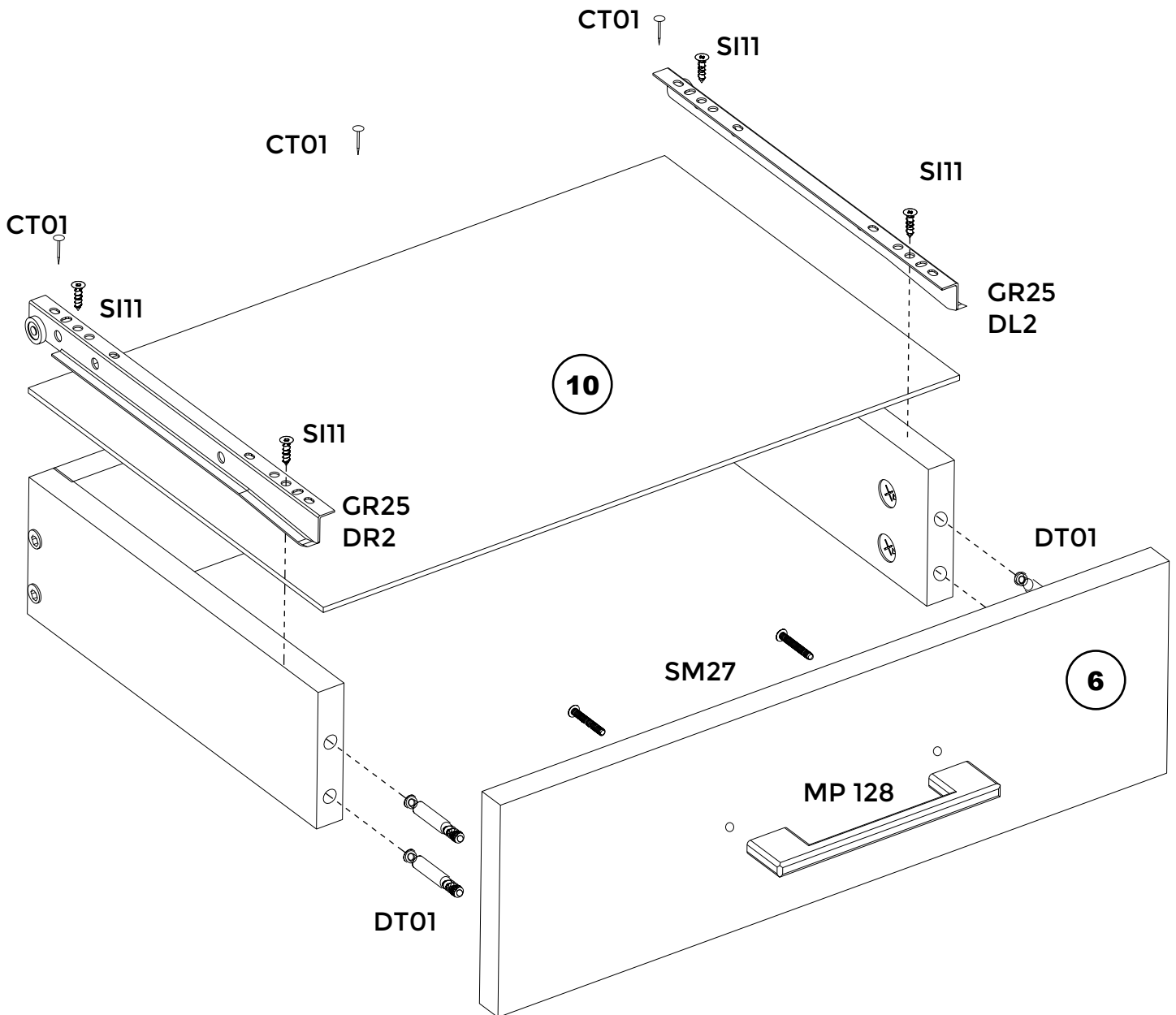
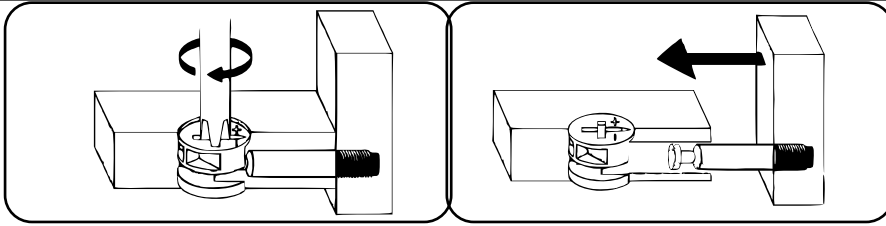


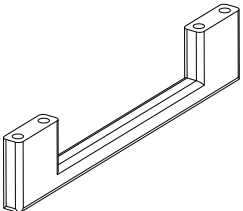
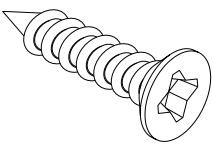
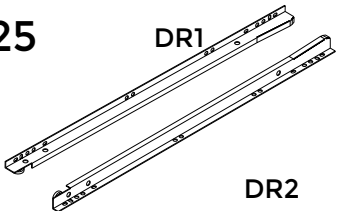
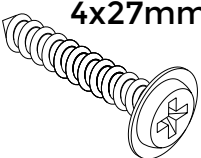
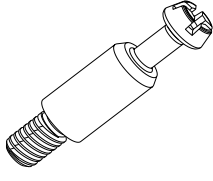
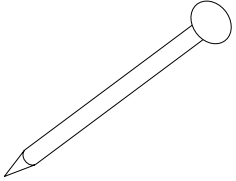
DC01

x 4



5



<p>MP 128</p>  <p>x 1</p>	<p>SI11</p>  <p>x 4</p>	<p>GR 25</p>  <p>DR1 DR2</p> <p>x 1</p>
<p>SM27</p>  <p>4x27mm</p> <p>x 2</p>	<p>DT01</p>  <p>x 4</p>	<p>CT01</p>  <p>x ≈ 3</p>

6

