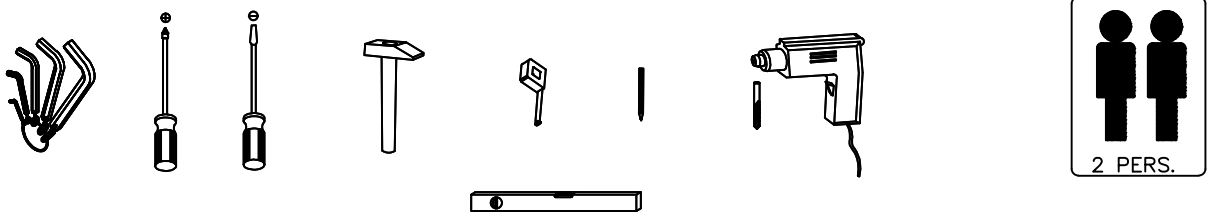
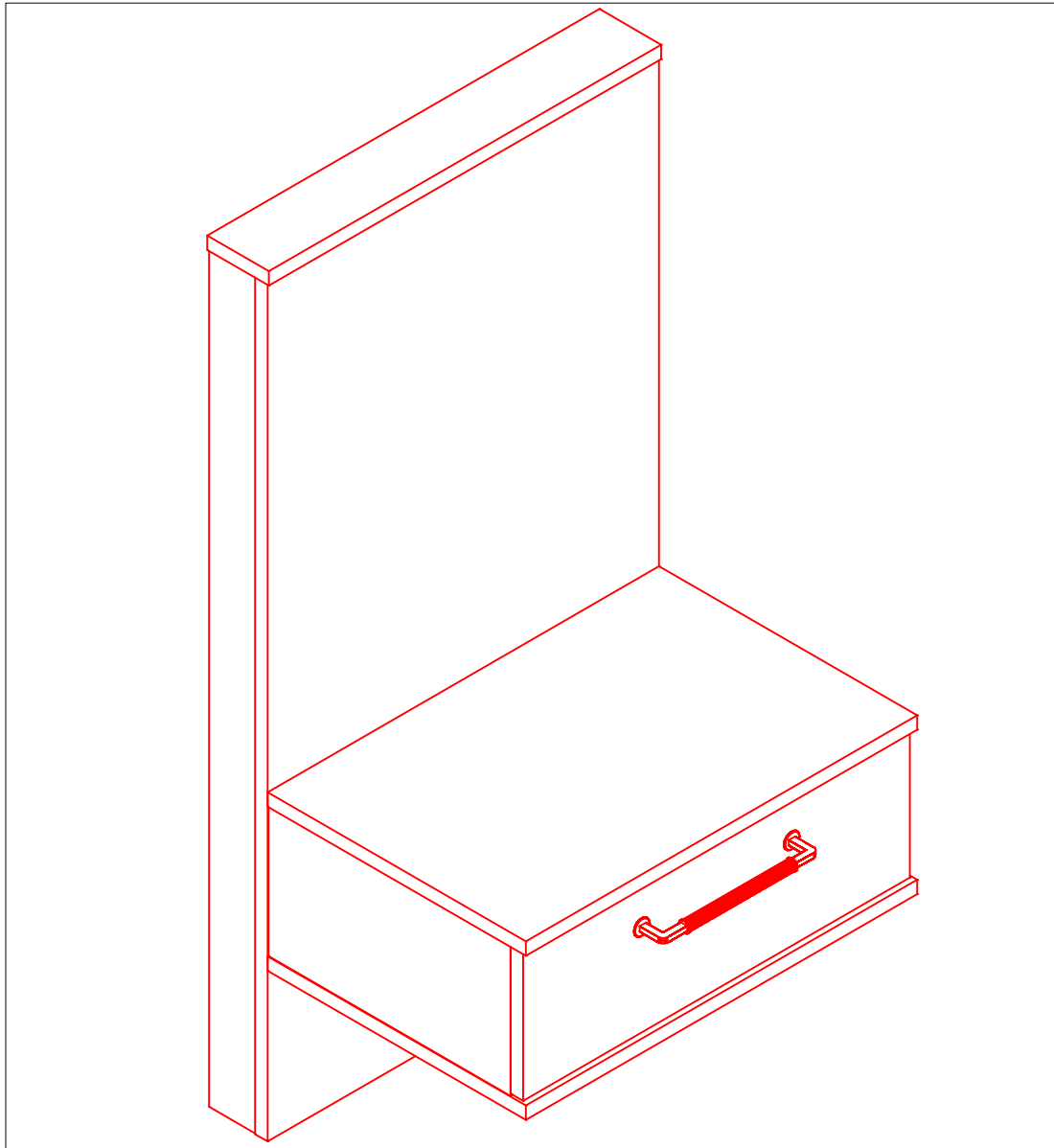
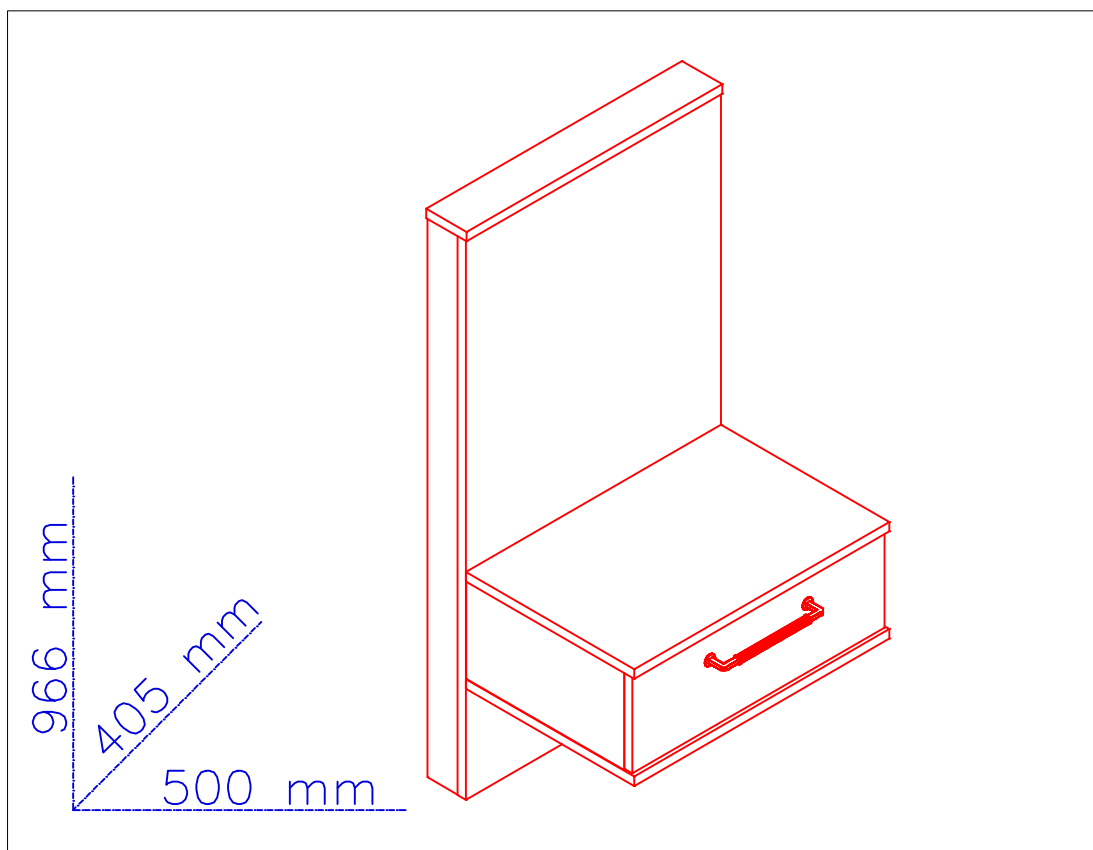


Assembly instructions Instrucțiuni de montare

PRODUCT: BEDROOM COLONIAL –Bedside
PRODUS : DORMITOR COLONIAL Noptiera




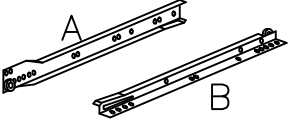



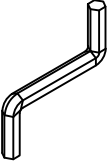
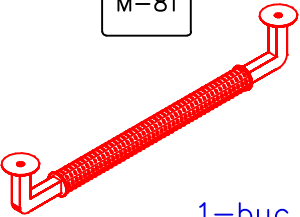

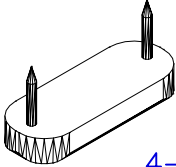


PRODUCT: BEDROOM COLONIAL –Bedside
PRODUS : DORMITOR COLONIAL Noptiera



Materiale:

- Placi din aschii de lemn (PAL), meleminate de grosime = 16 mm
- Placi din fibre de lemn de inalta densitate (HDF) de grosime = 3 mm
- Cant ABS 0.5 mm – Carcasa
- Elemente de imbinare din lemn si metalice
- Manere metal
- Glisiere metalice la sertare

<p>D-001</p>  <p>20-buc</p>	<p>D-002</p>  <p>20-buc</p>	<p>E-50</p>  <p>8-buc</p>	<p>DRW-300</p>  <p>2-buc</p>
<p>T-01</p>  <p>10-buc</p>	<p>S1-16</p> <p>ø3.5x16</p>  <p>8-buc</p>	<p>S1-30</p> <p>ø3.5x30</p>  <p>4-buc</p>	<p>HEX</p>  <p>1-buc</p>
<p>M-81</p>  <p>1-buc</p>	<p>S3-22</p>  <p>2-buc</p>	<p>P-04</p>  <p>4-buc</p>	

Coduri				
Cod		Buc	Dimensiuni	
4640201	1	2	65	950
4640202	2	1	502	81.5
4640203	3	1	500	951
4640204	4	1	310.5	168
4640205	5	1	310.5	168
4640206	6	2	500	330
4640207	7	1	495	163
4640208	8	1	409	100.5
4640209	9	1	300	100.5
4640210	10	1	300	100.5
4640211	11	1	441	305

