

# SKIL®

## HEAT GUN 8020 (VA1\*8020\*\*) 8040 (VA1\*8040\*\*)



<b>GB</b>	ORIGINAL INSTRUCTIONS	7	<b>UA</b>	ОРИГІНАЛЬНА ІНСТРУКЦІЯ З ЕКСПЛУАТАЦІЇ	65
<b>F</b>	NOTICE ORIGINALE	10	<b>GR</b>	ΠΡΟΤΟΤΥΠΟ ΟΔΗΓΙΩΝ ΧΡΗΣΗΣ	69
<b>D</b>	ORIGINALBETRIEBSANLEITUNG	14	<b>RO</b>	INSTRUCȚIUNI DE FOLOSIRE ORIGINALE	73
<b>NL</b>	ORIGINELE GEBRUIKSAANWIJZING	17	<b>BG</b>	ОРИГИНАЛНО РЪКОВОДСТВО ЗА ЕКСПЛОАТАЦИЯ	76
<b>S</b>	BRUKSANVISNING I ORIGINAL	21	<b>SK</b>	PŮVODNÝ NÁVOD NA POUŽITIE	80
<b>DK</b>	ORIGINAL BRUGSANVISNING	24	<b>HR</b>	ORIGINALNE UPUTE ZA RAD	84
<b>N</b>	ORIGINAL BRUKSANVISNING	27	<b>SRB</b>	ORIGINALNO UPUTSTVO ZA RAD	87
<b>FIN</b>	ALKUPERÄISET OHJEET	31	<b>SLO</b>	IZVIRNA NAVODILA	90
<b>E</b>	MANUAL ORIGINAL	34	<b>EST</b>	ALGUPÄRANE KASUTUSJUHEND	94
<b>P</b>	MANUAL ORIGINAL	38	<b>LV</b>	ORIĢINĀLĀ LIETOŠANAS PAMĀCĪBA	97
<b>I</b>	ISTRUZIONI ORIGINALI	42	<b>LT</b>	ORIGINALI INSTRUKCIJA	101
<b>H</b>	EREDETI HASZNÁLATI UTASÍTÁS	45	<b>MK</b>	ИЗБОРНО УПАТСТВО ЗА РАБОТА	104
<b>CZ</b>	PŮVODNÍM NÁVODEM K POUŽÍVÁNÍ	49	<b>AL</b>	UDHËZIMET ORIGINALE	108
<b>TR</b>	ORİJİNAL İŞLETME TALİMATI	52	<b>AR</b>	دليل الاستعمال	118
<b>PL</b>	INSTRUKCJA ORYGINALNA	56	<b>FA</b>	راهنمای اصلی	116
<b>RU</b>	ПОДЛИННИК РУКОВОДСТВА ПО ЭКСПЛУАТАЦИИ	60			



[www.skil.com](http://www.skil.com)



1

**8020**

**2000**  
Watt

**0,8 kg**

**350 - 500**  
l/min

**50°C**  
**600°C**

**220**  
**240**  
V~  
50-60 Hz

**8040**

**2000**  
Watt

**0,8 kg**

**250 - 500**  
l/min

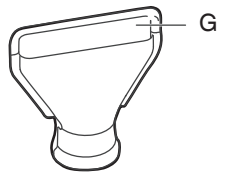
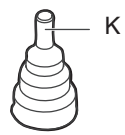
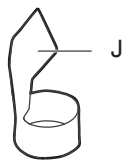
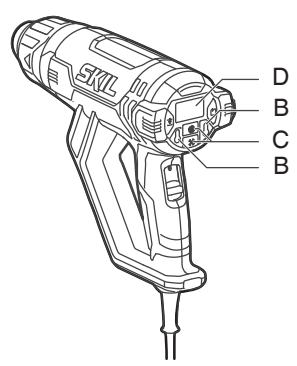
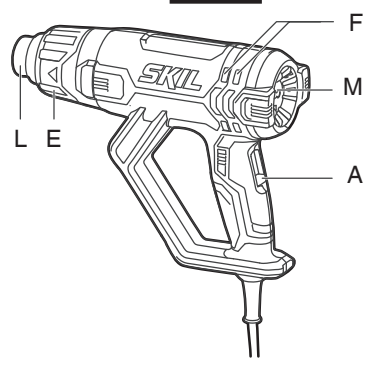
**50°C**  
**650°C**

**220**  
**240**  
V~  
50-60 Hz

2

**8020**

**8040**



3



4

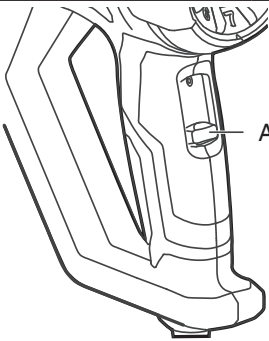
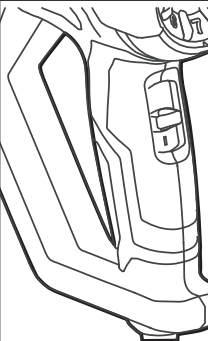
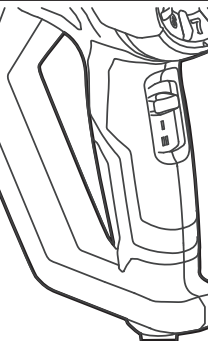
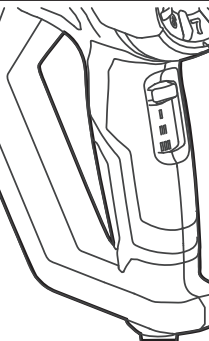



5

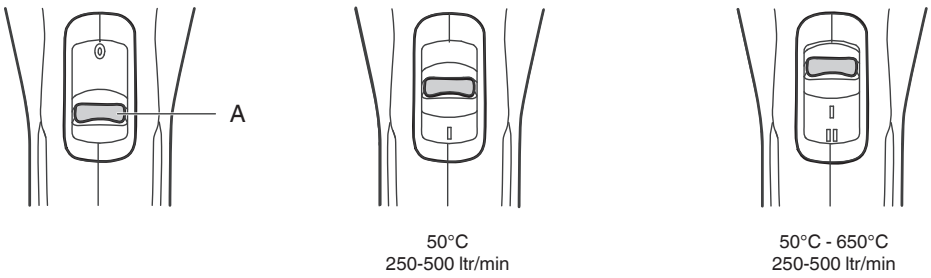


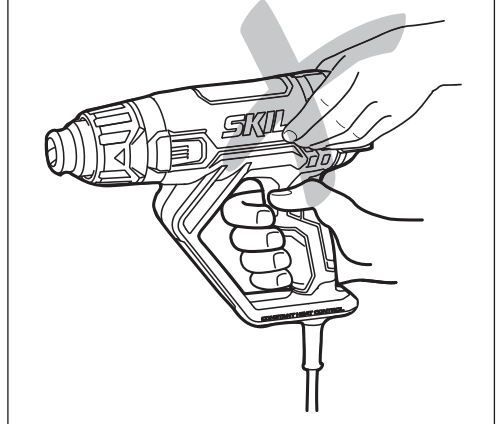
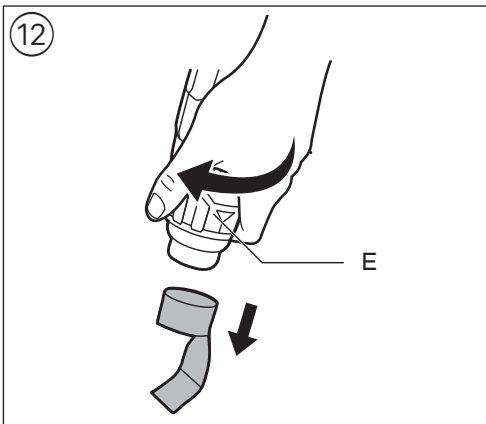
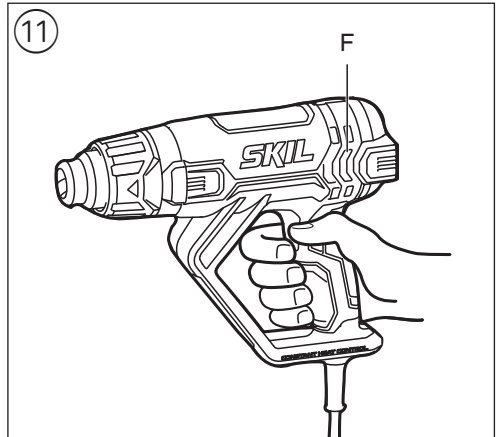
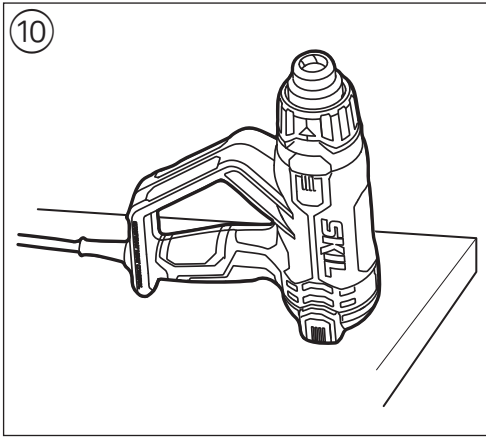
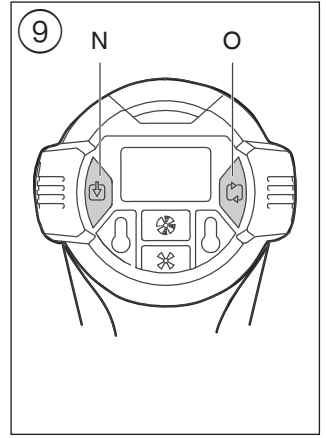
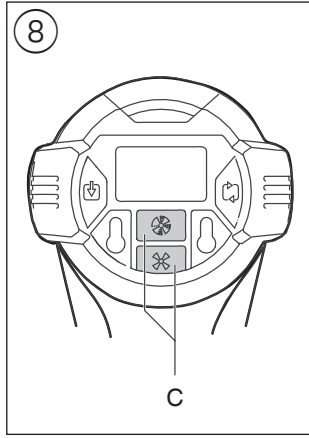
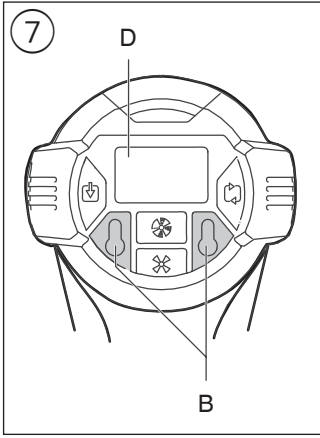
6

**8020**

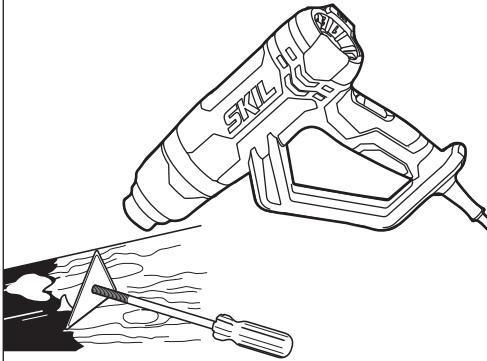
									
	I			II			III		
	350 ltr/min			350 ltr/min			500 ltr/min		
		1	50 °C	50 °C		115 °C			
2		110 °C		150 °C					
3		180 °C		250 °C					
4		250 °C		350 °C					
5		300 °C		450 °C					
6		380 °C		550 °C					
7		450 °C		600 °C					

**8040**

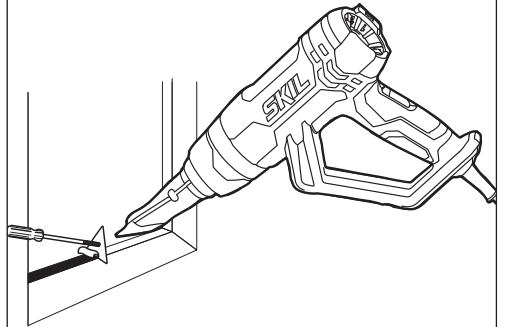




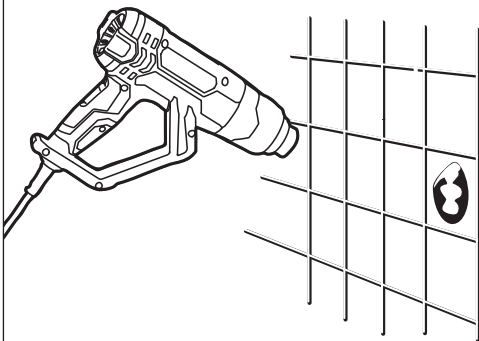
13



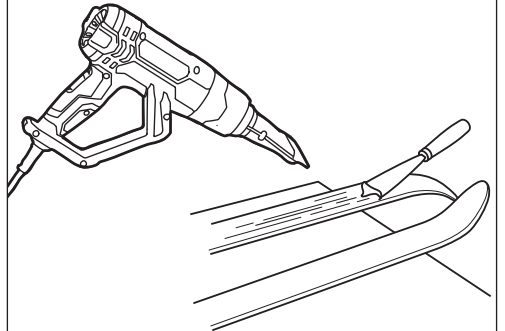
14



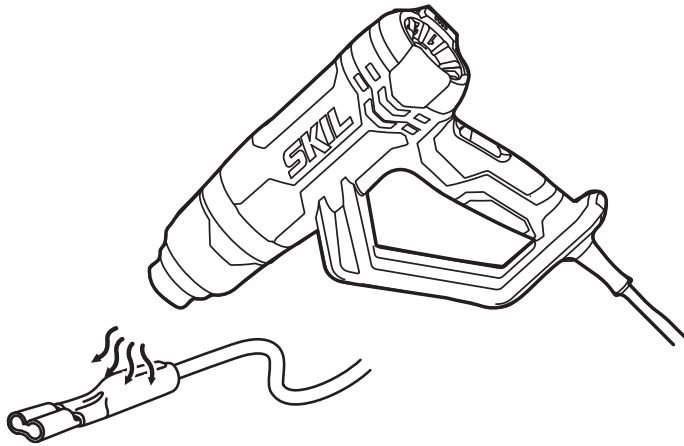
15



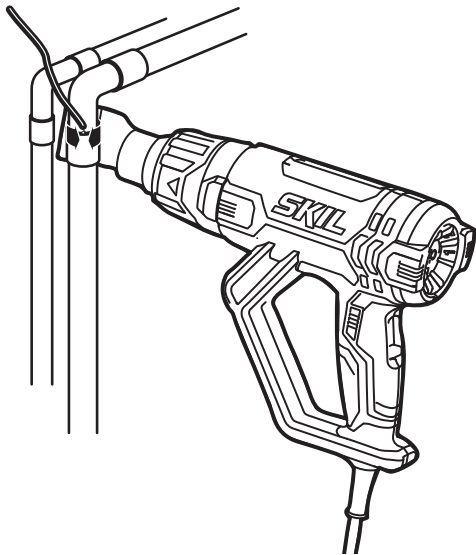
16



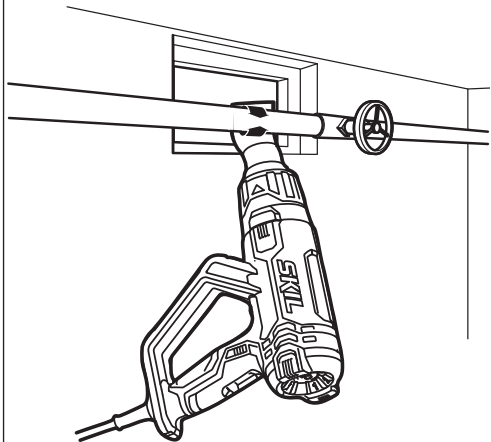
17



18



19



**ACCESSORIES**



**WWW.SKIL.COM**

## Heat gun

8020/8040

## INTRODUCTION

- This tool is intended for the removal of paint, the forming and welding of plastic, and the warming of heat-shrinkable tubing; the tool is also suitable for soldering and tinning, loosening adhesive joints and defrosting water pipes
- This tool is not intended for professional use
- Read and save this instruction manual ③

## TECHNICAL DATA ①

## TOOL ELEMENTS ②

- A On/off switch
- B Buttons for setting temperature (8040)
- C Buttons for setting air flow (8040)
- D Display (LCD) (8040)
- E Nozzle release ring
- F Ventilation slots
- G Glass protection nozzle
- H Round nozzle
- J Reflector nozzle
- K Reduction nozzle
- L Air outlet/nozzle
- M Dial wheel (8020)
- N Button for memory storing (8040)
- P Button for memory selection (8040)

## SAFETY

## GENERAL

- **This tool can be used by children aged 8 and above and by persons who have physical, sensory or mental limitations or a lack of experience or knowledge if a person responsible for their safety supervises them or has instructed them in the safe operation of the tool and they understand the associated dangers** (otherwise, there is a danger of operating errors and injuries)
- **Supervise children** (this will ensure that children do not play with the tool)
- **Cleaning and user maintenance of the tool shall**

## not be made by children without supervision

## BEFORE USE:

- Check the functioning of the tool before each use and, in case of a defect, have it repaired immediately by a qualified person; never open the tool yourself
- Inspect tool cord and plug before each use and, if damaged, have them replaced by a qualified person
- Use completely unrolled and safe extension cords with a capacity of 16 Amps (U.K. 13 Amps)
- Never use the tool when the cord is damaged; it must be replaced by the manufacturer, its service agent or similarly qualified persons in order to avoid a hazard.
- Use the tool and its accessories in accordance with this instruction manual and in the manner intended for the tool; use of the tool for operations, different from those normally expected to be performed by the tool, could result in a hazardous situation
- Always check that the supply voltage is the same as the voltage indicated on the nameplate of the tool
- Be sure tool is switched off when plugging in

## DURING USE:

- Handle the tool with care; prevent fire and burns
  - do not touch the air outlet/nozzle and the heated object; they become extremely hot
  - do not hold the air outlet/nozzle too close to the object to be worked on
  - do not direct the hot air flow towards the same surface for too long
  - never look down the air outlet/nozzle
  - wear protective gloves and use safety glasses
  - never direct the hot air flow towards persons or animals
  - never use the tool for drying hair
  - do not leave the tool unattended
  - never use the tool in the proximity of inflammable gases or combustible materials (**risk of explosion**)
  - when working with plastic, paint, varnish and similar materials, inflammable and poisonous gases may be produced; inform yourself beforehand about the materials to be worked on
  - take into account, that heat may be transferred to combustible materials out of eyesight
  - to be on the safe side, have a bucket of water or a fire extinguisher handy, in case any material catches fire
- Prevent electrical shock
  - never poke anything down the air outlet/nozzle
  - avoid body contact with earthed surfaces (e.g. pipes, radiators, ranges, refrigerators)
  - ensure the tool does not get wet
  - do not use the tool in damp locations
  - when used outdoors, connect the tool via a fault current (FI) circuit breaker with a triggering current of 30 mA maximum, and only use an extension cord which is intended for outdoor use and equipped with a splashproof coupling-socket
- Handle the cord with care
  - always keep away the cord from the hot air flow and the air outlet/nozzle
  - keep the cord away from heat, oil and sharp edges
  - do not carry the tool by the cord, and do not yank the cord to disconnect it from the socket
  - do not suspend the tool by the cord
- Never use the tool in conjunction with chemical solvents
- Make sure work area is adequately ventilated

- Keep work area clean and well lit
- Stay alert; watch what you are doing, use common sense and do not operate the tool when you are tired
- Take a secure stance; do not overreach, especially on ladders and stages
- Ensure that the tool is switched off, before putting it aside
- In case of electrical or mechanical malfunction, immediately switch off the tool and disconnect the plug

#### AFTER USE:

- set the tool down on its rear in an upright position
- Switch off the tool and disconnect the plug
- Allow the tool to cool down for at least 30 minutes before storage
- Do not store/leave the tool outdoors
- Store the tool in a dry and locked-up place, out of reach of children

#### EXPLANATION OF SYMBOLS ON TOOL

- ③ Read the instruction manual before use
- ④ Double insulation (no earth wire required)
- ⑤ Do not dispose of the tool together with household waste material

## USE

- On/off switch with temperature settings ⑥
  - ! **check if switch A ② is in position "0" before plugging in**
  - switch on the tool by pushing switch A in desired position:
    - 8020**
    - I = 50°C, air flow 350 litres/minute
    - II = 450°C, air flow 350 litres/minute
    - III = 600°C, air flow 500 litres/minute
    - 8040**
    - I = 50°C + air flow 250-500 litres/minute
    - II = 50°C ... 650°C, air flow 250-500 litres/minute
  - when using it for the first time, some smoke may emit from the tool; this is normal and will soon cease
  - switch off the tool by pushing switch A in position "0"
- Temperature setting
  - ! **there is a tolerance on the indicated temperatures 50...90°C: max 90°C less than 300°C: ±20% more than 300°C: ±10%**
  - 8020**
  - use dial wheel M to select the desired temperature setting
  - use table ⑥ for reference
  - 8040 ⑦**
  - set desired target temperature in steps of 10°C by pressing buttons B briefly
  - pressing buttons B constantly increases/decreases the target temperature continuously until the buttons are released or the minimum/maximum temperature is reached
  - after the target temperature is set, display D shows flashing arrows until the desired temperature is reached (in position "II" only)
  - the target temperature will be stored in the memory of the tool, so that each time after switching on the tool heats up to the last selected target temperature
- Air flow setting ⑧ (8040)
  - set desired air flow in steps of 50 l/min by pressing buttons C briefly
  - display D shows the actual air flow setting in a bar graph

- Memory setting ⑨ (8040)
  - to select one of the four stored memory settings press button P
  - to store a temperature and air flow setting press button P to select a memory location, set the desired temperature and airflow, and press and hold button N to store the setting
- General use
  - determine the right temperature by testing out on an inconspicuous part of the workpiece; start with a low temperature setting
  - the temperature drops as the distance between the air outlet/nozzle and the workpiece increases
  - the temperature required depends on the material to be worked on
- Stationary use ⑩
  - set the tool down on its rear in an upright position
  - make sure the surface is clean and dustfree; polluted air damages the motor
  - make sure the air flow is directed away from you
  - secure the cord to prevent pulling down the tool
  - do not touch the air outlet/nozzle
  - make sure nothing drops into the air outlet/nozzle
  - carefully hold the tool with one hand while switching it off with the other hand, and then allow it to cool down
- Holding and guiding the tool ⑪
  - hold the tool with one hand
  - keep ventilation slots F ② uncovered
- Standard accessories ⑫
  - glass protection nozzle G (for deflecting air flow)
  - round nozzle H (for concentrating air flow)
  - reflector nozzle J (for reflecting air flow)
  - reduction nozzle K (for concentrating air flow)
- NOTES:
  - all application examples (**except removing paint next to glass**) can be performed without accessories; however, using the appropriate accessory simplifies the work and significantly improves the quality of the results
  - this tool can also be used in combination with commonly available accessories for heat guns
- Mounting/removing accessories
  - simply fit the accessory onto air outlet L ②
  - remove an accessory by pulling it off to the front after it has cooled down
  - ! **mount an accessory only when the air outlet is cold, when the switch is in position "0" and when the plug is disconnected**
  - use nozzle release ring E for easy removing hot nozzles ⑫
- Constant heat control (overload protection)
  - Protects heating element from damage when tool is overloaded without having to stop it and/or let it cool down for a period of time
  - when the temperature gets too high, the heating element switches itself off, while the motor continues to run and produces cold air
  - when the temperature has dropped sufficiently (taking only a few seconds), the heating element will be switched on automatically
  - ! **when the tool is switched off after working at a high temperature setting, and switched on again after a short break, it may take a while before the heating element reaches the desired temperature**



## APPLICATION ADVICE

- Removing paint/lacquer 13
    - use a clean, sharp scraper
    - scrape firmly, when the paint softens
    - experiment to establish the length of time necessary to apply the heat for optimal results
    - scrape the softened paint immediately, or it will harden again
    - keep a 30° to 40° angle between the tool and the workpiece
    - remove paint and debris immediately from the scraper to prevent them from ignition
    - scrape with the grain of the wood, wherever possible
    - do not direct the hot air flow towards the same surface for too long
    - dispose of all paint debris safely
    - thoroughly clean the work area after completing the job
- ! be careful when removing layers of paint in old buildings; in the past the building may have been painted with paint containing lead, which is highly poisonous**

**! exposure to even low levels of lead can cause serious brain and nervous system damage; young and unborn children are particularly vulnerable**  
**! have lead-based paint removed by a professional without using a heat gun**

### OTHER APPLICATION EXAMPLE:

- ★ removing (synthetic) wall covering
  - Removing paint/lacquer next to glass 14
    - **always** use glass protection nozzle G when working next to glass
    - remove the paint with a hand scraper
- ! do not use the tool for removing paint on metal-framed windows; metal is heat-conducting which might lead to breaking of the glass**
- Removing stickers (use round nozzle H) 15
    - many adhesives become softer when heated, allowing adhesive bonds to be separated and superfluous adhesive to be removed
- ! heat sticker on the upper side**  
**! always take care not to overheat the underlying surface**

### OTHER APPLICATION EXAMPLES:

- ★ removing linoleum and vinyl carpeting
- ★ removing carpet tiles made of synthetic fibres
- ★ removing veneers/applying veneer strips
- ★ softening/melting tar, tin, bitumen, wax (use round nozzle H)
- ★ waxing (skis, furniture) (use glass protection nozzle G) 16
- ★ removing resin
- ★ loosening rusty/too tightly fastened metal screws, nuts and bolts
- ★ removing candle wax (**do not overheat the underlying surface**)
- ★ repairing broken candles/restoring bent candles to their original shape
- Shrink fitting 17
  - use reflector nozzle J or reduction nozzle K
  - select a shrink-fit tube with a diameter matching that of the workpiece
  - heat the shrink-fit tube evenly

### OTHER APPLICATION EXAMPLE:

- ★ shrink-wrapping
- Soldering water pipes 18
  - This tool is most suitable for working with soft solders (melting point below 400°)
  - use reflector nozzle J
  - thoroughly clean both joining sections before soldering
  - pre-heat both sections and apply soldering wire (**do not use lead-based soldering wire**)
- Thawing out frozen water pipes 19
  - use reflector nozzle J
  - heat the frozen area evenly

**! water pipes are often difficult to distinguish from gas pipes; heating gas pipes is extremely dangerous – risk of explosion**

### OTHER APPLICATION EXAMPLES:

- ★ thawing out water pipes made of PVC (**position II, max. 60°C**)
  - ★ thawing out frozen car locks (**position II, max. 60°C**) (use reduction nozzle)
  - ★ defrosting freezers (**do not damage the plastic housing**)
  - ★ thawing out ice-covered steps and pavements
  - Shaping plastic tubes
    - use reflector nozzle J
    - fill the tube with sand and seal it at both ends, to avoid kinking of the tube
    - heat the tube evenly by moving it from side to side
- OTHER APPLICATION EXAMPLES:**
- ★ shaping all plastics with a low melting-point (polyethylene, PVC etc.)
  - ★ shaping all plastics with a high melting-point (acrylic glass, Plexiglas etc.)
  - ★ shaping and bending carpet tiles made of synthetic fibres
  - ★ shaping and bending of wood (model-building)
  - Welding plastics
    - the weld seam must be clean and grease-free
    - keep welding rod close to weld seam and apply heat, until the welding rod gets tacky
    - remove heat, when weld seam is filled up

### OTHER APPLICATION EXAMPLES:

- ★ repairing of surfboards, skis and other synthetic sports goods (use round nozzle H)
- ★ welding PVC-materials
- ★ smoothing blisters after sticking PVC-labels
- ★ connecting garden hoses (use reflector nozzle J)
- Drying
  - ! only dry with a low or medium temperature setting (position I or II) and with an increased distance between the tool and the workpiece**
  - drying of paint, varnish, gypsum, mortar and plaster
  - drying wet timber prior to filling
  - drying thickly applied filler or adhesive quickly
  - drying building joints before spraying insulation or sealant
  - drying joints and cracks in boatbuilding
- Cleaning/disinfecting
  - disinfecting rabbit hutches, dove cotes, etc. (**remove your pet first**)
  - combatting ant colonies
  - combatting woodworms and boring beetles (**hold the tool at an adequate distance from the wood**)
  - eliminating weeds

## MAINTENANCE / SERVICE

- This tool is not intended for professional use
- Never use easy inflammable liquids for cleaning the heat gun in general and the air outlet/nozzle in particular
- Always keep tool and cord clean (especially ventilation slots F ②)
- If the tool should fail despite the care taken in manufacturing and testing procedures, repair should be carried out by an after-sales service centre for SKIL power tools
  - send the tool **undismantled** together with proof of purchase to your dealer or the nearest SKIL service station (addresses as well as the service diagram of the tool are listed on [www.skil.com](http://www.skil.com))
- Be aware that damage due to overload or improper handling of the tool will be excluded from the warranty (for the SKIL warranty conditions see [www.skil.com](http://www.skil.com) or ask your dealer)

## ENVIRONMENT

- **Do not dispose of electric tools, accessories and packaging together with household waste material** (only for EU countries)
  - in observance of European Directive 2012/19/EC on waste of electric and electronic equipment and its implementation in accordance with national law, electric tools that have reached the end of their life must be collected separately and returned to an environmentally compatible recycling facility
  - symbol ⑤ will remind you of this when the need for disposing occurs

F

## Pistolet chauffant 8020/8040

### INTRODUCTION

- Cet outil sert à enlever la peinture, la mise en forme et le soudage de plastique, le chauffage de gaine thermorétractable; l'outil peut également servir au soudage et à l'étamage, au détachement de joints adhésifs et au dégivrage de tuyauteries d'eau
- Cet outil n'est pas conçu pour un usage professionnel
- Lisez et conservez ce manuel d'instruction ③

## CARACTERISTIQUES TECHNIQUES ①

### ELEMENTS DE L'OUTIL ②

- A Interrupteur marche/arrêt
- B Boutons de réglage de la température (8040)
- C Boutons pour régler le débit d'air (8040)
- D Écran à cristaux liquides (LCD) (8040)
- E Bague de dégagement de l'embouchure
- F Fentes de ventilation
- G Embouchure de protection en verre
- H Embouchure ronde
- J Embouchure réflecteur
- K Embouchure réducteur
- L Sortie/embouchure d'air
- M Cadran (8020)
- N Bouton de mémorisation (8040)
- P Bouton de sélection de la mémoire (8040)

## SECURITE

### GENERALITES

- **Cet outil peut être utilisé par les enfants (âgés d'au moins 8 ans) et par les personnes souffrant d'un handicap physique, sensoriel ou mental ou manquant d'expérience ou de connaissances, lorsque ceux-ci sont sous la surveillance d'une personne responsable de leur sécurité ou après avoir reçu des instructions sur la façon d'utiliser l'outil en toute sécurité et après avoir bien compris les dangers inhérents à son utilisation** (sinon, il existe un risque de blessures et d'utilisation inappropriée)
- **Ne laissez pas les enfants sans surveillance** (veillez à ce que les enfants ne jouent pas avec l'outil)
- **Les enfants ne doivent pas nettoyer l'outil ou effectuer des travaux d'entretien sans surveillance**

### AVANT L'USAGE:

- Contrôlez le fonctionnement de l'outil avant chaque manipulation et, en cas d'anomalies, faites réparer immédiatement par une personne qualifiée; ne jamais ouvrez l'outil soi-même
- Contrôlez l'état du câble et branchez avant chaque manipulation; si le câble est endommagé, le faites remplacer par une personne qualifiée
- Utilisez un câble de prolongement complètement déroulé et de bonne qualité d'une capacité de 16 A
- N'utilisez jamais l'outil si le cordon d'alimentation est endommagé, il doit être remplacé par le fabricant, un prestataire de service après-vente ou toute autre personne possédant des compétences similaires, afin de prévenir les accidents.
- Utilisez l'outil et ses accessoires en conformité avec ce manuel d'instructions et de la façon pour laquelle il a été conçu; l'emploi de l'outil à d'autres manipulations que celles prévues normalement peut causer des situations dangereuses
- Contrôlez toujours si la tension secteur correspond à la tension indiquée sur la plaquette signalétique de l'outil
- S'assurez que l'outil est hors service en le branchant

## PENDANT L'USAGE:

- Utilisez l'outil avec précaution; évitez le feu et les brûlures
  - ne pas touchez à la sortie/l'embouchure d'air ni à l'objet chauffé; ils atteignent une température élevée
  - ne pas tenez la sortie/l'embouchure d'air trop près du l'objet à travailler
  - ne pas orientez le courant d'air chaud trop longtemps en un même endroit
  - ne pas regardez dans la sortie/l'embouchure d'air
  - portez des gants et des lunettes de protection
  - ne jamais dirigez le courant d'air chaud vers des personnes ou des animaux
  - ne jamais utilisez l'outil pour se sécher les cheveux
  - ne laissez pas l'outil sans surveillance en cours d'utilisation
  - ne jamais utilisez l'outil à proximité de gaz inflammables ou de matériaux combustibles (**risque d'explosion**)
  - en cas de travail avec du plastique, de la peinture, du vernis et autres matériaux similaires, des gaz inflammables et toxiques peuvent se dégager; toujours s'informez de la technicité de ces matériaux avant de travailler avec ceux-ci
  - prenez en considération que la chaleur peut être transférée à des matériaux combustibles hors de portée
  - pour toute sécurité, préparez un seau d'eau ou un extincteur à proximité si d'aventure un matériau prend feu
- Évitez les chocs électriques
  - ne pas enfoncez quelque chose dans la sortie/l'embouchure d'air
  - évitez tout contact physique avec les surfaces mises à la terre (par exemple tuyauteries, radiateurs, cuisinières, réfrigérateurs)
  - s'assurez que l'outil ne sera pas soumis à l'humidité
  - ne pas utilisez l'outil dans des endroits embués
  - en cas d'usage à l'extérieur, branchez l'outil par l'intermédiaire d'un coupe-circuit (FI) avec courant de réaction de 30 mA au maximum, et utilisez uniquement un câble de prolongement spécial pour l'extérieur équipé d'une prise résistant aux éclaboussures
- Utilisez le câble avec précaution
  - tenez le câble hors de portée du courant d'air chaud et de la sortie/l'embouchure d'air
  - tenez le câble à distance de la chaleur, de l'huile et des rebords escarpés
  - ne pas transportez l'outil par le câble et ne pas tirez sur le câble pour débrancher la prise du secteur
  - ne pas suspendez l'outil par le câble
- Ne jamais utilisez l'outil avec des solvants
- S'assurez que l'aire de travail soit bien ventilée
- Veillez à une aire de travail propre et bien éclairée
- Restez sur le qui-vive; faites attention à ce que l'on fait, utilisez son bon sens et ne pas manipulez l'outil quand on est fatigué
- Prenez une position stable; ne pas se mettez dans des positions impossibles par exemple sur des échelles et des échafaudages
- S'assurez que l'outil est hors service avant de le ranger
- En cas de dysfonctionnement électrique ou mécanique, mettez directement l'outil hors service et débranchez la fiche

## APRES L'USAGE:

- posez l'outil sur sa section arrière en position
- Arrêtez l'outil et débranchez la prise
- Laissez l'outil se refroidir au moins pendant 30 minutes avant de le ranger
- Ne pas rangez/laissez l'outil à l'extérieur
- Rangez l'outil dans un endroit sec et fermer à clé, hors de la portée des enfants

## EXPLICATION DES SYMBOLES SUR L'OUTIL

- ③ Veuillez lire le mode d'emploi avant d'utiliser l'outil
- ④ Double-isolation (ne nécessite pas de mise à la terre)
- ⑤ Ne jetez pas l'outil dans les ordures ménagères

## UTILISATION

- Interrupteur marche/arrêt avec réglages de température ⑥

**! contrôlez si le bouton A ② est en position "0" avant de brancher la fiche**

- mettez l'outil en service en appuyant sur la position souhaitée sur le bouton A:

### 8020

I = 50°C, courant d'air 350 litres/minute

II = 450°C, courant d'air 350 litres/minute

III = 600°C, courant d'air 500 litres/minute

### 8040

I = 50°C + courant d'air 250-500 litres/minute

II = 50°C ... 650°C, courant d'air 250-500 litres/minute

- lorsqu'on utilise l'outil pour la première fois, une légère fumée peut s'en dégager; ceci est normal et la fumée s'arrêtera bien vite

- mettez l'outil hors service en mettant le bouton A en position "0"

- Réglage de la température

**! il y a une tolérance dans les températures indiquées**

**50...90°C : max 90°C**

**moins de 300°C : ±20%**

**plus de 300°C : ±10%**

### 8020

- Utilisez le cadran M pour sélectionner le réglage de température souhaité

- Utilisez le tableau ⑥ en référence

### 8040 ⑦

- réglez la température cible souhaitée par paliers de 10°C en appuyant brièvement sur les boutons B

- si vous appuyez constamment sur les boutons B, vous augmentez/diminuez la température cible de façon continue jusqu'à ce que les boutons soient relâchés ou que la température ait atteint son minimum/maximum

- Une fois la température cible définie, l'écran D affiche des flèches clignotantes jusqu'à ce que la température déterminée soit atteinte (en position "II" uniquement)

- la température cible est enregistrée dans la mémoire de l'outil, de sorte qu'à chaque fois que vous allumez l'outil par la suite, celui chauffe jusqu'à atteindre la dernière température cible sélectionnée

- Réglage du débit d'air ⑧ (8040)

- réglez le débit d'air souhaité par paliers de 50 l/min en appuyant brièvement sur les boutons C

- l'écran D indique le réglage réel du débit d'air dans un graphique à barres

- Mémorisation ⑨ (8040)

- Pour sélectionner une des quatre mémoire, appuyez sur le bouton P

- Pour enregistrer une température et un débit d'air, appuyez sur le bouton P pour sélectionner une mémoire, paramétrez la température et le débit d'air souhaité et maintenez le bouton N enfoncé pour enregistrer le réglage
  - Utilisation générale
    - déterminez la température correcte en faisant un essai sur une section invisible de la pièce; commencez avec un réglage de basse température
    - la température baisse en fonction de la distance entre la sortie/l'embouchure d'air et la pièce
    - la température requise dépend du matériau sur lequel on travaille
  - Utilisation stationnaire ⑩
    - posez l'outil sur sa section arrière en position
    - s'assurez que la surface est propre et exempte de poussière; l'air pollué peut endommager le moteur
    - s'assurez que le courant d'air ne soit pas dirigé vers soi
    - assurez le câble pour éviter que l'outil ne tombe
    - ne pas touchez la sortie/l'embouchure d'air
    - veillez à ce qu'aucune substance ne s'égoutte dans la sortie/l'embouchure d'air
    - tenez fermement l'outil dans une main et le mettez hors service avec l'autre main et ensuite le laissez refroidir
  - Tenue et guidage de l'outil ⑪
    - tenez l'outil dans une main
    - veillez à ce que les fentes de ventilation F ② soient découvertes
  - Accessoires standard ⑫
    - embouchure de protection en verre G (pour déflexion du courant d'air)
    - buse ronde H (pour concentrer le flux d'air)
    - embouchure réflecteur J (pour réflexion du courant d'air)
    - embouchure réducteur K (pour concentration du courant d'air)
- REMARQUES:
- tous les exemples d'application (à l'exception de l'enlèvement de la peinture sur fenêtres) peuvent se faire sans accessoires; néanmoins, l'accessoire adéquat simplifie le travail et augmente nettement la qualité des résultats
  - cet outil peut également être utilisé conjointement avec des accessoires courants ou pistolets chauffants
- Montage/démontage d'accessoires
  - fixez simplement l'accessoire sur la sortie d'air L ②
  - retirez un accessoire par traction du front après que l'outil se soit refroidi

**! montez un accessoire uniquement lorsque la sortie d'air est froide, l'interrupteur en position "0" et la fiche débranchée**

  - utilisez la bague de dégagement de l'embouchure E pour retirer facilement les embouchures chaudes ⑫
- Contrôle constante de la chaleur (protection contre la surcharge)
 

Protégez l'élément de chauffage contre les endommagements dus à la surcharge de l'outil sans devoir l'éteindre ni le laisser refroidir pendant un certain temps

  - si la température devient trop élevée, l'élément de chauffage est automatiquement mis hors service, tandis que le moteur continue à tourner et produire de l'air froid

- si la température a baissé suffisamment (il suffit de quelques secondes), l'élément de chauffage est automatiquement mis en service
- ! lorsque l'outil est coupé après un travail à température élevée, puis rallumé après un court instant, il faudra un moment avant que l'élément chauffant n'atteigne la température souhaitée**

## CONSEILS D'UTILISATION

- Enlèvement de peinture/laque ⑬
  - utilisez un racleur propre et bien aiguisé
  - raclez fermement dès que la peinture se ramollit
  - faites quelques essais pour déterminer le temps nécessaire à chauffer pour obtenir des résultats optimaux
  - raclez directement la peinture ramollie car sinon elle se réduit
  - observez un angle de 30° à 40° entre l'outil et la pièce
  - enlevez directement la peinture et les restes du racleur pour éviter qu'ils ne s'enflamment
  - raclez avec de la graine de bois aux endroits possibles
  - ne pas orientez le courant d'air chaud trop longtemps en un même endroit
  - se débarrassez correctement de tous les rebuts de peinture
  - nettoyez méticuleusement l'aire de travail après avoir terminé le travail

**! faites attention lors de l'enlèvement de couches de peinture dans des anciens bâtiments; en effet, par le passé, on a peut-être utilisé de la peinture contenant du plomb, ce qui est extrêmement toxique au traitement à la chaleur**

**! l'exposition au plomb, même à faible niveau peut entraîner de sérieux dommages au cerveau et au système nerveux; cette situation est particulièrement dangereuse pour les jeunes enfants et les enfants à naître**

**! faites enlever les peintures à base de plomb par un professionnel sans faire usage d'un pistolet chauffant**

AUTRE EXEMPLE D'APPLICATION:

- ★ enlèvement de couverture (synthétique) de mur
  - Enlèvement de peinture/laque sur fenêtres ⑭
    - toujours utilisez l'embouchure de protection en verre G pour travailler à proximité du verre
    - enlevez la peinture avec un racleur manuel

**! ne pas utiliser l'outil pour enlever la peinture de fenêtres encadrées de métal; le métal est conducteur de chaleur et peut donc occasionner la rupture de la glace**
  - Enlèvement d'autocollants (utilisez l'embouchure ronde H) ⑮
    - de nombreux adhésifs se ramollissent au chauffage autorisant la séparation des liaisons et l'enlèvement des restes d'adhésifs

**! chauffez l'autocollant à sa section supérieure**  
**! toujours faites attention à ne pas trop chauffer la surface sous-jacente**
- AUTRES EXEMPLES D'APPLICATION:
- ★ enlèvement de linoléum et de moquette en vinyle
  - ★ enlèvement de dalles de moquette en fibres synthétiques

- ★ enlèvement des placages/application des bandes de placage
- ★ ramollissement/fusion du goudron, de l'étain, du bitume, de la cire (utilisez l'embouchure ronde H)
- ★ cirage (skis, meubles) (utilisez l'embouchure de protection en verre G) <sup>(16)</sup>
- ★ enlèvement de résine
- ★ détachement de vis, écrous et boulons métalliques rouillés/fort serrés
- ★ enlèvement de la cire de bougie (**ne pas surchauffez la surface sous-jacente**)
- ★ réparation des bougies cassées/remise en forme originale des chandelles
- Fixation par thermorétraction <sup>(17)</sup>
  - utilisez l'embouchure réflecteur J ou l'embouchure réducteur K
  - choisissez une gaine thermorétractable d'un diamètre correspondant à la pièce
  - chauffez la gaine de façon uniforme
- AUTRE EXEMPLE D'APPLICATION:
- ★ enveloppement par thermorétraction
- Soudage des tuyauteries d'eau <sup>(18)</sup>

Cet outil convient au mieux en combinaison avec du matériau de soudage doux (point de fusion inférieur à 400°)

  - utilisez l'embouchure réflecteur J
  - nettoyez méticuleusement les deux sections à joindre avant de procéder au soudage
  - préchauffez les deux sections et appliquez du fil à souder (**ne pas utiliser du fil à souder à base de plomb**)
- Dégel des tuyauteries d'eau gelées <sup>(19)</sup>
  - utilisez l'embouchure réflecteur J
  - réchauffez la surface gelée de façon uniforme

**! il est souvent difficile de distinguer les tuyauteries d'eau des tuyauteries de gaz; le chauffage de tuyauteries de gaz est extrêmement dangereux et implique le risque d'explosion**
- AUTRES EXEMPLES D'APPLICATION:
- ★ dégel des tuyauteries d'eau en PVC (**position II, max. 60°C**)
- ★ dégel de serrures de voiture (**position II, max. 60°C**) (utilisez l'embouchure réducteur)
- ★ dégel de congélateurs (**attention à ne pas endommager l'enveloppe en plastique**)
- ★ dégel de marches et de trottoirs recouverts de glace
- Mise en forme de tubes en plastique
  - utilisez l'embouchure réflecteur J
  - remplacez le tube de sable et le scellez aux deux extrémités pour éviter qu'il ne se torde
  - chauffez le tube de façon uniforme en le déplaçant d'un côté à l'autre
- AUTRES EXEMPLES D'APPLICATION:
- ★ mise en forme de toutes les substances plastiques ayant un point de fusion bas (polyéthylène, PVC etc.)
- ★ mise en forme de toutes les substances plastiques ayant un point de fusion élevé (verre acrylique, Plexiglas etc.)
- ★ mise en forme et flexion des dalles de moquette en fibres synthétiques
- ★ mise en forme et flexion du bois (construction de modèles réduits)
- Soudage de plastique
  - le joint doit être propre et exempt de graisse

- tenez la baguette près du joint et appliquez jusqu'à ce que la baguette devienne collante
  - enlevez la source de chaleur dès que le joint est rempli
- AUTRES EXEMPLES D'APPLICATION:
- ★ réparation des planches de surf, des skis et autres articles synthétiques de sport (utilisez l'embouchure ronde H)
  - ★ soudage de matériaux en PVC
  - ★ lissage des soufflures après collage d'étiquettes PVC
  - ★ connexion de tuyaux d'arrosage (utilisez l'embouchure réflecteur J)
  - Séchage
    - ! séchez uniquement à faible ou moyenne température (position I ou II) et à une distance suffisante entre l'outil et la pièce**
    - séchage de peinture, de vernis, de gypse, de mortier et de plâtre
    - séchage du bois humide avant remplissage
    - séchage rapide du mastic ou de l'adhésif appliqués en grosse couche
    - séchage de joints de construction avant pulvérisation de l'isolation ou de l'étanchéité
    - séchage des joints et des fissures de la carcasse d'un bateau
  - Nettoyage/désinfection
    - désinfection des cages à lapins, des pigeonniers, etc. (**enlevez d'abord votre animal**)
    - élimination des colonies de fourmis
    - élimination des vers à bois et des vrillettes (**tenez l'outil à une distance adéquate du bois**)
    - élimination des mauvaises herbes

## ENTRETIEN / SERVICE APRES-VENTE

- Cet outil n'est pas conçu pour un usage professionnel
- Ne jamais utiliser de liquides fort inflammables pour le nettoyage du pistolet chauffant en général et de l'embouchure d'air en particulier
- Gardez toujours votre outil et le câble propres (spécialement les aérations F <sup>(2)</sup>)
- Si, malgré tous les soins apportés à la fabrication et au contrôle de l'outil, celui-ci devait avoir un défaut, la réparation ne doit être confiée qu'à une station de service après-vente agréée pour outillage SKIL
  - retournez l'outil **non démonté** avec votre preuve d'achat au revendeur ou au centre de service après-vente SKIL le plus proche (les adresses ainsi que la vue élargie de l'outil figurent sur [www.skil.com](http://www.skil.com))
- Veuillez noter que tout dégât causé par une surcharge ou une mauvaise utilisation de l'outil ne sera pas couvert par la garantie (pour connaître les conditions de la garantie SKIL, surfez sur [www.skil.com](http://www.skil.com) ou adressez-vous à votre revendeur)

## ENVIRONNEMENT

- **Ne jetez pas les outils électriques, les accessoires et l'emballage dans les ordures ménagères** (pour les pays européens uniquement)
  - conformément à la directive européenne 2012/19/EG relative aux déchets d'équipements électriques ou électroniques, et à sa transposition dans la législation nationale, les outils électriques usés doivent être collectés séparément et faire l'objet d'un recyclage respectueux de l'environnement

- le symbole ⑤ vous le rappellera au moment de la mise au rebut de l'outil



D

Heißluftpistole

8020/8040

## EINLEITUNG

- Dieses Werkzeug ist für das Entfernen von Farbe, das Formen und Schweißen von Kunststoff und das Erhitzen von Wärmeschumpfrohren vorgesehen; das Werkzeug ist auch für das Löten und Verzinnen, Lockern von Klebeverbindungen und Auftauen von Wasserrohren geeignet
- Dieses Werkzeug eignet sich nicht für den professionellen Einsatz
- Bitte diese Bedienungsanleitung sorgfältig lesen und aufbewahren ③

## TECHNISCHE DATEN ①

## WERKZEUGKOMPONENTEN ②

- A Ein/Aus-Schalter
- B Schalter zur Temperatureinstellung (8040)
- C Schalter zur LuftstromEinstellung (8040)
- D Display (LCD) (8040)
- E Düsenring
- F Lüftungsschlitze
- G Glasschutzdüse
- H Runddüse
- J Reflektordüse
- K Reduzierdüse
- L Luftöffnung/Düse
- M Messrad (8020)
- N Schaltfläche für Speicherspeicherung (8040)
- P Schaltfläche für Speicherauswahl (8040)

## SICHERHEIT

### ALLGEMEINES

- **Dieses Werkzeug kann von Kindern ab 8 Jahren und Personen mit eingeschränkten physischen, sensorischen oder geistigen Fähigkeiten oder mangelnder Erfahrung und Wissen benutzt werden, wenn sie durch eine für ihre Sicherheit verantwortliche Person beaufsichtigt werden**

**oder von dieser im sicheren Umgang mit dem Werkzeug eingewiesen worden sind und die damit verbundenen Gefahren verstehen** (andernfalls besteht die Gefahr von Fehlbedienung und Verletzungen)

- **Beaufsichtigen Sie Kinder** (damit wird sichergestellt, dass Kinder nicht mit dem Werkzeug spielen)
- **Die Reinigung und Wartung des Werkzeuges durch Kinder darf nicht ohne Aufsicht erfolgen**

### VOR DER ANWENDUNG:

- Die Funktion des Werkzeuges vor jeder Anwendung prüfen und es bei einem Defekt sofort von einer qualifizierten Person reparieren lassen; das Werkzeug niemals selbst öffnen
- Werkzeugkabel und -stecker vor jeder Anwendung kontrollieren und bei Beschädigung von einer qualifizierten Person austauschen lassen
- Bei Benutzung von Verlängerungskabeln ist darauf zu achten, daß das Kabel vollständig abgerollt ist und eine Kapazität von 16 A hat
- Verwenden Sie das Gerät niemals, wenn das Kabel beschädigt ist; es muss vom Hersteller, seinem Kundendienst oder ähnlich qualifizierten Personen ausgetauscht werden, um Gefährdungen zu vermeiden.
- Das Werkzeug und sein Zubehör im Einklang mit dieser Bedienungsanleitung und auf für das Werkzeug vorgeschriebene Weise benutzen; Benutzung des Werkzeuges für Arbeiten, die sich von den vom Werkzeug normalerweise ausgeführten unterscheiden, könnte eine gefährliche Situation heraufbeschwören
- Stets nachprüfen, daß die Netzspannung mit der auf dem Typenschild des Werkzeuges angegebenen Spannung übereinstimmt
- Beim Anschließen sicherstellen, dass das Werkzeug ausgeschaltet ist

### WÄHREND DER ANWENDUNG:

- Sorgfältig mit dem Werkzeug umgehen; Feuer und Verbrennungen verhüten
  - die Luftöffnung/Düse und das erwärmte Objekt nicht berühren; sie werden äußerst heiß
  - die Luftöffnung/Düse nicht zu nahe an das zu bearbeitende Objekt halten
  - den Heißluftstrom nicht zu lange auf dieselbe Oberfläche richten
  - niemals in die Luftöffnung/Düse schauen
  - Schutzhandschuhe und Schutzbrille tragen
  - den Heißluftstrom niemals auf Personen oder Tiere richten
  - das Werkzeug niemals zum Haaretrocknen benutzen
  - das Werkzeug niemals unbeaufsichtigt lassen

- das Werkzeug niemals in der Nähe von entzündlichen Gasen oder brennbaren Materialien benutzen (**Explosionsgefahr**)
- bei der Arbeit mit Kunststoff, Farbe, Lack und ähnlichen Materialien können entzündliche und giftige Gase entstehen; informieren Sie sich vorher über die zu bearbeitenden Materialien
- bedenken Sie, daß Hitze auf brennbare Materialien außerhalb des Sichtfeldes übertragen werden kann
- sicherheitshalber einen Eimer Wasser oder einen Feuerlöscher bereithalten, falls irgendein Material Feuer fängt
- Stromschlag verhüten
  - niemals irgendetwas in die Luftöffnung/Düse stopfen
  - Körperkontakt mit geerdeten Oberflächen (z.B. Rohren, Heizkörpern, Herden, Kühlschränken) vermeiden
  - sicherstellen, daß das Werkzeug nicht naß wird
  - das Werkzeug nicht an feuchten Orten benutzen
  - bei Anwendung im Freien das Werkzeug über einen Fehlerstrom- (FI) Schutzschalter mit einem Auslösestrom von 30 mA max. anschließen, und nur ein Verlängerungskabel benutzen, das für die Anwendung im Freien vorgesehen ist und mit einer spritzwassergeschützten Anschlußstelle versehen ist
- Mit dem Kabel vorsichtig umgehen
  - das Kabel stets vom Heißluftstrom und von der Luftöffnung/Düse fernhalten
  - das Kabel von Hitze, Öl und scharfen Kanten fernhalten
  - das Werkzeug nicht am Kabel tragen, und das Kabel zum Stromlosmachen nicht aus der Steckdose reißen
  - das Werkzeug nicht am Kabel herabhängen lassen
- Das Werkzeug niemals in Verbindung mit chemischen Lösungsmitteln benutzen
- Sicherstellen, daß der Arbeitsbereich ausreichend gelüftet ist
- Den Arbeitsbereich sauber und gut beleuchtet halten
- Stets wachsam sein; darauf achten, was Sie tun, sich auf gesunden Menschenverstand verlassen und das Werkzeug nicht benutzen, wenn Sie ermüdet sind
- Auf sicheren Stand achten; sich nicht übernehmen, insbesondere auf Leitern und Podesten
- Sicherstellen, daß das Werkzeug abgeschaltet ist, bevor es beiseite gelegt wird
- Bei elektrischer oder mechanischer Fehlfunktion das Werkzeug sofort ausschalten und den Netzstecker ziehen

#### NACH DER ANWENDUNG:

- das Werkzeug auf seinem Hinterteil in aufrechter Position ablegen
- Das Werkzeug abschalten und den Netzstecker ziehen
- Das Werkzeug vor der Aufbewahrung mindestens 30 Minuten abkühlen lassen
- Das Werkzeug niemals im Freien lagern/lassen
- Das Werkzeug an trockener und abgesperrter Stelle, für Kinder unzugänglich, lagern

#### ERKLÄRUNG DER SYMBOLE AUF DEM WERKZEUG

- ③ Die Bedienungsanleitung vor dem Gebrauch lesen
- ④ Doppelte Isolierung (kein Erdleiter erforderlich)
- ⑤ Das Werkzeug nicht in den Hausmüll werfen

## BEDIENUNG

- Ein/Aus-Schalter mit Temperatureinstellungen ⑥  
! prüfen, ob Schalter A ② sich in Stellung „0“ befindet, bevor der Netzanschluß erfolgt

- das Werkzeug durch Schieben von Schalter A in die gewünschte Stellung einschalten:

**8020**

I = 50°C, Luftstrom 350 Liter/Minute

II = 450°C, Luftstrom 350 Liter/Minute

III = 600°C, Luftstrom 500 Liter/Minute

**8040**

I = 50°C + Luftstrom 250-500 Liter/Minute

II = 50°C ... 650°C, Luftstrom 250-500 Liter/Minute

- bei erster Anwendung des Werkzeuges kann etwas Rauch austreten; dies ist normal und hört bald auf
- das Werkzeug durch Schieben von Schalter A in Stellung „0“ abschalten

- Temperatureinstellung

**! Toleranz für die angegebenen Temperaturen**

**50...90° C: max. 90° C**

**unter 300° C: ±20 %**

**über 300° C: ±10 %**

**8020**

- Temperatur mit dem Einstellrad M wählen

- Tabelle ⑥ als Bezug benutzen

**8040 ⑦**

- stellen Sie die gewünschte Zieltemperatur, in Schritten von 10°C, durch kurzes Drücken der Schalter B ein
- konstantes Drücken B der Schalter erhöht/senkt die Zieltemperatur solange, bis die Schalter gelöst werden oder die minimale/maximale Temperatur erreicht ist
- Nach der Einstellung der Solltemperatur zeigt die Anzeige D blinkende Pfeile an, bis die gewünschte Temperatur erreicht ist (nur in Position „II“)
- die Zieltemperatur wird im Speicher des Werkzeuges gespeichert, sodass sich das Werkzeug beim nächsten Einschalten auf die zuletzt gewählte Zieltemperatur aufheizt

- Luftstromeinstellung ⑧ (8040)

- stellen Sie den gewünschten Luftstrom, in Schritten von 50 l/min., durch kurzes Drücken der Schalter C ein
- das Display D zeigt die gewählte Luftstromeinstellung in einem Balkendiagramm an

- Speichereinstellung ⑨ (8040)

- Zur Auswahl einer der vier gespeicherten Speichereinstellungen auf die Schaltfläche P drücken
- Um eine Temperatur- und Luftstromeinstellung zu speichern, auf die Taste P drücken, um einen Speicherplatz auszuwählen, dann die gewünschte Temperatur und den gewünschten Luftstrom einstellen und die Taste N gedrückt halten, um die Einstellungen zu speichern

- Allgemeine Anwendung

- die richtige Temperatur durch Ausprobieren an einem unauffälligen Teil des Werkstückes ermitteln; mit einer niedrigen Temperatureinstellung beginnen
- die Temperatur fällt bei zunehmendem Abstand zwischen der Luftöffnung/Düse und dem Werkstück
- die erforderliche Temperatur hängt vom zu bearbeitenden Material ab

- Stationäre Anwendung ⑩

- das Werkzeug auf seinem Hinterteil in aufrechter Position ablegen
- sicherstellen, daß die Oberfläche sauber und staubfrei ist; verschmutzte Luft beschädigt den Motor
- sicherstellen, daß der Luftstrom von Ihnen weg gerichtet ist

- das Kabel sichern, um Herunterziehen des Werkzeuges zu verhindern
  - die Luftöffnung/Düse nicht berühren
  - sicherstellen, daß nichts in die Luftöffnung/Düse fällt
  - das Werkzeug vorsichtig mit einer Hand halten, während es mit der anderen Hand abgeschaltet wird, und es anschließend abkühlen lassen
  - Halten und Führen des Werkzeuges ①
    - das Werkzeug mit einer Hand halten
    - Lüftungsschlitze F ② unbedeckt halten
  - Standard-Zubehör ②
    - Glasschutzdüse G (zur Ablenkung des Luftstroms)
    - Runddüse H (zur Bündelung des Luftstroms)
    - Reflektordüse J (zur Ablenkung des Luftstroms)
    - Reduzierdüse K (zur Ablenkung des Luftstroms)
- HINWEISE:
- alle Anwendungsbeispiele (**außer Entfernen von Farbe an Fenstern**) können ohne Zubehör durchgeführt werden; allerdings vereinfacht entsprechendes Zubehör die Arbeit und führt zu qualitativ wesentlich besseren Ergebnissen
  - dieses Werkzeug kann auch in Kombination mit handelsüblichen Zubehöerteilen für Heißluftpistolen benutzt werden
  - Montieren/Entfernen des Zubehörs
    - das Zubehör einfach auf Luftöffnung L ② montieren
    - ein Zubehöerteil entfernen, indem es nach dem Abkühlen nach vorne abgezogen wird
- ! ein Zubehöerteil nur dann montieren, wenn die Luftöffnung kalt ist, sich der Schalter in Stellung „0“ befindet und der Netzstecker gezogen ist**
- verwenden Sie den Düsenring E zum leichten Entfernen heißer Düsen ⑫
  - Konstant-Kontrolle der Hitze (Überlastschutz)
 

Schützt Heizelement vor Beschädigung, wenn das Werkzeug überlastet ist, ohne daß es angehalten werden und/oder eine Zeitlang abkühlen muß

    - wenn die Temperatur zu hoch ist, schaltet das Heizelement sich selbst ab, während der Motor weiterläuft und kalte Luft erzeugt
    - wenn die Temperatur genügend gefallen ist (dauert nur ein paar Sekunden), wird das Heizelement automatisch eingeschaltet
- ! wenn das Werkzeug nach Arbeiten mit hoher Temperatureinstellung abgeschaltet und nach einer kurzen Pause wieder eingeschaltet wird, kann es eine Weile dauern, bis das Heizelement die gewünschte Temperatur erreicht**

## ANWENDUNGSHINWEISE

- Entfernen von Farbe/Lack ⑬
  - einen sauberen, scharfen Schaber benutzen
  - fest schaben, wenn die Farbe erweicht
  - experimentieren Sie, um herauszufinden, wie lange die Hitzeanwendung zur Erzielung optimaler Ergebnisse nötig ist
  - die erweichte Farbe sofort wegschaben, weil sie ansonsten wieder hart wird
  - das Werkzeug in einem Winkel von 30° bis 40° zum Werkstück halten
  - Farbe und Schmutz sofort vom Schaber entfernen, um deren Entzünden zu verhindern
  - nach Möglichkeit die Holzmaserung entlang schaben

- den Heißluftstrom nicht zu lange auf dieselbe Oberfläche richten
  - alle Farbfälle sicher entsorgen
  - den Arbeitsbereich nach Beendigung der Arbeit gründlich reinigen
- ! beim Entfernen von Farbschichten in Altbauten vorsichtig sein; in der Vergangenheit wurde das Gebäude evtl. mit bleihaltiger Farbe, die hochgiftig ist, angestrichen**
- ! Exposition selbst an geringe Niveaus von Blei kann das Gehirn und das Nervensystem ernsthaft schädigen; Kleinkinder und Babys im Mutterleib sind besonders gefährdet**
- ! Farbe auf Bleibasis von einem Fachmann ohne Zuhilfenahme einer Heißluftpistole entfernen lassen**
- WEITERES ANWENDUNGSBEISPIEL:
- ★ Entfernen von (synthetischen) Wandbehängen
  - Entfernen von Farbe/Lack von Fenstern ⑭
    - beim Arbeiten in der Nähe von Glas **stets** Glasschutzdüse G benutzen
    - die Farbe mit einem Handschaber entfernen
- ! das Werkzeug nicht zum Entfernen von Farbe an Metallrahmenfenstern benutzen; Metall ist ein Wärmeleiter, weshalb es zu Glasbruch kommen kann**
- Entfernen von Aufklebern (Runddüse H benutzen) ⑮
    - zahlreiche Klebstoffe werden beim Erwärmen weicher, was es ermöglicht, Klebeverbindungen aufzulösen und überflüssigen Klebstoff zu entfernen
- ! Aufkleber auf der Oberseite erhitzen**
- ! stets sicherstellen, daß die darunter befindliche Oberfläche nicht überhitzt wird**
- WEITERE ANWENDUNGSBEISPIELE:
- ★ Entfernen von Linoleum- und Vinyl-Bodenbelägen
  - ★ Entfernen von aus Kunstfasern bestehenden Teppichfliesen
  - ★ Entfernen von Furnieren/Anbringen von Furnierleisten
  - ★ Erweichen/Schmelzen von Teer, Zinn, Bitumen, Wachs (Runddüse H benutzen)
  - ★ Wachsen (Skier, Möbel) (Glasschutzdüse G benutzen) ⑯
  - ★ Entfernen von Harz
  - ★ Lockern von rostigen/zu fest angezogenen Metallschrauben, -muttern und -bolzen
  - ★ Entfernen von Kerzenwachs (**die darunter befindliche Oberfläche nicht überhitzen**)
  - ★ Reparatur zerbrochener Kerzen/Wiederherstellung der ursprünglichen Form verbogener Kerzen
  - Schrumpfpassungen ⑰
    - Reflektordüse J oder Reduzierdüse K benutzen
    - ein Schrumpfrohr mit einem zum Werkstück passenden Durchmesser wählen
    - das Schrumpfrohr gleichmäßig erwärmen
- WEITERES ANWENDUNGSBEISPIEL:
- ★ Schrumpferpackung
  - Löten von Wasserrohren ⑱
 

Dieses Werkzeug ist für das Arbeiten mit Weichlot (Schmelzpunkt unter 400°) bestens geeignet

    - Reflektordüse J benutzen
    - beide zu verbindenden Abschnitte vor dem Löten gründlich reinigen
    - beide Abschnitte vorwärmen und Lötendraht ansetzen (**kein Lötendraht auf Bleibasis benutzen**)



- Auftauen gefrorener Wasserleitungen <sup>19)</sup>
  - Reflektordüse J benutzen
  - den gefrorenen Bereich gleichmäßig auftauen
- ! **Wasserleitungen lassen sich oft nur schwer von Gasleitungen unterscheiden; das Erhitzen von Gasleitungen ist äußerst gefährlich - Explosionsgefahr**
- WEITERE ANWENDUNGSBEISPIELE:
- ★ Auftauen von aus PVC bestehenden Wasserleitungen (**Position II, max. 60°C**)
- ★ Auftauen von gefrorenen Kfz-Schlössern (**Position II, max. 60°C**) (Reduzierdüse benutzen)
- ★ Entfrosten von Tiefkühltruhen (**nicht das Kunststoffgehäuse beschädigen**)
- ★ Auftauen von eisbedeckten Stufen und Bürgersteigen
- Formen von Kunststoffrohren
  - Reflektordüse J benutzen
  - das Rohr mit Sand füllen und es an beiden Enden verschließen, um Knicken des Rohres zu vermeiden
  - das Rohr gleichmäßig erwärmen, indem es von einer Seite zur anderen bewegt wird
- WEITERE ANWENDUNGSBEISPIELE:
- ★ Formen sämtlicher Kunststoffe mit einem niedrigen Schmelzpunkt (Polyethylen, PVC usw.)
- ★ Formen sämtlicher Kunststoffe mit einem hohen Schmelzpunkt (Acrylglas, Plexiglas usw.)
- ★ Formen und Biegen von aus Kunstfasern bestehenden Teppichfliesen
- ★ Formen und Biegen von Holz (Modellbau)
- Schweißen von Kunststoffen
  - die Schweißnaht muß sauber und fettfrei sein
  - den Schweißdraht nahe an die Schweißnaht halten und Hitze zuführen, bis der Schweißdraht klebrig wird
  - Wärme wegnehmen, wenn Schweißnaht gefüllt ist
- WEITERE ANWENDUNGSBEISPIELE:
- ★ Reparatur von Surfbrettern, Skiern und sonstigen Sportgeräten aus Kunststoff (Runddüse H benutzen)
- ★ Schweißen von PVC-Materialien
- ★ Glätten von Blasen nach Anbringen von PVC-Etiketten
- ★ Anschluß von Gartenschläuchen (Reflektordüse J benutzen)
- Trocknen
  - ! **nur mit einer niedrigen oder mittleren Temperatureinstellung (Position I oder II) und bei einer größeren Entfernung zwischen Werkzeug und Werkstück trocknen**
  - Trocknen von Farbe, Lack, Gips, Mörtel und Verputz
  - Trocknen von nassem Holz vor dem Füllen
  - Schnelltrocknen von dick aufgetragenem Füllmaterial oder Klebstoff
  - Trocknen von Baufugen vor Aufsprühen von Isolierung oder Dichtmasse
  - Trocknen von Fugen und Rissen im Bootbau
- Reinigung/Desinfektion
  - Desinfektion von Kaninchenställen, Taubenschlägen usw. (**Ihr Haustier zuerst herausnehmen**)
  - Bekämpfung von Ameisenkolonien
  - Bekämpfung von Holzwürmern und Bohrkäfern (**das Werkzeug vom Holz entsprechend weit entfernt halten**)
  - Unkrautvernichtung

## WARTUNG / SERVICE

- Dieses Werkzeug eignet sich nicht für den professionellen Einsatz
- Verwenden Sie niemals entzündliche Flüssigkeiten zur generellen Reinigung der Heißluftpistole und insbesondere der Luftöffnung/Düse
- Halten Sie Werkzeug und Kabel immer sauber (insbesondere die Lüftungsschlitze F <sup>2)</sup>)
- Sollte das Elektrowerkzeug trotz sorgfältiger Herstellungs- und Prüfverfahren einmal ausfallen, ist die Reparatur von einer autorisierten Kundendienststelle für SKIL-Elektrowerkzeuge ausführen zu lassen
  - das Werkzeug **unzerlegt**, zusammen mit dem Kaufbeleg, an den Lieferer oder die nächste SKIL-Vertragswerkstätte senden (die Anschriften so wie die Ersatzteilzeichnung des Werkzeuges finden Sie unter [www.skil.com](http://www.skil.com))
- Beachten Sie, dass ein falscher oder unsachgemäßer Gebrauch des Werkzeugs zum Erlöschen der Garantie führt (die SKIL-Garantiebedingungen finden Sie unter [www.skil.com](http://www.skil.com) oder fragen Sie Ihren Händler)

## UMWELT

- **Elektrowerkzeuge, Zubehör und Verpackungen nicht in den Hausmüll werfen** (nur für EU-Länder)
  - gemäß Europäischer Richtlinie 2012/19/EG über Elektro- und Elektronik- Altgeräte und Umsetzung in nationales Recht müssen nicht mehr gebrauchsfähige Elektrowerkzeuge getrennt gesammelt und einer umweltgerechten Wiederverwertung zugeführt werden
  - hieran soll Sie Symbol <sup>5)</sup> erinnern

NL

## Hotelucht pistool

8020/8040

## INTRODUCTIE

- Deze machine is bestemd voor het verwijderen van verflagen, het vervormen en lassen van kunststof, en het verwarmen van krimpousen; de machine is eveneens geschikt voor soldeer-en vertinwerk, het losmaken van lijmverbindingen en het ontdooien van waterleidingen
- Deze machine is niet bedoeld voor professioneel gebruik
- Lees en bewaar deze gebruiksaanwijzing <sup>3)</sup>

## TECHNISCHE GEGEVENS <sup>1)</sup>

## MACHINE-ELEMENTEN <sup>2)</sup>

- A** Aan/uit schakelaar
- B** Knoppen voor instellen temperatuur (8040)
- C** Knoppen voor instellen van luchtstroom (8040)
- D** Display (LCD) (8040)
- E** Mondstukvrijgavering
- F** Ventilatie-openingen
- G** Glasbeschermingsmondstuk
- H** Rond mondstuk
- J** Reflektormondstuk
- K** Reduceermondstuk
- L** Luchtuitlaat/mondstuk
- M** Draaiknop (8020)
- N** Knop voor geheugenopslag (8040)
- P** Knop voor geheugenselectie (8040)

## VEILIGHEID

### ALGEMEEN

- **Deze machine kan door kinderen vanaf 8 jaar alsook door personen met beperkte fysieke, sensorische of geestelijke capaciteiten of ontbrekende ervaring en kennis gebruikt worden als deze onder toezicht staan van een voor hun veiligheid verantwoordelijke persoon of over het veilige gebruik van de machine geïnformeerd werden en de hiermee gepaard gaande gevaren begrijpen** (anders bestaat er gevaar voor foute bediening en verwondingen)
- **Houd toezicht op kinderen** (daarmee wordt gewaarborgd dat kinderen niet met de machine spelen)
- **De reiniging en het onderhoud van de machine door kinderen mogen niet zonder toezicht plaatsvinden**

### VOÓR GEBRUIK:

- Controleer vóór elk gebruik de werking van de machine, en laat deze in geval van een defect onmiddellijk repareren door een erkende vakman; open zelf nooit de machine
- Controleer vóór elk gebruik het snoer en de stekker en laat deze bij beschadiging door een erkende vakman vervangen
- Gebruik volledig uitgerolde en veilige verlengsnoeren met een capaciteit van 16 Ampère
- Gebruik de machine nooit als het snoer is beschadigd; het moet worden vervangen door de fabrikant, zijn vertegenwoordiger of vergelijkbaar gekwalificeerde personen om gevaar te voorkomen.
- Gebruik de machine en haar accessoires volgens deze gebruiksaanwijzing en voor het doel waarvoor de machine bestemd is; het gebruik van de machine voor afwijkende toepassingen, waarvan men normaliter mag verwachten dat de machine deze niet kan uitvoeren, kan gevaar opleveren
- Controleer altijd of het voltage, dat vermeld staat op het typeplaatje van de machine, overeenkomt met de netspanning
- Zorg ervoor, dat de machine is uitgeschakeld, wanneer de stekker in het stopcontact gestoken wordt

### TIJDENS GEBRUIK:

- Ga zorgvuldig met de machine om; voorkom brand en brandletsel
  - raak het (opzet)mondstuk en het verhitte voorwerp niet aan; deze worden extreem heet
  - houd het (opzet)mondstuk nooit te dicht bij het te bewerken voorwerp
  - richt de hete luchtstroom niet te lang op één plaats
  - kijk nooit in het (opzet)mondstuk
  - draag beschermende handschoenen en een veiligheidsbril
  - richt de hete luchtstroom nooit op personen of dieren
  - gebruik de machine nooit als haardroger
  - laat de machine niet onbeheerd achter
  - gebruik de machine nooit in de buurt van ontvlambare gassen of brandbare materialen (**explosiegevaar**)
  - bij het bewerken van kunststof, verf, lak, en vergelijkbaar materiaal, kunnen ontvlambare en giftige gassen ontstaan; controleer voor de bewerking met welke materialen u te maken hebt
  - houd er rekening mee, dat de warmte naar brandbare materialen geleid kan worden, die niet zichtbaar zijn
  - zet voor alle veiligheid een emmer water of een brandblusapparaat klaar, voor het geval dat materialen in brand vliegen
- Voorkom een elektrische schok
  - steek nooit iets in het (opzet)mondstuk
  - vermijd lichaamscontact met geaarde objecten (zoals bijv. metalen buizen, CV-radiatoren, fornuizen, koelkasten)
  - zorg ervoor, dat de machine niet vochtig wordt
  - gebruik de machine niet in een vochtige omgeving
  - sluit uw machine, bij gebruik buitenshuis, aan via een aardlekschakelaar (FI) met maximaal 30 mA uitschakelstroom, en gebruik alleen voor buitenshuis gebruik goedgekeurde verlengsnoeren, voorzien van een spatwaterdichte contactstop
- Ga zorgvuldig met het snoer om
  - houd het snoer altijd uit de buurt van de hete luchtstroom en het (opzet)mondstuk
  - bescherm het snoer tegen hitte, olie en scherpe kanten
  - draag de machine niet aan het snoer, en gebruik het snoer niet om de stekker uit het stopcontact te trekken
  - hang de machine niet op aan het snoer
- Gebruik de machine nooit samen met chemische oplosmiddelen
- Zorg voor goede ventilatie in de werkruimte
- Houd de werkruimte op orde en zorg voor goede verlichting
- Wees steeds opperzaam; houd uw ogen steeds op het werk gericht, ga met verstand te werk, en gebruik de machine niet, als u moe bent
- Zorg voor een veilige houding; probeer niet ver te reiken, vooral op ladders en steigers
- Zorg ervoor, dat de machine uitgeschakeld is, voordat u deze neerlegt
- In geval van elektrische of mechanische storing, de machine onmiddellijk uitschakelen en de stekker uit het stopcontact trekken

### NA GEBRUIK:

- zet de machine op de achterkant neer met het (opzet)mondstuk omhoog
- Schakel de machine uit en trek de stekker uit het stopcontact

- Laat de machine tenminste 30 minuten afkoelen voor u deze opbergt
- De machine niet buitenshuis opbergen/achterlaten
- Berg de machine op in droge, afgesloten ruimten, buiten het bereik van kinderen

#### UITLEG VAN SYMBOLEN OP MACHINE

- ③ Lees de gebruiksaanwijzing vóór gebruik
- ④ Dubbele isolatie (geen aarddraad nodig)
- ⑤ Geef de machine niet met het huisvuil mee

## GEBRUIK

- Aan/uit schakelaar met temperatuur-standen ⑥
  - ! **controleer of schakelaar A ② op "0" staat voordat u de stekker in het stopcontact steekt**
  - schakel uw machine in door schakelaar A in de gewenste positie te zetten:
    - 8020**
    - I = 50°C, luchtstroom 350 liter/minuut
    - II = 450°C, luchtstroom 350 liter/minuut
    - III = 600°C, luchtstroom 500 liter/minuut
  - 8040**
  - I = 50°C + luchtstroom 250-500 liter/minuut
  - II = 50°C ... 650°C, luchtstroom 250-500 liter/minuut
  - de machine geeft bij het eerste gebruik misschien wat rook af; dit is normaal, de rook zal snel verdwijnen
  - schakel uw machine uit door schakelaar A op "0" te zetten
- Temperatuur instellen
  - ! **voor de aangegeven temperaturen geldt een tolerantie**
  - 50 - 90°C: max. 90°C**
  - minder dan 300°C: ±20%**
  - meer dan 300°C: ±10%**
  - 8020**
  - gebruik de draaiknop M om de gewenste temperatuurinstelling te selecteren
  - gebruik de tabel ⑥ als referentiepunt
  - 8040 ⑦**
  - stel de gewenste temperatuur met stappen van 10°C in door kort op knoppen B te drukken
  - door constant op knoppen B te drukken gaat de doeltemperatuur voortdurend omhoog/omlaag tot de knoppen worden losgelaten of de minimale/maximale temperatuur is bereikt
  - nadat de beoogde temperatuur is ingesteld, worden op het display D knipperende pijlen weergegeven totdat de gewenste temperatuur is bereikt (alleen in stand 'II')
  - de doeltemperatuur wordt opgeslagen in het geheugen, zodat het gereedschap altijd tot de laatst geselecteerde doeltemperatuur wordt opgewarmd wanneer het wordt aangezet
- Luchtstroom instellen ⑧ (8040)
  - stel de gewenste luchtstroom met stappen van 50 l/min in door kort op knoppen C te drukken
  - op display D wordt de luchtstroominstelling getoond in een staafgrafiek
- Geheugeninstelling ⑨ (8040)
  - om een van de vier opgeslagen geheugeninstellingen te selecteren, drukt u op de knop P
  - om een temperatuur- en luchtstroominstelling op te slaan, drukt u op de knop P om een opslagplaats te selecteren, stelt u de gewenste temperatuur en luchtstroom in en houdt u knop N ingedrukt om de instelling op te slaan

- Algemeen gebruik
  - bepaal de juiste temperatuur door uit te proberen op een onopvallend gedeelte van het werkstuk; begin met een lage temperatuur
  - de temperatuur daalt, naarmate de afstand tussen (opzet)mondstuk en werkstuk groter wordt
  - de benodigde temperatuur is afhankelijk van het te bewerken materiaal
- Stationair gebruik ⑩
  - zet de machine op de achterkant neer met het (opzet)mondstuk omhoog
  - zorg dat de ondergrond schoon en stofvrij is; verontreinigde lucht beschadigt de motor
  - zorg ervoor, dat de luchtstroom niet in uw richting blaast
  - maak het snoer vast, om te voorkomen dat de machine omver getrokken wordt
  - raak het (opzet)mondstuk niet aan
  - zorg ervoor, dat er niets in het (opzet)mondstuk valt
  - houd de machine voorzichtig met de ene hand vast, terwijl u hem met de andere hand uitschakelt, en laat hem vervolgens afkoelen
- Vasthouden en leiden van de machine ⑪
  - houd de machine met één hand vast
  - houd ventilatie-openingen F ② onbedekt
- Standaard accessoires ⑫
  - glasbeschermingsmondstuk G (buigt de luchtstroom weg van het glasoppervlak)
  - Ronde spuitmond H (om de luchtstroom te concentreren)
  - reflektormondstuk J (reflecteert de luchtstroom)
  - reduceermondstuk K (concentreert de luchtstroom)
- OPMERKINGEN:
  - alle toepassingsmogelijkheden (**behalve het verwijderen van verf in de buurt van glas**) kunnen worden uitgevoerd zonder accessoires; het gebruik van het juiste accessoire vereenvoudigt echter de werkzaamheden en verbetert de kwaliteit van het resultaat aanzienlijk
  - deze machine kan ook worden gebruikt in combinatie met algemeen verkrijgbare accessoires voor hetelucht pistolen
- Aanbrengen/verwijderen van accessoires
  - plaats het accessoire eenvoudig op mondstuk L ②
  - verwijder een accessoire door deze in afgekoelde toestand naar voren toe weg te trekken
  - ! **breng een accessoire alleen aan, wanneer het mondstuk is afgekoeld, met de schakelaar op "0", en met de stekker uit het stopcontact**
  - gebruik mondstukvrijgavering E om het verwijderen van hete mondstukken te vereenvoudigen ⑬
- Constante hitte-beheersing (bescherming tegen oververhitting)
  - Bescherm het verwarmingselement tegen doorbranden, zonder de noodzaak de machine te stoppen en/of een tijdje te laten afkoelen
  - wanneer de temperatuur te hoog oploopt, schakelt het verwarmingselement zichzelf uit, terwijl de motor door blijft lopen en koude lucht blaast
  - wanneer de temperatuur voldoende gedaald is (duurt slechts enkele seconden), wordt het verwarmingselement vanzelf weer ingeschakeld
  - ! **wanneer de machine wordt uitgeschakeld nadat deze is gebruikt in hoge temperatuurstand en**

vervolgens na een korte pauze opnieuw wordt gebruikt, kan het enige tijd duren voordat het verwarmingselement de gewenste temperatuur bereikt

## TOEPASSINGSADVIES

- Verwijderen van verf/lak <sup>(13)</sup>
  - gebruik een schone, scherpe verkraaber
  - krab stevig, als de verf zachter wordt
  - probeer zelf uit hoe lang de verf verwarmd moet worden om de beste resultaten te verkrijgen
  - krab zacht geworden verf onmiddellijk af, voordat deze weer hard wordt
  - houd een hoek van 30° tot 40° aan tussen de machine en het werkstuk
  - verwijder verf en vuil op de kraaber meteen, om ontbranding ervan te voorkomen
  - krab, waar mogelijk, met de houtnerf mee
  - richt de hete luchtstroom niet te lang op één plaats
  - gooi de oude verf op een veilige manier weg
  - maak de werkomgeving na beëindiging van de werkzaamheden grondig schoon

**! wees voorzichtig met het verwijderen van verflagen in oude gebouwen; in het verleden kan het gebouw geschilderd zijn met verf op basis van lood, hetgeen uiterst giftig is**

**! blootstelling aan zelfs de kleinste hoeveelheid lood kan leiden tot ernstige hersen- en zenuwaandoeningen; vooral kinderen en zwangere vrouwen zijn uiterst kwetsbaar**

**! laat verf op basis van lood door een vakkundig persoon en zonder heteluchtpistool verwijderen**
- ANDERE TOEPASSINGSMOGELIJKHEID:
  - ★ verwijderen van (synthetische) muurbedekking
- Verwijderen van verf/lak van raamkozijnen <sup>(14)</sup>
  - gebruik **altijd** glasbeschermingsmondstuk G bij werkzaamheden in de buurt van glas
  - verwijder de verf met een handkraaber

**! gebruik de machine niet bij metalen raamkozijnen; metaal is warmtegeleidend waardoor glas kan breken**
- Verwijderen van stickers (gebruik rond mondstuk H <sup>(15)</sup>)
  - veel lijmsoorten worden zacht bij verwarmen; verbindingen kunnen dan worden losgetrokken en de overtollige lijm kan worden verwijderd

**! verwarm sticker aan bovenkant**

**! zorg er altijd voor dat de onderliggende oppervlakte niet oververhit raakt**
- ANDERE TOEPASSINGSMOGELIJKHEDEN:
  - ★ verwijderen van linoleum- en vinyl-vloerbedekking
  - ★ verwijderen van vloertegels gemaakt van synthetische vezels
  - ★ verwijderen van fineerlagen/aanbrengen van fineerstrips
  - ★ week/vloeibaar maken van teer, tin, bitumen, was (gebruik rond mondstuk H)
  - ★ aanbrengen en verwijderen van was (ski's, meubilair) (gebruik glasbeschermingsmondstuk G) <sup>(16)</sup>
  - ★ verwijderen van hars
  - ★ losmaken van roestige/te strak aangedraaide schroeven, moeren en bouten
  - ★ verwijderen van kaarsvet (**onderliggend oppervlak niet oververhitten**)

- ★ repareren van gebroken kaarsen/in originele staat terugbrengen van verbogen kaarsen
- Krimpen <sup>(17)</sup>
  - gebruik reflectormondstuk J of reduceermondstuk K
  - neem een krimpkins, waarvan de doorsnede past bij het werkstuk
  - verwarm de krimpkins gelijkmatig
- ANDERE TOEPASSINGSMOGELIJKHEID:
  - ★ aanbrengen van krimpverpakkingen
- Solderen van waterleidingbuizen <sup>(18)</sup>

Deze machine is uitermate geschikt voor het werken met zachte soldoer (smeltpunt lager dan 400°C)

  - gebruik reflektormondstuk J
  - maak de beide verbindingseinden zorgvuldig schoon vóór het solderen
  - verhit beide uiteinden en voeg soldoerdraad toe (**geen soldoerdraad op basis van lood gebruiken**)
- Ontdooien van bevroren waterleidingbuizen <sup>(19)</sup>
  - gebruik reflektormondstuk J
  - verwarm de bevroren plek gelijkmatig

**! waterleidingbuizen zijn uiterlijk vaak niet te onderscheiden van gasleidingbuizen; het verwarmen van gasleidingbuizen is levensgevaarlijk – explosiegevaar**
- ANDERE TOEPASSINGSMOGELIJKHEDEN:
  - ★ ontdooien van waterleidingbuizen gemaakt van PVC (**positie II, max. 60°C**)
  - ★ ontdooien van bevroren autosloten (**positie II, max. 60°C**) (gebruik reduceermondstuk )
  - ★ ontdooien van diepvriezers (**beschadig het kunststof niet**)
  - ★ ontdooien van beijzeldde trappen en stoepen
- Vervormen van kunststof buizen
  - gebruik reflektormondstuk J
  - vul de buis met zand en sluit de buis aan beide kanten af, om te verhinderen dat deze omknikt
  - verwarm de buis regelmatig door deze heen en weer te bewegen
- ANDERE TOEPASSINGSMOGELIJKHEDEN:
  - ★ vervormen van alle kunststoffen met een laag smeltpunt (polyethyleen, PVC etc.)
  - ★ vervormen van alle kunststoffen met een hoog smeltpunt (acryl- en plexiglas etc.)
  - ★ vervormen en buigen van vloertegels gemaakt van synthetische vezels
  - ★ vervormen en buigen van hout (modelbouw)
- Lassen van kunststof
  - de lasnaad moet schoon en vetvrij zijn
  - verwarm de lasnaad tot de lasdraad, die je erbij houdt, vloeibaar wordt
  - verwijder hittebron, als lasnaad is volgevoerd
- ANDERE TOEPASSINGSMOGELIJKHEDEN:
  - ★ repareren van surfplanken, ski's en andere synthetische sportartikelen (gebruik rond mondstuk H)
  - ★ lassen van PVC-materiaal
  - ★ gladstrijken van blazen na het lassen van PVC-materiaal
  - ★ maken van tuinslangverbindingen (gebruik reflectormondstuk J)
- Drogen
  - ! droog alleen met de lage of middelste temperatuurstand (positie I of II) en met een grotere afstand tussen de machine en het werkstuk**

- drogen van verf, vernis, gips, specie en pleister
- drogen van vochtig hout vóór het plamuren
- snel drogen van dik opgebrachte plamuur- en lijmsorten
- drogen van voegen vóór het aanbrengen van isolatie- en afdichtmateriaal
- drogen van voegen en naden in de botenbouw
- Schoonmaken/desinfecteren
  - desinfecteren van konijnenhokken, duiventillen, enz. (**verwijder eerst uw huisdier**)
  - bestrijden van mierennesten
  - bestrijden van houtwormen en boktorren (**houd de machine op een gepaste afstand van het hout**)
  - verwijderders van onkruid

## ONDERHOUD / SERVICE

- Deze machine is niet bedoeld voor professioneel gebruik
- Gebruik nooit licht ontvlambare vloeistoffen bij het schoonmaken van de machine in het algemeen en het (opzet)mondstuk in het bijzonder
- Houd machine en snoer altijd schoon (met name de ventilatie-openingen F ②)
- Mocht het elektrische gereedschap ondanks zorgvuldige fabricage- en testmethoden toch defect raken, dient de reparatie te worden uitgevoerd door een erkende klantenservice voor SKIL elektrische gereedschappen
  - stuur de machine **ongedemonteerd**, samen met het aankoopbewijs, naar het verkoopadres of het dichtstbijzijnde SKIL service-station (de adressen evenals de onderdeelentekening van de machine vindt u op [www.skil.com](http://www.skil.com))
- Denk erom, dat beschadigingen als gevolg van overbelasting of onjuist gebruik van de machine niet onder de garantie vallen (voor de garantievoorwaarden van SKIL zie [www.skil.com](http://www.skil.com) of raadpleeg uw dealer)

## MILIEU

- **Geef elektrisch gereedschap, accessoires en verpakkingen niet met het huisvuil mee** (alleen voor EU-landen)
  - volgens de Europese richtlijn 2012/19/EG inzake oude elektrische en elektronische apparaten en de toepassing daarvan binnen de nationale wetgeving, dient afgedankt elektrisch gereedschap gescheiden te worden ingezameld en te worden afgevoerd naar een recycle-bedrijf, dat voldoet aan de geldende milieu-eisen
  - symbool ⑤ zal u in het afdankstadium hieraan herinneren

S

**Värmepistol 8020/8040**

## INTRODUKTION

- Denna maskin är avsedd för att ta bort färg, forma och svetsa plast och värma krympplast; den lämpar sig också för att löda och förtenna, lossa limmade fogar och tina frysta vattenrör
- Det här verktyget är inte avsedd för yrkesmässig användning
- Läs och spara denna instruktionsbok ③

## TEKNISKA DATA ①

## VERKTYGSELEMENT ②

- A Till/från strömbrytare
- B Knappar för temperaturinställning (8040)
- C Knappar för inställning av luftflödet (8040)
- D Ruta (LCD) (8040)
- E Släppring för munstycke
- F Ventilationsöppningar
- G Glasskyddsmunstycke
- H Runt munstycke
- J Reflektormunstycke
- K Reduktionsmunstycke
- L Luftutsläpp/munstycke
- M Vridhjul (8020)
- N Knapp för minneslagring (8040)
- P Knapp för minnesval (8040)

## SÄKERHET

### ALLMÄNT

- **Det här verktyget får användas av barn från 8 år och personer med begränsad fysisk, sensorisk eller mental förmåga eller med bristande kunskap och erfarenhet om de övervakas av en person som ansvarar för deras säkerhet, eller som instruerar dem i säker hantering av verktyget och gör att de förstår riskerna** (i annat fall föreligger fara för felanvändning och skador)
- **Håll barn under uppsikt** (barn får inte leka med maskinen)
- **Utan uppsikt får barn inte rengöra eller underhålla verktyget**

### FÖRE ANVÄNDNINGEN:

- Kontrollera före användningen att maskinen fungerar ordentligt; eventuella skador måste repareras av en kvalificerad tekniker; öppna aldrig maskinen själv
- Inspektera sladden och kontakten på maskinen före varje användningstillfälle; om de är skadade måste de bytas av en kvalificerad tekniker
- Använd helt uttrullade och säkra förlängningssladdar med kapacitet på 16 A
- Använd aldrig verktyget om sladden är skadad; den måste bytas av tillverkaren, dennes serviceombud eller liknande kvalificerade personer i syfte att undvika risker.
- Använd maskinen och dess tillbehör enligt denna bruksanvisning och på avsett sätt; om den används för andra ändamål än de avsedda kan det leda till en risksituation

- Kontrollera alltid att den tillförda strömtypen stämmer med spänningen som anges på maskinens märkplåt
- Se till att maskinen är avstängd innan du sätter i kontakten

#### UNDER ANVÄNDNINGEN:

- Hantera maskinen med försiktighet; förebygg eldsvåda och brännskador
  - vidrör inte luftutsläppet/munstycket och det värmda föremålet; de blir mycket varma
  - håll inte luftutsläppet/munstycket för nära det du arbetar med
  - rikta inte det varma luftflödet mot samma ställe för länge
  - titta aldrig ner i luftutsläppet/munstycket
  - använd skyddshandskar och skyddsglasögon
  - rikta aldrig den varma luftströmmen mot personer eller djur
  - använd aldrig maskinen för att torka håret
  - lämna aldrig maskinen obevakad
  - använd aldrig maskinen i närheten av antändliga gaser eller brännbart material (**explosionsrisk**)
  - vid arbete med plast, färg, fernissa och liknande material kan det hända att antändliga och giftiga gaser avgas; informera dig på förhand om materialet som du skall arbeta med
  - tänk på att värme kan överföras till antändliga material utanför ditt synfält
  - ha för säkerhets skull en hink vatten eller en eldsläckare till hands om något material skulle ta eld
- Förhindra elektrisk stöt
  - stoppa aldrig ner något i luftutsläppet/munstycket
  - undvik kroppskontakt med jordade föremål (t.ex. rör, element, spisar, kylskåp)
  - se till att maskinen inte blir värd
  - använd inte maskinen på fuktiga ställen
  - om maskinen används utomhus skall den vara ansluten till en jordfelsbrytare (FI) på högst 30 mA; använd bara en förlängningssladd avsedd för utomhusbruk och utrustad med en stänkskyddad kontakt
- Hantera sladden med försiktighet
  - håll alltid sladden borta från den varma luftströmmen och luftutsläppet/munstycket
  - håll sladden på avstånd från värme, olja och vassa kanter
  - bär inte maskinen i sladden och ryck inte i sladden för att dra ut den ur uttaget
  - häng inte maskinen i sladden
- Använd aldrig maskinen tillsammans med kemiska lösningsmedel
- Se till att arbetsområdet är ordentligt ventilerat
- Håll arbetsområdet rent och väl belyst
- Var uppmärksam; tänk på vad du gör, använd sunt förstånd och använd inte maskinen när du är trött
- Stå stadigt; luta dig inte för långt, särskilt på stegar och arbetsställningar
- Se till att maskinen är avstängd innan du ställer undan den
- I händelse av onormala elektriska eller mekaniska störningar, stäng genast av maskinen och dra ur stickkontakten

#### EFTER ANVÄNDNINGEN:

- ställ maskinen upprätt på bakkanten
- Stäng av maskinen och dra ut kontakten
- Låt maskinen svalna i minst 30 minuter innan du förvarer den
- Förvara/lämna aldrig maskinen utomhus

- Förvara maskinen på torrt ställe utom räckhåll för barn

#### FÖRKLARING AV SYMBOLERNA PÅ VERKTYGET

- ③ Läs bruksanvisningen före användning
- ④ Dubbel isolering (ingen jordning krävs)
- ⑤ Maskinen får inte kastas i hushållssoporna

## ANVÄNDNING

- På/av-knapp med temperaturinställningar ⑥
  - ! **kontrollera att knapp A ② står i läget "0" innan du sätter i kontakten**
  - koppla på maskinen genom att ställa knapp A i önskat läge:
    - 8020**
    - I = 50°C, luftflöde 350 liter/minut
    - II = 450°C, luftflöde 350 liter/minut
    - III = 600°C, luftflöde 500 liter/minut
    - 8040**
    - I = 50°C + luftflöde 250-500 liter/minut
    - II = 50°C ... 650°C, luftflöde 250-500 liter/minut
  - när maskinen används för första gången kan det hända att den avger litet rök; det är normalt och upphör efter en stund
  - koppla av maskinen genom att ställa knapp A i läget "0"
- Temperaturinställning
  - ! **det finns en tolerans för de visade temperaturerna 50–90 °C: max 90 °C mindre än 300 °C: ±20 % mer än 300 °C: ±10 %**
  - 8020**
  - använd vridhjulet M för att välja önskad temperaturinställning
  - använd tabellen ⑥ som referens
  - 8040 ⑦**
  - ställ in önskad måltemperatur i steg på 10°C med korta tryck på knapparna B
  - om du håller knapparna B intryckta, fortsätter måltemperaturen att höjas/sänkas tills du släpper knappen eller minimi-/maximitemperaturen har nåtts
  - när måltemperaturen har ställts in visas blinkande pilar på displayen D tills den önskade temperaturen har nåtts (endast i position "II")
  - måltemperaturen lagras i verktygets minne, så att det värms upp till den senast inställda måltemperaturen varje gång den kopplas in
- Inställning av luftflödet ⑧ (8040)
  - ställ in önskat luftflöde i steg om 50 l/min med korta tryck på knapparna C
  - på displayen D visas den aktuella luftflödesinställningen i ett stapeldiagram
- Minnesinställning ⑨ (8040)
  - välj en av de fyra sparade minnesinställningarna genom att trycka på knappen P
  - spara en temperatur- och luftflödesinställning genom att trycka på knappen P för att välja en minnesplats, ange önskad temperatur och luftflöde och håll in knappen N för att spara inställningen
- Allmän användning
  - bestäm lämplig temperatur genom att prova på ett mindre synligt ställe på arbetsstycket; börja på låg inställning
  - temperaturen sjunker när avståndet mellan luftutsläppet/munstycket och arbetsstycket ökar
  - lämplig temperatur beror på vilket material som skall bearbetas

- Användning i stationärt läge <sup>10</sup>
  - ställ maskinen upprätt på bakkanten
  - se till att ytorna är rena och dammfria; förorenad luft skadar motorn
  - se till att luftflödet är riktat från dig.
  - fäst sladden så att den inte kan dra ner maskinen
  - vidrör inte luftutsläppet/munstycket
  - se till att ingenting kan ramlar ner i luftutsläppet/munstycket
  - håll maskinen försiktigt med en hand och stäng av den med den andra; låt den sedan kalla
- Fattning och styrning av maskinen <sup>11</sup>
  - håll maskinen med ena handen
  - håll ventilationsöppningarna F <sup>2</sup> ej övertäckta
- Standardtillbehör <sup>2</sup>
  - deflektormunstycke G (för att skydda glasrutan för luftflödet)
  - runt munstycke H (för att koncentrera luftflödet)
  - reflektormunstycke J (för att återkasta luftflödet)
  - reducermunstycke K (för att koncentrera luftflödet)

#### ANMÄRKNINGAR:

- alla arbeten (**utom att ta bort färg från fönsterramar**) kan utföras utan tillbehör, men med ett lämpligt tillbehör blir arbetet enklare och kvaliteten på resultatet betydligt bättre
- det här verktyget kan även användas tillsammans med vanliga tillbehör för värmepistoler
- Montera/demontera tillbehör
  - sätt helt enkelt tillbehöret på luftutsläppet L <sup>2</sup>
  - tag bort tillbehöret genom att dra av det från framsidan sedan det har svaltat
- ! **sätt bara på tillbehör när luftutsläppet är kallt, knappen i läget "0" och kontakten urdragen**
- använd munstyckets släppring E för att enkelt avlägsna ett varmt munstycke <sup>12</sup>
- Konstant värmekontroll (överbelastningsskydd)

Skyddar värmeelementet så det inte tar skada när maskinen överbelastas utan att du behöver stanna den och/eller vänta tills det kallnat

  - när temperaturen blir för hög stänger värmeelementet av sig automatiskt; motorn fortsätter att gå och kall luft blåses ut
  - när temperaturen har sjunkit tillräckligt (tar bara ett par sekunder), kommer värmeelementet på igen automatiskt
- ! **när verktyget stängs av efter att ha arbetat med en hög temperaturinställning och startas igen efter en kort paus kan det ta lite tid innan uppvärmningselementet uppnår önskad temperatur**

## ANVÄNDNINGSTIPS

- Avlägsna färg/lack <sup>13</sup>
  - använd ett rent vasst skrapverktyg
  - skrapa kraftigt när färgen mjuknar
  - pröva dig fram med hur länge du behöver värma för bäst resultat
  - skrapa av färgen så fort som den mjuknat, annars hårdnar den igen
  - håll en 30° - 40° vinkel mellan maskinen och arbetsstycket
  - avlägsna färg och skrap omedelbart från skrapverktyget så att det inte tar eld

- skrapa närhelst möjligt utefter träets ådring
- rikta inte det varma luftflödet mot samma ställe för länge
- gör av med all bortskrapad färg på säkert sätt
- gör rent arbetsområdet noggrant när du är klar
- ! **var försiktig när du tar bort färg i gamla hus; förr i tiden användes ibland färg som innehåller bly, vilket är mycket giftigt**
- ! **även låga koncentrationer av bly kan orsaka allvarliga skador på hjärnan och nervsystemet; små barn och foster är särskilt utsatta**
- ! **överlämna till en hantverkare att ta bort blybaserad färg utan användning av värmepistol**
- ANNAT ANVÄNDNINGSSOMRÅDE:
  - ★ avlägsna (syntetisk) väggbeklädnad
- Avlägsna färg/lack från fönsterramar <sup>14</sup>
  - använd **alltid** glasskyddsmunstycke G när du arbetar inuti glasrutor
  - tag bort färgen med ett handskrapverktyg
  - ! **använd inte maskinen för att ta bort färg från fönsterramar av metall; metall leder värme och kan få fönsterrutan att gå sönder**
- Ta bort klistermärken (använd runt munstycke H) <sup>15</sup>
  - många klister typer blir mjukare när de värms; då kan vidhäftningsslagren skiljas åt, och därefter kan kvarblivet lim tas bort
  - ! **värm klistermärket på översidan**
  - ! **var alltid försiktig så att ytan under inte värms för mycket**
- ANDRA ANVÄNDNINGSSOMRÅDEN:
  - ★ avlägsna linoleum- och vinylgolv
  - ★ avlägsna mattplattor av syntetfiber
  - ★ avlägsna fernissa/lägga på ränder av fernissa
  - ★ mjuka upp/smälta tjära, tenn, beck, stearin (använd runt munstycke H)
  - ★ vax/valla (skidor, möbler) (använd glasskyddsmunstycke G) <sup>16</sup>
  - ★ avlägsna harts
  - ★ lossa rost/för hårt åtdragna metallskruvar, muttrar och bultar
  - ★ avlägsna stearin (**värm inte ytan under för mycket**)
  - ★ reparera brutna ljus/återställa böjda stearinljus till ursprunglig form
- Krypplast <sup>17</sup>
  - använd reflektormunstycke J eller reducermunstycke K
  - välj ett kryppplaströr med en diameter som passar arbetsstycket
  - värm klyppplasten jämnt
- ANNAT ANVÄNDNINGSSOMRÅDE:
  - ★ kryppförpackning
- Löda vattenrör <sup>18</sup>

denna maskin lämpar sig bäst för arbete med mjukt lödtenn (smältpunkt under 400°)

  - använd reflektormunstycke J
  - gör noga rent båda arbetsstyckena innan du börjar löda
  - förvärm de båda styckena och lägg på lödtråd (**använd inte blybaserad lödtråd**)
- Tina frysta vattenrör <sup>19</sup>
  - använd reflektormunstycke J
  - värm det frysta området jämnt
  - ! **det är ofta svårt att skilja vattenrör från gasrör; gasrör är mycket farligt att värma - explosionsrisk**
- ANDRA ANVÄNDNINGSSOMRÅDEN:
  - ★ tina vattenrör av PVC (**position II, max. 60°C**)

- ★ tina frysta billås (**position II, max. 60°C**) (använd reducernustykke )
- ★ tina frysexboxar och frysskåp (**skada inte plasten**)
- ★ tina is på trappor och trottoarer
- Forma plaströr
  - använd reflektormustykke J
  - fyll røret med sand och tåta det i båda ändarna för att undvika det røret knåcks
  - värm røret jämnt genom att flytta det fram och tillbaka
- ANDRA ANVÄNDNINGSSOMRÅDEN:**
- ★ forma alla typer av plast med låg smältpunkt (polyeten, PVC etc.)
- ★ forma alla typer av plast med hög smältpunkt (akrylglas, Plexiglas etc.)
- ★ forma och böja mattplattor av syntetfiber
- ★ forma och böja trä (modellbygge)
- Svetsa plast
  - svetsfogen måste vara ren och fettfri
  - håll svetstråden intill svets sömmen och värm tills den blir klubbig
  - tag bort värmen när svetsfogen är ifylld
- ANDRA ANVÄNDNINGSSOMRÅDEN:**
- ★ reparera surfbräden, skidor och andra sportredskap av plast (använd runt mustykke H)
- ★ svetsa PVC-material
- ★ jämna ut blåsor på klistrade etiketter av PVC
- ★ ansluta trädgårdsslangar (använd reflektormustykke J)
- Torka
  - ! torka bara på låg eller medium temperaturinställning (position I eller II) och med större avstånd mellan maskinen och arbetsstycket**
  - torka färg, fernissa, gips, murbruk och pust
  - torka fuktigt trä före spackling
  - snabbtorka tjockt spackel eller lim
  - torka byggnadsfogar innan isolations- eller tätningsmaterial sprutas på
  - torka fogar och sprickor vid båtbygge
- Göra rent/desinficera
  - desinficera kaninburar, duvslag etc. (**ta ut djuren först**)
  - bekämpa myrkolonier
  - bekämpa trämask och husbock (**håll maskinen på säkert avstånd från träet**)
  - bekämpa ogräs

## UNDERHÅLL / SERVICE

- Det här verktyget är inte avsedd för yrkesmässig användning
- Använd aldrig lättantändliga vätskor för att göra ren värmepistolen, särskilt inte luftfutsläppet/mustycket
- Håll alltid din maskin och sladden ren (speciellt ventilationsöppningarna F ②)
- Om i elverktyget trots exakt tillverkning och sträng kontroll störning skulle uppstå, bör reparation utföras av auktoriserad serviceverkstad för SKIL elverktyg
  - sänd in verktyget i **odemonterat skick** tillsammans med inköpsbevis till försäljaren eller till närmaste SKIL serviceverkstad (adresser till servicestationer och sprängskisser av maskiner finns på [www.skil.com](http://www.skil.com))
- Observera att skada till följd av ovarsamhet eller överbelastning av verktyget inte täcks av garantin (för SKIL garantivillkor, gå till [www.skil.com](http://www.skil.com) eller fråga återförsäljaren)

## MILJÖ

- **Elektriska verktyg, tillbehör och förpackning får inte kastas i hushållssoporna** (gäller endast EU-länder)
  - enligt direktivet 2012/19/EG som avser äldre elektrisk och elektronisk utrustning och dess tillämpning enligt nationell lagstiftning ska uttjänta elektriska verktyg sorteras separat och lämnas till miljövänlig återvinning
  - symbolen ⑤ kommer att påminna om detta när det är tid att kassera

DK

## Varmluftspistol

8020/8040

## INLEDNING

- Dette værktøj er beregnet til fjernelse af maling, formning og svejsning af plastic, og opvarmning af varmekrymperør; værktøjet er også egnet til lodning og fortinning, løsning af klæbesamlinger og optøning af frose vandør
- Dette værktøj er ikke beregnet til professionelt brug
- Læs og gem denne betjeningsvejledning ③

## TEKNISKE DATA ①

## VÆRKTØJETS DELE ②

- A Tænd/sluk afbryder
- B Knapper til indstilling af temperaturen (8040)
- C Knapper til indstilling af luftstrøm (8040)
- D Display (LCD) (8040)
- E Udløsering til dyse
- F Ventilationshuller
- G Glasbeskyttelsesdyse
- H Runddyse
- J Reflektordyse
- K Reduktionsdyse
- L Luftudgang/dyse
- M Drejehjul (8020)
- N Knap til hukommelseslagring (8040)
- P Knap til hukommelsesvalg (8040)

## SIKKERHED

### GENERELT

- **Dette værktøj må kun bruges af børn fra 8 år samt af personer med begrænsede fysiske, sensoriske eller mentale tilstand eller manglende erfaring og kendskab, hvis det sker under opsyn, eller de modtager anvisninger på sikker omgang med værktøjet og således forstår de farer, der er forbundet hermed (i modsats**



fald er der risiko for fejlbetjening og personskader)

- **Sørg for, at børn er under opsyn** (dermed sikres det, at børn ikke leger med værktøjet)
- **Værktøjet må kun rengøres og vedligeholdes af børn, hvis de er under opsyn**

#### INDEN BRUG

- Hver gang værktøjet tages i brug, skal man kontrollere dets funktion, og i tilfælde af en fejl, skal man omgående få værktøjet repareret af en kvalificeret person; man må aldrig selv åbne værktøjet
- Inden brug skal man undersøge værktøjets ledning og stik, og hvis de er beskadigede, skal de udskiftes af en kvalificeret person
- Anvend helt udrullede og sikre forlængerledninger med en kapacitet på 16 A
- Anvend aldrig værktøjet, hvis ledningen er beskadiget. Den skal udskiftes af producenten, dennes repræsentant eller tilsvarende kvalificerede personer for at undgå farer.
- Anvend værktøjet og dets tilbehør i henhold til denne brugsanvisning og på den måde, som er beregnet for værktøjet; hvis værktøjet bruges til andre opgaver end dem, som værktøjet normalt er beregnet til at udføre, kan det medføre en farlig situation
- Kontrollér altid at forsyningsspændingen er den samme som den spænding, der er anført på værktøjets navneskilt
- Sørg for at der er slukket for værktøjet, når stikket sættes i stikkontakten

#### UNDER BRUG:

- Anvend håndtaget med forsigtighed; undgå brand og forbrændinger
  - rør ikke ved luftafgangen/dysen og den opvarmede genstand; de bliver meget varme
  - hold ikke luftafgangen/dysen for tæt ved genstanden, der skal arbejdes på
  - ret ikke den varme luftstrøm for længe mod den samme overflade
  - se aldrig ned i luftafgangen/dysen
  - brug beskyttelseshandsker og sikkerhedsbriller
  - ret aldrig luftstrømmen mod personer eller dyr
  - anvend aldrig værktøjet til at tørre hår
  - efterlad aldrig værktøjet uden opsyn
  - anvend aldrig værktøjet i nærheden af brandfarlige gasser eller brændbare materialer (**eksplosionsfar**)
  - når der arbejdes med plastic, maling, lak eller lignende materialer, kan der afgives brandfarlige og giftige gasser; man skal indhente oplysninger om de materialer, der skal arbejdes på, inden man går i gang
  - man skal tænke på, at varmen kan blive overført til brændbare materialer, selv om de ikke er ude af syne
  - for at være på den sikre side, skal man have en spand vand eller en ildslukker i nærheden, i tilfælde af at der skulle gå ild i noget
- Undgå elektriske stød
  - stik aldrig noget ned i luftafgangen/dysen
  - undgå kropskontakt med jordforbundne overflader (f.eks. rør, radiatorer, komfurer, køleskabe)
  - pas på at værktøjet ikke bliver vådt

- anvend ikke værktøjet på fugtige steder
- når værktøjet anvendes udendørs, skal det forbindes via en fejlstrømsafbryder (FI) med en triggestrøm på 30 mA maksimum, og man må kun anvende en forlængerledning, som er beregnet til udendørs brug og er udstyret med en stænkbeskyttet koblings-stikkontakt
- Ledningen skal behandles forsigtigt
  - hold altid ledningen væk fra den varme luftstrøm og luftafgangen/dysen
  - hold ledningen væk fra varme, olie og skarpe kanter
  - man må ikke bære værktøjet i ledningen og man må ikke rykke i ledningen for at tage stikket ud af stikkontakten
  - man må ikke hænge værktøjet op i ledningen
- Anvend aldrig værktøjet i forbindelse med kemiske opløsningsmidler
- Sørg for at der er god ventilation på arbejdsstedet
- Hold arbejdsstedet rent og godt oplyst
- Man skal være årvågen, holde øje med hvad man laver og bruge sin sunde fornuft; man må ikke benytte værktøjet, når man er træt
- Man skal sørge for, at man står godt og sikkert; man må ikke strække sig for langt ud, især ikke på stiger og stilladser
- Sørg for at der er slukket for værktøjet, inden det lægges væk
- I tilfælde af elektrisk eller mekanisk fejlfunktion skal afbryderen straks afbrydes og stikket tages ud af kontakten

#### EFTER BRUG:

- stil værktøjet på bagenden i lodret stilling
- Sluk værktøjet og træk stikket ud af stikkontakten
- Lad værktøjet køle ned i mindst 30 minutter, før det opbevares
- Opbevar/efterlad aldrig værktøjet udendørs
- Opbevar værktøjet på et tørt, aflåst sted, utilgængeligt for børn

#### FORKLARING TIL SYMBOLERNE PÅ VÆRKTØJET

- ③ Læs instruktionen inden brugen
- ④ Dobbelt isolering (jordforbindelse unødvendig)
- ⑤ Værktøj må ikke bortskaffes som almindeligt affald

## BETJENING

- Tænd/sluk-kontakt med temperaturindstillinger ⑥
  - ! **kontrollér om kontakten A ② er i stilling "0", før stikket sættes i stikkontakten**
  - tænd for værktøjet ved at sætte kontakten A på den ønskede stilling:
    - 8020**
    - I = 50°C, luftstrøm 350 liter/minut
    - II = 450°C, luftstrøm 350 liter/minut
    - III = 600°C, luftstrøm 500 liter/minut
    - 8040**
    - I = 50°C + luftstrøm 250-500 liter/minut
    - II = 50°C ... 650°C, luftstrøm 250-500 liter/minut
  - når værktøjet anvendes for første gang, kan der komme røg fra det; dette er normalt og vil snart ophøre
  - sluk for værktøjet ved at sætte kontakten A på stilling "0"
- Temperaturindstilling
  - ! **der er en tolerance for de angivne temperaturer**
  - 50...90°C: maks. 90°C**
  - mindre end 300°C: ± 20 %**
  - mere end 300°C: ± 10 %**

## 8020

- brug drejhjulet M til at vælge den ønskede temperaturindstilling
- brug tabellen ⑥ som reference

## 8040 ⑦

- indstil den ønskede måltemperatur i trin på 10°C ved at trykke kort på knapperne B
  - når du trykker på knapperne B øges/reduceres måltemperaturen kontinuerligt, indtil knapperne slippes, eller minimum-/maksimumtemperaturen er nået
  - når måltemperaturen er indstillet, vil skærmen D vise blinkende pile, indtil den ønskede temperatur er nået (kun i position "II")
  - måltemperaturen gemmes i værktøjets hukommelse, så det varmer op til den sidst valgte måltemperatur, hver gang der tændes for værktøjet
  - Indstilling af luftstrøm ⑧ (8040)
    - indstil den ønskede luftstrøm i trin på 50 l/min. ved at trykke kort på knapperne C
    - display D viser den aktuelle indstilling af luftstrøm i et søjlediagram
  - Hukommelsesindstilling ⑨ (8040)
    - for at vælge en af de fire gemte hukommelsesindstillinger skal du trykke på knappen P
    - for at gemme en temperatur- og luftgennemstrømningsindstilling skal du trykke på knappen P for at vælge en hukommelsesplacering; indstil den ønskede temperatur og luftgennemstrømning, og tryk på knappen N og hold den nede for at gemme indstillingen
  - Generel brug
    - afgør den rigtige temperatur ved at prøve at bruge værktøjet på et sted på arbejdsområdet, der ikke er så vigtigt; begynd med en lav temperaturindstilling
    - temperaturen falder, når afstanden mellem luftafgangen/dysen og arbejdsområdet øges
    - den nødvendige temperatur afhænger af det materiale, der skal arbejdes på
  - Stationær brug ⑩
    - stil værktøjet på bagenden i lodret stilling
    - sørg for at overfladen er ren og støvfri; forurenede luft beskadiger motoren
    - man skal sørge for at luftstrømmen er rettet væk fra en fastgør ledningen for at undgå, at værktøjet trækkes ned
    - rør ikke ved luftafgangen/dysen
    - sørg for at intet falder ned i luftafgangen/dysen
    - hold omhyggeligt fast i værktøjet med den ene hånd, mens der slukkes for det med den anden og lad det stå afkøle
  - Håndtering og styring af værktøjet ⑪
    - hold værktøjet med den ene hånd
    - hold ventilationshullerne F ② utiltdækkede
  - Standard tilbehør ⑫
    - glasbeskyttelsesdysse G (til afbøjning af luftstrøm)
    - rund dysse H (til at koncentrere luftstrømmen)
    - reflektordysse J (til at reflektere luftstrømmen)
    - reduktionsdysse K (til at koncentrere luftstrømmen)
- OSB:**
- alle eksempler på anvendelse (**undtagen fjernelse af maling fra vinduer**) kan udføres uden tilbehør; hvis det korrekte tilbehør anvendes, bliver arbejdet dog lettere og det forbedrer betydeligt kvaliteten af resultaterne

- dette værktøj kan også bruges sammen med almindeligt tilgængeligt tilbehør til varmegestiver
- Montering/afmontering af tilbehør
  - sæt blot tilbehøret på luftafgangen L ⑬
  - tilbehøret fjernes ved at trække det af, efter det er afkølet
- ! **sæt kun et tilbehør på, når luftafgangen er kold, når kontakten er i stilling "0" og stikket er taget ud af stikkontakten**
- brug udløseringen til dysen E, så det er nemt at tage de varme dyser af ⑭
- Konstant varmekontrol (overbelastningssikring) Beskytter varmelegemet mod beskadigelse, når værktøjet overbelastes, uden det er nødvendigt at standse det og/eller lade det afkøle et stykke tid
  - når temperaturen bliver for høj, afbrydes varmelegemet automatisk, mens motoren fortsat virker og producerer kold luft
  - når temperaturen er faldet tilstrækkeligt (hvilket kun tager et par sekunder), tændes varmelegemet automatisk
- ! **når værktøjet bliver slukket efter at have arbejdet ved en høj temperaturindstilling, og bliver tændt igen efter en kort pause, kan det tage et stykke tid, før varmelegemet når den ønskede temperatur**

## GODE RÅD

- Fjernelse af maling/lak ⑬
  - anvend en ren, skarp skraber
  - skrab godt til, når malingen bliver blød
  - man skal prøve sig frem for at finde ud af, hvor længe varmen skal påføres for at opnå det optimale resultat
  - skrab den blødgjorte maling omgående, ellers vil den blive hård igen
  - hold en 30° til 40° vinkel mellem værktøjet og arbejdsområdet
  - fjern maling og rester omgående fra skraberens for at undgå, at de antændes
  - skrab med træets årer, hvor det er muligt
  - ret ikke den varme luftstrøm for længe mod den samme overflade
  - bortskaf alle malingsrester på en forsvarlig måde
  - rengør arbejdsområdet grundigt, når arbejdet er færdigt
- ! **vær forsigtig, når der fjernes flere lag maling i gamle bygninger; før i tiden kan der være blevet anvendt blyholdig maling, som er meget giftig**
- ! **udsættelse for selv lave niveauer af bly kan medføre alvorlige hjerne- og nerveskader; det er især farligt for småbørn og ufødte børn**
- ! **man skal få blybaseret maling fjernet af en fagmand uden brug af en varmluftpistol**
- ANDRE EKSEMPLER PÅ ANVENDELSE:
  - ★ fjernelse af (syntetiske) vægbeklædninger
- Fjernelse af maling/lak fra vinduer ⑭
  - anvend **altid** glasbeskyttelsesdysen G, når der arbejdes i nærheden af glas
  - fjern malingen med en spartel
- ! **anvend ikke værktøjet til at fjerne maling fra vinduer med metalrammer; metal er varmeledende, hvilket kan medføre, at glasset går i stykker**
- Fjernelse af mærkater/stickers (brug runddysen H) ⑮
  - mange klæbemidler bliver blødere, når de opvarmes,

så de klæbende flader kan skilles ad og det overflødige klæbemiddel fjernes

- ! **opvarm mærkaten på oversiden**
- ! **pas altid på, ikke at overophede den underliggende flade**

ANDRE EKSEMPLER PÅ ANVENDELSE:

- ★ fjernelse af linoleum og vinylbelægninger
- ★ fjernelse af tæppefliser fremstillet af syntetiske fibre
- ★ fjernelse af finér/påsætning af finerstrimler
- ★ blodgørelse/smeltning af tjære, tin, asfalt, voks (brug runddysen H)
- ★ påføring af voks (ski, møbler) (brug glasbeskyttelsesdysen G) <sup>(16)</sup>
- ★ fjernelse af harpiks
- ★ løsning af fastrustedefor stærkt strammede metalskruer, møtrikker og bolte
- ★ fjernelse af stearin (**opvarm ikke den underliggende overflade for meget**)
- ★ reparation af brækkede stearinlys/udretning af bøjede stearinlys, så de får deres oprindelige facon igen
- Krympepasning <sup>(17)</sup>
  - brug reflektordysen J eller reduktionsdysen K
  - vælg et krympepasningsrør med en diameter, der svarer til arbejdsområdet
  - opvarm krympepasningsrøret jævnt
- ANDRE EKSEMPLER PÅ ANVENDELSE:
  - ★ pakning i tætsluttende plastfolie
- Lodning af vandrør <sup>(18)</sup>

Dette værktøj er mest egnet til at arbejde med blødt loddemetal (smeltepunkt under 400°)

  - brug reflektordysen J
  - rens begge samplingsflader grundigt før lodning
  - forvarm begge sektioner og påfør loddestråd (**anvend ikke blybaseret loddestråd**)
- Optøning af frosne vandrør <sup>(19)</sup>
  - brug reflektordysen J
  - opvarm det frosne område jævnt
- ! **vandrør er ofte vanskelige at skelne fra gasrør; det er meget farligt at opvarme gasrør - risiko for eksplosion**
- ANDRE EKSEMPLER PÅ ANVENDELSE:
  - ★ optøning af frosne vandrør fremstillet af PVC (**position II, maks. 60°C**)
  - ★ optøning af frosne billåse (**position II, maks. 60°C**) (brug reduktionsdysen)
  - ★ afisning af fryserer (**pas på ikke at beskadige plastichuset**)
  - ★ optøning af islagte trin og fortove
- Formning af plasticrør
  - brug reflektordysen J
  - fyld røret med sand og luk det i begge ender før at undgå, at røret bliver bøjet
  - opvarm røret jævnt ved at føre værktøjet fra side til side
- ANDRE EKSEMPLER PÅ ANVENDELSE:
  - ★ formning af alle plasticstoffer med lavt smeltepunkt (polyætylen, PVC mv.)
  - ★ formning af alle plasticstoffer med højt smeltepunkt (acrylglas, Plexiglas mv.)
  - ★ formning og bøjning af tæppefliser fremstillet af syntetiske fibre
  - ★ formning og bøjning af træ (modelbygning)
- Svejsning af plasticstoffer
  - svejsesømmen skal være ren og fedtfri

- hold svejsestangen tæt ved svejseømmen og påfør varme, indtil svejsestangen bliver klæbrig
  - fjern varmen, når svejseømmen er fyldt op
- ANDRE EKSEMPLER PÅ ANVENDELSE:
- ★ reparation af surfbretter, ski og andre syntetiske sportsartikler (brug runddysen H)
  - ★ svejsning af PVC-materialer
  - ★ udglatning af blærer efter påsætning af PVC-mærkater
  - ★ forbindelse af haveslanger (brug reflektordysen J)
  - Tørring
    - ! **tør kun på en lav eller mellem temperaturindstilling (position I eller II) og med et øget afstand mellem værktøj og arbejdsområde**
    - tørring af maling, lak, gips, mørtel og puds
    - tørring af vådt træ inden fyldning
    - hurtig tørring af tykt påført fyldmasse eller klæbemiddel
    - tørring af bygningssamlinger før påsprøjtning af isolering eller tætningsmasse
    - tørring af samlinger og revner ved bådebygning
  - Rengøring/desinficering
    - desinficering af kaninbure, dueslag mv. (**tag først dyret ud**)
    - bekæmpelse af myrekolonier
    - bekæmpelse af træorm og borebiller (**hold værktøjet i tilstrækkelig afstand fra træet**)
    - fjernelse af ukrudt

## VEDLIGEHOLDELSE/SERVICE

- Dette værktøj er ikke beregnet til professionelt brug
- Anvend aldrig brandfarlige væsker til generel rengøring af varmluftpistolen og især luftafgangen/dysen
- Hold værktøjet og ledningen ren (især ventilationshullerne F <sup>(2)</sup>)
- Skulle elværktøjet trods omhyggelig fabrikation og kontrol skulle holde op med at fungere, skal reparationen udføres af et autoriseret serviceværksted for SKIL-elektroværktøj - send det **ikke adskilte** værktøj sammen med et købsbevis til forhandleren eller nærmeste SKIL-serviceværksted (adresser og reservedelstegning af værktøjet findes på [www.skil.com](http://www.skil.com))
- Husk, at beskadigelse som følge af overbelastning eller forkert håndtering af værktøjet ikke er omfattet af garantien (se [www.skil.com](http://www.skil.com) vedrørende SKIL-garantibetingelserne, eller spørg din forhandler)

## MILJØ

- **Elværktøj, tilbehør og emballage må ikke bortskaffes som almindeligt affald** (kun for EU-lande)
  - i henhold til det europæiske direktiv 2012/19/EF om bortskaffelse af elektriske og elektroniske produkter og gældende national lovgivning, skal brugt elværktøj indsamles separat og bortskaffes på en måde, der skåner miljøet mest muligt
  - symbolet <sup>(5)</sup> erindrer dig om dette, når udskiftning er nødvendig

N

## Varmepistol

8020/8040

## INTRODUKSJON

- Dette verktøyet er beregnet for fjerning av maling, formning og sveising av plast, og oppvarming av rør for

varme-krymping; verktøyet er også egnet for sveising, fortinning, løsning av limskjøter og tining av vannrør

- Dette verktøyet er ikke beregnet på profesjonell bruk
- Les og ta vare på denne brukerveiledningen ③

## TEKNISKE DATA ①

## VERKTØYELEMENTER ②

- A Av/på bryter
- B Knapper for innstilling av temperatur (8040)
- C Knapper for innstilling av luftstrøm (8040)
- D Skjerm (LCD) (8040)
- E Dyseutløsering
- F Ventilasjonsåpninger
- G Glassbeskyttelsesdyse
- H Rund dyse
- J Reflektordyse
- K Reduksjonsdyse
- L Luftutblåsning/dyse
- M Skruhjul (8020)
- N Knapp til å lagre i minnet (8040)
- P Knapp til å velge fra minnet (8040)

## SIKKERHET

### GENERELL

- **Dette verktøyet kan brukes av barn fra 8 år og oppover og personer med reduserte fysiske eller sansemessige evner eller manglende erfaring og kunnskap hvis bruken skjer under tilsyn av en person som er ansvarlig for sikkerheten, eller vedkommende har fått opplæring i sikker bruk av verktøyet, og forstår farene som er forbundet med bruken (ellers er det fare for feilbetjening og personskader)**
- **Barn må være under oppsyn (slik kan du sørge for at barn ikke leker med verktøyet)**
- **Barn må ikke rengjøre og vedlikeholde verktøyet uten oppsyn**

### FØR BRUK:

- Sjekk at verktøyet er i funksjonell stand før det tas i bruk; hvis verktøyet er defekt, skal det alltid repareres av fagfolk; du må aldri åpne verktøyet selv
- Kontroller elektrisk ledning og støpsel hver gang for verktøyet tas i bruk; hvis disse er skadd, skal de skiftes ut av fagfolk

- Bruk helt utrullet og sikker skjøteledning med en kapasitet på 16 A
- Verktøyet skal aldri brukes hvis ledningen er skadet. Det må byttes ut av produsenten, dens serviceagent eller tilsvarende kvalifisert fagmann for å unngå farer.
- Verktøyet og tilbehøret skal brukes i henhold til veiledningen og bruksområdet som verktøyet og tilbehøret er beregnet på; hvis verktøyet brukes til formål det ikke er beregnet på, kan det oppstå farer
- Sjekk alltid at tilført spenningen er den samme som oppgitt på verktøyet merkeplate
- Forsikre deg om at verktøyet er slått av når støpselet settes inn

### BRUK:

- Verktøyet skal håndteres forsiktig; unngå brann og forbrenninger
  - luftutblåsingen/dysen og arbeidsstykket som oppvarmes må ikke berøres da disse blir ekstra varme
  - luftutblåsingen/dysen må ikke holdes for nær til arbeidsstykket
  - den varme luftstrømmen må ikke rettes mot den samme overflaten for lenge
  - du må aldri se inn i luftutblåsingen/dysen
  - ha på deg vernehansker og beskyttelsesbriller
  - den varme luftstrømmen fra verktøyet må aldri rettes mot personer eller dyr
  - verktøyet må ikke brukes til hårtørring
  - legg ikke verktøyet fra deg hvor du ikke har tilsyn med det
  - la ikke verktøyet bli liggende i nærheten av brennbare gasser eller antennelige materialer (**fare for eksplosjon**)
  - når det arbeides med plast, maling, lakk og lignende materialer, kan det oppstå brennbare og giftige gasser; gjør deg kjent med materialene på forhånd som du skal arbeide med
  - husk alltid på at varmen kan overføres til antennelige materialer utenfor synsfeltet ditt
  - for å være på den sikre siden, sørg for at du har en beholder med vann eller brannsløkker tilgjengelig i tilfelle materialer skulle ta fyr
- Unngå elektrisk støt
  - du må aldri stikke gjenstander inn i luftutblåsingen/dysen
  - unngå kroppskontakt med overflater som er jordet (f.eks. rør, radiatorer, ovner, kjøleskap)
  - pass på at verktøyet ikke blir vått
  - verktøyet må ikke brukes på fuktige steder
  - når verktøyet skal brukes utendørs, må det koples til en feilstømbryter (FI) feilstømbryter som vil kople ut på 30 mA maksimum; det skal også bare brukes skjøteledninger som er beregnet for bruk utendørs og som er utstyrt med sprutsikker stikkontakt
- Håndter strømledningen forsiktig
  - strømledningen må alltid holdes unna den varme luftstrømmen og luftutblåsingen/dysen
  - hold strømledningen unna varme, olje og skarpe kanter
  - verktøyet må ikke bæres etter strømledningen; du må heller ikke rykke i ledningen for å dra støpselet ut av kontakten
  - la ikke verktøyet henge etter strømledningen
- Verktøyet må aldri brukes sammen med kjemiske løsemidler

- Forsikre deg om at arbeidsområdet har tilstrekkelig ventilasjon
- Hold arbeidsområdet rent og sørg for god belysning
- Vær på vakt; pass hele tiden på hvordan verktøyet brukes og vær fornuftig - ikke bruk verktøyet når du er trett og sliten
- Sørg for at du står støtt og ikke må strekke deg, spesielt når du står i en stige eller trapp
- Forsikre deg om at verktøyet er slått av før du legger det fra deg
- I tilfelle en elektrisk eller mekanisk svikt, skal verktøyet med en gang slås av og støpslet trekkes ut

#### ETTER BRUK:

- sett verktøyet ned på enden bak i rett stilling (på høykant)
- Slå av verktøyet og trekk støpslet ut av kontakten
- La verktøyet avkjøles i minst 30 minutter før det lagres
- Ikke lagre/etterlat verktøyet utendørs
- Verktøyet skal oppbevares på et tørt sted hvor det er låst inne og er utilgjengelig for barn

#### FORKLARING AV SYMBOLER PÅ VERKTØY

- ③ Les instruksjonsboken før bruk
- ④ Dobbelisolert (ikke nødvendig med jordingsleder)
- ⑤ Kast aldri verktøy i husholdningsavfallet

## BRUK

- Av/på-bryter med temperaturinnstillinger ⑥
- ! **kontroll at bryter A ② er i stilling "0" før støpselet sett inn**
- slå på verktøyet ved å skyve bryteren A til ønsket stilling:
  - 8020**
  - I = 50°C, luftstrøm på 350 liter/minuttet
  - II = 450°C, luftstrøm på 350 liter/minuttet
  - III = 600°C, luftstrøm på 500 liter/minuttet
- 8040**
- I = 50°C + luftstrøm på 250-500 liter/minuttet
- II = 50°C ... 650°C, luftstrøm på 250-500 liter/minuttet
- når verktøyet brukes for første gang, er det mulig at det utvikler seg noe røyk; dette er normalt og vil stoppe etter en kort stund
- slå verktøyet av ved å skyve bryteren A i stilling "0"
- Temperaturinnstilling
- ! **det er toleranse på de angitte temperaturer**
- 50...90 °C: maks 90 °C**
- mindre enn 300 °C: ±20 %**
- mer enn 300 °C: ±10 %**
- 8020**
- bruk skruhjulet M for å velge den ønskede temperaturinnstillingen
- bruk tabellen ⑥ for referanse
- 8040 ⑦**
- still inn ønsket måltemperatur i trinn på 10°C ved å trykke kort på knappene B
- hvis du trykker og holder inne knappene B vil måltemperaturen øke/minke kontinuerlig inntil knappen slippes opp eller minimum/maksimum temperatur er nådd
- etter måltemperaturen er stilt inn, viser displayet D blinkende piler til den ønskede temperaturen er nådd (bare i posisjon «I»)
- måltemperaturen vil bli lagret i verktøyet minne slik at verktøyet varmer seg opp til sist valgte måltemperatur hver gang det blir slått på

- Luftstrømminnstilling ⑧ (8040)
  - still inn ønsket luftstrøm i trinn på 50 l/min ved å trykke kort på knappene C
  - displayet D viser den aktuelle luftstrømminstillingen i et søylediagram
- Minneinnstilling ⑨ (8040)
  - for å velge ett av de fire minneinnstillinger, trykk på knappen P
  - for å lagre innstillingene for temperaturen og luftflyten, trykk på knappen P for å velge et minnested, still inn den ønskede temperaturen og luftflyten og trykk på og hold nede N-knappen for å lagre innstillingen
- Generell bruk
  - bestem riktig temperatur ved å teste på en lite viktig del av arbeidsstykket; begynn på en lav temperaturinnstilling
  - temperaturen synker etter hvert som avstanden økes mellom luftutblåsing/dysen og arbeidsstykket
  - arbeidstemperaturen avhenger av materialet i arbeidsstykket
- Stasjonær bruk ⑩
  - sett verktøyet ned på enden bak i rett stilling (på høykant)
  - forsikre deg om at overflaten er ren og støvfri; forurenset luft vil ødelegge motoren
  - pass på at luftstrømmen er rettet bort fra deg
  - sett strømledningen fast slik at verktøyet ikke kan rives ned
  - luftutblåsing/dysen må ikke røres
  - pass på at ikke gjenstander faller ned i luftutblåsing/dysen
  - hold verktøyet godt med én hånd mens du slår det av med den andre; la verktøyet bli avdøkket
- Grep og styring av verktøyet ⑪
  - hold verktøyet med én hånd
  - hold ventilasjonsåpningen F ② utildekket
- Standard tilbehør ⑫
  - beskyttelsesdysse for glass G (for å avlede luftstrøm)
  - rund dysse H (for konsentrert luftflyt)
  - reflektordysse J (for refleksjon av luftstrøm)
  - reduksjonsdysse K (for konsentrert luftstrøm)
- MERKNADER:**
  - alle eksempler på bruksområder (**bortsett fra fjerning av maling fra vinduer**) kan utføres uten tilbehør; bruk av hensiktsmessig tilbehør vil imidlertid forenkle arbeidet og forbedre kvaliteten betraktelig
  - dette verktøyet kan også brukes sammen med vanlig tilbehør for varmepistoler
- Montering/demontering av tilbehør
  - tilbehøret er lett å montere på luftutblåsing L ②
  - demontering av tilbehøret skjer ved å trekke det av frontenden etter avkjøling
- ! **tilbehør skal bare monteres når luftutblåsing er kald og når bryteren er i stilling "0", og støpselet trukket ut av kontakten**
  - bruk dysetiløseringen E for enkelt fjerning av varme dyser ⑫
- Konstant varmekontroll (overlastvern)
  - Beskytter varmeelement mot skade når verktøyet overbelastes uten å stoppe verktøyet og/eller la det avkjøles i en periode
  - når temperaturen blir for høy, vil varmeelementet slå seg av mens motoren fortsetter å være i gang og blåse kald luft

- når temperaturen har gått tilstrekkelig ned (dette tar bare noen få sekunder), vil varmeelementet automatisk slå seg på igjen

**! når du slår av verktøyet etter å ha arbeidet med en høy temperaturinnstilling og slår det på igjen etter en kort pause, kan det ta litt tid før varmeelementet når ønsket temperatur**

## BRUKER TIPS

- Fjerning av maling/lakk <sup>(13)</sup>
  - bruk en ren og skarp skrape
  - skrap med jevne, fast tak når malingen mykner
  - eksperimenter for å fastslå hvor lang tid det er nødvendig å varme opp for best resultat
  - skrap av den myke malingen med en gang før den blir hard igjen
  - hold verktøyet i en vinkel på 30° til 40° i forhold til overflaten på arbeidsstykket
  - maling og avfall skal fjernes fra skrapen med en gang for å unngå antennelse
  - skrap i samme retning som veden hvor dette er mulig
  - den varme luftstrømmen må ikke rettes mot den samme overflaten for lenge
  - alt malingsavfall skal deponeres trygt og sikkert
  - arbeidsområdet skal gjøres godt rent etter ferdig arbeid
- ! vær forsiktig når det fjernes maling på gamle bygninger, da de tidligere kan ha vært malt med blymaling som er ekstra giftig**
- ! selv om du utsetter deg selv for lave blynivåer, kan dette forårsake alvorlig skade på hjernen og nervesystem; småbarn og foster er spesielt utsatt**
- ! blymaling skal fjernes av fagfolk uten bruk av varmpistol**

ANDRE BRUKSEKSEMPLER:

- ★ fjerning av (syntetisk) tapet
- Fjerning av maling/lakk på vindusrammer <sup>(14)</sup>
  - bruk **alltid** beskyttelsesdyse for glass G når det arbeides ved siden av glass
  - malingen skal fjernes med håndskrape
- ! verktøyet må ikke brukes til fjerning av maling på vindusrammer av metall, da metall er varmeledende og kan ødelegge vindusglasset**
- Fjerning av klebemerker (bruk rund dyse H) <sup>(15)</sup>
  - mange limtyper blir myke under oppvarming som gjør at limet vil separere, og gjenværende lim kan fjernes
- ! klebemerket skal varmes på oversiden**
- ! vær alltid forsiktig slik at underliggende overflate ikke oppvarmes for mye**

ANDRE BRUKSEKSEMPLER:

- ★ fjerning av linoleum og gulvbelegg av vinyl
- ★ fjerning av gulvfliser av syntetisk fiber
- ★ fjerning av finér/festing av finérlister
- ★ opprøyking/smeltning av tjære, tinn, asfalt, voks (bruk rund dyse H)
- ★ voksing (ski, møbler) (bruk beskyttelsesdyse for glass G) <sup>(16)</sup>
- ★ fjerning av harpiks
- ★ løse rustne/for hardt tilskrudde metallskruer, mutrer og bolter
- ★ fjerning av stearin (**underlaget må ikke varmes opp for mye**)
- ★ reparasjon av ødelagte stearinlys/retting av bøyde stearinlys til opprinnelig form

- Montering ved krymping <sup>(17)</sup>
  - bruk reflektordyse J eller reduksjonsdyse K
  - velg rør for varme-krymping med en diameter som passer til arbeidsstykket
  - røret for varmekrymping skal varmes opp jevnt rundt hele overflaten
- ANDRE BRUKSEKSEMPLER:
  - ★ krympeinnpakning
- Sveising av vannrør <sup>(18)</sup>
  - Verktøyet passer best for arbeid med myke sveisetråder (smeltepunkt under 400°)
  - bruk reflektordyse J
  - overflater som skal skjøtes må gjøres godt rene før sveising
  - begge overflatene skal varmes opp på forhånd før bruk av sveisetråd (**blysvetsetråd må ikke brukes**)
- Tining av frosne vannrør <sup>(19)</sup>
  - bruk reflektordyse J
  - varm opp området jevnt
  - ! vannrør er ofte vanskelige å skjelne fra gassrør; oppvarming av gassrør er meget farlig da dette kan føre til eksplosjon**
- ANDRE BRUKSEKSEMPLER:
  - ★ tining av vannrør laget av PVC (innstilling II, maks. 60°C)
  - ★ tining av frosne dørlåser på biler (innstilling II, maks. 60°C) (bruk reduksjonsdyse)
  - ★ tining av fryserer (**vær forsiktig ikke å ødelegge plastkledningen innvendig**)
  - ★ tining av isbelagte trapper og fortau
- Forming av plastrør
  - bruk reflektordyse J
  - fyll røret med sand og tett det i begge ender for at røret ikke skal bøye seg
  - røret skal varmes opp jevnt ved å bevege det frem og tilbake
- ANDRE BRUKSEKSEMPLER:
  - ★ forming av plast med lavt smeltepunkt (polyetylen, PVC, osv.)
  - ★ forming av alle plastmaterialer med høyt smeltepunkt (akryl-glass, plexiglass, osv.)
  - ★ forming og bøyning av gulvfliser med syntetisk fiber
  - ★ forming og bøyning av tre (modellbygging)
- Sveising av plast
  - sveisesømmen må være ren og fri for fett
  - hold sveisetråden nær sømmen og varm den opp til sveisetråden blir klebrig
  - ta varmen bort fra overflaten når sveisesømmen er fylt
- ANDRE BRUKSEKSEMPLER:
  - ★ reparasjon av surfebrett, ski og annet syntetisk sportsutstyr (bruk rund dyse H)
  - ★ sveising av PVC-materialer
  - ★ glatting av blemmer etter festing av PVC klebemerker
  - ★ kopling av hageslanger (bruk reflektordyse J)
- Tøking
  - ! tøking skal bare foregå på lav eller medium temperaturinnstilling (stilling I eller II) og med økt avstand mellom verktøyet og arbeidsstykket**
  - tøking av maling, lakk, gips og sementpuss
  - tøking av tre før fylling med fyllstoff
  - hurtigtøking av tykke lag med fyllstoff eller klebemiddel/lim
  - tøking av skjøter i bygninger før sprøyting med isolasjons- eller tetningsmiddel

- tørking av skjøter og sprekker i båtbygging
- Rengjøring/desinfeksjon
  - desinfisering av kaninbur, dueslag, osv. (**ta dyret ut først**)
  - fjerning av maurkolonier
  - fjerning av tremark og biller (**hold verktøyet på tilstrekkelig avstand fra treet**)
  - fjerning av ugress

## VEDLIKEHOLD / SERVICE

- Dette verktøyet er ikke beregnet på profesjonell bruk
- Det må aldri brukes lettantennelige væsker til generell rengjøring av varmepistolen og spesielt ikke i luftutblåsing/dysen
- Hold alltid verktøyet og kabelen ren (spesielt ventilasjonshullene F ②)
- Hvis elektroverktøyet til tross for omhyggelige produksjons- og kontrollmetoder en gang skulle svikte, må reparasjonen utføres av et autorisert serviceverksted for SKIL-elektroverktøy
  - send verktøyet i **montert** tilstand sammen med kjøpebevis til forhandleren eller nærmeste SKIL servicesenter (adresser liksom service diagram av verktøyet finner du på [www.skil.com](http://www.skil.com))
- Vær klar over at skade som skyldes overbelastning eller feilbehandling av verktøyet ikke dekkes av garantien (for SKIL garantibetingelser se [www.skil.com](http://www.skil.com) eller spør din forhandler)

## MILJØ

- **Kast aldri elektroverktøy, tilbehør og emballasje i husholdningsavfallet** (kun for EU-land)
  - i henhold til EU-direktiv 2012/19/EF om kasserte elektriske og elektroniske produkter og direktivets iverksetting i nasjonal rett, må elektroverktøy som ikke lenger skal brukes, samles separat og returneres til et miljøvennlig gjenvinningsanlegg
  - symbolet ⑤ er påtrykt som en påminnelse når utskifting er nødvendig

FIN

**Løpøpistooli 8020/8040**

## ESITTELY

- Koneet on tarkoitettu maalin poistamiseen, muovin muotoiluun ja hitsaukseen ja lämpö-kutisteisen putkiston lämmittämiseen; työkalu sopii myös juottamiseen ja tinaukseen, liitoskohtien löysentämiseen ja vesiputkien sulattamiseen
- Tätä työkalua ei ole tarkoitettu ammattikäyttöön
- Lue ja säilytä tämä ohjekirja ③

## TEKNISET TIEDOT ①

### LAITTEEN OSAT ②

- A Virtakytin
- B Painikkeet lämpötilan asetusta varten (8040)
- C Ilmavirtauksen säätöpainikkeet (8040)
- D Näyttö (LCD) (8040)
- E Suuttimen irrotusrengas

- F Ilmanvaihto-aukot
- G Lasinsuojaussuutin
- H Pyöreä suutin
- J Heijastinsuutin
- K Kavnussuutin
- L ilmareikä/suutin
- M Valintapyörä (8020)
- N Muistiintalennuspainike (8040)
- P Muistinvalintapainike (8040)

## TURVALLISUUS

### YLEISTÄ

- **Lapset 8-vuotiaat ja sitä vanhemmat ja henkilöt, jotka rajoitteisten fyysisten, aistillisten tai henkisten kykyjensä, kokemattomuutensa tai tietämättömyytensä takia eivät turvallisesti voi käyttää työkalun, eivät saa käyttää sitä ilman vastuullisen henkilön valvontaa tai neuvontaa** (muutoin syntyy virheellisen käytön ja onnettomuuksien vaara)
- **Pidä lapsia silmällä** (täten varmistat, että lapset eivät leiki työkalun kanssa)
- **Lapset eivät saa puhdistaa tai huoltaa työkalun ilman valvontaa**

### ENNEN KÄYTTÖÄ:

- Tarkista työkalun toiminta aina ennen sen käyttöä ja mahdollisen vian löytyessä anna se välittömästi ammattitaitoisen henkilön korjattavaksi; älä koskaan itse avaa työkalua
- Tarkasta työkalun johto ja kosketin ennen kutakin käyttökertaa ja, jos löytyy vaurio, anna se ammattitaitoisen henkilön korjattavaksi
- Käytä täysin rullaamattomia ja turvallisia jatkejohtoja, joiden kapasiteetti on 16 ampeeria
- Älä käytä työkalua, jonka johto on vioittunut; johto on vaihdettava jälleenmyyjällä, jälleenmyyjän huoltoedustajalla tai vastaavan pätevyuden omaavalla henkilöllä vaaratilanteiden välttämiseksi.
- Käytä työkalua ja sen tarvikkeita tämän opasmanuaalin antamien ohjeiden mukaisesti ja tavalla, jolla työkalu on tarkoitettu käytettäväksi; jos työkalua käytetään toimintoihin, jotka poikkeavat työkalun normaalista käyttötavasta, seurausena voi olla vaarallinen tilanne
- Tarkista aina, että syöttöjännite on sama kuin työkalun nimiltaan osoittama jännite
- Varmista, että työkalun toiminta on katkaistu sen kosketin liitettäessä pistorasiaan

## KÄYTÖN AIKANA:

- Käsittele työkalua varoen tulipalo- ja palohaavariskien estämiseksi
  - älä kosketa ilmareikää/suutinta tai kuumennettavia kohteita; he tulevat hyvin kuumiksi
  - älä pidä ilmareikää/suutinta liian lähellä työskentelyn kohdetta
  - älä kohdista kuumaa ilmavirtaa liian kauan aikaa samaa pintaa kohti
  - älä koskaan katso alas ilmareikään/suuttimeen
  - käytä suojakäsineitä ja suojalaseja
  - älä koskaan suunnista kuumaa ilmavirtaa ihmisiä tai eläimiä kohti
  - älä käytä työkalua hiusten kuivaamiseen
  - älä jätä työkalua ilman valvontaa
  - älä koskaan käytä työkalua syttyvien kaasujen tai räjähdysarjokien materiaalien lähellä (**räjähdyksivaara**)
  - työskentellessä muovin, maalin, lakkan ja muiden samantyyppisten materiaalien parissa voi kehittyä syttyviä ja myrkyllisiä kaasuja; ota etukäteen selvää työskentelyn parissa käytettävistä materiaaleista
  - ota huomioon, että lämpö voi välittyä näkökentän ulkopuolella oleviin räjähdysarjokoihin materiaaleihin
  - turvavarotoimena pidä käsillä ympärillinen vettä tai tulensammutin materiaalla käytettäväksi ja varustettu roiskevedenpitävällä kytkentäliittimellä
- Estä mahdollinen sähköiskuriski
  - älä koskaa työnä mitään ilmareikään/suuttimeen
  - vältä kehon kosketusta maadoitettuihin pintoihin (esim. putket, jäähdyttimet, toiminta-alueet, jäähdytyskoneet)
  - varmista, että työkalu ei pääse kastumaan
  - älä käytä työkalua kosteilla paikoilla
  - ulkotilassa käytettäessä liitä työkalu vikavirran (FI) piirikatkaisimen kautta laukaisuvirtaan, jonka maksimi on 30 mA ka; käytä vain sellaista jatkojohtoa, joka on tarkoitettu ulkotilassa käytettäväksi ja varustettu roiskevedenpitävällä kytkentäliittimellä
- Käsittele johtoa varoen
  - pidä johto aina poissa kuumailmavirrasta ja ilmareiästä/suuttimesta
  - pidä johto poissa lämpölähteiden, öljyn ja terävien reunojen läheltä
  - älä kanna työkalua sen johdosta äläkä irrota työkalua koskettimesta sen johdosta vetämällä
  - älä riiputa työkalua sen johdosta
- Älä koskaan käytä työkalua kemiallisten liuosten yhteydessä
- Varmista, että työskentelyalueella on kunnollinen tuuletus
- Pidä työskentelyalue puhtaana ja hyvin valaistuna
- Pysy valppaana; tarkkaile toimiasi, käytä järjeäsi äläkä käytä työkalua, jos olet väsynyt
- Asettaudu tukevaan asentoon; älä kurottele varsinkaan tikapuilla ja lavoilla
- Varmista, että työkalun toiminta on katkaistu ennen sen asettamista sivuun
- Jos huomaat sähköisen tai mekaanisen vian, sammuta kone heti ja irrota liitosjohto pistorasiasta

## KÄYTÖN JÄLKEEN:

- aseta työkalu sen takaosan varaan pystyasentoon
- Sammuta kone ja irrota pistoke pistorasiasta
- Anna työkalun viiletä vähintään 30 minuutin ajan ennen sen asettamista sen säilytyspaikkaan
- Älä säilytä/jätä työkalua ulkotilassa
- Säilytä työkalu kuivassa ja lukitussa paikassa lasten ulottumattomissa

## TYÖKALUN SYMBOLIEN SELITYKSET

- ③ Lue käyttöohjeet ennen käyttöä
- ④ Kaksoiseristys (ei tarvita maajohtoa)
- ⑤ Älä hävitä konettasi tavallisen kotitalousjätteen mukana

## KÄYTTÖ

- Lampötila-asetuksella varustettu kytkin ⑥
  - ! tarkista, että kytkin A ② on asennossa "0" ennen koskettimien liittämistä pistorasiassa
  - kytke työkalu painamalla kytkin A haluttuun asentoon:  
**8020**  
I = 50°C, ilmavirta 350 litraa/minuutissa  
II = 450°C, ilmavirta 350 litraa/minuutissa  
III = 600°C, ilmavirta 500 litraa/minuutissa  
**8040**  
I = 50°C + ilmavirta 250-500 litraa/minuutissa  
II = 50°C ... 650°C, ilmavirta 250-500 litraa/minuutissa
  - työkalua ensimmäistä kertaa käytettäessä siitä voi nousta hivnen savua; tämä on normaalia ja lakkaa pian
  - katkaise työkalun toiminta työntämällä kytkin A asentoon "0"
- Lämpötila-asetus
  - ! näytettävälle lämpötiloille on olemassa toleranssi  
**50...90 °C: enintään 90 °C**  
**alle 300 °C: ±20 %**  
**yli 300 °C: ±10 %**  
**8020**
    - käytä valintapyörää M halutun lämpötila-asetuksen valitsemiseen
    - käytä taulukkoa ⑥ viitteenä
  - 8040** ⑦
    - aseta haluttu tavoitelämpötila 10°C:n välein painamalla lyhyesti painikkeita B
    - painikkeiden B jatkuva painaminen pienentää/kasvattaa tavoitelämpötilaa jatkuvasti, kunnes painikkeet vapautetaan tai saavutetaan minimi-/maksimilämpötila
    - kun tavoitelämpötila on asetettu, näytöllä D näkyvät vilkkuvat nuolet, kunnes haluttu lämpötila on saavutettu (vain asennossa "II")
    - tavoitelämpötila tallentuu työkalun muistiin, joten jokaisen kytkennän jälkeen työkalu lämpiiä viimeksi valittuun tavoitelämpötilaan
- Ilmavirtauksen säätäminen ⑧ (8040)
  - aseta haluttu ilmavirtaus 50 l/min välein painamalla lyhyesti painikkeita C
  - näytöllä D näkyy nykyinen ilmavirtauksen asetus pylväskaaviona
- Muistiasetus ⑨ (8040)
  - valitse yksi neljästä tallennetusta muistiasetuksesta painamalla painiketta P
  - tallenna lämpötilan ja ilmavirtauksen asetus painamalla painiketta P valitaksesi muistipaikan, asettaaksesi halutun lämpötilan ja ilmavirtauksen ja tallentaaksesi asetuksen painamalla ja pitämällä pohjassa N-painiketta
- Yleiskäyttö
  - määritä oikea lämpötila testaamalla sellainen työskentävän kappaleen osa, johon sen vaikutuksella ei ole merkitystä; aloita työ alhaisella lämpötila-asetuksella
  - lämpötila laskee kun ilmareiän/suuttimen ja työstökappaleen välinen etäisyys lisääntyy



- tarvittava lämpötila riippuu työstettävästä materiaalista
  - Käyttö paikallaan olevassa paikassa ⑩
    - aseta työkalu sen takaosan varaan pystyasentoon
    - varmista, että pinta on puhdas ja pölytön; saastunut ilma vahingoittaa moottoria
    - varmista, että ilmavirta kohdistuu pois sinusta itsestäsi
    - varmista johto työkalun alusvetämisen estämiseksi
    - älä kosketa ilmareikää/suutinta
    - varmista, että ilmareikään/suuttimeen ei pääse putoamaan mitään
    - pidä työkalusta kiinni huolella yhdellä kädelläsi samalla kun katkaiset sen toiminnan toisella kädelläsi ja anna työkalun viilentyä sen jälkeen
  - Koneen pitäminen ja ohjaaminen ⑪
    - pidä työkalusta kiinni toisella kädellä
    - pidä ilmanvaihto-aukkoja F ② peittämättöminä
  - Vakiotarvikkeet ②
    - lasinsuojassuutin G (sivusuuntaan kulkevaa ilmavirtaa varten)
    - Pyöreä suutin H (ilmavirran keskittämistä varten)
    - heijastinsuutin J (ilmavirran heijastamista varten)
    - kavennussuutin K (ilmavirran keskittämistä varten)
- HUOMAUTUKSIA:**
- kaikki sovellusesimerkit (**paitsi maalin irrottaminen ikkunoista**) voidaan suorittaa ilman tarvikkeita, mutta asianmukaisten tarvikkeiden käyttö yksinkertaistaa työn ja parantaa huomattavasti tulosten laatua
  - tätä työkalua voidaan myös käyttää yhdessä lämpöpistoolille yleisesti saatavilla olevien lisätarvikkeiden kanssa
  - Tarvikkeiden kiinnitys/irrotus
    - asenna tarvike yksinkertaisesti ilmareikään L ②
    - irrota tarvike vetämällä pois etuosasta sen viilenemisen jälkeen
    - ! **kiinnitä tarvike vain ilmareiän ollessa kylmä, kytkimen ollessa asennossa "0" ja kun kosketin on irrotettuna pistorasiasta**
    - suuttimen irrotusrenkaalla E kuumat suuttimet saa helposti irrotettua ⑫
  - Jatkuva lämpötilan kontrollointi (ylikuormausuoja)
    - Suojaaja lämmityselementtiä vaurioitumiselta työkalun ollessa ylikuormitettuna tarvitsematta pysäyttää sitä ja/tai viilentää sitä tietyn aikajakson ajan
    - kun lämpötila nousee liian korkeaksi, lämmityselementti kytkee itsensä irti moottorin jatkaessa käymistä ja tuo kylmää ilmaa
    - kun lämpötila on pudonnut riittävästi (vieden vain muutaman sekunnin), lämpäelementti kytkeytyy automaattisesti
    - ! **kun työkalua on käytetty korkealla lämpötila-asetuksella ja se kytetään pois päältä sekä lyhyen tauon jälkeen takaisin päälle, saattaa kulua hetki ennen kuin lämmityselementti saavuttaa halutun lämpötilan**

## VINKKEJÄ

- Maalin/lakan poisto ⑬
  - käytä puhdasta, terävää raavinta
  - raaputa kunnolla, kunnes maali pehmenee
  - suorita kokeiluja saadaksesi selville, kuinka pitkä aika tarvitaan lämmön soveltamiseksi optimia tulosta varten
  - raaputa pehmenetty maali välittömästi tai se kovettuu uudelleen

- jätä 30° - 40° kulma työkalun ja työstökappaleen välille
  - poista maali ja jätteet välittömästi raapimesta niiden syttymisen estämiseksi
  - suorita raavinta puun suuntaan, jos mahdollista
  - älä kohdista kuumaa ilmavirtaa liian kauan aikaa samaa pintaa kohti
  - hävitä kaikki maalijäte turvallisella tavalla
  - puhdista työskentelyalue kunnolla tehtävän suorittamisen jälkeen
  - ! **noudata varovaisuutta vanhojen rakennusten maalipintoja irrotettaessa; on mahdollista että rakennus on joskus aikaisemmin maalattu liijyvä sisältävällä maalilla, joka on erittäin myrkyllistä**
  - ! **jopa pienille liijymäärille altistuminen voi johtaa vakavaan aivojen ja hermojärjestelmän vaurioitumiseen; pienet ja vastasyntymättömät lapset ovat erityisen alttiita tälle vaaralle**
  - ! **anna liijypitoisen maalin irrotus ammattimaisen henkilön suorittavaksi lämpöpistoolia käyttämättä**
- MUITA SOVELLUSESIMERKKEJÄ:**
- ★ (synteettisen) tapetin poisto
  - Maalin/lakan poisto ikkunoista ⑭
    - käytä aina lasinsuojassuutinta G lasin lähellä työskennellessäsi
    - poista maali käsiraavinta käyttämällä
    - ! **älä käytä työkalua metallikehysten ikkunoiden maalin poistamiseksi; metalli johtaa lämpöä, mikä voi aiheuttaa lasin särkyamisen**
  - Tarrojen poisto (käytä pyöreä suutinta H) ⑮
    - monet itseliimautuvat tarrat pehmenevät niitä lämmitettäessä mahdollistaen liimasidoksen erityymisen ja liiallisen liiman poistamisen
    - ! **lämmitä tarran ulkopinta**
    - ! **varo alla olevan pinnan ylikuumentamista**
- MUITA SOVELLUSESIMERKKEJÄ:**
- ★ linoleumi- ja vinylilattiapäällyksen poisto
  - ★ synteettisistä kuidoista valmistettujen lattialaattojen poisto
  - ★ vaneerista valmistettujen päällysten irrotus/vaneriliuskan sovellus
  - ★ tervan, tinan, bitumin, vahan pehmitys/sulatus (käytä pyöreä suutinta H)
  - ★ vahaus (sukset, huonekalut) (käytä lasinsuojassuutinta G) ⑯
  - ★ hartsin poisto
  - ★ ruosteisten/liian tiukalle kiristettyjen metalliruuvien, muttereiden ja pulttien löysennys
  - ★ kynttilävahan poisto (**älä ylikuumenta alla olevaa pintaa**)
  - ★ murtuneiden kynttilöiden korjaus/taipuneiden kynttilöiden alkuperäisen muodon palauttaminen
  - Kutistumisasennus ⑰
    - käytä heijastinsuutinta J tai kutistumissuutinta K
    - valitse kutistumisasennustuubi, jonka halkaisija vastaa työstökappaleen halkaisinta
    - lämmitä kutistumisasennustuubi tasaisesti kauttaaltaan
- MUITA SOVELLUSESIMERKKEJÄ:**
- ★ kutistuspakkaus
  - Vesiputkien juottaminen ⑱
    - Tämä työkalu sopii parhaiten työskentelyyn pehmeitä juotteita varten (sulatuspiste alle 400°)
    - käytä heijastinsuutinta J

- puhdista molemmat liitososat läpikotaisin ennen juottamista
  - esilämmitä molemmat osat ja sovita juottolanka (**älä käytä liijypitoisen juottolanka**)
  - Jäätyneiden vesiputkien sulatus ⑩
    - käytä heijastinsuutinta J
    - lämmitä jäätyneet alue tasaisesti
    - ! **vesiputkia on usein vaikeata erottaa kaasuputkista; kaauputkien lämmittäminen on erittäin vaarallista – riskinä on räjähtäminen**
- MUITA SOVELLUSESIMERKKEJÄ:
- ★ PVC:stä valmistettujen vesiputkien sulatus (**asento II, maks. 60°C**)
  - ★ jäätyneiden autonlukkojen sulatus (**asento II, maks. 60°C**) (käytä kavennussuutinta)
  - ★ pakastimien sulatus (**älä vaurioita muovikoteloa**)
  - ★ jääpeitteisten askelmien ja kävelyteiden sulattaminen
- Muovituotujen muotoilu
    - käytä heijastinsuutinta J
    - täytä tuubi hiekalla ja tiivistä se molemmista päistä tuubin vääntymisen estämiseksi
    - lämmitä tuubia tasaisesti liikuttamalla sitä sivulta toiselle
- MUITA SOVELLUSESIMERKKEJÄ:
- ★ kaikkien muovien muotoilu alhaista sulatuspistettä käyttämällä (polyeteeni, PVC jne.)
  - ★ kaikkien muovien muotoilu korkeata sulatuspistettä käyttämällä (akryylilasi, plexilasi jne.)
  - ★ synteettisistä kuiduista valmistettujen lattianpäällyslautojen muotoilu ja taittaminen
  - ★ puun muotoilu ja taittaminen (mallirakennus)
- Muovien hitsaus
    - hitsaussauman on oltava puhdas ja rasvaton
    - pidä hitsauspuikko lähellä hitsaussaamaa ja kohdistaa lämpöä, kunnes hitsauspuikko on tahmea
    - poista lämpö kun hitsaussauma on täytetty
- MUITA SOVELLUSESIMERKKEJÄ:
- ★ surffausrakenteiden, suksien ja muiden synteettisten urheilutarvikkeiden korjaus (käytä pyöreä suutinta H)
  - ★ PVC-materiaalien hitsaus
  - ★ ilmarakkuloiden tasaus PVC-tarjojen asetuksen jälkeen
  - ★ puutarhaletkujen yhdistäminen (käytä heijastinsuutinta J)
- Kuivaus
    - ! suorita kuivaus vain alhaisella tai keskikorkealla lämpötila-asetuksella (**asento I tai II**) ja lisäksi työkalun ja työstökappaleen välistä etäisyyttä
    - maalin, lakan, kipsimuurauslaastin ja kipsilaastin kuivaus
    - määrän puun kuivaus ennen täyttöö
    - paksusti levitetyn täytinaineen tai liiman kuivaus nopeasti
    - rakennusliitosten kuivaus ennen eristeaineen tai tiivistäineen ruiskuttamista
    - venerakennuksen liitosten ja halkeamien kuivaus
- Puhdistus/desinfiointi
    - kanihakkien, kyyhkyslakkojen jne. desinfiointi (**poista ensin lemmikkieläin**)
    - muurahaisten hävittäminen
    - toukkien ja kovakuoriaisten hävittäminen (**pidä työkalu riittävän etäällä puupinnasta**)
    - rikkaruohojen hävittäminen

## HOITO / HUOLTO

- Tätä työkalua ei ole tarkoitettu ammattikäyttöön
- Älä koskaan käytä helposti syttyviä nesteitä lämpöpistoolin puhdistamiseen yleisesti ja varsinkinaan ilmareiriän/suutimen puhdistukseen
- Pidä työkalu ja johto puhtaina (varmista erityisesti ilma-aukkojen puhtaus F ②)
- Jos sähkötyökalussa, huolellisesta valmistuksesta ja koestusmenettelyistä huolimatta esiintyy vikaa, tulee korjaus antaa SKIL sopimushuollon tehtäväksi
  - toimita työkalu sitä osiin **purkamatta** lähimpään SKIL-huoltoon (osoitteet ja työkalun huoltokaava ovat tarjolla web-osoitteessa [www.skil.com](http://www.skil.com)) ostotodiste mukaan liitettynä
- Ota huomioon, että takuu ei kata työkalun ylikuormituksesta tai väärästä käsittelystä johtuvia vahinkoja (katso SKILin takuuehdot osoitteesta [www.skil.com](http://www.skil.com) tai kysy jälleenmyyjältä)

## YMPÄRISTÖNSUOJELU

- **Älä hävitä sähkötyökalua, tarvikkeita tai pakkausta tavallisen kotitalousjätteen mukana** (koskee vain EU-maita)
  - vanhoja sähkö- ja elektroniikkalaitteita koskevan EU-direktiivin 2012/19/ETY ja sen maakohtaisten sovellusten mukaisesti käytetyt sähkötyökalut on toimitettava ongelmajätteen keräyspisteeseen ja ohjattava ympäristöystävälliseen kierrätykseen
  - symboli ⑤ muistuttaa tästä, kun käytöstä poisto tulee ajankohtaiseksi

E

## Pistola de calor 8020/8040 INTRODUCCIÓN

- Esta herramienta está diseñada para eliminar pintura, conformar y soldar plástico, y calentar tubos termocontraíbles; la herramienta también es adecuada para soldar y estañar, despegar juntas adhesivas y descongelar tuberías de agua
- Esta herramienta no está concebida para uso profesional
- Lea y conserve este manual de instrucciones ③

## DATOS TÉCNICOS ①

## ELEMENTOS DE LA HERRAMIENTA ②

- A Interruptor de activación/desactivación
- B Botones para ajuste de temperatura (8040)
- C Botones para ajuste del caudal de aire (8040)
- D Pantalla de cristal líquido (LCD) (8040)
- E Anillo de liberación de tobera
- F Ranuras de ventilación
- G Tobera de protección del cristal
- H Tobera redonda
- J Tobera reflectora
- K Tobera reductora
- L Salida/tobera de aire
- M Rueda selectora (8020)
- N Botón para almacenamiento en memoria (8040)
- P Botón para selección de memoria (8040)

# SEGURIDAD

## GENERAL

- **Esta herramienta puede ser utilizada por niños desde 8 años y por personas con limitadas capacidades físicas, sensoriales e intelectuales o con falta de experiencia y conocimientos siempre y cuando estén vigilados por una persona responsable de su seguridad o hayan sido instruidos en la utilización segura de la herramienta y entendido los peligros inherentes (en caso contrario, existe el peligro de un manejo erróneo y lesiones)**
- **Vigile a los niños (con ello se evita que los niños jueguen con la herramienta)**
- **Los niños no deberán realizar trabajos de limpieza ni de mantenimiento en la herramienta sin la debida vigilancia**

## ANTES DE UTILIZAR LA HERRAMIENTA:

- Compruebe el funcionamiento de la herramienta cada vez que vaya a utilizarla; en el caso de que presentara algún defecto, llévelo a una persona cualificada para que lo repare; no abra nunca la herramienta
- Inspeccione el cable y el enchufe de la herramienta cada vez que vaya a utilizarla y, si estuvieran dañados, haga que una persona cualificada los repare
- Utilice cables de extensión seguros y completamente desenrollados con una capacidad de 16 amperios
- No utilice la herramienta si el cable está dañado; debe ser sustituido por el fabricante, su personal de asistencia o personas con similar cualificación para evitar riesgos.
- Utilice la herramienta y sus accesorios según se indica en este manual de instrucciones y de manera adecuada para la máquina; el uso de la herramienta en operaciones distintas para las que ha sido diseñada, podría generar situaciones peligrosas
- Compruebe siempre que la tensión de alimentación es la misma que la indicada en la placa de características de la herramienta
- Asegúrese de que la herramienta está apagada cuando la enchufe

## DURANTE EL USO DE LA HERRAMIENTA:

- Maneje la herramienta con cuidado; evite que se produzcan fuego y quemaduras
  - no toque la salida/tobera de aire ni el objeto recalentado; pueden estar extremadamente calientes

- no acerque demasiado la salida/tobera de aire al objeto sobre el que trabaja
- no dirija el chorro de aire caliente hacia la misma superficie durante demasiado tiempo
- nunca mire hacia la salida/tobera de aire
- utilice guantes de protección y gafas de seguridad
- nunca dirija el chorro de aire caliente hacia personas o animales
- nunca utilice la herramienta para secar el cabello
- no deje la herramienta desatendida
- nunca utilice la herramienta cerca de gases inflamables o materiales combustibles (**riesgo de explosión**)
- cuando trabaje con plástico, pintura, barniz o materiales similares se pueden generar gases inflamables y venenosos; antes de realizar un trabajo, infórmese sobre los materiales con los que va a trabajar
- tenga en cuenta que el calor se puede propagar hasta materiales combustibles que estén fuera del alcance de su vista
- para trabajar seguro, tenga un cubo de agua o un extintor a mano por si algún material se incendiara
- Protejase de una posible electrocución
  - no utilice nunca la salida/tobera de aire para hurgar sobre cualquier cosa
  - evite que el cuerpo esté en contacto con superficies que puedan trabajar como tomas de tierra (p.ej. tuberías, radiadores, refrigeradores)
  - asegúrese de que la herramienta no se moja
  - no utilice la herramienta en lugares húmedos
  - cuando utilice la herramienta en el exterior, enchúfela a través del interruptor de la corriente (FI) con un interruptor diferencial de 30 mA como máximo; sólo utilice un cable de extensión apropiado para su uso en el exterior y equipado con un enchufe a prueba de salpicaduras
- Maneje el cable con cuidado
  - siempre mantenga el cable lejos del chorro de aire y de la salida/tobera de aire
  - mantenga el cable lejos del calor, el aceite y los bordes afilados
  - no transporte la herramienta cogiéndola por el cable, ni tire del cable para desconectarla del enchufe
  - no cuelgue la herramienta del cable
- Nunca utilice la herramienta junto con disolventes químicos
- Asegúrese de que el área de trabajo está convenientemente ventilada
- Mantenga el área de trabajo limpia y bien iluminada
- Permanezca alerta; fíjese bien en lo que haga, utilice el sentido común y no utilice la herramienta cuando esté cansado
- Adopte una postura segura; no la fuerce, especialmente cuando trabaje en escaleras y tabladós
- Asegúrese de que ha apagado la herramienta antes de dejarla a un lado
- En el caso de que se produjera un mal funcionamiento eléctrico o mecánico, apague inmediatamente la herramienta y desconecte el enchufe

## DESPUÉS DE UTILIZAR LA HERRAMIENTA:

- apoye la herramienta sobre su parte trasera y de pie
- Apague la herramienta y desconecte el enchufe
- Deje que la herramienta se enfríe durante un mínimo de 30 minutos antes de guardarla

- No guarde/deje la herramienta en el exterior
- Guarde la herramienta en un lugar seco y cerrado con llave, lejos del alcance de los niños

## EXPLICACIÓN DE LOS SÍMBOLOS DE LA HERRAMIENTA

- ③ Lea el manual de instrucciones antes de utilizarla
- ④ Doble aislamiento (no requiere cable de tierra)
- ⑤ No deseche la herramienta junta con los residuos domésticos

## USO

- Interruptor de encendido/apagado con ajustes de temperatura ⑥
- ! **compruebe si el interruptor A ② se encuentra en la posición "0" antes de enchufarlo**
- encienda la herramienta conmutando el interruptor A en la posición deseada:

### 8020

I = 50°C, chorro de aire = 350 litros/minuto  
 II = 450°C, chorro de aire = 350 litros/minuto  
 III = 600°C, chorro de aire = 500 litros/minuto

### 8040

I = 50°C + chorro de aire = 250-500 litros/minuto  
 II = 50°C ... 650°C, chorro de aire = 250-500 litros/minuto

- cuando utilice la herramienta por primera vez, observará que sale algo de humo de la herramienta; es normal y pronto desaparecerá
- apague la herramienta devolviendo el interruptor A a la posición "0"
- Ajuste de temperatura
- ! **hay una tolerancia en las temperaturas indicadas**  
**50 °C...90 °C: máx. 90 °C**  
**menos de 300 °C: ±20 %**  
**más de 300 °C: ±10 %**

### 8020

- utilice la ruedecilla M para seleccionar el ajuste de temperatura deseado
- utilice la tabla ⑥ como referencia

### 8040 ⑦

- fije la temperatura objetivo deseada en pasos de 10°C pulsando los botones B brevemente
- al pulsar los botones B de forma constante se aumenta/disminuye la temperatura objetivo de forma continua hasta soltar los botones o hasta alcanzar la temperatura máxima/mínima
- una vez establecida la temperatura objetivo, la pantalla D muestra flechas intermitentes hasta que se alcanza la temperatura deseada (solo en la posición «II»)
- la temperatura objetivo se guardará en la memoria de la herramienta, de modo que cada vez que se encienda la herramienta, ésta se calienta hasta alcanzar la temperatura objetivo seleccionada la última vez
- Ajuste del caudal de aire ⑧ (8040)
  - fije el caudal de aire deseado en pasos de 50 l/min. pulsando los botones C brevemente
  - en la pantalla D, se muestra la configuración real del caudal de aire en un gráfico de barras
- Configuración de la memoria ⑨ (8040)
  - para seleccionar una de las cuatro configuraciones de la memoria guardadas, pulse el botón P
  - para guardar una configuración de temperatura y

caudal de aire, pulse el botón P para seleccionar una ubicación de la memoria, defina los valores deseados de temperatura y caudal de aire, y mantenga pulsado el botón N para guardarlos

- Uso general
    - determine la temperatura adecuada haciendo pruebas en una zona discreta; empiece con un ajuste bajo de la temperatura
    - la temperatura disminuye a medida que aumenta la distancia entre la salida/tobera de aire y la pieza de trabajo
    - la temperatura necesaria depende del material sobre el que trabaje
  - Uso estacionario ⑩
    - apoye la herramienta sobre su parte trasera y de pie
    - asegúrese de que la superficie está limpia y sin polvo; el aire sucio daña el motor
    - asegúrese de que dirige el chorro lejos de usted
    - fije el cable para evitar que la herramienta se caiga
    - no toque la salida/tobera de aire
    - asegúrese de que nada cae dentro de la salida/tobera de aire
    - sostenga la herramienta cuidadosamente con una mano, mientras que con la otra la apaga; después deje que se enfríe
  - Sujeción y manejo de la herramienta ⑪
    - sostenga la herramienta con una mano
    - mantenga las ranuras de ventilación F ② descubiertas
  - Accesorios estándar ⑫
    - tobera de protección del cristal G (para desviar el chorro de aire)
    - boquilla redonda H (para concentrar el chorro de aire)
    - tobera reflectora J (para reflejar el chorro de aire)
    - tobera reductora K (para concentrar el chorro de aire)
- NOTAS:
- todos los ejemplos de aplicación (**excepto cuando se retire pintura de las ventanas**) pueden llevarse a cabo sin accesorios; sin embargo, el uso de los accesorios apropiados simplifica el trabajo y mejora significativamente la calidad de los resultados
  - esta herramienta también puede utilizarse en combinación con accesorios habituales para pistolas de calor
  - Montaje/desmontaje de accesorios
    - simplemente encaje el accesorio dentro de la salida de aire L ②
    - sara retirar un accesorio, tire de él por la parte frontal cuando se haya enfriado
  - ! **monte un accesorio únicamente cuando la salida de aire esté fría, el conmutador esté en la posición "0" y el enchufe desconectado**
    - utilice el anillo de liberación de tobera E para extraer las toberas calientes de forma sencilla ⑬
  - Control constante del calor (protección contra sobrecargas)
    - Esta protección evita que el elemento generador de calor sufra daños cuando la herramienta se sobrecarga después de un uso prolongado y/o no se haya dejado enfriar durante cierto período de tiempo
    - cuando la temperatura alcanza un valor muy elevado, los interruptores del elemento generador de calor se apagan; mientras, el motor continúa girando y generando aire frío

- cuando la temperatura ha caído suficientemente (sólo en unos segundos), el elemento generador de calor se enciende automáticamente

**! si se apaga la herramienta después de trabajar en un modo de alta temperatura y se vuelve a encender de nuevo después de un descanso, es posible que haya que esperar unos instantes hasta que el elemento generador de calor alcance la temperatura deseada**

## CONSEJOS DE APLICACIÓN

- Eliminación de pintura/laca <sup>(13)</sup>
  - utilice un raspador limpio y afilado
  - raspe firmemente cuando se ablande la pintura
  - realice pruebas para establecer el tiempo necesario de aplicación de calor para obtener resultados óptimos
  - raspe la pintura reblandecida enseguida o se endurecerá de nuevo
  - rorme un ángulo de 30° a 40° entre la herramienta y la pieza de trabajo
  - retire los restos de pintura del raspador inmediatamente para evitar que ardan
  - cuando sea posible, raspe con la fibra de la madera
  - no dirija el chorro de aire caliente hacia la misma superficie durante demasiado tiempo
  - deshágase con precaución de todos los restos de pintura
  - cuando acabe, limpie a fondo la zona de trabajo
- ! tenga cuidado cuando retire capas de pintura en edificios antiguos; puede ser que anteriormente se pintara el edificio con pintura que contenía plomo, el cual es muy venenoso**
- ! la exposición, incluso, a niveles bajos de plomo puede ocasionar daños serios en el cerebro y el sistema nervioso; los niños y los fetos son especialmente vulnerables**
- ! deje que un profesional retire las pinturas con contenido de plomo, sin utilizar pistolas de calor**
- OTRO EJEMPLO DE APLICACIÓN:
  - ★ eliminación de cubiertas (sintéticas) de muros
- Eliminación de pintura/laca de las ventanas <sup>(14)</sup>
  - utilice **siempre** la tobera de protección del cristal G cuando trabaje cerca de un cristal
  - retire la pintura con un raspador de mano
- ! no utilice la herramienta para eliminar la pintura en ventanas con marcos metálicos; el metal es conductor del calor y puede llegar a romper el cristal**
- Extracción de adhesivos (utilice la tobera redonda H) <sup>(15)</sup>
  - muchos adhesivos se ablandan cuando se calientan, lo que permite que la cola adhesiva se separe y se pueda sacar el adhesivo
- ! caliente el adhesivo por su cara superior**
- ! tenga cuidado siempre de no sobrecalentar la superficie subyacente**
- OTROS EJEMPLOS DE APLICACIÓN:
  - ★ extracción de moquetas de linóleo y vinilo
  - ★ extracción de losas de moqueta fabricadas con fibras sintéticas
  - ★ extracción/colocación de láminas de madera
  - ★ ablandamiento/derretimiento de brea, estaño, betún y cera (utilice la tobera redonda H)

- ★ encerado (esquís, muebles) (utilice la tobera de protección del cristal G) <sup>(16)</sup>
- ★ extracción de resina
- ★ aflojado de tornillos, tuercas y pernos metálicos oxidados o apretados en exceso
- ★ extracción de cera de vela (**no sobrecaliente la superficie subyacente**)
- ★ reparación de velas rotas o restauración de velas dobladas a su forma original
- Tubos termocontraíbles <sup>(17)</sup>
  - utilice la tobera reflectora J o la tobera reductora K
  - seleccione un tubo termocontraíble que tenga un diámetro que se adapte al de la pieza de trabajo
  - caliente el tubo termocontraíble de manera uniforme
- OTRO EJEMPLO DE APLICACIÓN:
  - ★ embalaje termoplástico
- Soldado de tuberías de agua <sup>(18)</sup>
  - Esta herramienta es más adecuada para trabajar con soldaduras suaves (punto de fusión por debajo de los 400°)
  - utilice la tobera reflectora J
  - antes de realizar la soldadura, limpie por completo las dos secciones que vaya a unir
  - caliente previamente ambas secciones y aplique el alambre de soldar (**no utilice el alambre de soldar con contenido de plomo**)
- Descongelación de tuberías de agua congeladas <sup>(19)</sup>
  - utilice la tobera reflectora J
  - caliente el área congelada de manera uniforme
- ! a menudo, las tuberías de agua son difíciles de distinguir de las de gas; calentar tuberías de gas es extremadamente peligroso - corre el riesgo de provocar una explosión**
- OTROS EJEMPLOS DE APLICACIÓN:
  - ★ descongelación de tuberías de agua fabricadas con PVC (**posición II, máx. 60°C**)
  - ★ descongelación de cerraduras de coche congeladas (**posición II, máx. 60°C**) (utilice la tobera reductora )
  - ★ descarchado de congeladores (**procure no dañar la carcasa de plástico**)
  - ★ descongelado de peldaños y pavimentos recubiertos de hielo
- Conformado de tubos de plástico
  - utilice la tobera reflectora J
  - llene el tubo con arena y tape en ambos extremos para evitar que el tubo se arrugue
  - caliente el tubo de manera uniforme moviéndolo de un lado a otro
- OTROS EJEMPLOS DE APLICACIÓN:
  - ★ conformado de cualquier plástico con punto de fusión bajo (polietileno, PVC, etc.)
  - ★ conformado de cualquier plástico con punto de fusión elevado (cristal acrílico, Plexiglas, etc.)
  - ★ conformado y doblado de losas de moqueta fabricadas con fibras sintéticas
  - ★ conformado y doblado de madera (construcción de modelos)
- Plásticos para soldadura
  - la costura de soldadura debe estar limpia de suciedad y grasa
  - mantenga la varilla de soldar cerca de la costura de soldadura y aplique calor hasta que la varilla de soldar presente un aspecto pegajoso
  - retire el calor cuando la costura de soldadura esté llena

## OTROS EJEMPLOS DE APLICACIÓN:

- ★ reparación de tablas de surf, esquís y otros materiales deportivos sintéticos (utilice la tobera redonda H)
- ★ soldadura de materiales de PVC
- ★ alisado de burbujas producidas al pegar etiquetas de PVC
- ★ unión de mangueras de jardín (utilice la tobera reflectora J)
- Secado
  - ! **seque utilizando únicamente el ajuste de baja o media temperatura (posición I o II) y a una cierta distancia entre la herramienta y la pieza de trabajo**
  - secado de pintura, barniz, yeso, mortero y escayola
  - secado de vigas de madera húmedas antes del relleno
  - secado de rellenos espesos o adhesivos rápidos
  - secado de juntas de edificios antes de aplicar el aislante o el impermeabilizador
  - secado de juntas y grietas en la construcción de barcos
- Limpieza/desinfección
  - desinfección de conejeras, palomares, etc. (**primero retire sus animales**)
  - lucha contra hormigueros
  - lucha contra carcomas y escarabajos (**sostenga la herramienta a una distancia adecuada de la madera**)
  - eliminación de malas hierbas

## MANTENIMIENTO / SERVICIO

- Esta herramienta no está concebida para uso profesional
- Nunca utilice líquidos fácilmente inflamables para limpiar la pistola, en general, ni la salida/tobera de aire, en particular
- Mantenga limpio el cable eléctrico y la herramienta (sobre todo las ranuras de ventilación F ②)
- Si a pesar de los esmerados procesos de fabricación y control, la herramienta llegase a averiarse, la reparación deberá encargarse a un servicio técnico autorizado para herramientas eléctricas SKIL
  - envíe la herramienta **sin desmontar** junto con una prueba de su compra a su distribuidor o a la estación de servicio más cercana de SKIL (los nombres así como el despiece de piezas de la herramienta figuran en [www.skil.com](http://www.skil.com))
- Tenga presente que los daños debido a sobrecargas o al manejo inadecuado de la herramienta serán excluidos de la garantía (consulte las condiciones de garantía de SKIL en [www.skil.com](http://www.skil.com) o consulte a su distribuidor)

## AMBIENTE

- **No deseche las herramientas eléctricas, los accesorios y embalajes junto con los residuos domésticos** (sólo para países de la Unión Europea)
  - de conformidad con la Directiva Europea 2012/19/CE sobre residuos de aparatos eléctricos y electrónicos y su aplicación de acuerdo con la legislación nacional, las herramientas eléctricas cuya vida útil haya llegado a su fin se deberán recoger por separado y trasladar a una planta de reciclaje que cumpla con las exigencias ecológicas
  - símbolo ⑤ llamará su atención en caso de necesidad de tirarlas

P

## Pistola de ar quente

8020/8040

## INTRODUÇÃO

- Esta ferramenta destina-se à remoção de tinta, à modelagem e soldagem de plástico, e ao aquecimento de tubagens termo-retrácteis; a ferramenta também é adequada para soldar e estanhar, para separar juntas coladas e para degelar canos de água
- Esta ferramenta não se destina a utilização profissional
- Leia e guarde este manual de instruções ③

## DADOS TÉCNICOS ①

## ELEMENTOS DA FERRAMENTA ②

- A Interruptor para ligar/desligar
- B Botões de definição da temperatura (8040)
- C Botões para definição do fluxo de ar (8040)
- D Visor (LCD) (8040)
- E Anel de libertação do bocal
- F Aberturas de ventilação
- G Bico de protecção do vidro
- H Bico redondo
- J Bico do reflector
- K Bico de redução
- L Bico/saída de ar
- M Roda de marcação (8020)
- N Botão para armazenamento de memória (8040)
- P Botão para seleção de memória (8040)

## SEGURANÇA

### GENERAL

- **Esta ferramenta pode ser utilizada por crianças a partir dos 8 anos, assim como pessoas com capacidades físicas, sensoriais ou mentais reduzidas, ou com insuficiente experiência e conhecimentos, desde que as mesmas sejam supervisionadas ou recebam instruções acerca da utilização segura da ferramenta e dos perigos provenientes do mesmo (caso contrário há perigo de operação errada e ferimentos)**
- **Supervisionar as crianças (assim é assegurado que as crianças não brinquem com a ferramenta)**

## • Crianças não devem realizar trabalhos de limpeza nem de manutenção na ferramenta, sem supervisão

### ANTES DA UTILIZAÇÃO:

- Verifique o funcionamento da ferramenta antes de cada utilização e, em caso de avaria, leve-a a uma pessoa qualificada para reparação; nunca abra você mesmo a ferramenta
- Inspeccione o fio e a ficha da ferramenta antes de cada utilização e, se eles estiverem danificados, leve-os a uma pessoa qualificada para substituição
- Utilize extensões completamente desenroladas e seguras, com uma capacidade de 16 Amp
- Nunca use a ferramenta se o cabo estiver danificado; este tem de ser substituído pelo fabricante, pelo agente de assistência deste ou por pessoas com qualificação idêntica para evitar perigos.
- Utilize a ferramenta e os acessórios conforme indicado neste manual de instruções e para os fins para os quais a ferramenta foi concebida; a utilização da ferramenta para operações diferentes daquelas que normalmente se espera que a ferramenta execute poderá resultar numa situação de perigo
- Certifique-se sempre de que a tensão de alimentação está de acordo com a tensão indicada na placa de identificação da ferramenta
- Certifique-se de que a ferramenta está desligada antes de colocar a ficha na tomada

### DURANTE A UTILIZAÇÃO:

- Manuseie a ferramenta com cuidado; evite incêndios e queimaduras
  - não toque na saída do ar/bico da ferramenta nem no objecto aquecido; eles atingem temperaturas muito altas
  - não coloque a saída do ar/bico da ferramenta demasiado próximo do objecto em que está a trabalhar
  - não oriente o fluxo de ar quente para a mesma superfície por um período de tempo demasiado longo
  - nunca olhe para dentro da saída do ar/ bico da ferramenta
  - use luvas de protecção e óculos de segurança
  - nunca oriente o fluxo de ar quente em direcção a pessoas ou animais
  - nunca utilize a ferramenta para secar o cabelo
  - nunca deixe a ferramenta sem vigilância
  - nunca utilize a ferramenta na proximidade de gases inflamáveis ou materiais combustíveis (**risco de explosão**)
  - ao trabalhar com plástico, tinta, verniz e materiais semelhantes, podem ser produzidos gases inflamáveis e tóxicos; informe-se antecipadamente sobre os materiais em que vai trabalhar
  - tenha em consideração o facto de que o calor pode ser transferido para materiais combustíveis que não estejam à vista
  - para mais segurança, tenha sempre à mão um balde de água ou um extintor, para o caso de qualquer material se incendiar
- Evite choques eléctricos
  - nunca introduza qualquer objecto pela saída do ar/bico da ferramenta

- evite tocar com o corpo em superfícies ligadas à terra (por ex. canos, radiadores, salamandras, frigoríficos)
- certifique-se de que a ferramenta não apanha água
- não utilize a ferramenta em locais molhados
- quando utilizar a ferramenta no exterior, ligue-a utilizando um disjuntor de corrente de falha (FI) com uma corrente de disparo de 30 mA no máximo e utilize apenas uma extensão destinada a utilização no exterior e que esteja equipada com uma tomada de união à prova de salpicos
- Manuseie o fio com cuidado
  - mantenha sempre o fio afastado do fluxo de ar quente e da saída do ar/bico da ferramenta
  - mantenha o fio afastado de fontes de calor, de óleo e de arestas aguçadas
  - não pegue na ferramenta pelo fio nem puxe pelo fio para tirar a ficha da tomada
  - não pendure a ferramenta suspendendo-a pelo fio
- Nunca utilize a ferramenta em conjunto com solventes químicos
- Certifique-se de que o local de trabalho tem uma ventilação adequada
- Mantenha o local de trabalho limpo e bem iluminado
- Mantenha-se vigilante; dê atenção ao que está a fazer, use o seu bom senso e não trabalhe com a ferramenta quando estiver cansado
- Mantenha uma posição segura; não trabalhe em posições de equilíbrio instável, especialmente em escadotes e em plataformas levantadas
- Certifique-se de que a ferramenta está desligada antes de a assentar
- Em caso de anomalias eléctricas ou mecânicas, desligue imediatamente a ferramenta e tire a ficha da tomada

### APÓS A UTILIZAÇÃO:

- assente a ferramenta sobre a parte de trás, na vertical
- Desligue a ferramenta e tire a ficha da tomada
- Deixe arrefecer a ferramenta durante pelo menos 30 minutos antes de a guardar
- Nunca guarde/deixe a ferramenta no exterior
- Guarde a ferramenta num local seco e seguro, fora do alcance das crianças

### EXPLICAÇÃO DOS SÍMBOLOS DA FERRAMENTA

- ③ Leia o manual de instruções antes de utilizar o equipamento
- ④ Isolamento duplo (nenhum fio de terra necessário)
- ⑤ Não deite a ferramenta no lixo doméstico

## MANUSEAMENTO

- Interruptor de ligar/desligar com opções de temperatura ⑥

**! certifique-se de que o interruptor A ② está na posição "0" antes de colocar a ficha na tomada**  
- ligue a ferramenta empurrando o interruptor A para a posição desejada:

#### 8020

I = 50°C, fluxo de ar de 350 litros/minuto

II = 450°C, fluxo de ar de 350 litros/minuto

III = 600°C, fluxo de ar de 500 litros/minuto

#### 8040

I = 50°C + fluxo de ar de 250-500 litros/minuto

II = 50°C ... 650°C, fluxo de ar de 250-500 litros/minuto

- quando utilizar a ferramenta pela primeira vez, poderá sair algum fumo; isto é normal e em breve deixará de ocorrer

- desligue a ferramenta empurrando o interruptor A para a posição "0"
- Definição de temperatura
  - ! existe uma tolerância para as temperaturas indicadas**
  - 50...90 °C: máx. 90 °C**
  - inferior a 300 °C: ±20%**
  - superior a 300 °C: ±10%**
- 8020**
  - utilize a roda de marcação M para seleccionar a definição da temperatura desejada
  - utilize a mesa ⑥ como referência
- 8040 ⑦**
  - defina a temperatura alvo pretendida em passos de 10°C, premindo os botões B brevemente
  - se premir os botões B constantemente, aumenta/ diminui a temperatura alvo continuamente até libertar os botões ou alcançar a temperatura mínima/máxima
  - depois de definir a temperatura-alvo, o visor D apresenta setas intermitentes até ser atingida a temperatura desejada (apenas na posição "II")
  - a temperatura alvo será guardada na memória da ferramenta, por isso, após cada comutação, a ferramenta aquece até à última temperatura alvo seleccionada
- Definição do fluxo de ar ⑧ (8040)
  - defina o fluxo de ar pretendido em passos de 50 l/min, premindo os botões C brevemente
  - o visor D mostra a definição do fluxo de ar actual num gráfico de barras
- Definição da memória ⑨ (8040)
  - para seleccionar uma das quatro definições da memória armazenada, prima o botão P
  - para armazenar uma configuração de temperatura e fluxo de ar, prima o botão P para seleccionar um local de memória, defina a temperatura e o fluxo de ar desejados e prima sem soltar o botão N para armazenar a configuração
- Utilização geral
  - decida a temperatura correcta fazendo um teste numa parte da peça a trabalhar que não fique à vista; comece por utilizar uma opção de temperatura baixa
  - a temperatura baixa à medida que a distância entre a saída do ar/bico da ferramenta e a peça a trabalhar aumenta
  - a temperatura necessária depende do material em que está a trabalhar
- Utilização estacionária ⑩
  - assente a ferramenta sobre a parte de trás, na vertical
  - certifique-se de que a superfície está limpa e não tem pó; o ar poluído danifica o motor
  - certifique-se de que o fluxo de ar não está na sua direcção
  - prenda o fio para evitar derrubar a ferramenta
  - não toque na saída do ar/bico da ferramenta
  - certifique-se de que não entra nada para a saída do ar/bico da ferramenta
  - segure a ferramenta com uma mão, com cuidado, enquanto a desliga com a outra e deixe arrefecer a ferramenta
- Segurar e guiar a ferramenta ⑪
  - segure a ferramenta com uma mão
  - mantenha as aberturas de ventilação F ⑫ destapadas

- Acessórios standard ⑫
  - bico de protecção de vidro G (para deflectir o fluxo de ar)
  - bico redondo H (para concentrar o fluxo de ar)
  - bico reflector J (para reflectir o fluxo de ar)
  - bico redutor K (para concentrar o fluxo de ar)
- NOTAS:
  - todos os exemplos de aplicação (**exceptuando a remoção de tinta de janelas**) podem ser executados sem acessórios; no entanto, a utilização do acessório adequado simplifica o trabalho e melhora significativamente a qualidade dos resultados
  - esta ferramenta pode também ser utilizada juntamente com acessórios disponíveis para pistolas de aquecimento
- Montagem/desmontagem de acessórios
  - monte simplesmente o acessório na saída do ar L ⑬
  - desmonte um acessório sacando-o pela frente quando tiver arrefecido
  - ! monte um acessório apenas quando a saída do ar estiver fria, com o interruptor na posição "0" e a ficha fora da tomada**
  - utilize o anel de libertação do bico E para fácil remoção dos bicos quentes ⑭
- Controle constante do calor (protecção de sobrecarga)
  - Protege o elemento de aquecimento contra danos quando a ferramenta é submetida a sobrecarga sem ter de parar a ferramenta e/ou deixá-la arrefecer durante algum tempo
  - quando a temperatura atinge um valor demasiado alto, o elemento de aquecimento desliga-se automaticamente enquanto o motor continua a trabalhar e produz ar frio
  - quando a temperatura baixar o suficiente (o que leva apenas alguns segundos), o elemento de aquecimento é automaticamente ligado
  - ! quando desligar a ferramenta depois de trabalhar com uma definição de alta temperatura e ligar novamente após uma paragem curta, pode demorar algum tempo antes de o elemento de aquecimento atingir a temperatura pretendida**

## CONSELHOS DE APLICAÇÃO

- Remoção de tinta ou laca ⑬
  - utilize uma raspadeira limpa e afiada
  - raspe com firmeza quando a tinta amolecer
  - experimente para determinar o tempo necessário de aplicação do calor para a obtenção dos melhores resultados
  - raspe imediatamente a tinta amolecida, caso contrário ela voltará a endurecer
  - mantenha um ângulo de 30° a 40° entre a ferramenta e a peça em que está a trabalhar
  - remova imediatamente a tinta e os resíduos da raspadeira, para impedir que se incendeiem
  - sempre que possível, raspe ao correr das fibras da madeira
  - não oriente o fluxo de ar quente para a mesma superfície por um período de tempo demasiado longo
  - deite fora todos os resíduos de tinta de forma segura
  - limpe bem a área de trabalho quando terminar
  - ! tenha cuidado ao remover camadas de tinta em edifícios antigos – anos atrás, o edifício poderá ter**



sidopintado com tinta que tivesse chumbo, que é extremamente tóxico

! a exposição ao chumbo, mesmo a níveis muito reduzidos, pode causar graves danos ao cérebro e ao sistema nervoso; são especialmente vulneráveis as crianças mais novas e o feto no ventre materno

! mande remover a tinta que contenha chumbo por um profissional, sem a utilização de uma pistola de ar quente

OUTRO EXEMPLO DE APLICAÇÃO:

★ remoção de revestimentos (sintéticos) de parede

- Remoção de tinta ou laca de janelas (14)
  - utilize **sempre** o bico de protecção de vidro G quando trabalhar perto de vidro

- remova a tinta com uma raspadeira de mão

! não utilize a ferramenta para remover tinta em janelas com armação metálica – o metal é condutor de calor, o que poderia levar a que o vidro partisse

- Remoção de autocolantes (utilize o bico redondo H) (15)
  - muitos adesivos amolecem quando aquecidos, permitindo assim a descolagem e remoção de adesivo excedente

! aqueça a superfície superior do autocolante

! tenha sempre o cuidado de não aquecer demasiado a superfície subjacente

OUTROS EXEMPLOS DE APLICAÇÃO:

★ remoção de revestimentos de linóleo e vinílicos

★ remoção de ladrilhos feitos de fibras sintéticas

★ remoção de folheados/aplicação de placas de folheado

★ amolecer/derreter alcatrão, estanho, betume, cera (utilize o bico redondo H)

★ encerar (esquis, mobiliário) (utilize o bico de protecção de vidro G) (16)

★ remoção de resina

★ desapertar parafusos, porcas e pernos metálicos enferrujados ou demasiado apertados

★ remoção de cera de velas (não aqueça demasiado a superfície subjacente)

★ reparação de velas partidas / restauração de velas dobradas ao seu formato original

- Fixação termo-retráctil (17)

- utilize o bico reflector J ou o bico redutor K

- seleccione um tubo termo-retráctil com um diâmetro igual ao da peça a trabalhar

- aqueça uniformemente o tubo termo-retráctil

OUTRO EXEMPLO DE APLICAÇÃO:

★ embalagem de filme retráctil

- Soldagem de canos de água (18)

Esta ferramenta é particularmente adequada para trabalhar com soldas brandas (ponto de fusão abaixo de 400°)

- utilize o bico reflector J

- limpe bem ambas as secções da junta antes de soldar

- pré-aqueça ambas as secções e aplique fio de soldar (não utilize fio de soldar que contenha chumbo)

- Degelar canos de água congelados (19)

- utilize o bico reflector J

- aqueça uniformemente a área congelada

! os canos de água são muitas vezes difíceis de distinguir dos canos de gás; aquecer canos de gás é extremamente perigoso – risco de explosão

OUTROS EXEMPLOS DE APLICAÇÃO:

★ degelar canos de água feitos de PVC (posição II, máx. 60°C)

★ degelar fechaduras de automóveis congeladas (posição II, máx. 60°C) (utilize o bico redutor)

★ descongelar frigoríficos (não danifique a caixa de plástico)

★ degelar degraus e pavimentos cobertos de gelo

- Modelar tubos plásticos

- utilize o bico reflector J

- encha o tubo de areia e vede-o em ambas as extremidades para evitar que dobre

- aqueça uniformemente o tubo deslocando-o de um lado para o outro

OUTROS EXEMPLOS DE APLICAÇÃO:

★ modelagem de todos os plásticos com um ponto de fusão baixo (polietileno, PVC, etc.)

★ modelagem de todos os plásticos com um ponto de fusão alto (vidro acrílico, Plexiglas, etc.)

★ modelagem e dobragem de ladrilhos feitos de fibras sintéticas

★ modelagem e dobragem de madeira (construção de modelos)

- Soldagem de plásticos

- a costura a soldar deve estar limpa e sem qualquer gordura

- mantenha a haste de soldar perto da costura a soldar e aplique calor até a haste de soldar ficar pegajosa

- retire o calor quando a costura a soldar estiver cheia

OUTROS EXEMPLOS DE APLICAÇÃO:

★ reparação de pranchas de surf, esquis e outros equipamentos desportivos sintéticos (utilize o bico redondo H)

★ soldagem de materiais PVC

★ alisamento de bolhas após a colagem de etiquetas em PVC

★ junção de mangueiras de jardim (utilize o bico reflector J)

- Secagem

! seque utilizando apenas a opção de temperatura baixa ou média (posição I ou II) e com uma distância aumentada entre a ferramenta e a peça a trabalhar

- secagem de tinta, verniz, gesso, argamassa e estuque

- secagem de madeira húmida antes da aplicação de aparelho

- secagem rápida de aparelho ou adesivo aplicado em camada grossa

- secagem de juntas de construção antes da pulverização de isolamento ou vedantes

- secagem de juntas e fissuras na construção naval

- Limpeza/desinfecção

- desinfecção de coelheiras, pombais, etc. (retire primeiro os animais)

- combate a colónias de formigas

- combate ao bicho da madeira e ao escaravelho

(mantenha a ferramenta a uma distância adequada relativamente à madeira)

- eliminação de ervas daninhas

## MANUTENÇÃO / SERVIÇO

- Esta ferramenta não se destina a utilização profissional

- Nunca utilize líquidos facilmente inflamáveis para limpar a pistola de ar quente em geral e a saída do ar/bico da ferramenta em particular
- Mantenha a ferramenta e o fio sempre limpos (especialmente as ranhuras de respiração F ②)
- Se a ferramenta falhar apesar de cuidadosos processos de fabricação e de teste, a reparação deverá ser executada por uma oficina de serviço autorizada para ferramentas eléctricas SKIL
  - envie a ferramenta **sem desmontar**, juntamente com a prova de compra, para o seu revendedor ou para o centro de assistência SKIL mais próximo (os endereços assim como a mapa de peças da ferramenta estão mencionados no [www.skil.com](http://www.skil.com))
- Não se esqueça de que os danos provocados por sobrecarga ou manuseamento incorrecto da ferramenta estão excluídos da garantia (para mais informações sobre as condições da garantia da SKIL, consulte [www.skil.com](http://www.skil.com) ou pergunte ao seu revendedor)

## AMBIENTE

- **Não deite ferramentas eléctricas, acessórios e embalagem no lixo doméstico** (apenas para países da UE)
  - de acordo com a directiva europeia 2012/19/CE sobre ferramentas eléctricas e electrónicas usadas e a transposição para as leis nacionais, as ferramentas eléctricas usadas devem ser recolhidas em separado e encaminhadas a uma instalação de reciclagem dos materiais ecológica
  - símbolo ⑤ lhe avisará em caso de necessidade de arranja-las

1

## Pistola termica 8020/8040

### INTRODUZIONE

- Questo utensile serve per sverniciare, per la formatura e la saldatura della plastica, e per il riscaldamento di tubi restringitivi al calore; esso serve anche per la saldatura e la stagnatura, per lo scioglimento di giunti adesivi e lo disgelo di tubi dell'acqua
- Questo utensile non è inteso per un uso professionale
- Leggete e conservate questo manuale di istruzione ③

### DATI TECNICI ①

### ELEMENTI UTENSILE ②

- A** Interruttore di acceso/spento
- B** Pulsanti per l'impostazione della temperatura (8040)
- C** Pulsanti per impostare il flusso dell'aria (8040)
- D** Display (LCD) (8040)
- E** Anello di rilascio ugello
- F** Feritoie di ventilazione
- G** Ugello di protezione dal vetro
- H** Ugello rotondo
- J** Ugello riflettore
- K** Ugello di riduzione
- L** Uscita/ugello aria
- M** Manopola graduata (8020)
- N** Pulsante per il salvataggio in memoria (8040)
- P** Pulsante per la selezione della memoria (8040)

## SICUREZZA

### NOTE GENERALI

- **Questo utensile può essere utilizzato da bambini a partire dagli 8 anni di età, da persone con limitate capacità fisiche, sensoriali o mentali e da persone con scarsa conoscenza ed esperienza, purché siano sorvegliati da una persona responsabile della loro sicurezza o siano stati istruiti in merito all'impiego sicuro dell'utensile e ai relativi pericoli (in caso contrario sussiste il rischio di utilizzo errato e di lesioni)**
- **Sorvegliare i bambini** (in questo modo viene assicurato che i bambini non giocano con l'utensile)
- **La pulizia e la manutenzione dell'utensile da parte di bambini non deve avvenire senza sorveglianza**

### PRIMA DELL'USO

- Controllare il funzionamento dell'utensile prima di ogni volta che si deve usare, in caso di un difetto, farlo riparare immediatamente da una persona qualificata; non aprire mai l'utensile da se stessi
- Esaminare il cavo dell'utensile e della spina prima dell'uso e, se danneggiato, farli sostituire da una persona qualificata
- Usare cavi di prolunga completamente srotolati e sicure con una capacità di 16 Amp
- Non usare mai l'utensile se il cavo è danneggiato; farlo sostituire dal produttore, un centro assistenza autorizzato o personale similmente qualificato, al fine di evitare pericoli.
- Usare l'utensile ed i suoi accessori secondo questo manuale di istruzioni e nel modo inteso per l'utensile; l'utilizzo dell'utensile per operazioni diverse da quelle normalmente previste per l'uso dell'utensile, potrebbe causare delle situazioni pericolose
- Controllare che la tensione dell'alimentazione sia la stessa di quella indicata sulla targhetta dell'utensile
- Assicurarsi che l'utensile sia spento quando si inserisce alla rete

### DURANTE L'USO:

- Maneggiare l'utensile con cura; prevenire incendi e scottature
  - non toccare l'uscita/ugello dell'aria e l'oggetto riscaldato; questi diventano estremamente scottanti

- non tenere l'uscita/ugello dell'aria troppo vicino all'oggetto in lavorazione
- non dirigere il flusso dell'aria calda verso la stessa superficie troppo a lungo
- non guardare mai dentro l'uscita/ugello
- portare guanti di protezione ed occhiali di sicurezza
- non dirigere mai il flusso dell'aria scottante verso persone o animali
- non usare mai l'utensile per asciugare i capelli
- non lasciare l'utensile incustodito
- non usare mai l'utensile nelle vicinanze di gas o materiali infiammabili (**rischio d'esplosione**)
- quando si lavora con la plastica, vernice e simili materiali, si potrebbero produrre dei gas infiammabili e velenosi; informarsi prima il tipo di materiale su cui lavorare
- fare attenzione che il calore può essere trasferito a materiali infiammabili fuori vista
- per misura di sicurezza, tenere un secchio d'acqua oppure un estintore a portata di mano, in caso qualche materiale si incendia
- Prevenire scosse elettriche
  - non infilare mai niente nell'uscita/ugello dell'aria
  - evitare il contatto del corpo con superfici collegate a massa (es. tubi, radiatori, stufe, frigoriferi)
  - assicurarsi l'utensile non venga bagnato
  - non usare l'utensile in posti umidi
  - quando usato all'esterno, collegare l'utensile ad un interruttore automatico di rete (FI) con una corrente di scatto di 30 mA massimo, ed usare solamente il cavo di prolunga inteso per uso esterno e munito di una presa antispruzzo
- Maneggiare il cavo con cura
  - tenere sempre distante il cavo dal flusso dell'aria scottante e dall'uscita/ugello dell'aria
  - tenere il cavo distante dal calore, dall'olio e da bordi taglienti
  - non trasportare l'utensile tenendolo per il cavo, e non tirare il cavo per scollegare la spina
  - non sospendere l'utensile dal cavo
- Non usare mai l'utensile assieme a solventi chimici
- Assicurarsi che l'area di lavoro sia ventilata adeguatamente
- Tenere l'area di lavoro pulita e ben illuminata
- Rimanere all'erta; fare attenzione a ciò che si sta facendo, usare buon senso e non adoperare l'utensile quando si è stanchi
- Prendere una posizione sicura; non sporgersi, specialmente da una scala e impalcature
- Assicurarsi che l'utensile sia spento, prima di metterlo da parte
- Nel caso di cattivo funzionamento elettrico o meccanico, spegnete subito l'utensile e staccate la spina

#### DOPO L'USO:

- poggiare l'utensile a terra sul retro in posizione verticale
- Spegnete l'utensile e togliete la spina dalla presa di corrente
- Lasciare che l'utensile si raffreddi per almeno 30 minuti prima di conservarlo
- Non conservare/lasciare l'utensile all'esterno
- Conservare l'utensile in un posto asciutto e chiuso a chiave, distante dalla portata dei bambini

#### SPIEGAZIONE DEI SIMBOLI PRESENTI SULL'UTENSILE

- ③ Leggere il manuale di istruzioni prima dell'uso
- ④ Doppio isolamento (non è necessario alcun cavo di terra)

- ⑤ Non gettare l'utensile tra i rifiuti domestici

## USO

- L'interruttore On/Off con settaggi di temperatura ⑥
  - ! **controllare che l'interruttore A ② sia alla posizione "0" prima di inserire la spina**
  - accendere l'utensile spingendo l'interruttore A nella posizione desiderata
  - 8020**
    - I = 50°C, flusso aria 350 litri/minuto
    - II = 450°C, flusso aria 350 litri/minuto
    - III = 600°C, flusso aria 500 litri/minuto
  - 8040**
    - I = 50°C + flusso aria 250-500 litri/minuto
    - II = 50°C ... 650°C, flusso aria 250-500 litri/minuto
  - quando si usa per la prima volta, del fumo potrebbe uscire dall'utensile; questo è normale e subito cesserà
  - spegnere l'utensile spingendo l'interruttore A alla posizione "0"
- Impostazione temperatura
  - ! **c'è una tolleranza sulle temperature indicate**
  - 50...90°C: max 90°C**
  - meno di 300°C: ±20%**
  - Più di 300°C: ±10%**
  - 8020**
    - usare la manopola graduata M per selezionare l'impostazione di temperatura desiderata
    - utilizzare la tabella ⑥ come riferimento
  - 8040 ⑦**
    - impostare la temperatura di arrivo desiderata con incrementi da 10°C premendo brevemente i pulsanti B
    - la pressione dei pulsanti B aumenta/riduce costantemente la temperatura di arrivo finché non si rilasciano i pulsanti oppure si raggiunge la temperatura minima/massima
    - una volta impostata la temperatura target, il display D visualizza le frecce lampeggianti fino a quando non verrà raggiunta la temperatura desiderata (solo in posizione "II")
    - la temperatura di arrivo viene memorizzata nelle memoria dell'utensile, in modo che ad ogni accensione l'utensile si riscalda fino all'ultima temperatura di arrivo selezionata
- Impostazioni del flusso dell'aria ⑧ (8040)
  - impostare il flusso dell'aria desiderato con incrementi di 50 l/m premendo brevemente i pulsanti C
  - il display D visualizza il flusso dell'aria corrente in un grafico a barre
- Impostazione memoria ⑨ (8040)
  - per selezionare una delle quattro impostazioni di memoria memorizzate, premere il pulsante P
  - per salvare un'impostazione per la temperatura e per il flusso dell'aria premere il pulsante P per selezionare una posizione di memoria, impostare la temperatura e il flusso dell'aria desiderati, quindi tenere premuto il pulsante N per salvare l'impostazione
- Uso generale
  - determinare la giusta temperatura facendo delle prove su una parte nascosta del pezzo da lavorare; iniziare con un livello di settaggio basso della temperatura
  - la temperatura diminuisce man mano che la distanza tra l'uscita/ugello dell'aria ed il pezzo da lavorare aumenta

- la temperatura richiesta dipende da materiale da lavorare
- Uso stazionari ⑩
  - poggiare l'utensile a terra sul retro in posizione verticale
  - assicurarsi che la superficie sia pulita e senza polvere; l'aria inquinata danneggia il motore
  - assicurarsi che il flusso dell'aria sia diretto lontano da se stessi
  - fissare il cavo per impedire che tiri giù l'utensile
  - non toccare l'uscita/ugello dell'aria
  - assicurarsi che non cada niente nell'uscita/ugello
  - tenere cautamente l'utensile con una mano mentre lo si spegne con l'altra mano, e poi lasciarlo raffreddare
- Tenuta e guida dell'utensile ⑪
  - tenere l'utensile con una mano
  - tenere scoperte le feritoie di ventilazione F ②
- Accessori standard ②
  - ugello G di protezione dal vetro (per deviare il flusso dell'aria)
  - ugello tondo H (per concentrazione flusso dell'aria)
  - ugello riflettore J (per riflessione del flusso dell'aria)
  - ugello di riduzione K (per concentrare il flusso dell'aria)

#### NOTE:

- tutti gli esempi delle applicazioni (**eccetto la sverniciatura dalle finestre**) possono essere effettuate senza accessori; tuttavia, usando l'appropriato accessorio semplifica il lavoro e migliora significativamente la qualità dei risultati
- quest'utensile può essere utilizzato anche in combinazione con gli accessori disponibili per pistole termiche
- Montaggio/smontaggio degli accessori
  - montare semplicemente l'accessorio sull'uscita dell'aria L ②
  - togliere l'accessorio tirandolo via verso la parte anteriore dopo che si è raffreddato
- ! **montare un accessorio solo quando l'uscita dell'aria si è raffreddata, quando l'interruttore è alla posizione "0" e quando la spina è scollegata**
- utilizzare l'anello di rilascio dell'ugello E per rimuovere con semplicità gli ugelli caldi ⑫
- Controllo costante del calore (protezione da sovraccarico)
  - Protegge l'elemento di riscaldamento da danni quando l'utensile si sovraccarica senza doverlo fermare e/o lasciarlo raffreddare per un periodo di tempo
  - quando la temperatura diventa troppo alta, l'elemento di riscaldamento si spegne, mentre il motore continua a girare e produce aria fredda
  - quando la temperatura si è abbassata sufficientemente (in appena pochi secondi), l'elemento di riscaldamento si accende automaticamente
- ! **quando l'utensile viene spento dopo aver lavorato ad alte temperature e viene riacceso dopo una breve pausa, può essere necessario aspettare che l'elemento di riscaldamento raggiunga la temperatura desiderata**

## CONSIGLIO PRATICO

- Rimozione di vernice/lacca ⑬
  - usare un raschiatoio pulito e tagliente
  - quando la vernice si ammorbidisce, raschiare con fermezza

- sperimentare per stabilire il tempo necessario per applicare il calore per ottenere ottimi risultati
- raschiare immediatamente la vernice ammorbidita, altrimenti si indurirebbe nuovamente
- mantenere un angolo di 30° a 40° tra l'utensile ed il pezzo in lavorazione
- togliere immediatamente la vernice ed i detriti dal raschiatoio per impedire che si incendiano
- raschiare nella direzione del grano del legno, dovunque possibile
- non dirigere il flusso dell'aria calda verso la stessa superficie troppo a lungo
- smaltire con sicurezza tutti i detriti di vernice
- pulire accuratamente l'area di lavoro dopo aver completato il lavoro

**! fare attenzione quando si rimuovono strati di vernice di vecchia data in edifici vecchi; in passato l'edificio potrebbe essere stato verniciato con vernice che conteneva piombo, che è altamente velenoso**

**! esposizione anche a piccoli livelli di piombo potrebbe causare seri danni al sistema nervoso e cerebrali; bambini piccoli e ancora nati sono particolarmente vulnerabili**

**! far eliminare vernice a base di piombo da una persona specializzata senza l'uso della pistola termica**

#### ALTRO ESEMPIO DI APPLICAZIONI:

- ★ rimozione di parati (sintetici) da pareti
- Rimozione di vernice/lacca da finestre ⑭
  - usare **sempre** ugello di protezione da vetro G quando si lavora nelle vicinanze di vetri
  - togliere la vernice con un raschiatori a mano
  - ! **non usare l'utensile per rimuovere vernice da finestre con telai di metallo; il metallo è conduttore di calore e potrebbe causare la rottura del vetro**
- Rimozione di adesivi (usare l'ugello rotondo H) ⑮
  - molti adesivi si ammorbidiscono col calore consentendo di separare gli attacchi di adesivi e la rimozione degli stessi
  - ! **applicare il calore sulla parte superiore degli adesivi**
  - ! **aver sempre cura di non surriscaldare la superficie sottostante**
- ALTRI ESEMPI DI APPLICAZIONI:
- ★ rimozione di linoleum e vinili dai pavimenti
- ★ rimozione di 'mattonelle' di moquette di fibra sintetica
- ★ rimozione/applicazione di strisce di impiallacciatura
- ★ ammorbidimento/scioglimento di catrame, stagno, bitume, cera (usare l'ugello rotondo H)
- ★ applicazione di cera (sci, mobili) (usare ugello di protezione da vetro G) ⑯
- ★ rimozione di resina
- ★ allentamento di viti di metallo arrugginite/serrate troppo forte, dadi e bulloni
- ★ rimozione di cera da candele (**non surriscaldare la superficie sottostante**)
- ★ riparazione candele rotte/restauro delle candele storte per riportarle alla loro forma originale
- Avvolgimento con pellicole retrattili ⑰
  - usare l'ugello riflettore J oppure quello di riduzione K
  - selezionare un tubo di avvolgimento di pellicola retrattili con un diametro adatto a quello del pezzo di lavorazione

- riscaldare uniformemente il tubo di pellicola retrattile
- ALTRIO ESEMPIO DI APPLICAZIONI:
- ★ avvolgimento con pellicole retrattili
- Saldatura dei tubi dell'acqua (18)
- Questo utensile è molto adatto per lavorare con stagno morbido (punto di fusione inferiore a 400°)
- usare l'ugello riflettore J
- pulire accuratamente entrambe le sezioni di giuntura prima della saldatura
- riscaldare entrambe le sezioni ed applicare il filo dello stagno (**non usare il fillo dello stagno a base di piombo**)
- Disgelo di tubi dell'acqua congelati (19)
- usare l'ugello riflettore J
- riscaldare l'area congelata in modo pari
- ! i tubi dell'acqua spesso sono difficili da distinguere dai tubi del gas; riscaldare i tubi del gas è estremamente pericoloso - rischio d'esplosione**

#### ALTRI ESEMPI DI APPLICAZIONI:

- ★ disgelo di tubi dell'acqua di PVC (**posizione II, max. 60°C**)
- ★ disgelo di serratura di automobili congelati (**posizione II, max. 60°C**) (usare l'ugello di riduzione)
- ★ decongelamento di congelatori (**non usare sedi di plastica**)
- ★ disgelo di scalini e marciapiedi coperti di ghiaccio
- Formatura dei tubi di plastica
- usare l'ugello riflettore J
- riempire il tubo di sabbia e sigillarlo ad entrambe le estremità, onde evitare piegatura del tubo
- riscaldare il tubo in mod pari muovendo da un lato all'atro

#### ALTRI ESEMPI DI APPLICAZIONI:

- ★ formatura di tutta la plastica a basso punto di fusione (polietilene, PVC ecc.)
- ★ formature di tutta la plastica con un alto punto di fusione (vetro acrilico, Plexiglass, ecc.)
- ★ formature e piegatura di "mattonelle" di moquette prodotte con fibra sintetica
- ★ formature e piegatura del legno (costruzione di modelli)
- Saldatura della plastica
- la linea di saldatura deve essere pulita e priva di grasso
- tenere la bacchetta di saldatura vicino alla linea di saldatura ed applicare il calore, fino a quando la bacchetta di saldatura diventa appiccicosa
- togliere il calore, una volta che la linea di saldatura si è riempita

#### ALTRI ESEMPI DI APPLICAZIONI:

- ★ riparazioni di tavole per surfing, sci ed altri oggetti sintetici sportivi (usare l'ugello rotondo H)
- ★ saldatura di materiali in PVC
- ★ liscioamento i blister dopo aver applicato l'etichetta
- ★ collegamento di tubi flessibili da giardino (usare l'ugello riflettore J)
- Essiccazione
- ! essiccare solamente ad impostazione di bassa o media temperatura (posizione I o II) e con un aumento di distanza tra l'utensile ed il pezzo in lavorazione**
- essiccamento di vernice, gypsum, calce e intonaco
- essiccamento di legno bagnato prima del riempimento

- essiccamento rapido di materiale di riempimento o adesivi applicati abbondantemente
- essiccamento tra i giunti di uno stabile prima di applicare isolamento o sigillante
- essiccamento giunti e lesioni nella costruzione di barche
- Pulire/disinfettare
- disinfezione gabbie di conigli, colombaie ecc. (**togliere prima l'animale**)
- eliminazione colonie di formiche
- eliminazione di tarli e scarafaggi da legno (**tenere l'utensile ad una distanza adeguata dal legno**)
- eliminazione di erbacce

## MANUTENZIONE / ASSISTENZA

- Questo utensile non è inteso per un uso professionale
- Non usare mai liquidi facilmente infiammabili per pulire la pistola termica in generale e l'uscita/ugello in particolare
- Tenete sempre puliti utensile e cavo (soprattutto le feritoie di ventilazione F (2))
- Se nonostante gli accurati procedimenti di produzione e di controllo l'utensile dovesse guastarsi, la riparazione va fatta effettuare da un punto di assistenza autorizzato per gli elettrooutensili SKIL
- inviare l'utensile **non smontato** assieme alle prove di acquisto al rivenditore oppure al più vicino centro assistenza SKIL (l'indirizzo ed il disegno delle parti di ricambio dell'utensile sono riportati su [www.skil.com](http://www.skil.com))
- Si tenga presente che eventuali danni causati da sovraccarico o da un utilizzo improprio dell'utensile verranno esclusi dalla garanzia (per le condizioni di garanzia SKIL, visitare il sito [www.skil.com](http://www.skil.com) o contattare il proprio rivenditore)

## TUTELA DELL'AMBIENTE

- **Non gettare l'elettrooutensile, gli accessori e l'imballaggio con i rifiuti domestici** (solo per Paesi UE)
- secondo la Direttiva Europea 2012/19/CE sui rifiuti di utensili elettrici ed elettronici e la sua attuazione in conformità alle norme nazionali, gli elettrooutensili esausti devono essere raccolti separatamente, al fine di essere reimpiegati in modo eco-compatibile
- il simbolo (5) vi ricorderà questo fatto in fase di smaltimento

H

Hőlégtűvő

8020/8040

## BEVEZETÉS

- Ez a szerszám festékek eltávolítására, műanyagok formázására és hegesztésére, és hőtől zsugorodó csövezetek melegítésére készült; továbbá alkalmas forrasztásra, önozásra, ragasztott kötések meglazítására, és vízvezetékek jégtelenítésére
- A szerszám nem professzionális használatra készült
- Olvassa el figyelmesen és őrizze meg a használati utasítást (3)

## MŰSZAKI ADATOK (1)

## SZERSZÁMGÉP ELEMEI ②

- A Be/ki kapcsológomb
- B Nyomógombok a hőmérséklet beállításához (8040)
- C A légáramlás intenzitását szabályozó gombok (8040)
- D Kijelző (LCD) (8040)
- E Fűvókaszabályzó gyűrű
- F Szellőzőnyílások
- G Üvegvédő fűvóka
- H Kerek fűvóka
- J Reflektor fűvóka
- K Csökkentő fűvóka
- L Légkífúvó nyílás/ fűvóka
- M Szabályozótárcsa (8020)
- N Memóriatárolás gomb (8040)
- P Memóriaválasztás gomb (8040)

## BIZTONSÁG

### ÁLTALÁNOS TUDNIVALÓK

- **Ezt a készüléket legalább 8 éves gyerekek és olyan személyek is használhatják, akiknek a fizikai, érzékelési, vagy értelmi képességeik korlátozottak, vagy nincsenek meg a megfelelő tapasztalataik, illetve tudásuk, ha az ilyen személyekre a biztonságukért felelős más személy felügyel, vagy a készülék biztonságos kezelésére kioktatta őket és megértették az azzal kapcsolatos veszélyeket (ellenkező esetben fennáll a hibás működés és a sérülés veszélye)**
- **Ügyeljen a gyerekekre (ez biztosítja, hogy a gyerekek ne játszhassanak a szerszámmal)**
- **A készülék tisztítását és karbantartását gyerekek felügyelet nélkül nem végezhetik**

### HASZNÁLAT ELŐTT:

- Minden használat előtt ellenőrizze, hogy helyesen működik-e a szerszám, és amennyiben meghibásodást észlel, azonnal forduljon szakképzett szerelőhöz, ön soha ne nyissa ki
- Minden alkalommal vizsgálja meg a csatlakozóvezetékét és a dugót, és amennyiben sérült, szakképzett szerelővel cseréltesse ki

- Használjon teljesen letekert és biztonságos hosszabbítókábel, 16 A-es teljesítménnyel
- Soha ne használja a szerszámot, ha a kábel sérült; a kockázatok elkerülése érdekében ilyen esetben azt a gyártónak, szervizelését végző ügynöknek vagy hasonló képesítéssel rendelkező személynek szabad csak kicserélnie.
- A szerszámot és tartozékait kizárólag ezen használati utasítás alapján használja, és csak rendeltetésük szerint; olyan műveletek, melyek a szerszám normális használatától eltérőek, veszélyes helyzetet eredményezhetnek
- Mindig ellenőrizze, hogy a hálózati feszültség megegyezik-e a szerszám adattábláján feltüntetett értékkel
- Győződjön meg róla, hogy a gépet ki legyen kapcsolva mielőtt a hálózati csatlakozóba bedugja

### HASZNÁLAT KÖZBEN:

- Óvatosan bánjon a szerszámmal, ezzel elkerülheti a tűz és égésveszélyt
  - ne érintse meg a légkífúvó nyílást és a melegített tárgyakat, mivel ezek rendkívül felforrósodnak
  - ne tartsa a légkífúvó nyílást túl közel a megmunkálandó tárgyhoz
  - ne irányítsa a forró levegőt túl sokáig ugyanarra a felületre
  - ne nézzen bele a légkífúvó nyílásba
  - viseljen védőkesztyűt és védőszemüveget
  - ne irányítsa a forró légsugarat személyek vagy állatok felé
  - ne használja a szerszámot hajszáritásra
  - ne hagyja őrizetlenül a szerszámot
  - ne használja a szerszámot gyúlékony gázok, vagy más könnyen égő anyagok közelében (**robbanásveszély**)
  - amikor műanyaggal, festékkel, lakkal és más hasonló anyagokkal dolgozik gyúlékony és mérgező gázok keletkezhetnek, ezért előzetesen tanulmányozza az anyagokat, melyekkel dolgozni kíván
  - vegye figyelembe, hogy olyan tárgyakra is áttérjedhet a hő, melyek a látókörén kívül esnek
  - a biztonság kedvéért mindig legyen kéznél egy vödör víz, vagy egy tűzoltó készülék, arra az esetre ha tűz keletkezne
- Előzze meg az áramütést
  - ne piszkáljon bele semmivel a légkífúvó nyílásba
  - kerülje el a földelt tárgyakkal való testzárlatot (pl.: csövek, radiátorok, tűzhelyek, hűtőgépek)
  - gondoskodjon róla, hogy a szerszám ne legyen nedves
  - ne használja a szerszámot nyirkos környezetben
  - amennyiben szabadban használja a szerszámot (FI), 30 mA indítóáramú hibaáram megszakítón keresztül csatlakozzon a hálózathoz, és csak olyan hosszabbító vezetékét használjon, mely szabadtéri használatra készült, és freccsenő víz ellen védett csatlakozójelzata van
- Óvatosan bánjon a vezetékkel
  - mindig tartsa a vezetékét távol a forró légáramtól és a légkífúvó nyílástól
  - tartsa távol a vezetékét hőtől, olajtól és éles peremektől
  - ne szállítsa a szerszámot a vezetéken lógatva, és ne rántsa meg a vezetékét amikor a csatlakozójelzatról akarja kihúzni
  - ne lógassa a szerszámot a vezetékénél fogva
- Soha ne használja a szerszámot vegyi oldószerekkel együtt

- Gondoskodjon róla, hogy a munkavégzés légtere megfelelően szellőzött legyen
- Tartsa tisztán és jól megvilágítva a munkaterületet
- Orizze meg éberségét, figyeljen oda, hogy mit csinál, használja a józan ítélőképességét, és ne használja a szerszámot ha fáradt
- Biztonságos pózban dolgozzon, ne hajoljon át semmin, különösen ha létrán vagy állványon dolgozik
- Ellenőrizze, hogy a szerszám ki van-e kapcsolva mielőtt félreteszi
- Normálístól eltérő működés valamint szokatlan, idegen hangok esetén a készüléket azonnal kapcsolja ki és a kábelt húzza ki a fali dugaszoló aljzatból

#### HASZNÁLAT UTÁN:

- helyezze a szerszámot a hátsó felére függőleges helyzetben
- Kapcsolja ki a gépet és húzza ki a csatlakozódugót
- Legalább 30 percig várjon, hogy lehűljön a szerszám mielőtt elcsomagolja
- Ne tárolja/hagyja kültéri a szerszámot
- A szerszám száraz és zárt helyen tárolja, ahol gyermekek nem férhetnek hozzá

#### A SZERSZÁMON TALÁLHATÓ SZIMBÓLUMOK MAGYARÁZATA

- ③ Használat előtt olvassa el a használati utasítást
- ④ Kettős szigetelés (földelvezeték nem szükséges)
- ⑤ A gépet ne dobja a háztartási szemétkébe

## KEZELÉS

- Be/ki kapcsoló hőmérséklet állással ⑥  
**! ellenőrizze, hogy az A ② kapcsoló "0" állásban legyen mielőtt bedugja a készüléket**
- a készülék bekapcsolása az A kapcsolónak a kívánt helyzetbe állításával történik:  
**8020**  
I = 50°C, légáram 350 liter/perc  
II = 450°C, légáram 350 liter/perc  
III = 600°C, légáram 500 liter/perc  
**8040**  
I = 50°C + légáram 250-500 liter/perc  
II = 50°C ... 650°C, légáram 250-500 liter/perc
- első használatkor némi füstöt bocsát ki a készülék, ez nem rendellenes és hamarosan megszűnik
- a készülék kikapcsolása az A kapcsoló "0" helyzetbe állításával történik
- Hőmérsékletbeállítás  
**! a megadott hőmérsékletek toleranciaküszöbvel rendelkeznek**  
**50...90 °C: legfeljebb 90 °C**  
**kevesebb mint 300 °C: ±20%**  
**több mint 300 °C: ±10%**
- 8020**
- a szabályozótárcsa M segítségével válassza ki a kívánt hőmérsékletet
- használja a táblázatot ⑥ referenciaként
- 8040 ⑦**
- a nyomógomb B rövid megnyomásával 10°C-os léptékben állítsa be a kívánt célhőmérsékletet
- a gomb nyomvatartásával B a hőmérséklet folyamatosan emelkedik/csökken mindaddig, amíg el nem engedni a nyomógombot, vagy amíg a hőmérséklet el nem éri a minimum/maximum értéket

- a hőmérsékleti célérték beállítását követően, a kijelzőn D villogó nyilak lesznek láthatóak a kívánt hőmérséklet eléréséig (csak „II” pozícióban)
  - a célhőmérséklet eltárolódik a szerszám memóriájában, így a szerszám minden újbóli bekapcsolásakor a legutoljára választott hőmérsékletre melegszik fel
  - Légáramlás intenzitásának a szabályozása ⑧(8040)
  - a nyomógombok C rövid megnyomásával 50 l/perces lépésekben állíthatja be a kívánt légáramlást
  - a kijelzőn D oszlopdiagram mutatja az aktuális légáramlás beállítását
  - Memóriabeállítás ⑨ (8040)
  - A négy tárolt memóriabeállítás egyikének kiválasztásához nyomja meg a(z) P gombot
  - a hőmérséklet és levegőáramlás beállításának tárolásához nyomja meg a(z) P gombot, hogy kiválassza a memóriahelyet, ezt követően állítsa be a kívánt hőmérsékletet és légáramlást, majd nyomja le és tartsa lenyomva az N gombot a beállítások elmentéséhez
  - Általános használat
  - úgy határozhatja meg a helyes hőmérsékletet, hogy kipróbálja a munkadarab egy kevésbé feltűnő részén; az alacsonyabb hőmérsékletű állással kezdje
  - a hőmérséklet egyre csökken ahogy a távolság a légfúvó nyílás és a munkadarab között nő
  - a szükséges hőmérséklet a megmunkálandó anyagtól függ
  - Álló használat ⑩
  - helyezze a szerszámot a hátsó felére függőleges helyzetben
  - gondoskodjon róla, hogy a felület tiszta és pormentes legyen, mert a szennyezett levegő rongálja a motort
  - gondoskodjon róla, hogy a légáram iránya öntől távolodó legyen
  - rögzítse a vezetékét, mellyel elkerüli, hogy az lehúzza a szerszámot
  - ne érintse meg a légfúvó nyílást
  - gondoskodjon róla, hogy semmi ne eshessen bele a légfúvó nyílásba
  - óvatosan tartsa a szerszámot az egyik kezében, míg a másikkal kikapcsolja, aztán engedje kihűlni
  - A gép vezetése és tartása ⑪
  - egy kézzel tartsa a szerszámot
  - a szellőzőnyílásokat F ② mindig tartsa szabadon
  - Szabványos tartozékok ⑫
  - G üvegvédő fúvóka (a légáram telereléséhez)
  - kerek fúvófej H (a légáram sűrítéséhez)
  - J reflektor fúvóka (a légáram visszaveréséhez)
  - K csökkentő fúvóka (a légáram sűrítéséhez)
- MEGJEGYZÉSEK:**
- minden alkalmazási példa **(kivéve festék eltávolítása ablakokról)** elvégezhető a tartozékok nélkül; mindazonáltal a megfelelő tartozék használata leegyszerűsíti a munkát, és jelentősen javítja az eredményességet
  - ez a szerszám is használható kombinációban általában elérhető tartozékok hőlégfúvó
  - Tartozékok felszerelése és eltávolítása
  - egyszerűen illeszse a tartozékot a légfúvóra L ⑫
  - a tartozékot úgy távolíthatja el, hogy kihűlés után lehúzza a készülékről

**! tartozékok felszerelése közben a kifúvó mindig legyen kihűlt állapotban, a hálózati kapcsoló "0" állásban, és a hálózati csatlakozó legyen kihúzva a konnektorból**

- használja a lazítógyűrűt E a forró fűvókák levételének megkönnyítése céljából <sup>(12)</sup>

- **Folyamatos hő-ellenőrzés (túlterhelés elleni védelem)**  
Ha a szerszám túlterhelésnek van kitéve megvédi a fűtőelemet a sérüléstől, anélkül hogy le kellene állítani és/vagy megvárni amíg kihűl
  - amikor túlságosan megnő a hőmérséklet a fűtőelem kikapcsolja magát, miközben a motor tovább működik és hideg levegőt termel
  - amikor a hőmérséklet megfelelő szintre csökken (ez csak egy pár másodpercet vesz igénybe) akkor a fűtőelem automatikusan bekapcsol
- ! ha a szerszámot magas hőmérsékleten végzett tevékenység után lekapcsolja, majd kis idő elteltével újra bekapcsolja, eltelhet némi idő, míg a fűtőelem eléri a kívánt hőfokot**

## HASZNÁLAT

- **Festék/lakk eltávolítása <sup>(13)</sup>**
  - használjon tiszta, éles kaparót
  - határozott mozdulatokkal kaparja a festéket miután az fellágyult
  - kísérletezze ki, hogy mennyi ideig kell a hőt alkalmazni az optimális eredmény eléréséhez
  - azonnal kaparja le a fellágyult festéket, mielőtt újra megszilárdulna
  - a szerszámot 30-40 fokok szögben tartsa a munkadarabhoz képest
  - azonnal távolítsa el a kaparóról a festék hulladékokat, nehogy meggyulladjon
  - kaparjon a fa erzetének irányában ahol csak ez lehetséges
  - ne irányítsa a forró levegőt túl sokáig ugyanarra a felületre
  - biztonságos helyre dobja ki a festék hulladékokat
  - alaposan tisztítsa meg a munkaterületet miután befejezte a munkát
- ! óvatos legyen amikor régi épületekben távolítja el a festékrétegeket, mert a múltban sokszor ólomtartalmú festéket használtak, mely rendkívül mérgező**
- ! akár kis mennyiségű ólom is komoly agyi és idegrendszeri károsodást okozhat; fiatal gyermekekre és születendő gyermekekre különösen veszélyes**
- ! ólomtartalmú festéket csak szakember távolítson el, hőpisztoly használata nélkül**
- PÉLDÁK EGYÉB ALKALMAZÁSRA:**
  - ★ (szintetikus) falburkolat eltávolítása
- **Festék/lakk eltávolítása ablakokról <sup>(14)</sup>**
  - **mindig** használja az G üvegvédő fűvókát amikor üveg közelében dolgozik
  - kézi kaparóval távolítsa el a festéket
- ! ne használja a szerszámot festék eltávolítására fémeresztő ablakokról, mivel a fém jó hővezető és a túlmelegedés az üveg törését eredményezheti**
- **Cimkék eltávolítása (használja a H kerek fűvókát) <sup>(15)</sup>**
  - sok ragasztó lágyul a hőtől, amivel lehetővé válik a ragasztó kötés szétválasztása és a fölösleges ragasztó eltávolítása

**! a címkéket a felső szélükön kezdje melegíteni ! mindig figyeljen oda, hogy ne hevítse túl azt a felületet amire a címkét ragasztották**

**PÉLDÁK EGYÉB ALKALMAZÁSRA:**

- ★ linóleum és PVC padlók eltávolítása
- ★ szálás műanyagból készült padlószőnyeg burkolólapok eltávolítása
- ★ furnér eltávolítása/furnérlemezek felragasztása
- ★ kátrány, bádog, bitumen és viasz lágyítása/olvasztása (használja a H kerek fűvókát)
- ★ viaszolás (silécek, bútorok) (használja az G üvegvédő fűvókát) <sup>(16)</sup>
- ★ gyanta eltávolítása
- ★ berozsdásodott/túl szoros fém csavarok, és anyáscsavarok meglazítása
- ★ gyertyaviasz eltávolítása (**ne hevítse túl az alatta lévő felületet**)
- ★ törött gyertyák megjavítása/elhajlott gyertyák visszaállítása eredeti alakjukra
- **Zsugorító illesztés <sup>(17)</sup>**
  - használja a J reflektor fűvókát, vagy a K csökkentő fűvókát
  - válasszon olyan zsugorítóval illesztett csövet, melynek az átmérője megegyezik a munkadarabéval
  - egyenletesen melegítse fel a zsugorítóval illesztett csövet

**PÉLDÁK EGYÉB ALKALMAZÁSRA:**

- ★ zsugorító csomagolás
- **Vízvezeték csövek forrasztása <sup>(18)</sup>**

A szerszám lágyforrasztással való munkához (olvasdopont 400 fok alatt) alkalmas legjobban

  - használja a J reflektor fűvókát
  - alaposan tisztítsa meg mindkét illeszteni kívánt szelvényt a forrasztás előtt
  - melegítse elő mindkét szelvényt és alkalmazzon forrasztóhuzalt (**ne használja ólomtartalmú forrasztóhuzalt**)
- **Befagyott vízvezetékek felolvasztása <sup>(19)</sup>**
  - használja a J reflektor fűvókát
  - egyenletesen melegítse fel a fagyott területet
- ! a vízvezeték csöveket gyakran nehéz megkülönböztetni a gázvezeték csövektől; a gázcsövek melegítése rendkívül veszélyes - robbanásveszély**
- PÉLDÁK EGYÉB ALKALMAZÁSRA:**
  - ★ PVC-ből készült vízvezeték csöveket felolvasztása (II helyzet , max. 60°C)
  - ★ befagyott autózárak felolvasztása (II helyzet , max. 60°C) (használja a csökkentő fűvókát)
  - ★ fagyasztók leolvasztása (**ne rongálja meg a műanyag házat**)
  - ★ jéggel borított lépcsők és járdák felolvasztása
- **Műanyag csövek alakítása**
  - használja a J reflektor fűvókát
  - töltsd meg homokkal a csövet és zárja le mindkét végén, ezzel megakadályozza a cső kihajlását
  - egyenletesen melegítse a csövet, minden oldalról
- PÉLDÁK EGYÉB ALKALMAZÁSRA:**
  - ★ minden alacsony olvadáspontú műanyag alakítása (polietilén, PVC, stb.)
  - ★ minden magas olvadáspontú műanyag alakítása (akrilüveg, plexi, stb.)
  - ★ szálás műanyagból készült padló burkolólapok alakítása és hajlítása



## Horkovzdušné pistole 8020/8040

### ÚVOD

- Tento nástroj je určen k odstraňování nátěrů, tvarování a svařování plastů a k zahřívání žárově smršťovacích trubek; nástroj je také vhodný k pájení a cinování, uvolňování lepených spojů a odmrazování vodovodních trubek
- Tento nástroj není určen k profesionálnímu použití
- Tento návod s pokyny si pečlivě přečtěte a uschovejte ③

### TECHNICKÁ DATA ①

### SOUČÁSTI NÁSTROJE ②

- A Spínač "zapnuto/vypnuto"
- B Tlačítka pro nastavení teploty (8040)
- C Tlačítka k nastavení proudu vzduchu (8040)
- D Displej (LCD) (8040)
- E Kroužek pro uvolnění trysky
- F Větrací štěrbiny
- G Tryska pro ochranu skla
- H Kulatá tryska
- J Odrážková tryska
- K Redukční tryska
- L Výstup vzduchu/vzduchová tryska
- M Otočný volič (8020)
- N Tlačítko pro uložení do paměti (8040)
- P Tlačítko pro výběr položky v paměti (8040)

### BEZPEČNOST

#### OBECNĚ

- **Tento nástroj mohou používat děti od 8 let a osoby s omezenými fyzickými, smyslovými nebo duševními schopnostmi nebo nedostatečnými zkušenostmi a vědomostmi pouze tehdy, pokud na ně dohlíží osoba zodpovědná za jejich bezpečnost nebo pokud je tato osoba instruovala ohledně bezpečného zacházení s nástrojem a chápou nebezpečí, která jsou s tím spojená (v opačném případě hrozí nebezpečí nesprávné obsluhy a zranění)**
- **Dohlížejte na děti (tím bude zajištěno, že si děti s nástrojem nehrají)**

- ★ fa alakítása és hajlítása (modellek építése)
- Műanyagok hegesztése
  - a hegesztési varrat tiszta és zsírmentes legyen
  - a hegesztőpálcát tartsa közel a hegesztési varrhoz és addig irányítsa rá hőt amíg a hegesztőpálca nem tapad - hagyja abba a hőfúvást amikor a varrat feltöltődött
- PÉLDÁK EGYÉB ALKALMAZÁSRA:
- ★ szóródeszkák, silécek és más műanyag sporteszközök javítása (használja a H kerek fúvókát)
- ★ PVC anyagok hegesztése
- ★ felhőgyagosodás kisimítása PVC címkék ragasztása után
- ★ kerti öntözőcsövek csatlakoztatása (használja a J reflektor fúvókát)
- Szárítás
  - ! **csak az alacsony vagy közepes hőmérséklet állásban (I vagy II helyzet) használja a készüléket szárításra, és tartsa a szokásosnál távolabb a készüléket a munkadarabtól**
  - festék, lakk, gipsz, vakolat és gipszvakolat szárítása
  - nedves faanyag szárítása pórústömítés előtt
  - vastagon alkalmazott tömítés vagy ragasztás gyors szárítása
  - épületcsatlakozások szárítása szigetelés vagy tömítőanyag fecskendezését megelőzően
  - csatlakozások és repedések szárítása hajóépítésnél
- Tisztítás/fertőtlenítés
  - nyúlólak, galambdúcok, stb. fertőtlenítése (**az állapotok előtte vegyük ki**)
  - hangyabolyhok kiirtása
  - faférgek és szúró rovarok kiirtása (**tartsa a szerszámot megfelelő távolságban a fától**)
  - gyomirtás

### KARBANTARTÁS / SZERVIZ

- A szerszám nem professzionális használatra készült
- Ne használjon gyűlékony folyadékokat a hősíztoly tisztítására, és különösen nem a légfúvó tisztítására
- Mindig tartsa tisztán a gépet és a vezetéket (különös tekintettel a szellőzőnyílásokra F ②)
- Ha a gép a gondos gyártási és ellenőrzési eljárás ellenére egyszer mégis meghibásodna, akkor a javítással csak SKIL elektromos kéziszerszám-műhely ügyfélszolgálatát szabad megbízni
  - küldje az **összeszerelt** gépet a vásárlást bizonyító számlával együtt a kereskedő vagy a legközelebbi SKIL szervizállomás címére (a címlista és a gép szervizdiagramja a [www.skil.com](http://www.skil.com) címen található)
- Vegye figyelembe, hogy a garancia nem fedei le a túlterhelés és a gép helytelen használata miatt okozott károkat (a SKIL garanciális feltételeit elolvashatja a [www.skil.com](http://www.skil.com) oldalon, vagy kérdezze meg kereskedőjét)

### KÖRNYEZET

- **Az elektromos kéziszerszámokat, tartozékokat és csomagolást ne dobja a háztartási szemétkébe (csak EU-országok számára)**
  - a használt villamos és elektronikai készülékekről szóló 2012/19/EK irányelv és annak a nemzeti jogba való átültetése szerint az elhasznált elektromos kéziszerszámokat külön kell gyűjteni, és környezetbarát módon újra kell hasznosítani
  - erre emlékeztet a ⑤ jelzés, amennyiben felmerül az intézkedésre való igény

## • Čištění a údržba nástroje dětmi se nesmí dít bez dohledu

### PŘED POUŽITÍM:

- Před každým použitím zkontrolujte funkčnost nástroje a v případě poruchy jej dejte ihned opravit kvalifikovanou osobou; nástroj nikdy sami neotvírejte
- Před každým použitím zkontrolujte šňůru nástroje a zástrčku a v případě poškození je dejte vyměnit kvalifikovanou osobou
- Používejte zcela rozvinutá a bezpečně prodlužovací šňůry o kapacitě 16 ampér
- Nikdy nástroj nepoužívejte, je-li jeho přívodní šňůra poškozená, bude ji nutno nechat vyměnit výrobcem, servisním střediskem nebo jinou oprávněnou osobou, abyste zamezili riziku.
- Používejte nástroj a jeho příslušenství v souladu s tímto návodem a způsobem určeným pro tento nástroj; používání nástroje pro jiné úkony než ty, jejichž provádění se u tohoto nástroje běžně předpokládá, může vést k nebezpečným situacím
- Vždy zkontrolujte, zda je napájecí napětí stejné jako napětí uvedené na typovém štítku nástroje
- Přesvědčete se, zda je nástroj při zapojování do zásuvky vypnutý

### BĚHEM POUŽITÍ:

- Zacházejte s nástrojem opatrně; dbejte na prevenci proti požárům a popáleninám
  - nedotýkejte se výstupu vzduchu/vzduchové trysky a zahříváního předmětu; zahřívají se na velmi vysoké teploty
  - nedržte výstup vzduchu/vzduchovou trysku příliš blízko předmětu, na kterém pracujete
  - nesměřujte proud horkého vzduchu příliš dlouho na stejné místo povrchu
  - nikdy se nedívejte do výstupu vzduchu/vzduchové trysky
  - noste ochranné rukavice a používejte bezpečnostní brýle
  - nikdy neměřte proudem horkého vzduchu proti osobám a zvířatům
  - nikdy nástroj nepoužívejte k sušení vlasů
  - nenechávejte nástroj bez dozoru
  - nikdy nástroj nepoužívejte v blízkosti vznětlivých plynů nebo hořlavých materiálů (**nebezpečí výbuchu**)
  - při práci s plasty, nátěry, laky nebo podobnými materiály mohou vznikat vznětlivé a jedovaté plyny; předem se informujte o materiálech, na kterých budete pracovat
  - berte v úvahu, že teplo se může přenášet na hořlavé materiály mimo vade zorné pole
  - pro jistotu mějte po ruce kbelík vody nebo hasicí přístroj pro případ vznícení nějakého materiálu
- Předcházejte elektrickému šoku
  - nikdy nic nestrkejte do výstupu vzduchu/vzduchové trysky
  - vyhýbejte se tělesnému kontaktu s uzemněnými povrchy (např. trubkami, radiátory, sporáky, chladničkami)
  - zajistěte, aby nástroj nenavlnul
  - nepoužívejte nástroj ve vlhkých místech
  - při venkovním použití zapojte nástroj přes jistič poruchového proudu (FI) se spouštěcím proudem max.

30 mA, a používejte pouze takovou prodlužovací šňůru, která je určena pro venkovní použití a je vybavena spojovací zásuvkou chráněnou proti střikající vodě

- Se šňůrou zacházejte opatrně
  - udržujte šňůru vždy mimo proud horkého vzduchu a výstup vzduchu/vzduchovou trysku
  - udržujte šňůru tak, aby nebyla v kontaktu se žárem, olejem a ostrými hranami
  - nepřeházejte nástroj za šňůru a při odpojování nástroje ze zásuvky za šňůru netahejte
  - nezavěšujte nástroj za šňůru
- Nikdy nástroj nepoužívejte ve spojení s chemickými rozpouštědly
- Přesvědčete se, zda je pracovní oblast řádně větraná
- Udržujte pracovní oblast čistou a dobře osvětlenou
- Buďte ostražití, dávejte pozor na to, co děláte, používejte zdravý rozum a nepracujte s nástrojem, když jste unavení
- Zajíměte bezpečný postoj; nenatahujte se příliš dopředu, hlavně na žebřících a schodech
- Před odložením nástroje se přesvědčete, zda je vypnutý
- V případě atypického chování nebo cizích hluků ihned vypněte nářadí a vytáhněte zástrčku

### PO POUŽITÍ:

- postavte nástroj ve vzpřímené poloze na jeho zadní část
- Vypněte nástroj a odpojte ze zásuvky
- Před uložením nechejte nástroj alespoň 30 minut vychladnout
- Nástroj neskladujte/nenechávejte venku
- Nástroj skladujte na suchém a uzamčeném místě mimo dosah dětí

### VYSVĚTLENÍ SYMBOLŮ NA NÁŘADÍ

- ③ Před použitím si přečtěte návod k použití
- ④ Dvojité izolace (není nutný zemnicí drát)
- ⑤ Nářadí nevyhazujte do komunálního odpadu

## OBSLUHA

- Spínač zapnuto/vypnuto s nastavením teplot ⑥
  - ! před zapojením do sítě se přesvědčete, zda je spínač A ② v poloze "0"
  - zapněte nástroj posunutím spínače A do požadované polohy:
    - 8020**
      - I = 50°C, proud vzduchu 350 litrů/minutu
      - II = 450°C, proud vzduchu 350 litrů/minutu
      - III = 600°C, proud vzduchu 500 litrů/minutu
    - 8040**
      - I = 50°C + proud vzduchu 250-500 litrů/minutu
      - II = 50°C ... 650°C, proud vzduchu 250-500 litrů/minutu
  - při prvním použití může z nástroje vycházet trochu kouře; je to normální a brzy to přestane
  - vypněte nástroj posunutím tlačítka A do polohy "0"
- Nastavení teploty
  - ! u uvedených teplot existují tolerance
  - 50–90 °C: max. 90 °C**
  - méně než 300 °C: ±20 %**
  - více než 300 °C: ±10 %**
- 8020**
  - pomocí otočného voliče M vyberte požadované nastavení teploty
  - postupujte podle tabulky ⑥
- 8040 ⑦**
  - nastavte požadovanou cílovou teplotu v krocích po 10°C krátkým tisknutím tlačítek B

- tisknutí tlačítek B plynule zvyšuje nebo snižuje cílovou teplotu, dokud tlačítka nepřestanete tisknout nebo není dosaženo minimální/maximální teploty
  - po nastavení požadované teploty se na displeji D zobrazí blikající šipky, dokud se nedosáhne požadované teploty (pouze v poloze „II“)
  - cílová teplota se uloží v paměti nástroje, proto se při každém zapnutí nástroj zahřeje na poslední nastavenou cílovou teplotu
  - Nastavení proudu vzduchu ⑧ (8040)
    - nastavte požadovaný proud vzduchu v krocích po 50 l/min krátkým stisknutím tlačítek C
    - displej D ukazuje ve sloupcovém grafu aktuální nastavení proudu vzduchu
  - Nastavení paměti ⑨ (8040)
    - chcete-li vybrat jednu ze čtyř položek nastavení uloženou v paměti, stiskněte tlačítko P
    - chcete-li uložit nastavení teploty a proudu vzduchu, stiskněte tlačítko P, abyste zvolili umístění v paměti, nastavte požadovanou teplotu a proud vzduchu a toto nastavení uložte stisknutím a podržením tlačítka N
  - Obecné použití
    - na nenápadné části obrobku zjistíte provedením zkoušky správnou teplotu; začnete nastavením na nízkou teplotu
    - teplota klesá s rostoucí vzdáleností mezi výstupem vzduchu/vzduchovou tryskou a obrobkem
    - požadovaná teplota závisí na materiálu, se kterým pracujete
  - Stacionární použití ⑩
    - postavte nástroj ve vzpřímené poloze na jeho zadní část
    - přesvědčete se, zda je povrch čistý a zbavený prachu; znečištěný vzduch poškozuje motor
    - přesvědčete se, zda proud vzduchu směřuje od vás
    - zajistěte šňůru tak, aby nedošlo ke stažení nástroje
    - nedotýkejte se výstupu vzduchu/vzduchové trysky
    - dbejte na to, aby do výstupu vzduchu/vzduchové trysky nic neupadlo
    - opatrně držte nástroj jednou rukou a druhou rukou jej vypněte, pak jej nechejte vychladnout
  - Držení a vedení nástroje ⑪
    - držte nástroj jednou rukou
    - udržujte větrací štěrbinu F ② nezakryté
  - Standardní příslušenství ⑫
    - tryska G pro ochranu skla (pro odklonění proudu vzduchu)
    - kulatá tryska H (pro koncentraci proudu vzduchu)
    - odrazová tryska J (pro odrážení proudu vzduchu)
    - redukční tryska K (pro koncentraci proudu vzduchu)
- POZNÁMKY:**
- všechny způsoby použití (**kromě odstraňování nátěru z oken**) lze provádět bez příslušenství; použití vhodného příslušenství však usnadňuje práci a značně zlepšuje kvalitu výsledku
  - tento nástroj je možné používat s běžně dostupným příslušenstvím pro horkovzdušné pistole
  - Nasazení/odstranění příslušenství
    - jednoduše nasad'te příslušenství na výstup vzduchu L ②
    - příslušenství odstraňte jeho sundáním z přední části, ale až po vychladnutí
- ! příslušenství nasazujte pouze tehdy, když je výstup vzduchu studený, když je spínač v poloze "0" a když je zástrčka odpojená**

- abyste mohli snadno sejmut horké hubice, použijte kroužek pro uvolnění hubice E ⑫
  - Konstantní regulace teploty (ochrana proti přetížení)
    - Chrání topný článek před poškozením v případě přetížení nástroje bez nutnosti jeho vypnutí a/nebo určité doby chladnutí
    - když teplota stoupne příliš vysoko, topný článek se sám vypne, zatímco motor dále běží a produkuje studený vzduch
    - když teplota dostatečně klesne (což trvá pouze několik vteřin), topný článek se opět automaticky zapne
- ! když nástroj vypnete poté, co jste pracovali s nastavenou vysokou teplotou, a pak jej po krátké přestávce znovu zapnete, může chvíli trvat, než topný prvek dosáhne požadované teploty**

## NÁVOD K POUŽITÍ

- Odstraňování nátěru/laku ⑬
    - používejte čistou, ostrou škrabku
    - když nátěr změkne, důkladně jej oškrábejte
    - experimentujte za účelem stanovení doby působení tepla potřebné k dosažení optimálních výsledků
    - změkly nátěr oškrábejte ihned, jinak opět ztvrdne
    - mezi nástrojem a obrobkem udržujte úhel 30° to 40°
    - ze škrabky ihned odstraňte barvu a třísky, aby nedošlo k jejich vznícení
    - škrábejte pokud možno po textuře dřeva
    - nesměřujte proud horkého vzduchu příliš dlouho na stejné místo povrchu
    - bezpečně zlikvidujte všechny zbytky nátěru
    - po ukončení práce důkladně uklidte pracoviště
  - **! při odstraňování vrstev nátěrů ve starých budovách buďte opatrní; budovy mohly být v minulosti natřeny barvou obsahující olovo, které je vysoce jedovaté**
  - **! vystavení třeba jen nízkým hladinám olova může způsobit závažné poruchy mozku a nervového systému; zvláště náchylné jsou malé a nenarozené děti**
  - **! nátěr na bázi olova nechejte odstranit odborníkem bez použití horkovzdušné pistole**
- DALŠÍ PŘÍKLAD POUŽITÍ:**
- ★ odstraňování (syntetického) povlaku zdi
  - Odstraňování nátěru/laku z oken ⑭
    - při práci vedle skla **vždy** používejte trysku pro ochranu skla G na ochranu skla
    - odstraňte nátěr ruční dkrabkou
- ! nepoužívejte nástroj k odstraňování nátěru z oken s kovovými rámy; kov vede teplo, které by mohlo způsobit roztržštění skla**
- Odstraňování nálepek (použijte kulatou trysku H) ⑮
    - Kulatá tryska
    - mnohá lepidla po zahřátí změknou, čímž umožní oddělení lepených spojů a odstranění přebytečného lepidla
- ! nálepku shora nahřejte**
- ! vždy dbejte na to, aby nedodlo k přehřátí podkladového povrchu**
- DALŠÍ PŘÍKLADY POUŽITÍ:**
- ★ odstraňování linolea a vinylových podlahových krytin
  - ★ odstraňování podlahových čtverců vyrobených ze syntetických vláken
  - ★ odstraňování obkladů/aplikace obkladových pásů

- ★ změkčování/rozpouštění dehtu, cinu, živíc, vosku (použijte kulatou trysku H)
- ★ voskování (lyže, nábytek) (použijte trysku pro ochranu skla G) <sup>16</sup>)
- ★ odstraňování pryskyřice
- ★ uvolňování zrezivělých/příliš utažených kovových šroubů, matic a svorníků
- ★ odstraňování svíčkového vosku (**nepřehřívejte podkladový povrch**)
- ★ opravování zlomených svíček/obnova původního tvaru ohnutých svíček
- Smršťování <sup>17</sup>)
  - použijte odrazovou trysku J nebo redukční trysku K
  - vyberte smršťovací trubku o průměru odpovídajícím průměru obrobku
  - smrdřovací trubku rovnoměrně zahřejte
- DALŠÍ PŘÍKLAD POUŽITÍ:
  - ★ balení do smršťovacích obalů
- Pájení vodovodních trubek <sup>18</sup>)
 

Tento nástroj je nejvhodnější pro práci s měkkými pojidly (bod tavení do 400°)

  - použijte odrazovou trysku J
  - před pájením důkladně vyčistěte obě spojované části - obě části přehřejte a naneste pájecí drát (**nepoužívejte pájecí drát na bázi olova**)
- Rozmrazení zamrzlých vodovodních trubek <sup>19</sup>)
  - použijte odrazovou trysku J
  - rovnoměrně zahřejte zamrzlé místo

**! vodovodní trubky lze často jen obtížně rozlít od plynového potrubí; zahřátí plynového potrubí je krajně nebezpečné – riziko výbuchu**
- DALŠÍ PŘÍKLADY POUŽITÍ:
  - ★ rozmrazování vodovodních trubek vyrobené z PVC (**poloha II, max. 60°C**)
  - ★ rozmrazování zamrzlých automobilových zámek (**poloha II, max. 60°C**) (použijte redukční trysku )
  - ★ odmrazování mrazáků (**nepoškodte plastový pláďt**)
  - ★ rozmrazování zledovatělých schodů a chodníků
- Tvarování plastových trubek
  - použijte odrazovou trysku J
  - naplňte trubku pískem a na obou koncích utěsněte, aby nedošlo k jejímu zkroucení
  - pohybem ze strany na stranu trubku rovnoměrně zahřejte
- DALŠÍ PŘÍKLADY POUŽITÍ:
  - ★ tvarování všech plastů s nízkým bodem tavení (polyetylen, PVC atd.)
  - ★ tvarování všech plastů s vysokým bodem tavení (akrylové sklo, plexisklo atd.)
  - ★ tvarování a ohýbání kerbovcových čtverců vyrobených ze syntetických vláken
  - ★ tvarování a ohýbání dřeva (stavba modelů)
- Svařování plastů
  - svarový dev musí být čistý a zbavený mastnoty
  - přidržíte svařovací elektrodu blízko dvou a nechejte žár účinkovat, dokud se svařovací elektroda nezačne lepit - když se svarový šev zaplní, odložte žár
- DALŠÍ PŘÍKLADY POUŽITÍ:
  - ★ opravy surfových prken, lyží a jiného syntetického sportovního zboží (použijte kulatou trysku H)
  - ★ svařování PVC materiálů
  - ★ vyhlazování bublin po nalepení nálepek z PVC
  - ★ spojování zahradních hadic (použijte odrazovou trysku J)

- Sušení
  - ! sušení provádějte vždy při nastavení nízkého nebo středního teplotního stupně (poloha I nebo II) a při větší vzdálenosti mezi nástrojem a obrobkem**
  - sušení nátěrů, laku, sádry, malty a omítky
  - sušení vlhkého dříví před přiložením
  - rychlé sušení silně naneseného pojiva nebo lepidla
  - sušení stavebních spojů před nástřikem izolace nebo tmelu
  - sušení spojů a trhlin při stavbě lodí
- Čištění/dezinfekce
  - dezinfekce králíkáren, holubníků atd. (**zvířata nejprve přeasuňte na jiné místo**)
  - boj s koloniemi mravenců
  - boj s červotoči a dřevokazným hmyzem (**držte nástroj v dostatečné vzdálenosti od dřeva**)
  - odstraňování plevele

## ÚDRŽBA / SERVIS

- Tento nástroj není určen k profesionálnímu použití
- K čištění horkovzdušné pistole obecně a především k čištění výstupu vzduchu/vzduchové trysky nikdy nepoužívejte snadno hořlavé kapaliny
- Nástroj a přírodní šňůru udržujte čisté (zejména větrací štrbiny F <sup>2</sup>)
- Pokud dojde i přes pečlivou výrobu a náročnou kontrolu k poruše nástroje, světe provedení opravy autorizovanému servisnímu středisku pro elektronářadí firmy SKIL
  - zašlete nástroj **nerozebraný** spolu s potvrzením o nákupu své prodejny nebo nejbližšímu servisu značky SKIL (adresy a servisní schéma nástroje najdete na [www.skil.com](http://www.skil.com))
- Uvědomte si, že na poškození nástroje způsobené přetížením nebo nesprávným zacházením se nevztahuje záruka (záruční podmínky společnosti SKIL najdete na adrese [www.skil.com](http://www.skil.com) nebo se obraťte na prodejce)

## ŽIVOTNÍ PROSTŘEDÍ

- **Elektrické nářadí, doplňky a balení nevyhazujte do komunálního odpadu** (jen pro státy EU)
  - podle evropské směrnice 2012/19/EG o nakládání s použitými elektrickými a elektronickými zařízeními a odpovídajících ustanovení právních předpisů jednotlivých zemí se použitá elektrická nářadí, musí sbírat odděleně od ostatního odpadu a podrobit ekologicky šetrnému recyklování
  - symbol <sup>5</sup>) na to upozorňuje

TR

Isitma tabancasi

8020/8040

## GİRİŞ

- Bu cihaz, sathlardaki boyanın kazınması, plastik malzemelerin biçimlendirilmesi ve birleştirilmesinin yanı sıra ısı ile büzüşen hortum bağlantılarında malzemenin ısıtılmasında kullanılmak amacıyla tasarlanmıştır; tüm bunlara ek olarak cihaz, lehleme ve kalaylama işlemlerinde, birbirine yapışmış ek yerlerini ayırmada ve dommuş şu boruların buzunu çözmede de kullanılabilir
- Bu alet profesyonel kullanıma yönelik değildir
- Bu kullanma kılavuzunu okuyun ve saklayın <sup>3</sup>)

## TEKNİK VERİLER ①

### ALET BİLEŞENLERİ ②

- A Açma/kapama şalteri
- B Sıcaklık ayar düğmeleri (8040)
- C Hava akışı ayar düğmeleri (8040)
- D Ekran (LCD) (8040)
- E Nozul salma halkası
- F Havalandırma yuvaları
- G Cam koruma nozul
- H Yuvarlak nozul
- J Reflektör nozul
- K Redüksiyon nozul
- L Hava çıkışı/nozul
- M Döner kadran (8020)
- N Hafızaya kaydetme düğmesi (8040)
- P Hafıza seçim düğmesi (8040)

## GÜVENLİK

### GENEL

- **Bu alet 8 yaşından itibaren çocuklar ve fiziksel, duyuşal veya zihinsel yetenekleri sınırlı ve yeterli deneyim ve bilgiye sahip olmayan kişiler tarafından ancak denetim altında veya aletin güvenli kullanımı hakkında aydınlatıldıkları ve bu kullanıma bağılı tehlikeleri kavradıkları takdirde kullanılabilir (aksi takdirde hatalı kullanım ve yaralanma tehlikesi vardır)**
- **Çocuklara göz kulak olun (bu yolla çocukların aletle ile oynamasını önleyebilirsiniz)**
- **Aletin temizliği ve bakımı çocuklar tarafından denetimsiz biçimde yapılamaz**

### KULLANMADAN ÖNCE:

- Her kullanim öncesinde cihazın çalışmasını kontrol edin, herhangi bir arıza durumunda, hiç vakit kaybetmeden yetkili servis personeli tarafından onarılmasını sağlayın, cihazı kesinlikle kendiniz açmaya çalışmayın
- Cihazın kordonunu ve fişini her kullanım öncesinde inceleyin ve hasar gören kısımların yetkili servis personeli tarafından değiştirilmesini sağlayın
- Tamamen kursuz ve güvenli 16 Amp uzatma kabloları kullanın
- Aleti asla kablo hasarlıyken kullanmayın; bir tehlikenin önlenmesi için kablounun üretici, servis temsilcisi veya benzer niteliklere sahip kişiler tarafından değiştirilmesi gerekir.

- Cihazı ve aksesuarlarını el kitabında açıklanan yönergelere uygun olarak ve yalnızca tasarlandığı amaç doğrultusunda kullanın; cihazın normal olarak kendisinden gerçekleştirilmesi beklenen işlemlerin dışındaki işlemlerde kullanılması, çok tehlikeli sonuçlara neden olabilir
  - Güç geriliminin, aletin özellik plakasında belirtilen voltaj değeriyle aynı olduğunu sık sık kontrol edin
  - Fişe takarken aletin kapalı olduğundan emin olun
- ### KULLANIM SIRASINDA:
- Cihazı dikkatli kullanın, kolaylıkla yangına veya yaralanmalara neden olabileceğinizi unutmayın
    - işlem sırasında aşırı ısındıklarından, hava çıkışı/püskürtme ucuna ve ısıtılan nesneye kesinlikle temas etmeyin
    - hava çıkışı/püskürtme ucunu üzerinde işlem yapılan nesneye çok yaklaştırmayın
    - sıcak havayı aynı yüzeye doğru çok uzun süreyle tutmayın
    - cihaz çalışırken hava çıkışı/püskürtme ucuna doğru kesinlikle bakmayın
    - cihazı kullanırken eldiven giyin ve koruyucu gözlük takın
    - cihazdan çıkan sıcak havayı kesinlikle insanlara veya hayvanlara doğru tutmayın
    - cihazı hiçbir zaman saç kurutmak için kullanmayın
    - çalışan cihazın başından ayrılmayın
    - yanıcı gaz veya parlayıcı malzemenin bulunduğu yerlerde cihazı kesinlikle çalıştırmayın (**patlama tehlikesi**)
    - plastik, vernik ve benzeri malzemeyle çalışırken, işlemin özelliği nedeniyle yanıcı ve zehirli gaz oluşabilir, üzerinde çalışılacak malzeme hakkında önceden bilgi edinmeniz gerekli tedbirleri almanıza yardımcı olacaktır
    - ısının hava yoluyla iletilerek çevredeki görünmeyen yanıcı malzemeleri etkileyebileceğini unutmayın
    - etraftaki malzemelerden herhangi birinin alev alması olasılığına karşı, cihazın kullanıldığı yerde bir kova su veya bir yangın söndürücü bulundurun
  - Elektriksel şoka neden olabilecek durumlardan kaçının
    - hava çıkışı/püskürtme ucundan içeri doğru hiçbir nesne sokmayın
    - topraklanmış yüzeylere (boru, radyatör, fırın ve buzdolabı gibi) dokunmayın
    - cihazın suyla veya başka bir sıvıyla temas etmemesine dikkat edin
    - nemli ortamlarda cihazı kullanmayın
    - açık havada kullanırken, cihazı maksimum 30 mA tetikleyici akımı olan bir hatalı akım (FI) devre kesicisine bağlayın ve yalnızca açık havada kullanıma uygun ve su geçirmez ara prizi olan bir uzatma kablosu kullanın
  - Cihaz kablosuna dikkat edin
    - kabloya doğrudan sıcak hava tutmayın ve hava çıkışı/püskürtme ucunu hiçbir zaman kabloya dokundurmayın
    - kordonu yüksek ısıdan, yağdan ve sivri cisimlerden uzak tutun
    - cihazı kordonundan tutarak taşımayın, cihazın fişini prizden çekerken kordonu kullanmayın, fişten tutun
    - cihazı kordonundan bir yere asmayın
  - Cihazı hiçbir zaman kimyasal çözücülerle birlikte kullanmayın
  - Çalışma alanının yeterli derecede havalandırıldığından emin olun
  - Çalışma alanının temiz ve iyi aydınlatılmış olmasını sağlayın

- Çalışırken dikkatli ve uyanık olun, ne yaptığınızı dikkat edin, mantıklı davranın ve yorgunken cihazı kullanmayın
- Sabit ve sağlam bir çalışma yeriniz olsun, özellikle merdiven ve basamaklarda uzanma hareketlerinden kaçının
- Cihazı üzerinde çalışılan malzemeden uzaklaştırmadan önce mutlaka kapatın
- Elektriksel veya mekaniksel hatalı çalışma durumunda aleti hemen kapatın ve fişi çekin

#### KULLANIMDAN SONRA:

- cihazı arka tarafı üstüne dik pozisyonda bir yüzeyin üstüne yerleştirin
- Aleti kapatın ve fişi prizden çekin
- Cihazı yerine kaldırmadan önce en az 30 dakika süreyle soğumaya bırakın
- Cihazı açık havada bırakmayın/depolamayın
- Cihazı, çocukların erişemeyeceği, kilitli ve kuru bir yerde saklayın

#### ALET ÜZERİNDEKİ SİMGELERİN AÇIKLAMASI

- ③ Kullanmadan önce kılavuzu okuyun
- ④ Çift yalıtım (topraklama kablosu gerekli değildir)
- ⑤ Aleti evdeki çöp kutusuna atmayın

#### KULLANIM

- Farklı sıcaklık ayarı olan açma/kapatma anahtarı ⑥  
! **cihazın fisini takmadan, A ② anahtarının "0" pozisyonunda olduğunu kontrol edin**
- A anahtarını istediğiniz pozisyona getirerek cihazı açın:  
**8020**  
I = 50°C, hava akışı 350 litre/dk  
II = 450°C, hava akışı 350 litre/dk  
III = 600°C, hava akışı 500 litre/dk  
**8040**  
I = 50°C + hava akışı 250-500 litre/dk  
II = 50°C ... 650°C, hava akışı 250-500 litre/dk
- cihaz ilk defa kullanılırken, bir miktar duman çıkabilir, bu normaldir, kısa bir süre sonra duman çıkışı durur
- A anahtarını "0" pozisyonuna getirerek cihazı kapatabilirsiniz
- Sıcaklık ayarı  
! **gösterilen sıcaklıklar tolerans içerir**  
**50...90°C: maks 90°C**  
**300°C'nin altında: ±%20**  
**300°C'nin üzerinde: ±%10**
- 8020**  
- dilediğiniz sıcaklık ayarını seçmek için döner kadranı M kullanın  
- referans işi tabloyu ⑥ kullanın
- 8040 ⑦**  
- B düğmelerine kısa kısa basarak 10°C'lik adımlarla hedef sıcaklığı ayarlayın  
- B düğmelerine sürekli basma, düğmeleri basmayı bırakana dek ya da minimum/maksimum sıcaklığa ulaşılanca dek sürekli olarak hedef sıcaklığı artırır/azaltır  
- hedef sıcaklık ayarlandıktan sonra istenen sıcaklığa ulaşılanca kadar (sadece "II" konumunda) ekranda D yanıp sönen oklar görüntülenir  
- hedef sıcaklık aletin belleğinde saklanır böylece alet her açıldığında seçilmiş olan son hedef sıcaklığına erişir
- Hava akış ayarı ⑧ (8040)  
- C düğmelerine kısa süreli basarak, 50 l/dak'lık adımlarla istenen hava akışını ayarlayın  
- ekranda D çubuk grafik şeklinde gerçek akış hızı gösterilir

- Hafıza ayarı ⑨ (8040)  
- kaydedilen dört hafıza ayarından birini seçmek için düğmeye P basın  
- bir sıcaklığı ve hava akış ayarını kaydetmek isterseniz bir hafıza yeri seçmek için düğmeye P basın, dilediğiniz sıcaklığı ve hava akışını ayarlayın ve ayarı kaydetmek için düğmeye N basılı tutun
- Genel kullanım  
- çalışılacak malzemenin küçük bir bölümü üstünde deneme yaparak doğru çalışma sıcaklığını belirleyin; tam değerden daha düşük bir sıcaklık değeriyle çalışmaya başlayın  
- hava çıkışı/püskürtme ucu ile çalışılacak malzeme arasındaki mesafe arttığında, çalışma sıcaklığı düşer  
- gerekli çalışma sıcaklığı malzeme özelliklerine bağlıdır
- Cihaz sabit durumdayken kullanım ⑩  
- cihazı arka tarafı üstüne dik pozisyonda bir yüzeyin üstüne yerleştirin  
- yüzeyin temiz ve tozsuz olmasına dikkat edin, çalıştırıldığı ortamın havasının kirli olması, motora zarar verir  
- cihazdan çıkan havanın size doğru gelmediğinden emin olun  
- cihazın kablosunu sabitleyerek, herhangi bir takılma veya çekme durumunda cihazın yerinden oynamasını veya düşmesini önleyebilirsiniz  
- hava çıkışı/püskürtme ucuna kesinlikle dokunmayın  
- hava çıkışı/püskürtme ucundan içeri herhangi bir nesnenin girmemesini sağlayın  
- cihazı bir elinizle tutarken, diğer elinizle kapatın ve soğumaya bırakın
- Aletin tutulması ve kullanılması ⑪  
- cihazı tek elinizle tutun  
- havalandırma yuvalarını F ② açık tutun
- Standart aksesuarlar ⑫  
- cam koruma nozul G (havaı yönlendirmek için)  
- yuvarlak başlık H (hava etki alanını yoğunlaştırmak için)  
- reflektör nozul J (havaı yönlendirmek için)  
- redüksiyon nozul K (hava etki alanını yoğunlaştırmak için)
- NOTLAR:  
- uygulama örneklerinin tümü (**cam yüzeyden boyu çıkarılması dışında**), herhangi bir aksesuar kullanılmadan gerçekleştirilebilir, bununla birlikte işe uygun aksesuarın kullanılması, yapılan işi kolaylaştırdığı gibi, elde edilen iş kalitesini de önemli ölçüde arttırmaktadır  
- bu alet aynı zamanda ısı tabancası için yaygın olarak kullanılan aksesuarları ile birlikte kullanılabilir
- Aksesuarların takılması/çıkarılması  
- aksesuarı, hava çıkışı ucuna L ② takın  
- cihaz yeterince soğuduktan sonra, aksesuarı öne doğru çekerek cihazdan çıkartın  
! **cihaza, yalnızca hava çıkış ucu soğukken, anahtar "0" konumundayken ve cihazın fisini takılı değilken aksesuar takın**  
- sıcak nozulları kolayca çıkartmak için nozul salma halkası E kullanın ⑬
- Sabit ısının kontrolü (aşırı yüklemeye karşı koruma)  
Isıtıcı elemanın zarar görmesini önlemek amacıyla, cihaz aşırı yüklendiğinde onu kapatmak ve/veya bir süre soğutmak zorunda kalmadan devreye giren sistem  
- çalışma sıcaklığı çok arttığında cihazdaki ısıtıcı eleman

kendi kendini devre dışı bırakır, bu arada cihazın motoru çalışmayı sürdürerek etrafa soğuk hava verir  
- çalışma sıcaklığı yeniden normale döndüğünde (birkaç saniye sonra), ısıtıcı eleman yeniden otomatik olarak devreye girer

**! yüksek sıcaklık ayarında bir süre çalıştıktan sonra alet kapatılıp kısa süre sonra yeniden açıldığında, ısıtma elemanlarının istenen sıcaklığa ulaşması biraz zaman alabilir**

## UYGULAMA ÖNERİLERİ

- Boya/cila çıkarma ⑬
  - temiz, keskin bir sistre kullanın
  - boya yumuşayınca kadar sıkıca kazıyın
  - en iyi sonucu elde etmek için yüzeye ısı uygulanması gereken süreyi ancak deneyerek belirleyebilirsiniz
  - yumuşayan boyayı hemen yüzeyden kazıyın, çok kısa sürede yeniden sertleşebilir
  - uygulama sırasında, cihaz ve çalışma yüzeyi arasında 30° - 40°'lik bir açı bırakın
  - yanmalarını önlemek amacıyla, boya ve artık maddeleri sistreden hemen temizleyin
  - boyayı tamamen kazımak için mümkün olduğu kadar fazla talaş kaldırın
  - sıcak havayı aynı yüzeye doğru çok uzun süreyle tutmayın
  - boya artıklarının tümünü güvenli bir şekilde atın
  - işi tamamladıktan sonra, çalışma yerini iyice temizleyin

**! eski binalardaki boya katmanlarını kazırken dikkatli olun, eski binalar kurşun içeren boya kullanılarak boyanmış olabilir, bu tür boyalar oldukça zehirlidir ve solunması sağlık açısından tehlike oluşturabilir**

**! çok düşük seviyede bile olsa kurşun solunması, önemli beyin ve sinir sistemi tahribatına neden olabilir, özellikle küçük çocukların ve hamile kadınların korunması gerekir**

**! kurşun esaslı boyanın daha tecrübeli bir profesyonel tarafından, mümkünse ısıtma tabancası kullanılmadan kazınmasını sağlayın**

BAŞKA BİR UYGULAMA ÖRNEĞİ:

- ★ duvar kaplaması (sentetik) kazıma
- Pencerelerden boya/cila çıkarma ⑭
  - cam yakın çalışırken **daıma** cam koruma nozulu G kullanın
  - boyayı el sistresiyle kazıyın
- ! cihazı, metal çerçeveli pencerelerdeki boyayı çıkartmak için kullanmayın; metal ısıyı ilettiğinden, işlem sırasında cam kırılabilir**
- Etiket çıkartma (H yuvarek nozulu kullanın) ⑮
  - ısıtma işlemi, yapışkanların çoğunu yumuşatarak, yapışkan bağlarının ayrılmasına ve fazla yapışkanın atılmasına olanak tanır

**! etiketi üstünden ısıtın**

**! alt yüzeyi fazla ısıtmamaya dikkat edin**

FARKLI UYGULAMA ÖRNEKLERİ:

- ★ muşamba ve marley kaplamanın sökülmesi
- ★ sentetik iplikten yapılmış halıların kaldırılması
- ★ tahta kaplama plakalarının sökülmesi/kaplanması
- ★ katran, kalay, bitüm, balmumu yumuşatma/eritme (H yuvarek nozulu kullanın)
- ★ cilalama (kayak takımları, mobilyalar) (G cam koruma nozulu kullanın) ⑯

★ reçine temizleme

★ paslı veya çok sıkıştırılmış metal vidaların, somunların ve civataların açılması

★ balmumunu yüzeyden temizleme (**alttaki yüzeyi fazla ısıtmamaya dikkat edin**)

★ kırılan/bükülen mumları orijinal şekillerine dönüştürme

- Sıcak geçme uygulamaları ⑰
  - J yansıtıcı nozulu veya K odaklayıcı nozulu kullanın
  - üzerinde çalışılan iş parçasına uygun çapta bir sıkı geçme hortumu seçin
  - ısı büzüşmeli hortumun her tarafını eşit olarak ısıtın
- BAŞKA BİR UYGULAMA ÖRNEĞİ:
  - ★ büzüştürerek sarma
- Su borularını birleştirme ⑱
  - Bu cihaz, özellikle erime noktası 400°'den daha düşük olan yumuşak lehim kullanılan işler için uygundur
  - J yansıtıcı nozulu kullanın
  - lehimleme işleminden önce, birleştirilecek olan her iki parça da iyice temizlenmelidir
  - ön ısıtmadan sonra, her iki kısma da lehim uygulayın (**kurşun içeren lehim tellerini kullanmayın**)
- Donmuş su borularının buzunu çözme ⑲
  - J yansıtıcı nozulu kullanın
  - donmuş bölgeyi homojen (ısıyı eşit biçimde yayarak) bir şekilde ısıtın

**! su borularının, gaz borularından ayırılması genelleştirilmez ve patlama tehlikesi çok yüksek olduğundan gaz borularının ısıtılması çok tehlikelidir**

FARKLI UYGULAMA ÖRNEKLERİ:

- ★ donan PVC su borularının buzunu çözme (**II pozisyonu, maks. 60°C**)
- ★ donmuş otomobil kilitlerinin açılması (**II pozisyonu, maks. 60°C**) ( odaklayıcı nozulu kullanın)
- ★ dondurucuların buzunu çözme (**plastik parçalara zarar vermektan kaçının**)
- ★ buzla kaplanan basamak ve kaldırınların buzunu çözme
- Plastik tüpleri şekillendirme
  - J yansıtıcı nozulu kullanın
  - ısıyla büzüşen tüpün şeklinin bozulmaması için içini kumla doldurun, her iki ucunu da kapatın
  - ısı büzüşmeli tüpü, bir uçtan diğerine homojen bir şekilde ısıtın

FARKLI UYGULAMA ÖRNEKLERİ:

- ★ düşük erime noktasına sahip tüm plastik malzemelerin şekillendirilmesi (polietilen, PVC, vb.)
- ★ yüksek erime noktasına sahip tüm plastik malzemelerin şekillendirilmesi (akrilik cam, pleksişglas vb.)
- ★ sentetik iplikten yapılmış halıların bükülmesi ve şekillendirilmesi
- ★ ağaçtan yapılmış cisimlerin bükülmesi ve şekillendirilmesi (model yapımı)
- Plastik cisimlere kaynak uygulama
  - kaynak noktası temiz olmalı ve yüzeyde yağ bulundurmamalıdır
  - kaynak çubuğunu birleştirme noktasına yakın tutun ve çubuk erimeye başlayana kadar ısı uygulayın
  - kaynak dikmiş yeri doldurulunca ısı uygulamayı durdurun
- FARKLI UYGULAMA ÖRNEKLERİ:
  - ★ sörf tahtalarının, kayakların ve diğer sentetik spor malzemelerinin onarılması (H yuvarek nozulu kullanın)
  - ★ PVC malzemelerin kaynak yapılması

- ★ PVC etyketyki yapıştırıldıktan sonra oluşan kabartmaların düzeltilmesi
- ★ bahçe hortumlarının birbirine bağlanması (J yansıtıcı nozulu kullanın)
- Kurutma
  - ! **kurutmayı yalnızca düşük sıcaklık veya orta ayarı (I veya II pozisyonu) kullanarak yapın ve cihaz ile is parçası arasında normalden daha fazla bir mesafe bırakın**
  - boya, vernik, alçı, harç ve siva gibi malzemelerin kurutulması
  - doldurmadan önce nemli ahşabın kurutulması
  - kalın uygulanan dolgu maddesinin veya yapıştırıcının daha çabuk kurutulması
  - yalıtım veya sızdırmazlık sağlanmadan önce ekleme yerlerinin kurutulması
  - tekne yapımında ekleme yerlerinin ve çatlakların kurutulması
- Temizleme/arındırma
  - tavşan ve güvercin yuvalarının mikroplardan arındırılması (**önce içindeki hayvanları dışarı çıkarmayı unutmayın**)
  - karınca larvalarıyla mücadele
  - tahtakurus ve tahta kurtlarıyla mücadele (**cihazı, tahta malzemenin belli bir mesafede tutun**)
  - zararlı otların temizlenmesi

## BAKIM / SERVİS

- Bu alet profesyonel kullanıma yönelik değildir
- Isıtma tabancasını temizlemek için yanıcı sıvı kullanmayın, özellikle de hava çıkışı/püskürtme nozulu
- Aleti ve kablosunu daima temiz tutun (özellikle havalandırma yuvalarını F ②)
- Dikkatli biçimde yürütülen üretim ve test yöntemlerine rağmen alet arıza yapacak olursa, onarım SKIL elektrikli aletleri için yetkili bir servise yapılmalıdır
  - aleti **ambalajıyla** birlikte satın alma belgenizi de ekleyerek satıcınıza veya en yakın SKIL servisine ulaştırın (adresler ve aletin servis şemaları [www.skil.com](http://www.skil.com) adresinde listelenmiştir)
- Aşırı yüklenme ve yanlış kullanımın aleti garanti kapsamından çıkaracağını unutmayın (SKIL garanti koşulları için [www.skil.com](http://www.skil.com) adresine bakın veya satıcınıza başvurun)

## ÇEVRE

- **Elektrikli aletlerini, aksesuarları ve ambalajları evdeki çöp kutusuna atmayın** (sadece AB ülkeleri için)
  - kullanılmış elektrikli aletleri, elektrik ve elektronik eski cihazlar hakkındaki 2012/19/EC Avrupa yönergelerine göre ve bu yönergeler ulusal hukuk kurallarına göre uyarlanarak, ayrı olarak toplanmalı ve çevre şartlarına uygun bir şekilde tekrar değerlendirmeye gönderilmelidir
  - sembol ⑤ size bunu anımsatmalıdır

- rum termokurczliwych; można go także używać do lutowania i pokrywania cyną, poluzowywania spoin klejowych oraz odmrażania rur
- Narzędzie nie jest przeznaczone do zastosowań profesjonalnych
  - Przeczytać i zachować niniejszą instrukcję obsługi ③

## DANE TECHNICZNE ①

### ELEMENTY NARZĘDZIA ②

- A Włącznik/wyłącznik
- B Przyciski do ustawiania temperatury (8040)
- C Przyciski do ustawiania strumienia powietrza (8040)
- D Wyświetlacz (LCD) (8040)
- E Pierścień zwalniający dyszy
- F Szczeliny wentylacyjne
- G Dysza chroniąca szyby
- H Dysza okrągła
- J Dysza odchylająca
- K Dysza redukcyjna
- L Wylot powietrza/dysza
- M Pokrętko (8020)
- N Przycisk do zapisywania w pamięci (8040)
- P Przycisk do wyboru pamięci (8040)

## BEZPIECZEŃSTWO

### OGÓLNE

- **To urządzenie może być użytkowana przez dzieci powyżej lat 8, przez osoby ograniczone fizycznie, emocjonalnie, lub psychicznie, a także przez osoby z niewystarczającym doświadczeniem i/lub niedostateczną wiedzą tylko w przypadku, gdy dzieci lub osoby te znajdują się pod nadzorem osoby odpowiedzialnej za ich bezpieczeństwo lub gdy zostały one poinstruowane, jak w bezpieczny sposób posługiwać się niniejszą urządzeniem i jakie ewentualne niebezpieczeństwa związane są z jej użytkowaniem (w przeciwnym wypadku istnieje niebezpieczeństwo niewłaściwego zastosowania, a także możliwość doznania urazów)**

PL

Opalarka

8020/8040

WSTĘP

- Niniejsze urządzenie służy do usuwania farby, kształtowania i zgrzewania plastiku oraz podgrzewania



- **Dzieci powinny znajdować się pod nadzorem (tylko w ten sposób można zagwarantować, że nie będą się one bawiły urządzeniem)**
- **Dzieci mogą czyścić i konserwować urządzenia jedynie pod nadzorem**

#### PRZED ROZPOCZĘCIEM PRACY:

- Sprawdzić, czy urządzenie działa prawidłowo; w przypadku uszkodzenia naprawy powinien dokonać wykwalifikowany personel techniczny; nigdy nie otwierać samemu urządzenia
- Sprawdzić przewód zasilający oraz wtyczkę; w przypadku stwierdzenia uszkodzeń winien być on wymieniony przez wykwalifikowany personel techniczny
- W przypadku korzystania z kabla przedłużającego należy zwrócić uwagę, aby był maksymalnie nawinięty na bęben oraz był przystosowany do przewodzenia prądu o natężeniu przynajmniej 16 A
- Nigdy nie należy używać narzędzia z uszkodzonym przewodem; w celu uniknięcia niebezpieczeństwa musi on zostać wymieniony przez producenta, jego przedstawiciela serwisowego lub osobę o podobnych uprawnieniach.
- Urządzenia i akcesoriów używać zgodnie z ich przeznaczeniem i wskazówkami zawartymi w niniejszej instrukcji; stosowanie niniejszego urządzenia niezgodnie z przeznaczeniem może spowodować zagrożenie
- Każdorazowo należy sprawdzać, czy napięcie zasilania jest zgodne z napięciem podanym na tabliczce znamionowej urządzenia
- Przed podłączeniem do prądu należy się upewnić, że narzędzie jest wyłączone

#### W TRAKCIE PRACY:

- W celu uniknięcia pożaru i oparzeń należy zachować niezbędne środki ostrożności
  - nie dotykać wylotu powietrza/dyszy oraz rozgrzanego przedmiotu, ulegają one bardzo silnemu nagrzananiu
  - nie zbliżać nadmiernie wylotu powietrza/dyszy do obrabianego przedmiotu
  - nie kierować zbyt długo strumienia gorącego powietrza na tę samą powierzchnię
  - nie zaglądać w wylot powietrza/dyszy
  - stosować rękawice i okulary ochronne
  - nigdy nie kierować strumienia gorącego powietrza w stronę ludzi lub zwierząt
  - nie stosować urządzenia do suszenia włosów
  - nigdy nie pozostawiać urządzenia bez nadzoru
  - nie stosować urządzenia w pobliżu gazu i innych materiałów łatwopalnych (**niebezpieczeństwo wybuchu**)
  - podczas pracy z plastikiem, farbą, lakierem i podobnymi materiałami mogą wydzielać się łatwopalne i trujące gazy; z obrabianymi materiałami należy zapoznać się przed rozpoczęciem pracy
  - pamiętać, iż nagrzanemu mogą ulec materiały łatwopalne znajdujące się poza polem widzenia
  - ze względów bezpieczeństwa przygotować wiadro z wodą lub gaśnicę na wypadek zapalenia się materiału

- Aby uniknąć porażenia prądem
  - nie wprowadzać żadnych przedmiotów do wylotu powietrza/dyszy
  - unikać dotykania powierzchni uziemionych (np. rur, grzejników, piecyków, lodówek)
  - unikać zamoczenia urządzenia
  - nie używać urządzenia w miejscach o dużej wilgotności
  - pracując na otwartym powietrzu podłączyć urządzenie za pośrednictwem wyłącznika prądu zakłóceniuowego (FI), wyzwalanego prądem o natężeniu nie przekraczającym 30 mA; używać wyłącznie specjalnego przedłużacza do pracy na otwartym powietrzu wyposażonego w bryzgoszczelne gniazdo sprężające
- Przewód należy chronić przed uszkodzeniem
  - chronić przewód zasilający przed strumieniem gorącego powietrza z wylotu/dyszy
  - trzymać przewód z dala od źródeł ciepła, oleju oraz ostrych krawędzi
  - przy przenoszeniu urządzenia nie trzymać go za przewód i nie wyszarpywać przewodu z gniazda
  - nie wieszać urządzenia na przewodzie
- Nigdy nie używać urządzenia w połączeniu z rozpuszczalnikami chemicznymi
- Sprawdzić, czy miejsce pracy jest dostatecznie wietrzne
- Dbać o porządek i dobre oświetlenie w miejscu pracy
- Zachować czujność; pracować uważnie, kierować się zdrowym rozsądkiem i nie używać urządzenia w przypadku zmęczenia
- Przyjąć bezpieczną pozycję, nie wychylać się nadmiernie, zwłaszcza podczas pracy na drabinie lub podwyższeniu
- Przed odłączeniem urządzenia sprawdzić, czy jest wyłączone
- W przypadku wadliwego działania mechanicznych lub elektrycznych elementów urządzenia, należy bezwzględnie odłączyć narzędzie i wyjąć wtyczkę

#### PO PRACY:

- ustawić urządzenie na tylnej części, w pozycji pionowej
- Wyłączyć narzędzie i wyciągnij wtyczkę z gniazdka
- Przed umieszczeniem urządzenia w miejscu jego przechowywania pozostawić je do ochłodzenia na co najmniej 30 minut
- Nie przechowywać/pozostawiać urządzenia na otwartym powietrzu
- Przechowywać urządzenia w suchym, zamkniętym pomieszczeniu z dala od dzieci

#### OBJAŚNIENIE SYMBOLI NA NARZĘDZIU

- ③ Przed użyciem przeczytaj instrukcję obsługi
- ④ Podwójna izolacja (brak uziemienia)
- ⑤ Nie wyrzucaj narzędzie wraz z odpadami z gospodarstwa domowego

#### UŻYTKOWANIE

- Wyłącznik z ustawieniami temperatury ⑥
- ! **przed podłączeniem do sieci sprawdzić, czy przełącznik A ② znajduje się w położeniu "0"**
- włączyć urządzenie przesuwając przełącznik A w odpowiednie położenie:
  - 8020**
  - I = 50°C, przepływ powietrza – 350 litrów na minutę
  - II = 450°C, przepływ powietrza – 350 litrów na minutę
  - III = 600°C, przepływ powietrza – 500 litrów na minutę

## 8040

I = 50°C + przepływ powietrza – 250-500 litrów na minutę

II = 50°C ... 650°C, przepływ powietrza – 250-500 litrów na minutę

- przy pierwszym użyciu urządzenie może wydzielać dym; jest to normalny objaw, który szybko ustaje
- wyłączyć urządzenie przesuwając przełącznik A w położenie "0"
- Ustawianie temperatury
- ! **tolerancja dla podanych temperatur wynosi**  
**50...90°C: maks. 90°C**  
**poniżej 300°C: ±20%**  
**powyżej 300°C: ±10%**

## 8020

- użyć pokrętki M, aby wybrać żądane ustawienie temperatury

- skorzystać z tabeli ⑥

## 8040 ⑦

- przy pomocy krótkich naciśnięć przycisków B ustaw żądaną temperaturę (skala zmienia się co 10°C)
- przyciskając i przytrzymując przyciski B zwiększaj/zmniejszaj żądaną temperaturę do momentu ich zwolnienia lub osiągnięcia minimalnej/maksymalnej temperatury
- po ustawieniu temperatury docelowej wyświetlacz D pokazuje migające strzałki, aż do osiągnięcia żądanej temperatury (tylko w pozycji „II”)
- poziom żądanej temperatury zostanie przechowany w pamięci narzędzia, aby za każdym razem po jego włączeniu nagrzać się do ostatnio wybranej pozycji
- Ustawienie strumienia powietrza ⑧ (8040)
- przy pomocy krótkich naciśnięć przycisków C ustaw żądany przepływ powietrza (skala zmienia się co 50 l/min)
- wyświetlacz D przedstawia faktyczne ustawienie przepływu powietrza w postaci wykresu słupkowego
- Ustawianie pamięci ⑨ (8040)
- aby wybrać jedno z czterech zapisanych ustawień pamięci, nacisnąć przycisk P
- w celu zapisania ustawienia temperatury i przepływu powietrza nacisnąć przycisk P, aby wybrać miejsce w pamięci, ustawić żądaną temperaturę i przepływ powietrza, a następnie nacisnąć i przytrzymać przycisk N, aby zapisać ustawienie
- Ogólne zasady użytkowania
- ustawić właściwą temperaturę wypróbowując urządzenie na mniej widocznej części obrabianego przedmiotu; zacząć on niskiej temperatury
- temperatura spada wraz ze wzrostem odległości pomiędzy obrabianym przedmiotem a wylotem powietrza/dyszą
- wymagana temperatura zależy od rodzaju obrabianego materiału
- Zastosowanie stacjonarne ⑩
- ustawić urządzenie na tylnej części, w pozycji pionowej
- sprawdzić, czy powierzchnia jest czysta i nie ma na niej kurzu; zanieczyszczone powietrze powoduje uszkodzenie silnika
- sprawdzić, czy strumień powietrza kierowany jest w przeciwną stronę
- zabezpieczyć przewód sieciowy w celu uniknięcia przewrócenia urządzenia
- nie dotykać wylotu powietrza/dyszy

- dopilnować, aby nic nie dostało się do wylotu powietrza/dyszy

- ostrożnie przytrzymać urządzenie jedną ręką i wyłączyć je drugą; pozostawić do ostygnięcia

- Utrzymywanie i prowadzenie narzędzia ⑪
- trzymać urządzenie jedną ręką
- szczeliny wentylacyjne F ② powinny być odkryte
- Standardowe wyposażenie ⑫
- dysza chroniąca szyby G (do odchylenia strumienia powietrza)
- dysza okrągła H (do skupiania przepływu powietrza)
- dysza odchylająca J (do zaginania strumienia powietrza)
- dysza redukcyjna K (do skupiania strumienia powietrza)

## UWAGI:

- korzystanie z akcesoriów nie jest konieczne w większości zastosowań (**z wyjątkiem usuwania farby z ram okiennych**), jednakże zastosowanie odpowiednich akcesoriów ułatwia pracę i pozwala osiągnąć lepsze wyniki
- narzędzie można również używać w połączeniu z powszechnie dostępnymi akcesoriów do opalarek
- Montaż oraz demontaż akcesoriów
- nałożyć odpowiednią dyszę na wylot powietrza L ⑬
- po ostygnięciu zdjąć dyszę, ciągnąc ją ku sobie
- ! **akcesoria instalować wyłącznie na zimny wylot powietrza, przy wyłączniku w pozycji "0" i odłączonym zasilaniu**
- użyj pierścienia zwalniającego E w celu łatwego odłączenia gorących dysz ⑭
- Kontrola konstant ogrzewania (zabezpieczenie przed przeciążeniem)
- Chroni element grzewczy przed uszkodzeniem, kiedy urządzenie jest przeciążone bez konieczności przerywania pracy i chłodzenia urządzenia
- przy nadmiernym wzroście temperatury część grzewcza ulega wyłączeniu, podczas gdy silnik pracuje dalej wytwarzając chłodne powietrze
- po dostatecznym ochłodzeniu (po kilku sekundach) element grzewczy zostanie automatycznie włączony
- ! **gdy po pracy w wysokiej temperaturze narzędzie zostanie wyłączone i szybko włączone z powrotem, osiągnięcie wymaganej temperatury przez element grzewczy może zająć nieco czasu**

## WSKAZÓWKI UŻYTKOWANIA

- Usuwanie farby lub lakieru ⑮
- stosować czystą, ostrą skrobaczkę
- zeszkrobywać po zmięknięciu farby
- w drodze kilku prób ustalić optymalny czas ogrzewania
- zeszkrobać zmiękzoną farbę zanim ponownie stwardnieje
- urządzenie trzymać pod kątem 30° do 40° w stosunku do obrabianego przedmiotu
- złączoną farbę natychmiast usunąć ze skrobaczki, aby się nie zapaliła
- jeśli to możliwe, skrobać wzdłuż słoi drewna
- nie kierować zbyt długi strumienia gorącego powietrza na tę samą powierzchnię
- w bezpieczny sposób usunąć złączoną farbę
- starannie posprzątać miejsce pracy po zakończeniu robót

! zachować ostrożność przy usuwaniu warstw farby w starych budynkach; dawniej używano farb zawierających silnie trujące ołowy

! nawet niewielkie dawki ołowiu mogą powodować poważne uszkodzenia mózgu i układu nerwowego, szczególnie u dzieci (również nienarodzonych)

! usunięcie farby zawierającej ołów zlecić wykwalifikowanemu personelowi technicznemu fachowcowi; nie stosować opalarki

PRZYKŁADY INNYCH ZASTOSOWAŃ:

★ usuwanie (syntetycznego) pokrycia ścian

- Usuwanie farby lub lakieru z ram okiennych <sup>14</sup>

- pracując przy oknach, używać **zawsze** dyszy chroniącej szyby G

- usunąć farbę ręczną skrobaczką

! nie stosować urządzenia do usuwania farby z metalowych ram okiennych, gdyż metal dobrze przewodzi ciepło, co może prowadzić do pęknięcia szyby

- Usuwanie naklejek (stosować okrągłą dyszę H) <sup>15</sup>

- wiele klejów mięknie pod wpływem ciepła, co pozwala rozdzielić sklejone elementy i usunąć resztę kleju

! podgrzewać naklejki od strony wierzchniej

! pamiętać, aby nie nagrzać zbyt mocno powierzchni pod naklejką

PRZYKŁADY INNYCH ZASTOSOWAŃ:

★ usuwanie linoleum i posadzek winylowych

★ usuwanie wykładzin z włókien sztucznych

★ usuwanie forniru oraz nakładanie okładzin forniowych

★ zamknięcie i topienie smoły, cyny, nawierzchni bitumicznych i wosku (stosować okrągłą dyszę H)

★ woskowanie (nart, mebli) (stosować dyszy chroniącej szyby G) <sup>16</sup>

★ usuwanie żywicy

★ poluzowywanie zardzewiałych lub zbyt mocno dokręconych wkrętów, nakrętek i śrub metalowych

★ usuwanie wosku (pamiętać, aby nie nagrzać zbyt mocno spodniej powierzchni)

★ naprawa złamanych świec i przywracanie pierwotnego kształtu wygiętym świecom

- Pasowanie skurczowe <sup>17</sup>

- stosować dyszę odchylającą J lub dyszę redukcyjną K

- wybrać rurę termokurczliwą o średnicy odpowiadającej obrabianemu przedmiotowi

- równomiernie ogrzewać rurę

PRZYKŁADY INNYCH ZASTOSOWAŃ:

★ obkurczanie

- Łączenie rur wodociągowych <sup>18</sup>

Niniejsze urządzenie nadaje się zwłaszcza do pracy z iękkimi lutami (temperatura topnienia poniżej 400°)

- stosować dyszę odchylającą J

- dokładnie wyczyścić oba elementy przeznaczone do połączenia przed rozpoczęciem lutowania

- podgrzać wstępnie oba elementy i nałożyć lut (nie stosować lut zawierającej ołów)

- Odmrażanie rur wodociągowych <sup>19</sup>

- stosować dyszę odchylającą J

- równomiernie ogrzać zamrożoną powierzchnię

! często trudno odróżnić rury wodociągowe wodą od rur gazowych; ogrzewanie rur gazowych jest bardzo niebezpieczne ze względu na możliwość eksplozji

PRZYKŁADY INNYCH ZASTOSOWAŃ:

★ odmrażanie rur wykonanych z PCV (położenie II, maks. 60°C)

★ odmrażanie zamków w drzwiach samochodów (położenie II, maks. 60°C) (stosować dyszę redukcyjną)

★ rozmrażanie zamrażarek (należy uważać, aby nie uszkodzić plastikowej obudowy)

★ topienie lodu na schodach i chodnikach

- Kształtowanie rur z tworzyw sztucznych
  - stosować dyszę odchylającą J
  - wypełnić rurę piaskiem i zaczopować oba końce, aby uniknąć zaciśnięcia rury w miejscu zgięcia
  - równomiernie ogrzewać rurę przesuwając ją przed dyszą urządzenia

PRZYKŁADY INNYCH ZASTOSOWAŃ:

★ kształtowanie tworzyw sztucznych o niskiej temperaturze topnienia (polietylen, PCV itp.)

★ kształtowanie plastiku o wysokiej temperaturze topnienia (szkło akrylowe, pleksiglas itp.)

★ kształtowanie i gięcie wykładzin z włókien sztucznych

★ kształtowanie i gięcie drewna (budowa modeli)

- Zgrzewanie plastiku
  - miejsce złączenia musi być czyste i nie zatłuszczone
  - przytrzymać pręt do spawania blisko spoiny i ogrzewać dopóki nie zacznie się kleić
  - zakończyć ogrzewanie, gdy spoina jest całkowicie wypełniona

PRZYKŁADY INNYCH ZASTOSOWAŃ:

★ naprawa desek surfingowych, nart i innego sprzętu sportowego z tworzyw sztucznych (stosować okrągłą dyszę H)

★ zgrzewanie materiałów PCV

★ wyglądanie pęcherzyków po przyklejeniu warstwy PCV

★ łączenie węży ogrodniczych (przy użyciu dyszy odchylającej J)

- Suszenie
  - ! suszyć tylko przy niskim lub średnim ustawieniu temperatury (położenie I lub II), trzymając urządzenie w dużej odległości od obrabianego materiału

- dosuszanie farb, lakierów, gipsu, zaprawy oraz tynku

- osuszanie mokrego drewna przed szpachlowaniem

- szybkie dosuszanie grubych warstw szpachli lub kleju

- osuszanie spoin budowlanych przed nałożeniem izolacji lub uszczelniacza

- osuszanie spoin i pęknięć w szklenictwie

- Czyszczenie i odkażanie
  - odkażanie klatek dla królików, gołębników, itp. (należy uprzednio wyjąć zwierzęta)
  - zwalczanie kolonii mrówek
  - zwalczanie czerwi drzewnych i korników (należy trzymać urządzenie w odpowiedniej odległości od drewna)
  - usuwanie chwastów


## KONSERWACJA / SERWIS

- Narzędzie nie jest przeznaczone do zastosowań profesjonalnych
- Nigdy nie używać łatwopalnych płynów do czyszczenia całej opalarki, a w szczególności wylotu powietrza/dyszy
- Zawsze dbać o czystość narzędzia i przewodu zasilającego (a szczególnie otworów wentylacyjnych F <sup>2</sup>)
- Jeśli narzędzie, mimo dokładnej i wszechstronnej kontroli produkcyjnej ulegnie kiedykolwiek awarii,

направу повинен przeprowadzić autoryzowany serwis elektronarzędzi firmy SKIL

- odesłać **nierozebrany** narzędzie, wraz z dowodem zakupu, do dealera lub do najbliższego punktu usługowego SKIL (adresy oraz diagram serwisowy narzędzia znajdują się na stronach www.skil.com)
- Prosimy pamiętać, że uszkodzenia spowodowane przeciążeniem lub niewłaściwym użytkowaniem narzędzia nie podlegają gwarancji (warunki gwarancji SKIL znajdują się na www.skil.com lub pytać swojego dealera)

## ŚRODOWISKO

- **Nie wyrzucaj elektronarzędzi, akcesoriów i opakowania wraz z odpadami z gospodarstwa domowego** (dotyczy tylko państw UE)
  - zgodnie z Europejską Dyrektywą 2012/19/WE w sprawie zużytego sprzętu elektrotechnicznego i elektronicznego oraz dostosowaniem jej do prawa krajowego, zużyte elektronarzędzia należy posegregować i zutylizować w sposób przyjazny dla środowiska
  - w przypadku potrzeby pozbycia się narzędzia, akcesoriów i opakowania - symbol  przypomni Ci o tym

RU

## Термовоздуходувка 8020/8040

В состав эксплуатационных документов, предусмотренных изготовителем для продукции, могут входить настоящее руководство по эксплуатации, а также приложения. Информация о подтверждении соответствия содержится в приложении.

### Срок службы изделия

Срок службы изделия составляет 7 лет. Не рекомендуется к эксплуатации по истечении 5 лет хранения с даты изготовления без предварительной проверки (дату изготовления см. на этикетке).

### Перечень критических отказов и ошибочных действия персонала или пользователя

- не использовать с поврежденной рукояткой или поврежденным защитным кожухом
- не использовать при появлении дыма непосредственно из корпуса изделия
- не использовать с перербитым или оголенным электрическим кабелем
- не использовать на открытом пространстве во время дождя (в распыляемой воде)
- не включать при попадании воды в корпус
- не использовать при сильном искрении
- не использовать при появлении сильной вибрации

### Критерии предельных состояний

- перетёрт или повреждён электрический кабель
- повреждён корпус изделия

### Тип и периодичность технического обслуживания

Рекомендуется очистить инструмент от пыли после каждого использования.

### Хранение

- необходимо хранить в сухом месте

- необходимо хранить вдали от источников повышенных температур и воздействия солнечных лучей
- при хранении необходимо избегать резкого перепада температур
- хранение без упаковки не допускается
- подробные требования к условиям хранения смотрите в ГОСТ 15150 (Условие 1)


### Транспортировка

- категорически не допускается падение и любые механические воздействия на упаковку при транспортировке
- при разгрузке/погрузке не допускается использование любого вида техники, работающей по принципу зажима упаковки
- подробные требования к условиям транспортировки смотрите в ГОСТ 15150 (Условие 5)

### ВНИМАНИЕ!

**В случае возникновения перебоя в работе электронинструмента вследствие полного или частичного прекращения энергоснабжения или повреждения цепи управления энергоснабжением установите выключатель в положение Выкл., убедившись, что он не заблокирован (при его наличии) и отключите сетевую вилку от розетки или отсоедините съёмный аккумулятор** (этим предотвращается неконтролируемый повторный запуск)

## ВВЕДЕНИЕ

- Этот инструмент предназначен для удаления красок, формования и сварки пластмассы, нагревания термоусадочных труб; инструмент также подходит для пайки и лужения, размягчения клеевых соединений (швов), а также размораживания водопроводных труб
- Данный инструмент не подходит для промышленного использования
- Прочитайте и сохраните с данной инструкцией 

## ТЕХНИЧЕСКИЕ ДАННЫЕ

### СТРАНА ИЗГОТОВЛЕНИЯ

Сделано в Китае

## ДЕТАЛИ ИНСТРУМЕНТА

- A** Выключатель вкл/выкл
- B** Кнопки для настройки температуры (8040)
- C** Кнопки для настройки воздушного потока (8040)
- D** Дисплей на жидких кристаллах (LCD) (8040)
- E** Вытяжное кольцо насадки
- F** Вентиляционные отверстия
- G** Стеклозащитная насадка
- H** Круглая насадка
- J** Отражающая насадка
- K** Сужающаяся насадка
- L** Отверстие для выпуска воздуха/наконечник
- M** Шкала регулировки (8020)
- N** Кнопка сохранения в памяти (8040)
- P** Кнопка выбора из сохраненных в памяти значений (8040)

# БЕЗОПАСНОСТЬ

## ОБЩЕЕ

- **Пользоваться этим инструментом детям в возрасте до 8 лет и лицам с ограниченными физическими, сенсорными или умственными способностями или с недостаточным опытом и знаниями разрешается только под присмотром ответственного за их безопасность лица или если они прошли инструктаж на предмет надежного использования этого инструмента и понимают, какие опасности исходят от него (иначе существует опасность неправильного использования и получения травм)**
- **Смотрите за детьми (дети не должны играть с инструментом)**
- **Производить очистку и техническое обслуживание этого инструмента детям разрешается только под присмотром**

## ПЕРЕД ИСПОЛЬЗОВАНИЕМ:

- Проверьте работоспособность инструмента перед каждым использованием и, в случае обнаружения неисправности, производите его ремонт только квалифицированным специалистом; ни в коем случае не открывайте инструмент самостоятельно
- Осматривайте шнур и вилку инструмента перед каждым использованием; при обнаружении повреждения, обратитесь к квалифицированному специалисту, который произведет их замену
- Используйте полностью размотанные и безопасные удлинители, рассчитанные на ток не менее 16 А
- Никогда не пользуйтесь инструментом с поврежденным кабелем питания; во избежание опасности его необходимо заменить, обратившись в сервисную организацию, к производителю или другому квалифицированному лицу.
- Используйте инструмент и насадки в соответствии с данным Руководством и по их назначению;

использование инструмента не по назначению может привести к опасной ситуации

- Обязательно убедитесь, что напряжение питания соответствует напряжению, указанному на фирменном штепеле инструмента
  - Убедитесь в том, что инструмент выключен перед подключением его к розетке
- ### ВО ВРЕМЯ ИСПОЛЬЗОВАНИЯ:
- Обращайтесь с инструментом осторожно, предотвращая воспламенение и получение ожогов
    - не касайтесь отверстия для выпуска воздуха / наконечника и нагреваемого предмета; так как они чрезвычайно сильно нагреваются
    - не подводите отверстие для выпуска воздуха / наконечник слишком близко к обрабатываемому предмету
    - не направляйте слишком долго поток горячего воздуха на ту же самую поверхность
    - ни в коем случае не заглядывайте в отверстие для выпуска воздуха / наконечник
    - надевайте защитные перчатки и очки
    - ни в коем случае не направляйте поток горячего воздуха на людей и животных
    - ни в коем случае не используйте инструмент для сушки волос
    - не оставляйте инструмент без присмотра
    - ни в коем случае не пользуйтесь инструментом вблизи воспламеняющихся газов и горючих веществ (**повышенная взрывоопасность**)
    - при работе с пластмассой, краской, лаком и подобными материалами могут выделяться воспламеняющиеся и ядовитые газы; заранее выясните, какие материалы будут обрабатываться
    - примите во внимание, что тепло может быть передано горючим веществам вне поля зрения
    - для безопасности имейте под рукой ведро воды или огнетушитель, на случай воспламенения каких-либо предметов
  - Предотвращайте поражение электрическим током
    - ни в коем случае не засовывайте ничего в отверстие для выхода воздуха / наконечник
    - не касайтесь заземленных поверхностей (например: труб, радиаторов, кухонных плит, холодильников)
    - убедитесь, что инструмент не намок
    - не пользуйтесь инструментом во влажной среде
    - при работе вне помещения, подключайте инструмент через предохранитель короткого замыкания (FI) с максимальным пусковым током 30 мА и используйте только удлинительный шнур, предназначенный для внешних работ и оборудованный защищенной от брызг розеткой
  - Осторожно обращайтесь со шнуром
    - всегда держите шнур подальше от потока горячего воздуха и отверстия для выпуска воздуха / наконечника
    - держите шнур подальше от тепла, масла и острых краев
    - не носите инструмент на шнуре и не дергайте шнур, чтобы вынуть вилку из розетки
    - не вешайте инструмент за шнур
  - Никогда не используйте инструмент одновременно с применением химических растворителей

- Удостоверитесь, что рабочая зона соответствующим образом проветривается
- Обеспечивайте чистоту и хорошую освещенность рабочей зоны
- Будьте начеку; следите за тем, что вы делаете, следуйте здравому смыслу и не работайте с инструментом, если Вы устали
- Выберите безопасное положение; не перенапрягайтесь, особенно на приставных лестницах и помостах
- Перед тем, как отложить инструмент в сторону, убедитесь, что он выключен
- В случае любой электрической или механической неисправности немедленно выключите инструмент и выньте вилку из розетки

#### ПОСЛЕ ИСПОЛЬЗОВАНИЯ:

- поставьте инструмент на тыльную сторону в вертикальном положении
- Выключите инструмент и выньте вилку из розетки
- Перед укладкой инструмента на хранение, дайте ему остыть в течении, как минимум, 30-ти минут
- Не храните/оставляйте инструмент вне помещения
- Храните инструмент в сухом, запираемом, не доступном для детей месте

#### ПОЯСНЕНИЕ К УСЛОВНЫМ ОБОЗНАЧЕНИЯМ НА ИНСТРУМЕНТЕ

- ③ Перед использованием ознакомьтесь с руководством по эксплуатации
- ④ Двойная изоляция (заземляющий провод не требуется)
- ⑤ Не выкидывайте инструмент вместе с бытовым мусором

## ИСПОЛЬЗОВАНИЕ

- Выключатель с температурными режимами ⑥  
**! перед тем, как вставить вилку в розетку, убедитесь, что выключатель А ② находится в положении "0"**
  - включите инструмент, поставив выключатель А в одно из положений:  
**8020**  
 I = 50°C, воздушный поток 350 литров в минуту  
 II = 450°C, воздушный поток 350 литров в минуту  
 III = 600°C, воздушный поток 500 литров в минуту  
**8040**  
 I = 50°C + воздушный поток 250-500 литров в минуту  
 II = 50°C ... 650°C, воздушный поток 250-500 литров в минуту
  - при первом использовании возможно выделение некоторого количество дыма из инструмента; это нормально и скоро прекратится
  - выключите инструмент, поставив выключатель А в положение "0"
- Настройка температуры  
**! для показаний температуры допускается погрешность**  
**50...90 °C: макс. 90 °C**  
**менее 300 °C: ±20%**  
**более 300 °C: ±10%**  
**8020**
  - выберите температуру с помощью шкалы регулировки М
  - используйте таблицу ⑥ для справки

#### 8040 ⑦

- кратким В нажатием кнопок установите конечную температуру, поэтапно изменяя ее значение на 10°C
- постоянное нажатие кнопок В непрерывно повышает/понижает конечную температуру до тех пор, пока кнопки не будут отпущены или не будет достигнута минимальная/максимальная температура
- после настройки нужной температуры на дисплее D появятся стрелки, которые будут мигать, пока не будет достигнута желаемая температура (только в положении «I»)
- конечная температура будет сохранена в памяти инструмента, поэтому каждый раз при включении инструмент нагревается до конечной температуры, заданной при предыдущем использовании
- Настройка воздушного потока ⑧ (8040)
  - кратким нажатием кнопок С установите необходимый поток воздуха, поэтапно изменяя его значение на 50 литров/мин.
  - на дисплее D фактическая настройка воздушного потока отображается с помощью шкального индикатора
- Настройки памяти ⑨ (8040)
  - чтобы выбрать одну из четырех сохраненных настроек памяти, нажмите кнопку Р
  - для сохранения настройки температуры и воздушного потока нажмите кнопку Р, чтобы выбрать ячейку памяти, установите нужные значения температуры и воздушного потока, а затем нажмите и удерживайте кнопку N, чтобы сохранить настройку
- Обычное использование
  - определите правильную температуру на неприметной части заготовки; начинайте с низкой температуры
  - температура понижается при увеличении расстояния между заготовкой и отверстием для выпуска воздуха/наконечником
  - необходимая температура зависит от обрабатываемого материала
- Использование в стационарном положении ⑩
  - поставьте инструмент на тыльную сторону в вертикальном положении
  - убедитесь, что поверхность чистая, без пыли; так как загрязненный воздух повреждает двигатель
  - убедитесь, что воздушный поток направлен в сторону от Вас
  - закрепите шнур во избежание случайного стягивания (сбрасывания) инструмента
  - не касайтесь отверстия для выпуска воздуха/наконечника
  - убедитесь, что ничто не попало в отверстие для выпуска воздуха / наконечник
  - осторожно держите инструмент одной рукой, выключая его другой рукой, а затем дайте ему остыть
- Удерживание и направление инструмента ⑪
  - держите инструмент одной рукой
  - содержите вентиляционные отверстия F ② не закрытыми

- Стандартные насадки ②
  - стеклозащитная насадка G (для отклонения воздушного потока)
  - круглая насадка H (для концентрации воздушного потока)
  - отражающая насадка J (для отражения воздушного потока)
  - сужающаяся насадка K (для концентрации воздушного потока)

#### ПРИМЕЧАНИЯ:

- все прикладные примеры (кроме удаления краски с оконных рам) могут быть выполнены без насадок; однако, использование соответствующих насадок упрощает работу и значительно улучшает ее качество
- с этим инструментом также можно использовать вспомогательные приспособления в сочетании с широко доступных аксессуаров для термовоздуходувок

- Установка/удаление насадок

- просто наденьте насадку на отверстие для выпуска воздуха L ②
- удалите насадку, сняв насадку вперед после ее охлаждения

**! устанавливайте насадки только при остывшем отверстии для выпуска воздуха, когда выключатель находится в положении "0" и вилка вынута из розетки**

- используйте вытяжное кольцо насадки E для облегчения снятия горячих насадок ②

- Контроль за равномерной подачей теплого воздуха (защита от перегрузки)

Защищает термоэлемент от повреждения, когда инструмент перегружен без возможности остановить его и/или дать ему охладиться в течении какого-то времени

- когда температура становится слишком высокой, термоэлемент самостоятельно отключается, в то время как двигатель продолжает работать и подавать холодный воздух

- когда температура достаточно понижается, (что занимает всего несколько секунд) термоэлемент автоматически включается

**! если инструмент выключается, после того как он использовался в режиме высокой температуры, и после короткого перерыва снова включается, то может потребоваться некоторое время, пока термоэлемент не нагреется до необходимой температуры**

## СОВЕТЫ ПО ИСПОЛЬЗОВАНИЮ

- Удаление краски / лака ⑬
  - используйте чистый, острый скребок
  - когда краска размягчится, соскребите ее с усилием
  - поэкспериментируйте, чтобы установить необходимое время теплового воздействия для получения оптимальных результатов
  - немедленно соскребите размягченную краску, иначе она снова отвердеет
  - выдерживайте угол 30ы-40ы между инструментом и заготовкой
  - немедленно удалите краску и мусор со скребка, чтобы предотвратить их воспламенение

- соскребайте везде, где это возможно, до древесных волокон
- не направляйте слишком поток горячего воздуха на ту же самую поверхность
- собирайте удаленную краску в безопасном месте
- тщательно очистите рабочую зону по завершении работы

**! будьте осторожны при удалении слоев краски в старых зданиях; в прошлом, здания могли быть окрашены красками, содержащими свинец, который является высокотоксичным веществом**

**! воздействие даже очень небольших доз свинца может вызвать серьезные повреждения мозга и нервной системы; особенно уязвимы маленькие и еще не родившиеся дети**

**! удаление содержащей свинец краски должно производиться специалистом без использования термоинструмента**

#### ДРУГОЕ ПРИМЕР ПРИМЕНЕНИЯ:

★ удаление (синтетической) облицовки стен

- Удаление краски / лака с окон ⑭
  - **всегда** используйте стеклозащитную насадку G при работе рядом со стеклом
  - удаляйте краску ручным скребком
  - ! не используйте инструмент для удаления краски на окнах в металлических рамах; металл теплопроводен, и это может привести к разрушению стекла**

- Удаление наклеек (используйте круглую насадку H) ⑮

- многие клеевые вещества размягчаются при нагреве, что позволяет разделять клеевые соединения и удалять избыточное количество клеевого вещества

**! нагрейте наклейку с наружной стороны ! каждый раз следите за тем, чтобы не перегреть подстилающую поверхность**

#### ДРУГИЕ ПРИМЕРЫ ПРИМЕНЕНИЯ:

- ★ удаление линолеума и винилового напольного покрытия
- ★ удаление ковровых плиток, сделанных из синтетических волокон
- ★ удаление защитного покрытия / нанесение полос защитного покрытия
- ★ размягчение/плавление смол, олова, битума, воска (используйте круглую насадку H)
- ★ вождение (лыж, мебели) (используйте стеклозащитную насадку G) ⑯
- ★ удаление камеди
- ★ ослабление заржавевших/сильно затянутых металлических винтов, гаек и болтов
- ★ удаление свечного воска (**не перегревайте подстилающую поверхность**)
- ★ восстановление разломанных/погнутых свечей до их первоначальной формы
- Горячая посадка ⑰
  - используйте отражающую насадку J или сужающуюся насадку K
  - выберите трубу горячей посадки с диаметром, соответствующим диаметру заготовки
  - равномерно нагрейте трубу горячей посадки

## ДРУГОЕ ПРИМЕР ПРИМЕНЕНИЯ:

- ★ термоусадочная обмотка
- Спаивание водопроводных труб (8)
  - Этот инструмент наиболее подходит для работы с мягкими припоями (точка плавления ниже 400°)
  - используйте отражающую насадку J
  - тщательно очистите обе соединяемые секции перед спаиванием
  - произведите предварительный нагрев обеих секции, и примените припойный провод (**не используйте содержащей свинец припойный провод**)
- Размораживание замерзших водопроводных труб (9)
  - используйте отражающую насадку J
  - равномерно нагрейте замерзший участок
  - ! водопроводные трубы часто трудно отличить от газовых труб; нагревание газовых труб очень рискованно ввиду опасности взрыва**

## ДРУГИЕ ПРИМЕРЫ ПРИМЕНЕНИЯ:

- ★ размораживание водопроводных труб, изготовленных из поливинилхлорида (**положение II, макс. 60°C**)
- ★ размораживание замерзших автомобильных замков (**положение II, макс. 60°C**) (используйте сужающуюся насадку )
- ★ размораживание морозильников (**не повредите пластмассовый корпус**)
- ★ очистка ото льда замерзших ступенек и дорожного покрытия
- Формование пластмассовых труб
  - используйте отражающую насадку J
  - во избежание образования изломов, заполните трубу песком и закупорьте оба ее конца
  - равномерно нагрейте трубу, перемещая ее из стороны в сторону

## ДРУГИЕ ПРИМЕРЫ ПРИМЕНЕНИЯ:

- ★ формование всех пластмасс с низкой точкой плавления (полиэтилен, поливинилхлорид и т.д.)
- ★ формование всех пластмасс с высокой точкой плавления (акриловое стекло, плексиглас и т.д.)
- ★ формование и изгибание плиток коврового покрытия, изготовленных из синтетических волокон
- ★ формование и изгибание деревянных деталей (моделирование)
- Сварка пластмасс
  - сварной шов должен быть чист и свободен от смазки
  - держите сварочный электрод поближе к сварному шву, и подавайте на него тепло, пока сварочный электрод не станет липким
  - прекратите подачу тепла после заполнения сварного шва

## ДРУГИЕ ПРИМЕРЫ ПРИМЕНЕНИЯ:

- ★ ремонт досок для серфинга, лыж и другого спортивного инвентаря, изготовленного из синтетических материалов (используйте круглое насадку H)
- ★ сварка поливинилхлоридных материалов
- ★ разравнивание вздутой сетки наклеивания поливинилхлоридных этикеток
- ★ соединение садовых шлангов (используйте отражающую насадку J)

- Сушка
  - ! осуществляйте сушку только при установке режима низкой или средней температуры (положение I или II) и при увеличенном расстоянии между инструментом и заготовкой**
  - сушка краски, лака, гипса, строительного раствора и штукатурки
  - сушка влажной древесины перед шпатлевкой
  - быстрая сушка толстого слоя шпатлевки или клевого вещества
  - сушка строительных швов перед применением изоляции или герметика
  - сушка соединений и трещин в судостроении
- Чистка/дезинфекция
  - дезинфекция клеток для кроликов, голубяток, и т.д. (**предварительно удалите оттуда ваше домашнее животное**)
  - уничтожение муравьиных колоний
  - уничтожение древесных червей и короедов (**держите инструмент на соответствующем расстоянии от дерева**)
  - уничтожение сорняков

## ТЕХОБСЛУЖИВАНИЕ / СЕРВИС

- Данный инструмент не подходит для промышленного использования
- Никогда не используйте легковоспламеняющиеся жидкости для чистки струйного термоинструмента вообще, а отверстия для выпуска воздуха/наконечника, в особенности
- Всегда содержите инструмент и его шнур в чистоте (особенно вентиляционные отверстия F (2))
- Если инструмент, несмотря на тщательные методы изготовления и испытания, выйдет из строя, то ремонт следует производить силами авторизованной сервисной мастерской для электроинструментов фирмы SKIL
  - отправьте **неразобранный** инструмент со свидетельством покупки Вашему дилеру или в ближайшую станцию обслуживания фирмы SKIL (адреса и схема обслуживания инструмента приведены в вебсайте [www.skil.com](http://www.skil.com))
- Примите к сведению, что повреждения вследствие перегрузки или ненадлежащего обращения с инструментом не будут включены в гарантию (условия гарантии SKIL см. на сайте [www.skil.com](http://www.skil.com) или узнайте у дилера в Вашем регионе)

## ОХРАНА ОКРУЖАЮЩЕЙ СРЕДЫ

- **Не выкидывайте электроинструмент, принадлежность и упаковку вместе с бытовым мусором** (только для стран ЕС)
  - во исполнение европейской директивы 2012/19/ЕС об утилизации отслужившего свой срок электрического и электронного оборудования и в соответствии с действующим законодательством, утилизация электроинструментов производится отдельно от других отходов на предприятиях, соответствующих условиям экологической безопасности
  - значок (5) напомним Вам об этом, когда появится необходимость сдать электроинструмент на утилизацию



Термоінструмент 8020/8040

## ВСТУП

- Цей інструмент призначений для видалення фарб, формування та зварювання пластмаси, нагріву термоусадочних труб; інструмент також підходить для паюння та лудіння, розм'якшення клейових з'єднань (швів), а також розморожування водопроводних труб
- Цей інструмент не придатний для промислового використання
- Прочитайте і збережіть цю Інструкцію з експлуатації

③

## ТЕХНІЧНІ ДАНІ ①

### ЕЛЕМЕНТИ ІНСТРУМЕНТА ②

- A Вимикач живлення
- B Кнопки для налаштування температури (8040)
- C Кнопки для налаштування повітряного потоку (8040)
- D Рідкокристалічний дисплей (LCD) (8040)
- E Витяжне кільце насадки
- F Вентиляційні отвори
- G Склозахисна насадка
- H Кругла насадка
- J Відбиваюча насадка
- K Звужуюча насадка
- L Отвір для випуску повітря/наконечник
- M Циферблат (8020)
- N Кнопка для зберігання в пам'яті (8040)
- P Кнопка вибору пам'яті (8040)

## БЕЗПЕКА

### ЗАГАЛЬНЕ

- **Дітям віком від 8 років та особам з обмеженими фізичними, сенсорними та розумовими можливостями або недостатнім досвідом та знаннями дозволяється користуватися цей інструмент лише під наглядом або якщо вони отримали відповідні вказівки щодо безпечного використання цього інструменту і розуміють, яку небезпеку він несе (в іншому випадку можливе неправильне використання та небезпека одержання травм)**

- **Дивіться за дітьми (діти не повинні гратися з інструментом)**
- **Дітям дозволяється очищати цього інструменту та виконувати його технічне обслуговування лише під наглядом**

### ПЕРЕД ВИКОРИСТАННЯМ:

- Перевіряйте працездатність інструмента перед кожним використанням та, у випадку виявлення несправності, виконайте ремонт тільки за допомогою кваліфікованого спеціаліста сертифікованого сервісного центру SKIL; ні в якому випадку не ремонтуйте інструмент самостійно
- Оглядайте шнур та вилку інструмента перед кожним використанням; при виявленні пошкодження, звертайтеся до кваліфікованого спеціаліста, який виконає їх заміну
- Використовуйте повністю розгорнений шнур подовжувача, який може витримувати навантаження в 16 Ампер
- Категорично забороняється користуватися інструментом при пошкодженні електричного шнура; заміна шнура повинна проводитися виготовлювачем, представником з обслуговування або подібним кваліфікованим персоналом з метою уникнення небезпек.
- Використовуйте інструмент та насадки тільки у відповідності з даним Керівництвом та по їх призначенню; використання інструменту не по призначенню може призвести до небезпек
- Перед роботою перевірте відповідність струму в мережі із струмом, позначені на інструменті
- Переконайтесь в, тому що інструмент вимкнено, перед тим як підключити його до розетки

### ПІД ЧАС ВИКОРИСТАННЯ:

- Поводьтеся з інструментом обережно; запобігаючи запаленню та опіків
  - не торкайтесь отвору для випуску повітря/наконечника та предмета, що нагрівається цим інструментом; тому, що вони сильно нагріваються
  - не піднімайте отвір для випуску повітря/наконечник дуже близько до поверхні, що обробляється
  - не направляйте дуже довго потік гарячого повітря на одну й ту саму поверхню
  - ні в якому випадку не заглядайте в отвір для випуску повітря/наконечник
  - надягайте захисні рукавички та захисні окуляри
  - ні в якому випадку не наводьте потік гарячого повітря на людей та тварин
  - ні в якому випадку не використовуйте інструмент для сушки волосся
  - не залишайте інструмент без нагляду
  - ні в якому випадку не використовуйте інструмент поблизу легко займистих газів та горючих речовин (**підвищена вибухонебезпечність**)
  - при роботі з пластмасою, фарбою, лаком та подібними матеріалами можуть виділятися легкозаймисті та ядовиті гази; заздалегідь вясніть, які матеріали будуть оброблятися

- прийміть до уваги: тепло може бути передано горючими речовинами, що не знаходяться у полі видимості
- для безпечності майте під рукою відро води або вогнегасник, на випадок запалення предметів
- Запобігання небезпеки від електроструму
  - ні в якому випадку не засовуйте нічого в отвір для виходу повітря/наконечник
  - не торкайтесь заземлених поверхонь (напр.: труб, радіаторів, кухоних плиток, холодильників)
  - перконайтеся, що інструмент не намокнув
  - не використовуйте інструмент в вологій середі
  - при роботі на дворі підключайте інструмент через запобіжник короткого замикання (FI) із максимальним пусковим струмом 30 мА та використовуйте подовжувач, призначений для зовнішніх робіт, що обладнаний захистом від бризів
- Обережно поводьтеся зі шнуром
  - завжди тримайте шнур, як умога дальше від потоку гарячого повітря та отвору для випуску повітря/наконечника
  - тримайте шнур, як умога дальше від тепла, масла та гострих країв
  - не носіть інструмент за шнур, та не смикайте його для того, щоб винути вилку з розетки
  - не вішайте інструмент за шнур
- Ніколи не використовуйте інструмент одночасно з використанням хімічних розчинників
- Переконайтеся, що робоча зона провітрюється належним чином
- Забезпечте чистоту та гарне освітлення робочої зони
- Будьте напоготові; слідкуйте за тим, що ви робите, слідуйте здоровому глузду і не працюйте з інструментом, якщо Ви втомилися
- Оберіть безпечне положення; не перенапружуйтеся, особливо на приставних драбинах та помостах
- Перед тим, як відкласти в бік, переконайтеся, що він вимкнений
- У разі електричної або механічної несправності, негайно відключіть інструмент і вимкніть з розетки

#### ПІСЛЯ ВИКОРИСТАННЯ:

- поставте інструмент на тильну сторону у вертикальне положення
- Вимкніть інструмент та вийміть вилку з розетки
- Пред укладкою інструмента на зберігання, дайте йому остигнути, як мінімум, 30-ть хвилин
- Не зберігати/залишайте інструмент на вулиці
- Зберігати інструмент в сухому, не доступному для дітей місці

#### ПОЯСНЕННЯ ДО УМОВНИХ ПОЗНАЧОК НА ІНСТРУМЕНТІ

- ③ Перед використанням прочитайте інструкцію із застосування
- ④ Подвійна ізоляція (заземлюючий провід не потрібен)
- ⑤ Не викидайте інструмент разом зі звичайним сміттям

## ВИКОРИСТАННЯ

- Вимикач з температурними режимами ⑥
  - ! перед тим, як вставити вилку в розетку, переконайтеся, що вимикач А ② знаходиться в положенні "0"
  - увімкніть інструмент, поставивши вимикач А в одно з положень:

### 8020

I = 50°C, повітряний потік 350 літрів на хвилину  
 II = 450°C, повітряний потік 350 літрів на хвилину  
 III = 600°C, повітряний потік 500 літрів на хвилину

### 8040

I = 50°C + повітряний потік 250-500 літрів на хвилину  
 II = 50°C ... 650°C, повітряний потік 250-500 літрів на хвилину

- при першому використанні можливе виділення деякої кількості диму з інструмента; це нормально і скоро припиниться
- вимкніть інструмент, поставивши вимикач А в положення "0"

- Настроювання температури

#### ! існує допуск на зазначені температури

**50...90°C: Макс 90°C**

**менше 300°C: ±20%**

**більше 300°C: ±10%**

### 8020

- за допомогою циферблату М виберіть потрібне налаштування температури
- використовуйте таблицю ⑥ для довідки

### 8040 ⑦

- коротким В натисканням кнопок встановіть кінцеву температуру, поетапно змінюючи її значення на 10°C
- постійне натискання В кнопок безперервно підвищує/знижує кінцеву температуру, доки кнопки не будуть відпущені або не буде досягнута мінімальна/максимальна температура
- після встановлення цільової температури на дисплеї D відтворюється миготіння стрілок, поки не буде досягнута необхідна температура (тільки в положенні "II")
- кінцева температура буде збережена в пам'яті інструменту, тому щораз під час вмикання інструмент нагрівається до кінцевої температури, що була задана під час попереднього використання
- Налаштування повітряного потоку ⑧ (8040)
  - коротким натисканням кнопок С встановіть потрібний повітряний потік, поетапно змінюючи його значення на 50 літрів/хв.
  - дисплей D вказує фактичний повітряний потік повітря за допомогою шкального індикатора
- Налаштування пам'яті ⑨ (8040)
  - для вибору одного з чотирьох збережених налаштувань пам'яті натисніть кнопку Р
  - для збереження налаштувань температури та потоків повітря натисніть кнопку Р, щоб вибрати копію пам'яті, встановіть потрібну температуру і рух повітря, а потім натисніть і утримуйте кнопку N для збереження налаштувань
- Звичайне використання
  - визначте правильну температуру на непримітній частині заготовки; почніть з низької
  - температура знижується при збільшенні відстані між заготовкою та отвором для випуску повітря/наконечника
  - необхідна температура залежить від матеріалу, що обробляється
- Використання в стаціонарному положенні ⑩
  - поставте інструмент на тильну сторону у вертикальне положення

- переконайтеся, що поверхня чиста, без пилу; тому, що забруднене повітря пошкоджує двигун
- переконайтеся, що повітряний потік направлений в бік від Вас
- закріпіть шнур, щоб запобігти випадкового стягування (скидання) інструмента
- не торкайтесь отвору для випуску повітря / наконечника
- переконайтеся, що ніщо не попало в отвір для випуску повітря / наконечник
- обережно тримайте інструмент однією рукою, вимикаючи його другою, а потім дайте йому остигнути
- Утримування і робота інструментом ①
  - тримайте інструмент однією рукою
  - тримайте вентиляційні отвори F ② незакритими
- Стандартні насадки ②
  - склозахисна насадка G (для відхилення повітряного потоку)
  - круга форсунка H (для концентрації повітряного потоку)
  - насадка зі скляним захистом J (для відбивання повітряного потоку)
  - звукулюча насадка K (для концентрації повітряного потоку)

#### ПРИМІТКИ:

- всі прикладні приклади (**крім видалення фарби з віконних рам**) можуть бути виконані без насадок; але використання відповідних насадок спрощують роботу та значно покращують її якість
- цей інструмент також можна використовувати в поєднанні з широко доступних аксесуарів для термоінструментів
- Встановлення/ знімання насадок
  - просто надягніть насадку на отвір для випуску повітря L ②
  - зніміть насадку, стягнувши її вперед після її охолодження
- ! **встановлюйте насадки тільки при охолодженню отворі для випуску повітря, коли вимикач знаходиться в положенні "0" та вилка вибита з розетки**
- використовуйте витяжне кільце насадки E для полегшення зняття гарячих насадок ②
- Контроль за рівномірною подачею теплого повітря (захист від перевантаження)
  - Захищає термоелемент від пошкодження, коли інструмент перевантажений без можливості зупинити його і/або дати йому охолодитися на протяжці певного проміжку часу
  - коли температура стає за надто високою, термоелемент самостійно відключається, в той час коли двигун продовжує працювати і подавати холодне повітря
  - коли температура достатньо знижується (що займає всього декілька секунд), термоелемент автоматично вмикається
- ! **якщо інструмент вмикається після роботи в високотемпературному режимі та знову вмикається після короткої перерви, то може знадобитися деякий час, щоб термоелемент досяг робочої температури**

## ПОРАДИ ПО ВИКОРИСТАННЮ

- Видалення фарб/лаку ⑬
  - використовуйте чистий, гострий скребок
  - коли фарба розм'якшиться, зіскребіть її з зусиллям
  - поекспериментуйте, щоб визначити необхідний час теплового впливу для досягнення оптимальних результатів
  - негайно зіскребіть розм'якшену фарбу, в іншому випадку вона затвердіє
  - витримуйте кут 30°-40° між інструментом та заготовкою
  - негайно видаляйте фарбу та сміття зі скребка, щоб запобігти їх запаленню
  - зіскрібайте всюди, де тільки можливо, до волокна деревини
  - не направляйте дуже довго потік гарячого повітря на одну й ту саму поверхню
  - збирайте видалену фарбу в безпечному місці
  - ретельно очистіть робочу зону після завершення роботи
- ! **будьте обережні при видаленні слоїв фарб в старих будівлях; в минулому, будівлі могли бути пофарбовані фарбами, в склад яких входить свинець, який є високотоксичною речовиною**
- ! **вплив навіть дуже маленьких доз свинцю може визвати серйозні пошкодження мозку та нервової системи; особливо уразливі маленькі, та ще не народжені діти**
- ! **видалення краски зі вмістом свинцю повинно проводитися спеціалістом без використання термоінструмента**
- ІНШІЙ ПРИКЛАД ЗАСТОСУВАННЯ:
  - ★ видалення (синтетичного) облицювання стін
- Видалення фарби/лаку з вікон ⑭
  - завжди використовуйте склозахисну насадку G, якщо працюєте біля скла
  - видаляйте фарбу ручним скребком
  - не використовуйте інструмент для зняття фарби з вікон в металевих рамах; метал проводить тепло, що може спричинити пошкодження скла
- Видалення наклейок (використовуйте круглу насадку H) ⑮
  - більшість клеючих засобів розм'якшуються при нагріві, що дозволяє роз'єднувати клеєві з'єднання та видаляти надлишкову кількість клеючої речовини
- ! **нагрійте наклейку з зовнішнього боку**
- ! **ножен раз слідуйте за тим, щоб не перегріти нижню поверхню**
- ІНШІЙ ПРИКЛАД ЗАСТОСУВАННЯ:
  - ★ видалення лінолеумних та винилових покриттів
  - ★ видалення килимової плитки, вироблених з синтетичних волокон
  - ★ видалення захисного покриття/ нанесення смуг захисного покриття
  - ★ розм'якшення / плавління смол, олова, бітуму, воску (використовуйте круглу насадку H)
  - ★ вошіття (лиж, меблів) (використовуйте склозахисну насадку G) ⑮
  - ★ видалення камеди

- ★ послаблення заіржавілих/сильно затягнутах металевих гвинтів, гайок та болтів
- ★ видалення свічного воску (**не перегрійте нижню поверхню**)
- ★ відновлення поламаних/погнутих свічок до їх початкової форми
- Горяча посадка 17
  - використовуйте насадку зі скляним захистом J або свужуючу насадку K
  - виберіть трубу горячої посадки з діаметром, відповідному діаметру заготовки
  - рівномірно нагрівайте трубу горячої посадки
- ІНШИЙ ПРИКЛАД ЗАСТОСУВАННЯ:
- ★ термоусадочна обмотка
- Спайка водопровідних труб 18
 

Цей інструмент найбільше підходить для роботи з м'якими пропоями (точка плавління нижче 400°C)

  - використовуйте насадку зі скляним захистом J
  - ретельно відчистіть обидві з'єднувальні секції перед спаюванням
  - зробіть попередній нагрів обох секцій, та використайте припайний провід (**не використовуйте припайний провід з вмістом свинцю**)
- Розморожування замерзлих водопровідних труб 19
  - використовуйте насадку зі скляним захистом J
  - рівномірно нагрійте замерзлу ділянку

**! водопровідні труби часто важко відрізати від газових; нагрівання газових труб дуже небезпечно в зв'язку з великим ризиком вибуху**
- ІНШИЙ ПРИКЛАД ЗАСТОСУВАННЯ:
- ★ розморожування водопроводів труб виготовлені з полівінілхлориду (**положення II, макс. 60°C**)
- ★ розморожування замерзлих автомобільних замків (**положення II, макс. 60°C**) (використовуйте звужуючу насадку)
- ★ розморожування морозильників (**не пошкодьте пластмасовий корпус**)
- ★ відчищення льоду від замерзлих східців та дорожнього покриття
- Формування пластмасових труб
  - використовуйте насадку зі скляним захистом J
  - щоб запобігти утворенню зламів, заповніть трубу піском та закупорте обидва її кінця
  - рівномірно нагрійте трубу, переміщуючи її зі сторони в сторону
- ІНШИЙ ПРИКЛАД ЗАСТОСУВАННЯ:
- ★ формування всіх видів пластмас з низькою точкою плавління (поліетілен, полівінілхлорид і т.д.)
- ★ формування всіх видів пластмас з високою точкою плавління (акрилове скло, плексіглас і т.д.)
- ★ формування та вигинання плиток килимового покриття, виготовлених із синтетичних волокон
- ★ формування та вигинання дерев'яних деталей (моделювання)
- Зварювання пластмас
  - зварювальний шар має бути чистим та вільним від змазки
  - тримайте зварювальний електрод ближче до зварювального шву, доти доки зварювальний електрод не стане липким
  - припиніть подавання тепла після заповнення зварювального шва

#### ІНШИЙ ПРИКЛАД ЗАСТОСУВАННЯ:

- ★ ремонт дошок для серфінгу, лиж та іншого спортивного інвентарю, виробленого з синтетичних матеріалів (використовуйте круглу насадку H)
- ★ зварювання полівінілхлоридних матеріалів
- ★ розрівнювання здуття після наклеювання полівінілхлоридних етикеток
- ★ з'єднання садових шлангів (використовуйте насадку зі скляним захистом J)
- Сушка
  - ! виконуйте сушку тільки при установці режиму низької або середньої температури (положення I або II) та при збільшеній відстані між інструментом та заготовкою**
  - сушка фарби, лаку, гіпсу, будівельного розчину та штукатурки
  - сушка вологої деревини перед шпаклюванням
  - швидка сушка толстого шару шпаклівки або клейової речовини
  - сушка будівельних швів перед застосуванням ізоляції або герметика
  - сушка з'єднань та тріщин в суднобудівництві
- Чистка/дезінфекція
  - дезінфекція кліток для кроликів, голуб'ятників, і т.д. (**попередньо заберіть звідти тварину**)
  - винищення колоній мурах
  - винищення деревних хробаків та короїдів (**тримайте інструмент на відповідній дистанції від дерева**)
  - знищення бур'янів

## ДОГЛЯД/ОБСЛУГОВУВАННЯ

- Цей інструмент не придатний для промислового використання
- Ніколи не використовуйте легкозаймисті речовини для чистки струминного термоінструмента взагалі, а отвір для випуску повітря/наконечник, особливо
- Завжди тримайте інструмент та його шнур в чистоті (особливо вентиляційні отвори F 2)
- Якщо незважаючи на ретельну технологію виготовлення і перевірки інструмент все-таки вийде з ладу, його ремонт дозволяється виконувати лише в авторизованій сервісній майстерні для електроприладів SKIL
  - надішліть **нерозібраний** інструмент разом з доказом купівлі до Вашого дилера або до найближчого центру обслуговування SKIL (адреси, а також діаграма обслуговування пристрою, подаються на сайті [www.skil.com](http://www.skil.com))
- Візьміть до відома, що ушкодження внаслідок перевантаження або неналежного поводження з інструментом не будуть включені в гарантію (умови гарантії SKIL див. на сайті [www.skil.com](http://www.skil.com) або довідайтеся в дилера у Вашому регіоні)

## ОХОРОНА НАВКОЛИШНЬОЇ СЕРЕДИ

- **Не викидайте електроінструмент, приналежності та упакування разом зі звичайним сміттям** (тільки для країн ЄС)
  - відповідно до європейської директиви 2012/19/ЄС щодо утилізації старих електричних та електронних приладів, в залежності з місцевим законодавством, електроінструмент, який перебував в експлуатації

повинен бути утилізований окремо, безпечним для навколишнього середовища шляхом  
- малюнок 5 нагадає вам про це

GR

**Πιστόλι θερμού αέρος 8020/8040**

## ΕΙΣΑΓΩΓΗ

- Αυτό το εργαλείο έχει σχεδιαστεί για την αφαίρεση χρώματος, τη διαμόρφωση και τη συγκόλληση πλαστικών, και τη θέρμανση θερμομοστέλλόμενων σωλήνων - το εργαλείο είναι επίσης κατάλληλο για κασοίτεροκόλληση και κασοίτρωση, για την αποκόλληση κολλημένων ενώσεων και για την απόψυξη σωλήνων νερού
- Αυτό το εργαλείο δεν προορίζεται για επαγγελματική χρήση
- Διαβάστε και φυλάξτε αυτές τις οδηγίες χρήσεως 3

## ΤΕΧΝΙΚΑ ΧΑΡΑΚΤΗΡΙΣΤΙΚΑ 1

### ΜΕΡΗ ΤΟΥ ΕΡΓΑΛΕΙΟΥ 2

- A Διακόπτης εκκίνησης/στάσης
- B Κουμπιά για τον καθορισμό της θερμοκρασίας (8040)
- C Κουμπιά ρύθμισης της παροχής αέρα (8040)
- D Οθόνη υγρών κρυστάλλων (LCD) (8040)
- E Δακτυλίδι απελευθέρωσης ακροφύσιου
- F Σχισμές αερισμού
- G Ακροφύσιο προστασίας γυαλιού
- H Στρογγυλό ακροφύσιο
- J Ανακλαστικό ακροφύσιο
- K Ακροφύσιο μείωσης
- L Στόμιο/ακροφύσιο αέρα
- M Ρυθμιστικός τροχός (8020)
- N Κουμπί αποθήκευσης στη μνήμη (8040)
- P Κουμπί επιλογής μνήμης (8040)

## ΑΣΦΑΛΕΙΑ

### ΓΕΝΙΚΑ

- **Το εργαλείο αυτό μπορεί να χρησιμοποιηθεί από παιδιά από 8 ετών και πάνω καθώς και από άτομα με περιορισμένες φυσικές, αισθητήριες ή διανοητικές ικανότητες ή με έλλειψη εμπειρίας και ανεπαρκείς γνώσεις, όταν επιβλέπονται από ένα υπεύθυνο για την ασφάλειά τους άτομο ή έχουν από αυτό καθοδηγηθεί σχετικά με την ασφαλή εργασία με το εργαλείο και τους συνυφασμένους με**

**αυτή κινδύνους (διαφορετικά υπάρχει κίνδυνος λαθεμένου χειρισμού και τραυματισμού)**

- **Να επιτηρείτε τα παιδιά (έτσι εξασφαλίζεται ότι τα παιδιά δεν θα παίξουν με το εργαλείο)**
- **Δεν επιτρέπεται ο καθαρισμός και η συντήρηση του εργαλείου από παιδιά όταν αυτά δεν βρίσκονται υπό επιτήρηση**

### ΠΡΙΝ ΤΗ ΧΡΗΣΗ:

- Ελέγξτε τη λειτουργία του εργαλείου πριν από κάθε χρήση, και σε περίπτωση βλάβης, πάτε το για επισκευή σε κάποιο εξειδικευμένο άτομο - ποτέ μην ανοίγετε μόνοι σας το εργαλείο
- Ελέγξτε το καλώδιο και το φις του εργαλείου πριν από κάθε χρήση, και σε περίπτωση βλάβης, φροντίστε να αντικατασταθούν από εξειδικευμένο άτομο
- Χρησιμοποιείτε ασφαλείς, τελείως ξετυλιγμένες προεκτάσεις καλωδίου με χωρητικότητα 16 Amps
- Ποτέ μην χρησιμοποιείτε το εργαλείο όταν το καλώδιο είναι φθαρμένο. Θα πρέπει να αντικατασταθεί από τον κατασκευαστή, τον εκπρόσωπο τεχνικής εξυπηρέτησης ή άλλο εξειδικευμένο άτομο, προκειμένου να αποφευχθεί τυχόν κίνδυνος.
- Χρησιμοποιείτε το εργαλείο και τα εξαρτήματά του σύμφωνα με τις οδηγίες χρήσεως και κατά τον τρόπο που προβλέπεται για το εργαλείο - η χρήση του εργαλείου για ενέργειες που είναι διαφορετικές από αυτές για τις οποίες προορίζεται κανονικά το εργαλείο, μπορεί να προκαλέσει επικίνδυνες καταστάσεις
- Βεβαιωθείτε ότι η τάση του παρεχόμενου ρεύματος είναι ίδια με την τάση που υποδεικνύεται στην πινακίδα δεδομένων του εργαλείου
- Βεβαιωθείτε ότι το εργαλείο είναι σβησμένο όταν συνδέεται στην πρίζα

### ΚΑΤΑ ΤΗ ΧΡΗΣΗ:

- Χρησιμοποιείτε το εργαλείο με προσοχή - αποφεύγετε την φωτιά και τα εγκαύματα
  - μην αγγίζετε το στόμιο/ακροφύσιο αέρα και το θερμαινόμενο κομμάτι, διότι ζεσταίνονται πάρα πολύ
  - μην κρατάτε το στόμιο/ακροφύσιο αέρα πολύ κοντά στο κατεργαζόμενο κομμάτι
  - μην κρατάτε το ζεστό ρεύμα αέρα στραμμένο στην ίδια επιφάνεια για μεγάλο χρονικό διάστημα
  - ποτέ μην κοιτάτε μέσα στο στόμιο/ακροφύσιο αέρα
  - φοράτε προστατευτικά γάντια και γυαλιά
  - ποτέ μην στρέψετε το ρεύμα θερμού αέρα προς την κατεύθυνση ανθρώπων ή ζώων
  - ποτέ μη χρησιμοποιείτε το εργαλείο για το στέγνωμα των μαλλιών σας
  - μην αφήνετε το εργαλείο αφύλακτο
  - ποτέ μη χρησιμοποιείτε το εργαλείο κοντά σε εύφλεκτα αέρια ή καύσιμα υλικά (κίνδυνος έκρηξης)
  - όταν εργάζεστε με πλαστικά, χρώμα, βερνίκι και συναφή προϊόντα, ενδέχεται να δημιουργηθούν εύφλεκτα και δηλητηριώδη αέρια - ενημερωθείτε εκ των προτέρων σχετικά με τα υλικά που επεξεργάζονται

- έχετε υπόψη σας ότι η θερμότητα ενδέχεται να μεταδοθεί σε καύσιμες ύλες που βρίσκονται έξω από το οπτικό σας πεδίο
- για λόγους ασφαλείας, κρατάτε ένα δοχείο νερού ή έναν πυροσβεστήρα κοντά σας, για την περίπτωση που κάποιο υλικό πάρει φωτιά
- Αποφεύγετε την ηλεκτροπληξία
  - ποτέ μην εισάγετε αντικείμενα στο στόμιο/ακροφύσιο αέρα
  - αποφεύγετε την επαφή του σώματος με γειωμένες επιφάνειες (για παράδειγμα, σωλήνες, θερμαντικά σώματα, εστίες μαγειρικής, ψυγεία)
  - φροντίστε ώστε να μην βρέχεται το εργαλείο
  - μη χρησιμοποιείτε το εργαλείο σε υγρούς χώρους
  - όταν χρησιμοποιείτε το εργαλείο στο υπαίθριο, συνδέστε το χρησιμοποιώντας έναν διακόπτη ασφαλείας με μέγιστο όριο ενεργοποίησης 30 mA, και χρησιμοποιείτε μόνο καλώδιο προέκτασης ειδικό για υπαίθρια χρήση και εξοπλισμένο με αδιάβροχη πρίζα σύνδεσης
- Χειριστείτε το καλώδιο με προσοχή
  - κρατάτε το καλώδιο πάντοτε μακριά από το ρεύμα θερμού αέρα και από το στόμιο/ακροφύσιο αέρα
  - κρατάτε το καλώδιο μακριά από θερμότητα, λάδια και αιχμηρά άκρα
  - μη μεταφέρετε το εργαλείο κρατώντας το από το καλώδιο, και μην τραβάτε το καλώδιο για να αποσυνδέσετε το εργαλείο από την πρίζα
  - μην κρεμάτε το εργαλείο από το καλώδιο
- Ποτέ μη χρησιμοποιείτε το εργαλείο σε συνδυασμό με χημικά διαλυτικά
- Βεβαιωθείτε ότι υπάρχει επαρκής εξαερισμός στον χώρο εργασίας
- Κρατάτε το περιβάλλον εργασίας καθαρό και καλά φωτισμένο
- Να είστε προσεκτικοί σε ό,τι κάνετε, να εργάζεστε σύμφωνα με την κοινή λογική και να μην χειρίζεστε το εργαλείο όταν είστε κουρασμένοι
- Βεβαιωθείτε ότι στέκεστε σταθερά - μην τεντώνεστε, ειδικά όταν εργάζεστε πάνω σε σκάλα ή σε σκαλωσιά
- Βεβαιωθείτε ότι το εργαλείο είναι σβησμένο πριν το αφήσετε στην άκρη
- Σε περίπτωση ηλεκτρικής ή μηχανικής δυσλειτουργίας, σταματήστε αμέσως το εργαλείο και βγάλτε το από την πρίζα

#### ΜΕΤΑ ΤΗ ΧΡΗΣΗ:

- ακουμπήστε το εργαλείο στο πίσω μέρος του, σε όρθια θέση
- Σβήστε το εργαλείο και βγάλτε το φως από την πρίζα
- Αφήστε το εργαλείο να κρυώσει για 30 τουλάχιστον λεπτά πριν το αποθηκεύσετε
- Μην αποθηκεύσετε/αφήνετε το εργαλείο σε εξωτερικούς χώρους
- Αποθηκεύστε το εργαλείο σε μέρος δροσερό και κλειδωμένο, μακριά από παιδιά

#### ΕΠΙΞΗΝΗΣΗ ΤΩΝ ΣΥΜΒΟΛΩΝ ΣΤΟ ΕΡΓΑΛΕΙΟ

- ③ Διαβάστε το εγχειρίδιο οδηγιών πριν από τη χρήση
- ④ Διπλή μόνωση (δεν απαιτείται καλώδιο γείωσης)
- ⑤ Μην πετάτε το εργαλείο στον κάδο οικιακών απορριμμάτων

## ΧΡΗΣΗ

- Διακόπτης ενεργοποίησης/απενεργοποίησης με βαθμίδες θερμοκρασίας ⑥
- ! **Βεβαιωθείτε ότι ο διακόπτης A ② βρίσκεται στη θέση "0" πριν βάλετε το φως στην πρίζα**
- θέστε το εργαλείο σε λειτουργία βάζοντας τον διακόπτη A στην επιθυμητή θέση:
  - 8020**
  - I = 50°C, ροή αέρα 350 λίτρα/λεπτό
  - II = 450°C, ροή αέρα 350 λίτρα/λεπτό
  - III = 600°C, ροή αέρα 500 λίτρα/λεπτό
- 8040**
- I = 50°C + ροή αέρα 250-500 λίτρα/λεπτό
- II = 50°C ... 650°C, ροή αέρα 250-500 λίτρα/λεπτό
- όταν χρησιμοποιείτε το εργαλείο για πρώτη φορά, υπάρχει περίπτωση να εκλυθεί λίγος καπνός - πρόκειται για φυσικό φαινόμενο, το οποίο θα σταματήσει σύντομα
- σβήστε το εργαλείο φέρνοντας τον διακόπτη A στη θέση "0"
- Βαθμίδα θερμοκρασίας
- ! **υπάρχει κάποια ανοχή ως προς τις ενδεικνυόμενες θερμοκρασίες**
- 50...90°C: μέγ. 90°C**
- κάτω των 300°C: ±20%**
- άνω των 300°C: ±10%**
- 8020**
- χρησιμοποιήστε τον ρυθμιστικό τροχό M για να επιλέξετε την επιθυμητή ρύθμιση θερμοκρασίας
- χρησιμοποιήστε τον πίνακα ⑥ ως αναφορά
- 8040 ⑦**
- ρυθμίστε την επιθυμητή θερμοκρασία σε βήματα των 10°C πατώντας για λίγο τα κουμπιά B
- το συνεχές πάτημα των κουμπιών B αυξάνει/μειώνει συνεχώς τη θερμοκρασία-στόχο μέχρι να αφήσετε τα κουμπιά ή να φτάσετε την ελάχιστη/μέγιστη θερμοκρασία
- μετά τη ρύθμιση της στοχευόμενης θερμοκρασίας, η οθόνη D εμφανίζει βέλη που αναβοσβήνουν μέχρι να επιτευχθεί η επιθυμητή θερμοκρασία (μόνο στη θέση «II»)
- η θερμοκρασία-στόχος θα αποθηκευτεί στη μνήμη του εργαλείου ώστε σε κάθε ενεργοποίηση το εργαλείο θα θερμαίνεται μέχρι να φτάσει την θερμοκρασία-στόχο που είχατε επιλέξει την τελευταία φορά που το χρησιμοποιήσατε
- Ρύθμιση παροχής αέρα ⑧ (8040)
- ρυθμίστε την επιθυμητή παροχή αέρα σε βήματα των 50 λ/λεπτό πατώντας για λίγο τα κουμπιά C
- η οθόνη D απεικονίζει την τρέχουσα ρύθμιση της παροχής αέρα σε μορφή ιστογράμματος
- Ρύθμιση μνήμης ⑨ (8040)
- για να επιλέξετε μια από τις τέσσερις αποθηκευμένες ρυθμίσεις μνήμης, πατήστε το κουμπί P
- για να αποθηκεύσετε μια ρύθμιση θερμοκρασίας και ροής αέρα, πατήστε το κουμπί P για να επιλέξετε μια θέση μνήμης, ρυθμίστε την επιθυμητή θερμοκρασία και ρεύμα αέρα και πατήστε παρατεταμένα το κουμπί N για να αποθηκεύσετε τη ρύθμιση
- Γενική χρήση
  - καθορίστε τη σωστή θερμοκρασία δοκιμάζοντας το εργαλείο σε κάποιο μη εμφανές σημείο του κατεργαζόμενου τεμαχίου και ρυθμίζοντας το εργαλείο πρώτα στη χαμηλή βαθμίδα θερμοκρασίας

- η θερμοκρασία πέφτει όταν αυξάνεται η απόσταση μεταξύ του στομίου/ακροφυσίου αέρα και του κατεργαζόμενου τεμαχίου
  - η απαιτούμενη θερμοκρασία εξαρτάται από το κατεργαζόμενο υλικό
  - Σταθερή χρήση ⑩
    - ακουμπήστε το εργαλείο στο πίσω μέρος του, σε όρθια θέση
    - βεβαιωθείτε ότι η επιφάνεια είναι καθαρή, δίχως σκόνες - ο μολυσμένος αέρας προκαλεί βλάβη στο μοτέρ
    - βεβαιωθείτε ότι το ρεύμα αέρα δεν κατευθύνεται προς το μέρος σας
    - στερεώστε το καλώδιο για να μην ριζέτε το εργαλείο
    - μην αγγίζετε το στόμιο/ακροφύσιο αέρα
    - φροντίστε ώστε να μην πέσει κάτι μέσα στο στόμιο/ακροφύσιο αέρα
    - κρατήστε το εργαλείο προσεκτικά με το ένα χέρι ενώ το σβήνετε με το άλλο, και αφήστε το να κρυώσει
  - Πώς να κρατάτε και να οδηγείτε το εργαλείο ⑪
    - κρατήστε το εργαλείο με το ένα χέρι
    - κρατάτε τις σχισμές αερισμού F ② ακάλυπτες
  - Βασικά εξαρτήματα ②
    - ακροφύσιο προστασίας γυαλιού G (για την κάμψη του ρεύματος αέρα)
    - στρογγυλό ακροφύσιο H (για τη συγκέντρωση του ρεύματος αέρα)
    - ανακλαστικό ακροφύσιο J (για την ανάκλαση του ρεύματος αέρα)
    - ακροφύσιο μείωσης K (για τη συγκέντρωση του ρεύματος αέρα)
- ΣΗΜΕΙΩΣΕΙΣ:**
- όλα τα παραδείγματα χρήσης (με την εξαίρεση της αφαίρεσης χρώματος από παράθυρα) μπορούν να πραγματοποιηθούν χωρίς βοηθητικά εξαρτήματα
  - ωστόσο, η χρήση του κατάλληλου βοηθήματος διευκολύνει την εργασία και βελτιώνει σημαντικά το αποτέλεσμα
  - το εργαλείο αυτό μπορεί επίσης να χρησιμοποιηθεί σε συνδυασμό με ευρέως διαθέσιμα εξαρτήματα για πιστόλια θερμού αέρος
  - Τοποθέτηση/αφαίρεση εξαρτημάτων
    - απλά προσαρμόστε το εξάρτημα στο στόμιο εξαγωγής αέρα L ②
    - αφαιρέστε το εξάρτημα τραβώντας το από το μπροστινό του άκρο όταν έχει κρυώσει
- ! τα εξαρτήματα θα πρέπει να τοποθετούνται μόνο όταν το στόμιο εξαγωγής αέρα είναι κρύο, όταν ο διακόπτης βρίσκεται στη θέση "0" και όταν το φινιρίσμα είναι βγαλμένο από την πρίζα**
- χρησιμοποιήστε το δακτυλίδι απελευθέρωσης ακροφυσίου E για εύκολη αφαίρεση των θερμών ακροφυσίων ⑫
  - Σταθερός έλεγχος της θερμότητας (προστασία υπερφόρτισης)
    - Προστατεύει το θερμαντικό στοιχείο από ενδεχόμενες βλάβες εξαιτίας της υπερφόρτισης του εργαλείου, χωρίς να είναι ανάγκη να σταματήσετε το εργαλείο και/ή να το αφήσετε να κρυώσει για κάποιο χρονικό διάστημα
    - όταν η θερμοκρασία φτάσει σε πολύ υψηλά επίπεδα, το θερμαντικό στοιχείο σβήνει αυτόματα, ενώ το μοτέρ εξακολουθεί να λειτουργεί παράγοντας κρύο αέρα

- όταν η θερμοκρασία έχει πέσει σε επιτρεπτά επίπεδα (κάτι που επιτυγχάνεται μέσα σε λίγα δευτερόλεπτα), το θερμαντικό στοιχείο θα αρχίσει πάλι να λειτουργεί αυτόματα
- ! όταν σβήσει το εργαλείο αφού έχει λειτουργήσει σε ρύθμιση υψηλής θερμοκρασίας, και ανάψει ξανά μετά από σύντομο διάστημα, ίσως χρειαστεί να περάσει κάποιο διάστημα μέχρι το θερμαντικό στοιχείο του να φτάσει στην επιθυμητή θερμοκρασία**

## ΟΔΗΓΙΕΣ ΕΦΑΡΜΟΓΗΣ

- Αφαίρεση χρώματος/βερνικιού ⑬
    - χρησιμοποιείτε έναν καθαρό, αιχμηρό ξύστη
    - ξύστε με δύναμη μόλις μαλακώσει το χρώμα
    - κάντε δοκιμές για να εξακριβώσετε τον απαιτούμενο χρόνο θέρμανσης για την επίτευξη του καλύτερου δυνατού αποτελέσματος
    - ξύστε αμέσως το μαλακό χρώμα, ώστε να μην προλάβει να ξανασκληραίνει
    - κρατάτε μια γωνία 30° με 40° μεταξύ του εργαλείου και της κατεργαζόμενης επιφάνειας
    - αφαιρέστε αμέσως τυχόν υπολείμματα χρώματος και σκουπίδια από τον ξύστη, για να αποφύγετε την ανάφλεξή τους
    - όπου σας βολεύει, να ξύνετε με τα νερά του ξύλου
    - μην κρατάτε το ζεστό ρεύμα αέρα στραμμένο στην ίδια επιφάνεια για μεγάλο χρονικό διάστημα
    - η αποκομιδή των υπολειμμάτων χρώματος θα πρέπει να γίνεται με ασφαλή τρόπο
    - καθαρίστε καλά τον χώρο εργασίας όταν ολοκληρώσετε τις εργασίες σας
  - ! προσοχή όταν αφαιρείτε στρώματα χρώματος σε παλιά κτήρια: ενδέχεται το κτίριο να είχε βαφεί στο παρελθόν με χρώμα που περιείχε μόλυβδο, μια εξαιρετικά δηλητηριώδης ουσία**
  - ! η έκθεση ακόμη και σε χαμηλές ποσότητες μολύβδου ενδέχεται να προκαλέσει σοβαρή βλάβη στον εγκέφαλο και στο νευρικό σύστημα, ιδιαίτερα σε μικρά και αγέννητα παιδιά**
  - ! αναθέστε την αφαίρεση χρώματος που περιέχει μόλυβδο σε κάποιο εξειδικευμένο άτομο, και μη χρησιμοποιείτε τον φυσητήρα θερμού αέρα**
- ΑΛΛΟ ΠΑΡΑΔΕΙΓΜΑ ΧΡΗΣΕΩΣ:**
- ★ αφαίρεση (συνθετικής) ταπεταρίας
  - Αφαίρεση χρώματος/βερνικιού από παράθυρα ⑭
    - χρησιμοποιείτε πάντοτε το ακροφύσιο προστασίας γυαλιού G όταν εργάζεστε κοντά σε γυαλί
    - αφαιρέστε το χρώμα με έναν ξύστη χεριού
  - ! μη χρησιμοποιείτε το εργαλείο για την αφαίρεση χρώματος από παράθυρα με μεταλλικά πλαίσια: το μέταλλο είναι καλός αγωγός της θερμότητας, και θα μπορούσε να σπάσει το τζάμι**
  - Αφαίρεση αυτοκόλλητων (χρησιμοποιήστε το στρογγυλό ακροφύσιο H) ⑮
    - πολλές κολλώδεις ουσίες μαλακώνουν όταν θερμαίνονται, και έτσι μπορείτε να ξεκολλήσετε αυτοκόλλητα και να αφαιρέσετε υπολείμματα κολλας
- ! ζεσταίνετε την επάνω πλευρά του αυτοκόλλητου**
- ! φροντίστε ώστε να μην υπερθερμαίνεται η επιφάνεια κάτω από το αυτοκόλλητο**

#### ΑΛΛΑ ΠΑΡΑΔΕΙΓΜΑΤΑ ΧΡΗΣΕΩΣ:

- ★ αφαίρεση λιτοπάτητα και τάπητα βινυλίου
- ★ αφαίρεση συνθετικών πλακιδίων δαπέδου
- ★ αφαίρεση καπλαμάδων / επικόλληση λωρίδων καπλαμά
- ★ μαλάκυνση/τήξη πίσσας, κασσιτέρου, ασφάλτου, κεριού (χρησιμοποιήστε το στρογγυλό ακροφύσιο H)
- ★ κέρωμα (σκι, έπιπλα) (χρησιμοποιήστε το ακροφύσιο προστασίας γυαλιού G) 16
- ★ αφαίρεση ρητίνης
- ★ λασκάρισμα σκουριασμένων/ σφιχτά βιδωμένων μεταλλικών βιδών, παξιμαδιών και κοχλιών
- ★ αφαίρεση σταγόνων κεριού (**μην υπερθερμαίνετε την κάτω επιφάνεια**)
- ★ επισκευή σπασμένων κεριών / διαμόρφωση λυγισμένων κεριών στο αρχικό τους σχήμα
- Θερμοσυστολή σωλήνων 17
  - χρησιμοποιήστε το ανακλαστικό ακροφύσιο J ή το ακροφύσιο μείωσης K
  - επιλέξτε έναν θερμοσυστελλόμενο σωλήνα με διάμετρο η οποία να αντιστοιχεί στο κατεργαζόμενο κομμάτι
  - ζεσταίνετε ομοιόμορφα τον θερμοσυστελλόμενο σωλήνα

#### ΑΛΛΟ ΠΑΡΑΔΕΙΓΜΑ ΧΡΗΣΕΩΣ:

- ★ συστελλόμενο περιτύλιγμα
- Συγκόλληση υδραγωγών 18
  - Αυτό το εργαλείο είναι κατάλληλο κυρίως για εργασίες με υλικά μαλακής συγκόλλησης (σημείο τήξης κάτω των 400°C)
  - χρησιμοποιήστε το ανακλαστικό ακροφύσιο J
  - καθαρίστε καλά τα δύο σημεία συγκόλλησης πριν τη συγκόλληση
  - προθερμαίνετε και τα δύο σημεία και εφαρμόστε το σύρμα συγκόλλησης (**μη χρησιμοποιείτε το σύρμα συγκόλλησης που περιείχε μόλυβδο**)
- Απόψυξη παγωμένων σωλήνων νερού 19
  - χρησιμοποιήστε το ανακλαστικό ακροφύσιο J
  - θερμαίνετε ομοιόμορφα το παγωμένο σημείο
  - ! πολλές φορές, οι σωλήνες νερού δύσκολα ξεχωρίζουν από τους αγωγούς αερίου - η θέρμανση αγωγών αερίου είναι εξαιρετικά επικίνδυνη: υπάρχει κίνδυνος έκρηξης**

#### ΑΛΛΑ ΠΑΡΑΔΕΙΓΜΑΤΑ ΧΡΗΣΕΩΣ:

- ★ ξεπάγωμα σωλήνων PVC (θέση II, μέγιστη 60°C)
  - ★ ξεπάγωμα παγωμένων κλειδαριών αυτοκινήτων (θέση II, μέγιστη 60°C) (χρησιμοποιήστε το ακροφύσιο μείωσης)
  - ★ απόψυξη καταψυκτών (**μην προξενείτε βλάβη στο πλαστικό περίβλημα**)
  - ★ ξεπάγωμα παγωμένων σκαλοπατιών και πεζοδρομών
  - Διαμόρφωση πλαστικών σωλήνων
    - χρησιμοποιήστε το ανακλαστικό ακροφύσιο J
    - γεμίστε τον σωλήνα με άμμο και σφραγίστε τον από τις δύο πλευρές, για να αποφύγετε τη συστροφή του σωλήνα
    - ζεσταίνετε τον σωλήνα ομοιόμορφα, κινώντας τον από τη μία πλευρά προς την άλλη
- #### ΑΛΛΑ ΠΑΡΑΔΕΙΓΜΑΤΑ ΧΡΗΣΕΩΣ:
- ★ διαμόρφωση όλων των πλαστικών με χαμηλό σημείο τήξης (πολυαιθυλένιο, PVC κλπ.)
  - ★ διαμόρφωση όλων των πλαστικών με υψηλό σημείο τήξης (ακρυλικό γυαλί, πλεξιγκλάς κλπ.)

- ★ διαμόρφωση και κάμψη συνθετικών πλακιδίων δαπέδου
  - ★ διαμόρφωση και κάμψη ξυλείας (μοντελισμός)
  - Συγκόλληση πλαστικών
    - η ραφή συγκόλλησης πρέπει να είναι καθαρή, χωρίς λιπαντικά
    - κρατήστε τη ράβδο συγκόλλησης κοντά στη ραφή και θερμαίνετε μέχρι να γίνει κολλώδης η ράβδος συγκόλλησης
    - απομακρύνετε τον θερμό αέρα μόλις γεμίσει η ραφή συγκόλλησης
- #### ΑΛΛΑ ΠΑΡΑΔΕΙΓΜΑΤΑ ΧΡΗΣΕΩΣ:
- ★ επισκευή σανίδων για σέρφινγκ, σκι και άλλων συνθετικών ειδών αθλητισμού (χρησιμοποιήστε το στρογγυλό ακροφύσιο H)
  - ★ συγκόλληση υλικών PVC
  - ★ εξαφάνιση φυσαλίδων μετά την επικόλληση ετικετών PVC
  - ★ σύνδεση ελαστικών σωλήνων ποτίσματος (χρησιμοποιήστε το ανακλαστικό ακροφύσιο J)
  - Στέγνωμα
    - ! στεγνώνετε μόνο στη χαμηλή ή μεσαία βαθμίδα θερμοκρασίας (θέση I ή II) και σε αυξημένη απόσταση από το κατεργαζόμενο κομμάτι**
    - στέγνωμα χρώματος, βερνικιού, γύψου, κονιάματος (ασβεστοδόστης) και σουβά
    - στέγνωμα βρεγμένου ξύλου πριν το στοκάρισμα
    - γρήγορο στέγνωμα παχιών στρώσεων στόκου ή κόλλας
    - στέγνωμα αρμών κτηρίων πριν την εφαρμογή υλικού μόνωσης ή στεγανοποίησης
    - στέγνωμα αρμών και σχισμών στη ναυπηγία
  - Καθάρισμα/απολύμανση
    - απολύμανση κλουβιών κουνελιών, περιστερώνων κλπ. (**απομακρύνετε πρώτα τα ζώα**)
    - καταπολέμηση αποικιών μυρμηγκιών
    - καταπολέμηση σκουληκιών και σαρακιών του ξύλου (**κρατήστε το εργαλείο στην κατάλληλη απόσταση από το ξύλο**)
    - εξάλειψη ζιζανίων

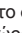
## ΣΥΝΤΗΡΗΣΗ / ΣΕΡΒΙΣ

- Αυτό το εργαλείο δεν προορίζεται για επαγγελματική χρήση
- Ποτέ μη χρησιμοποιείτε εύφλεκτα υγρά για τον καθαρισμό του φυσητήρα, ειδικά του στομίου/ ακροφυσίου αέρα
- Κρατάτε πάντοτε το εργαλείο και το καλώδιο καθαρά (και ιδιαίτερα τις θυρίδες αερισμού F 2)
- Αν παρ' όλες τις επιμελημένες μεθόδους κατασκευής κι ελέγχου το εργαλείο σταματήσει κάποτε να λειτουργεί, τότε η επισκευή του πρέπει να ανατεθεί σ' ένα εξουσιοδοτημένο συνεργείο για ηλεκτρικά εργαλεία της SKIL
  - στείλτε το εργαλείο **χωρίς να το αποσυρμαρμολογήσετε** μαζί με την απόδειξη αγοράς στο κατάστημα από το οποίο το αγοράσατε ή στον πλησιέστερο σταθμό τεχνικής εξυπηρέτησης της SKIL (θα βρείτε τις διευθύνσεις και το διάγραμμα συντήρησης του εργαλείου στην ιστοσελίδα [www.skil.com](http://www.skil.com))
- Να γνωρίζετε ότι βλάβες που προκαλούνται λόγω υπερφόρτωσης ή ακατάλληλου χειρισμού του



εργαλείου, δεν καλύπτονται από την εγγύηση (για τους όρους της εγγύησης της SKIL επισκεφτείτε τη διεύθυνση [www.skil.com](http://www.skil.com) ή απευθυνθείτε στον πλησιέστερο αντιπρόσωπο)

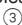
## ΠΕΡΙΒΑΛΛΟΝ

- Μην πετάτε τα ηλεκτρικά εργαλεία, εξαρτημάτα και συσκευασία στον κάδο οικιακών απορριμμάτων (μόνο για τις χώρες της ΕΕ)
  - σύμφωνα με την ευρωπαϊκή οδηγία 2012/19/ΕΚ περί ηλεκτρικών και ηλεκτρονικών συσκευών και την ενσωμάτωσή της στο εθνικό δίκαιο, τα ηλεκτρικά εργαλεία πρέπει να συλλέγονται ξεχωριστά και να επιστρέφονται για ανακύκλωση με τρόπο φιλικό προς το περιβάλλον
  - το σύμβολο  θα σας το θυμήσει αυτό όταν έλθει η ώρα να πετάξετε τις

RO

**Suflantă cu aer cald 8020/8040**

## INTRODUCERE

- Această sculă este destinată îndepărtării vopselei, obținerii unei forme prescrise și sudării materialelor plastice, precum și încălzirii tuburilor izolante termocontractante; scula poate fi, de asemenea, folosită pentru lipire moale și cositorire, pentru slăbirea îmbinărilor cu adeziv și pentru dezghețarea conductelor de apă
- Această sculă nu este destinată utilizării profesionale
- Citiți și păstrați acest manual de instrucțiuni 

## DATE TEHNICE

## ELEMENTELE SCULEI

- A Întrerupător pornit/oprit
- B Butoane pentru reglarea temperaturii (8040)
- C Butoane pentru reglarea jetului de aer (8040)
- D Afișaj (LCD) (8040)
- E Inel de decuplare duză
- F Fantele de ventilație
- G Duză protecție sticlă
- H Duză rotundă
- J Duză reflectoare
- K Duză reductoare
- L Aerisire/duză
- M Cadran rotativ (8020)
- N Buton pentru stocarea în memorie (8040)
- P Buton pentru selectarea memoriei (8040)

## SIGURANȚA

### GENERALITĂȚI

- **Această sculă poate fi folosit de către copiii mai mari de 8 ani și de către persoane cu capacități fizice, senzoriale sau intelectuale limitate**

**sau lipsite de experiență și cunoștințe, numai dacă acestea sunt supravegheate sau sunt instruite privitor la folosirea sigură a sculei și înțeleg pericolele pe care aceasta le implică (în caz contrar există pericol de manevrare greșită și răniri)**

- **Supravegheați copiii (astfel veți fi siguri că aceștia nu se joacă cu scula)**
- **Copiii nu au voie să curețe și să întrețină sculă fără a fi supravegheați**

### ÎNAINTE DE UTILIZARE:

- Verificați funcționarea sculei înaintea fiecărei utilizări și, în cazul unei defecțiuni, cereți unei persoane calificate să o repare; nu desfaceți niciodată dumneavoastră înșivă scula
- Verificați cordonul și ștecherul sculei înaintea fiecărei utilizări iar în cazul unei deteriorări a acestora, cereți unei persoane calificate să le înlocuiască
- Folosiți cabluri de prelungire derulate complet, protejate/izolate, cu o capacitate de 16 amperi
- Nu utilizați niciodată scula electrică atunci când cablul este deteriorat; acesta trebuie înlocuit de producător, de agentul de service sau de persoane calificate în mod similar, pentru a evita un pericol.
- Folosiți scula și accesoriile ei conform acestor instrucțiuni și numai pentru operațiile pentru care este destinată; folosirea sculei pentru operații diferite de cele pentru care scula a fost destinată ar putea duce la situații de risc
- Verificați întotdeauna dacă tensiunea de alimentare este aceeași cu tensiunea indicată pe plăcuța de identificare a sculei
- Asigurați-vă că scula are contactul întrerupt atunci când o contactați la priză

### ÎN TIMPUL FUNCȚIONĂRII:

- Manevrați cu grijă scula; feriiți de foc și arsuri
  - nu atingeți orificiul/duza de evacuare a aerului și obiectul încălzit; ele devin extrem de fierbinți
  - nu țineți orificiul/duza de evacuare a aerului prea aproape de piesa care urmează a fi prelucrată
  - nu orientați curentul de aer fierbinte spre aceeasi suprafață pentru o perioadă prea lungă
  - nu priviți niciodată prin orificiul/duza de evacuare a aerului
  - purtați mănuși de protecție și ochelari de siguranță
  - nu orientați niciodată curentul de aer fierbinte către persoane sau animale
  - nu folosiți niciodată scula pentru a usca părul
  - nu lăsați scula nesupravegheată
  - nu lăsați niciodată scula în apropierea gazelor inflamabile și a materialelor combustibile (**pericol de explozii**)
  - atunci când lucrați cu materiale plastice, vopsea, lac

- și alte materiale asemănătoare se pot produce gaze inflamabile și otrăvitoare; informați-vă în prealabil asupra materialelor care urmează a fi prelucrate
- țineți cont: căldura poate fi transferată materialelor combustibile aproape instantaneu
- pentru siguranță țineți la îndemână o găleată cu apă sau un extingtor pentru cazul în care vreun material ar lua foc
- Preveniți apariția șocului electric
  - nu împingeți niciodată nimic în orificiul /duza de evacuare a aerului
  - evitați contactul corpului sculei cu suprafețele conectate la împământare (de exemplu: țevi, radiatoare, resouri, frigider)
  - asigurați-vă că scula nu se udă
  - nu folosiți scula în locuri umede
  - atunci când o folosiți în aer liber, conectați scula prin intermediul unui întrerupător de curent de defect (FI) cu un curent de declansare de maximum 30mA și folosiți doar un cordon de racord destinat utilizării în aer liber echipat cu o priză protejată împotriva stropirii
- Manevrați cordonul cu grijă
  - țineți întotdeauna cordonul la distanță de curentul de aer fribinte și de orificiul/duza de evacuare a aerului
  - feriți întotdeauna cordonul de căldură, ulei și margini ascuțite
  - nu transportați scula ținând-o de cordon și nu smulgeți cordonul pentru a o deconecta de la priză
  - nu suspendați scula de cordon
- Nu folosiți niciodată scula în timp ce în zonă se află solvenți chimici
- Asigurați-vă că zona de lucru este ventilată corespunzător
- Mențineți curată și bine iluminată zona de lucru
- Fiți vigilenți; fiți atenți la ceea ce faceți, acționați cu simț practic și nu folosiți scula atunci când sunteți obosiți
- Mențineți o poziție sigură a corpului; nu vă întindeți corpul și membrele pentru a lucra, în special peste scări și platforme
- Asigurați-vă că scula are contactul întrerupt înainte de a o așeza
- În cazul unor defecțiuni electrice sau mecanice deconectați imediat instrumentul și scoateți șnurul din priză

#### DUPĂ UTILIZARE:

- așezați scula pe partea din spate în poziție verticală
- Opriiți scula și scoateți-l din priză
- Lăsați scula să se răcească cel puțin 30 de minute înainte de a o depozita
- Nu depozitați/lăsați scula în exterior
- Depozitați scula într-un loc uscat și încălzit, la care copiii să nu aibă acces

#### EXPLICAȚIA SIMBOLURILOR DE PE INSTRUMENT

- ③ Citiți manual de instrucțiuni înainte de utilizare
- ④ Izolație dublă (nu este necesar fir de împământare)
- ⑤ Nu aruncați instrumentul direct la pubelele de gunoi

#### UTILIZAREA

- Întrerupător pornit/oprit cu trepte de temperatură ⑥
- ! **verificați dacă întrerupătorul A ② este în poziția "0" înainte de a conecta la priză**
- conectați scula apăsând întrerupătorul A în poziția dorită

#### 8020

- I = 50°C, jet de aer 350 litri/minut
- II = 450°C, jet de aer 350 litri/minut
- III = 600°C, jet de aer 500 litri/minut

#### 8040

- I = 50°C + jet de aer 250-500 litri/minut
- II = 50°C ... 650°C, jet de aer 250-500 litri/minut
- atunci când o folosiți pentru prima dată, din sculă poate ieși fum; acesta este un lucru normal care va înceta în curând
- întrerupeți contactul sculei apăsând întrerupătorul A în poziția "0"
- Reglarea temperaturii
- ! **există o toleranță pentru temperaturile indicate 50...90 °C: max. 90 °C mai puțin de 300 °C: ±20 % mai mult de 300 °C: ±10 %**

#### 8020

- Folosiți cadranul rotativ M pentru a selecta setarea temperaturii dorite
- folosiți tabelul ⑥ pentru referință

#### 8040 ⑦

- reglați temperatura dorită pe pași de 10°C prin apăsarea scurtă B a butonelor
- apăsarea butoanelor B în mod constant crește/descrește continuu temperatura țintă până când butoanele sunt eliberate și se atinge temperatura minimă/maximă
- după ce temperatura dorită este setată, afișajul D indică săgeți care luminează intermitent până la atingerea temperaturii dorite (doar în poziția „II”)
- temperatura țintă va fi salvată în memoria aparatului, astfel încât de fiecare dată la pornire acesta se va încălzi până la temperatura țintă selectată ultima dată
- Reglarea jetului de aer ⑧ (8040)
  - reglați jetul de aer în modul dorit în pași de 50 l/min apăsând scurt butoanele C
  - pe afișaj D apare setarea reală a jetului de aer într-un grafic bară
- Setarea memoriei ⑨ (8040)
  - pentru a selecta una dintre cele patru setări stocate în memorie, apăsați butonul P
  - pentru a stoca o setare a temperaturii și a fluxului de aer, apăsați butonul P pentru a selecta o locație de memorie, setați temperatura și fluxul de aer dorit și apăsați lung butonul N pentru a stoca setarea
- Utilizare generală
  - stabiliți temperatura corectă testând o parte inobservabilă a piesei care urmează a fi prelucrată; începeți cu o treaptă de temperatură joasă
  - temperatura scade pe măsură ce distanța dintre orificiul/duza de evacuare a aerului și piesa care urmează a fi prelucrată crește
  - temperatura cerută depinde de materialul care urmează a fi prelucrat
- Utilizarea în poziție staționară ⑩
  - așezați scula pe partea din spate în poziție verticală
  - asigurați-vă că suprafața este curată și fără praf; aerul poluat deteriorează motorul
  - asigurați-vă că direcția jetului de aer nu este orientată către dumneavoastră
  - asigurați-vă că scula nu va fi trasă de cordon
  - nu atingeți orificiul / duza de evacuare a aerului

- asigurați-vă că nu cade nimic în orificiul/duza de evacuare a aerului
  - țineți cu grijă scula într-o mână în timp ce îi întrerupeți contactul cu cealaltă mână, apoi lăsați-o sa se răcească
  - Mănuirea și dirijarea sculei ⑪
    - țineți scula cu o mână
    - mențineți fantele de ventilație F ② neacoperite
  - Accesorii standard ②
    - duză de protecție a sticlei G (pentru devierea jetului de aer)
    - duză rotundă H (pentru concentrarea fluxului de aer)
    - duză reflectoare J (pentru reflectarea jetului de aer)
    - duză de reducere K (pentru concentrarea jetului de aer)
- NOTE:
- în toate cazurile (**cu excepția îndepărtării vopselei de pe ferestre**) scula se poate folosi și fără accesorii; în orice caz, utilizarea accesoriilor corespunzătoare simplifică munca și îmbunătățește semnificativ calitatea rezultatelor
  - acest instrument poate fi folosit și în combinație cu accesorii disponibile în comerț pentru pistoale cu aer cald
  - Montarea / demontarea accesoriilor
    - așezați accesoriul pe orificiul de evacuare a aerului L ②
    - demontați un accesoriu trăgându-l după ce s-a răcit

**! montați un accesoriu numai când orificiul de evacuare a aerului s-a răcit, când întrerupătorul este în poziția "0" și când scula este deconectată de la priză**

    - folosiți inelul de decuplare E pentru a îndepărta ușor duzele fierbinți ⑩
  - Kontrola constantă de caldură (protecția la suprasarcină) Protejează elementul de încălzire atunci când scula este suprasolicitată fără a trebui să fie oprită și/sau lăsată să se răcească pentru un timp
    - atunci când temperatura crește prea mult, elementul de încălzire își autoîntrerupe contactul, în timp ce motorul continuă să funcționeze și produce aer rece
    - atunci când temperatura a scăzut suficient (ceea ce durează numai câteva secunde), elementul de încălzire își va redeschide contactul în mod automat

**! când instrumentul este oprit după utilizarea la o setare ridicată a temperaturii și pornit din nou după o scurtă pauză, poate dura o perioadă până când elementul de încălzire ajunge la temperatura dorită**

## SFATURI PENTRU UTILIZARE

- Îndepărtarea vopselei/lacului ⑬
  - folosiți o răzuitoare curată, ascuțită
  - răzuțiți cu putere atunci când vopseaua se înmoaie
  - testați pentru a stabili durata necesară aplicării încălzirii pentru a obține rezultate optime
  - răzuțiți vopseaua înmuiață imediat, în caz contrar ea se va întări din nou
  - mențineți un unghi de 30° până la 40° între sculă și piesa care este prelucrată
  - îndepărtați imediat vopseaua și reziduurile de pe răzuitoare pentru ca acestea să nu ia foc
  - răzuțiți până la fibra lemnului acolo unde este posibil
  - nu orientați curentul de aer fierbinte spre aceeași suprafață pentru o perioadă prea lungă

- eliminați toate reziduurile de vopsea luând măsuri de siguranță
  - curățați complet zona de lucru după ce ați terminat lucrul
  - ! aveți grijă ca atunci când îndepărtați straturile de vopsea din clădirile vechi; în trecut clădirile vechi ar fi putut fi vopsite cu vopsea pe bază de plumb care este foarte otrăvitoare**
  - ! expunerea chiar la nivele mici de plumb poate afecta creierul și sistemul nervos; în mod deosebit copiii mici și feții sunt vulnerabili**
  - ! lăsați un specialist să îndepărteze vopseaua pe bază de plumb fără a folosi un tun pentru încălzire**
- ALTĂ POSIBILITATE DE FOLOSIRE:
- ★ îndepărtarea tapetului (sintetic)
  - Îndepărtarea vopselei/lacului de pe ferestre ⑭
    - folosiți întotdeauna duza de protecție a sticlei G atunci când lucrați în apropierea sticlei
    - îndepărtați vopseaua cu o răzuitoare de mână

**! nu folosiți scula pentru a îndepărta vopseaua de pe ferestre cu ramă metalică; metalul este conductor de căldură ceea ce ar putea duce la spargerea sticlei**
  - Îndepărtarea etichetelor (folosiți duza rotundă H) ⑮
    - mulți adevizi se înmoaie atunci când sunt încălziti, permițând desprinderea etichetei și îndepărtarea adezivului de prisos

**! încălziți eticheta pe latura superioară**

**! aveți întotdeauna grijă să nu supraîncălziți suprafața de sub etichetă**
- ALTE POSIBILITĂȚI DE FOLOSIRE:
- ★ îndepărtarea linoleumului și a covoarelor pe bază de vinil
  - ★ îndepărtarea mochetei din fibre sintetice
  - ★ îndepărtarea furnirului / aplicarea fâșiilor de furnir
  - ★ înmuierea / topirea smoalei, a cositorului, a bitumului, a cerii (folosiți duza rotundă H)
  - ★ ceruira (schieri, mobilier) (folosiți duza de protecție a sticlei G) ⑯
  - ★ îndepărtarea răsinii
  - ★ slăbirea suruburilor, piulițelor și a bolțurilor metalice ruginite / prea puternic strânse
  - ★ îndepărtarea cerii de lumânare (**nu supraîncălziți suprafața de dedesubt**)
  - ★ repararea lumânărilor rupte / readucerea lumânărilor la forma inițială
  - Asamblarea prin contracție ⑰
    - folosiți duza reflectoare J sau duza de reducere K
    - alegeți un tub pentru asamblare prin contracție cu un diametru care să se potrivească cu cel al piesei care urmează a fi prelucrată
    - încălziți uniform tubul pentru asamblare prin contracție

ALTĂ POSIBILITATE DE FOLOSIRE:
  - ★ ambalarea prin contracție
  - Lîpirea moale a conductelor de apă ⑱
    - Această sculă este optimă pentru lucrul cu aliaje pentru lipire moale (punctul de topire sub 400° C)
    - folosiți duza reflectoare J
    - curățați complet ambele secțiuni de asamblare înaintea lipirii
    - preîncălziți ambele secțiuni și aplicați firul pentru lipire moale (**nu folosiți firul pentru lipire moale pe bază de plumb**)

- Dezghețarea conductelor de apă înghețate ①9
  - folosiți duza reflectoare J
  - încălziți uniform zona înghețată
- ! **conductele de apă sunt adeseori greu de deosebit de conductele de gaz; încălzirea conductelor de gaz este extrem de periculoasă, există riscul exploziei**

#### ALTE POSIBILITĂȚI DE FOLOSIRE:

- ★ dezghețarea conductelor de apă produse din PVC (**poziția II, max. 60°C**)
- ★ dezghețarea încuietorilor înghețate ale automobilelor (**poziția II, max. 60°C**) (folosiți duza de reducere)
- ★ dezghețarea frigiderelor (**nu deteriorați carcasa din plastic**)
- ★ dezghețarea treptelor și a trotuarelor acoperite cu gheață
- Obținerea unei forme dorite a tuburilor din plastic
  - folosiți duza reflectoare J
  - umpleți tubul cu nisip și sigilați-l la ambele capete pentru a evita răsucirea tubului
  - încălziți uniform tubul mișcându-l dintr-o parte în alta

#### ALTE POSIBILITĂȚI DE FOLOSIRE:

- ★ obținerea formei dorite a materialelor plastice cu punct de topire scăzut (polietilenă, PVC etc)
- ★ obținerea formei dorite a materialelor plastice cu punct de topire ridicat (sticlă acrilică, plexiglas etc)
- ★ obținerea formei dorite și îndoirea mochetelor produse din fibre sintetice
- ★ obținerea formei dorite și îndoirea lemnului (construcția machetelor)
- Sudarea materialelor plastice
  - cordonul de sudură trebuie să fie curat și fără urme de grăsime
  - țineți electrodul de sudură aproape de cordonul de sudură și încălziți până când electrodul de sudură devine vâscos
  - îndepărtați surasa de căldură atunci când cordonul de sudură este umplut

#### ALTE POSIBILITĂȚI DE FOLOSIRE:

- ★ repararea plăcilor pentru surfing, a schiurilor și a altor articole sportive din materiale sintetice (utilizați duza rotundă H)
- ★ sudarea materialelor din PVC
- ★ netezirea bulelor de aer după lipirea etichetelor din PVC
- ★ conectarea furtunelor de grădină (utilizați duza reflectoare J)
- Uscarea
  - ! **uscați doar la o treaptă de temperatură joasă sau media (poziția I sau II) la o distanță mare între sculă și piesa ce urmează a fi prelucrată**
  - uscarea vopselei, lacului, gipsului, mortarului și ipsosului
  - uscarea lemnului ud înainte de rindeluire
  - uscarea rapidă a materialului de etanșare a rosturilor sau a adezivului, aplicate în strat gros
  - uscarea rosturilor construcțiilor înainte de pulverizarea materialelor de izolație sau sigilare
  - uscarea rosturilor sau a fisurilor în construcția bărcilor
- Curățare / dezinfectare
  - dezinfectarea cuștilor pentru iepuri, coliviilor pentru porumbei etc (**în prealabil scoateți animalul din cușcă**)
  - combaterea coloniilor de furnici

- combaterea cariilor și a gândacilor (**țineți scula la o distanță corespunzătoare față de lemn**)
- eliminarea buruienilor

## ÎNȚREȚINERE / SERVICE

- Această sculă nu este destinată utilizării profesionale
- Nu folosiți niciodată lichide ușor inflamabile pentru curățarea tunului pentru încălzire în general și a orificiilor/duzei de evacuare a aerului în particular
- Păstrați aparatul și cablul curat (mai ales fantele de ventilație F ②)
- Dacă în ciuda procedeelelor de fabricație și control riguroase scula are totuși o pană, repararea acesteia se va face numai la un atelier de asistență service autorizat pentru scule electrice SKIL
  - trimiteți scula **în totalitatea lui** cu bonul de cumpărare la distribuitorul sau la centrul de service SKIL cel mai apropiat (adrese și diagrame de service se găsesc la [www.skil.com](http://www.skil.com))
- Trebuie să fiți conștienți de faptul că deteriorarea datorată suprasarcinii sau utilizării incorecte a sculei vor fi excluse din garanție (pentru condițiile de garanție SKIL consultați [www.skil.com](http://www.skil.com) sau întrebați distribuitorul)

## MEDIUL

- **Nu aruncați sculele electrice, accesoriile sau ambalajele direct la pubelele de gunoi** (numai pentru țările din Comunitatea Europeană)
  - Directiva Europeană 2012/19/EC face referire la modul de aruncare a echipamentelor electrice și electronice și modul de aplicare a normelor în conformitate cu legislația națională; sculele electrice în momentul în care au atins un grad avansat de uzură și trebuie aruncate, ele trebuie colectate separat și reciclate într-un mod ce respectă normele de protecție a mediului inconjurător
  - simbolul ⑤ vă va reaminti acest lucru

BG

## Пистолет за горещ въздух 8020/8040

### УВОД

- Инструмента е предназначена за премахване на боя, оформяне и спояване на пластмасови изделия и нагрыване на топлинно-свиващи се тръби; инструментa е подходяща и за спояване, калайдисване, разхлабване на слепени връзки и размиряване на водни тръби
- Този инструмент не е предназначен за професионална употреба
- Прочетете и пазете това ръководство за работа ③

## ТЕХНИЧЕСКИ ДАННИ ①

### ЕЛЕМЕНТИ НА ИНСТРУМЕНТА ②

- A** Прекъсвач за включване/изключване
- B** Бутони за настройка на температура (8040)
- C** Бутони за настройка на въздушния поток (8040)
- D** Дисплей (LCD) (8040)
- E** Халка за освобождаване на дюзи
- F** Вентилационните отвори

- G Стъклозащитна дюза
- H Кръгла дюза
- J Рефлекторна дюза
- K Намаляваща дюза
- L Въздушен отвор/дюза
- M Въртящ диск (8020)
- N Бутон за съхраняване в паметта (8040)
- P Бутон за избор от паметта (8040)

## БЕЗОПАСНОСТ

### ОБЩИ

- **Този инструмент може да се използва от деца от 8-годишна възраст и лица с ограничени физически, сензорни или душевни възможности или без достатъчно опит, ако са под непосредствен надзор от лица, отговорни за безопасността им, или ако са били обучени за сигурна работа със инструмента и разбират свързаните с това опасности (в противен случай съществува опасност от неправилно ползване и трудови злополуки)**
- **Децата трябва да са под постоянен надзор (така предотвратяват опасността децата да играят със инструмента)**
- **Не се допуска почистването и техническото обслужване на инструмента да се извършва от деца, които не са под пряк надзор**

### ПРЕДИ УПОТРЕБА:

- Преди всяка употреба проверете изправността на инструмента, и в случай на дефект, незабавно се обърнете към квалифициран специалист; никога не отваряйте инструмента сами
- Преди всяка употреба проверете кабела и щепсела и в случай, че са повредени, се обърнете към квалифициран специалист за подмяна
- Използвайте напълно развити и безопасени разклонители с капацитет 16 A
- Никога не използвайте инструмента, ако кабелът е повреден; той трябва да бъде заменен от производителя, негов сервизен агент или също така квалифицирани лица, за да се избегне опасност.

- При употреба на инструмента и консумативите се съобразявайте с инструкциите за работа с тях; използването на инструмента за извършване на операции, различни от описаните може да доведе до рискови ситуации
- Преди включване на инструмента в контакта се уверете, че мрежовото напрежение отговаря на напрежението, обозначено на фирмената табелка на инструмента
- При включване в контакта се уверете, че електроинструмента е изключена

### ПРИ УПОТРЕБА:

- Работете с инструмента внимателно, като се предпазвате от възпламеняване или избухване
  - не докосвайте въздушната дюза и нагретите части; те се нагряват до много висока температура
  - не дръжте въздушната дюза твърде близо до повърхностите, които обработвате
  - не задържайте въздушния поток насочен в една посока прекалено дълго време
  - никога не насочвайте въздушната дюза срещу лицето си
  - носете защитни ръкавици и предпазни очила
  - никога не насочвайте въздушния поток срещу хора или животни
  - никога не използвайте инструмента за изсушаване на коса
  - не оставяйте инструмента без надзор
  - никога не използвайте инструмента в близост до лесно-възпламеними газове или взривоопасни материали (**възникване на експлозия**)
  - при работа с пластмаса, боя, лак и други подобни материали, има вероятност да се отделят лесно-възпламеними или отровни газове; затова предварително се уведомете за състава на материалите, с които ще работите
  - внимавайте - топлината може да се пренесе и върху материали, извън полезрението Ви
  - като предпазна мярка в случай на възпламеняване на материала, винаги имайте в наличност кофа с вода или пожарогасител
- Защита от електрически удар
  - никога не пъхайте предмети във въздушната дюза
  - избягвайте директен контакт със заземени повърхности (т.е. тръби, радиатори, печки, хладилници)
  - пазете инструмента от намокряне или овлажняване
  - не използвайте инструмента във влажни места
  - при употреба на открито, свържете инструментa посредством електрически прекъсвач (FI) с максимален начален ток 30 mA, и използвайте единствено кабела, предназначен за употреба на открито и снабден със защитени съединителни контакти
- Работете с инструмента внимателно
  - пазете кабела от горещия въздушен поток и въздушната дюза
  - пазете кабела далеч от горещи предмети и остри ръбове
  - не носете инструмента за кабела, и при изключване не дърпайте кабела от контакта
  - не увисвайте инструмента за кабела

- Не използвайте инструмента в комбинация с химически разтворители
- Подсигурете добра вентилация на работната площ
- Пазете работната повърхност чиста и добре осветена
- Работете внимателно; следете действията си и никога не използвайте инструмента когато сте уморени
- Заемете сигурна позиция; не се навеждайте или протягайте твърде напред, особено когато сте върху стълба или платформа
- Изключете инструмента след приключване на операцията
- В случай на електрическа или механична неизправност, изключете незабавно апарата и прекъснете контакта с електрическата мрежа

#### СЛЕД УПОТРЕБА:

- поставете инструмента в изправено положение върху задната и част
- Изключете инструмента и извадете щепсела от контакта
- Преди да приберете инструмента я оставете да изстине минимум 30 минути
- Не съхранявайте/оставайте инструмента на открито
- Съхранявайте инструмента в сухи и сигурни помещения, недостъпни за деца

#### ОБЯСНЕНИЕ НА СИМВОЛИТЕ ПО ИНСТРУМЕНТА

- ③ Преди употреба прочетете ръководството с указания
- ④ Двойна изолация (не се изисква кабел за заземяване)
- ⑤ Не изхвърляйте инструмента заедно с битови отпадъци

## УПОТРЕБА

- Включване/Изключване на ключа в положения, в зависимост от температурата ⑥
- ! преди да включите в контакта, се уверете че ключът А ② е в положение "0"**
- включете инструмента като превключите ключа А в необходимата позиция:
  - 8020**
  - I = 50°C, въздушен поток 350 литра/минута
  - II = 450°C, въздушен поток 350 литра/минута
  - III = 600°C, въздушен поток 500 литра/минута
  - 8040**
  - I = 50°C + въздушен поток 250-500 литра/минута
  - II = 50°C ... 650°C, въздушен поток 250-500 литра/минута
- при употреба за първи път, е възможно от инструмента да се отдели пушек, който след известно време спира
- изключете инструмента, като за целта превключите ключа А в положение "0"
- Настройване на температурата
- ! има допус на посочените температури**
- 50...90°C: макс 90°C**
- под 300°C: ±20%**
- над 300°C: ±10%**
- 8020**
- използвайте въртящия се диск М за да изберете желаната настройка на температурата
- използвайте таблица ⑥ като еталон
- 8040 ⑦**
- изберете желаната температура, на интервали от по 10°C, чрез краткотрайно натискане на бутоните В

- продължителното натискане на бутоните В увеличава/намалява желаната температура постоянно, докато не пуснете бутоните или докато не бъде достигната минималната/максималната температура
- след като целевата температура е зададена, дисплеят D показва мигащи стрелки, докато желаната температура бъде достигната (само в позиция „II“)
- избраната температура се запаметява в паметта на устройството, така че при всяко следващо включване уреда се загрева до температурата, която е била настроена последно
- Настройка на въздушния поток ⑧ (8040)
- изберете желания въздушен поток на интервали от по 50 л/мин, чрез краткотрайно натискане на бутоните С
- дисплеят D показва актуалната настройка на потока въздух в хистограма
- Настройка на паметта ⑨ (8040)
- за да изберете една от четирите записани настройки на паметта, натиснете бутон Р
- за да запазите настройките за температура и въздушен поток, натиснете бутон Р за избор на местоположение в паметта, задайте желаните температура и въздушен поток, след което натиснете и задръжте бутон N, за да запазите настройката
- Обща употреба
- предварително тествайте работната температура върху част от работната повърхност; започнете работа с ниска температура
- при увеличаване на разстоянието между въздушната дюза и работната повърхност температурата спада
- необходимата температура зависи от материала, който ще обработвате
- Употреба в неподвижно състояние ⑩
- поставете инструмента в изправено положение върху задната и част
- уверете се, че повърхността е чиста и незапращена; замърсеният въздух поврежда мотора
- уверете се, че въздушният поток не е насочен към Вас
- за да избегнете събаряне на инструмента, при работа внимавайте да не закачите кабела
- не докосвайте въздушните дюзи
- защитете дюзата от попадане на предмети или частици в нея
- дръжте внимателно инструмента с една ръка; с другата ръка я изключете и я оставете да изстине
- Държане и насочване на инструмента ⑪
- дръжте инструмента с една ръка
- оставайте вентилационните отвори F ② непокрити
- Стандартни аксесоари ⑫
- защитна дюза G (за отклоняване на въздушния поток)
- кръгла дюза H (за концентриране на въздушния поток)
- рефлекторна дюза J (за пречупване и отразяване на въздушния поток)
- намаляваща дюза K (за концентриране на въздушния поток)

## ЗАБЕЛЕЖКИ:

- всички операции с инструмента (**с изключение на премахването на боя от прозорци**) могат да се извършват без помощта на аксесоари; употребата на подходящи аксесоари обаче улеснява работата и значително подобрява качеството на резултатите
- този електроинструмент може да се използва в комбинация с общодостъпни аксесоари за пистолети за горещ въздух
- **Монтаж/Демонтаж на аксесоарите**
  - монтажът се извършва като аксесоарът се поставя във въздушната дюза L ②
  - демантирането на аксесоара се извършва като последният се издърпва напред след окончателно охлаждане
- ! **монтажът на аксесоарите се извършва само когато дюзата е студена, превключвателят е в положение "0" и щепселът е изключен от контакта**
  - използвайте халката за освобождаване на дюзи E за отстраняването на дюзите ⑫
- **Постоянна настройка на топлината (защита от претоварване)**

Предпазва нагрявания елемент от повреда при претоварване на инструмента без необходимост от спиране на работата и/или изчакване до пълно охлаждане

  - при повишаване на температурата до твърде висока стойност, нагряваният елемент се самоизключва; моторът продължава да работи, произвеждайки студен въздух
  - когато температурата спадне до необходимата стойност (този процес обикновено отнема няколко секунди), загряваният елемент автоматично се включва
- ! **когато електроинструментът се изключи след работа при настройка за висока температура и се включи отново след кратка пауза, може да е нужно известно време, преди нагревателният елемент да достигне желаната температура**

## УКАЗАНИЯ ЗА РАБОТА

- **Премахване на боя/лак ⑬**
  - използвайте чисто, остро стъргало
  - здраво изстържете боята, когато тя оменке
  - предварително тествайте необходимото време за загряване за достигане на оптимални резултати
  - когато боята оменке, веднага я изстържете; в противен случай тя отново ще се втвърди
  - гълтът между инструмента и работната повърхност трябва да е между 30° и 40°
  - за да избегнете възпламеняване, веднага премахнете боята и частиците от шпаклата или инструмента, с който работите
  - където е възможно стържете по надлъжните разрези на дървото
  - не задържайте въздушния поток насочен в една посока прекалено дълго време
  - внимателно премахнете всички остатъци от боя
  - след приключване на работа старателно почистете работната повърхност
- ! **внимавайте при премахване на пластове боя от стари сгради; има вероятност сградите да**

**са били боядисани с бои, съдържащи олово, което е силно отровно**

- ! **дори в малки количества, оловото може да причини сериозни умствени повреди и повреди в нервната система; най-уязвими са малките деца и бременните жени**
- ! **при наличие на такъв вид боя, не използвайте инструмента, а се консултирайте със специалист**

### ДРУГИ ОБЛАСТИ НА ПРИЛОЖЕНИЕ:

- ★ **премахване на (синтетични) стени покрития**
- **Премахване на боя/лак от прозорци ⑭**
  - при работа в близост до стъкла **винаги** използвайте стъклозащитна дюза G
  - премахнете боята с ръчен инструмент
- ! **не използвайте инструмента за премахване на боя от прозорци с метални наси или рамки; металът е топлопроводим материал и може да доведе до счупване на стъклото**
- **Премахване на стикери (използвайте кръглата дюза H) ⑮**
  - при нагряване голяма част от лепилата омокват, като по този начин залепените връзки се разкъсват
- ! **загривайте стикерите откъм горната част**
- ! **не прегравайте долната повърхност**
- ДРУГИ ОБЛАСТИ НА ПРИЛОЖЕНИЕ:
- ★ **премахване на балатуми и линолеуми**
- ★ **премахване на настилки, съдържащи синтетични влакна**
- ★ **премахване на фурнири/фурнирни ленти**
- ★ **омекотяване/Стапяне на катран, смола, калай, восък (използвайте кръглата дюза H)**
- ★ **смазване с восък (ски, мебели) (използвайте стъклозащитна дюза G) ⑯**
- ★ **премахване на смоли и клеи**
- ★ **разхлабване на ръждиви или твърде стегнати метални резби, болтове и гайки**
- ★ **отстраняване на восък от свеци (не прегравайте долната повърхност)**
- ★ **поправка на счупени свеци или възстановяване на огънати свеци до първоначалната им форма**
- **Стесняване на фитинги ⑰**
  - използвайте рефлекторната дюза J или намаляващата дюза K
  - изберете тръба, чийто фитинг трябва да се стеснява, с диаметър, съответстващ на работната част
  - нагreete тръбата равномерно
- ДРУГИ ОБЛАСТИ НА ПРИЛОЖЕНИЕ:
- ★ **пристигане на обвивки**
- **Спояване на водни тръби ⑱**

Машината е предназначена за работа предимно с меки спойки (точка на стопяване под 400°)

  - използвайте рефлекторната дюза J
  - преди спояване внимателно почистете двете свързващи части
  - предварително нагreete двете свързващи части и поставете тенол (**не използвайте тенол съдържащи олово**)
- **Размразяване на замразени водни тръби ⑲**
  - използвайте рефлекторната дюза J
  - равномерно нагreete замразената повърхност

**! понякога е трудно да се разграничат водните от газ-тръбите; нагряването на газови тръби е изключително опасно - съществува риск от експлозия**

**ДРУГИ ОБЛАСТИ НА ПРИЛОЖЕНИЕ:**

- ★ размразяване на водни PVC тръби (**положение II, макс. 60°C**)
- ★ размразяване на замръзнали автомобилни ключалки (**положение II, макс. 60°C**) (използвайте намаляващата дюза)
- ★ размразяване на фризери/хладилници (**внимавате с пластмасовите части**)
- ★ размразяване на покрити с лед плочки или павета
- **Оформяне на пластмасови тръби**
  - използвайте рефлекторната дюза J
  - напълнете тръбата с пясък и запечатайте двата и края, за да избегнете огъване на тръбата
  - зарейте тръбата равномерно като движите от едната към другата посока

**ДРУГИ ОБЛАСТИ НА ПРИЛОЖЕНИЕ:**

- ★ оформяне на пластмасови изделия с ниска точка на топене (полиетилен, PVC и др.)
- ★ оформяне на пластмасови изделия с висока точка на топене (плексиглас и др.)
- ★ оформяне и огъване на настилки, съдържащи синтетични влакна
- ★ оформяне и огъване на дървото (изработка на модели)
- **Заваряване на пластмасови изделия**
  - спойващият шев трябва да бъде чист и без наличие на мазнини
  - дръжте спояващият електрод близо до шева и нагreete, докато той стане лепкав
  - когато шевът се запълни спрете нагряването

**ДРУГИ ОБЛАСТИ НА ПРИЛОЖЕНИЕ:**

- ★ поправка на сърфове, ски и други синтетични спортни стоки (използвайте кръглата дюза H)
- ★ заваряване на PVC-материали
- ★ изглаждане на грапавини и фуги след залепване на надписи от PVC
- ★ зашиване на градински маркучи (използвайте рефлекторната дюза J)

• **Изушаване**

- ! **изсушавайте само при ниски или средни температури (положение I или II) и с увеличено разстояние между инструмента и работата повърхност**
- изсушаване на боя, лак, гипс, хоросан и мазилка
- изсушаване на мокри дървени материали преди употреба
- изсушаване на дебели слоеве пълнежи или бързодействащи лепила
- изсушаване на съединения на сгради непосредствено преди изолиране или запечатване
- изсушаване на съединения и пукнатини на плавателни съдове
- **Почистване/дезинфекция**
  - дезинфекция на зайчарници, гълъбарници и др (**преди дезинфекция извадете животните**)
  - унищожаване на дървояди
  - унищожаване на дървесни бръмбари (**дръжте инструмента на подходящо разстояние от дървото**)
  - почистване на плевели

## ПОДДРЪЖКА / СЕРВИЗ

- Този инструмент не е предназначен за професионална употреба
- Не използвайте лесно възпламеними течности за почистване на инструмента, особено на дюзите
- Поддържайте винаги електроинструмента и запазващия кабел чисти (особено вентилационните отвори F ②)
- Ако въпреки прецизното производство и внимателно изпитване възникне повреда, инструмента да се занесе за ремонт в оторизиран сервиз за електроинструменти на SKIL
  - занесете инструмента **в неразглобен вид** заедно с доказателство за покупката му в търговския обект, откъдето сте го закупили, или в най-близкия сервиз на SKIL (адресите, както и схемата за сервизно обслужване на електроинструмента, можете да намерите на адрес [www.skil.com](http://www.skil.com))
- Имайте предвид, че повреда поради претоварване или неправилно манипулиране с инструмента ще бъдат изключени от гаранцията (за условията на гаранцията от SKIL виж на интернет адрес: [www.skil.com](http://www.skil.com) или попитайте вашия дилър)

## ОПАЗВАНЕ НА ОКОЛНАТА СРЕДА

- **Не изхвърляйте електроуредите, приспособленията и опаковките заедно с битови отпадъци** (само за страни от ЕС)
  - съобразно Директивата на ЕС 2012/19/EG относно износени електрически и електронни уреди и отразяването ѝ в националното законодателство износените електроуреди следва да се събират отделно и да се предават за рециклиране според изискванията за опазване на околната среда
  - за това указва символът ⑤ тогава когато трябва да бъдат унищожени

SK

## Horúcovzdušné pištrole 8020/8040

### ÚVOD

- Tento nástroj je určený na odstraňovanie náterov, na tvarovanie a spájanie materiálov z plastov a na zahrievanie potrubí, ktoré sú tvarovateľné a zváratelné teplom; nástroj je tiež vhodný na spájkovanie a cinovanie, na uvoľňovanie lepených spojov a na rozmrazovanie vodovodných rúr
- Tento nástroj nie je vhodný pre profesionálne použitie
- Prečítajte a uschovajte tento návod na použitie ③

### TECHNICKÉ ÚDAJE ①

### ČASTI NÁSTROJA ②

- A Vypínač zapnutie/vypnutie
- B Tlačidlo na nastavenie teploty (8040)
- C Tlačidlo na nastavenie prúdu vzduchu (8040)
- D Displej (LCD) (8040)
- E Krúžok na uvoľnenie dýzy
- F Vetracie štrbiny
- G Dýza na ochranu skla



- H Okrúhla dýza
- J Odrážacia dýza
- K Redukčná dýza
- L Vzduchový otvor/dýza
- M Číselník (8020)
- N Tlačidlo na uloženie do pamäte (8040)
- P Tlačidlo na výber z pamäte (8040)

## BEZPEČNOSŤ

### VŠEOBECNE

- **Tento nástroj môžu používať deti od 8 rokov a osoby s obmedzenými fyzickými, zmyslovými alebo duševnými schopnosťami alebo s nedostatočnými skúsenosťami a vedomosťami vtedy, keď sú pod dozorom osoby zodpovednej za ich bezpečnosť alebo ak ich táto osoba poučila o bezpečnom zaobchádzaní s nástroja a chápu nebezpečenstvá, ktoré sú s tým spojené (v opačnom prípade existuje riziko chybnjej obsluhy a vzniku poranení)**
- **Dávajte pozor na deti (takýmto spôsobom zabezpečíte, aby sa deti nehrali s nástrojom)**
- **Deti nesmú vykonávať čistenie a údržbu nástroje bez dohľadu**

### PRED POUŽITÍM:

- Skontrolujte funkčnosť nástroja pred každým použitím a v prípade poruchy ju dajte okamžite opraviť kvalifikovanou osobou; nikdy neotvárajte nástroj sám
- Prekontrolujte prípojnú šnúru a zástrčku pred každým použitím, ak sú poškodené, nechajte ich vymeniť kvalifikovanou osobou
- Používajte úplne odmontovanú a bezpečnú predlžovaciu šnúru s kapacitou 16 A
- Nikdy nepoužívajte náradie s poškodeným káblom; kábel musí vymeniť výrobca, servisný technik alebo iná kvalifikovaná osoba, aby sa zabránilo nebezpečenstvu.
- Používajte nástroj a jeho doplnky v súlade s touto príručkou a na účely, na ktoré je nástroj určený; používanie nástroja na činnosti iné, než na aké je normálne nástroj určený môže mať za následok rizikové situácie
- Vždy skontrolujte či je napájacie napätie rovnaké ako napätie uvedené na štítku nástroja
- Pri zapínaní do zástrčky sa vždy uistite, že nástroj je vypnutý

### POČAS POUŽITIA:

- Zachádzajte s nástrojom opatrne; chráňte pred ohňom a spálením
  - nedotýkajte sa vzduchovej dýzy/otvoru a ohrievaného otvoru; sú veľmi horúce
  - nedržte vzduchovú dýzu/otvor príliš blízko, objektu s ktorým sa bude pracovať
  - nikdy nesmerujte prúd horúceho vzduchu na to isté miesto príliš dlho
  - nikdy sa nepozerajte do vzduchového otvoru/dýzy
  - používajte ochranné rukavice a okuliare
  - nikdy nesmerujte prúd horúceho vzduchu na ľudí alebo na zvieratá
  - nikdy nepoužívajte nástroj na sušenie vlasov
  - nikdy nenechávajte nástroj bez obsluhy
  - nikdy nepoužívajte nástroj v tesnej blízkosti horľavých plynov alebo horľavých materiálov (**nebezpečenstvo výbuchu**)
  - pri práci s materiálmi z plastov, s nátermi, lakmi, alebo s podobnými materiálmi, a s materiálmi, ktoré môžu produkovať horľavé a jedovaté plyny, informujte sa dopredu o materiáloch s ktorými budete pracovať
  - vezmite do úvahy, že sa teplo môže preniesť na horľavé materiály, ktoré sú mimo vášho zorného poľa
  - aby ste zabezpečili bezpečnosť pre prípad, že sa nejaký materiál vznietí, majte vždy poruke vedro s vodou, alebo hasiaci prístroj
- Zabráňte úrazu elektrickým prúdom
  - nikdy nič nepchajte do vzduchového otvoru/dýzy
  - vyhýbajte sa kontaktu tela s uzemnenými povrchmi (napr. s rúrami, radiátormi, sporákmi, chladničkami)
  - zabezpečte, aby sa do nástroja nedostala vlhkosť
  - nikdy nepoužívajte nástroje na vlhkých miestach
  - keď sa používa vonku, pripojte nástroj cez stykačový ističporuchového prúdu (FI) s maximálnym spúšťacím prúdom 30 mA a používajte predlžovaciu šnúru, ktorá je určená na vonkajšie použitie a ktorá má vodotesnú prípojnú zástrčku
- So šnúrou narábajte opatrne
  - šnúru vždy držte stranou od prúdu horúceho vzduchu a mimo vzduchového otvoru/dýzy
  - držte šnúru stranou od tepla, mimo oleja a ostrých hrán
  - nenoste nástroj tak, že visí na šnúre a neťahajte za šnúru, keď ju chcete odpojiť zo zástrčky
  - nevypínajte nástroj šnúrou
- Nikdy nepoužívajte nástroj s chemickými roztokmi
- Presvedčte sa, že pracovný priestor je patrične vetraný
- Udržujte pracovisko čisté a dobre osvetlené
- Buďte pozorný, dávajte pozor na to čo robíte a nepracujte s nástrojom, keď ste unavený
- Zaujmite bezpečný postoj; nezachádzajte príliš ďaleko, najmä na rebríkoch a na lešeniach
- Predtým, ako položíte nástroj nabok, presvedčte sa, že je vypnutý
- V prípade elektrickej alebo mechanickej poruchy zastavte okamžite nástroj a vytiahnite zástrčku z nástennej zásuvky

### PO POUŽITÍ:

- položte nástroj na jeho zadnú časť, tak že je otvor hore
- Vypnite nástroj a odpojte zo zástrčky
- Nechajte nástroj vychladieť najmenej 30 minút, predtým ako ho odložíte
- Neskladujte/nenechávajte nástroj vonku
- Nástroj skladujte na suchom a uzamknutom mieste, mimo dosahu detí

## VYSVETLENIE SYMBOLOV NA NÁSTROJI

- ③ Pred použitím si prečítajte návod na obsluhu
- ④ Dvojité izolácia (nevyžaduje sa uzemňovací kábel)
- ⑤ Nástroj nevyhadzujte do komunálneho odpadu

## POUŽITIE

- Vypínač zapnuté/vypnuté s nastaveniami teploty ⑥  
**! skontrolujte, či je vypínač A ②, pred zapojením do zástrčky, v polohe "0"**

- zapnite nástroj zatlačením vypínača A do požadovanej polohy:

### 8020

I = 50°C, prúd vzduchu 350 litrov za minútu  
II = 450°C, prúd vzduchu 350 litrov za minútu  
III = 600°C, prúd vzduchu 500 litrov za minútu

### 8040

I = 50°C + prúd vzduchu 250-500 litrov za minútu  
II = 50°C ... 650°C, prúd vzduchu 250-500 litrov za minútu

- keď sa nástroj používa prvý raz, môže sa stať, že z nástroja bude vychádzať nejaký dym; je to normálne a za chvíľu to skončí

- vypnite nástroj zatlačením vypínača A do polohy "0"

- Nastavenie teploty

**! udávané hodnoty teploty majú povolené odchýlky 50...90 °C: max 90 °C menej ako 300 °C: ±20 % viac ako 300 °C: ±10 %**

### 8020

- použite číselník M na výber požadovaného nastavenia teploty

- použite tabuľku ⑥ ako referenciu

### 8040 ⑦

- nastavte želanú cieľovú teplotu postupne po 10°C krátkym stláčaním B tlačidiel

- stláčanie tlačidiel B neustále plynulo zvyšuje/znižuje cieľovú teplotu pokiaľ sa tlačidlá neuvoľnia, alebo sa nedosiahne minimálna/maximálna teplota

- po nastavení cieľovej teploty sa na displeji D budú zobrazovať blikajúce šípky, kým sa nedosiahne požadovaná teplota (len v polohe „II“)

- cieľová teplota sa uchová v pamäti náradia, takže po zapnutí náradia ho vždy zohreje na naposledy zvolenú cieľovú teplotu

- Nastavenie prúdu vzduchu ⑧ (8040)

- nastavte želaný prúd vzduchu postupne po 50 l/min. krátkym stláčaním tlačidiel C

- na displeji D sa zobrazuje aktuálne nastavenie prúdu vzduchu v stĺpcovom diagrame

- Nastavenie pamäte ⑨ (8040)

- na výber jedného zo štyroch nastavení uložených v pamäti stlačte tlačidlo P

- na uloženie nastavenia teploty a prietoku vzduchu stlačte tlačidlo P na výber lokality pamäte, nastavte požadovanú teplotu a prietok vzduchu a stlačením a podržaním tlačidla N uložte nastavenie

- Všeobecné použitie

- nastavte správnu teplotu otestovaním na nenápadnej časti materiálu s ktorým idete pracovať; začnite s nastavením nízkej teploty

- teplota klesá s nárastom vzdialenosti medzi vzduchovým otvorom/dýzou a pracovným povrchom

- požadovaná teplota závisí na materiále s ktorým sa bude pracovať

- Stationárne použitie ⑩

- položte nástroj na jeho zadnú časť, tak že je otvor hore  
- zabezpečte, aby bol povrch čistý a bez prachu;  
- znečistený vzduch poškozujú motor  
- zabezpečte, aby prúd vzduchu smeroval mimo vás  
- zabezpečte prípojnú šnúru, aby nestiahla nástroj  
- nedotýkajte sa vzduchového otvoru/dýzy  
- zabezpečte, aby do vzduchového otvoru/dýzy nič nespadlo

- opatrne pridržiujte nástroj jednou rukou, pokiaľ ho druhou rukou vypínate a potom ho nechajte vychladnúť

- Držanie a vedenie nástroja ⑪

- držte nástroj jednou rukou  
- vetracie štrbiny F ② udržiajte nezakryté

- Štandardné doplnky ⑫

- dýza G na ochranu skla (pre odchyľovanie prúdu vzduchu)  
- okrúhla dýza H (na koncentráciu vzduchového prietoku)  
- odrážacia dýza (reflektor) J (na odrážanie prúdu vzduchu)  
- redukčná dýza K (pre koncentrovanie prúdu vzduchu)

### POZNÁMKY:

- výšketi príklady aplikácií (**okrem odstraňovania náteru z okien**) sa môžu urobiť bez doplnkov; avšak použitie vhodných doplnkov zjednodušuje prácu a významne zvýši kvalitu výsledkov  
- toto zariadenie je možné použiť aj v kombinácii s bežne dostupným príslušenstvom pre teplovzdušné pistole

- Doplnky na montáž/odstraňovanie

- jednoducho priložte doplnok na vzduchový otvor L ②  
- odstráňte doplnok tak, že ho po vychladnutí z prednej časti vytiahnete

**! namontujte doplnok len keď je vzduchový otvor studený, keď je vypínač v polohe "0" a keď je zástrčka odpojená**

- použite krúžok na uvoľnenie dýzy E pre jednoduché odstránenie horúcich dýz ⑫

- Konštantná regulácia teploty (ochrana proti preťaženiu)  
Chráni vyhrievacie teleso pred poškodením, keď je nástroj preťažený bez toho, aby ste ho museli zastaviť a, resp. alebo aby ste ho museli nechať po čase vychladnúť  
- keď sa dosiahne vysoká teplota, vyhrievacie teleso sa samé vypne, pričom motor beží a vhaňa studený vzduch

- keď teplota dostatočne poklesne (v priebehu pár sekúnd), vyhrievacie teleso sa automaticky zapne

**! ak zariadenie generovalo vysokú teplotu, vyplí ste ho a znova po krátkej pauze zapli, nastavenie tepelného elementu na požadovanú teplotu môže chvíľu trvať**

## RADA NA POUŽITIE

- Odstraňovanie náterov/lakov ⑬

- používajte čistú a ostrú škrabku  
- keď náter zmäkne, pevne škrabte  
- vyskúšajte si, aby ste určili dĺžku času, počas ktorého je potrebné aplikovať teplo, aby ste dosiahli optimálne výsledky  
- okamžite oškrabte zmäknutý náter, pretože opäť stvrdne  
- medzi nástrojom a pracovným miestom udržiajte 30° až 40° uhol

- okamžite odstráňte náter a odpad zo škrabky, aby ste zabránili jeho vznieteniu
- vždy keď je to možné, oškrabte škrabku kúskom dreva
- nikdy nesmerujte prúd horúceho vzduchu na to isté miesto príliš dlho
- uložte bezpečne odstránený náter
- po ukončení práce poriadne vyčistite pracovné miesto
- ! pri odstraňovaní vrstiev náterov v starých budovách buďte opatrní; v minulosti mohli byť staré budovy natierané farbami, ktoré obsahovali olovo, ktoré je vysoko jedovaté**
- ! vystavenie sa účinkom, dokonca malých dávok olova môže spôsobiť vážne poškodenie mozgu a nervového systému; malé a nenarodené deti sú zvlášť zraniteľné**
- ! nechajte si nátery, ktoré obsahujú olovo odstrániť profesionálmi bez použitia tepelnej pištole**
- ĎALŠÍ PŘÍKLAD POUŽITIA:**
- ★ odstraňovanie náterov zo stien (syntetických)
- Odstraňovanie náterov/lakov z okien <sup>(14)</sup>
  - pri práci v blízkosti skla používajte **vždy** dýzu na ochranu skla G
  - odstráňte náter ručnou škrabkou
  - ! nepoužívajte nástroj na odstraňovanie náterov z kovových okien; kov je tepelne vodivý, čo by mohlo mať za následok poškodenie skla**
- Odstraňovanie nálepiek (použijete okrúhlu dýzu H) <sup>(15)</sup>
  - veľa lepidiel pri zahriatí zmäkne čo umožní, aby sa lepené spoje oddelili a aby sa zmäknuté lepidlo odstránilo
  - ! zahrievajte nálepku v jej hornej časti zvrchu**
  - ! vždy dávajte pozor, aby ste neprehriali povrch pod nálepkou**
- ĎALŠIE PŘÍKLADY POUŽITIA:**
- ★ odstraňovanie linolea a vinylových podláh
- ★ odstraňovanie podlahových krytín vyrobených zo syntetických vlákien
- ★ odstraňovanie obkladov/používanie obkladov
- ★ zmäkčovanie/tavenie dechtu, cinu, asfaltu, vosku (použijete okrúhlu dýzu H)
- ★ voskovanie (lyží, nábytku) (použijete dýzu na ochranu skla G) <sup>(16)</sup>
- ★ odstraňovanie živíc
- ★ uvoľňovanie zahrdzavených / silne dotiahnutých kovových skrutiek, nitov a matic
- ★ odstraňovanie vosku zo sviečok (**neprehrejte povrch pod ním**)
- ★ oprava zlomených sviečok / naprávanie ohnutých sviečok do ich pôvodného tvaru
- Spojte tesniace zmašťovaním <sup>(17)</sup>
  - použijete odrážajúcu dýzu J alebo redukčnú dýzu K
  - vyberte trubicu, ktorá sa používa na spoje tesniace zmašťovaním s takým priemerom, ktorý je rovnaký ako kus trubky, ktorú ideme spájať
  - zahrejte jemne trubicu, ktorú ideme spájať
- ĎALŠÍ PŘÍKLAD POUŽITIA:**
- ★ balenie zmašťovaním
- Spájkovanie vodovodných potrubí <sup>(18)</sup>

Tento nástroj je najvhodnejší na prácu s mäkkými spájkami (s bodom tavenia pod 400 °C)

  - použijete odrážajúcu dýzu J (reflektor)
  - pred spájkovaním starostlivo vyčistite obidve časti, ktoré sa budú spájkovať
- predhrejte obidve časti a aplikujte spájkovací drôt (**nepoužívajte spájkovací drôt, ktoré obsahujú olovo**)
- Rozmrazovanie zamrznutých vodovodných potrubí <sup>(19)</sup>
  - použijete odrážajúcu dýzu J (reflektor)
  - jemne zahrievajte zamrznuté miesto
  - ! často je ťažké odlišiť vodovodné trubky od plynových trubiek; zahrievanie plynových trubiek je veľmi nebezpečné - riziko výbuchu**
- ĎALŠIE PŘÍKLADY POUŽITIA:**
- ★ rozmrazovanie vodovodných trubiek vyrobených z PVC (poloha II, max. 60 °C)
- ★ rozmrazovanie zamrznutých automobilových zámkov (poloha II, max. 60 °C) (použijete redukčnú dýzu J)
- ★ rozmrazovanie mrazničiek (**nepoškobyte obal z plastu**)
- ★ rozmrazovanie a odstraňovanie ľadu z chodníkov a ciest
- Tvarovanie trubiek z plastov
  - použijete odrážajúcu dýzu J (reflektor)
  - naplňte trubicu pieskom a utesnite ju na oboch koncoch, aby ste sa vyhli zauzleniu trubky
  - jemne zahrievajte trubicu tak, že s ňou pohybujete zo strany na stranu
- ĎALŠIE PŘÍKLADY POUŽITIA:**
- ★ tvarovanie všetkých materiálov z plastov, ktoré majú nízku teplotu tavenia (polyetylén, PVC, atď)
- ★ tvarovanie všetkých materiálov z plastov, ktoré majú vysokú teplotu tavenia (akrylické sklo, plexisklo, atď)
- ★ tvarovanie a ohýbanie dlažieb vyrobených zo syntetických vlákien
- ★ tvarovanie a ohýbanie dreva (stavanie modelov)
- Zváranie materiálov z plastov
  - zváraný spoj musí byť čistý a odmastený
  - držte zväraciu tyčku tesne pri zváranom spoji a zahrievajte ho až kým sa zväracia tyčka nezačne lepiť
  - prestaňte zahrievať, keď sa zdá, že zváraný spoj je zaplnený
- ĎALŠIE PŘÍKLADY POUŽITIA:**
- ★ oprava dosiek na surfovanie, lyží a ďalšieho športového náradia z umelých hmôt (použijete okrúhlu dýzu H)
- ★ zváranie materiálov z PVC
- ★ vyhladzovanie bublín po nalepení nálepiek z PVC
- ★ spájanie záhradných hadíc na polievanie (použijete odrážajúcu dýzu J (reflektor))
- Sušenie
  - ! vysušujte len pri nastavení na nízku alebo strednú teplotu (poloha I alebo II) a pri väčšej vzdialenosti medzi nástrojom a plochou, s ktorou pracujete**
  - vysušovanie náterov, lakov, sadry, malty a omietky
  - vysušovanie vlhkého reziva pred použitím
  - rýchle vysušovanie nahrubo nanesených výplní alebo lepidiel
  - vysušovanie stavebných spojov pred nastriekaním izolácie, alebo tesnenia
  - vysušovanie spojov a trhlín pri stavbe lodí
- Čistenie / dezinfikovanie
  - dezinfikovanie kliekiet pre zajace, holuby, atď (**najskôr vyberte zvieratá**)
  - boj s kolóniami mravcov
  - boj s čvrtočom a hmyzom (**držte nástroj v patričnej vzdialenosti od dreva**)
  - ničenie buriny

## ÚDRŽBA / SERVIS

- Tento nástroj nie je vhodný pre profesionálne použitie
- Vo všeobecnosti nikdy nepoužívajte ľahko vznietiteľné tekutiny na čistenie zahrievacej pištole a najmä nie na čistenie vzduchového otvoru/dýzy
- Nástroj a sieťovú šnúru udržiujte stále čisté (zvlášť vetracie štrbiny F ②)
- Ak by nástroj napriek starostlivej výrobe a kontrole predsa len prestal niekedy fungovať, treba dať opravu vykonať autorizovanej servisnej opravovni elektrického náradia SKIL
  - pošlite nástroj **bez rozmontovania** spolu s dôkazom o kúpe; vášmu dilerovi alebo do najbližšieho servisného strediska SKIL (zoznam adries servisných stredísk a servisný diagram nástroja sú uvedené na [www.skil.com](http://www.skil.com))
- Upozorňujeme, že poškodenie spôsobené preťažením alebo nesprávnym zaobchádzaním s nástrojom bude zo záruky vylúčené (záručné podmienky spoločnosti SKIL nájdete na stránke [www.skil.com](http://www.skil.com) alebo si ich vyžiadate u svojho predajcu)

## ŽIVOTNÉ PROSTREDIE

- **Elektrické náradie, príslušenstvo a balenia nevyhadzujte do komunálneho odpadu** (len pre štáty EÚ)
  - podľa európskej smernice 2012/19/EG o nakladaní s použitými elektrickými a elektronickými zariadeniami a zodpovedajúcich ustanovení právnych predpisov jednotlivých krajín sa použité elektrické náradie musí zbierať oddelene od ostatného odpadu a podrobiť ekologicky šetrnej recyklácii
  - pripomenie vám to symbol ⑤, keď ju bude treba likvidovať

HR

**Puhalo vručeg zraka 8020/8040**

## UVOD

- Ovaj je uređaj predviđen za skidanje starih slojeva boje, oblikovanje i zavarivanje plastike i zagrijavanje cijevi na tople skupljanje; uređaj je pogodan i za lemljenje i kosljenje, otpuštanje zalijepljenih spojeva i odmrzavanje vodovodnih cijevi
- Ovaj uređaj nije namijenjen profesionalnoj upotrebi
- Pažljivo pročitajte i sačuvajte ove upute za rukovanje ③

## TEHNIČKI PODACI ①

### DIJELOVI ALATA ②

- A** Prekidač za uključivanje/isključivanje
- B** Gumbi za podešavanje temperature (8040)
- C** Gumbi za podešavanje strujanja zraka (8040)
- D** Zaslon (LCD) (8040)
- E** Prsten za oslobađanje sapnica
- F** Otvori za strujanje zraka
- G** Sapnica za zaštitu stakla
- H** Okrugla sapnica
- J** Reflektorska sapnica
- K** Redukcijska sapnica

- L** Otvor/sapnica za protok zraka
- M** Kotač za biranje (8020)
- N** Gumb za pohranu memorije (8040)
- P** Gumb za odabir memorije (8040)

## SIGURNOST

### OPČENITO

- **Ovaj alat mogu koristiti djeca starija od 8 godina kao i osobe ograničenih fizičkih, osjetilnih ili mentalnih sposobnosti ili osobe bez iskustva i znanja ako su pod nadzorom ili su upućene u sigurno alatom te razumiju uz to vezane opasnosti** (u suprotnom postoji opasnost od pogrešnog rukovanja i ozljeda)
- **Djecu držite pod nadzorom** (na taj ćete način biti sigurni da se djeca neće igrati s alatom)
- **Čišćenje i održavanje alata ne smiju izvoditi djeca bez nadzora odrasle osobe**

### PRIJE UPORABE:

- Djelovanje uređaja treba provjeriti prije svake uporabe i u slučaju neispravnosti odmah zatražiti stručnu osobu za popravak; uređaj nikada sami ne otvarajte
- Prije svake uporabe kontrolirati priključni kabel i utikač uređaja i u slučaju oštećenja zatražiti zamjenu od kvalificiranog električara
- Upotrebjavajte samo neodmotane i zaštićene produžne kabele kapaciteta 16 ampera
- Nikada ne upotrebjavajte alat ako je kabel oštećen; trebaju ga zamijeniti proizvođač, servisni zastupnik ili osobe sličnih kvalifikacija radi sprječavanja opasnosti.
- Uređaj i njegov pribor koristiti u skladu s ovim uputama za uporabu i na način propisan za uređaj; korištenje uređaja za radove koji se razlikuju od radova predviđenih za uređaj, može vas doći u opasnu situaciju
- Uvijek provjerite je li napon napajanja isti kao onaj naveden na tipskoj pločici uređaja
- Kod priključka osigurati da uređaj bude isključen

### TIJEKOM UPORABE:

- S uređajem oprezno postupati: na taj ćete se način zaštititi od požara i opekline
  - ne dirati otvor za zrak/sapnicu i zagrijavani predmet, jer su jako zagrijani
  - otvor za zrak/sapnicu ne držati suviše blizu obrađivanom predmetu
  - struju vrućeg zraka ne usmjeravati suviše dugo na istu površinu
  - nikada ne gledati u otvor za zrak/sapnicu
  - nositi zaštitne rukavice i zaštitne naočale
  - struju vrućeg zraka nikada ne usmjeravati na ljude i životinje

- uređaj nikada ne koristiti za sušenje kose
- uređaj nikada ne ostavljati bez nadzora
- uređaj nikada ne koristiti blizu zapaljivih plinova ili zapaljivih materijala (**opasnost od eksplozije**)
- kod rada s plastikom, bojama, lakom i sličnim materijalima mogu nastati zapaljivi i otrovni plinovi; informirajte se prethodno o obrađivanim materijalima
- posjećamo da se toplina na zapaljivim materijalima može prenijeti izvan vidnog polja
- dobro je imati u pripravnosti posudu s vodom ili vatrogasni aparat, ukoliko bi se neki od zapaljivih materijala zapalio
- Izbjegavanje električnog udara
  - nikada ne stavljati nešto u otvor za zrak/sapnicu, čime bi se isti začepio
  - izbjegavati dodir tijela s uzemljenim površinama (npr. cijevi, radijatori, štednjaci, hladnjaci)
  - osigurati da uređaj tijekom rada ne bude mokar
  - uređaj ne koristiti na vlažnim mjestima
  - kod primjene na otvorenom, uređaj priključiti preko zaštitne sklopke struje kvara (FI), s okidačkom strujom od max. 30 mA i koristiti samo za to predviđen produžni kabel, koji je na priključnom mjestu zaštićen od prskanja
- S priključnim kabelom postupati oprezno
  - kabel uvijek držati dalje od struje vrućeg zraka i od otvora za zrak/sapnice
  - kabel držati dalje od zagrijanih mjesta, ulja i oštih rubova
  - uređaj ne nositi držeći ga za kabel i ne izvlačiti iz utičnice potezanjem za kabel nego utikač
    - ne omotavati alat s kabelom
- Uređaj nikada ne koristiti zajedno s kemijskim otapalima
- Osigurati da radno područje bude dovoljno provjetravano
- Radno područje održavati čistim i dobro provjetranim
- Uvijek budite oprezni, svjesni opasnosti i radite s uređajem ako niste umorni i ako ste dovoljno koncentrirani
- Paziti na siguran i stabilan položaj tijela, posebno na ljestvama i podestima
- Prije nego što se uređaj odloži treba ga isključiti
- U slučaju neuobičajenog ponašanja uređaja ili neobičnih šumova, uređaj treba odmah isključiti i izvući utikač iz mrežne utičnice

#### NAKON UPORABE:

- uređaj odložiti na njegov stražnji dio u uspravnom položaju
- Isključite uređaj i odspojite utikač
- Uređaj prije odlaganja ostaviti najmanje 30 minuta da se ohladi
- Uređaj ne spremi/ostavljati na otvorenom
- Uređaj spremi na suho mjesto nedostupno za djecu

#### POJAŠNJENJE SIMBOLA NA UREĐAJU

- ③ Prije upotrebe pročitajte korisnički priručnik
- ④ Dvostruka izolacija (dozemna žica nije potrebna)
- ⑤ Uređaj ne bacajte u kućni otpad

## POSLUŽIVANJE

- Prekidač za uključivanje/isključivanje s položaja temperature ⑥
- ! **provjeriti da li se prekidač A ② nalazi u položaju "0", prije nego što se izvrši mrežni priključak**
- uređaj uključiti prebacivanjem prekidača A u željeni položaj:

#### 8020

I = 50°C, protok zraka 350 lit./min

II = 450°C, protok zraka 350 lit./min

III = 600°C, protok zraka 500 lit./min

#### 8040

I = 50°C + protok zraka 250-500 lit./min

II = 50°C ... 650°C, protok zraka 250-500 lit./min

- kod prve primjene uređaja može izlaziti malo dima; to je normalno i uskoro će prestati
- uređaj isključiti prebacivanjem prekidača A u položaj "0"
- Podešavanje temperature
- ! **postoji tolerancija na navedenim temperaturama**  
**50...90 °C: najv. 90 °C**  
**manje od 300 °C: ±20 %**  
**više od 300 °C: ±10 %**

#### 8020

- upotrijebite kotač za biranje M da biste odabrali željenu postavku temperature
- upotrijebite tablicu ⑥ za referencu

#### 8040 ⑦

- željenu temperaturu podesite u koracima od 10°C kratkim pritiskom na gumb B
- pritiskom na gumb B neprekidno povećavate/smanjujete ciljnu temperaturu za sve dok ne pustite gumb ili dok ne dosegnete maksimalnu ili minimalnu dopuštenu temperaturu
- nakon što postavite ciljnu temperaturu, na zaslonu se D pokazuje bljeskajuće strelice dok se ne dostigne željena temperatura (samo u položaju „II“)
- ciljna se temperatura sprema u memoriju uređaja, pa se uređaj prilikom svakog sljedećeg paljenja zagrijava do zadnje odabrane ciljne temperature
- Postavke strujanja zraka ⑧ (8040)
  - željeno strujanje zraka podesite u koracima od 50 l/min, kratkim pritiskom na gumb C
  - na zaslonu D se prikazuje trenutno strujanje zraka u stupčastom grafikonu
- Postavka memorije ⑨ (8040)
  - da biste odabrali jednu od četiriju pohranjenih postavki memorije, pritisnite gumb P
  - da biste pohranili postavku temperature i protoka zraka, pritisnite gumb P da biste odabrali lokaciju memorije, postavite željenu temperaturu i protok zraka, a zatim pritisnite i držite pritisnutim gumb N da biste pohranili postavku
- Opća primjena
  - odgovarajuću temperaturu odrediti probom na neprijetnom (nevažnom) dijelu izratka; početi s nižim namještanjem temperature
  - temperatura će se smanjiti s povećanjem razmaka između otvora za zrak/sapnice i izratka
  - potrebna temperatura ovisi od obrađivanog materijala
- Stacionarna primjena ⑩
  - uređaj odložiti na njegov stražnji dio u uspravnom položaju
  - osigurati da površina bude čista i bez prašine; zagađen zrak može oštetiti elektromotor
  - struja zraka treba biti dalje od osobe koja rukuje pištoljem
  - osigurati kabel
  - ne dirati otvor za zrak/sapnicu
  - osigurati da ništa ne padne u otvor za zrak/sapnicu
  - uređaj oprezno držati jednom rukom, dok se drugom isključuje, i nakon toga ga ostaviti da se ohladi

- Držanje i vođenje uređaja <sup>11</sup>
    - uređaj držati jednom rukom
    - otvore za strujanje zraka F <sup>2</sup> držite nepokriveno
  - Standardni pribor <sup>2</sup>
    - sapnica za zaštitu stakla G (za skretanje zračne struje)
    - okrugla sapnica H (za skretanje zračnog protoka)
    - reflektorska sapnica J (za skretanje zračne struje)
    - redukcijska sapnica K (za skretanje zračne struje)
- NAPOMENE:**
- svi slučajevi primjene (**osim skidanja stare boje sa prozora**) mogu se provesti bez pribora; odgovarajući pribor pojednostavljuje rad i vodi do kvalitativno znatno boljih rezultata
  - ovaj se uređaj može koristiti u kombinaciji s uobičajenim dodacima za pištolje na vrući zrak
  - Ugradnja/skidanje pribora
    - pribor jednostavno ugraditi na otvor za zrak L <sup>2</sup>
    - ukloniti dio pribora, tako što će se nakon ohlađivanja skinuti prema naprijed
- ! dio pribora ugraditi samo ako je otvor za zrak ohlađen, ako se prekidač nalazi u položaju "0" i ako je izvučen mrežni utikač**
- prsten za oslobađanje nastavka E koristite za jednostavno skidanje vrućih nastavaka <sup>12</sup>
  - Kontrola constante topline (zaštita od preopterećenja)
 

Štiti grijač od oštećenja, ako bi se uređaj preoptereto, bez da se ohladi određeno vrijeme

    - ako je temperatura previsoka grijač će se sam isključiti, dok će motor dalje raditi, proizvodeći hladni zrak
    - kada je temperatura dovoljno pala (traje samo nekoliko sekundi), grijač će se automatski uključiti

**! kad se alat isključi nakon rada pri visokim postavkama za temperaturu te se ponovno uključi nakon kratke stanke, moglo bi potrajati neko vrijeme dok grijači element dostigne željenu temperaturu**

## SAVJETI ZA PRIMJENU

- Skidanje boje/laka <sup>13</sup>
  - koristiti čisto, oštro strugalo
  - početi strugati tek kada boja omekša
  - eksperimentom odrediti koliko treba grijati kako bi se postigli optimalni rezultati
  - omekšanu boju odmah ostrugati jer će ona inače ponovno stvrdnuti
  - uređaj držati pod kutom od 30° do 40° prema izratku
  - boju i prljavštinu prethodno ukloniti sa strugala, kako bi se spriječilo njeno zapaljenje
  - po mogućnosti strugati uzduž godova na drvu
  - struju vrućeg zraka ne usmjeravati previše dugo na istu površinu
  - sve ostatke boje zbrinuti na sigurno mjesto
  - radno područje nakon završenog rada temeljito očistiti

**! kod skidanja slojeva boje na starim građevinama postupati oprezno; vjerojatno je kod izgradnje korištena boja sa sadržajem olova koja je jako otrovna**

**! izlaganje već i manjoj količini olova može ozbiljno oštetiti mozak i živčani sustav; posebno su ugrožena mala djeca i još nerođena djeca u majčinju utrobi**

**! skidanje boje na bazi olova prepustiti stručnjaku koji će raditi bez pomoći puhalah vrućeg zraka**

## JOŠ JEDAN PRIMJER PRIMJENE:

- ★ skidanje (sintetskih) starih tapeta
  - Skidanje boje/laka sa prozora <sup>14</sup>
    - kod rada blizu stakla **uvijek** koristiti sapnicu za zaštitu stakla G
    - boju ukloniti ručnim strugalom

**! uređaj ne koristiti za skidanje boje sa prozora s metalnim okvirima; metal je vodič topline, te može doći do pucanja stakla**
  - Skidanje naljepnica (koristiti okruglu sapnicu H) <sup>15</sup>
    - mnoga ljepila kod zagrijavanja mekšaju, što omogućava zalijepljenim spojevima da popuste i uklanjanje suvišnog ljepila

**! naljepnicu zagrijati na gornjoj strani**

**! uvijek osigurati da se ne pregrije površina ispod naljepnice**
- OSTALI PRIMJERI PRIMJENE:**
- ★ skidanje podnih obloga od linoleuma i vinila
  - ★ skidanje tepiha od umjetnih vlakana
  - ★ skidanje furnira i letvica od furnira
  - ★ omekšavanje/taljenje katrana, kositra, bitumena, voska (koristiti okruglu sapnicu H)
  - ★ voskovi (koristiti sapnicu za zaštitu stakla G) <sup>16</sup>
  - ★ skidanje smole
  - ★ popuštanje zardalih/čvrsto stegnutih metalnih vijaka, matica i svornjaka
  - ★ skidanje voska od svijeće (**ne pregrijati donju površinu**)
  - ★ popravak polomljenih svijeća/vraćanje u prvobitni oblik savijenih svijeća
  - Skupljanje <sup>17</sup>
    - koristiti reflektorsku sapnicu J ili redukcijsku sapnicu K
    - cijev na skupljanje odabrati prema promjeru izratka
    - cijev na skupljanje jednoliko zagrijati
- JOŠ JEDAN PRIMJER PRIMJENE:**
- ★ pakiranje uz skupljanje
  - Lemljenje vodovodnih cijevi <sup>18</sup>

Ovaj je uređaj najprikladniji za radove s mekim lemom (talište ispod 400 °C)

    - koristiti reflektorsku sapnicu J
    - obje spajane sekcije temeljito očistiti od lema
    - obje sekcije predgrijati i približiti žicu za lemljenje (**ne koristiti žicu za lemljenje na bazi olova**)
  - Odmrzavanje zamrznutih vodovodnih cijevi <sup>19</sup>
    - koristiti reflektorsku sapnicu J
    - zamrznuto područje jednoliko odmrznuti

**! vodovodne cijevi se često teško razlikuju od plinskih cijevi; zagrijavanje plinskih cijevi je izuzetno opasno – opasnost od eksplozije**
- OSTALI PRIMJERI PRIMJENE:**
- ★ odmrzavanje vodovodnih cijevi od PVC-a (**položaj II, max. 60°C**)
  - ★ odmrzavanje zamrznutih brava na automobilima (**položaj II, max. 60°C**) (koristiti redukcijsku sapnicu)
  - ★ odmrzavanje škrinja (**ne s plastičnim kućištem**)
  - ★ odmrzavanje zaleđenih stepenica na planinama
  - Oblikovanje plastičnih cijevi
    - koristiti reflektorsku sapnicu J
    - cijev napuniti pijeskom i na oba kraja zatvoriti, kako bi se izbjeglo oštro pregibanje cijevi
    - cijev jednoliko zagrijati, pomicanjem puhalah s jedne na drugu stranu

#### OSTALI PRIMJERI PRIMJENE:

★ oblikovanje svih plastičnih masa s nižom točkom tališta (polietilen, PVC, itd.)

★ oblikovanje svih plastičnih masa s višom točkom tališta (akrilno staklo, pleksiglas, itd.)

★ oblikovanje i savijanje tepiha izrađenih od umjetnih vlakana

★ oblikovanje i savijanje drva (izrada modela)

#### • Zavarivanje plastike

- šav za zavarivanje treba čist i odmašćen

- žicu za zavarivanje držati blizu šava za zavarivanje i dovoditi toplinu dok žica za zavarivanje ne postane gnjecava

- nakon što se zavareni šav napuni odmaknuti izvor topline

#### OSTALI PRIMJERI PRIMJENE:

★ popravak dasaka za surfanje, skija i ostalih sportskih rekvizita od plastike (koristite okruglu sapnicu H)

★ zavarivanje PVC-materijala

★ poravnane mješurica nakon stavljanja PVC-etiketa

★ priključak vrtnih crijeva (koristiti reflektorsku sapnicu J)

#### • Sušenje

**! sušiti samo s nižim namještanjem temperature (položaj I ili II) i na većem razmaku između uređaja i izratka**

- sušenje boje, laka, gipsa, maltera i žbuke

- sušenje vlažnog drvna prije punjenja

- brzo sušenje nanešenog materijala punila ili ljepliva

- sušenje građevnih fuga prije prskanja izolacijom i brtvenom masom

- sušenje fuga i pukotina kod izgradnje plovila

#### • Čišćenje/dezinfekcija

- dezinfekcija kaveza za uzgoj zečeva, golubova, itd. (**najprije ukloniti životinje**)

- odstranjivanje mravinjaka

- odstranjivanje crvotočina (**uređaj držati na određenom, razmaku od drvna**)

- uništavanje korova

## ODRŽAVANJE / SERVISIRANJE

- Ovaj uređaj nije namijenjen profesionalnoj upotrebi
- Za generalno čišćenje pištolja za vrući zrak i osobito otvora za zrak/sapnice ne koristiti zapaljive tekućine
- Održavajte čistim uređaj i kabel (osobito otvore za hlađenje F ②)
- Ako bi uređaj unatoč brižljivih postupaka izrade i ispitivanja ipak prestao raditi, popravak treba prepustiti ovlaštenom servisu za SKIL električne alate
  - uređaj treba **nerastavljeno** predati, zajedno s računom o kupnji u najbližu SKIL ugovornu servisnu radionicu (popise servisa, kao i oznake rezervnih dijelova uređaja možete naći na adresi [www.skil.com](http://www.skil.com))
- Imajte na umu kako jamstvo ne obuhvaća štete nastale zbog preopterećenja ili nepravilnog rukovanja alatom (za uvjete iz SKIL jamstva, posjetite [www.skil.com](http://www.skil.com) ili upitajte svog prodavača)

## ZAŠTITA OKOLIŠA

- **Električne alate, pribor i ambalažu ne bacajte u kućni otpad** (samo za EU-države)
  - prema Europskoj direktivi 2012/19/EG o staroj električnoj i elektroničkoj opremi i njenoj primjeni u skladu sa nacionalnim zakonom, istrošeni električni

alati moraju se sakupljati odvojeno i odvesti u posebne pogone za reciklažu

- na to podsjeća simbol ⑤ kada se javi potreba za odlaganjem

SRB

## Fen za vreli vazduh

8020/8040

### UPUTSTVO

- Ovaj alat je namenjen za uklanjanje boje, oblikovanje i lepljenje plastike i zagrevanje cevi za sakupljanje; alat je takođe pogodan za lemljenje i kalajisanje, popuštanje adhezivnih spojnica i odleđivanje cevi za vodu
- Ovaj alat nije namenjen za profesionalnu upotrebu
- Pažljivo pročitajte i sačuvajte ova uputstva za rukovanje ③

### TEHNIČKI PODACI ①

#### ELEMENTI ALATA ②

- A Prekidač za uključivanje/isključivanje
- B Dugmad za podešavanje temperature (8040)
- C Dugmad za podešavanje protoka vazduha (8040)
- D D displej (LCD) (8040)
- E Prsten za skidanje mlaznice
- F Prorezi za hlađenje
- G Zaštitna mlaznica za staklo
- H Okrugla mlaznica
- J Reflektujuća mlaznica
- K Redukciona mlaznica
- L Otvor za vazduh/mlaznica
- M Brojčanik (8020)
- N Dugme za čuvanje memorije (8040)
- P Dugme za izbor memorije (8040)

## SIGURNOST

### OPŠTA

- **Ovaj alat mogu da koriste deca od 8 godina i lica sa ograničenim psihičkim, senzornim ili duševnim sposobnostima ili lica sa nedostatkom iskustva i znanja, ukoliko ih nadzire lice koje je odgovorno za njihovu sigurnost ili ako ih ono uputi u siguran rad sa alatom i ako razumeju s time povezane opasnosti** (u suprotnom postoji opasnost od pogrešnog rukovanja i povreda)
- **Kontrolišite decu** (time se obezbeđuje da se deca ne igraju sa alatom)

## • Čišćenje i održavanje alata ne smeju da obavljaju deca bez kontrole odraslog lica

### PRE UPOTREBE:

- Proverite funkcionisanje alata pre svake upotrebe i u slučaju nepravilnosti odnesite ga stručnom licu na popravku; nikada nemojte sami otvarati alat
- Proverite kabl i utikač pre svake upotrebe i u slučaju oštećenja, odnesite ga kvalifikovanim licu da ga zameni
- Produžni kabl koji koristite mora da bude sasvim odmotan i siguran, sa kapacitetom od 16 A
- Nikada nemojte koristiti alat kada je kabl oštećen; njega mora da zameni proizvođač, predstavnik servisa ili slične kvalifikovane osobe kako bi se izbegla opasnost.
- Alat i njegov pribor koristite prema ovom uputstvu za upotrebu i na način koji je propisan za ovaj alat; upotreba alata za radnje koje nisu uobičajene za ovaj alat može dovesti do opasnosti
- Uvek se uverite da je napon struje isti kao i napon naveden na pločici sa nazivom alatu
- Proverite da li je alat isključen kada ga prikopčavate u utičnicu

### TOKOM UPOTREBE:

- Pažljivo rukujte alatom; sprečite požar i opekotine
  - ne dodirujte otvor/mlaznicu za vazduh i zagrejani predmet; postaju veoma vrela
  - ne približavajte otvor/mlaznicu previše predmetu na kojem treba da radite
  - ne usmeravajte mlaz vrelog vazduha predugo ka istoj površini
  - nikada ne gledajte u otvor/mlaznicu za vazduh
  - nosite zaštitne rukavice i zaštitne naočare
  - nikada nemojte usmeravati mlaz vrelog vazduha ka drugim osobama ili životinjama
  - nikada nemojte koristiti alat da sušite kosu
  - nikada nemojte ostavljati alat bez nadzora
  - nikada nemojte koristiti alat u blizini zapaljivih gasova ili zapaljivih materijala (**postoji rizik od eksplozije**)
  - kada radite sa plastikom, bojama, lakovima ili sličnim materijama, može doći do stvaranja zapaljivih i otrovnih gasova; prethodno se informišite o materijalima sa kojima ćete raditi
  - imajte na umu i da se toplota može proširiti i do zapaljivih materija koje se nalaze van vašeg vidokruga
  - iz razloga bezbednosti, pri ruci držite kofu sa vodom ili aparat za gašenje požara u slučaju da se neki od materijala zapali
- Sprečite strujni udar
  - nikada ništa nemojte gurati u otvor/mlaznicu za vazduh
  - izbegavajte kontakt telom sa uzemljenim površinama (npr. cevima, štednjacima, lancima, frižiderima)
  - osigurajte da se alat ne pokvasi
  - ne koristite alat na vlažnim mestima
  - prilikom primene alata napolju, priključite ga preko FI sklopke sa strujom isključenja od maksimalnih 30mA i koristite samo jedan produžni gajtan, koji je predviđen za korišćenje na otvorenom i koji ima utikač zaštićen od prodora vode
- Rukujte pažljivo kablom
  - kabl uvek mora biti udaljen od mlaza vrelog vazduha i otvora/mlaznice za vazduh
  - držite kabl dalje od toplote, ulja i oštih ivica
  - nemojte nositi alat držeći ga za kabl i nemojte cimati kabl da biste ga isključili iz utičnice

- nemojte kačiti alat za kabl
- Alat nikada nemojte koristiti u kombinaciji sa hemijskim rastvaračima
- Radni prostor mora biti adekvatno provetren
- Održavajte radni prostor čistim i dobro osvetljenim
- Budite na oprezu; vodite računa o tome što radite, budite razumni i ne rukujte alatom ako ste umorni
- Zauzmite bezbedno odstojanje; nemojte se istezati, naročito na merdevinama ili posteljima
- Proverite da je alat isključen pre nego što ga odložite
- U slučaju da dođe do električnog ili mehaničkog kvara, odmah isključite alat i iskopčajte ga iz utičnice

### POSLE UPOTREBE:

- postavite alat na zadnju stranu u uspravni položaj
- Isključite alat i iskopčajte ga iz utičnice
- Ostavite alat najmanje 30 minuta da se ohladi pre nego što ga vratite na mesto
- Nikada nemojte čuvajte/ostavljati alat napolju
- Čuvajte alat na suvom i zaključanom mestu, van domašaja dece

### OBJAŠNJENJE SIMBOLA NA ALATU

- ③ Pročitajte uputstvo za korišćenje pre prve upotrebe
- ④ Dvostruka izolacija (nije potrebna žica za uzemljenje)
- ⑤ Alat ne odlažite u kućne otpatke

## UPUTSTVO ZA KORIŠĆENJE

- Prekidač sa podešavanja temperature ⑥
  - ! proverite da li je prekidač A ② u položaju "0" pre ukopčavanja
  - uključite alat stavljanjem prekidača A u željeni položaj:  
**8020**  
I = 50°C, mlaz vazduha 350 litara u minuti  
II = 450°C, mlaz vazduha 350 litara u minuti  
III = 600°C, mlaz vazduha 500 litara u minuti  
**8040**  
I = 50°C + mlaz vazduha 250-500 litara u minuti  
II = 50°C ... 650°C, mlaz vazduha 250-500 litara u minuti
  - prilikom korišćenja alata prvi put, može doći do dima; ovo je normalna pojava i ubrzo će prestati
  - isključite alat stavljanjem prekidača A u položaj "0"
- Podešavanje temperature
  - ! postoji tolerancija na označene temperature  
**50...90°C: maks. 90°C**  
**manje od 300°C: ±20%**  
**više od 300°C: ±10%**  
**8020**
    - upotrebite brojčanic M da izaberete željeno podešavanje temperature
    - koristite tabelu ⑥ kao referencu
  - 8040** ⑦
    - podesite ciljnu temperaturu u koracima od 10°C tako što ćete kratko pritisnuti B dugmiće
    - uzastopnim pritiskanjem dugmića B ciljna temperatura se kontinualno povećava/ smanjuje sve dok se dugmići ne otpuste ili se ne dostigne minimalna/maksimalna temperatura
    - kada se podesi ciljna temperatura, ekran D prikazuje strelice koje trepere sve dok se ne dostigne željena temperatura (samo u položaju „II“)
    - ciljna temperatura će biti upamćena u memoriji alata, tako da će se svaki put po uključivanju alat zagrejati do poslednje izabrane ciljne temperature



- Postavka protoka vazduha ⑧ (8040)
    - podesite željeni protok vazduha u koracima od 50 l/min kratkim pritiskom na dugmad C
    - displej D prikazuje stvarne postavke protoka vazduha u kolonskom grafikonu
  - Podešavanje memorije ⑨ (8040)
    - da biste izabrali jedno od četiri sačuvanih podešavanja memorije pritisnite dugme P
    - da biste sačuvali podešavanje temperature i vazdušnog mlaza pritisnite dugme P da biste izabrali lokaciju memorije, podesite željenu temperaturu i vazdušni mlaz i držite dugme N da sačuvate podešavanje
  - Opšta upotreba
    - podesite pravu temperaturu tako što ćete izvršiti test na nevidljivom delu radne površine; počnite sa podešavanjem najniže temperature
    - temperatura opada prilikom udaljavanja otvora/mlaznice za vazduh od predmeta na kojem radite
    - potrebna temperatura zavisi od materijala na kojem ćete raditi
  - Stacionarna upotreba ⑩
    - postavite alat na zadnju stranu u uspravni položaj
    - proverite da li je površina čista i bez prašine; zagađeni vazduh oštećuje motor
    - proverite da vazdušni mlaz nije uperen u vas
    - osigurajte kabl kako biste sprečili obaranje alata
    - ne dodirujte otvor/mlaznicu za vazduh
    - osigurajte da ništa ne upadne u otvor/mlaznicu za vazduh
    - pažljivo držite alat jednom rukom dok ga drugom isključujete i zatim ga ostavite da se ohladi
  - Držanje i upravljanje alata ⑪
    - držite alat jednom rukom
    - prerezi za hlađenje F ② moraju da budu otvoreni
  - Standardni pribor ⑫
    - zaštitna mlaznica za staklo G (za usmeravanje vazdušnog mlaza)
    - okrugla mlaznica H (za koncentrisanje vazdušnog mlaza)
    - reflektujuća mlaznica J (za reflektovanje vazdušnog mlaza)
    - redukciona mlaznica K (za koncentrisanje vazdušnog mlaza)
- NAPOMENE:**
- svaki primer upotrebe (**osim uklanjanja boje u blizini stakla**) se može izvesti bez pribora; međutim upotreba odgovarajućeg pribora olakšava rad i značajno poboljšava kvalitet rezultata
  - ovaj alat se može koristiti i u kombinaciji sa uobičajeno dostupnim priborom za fenove za vrel i vazduh
- Stavljanje/skidanje pribora
    - jednostavno naglavite deo pribora na otvor L ②
    - skinite deo pribora povlačenjem unapred pošto se ohladio
- ! pribor postavite samo kada je otvor za vazduh hladan, kada je prekidač u položaju "0" i kada je utikač iskopčan**
- koristite prsten za skidanje mlaznice E za lako skidanje vrel i mlaznica ⑫
- Stalna kontrola toplote (zaštita od preopterećenja)
    - Štiti grejač od oštećenja u slučaju preopterećenja alata, a da ne morate da ga isključujete i/ili ostavite da se hladi određeno vreme
    - kada temperatura postane previsoka, grejač se sam

isključuje, dok motor nastavlja sa radom proizvođači hladan vazduh

- kada se temperatura spusti na dovoljan nivo (što traje nekoliko sekundi), grejač će se automatski uključiti

**! kada je alat isključen posle rada na podešavanju za visoke temperature, a zatim ponovo uključen posle kratke pauze, grejnom elementu može biti potrebno vreme da dostigne željenu temperaturu**

## SAVETI ZA PRIMENU

- Uklanjanje boje/laka ⑬
    - koristite čisti, oštar strugač
    - kada boja omekša, stružite čvrsto
    - probajte da utvrdite koliko dugo je potrebno da primenjujete toplotu za najbolje rezultate
    - omekšalu boju odmah uklonite struganjem, inače će se ponovo stvrdnuti
    - alat držite pod uglom od 30° do 40° u odnosu na predmet na kojem radite
    - boju i otpatke odmah uklonite sa strugača da se ne bi upalili
    - gde god je moguće, stružite hrapavim delom drveta
    - ne usmeravajte mlaz vrel i vazduha predugo ka istoj površini
    - pažljivo uklonite sve ostatke boje
    - temeljno očistite radnu površinu pošto završite sa radom
- ! budite obazrivi prilikom skidanja slojeva boja u starijim zgradama; moguće je da su ranije korišćene boje sa olovom koje je veoma otrovno**
- ! izlaganje čak i najmanjoj količini olova može prouzrokovati ozbiljna oštećenja mozga i nervnog sistema; mala deca i novorođenčad su naročito osetljiva**
- **! neka olovnu boju ukloni stručno lice bez korišćenja fena sa vrelim vazduhom**
- DRUGI PRIMERI UPOTREBE:**
- ★ uklanjanje (sintetičkih) zidnih obloga
- Uklanjanje boje/laka u blizini stakla ⑭
    - **uvek** koristite zaštitnu mlaznicu za staklo G kada radite u blizini stakla
    - uklonite boju ručnim strugačem
- ! nemojte koristiti alat za uklanjanje boje na prozorima sa metalnim okvirom; metal provodi toplotu što može dovesti do pucanja stakla**
- Uklanjanje nalepnica (koristite okruglu mlaznicu H) ⑮
    - mnoge nalepnice omekšaju prilikom zagrevanja i na taj način omogućavaju da se lepljive veze odvoje i višak lepka ukloni
- ! zagrejte nalepnicu sa gornje strane**
- ! uvek vodite računa da ne pregrejte podlogu**
- DRUGI PRIMERI UPOTREBE:**
- ★ uklanjanje linoleuma i vinskih podnih obloga
  - ★ uklanjanje pokrivki izrađenih od sintetičkih vlakana
  - ★ uklanjanje furnira/lepljenje furnir-traka
  - ★ omekšavanje/topljenje katrana, kalaja, bitumena, smole (koristite okruglu mlaznicu H)
  - ★ voskiranje (skija, nameštaja) (koristite zaštitnu mlaznicu za staklo G) ⑯
  - ★ uklanjanje smole
  - ★ labavljenje zadržalih/previše zategnutih metalnih šrafova, matica i zavrtki
  - ★ uklanjanje voska od sveće (**nemojte pregrijati podlogu**)

- ★ spajanje polomljenih sveča/ispravljanje sveča u prvobitni oblik
  - Sužavanje <sup>17</sup>
    - koristite reflektujuću mlaznicu J ili redukcionu mlaznicu K
    - izaberite cev za sužavanje sa prečnikom koji odgovara predmetu na kojem radite
    - ravnomerno zagrevajte cev za sužavanje
- DRUGI PRIMERI UPOTREBE:

- ★ umotavanje prijanjanjem
- Lemljenje vodnih cevi <sup>18</sup>

Ovaj alat je najpogodniji za rad sa mekim lemljenjem (tačka topljenja ispod 400°)

  - koristite reflektujuću mlaznicu J
  - temeljno očistite oba spojna mesta pre nego što pristupite lemljenju
  - prethodno zagrejte oba dela i nanesite kalaj (**nemojte koristiti kalaj na bazi olova**)

- Otapanje zaleđenih cevi za vodu <sup>19</sup>
    - koristite reflektujuću mlaznicu J
    - ravnomerno zagrejte zaleđeni deo

**! često je teško razlikovati cevi za vodu od cevi za gas; zagrevanje cevi za gas je izuzetno opasno – postoji rizik od eksplozije**
- DRUGI PRIMERI UPOTREBE:

- ★ otapanje cevi za vodu koje su izrađene od PVC-a (**položaj II, maks. 60°C**)
  - ★ otapanje zaleđenih brava na kolima (**položaj II, maks. 60°C**) (koristite redukcionu mlaznicu )
  - ★ otapanje zamrzivača (**nemojte oštetiti plastično kućište**)
  - ★ odleđivanje zaleđenih stepenika i trotoara
  - Uobličavanje plastičnih cevi
    - koristite reflektujuću mlaznicu J
    - napunite cev peskom i zapečatite je na oba kraja da biste izbegli krivljenje cevi
    - ravnomerno zagrejte cev tako što ćete je pomerati od jedne strane ka drugoj
- DRUGI PRIMERI UPOTREBE:

- ★ uobličavanje plastike sa niskom tačkom topljenja (polietilen, PVC itd.)
  - ★ uobličavanje plastike sa visokom tačkom topljenja (akrilno staklo, pleksiglas itd.)
  - ★ uobličavanje pokrivki izrađenih od sintetičkih vlakana
  - ★ uobličavanje i savijanje drveta (modelarstvo)
  - Lepljenje plastike
    - šav koji se vari mora biti očišćen i ne sme biti mastan
    - držite štapić za varenje blizu šava za varenje i primenite toplotu dok štapić za varenje ne postane lepljiv
    - uklonite izvor toplote kada se šav za lemljenje popuni
- DRUGI PRIMERI UPOTREBE:
- ★ popravljjanje dasaka za surfovanje, skija i ostalih sintetičkih sportskih proizvoda (koristite okruglu mlaznicu H)
  - ★ varenje PVC materijala
  - ★ poravnanje izbočina posle nalepljivanja PVC etiketa
  - ★ spajanje baštenskih creva (koristite reflektujuću mlaznicu J)
  - Sušenje
    - ! alat koristite za sušenje na niskoj ili srednjoj temperaturi (položaj I ili II) i sa uvećane razdaljine između alata i predmeta na kojem radite**
    - sušenje boje, laka, gipsa, maltera i gipsanog maltera
    - sušenje vlažne drvene građe pre popunjavanja

- brzo sušenje deblje nanesenog punila ili lepila
- sušenje spojeva u zgradi pre nanošenja izolacije ili gita
- sušenje spojeva i pukotina u brodogradnji
- Čišćenje/dezinfekcija
  - dezinfekcija zečara, golubarnika itd. (**prethodno uklonite ljubimce**)
  - borba protiv kolonije mrava
  - borba protiv crvotočine i napasnih insekata (**držite alat na adekvatnoj razdaljini od drveta**)
  - uklanjanje korova

## ODRŽAVANJE / SERVIS

- Ovaj alat nije namenjen za profesionalnu upotrebu
- Nikada nemojte koristiti lako zapaljive tečnosti za čišćenje fena za vreo vazduh uopšte, a naročito ne za čišćenje otvora/mlaznice
- Alat i kabl uvek održavajte čistim (posebno otvore za hlađenje F <sup>2</sup>)
- Ako bi alat i pored brižljivog postupka izrade i kontrole nekada otkazao, popravku mora vršiti neki autorizovani servis za SKIL-električne alate
  - pošaljite **nerastavljeni** alat zajedno sa potvrdom o kupovini vašem nabavljaču ili najbližem SKIL servisu (adrese i oznake rezervnih delova možete naći na [www.skil.com](http://www.skil.com))
- Imajte na umu da u slučaju oštećenja nastalih usled preopterećenja ili nepravilnog rukovanja alatom garancija neće važiti (za SKIL garantne uslove posetite [www.skil.com](http://www.skil.com) ili pitajte svog prodavca)

## ZAŠTITA OKOLINE

- **Električne alate, pribora i ambalaže ne odlažite u kućne otpatke** (samo za EU-države)
  - prema Evropskoj direktivi 2012/19/EG o staroj električnoj i elektronskoj opremi i njenoj upotrebi u skladu sa nacionalnim pravom, električni alati koji su istrošeni moraju biti sakupljeni odvojeno i dostavljeni pogonu za reciklažu
  - simbol <sup>5</sup> će vas podsetiti na to

(SLO)

## Grelnik zraka

8020/8040

## UVOD

- Orodje je namenjeno za odstranjivanje barve, za oblikovanje in varjenje plastike, za grejje toplotnih krčnih cevk; orodje je primerno tudi za spajkanje in cinjenje, za popuščanje lepljivih stikov in odmrzovanje vodovodnih cevi
- Orodje ni namenjeno profesionalni uporabi
- Preberite in shranite navodila za uporabo <sup>3</sup>

## TEHNIČNI PODATKI <sup>1</sup>

### DELI ORODJA <sup>2</sup>

- A Stikalo vklopi/izklopi
- B Gumbi za nastavitve temperature (8040)
- C Gumbi za nastavitve pretoka zraka (8040)
- D Zaslon (LCD) (8040)
- E Obroč za sprostitve nastavkov

- F Ventilacijske reže
- G Nastavek za zaščito stekla
- H Okrogli nastavek
- J Odbojni nastavek
- K Redukcijski nastavek
- L Zračna odprtina/nastavek
- M Vrtljivo kolo (8020)
- N Gumb za shranjevanje spomina (8040)
- P Gumb za izbiro spomina (8040)

## VARNOST

### SPLOŠNO

- **To orodje lahko otroci, stari 8 let ali več, in osebe z omejenimi fizičnimi, senzoričnimi ali duševnimi sposobnostmi ali pomanjkljivimi izkušnjami in pomanjkljivim znanjem uporabljajo pod nadzorom odgovorne osebe, ki je odgovorna za njihovo varnost, ali če so seznanjeni, kako varno uporabljati orodja in se zavedajo s tem povezanih nevarnosti (v nasprotnem primeru obstaja nevarnost napačne uporabe in poškodb)**
- **Nadzorujte otroke (s tem je zagotovljeno, da se otroci ne igrajo z orodjem)**
- **Otroci ne smejo čistiti in vzdrževati orodje naprave brez nadzora**

### PRED UPORABO:

- Pred vsako uporabo preverite delovanje orodja, v primeru okvare ga oddajte v popravilo strokovnjaku; nikoli ne odpirajte stroja sami
- Pred vsako uporabo preglejte priključno vrstico in vtiakač, v primeru poškodb naj vrstico in vtiakač zamenja strokovnjak
- Uporabljajte povsem iztegnjene in varne električne podaljške, z jakostjo 16 amperov
- Orodja ne smete nikoli uporabljati s poškodovanim kablom. Kabel mora zaradi preprečitve nevarnosti zamenjati proizvajalec, njegov servisni zastopnik ali podobno usposobljene osebe.
- Uporabljajte orodje in pribor ustrezno z navodili za uporabo in glede na namen uporabe orodja; uporaba orodja za dela, ki so različna od normalne uporabe lahko pripeljejo do nevarnih situacij
- Vedno preverite, če je napetost omrežja enaka napetosti, ki je navedena na tablici orodja
- Prepričajte se, če je stikalo izklopljeno, preden priključite priključni kabel

### MED UPORABO:

- S strojem ravnajte pazljivo; preprečite ogenj in opekline
    - ne dotikajte se zračnega izpuha/nastavka in segrelih predmetov; ti postanejo zelo vroči
    - ne držite zračnega izpuha/nastavka preblizu predmeta, ki ga segrevate
    - nikoli ne usmerjajte vročega zračnega toka predolgo na isto površino
    - nikoli ne glejte v zračni izpuh/nastavek
    - nosite zaščitne rokavice in uporabljajte zaščitna očala
    - ne usmerjajte vročega zračnega toka v ljudi in živali
    - nikoli ne uporabljajte orodja za sušenje las
    - nikoli ne pustite orodja brez nadzora
    - nikoli ne uporabljajte orodja v bližini vnetljivih plinov ali gorljivih materialov (**nevarnost eksplozije**)
    - v primeru dela s plastiko, barvo, lakom in podobnimi materiali se lahko pojavljajo vnetljivi in strupeni plini; pozanimajte se o materialih s katerimi boste delali
    - upoštevajte, da se utegne vročina prenašati na gorljive materiale, ki so izven vašega vidnega polja
    - če kakšen material povzroči ogenj, imejte zaradi varnosti vedno pri roki vedro vode ali ročni gasilni aparat
  - Preprečevanje električnih stikov
    - nikoli ničesar ne porivajte/suvajte z zračnim izpuhom/nastavkom
    - izogibajte se telesnih stikov z ozemljenimi površinami (npr. cevi, radiatorji, hladilniki, štedilniki)
    - zagotovite, da orodje ne bo mokro
    - ne uporabljajte orodja v vlažnih prostorih
    - pri zunanji uporabi priključite orodje preko tokovnega zaščitnega stikala (FID) z občutljivostjo toka največ 30 mA; vedno uporabljajte podaljšek, ki je namenjen za zunanjo uporabo in z zaščito proti vlagi
  - S priključno vrstico ravnajte pazljivo
    - vedno držite priključno vrstico stran od vročega zračnega toka in zraka izpuha/nastavka
    - držite priključno vrstico stran od vročine, olja in ostrih robov
    - ne prenašajte orodja z držanjem za priključno vrstico in ne povlecite vtiakača iz vtičnice s potegom za priključno vrstico
    - ne obešajte orodja na priključno vrstico
  - Nikoli ne uporabljajte orodja pri delu s kemičnimi topili
  - Poskrbite, da je delovno področje primerno zračeno
  - Delovno področje naj bo čisto
  - Bodite zbrani; glejte kako delate, delajte razumno in ne uporabljajte orodja, če ste utrujeni
  - Zavzemite varen položaj; ne pojdite predaleč, posebno na lestvah in gradbenih odrih
  - Zagotovite, da je orodje izključeno preden ga odložite
  - Če pride do električnih ali mehanskih okvar, takoj izklopite stroj in izvlecite vtiakač iz vtičnice
- ### PO UPORABI:
- položite orodje navzdol na njegovo zadnjo stran v navpični položaj
  - Izklopite orodje in izvlecite vtiakač iz vtičnice
  - Pred shranjevanjem orodje ohladite vsaj 30 min
  - Nikoli ne shranjujte/pustite na prostem
  - Shranjujte orodje na suhem mestu in izven dosega otrok
- ### POJASNILO OZNAK NA ORODJU
- ③ Pred uporabo preberite navodila za uporabo
  - ④ Dvojni izolacija (ozemljitveni kabel ni potreben)
  - ⑤ Orodja ne odstranjujte s hišnimi odpadki

## UPORABA

- Vklonpo/izklonpo stikalo s temperaturnimi nastavitvami

⑥

**! preverite, če je stikalo A ② v položaju "0" pred vklopom**

- vklopite stroj s potiskom stikala A v zeleni položaj:

**8020**

I = 50°C, pretok zraka 350 l/min

II = 450°C, pretok zraka 350 l/min

III = 600°C, pretok zraka 500 l/min

**8040**

I = 50°C + pretok zraka 250-500 l/min

II = 50°C ... 650°C, pretok zraka 250-500 l/min

- ob prvi uporabi se lahko pojavi v izpuhu dim, kar je normalno in bo hitro izginil

- izklopite stroj s potiskom stikala A v položaj "0"

- Nastavljanje temperature

**! za označene temperature velja dovoljeno odstopanje**

**50–90 °C: najv. 90 °C**

**manj kot 300 °C: ±20 %**

**več kot 300 °C: ±10 %**

**8020**

- uporabite vrtljivo kolo M, da izberete zeleno nastavev temperature

- pomagajte si s tabelo ⑥

**8040 ⑦**

- zeleno ciljno temperaturo nastavite v stopnjah po 10°C s kratkim pritiskom gumbov B

- s pritiskom na gumba B se ciljna temperatura povečuje/zmanjšuje, dokler gumba ne spustite ali dokler ni dosežena minimalna/maksimalna temperatura

- ko nastavite ciljno temperaturo, pričnejo na zaslonu D utripati puščice, dokler ni dosežena zaželeno temperatura (samo v položaju „II“)

- ciljna temperatura se shrani v spomin grelnika zraka, tako da se grelnik vsakič, ko ga vključite, segreje na zadnjo izbrano ciljno temperaturo

- Nastavev pretoka zraka ⑧ (8040)

- zeleni pretok zraka nastavite v stopnjah po 50 l/min s kratkim pritiskom gumbov C

- prikazovalnik D kaže dejansko nastavev pretoka zraka v stolpcnem diagramu

- Nastavev spomina ⑨ (8040)

- če želite izbrati eno od štirih shranjenih nastavev spomina, pritisnite gumb P

- če želite shraniti nastavev za temperaturo in pretok zraka, pritisnite gumb P, da izberete položaj spomina, nastavev zaželeno temperaturo in pretok zraka ter pritisnite in držite gumb N, da shranite nastavev

- Splošna uporaba

- določite pravo temperaturo s preverjanjem na neopaznem delu obdelovanca; pričnite z nizko temperaturno nastavitvijo

- temperatura pada glede na razdaljo med zračno odprtino/nastavkom in narašča na obdelovancu

- potrebna temperatura je odvisna od materiala, ki ga obdelujemo

- Stacionarna uporaba ⑩

- položite orodje navzdol na njegovo zadnjo stran v navpični položaj

- prepričajte se, da je površina čista in brez prahu;

- onesnažen zrak poškoduje motor

- prepričajte se, da je zračni tok usmerjen stran od vas

- zaščitite priključno vrstico, da preprečite vlečenje stroja navzdol

- ne dotikajte se zračne odprtine/nastavka

- prepričajte se, da ne bo kapljalo v zračno odprtino/nastavek

- pazljivo držite orodje z eno roko medtem, ko ga z drugo izklapljate in nato omogočite, da se temperatura stroja zniža

- Držanje in vodenje orodja ⑪

- držite orodje z eno roko

- ventilacijske reže F ② morajo biti nepokrite

- Standardni pribor ⑫

- nastavek za zaščito stekla G (preprečuje direktni dotok zraka na steklo)

- okrogel nastavek H (za koncentracijo pretoka zraka)

- odbojni nastavek J (za odboj zračnega toka - objem obdelovanca)

- redukcijski nastavek K (za koncentracijo zračnega toka v ožji izpuh)

OPOMBE:

- vsi primeri uporabe (**razen odstranjevanje barve ob steklu**) se lahko izvedejo brez dodatnega pribora; uporaba primernega pribora delo poenostavi in izboljša rezultate dela

- to orodje je mogoče uporabljati tudi v kombinaciji s splošno dostopnim priborom za pištole na vroč zrak

- Montaža in odstranjevanje pribora

- preprosto prilagodite pribor na zračno odprtino L ⑬

- odstranite pribor s potegom s sprednje strani, ko se ta ohladi

**! montirajte pribor vedno, ko je zračna odprtina hladna, pri stikalu v položaju "0" in, ko je vtiak izključen**

- za enostavno odstranjevanje vročih nastavkov uporabljajte obroč za sprostitev nastavkov E ⑭

- Nadzor konstantne temperature (zaščita pred preobremenitvijo)

Ščiti grelni element pred poškodbami, če je orodje preobremenjeno brez prekinitve in/ali če se temperatura v določenem času zniža

- če se temperatura preveč dvigne, se grelni element samodejno izključi medtem motor normalno teče in piha hladen zrak

- ko temperatura pade (tudi samo za nekaj sekund), bo grelni element vključen avtomatično

**! ko orodje izklopite po delu z nastavitvijo za visoko temperaturo in ga po kratkem času znova vklopite, lahko traja nekaj časa, preden grelnik doseže zeleno temperaturo**

## UPORABNI NASVETI

- Odstranjevanje barve/laka ⑮

- uporabite čisto in ostro strgalo

- ko se barva zmechča, čvrsto strgajte

- poizkusite ugotoviti dolžino časa temperature, ki je potrebna za optimalne rezultate

- strgajte barvo takoj ko se zmechča, sicer bo postala ponovno trda

- orodje držite pod kotom 30° do 40° glede na obdelovanec

- barvo in ostanke odstranite s strgala takoj, da ne pride do vžiga

- strgajte z lesenim predmetom kjerkoli je mogoče

- nikoli ne usmerjajte vročega zračnega toka predolgo na isto površino
- varno odstranite vse ostanke barve
- po končanem delu temeljito očistite delovno področje
- ! **bodite previdni, ko odstranjujete lakirane barve iz starih površin; v preteklosti so lahko barve vsebovale tudi svinec, ki je zelo strupen**
- ! **izpostavljanje svincu, tudi samo nizkemu nivoju, lahko povzroči resne poškodbe živčnega sistema in možganov; mlajši in še ne rojeni otroci so posebno občutljivi**
- ! **barve, ki vsebujejo svinec naj odstrani strokovnjak brez uporabe grelnika zraka**

#### OSTALI UPORABNI PRIMERI:

- ★ odstranjevanje (sintetičnih) zidnih oblog
- Odstranjevanje barve/laka ob steklu (14)
  - vedno uporabljajte nastavek za zaščito stekla G kadar delate ob steklu
  - barvo odstranite z ročnim strgalom
  - ! **nikoli ne uporabljajte orodja za odstranjevanje barve na kovinskih okvirih oken; kovina je toplotni prevodnik, zato lahko pride do pokanja stekla**
- Odstranjevanje nalepk (uporabite okrogli nastavek H) (15)
  - veliko lepil s segrevanjem postane mehkejše, tako dosežemo, da lepilo popusti, hkrati pa lahko odstranimo tudi odvečno lepilo
  - ! **segrevajte nalepko na zgornji strani**
  - ! **bodite pozorni na pregrevanje površine pod nalepko**

#### OSTALI UPORABNI PRIMERI:

- ★ odstranjevanje linolejev in vinilnih podov
- ★ odstranjevanje podov izdelanih iz sintetičnih vlaken
- ★ odstranjevanje furnirjev, prilepljenih z furnirnimi trakovi
- ★ mehčanje/topljenje smol, cina, bitumna in voska (uporabite okrogli nastavek H)
- ★ voskanje (smuči, pohišva) (uporabljajte nastavek za zaščito stekla G) (16)
- ★ odstranjevanje umetnih smol
- ★ odvijanje zarjavelih/premočno privitih kovinskih vijakov in matic
- ★ odstranjevanje voska sveč (**ne pregrejte spodnje površine**)
- ★ popravilo polomljenih ali skrivljenih sveč v njihovo prvotno obliko
- Montaža fittingov (17)
  - uporabite odbojni nastavek J ali redukcijski nastavek K
  - izberite fitting ustreznega premera
  - fitting enakomerno segrevajte
- OSTALI UPORABNI PRIMERI:
  - ★ krčenje embalažne folije
- Lotanje vodovodnih cevi (18)
  - To orodje je zelo uporabno za mehko lotanje (temperatura taljenja pod 400°C)
  - uporabite odbojni nastavek J
  - pred lotanjem temeljito očistite obe spojni mesti
  - predhodno segrejte obe spojni mesti ter dodajte žico za lotanje (**ne uporabljajte žice za lotanje na bazi svinca**)
- Odmrzovanje vodovodnih cevi (19)
  - uporabite odbojni nastavek J
  - enakomerno segrevajte zamrznjeno področje
  - ! **vodovodne cevi je pogosto težko razlikovati od plinskih cevi; segrevanje plinskih cevi je zelo nevarno – nevarnost eksplozije**

#### OSTALI UPORABNI PRIMERI:

- ★ **odmrzovanje vodovodnih cevi iz PVC (položaj II, maks. 60°C)**
- ★ **odmrzovanje avtomobilskih ključavnic (položaj II, maks. 60°C)** (uporabite redukcijski nastavek)
- ★ **odtaljevanje hladilnikov in zamrzovalnih skrinj (ne poškodujte plastičnih delov/ohišja)**
- ★ **odtaljevanje z ledom pokritih stopnic in tlakov**
- Oblikovanje plastičnih cevi
  - uporabite odbojni nastavek J
  - za preprečevanje poškodb na cevi, cev napolnite s peskom in oba konca cevi zaprite
  - enakomerno segrevajte cev z gibanjem iz ene strani na drugo stran

#### OSTALI UPORABNI PRIMERI:

- ★ **oblikovanje plastičnih mas, ki imajo nizko temperaturo topljenja (polietilen, PVC, itd.)**
- ★ **oblikovanje plastičnih mas, ki imajo visoko temperaturo topljenja (pleksi steklo, itd.)**
- ★ **oblikovanje in upogibanje podov izdelanih iz sintetičnih vlaken**
- ★ **oblikovanje in upogibanje lesa (modelarsko oblikovanje)**
- Varjenje plastičnih mas
  - mesto varjenja mora biti čisto in nemastno
  - držite palico za varjenje blizu varjenja šiva in usmerjajte temperaturo na zvar, dokler palica ne postane lepljiva
  - prenehajte s segrevanjem, ko je šiv zapolnjen
- OSTALI UPORABNI PRIMERI:
  - ★ **popravilo jadrnalnih desk, smuči in ostalih športnih pripomočkov izdelanih iz sintetičnih snovi (uporabite okrogli nastavek H)**
  - ★ **varjenje PVC materialov**
  - ★ **glajenje mehurjev po lepljenju PVC nalepk**
  - ★ **spajanje gumijastih cevi za zalivanje (uporabite odbojni nastavek J)**
- Sušenje
  - ! **vedno sušite z nizko ali srednjo temperaturno nastavitvijo (položaj I ali II) in z naraščajočo oddaljenostjo med orodjem in obdelovancem**
  - sušenje barve, lakov, mavca, malte
  - sušenje stavbnega lesa pred kitanjem
  - hitro sušenje gostih polnil ali lepil
  - sušenje pred nanašanjem izolacijskih ali tesnilnih sredstev
  - sušenje spojev in razpok pri izdelavi čolnov
- Čiščenje/dezinficiranje
  - dezinficiranje zajčjih kletk, golobjakov itd. (**živali najprej odstranite**)
  - odstranjevanje kolonij mravelj
  - odstranjevanje lesnega črva in nadležnih hroščev (**držite orodje na primerni oddaljenosti od lesa**)
  - uničevanje plevela

## VZDRŽEVANJE/SERVISIRANJE

- Orodje ni namenjeno profesionalni uporabi
- Nikoli ne uporabljajte lahko vnetljivih tekočin za čiščenje grelnika zraka (še posebej ne za čiščenje zračne odprtine)
- Priključni kabel in orodje naj bosta vedno čista (posebej še prezračevalne odprtine F (2))
- Če bi kljub skrbnim postopkom izdelave in preizkušanja prišlo do izpada delovanja orodja, naj

popravilo opravi servisna delavnic, pooblastšena za popravila SKILevih električnih orodj

- pošljite **nerazstavljeno** orodje skupaj s potrdilom o nakupu pri vašemu prodajalcu v najbližjo SKIL servisno delavnic (naslovi, kot tudi spisek rezervnih delov se nahaja na [www.skil.com](http://www.skil.com))

- Zavedajte se, da garancija ne vključuje poškodb zaradi preobremenitve orodja ali nepravilne rabe (glede SKILovih garancijskih pogojev obiščite [www.skil.com](http://www.skil.com) ali povprašajte prodajalca)

## OKOLJE

- **Električnega orodja, pribora in embalaže ne odstranjujete s hišnimi odpadki** (samo za države EU)
  - v skladu z Evropsko direktivo 2012/19/EG o odpadnih električni in elektronski opremi in z njenim izvajanjem v nacionalni zakonodaji je treba električna orodja ob koncu njihove življenjske dobe ločeno zbirati in jih predati v postopek okolju prijaznega recikliranja
  - ko je potrebno odstranjevanje, naj vas o načinu spomni simbol ⑤

EST

**Kuumaõhupuhur 8020/8040**

## SISSEJUHATUS

- Antud seade on ettenähtud värvi eemaldamiseks, plastmaterjalide vormimiseks ja keevitamiseks ning termokahaneva isolatsioonitru kuumutamiseks; seade sobib ka joomistõõde teostamiseks, liimühenduste ja veetorude sulatamiseks
- Tööriist pole mõeldud professionaalseks kasutamiseks
- Palun lugege käesolev kasutusjuhend hoolikalt läbi ja hoidke alles ③

## TEHNILISED ANDMED ①

### SEADME OSAD ②

- A Töölülit (sisse/välja)
- B Nupud temperatuuri seadistamiseks (8040)
- C Nupud õhuvoolu seadistamiseks (8040)
- D Näidik (LCD) (8040)
- E Otsaku vabastusrõngas
- F Õhutusavad
- G Klaasikaitseotsak
- H Ümar otsak
- J Reflektorotsak
- K Redutseeriv otsak
- L Õhuava/otsak
- M Valimisratas (8020)
- N Mälu salvestamise nupp (8040)
- P Mälu valimise nupp (8040)

## OHUTUS

### ÜLDIST

- **Üle 8 aasta vanused lapsed ja isikud, kelle füüsilised või vaimsed võimed on piiratud**

**või kellel puuduvad seadme kasutamiseks vajalikud teadmised ja kogemused, tohivad seadet kasutada vaid siis, kui nende üle teostatakse järelevalvet või kui neile on antud täpsed juhised seadme ohutuks käsitlemiseks ja kui nad mõistavad seadmega kaasnevat ohte (vastasel korral tekib vales käsitlemisest põhjustatud kehavigastuste ja varalise kahju oht)**

- **Ärge jätke lapsi järelevalveta (seeläbi tagate, et lapsed ei hakka seadmega mängima)**
- **Lapsed tohivad seadet hooldada ja puhastada vaid täiskasvanute järelevalve all**

### ENNE KASUTAMIST:

- Iga kord enne seadme kasutamist kontrollige selle töökorrasolekut; kahjustuste ilmnemisel laske seade parandada vastava kvalifikatsiooniga isikul; ärge kunagi avage seadet ise
- Kontrollige seadme toitejuheta ja pistikut iga kord enne kasutamist ning laske need kahjustuste ilmnemisel vastava kvalifikatsiooniga isikul välja vahetada
- Pikendusjuhtmete kasutamisel jälgige, et juhe oleks lõpuni lahti keritud ja vastaks 16 A voolutugevusele
- Ärge kasutage kunagi tööriista, kui juhe on kahjustatud; ohu vältimiseks tuleb peab tootja, hooldusesindaja või samaväärselt kvalifitseeritud isik selle välja vahetama.
- Kasutage seadet ja selle lisatarvikuid ainult vastavalt käesolevas kasutusjuhendis kirjeldatule ning seadme jaoks ettenähtud viisil; seadme kasutamine tööoperatsioonideks, mille teostamiseks see pole ette nähtud, võib põhjustada ohtliku olukorra
- Kontrollige alati, kas võrgupinge ühtib tööriista andesildil toodud pingega
- Vooluvõrku ühendamisel veenduge, et tööriist on välja lülitatud

### KASUTAMISE AJAL:

- Käige seadmega hoolikalt ringi; hoiduge tule ja põletuste eest
  - ärge puudutage seadme otsakut/düüsi ega töödeldavat detaili, kuna need muutuvad äärmiselt kuumaks
  - ärge hoidke seadme otsakut/düüsi töödeldavale detailile liiga lähedal
  - ärge suunake kuuma õhuvoolu liiga kaua ühele ja samale kohale
  - ärge kunagi vaadake seadme otsakusse/düüsi
  - kandke kaitsekindaid ja kaitseprille
  - ärge suunake kuuma õhuvoolu kunagi teiste inimeste ega loomade pihta
  - ärge kunagi kasutage seadet juuste kuivatamiseks
  - ärge jätke seadet kunagi järelevalveta

- ärge kasutage seadet kunagi süttimisohlike gaaside või tuleohlike materjalide läheduses (**plahvatusoht**)
- plastrmaterjalide, värvi, laki ja teiste analoogiliste materjalide töötlemisel võivad tekkida süttimisohklikud ja mürgised gaasid; hankige töödeldavate materjalide kohta eelnevalt teavet
- pidage silmas, et kuumus võib tuleohlikele materjalidele kanduda ka väljaspool Teie nägemisulatust
- ohutuse huvides hoidke käepärast ämber vett või tulekustuti juhuks, kui mõni materjal peaks süttima
- Välitge elektrilööki
  - ärge kunagi toppige midagi seadme otsakusse/düüsi
  - välitge kehalist kontakti maandatud objektidega (nt torud, küttekehad, pliidid, külmkapid)
  - hoolitsege selle eest, et seade ei saaks märjaks
  - ärge kasutage seadet niiskes keskkonnas
  - tööde teostamisel välitingimustes tuleb kasutada rikkevoolu-kaitselülitit (FI max 30 mA käivitusvool) ning ainult välitingimustes kasutamiseks ette nähtud ja veepritsmete eest kaitstud pistikupesaga pikendusjuhet
- Käsitsege toitejuhet ettevaatlikult
  - hoidke toitejuhe kogu aeg eemal kuumast õhuvoolust ja seadme otsakust/düüsi
  - hoidke toitejuhe eemal kuumusest, õlidest ja teravatest servadest
  - ärge kandke seadet, hoides seda toitejuhtmest, ega rebige toitejuhet voolu katkestamiseks pistikupesast välja
  - ärge riputage seadet toitejuhet pidi üles
- Ärge kasutage seadet kunagi ühenduses keemiliste lahustitega
- Hoolitsege selle eest, et tööpiirkonnas oleks piisav ventilatsioon
- Hoidke tööpiirkond puhas ja hästi valgustatud
- Olge alati valvas; jälgige, mida teete, töötage mõistlikult ja ärge kasutage seadet, kui olete väsinud
- Võtke stabiilne tööasend, ärge võtke ebaloomulikku asendit, eriti siis, kui seisate redelil või mõnel muul alusel
- Jälgige, et seade oleks enne käestpanemist välja lülitatud
- Seadme elektrilise või mehhaanilise häire korral lülitage seade viivitamatult välja ja eemaldage pistik vooluvõrgust

#### PÄRAST KASUTAMIST:

- asetage seade püstiasendisse, toetades seda seisutallale
- Lülitage seade välja ja eemaldage pistik vooluvõrgust
- Laske seadmel enne ärapanekut vähemalt 30 min jahtuda
- Ärge hoidke/jätke seadet välitingimustes
- Hoidke seadet kuivas ja suletud kohas, lastele kättesaamatult

#### TÖÖRIISTAL OLEVATE SÜMBOLITE SELGITUS

- ③ Enne kasutamist tutvuge kasutusjuhendiga
- ④ Topeltisolatsioon (maandusjuhe pole vajalik)
- ⑤ Ärge visake kasutuskõlbmatuks muutunud tööriista ära koos olmejäätmetega

## KASUTAMINE

- Lülitati sisse- ja väljalülitamiseks ning seadme temperatuurirežiimi valimiseks ⑥
- ! enne seadme ühendamist vooluvõrku kontrollige, et lülitit A ② on asendis "0"
- lükates lülitit A, valige soovitud režiim:

#### 8020

I = 50°C, õhuhulk 350 liitrit/minutis  
 II = 450°C, õhuhulk 350 liitrit/minutis  
 III = 600°C, õhuhulk 500 liitrit/minutis

#### 8040

I = 50°C + õhuhulk 250-500 liitrit/minutis

II = 50°C ... 650°C, õhuhulk 250-500 liitrit/minutis

- seadme esmakordsel kasutamisel võib seadme eeralduda pisut suitsu; see on normaalne ja ei kesta kaua
- seadme väljalülitamiseks lükake lülitit A asendisse "0"
- Temperatuuri seadistamine

#### ! näidustatud temperatuuridel on lubatud hälve

50...90 °C: max 90 °C

vähem kui 300 °C: ± 20%

rohkem kui 300 °C: ± 10%

#### 8020

- kasutage valimisrattast M soovitud temperatuurisätte valimiseks

- juhinduge tabelist ⑥

#### 8040 ⑦

- seadistage sihttemperatuur 10 °C sammudega soovitud väärtusele, vajutades lühidalt nuppe B
- kui nuppe B katkematult vajutada, tõuseb/langeb sihttemperatuur pidevalt, kuni nupud vabastatakse või temperatuur jõuab miinimum-/maksimumväärtusele
- kui sihttemperatuur on seadistatud, kuvab ekraan D vilkuvaid nooli, kuni soovitud temperatuur on saavutatud (ainult asendis „II“)
- sihttemperatuur salvestatakse seadme mälu, nii et iga kord pärast seadme sisselülitamist kuuneneb seade viimase valitud sihttemperatuurini
- Õhuvoolu seadistamine ⑧ (8040)
  - seadistage õhuvool sammuga 50 l/min soovitud väärtusele, vajutades lühidalt nuppe C
  - näidik D näitab õhuvoolu tegelikku sätet tulpdiaagrammina
- Mäluseade ⑨ (8040)
  - neljast salvestatud mäluseadest ühe valimiseks vajutage nuppu P
  - temperatuuri ja õhuvoolu sätete salvestamiseks vajutage nuppu P mälu asukoha valimiseks, seadistage soovitud temperatuur ja õhuvool ning vajutage ja hoidke nuppu N seadistuse salvestamiseks
- Üldine kasutamine
  - tehke kindlaks õige temperatuur, kasutades seadet töödeldava detaili varjatumas osas; alustage madalama temperatuuriga
  - temperatuur langeb vahemaa suurenedes seadme otsaku/düüsi ja töödeldava detaili vahel
  - vajalik temperatuur sõltub töödeldavast materjalist
- Statsionaarne kasutus ⑩
  - asetage seade püstiasendisse, toetades seda seisutallale
  - hoolitsege selle eest, et töödeldava detaili pind oleks puhas ja tolmuvaba; saastunud õhk kahjustab mootorit
  - hoolitsege selle eest, et õhuvool oleks suunatud Teist eemale
  - kinnitage toitejuhe, et vältida seadme allatõmbamist
  - ärge puudutage seadme otsaku/düüsi
  - hoolitsege selle eest, et midagi ei kukuks kuumaõhupuhuri otsakusse/düüsi
  - hoidke seadet ettevaatlikult ühe käega, seda samal ajal teise käega välja lülitades; laske seadmel seejärel jahtuda

- Tööriista hoidmine ja juhtimine <sup>11</sup>
  - hoidke seadet ühe käega
  - hoidke õhutusavad F <sup>2</sup> kinnikatmata
- Standard-lisatarvikud <sup>2</sup>
  - klaasikaitseotsak G (õhujoo eemalejuhtimiseks)
  - ümar otsak H (õhujoo kontsentreerimiseks)
  - reflektorotsak J (õhujoo eemalejuhtimiseks)
  - redutseeriv otsak K (õhujoo eemalejuhtimiseks)

#### MÄRKUSED:

- kõiki siin näidetena toodud tööoperatsioone (**v.a värvi eemaldamiseks akendelt**) saab teostada ilma lisatarvikuteta; kuid lisatarvikute kasutamine hõlbustab tööde teostamist ja parandab lõpptulemuse kvaliteeti
- seda tööriista saab kasutada ka koos laialdaselt saadaolevate tarvikutega kuumaõhupuhurite
- Lisatarvikute külgmonteerimine/eemaldamine
  - monteeri lisatarvik lihtsalt seadme otsaku L <sup>2</sup> külge
  - eemaldage lisatarvik, tõmmates seda pärast jahtumist ettepoole
- ! **kinnitage lisatarvik vaid siis, kui seadme otsak on külm, lüliti asub asendis "0" ja pistik on vooluvõrgust eemaldatud**
  - kasutage otsaku vabastusrõngast E kuumade otsakute hõlpsaks eemaldamiseks <sup>12</sup>
- Kuumuse konstant-kontroll (ülekoormuskaitse)
  - Kaitseb kütteelementi kahjustuste eest, kui seade on üle koormatud, ilma et seda peaks seiskama ja/või teatud aja jahtuda laskma
  - kui temperatuur on liiga kõrge, lülitub kütteelement automaatselt välja, mootor töötab edasi, tekitades külma õhku
  - kui temperatuur on piisavalt langenud (võtab aega vaid paar sekundit), lülitub kütteelement automaatselt sisse
- ! **kui lülitate tööriista pärast kõrge temperatuurisättega tööd välja ning varsti uuesti sisse, võib kütteelementi soovitud temperatuurini jõudmine aega võtta**

## TÖÖJUHISED

- Värvilaki eemaldamine <sup>13</sup>
  - kasutage puhast, teravat kaabitsat
  - kui värv pehmeneb, eemaldage see tugevalt kaapides
  - tehke proovi, tegemaks kindlaks, kui kaua tuleb optimaalse tulemuse saavutamiseks kuumust rakendada
  - pehmenenud värv tuleb kohe eemaldada, kuna vastasel juhul muutub see uuesti kõvaks
  - hoidke seadet töödelitava detaili suhtes 30° kuni 40° nurga all
  - eemaldage värv ja mustus kaabitsalt viivitamatult, vältimaks nende süttimist
  - võimaluse korral kaapige seda piki puidukiudu
  - ärge suunake kuuma õhuvoolu liiga kaua ühele ja samale kohale
  - kahjutustage kõik värvijäägid hoolikalt
  - puhastage tööpiirkond pärast töö lõppu hoolikalt
- ! **olge ettevaatlik värvikihtide eemaldamisel vanades hoonetes; vanasti kasutati hoonete värvimisel ka ülimürgist pliisülsaldusega värvi**
- ! **plii eraldumine isegi väikeses koguses võib tõsiselt kahjustada aju ja närvisüsteemi; eriti ohustatud on väikelapsed ja emämas beebid**
- ! **plii baasil värv laske eemaldada spetsialistil, kuumaõhupuhuri kasutamine on keelatud**

#### VEEL KASUTUSNÄITEID:

- ★ (süntheetiliste) seinakattematerjalide eemaldamine
- Värvil laki eemaldamine akendelt <sup>14</sup>
  - klaasi läheduses töötamisel kasutage **alati** klaasikaitseotsakut G
  - eemaldage värv pahtlibadaga
  - ! **ärge kasutage seadet värvi eemaldamiseks metallraamidega akendelt; metall on hea soojusjuht, mistõttu võib klaas puruneda**
- Kleebiste eemaldamine (kasutage ümar otsakut H) <sup>15</sup>
  - paljud liimid muutuvad soojendamisel pehmeks, tänu millele saab liimühenduse sulatada ja üleliigse liimi eemaldada
  - ! **kuumutage kleebiseid ülemisel poolel**
  - ! **jälgi, et selle all asuv pind ei kuumeneks üle**
- VEEL KASUTUSNÄITEID:
- ★ liinoleumist ja vinüülist põrandakatete eemaldamine
- ★ kunstkiududest vaipkatete eemaldamine
- ★ vineeri eemaldamine/vineerilistude paigaldamine
- ★ tõrva, tina, bituumeni, vaha pehmenemine/ sulatamine (kasutage ümar otsakut H)
- ★ vahatamine (suusad, mööbel) (kasutage klaasikaitseotsakut G) <sup>16</sup>
- ★ vaigu eemaldamine
- ★ roostetanud/liiga tugevalt kinnikeeratud metallkruvide, -mutrite ja -poltide lõdvendamine
- ★ künnlavaha eemaldamine (**vältige selle all asuva pinna kuumenemist**)
- ★ murdunud künnalde parandus/kõverakspaindunud künnalde esialgse kuju taastamine
- Termokahaneva toru kuumutamine <sup>17</sup>
  - kasutage reflektorotsakut J või redutseerivat otsakut K
  - valige töödeldava detailiga sobiva läbimõõduga termokahanev toru
  - kuumutage termokahanevat toru ühtlaselt
- VEEL KASUTUSNÄITEID:
- ★ termokahanev pakendus
- Veetorude jootmine <sup>18</sup>
  - Seade sobib ideaalselt pehmejoodistõdeks (sulamispunkt alla 400°)
  - kasutage reflektorotsakut J
  - puhastage mõlemad ühendatavad lõigud enne jootmist põhjalikult
  - kuumutage eelnevalt mõlemat lõiku ja asetage kohale jootetraat wire (**kasutage plii baasil jootetraati**)
- Külmunud veetorude sulatamine <sup>19</sup>
  - kasutage reflektorotsakut J
  - sulatage külmunud ala ühtlaselt üles
- ! **veetorusid on sageli raske gaasitorudest eristada; gaasitorude kuumutamine on äärmiselt ohtlik – plahvatusoht**
- VEEL KASUTUSNÄITEID:
- ★ PVC-st veetorude sulatamine (**asend II, max 60°C**)
- ★ külmunud autolokkude sulatamine (**asend II, max 60°C**) (kasutage redutseerivat otsakut )
- ★ sügavkülmkirstude sulatamine (**ärge kahjustage plastkorpust**)
- ★ jääga kaetud triestriimide ja kõnniteede sulatamine
- Plastitorude vormimine
  - kasutage reflektorotsakut J
  - kuumenud plasttoru läbivajumise vältimiseks täitke see liivaga ja sulgege selle mõlemad otsad
  - kuumutage toru ühtlaselt, liigutades seda edasi-tagasi



## VEEL KASUTUSNÄITEID:

- ★ kõikide madala sulamispunktiga plastmaterjalide (polüetüleen, PVC jne) vormimine
- ★ kõikide kõrge sulamispunktiga plastmaterjalide (akrüülklaas, pleksiklaas jne) vormimine
- ★ kunstkiududest vaipkatete vormimine ja painutamine
- ★ puidu vormimine ja painutamine (mudelehitus)
- Plastmaterjalide keevitus
  - keevisõmblus peab olema puhas ja rasvavaba
  - hoidke keevitusvarrast keevisõmbluse lähedal ja töödelge seda kuumusega, kuni keevitusvarras muutub kleepuvaks
  - lõpetage kuumusega töötlemine, kui keevisõmblus on täidetud

## VEEL KASUTUSNÄITEID:

- ★ purjelaudade, suuskade jt plastmaterjalist sporditarvete parandus (kasutage ümar otsakut H)
- ★ PVC-materjalide keevitus
- ★ mullide silumine pärast PVC-etikettide paigaldamist
- ★ aiavoolikute ühendamine (kasutage reflektorotsakut J)
- Kuivatamine

**! kuivatage ainult madalal või keskmisel temperatuurirežiimil (asend I või II) ning hoides seadme ja töödeldava eseme vahel suuremat vahekaugust**

- värvi, laki, kipsi, mördi ja krohvi kuivatamine
- märke puidu kuivatamine enne täitmist
- paksult pealekantud täitematerjali või liimi kiirkuivatust
- ehitusvuukide kuivatamine enne isolatsiooni- või tihendussegude pealepühustamist
- vuukide ja pragude kuivatamine paadiehituses
- Puhastamine/desinfitseerimine
  - küllikupuuride, tuvipuuride jne desinfitseerimine (**võtke loom või lind eelnevalt puurist välja**)
  - sipelgakolooniate hävitamine
  - puidukahjurite ja putukate tõrje (**hoidke seadet puudust piisaval kaugusel**)
  - umbrohutõrje

## HOOLDUS/TEENINDUS

- Tööriist pole mõeldud professionaalseks kasutamiseks
- Ärge kunagi kasutage kuumaõhupuhuri ja eriti selle otsaku/düüsi üldiseks puhastuseks süttimisohutlikke vedelikke
- Hoidke seade ja toitejuhe alati puhtad (eriti õhutusavad F ②)
- Tööriist on hoolikalt valmistatud ja testitud; kui tööriist sellest hoolimata rikki läheb, tuleb see lasta parandada SKILi elektriliste käsitööriistade volitatud remonditöökojas
  - toimetage **lahtimonteerimata** seade koos ostukviitungiga tarnijale või lähimasse SKILi lepinguliselt töökotta (aadressid ja tööriista varuosade joonise leiata aadressil [www.skil.com](http://www.skil.com))
- Arvestage sellega, et garantii ei hõlma seadme ülekoormamisest või ebaõigest käsitlemisest tulenevaid kahjustusi (teavet SKILi garantitingimuste kohta vaadake veebilehelt [www.skil.com](http://www.skil.com) või küsige kohalikult müügiesindajalt)

## KESKKOND

- **Ärge visake kasutuskoõlbmatuks muutunud elektrilisi tööriistu, lisatarvikuid ja pakendeid ära koos**

## olmejäätmetega (üksnes EL liikmesriikidele)

- vastavalt Euroopa Parlamendi ja nõukogu direktiivile 2012/19/EÜ elektri- ja elektroonikaseadmete jäätmete kohta ning direktiivi nõuete kohaldamisele liikmesriikides tuleb kasutuskoõlbmatuks muutunud elektrilised tööriistad koguda eraldi ja keskkonnasäästlikult korduvkasutada või ringlusse võtta
- seda meenutab Teile sümbol ⑤

LV

## Karstā gaisa plūsmas 8020/8040 generators

### IEVADS

- Šis instruments ir paredzēts krāsas noņemšanai, plastmasas metināšanai un veidošanai, kā arī termosarūkošu cauruļu sildīšanai; bez tam tas ir piemērots lodēšanai, alvošanai, līmējumu mikstināšanai un ūdensvada cauruļu atkausēšanai
- Šis darbarīks nav paredzēts profesionālai lietošanai
- Izlasiet un saglabājiet šo pamācību ③

### TEHNISKIE PARAMETRI ①

### INSTRUMENTA ELEMENTI ②

- A** Ieslēgšanas/izslēgšanas slēdzis
- B** Temperatūras iestatīšanas pogas (8040)
- C** Pogas gaisa plūsmas iestatīšanai (8040)
- D** Šķidro kristālu displejs (LCD) (8040)
- E** Uzgaļa atbrīvošanas gredzens
- F** Ventilācijas atveres
- G** Stiklu aizsargājošs uzgalis
- H** Apaļās uzgalis
- J** Reflektoruzgalis
- K** Gaisa plūsmas koncentrēšanas uzgalis
- L** Gaisa izvads/uzgalis
- M** Temperatūras regulēšanas skala (8020)
- N** Poga datu uzglabāšanai atmiņā (8040)
- P** Atmiņā uzglabāto datu izvāles poga (8040)

### DROŠĪBA

#### VISPĀRĒJA INFORMĀCIJA

- **Šis instruments var lietot bērni no 8 gadu vecuma un personas ar ierobežotām fiziskajām, sensorajām vai garīgajām spējām, kā arī personas ar nepietiekošu pieredzi un zināšanām pie nosacījuma, ka darbs notiek par viņu drošību atbildīgas personas uzraudzībā vai arī šī persona sniedz norādījumus**

## par drošu apiešanos ar instrumentu un informē par briesmām, kas saistītas ar tās lietošanu (pretējā gadījumā pastāv savainošanās briesmas elektroinstrumenta nepareizas lietošanas dēļ)

- **Uzraugiet bērnus** (tas ļaus nodrošināt, lai bērni nerotaļotos ar instrumentu)
- **Bērni nedrīkst veikt instrumentu tīrīšanu un apkalpošanu bez pieaugušo uzraudzības**

### KAS JĀIEVIRO PIRMS DARBA UZSĀKŠANAS:

- Ikreiz pirms instrumenta izmantošanas pārbaudiet tā darbību un, konstatējot bojājumu, nekavējoties nododiet instrumentu remontēšanai kvalificētam speciālistam; neatveriet instrumentu patstāvīgi
- Ikreiz pirms instrumenta izmantošanas pārbaudiet tā elektrokabeļu un kontaktdakšu; konstatējot bojājumu, parūpējieties, lai bojātā elektrokabeļa nomainītu veiktu kvalificēts speciālists
- Lietojiet pilnīgi atbilstus un drošus pagarinātājkabeļus, kas paredzēti 16 A strāvai
- Nekad neizmantojiet instrumentu, ja bojāts tā vads; lai neradītu apdraudējumu, šis vads jānomaina ražotājam, tā servisa pārstāvim vai līdzvērtīgi kvalificētam personām.
- Lietojiet instrumentu un tā papildpiederumus saskaņā ar šo Pamācību un atbilstoši paredzētajam uzdevumam; neizmantojiet instrumentu darbiem, kas nav aprakstīti Lietošanas pamācībā, jo tas var radīt bīstamu situāciju
- Vienmēr pārliecinieties, ka spriegums, kas uzrādīts uz instrumenta marķējuma plāksnītes, atbilst padeves spriegumam elektrotīklā
- Pirms instrumenta pievienošanas elektrotīklam pārliecinieties, ka tā ieslēdzējs ir izslēgtā stāvoklī

### KAS JĀIEVIRO DARBA LAIKĀ:

- Darbojieties ar instrumentu uzmanīgi, nepieļaujot uzliesmošanu un izvairoties no apdegumiem
  - nepieskarieties instrumenta gaisa izplūdes atverei/uzgaliem un apstrādājamajam priekšmetam, jo tie stipri sakarst
  - neturiet instrumenta gaisa izplūdes atveri/uzgali pārāk tuvu apstrādājamā priekšmeta virsmai
  - nevērsiet karstā gaisa plūsmu pārāk ilgi uz vienu un to pašu virsmas vietu
  - nekādā gadījumā neraugieties instrumenta gaisa izplūdes atverē/uzgali
  - darba laikā uzvelciet aizsargcimdus un lietojiet aizsargbrilles
  - nevērsiet karstā gaisa plūsmu pret cilvēkiem un dzīvniekiem
  - neizmantojiet instrumentu matu žāvēšanai
  - neatstājiet instrumentu bez uzraudzības
  - nelietojiet instrumentu viegli uzliesmojošu gāzu un degošu materiālu tuvumā (**jo var izsaukt sprādzienu**)
  - apstrādājot plastmasu, krāsu, laku un citus līdzīgus materiālus, var izdalīties viegli uzliesmojošas un

indīgas gāzes, tādēļ pirms darba uzsākšanas

noskaidrojiet, kādi materiāli tiks apstrādāti

- nemiet vērā, ka karstais gaiss var sasniegt arī degošu materiālus, kas neatrodas darba darītāja tiešā tuvumā
- darba drošības nolūkos turiet tuvumā ūdens spaini vai ugunsdzēsamo aparātu gadījumam, ja apstrādājama priekšmets tomēr uzliesmo
- Sargieties no elektriskā trieciena
  - neko neievietojiet instrumenta gaisa izplūdes atverē/uzgali
  - izvairieties no saskares ar iezemētiem priekšmetiem vai virsmām (piem., caurulēm, radiatoriem, plītiem, ledusskapjiem)
  - pārliecinieties, ka instruments nav kļuvis mitrs
  - neizmantojiet instrumentu paaugstinātā mitruma apstākļos
  - ja instrumentu tiek izmantots ārpus telpām, pievienojiet to elektriskajam spriegumam izmantojot noplūdes strāvas releju - pārtraucēju, kas nostrādā, ja strāva instrumenta aizsargzemeļuma ķēdē pārsniedz 30 mA; ārpus telpām izmantojiet tikai šādai lietošanai paredzētus elektrotīkla pagarinātājkabeļus, kuri ir apgādāti ar ūdensdrošu kontakttīgzļu
- Uzmanīgi rīkojieties ar instrumenta elektrokabeļiem
  - turiet instrumenta elektrokabeļus atālumā no karstā gaisa plūsmas un instrumenta gaisa izplūdes atveres/uzgaļa
  - sargājiet elektrokabeļiem no karstuma, eļļas un asām apmalēm
  - nenesiet instrumentu aiz elektrokabeļa un neraujiet aiz tā, ja vēlaties atvienot instrumentu no elektrotīkla kontakttīgzdas
  - nepakarīniet instrumentu aiz elektrokabeļa
  - Neizmantojiet instrumentu, vienlaicīgi lietojot ķīmiskos šķīdinātājus
  - Sekojiet, lai darba zona tiktu pienācīgi vēdināta
  - Uzturiet tīrību darba vietā un nodrošiniet labu apgaismojumu
  - Nezaudējiet uzmanību; lietojot instrumentu, pievērsiet uzmanību tikai darbam un rīkojieties saskaņā ar veselo saprātu; pārtrauciet darbu, ja jūtaties noguris
  - Ieturiet stingru stāju; darba gaitā centieties ieturēt līdzsvaru un nepaslidēt, īpaši stāvot uz pārnēsājamajām kāpnēm un paaugstinājumiem
  - Pirms noliekat instrumentu, izslēdziet to
  - Elektriska vai mehāniska rakstura kļūmes gadījumā nekavējoties izslēdziet instrumentu un atvienojiet kabeļa kontaktdakšu no elektrotīkla

### KAS JĀIEVIRO PĪC DARBA PABEIGŠANAS:

- novietojiet instrumentu vertikālā stāvoklī uz aizmugurējās balstvirsmas
- Izslēdziet instrumentu un atvienojiet tā elektrokabeļa kontaktdakšu no barojošā elektrotīkla
- Pirms novietojat instrumentu uzglabāšanai, ļaujiet tam atdzist vismaz 30 minūtes
- Neuzglabājiet/neatstājiet instrumentu ārpus telpām
- Uzglabājiet instrumentu sausā, augstu izvietotā vietā, kur tas nav pieejams bērniem

### UZ INSTRUMENTA ATĒLOTO SIMBOLU SKAIDROJUMS

- ③ Pirms izstrādājuma lietošanas izlasiet tā lietošanas pamācību
- ④ Divkārtēja izolācija (nav jālieto zemējuma vads)
- ⑤ Neizmāstiet nolietoto instrumentu sadzīves atkritumu tvērtē

## DARBS

- Ieslēdzējs ar temperatūras režīmiem ⑥
  - ! **pirms instrumenta pievienošanas elektrotīklam pārbaudiet, vai ieslēdzējs A ② atrodas stāvoklī "0"**
  - lai ieslēgtu instrumentu, pārbīdīet ieslēdzēju A vajadzīgajā stāvoklī:
    - 8020**
      - I = 50°C, gaisa plūsma 350 l/min.
      - II = 450°C, gaisa plūsma 350 l/min.
      - III = 600°C, gaisa plūsma 500 l/min.
    - 8040**
      - I = 50°C + gaisa plūsma 250-500 l/min.
      - II = 50°C ... 650°C, gaisa plūsma 250-500 l/min.
  - izmantojot instrumentu pirmo reizi, no tā var izdalīties dūmi; tā ir normāla parādība, kas drīz izbeidzas
  - lai ieslēgtu instrumentu, pārbīdīet ieslēdzēju A stāvoklī "0"
- Temperatūras iestatīšana
  - ! **norādītajām temperatūrām ir pieļaujamas atkāpes 50...90 °C: maks. 90 °C mazāk par 300 °C: ±20% vairāk nekā 300 °C: ±10%**
  - 8020**
    - izmantojiet temperatūras regulēšanas skalu M, lai izvēlētos vēlamo temperatūras iestatījumu
    - izmantojiet tabulu ⑥ kā norādi
  - 8040 ⑦**
    - nospiežot pogu, ar 10°C grādu soli iestatiet B vēlamu temperatūru
    - ja poga B tiek turēta nospiesta, temperatūra nepārtraukti palielinās/samazinās līdz brīdim, kad poga atlaista vai sasniegta minimālā/maksimālā temperatūra
    - pēc temperatūras iestatīšanas displejā D tiek attēlotas mirgojošas bultas, līdz tiek sasniegta nepieciešamā temperatūra (tikai pozīcijā "II")
    - vēlamā temperatūra tiks saglabāta darbarīka atmiņā, tādējādi katru reizi, kad darbarīks tiek ieslēgts, tas uzsilst līdz pēdējai iestatītajai temperatūrai
- Gaisa plūsmas iestatīšana ⑧ (8040)
  - iestatiet vēlamo gaisa plūsmu ar soli 50 l/min, uz īsu brīdi nospiežot C pogas
  - displejā D joslas diagrammas veidā parādās faktiskais gaisa plūsmas iestatījums
- Atmiņas iestatīšana ⑨ (8040)
  - lai izvēlētos vienu no četriem saglabājamiem atmiņas iestatījumiem, nospiediet pogu P
  - lai saglabātu temperatūras un gaisa plūsmas iestatījumu, nospiediet pogu P, lai izvēlētos atmiņas vietu, iestatiet nepieciešamo temperatūru un gaisa plūsmu, nospiediet turiet pogu N, lai saglabātu iestatījumu
- Instrumenta izmantošana parastā veidā
  - lai noteiktu apstrādājamajam materiālam piemērotāko gaisa plūsmas temperatūru, izdariet mēģinājumu neuzkrītošā vietā uz priekšmeta virsmas, uzsākot apstrādi ar zemāko temperatūras iestādījumu
  - palielinoties attālumam starp instrumenta gaisa izplūdes atveri/uzgali un apstrādājamā priekšmeta virsmu, gaisa plūsmas temperatūra samazinās
  - optimālā gaisa plūsmas temperatūra ir atkarīga no apstrādājamā materiāla īpašībām
- Instrumenta izmantošana stacionārā stāvoklī ⑩
  - novietojiet instrumentu vertikālā stāvoklī uz aizmugurējās balstvirsmas

- pārliecinieties, ka virsma ir tīra un bez putekļiem, jo piesārņots gaiss var izsaukt instrumenta elektrodzinēja bojājumu
  - pārliecinieties, ka gaisa plūsma ir vērsta prom no jums
  - nostipriniet instrumenta elektrokabeli tā, lai instruments nejauši netiktu izkustināts no vietas
  - nepieskarieties instrumenta gaisa izplūdes atverei/uzgalim
  - sekojiet, lai nekas neieklātu instrumenta gaisa izplūdes atverē/uzgalī
  - izslēdzot instrumentu, ar roku uzmanīgi pieturiet to; pēc tam ļaujiet instrumentam atdzist
- Instrumenta turēšana un vadīšana ⑪
    - darba laikā turiet instrumentu ar vienu roku
    - nenosprostojiet instrumenta ventilācijas atveres F ②
  - Standarta papildpiederumi ⑫
    - uzgālis G stīkla aizsardzībai (gaisa plūsmas novirzīšanai)
    - apaļais uzgālis H (gaisa plūsmas koncentrēšanai)
    - atstarojošais uzgālis J (gaisa plūsmas atstarošanai)
    - sašaurinošais uzgālis K (gaisa plūsmas koncentrēšanai)
- PIEZĪMES:**
- visi šajā Pamācībā pieminētie praktiskie padomi (**izņemot piemēru par krāsas noņemšanu no logu rāmjiem**) ir realizējami arī bez papildpiederumiem; taču uzgāļu izmantošana atvieglo darbu un paaugstina apstrādes kvalitāti
  - šo darbarīku var arī lietot kopā ar plaši pieejamiem piederumiem, kas paredzēti karstā gaisa plūsmas ģeneratoriem
- Papildpiederumu pievienošana un noņemšana
    - lai pievienotu instrumentam uzgāli, uzvelciet to gaisa plūsmas atverei L ②
    - lai noņemtu uzgāli, pēc instrumenta atdzesēšanas novelciet to virzienā uz priekšu
- ! uzgāli drīkst pievienot tikai tad, kad instrumenta gaisa izplūdes atvere ir atdzisusi, ieslēdzējs atrodas stāvoklī "0" un elektrokabeļa kontaktdakša ir atvienota no elektrotīkla**
- izmantojiet uzgāļa atbrīvošanas gredzenu E, lai karstus uzgāļus būtu vienkāršāk noņemt ⑬
- Vienmērīga siltuma padeves režīma kontrole (aizsardzība pret pārslodzi)
    - Šī funkcija aizsargā sildelementu no bojājuma instrumenta pārslodzes gadījumā, kad instrumentu nav iespējams izslēgt un/vai atdzesēt
    - ja temperatūra pārsniedz noteiktu vērtību, sildelements pats izslēdzas, bet instrumenta elektrodzinējs turpina darboties un padot aukstā gaisa plūsmu
    - pēc temperatūras pazemināšanās (tas aizņem tikai dažas sekundes), sildelements automātiski ieslēdzas
- ! kad darbarīks ir izslēgts pēc tam, kad darbojies augstas temperatūras iestatījumā, un pēc neilga laika atkal tiek ieslēgts, var paiet ilgāks laiks, līdz sildelements sasniedz vēlamu temperatūru**

## PRAKTISKI PADOMI

- Krāsas un lakas noņemšana ⑭
  - izmantojiet šim nolūkam tīru un asu skrāpi
  - krāsas slānim kļūstot mīkstam, nokasiet to
  - lai sasniegtu optimālus darba rezultātus, karstā gaisa plūsmas iedarbības ilgumu nosakiet mēģinājumu ceļā

- mīksto krāsu nokasiet nekavējoties, lai neļautu tai atkal sacietēt
- karstā gaisa plūsma iedarbības laikā turiet instrumentu 30° līdz 40° leņķī attiecībā pret apstrādājamo virsmu
- regulāri attīriet skrāpi no krāsas paliekām un netīrumiem, lai nepieļautu to aizdegšanos
- ja iespējams, vadiet skrāpi koksnes šķiedru virzienā
- nevērsiet karstā gaisa plūsmu pārāk ilgi uz vienu un to pašu virsmas vietu
- noņemto krāsu savāciet un uzglabājiet drošā vietā
- pēc darba pabeigšanas rūpīgi attīriet darba vietu
- ! **rikojieties uzmanīgi, noņemot krāsas slāņus vecās ēkās, jo agrāk krāsas nereti saturēja svīnu, kas ir īpaši indīga viela**

! **svina savienojumi pat ļoti nelielās devās var izraisīt nopietnus smadzeņu un nervu sistēmas bojājumus; īpaši kaitīgu iedarbību svins atstāj uz maziem un vēl nedzimušiem bērniem**

! **svīnu saturošas krāsas drīkst noņemt tikai speciālists, neizmantojot šim nolūkam karstā gaisa plūsmas ģeneratoru**

CITS LIETOŠANAS PIEMĪRS:

- ★ (sintētiskā) sienu pārklājuma noņemšana
- Krāsas un lakas noņemšana logu stikla tuvumā <sup>14</sup>
  - vienmēr izmantojiet stiklu aizsargājošs uzgali G, kas paredzēts stikla aizsardzībai
  - krāsas noņemšanai izmantojiet rokas skrāpi
- ! **neizmantojiet instrumentu krāsas noņemšanai no metāla logu rāmjiem, jo metāls ļoti ātri oksidējas, kā rezultātā var rasties stikla bojājumi**
- Uzlīmju noņemšana (izmantojiet apaļo uzgali H) <sup>15</sup>
  - daudzas līmvielas karstuma iedarbībā kļūst mīkstas, kas ļauj salīmētās virsmas viegli atdalīt, kā arī noņemt lieko līmvielas daudzumu
- ! **karsējiet uzlīmi no ārpuses**
- ! **sekojiet, lai pamatvirsmā netiktu pārlicieku sakarsēta**

CITI LIETOŠANAS PIEMĪRI:

- ★ līnoleja un vinila grīdas pārklājuma noņemšana
- ★ sintētiskās šķiedras paklāja filžu noņemšana
- ★ apdares slāņa noņemšana/apdares joslu uzklāšana
- ★ darvas, alvas, bitumena un vaska mīkstināšana/izkausēšana (izmantojiet apaļo uzgali H)
- ★ vaskošana (slēpju, mēbeļu) (izmantojiet stiklu aizsargājošs uzgali G) <sup>16</sup>
- ★ sveķu noņemšana
- ★ ierūsējušu vai pārāk stingri pievilktu skrūvju, uzgriezņu un bulskrūvju atslābināšana
- ★ sveķu vaska noņemšana (**pārlicieku nesakarsējiet virsmu zem sveķu vaska**)
- ★ salūzusu vai saliektu vaska oriģinālās formas atjaunošana
- Uzsēdināšana karsējot <sup>17</sup>
  - izmantojiet atstarojošo uzgali J vai sašaurinošo uzgali K
  - izvēlieties tādu termosarūkošu cauruli, kuras diametrs atbilst apstrādājamās sagataves diametram
  - vienmērīgi uzkarsējiet termosarūkošu cauruli

CITS LIETOŠANAS PIEMĪRS:

- ★ iesaiņošana, izmantojot termosarūkošu materiālu
- Ūdensvada cauruļu lodēšana <sup>18</sup>

Šis instruments ir piemērots lodēšanai ar mīkstajiem

lodmateriāliem (kuru kušanas temperatūra ir zemāka par 400°)

- izmantojiet atstarojošo uzgali J
- pirms salodēšanas rūpīgi attīriet abas savienojamās sekcijas
- vispirms sakarsējiet abas savienojamās sekcijas un tikai tad tuviniet tām lodmateriāla stiepli (**neizmantojiet svīnu saturošu lodmateriāla stiepli**)
- Ūdensvada cauruļu atkausēšana <sup>19</sup>
  - izmantojiet atstarojošo uzgali J
  - vienmērīgi karsējiet izsalušu caurules posmu
  - ! **ūdensvada caurules nereti ir grūti atšķirt no gāzes caurulēm; atcerieties, ka gāzes pievadcauruļu karsēšana ir ļoti bīstama, jo var izsaukt sprādzienu**

CITI LIETOŠANAS PIEMĪRI:

- ★ ūdensvadas cauruļu, kas izgatavotas no polivinilhlorīda (PVC) atkausēšana (**stāvoklī II, maks. 60°C**)
- ★ aizsalušu automašīnas slēdzeņu atkausēšana (**stāvoklī II, maks. 60°C**) (izmantojiet sašaurinošo uzgali J)
- ★ saldētājierīču atkausēšana (**uzmanieties, lai nesabojātu to plastmasas korpusu**)
- ★ pakāpienu un ietvju atbrīvošana no apledojuma
- Plastmasas cauruļu formas veidošana
  - izmantojiet atstarojošo uzgali J
  - lai caurule karsēšanas laikā nesamezglotos, piepildiet to ar smiltīm un noslēdziet abus tās galus
  - vienmērīgi sakarsējiet cauruli, pārvietojot to gareniskā virzienā

CITI LIETOŠANAS PIEMĪRI:

- ★ plastmasu veidošana ar zemu kušanas temperatūru (polietilēns, PVC utt.)
- ★ plastmasu veidošana ar augstu kušanas temperatūru (akrilstikls, organiskais stikls utt.)
- ★ sintētiskās šķiedras paklāja filžu formas veidošana
- ★ koka priekšmetu formas veidošana un liekšana (modelēšana)
- Plastmasu metināšana
  - metināšanas šuvei jābūt tīrai un brīvai no smērvielām
  - turiet metināšanas stieni šuves tuvumā un sildiet to, līdz stienis kļūst mīksts
  - pēc metināšanas šuves piepildīšanas pārtrauciet karstā gaisa pievadīšanu

CITI LIETOŠANAS PIEMĪRI:

- ★ sērfringa dēļu, slēpju un cita no sintētiska materiāla izgatavota sporta inventāra remontēšana (izmantojiet apaļo uzgali H)
- ★ polivinilhlorīda (PVC) priekšmetu metināšana
- ★ polivinilhlorīda uzlīmju nogrudināšana pēc uzlīmēšanas
- ★ dārza laistāmo šļūteņu savienošana (izmantojiet atstarojošo uzgali J)
- Žāvēšana
  - ! **veicot žāvēšanu, iestādiet zemāko vai vidējo gaisa plūsmas temperatūru (ieslēdzējam jāatrodas stāvoklī I vai II), kā arī ieturiet pietiekoši lielu atātlumu starp instrumenta uzgali un apstrādājamo priekšmetu**
  - krāsas, lakas, ģipša, javas un apmetuma žāvēšana
  - mitras koksnes žāvēšana pirms pildvielas iekļāšanas
  - bieža pildvielas slāņa vai līmvielas paātrināta žāvēšana
  - celtniecības šuvju žāvēšana pirms to izolācijas vai hermetizācijas
  - savienojumu vietu vai plaisu žāvēšana kuģu būvniecībā

- Tirišana un dezinfekcija
  - trušu būru, baložu būdu utt. dezinfekcija (**vispirms obligāti iznemiet nu turienes dzīvniekus vai putnus**)
  - skudurų kolonijų iznīcināšana
  - koksnes kaitēkļu iznīcināšana (**turiet instrumentu drošā attālumā no koka virsmas**)
  - nezaļu likvidēšana

## APKALPOŠANA / APKOPE

- Šis darbarīks nav paredzēts profesionālai lietošanai
- Neizmantojiet viegli uzliesmojošus šķidrums karstā gaisa plūsmas ģenerators tīrīšanai un jo īpaši gaisa plūsmas atveres/uzgaļa tīrīšanai
- Uzturiet tīru instrumentu un elektrokabeli (īpaši ventilācijas atveres F ②)
- Ja, neraugoties uz augsto izgatavošanas kvalitāti un rūpīgo pēcražošanas pārbaudi, instruments tomēr sabojājas, tas jānogādā remontam firmas SKIL pilnvarotā elektroinstrumentu remonta darbnīcā
  - nogādājiet instrumentu **neizjauktā veidā** kopā ar iegādātajiem dokumentiem tuvākajā tirdzniecības vietā vai firmas SKIL pilnvarotā piegādēs apkalpošanas un remonta iestādē (adreses un instrumenta apkalpošanas shēma ir sniegta interneta vietnē [www.skil.com](http://www.skil.com))
- Ievērojiet, ka garantijā neietilpst pārslodzes vai nepareizas instrumenta ekspluatācijas izraisītie bojājumi (SKIL garantijas noteikumus skatiet [www.skil.com](http://www.skil.com) vai vērsieties pie izplatītāja)

## APKĀRTĒJĀS VIDES AIZSARDZĪBA

- **Neizmetiet elektroiekārtas, piederumus un iesaiņojuma materiālus sadzīves atkritumos** (tikai ES valstīm)
  - saskaņā ar Eiropas Savienības direktīvu 2012/19/ES par nolietotajām elektriskajām un elektroniskajām iekārtām un tās atspoguļojumiem nacionālajā likumdošanā, nolietotās elektroiekārtas ir jāsavāc, jāizjauc un jānogādā atbilstoši pārstrādei apkārtējai videi nekaitīgā veidā
  - īpašs simbols ⑤ atgādina par nepieciešamību izstrādājumus izmantot videi nekaitīgā veidā

LT

## Techninis fenas 8020/8040 ĪVADAS

- Šis prietaiss skirtas šalinti dažāms, formuoti ir svirinti plastmasēs, kaitinti šilumos poveikyje susitraukiančius izoliacinius vamzdelius; taip pat juo galima liuoti, alavuoti, išskirti klijuotinius sujungimus, atitirpinti užšalusius vandens vamzdius
- Šis įrankis neskirtas profesionaliam naudojimui
- Perskaitykite ir išsaugokite šią naudojimo instrukciją ③

## TECHNINIAI DUOMENYS ①

## PRIETAISO ELEMENTAI ②

- A Ijungimo/išjungimo jungiklis
- B Temperatūros nustatymo mygtukai (8040)

- C Oro srauto nustatymo mygtukai (8040)
- D Skystųjų kristalų displejus (LCD) (8040)
- E Tūtos atidarymo žiedas
- F Ventilacinės angos
- G Apsauginė stiklo tūta
- H Apvalus tūta
- J Refleksinė tūta
- K Redukcinė tūta
- L Oro išėjimo anga / tūta
- M Skalės ratukas (8020)
- N Mygtukas atminčiai saugoti (8040)
- P Mygtukas atminčiai pasirinkti (8040)

## SAUGA

### BENDROJI DALIS

- **Šį prietaisą gali naudoti 8 metų ir vyresni vaikai bei asmenys su fizinėmis, jutiminėmis ir dvasinėmis negaliomis arba asmenys, kuriems trūksta patirties ar žinių, jei juos prižiūri ir už jų saugumą atsako atsakingas asmuo arba jie buvo instruktuoti, kaip saugiai naudoti prietaisą ir žino apie gresiančius pavojus** (priešingu atveju įrankis gali būti valdomas netinkamai ir kyla sužeidimų pavojus)
- **Prižiūrėkite vaikus** (taip bus užtikrinama, kad vaikai su prietaisu nežaistų)
- **Vaikams draudžiama valyti ir atlikti jo techninę priežiūrą, jei neprižiūri atsakingas suaugęs asmuo**

### PRIEŠ NAUDOJIMĄ:

- Kiekvieną kartą prieš pradėdami dirbti su prietaisu patikrinkite, ar jis tinkamai veikia ir, pastebėję gedimą, nedelsdami kreipkitės į specialistą; patys neardykite prietaiso
- Kiekvieną kartą prieš pradėdami dirbti su prietaisu patikrinkite jo maitinimo kabelį ir kištuką; aptikę gedimą nedelsdami kreipkitės į specialistą, kad jis pakeistų sugedusias dalis
- Naudodami ilginamuosius kabelius atkreipkite dėmesį į tai, kad kabelis būtų iki galo išvyniotas ir būtų pritaikytas 16 A elektros srovei
- Nenaudokite įrankio, jei laidas pažeistas; jį turi pakeisti gamintojas, jo priežiūros meistras arba panašiai kvalifikuotas asmuo, kad būtų išvengta pavojaus.
- Prietaisą ir papildomą įrangą naudokite tik tiems darbam ir tik tokiu būdu, kaip yra aprašyta eksploatacijoje

instrukcijoje; mėginti šiuo prietaisu atlikti instrukcijoje nenumatytus darbus gali būti pavojinga

- Visada patikrinkite, ar elektros tinklo įtampa sutampa su įtampos dydžiu, nurodytu prietaiso vardinėje lentelėje
- Prieš kišdami kištuką į elektros lizdą įsitikinkite, kad prietaisas yra išjungtas

#### NAUDOJIMO METU:

- Su prietaisu dirbkite labai atidžiai; saugokitės užsiliepsnojimo ir nudegimų
  - nelieskite oro išėjimo angos/tūtos ir įkaitinto objekto; jie labai karšti
  - nelaikykite oro išėjimo angos/tūtos per daug arti apdirbamo objekto
  - nelaikykite karšto oro srovės per ilgai nukreipę į tą patį apdirbamą paviršių
  - niekada nežiūrėkite į oro išėjimo angą/tūtą
  - mėvėkite apsaugines pirštines ir naudokite apsauginius akinius
  - niekada nenukreipkite karšto oro srovės į žmones ar gyvūnus
  - jokių būdu nenaudokite prietaiso plaukų džiovinimui
  - niekuomet nepalikite prietaiso be priežiūros
  - nedirbkite su prietaisu netoli lengvai užsiliepsnojančių dujų ar degių medžiagų (**sprogimo pavojus**)
  - apdirbant plastiką, dažus, lakuotus paviršius ir panašias medžiagas gali susidaryti nuodingos dujos; prieš pradėdami apdirbti medžiagą išsiaiškinkite, kokios yra jos savybės
  - turėkite omenyje, kad karštis gali būti perduotas degioms medžiagoms, kurių jūs tiesiogiai darbo zonoje nematote
  - saugumo sumetimais pasiruoškite kibirą vandens ar gesintuvą, jei kartais kokia nors medžiaga užsiliepsnotų
- Saugokitės elektros srovės smūgio
  - niekada nieko neikiškite į oro išėjimo angą/tūtą
  - neprilieskite prie įžemintų paviršių (pvz., prie vamzdžių, šildytuvų, viryklių, šaldytuvų)
  - neleiskite prietaisui sudrėkti
  - nenaudokite prietaiso drėgnoje aplinkoje
  - jei su prietaisu dirbate lauke, jis turi būti prijungtas per nuotekio srovės apsauginį išjungiklį (FI-), kurio suveikimo srovė yra ne didesnė, kaip 30 mA; naudokite tik lauko darbams skirtus prailginimo kabelius su hermetiškomis jungtimis
- Atsargiai elkitės su laidu
  - laidas turi būti kuo toliau nuo karšto oro srovės ir oro išėjimo angos/tūtos
  - laidą klokite taip, kad jo neveiktų karštis, jis neišsitemptų alyva ir jo nepažeistų aštrios detalės
  - neneškite prietaiso paėmę už kabelio, norėdami išjungti prietaisą netraukite kabelio iš elektros tinklo lizdo
  - nekabinkite prietaiso žemyn už kabelio
- Jokių būdu nenaudokite prietaiso kartu su cheminiais tirpikliais
- Yra būtina, kad patalpa, kurioje dirbate, būtų pakankamai vėdinama
- Darbo vieta turi būti švari ir gerai apšviesta
- Dirbdami su prietaisu nuolat būkite budrūs, susikoncentravę į tai, ką veikiate; darbe vadovaukitės sveiku protu ir nedirbkite su prietaisu, jei esate pavargę
- Dirbdami atsistokite patikimai; venkite nenormalių kūno padėčių, ypač jei stovite ant kopėčių ar pakylės
- Prieš padėdami prietaisą įsitikinkite, kad jį išjungėte
- Atsiradus mechaninio ar elektrinio pobūdžio trūkđiams,

tuojau pat išjunkite prietaisą ir ištraukite kištuką iš elektros tinklo lizdo

#### PO NAUDOJIMO:

- pastatykite prietaisą ant jo užpakalinės dalies vertikaliai
- Išjunkite prietaisą ir ištraukite kištuką iš lizdo
- Prieš padėdami prietaisą leiskite jam atvėsti bent 30 minučių
- Nelaikykite/nepalikite prietaisą lauke
- Laikykite prietaisą sausoje ir rakinamoje, vaikams neprieinamoje vietoje

#### ANT PRIETAISO ESANČIŲ SIMBOLIŲ REIKŠMĖS

- ③ Prieš naudodami įrankį perskaitykite instrukcijų vadovą
- ④ Dviguba izoliacija (įžeminimo laido nereikia)
- ⑤ Nemeskite prietaisas į buitinių atliekų konteinerius

#### NAUDOJIMAS

- Įjungimo ir išjungimo jungiklis su temperatūros režimais ⑥
  - ! prieš jungdami prietaisą į elektros tinklą patikrinkite, ar jungiklis A ② ra padėtyje "0"
  - įjunkite prietaisą, perstumdami jungiklį A į pageidaujama padėtį:  
**8020**  
I = 50°C, oro srovė 350 l/min.  
II = 450°C, oro srovė 350 l/min.  
III = 600°C, oro srovė 500 l/min.  
**8040**  
I = 50°C + oro srovė 250-500 l/min.  
II = 50°C ... 650°C, oro srovė 250-500 l/min.
  - pirmą kartą įjungus prietaisą, jis gali pradėti truputį rūkti; tai yra normalu ir turi netrukus nustoti
  - perstumę jungiklį A į padėtį "0", prietaisą išjungsitė
- Temperatūros nustatymas
  - ! taikomas nurodytų temperatūrų leistinas nuokrypis  
**50...90 °C: daugiausia 90 °C  
mažiau negu 300 °C: ±20 %  
daugiau negu 300 °C: ±10 %**
  - 8020**
    - norėdami pasirinkti norimos temperatūros nustatymą, naudokite skalės ratuką M
    - naudokite lentelę ⑥ kaip nuorodą
  - 8040** ⑦
    - nustatykite norimą temperatūrą etapais po 10°C, trumpai spusteldami B mygtukus
    - spaudžiami mygtukai B palaipsniui didina/mažina norimą temperatūrą tol, kol mygtukai nespaudžiami arba pasiekiamą didžiausia/mažiausia temperatūra
    - nustaciaus tikslinę temperatūrą, ekrane D rodomos mirksinčios rodyklės, kol pasiekiamą norimą temperatūrą (tik „II“ padėtyje)
    - reikiama temperatūra išsaugoma prietaiso atmintyje, kad kas sykį įjungus prietaisas įkaistų iki paskutinės parinktos norimos temperatūros
- Oro srauto nustatymas ⑧ (8040)
  - trumpai spustelėdami mygtukus C nustatykite reikiama oro srautą 50 l/min. intervalu
  - ekrane D histogramos pavidalu rodomas nustatytas oro srautas
- Atminties nustatymas ⑨ (8040)
  - norėdami pasirinkti vieną iš keturių saugomos atminties nustatymų, paspauskite mygtuką P
  - norėdami išsaugoti temperatūros ir oro srauto nustatymą, paspauskite mygtuką P, kad pasirinktumėte

- atminties vietą, nustatytumėte norimą temperatūrą ir oro srautą, o, norėdami išsaugoti nustatymą, paspauskite ir palaikykite nuspaudę N mygtuką.
- Bendo pobūdžio naudojimas
    - nustatykite tinkamą temperatūrą, išbandydami prietaiso veikimą mažiau matomoje ruošinio vietoje; pradėkite dirbti nustatę žemesnę temperatūrą
    - didinant atstumą tarp oro išėjimo angos/tūtos ir ruošinio temperatūra krinta
    - reikalinga temperatūra priklauso nuo apdirbamo ruošinio
  - Stacionarus naudojimas ⑩
    - pastatykite prietaisą ant jo užpakalinės dalies vertikaliai
    - įsitinkinkite, kad pagrindo, ant kurio stovi techninis fenas, paviršius yra sausas ir švarus; užterštas oras gadina variklį
    - įsitinkinkite, kad oro srovė nukreipta į šalį nuo Jūsų
    - įtvirtinkite kabelį, kad netyčia už jo užkliuvę, nenuverstumėte prietaiso
    - nelieskite oro išėjimo angos/tūtos
    - įsitinkinkite, kad niekas nepateks į oro išėjimo angą/tūtą
    - viena ranka atsargiai laikydami prietaisą, kita jį išjunkite ir leiskite jam atvėsti
  - Prietaiso laikymas ir valdymas ⑪
    - prietaisą laikykite viena ranka
    - ventiliacines angas F ② laikykite neuždengtas
  - Standartinė papildoma įranga ②
    - stiklą apsauganti tūta G (oro srovės nukreipimui)
    - apvalioji tūta H (oro srovei nukreipti)
    - reflekinė tūta J (oro srovės nukreipimui)
    - redukcinė tūta K (oro srovės nukreipimui)
- PASTABOS:**
- prietaisą galima naudoti ir be papildomos įrangos (**išskyrus dažų šalinimo nuo langų atveju**) tačiau tinkami papildomi antgaliai palengvina darbą, ir jo rezultatai būna geresni
  - šis prietaisas gali būti naudojamas kartu su visiems pasiekiamais aksesuarų techniniams fenams
- Papildomos įrangos montavimas ir nuėmimas
    - papildomą antgalį sumontuokite ant oro išėjimo angos L ②
    - papildomą antgalį galima nuimti, kuomet jis atvėsęs, tiesiog nutraukiant jį į priekį
- ! papildomus antgalius montuokite tik tuomet, kai oro išėjimo anga ra atvėsusi, jungiklis yra padėtyje "0" ir elektros laido kištukas yra ištrauktas iš tinklo rozetės**
- naudokitės tūtos atidarymo žiedu E paprastam įkaitusių tūtų nuėmimui ⑫
- Apsauga nuo perkrovos (nuolatinė temperatūros kontrolė)
    - Apsaugo kaitinimo elementą nuo perkaitimo, kuomet prietaisas dirba su pernelyg daug didele apkrova; prietaisas tuo metu neišsijungia ir nereikia, laukti, kol jis atvės
    - jei temperatūra yra per aukšta, kaitinimo elementas pats išsijungia, o variklis veikia toliau ir tiekia šaltą orą
    - kai temperatūra pakankamai nukrinta (tai paprastai užtrunka tik apie porą sekundžių), kaitinimo elementas vėl savaime įsijungia
- ! baigus darbą aukšta temperatūra ir po trumpos pertraukos vėl įjungus prietaisą gali praeiti šiek tiek laiko, kol kaitinimo elementas įkails iki reikiamos temperatūros**

## NAUDOJIMO PATARIMAI

- Dažų/lako pašalinimas ⑬
    - naudokite švarų, aštrų grandiklį
    - kai dažai nuo karščio suminkštėja, juos nugremžkite
    - paeksperimentuokite ir išsiaiškinkite, kaip ilgai reikia kaitinti, norint pasiekti optimalius rezultatus
    - suminkštėjusius dažus iš karto nugremžkite, priešingu atveju jie vėl sukietės;
    - prietaisą laikykite nukreipę į ruošinį 30° – 40° kampu
    - iš karto pašalinkite nuo grandiklio dažų liekanas ir purvą, nes jie gali užsidedti
    - esant galimybei greičiau išilgai medienos tekstūros
    - nelaikykite karšto oro srovės per ilgai nukreipę į tą patį apdirbamą paviršių
    - visas dažų atliekas sunaikinkite laikydamiesi gamtosaugos reikalavimų
    - baigę dirbti, išvalykite darbo vietą
- ! šalinami dažus senuose pastatuose būkite atsargūs: gali būti, kad šis pastatas dažytas švino turinčiais dažais, kaip tai buvo įprasta seniau, o tokie dažai yra labai nuodingi**
- ! net nedidelis švino išsiskyrimas gali paveikti smegenis ir nervų sistemą; ypač jis kenkia mažiems vaikams ir dar motinų įsčiose neįjojamiems kūdikiams**
- ! švino turinčius dažus turi pašalinti specialistas, nenaudodamas techninio feno**
- KITAS PANAUDOJIMO PAVYZDYS:**
- ★ (sintetinių) sieninių iškabų šalinimas
- Dažų ar lako šalinimas nuo langų ⑭
    - dirbdami netoli stiklo **visada** naudokite apsauginę stiklo tūtą G
    - dažus šalinkite rankiniu grandikliu
- ! nenaudokite prietaiso dažų šalinimui nuo metalinių langų rėmų; metalas yra šilumos laidininkas, todėl gali įskilti stiklas**
- Lipdukų pašalinimas (naudokite apvalą tūtą H) ⑮
    - daugelis klijų rūšių veikiant šilumai minkštėja, todėl juos galima po to pašalinti
- ! kaitinkite viršutinį lipduko sluoksnį**
- ! nuolat tikrinkite, kad apačioje esantis paviršius neperkaistų**
- KITI PANAUDOJIMO PAVYZDŽIAI:**
- ★ linoleumo ir vinilo grindų dangos pašalinimas
  - ★ sintetinės kiliminės dangos pašalinimas
  - ★ faneruotės pašalinimas ir faneruotės juostelių klįjavimas
  - ★ dervos, alavo, bitumo, vaško minkštinimas ir tirpinimas (naudokite apvalą tūtą H)
  - ★ (slidžių, baldų) vaškovimas (naudokite apsauginę stiklo tūtą G) ⑯
  - ★ sakų šalinimas
  - ★ surūdijusių ar per daug tvirtai priveržtų metalinių varžtų, veržlių ir pirštų atlaisvinimas
  - ★ žvakių vaško pašalinimas (**neperkaitinkite apačioje esančio paviršiaus**)
  - ★ sulūžusių žvakių taisyimas, sulinkusių žvakių pradinės formos atstatymas
- Aptraukimas šilumos poveikyje susitraukiančiu apvalkalu ⑰
    - naudokite reflekinę tūtą J arba redukcinę tūtą K
    - pasirinkite ruošinio diametrą atitinkantį susitraukiantį vamzdelį
    - tolygiai įkaitinkite susitraukiantį vamzdelį

## KITAS PANAUDOJIMO PAVYZDYDS:

- ★ pakavimas (pakuotės apraukimas plėvele)
- Vandentiekio vamzdžių litavimas (8)
  - Prietaisas geriausiai tinka dirbti su minkštu lydmetaliu (lydymosi taškas – žemiau nei 400°)
  - naudokite reflekcinę tūtą J
  - prieš lituodami abi dalis kruopščiai nuvalykite
  - prieš lituodami pašildykite abi nupjautas dalis ir uždėkite litavimo vielą (**ne naudokite litavimo vielos su švinu**)
- Užšalusių vandens vamzdžių atšildymas (9)
  - naudokite reflekcinę tūtą J
  - tolygiai atšildykite užšalusį plotą
  - ! **vandentiekio vamzdžius dažnai sunku atskirti nuo dujų vamzdžių; kaitinti dujų vamzdžius yra nepaprastai pavojinga – jie gali sprogti**
- KITI PANAUDOJIMO PAVYZDŽIAI:
  - ★ vandentiekinių vamzdžių iš polivinilo chlorido (PVC) atitirpinimas (**padėtis II, maks. 60°C**)
  - ★ užšalusių automobilių spynelių atitirpinimas (**padėtis II, maks. 60°C**) (naudokite redukcinę tūtą )
  - ★ žemos temperatūros šaldiklių atitirpinimas (**nesugadinkite plastikinio korpuso**)
  - ★ apledėjusių laiptų ir šaligatvių atitirpinimas
- Plastikinių vamzdžių formavimas
  - naudokite reflekcinę tūtą J
  - pripildykite vamzdį smėliu ir uždarykite abu jo galus, taip išvengsite vamzdžio susilankstymo
  - sukiodami tolygiai sušildykite vamzdį
- KITI PANAUDOJIMO PAVYZDŽIAI:
  - ★ plastikų su žemu lydymosi tašku (polietilenas, PVC ir t.t.) formavimas
  - ★ dirbtinių medžiagų su aukštu lydymosi tašku (akrilo stiklas, organinis stiklas ir t.t.) formavimas
  - ★ dirbtinio pluošto kiliminės dangos formavimas ir lankstymas
  - ★ medžio formavimas ir lankstymas (modelių gamyba)
- Plastiko suvirinimas
  - suvirinimo siūlė turi būti švari ir neriebaluota
  - suvirinimo vielą laikykite arti suvirinimo siūlės ir kaitinkite, kol viela pasidarys lipni
  - nustokite kaitinti, kai suvirinimo siūlė bus užpildyta
- KITI PANAUDOJIMO PAVYZDŽIAI:
  - ★ banglenčių, slidžių ir kito plastikinio sporto inventoriaus taisymas (naudokite apvalą tūtą H)
  - ★ medžiagų iš PVC suvirinimas
  - ★ pūslių, susidariusių užklijavus etiketes iš PVC, lyginimas
  - ★ sodo laistymo žarnų prijungimas (naudokite reflekcinę tūtą J)
- Džiovinimas
  - ! **džiovinkite tik nustatę žemą temperatūrą (padėtis I arba II) ir laikydami prietaisą toli nuo ruošinio**
  - dažų, lako, gipso, skiedinio ir tinko džiovinimas
  - šlapio medžio džiovinimas prieš užpildymą
  - greitas storu sluoksniu užtepto užpildo ar klijų džiovinimas
  - statybinį sandūrų džiovinimas prieš purškiant izoliacines ar sandarinančias medžiagas
  - sandūrų ir plyšių džiovinimas gaminant valtis
- Valymas ir dezinfekcija
  - triušių, balandžių narvelių ir pan. dezinfekcija (**pirmiausia išimkite savo naminį gyvūną**)
  - skruzdžių kolonijų naikinimas

- kinivarpų ir skaptukų naikinimas (**laikykite prietaisą toli nuo medžio**)
- piktžolių naikinimas

## PRIEŽIŪRA / SERVISAS

- Šis įrankis neskirtas profesionaliam naudojimui
- Iš pagrindų valydami techninį feną ir ypač oro išėjimo angą/tūtą nenaudokite degių skysčių
- Periodiškai valykite prietaisą ir kabelį (ypač ventiliacines angas F (2))
- Jeigu prietaisas, nepaisant gamykloje atliekamo kruopštaus gamybos ir kontrolės proceso, vis dėlto sugestų, jo remontas turi būti atliekamas įgaliotose SKIL elektrinių įrankių remonto dirbtuvėse
  - **neišardyta** prietaisą kartu su pirkimo čekiu siųskite tiekėjui arba į artimiausią SKIL firmos įgaliotą elektros prietaisų techninio aptarnavimo tarnybą (adresus bei atsarginių dalių brėžinius rasite [www.skil.com](http://www.skil.com))
- Nepamirškite, kad įrankio sugedus dėl perkrovos arba netinkamo naudojimo, garantija netaikoma (SKIL garantijos sąlygų ieškokite [www.skil.com](http://www.skil.com) arba teiraukitės pardavėjo)

## APLINKOSAUGA

- **Nemeskite elektrinių įrankių, papildomos įrangos ir pakuotės į buitinių atliekų kontenerius** (galioja tik ES valstybėms)
  - pagal ES Direktyvą 2012/19/EG dėl naudotų elektrinių ir elektroninių prietaisų atliekų utilizavimo ir pagal vietinius valstybės įstatymus atitarnavę elektriniai įrankiai turi būti surenkami atskirai ir gabunami į antrinių žaliavų tvarkymo vietas, kur jie turi būti sunaikinami ar perdirbami aplinkai nekenksmingu būdu
  - apie tai primins simbolis (3), kai reikės išmesti atitarnavusį prietaisą

MK

## Пиштол на топлина

8020/8040

## УПАТСТВО

- Овој алат енаменет за отстранување боја, обликување и лепење пластика и за загревање цевки за собирање; алатот исто така е користен за лемене и калаисување, попуштање на одхезивни spojnici и одмрзување цевки за вода
- Овој алат не е наменет за професионална употреба
- Внимателно прочитајте го и зачувајте го ова упатство за ракување (3)

## ТЕХНИЧКИ ПОДАТОЦИ (1)

## ЕЛЕМЕНТИ НА АЛАТОТ (2)

- A** Прекинувач за вклучување/исклучување
- B** Копчиња за подесување на температурата (8040)
- C** Копчиња за подесување на млазот воздух (8040)
- D** Дисплеј (LSD) (8040)
- E** Прстен за вадење на млазникот
- F** Отвори за вентилација
- G** Заштитен млазник за стакло
- H** Тркалезен млазник



- J Рефлектирачки млазник
- K Редукционен млазник
- L Отвор за воздух/млазник
- M Тркало за бирање (8020)
- N Копче за складирање меморија (8040)
- P Копче за избор на меморија (8040)

## БЕЗБЕДНОСТ

### општи

- **Овој алат може да го користат деца над 8 години како и лица со намалени физички, сензорни и ментални способности или недоволно искуство и знаење, доколку се под надзор од лица одговорни за нивната безбедност или се подучени за безбедно ракување со алатот и ги разбираат опасностите кои може да произлезат поради тоа (инаку постои опасност од погрешна употреба и повреди)**
- **Не ги оставајте децата без надзор (така ќе се осигурате дека децата нема да си играат со алатот)**
- **Не ги оставајте децата без надзор за време на чистењето или одржувањето на алатот**

### ПРЕД УПОТРЕБА:

- Пред секоја употреба проверете го функционирањето на алатот и во случај на неисправност однесете го на поправка кај стручно лице; никогаш сами не отварајте го алатот
- Проверете ги кабелот и приклучокот пред секоја употреба и во случај на оштетувања, однесете го кај квалификувано лице да ги замени
- Продолжителен кабел кој го користите, мора да биде сосема одмотан и безбеден, со капацитет од 16 А
- Никогаш не користете го алатот кога кабелот е оштетен; мора да биде заменет од страна на производителот, неговиот агент за услуги или слично квалификувани лица со цел да се избегне опасност.
- Користете ги алатот и дополнителната опрема согласно со ова упатство и на начин соодветен за алатот; употребата на алатот за работи коишто се поинакви од оние што вообичаено се работат со овој алат може да доведе до ризична состојба
- Секогаш проверувајте напонот да е ист со оној кој е назначен на плочката на алатот

- Проверете дали алатот е исклучен кога го приклучувате во приклучокот

### ВО ТЕНОТ НА УПОТРЕБАТА:

- Внимателно ракувајте со алатот; спречете пожар и изгоретини
  - не допирајте го отворот/млазникот за воздух и загреаниот предмет; стануваат многу топли
  - не доближувајте го премногу отворот/млазникот до предметот врз кој работите
  - не насочувајте го млазот со топол воздух предолго на иста површина
  - не гледајте никогаш во отворот/млазникот за воздух
  - носете заштитни ракавици и заштитни очила
  - не насочувајте го млазот на топол воздух кон други лица или животни
  - не користете го алатот за сушење коса
  - не оставајте го алатот без контрола
  - не користете го алатот во близина на запалливи гасови или запалливи материјали (**постои ризик од експлозија**)
  - кога работите со пластика, бои, лакови или слични материји, може да дојде до создавање запалливи и отровни гасови; информирајте се претходно за материјалите со кои ќе работите
  - имајте предвид и дека топлината може да се прошири и до запалливите материји што се наоѓаат надвор од вашиот дом
  - од безбедносни причини, секогаш покрај себе држете кофа со вода или апарат за гаснење пожар во случај некоја од материите да се запали
- Спречете струен удар
  - никогаш ништо не внесувајте во отворот/млазникот за воздух
  - избегнувајте контакт на телото со заземјени површини (на пр. цевки, шпорети, синџири, ладилници)
  - осигурајте се алатот да не се навлажни
  - не го користете алатот во влажни места
  - кога го користите на отворено, поврзете го алатот преку осигурувач за струја (FI) за погрешно напојување во струја за прекинување со максимум 30 mA и користете продолжен кабел којшто е наменет за употреба на отворено и опремен со водоотпорен приклучок
- Ракувајте внимателно со кабелот
  - кабелот секогаш мора да биде одалечен од млазот на топол воздух и од отворот/млазникот за воздух
  - држете го кабелот понастрана од топлина, масло и остри рабови
  - не го носете алатот држејќи го за кабелот и не го тргајте за да го исклучите од приклучокот
  - не го закачувајте алатот за кабелот
  - Алатот никогаш не го користете во комбинација со хемиски растворувачи
- Работниот простор мора соодветно да биде проветрен
- Одржувајте го работниот простор чист и добри осветлен
- Бидете внимателни; водете сметка за тоа што работите, бидете разумни и не ракувајте со алтот доколку сте уморни
- Заземете безбедно растојание; не се истегајте, особено на скали или постоља

- Проверете дали алатот е исклучен пред да го оставите
- Во случај да дојде до електричен или механички дефект, веднаш исклучете го алатот и исклучете го од приклучокот

#### ПО УПОТРЕБА:

- поставете го алатот на задната страна во исправна положба
- Исклучете го алатот и извлекете го од приклучокот
- Оставете го алатот најмалку 30 минути да се олади пред да го вратите на место
- Никогаш не чувајте го/оставајте алатот надвор
- Чувајте го алатот на суво и заклучено место, надвор од дофатот на деца

#### ОБЈАСНУВАЊЕ ЗА СИМБОЛИТЕ ЗА АЛАТОТ

- ③ Пред употреба прочитајте го прирачникот за употреба
- ④ Двојна изолација (не е потребна заземна жица)
- ⑤ Не фрлајте го алатот заедно со другиот отпад од домаќинството

### УПОТРЕБА

- Прекинувач за вклучување/исклучување со подесувања за температура ⑥
- ! **проверете дали е прекинувачот А ② во позиција "0" пред приклучувањето**
- вклучете го алатот со ставање на прекинувачот А во саканата позиција:  
**8020**  
 I = 50°C, млазот воздух 350 литри во минута  
 II = 450°C, млазот воздух 350 литри во минута  
 III = 600°C, млазот воздух 500 литри во минута  
**8040**  
 I = 50°C + млазот воздух 250-500 литри во минута  
 II = 50°C ... 650°C, млазот воздух 250-500 литри во минута
- при користење на алатот прв пат, може да дојде до чад; ова е нормална појава и набргу ќе престане
- исклучете го алатот со ставање на прекинувачот А во позицијата "0"
- Усогласување на температурата
- ! **има толеранција на наведените температури 50...90 °C: макс. 90 °C помалку од 300 °C: ± 20 % повеќе од 300 °C: ± 10 %**
- 8020**
- користете го тркалото за бирање M за да го изберете посакуваното поставување на температурата
- користете ја табелата ⑥ за референца
- 8040 ⑦**
- подесете ја целната температура во фази од 10°C така што накусо ќе ги притискате B копчињата
- со последователно притискање на копчињата B саканата температура континуирано се зголемува/ намалува се додека копчињата не се отпуштат или не се постигне минимална/максимална температура
- откако ќе се постави целната температура, на екранот D се прикажуваат стрелки што трепкаат сè додека не се постигне посакуваната температура (само во позиција „II“)
- саканата температура ќе биде запаметена во меморијата на алатот, на тој начин што секогаш по

вклучувањето алатите ќе се загреат до последната избрана сакана температура

- Поставување на воздушниот млаз ⑧ (8040)
  - поставете го саканиот воздушен млаз на 50 л/мин со кратко притискање на копчињата C
  - приказот D ја покажува вистинската поставка на воздушниот млаз преку графикон
  - Поставување на меморијата ⑨ (8040)
  - за да изберете една од четирите складирани мемориски поставки, притиснете го копчето P
  - за да ја зачувате температурата и поставката за проток на воздух, притиснете го копчето P за да изберете мемориска локација, поставете ги саканата температура и проток на воздух и притиснете го и држете го копчето N за да ја зачувате поставката
  - Општа употреба
  - подесете ја вистинската температура на тој начин што ќе направите тест на невидливиот дел на работната површина; почнете со подесување на најниската температура
  - температурата опаѓа при оддалечување на отворот/млазникот за воздух од предметот врз кој работите
  - потребната температура е во зависност од материјалот врз кој се работи
  - Стациларна употреба ⑩
  - поставете го алатот на задната страна во исправна положба
  - проверете дали површината е чиста и без прав; загадениот воздух го штетува моторот
  - воздушниот млаз не смее да е насочен кон Вас
  - обезбедете го кабелот за да спречите соборување на алатот
  - не допирајте го отворот/млазникот за воздух
  - внимавате ништо да не навлезе во отворот/млазникот за воздух
  - внимателно држете го алатот со едната рака додека со другата исклучувате и потоа оставете го да се олади
  - Држење и насочување на алатот ⑪
  - алатот држете го со една рака
  - отворите за ладење F ② држете ги отворени
  - Стандарден прибор ⑫
  - заштитен млазник за стакло G (за насочување на воздушниот млаз)
  - тркалезна млазница H (за концентрирање на протокот на воздух)
  - рефлектирачки млазник J (за рефлектирање на воздушниот млаз)
  - редукционен млазник K (за концентрирање на воздушниот млаз)
- НАПОМЕНИ:**
- секој пример на употреба (**освен отстранување боја во близина на стакло**) може да се изведе без прибор; меѓутоа употребата на соодветен прибор ја олеснува работата и значително го подобрува квалитетот на резултатите
  - овој алат може да се користи и во комбинација со вообичаено достапна опрема за топлотни пиштоли
  - Ставање/вадење на приборот
  - едноставно навлечете го делот на приборот на отвор L ⑬

- отстранете го делот се негово извлекување во предниот дел, откога се има оладено

**! приборот поставете го само кога отворот за воздух е студен, кога прекинувачот е во позицијата "0" и кога приклучокот е исклучен**

- користете прстен за вадење на млазникот E за лесно вадење на топлите млазници <sup>(12)</sup>

- Постојаната контрола на топлината (заштита од преоптоварување)

Го заштитува загреаниот елемент од оштета кога алатот е преоптоварен, без да има потреба да се стопира и/или да се олади одреден период

- кога температурата ќе постане превисока, греачот самиот се исклучува, додека моторот продолжува со работа произведувајќи студен воздух

- кога температурата ќе се спушти на доволно ниво (што трае неколку секунди), греачот автоматски ќе се вклучи

**! кога алатот ќе се исклучи по работа на висока температура и ќе се вклучи одново по кратка пауза, ќе измине извесно време пред елементот за загревање да ја постигне саканата температура**

## СОВЕТИ ЗА ПРИМЕНА

- Отстранување боја/лак <sup>(13)</sup>

- користете чист, остар стругач

- кога бојата ќе омекне, стружете поцврсто

- пробајте да утврдите колку долго е потребно да применувате топлина за најдобри резултати

- оменкнатата боја веднаш отстранете ја со стружење, во спротивно повторно ќе се стврдне

- алатот држете го под агол од 30° до 40° во однос на предметот врз него работите

- бојата и отпадоците веднаш отстранете ги од стругачот за да не се запалат

- секаде наде што е можно, стругајте со рапавиот дел на дрвото

- не насочувајте го млазот со топол воздух предолго на иста површина

- внимателно отстранете ги сите остатоци од боја

- темелно исчистете ја работната површина откако ќе завршите со работа

**! бидете внимателни при вадењето слоеви боја во постарите згради; можно е да биле употребени бои што содржат олово кое е многу отровно**

**! изложување дури и на најмало количество олово може да предизвика сериозни оштетувања на мозокот и на нервиот систем; малите деца и новороденчиња се особено чувствителни**

**! оловната боја нека ја отстрани стручно лице без користење фен со топол воздух**

**ДРУГИ ПРИМЕРИ НА УПОТРЕБА:**

★ отстранување (синтетички) сидни облоги

- Отстранување боја/лак во допир со стакло <sup>(14)</sup>

- **секогаш** користете заштитен млазник за стакло G кога работите во контакт со стакло

- отстранете ја бојата со стругалка

**! не користете алат за отстранување боја на прозорците со метална рамка; металот спроведува топлина што може да доведе до прскање на стаклото**

- Отстранување налепници (користете тркалезен млазник H) <sup>(15)</sup>

- многу налепници омекнуваат при загревање и на тој начин овозможуваат лепливите врски да се одвојат и вишокот лепак да се отстрани

**! загревајте ја налепницата од горната страна**

**! секогаш водете сметка да не ја прегреете подлогата**

**ДРУГИ ПРИМЕРИ НА УПОТРЕБА:**

★ отстранување линолеум и винилски подни облоги

★ отстранување покривки изработени од синтетски влакна

★ отстранување фурнири/лепење фурнир ленти

★ омекнување/топење катран, калај, битумен, смола (користете тркалезен млазник H)

★ восочене (скии, намештај) (користете заштитен млазник за стакло G) <sup>(16)</sup>

★ отстранување смола

★ олабавување рѓосани/премногу стегнати метални завртки, матици и завртки

★ отстранување восок од свеќи (**немојте да ја прегревате подлогата**)

★ спојување скршени свеќи/исправување свеќи во претходната состојба

- Стеснување <sup>(17)</sup>

- користете рефлектирачки млазник J или редуccionен млазник K

- избберете цевка за стеснување со пречник што одговара на предметот врз кој работите

- рамномерно загревајте ја цевката за стеснување

**ДРУГИ ПРИМЕРИ НА УПОТРЕБА:**

★ завивање со валкање

- Лемење водни цевки <sup>(18)</sup>

Овој алат е најсоодветен за работа со меко лемење (точка на топење под 400°)

- користете рефлектирачки млазник J

- темелно исчистете ги двете спојни места пред да пристапите кон лемење

- претходно загрејте ги двата дела и нанесите калај (**не користете калај врз база на олово**)

- Растопување смрзнати цевки за вода <sup>(19)</sup>

- користете рефлектирачки млазник J

- рамномерно загрејте го смрзнатиот дел

**! често е тешко да се разликуваат цевките за вода од цевките за гас; загревањето цевки за гас е исклучително опасно- постои ризик од експлозија**

**ДРУГИ ПРИМЕРИ НА УПОТРЕБА:**

★ растопување цевки за вода што се изработени од PVC (позиција II, макс. 60°)

★ одмрзнување смрзнати брави на автомобили (позиција II, макс. 60°) (користете редуccionен млазник J)

★ одмрзнување ладилници (**не оштетувајте го пластичното кукниште**)

★ одмрзнување смрзнати скали и тротоари

- Обликување пластични цевки

- користете рефлектирачки млазник J

- наполнете цевка со песок и запечатете ја на двата краја за да избегнете искривување на цевката

- рамномерно загрејте ја цевката на тој начин што ќе ја поместувате од едната страна кон другата

**ДРУГИ ПРИМЕРИ НА УПОТРЕБА:**

★ обликување пластика со ниска точка на топење (полиетилен, PVC и сл.)

- ★ обликување пластика со висока точка на топење (акрилно стакло, плексиглас и сл.)
- ★ обликување покривки изработени од синтетски влакна
- ★ обликување и свитнување дрво (моделарство)
- Лепење пластика
  - шавот што се заварува мора да биде исчистен и не смее да биде замастен
  - држете го прачката за варење блиску до шавот за заварување и применете топлина додека прачката за варење не стане леплива
  - отстранете го изворот на топлина кога шавот за лемење ќе се пополни

#### ДРУГИ ПРИМЕРИ НА УПОТРЕБА:

- ★ поправање даски за сурфање, скии и други синтетски спортски производи (користете тркалезен млазник H)
- ★ заварување PVC материјали
- ★ порамнување испакнатини по налепување PVC етикети
- ★ спојување градинарски црева (користете рефлектирачки млазник J)
- Сушење
  - ! **алатот користете го за сушење на ниска или средна температура (позиција I или II) и од поголемо растојание меѓу алатот и предметот врз ного работите**
  - сушење боја, лак, гипс, малтер и гипсен малтер
  - сушење влажна дрвена граѓа пред пополнување
  - брзо сушење подебело нанесена полнетица или лепило
  - сушење споеви во згради пред нанесување изолација или гитер
  - сушење споеви и пукнатини во бродоградбата
- Чистење/дезинфекција
  - дезинфекција на простори за чување зајаци, голубарници и сл. (**претходно отстранете ги љубимците**)
  - борба против колонии мравки
  - борба против црвоточини и инсекти (**држете го алатот на соодветно растојание од дрвото**)
  - отстранување плевел

## ОДРЖУВАЊЕ/СЕРВИСИРАЊЕ

- Овој алат не е наменет за професионална употреба
- Никогаш не користете лесно запаливи течности за чистење на фенот за топол воздух, а особено не за чистење на отворите/млазникот
- Алатот и кабелот секогаш да се одржуваат чисти (особено отворите за ладење F ②)
- Доколку алатот и покрај внимателното работење и контрола некогаш откаже, поправката мора да ја изврши некој овластен SKIL сервис за електрични алати
  - во случај на примедба, испратете го алатот **нерасклопен**, заедно со сметкопотврдата, до вашиот продавач или најблискиот SKIL сервис (адресите се наведени на [www.skil.com](http://www.skil.com))
- Имајте предвид дека оштетувањето настанато заради преоптоварување или неправилно ракување со алатот ја отфрла гаранцијата (видете на [www.skil.com](http://www.skil.com) или прашајте го продавачот за условите на гаранцијата на SKIL)

## ЗАШТИТА НА ЖИВОТНАТА СРЕДИНА

- **Не се ослободувајте од електрични алати, уреди или амбалажа преку нивно фрлање во домашното губре** (само за земјите на ЕУ)
  - според Европската Директива 2012/19/ЕС за ослободување од електрична и електронска опрема и нејзина имплементација во согласност со националните закони, електричните алати кои го достигнале крајот на својот животен век мора да бидат собрани посебно и да бидат вратени во соодветен објект за рециклирање
  - симболот ⑤ ќе ве потсетува на ова кога ќе дојде време алатот да го фрлите

AL

## Pistoletë me ajër të nxehtë 8020/8040

### HYRJE

- Kjo pajisje është e projektuar për heqjen e bojës, dhëniën e formës dhe shkriren e plastikës dhe ngrohjen e tubave që tkurren me nxehtësi; pajisja është e përshtatshme edhe për ngjitjen dhe veshjen, heqjen e lidhjeve me ngjitje dhe shkriren e tubave të ujit
- Kjo vegël nuk është e projektuar për përdorim profesional
- Lexoni dhe ruani këtë manual të përdorimit ③

## TË DHËNAT TEKNIKE ①

### ELEMENTET E VEGËL ②

- A Çelësi i ndezjes/fikjes
- B Butonat për përcaktimin e temperaturës (8040)
- C Butonat për përcaktimin e rrymës së ajrit (8040)
- D Ekрани (LCD) (8040)
- E Unaza e lëshimit të gypit
- F Të çarët e ajrosjes
- G Gypi i mbrojtjes së xhamit
- H Gypi e rrumbullakët
- J Gypi i reflektorit
- K Gypi i zvogëlimit
- L Dalja/gypi i ajrit
- M Rrotëza e zgjedhjes (8020)
- N Butoni për ruajtjen e memories (8040)
- P Butoni për zgjedhjen e memories (8040)

## SIGURIA

### TË PËRGJITHSHME

- **Kjo pajisje mund të përdoret nga fëmijët e moshës 8 vjeç e sipër dhe nga personat që kanë kufizime fizike, ndijore ose mendore ose mungesë eksperience ose njohurish nëse një person përgjegjës për sigurinë e tyre i monitoron ose i ka**

## udhëzuar për përdorimin në mënyrë të sigurt të pajisjes dhe ata i kanë kuptuar rreziqet përkatëse (në rast të kundërt, ekziston rreziku i gabimeve dhe i dëmtimeve gjatë përdorimit)

- **Monitoroni fëmijët** (kjo do të garantojë që fëmijët të mos luajnë me veglën)
- **Pastrimi dhe mirëmbajtja nga përdoruesi për pajisjen nuk duhet të kryhet nga fëmijët të pamonitoruar**

### PARA PËRDORIMIT:

- Kontrolloni funksionimin e pajisjes para çdo përdorimi dhe, në rast defekti, riparojeni nga një person i kualifikuar; mos e hapni kurrë vetë pajisjen
- Kontrolloni kordonin e pajisjes dhe vendoseni në spinë para çdo përdorimi dhe, nëse dëmtohet, zëvendësojeni nga një person i kualifikuar
- Përdorni kordonë të pahapur dhe të sigurt për zgjatime, me një kapacitet 16 amper
- Asnjëherë mos e përdorni mjetin kur kordoni është dëmtuar; ai duhet të ndërrohet nga prodhuesi, agjenti i shërbimit ose persona të ngjashëm të kualifikuar për të shmangur një rrezik.
- Përdoreni pajisjen dhe aksesoret e saj në përputhje me këtë manual përdorimi dhe në mënyrë që kërkohet për pajisjen; përdorimi i pajisjes për punë të ndryshme ngatë ato që parashikohet të kryhen normalisht nga pajisja mund të shkaktojë situata të rrezikshme
- Kontrolloni gjithmonë që voltazhi i energjisë është i njëjtë me voltazhin e treguar në etiketën e veglës
- Sigurohuni që pajisja të jetë e fikur kur ta vendosni në prizë

### GJATË PËRDORIMIT:

- Mbajeni me kujdes pajisjen; parandaloni zjarrin dhe djegiet
  - mos e prekni daljen/gypin e ajrit dhe objektin e nxehtë; ato nxehen jashtëzakonisht shumë
  - mos e mbani daljen/gypin e ajrit shumë afër me objektin me të cilin po punoni
  - mos e drejtoni rrymën e ajrit të nxehtë drejt të njëjtës sipërfaqe për një kohë të gjatë
  - mos shikoni kurrë drejtpërdrejt në daljen/gypin e ajrit
  - mbani doreza mbrojtëse dhe përdorni syze sigurie
  - mos e drejtoni kurrë rrymën e ajrit të nxehtë drejt personave dhe kafshëve
  - mos e përdorni kurrë pajisjen për të tharë flokët
  - mos e lini veglën të punojë pa mbikëqyrje
  - mos e përdorni kurrë pajisjen në afërsi të gazeve ose materialeve të djegshme (**rrezik shpërthimi**)
- kur punoni me plastikë, bojë, llak dhe materiale të ngjashme mund të çlirohen gaze të djegshme dhe helmuese; informohuni paraprakisht për materialet ku do të punoni
- kini parasysh se nxehtësia mund të transferohet në materialet e djegshme jashtë këndit të shikimit

- për të qenë të sigurt, mbani një kovë me ujë ose fikëse zjarr pranë, në rast se një material merr zjarr
- Parandaloni goditjen elektrike
  - mos shpuni kurrë daljen/gypin e ajrit
  - shmangni kontaktin trupor me sipërfaqet e tokëzuara (p.sh. tubat, radiatorët, raftet, frigoriferët)
  - sigurohuni që pajisja të mos njomet
  - mos e përdorni pajisjen në vende të njoma
  - kur e përdorni në ambiente të jashtme, lidhni pajisjen me një automat të korrentit të defektit (FI) me rrymë aktivizuese maksimumi 30 mA, dhe përdorni vetëm një kordon zgjatues të projektuar për përdorim në ambiente të jashtme me një prizë kundër ujit
- Mbani me kujdes kordonin
  - mbajeni kordonin gjithmonë larg nga rryma e ajrit të nxehtë dhe dalja/gypi i ajrit
  - mbajeni kordonin larg nga nxehtësia, vaji dhe anët e mprehta
  - mos e mbani pajisjen nga kordoni dhe mos tërhiqni kordonin për ta shkëputur nga prizja
  - mos e varni pajisjen nga kordoni
- Mos e përdorni kurrë pajisjen në ndërthurje me hollues kimikë
- Sigurohuni që zona e punës të jetë e ajrosur mirë
- Mbajeni zonën e punës të pastër dhe të ndriçuar mirë
- Jini të vëmendshëm; shikoni se çfarë po bëni, përdorni gjykimin tuaj dhe mos e përdorni pajisjen kur jeni i lodhur
- Mbani një pozicionim të sigurt; mos u zgjasni, simodos mbi shkallë dhe mbi skela
- Sigurohuni që pajisja është e fikur para se ta lini
- Në rast të një defekti elektrik ose mekanik, fikni menjëherë pajisjen dhe hiqni spinën

### PAS PËRDORIMIT:

- vendosni pajisjen mbi pjesën e pasme në pozicion vertikal
- Fikni pajisjen dhe hiqni spinën
- Lejoni që pajisja të ftohet për të paktën 30 minuta para se ta vini në magazinë
- Mos e magazinoni/lini veglën në ambiente të jashtme
- Magazinoheni pajisjen në një vend të thatë dhe të mbyllur, larg nga fëmijët

### SHPJEGIMI I SIMBOLEVE NË VEGJË

- ③ Lexoni manualin e udhëzimeve para përdorimit
- ④ Izolim i dyfishtë (nuk kërkohet tokëzim)
- ⑤ Mos e hidhni veglën bashkë me materialet e mbetjeve familjare

## PËRDORIMI

- Çelësi i ndezjes/fikjes me parametra të temperaturës ⑥
  - ! **kontrolloni nëse çelësi A ② është në pozicionin "0" para se ta vini në prizë**
  - ndizni pajisjen duke shtyrë çelësin A në pozicionin e dëshiruar:
    - 8020**
      - I = 50°C, rryma e ajrit 350 litra/minutë
      - II = 450°C, rryma e ajrit 350 litra/minutë
      - III = 600°C, rryma e ajrit 500 litra/minutë
    - 8040**
      - I = 50°C + rryma e ajrit 250-500 litra/minutë
      - II = 50°C ... 650°C, rryma e ajrit 250-500 litra/minutë
    - kur ta përdorni për herë të parë, nga pajisja mund të çlirohet pak tym; kjo gjë është normale dhe do të ndalojë shpejt
    - fikni pajisjen duke shtyrë çelësin A në pozicionin "0"

- Përcaktimi i temperaturës  
**! ka një tolerancë në temperaturat e reguara 50...90°C: maks. 90°C**  
**më pak se 300°C: ±20%**  
**më shumë se 300°C: ±10%**  
**8020**  
- përdorni rrotëzën e zgjedhjes M për të zgjedhur përcaktimin e temperaturës që dëshironi  
- përdorni tabelën ⑥ për referencë  
**8040 ⑦**  
- caktoni temperaturën e dëshiruar si objektiv në hapa me 10°C duke shtypur lehtë butonat B  
- shtyja e vazhdueshme e butonave B rrit/zvogëlon vazhdimisht temperaturën objektive deri sa të lëshohen butonat ose të arrihet temperatura minimale/maksimale  
- pasi të caktohet temperatura e objektivit, në ekranin D shfaqen shigjeta me pulsmin deri sa të arrihet temperatura e dëshiruar (vetëm në pozicionin "II")  
- temperatura objektive do të ruhet në memorien e pajisjes, në mënyrë që në çdo herë që ndizni pajisjen ajo do të nxehet në temperaturën e fundit të zgjedhur
- Përcaktimi i rrymës së ajrit ⑧ (8040)  
- caktoni rrymën e ajrit e dëshiruar si objektiv në hapa me 50 l/min duke shtypur lehtë butonat C  
- ekрани D tregon përcaktimin aktual të rrymës së ajrit në një grafik më shirita
- Përcaktimi i memories ⑨ (8040)  
- për të zgjedhur një nga katër përcaktimet e ruajtura të memories, shtypni butonin P  
- për të ruajtur një temperaturë dhe një përcaktim të rrymës së ajrit, shtypni butonin P për të zgjedhur një vendndodhje të memories, caktoni temperaturën dhe rrymën e ajrit që dëshironi dhe mbani të shtypur butonin N për ta ruajtur përcaktimin
- Përdorimi i përgjithshëm  
- përcaktoni temperaturë e duhur duke provuar në një pjesë që nuk duket në material; filloni me një parametër të ulët të temperaturës  
- temperatura bie kur rritet distanca midis daljes/gypit të ajrit dhe materialit të punës  
- temperatura e kërkuar varet nga materiali ku do të punoni
- Përdorimi i palëvizur ⑩  
- vendoseni pajisjen mbi pjesën e pasme në pozicion vertikal  
- sigurohuni që sipërfaqja të jetë e pastër dhe pa pluhura; ajri i ndotur dëmton motorin  
- sigurohuni që rryma e ajrit të jetë e drejtuar larg jush  
- siguroni kordonin për të parandaluar tërheqjen e pajisjes  
- mos prekni daljen/gypin e ajrit  
- sigurohuni që asgjë të mos bjerë në daljen/gypin e ajrit  
- mbajeni me kujdes pajisjen me një dorë ndërsa e fikni me dorën tjetër, dhe më pas lëreni që të ftohet
- Mbatja dhe drejtimi i veglës ⑪  
- mbajeni pajisjen me një dorë  
- mbajeni të çarat e ajritim F ② të pambuluara
- Aksesorët standardë ⑫  
- gypi i mbrojtjes së xhamit G (për shmangien e rrymës së ajrit)  
- koka e rrumbullakët H (për përqendrimin e rrymës së ajrit)  
- gypi i reflektorit J (për reflektimin e rrymës së ajrit)  
- gypi i zvogëlimit K (për përqendrimin e rrymës së ajrit)

## SHËNIME:

- të gjitha shembujt e përdorimit (**përveç heqjes së bojës mbi xham**) mund të kryhen pa aksesorë; sidoqoftë përdorimi i aksesorit të përshtatshëm e thjeshton punën dhe përmirëson ndjeshëm cilësinë e rezultateve
- kjo pajisje mund të përdoret e kombinuar me aksesorët e tjerë normalisht të disponueshëm për pistoletat më ajër të nxehtë
- Montimi/heqja e aksesorëve  
- thjesht përshtatni aksesorin në daljen e ajrit L ②  
- hiqeni një aksesor duke e tërhequr përpara pasi të jetë ftohur  
**! montoni një aksesor vetëm kur dalja e ajrit të jetë e ftohtë, kur çelësi është në pozicionin "0" dhe kur spina është e shkëputur**  
- përdorni unazën e lëshimit të gypit E për heqjen e lehtë të gypëve të nxehtë ⑫
- Kontrolli i vazhdueshëm i nxehtësisë (mbrojtja nga mbingarkesa)  
Mbron elementin e nxehtësisë nga dëmtimi kur pajisja është e mbingarkuar pa u detyruar ta ndaloni dhe/ose ta lini të ftohet për pak kohë  
- kur temperatura ngrihet shumë, elementi i nxehtësisë vetë, kurse motori vazhdon të punojë dhe krijon ajër të ftohtë  
- kur temperatura të ketë rënë ndjeshëm (zgjat vetëm disa sekonda), elementi i nxehtësisë do të ndizet automatikisht  
**! kur pajisja fiket pas punës në një përcaktim të lartë të temperaturës, dhe ndizet përsëri pas një pushimi të shkurtër, mund të zgjasë pak para se elementi i nxehtësisë të arrijë në temperaturën e dëshiruar**

## KËSHILLË PËR PËRDORIMIN

- Heqja e bojës/llakut ⑬  
- përdorni një spatull të pastër, të mprehtë  
- gërryjeni fort, kur boja të zbutet  
- eksperimentoni për të përcaktuar gjatësinë e kohës që duhet për të ushtruar nxehtësinë për rezultate optimale  
- gërryeni menjëherë bojë e zbutur ose ajo do të forcohet përsëri  
- mbani një kënd 30° deri në 40° midis pajisjes dhe materialit  
- hiqni bojën dhe copërat menjëherë nga spatulla për të parandaluar ndezjen e tyre  
- gërryeni me sipërfaqen e drurit, kur është e mundur  
- mos e drejtoni rrymën e ajrit të nxehtë drejt të njëjtës sipërfaqe për një kohë të gjatë  
- hidhni mbetjet e bojës në mënyrë të sigurt  
- pastroni plotësisht zonën e punës pasi të përfundoni punën  
**! kini kujdes kur të hiqni shtresat e bojës në ndërtesa të vjetra; në të kaluarën ndërtesa mund të jetë lyer me bojë që përmban plumb, që është shumë helmuese**  
**! ekspozimi edhe ndaj niveleve të ulta të plumbit mund të shkaktojë dëmtime të rënda nervore dhe të trurit; fëmijët e vegjël dhe të palindur janë veçanërisht të rrezikuar**  
**! boja me bazë plumbi të hiqet nga një specialist pa përdorur pistoletën me ajër të nxehtë**

## SHEMBULL TJETËR I PËRDORIMIT:

★ heqja e shtresës së murit (sintetike)

- Heqja e bojës/llakut mbi xham <sup>(14)</sup>
  - gjithmonë përdorni gypin e mbrojtjes së xhamit G kur punoni mbi xham
  - higjeni bojën me një spatull manuale
- ! **mos përdorni pajisjen për heqjen e bojës në dritare me kornizë metalike; metali është përcjellës i nxehtësisë dhe mund të shkaktojë thyerjen e xhamit**
- Heqja e ngjitëseve (përdorni gypin e rrumbullakët H) <sup>(15)</sup>
  - shumë ngjitëse bëhen më të buta kur nxehen, duke lejuar ndarjen e lidhjeve ngjitëse dhe heqjen e ngjitësve të panevojshme

! **nxehini ngjitëset në anën e sipërme**

! **gjithmonë kini kujdes që të mos e nxehini shumë sipërfaqen poshtë**

## SHEMBUJ TË TJERË TË PËRDORIMIT:

- ★ heqja e linoleumit dhe tapetit me vinil
- ★ heqja e pllakave të tapetit me fibra sintetike
- ★ heqja e rimesos/vendosja e shiritave të rimesos
- ★ zbutja/shkrimja e zifit, kallajit, bitumit, dyllit (përdorni gypin e rrumbullakët H)
- ★ dylosja (mobilie) (përdorni gypin e mbrojtjes së xhamit G) <sup>(16)</sup>

★ heqja e ngjitësit

★ lirim i vidave, dadove dhe bulonëve metalikë të ndryshkur/të shtrënguar fort

★ heqja e parafinës së qirinjeve (**mos e nxehini shumë sipërfaqen poshtë**)

★ riparimi i qirinjeve të thyer/rikthimi i qirinjeve të përkulur në formën origjinale

- Përshtatja me tkurje <sup>(17)</sup>
  - përdorni gypin e reflektorit J ose gypin e zvogëlimit K
  - zgjidhni një tub me përshtatje me tkurje me diametër të përshtatshëm me atë të materialit

- nxehini tubin në mënyrë të njëtrajtshme

## SHEMBULL TJETËR I PËRDORIMIT:

★ mbështjellja me tkurje

- Ngjitja e tubave të ujit <sup>(18)</sup>
    - Kjo pajisja është më e përshtatshme për punën me bashkues të butë (pika e shkrires nën 400°)
    - përdorni gypin e reflektorit J
    - pastroni plotësisht të dyja pjesët bashkuese para ngjitjes
    - nxehini paraprakisht të dyja pjesët dhe përdorni tel për saldimit (**mos përdorni tel saldimit me bazë plumbi**)
  - Shkrimja e tubave të ngrirë të ujit <sup>(19)</sup>
    - përdorni gypin e reflektorit J
    - nxehini zonën e ngrirë në mënyrë të njëtrajtshme
- ! **tubat e ujit është e vështirë të dallohen nga tubat e gazit; nxehta e tubave të gazit është shumë e rrezikshme - rrezik shpërthimi**

## SHEMBUJ TË TJERË TË PËRDORIMIT:

★ shkrija e tubave të ujit me PVC (**pozicioni II, maks. 60°C**)

★ shkrija e bravave të ngrira të makinës (**pozicioni II, maks. 60°C**) (përdorni gypin e zvogëlimit)

★ shkrija e frigoriferëve ngrirës (**mos dëmtoni paretin plastik**)

★ shkrija e shkallëve dhe rrugicave me akull

- Dhënia e formës për tubat plastikë
  - përdorni gypin e reflektorit J

- mbusheni tubin me rërë dhe izolojeni në të dyja anët, për të shmangur përdredhjen e tubit
- nxehini tubin në mënyrë të njëtrajtshme duke e lëvizur nga njëra anë në tjetrën


## SHEMBUJ TË TJERË TË PËRDORIMIT:

- ★ dhënia e formës për të gjitha materialet plastike me shkrije në pikë të ulët (polietilen, PVC, etj.)
- ★ dhënia e formës për të gjitha materialet plastike me shkrije në pikë të lartë (xham akrilik, pleksiglas, etj.)
- ★ dhënia e formës dhe përkulja e pllakave të tapetit me fibra sintetike
- ★ dhënia e formës dhe përkulja e drurit (ndërtimi i modeleve)
- Ngjitja e plastikës
  - vija e ngjitjes duhet të jetë e pastër dhe pa vajra
  - mbajeni shufrën e shkrires në vijën e ngjitjes dhe ushtroni nxehtësi deri sa shufra e shkrires të bëhet ngjitëse
  - higieni nxehtësinë kur vija e ngjitjes të mbushet
- SHEMBUJ TË TJERË TË PËRDORIMIT:
  - ★ riparimi i dërrasave të sérfit, skive dhe artikujve të tjerë sintetikë sportivë (përdorni gypin e rrumbullakët H)
  - ★ ngjitja e materialeve PVC
  - ★ zbutja e fluskave pas ngjitjes së fashove PVC
  - ★ lidhja e tubave në kopsht (përdorni gypin e reflektorit J)
- Tharja
  - ! **thani vetëm me një përcaktim të ulët ose mesatar të temperaturës (pozicioni I ose II) dhe me një distancë më të madhe midis pajisjes dhe materialit**
  - tharja e bojës, llakut, gipsit, llaçit dhe suvasë
  - tharja e drurit të njomë para përdorimit
  - tharja e shpejtë e materialeve të trasha mbushëse dhe ngjitëse
  - tharja e lidhjeve në ndërtim para spërkatjes për izolim ose me izolues
  - tharja e lidhjeve dhe krisjeve në varka
- Pastrimi/desinfektimi
  - deinfektimi i kafazave të lepujve, pëllumbave, etj. (**hiqni fillimisht kafshët**)
  - luftimi i kolonive të mizave
  - luftimi i krimbave të drurit dhe brumbujve (**mbajeni pajisjen në një distancë të përshtatshme nga druri**)
  - eliminimi i barërave

## MIRËMBAJTJA / SHËRBIMI

- Kjo vegël nuk është e projektuar për përdorim profesional
- Mos përdorni kurrë lëngje të djegshme për pastrimin e pistoletës me ajër të nxehtë në përgjithësi dhe daljes/gypit të ajrit në veçanti.
- Mbajeni gjithmonë veglën dhe kordonin të pastër (veçanërisht të çarat e ajrosjes F ②)
- Nëse pajisja ka defekt pavarësisht kujdesit në prodhim dhe procedurat e provave, riparimi duhet të kryhet nga një qendër e shërbimit pas shites për veglat e punës të SKIL
  - dërgoni veglën të çmontuar së bashku me vërtetimin e blerjes të shitësi ose te qendra më e afër e shërbimit e SKIL (adresat si dhe diagrami i shërbimit i veglës janë të paraqitura në www.skil.com)
- Kini parasysh se dëmtimet për shkak të mbingarkesës ose manovrimit të papërshtatshëm të veglës janë të përjashtuara nga garancia (për kushtet e garancisë së SKIL vizitoni www.skil.com ose pyetni shitësin tuaj)

## MJEDISI

- **Mos i hidhni veglat elektrike, aksesorët dhe paketimin së bashku me materialet e mbeturinave familjare** (vetëm për vendet e BE-së)
  - në respektim të Direktivës evropiane 2012/19/EC për pajisjet elektrike dhe elektronike si mbetje dhe zbatimin e saj në përputhje me ligjet kombëtare, pajisjet elektrike që kanë arritur në fund të jetëgjatësisë së tyre duhet të mbledhen të ndara dhe të kthehen në një objekt riciklimi në përputhje me mjedisin.
  - simboli  do t'ju kujtojë për këtë gjë kur të jetë nevoja për t'i hedhur



★ رفع یخ زدگی پله ها و پداده روهای پوشیده از یخ

• شکل دهی لوله های پلاستیکی

- از نازل بازتابی ل استفاده شود

- برای جلوگیری از خم شدن بیش از حد. لوله را با شن پر کرده و هر دو انتهای آنرا ببندید

- لوله را از یک طرف به طرف دیگر حرکت دهید تا همه جای آن بطور یکنواخت گرم شود

سایر موارد استفاده:

★ شکل دهی کلیه مواد پلاستیکی با نقطه ذوب پایین (پلی اتیلن، پولیکا PVC و غیره)

★ شکل دهی کلیه مواد پلاستیکی با نقطه ذوب بالا (شیشه آکرلیک، پلکسی گلاس و غیره)

★ شکل دهی و خم کردن تایل های کفی پوش ساخته شده از الیاف مصنوعی

★ شکل دهی و خم کردن چوب (مدلسازی)

• جوش دادن پلاستیک

- درز جوش باید تمیز و عاری از روغن و گریس باشد

- سیم جوش را نزدیک درز جوش گرفته و حرارت دهید تا سیم جوش چسبناک شود

- هرگاه درز جوش پر شد حرارت را بردارید

سایر موارد استفاده:

★ تعمیر تخته موج سواری، چوب اسکی و سایر لوازم ورزشی مصنوعی (استفاده کنید نازل گرد H)

★ جوشکاری مواد PVC

★ صاف کردن برجستگی ها بعد از چسباندن برجسب های PVC

★ وصل کردن شلنگ های آب (از نازل بازتابی ل استفاده شود)

• خشک کردن

! خشک کردن فقط باید در تنظیم پایین یا متوسط دما (وضعیت I یا II) و بگونه ای انجام شود که فاصله بین ابزار و قطعه کاری بیشتر از حد عادی باشد

- خشک کردن رنگ، روغن جلا گچ، ملات گچ و خاک

- خشک کردن الوارهای تر پیش از بتونه کاری

- خشک کردن سریع لایه های ضخیم بتونه یا چسب

- خشک کردن اتصالات ساختمانی پیش از پاشیدن عایق یا درزگیر

- خشک کردن اتصالات و ترک ها در قایق سازی

• تمیز کردن/ضد عفونی کردن

- ضد عفونی کردن لانه خرگوش، لانه کیبوتر و مانند آنها (ابتدا حیوان خانگی را خارج کنید)

- از بین بردن کولونی مورچه ها

- از بین بردن موربانه ها و سوسک های چوب خوار (فاصله کافی را بین ابزار و چوب در نظر بگیرید)

- از بین بردن علف های هرز

## نگهداری / سرویس- خدمات

- این ابزار برای مصارف حرفه ای مناسب نیست
- هرگز از مایعاتی که به آسانی مشتعل می شوند برای تمیز کردن سشوار صنعتی و یا علی الخصوص خروجی/نازل هوای آن استفاده نکنید
- همیشه ابزار و سیم برق را تمیز نگه دارید (بخصوص شیرهای تهویه F)
- اگر ابزار علیرغم تمام دقت و مراقبتی که در فرایندهای تولید و تست بکار برده شده از کار افتاد، تعمیرات باید فقط در مراکز خدمات پس از فروش ابزارهای برقی SKIL انجام شود
- ابزار را بصورت باز نشده همراه با رسید خرید به فروشنده یا نزدیک ترین مرکز خدمات رسالتی SKIL بفرستید (آدرسها به همراه نموده ارتقشه های سرویس ابزار در [www.skil.com](http://www.skil.com) موجود است)
- توجه داشته باشید که خرابی و خسارت ناشی از اضافه بار یا کار کردن نادرست با ابزار مشمول ضمانت نخواهند بود (برای آگاهی از شرایط ضمانت SKIL به نشانی [www.skil.com](http://www.skil.com) مراجعه کرده یا از فروشنده خود سوال کنید)

## محیط زیست

- ابزارهای برقی، لوازم و متعلقات و بسته بندی آنها را نباید همراه با زباله های عادی خانگی دور انداخت (فقط مخصوص کشورهای عضو اتحادیه اروپا)
- با توجه به مصوبه اروپایی EG/19/2014 اروپا درباره لوازم برقی و الکترونیکی مستعمل و اجرای این مصوبه مطابق با قوانین کشوری، ابزارهای برقی که به پایان عمر مفید خود رسیده اند باید جداگانه جمع آوری شده و به یک مرکز بازیافت مناسب و سازگار با محیط زیست انتقال یابند
- نماد علامت (5) یادآور این مسئله در هنگام دور انداختن است

- نمایشگر D تنظیم حقیقی ظرفیت هواهی را بصورت یک نمودار میله ای نمایش می دهد
- تنظیم حافظه ④ (۸۰-۴)
- برای انتخاب یکی از چهار تنظیم حافظه ذخیره شده دکمه P را فشار دهید
- برای ذخیره تنظیمات دما و جریان هوا دکمه P را فشار دهید. برای انتخاب محل حافظه. تنظیم دما و جریان هوای دلخواه دکمه N را فشار داده و نگه دارید تا تنظیم ذخیره گردد
- استفاده عادی
- ابتدا روی یک تکه بردنخور از قطعه کاری آزمایش کنید تا دمای مناسب مشخص شود؛ کار را با دمای پایین شروع کنید
- هرچه فاصله میان خروجی/نازل هوا و قطعه کاری بیشتر شود. دما افت می کند
- دمای مورد نیاز به قطعه کاری بستگی دارد
- استفاده در حالت ثابت ①
- ابزار را در وضعیت استفاده به پشت قرار دهید
- مطمئن شوید که سطح تمیز و عاری از گرد و غبار باشد؛ هوای آلوده به موتور آسیب می رساند
- مطمئن شوید که جهت جریان هوا به سمت شما نباشد
- سیم را محکم کنید تا ابزار به پایین کشیده نشود
- به خروجی/نازل هوا دست نزنید
- دقت کنید که هیچ چیزی به داخل خروجی/نازل هوا نیفتد
- ابزار را خیلی با دقت در دست گرفته و با دست دیگر آنرا خاموش کنید.
- سپس اجازه دهید ابزار خنک شود
- نگهداشتن و هدایت ابزار ②
- ابزار را با یک دست بگیرید
- شیارهای تهویه F ① را مسدود نکنید
- متعلقات استاندارد ③
- نازل محافظ شیشه G (برای منحرف کردن جریان هوا)
- نازل گرد H (برای متمرکز کردن جریان هوا)
- نازل بازتابی L (برای بازتاب دادن جریان هوا)
- نازل کاهنده K (برای متمرکز کردن جریان هوا)

- تذکرات:
- کلیه موارد استفاده شرح داده شده (به غیر از پاک کردن رنگ در مجاورت شیشه) بدون متعلقات نیز قابل اجرا هستند؛ اما استفاده کردن از متعلقات صحیح و مناسب باعث ساده تر شدن کار و بهتر شدن نتیجه می شود
  - این ابزار همچنین می تواند در ترکیب با لوازم جانبی که معمولاً در دسترس برای اسلحه گرم
  - سوار/ایز کردن متعلقات
  - کافی است متعلقات را روی خروجی هوا سوار کنید L ①
  - برای برداشتن متعلقات باید ابتدا صبر کنید خنک شوند سپس آنها را بکشید و از جای خود خارج کنید
  - ! متعلقات را فقط زمانی می توانید سوار کنید که خروجی هوا خنک باشد.
  - کلید در وضعیت "۰" بوده و سیم برق قطع شده باشد
  - از حلقه آزاد کننده نازل E برای برداشتن آسان نازل های داغ استفاده کنید ②
  - کنترل پیوسته حرارت (محافظت در برابر اضافه بار)
  - اگر ابزار دچار اضافه بار شود بدون نیاز به متوقف کردن کار آن وایا بدون اینکه لازم باشد برای مدتی آنرا خاموش کنید تا خنک شود. المنت حرارتی را در برابر آسیب دیدگی محافظت می کند
  - موقعی که دما خیلی بالا می رود. المنت حرارتی خوبید خود خاموش می شود و در عین حال موتور به کار خود ادامه داده و هوای خنک تولید می کند
  - بعد از اینکه دما به حد قابل قبولی کاهش یافت (فقط چند ثانیه طول می کشد). المنت حرارتی دوباره بطور خودکار روشن می شود
  - ! هنگامی که ابزار را بعد از کار در یک تنظیم دمای زیاد خاموش کرده. و پس از یک استراحت کوتاه مجدداً آنرا روشن می کنید. امکان دارد مدتی طول بکشد تا المنت حرارتی آن به دمای دلخواه برسد

## توصیه های کاربردی

- پاک کردن رنگ/لاک الکال ③
- از یک کارکرد تمیز و نیز استفاده کنید
- موقعی که رنگ نرم شد محکم با کارکرد آنرا برتراشید
- برای مشخص کردن مدت زمان اعمال گرما برای رسیدن به نتیجه بهینه.
- چندبار آزمایش کنید

- رنگ نرم شده را فوراً با کارکرد برتراشید. چون در غیراینصورت دوباره سفت خواهد شد
- ۳۰ تا ۴۰ درجه زاویه بین ابزار و قطعه کاری را حفظ کنید
- برای جلوگیری از آتش گرفتن رنگ و ذرات دیگر. آنها را فوراً از روی کارکرد پاک کنید
- در صورت امکان کارکرد را در جهت رشته های چوب بکشید
- جریان هوای داغ را برای مدت طولانی روی یک سطح خاص نگهید
- تمام ذرات رنگ را بطور ایمن دور بریزید
- هنگام کار با بعد از تکمیل کار بخوبی تمیز کنید
- ! هنگام پاک کردن لایه های رنگ در ساختمان های قدیمی خیلی مواظب باشید؛ در گذشته مرسوم بوده که ساختمان ها را با رنگ های حاوی سرب رنگ کنند. که شدت سمی است
- ! قرار گرفتن در معرض حتی مقادیر ناچیز سرب می تواند آسیب های جدی به مغز و سیستم اعصاب بدن وارد کند؛ کودکان خردسال و به دنیا نیامده بطور خاص در معرض خطر قرار دارند
- ! پاک کردن رنگ های حاوی سرب را به متخصصان این کار بسپارید تا بدون سنبشوار صنعتی این کار را انجام دهند

سایر موارد استفاده:

- ★ برداشتن دیوارپوش ها (مصنوعی)
- پاک کردن رنگ/لاک الکال در مجاورت شیشه ②
- هنگام کار در مجاورت شیشه همیشه استفاده کنید از نازل محافظ شیشه G
- رنگ را با یک کارکرد دستی پاک کنید
- ! از این ابزار برای پاک کردن رنگ پنجره های قاب فلزی استفاده نکنید؛ فلز های حرارت است و ممکن است منجر به شکسته شدن شیشه شود
- نردب چرچسب ها (استفاده کنید نازل گرد H) ⑤
- بسپاری از آسیب ها بعد از گرم شدن نرم می شوند که در نتیجه پیوندهای چرچسب جدا شده و چسب غیرضروری کنده می شود
- ! چرچسب را از روی آن گرم کنید
- ! مراقب باشید که سطح زیرین را خیلی گرم نکنید

سایر موارد استفاده:

- ★ برداشتن کفیوش های لیتولوم و وینیل
- ★ برداشتن تایل های کفیوش ساخته شده از الیاف مصنوعی
- ★ برداشتن روکش های چوبی/نصب نوارهای روکش چوبی
- نرم/دوب کردن قیر. قلع. قیر طبیعی. موم (استفاده کنید نازل گرد H)
- ★ واکس زدن (چوب اسکی. میلمان) (استفاده کنید از نازل محافظ شیشه ② G)
- ★ برداشتن زین ها
- ★ شل کردن پیچ و مهره های فلزی رنگ زده/خیلی محکم
- ★ پاک کردن موم شمع (سطح زیرین را خیلی گرم نکنید)
- ★ تعمیر شمع های شکسته/برگرداندن شمع های خم شده به شکل اصلی
- سوار کردن انقباضی (شرینک فیت) ⑥
- از نازل بازتابی L با نازل کاهنده K استفاده شود
- یک تکه لوله شرینک-فیت با قطر مشابه قطعه کاری انتخاب کنید
- لوله شرینک-فیت را بطور یکنواخت گرم کنید

سایر موارد استفاده:

- ★ بسته بندی جمع شونده (شرینک رپ)
- جیم کاری لوله های آب ⑧
- این ابزار برای کار با جیم های نرم (قطعه ذوب زیر ۴۰۰ درجه سانتیگراد) مناسب تر است
- از نازل بازتابی L استفاده شود
- پیش از جیم کاری هر دو سطح اتصال را کاملاً تمیز کنید
- هر دو قسمت را پیش گرم کرده و از سیم جیم استفاده کنید (از سیم های جیم حاوی سرب استفاده نکنید)
- رفع یخ زدگی لوله های آب یخ زده ⑩
- از نازل بازتابی L استفاده شود
- قسمت یخ زده را بطور یکنواخت گرم کنید
- ! تمیز دامن لوله های آب از لوله های گاز؛ اغلب مشکل است؛ گرم کردن لوله های گاز کار بسیار خطرناکی است - خطر انفجار

سایر موارد استفاده:

- ★ رفع یخ زدگی لوله های از جنس پولیکا (وضعیت II حداکثر ۱۰۰ درجه سانتیگراد)
- ★ رفع یخ زدگی قفل اتومبیل ها (وضعیت II). حداکثر ۱۰۰ درجه سانتیگراد (از نازل بازتابی استفاده کنید)
- ★ برفک زدایی با یخفرست کردن فریزرها (دقت کنید به بدنه پلاستیکی آسیبی نرسد)

## توانند از این ابزار استفاده کنند که شخص مسئول ایمنی آنها بر کارشان نظارت کرده و یا درباره عملکرد ایمن ابزار به آنها آموزش داده باشند و آنها خطرات موجود را درک کرده باشند (در غیراینصورت خطر بروز خطاهای کاری و جراحات وجود خواهد داشت)

### • کودکان را تحت نظارت داشته باشید (با این کار مطمئن خواهید شد که کودکان با ابزار بازی نمی کنند)

## • تمیز کردن و امور نگهداری ابزار نبایستی توسط کودکان بدون نظارت انجام شود

پیش از استفاده:

- عملکرد ابزار را پیش از هر بار استفاده کنترل کرده و در صورت مشاهده اشکال، دستگاه را فوراً برای تعمیر نزد یک تعمیرکار ماهر ببرید، هرگز خودتان ابزار را باز نکنید
- دوشاخه و سیم ابزار را پیش از هر بار استفاده بازبینی کنید و در صورت آسیب دیدگی از یک تعمیرکار ماهر بخواهید آنها را عوض کند
- سیم های رابط برق باید کاملاً باز شده و ایمن باشند. از سیم هایی با رده بندی 16 آمپر
- وقتی که سیم آسیب دیده است هرگز نباید از ابزار استفاده کنید؛ برای جلوگیری از مخاطرات باید توسط سازنده، نماینده خدمات یا افراد واجد شرایط مشابه تعویض گردد
- از ابزار و متعلقات آن فقط مطابق با دستورالعملهای این دفترچه راهنما و فقط برای کاربری های پیش بینی شده استفاده کنید؛ استفاده از ابزار برای کارهایی غیر از آنچه برای آن طراحی شده است می تواند خطرناک باشد
- همیشه مطمئن شوید که ولتاژ ورودی دستگاه برابر ولتاژ باشد که روی پلاک دستگاه نوشته شده است
- موقعی که دوشاخه ابزار را بر برق می زنید باید حتماً ابزار خاموش باشد

در حین استفاده:

- موقع کار با ابزار خیلی دقت کنید؛ از آتش گرفتن و سوختگی جلوگیری کنید
- به خروجی/نازل هوا و شویی گرم شده دست نزنید؛ چون بشدت داغ می شوند
- خروجی/نازل هوا را خیلی نزدیک به قطعه کاری نگیرید
- جریان هوای داغ را برای مدت طولانی روی یک سطح خاص نگیرید
- هرگز به داخل خروجی/نازل هوا نگاه نکنید
- از دستکش محافظ و عینک ایمنی استفاده کنید
- هرگز جریان هوای داغ را به سمت افراد یا حیوانات نگیرید
- هرگز از این ابزار برای خشک کردن موها استفاده نکنید
- ابزار را بدون سرپرستی رها نکنید
- هرگز از ابزار در مجاورت گازهای قابل اشتعال یا مواد قابل احتراق استفاده نکنید (خطر انفجار)
- هنگام کار با پلاستیک، رنگ، روغن جلا و مواد مشابه امکان دارد که گازهای قابل اشتعال و سمی تولید شود؛ از پیش درباره موادی که قرار است روی آنها کار شود اطلاعات کسب کنید
- دقت داشته باشید که امکان دارد گرما به مواد قابل احتراقی که در دیدرس نیستند منتقل شود
- برای حفظ ایمنی یک سطح آب یا کیسول آتش نشانی آماده داشته باشید تا در صورت آتش سوزی از آنها استفاده کنید
- جلوگیری از برق گرفتگی
- هرگز چیزی داخل خروجی/نازل هوا فرو نکنید
- از تماس بدن یا سطوح متصل به زمین با ارت دار (مانند لوله، رادیاتور، اجاق گاز، یخچال) اجتناب کنید
- دقت کنید ابزار هرگز خمیس نشود
- از ابزار در مکان های مرطوب استفاده نکنید
- اگر می خواهید از ابزار در فضای آزاد استفاده کنید، باید ابزار را حتماً با یک مدارشکن جریان خطا (FI) یا سقف حداکثر 30 میلی آمپر وصل کرده و فقط از سیم رابط هایی استفاده کنید که مخصوص فضای آزاد بوده و دارای پریز-اتصال ضد ریزش آب می باشند

- هنگام کار و دست زدن به سیم ابزار خیلی دقت کنید
- سیم ابزار را از جریان هوای داغ و مسیر خروجی/نازل هوا دور نگهدارید
- سیم ابزار را از گرما، روغن و لبه های تیز دور نگهدارید
- ابزار را با سیم آن حمل نکنید و برای جدا کردن سیم از پریز آنرا نکشید
- ابزار را از سیم آن آویزان نکنید
- هرگز از ابزار در مجاورت حلال های شیمیایی استفاده نکنید
- مطمئن شوید که فضای کار دارای تهویه مناسب باشد
- محیط کار باید تمیز و دارای روشنایی مناسب باشد
- هشدار باشید: به کاری که می کنید دقت کنید. از عقل سلیم خود استفاده کرده و در صورت احساس خستگی، کار را متوقف کنید
- بطرز مستحکمی بایستید؛ پیش از حد دست خود را دراز نکنید. بخصوص وقتی روی نردبان یا سکو هستید
- پیش از کنار گذاشتن ابزار مطمئن شوید که خاموش شده باشد
- در صورت بروز اشکالات برقی یا مکانیکی، فوراً ابزار را خاموش کرده و سیم برق آنرا از پریز بکشید

بعد از استفاده:

- ابزار را در وضعیت ایستاده به پشت قرار دهید
  - ابزار را خاموش کرده و دوشاخه را بکشید
  - قبل از اینکه ابزار را در جای نگهداری آن قرار دهید بگذارید برای حداقل 30 دقیقه خنک شود
  - ابزار را در فضای باز نگهداری/رها کنید
  - ابزار را در مکانی خشک و محفوظ، دور از دسترس کودکان نگهداری کنید
- شرح علائم و نمادهای روی ابزار**
- 1) پیش از کار حتماً دفترچه راهنما را مطالعه کنید
  - 2) عایق دوگانه (نیازی به سیم اتصال به زمین - ارت نیست)
  - 3) ابزار را همراه زباله های خانگی دور نیندازید

## استفاده

- کلید روشن/خاموش با تنظیم دما 1)
  - ! پیش از وصل کردن سیم ابزار به برق مطمئن شوید که کلید A 1) در وضعیت "0" باشد
  - ابزار را با فشار دادن کلید A به وضعیت مطلوب روشن کنید:
    - 0 = I ۵۰ درجه سانتیگراد ظرفیت هوادهی ۳۵۰ لیتر/دقیقه
    - II = ۴۵۰ درجه سانتیگراد ظرفیت هوادهی ۳۵۰ لیتر/دقیقه
    - III = ۶۰۰ درجه سانتیگراد ظرفیت هوادهی ۵۰۰ لیتر/دقیقه
    - 0 = I ۵۰ درجه سانتیگراد ظرفیت هوادهی ۲۵۰-۵۰۰ لیتر/دقیقه
    - II = ۵۰ درجه سانتیگراد ... ۶۵۰ درجه سانتیگراد ظرفیت هوادهی ۲۵۰-۵۰۰ لیتر/دقیقه
  - اگر برای بار اول است که از ابزار استفاده می کنید ممکن است کمی دود از آن خارج شود؛ این حالت طبیعی است و بزودی متوقف خواهد شد
  - ابزار را با فشار دادن کلید A به وضعیت "0" خاموش کنید
- تنظیم دما
  - ! دماهای نشان داده شده ترانس دارند
    - ۹۰۰،۵۰ سانتیگراد: حداکثر ۹۰ سانتیگراد
    - پایین تر از ۳۰۰ سانتیگراد: ۲۴±٪
    - بالتر از ۳۰۰ سانتیگراد: ۱۰±٪
  - برای انتخاب تنظیم دمای دلخواه از گردونه M استفاده کنید
  - از مین 1) بعنوان مرجع استفاده کنید
- ۸۰۴۰
  - با فشار دادن مختصر کلیدهای B می توانید دمای دلخواه را با پله های 1۰ درجه سانتیگراد تنظیم کنید
  - اگر کلیدهای B را بطور پیوسته فشار دهید، دمای هدف بطور پیوسته کاهش/افزایش می یابد تا اینکه کلیدها را رها کنید یا به دمای حداقل/حداکثر رسیده باشید
  - بعد از تنظیم دمای هدف، تا زمان رسیدن به دمای دلخواه پیکان های چشمک زن در نمایشگر D دیده خواهد شد (فقط در وضعیت "III")
  - دمای مورد نظر در حافظه ابزار ذخیره می گردد، بطوریکه ابزار بعد از هر بار روشن شدن تا آخرین دمای هدف انتخاب شده گرم خواهد شد
  - تنظیم فشارمختص هوادهی A 1) (۸۰۴۰)
    - با فشار دادن مختصر کلیدهای C می توانید ظرفیت هوادهی دلخواه را با گام های ۵۰ لیتر/دقیقه تنظیم کنید

## • التركيب بالتفليس (17)

- استخدم الفوهة العاكسة ل أو فوهة التخفيض K
- اختر أنبوب تم تركيبه بالتفليس بقطر يلامع قطر قطعة العمل
- قم بتسخين أنبوب تم تركيبه بالتفليس بالتساوي

مثال استخدام آخر:

## ★ التغليف بالتفليس

- خام السمكرة لأنابيب المياه (18)
- تعد هذه الأداة هي الأكثر ملائمة للعمل باستخدام سبائك خام لينة (نقطة الذوبان أقل من ٤٠٠ درجة)

- استخدم الفوهة العاكسة ل
- نكّف مقطعي الوصل بعناية قبل إجراء عملية اللحام
- قم بإجراء تسخين مسبق للمقطعين واستخدم سلك اللحام (لا تستخدم سلك خام سمكرة مصنوع من الرصاص)
- إزالة الجليد عن أنابيب المياه المنجمدة (19)
- استخدم الفوهة العاكسة ل
- سخن المنطقة المنجمدة بالتساوي

- ! عادة يصعب التعرف على أنابيب المياه وأنابيب الغاز: وأنابيب الغاز شديدة الخطورة - خطر الانفجار

أمثلة استخدام أخرى:

## ★ إزالة أنابيب المياه الصنوعة من مادة كلورايد البولي فينيل (PVC) (الوضع II،

بعد أقصى 1٠٠ درجة مئوية)

## ★ إزالة أقفال السيارات المنجمدة (الوضع II، بحد أقصى 1٠٠ درجة مئوية)

(استخدم فوهة التخفيض)

## ★ إزالة الثلوج عن صنابير التجميد (لا تلتف المبيت البلاستيكي)

## ★ إزالة ثلوج الدرجات والأصطفة بالثلج

## • تشكيل الأنابيب البلاستيكية

- استخدم الفوهة العاكسة ل

- قم بملء الأنابيب بالرمول واحكم غلغه بكلما الجانبين جنبًا لانشاء الأنبوب

- سخن الأنبوب بالتساوي عن طريق خركه من جانب للأخر

أمثلة استخدام أخرى:

## ★ تشكيل كل المواد البلاستيكية ذات نقطة إذابة منخفضة (بولي إيثيلين

وكلورايد البولي فينيل (PVC) وغيرها)

## ★ تشكيل كل المواد البلاستيكية ذات نقطة إذابة عالية (زجاج أكريليك وزجاج

بلكسي وغيرها)

## ★ تشكيل ونثي قطع السجاد المصنوعة من ألياف صناعية

## ★ تشكيل ونثي الخشب (بناء نماذج)

## • بلاستيكيات خام

- ذرّة اللحام يجب أن تكون نظيفة وخالية من الشحم

- احتفظ بفضيب اللحام بالقرب من ذرّة اللحام وقم بالسخن حتى يصبح

الفضيب لرقًا

- قم بإبعاد السخونة عندما تملئ ذرّة اللحام

أمثلة استخدام أخرى:

## ★ إصلاح لوحات التزلق على الأمواج ولإنتاج الجليد والنتجات الرياضية الصناعية

الأخرى (استخدم الفوهة المستديرة H)

## ★ خام مواد كلورايد البولي فينيل (PVC)

## ★ تلميس القروح بعد لصق ملصقات PVC

## ★ توصيل خراطيم الحديدية (استخدم الفوهة العاكسة ل)

## • التجفيف

! لا تقم بالتجفيف إلا بإبعاد درجة حرارة منخفض أو متوسط (الوضع I أو II)

ومع زيادة المساحة بين الأداة وقطعة العمل

- جفيف الطلاء والورنيش والجليس والملاط واللصقات

- جفيف الأخشاب المبللة قبل الحشو

- جفيف الحشوات ذات الطبقات السمكية أو اللزقة سريعًا

- جفيف وصلات البناء قبل رش العازل أو مانع التسرب

- جفيف الوصلات والشقوق في هياكل السفن

التنظيف/التطهير

- تطهير أفضاص الأرنب وأعشاش الحمام وغيرها (أخرج الحيوان الأليف أولاً)

- التخلص من مستعمرات النمل

- التخلص من بیدان الخشب والخنثب والمضجرة (امسك الأداة من على مسافة كافية من الخنثب)

- التخلص من الأعشاب الضارة

## الصيانة / الخدمة

- لم يتم تصميم هذه الأداة للاستخدام الاحترافي:
- يحظر نهائيًا استخدام سبائك قابلة للاشتعال لتنظيف المسدس الحراري عامة ومنفذ/فوهة الهواء خاصة
- احرص دائمًا على نظافة الأداة والسلك (وخصوصًا فتحات التهوية F ①):
- إذا تعذر تشغيل الأداة على الرغم من الحذر الشديد في إجراءات التصنيع والاختبار، فيجب القيام بالإصلاحات بواسطة مركز خدمة ما بعد البيع لأدوات الطاقة التابع لشركة SKIL:
- قم بإرسال الأداة دون تفكيكها بالإضافة إلى إثبات الشراء إلى البائع أو أقرب محطة خدمة SKIL (العناوين بالإضافة إلى مخطط الخدمة متاح على [www.skil.com](http://www.skil.com))
- كن على علم بأن التلف الناتج عن زيادة التحميل أو التعامل مع الأداة بطريقة خاطئة سيتم استثناءه من الضمان (المعرفة بشروط ضمان SKIL انظر [www.skil.com](http://www.skil.com) أو قم بسؤال بائع المعدات)

## البيئة المحيطة

- لا تتخلص من الأدوات الكهربائية والملحقات ومواد التغليف مع النفايات المنزلية (الدول الإخاد الأوروبي فقط):
- وفقًا للتوجيه الأوروبي EC/19/٢٠١٢ حول نفايات المعدات الكهربائية والإلكترونية وتطبيقه بالتوافق مع القانون المحلي، يجب جمع الأدوات الكهربائية منتهية الصلاحية بشكل منفصل وإرسالها إلى أحد منشآت إعادة التصنيع المتوافقة مع البيئة
- سيذكر الرمز ⑤ بهذا عند الحاجة إلى التخلص من أية أداة:

FA

## يت عن صن راوشس

## مقدمه

- ابن ايزار برای پاک کردن رنگ، فرم دهی و جوش دادن پلاستیک و گرم کردن لوله های قابل انقباض حرارتی طراحی شده است: ابن ايزار همجنين برای ليم كاری و قلع اندود کردن، مثل کردن اتصالات جسيديه و رفع يخ زدگی لوله های آب مناسب است
- ابن ايزار برای مصارف حرفه ای مناسب نيست
- لطفاً ابن دفترچه راهنما را مطالعه کرده و نگهداريد ③

## اطلاعات فنی ①

### اجزای ايزار ②

- A کلید روشن/خاموش
- B کلیدهای تنظیم دما (٠-٤٠)
- C کلیدهای تنظیم ظرفیت هوادمی (٠-٤٠٨)
- D نمایشگر (DCL) (٠-٤٠٨)
- E حلقه آزاد کننده نازل
- F شیارهای تهویه
- G نازل محافظ شیشه
- H نازل گرد
- J نازل بازتابی
- K نازل کامنده
- L خروجی/نازل هوا
- M گردونه (٠-٢٠٨)
- N دکمه ذخیره حافظه (٠-٤٠٨)
- P دکمه انتخاب حافظه (٠-٤٠٨)

## ایمنی

- **کودکان ٨ ساله و بزرگتر و افرادی که محدودیت های فیزیکی، حساسی یا ذهنی داشته یا فاقد تجربه یا دانش هستند بشترطی می**

٨٠٢٠

- I = ٥٠ درجة مئوية، تدفق الهواء ٣٥٠ لتر/دقيقة
- II = ٤٥٠ درجة مئوية، تدفق الهواء ٣٥٠ لتر/دقيقة
- III = ٦٠٠ درجة مئوية، تدفق الهواء ٥٠٠ لتر/دقيقة

٨٠٤٠

- I = ٥٠ درجة مئوية + تدفق الهواء ٢٥٠-٥٠٠ لتر/دقيقة
- II = ٥٠ إلى ١٥٠ درجة مئوية، تدفق الهواء ٢٥٠-٥٠٠ لتر/دقيقة
- عند استخدام الأداة لأول مرة، قد ينبعث منها دخان. ويعتبر ذلك أمرًا طبيعيًا وسيتوقف قريبًا
- أوقف تشغيل الأداة من خلال دفع المفتاح A في الوضع "0"
- إعداد الحرارة
- ! **ثمة تفاوت في درجات الحرارة المشار إليها**
- ٩٠...٥٠ درجة مئوية: بعد أقصى ٩٠ درجة مئوية
- أقل من ٣٠ درجة مئوية:  $\pm 2.0$
- أكثر من ٣٠ درجة مئوية:  $\pm 1.0$

٨٠٢٠

- استخدم العجلة القرصية M لتحديد إعداد درجة الحرارة المرغوب
- استخدم الجدول ① كمرجع

٨٠٤٠

- اضبط درجة الحرارة المستهدفة المطلوبة تدريجيًا على ١٠ درجة مئوية بالضبط على المفاتيح B لفترة قصيرة
- يؤدي الضغط على الأزرار B باستمرار إلى زيادة/انخفاض درجة الحرارة المستهدفة باستمرار حتى يتم خبز الأزرار أو الوصول للحد الأدنى/الأقصى لدرجة الحرارة
- بعد ضبط درجة الحرارة المستهدفة، تعرض الشاشة D أسهمًا واضحة حتى يتم الوصول إلى درجة الحرارة المطلوبة في الوضع "III" (فقط)
- سيتم تخزين درجة الحرارة المستهدفة في ذاكرة الأداة. بحيث في كل مرة يتم فيها تشغيل الأداة ترتفع حرارتها إلى آخر درجة حرارة مستهدفة محددة
- إعداد تدفق الهواء (A) (٨٠٤٠)
- اضبط تدفق الهواء المطلوب تدريجيًا على ٥٠ لتر/دقيقة بالضغط على الأزرار C لفترة قصيرة
- تعرض الشاشة D إعداد تدفق الهواء الفعلي في مخطط بياني
- إعداد الذاكرة (A) (٨٠٤٠)
- لتحديد أحد إعدادات الذاكرة الأربعة المخزنة، اضغط على الزر P
- لتخزين إعداد درجة الحرارة وتدفق الهواء، اضغط على الزر P لتحديد موقع الذاكرة، وقم بتعيين درجة الحرارة المطلوبة وتدفق الهواء المطلوب، واضغط مع الاستمرار على زر N لتخزين الإعداد
- الاستخدام العام
- حدد درجة الحرارة المناسبة من خلال اختبار جزء غير ظاهر من قطعة العمل إبدأ بإعداد درجة الحرارة المنخفض
- تخفض درجة الحرارة بزيادة المسافة بين منفذ/فوهة الهواء وقطعة العمل
- تتوقف درجة الحرارة المطلوبة على المادة التي يتم العمل بها
- الاستخدام الثابت
- ضع الأداة على الجزء الخلفي منها في وضع رأسي
- تأكد من نظافة السطح وخلوه من الغبار، حيث أن الهواء الملوث يتسبب في تلف الحرك
- تأكد من توجيه تدفق الهواء بعيدًا عنك
- قم بتأمين السلك للحيلولة دون تدمير الأداة
- لا تلمس منفذ/فوهة الهواء
- تأكد من عدم سقوط أي شيء في منفذ/فوهة الهواء
- امسك الأداة بعناية بيد واحدة وفي الوقت نفسه أوقف تشغيلها باليد الأخرى ثم تركها تبرد
- إمساك الأداة وتوجيهها ②
- امسك الأداة بيد واحدة
- احرص على أن تكون فتحات التهوية F ① غير مغطاة:
- ملحقات قياسية ①
- فوهة الحماية الزجاجية G (لتغيير اتجاه تدفق الهواء)
- فوهة دائرية H (تركيز تدفق الهواء)
- الفوهة العاكسة L (بعكس تدفق الهواء)
- فوهة التخفيف K (تركيز تدفق الهواء)

ملحقات:

- يمكن إجراء كل أمثلة الاستخدامات (باستثناء إزالة الطلاء الجاور للزجاج) بدون ملحقات ومع ذلك فإن استخدام ملحق ملائم يبسر العمل ويحسن جودة النتائج بدرجة كبيرة

- كما يمكن استخدام هذه الأداة مع الملحقات المتاحة بشكل شائع للمسدسات الحرارية
- تركيب/إزالة ملحقات
- تركيب الملحق ببساطة على منفذ الهواء L ①
- فك الملحق عن طريق سحبه للخارج نحو المقعدة بعدما يبرد
- ! لا تقم بتركيب أي ملحق إلا ومنفذ الهواء بارداً وحين يكون المفتاح في الوضع "0" والقياس مفضلاً.
- استخدم حلقة خبز الفوهة E لإزالة الفوهات الساخنة بسهولة ②
- حكّم دائم في السخونة (الحماية من فرط التحميل)
- يحمي عنصر التسخين من التلف عندما تعترض الأداة لفرط التحميل بدون الاضطرار إلى إيقافها وأو تركها تبرد لفترة من الزمن
- عندما ترتفع درجة الحرارة للغاية على نحو زائد، يتوقف تشغيل عنصر التسخين ذاتيًا، بينما يستمر دوران المحرك وإنتاج الهواء البارد
- وعندما تنخفض درجة الحرارة بالقدر الكافي (لا يستغرق الأمر سوى ثواني قليلة)، سيعمل عنصر التسخين تلقائيًا
- ! عند إيقاف تشغيل الأداة بعد العمل بإعداد درجة حرارة مرتفعة وتشغيلها مرة أخرى بعد فترة توقف قصيرة، قد يستغرق الأمر بعض الوقت حتى يصل عنصر التسخين إلى درجة الحرارة المطلوبة

## توصيات الاستخدام

- إزالة الطلاء/الورنيش ③
- استخدم كاشطة نظيفة وحادة
- قم بالكشط باستمرار والطلاء ليثًا
- جرب لتحديد الفترة الزمنية اللازمة لاستخدام الحرارة للحصول على نتائج مثالية
- اكشط الطلاء اللين فورًا، وإلا فسيصلب مرة أخرى
- حافظ على زاوية من ٣٠ إلى ٤٠ درجة بين الأداة وقطعة العمل
- توخ الحذر عند إزالة طبقات الطلاء في البنائيات القديمة فرما قد تم مسبقًا
- اكشط باستخدام حبيبات الخشب حيثما أمكن
- لا توجه تدفق الهواء الساخن نحو نفس السطح لمدة طويلة للغاية
- تخلص من جميع مخلفات الطلاء على نحو آمن
- نظّف منطقة العمل بعناية بعد إتمام المهمة
- ! توخ الحذر عند إزالة طبقات الطلاء في البنائيات القديمة فرما قد تم مسبقًا
- طلاء النهاية بطلاء يحتوي على رصاص وهي مادة عالية السمية.
- ! التعرض للرصاص حتى وإن كان ذلك بمستويات منخفضة قد يسبب تلف خطير في المخ والجهاز العصبي، ويعد الأطفال الصغار والأجنة هم الأكثر حساسية له بوجه خاص.
- ! استعن بحرف لإزالة الطلاء الذي أساسه الرصاص بدون استخدام أي مسدس حراري

مثال استخدام آخر:

- ★ إزالة غطاء الحائط (التركيب)
- إزالة الطلاء/الورنيش الجاور للزجاج ④
- استخدم دائمًا فوهة الحماية الزجاجية G عند العمل بجوار الزجاج
- قم بإزالة الطلاء بواسطة كاشطة يدوية
- ! لا تستخدم الأداة لإزالة طلاء موجود على نوافذ ذات إطارات معدنية، فالعدن موصل للحرارة مما قد يؤدي إلى كسر الزجاج
- إزالة المصقات (استخدم الفوهة المستديرة ⑤ H)
- معظم المصقات تصبح أكثر ليونة عند تسخينها، بما يتيح فصل مواد اللصق السميكة وإزالة اللصق الفائض
- ! قم بتسخين المصق على الجانب العلوي
- ! احرص دائمًا على ألا تعترض السطح الأساسي لسخونة مفرطة

أمثلة استخدام أخرى:

- ★ إزالة بساط الفينيل ومشمعات فرش الأرض
- ★ إزالة قطع السجاد المصنوعة من الألياف الصناعية
- ★ إزالة الكسوات الخشبية/تركيب ألواح كسوة أرضية خشبية
- ★ تلمين/إزالة القار والقصدير والشمع والشمع (استخدم الفوهة المستديرة H)
- ★ التشميع (الزجاج والأثاث) استخدم فوهة الحماية الزجاجية ⑥ G
- ★ إزالة الراتنج
- ★ فكّ البراغي والشموع والمواد السامية المعدنية الصلدة/المثبتة بإحكام بالغ
- ★ إزالة شمع الصمغ (لا تضرب في تسخين السطح الأساسي)
- ★ إصلاح الشموع المكسورة/إعادة الشموع المنحنية إلى شكلها الأصلي

## يراجل اسدسمل

### مقدمة

- تم تصميم هذه الأداة لإزالة الطلاء وتشكيل ولحام البلاستيك وتسخين الأنابيب القابلة للتقليص بالحرارة كما تعتبر الأداة ملائمة كذلك للحام السمكرة والقصديره وفكّ الوصلات المتلاصقة وإذابة الجليد عن أنابيب المياه
- لم يتم تصميم هذه الأداة للاستخدام الاحترافي:
- أقرأ دليل التعليمات هذا واحتفظ به (٣)

### البيانات الفنية ①

#### مكونات الأداة ②

- تأكد دائمًا من أن الفولت المزود هو نفسه المشار اليه على اللوحة الخاصة بالأداة
- تأكد من إيقاف تشغيل الأداة عند التوصيل
- أثناء الاستخدام:
- تعامل مع الأداة بعناية وأبعدوا عن النار والحروق
- لا تلمس منفذ فوهة الهواء والجسم المتسخن فكل منها يصبح شديد السخونة
- لا تمسك بمنفذ فوهة الهواء على مقربة شديدة من الجسم الذي يتم العمل به
- لا توجه تدفق الهواء الساخن نحو نفس السطح لمدة طويلة للغاية
- يُحظر نهائيًا خفض نظرك إلى منفذ فوهة الهواء
- ارتد قفازات واقية واستخدم نظارات الأمان
- يُحظر نهائيًا توجيه تدفق الهواء الساخن نحو الأشخاص أو الحيوانات
- يُحظر نهائيًا استخدام الأداة لتجفيف الشعر
- لا تترك الأداة بدون مراقبة
- يُحظر نهائيًا استخدام الأداة على مقربة من الغازات سريعة الاشتعال أو المواد القابلة للاشتعال (خطر الانفجار)
- عند العمل باستخدام البلاستيك والطلاء والورنيش والمواد المشابهة فقد تنتج غازات سامة سريعة الاشتعال فعليك التعرف مسبقًا على المواد التي ستعمل بها
- ضع في حسابك أن الحرارة قد تحوّل إلى مواد قابلة للاشتعال خارج مرمى البصر
- لتكون في جانب الأمان احتفظ بدلو ماء أو طفاية حريق في متناول يدك. في حالة اشتعال أي مادة
- الحماية من الصدمات الكهربائية
- يُحظر نهائيًا دفع أي شيء بمنفذ فوهة الهواء
- تجنب ملامسة الجسد لأسطح مؤرضة (مثل الأنابيب والراياتيرات والأفران والنلاجيات)
- تأكد من عدم ابتلال الأداة
- لا تستخدم الأداة في أماكن رطبة
- عند استخدام الأداة في مناطق مفتوحة. قم بتوصيل الأداة عبر قاطع تيار دائرة القصر (FI) باستخدام تيار بدء الإشعال مقداره ٣٠ مللي أمبير بحد أقصى. ولا تستخدم إلا سلك التصميد المُخصص للاستخدام في المناطق المفتوحة والمزود بمقبس وصل مقاوم للرش
- التعامل بعناية مع السلك
- حافظ دومًا على بقاء السلك بعيدًا عن تدفق الهواء الساخن ومنفذ فوهة الهواء
- احتفظ بالسلك بعيدًا عن الحرارة والزيت والحواف الحادة
- لا تخمل الأداة من السلك. ولا تنزع السلك لفصله من المقبس
- لا تعلق الأداة من السلك
- يُحظر نهائيًا استخدام الأداة مع مذبذبات كيميائية
- تأكد من تهوية منطقة العمل كما ينبغي
- حافظ على نظافة منطقة العمل وإضاءتها على نحو جيد
- ابق منتهي وراعي ما تقوم به واستعن بإدراكك السليم ولا تقم بتشغيل الأداة وأنت مجهد.
- اتخذ مسافة أمان ولا تحاول بلوغ نقاط بعيدة عنك خاصة على السلالم والدرجات
- تأكد من إيقاف تشغيل الأداة قبل وضعها جانبًا
- في حالة حدوث خلل كهربائي أو ميكانيكي أوقف تشغيل الأداة فورًا وافصل القابس:

#### أمان

#### معلومات عامة

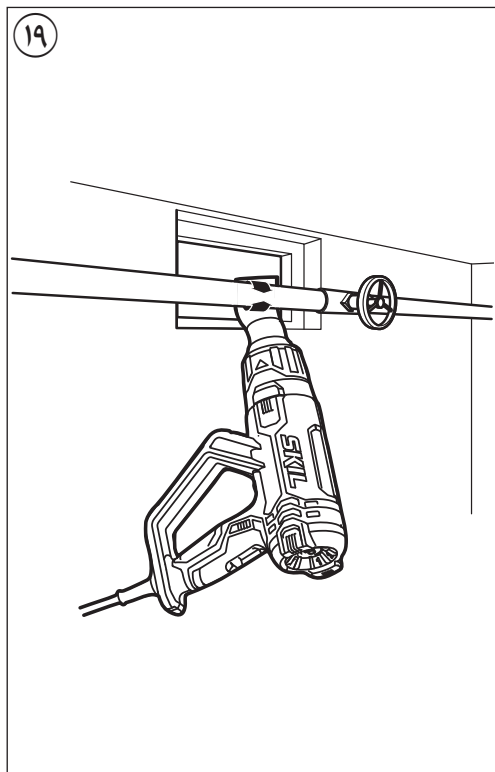
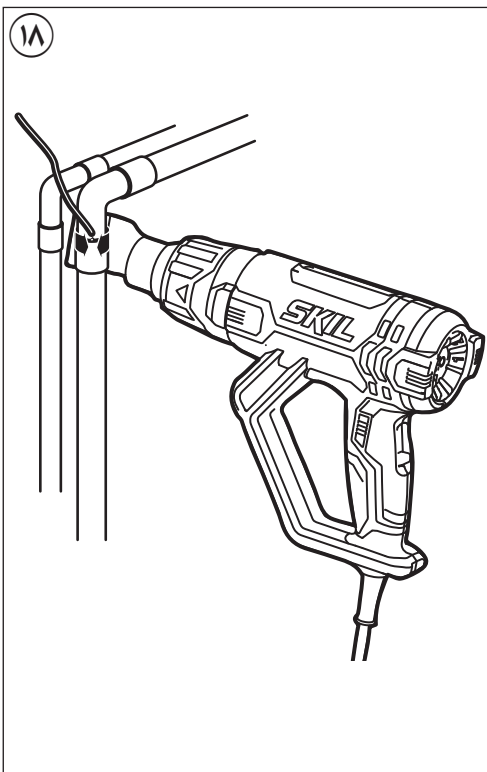
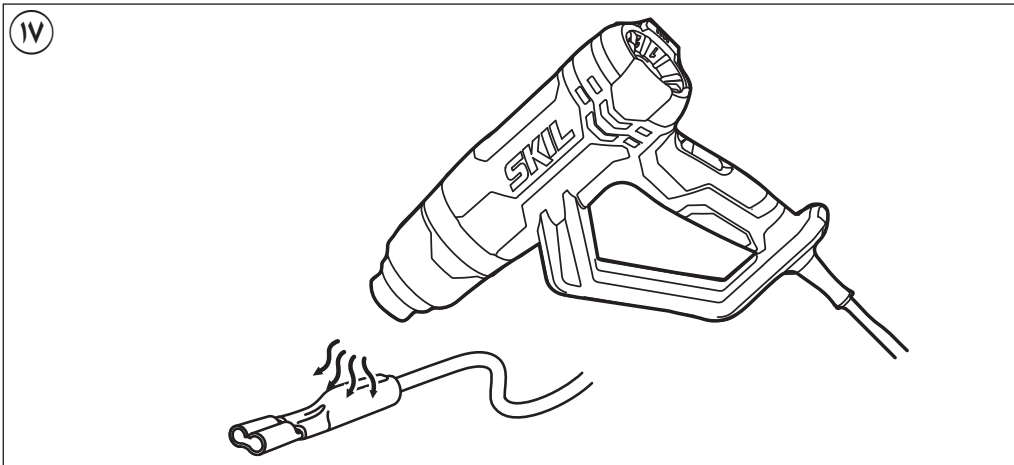
- يمكن استخدام هذه الأداة بواسطة الأطفال من سن ٨ وما فوق ذوي القدرات البدنية أو الحسية أو العقلية المنخفضة أو محدودى الخبرة والمعرفة في حالة وجود فرد مسئول عن سلامتهم يقوم بالإشراف عليهم أو قام بإرشادهم إلى كيفية التشغيل الآمن للأداة والتأكد من استيعابهم للمخاطر المترتبة (وإلا فسيكون هناك خطر حدوث أخطاء في التشغيل والتعرض للإصابة)
- يجب الإشراف على الأطفال (سيضمن هذا عدم قيام الأطفال باللعب بالأداة)
- يجب ألا يقوم الأطفال بالتنظيف أو أداء صيانة المستخدم على الأداة بدون إشراف:

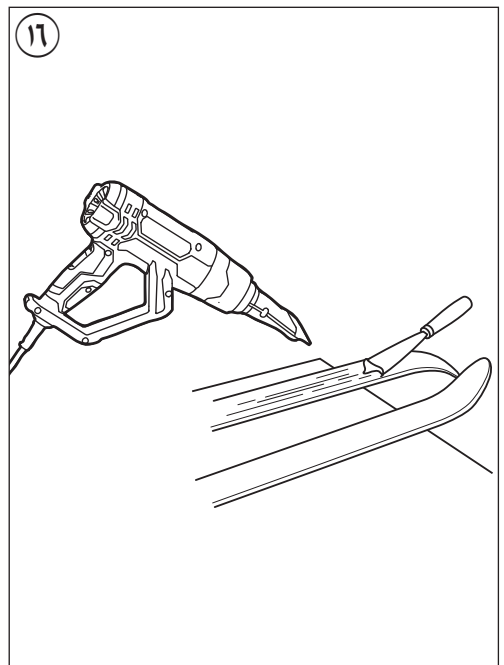
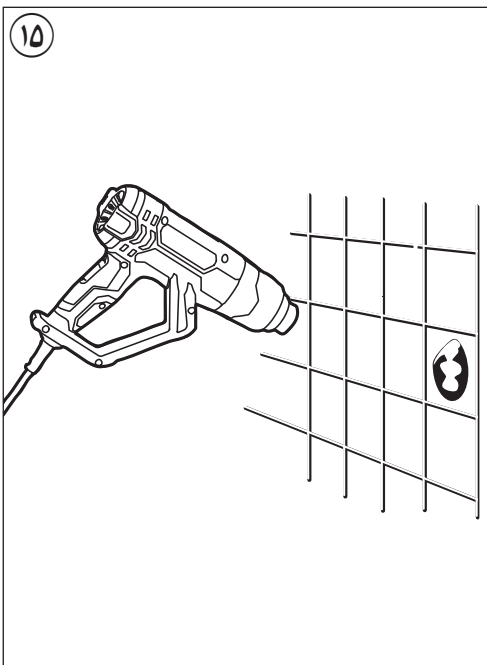
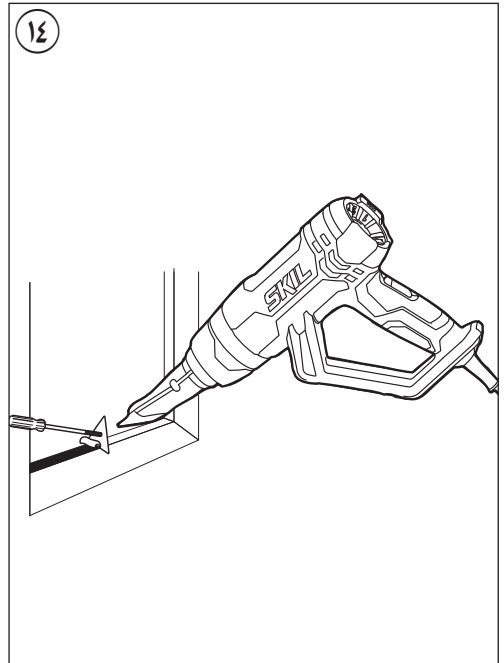
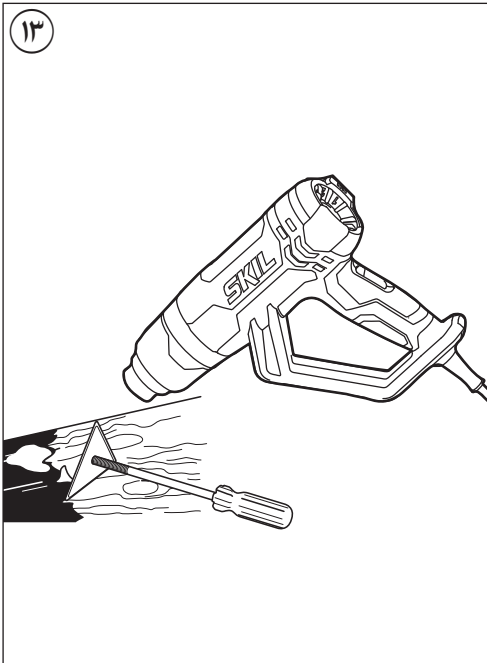
#### قبل الاستخدام:

- تحقق من وظيفة الأداة قبل كل استخدام. وفي حالة وجود عطل. فقم على الفور بإصلاحها على يد أحد المؤهلين ويُحظر نهائيًا فتح الأداة بنفسك
- افحص سلك الأداة ومقبسها قبل كل استخدام وإذا كان هناك تلف. فقم باستبدالهم على يد أحد المؤهلين
- استخدم أسلاك تمديد مفكوكة تمامًا وأمنة سعة ١٦ أمبير (١٦ أمبير في بريطانيا العظمى)
- تجنب تمامًا استخدام الأداة عند تلف السلك؛ فيجب استبداله من قبل الشركة المصنعة. أو وكيل الخدمة الخاص بها أو الأشخاص المؤهلين بشكل مائل لتجنب أي خطر
- استخدم الأداة وملحقاتها وفقًا لدليل التعليمات هذا وعلى النحو المعد للأداة فقد يؤدي استخدام الأداة لعمليات تختلف عن تلك العمليات المتوقع إجرائها عادة بالأداة إلى حالة خطر

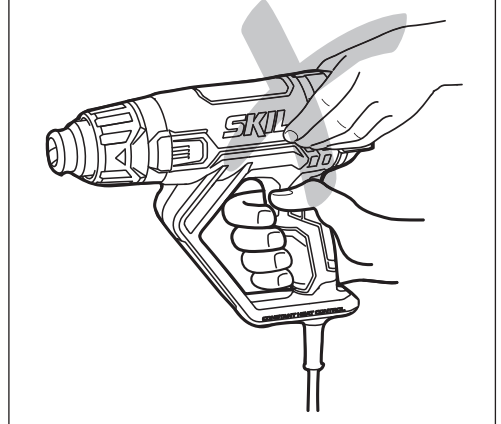
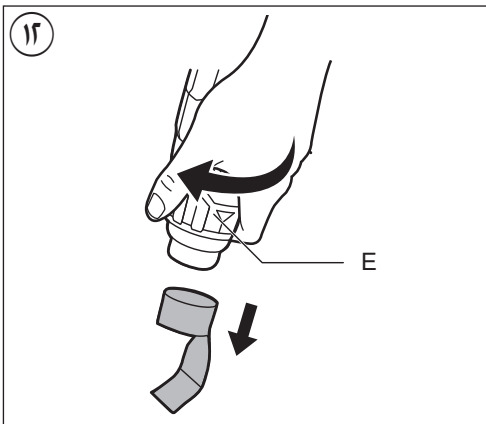
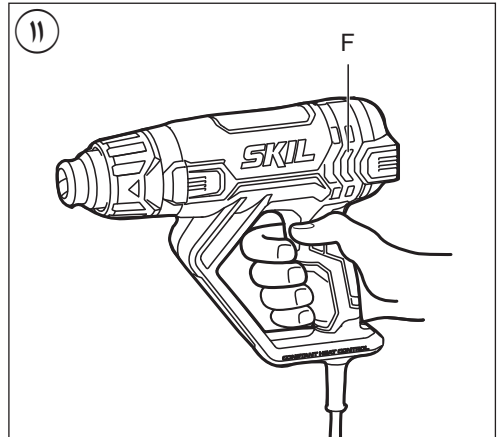
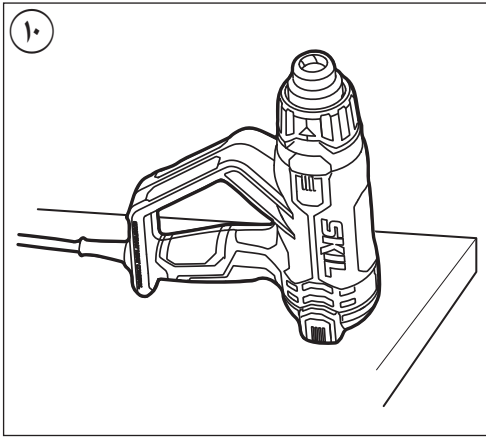
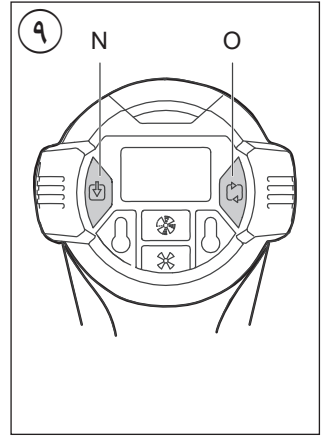
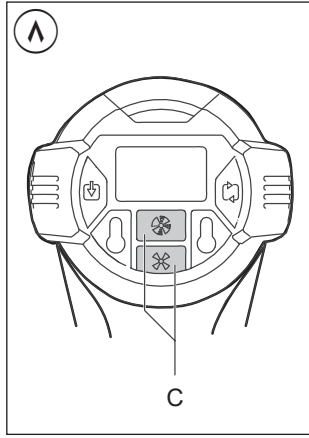
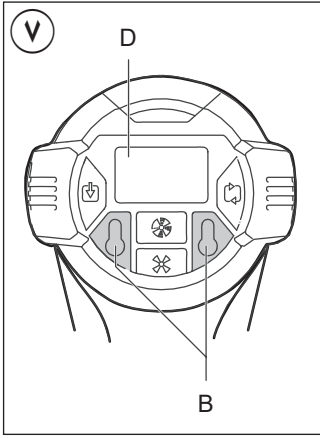
#### الاستخدام

- مفتاح تشغيل/إيقاف مع ضبط درجة الحرارة ①
- ! تأكد من أن المفتاح A ① في الوضع "٠" قبل التوصيل
- قم بتشغيل الأداة من خلال دفع المفتاح A إلى الوضع المطلوب:









1

**8020**

		I	II	III
		ltr/min 200	ltr/min 200	ltr/min 000
	1	C° 00	C° 00	C° 110
	2		C° 110	C° 100
	3		C° 180	C° 200
	4		C° 200	C° 200
	5		C° 200	C° 400
	6		C° 280	C° 000
	7		C° 400	C° 600

**8040**

C° 00  
 ltr/min 000-200

C° 60 - C° 00  
 ltr/min 000-200

**1** **8020**

**2000**  
Watt

**0,8 kg**

**350 - 500**  
l/min

**50°C**  
**600°C**

**220**  
**240**  
V~  
50-60 Hz

**8040**

**2000**  
Watt

**0,8 kg**

**250 - 500**  
l/min

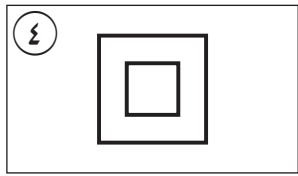
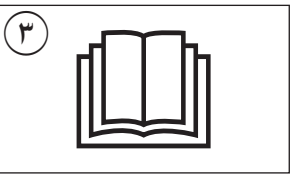
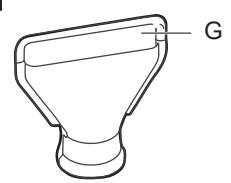
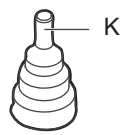
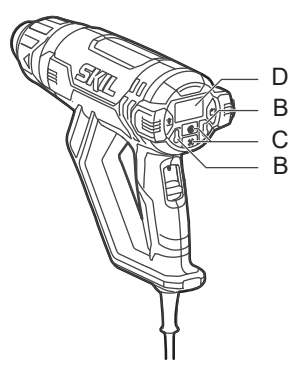
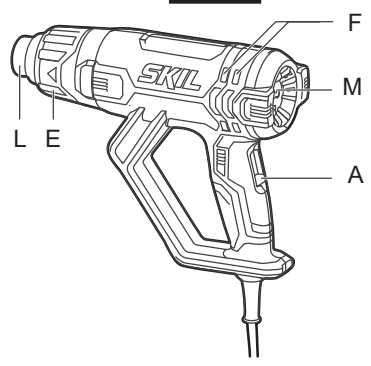
**50°C**  
**650°C**

**220**  
**240**  
V~  
50-60 Hz

**2**

**8020**

**8040**



المسدس الحراري

8020

8040

**SKIL®**



دليل الاستعمال

AR

راهنمای اصلي

FA

