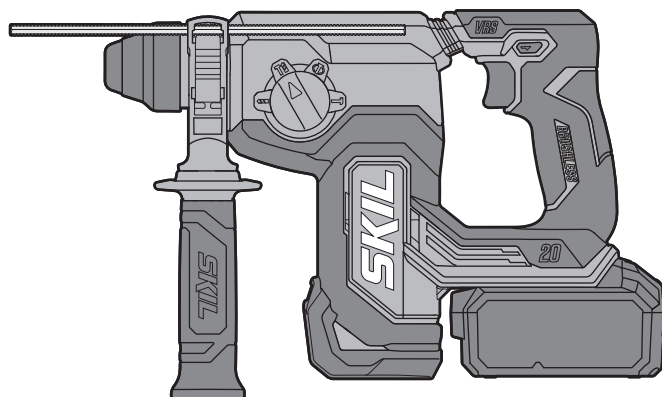


# SKIL®

## BRUSHLESS CORDLESS ROTARY HAMMER 3851 (RH1\*3851\*\*)



<b>GB</b>	ORIGINAL INSTRUCTIONS	10	<b>UA</b>	ОРИГІНАЛЬНА ІНСТРУКЦІЯ З ЕКСПЛУАТАЦІЇ	77
<b>F</b>	NOTICE ORIGINALE	13	<b>GR</b>	ΠΡΩΤΟΤΥΠΟ ΟΔΗΓΙΩΝ ΧΡΗΣΗΣ	82
<b>D</b>	ORIGINALBETRIEBSANLEITUNG	18	<b>RO</b>	INSTRUCȚIUNI DE FOLOSIRE ORIGINALE	86
<b>NL</b>	ORIGINELE GEBRUIKSAANWIJZING	22	<b>BG</b>	ОРИГИНАЛНО РЪКОВОДСТВО ЗА ЕКСПЛОАТАЦИЯ	91
<b>S</b>	BRUKSANVISNING I ORIGINAL	27	<b>SK</b>	PŮVODNÝ NÁVOD NA POUŽITIE	95
<b>DK</b>	ORIGINAL BRUGSANVISNING	31	<b>HR</b>	ORIGINALNE UPUTE ZA RAD	99
<b>N</b>	ORIGINAL BRUKSANVISNING	34	<b>SRB</b>	ORIGINALNO UPUTSTVO ZA RAD	103
<b>FIN</b>	ALKUPERÄISET OHJEET	38	<b>SLO</b>	IZVIRNA NAVODILA	107
<b>E</b>	MANUAL ORIGINAL	42	<b>EST</b>	ALGUPÄRANE KASUTUSJUHEND	111
<b>P</b>	MANUAL ORIGINAL	46	<b>LV</b>	ORIĢINĀLĀ LIETOŠANAS PAMĀCĪBA	115
<b>I</b>	ISTRUZIONI ORIGINALI	51	<b>LT</b>	ORIGINALI INSTRUKCIJA	119
<b>H</b>	EREDETI HASZNÁLATI UTASÍTÁS	55	<b>MK</b>	ИЗВОРНО УПАТСТВО ЗА РАБОТА	123
<b>CZ</b>	PŮVODNÍM NÁVODEM K POUŽÍVÁNÍ	59	<b>AL</b>	UDHËZIMET ORIGJINALE	128
<b>TR</b>	ORIJINAL İŞLETME TALİMATI	63	<b>AR</b>	دليل الاستعمال	142
<b>PL</b>	INSTRUKCJA ORYGINALNA	67	<b>FA</b>	راهنمای اصلی	140
<b>RU</b>	ПОДЛИННИК РУКОВОДСТВА ПО ЭКСПЛУАТАЦИИ	72			



**EAC**






[www.skil.com](http://www.skil.com)



<b>GB</b>	<b>EU Declaration of conformity</b>		We declare under our sole responsibility that the stated products comply with all applicable provisions of the directives and regulations listed below and are in conformity with the following standards. Technical file at: ★
	<b>Cordless rotary hammer</b>	Article number	
<b>F</b>	<b>Déclaration de conformité UE</b>		Nous déclarons sous notre propre responsabilité que les produits décrits sont en conformité avec les directives, règlements normatifs et normes énumérés ci-dessous. Dossier technique auprès de: ★
	<b>Marteau perforateur sans fil</b>	Numéro d'article	
<b>D</b>	<b>EU-Konformitätserklärung</b>		Wir erklären in alleiniger Verantwortung, dass die genannten Produkte allen einschlägigen Bestimmungen der nachfolgend aufgeführten Richtlinien und Verordnungen entsprechen und mit folgenden Normen übereinstimmen. Technische Unterlagen bei: ★
	<b>Akku-Bohrhammer</b>	Sachnummer	
<b>NL</b>	<b>EU-conformiteitsverklaring</b>		Wij verklaren op eigen verantwoordelijkheid dat de genoemde producten voldoen aan alle desbetreffende bepalingen van de hierna genoemde richtlijnen en verordeningen en overeenstemmen met de volgende normen. Technisch dossier bij: ★
	<b>Oplaadbare boorhamer</b>	Productnummer	
<b>S</b>	<b>EU-konformitetsförklaring</b>		Vi förklarar under eget ansvar att de nämnda produkterna uppfyller kraven i alla gällande bestämmelser i de nedan angivna direktiven och förordningarnas och att de stämmer överens med följande normer. Teknisk dokumentation: ★
	<b>Sladdlös borrhammare</b>	Produktnummer	
<b>DK</b>	<b>EU-overensstemmelseserklæring</b>		Vi erklærer som eneansvarlige, at det beskrevne produkt er i overensstemmelse med alle gældende bestemmelser i følgende direktiver og forordninger og opfylder følgende standarder. Tekniske bilag ved: ★
	<b>Batteridrevet borehammer</b>	Typenummer	
<b>N</b>	<b>EU-samsvarserklæring</b>		Vi erklærer under eneansvar at de nevnte produktene er i overensstemmelse med alle relevante bestemmelser i direktivene og forordningene nedenfor og med følgende standarder. Teknisk dokumentasjon hos: ★
	<b>Batteridrevet borhammer</b>	Produktnummer	
<b>FIN</b>	<b>EU-vaatimustenmukaisuusvakuutus</b>		Vakuutamme täten, että mainitut tuotteet vastaavat kaikkia seuraavien direktiivien ja asetusten asiaankuuluvia vaatimuksia ja ovat seuraavien standardien vaatimusten mukaisia. Tekniset asiakirjat saatavana: ★
	<b>Akkuporavasara</b>	Tuotenumero	
<b>E</b>	<b>Declaración de conformidad UE</b>		Declaramos bajo nuestra exclusiva responsabilidad, que los productos nombrados cumplen con todas las disposiciones correspondientes de las directivas y los reglamentos mencionados a continuación y están en conformidad con las siguientes normas. Documentos técnicos de: ★
	<b>Martillo perforador inalámbrico</b>	Número de artículo	
<b>P</b>	<b>Declaração de conformidade CE</b>		Declaramos sob nossa exclusiva responsabilidade que os produtos mencionados cumprem todas as disposições e os regulamentos indicados e estão em conformidade com as seguintes normas. Documentação técnica pertencente à: ★
	<b>Martelo rotativo sem fios</b>	Número do produto	
<b>I</b>	<b>Dichiarazione di conformità UE</b>		Dichiariamo sotto la nostra piena responsabilità che i prodotti indicati sono conformi a tutte le disposizioni pertinenti delle direttive e dei regolamenti elencati di seguito, nonché alle seguenti normative. Documentazione tecnica presso: ★
	<b>Martello perforatore cordless</b>	Codice prodotto	
<b>H</b>	<b>EU konformitási nyilatkozat</b>		Egyedüli felelőséggel kijelentjük, hogy a megnevezett termékek megfelelnek az alábbiakban felsorolásra kerülő irányelvek és rendeletek valamennyi idevágó előírásainak és megfelelnek a következő szabványoknak. Műszaki dokumentumok megőrzési pontja: ★
	<b>Akkumulátoros fúrókalapács</b>	Cikkszám	
<b>CZ</b>	<b>EU prohlášení o shodě</b>		Prohlašujeme na výhradní zodpovědnost, že uvedený výrobek splňuje všechna příslušná ustanovení níže uvedených směrnic a nařízení a je v souladu s následujícími normami. Technické podklady u: ★
	<b>Bezdrátové vrtací kladivo</b>	Objednací číslo	
<b>TR</b>	<b>AB Uygunluk beyanı</b>		Tek sorumlu olarak, tanımlanan ürünün aşağıdaki yönetmelik ve direktiflerin geçerli bütün hükümlerine ve aşağıdaki standartlara uygun olduğunu beyan ederiz. Teknik belgelerin bulunduğu yer: ★
	<b>Akülü kırıcı-delici</b>	Ürün kodu	
<b>PL</b>	<b>Deklaracja zgodności UE</b>		Oświadczamy z pełną odpowiedzialnością, że niniejsze produkty odpowiadają wszystkim wymaganiom poniżej wyszczególnionych dyrektyw i rozporządzeń, oraz że są zgodne z następującymi normami. Dokumentacja techniczna: ★
	<b>Młotowiertarka akumulatorowa</b>	Numer katalogowy	
<b>RU</b>	<b>Заявление о соответствии ЕС</b>		Мы заявляем под нашу единоличную ответственность, что названные продукты соответствуют всем действующим предписаниям нижеуказанных директив и распоряжений, а также нижеуказанных норм. Техническая документация хранится у: ★
	<b>Акумуляторный перфоратор</b>	Товарный номер	
<b>UA</b>	<b>Заява про відповідність ЄС</b>		Ми заявляємо під нашу одноособову відповідальність, що названі вироби відповідають усім чинним положенням нижчеозначених директив і розпоряджень, а також нижчеозначеним нормам. Технічна документація зберігається у: ★
	<b>Бездротовий перфоратор</b>	Товарний номер	

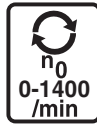
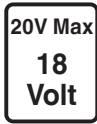
<b>GR</b>	<b>Δήλωση πιστότητας EE</b> <b>Επαναφορτιζόμενο περιστροφικό πιστολέτο</b>	Αριθμός ευρετηρίου	Δηλώνουμε με αποκλειστική μας ευθύνη, ότι τα αναφερόμενα προϊόντα αντιστοιχούν σε όλες τις σχετικές διατάξεις των πιο κάτω αναφερόμενων οδηγιών και κανονισμών και ταυτίζονται με τα ακόλουθα πρότυπα. Τεχνικά έγγραφα στη: *
<b>RO</b>	<b>Declarație de conformitate UE</b> <b>Ciocan rotorpercutor fără fir</b>	Număr de identificare	Declarăm pe proprie răspundere că produsele menționate corespund tuturor dispozițiilor relevante ale directivelor și reglementărilor enumerate în cele ce urmează și sunt în conformitate cu următoarele standarde. Documentație tehnică la: *
<b>BG</b>	<b>ЕС декларация за съответствие</b> <b>Безжичен перфоратор</b>	Каталожен номер	С пълна отговорност ние декларираме, че посочените продукти отговарят на всички валидни изисквания на директивите и разпоредбите по-долу и съответства на следните стандарти. Техническа документация при: *
<b>SK</b>	<b>EU vyhlásenie o zhode</b> <b>Akumulátorové vrtacie kladivo</b>	Vecné číslo	Vyhlasujeme na výhradnú zodpovednosť, že uvedený výrobok spĺňa všetky príslušné ustanovenia nižšie uvedených smerníc a nariadení a je v súlade s nasledujúcimi normami. Technické podklady má spoločnosť: *
<b>HR</b>	<b>EU izjava o sukladnosti</b> <b>Okretni bežični čekić</b>	Kataloški broj	Pod punom odgovornošću izjavljujemo da navedeni proizvođači odgovaraju svim relevantnim odredbama direktiva i propisima navedenima u nastavku i da su sukladni sa sljedećim normama. Tehnička dokumentacija se može dobiti kod: *
<b>SRB</b>	<b>EU-izjava o usaglašenosti</b> <b>Rotacioni čekić bez kabla</b>	Broj predmeta	Na sopstvenu odgovornost izjavljujemo, da navedeni proizvođači odgovaraju svim dotičnim odredbama naknadno navedenih smernica u uredbama i da su u skladu sa sledećim standardima. Tehnička dokumentacija kod: *
<b>SLO</b>	<b>Izjava o skladnosti ES</b> <b>Akumulatorsko vrtalno kladivo</b>	Številka artikla	Izjavljamo pod izključno odgovornostjo, da je omenjen izdelek v skladu z vsemi relevantnimi določili direktiv in uredb ter ustreza naslednjim standardom. Tehnična dokumentacija pri: *
<b>EST</b>	<b>EL-vastavusdeklaratsioon</b> <b>Akutoitega puurvasar</b>	Tootenumber	Kinnitame ainuvastutajatena, et nimetatud tooted vastavad järgnevalt loetletud direktiivide ja määruste kõikidele asjaomastele nõuetele ja on kooskõlas järgmistele normidega. Tehnilised dokumendid saadaval: *
<b>LV</b>	<b>Deklarācija par atbilstību EK standartiem</b> <b>Akumulatora rotācijas triecienurbis</b>	Izstrādājuma numurs	Mēs ar pilnu atbildību paziņojam, ka šeit aplūkotie izstrādājumi atbilst visiem tālāk minētajās direktīvās un rīkojumos ietvertajām saistošajām nostādņēm, kā arī sekojošiem standartiem. Tehnisķā dokumentācija no: *
<b>LT</b>	<b>ES atitikties deklaracija</b> <b>Belaidis plaktukinis gręztuvas</b>	Gaminio numeris	Atsakingai pareiškiame, kad išvardyti gaminiai atitinka visus privalomus žemiau nurodytų direktyvų ir reglamentų reikalavimus ir šiuos standartus. Techninė dokumentacija saugoma: *
<b>MK</b>	<b>EU-Изјава за сообразност</b> <b>Бежичен ротационен чекан</b>	Број на артикл	Со целосна одговорност изјавуваме, дека опишаните производи се во согласност со сите релевантни одредби на следните регулативи и прописи и се во согласност со следните норми. Техничка документација кај: *
<b>AL</b>	<b>EU Deklarata e konformitetit</b> <b>Matrapik me bateri</b>	Numri i nenit	Ne deklarojmë me përgjegjësinë tonë të vetme se produktet e paraqitura janë në përputhje me të gjitha dispozitat e zbatueshme të direktivave dhe rregulloreve të listuara më poshtë dhe janë në përputhje me standardet si më poshtë. Dosja teknike në: *

<b>3851</b>	<b>RH1*3851**</b>	2006/42/EC 2014/30/EU 2011/65/EU	EN 62841-1:2015 EN 62841-2-6:2020 + A11:2020  EN 55014-1:2021 EN 55014-2:2021  EN 63000:2018
		<b>SKIL</b> *	Skil BV Rithmeesterpark 22 A1 4838 GZ Breda The Netherlands
		Olaf Dijkgraaf Approval Manager	
		Skil BV, Rithmeesterpark 22 A1, 4838 GZ Breda, NL 02.08.2022	

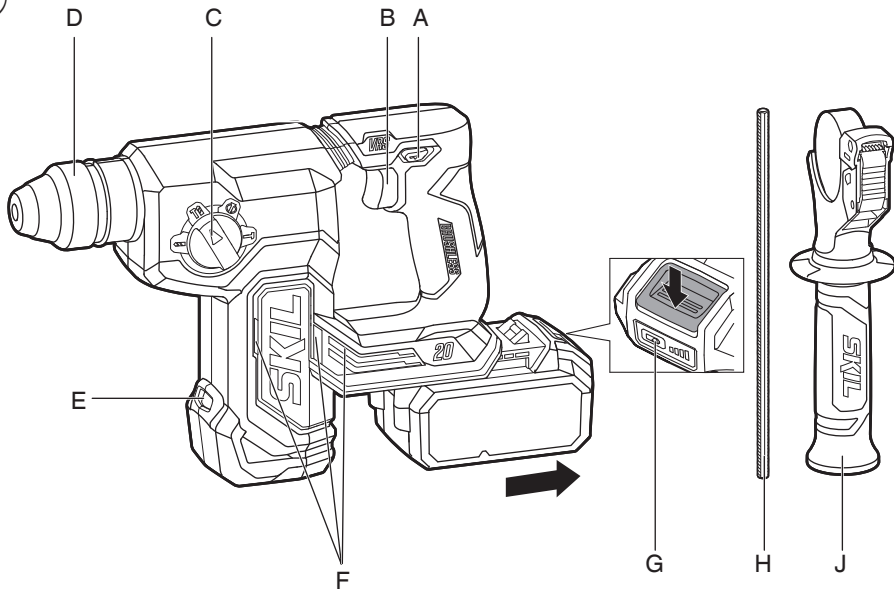
<b>Declaration of Conformity</b>		We declare under our sole responsibility that the stated products comply with all applicable provisions of the directives and regulations listed below and are in conformity with the following standards
<b>Cordless rotary hammer</b>	Article number	Technical file at: Chervon Europe Ltd., 34 Bridge Street, Reading, RG1 2LU, United Kingdom
<b>3851</b>	<b>RH1*3851**</b>	<p>Supply of Machinery (Safety) Regulations 2008 (SI 2008/1597)          Electromagnetic Compatibility Regulations 2016 (SI 2016/1091)          The Restriction of the Use of Certain Hazardous Substances in Electrical and Electronic Equipment Regulations 2012 (SI 2012/3032)          Noise Emission in the Environment by Equipment for use Outdoors Regulations 2001 (SI 2001/1701 and SI 2005/3525)</p> <p>EN 62841-1:2015          EN 62841-2-6:2020+A11:2020</p> <p>EN 55014-1:2021          EN 55014-2:2021</p> <p>EN IEC 63000:2018</p>
		 <p>Chervon Europe Ltd., 34 Bridge Street, Reading, RG12LU, United Kingdom, as authorized representative (in terms of above regulations) acting on behalf of Skil BV, Rithmeesterpark 22 A1, 4838GZ Breda, The Netherlands</p>
		<p>James McCrory          Technical Service Manager</p>  <p>Place of issue: Reading          Date of issue: 02/08/2022</p>

1

3851



2



3



4



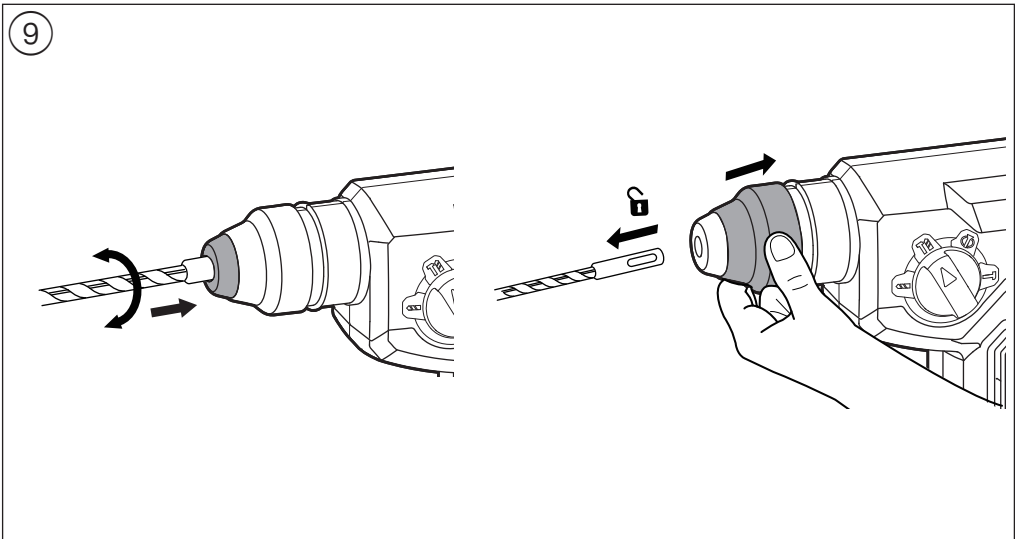
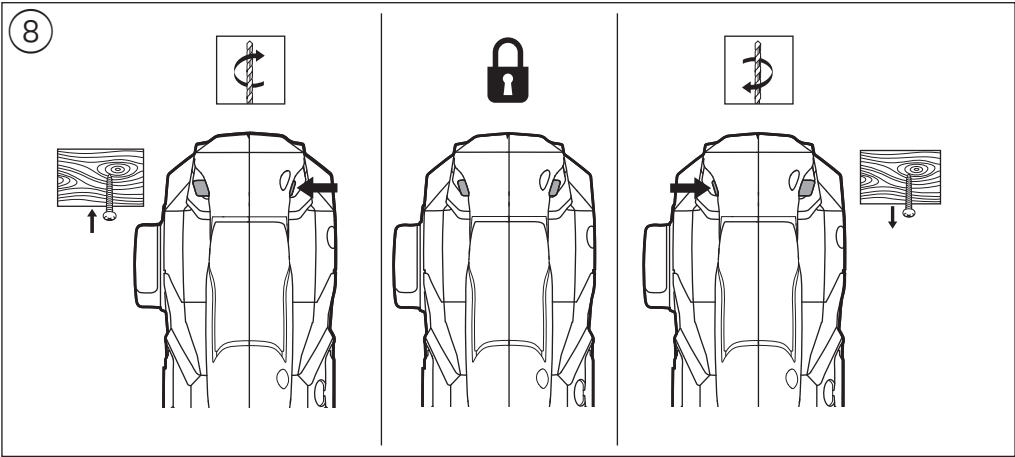
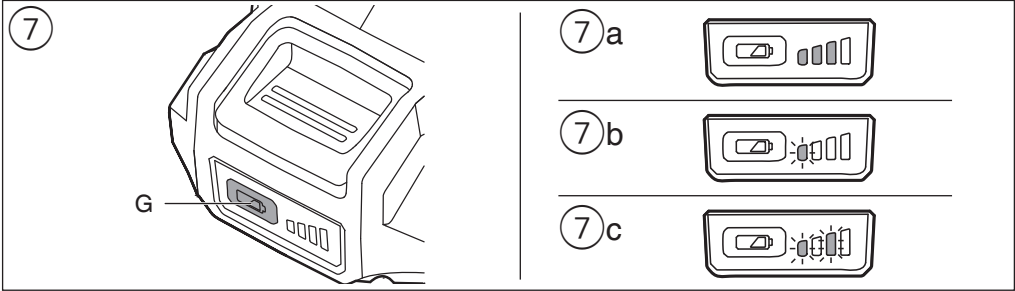
5

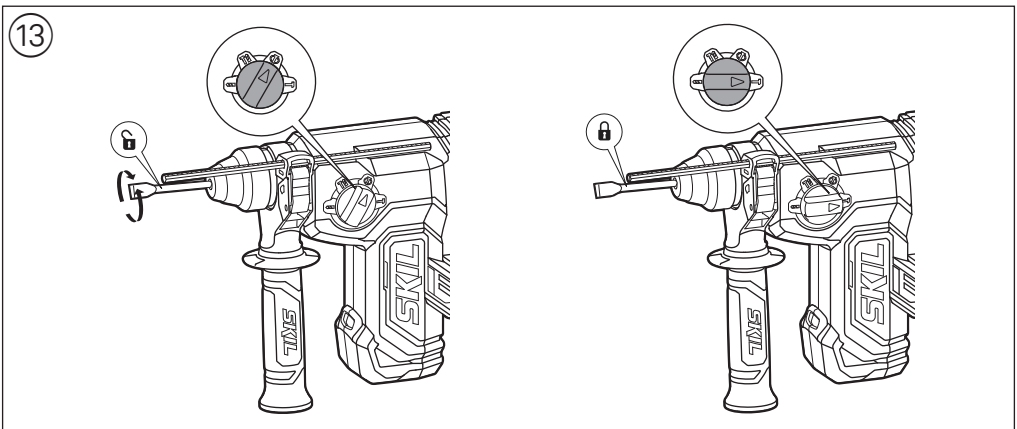
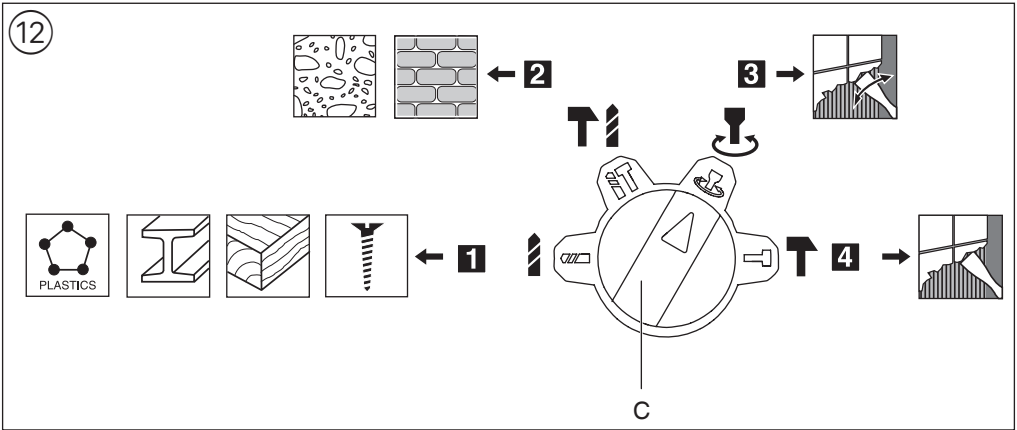
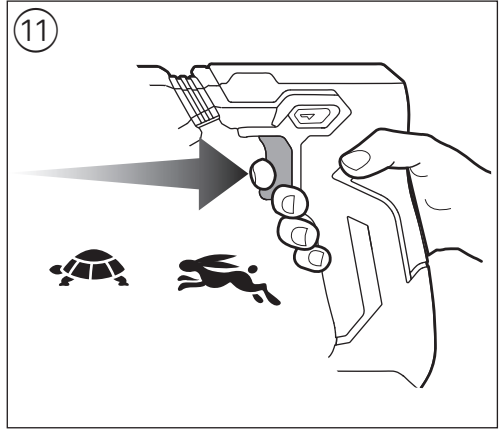
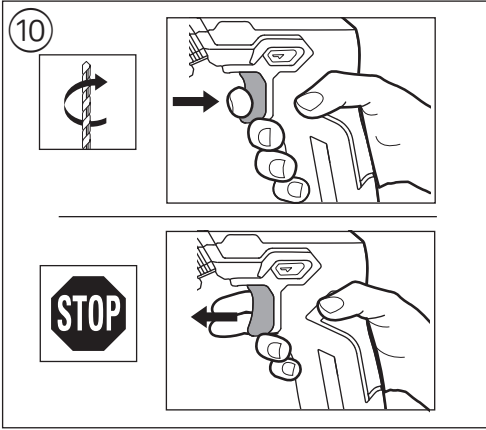


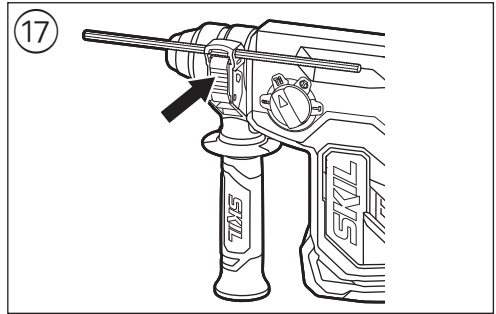
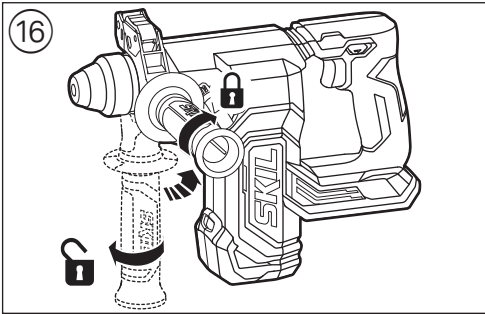
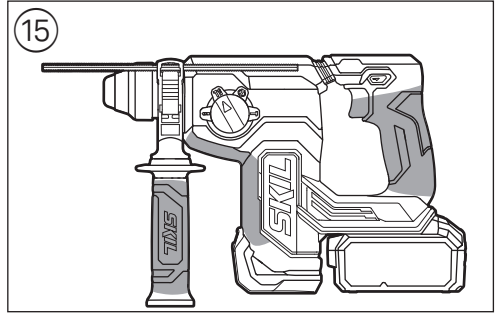
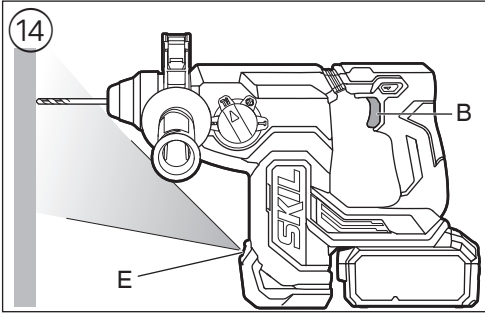
max. 50 °C

6



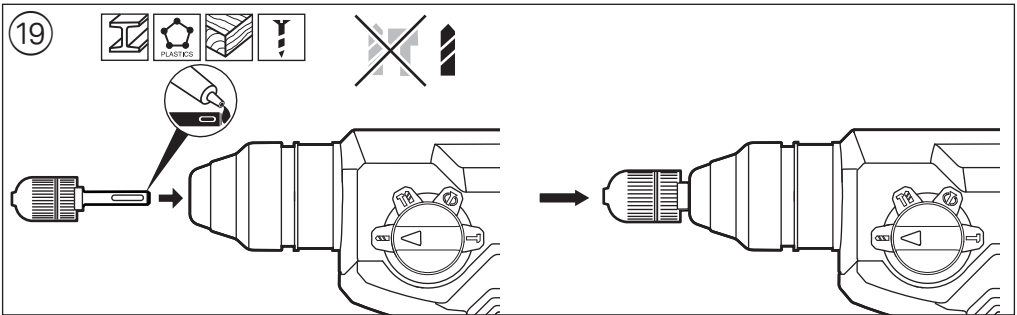




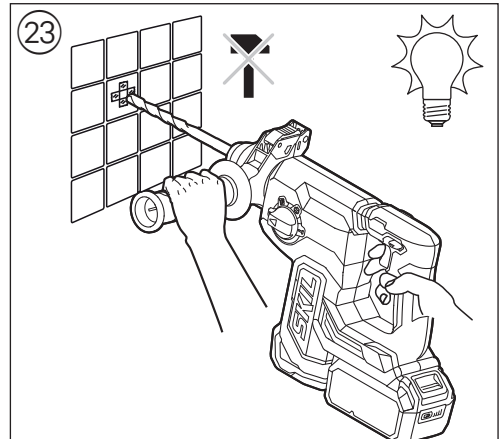
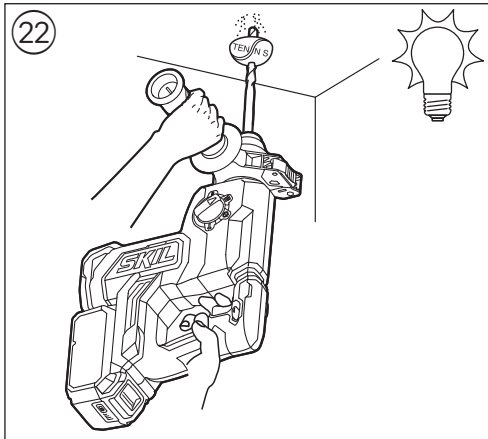
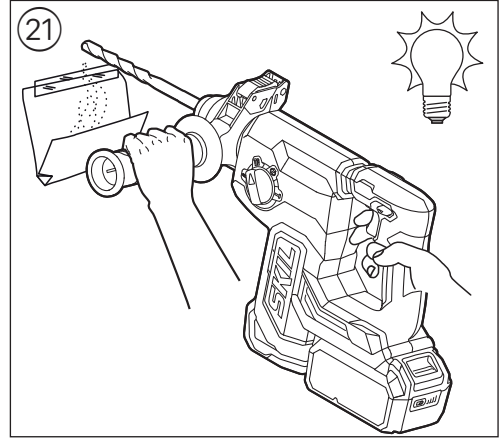
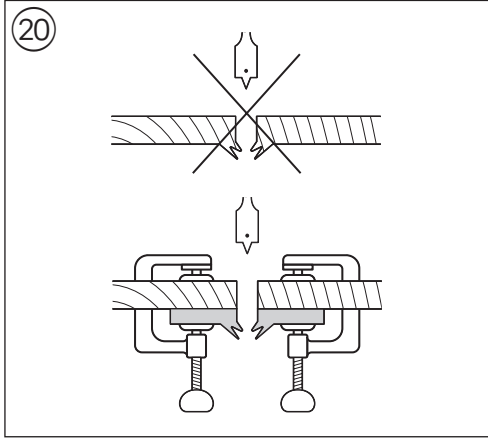


18

			HSS			PHILLIPS
						POZIDRIV
						SLOTTED







ACCESSORIES



WWW.SKIL.COM

## Brushless cordless rotary hammer

3851

### INTRODUCTION

- This tool is intended for hammer drilling in concrete, brick and stone, as well as for drilling in wood, metal, ceramic and plastic; tools with electronic speed control and left/right rotation are also suitable for screw driving and thread cutting
- The hammering system in this tool outperforms any traditional ratcheting drill when drilling in concrete
- This tool is designed for use in combination with all standard SDS+ accessories
- This tool is not intended for professional use
- When parts are missing or damaged, please contact your dealer
- **Read this instruction manual carefully before use and save it for future reference** ③
- **Pay special attention to the safety instructions and warnings; failure to follow these may result in serious injury**

### TECHNICAL DATA ①

#### TOOL ELEMENTS ②

- A Direction of rotation (forward/center-lock/reverse) selector
- B Switch for on/off and speed control
- C Switch for selecting operating mode
- D Locking sleeve
- E LED-light
- F Ventilation slots
- G Battery level indicator button
- H Depth gauge
- J Auxiliary handle

### SAFETY

#### GENERAL POWER TOOL SAFETY WARNINGS

**⚠ WARNING** Read all safety warnings, instructions, illustrations and specifications provided with this power tool. Failure to follow all instructions listed below may result in electric shock, fire and/or serious injury.

**Save all warnings and instructions for future reference.**

The term "power tool" in the warnings refers to your mains-operated (corded) power tool or battery-operated (cordless) power tool.

#### 1) WORK AREA SAFETY

- a) **Keep work area clean and well lit.** Cluttered or dark areas invite accidents.
- b) **Do not operate power tools in explosive atmospheres, such as in the presence of flammable liquids, gases or dust.** Power tools create sparks which may ignite the dust or fumes.
- c) **Keep children and bystanders away while operating**

**a power tool.** Distractions can cause you to lose control.

#### 2) ELECTRICAL SAFETY

- a) **Power tool plugs must match the outlet. Never modify the plug in any way. Do not use any adapter plugs with earthed (grounded) power tools.** Unmodified plugs and matching outlets will reduce risk of electric shock.
- b) **Avoid body contact with earthed or grounded surfaces, such as pipes, radiators, ranges and refrigerators.** There is an increased risk of electric shock if your body is earthed or grounded.
- c) **Do not expose power tools to rain or wet conditions.** Water entering a power tool will increase the risk of electric shock.
- d) **Do not abuse the cord. Never use the cord for carrying, pulling or unplugging the power tool. Keep cord away from heat, oil, sharp edges or moving parts.** Damaged or entangled cords increased the risk of electric shock.
- e) **When operating a power tool outdoors, use an extension cord suitable for outdoor use.** Use of a cord suitable for outdoor use reduces the risk of electric shock.
- f) **If operating a power tool in a damp location is unavoidable, use a residual current device (RCD) protected supply.** Use of an RCD reduces the risk of electric shock.

#### 3) PERSONAL SAFETY

- a) **Stay alert, watch what you are doing and use common sense when operating a power tool. Do not use a power tool while you are tired or under the influence of drugs, alcohol or medication.** A moment of inattention while operating power tools may result in serious personal injury.
- b) **Use personal protective equipment. Always wear eye protection.** Protective equipment such as dust mask, non-skid safety shoes, hard hat or hearing protection used for appropriate conditions will reduce personal injuries.
- c) **Prevent unintentional starting. Ensure the switch is in the off-position before connecting to power source and/or battery pack, picking up or carrying the tool.** Carrying power tools with your finger on the switch or energizing power tools that have the switch on invites accidents.
- d) **Remove any adjusting key or wrench before turning the power tool on.** A wrench or a key left attached to a rotating part of the power tool may result in personal injury.
- e) **Do not overreach. Keep proper footing and balance at all times.** This enables better control of the power tool in unexpected situations.
- f) **Dress properly. Do not wear loose clothing or jewelry. Keep your hair and clothing away from moving parts.** Loose clothes, jewelry or long hair can be caught in moving parts.
- g) **If devices are provided for the connection of dust extraction and collection facilities, ensure these are connected and properly used.** Use of dust collection can reduce dust-related hazards.
- h) **Do not let familiarity gained from frequent use of tools allow you to become complacent and ignore**

**tool safety principles.** A careless action can cause severe injury within a fraction of a second.

#### 4) POWER TOOL USE AND CARE

- a) **Do not force the power tool. Use the correct power tool for your application.** The correct power tool will do the job better and safer at the rate for which it was designed.
  - b) **Do not use the power tool if the switch does not turn it on and off.** Any power tool that cannot be controlled with the switch is dangerous and must be repaired.
  - c) **Disconnect the plug from the power source and/ or remove the battery pack, if detachable, from the power tool before making any adjustments, changing accessories, or storing power tools.** Such preventive safety measures reduce the risk of starting the power tool accidentally.
  - d) **Store idle power tools out of the reach of children and do not allow persons unfamiliar with the power tool or these instructions to operate the power tool.** Power tools are dangerous in the hands of untrained users.
  - e) **Maintain power tools and accessories. Check for misalignment or binding of moving parts, breakage of parts and any other condition that may affect the power tool's operation. If damaged, have the power tool repaired before use.** Many accidents are caused by poorly maintained power tools.
  - f) **Keep cutting tools sharp and clean.** Properly maintained cutting tools with sharp cutting edges are less likely to bind and are easier to control.
  - g) **Use the power tool, accessories and tool bits etc. in accordance with these instructions, taking into account the working conditions and the work to be performed.** Use of the power tool for operations different from those intended could result in a hazardous situation.
  - h) **Keep handles and grasping surfaces dry, clean and free from oil and grease.** Slippery handles and grasping surfaces do not allow for safe handling and control of the tool in unexpected situations.
- #### 5) BATTERY TOOL USE AND CARE
- a) **Recharge only with the charger specified by the manufacturer.** A charger that is suitable for one type of battery pack may create a risk of fire when used with another battery pack.
  - b) **Use power tools only with specifically designated battery packs.** Use of any other battery packs may create a risk of injury and fire.
  - c) **When battery pack is not in use, keep it away from other metal objects, like paper clips, coins, keys, nails, screws or other small metal objects, that can make a connection from one terminal to another.** Shorting the battery terminals together may cause burns or a fire.
  - d) **Under abusive conditions, liquid may be ejected from the battery; avoid contact. If contact accidentally occurs, flush with water. If liquid contacts eyes, additionally seek medical help.** Liquid ejected from the battery may cause irritation or burns.
  - e) **Do not use a battery pack or tool that is damaged or modified.** Damaged or modified batteries may exhibit unpredictable behavior resulting in fire, explosion or risk of injury.

- f) **Do not expose a battery pack or tool to fire or excessive temperature.** Exposure to fire or temperature above 130°C may cause explosion.
  - g) **Follow all charging instructions and do not charge the battery pack or tool outside the temperature range specified in the instructions.** Charging improperly or at temperatures outside the specified range may damage the battery and increase the risk of fire.
- #### 6) SERVICE
- a) **Have your power tool serviced by a qualified repair person using only identical replacement parts.** This will ensure that the safety of the power tool is maintained.
  - b) **Never service damaged battery packs.** Service of battery packs should only be performed by the manufacturer or authorized service providers.

#### SAFETY INSTRUCTIONS FOR CORDLESS HAMMER

- **Wear ear protectors.** Exposure to noise can cause hearing loss
- **Use auxiliary handle(s), if supplied with the tool.** Loss of control can cause personal injury
- **Hold the power tool by insulated gripping surfaces, when performing an operation where the cutting accessory may contact hidden wiring (cutting accessory contacting a "live" wire may make exposed metal parts of the power tool "live" and could give the operator an electric shock)**

#### SAFETY INSTRUCTIONS WHEN USING LONG DRILL BITS WITH ROTARY HAMMERS

- **Always start drilling at low speed and with the bit tip in contact with the workpiece.** At higher speeds, the bit is likely to bend if allowed to rotate freely without contacting the workpiece, resulting in personal injury.
- **Apply pressure only in direct line with the bit and do not apply excessive pressure.** Bits can bend, causing breakage or loss of control, resulting in personal injury.

#### GENERAL

- **Do not work materials containing asbestos** (asbestos is considered carcinogenic)
- This tool should not be used by people under the age of 16 years
- Dust from material such as paint containing lead, some wood species, minerals and metal may be harmful (contact with or inhalation of the dust may cause allergic reactions and/or respiratory diseases to the operator or bystanders); **wear a dust mask and work with a dust extraction device when connectable**
- Certain kinds of dust are classified as carcinogenic (such as oak and beech dust) especially in conjunction with additives for wood conditioning; **wear a dust mask and work with a dust extraction device when connectable**
- Follow the dust-related national requirements for the materials you want to work with

#### BEFORE USE

- Avoid damage that can be caused by screws, nails and other elements in your workpiece; remove them before you start working
- **Secure the workpiece** (a workpiece clamped with clamping devices or in a vice is held more securely than

by hand)

- **Use suitable detectors to find hidden utility lines or call the local utility company for assistance** (contact with electric lines can lead to fire or electrical shock; damaging a gas line can result in an explosion; penetrating a water pipe will cause property damage or an electrical shock)
- Ensure that direction-of-rotation selector B ② is in the middle (locking) position before making any adjustments or changing accessories as well as when carrying or storing the tool.
- Be aware of the forces that occur as a result of jamming (especially when drilling metals); **always use auxiliary handle J** and take a secure stance

#### ACCESSORIES

- SKIL can assure flawless functioning of the tool only when original accessories are used
- Use only accessories with an allowable speed matching at least the highest no-load speed of the tool

#### AFTER USE

- When you put away the tool, switch off the motor and ensure that all moving parts have come to a complete standstill

#### BATTERIES

- **The battery supplied is partially charged** (to ensure full capacity of the battery, completely charge the battery in the battery charger before using your power tool for the first time).
- **Only use the following batteries and chargers with this tool**
  - SKIL battery: BR1\*31\*\*\*\*
  - SKIL charger: CR1\*31\*\*\*\*
- Do not use the battery when damaged; it should be replaced immediately
- Do not disassemble the battery
- Do not expose tool/battery to rain
- Permitted ambient temperature (tool/charger/battery):
  - when charging 4...40°C
  - during operation -20...+50°C
  - during storage -20...+50°C

#### EXPLANATION OF SYMBOLS ON TOOL/BATTERY

- ③ Read the instruction manual before use
- ④ Batteries may explode when disposed of in fire, so do not burn battery for any reason
- ⑤ Store tool/charger/battery in locations where temperature will not exceed 50°C
- ⑥ Do not dispose of electric tools and batteries together with household waste material

#### USE

- Charging battery
  - ! **read the safety warnings and instructions provided with the charger**
- Removing/installing the battery ②
- Battery level indicator ⑦
  - press the battery level indicator button G to show the current battery level ⑦a
  - ! **when the lowest level of the battery indicator starts flashing after pressing button G ⑦b, the battery is empty**
  - ! **when 2 levels of the battery indicator start flashing after pressing button G ⑦c, the battery is not within the allowable operating temperature range**
- Battery protection

The tool is suddenly being switched off or prevented from being switched on, when

- **the load is too high** --> remove load and restart
- **the battery temperature is not within the allowable operating temperature range of -20 to +50°C** --> 2 levels of the battery level indicator start flashing when pressing button G ⑦c; wait until battery has returned within the allowable operating temperature range
- **the battery is nearly empty (to protect against deep discharge)** --> a low battery level or flashing low battery level ⑦b is shown by the battery level indicator when pressing button G; charge battery

! **do not continue to press the on/off switch after the tool is switched off automatically; battery may be damaged**

- Changing direction of rotation ⑧
  - when not properly set in left/right position, switch B ② cannot be activated
  - ! **change direction of rotation only when tool is at a complete standstill**
- Installing and removing bits ⑨a & ⑨b
  - ! **clean and lightly lubricate the SDS+ accessory before insertion**
  - insert accessory in SDS+ chuck while turning and pushing it until it engages; the accessory locks in position automatically
  - pull accessory to check that it is locked correctly
  - remove accessory by pulling back locking sleeve D
  - ! **the SDS+ accessory requires freedom of movement which causes eccentricity when tool is off-load; however, the accessory automatically centres itself during operation without affecting drilling precision**
  - ! **do not use bits with a damaged shank**
- Combined switch for on/off ⑩ and speed control ⑪
  - control the speed steplessly from zero to maximum by putting less or more pressure on the switch B
- Selecting operating mode ⑫
  - turn switch C to the desired operating mode until it snap-locks
    - 1 = normal drilling/screwdriving
    - 2 = impact drilling
    - 3 = chiseling with rotating chisel
    - 4 = chiseling with fixed chisel
  - ! **select operating mode only when tool is switched off and battery is removed**
  - the hammer mechanism is activated by applying a slight pressure on the tool when the drill bit is in contact with the workpiece
  - it takes a short time for the hammer mechanism to reach full impact power
  - best hammer drilling results can be obtained by only a slight pressure on the tool; drilling performance will not improve by applying more pressure on the tool
- Chiseling with fixed chisel ⑬
  - ! **switch off the tool and remove the battery**
  - select "rotating" chiseling mode
  - place chisel in desired position
  - select "fixed" chiseling mode
- LED-light ⑭
  - LED-light E automatically lights on when activating the switch B
  - ! **when LED worklight starts flashing, the battery**

- **protection is activated (see above)**
- Holding and guiding the tool ⑮
- **! while working, always hold the tool at the grey-coloured grip area(s)**
- **always use auxiliary handle J** (can be adjusted as illustrated) ⑮
- keep ventilation slots F② uncovered
- do not apply too much pressure on the tool; let the tool do the work for you
- Adjusting drilling depth ⑰

## APPLICATION ADVICE

- Use the appropriate bits ⑮
- **! only use sharp bits**
- For drilling with non SDS drill bits in wood, metal and plastic, use an adapter (not standard included) ⑰
- **! clean and lightly lubricate the SDS+ accessory before insertion**
- pull back locking sleeve D and insert adapter in SDS+ chuck while turning and pushing it until it engages; the adapter locks in position automatically
- pull adapter to check whether it is locked correctly
- set switch C to normal drilling (only activate when tool is switched off and the switch is locked)
- When drilling ferrous metals
  - pre-drill a smaller hole, when a large hole is required
  - lubricate drill bit occasionally with oil
- When turning in a screw at/near the cross cut end or an edge of wood, pre-drill a hole in order to avoid cracking of the wood
- Splinterfree drilling in wood ⑳
- Dustfree drilling in walls ㉑
- Dustfree drilling in ceilings ㉒
- Drilling in tiles without skidding ㉓
- For more information see [www.skil.com](http://www.skil.com)

## MAINTENANCE/SERVICE

- This tool is not intended for professional use
- Always keep tool clean (especially ventilation slots F②)
- **! remove battery from tool before cleaning**
- If the tool should fail despite the care taken in manufacturing and testing procedures, repair should be carried out by an after-sales service centre for SKIL power tools
  - send the tool **undismantled** together with proof of purchase to your dealer or the nearest SKIL service station (addresses as well as the service diagram of the tool are listed on [www.skil.com](http://www.skil.com))
- Be aware that damage due to overload or improper handling of the tool will be excluded from the warranty (for the SKIL warranty conditions see [www.skil.com](http://www.skil.com) or ask your dealer)

## ENVIRONMENT

Only for EU countries

- Do not dispose of electric tools, accessories and packaging together with household waste material
  - in observance of European Directive 2012/19/EC on waste of electric and electronic equipment and its implementation in accordance with national law, electric tools that have reached the end of their life must be collected separately and returned to an

environmentally compatible recycling facility  
- symbol ⑥ will remind you of this when the need for disposing occurs

**! prior to disposal protect battery terminals with heavy tape to prevent short-circuit**

Only for UK

- Do not dispose of electric tools, accessories and packaging together with household waste material
  - in observance of on Waste Electric and Electronic Equipment Regulations 2013 (SI 2013/3113), electric tools that have reached the end of their life must be collected separately and returned to an environmentally compatible recycling facility
  - symbol ⑥ will remind you of this when the need for disposing occurs
- **! prior to disposal protect battery terminals with heavy tape to prevent short-circuit**

## NOISE / VIBRATION

- Measured in accordance with EN 62841 the sound pressure level of this tool is 93.4 dB(A) and the sound power level 104.4 dB(A) (uncertainty K = 3 dB), and the vibration\* (triax vector sum; uncertainty K = 1.5 m/s<sup>2</sup>)
  - \* when hammer drilling in concrete 16.2 m/s<sup>2</sup>
  - \* when chiseling 12.8 m/s<sup>2</sup>
- The vibration emission level has been measured in accordance with a standardized test given in EN 62841; it may be used to compare one tool with another and as a preliminary assessment of exposure to vibration when using the tool for the applications mentioned
  - using the tool for different applications, or with different or poorly maintained accessories, may significantly **increase** the exposure level
  - the times when the tool is switched off or when it is running but not actually doing the job, may significantly **reduce** the exposure level
- **! protect yourself against the effects of vibration by maintaining the tool and its accessories, keeping your hands warm, and organizing your work patterns**

F

## Marteau perforateur sans fil et sans corde

3851

## INTRODUCTION

- Cet outil est conçu pour les travaux de martelage dans la brique, le béton et dans la pierre naturelle ainsi que le perçage dans le bois, le métal, la céramique et les matières plastiques ; les outils avec réglage électronique de la vitesse et rotation à droite/à gauche sont également appropriés pour le vissage et le filetage
- Le système martelage de cet outil surpasse largement la performance des perceuses à percussion traditionnelles lorsqu'il est utilisé dans le béton
- Cet outil convient parfaitement pour une utilisation avec tous les accessoires SDS+ standards
- Cet outil n'est pas conçu pour un usage professionnel
- Lorsque des pièces manquent ou sont endommagées, veuillez contacter votre distributeur
- **Lisez attentivement ce manuel d'instructions avant**

d'utiliser l'appareil et conservez-le pour pouvoir vous y référer ultérieurement ③

- **Prêtez particulièrement attention aux consignes de sécurité et aux avertissements ; sinon, vous risquez de subir des blessures graves**

## CARACTÉRISTIQUES TECHNIQUES ①

### PIÈCES DE L'OUTIL ②

- A Sélecteur de sens de rotation (avant/verrouillage central/inverse)
- B Interrupteur de marche/arrêt et réglage de vitesse
- C Commutateur pour sélectionner le mode de fonctionnement
- D Manchon de verrouillage
- E Voyant DEL
- F Fentes de ventilation
- G Bouton de l'indicateur de niveau de batterie
- H Jauge de profondeur
- J Poignée auxiliaire

## SÉCURITÉ

### CONSIGNES DE SÉCURITÉ GÉNÉRALES POUR L'OUTIL ÉLECTRIQUE

**⚠ AVERTISSEMENT** Lisez toutes les consignes de sécurité, les instructions, les illustrations et les spécifications de sécurité fournies avec cet outil électrique. Le non-respect des consignes figurant ci-dessous peut provoquer un choc électrique, un incendie et/ou des blessures graves.

**Conservez tous les avertissements et instructions pour pouvoir vous y référer ultérieurement.**

Le terme « outil électrique » utilisé dans les consignes de sécurité désigne votre outil électrique fonctionnant sur le secteur (filaire) ou sur batterie (sans fil).

#### 1) SÉCURITÉ DE L'AIRE DE TRAVAIL

- a) **Maintenez l'aire de travail propre et bien éclairée.** Les endroits sombres ou désordonnés augmentent les risques d'accident.
- b) **N'utilisez pas les outils électriques dans des atmosphères explosives, par exemple en présence de liquides, gaz ou poussières inflammables.** Les outils électriques génèrent des étincelles pouvant enflammer les poussières et les vapeurs.
- c) **Veillez à ce que les enfants et les autres personnes restent éloignés pendant l'utilisation d'un outil électrique.** Un moment d'inattention peut vous faire perdre le contrôle de l'outil.

#### 2) SÉCURITÉ ÉLECTRIQUE

- a) **La fiche de l'outil électrique doit correspondre à la prise électrique. Ne modifiez jamais la prise de quelque manière que ce soit. N'utilisez jamais d'adaptateur de prise avec les outils électriques pourvus d'une mise à la terre ou à la masse.** Les fiches non modifiées et les prises électriques appropriées réduisent le risque de choc électrique.
- b) **Évitez tout contact physique avec des surfaces**

**à la terre ou mises à la masse, telles que tuyaux, radiateurs, fours et réfrigérateurs.** Il y a un risque accru de choc électrique si votre corps est relié à la terre ou à la masse, directement ou indirectement.

- c) **N'exposez pas les outils électriques à la pluie ou à un environnement mouillé.** Si de l'eau pénètre dans un outil électrique, cela accroît le risque de choc électrique.
  - d) **Prenez soin du câble d'alimentation. N'utilisez jamais le câble d'alimentation pour porter, tirer ou débrancher l'outil électrique. Veillez à ce que le câble d'alimentation n'entre jamais en contact avec de l'huile, des pièces mobiles, des arêtes tranchantes, et ne soit jamais exposé à de la chaleur.** Les câbles d'alimentation endommagés ou emmêlés augmentent le risque de choc électrique.
  - e) **Quand vous utilisez un outil électrique en extérieur, utilisez une rallonge électrique adaptée à un usage en extérieur.** L'utilisation d'une rallonge conçue pour un usage en extérieur permet de réduire le risque de choc électrique.
  - f) **Si vous êtes obligé d'utiliser un outil électrique dans un endroit humide, utilisez une alimentation protégée par un dispositif différentiel à courant résiduel (DDR).** L'utilisation d'un DDR réduit le risque de choc électrique.
- #### 3) SÉCURITÉ DES PERSONNES
- a) **Restez vigilant, soyez attentif à ce que vous faites et faites preuve de bon sens lors de l'utilisation d'un outil électrique. N'utilisez pas un outil électrique quand vous êtes fatigué ou sous l'emprise de l'alcool, de stupéfiants ou de médicaments.** Un moment d'inattention pendant l'utilisation des outils électriques peut provoquer des blessures corporelles graves.
  - b) **Utilisez des équipements de protection individuelle. Portez toujours une protection oculaire.** L'utilisation d'équipements de protection appropriés aux conditions de travail, tels que masque anti-poussières, chaussures de sécurité antidérapantes, casque et protections auditives, permet de réduire les risques de blessures corporelles.
  - c) **Évitez les démarrages accidentels. Vérifiez que l'interrupteur marche/arrêt est dans la position arrêt avant de brancher l'outil dans une prise électrique et/ou une batterie, de le saisir ou de le transporter.** Porter les outils électriques avec le doigt sur leur interrupteur ou les brancher dans une alimentation électrique alors que leur interrupteur est dans la position marche augmente le risque d'accident.
  - d) **Retirez toutes les clés de réglage et de serrage avant de mettre l'outil électrique en marche.** Une clé de réglage ou de serrage laissée sur une pièce rotative de l'outil électrique peut provoquer des blessures corporelles.
  - e) **N'essayez pas de travailler des endroits difficiles à atteindre. Conservez en permanence des appuis des pieds solides et un bon équilibre.** Cela permet un meilleur contrôle de l'outil électrique en cas de situations inattendues.
  - f) **Portez une tenue adaptée. Ne portez pas de vêtement ample ni de bijou. Maintenez vos cheveux et vos vêtements éloignés des pièces mobiles.** Les vêtements amples, les bijoux et les cheveux longs

peuvent se prendre dans les pièces mobiles.

- g) **Si un outil est conçu pour être utilisé avec des dispositifs d'extraction et de récupération des poussières, veillez à ce que ces dispositifs soient raccordés et correctement utilisés.** L'utilisation de dispositifs de récupération des poussières permet de réduire les risques liés aux poussières.
- h) **Veillez à ne pas devenir trop sûr de vous et ne cessez pas de respecter les principes de sécurité même si vous vous sentez familiarisé à l'utilisation de l'outil.** La négligence peut provoquer des blessures graves en une fraction de seconde.
- 4) **UTILISATION ET ENTRETIEN DE L'OUTIL ÉLECTRIQUE**
- a) **Ne forcez pas l'outil électrique. Utilisez l'outil électrique qui convient au travail que vous voulez effectuer.** L'utilisation d'un outil qui convient au travail à effectuer permet de réaliser ce travail plus efficacement, avec une sécurité accrue et au rythme pour lequel l'outil a été conçu.
- b) **N'utilisez pas l'outil électrique si son interrupteur marche/arrêt ne permet pas de l'allumer et de l'éteindre.** Tout outil électrique qui ne peut pas être contrôlé par son interrupteur marche/arrêt est dangereux et doit être réparé.
- c) **Débranchez le câble de l'alimentation électrique et/ou retirez la batterie, si amovible, de l'outil électrique avant tout réglage ou changement d'accessoire, et avant de ranger l'outil électrique.** Cette mesure de sécurité préventive réduit le risque de démarrage accidentel de l'outil électrique.
- d) **Rangez les outils électriques non utilisés hors de portée des enfants. N'autorisez pas les personnes non familiarisées avec l'outil électrique ou ce manuel d'utilisation à l'utiliser.** Les outils électriques sont dangereux dans les mains de personnes inexpérimentées.
- e) **Entretenez les outils électriques et les accessoires. Inspectez-les pour vérifier qu'aucune pièce mobile n'est grippée ou mal alignée, qu'aucune pièce n'est cassée, et pour tout autre problème qui pourrait affecter leur fonctionnement. Si un outil électrique est endommagé, il doit être réparé avant d'être réutilisé.** Beaucoup d'accidents sont dus à des outils électriques mal entretenus.
- f) **Veillez à ce que les accessoires de coupe restent affûtés et propres.** Des accessoires de coupe bien entretenus et bien affûtés risquent moins de se coincer et sont plus faciles à contrôler.
- g) **Utilisez l'outil électrique, ses accessoires, mèches/embouts et toutes les autres pièces conformément aux présentes instructions, en prenant en compte les conditions d'utilisation et le travail à effectuer.** Utiliser l'outil électrique à d'autres finalités que celles pour lesquelles il a été conçu peut engendrer des situations dangereuses.
- h) **Maintenez les poignées et surfaces de préhension propres, sèches et exemptes d'huile et de graisse.** Les poignées et surfaces de préhension glissantes ne permettent pas de tenir et de contrôler l'outil de manière sûre en cas de situations inattendues.
- 5) **UTILISATION ET ENTRETIEN DE L'OUTIL SUR BATTERIE**

- a) **Rechargez la batterie exclusivement avec le chargeur spécifié par le fabricant.** Un chargeur adapté à un type de batterie en particulier peut présenter un risque d'incendie s'il est utilisé avec une batterie différente.
- b) **Utilisez les outils électriques exclusivement avec les batteries spécifiées.** L'utilisation de toute autre batterie peut créer un risque de blessures et d'incendie.
- c) **Lorsque la batterie n'est pas utilisée, elle doit être rangée à l'écart de tout objet métallique, tel que les trombones, pièces de monnaie, clés, clous, vis et tous les autres petits objets métalliques pouvant mettre en contact ses bornes.** Mettre en court-circuit les bornes de la batterie peut provoquer des brûlures et un incendie.
- d) **Si la batterie est soumise à des conditions d'utilisation excessives, du liquide peut s'en échapper. Évitez tout contact avec ce liquide. En cas de contact accidentel, rincez à grande eau. En cas de contact avec les yeux, vous devez en outre consulter un médecin.** Le liquide qui s'échappe des batteries peut provoquer des irritations et des brûlures.
- e) **N'utilisez pas une batterie ou un outil endommagé ou modifié.** Les batteries modifiées ou endommagées peuvent avoir un comportement imprévisible provoquant un incendie, une explosion ou un risque de blessure.
- f) **N'exposez pas la batterie ou l'outil à des flammes ou à une température excessive.** L'exposition au feu ou à des températures supérieures à 130 °C peut provoquer une explosion.
- g) **Respectez toutes les instructions de recharge et ne rechargez pas la batterie ou l'outil hors de la plage de température spécifiée dans les instructions.** La recharge incorrecte ou à des températures hors de la plage spécifiée peut endommager la batterie et accroître le risque d'incendie.
- 6) **RÉPARATION**
- a) **Faites réparer votre outil électrique par un réparateur qualifié qui ne doit utiliser que des pièces de recharge identiques.** Ceci permet de garantir la sûreté de l'outil électrique.
- b) **Ne réparez jamais les batteries endommagées.** La réparation des batteries doit toujours être effectuée par le fabricant ou des réparateurs agréés.

#### CONSIGNES DE SÉCURITÉ POUR MARTEAU SANS FIL

- **Portez des protections auditives.** L'exposition au bruit peut provoquer une perte d'acuité auditive
- **Utilisez la ou les poignées auxiliaires fournies avec l'outil.** La perte de contrôle de l'outil peut provoquer des blessures corporelles.
- **Tenez l'outil par les surfaces de préhension isolées si l'accessoire de coupe est susceptible d'entrer en contact avec un câblage non apparent** (le contact avec un fil sous tension peut également mettre sous tension les parties métalliques de l'outil électrique et provoquer un choc électrique sur l'opérateur)

#### CONSIGNES DE SECURITE CONCERNANT L'UTILISATION DE FORETS LONGS AVEC UN PERFORATEUR

- **Commencez toujours par percer à une vitesse réduite avec la pointe du foret contre la pièce.** A une vitesse trop élevée, le foret est susceptible de se courber s'il tourne librement sans toucher la pièce, entraînant des blessures corporelles.
- **Exercez une pression uniquement dans l'axe du foret et ne l'exercez pas de manière excessive.** Les forets peuvent se courber et se briser ou entraîner une perte de contrôle de l'appareil pouvant mener à des blessures corporelles.

#### GENERALITES

- **Ne sciez pas dans des matériaux contenant de l'amiante** (l'amiante est considéré comme étant cancérigène)
- Cet outil ne doit pas être utilisé par des personnes de moins de 16 ans
- La poussière de matériaux, tels que la peinture contenant du plomb, certaines espèces de bois, certains minéraux et différents métaux, peut être nocive (le contact avec la poussière ou son inhalation peut provoquer des réactions allergiques et/ou des maladies respiratoires chez l'opérateur ou des personnes se trouvant à proximité); **portez un masque anti-poussières et travaillez avec un dispositif d'extraction des poussières lorsqu'il est possible d'en connecter un**
- Certains types de poussières sont classifiés comme étant cancérigènes (tels que la poussière de chêne ou de hêtre), en particulier en combinaison avec des additifs de traitement du bois; **portez un masque anti-poussières et travaillez avec un dispositif d'extraction des poussières lorsqu'il est possible d'en connecter un**
- Suivez les directives nationales relatives au dépoussiérage pour les matériaux à travailler

#### AVANT L'USAGE

- Faites attention aux vis, clous ou autres éléments qui pourraient se trouver dans la pièce à travailler et qui risqueraient d'endommager très fortement votre outil; enlevez-les avant de commencer le travail
- **Fixez solidement la pièce** (une pièce fixée à l'aide de dispositifs de fixation ou d'un étau est mieux maintenue qu'à la main)
- **Utilisez des détecteurs appropriés afin de localiser les conduites dissimulées ou bien adressez-vous à votre fournisseur local** (un contact avec des lignes électriques peut provoquer un incendie ou une décharge électrique ; endommager une conduite de gaz peut entraîner une explosion ; endommager une conduite d'eau peut entraîner des dégâts matériels ou une décharge électrique)
- Vérifiez que le sélecteur du sens de rotation B2 est sur la position du milieu (de blocage) avant d'effectuer des réglages sur l'outil ou de changer des accessoires, ou de transporter ou ranger l'outil.
- Assurez-vous des forces en jeu consécutives au blocage (spécialement durant le perçage des métaux) ; **utilisez toujours la poignée auxiliaire J** et adoptez une position de travail stable et sûre

#### ACCESSOIRES

- SKIL ne peut se porter garant du bon fonctionnement de cet outil que s'il a été utilisé avec les accessoires d'origine
- La vitesse admissible des accessoires utilisées doit être au moins aussi élevée que la vitesse à vide maximale de l'outil

#### APRES L'USAGE

- Lorsque vous rangez votre outil, le moteur doit être

coupé et les pièces mobiles complètement arrêtées

#### BATTERIE

- **La batterie fournie est partiellement chargée** (pour garantir la capacité totale de la batterie, chargez-la intégralement dans le chargeur de batterie avant d'utiliser l'outil électrique pour la première fois).
- **Utilisez uniquement les batteries et les chargeurs suivants avec l'outil**
  - Batterie SKIL : BR1\*31\*\*\*\*
  - Chargeur SKIL : CR1\*31\*\*\*\*
- N'utilisez pas la batterie lorsque celle-ci est endommagée ; remplacez-la immédiatement
- Ne démontez pas la batterie
- N'exposez jamais l'outil/la batterie à la pluie
- Plage de températures autorisées (outil/chargeur/ batterie):
  - pendant la charge 4...40°C
  - pendant le fonctionnement -20...+50°C
  - pour le stockage -20...+50°C

#### EXPLICATION DES SYMBOLES SUR L'OUTIL/LA BATTERIE

- ③ Veuillez lire le mode d'emploi avant d'utiliser l'outil
- ④ La batterie explosera si elle est jetée au feu - ne la brûlez en aucun cas
- ④ Rangez l'outil/le chargeur/la batterie dans des endroits où la température n'excède pas 50°C
- ⑥ Ne jetez pas les outils électriques et les piles dans les ordures ménagères

#### UTILISATION

- Chargement de la batterie
  - ! lisez les avertissements de sécurité et les instructions fournies avec le chargeur
- Retirer/installer la batterie ②
- Indicateur de niveau de charge de la batterie ⑦
  - appuyez sur le bouton indicateur de niveau de charge de la batterie G pour afficher le niveau de charge actuel ⑦a
  - ! si le niveau le plus bas de l'indicateur de batterie se met à clignoter après appui sur le bouton G⑦b, cela signifie que la batterie est vide
  - ! si 2 niveaux de l'indicateur de batterie se mettent à clignoter après appui sur le bouton G⑦c, la batterie n'est pas dans la plage de température de fonctionnement autorisée
- Protection de la batterie
  - L'outil est soudainement mis hors tension ou la mise sous tension est empêchée lorsque
    - la charge est trop élevée --> retirez la charge et redémarrez l'outil
    - la température de la batterie est hors de la plage de températures de fonctionnement autorisée de -20 à +50°C --> 2 niveaux de l'indicateur de niveau de charge de la batterie se mettent à clignoter lorsque vous appuyez sur le bouton G⑦c ; attendez que la batterie soit revenue dans la plage de température de fonctionnement autorisée
    - la batterie est presque déchargée (pour empêcher qu'elle ne se décharge complètement) --> un niveau de batterie faible ou un niveau de batterie clignotant ⑦b est indiqué par l'indicateur de charge de la batterie lorsque vous appuyez sur le bouton G ; chargez la batterie



**! ne continuez pas à appuyer sur l'interrupteur marche/arrêt après l'arrêt automatique de l'outil ; cela pourrait endommager la batterie**

- Inversion du sens de rotation ⑧
  - quand l'outil n'est pas correctement réglé sur la position gauche/droite, l'interrupteur B② ne peut pas être activé
- **! inversez le sens de rotation uniquement lorsque l'outil est complètement à l'arrêt**
- Installation et retrait des embouts ⑨a & ⑨b
  - **! nettoyez l'accessoire SDS+ avant l'emploi et le graissez légèrement**
    - insérez l'accessoire dans le mandrin SDS+ tout en l'enfonçant en tournant jusqu'à ce qu'il s'enclenche; l'accessoire se bloque de lui-même
    - tirez sur l'accessoire pour contrôler qu'il est bien bloqué
    - retirez l'accessoire en tirant sur la douille de verrouillage D
  - **! l'accessoire SDS+ doit rester mobile ce qui entraîne un effet visuel excentrique lorsque l'outil est en marche; cependant, le centrage de l'accessoire se fait automatiquement durant l'opération sans que la précision du perçage ne soit affectée**
  - **! n'utilisez pas des embouts avec une tige endommagée**
- Interrupteur combiné de marche/arrêt ⑩ et de réglage de la vitesse ⑪
  - contrôle de la vitesse de zéro au maximum en appuyant plus ou moins sur l'interrupteur B
- Sélection du mode de fonctionnement ⑫
  - sélectionnez le mode de fonctionnement de votre choix en tournant l'interrupteur C jusqu'à ce qu'il se bloque
  - 1 = perçage normal/vissage
  - 2 = perçage de percussion
  - 3 = ciselage avec ciseau rotatif
  - 4 = ciselage avec ciseau fixe
- **! sélectionner le mode de fonctionnement uniquement lorsque l'outil est éteint et que la batterie est retirée**
  - le mécanisme de martelage est déclenché par une légère pression sur l'outil lorsque la mèche est en contact avec le matériau à travailler
  - après peu de temps, le mécanisme de martelage se met à fonctionner à plein régime
  - de performants résultats de martelage ne sont obtenus que par une légère pression sur l'outil; une pression plus importante n'accroît en aucun cas les performances de perçage
- Ciselage avec ciseau fixe ⑬
  - **! coupez l'outil et retirez la batterie**
    - sélectionnez le mode de ciselage "rotatif"
    - placez le ciseau dans la position souhaitée
    - sélectionnez le mode de ciselage "fixe"
- Éclairage LED ⑭
  - le voyant LED E s'allume automatiquement lorsque vous activez l'interrupteur B
  - **! lorsque l'éclairage LED commence à clignoter, la protection de la batterie est activée (voir ci-dessus)**
- Tenue et guidage de l'outil ⑮
  - **! lorsque vous travaillez, tenez toujours l'outil par la**

**ou les zone(s) de préhension de couleur grise**  
- **utilisez toujours la poignée auxiliaire J** (peut être réglée comme illustré) ⑯

- veillez à ce que les fentes de ventilation F② soient dégagées
- ne pas appuyez trop fortement sur l'outil; laissez l'outil travailler pour vous
- Réglage de la profondeur de perçage ⑰

## CONSEILS D'UTILISATION

- Utilisez les embouts appropriés ⑱
  - **! utilisez seulement des embouts bien affûtés**
- Pour le perçage avec des mèches SDS dans le bois, le métal ou le plastique, utilisez un adaptateur (non fourni en standard)⑲
  - **! nettoyez l'accessoire SDS+ avant l'emploi et le graissez légèrement**
    - tirez sur la douille de verrouillage D et insérez l'adaptateur dans le mandrin SDS+ tout en l'enfonçant en tournant jusqu'à ce qu'il s'enclenche; l'adaptateur se bloque de lui-même
    - tirez sur l'adaptateur pour contrôler qu'il est bien bloqué
    - sélectionnez la fonction perçage normal avec l'interrupteur C (uniquement lorsque l'outil n'est pas sous tension et que l'interrupteur est verrouillé)
- Quand vous percez des métaux ferreux
  - pour faire un gros trou, faites un avant-trou plus petit
  - lubrifiez le foret de temps en temps
- Quand vous devez visser une vis près d'une arête de bois ou à la fin d'une coupe transversale, il est préférable de faire un avant-trou afin d'éviter de faire craquer le bois
- Perçage sans éclat dans le bois ⑳
- Perçage sans poussières dans les murs ㉑
- Perçage sans poussière dans les plafonds ㉒
- Perçage des carreaux sans glisser ㉓
- Pour plus d'informations, voir [www.skil.com](http://www.skil.com)

## ENTRETIEN / RÉPARATION

- Cet outil n'est pas conçu pour un usage professionnel
- Maintenez toujours l'outil propre (surtout les fentes de ventilation F②)
  - **! retirez la batterie de l'outil avant de procéder au nettoyage**
- Si, malgré tous les soins apportés à la fabrication et au contrôle de l'outil, celui-ci devait avoir un défaut, la réparation ne doit être confiée qu'à une station de service après-vente agréée pour outillage SKIL
- Retournez l'outil non démonté avec votre preuve d'achat auprès du revendeur ou du service après-vente SKIL le plus proche (les adresses ainsi que la vue élargie de l'outil figurent sur [www.skil.com](http://www.skil.com))
- Veuillez noter que tout dégât causé par une surcharge ou une mauvaise utilisation de l'outil ne sera pas couvert par la garantie (pour connaître les conditions de la garantie SKIL, surfez sur [www.skil.com](http://www.skil.com) ou adressez-vous à votre revendeur)

## ENVIRONNEMENT

- **Ne jetez pas les outils électriques, les piles, les accessoires et l'emballage dans les ordures ménagères** (pour les pays européens uniquement)
  - conformément à la directive européenne 2012/19/EG

relative aux déchets d'équipements électriques ou électroniques, et à sa transposition dans la législation nationale, les outils électriques usés doivent être collectés séparément et faire l'objet d'un recyclage respectueux de l'environnement

- le symbole ⑥ vous le rappellera au moment de la mise au rebut de l'outil

**! avant d'envoyer les batteries au recyclage, pour éviter un éventuel court-circuit, il convient de revêtir les bornes d'un épais ruban adhésif isolant**



## BRUIT / VIBRATION

- Mesurés selon EN62841, le niveau de pression sonore de cet outil est de 93.4 dB(A), le niveau de puissance acoustique est de 104.4 dB(A) (incertitude K = 3 dB) et la vibration\* (somme vectorielle triax ; incertitude K = 1.5 m/s<sup>2</sup>)
    - \* lors du perçage au marteau dans le béton 16.2 m/s<sup>2</sup>
    - \* lors du ciselage 12.8 m/s<sup>2</sup>
  - Le niveau de vibrations émises a été mesuré conformément à l'essai normalisé de la norme EN62841; il peut être utilisé pour comparer plusieurs outils et pour réaliser une évaluation préliminaire de l'exposition aux vibrations lors de l'utilisation de l'outil pour les applications mentionnées
  - l'utilisation de l'outil dans d'autres applications, ou avec des accessoires différents ou mal entretenus, peut considérablement **augmenter** le niveau d'exposition
  - la mise hors tension de l'outil et sa non-utilisation pendant qu'il est allumé peuvent considérablement **réduire** le niveau d'exposition
- ! protégez-vous contre les effets des vibrations par un entretien correct de l'outil et de ses accessoires, en gardant vos mains chaudes et en organisant vos horaires de travail**

D

## Bürstenloser Akku-Bohrhammer

3851

### EINLEITUNG

- Dieser Hammer ist zum Schlagbohren in Beton, Ziegel und Gestein sowie zum Bohren in Holz, Metall, Keramik und Kunststoff vorgesehen. Werkzeuge mit elektronischer Drehzahlregelung und Rechts-/ Linkslauf sind auch zum Schrauben und Gewindeschneiden geeignet
- Das Hammerbohr-System bei diesem Werkzeug übertrifft bei weitem alle Schlagbohrmaschinen beim Bohren in Beton
- Dieses Werkzeug erlaubt den Gebrauch jedes normalen SDS+ Zubehörs
- Dieses Werkzeug eignet sich nicht für den

professionellen Einsatz

- Wenn Teile fehlen oder beschädigt sind, wenden Sie sich an Ihren Händler
- **Diese Bedienungsanleitung vor dem Gebrauch sorgfältig durchlesen und aufbewahren** ③
- **Achten Sie besonders auf die Sicherheits- und Warnhinweise. Es können schwere Verletzungen verursacht werden, wenn die Anweisungen missachtet werden**

## TECHNISCHE DATEN ①

### WERKZEUGKOMPONENTEN ②

- A Drehrichtungs-Wahlschalter (Rechtslauf/ Zentrierverriegelung/Linkslauf)
- B Schalter zum Ein-Aus-Schalten und zur Drehzahlregelung
- C Schalter zum Wählen der Betriebsart
- D Verriegelungshülse
- E LED-Lampe
- F Lüftungsschlitze
- G Taster für Ladestandsanzeige
- H Tiefenanschlag
- J Zusatzhandgriff

## SICHERHEIT

### ALLGEMEINE SICHERHEITSHINWEISE ZU ELEKTROWERKZEUGEN

**⚠️ WARNUNG Beachten Sie alle Warnhinweise, Anweisungen, Abbildungen und technischen Daten, die diesem Elektrowerkzeug beigefügt sind.** Die Nichtbeachtung der unten aufgeführten Anweisungen kann zu Stromschlägen, Bränden und/oder schweren Verletzungen führen.

**Bewahren Sie alle Warn- und Bedienungshinweise für Nachschlagezwecke auf.**

Unter den Begriff „Elektrowerkzeug“ in den Warnhinweisen fallen netzbetriebene (d. h. kabelgebundene) oder akkubetriebene (d. h. kabellose) Elektrowerkzeuge.

#### 1) SICHERHEIT IM ARBEITSBEREICH

- a) **Halten Sie den Arbeitsbereich stets sauber und gut beleuchtet.** Unaufgeräumte oder dunkle Bereiche können Unfälle provozieren.
- b) **Verwenden Sie Elektrowerkzeuge nicht in explosionsgefährdeten Umgebungen wie z. B. in Gegenwart von entzündlichen Flüssigkeiten, Gasen oder Staub.** Elektrowerkzeuge erzeugen Funken, die Staub oder Dämpfe entzünden können.
- c) **Halten Sie Schaulustige und Kinder fern, während Sie das Elektrowerkzeug einsetzen.** Ablenkungen können dazu führen, dass Sie die Kontrolle verlieren.

#### 2) ELEKTRISCHE SICHERHEIT

- a) **Die Netzstecker der Elektrowerkzeuge müssen in die Steckdosen passen. Der Netzstecker darf unter keinen Umständen modifiziert werden. Verwenden Sie keine Adapterstecker an geerdeten Elektrowerkzeugen.** Nicht modifizierte Stecker und

- passende Steckdosen reduzieren die Stromschlaggefahr.
- b) **Vermeiden Sie den Körperkontakt zu geerdeten Flächen wie zum Beispiel Rohrleitungen, Heizkörpern, Herden und Kühlschränken.** Es besteht erhöhte Stromschlaggefahr, wenn Ihr Körper geerdet ist.
  - c) **Schützen Sie Elektrowerkzeuge vor Regen oder feuchten Bedingungen.** Wenn Wasser in das Elektrowerkzeug eindringt, besteht erhöhte Stromschlaggefahr.
  - d) **Das Kabel darf nicht zweckentfremdet werden. Das Netzkabel darf nicht zum Tragen, Ziehen oder Herausziehen des Elektrowerkzeugs aus der Steckdose verwendet werden. Das Netzkabel muss vor Hitze, Öl, scharfen Kanten oder beweglichen Teilen ferngehalten werden.** Durch beschädigte oder verknottete Kabel besteht erhöhte Stromschlaggefahr.
  - e) **Wenn Sie ein Elektrowerkzeug im Freien benutzen, verwenden Sie ein Verlängerungskabel, das für den Gebrauch im Freien geeignet ist.** Die Stromschlaggefahr verringert sich bei Gebrauch eines Netzkabels, das für den Einsatz im Freien geeignet ist.
  - f) **Wenn der Gebrauch eines Elektrowerkzeuges an einem feuchten Ort unvermeidbar ist, benutzen Sie eine durch eine Fehlerstromschutzeinrichtung (FI-Schalter) geschützte Stromquelle.** Die Verwendung einer Fehlerstromschutzeinrichtung reduziert die Stromschlaggefahr.
- 3) PERSONENSICHERHEIT**
- a) **Seien Sie wachsam, geben Sie darauf Acht, was Sie tun, und benutzen Sie Ihren gesunden Menschenverstand, wenn Sie ein Elektrowerkzeug verwenden. Betreiben Sie das Gerät nicht, wenn Sie müde oder unter dem Einfluss von Drogen, Alkohol oder Medikamenten stehen.** Ein Moment der Unachtsamkeit kann beim Gebrauch eines Elektrowerkzeugs zu ernsthaften Verletzungen führen.
  - b) **Tragen Sie eine persönliche Schutzausrüstung. Tragen Sie immer einen Augenschutz.** Durch eine Schutzausrüstung wie etwa eine Staubschutzmaske, rutschfeste Schuhe, Schutzhelm oder Gehörschutz lässt sich die Verletzungsgefahr den Umständen entsprechend verringern.
  - c) **Ungewollten Anlauf verhindern. Vor dem Anschließen an eine Steckdose und/oder einen Akku und vor dem Aufnehmen oder Transportieren des Geräts immer kontrollieren, ob der Hauptschalter in ausgeschalteter Position ist.** Unfälle sind vorprogrammiert, wenn Sie Elektrowerkzeuge mit einem Finger am Betriebsschalter tragen oder Elektrowerkzeuge mit eingeschaltetem Betriebsschalter an eine Steckdose anschließen.
  - d) **Entfernen Sie alle Einstellschlüssel oder Schraubenschlüssel, bevor Sie das Elektrowerkzeug einschalten.** Ein Schraubenschlüssel oder ein Schlüssel, der noch an einem beweglichen Teil des Elektrowerkzeuges befestigt ist, kann Verletzungen hervorrufen.
  - e) **Nicht überstrecken. Achten Sie stets auf einen festen Stand und halten Sie das Gleichgewicht.** Dies ermöglicht in unerwarteten Situationen eine bessere Kontrolle über das Elektrowerkzeug.
  - f) **Tragen Sie angemessene Kleidung. Tragen Sie keine weite Kleidung oder Schmuck. Halten Sie Ihr Haar**

- und Ihre Kleidung von den beweglichen Teilen fern.** Weite Kleidung, Schmuck oder langes Haar können sich in den beweglichen Teilen verfangen.
- g) **Wenn Komponenten zum Anschluss an eine Absauganlage und an Auffangvorrichtungen mitgeliefert werden, achten Sie darauf, dass diese ordnungsgemäß befestigt und benutzt werden.** Die Verwendung einer Staubauffangvorrichtung kann Gefahren durch Staub reduzieren.
  - h) **Lassen Sie sich nicht durch die aufgrund häufiger Benutzung entstandene Vertrautheit mit Werkzeugen dazu verleiten, unachtsam zu werden und die für Werkzeuge geltenden Sicherheitsgrundsätze zu ignorieren.** Eine fahrlässige Handlung kann bereits im Bruchteil einer Sekunde zu schweren Verletzungen führen.
- 4) GEBRAUCH UND PFLEGE DES ELEKTROWERKZEUGS**
- a) **Üben Sie keinen übermäßigen Druck auf das Elektrowerkzeug aus. Verwenden Sie ein geeignetes Elektrowerkzeug für die jeweiligen Arbeiten.** Durch das passende Elektrowerkzeug lassen sich die Arbeiten besser und sicherer in dem jeweils vorgesehenen Tempo erledigen.
  - b) **Verwenden Sie das Elektrowerkzeug nicht, wenn es sich mit dem Schalter weder ein- noch ausschalten lässt.** Ein Elektrowerkzeug, das sich über den Schalter nicht betätigen lässt, ist gefährlich und muss repariert werden.
  - c) **Ziehen Sie den Netzstecker aus der Steckdose bzw. nehmen Sie den Akku vom Elektrowerkzeug ab, sofern dieser entfernbar ist, bevor Sie Einstellungen vornehmen, das Zubehör wechseln oder das Elektrowerkzeug verstauen.** Solche vorsorglichen Sicherheitsmaßnahmen verringern die Gefahr eines unbeabsichtigten Anlaufs.
  - d) **Bewahren Sie nicht benutzte Elektrowerkzeuge außerhalb der Reichweite von Kindern auf und verbieten Sie Personen die Gerätebenutzung, die das Elektrowerkzeug oder diese Anweisungen nicht kennen.** In den Händen nicht eingewiesener Benutzer stellen Elektrowerkzeuge eine große Gefahr dar.
  - e) **Warten Sie Elektrowerkzeuge und Zubehörteile. Achten Sie auf falsch ausgerichtete oder fest sitzende bewegliche Teile, Bruchstellen und sonstige Umstände, die die Funktion des Elektrowerkzeuges beeinträchtigen können. Lassen Sie beschädigte Elektrowerkzeuge reparieren, bevor Sie sie wieder einsetzen.** Viele Unfälle entstehen durch schlecht gewartete Elektrowerkzeuge.
  - f) **Halten Sie Schneidwerkzeuge scharf und sauber.** Sachgemäß gewartete Schneidwerkzeuge mit scharfen Schneiden neigen weniger zum Festfahren und sind leichter zu kontrollieren.
  - g) **Benutzen Sie das Elektrowerkzeug, Zubehör, Bits usw. gemäß diesen Anweisungen und berücksichtigen Sie dabei die Arbeitsbedingungen und die auszuführenden Arbeiten.** Die Verwendung des Elektrowerkzeugs für Aufgaben, die von seinem bestimmungsgemäßen Zweck abweichen, können zu gefährlichen Situationen führen.
  - h) **Halten Sie die Griffe und Griffflächen trocken, sauber und frei von Öl und Fett.** Rutschige Griffe und

Griffflächen beeinträchtigen die sichere Handhabung des Werkzeugs und führen in unerwarteten Situationen zum Verlust der Kontrolle über das Werkzeug.

#### 5) BENUTZUNG UND PFLEGE VON AKKUGERÄTEN

- a) **Laden Sie den Akku nur mit dem vom Hersteller vorgegebenen Ladegerät auf.** Ein Ladegerät, das für einen bestimmten Akkutyp geeignet ist, kann bei der Benutzung eines anderen Akkus zu einer Brandgefahr werden.
- b) **Benutzen Sie für die Elektrowerkzeuge nur die jeweils zugehörigen Akkus.** Durch die Verwendung anderer Akkus besteht Verletzungs- und Brandgefahr.
- c) **Wenn der Akku nicht benutzt wird, halten Sie ihn von anderen metallischen Gegenständen fern, wie etwa Büroklammern, Münzen, Schlüssel, Nägel, Schrauben oder anderen kleinen Metallgegenständen, die eine Verbindung zwischen den Polen herstellen können.** Das Kurzschließen der Pole kann Verbrennungen oder Brände verursachen.
- d) **Bei unsachgemäßer Anwendung kann Flüssigkeit aus dem Akku austreten; Kontakt vermeiden. Falls Sie versehentlich mit Akkusäure in Berührung gekommen sind, spülen Sie mit Wasser. Falls Akkusäure in die Augen geraten ist, suchen Sie zudem einen Arzt auf.** Aus dem Akku austretende Flüssigkeit kann Reizungen oder Verätzungen verursachen.
- e) **Benutzen Sie keinen Akku oder ein Werkzeug, das beschädigt oder umgebaut wurde.** Beschädigte oder umgebaute Akkus können sich unvorhergesehen verhalten, wodurch möglicherweise ein Brand, eine Explosion oder Verletzung verursacht wird.
- f) **Akkus oder Werkzeuge vor Feuer oder extremen Temperaturen schützen.** Feuer oder Temperaturen über 130 °C können eine Explosion verursachen.
- g) **Befolgen Sie alle Ladeanweisungen und laden Sie den Akku oder das Werkzeug nicht außerhalb des Temperaturbereichs auf, der in der Anleitung angegeben ist.** Das unsachgemäße Aufladen oder Laden außerhalb des angegebenen Temperaturbereichs kann den Akku beschädigen und die Brandgefahr erhöhen.
- #### 6) REPARATUREN
- h) **Lassen Sie Ihr Elektrowerkzeug von einer qualifizierten Fachkraft und nur unter Verwendung baugleicher Ersatzteile reparieren.** Nur so kann für die Sicherheit des Elektrowerkzeugs gesorgt werden.
- i) **Reparieren Sie unter keinen Umständen beschädigte Akkus.** Akkus sollten ausschließlich vom Hersteller selbst oder einer autorisierten Reparaturwerkstatt repariert werden.

#### SICHERHEITSHINWEISE FÜR AKKU-BOHRHAMMER

- **Gehörschützer tragen.** Lärmexposition kann zu Gehörverlust führen
- **Benutzen Sie den bzw. die Zusatzhandgriffe, sofern zu dem Gerät mitgeliefert.** Ein Verlust der Kontrolle über das Gerät kann Verletzungen hervorrufen
- **Halten Sie das Elektrowerkzeug an den isolierten Griffflächen fest, wenn Sie Arbeiten ausführen, bei denen das Schneidzubehör verborgene Stromleitungen treffen kann** (der Kontakt mit einer

spannungsführenden Leitung kann auch Metallteile des Elektrowerkzeuges unter Spannung setzen und den Bediener durch einen Stromschlag gefährden)

#### SICHERHEITSHINWEISE BEI VERWENDUNG LANGER BOHRER IN BOHRHAMMERN

- **Bohren Sie anfangs immer mit niedriger Drehzahl. Die Bohrspitze muss stets im Kontakt mit dem Werkstück sein.** Bei höheren Geschwindigkeiten kann sich der Bohrer verbiegen, wenn er sich frei drehen kann, ohne das Werkstück zu berühren. Dies kann zu Verletzungen führen.
- **Druck nur in direkter Linie mit dem Bohrer ausüben und keinen übermäßigen Druck ausüben.** Bohrer können sich verbiegen, sodass sie brechen oder einen Kontrollverlust herbeiführen. Dadurch besteht Verletzungsgefahr.

#### ALLGEMEINES

- **Bearbeiten Sie kein asbesthaltiges Material** (Asbest gilt als krebserregend)
- Das Werkzeug ist nur für Personen ab 16 Jahren geeignet
- Der Staub von Materialien wie bleihaltiger Farbe, bestimmten Holzarten, Mineralien und Metallen kann gesundheitsschädlich sein (das Einatmen oder der Kontakt mit diesen Stäuben kann allergische Reaktionen und/oder Atemwegserkrankungen beim Benutzer oder bei Passanten auslösen); **tragen Sie eine Staubmaske und arbeiten Sie mit einer Staubabsaugung, sofern ein Anschluss dafür vorhanden ist**
- Bestimmte Stäube sind als krebserregend eingestuft (beispielsweise Eichen- und Buchenholzstaub), insbesondere in Verbindung mit Zusätzen für die Holzvorbehandlung. **Tragen Sie eine Staubmaske und arbeiten Sie mit einer Staubabsaugung, sofern anschließbar**
- Beachten Sie die für Ihr verwendetes Verbrauchsmaterial gültigen nationalen Staubschutzvorgaben

#### VOR DER ANWENDUNG

- Beschädigungen durch Schrauben, Nägel und ähnliches an Ihrem Werkstück melden; vor Arbeitsbeginn müssen diese entfernt werden
- **Spannen Sie das Werkstück ein** (Wird das Werkstück von einer Spannvorrichtung gehalten oder in einen Schraubstock eingespannt, ist das Arbeiten sicherer als beim Festhalten mit der Hand)
- **Verwenden Sie geeignete Suchgeräte, um unter Putz verlegte Leitungen aufzuspüren. Wenden Sie sich alternativ an einen Elektrofachbetrieb.** Der Kontakt mit Elektroleitungen kann Brände und Stromschläge hervorrufen. Bei Beschädigung einer Gasleitung besteht Explosionsgefahr. Durch das Anbohren einer Wasserleitung besteht die Gefahr einer Sachbeschädigung oder Stromschlaggefahr.
- Stellen Sie sicher dass Richtungswahlschalter B2 auf die mittlere Verriegelungsposition gestellt ist, bevor Sie Einstellungen vornehmen, Zubehör wechseln oder das Werkzeug transportieren bzw. verstauen.
- Beachten Sie die auftretenden Kräfte beim Blockieren (besonders beim Bohren in Metall). Das Werkzeug **immer am Zusatzgriff festhalten** und einen sicheren Stand einnehmen

#### ZUBEHÖR

- SKIL kann nur dann die einwandfreie Funktion des

Werkzeuges zusichern, wenn Original-Zubehör verwendet wird

- Nur Zubehör verwenden, dessen zulässige Drehzahl mindestens so hoch ist wie die höchste Leerlaufdrehzahl des Werkzeuges

#### NACH DER ANWENDUNG

- Sobald Sie sich von Ihrem Werkzeug entfernen, sollte dieses ausgeschaltet werden und die sich bewegenden Teile vollkommen zum Stillstand gekommen sein

#### AKKU

- **Der mitgelieferte Akku ist nur teilgeladen.** Um die volle Kapazität des Akkus nutzen zu können, laden Sie den Akku im Ladegerät vollständig auf, bevor Sie das Elektrowerkzeug zum ersten Mal verwenden.
- **Nur die mit diesem Werkzeug mitgelieferten Batterien und Ladegeräte verwenden**
  - SKIL-Akku:BR1\*31\*\*\*\*
  - SKIL-Ladegerät:CR1\*31\*\*\*\*
- Beschädigte Akkus nicht verwenden sondern sofort ersetzen
- Die Batterie nicht auseinandernehmen
- Das Werkzeug/die Batterie niemals Regen aussetzen
- Erlaubte Umgebungstemperatur (Werkzeug/Ladegerät/Batterie):
  - beim Laden 4...40°C
  - im Betrieb -20...+50°C
  - bei Lagerung -20...+50°C

#### ERKLÄRUNG DER SYMBOLE AUF DEM WERKZEUG/ AKKU

- ③ Die Bedienungsanleitung vor dem Gebrauch lesen
- ④ Batterien werden bei Kontakt mit Feuer explodieren, die Batterien daher niemals verbrennen
- ⑤ Bewahren Sie das Werkzeug/Ladegerät/Akku stets bei Raumtemperaturen unter 50°C auf
- ⑥ Elektrowerkzeuge und Akkus nicht in den Hausmüll werfen

#### BEDIENUNG

- Aufladen des Akkus
  - ! **Lesen Sie die Sicherheitshinweise und Anweisungen, die Ladegerät beiliegen**
- Anbringen/Abnehmen des Akkus ②
- Ladestandsanzeige ⑦
  - Drücken Sie auf den Taster für die Ladestandsanzeige G, um den aktuellen Ladezustand des Akkus abzufragen ⑦a
  - ! **Wenn nach dem Drücken des Tasters für die Ladestandsanzeige G ⑦b der niedrigste Ladezustand in der Anzeige blinkt, ist der Akku leer**
  - ! **Wenn nach dem Drücken des Tasters für die Ladestandsanzeige G ⑦c 2 Balken blinken, ist der Akku nicht im zulässigen Betriebstemperaturbereich**
- Akkuschutz
  - Das Gerät wird plötzlich ausgeschaltet oder kann nicht mehr eingeschaltet werden, wenn
    - **die Belastung zu stark ist** --> Gerät entlasten und neu starten
    - **die Akkutemperatur nicht im zulässigen Betriebstemperaturbereich von -20 bis +50° C liegt** --> Wenn nach dem Drücken des Tasters für die Ladestandsanzeige G ⑦c 2 Balken blinken,

warten, bis sich der Akku wieder im zulässigen Betriebstemperaturbereich befindet

- **der Akku fast leer ist (zum Schutz vor Tiefentladung)** --> Nach dem Drücken der Taste G wird ein niedriger Ladestand oder ein blinkender niedriger Ladestand ⑦b angezeigt ; Akku aufladen
- ! **Wenn sich das Gerät automatisch abgeschaltet hat, nicht weiterhin den Ein-/Ausschalter drücken; der Akku kann dadurch beschädigt werden**
- Umschalten der Drehrichtung ⑧
  - Wenn der Schalter nicht korrekt links/rechts einrastet, kann der Schalter B ② nicht betätigt werden
  - ! **Drehrichtung nur dann wechseln, wenn das Werkzeug vollkommen stillsteht**
- Bits einsetzen und entfernen ⑨a & ⑨b
  - ! **Das SDS+ Zubehör vor dem Einsetzen reinigen und leicht fetten**
  - Das Zubehör in die SDS+ Aufnahme einsetzen. Dabei drehen und Druck ausüben, bis es einrastet. Das Zubehör verriegelt sich selbsttätig
  - Verriegelung durch Ziehen am Zubehör prüfen
  - Verriegelungshülse D zurückziehen, um das Zubehör zu entnehmen
  - ! **Das SDS+ Zubehör muss Bewegungsfreiheit haben. Im unbelasteten Zustand kann dadurch eine Außermittigkeit entstehen. Das Zubehör zentriert sich aber beim Bohren selbsttätig, ohne dass die Bohrgenauigkeit leidet**
  - ! **Keine Bits mit beschädigtem Schaft benutzen**
- Kombischalter zum Ein-/Ausschalten ⑩ und zur Drehzahlregelung ⑪
  - Durch mehr oder weniger Druck bei der Schalterbetätigung B kann die Geschwindigkeit von Null bis Maximum stufenlos verstellt werden
- Betriebsart wählen ⑫
  - Schalter C auf die gewünschte Betriebsart stellen, bis er einrastet
    - 1 = normales Bohren/Schrauben
    - 2 = Schlagbohren
    - 3 = Meißeln mit rotierendem Meißel
    - 4 = Meißeln mit feststehendem Meißel
  - ! **Betriebsart nur bei ausgeschalteter Maschine und entferntem Akku umstellen**
  - Der Schlagbohrmechanismus wird durch einen leichten Druck auf das Werkzeug aktiviert, sobald der Bohrer das Werkstück kontaktiert
  - Es dauert einen Moment, bis der Schlagbohrmechanismus seine volle Schlagkraft erreicht
  - beste Hammerbohrergebnisse können nur durch einen leichten Druck auf das Werkzeug erzielt werden; größerer Druck verbessert nicht das Bohrerergebnis
- Meißeln mit feststehendem Meißel ⑬
  - ! **Gerät abschalten und den Akku entnehmen**
  - die Betriebsart für "rotierendes" Meißeln wählen
  - den Meißel in die gewünschte Stellung bringen
  - die Betriebsart für "feststehendes" Meißeln wählen
- LED-Lampe ⑭
  - Die LED-Lampe E schaltet sich automatisch ein, wenn Schalter B betätigt wird
  - ! **Wenn die LED-Arbeitsleuchte zu blinken beginnt, ist der Akkuschutz aktiviert (siehe oben)**
- Halten und Führen des Werkzeugs ⑮

**! Das Werkzeug beim Arbeiten immer an den grauen Griffflächen festhalten**

- Immer am Zusatzgriff festhalten (kann gemäß Abbildung verstellt werden) ⑩
- Lüftungsschlitze F ② nicht zudecken
- Nicht zu viel Druck auf das Werkzeug ausüben, sondern dem Werkzeug die Arbeit überlassen
- Einstellen der Bohrtiefe ⑰

## ANWENDUNGSHINWEISE

- Geeignete Bits verwenden ⑱
- ! Nur scharfe Bits verwenden**
- Um mit einem herkömmlichen Bohrer ohne SDS in Holz, Metall und Kunststoff zu bohren, muss ein Adapter (nicht im Lieferumfang enthalten) benutzt werden ⑱
- ! Das SDS+ Zubehör vor dem Einsetzen reinigen und leicht fetten**
- Verriegelungshülse D zurückziehen und den Adapter in die SDS+ Aufnahme einführen. Dabei den Adapter drehen und andrücken, bis er einrastet. Der Adapter verriegelt sich selbsttätig
- Verriegelung durch Ziehen am Adapter prüfen
- Schalter V auf normales Bohren stellen (nur bei ausgeschaltetem Gerät und verriegeltem Schalter umstellen)
- Beim Bohren in Eisenmetallen
  - kleines Loch vorbohren wenn ein größeres Loch benötigt ist
  - Bits gelegentlich mit Öl einfetten
- Beim Eindrehen einer Schraube am Ende oder Kopfstück eines Holzes sollte ein Loch vorgebohrt werden um ein Spalten des Holzes zu vermeiden
- Splitterfreies Bohren in Holz ⑳
- Staubfreies Bohren in Mauerwerk ㉑
- Staubfreies Bohren in Decken ㉒
- Bohren in Fliesen ohne Abrutschen ㉓
- Für weitere Informationen verweisen wir auf [www.skil.com](http://www.skil.com)

## WARTUNG / PFLEGE

- Dieses Werkzeug eignet sich nicht für den professionellen Einsatz
- Halten Sie das Werkzeug immer sauber (besonders die Lüftungsschlitze F ②)
- ! Vor dem Reinigen den Akku vom Werkzeug abnehmen**
- Sollte das Elektrowerkzeug trotz sorgfältiger Herstellungs- und Prüfverfahren einmal ausfallen, ist die Reparatur von einer autorisierten Kundendienststelle für SKIL-Elektrowerkzeuge ausführen zu lassen
  - Schicken Sie das Werkzeug unzerlegt zusammen mit dem Kaufbeleg an den Fachhändler oder an die nächste SKIL-Vertragswerkstatt (die Anschriften sowie die Ersatzteilzeichnung des Werkzeuges finden Sie auf [www.skil.com](http://www.skil.com))
- Wir weisen darauf hin, dass Schäden aufgrund einer Überlastung oder unsachgemäßen Handhabung von der Garantie ausgeschlossen sind (die SKIL-Garantiebedingungen finden Sie unter [www.skil.com](http://www.skil.com) oder fragen Sie Ihren Händler)

## UMWELT

- **Elektrowerkzeuge, Akkus, Zubehör und Verpackungen nicht zusammen in den Hausmüll werfen** (nur für EU-Länder)

- Gemäß der europäischen Richtlinie 2012/19/EG über Elektro- und Elektronik-Altgeräte und ihrer Umsetzung in nationales Recht müssen nicht mehr gebrauchsfähige Elektrowerkzeuge getrennt gesammelt und einer umweltgerechten Wiederverwertung zugeführt werden
- Hieran soll Sie das Symbol ⑥ erinnern

**! Vor dem Entsorgen des Akkus die Pole mit Isolierband zukleben, um einen Kurzschluss zu verhindern**

## GERÄUSCH / VIBRATION

- Laut Messung gemäß EN 62841 beträgt der Schalldruckpegel dieses Werkzeugs 93.4 dB(A) und der Schalleistungspegel 104.4 dB(A) (Unsicherheit K = 3 dB). Die Vibration beträgt\* (Triaxvektorsumme; Unsicherheit K = 1.5 m/s<sup>2</sup>)
    - \* Beim Schlagbohren in Beton 16.2 m/s<sup>2</sup>
    - \* Beim Meißeln 12.8 m/s<sup>2</sup>
  - Die Vibrationsemissionsstufe wurde mit einem standardisierten Test gemäß EN62841 gemessen. Sie kann verwendet werden, um ein Werkzeug mit einem anderen zu vergleichen und dient als vorläufige Beurteilung der Vibrationsexposition bei Verwendung des Werkzeugs für die angegebenen Anwendungszwecke
    - Die Verwendung des Werkzeugs für andere Anwendungen oder mit anderem oder schlecht gewartetem Zubehör kann den Expositionsgrad erheblich **erhöhen**
    - Zeiten, zu denen das Werkzeug ausgeschaltet oder bei denen es in Betrieb ist aber nicht zum Einsatz kommt, können den Expositionsgrad erheblich **verringern**
- ! Schützen Sie sich vor den Auswirkungen der Vibration durch Wartung des Werkzeugs und des Zubehörs, halten Sie Ihre Hände warm und organisieren Sie Ihre Arbeitsweise**

NL

## Opladbare boorhamer zonder borstel

3851

### INLEIDING

- Dit gereedschap is bestemd voor het hamerboren in beton, baksteen en steen en voor het boren in hout, metaal, keramiek en kunststof; machines met elektronische toerentalregeling en rechts-/linksdraaien zijn ook geschikt voor het in- en uitdraaien van schroeven en het snijden van schroefdraad
- Het hamer-systeem in deze machine overtreft de beton-boorprestatie van iedere traditionele kloppoormachine
- Deze machine is zo ontworpen, dat alle standaard SDS+ accessoires gebruikt kunnen worden
- Dit gereedschap is niet bedoeld voor professioneel gebruik
- Als onderdelen ontbreken of beschadigd zijn, neemt u contact op met de dealer
- **Lees deze gebruiksaanwijzing aandachtig door en bewaar hem zodat u hem in de toekomst kunt raadplegen** ③

- **Let met name op de veiligheidsinstructies en de waarschuwingen; het niet in acht nemen hiervan kan ernstig letsel tot gevolg hebben**

## TECHNISCHE GEGEVENS ①

### GEREEDSCHAPSELEMENTEN ②

- A Draairichting (vooruit/middenvergrendeling/ achteruit) keuzeschakelaar
- B Schakelaar voor aan/uit en toerentalregeling
- C Knop voor selecteren van functie-stand
- D Vergrendelingshuls
- E LED-lampje
- F Ventilatieopeningen
- G Accu niveau-indicator knop
- H Diepteaanslag
- J Ondersteunende handgreep

## VEILIGHEID

### ALGEMENE VEILIGHEIDSWAARSCHUWINGEN VOOR ELEKTRISCH GEREEDSCHAP

**⚠ WAARSCHUWING** Lees alle veiligheidswaarschuwingen, instructies, illustraties en specificaties die met dit elektrisch gereedschap zijn meegeleverd. Het negeren van onderstaande instructies kan leiden tot een elektrische schok, brand en/of ernstig letsel.

**Bewaar alle waarschuwingen en instructies voor toekomstig gebruik.**

De term "elektrisch gereedschap" in de waarschuwingen verwijst naar uw op het voedingsnet aangedreven (met snoer) elektrisch gereedschap of batterij aangedreven (snoerloos) elektrisch gereedschap.

#### 1) VEILIGHEID OP DE WERKPLAATS

- a) **Houd uw werkplaats schoon en goed verlicht.** Rommelige of donkere ruimten kunnen ongevallen veroorzaken.
- b) **Gebruik geen elektrisch gereedschap in ruimten waar een explosieve atmosfeer kan ontstaan, bijvoorbeeld in de aanwezigheid van ontvlambare vloeistoffen, gassen of stof.** Elektrisch gereedschap creëert vonken, deze kunnen stof of dampen in brand steken.
- c) **Houd kinderen en omstanders uit de buurt wanneer u een elektrisch gereedschap bedient.** Afleiding kan tot controleverlies leiden.

#### 2) ELEKTRISCHE VEILIGHEID

- a) **De stekker van het elektrisch gereedschap dient met het stopcontact overeen te stemmen. Pas de stekker op geen enkele manier aan. Gebruik geen adapterstekker met geaard elektrisch gereedschap.** Niet aangepaste stekkers en overeenkomstige stopcontacten beperken het risico op elektrische schokken.
- b) **Vermijd lichamelijk contact met geaarde oppervlakken, zoals pijpleidingen, radiatoren, fornuizen of koelkasten.** Het risico op een elektrische

schok is groter als uw lichaam geaard is.

- c) **Stel elektrisch gereedschap niet bloot aan regen of vochtige omstandigheden.** Water dat elektrisch gereedschap binnendringt, vergroot het risico op een elektrische schok.
- d) **Gebruik de kabel niet op een verkeerde manier. Gebruik de kabel nooit om het elektrisch gereedschap te dragen, te trekken of om de stekker uit het stopcontact te halen. Houd de kabel uit de buurt van hitte, olie, scherpe randen of bewegende onderdelen.** Beschadigde of verstrikte kabels vergroten het risico op een elektrische schok.
- e) **Wanneer u een elektrisch gereedschap buitenshuis bedient, gebruik dan een verlengkabel die geschikt is voor gebruik buitenshuis.** Het gebruik van een kabel die voor gebruik buitenshuis geschikt is, verkleint het risico op een elektrische schok.
- f) **Als het gebruik van elektrisch gereedschap in een vochtige ruimte noodzakelijk is, gebruik een differentieelschakelaar.** Het gebruik van een differentieelschakelaar verkleint het risico op elektrische schokken.

#### 3) PERSOONLIJKE VEILIGHEID

- a) **Wees waakzaam, let op wat u doet en gebruik uw gezond verstand wanneer u elektrisch gereedschap gebruikt. Gebruik het elektrisch gereedschap niet als u moe bent of onder de invloed bent van drugs, alcohol of medicijnen.** Een moment van onoplettendheid tijdens het gebruik van elektrische gereedschappen kan leiden tot ernstig persoonlijk letsel.
- b) **Gebruik persoonlijke beschermingsmiddelen. Draag altijd oogbescherming.** Beschermingsmiddelen zoals een stofmasker, slipvast veiligheidsschoenen, veiligheidshelm of gehoorbescherming afhankelijk van de aard en het gebruik verkleint het risico op persoonlijk letsel.
- c) **Vermijd dat het gereedschap per ongeluk wordt gestart. Zorg dat de schakelaar op de stand 'Uit' is ingesteld voordat u het gereedschap op een stroombron en/of accupack aansluit, vastneemt of draagt.** Het dragen van elektrisch gereedschap met uw vinger op de schakelaar of gereedschap ingeschakeld op de stroomvoorziening aansluiten kan ongevallen veroorzaken.
- d) **Verwijder instelsleutels of moersleutels voordat u het elektrisch gereedschap inschakelt.** Een instelsleutel of moersleutel in een draaiend deel van het elektrisch gereedschap achterlaten kan leiden tot persoonlijk letsel.
- e) **Reik niet te ver. Zorg er altijd voor dat u stevig en stabiel staat.** Dit zorgt ervoor dat u het elektrisch gereedschap in onverwachte situaties beter onder controle kunt houden.
- f) **Draag passende kleding. Draag geen los hangende kleding of sieraden. Houd uw haar en kleding uit de buurt van bewegende onderdelen.** Los hangende kleding, sieraden en lang haar kunnen in bewegende onderdelen verstrikt raken.
- g) **Wanneer de montage van stofafzuiging- of stofopvangvoorzieningen mogelijk is, dient u ervoor te zorgen dat deze juist aangesloten en gebruikt worden.** Het gebruik van een stofopvang kan helpen om het risico in verband met stof te verlagen.

h) **Word niet zelfingenomen door de ervaring die u heeft opgedaan door frequent gebruik, waardoor u dan de veiligheidswaarschuwingen negeert.** Een achteloze actie kan binnen een fractie van een seconde ernstig letsel veroorzaken.

#### 4) ELEKTRISCH GEREEDSCHAP GEBRUIKEN EN ONDERHOUDEN

a) **Overbelast het elektrisch gereedschap niet.**

**Gebruik het juiste elektrisch gereedschap voor uw toepassing.** Met het juiste elektrisch gereedschap werkt u beter en veiliger binnen het aangegeven vermogensbereik.

b) **Gebruik het elektrisch gereedschap niet als de schakelaar niet kan worden in- en uitgeschakeld.** Elektrisch gereedschap dat niet kan worden in- of uitgeschakeld is gevaarlijk en moet worden gerepareerd.

c) **Trek de stekker uit de stroomvoorziening en/of verwijder het accupack, indien deze kan worden verwijderd, uit het elektrisch gereedschap voordat u het instelt, accessoires vervangt of het gereedschap opbergt.** Deze preventieve voorzorgsmaatregelen beperken het risico op onbedoeld starten van het elektrisch gereedschap.

d) **Berg niet-gebruikt elektrisch gereedschap op buiten het bereik van kinderen en zorg ervoor dat personen die niet vertrouwd zijn met het gereedschap of die deze instructies niet hebben gelezen het gereedschap niet gebruiken.** Elektrisch gereedschap is gevaarlijk wanneer het door onervaren personen wordt gebruikt.

e) **Onderhoud het elektrisch gereedschap en de accessoires.** Controleer of de bewegende onderdelen correct functioneren en niet vastklemmen en of de onderdelen zodanig gebroken of beschadigd zijn dat de werking van het elektrisch gereedschap nadelig wordt beïnvloedt. Laat een beschadigd elektrisch gereedschap eerst repareren voordat u het weer in gebruik neemt. Vele ongevallen zijn het gevolg van slecht onderhouden elektrisch gereedschap.

f) **Houd de snij-onderdelen scherp en schoon.** Zorgvuldig onderhouden snij-gereedschap met scherpe snijranden klemt minder snel vast en is gemakkelijker te beheersen.

g) **Gebruik het elektrisch gereedschap, accessoires, inzetgereedschap, etc. in overeenstemming met deze instructies en houd hierbij rekening met de werkomstandigheden en de uit te voeren werkzaamheden.** Het gebruik van elektrisch gereedschap voor andere dan de beoogde toepassingen kan tot gevaarlijke situaties leiden.

h) **Houd de handgrepen en greepvlakken droog, schoon en vrij van olie en smeervet.** Glibberige handgrepen en greepvlakken maken een veilige omgang en de controle over het elektrisch gereedschap in onverwachte situaties onmogelijk.

#### 5) ACCU-GEREEDSCHAP GEBRUIKEN EN ONDERHOUDEN

a) **Opladen alleen met de lader die door de fabrikant is aangegeven.** Een lader die geschikt is voor een bepaald type accupack kan tot brandgevaar leiden wanneer hij gebruikt wordt met een ander accupack.

b) **Gebruik elektrisch gereedschap alleen met het**

**specifiek aangegeven accupack.** Het gebruik van andere accupacks kan risico op letsel en brandgevaar veroorzaken.

c) **Wanneer u het accupack niet gebruikt, houd het uit de buurt van andere metalen voorwerpen zoals paperclips, munten, sleutels, spijkers, schroeven of andere kleine metalen voorwerpen die de twee aansluitklemmen kunnen verbinden.** Het kortsluiten van de aansluitklemmen kan brandwonden of brand veroorzaken.

d) **Bij verkeerd gebruik kan er vloeistof uit de accu worden gespoten; vermijd elk contact. Als aanraking met de vloeistof toevallig plaatsvindt, spoel het dan af met water. Als de vloeistof in de ogen komt, dient u onmiddellijk een arts te consulteren.** Vloeistof dat uit de accu wordt gespoten kan irritatie of brandwonden veroorzaken.

e) **Gebruik een accupack of gereedschap dat is beschadigd of aangepast niet.** Beschadigde of aangepaste accu's kunnen resulteren in onvoorzien gedrag zoals brand, explosie of het risico op letsel.

f) **Stel een accupack of gereedschap niet bloot aan vuur of excessieve temperaturen.** Blootstelling aan vuur of temperaturen boven 130°C kunnen leiden tot een explosie.

g) **Neem alle laad instructies in acht en laad het accupack of het gereedschap niet buiten het gespecificeerde temperatuurbereik in de handleiding op.** Het onjuist laden of bij een temperatuur buiten het temperatuurbereik kan de accu beschadigen en er bestaat een gevaar op brand.

#### 6) SERVICE

a) **Laat uw elektrisch gereedschap repareren door een gekwalificeerde reparateur en alleen met identieke reserve-onderdelen.** Dit waarborgt de veiligheid van het elektrisch gereedschap.

b) **Repareer beschadigde accupacks nooit.** Onderhoud van accupacks mag alleen worden uitgevoerd door de fabrikant of een geautoriseerde dienstverlener.

#### VEILIGHEIDSINSTRUCTIES VOOR OPLAADBARE BOORHAMERS

- **Draag gehoorbescherming.** Blootstelling aan geluid kan gehoorverlies veroorzaken.
- **Gebruik de extra handgreep(handgrepen), indien deze worden meegeleverd.** Controleverlies kan persoonlijk letsel tot gevolg hebben.
- **Houd het elektrische gereedschap aan de geïsoleerde greepvlakken vast als u werkzaamheden uitvoert waarbij het inzetgereedschap verborgen stroomleidingen kan raken** (contact met een onder spanning staande leiding kan ook metalen delen van het elektrische gereedschap onder spanning zetten en tot een elektrische schok leiden)

#### VEILIGHEIDSINSTRUCTIES VOOR HET GEBRUIK VAN LANGE BOREN IN COMBINATIE MET EEN BOORHAMER

- **Begin altijd met boren op lage snelheid en met de punt van het bitje in contact met het werkstuk.** Bij hogere snelheden zal het bitje waarschijnlijk buigen als



het vrij kan draaien zonder contact met werkstuk, wat resulteert in persoonlijk letsel.

- **Oefen alleen druk uit in directe lijn met het bitje en oefen geen overmatige druk uit.** Bitjes kunnen buigen waardoor breuk of verlies van controle ontstaat, wat resulteert in persoonlijk letsel.

#### ALGEMEEN

- **Bewerk geen asbesthoudend materiaal** (asbest geldt als kankerverwekkend)
- Dit gereedschap mag niet worden gebruikt door personen onder de 16 jaar
- Stof van materiaal zoals loodhoudende verf, sommige houtsoorten, mineralen en metaal kunnen schadelijk zijn (contact met of inademing van de stof kan allergische reacties en/of ademhalingsziekten bij gebruiker of omstanders veroorzaken); **draag een stofmasker en werk met een stofopvangvoorziening als die kan worden aangesloten**
- Bepaalde soorten stof zijn geclassificeerd als kankerverwekkend (zoals stof van eiken en beuken), met name in combinatie met toevoegingsmiddelen voor houtverzorging; **draag een stofmasker en werk met een stofopvang-voorziening als die kan worden aangesloten**
- Neem voor de door u te bewerken materialen de nationale voorschriften aangaande stofopvang in acht

#### VÓÓR GEBRUIK

- Voorkom schade, die kan ontstaan door schroeven, spijkers en andere voorwerpen in uw werkstuk; verwijder deze, voordat u aan een karwei begint
- **Zet het werkstuk vast** (een werkstuk, dat is vastgezet met klemmen of in een bankschroef, zit steviger vast dan wanneer het met de hand wordt vastgehouden)
- **Gebruik een geschikt detectieapparaat om verborgen stroom-, gas- of waterleidingen op te sporen of raadpleeg het plaatselijke energie- of waterleidingbedrijf** (contact met elektrische leidingen kan tot brand of een elektrische schok leiden; beschadiging van een gasleiding kan tot een explosie leiden; breuk van een waterleiding veroorzaakt materiële schade en kan tot een elektrische schok leiden)
- Zorg ervoor, dat de draairichting keuzeschakelaar B 2 in de midden-(blokkeer-)positie staat, vóórdat u het gereedschap instelt of accessoires verwisselt, en ook wanneer u het gereedschap draagt of opbergt.
- Houd rekening met de krachten die optreden bij blokkeren (vooral bij het boren in metaal); **gebruik altijd extra handgreep J** en zorg ervoor dat u stevig staat

#### ACCESSOIRES

- SKIL kan alleen een correcte werking van het gereedschap garanderen, indien originele accessoires worden gebruikt
- Gebruik alleen accessoires met een toegestaan toerental, dat minstens even hoog is als het hoogste onbelaste toerental van het gereedschap

#### NA GEBRUIK

- Als u de machine wegzet moet de motor uitgeschakeld zijn en de bewegende delen tot stilstand zijn gekomen

#### BATTERIJEN

- **De meegeleverde accu is deels opgeladen** (om een volledige capaciteit van de accu te garanderen, moet u de accu volledig opladen in de oplader voordat u uw elektrische gereedschap voor de eerste keer gebruikt).
- **Gebruik uitsluitend de volgende batterijen en opladers voor deze machine**

- SKIL-batterij: BR1\*31\*\*\*\*
- SKIL-oplader: CR1\*31\*\*\*\*\*

- Gebruik de accu niet, wanneer deze beschadigd is; vervang deze onmiddellijk
- Haal de batterij niet uit elkaar
- Stel machine/batterij niet bloot aan regen
- Toegestane omgevingstemperatuur (machine/oplader/batterij):
  - bij het laden 4...40°C
  - bij het gebruik -20...+50°C
  - bij opslag -20...+50°C

#### UITLEG VAN SYMBOLEN OP GEREEDSCHAP/BATTERIJ

- ③ Lees de gebruiksaanwijzing vóór gebruik
- ④ Accu's exploderen als zij in vuur worden gegooid, dus verbrand de accu in geen geval
- ⑤ Bewaar het gereedschap/oplader/batterij op een plaats, waar de temperatuur niet hoger dan 50°C kan worden
- ⑥ Geef elektrisch gereedschap en batterijen niet met het huisvuil mee

#### GEBRUIK

- Opladen batterij
  - ! lees de veiligheids waarschuwingen en -voorschriften die bij de oplader worden geleverd
- Verwijderen/installeren van de batterij ②
- Batterijniveau-indicator ⑦
  - Druk op de accu niveau-indicator G om het huidige accuniveau weer te geven ⑦a
  - ! Als de laagste accu niveau-indicator begint te knippen na het drukken van knop G ⑦b, is de accu leeg
  - ! Als 2 niveaus van de accu-indicator beginnen te knippen na het drukken van knop G ⑦c, bevindt de batterij zich niet binnen het toegestane temperatuurbereik voor gebruik
- Accubescherming
  - De machine wordt plotseling uitgeschakeld of kan niet meer worden ingeschakeld, wanneer
    - de belasting te hoog is --> verwijder de belasting en start opnieuw
    - de temperatuur van de accu niet binnen het toegestane bedrijfstemperatuurbereik van -20 tot +50°C ligt --> 2 niveaus van de accu niveau-indicator beginnen te knippen als er op knop G ⑦c wordt gedrukt; wacht tot de accu weer binnen het toegestane bedrijfstemperatuurbereik zit
    - de accu bijna leeg is (ter bescherming tegen diepe ontlading) --> er wordt een laag accuniveau of knipperend accuniveau ⑦b aangegeven door de accu niveau-indicator als er op knop G wordt gedrukt; accu opladen
    - ! blijf niet op de aan/uit-schakelaar drukken nadat het gereedschap automatisch is uitgeschakeld; de batterij kan beschadigd worden
- De draairichting veranderen ⑧
  - als hij niet juist op links/rechts staat, kan schakelaar B ② niet ingedrukt worden
  - ! schakel de draairichting alleen om als de machine volledig stilstaat
- Installeren en verwijderen van bits ⑨a & ⑨b
  - ! het SDS+ accessoire voor het inzetten reinigen en licht invetten
  - plaats accessoire draaiend en drukkend in SDS+

boorkop tot deze vastklikt; het accessoire vergrendelt automatisch

- controleer vergrendeling door aan accessoire te trekken
- verwijder accessoire door vergrendelingshuls D naar achteren te trekken

**! het SDS+ accessoire dient beweeglijk geplaatst te worden, waardoor tijdens het onbelast draaien een excentrische onnauwkeurigheid ontstaat; het accessoire centreert zich tijdens het boren echter geheel vanzelf zonder de boorprecisie te beïnvloeden**

**! gebruik geen bits met een beschadigde schacht**

- Gecombineerde schakelaar voor aan/uit ⑩ en toerentalregeling ⑪
  - regel het toerental traploos van nul tot maximum door meer of minder druk uit te oefenen op schakelaar B
- Bedrijfsstand kiezen ⑫
  - draai schakelaar C naar de gewenste bedrijfsmodus totdat deze vastklikt

1 = normaal boren/schroeven

2 = klopboeren

3 = beitelen met roterende beitel

4 = beitelen met vaste beitel

**! Kies de bedrijfsmodus alleen als het gereedschap is uitgeschakeld en de batterij is verwijderd**

- het hamerslagmechanisme treedt in werking als u tijdens het boren een lichte druk op uw machine uitoefent
- het duurt even voordat het hamerslagmechanisme het volle vermogen bereikt
- de beste hamerboor-resultaten in beton worden verkregen door een lichte druk op uw machine uit te oefenen; de boorprestatie zal niet groter worden door harder op uw machine te drukken
- Beitelen met vaste beitel ⑬

**! schakel het gereedschap uit en verwijder de batterij**

- kies de functie "roterende" beitel
- plaats de beitel in de gewenste stand
- kies de functie "vaste" beitel
- Led-lampje ⑭
  - Led-lampje E brandt automatisch bij activeren van schakelaar B
- ! als het led-lampje gaat knipperen is de accubeschermering geactiveerd (zie boven)**
- Vasthouden en leiden van het gereedschap ⑮
  - ! houd het gereedschap tijdens het werk altijd vast bij het (de) grijs gekleurde greepvlak(ken)**
  - gebruik altijd extra handgreep J (regelbaar zoals afgebeeld) ⑯
  - houd ventilatie-openingen F ② vrij
  - oefen niet te veel druk uit; laat het gereedschap het werk voor u doen
- Instellen van de boordiepte ⑰

## TOEPASSINGSADVIES

- Gebruik de juiste bits ⑱
- ! gebruik uitsluitend scherpe bits**
- Gebruik, voor het boren met niet-SDS boorbits in hout, metaal en kunststof een adapter (niet standaard inbegrepen) ⑲
- ! het SDS+ accessoire voor het inzetten reinigen en**

## licht invetten

- trek vergrendelingshuls D naar achteren en plaats adapter draaiend en drukkend in SDS+ boorkop tot deze vastklikt; de adapter vergrendelt automatisch
- controleer vergrendeling door aan adapter te trekken
- zet schakelaar C op normaal boren (alleen als het gereedschap uitgeschakeld is en de schakelaar vergrendeld is)
- Bij het boren in ijzerhoudende metalen
  - een kleiner gat voorboren, wanneer een groot gat nodig is
  - vet de boorpunt af en toe met olie in
- Altijd een gat voorboren bij het schroeven in/vlakbij de kopse- of zijkant van hout
- Splintervrij boren in hout ⑳
- Stofvrij boren in muren ㉑
- Stofvrij boren in plafonds ㉒
- Boren in tegels zonder wegglijden ㉓
- Voor meer informatie zie [www.skil.com](http://www.skil.com)

## ONDERHOUD/SERVICE

- Dit gereedschap is niet bedoeld voor professioneel gebruik
- Houd het gereedschap altijd schoon (met name de ventilatiesleuven F ②)
- ! verwijder voor het reinigen de batterij uit het gereedschap**
- Mocht het elektrische gereedschap ondanks zorgvuldige fabricage- en testmethoden toch defect raken, dient de reparatie te worden uitgevoerd door een erkende klantenservice voor SKIL elektrische gereedschappen
  - stuur het gereedschap niet gedemonteerd, samen met het aankoopbewijs, naar het verkooppadres of het dichtstbijzijnde SKIL service-station (de adressen evenals de onderdeeltekening van het gereedschap vindt u op [www.skil.com](http://www.skil.com))
- Denk erom, dat beschadigingen als gevolg van overbelasting of onjuist gebruik van het gereedschap niet onder de garantie vallen (voor de garantievoorwaarden van SKIL zie [www.skil.com](http://www.skil.com) of raadpleeg uw dealer)

## MILIEU

- **Geef elektrisch gereedschap, batterijen, accessoires en verpakkingen niet met het huisvuil mee** (alleen voor EU-landen)
  - volgens de Europese richtlijn 2012/19/EG inzake oude elektrische en elektronische apparaten en de toepassing daarvan binnen de nationale wetgeving, dient afgedankt elektrisch gereedschap gescheiden te worden ingezameld en te worden afgevoerd naar een recycle-bedrijf, dat voldoet aan de geldende milieu-eisen
  - symbool ⑥ zal u eraan herinneren als u het gereedschap moet afdanken
- ! bescherm de batterij-contacten met stevig plakband voordat ze afgedankt worden, om kortsluiting te voorkomen**

## GELUID / VIBRATIE

- Gemeten in navolging van EN62841 is het geluidsdruk-niveau van dit gereedschap 93.4 dB (A) en het geluidsvermogensniveau 104.4 dB (A) (onzekerheid

K = 3 dB), en de trilling\* (triax vector som; onzekerheid K = 1.5 m/s<sup>2</sup>)

\* bij het hamerboren in beton 16.2 m/s<sup>2</sup>

\* bij beitelen 12.8 m/s<sup>2</sup>

- Het trillingsemisniveaui is gemeten in overeenstemming met een gestandaardiseerde test volgens EN 62841; deze mag worden gebruikt om twee gereedschappen met elkaar te vergelijken en als voorlopige beoordeling van de blootstelling aan trilling bij gebruik van het gereedschap voor de vermelde toepassingen
  - gebruik van het gereedschap voor andere toepassingen, of met andere of slecht onderhouden accessoires, kan het blootstellingsniveau **aanzienlijk** verhogen
  - wanneer het gereedschap is uitgeschakeld of wanneer het is ingeschakeld maar geen werk verricht, kan dit het blootstellingsniveau aanzienlijk reduceren
- ! bescherm uzelf tegen de gevolgen van trilling door het gereedschap en de accessoires te onderhouden, uw handen warm te houden en uw werkwijze te organiseren**

S

## Borstl6s, sladdl6s borrhammare

3851

### INTRODUKTION

- Maskinen 6r avsedd f6r slagborring i betong, tegel och sten samt f6r borring i tr6, metall, keramik och plast; maskiner med elektronisk varvtalsreglering och h6ger-/v6nsterg6ng 6r 6ven l6mpliga f6r skruvdragning och g6ngsk6rning
- Hammarborsystemet i denna maskin konkurrerar ut varje traditionell slagborrmaskin, n6r du skall borra i betong
- Denna maskin 6r konstruerad f6r anv6ndning i kombination med alla standard SDS+ tillbeh6r
- Det h6r verktyget 6r inte avsedd f6r yrkesm6ssig anv6ndning
- Om delar saknas eller 6r skadade kontaktar du 6terf6rs6ljaren
- L6s dessa instruktioner noggrant f6r anv6ndning och spara dem f6r framtida referens ③
- Uppm6rksamma s6rskilt s6kerhetsinstruktionerna och varningarna, om dessa inte f6ljs kan det resultera i allvarliga personskador

### TEKNISKA DATA ①

### VERKTYGSELEMENT ②

- A Rotationsriktningsv6ljare (fram6t/mittl6s/bak6t)
- B Str6mbrytare f6r till/fr6n och varvtalsreglering
- C Omkopplare f6r utv6ljande av driftsl6ge
- D L6shysla
- E Lysdiodlampa
- F Ventilations6ppning
- G Knapp batteriniv6indikator
- H Djupm6tt
- J Extra handtag

## S6KERHET

### ALLM6NNA S6KERHETSVARNINGAR F6R ELVERKTYG

**! VARNING L6s igenom alla s6kerhetsvarningar, instruktioner, illustrationer och specifikationer som medf6ljer detta elverktyg.** Underl6ttenhet att f6lja alla instruktioner som listas nedan kan resultera i elektriska st6tar, brand och/eller allvarliga personskador.

### Spara alla varningar och instruktioner f6r framtida referens

Termen "elverktyg" i varningarna syftar p6 ditt starkstr6msdrivna (sladdanslutna) elverktyg eller batteridrivna (sladdl6sa) elverktyg.

#### 1) ARBETSPLATSS6KERHET

- H6ll arbetsomr6det rent och ordentligt upplyst.** Belamrade eller m6rka omr6den inbjuder till olyckor.
- Anv6nd inte elverktyg i explosiva milj6er som t.ex. i n6rvaron av brandfarliga v6tskor, gaser eller damm.** Elverktyg skapar gnistor vilka kan ant6nda dammet eller 6ngorna.
- H6ll barn och 6sk6dare borta medan elverktyget arbetar.** St6rmingarna kan g6ra att du tappar kontrollen.

#### 2) ELEKTRISK S6KERHET

- Elverktygets kontakter m6ste matcha uttaget. Modifiera aldrig kontakten p6 n6got s6tt. Anv6nd inte n6gon adapterkontakt med motordrivna verktyg som 6r jordade.** St6ckkontakter som inte modifierats och passar i eluttaget minskar risken f6r elektriska st6tar.
- Undvik kroppskontakt med jordanslutna eller jordade ytor s6som r6r, v6rmeelement, spisar och kylsk6p.** Det finns en 6kad risk f6r elektrisk st6t om din kropp 6r jordanslutna eller jordad.
- Uts6tt inte elverktyg f6r regn eller v6ta f6rh6llanden.** Vatten som kommer in i ett elektriskt verktyg 6kar risken f6r elektriska st6tar.
- Vanv6rda inte sladden. Anv6nd aldrig kabeln f6r att b6ra, sl6pa eller dra ut kontakten f6r elverktyget. H6ll kabeln borta fr6n v6rme, olja, skarpa kanter och r6rliga delar.** Skadade eller tilltrasslade sladdar 6kar risken f6r elektrisk st6t.
- Vid anv6ndning av motordrivna verktyg utomhus, anv6nd en f6rl6ngningskabel som 6r avsedd f6r utomhusbruk.** Anv6ndning av en sladd som passar f6r utomhusanv6ndning minskar risken f6r elektrisk st6t.
- Om du m6ste anv6nda ett motordrivet verktyg i en fuktig milj6, anv6nd en jordfelsbrytare.** En jordfelsbrytare minskar risken f6r elektriska st6tar.

#### 3) PERSONLIG S6KERHET

- Var uppm6rksam och observant samt anv6nd sunt f6rnuft n6r du anv6nder ett elverktyg. Anv6nd inte ett motordrivet verktyg om du 6r tr6tt eller under p6verkan av droger, alkohol eller medicin.** Ett 6gonblick av uppm6rksamhet under arbete med elverktyg kan resultera i allvarliga personskador.
- Anv6nd personlig skyddsutrustning. Anv6nd alltid skyddsglas6gon.** Skyddsutrustning s6som andningsmask, h6lks6kra s6kerhetsskor, skyddshj6lm eller h6rselskydd som anv6nds f6r l6mpliga f6rh6llanden minskar personskador.

- c) **Förebygg oavsiktlig start. Se till att strömbrytaren är i frånläge innan du ansluter till strömkällan och/ eller batteripaketet, plockar upp eller bär verktyget.** Att bära elverktyget med fingret på strömbrytaren eller verktyg som är påslagna inbjuder till olyckor.
- d) **Ta bort inställningsnycklar eller skiftnycklar innan elverktyget slås på.** En skiftnyckel eller en nyckel som sitter kvar på en roterande del av elverktyget kan resultera i personskada.
- e) **Sträck dig inte för långt. Ha ordentligt fotfäste och balans hela tiden.** Detta möjliggör bättre kontroll av elverktyget i oväntade situationer.
- f) **Klä dig på lämpligt sätt. Bär inte löst sittande kläder eller smycken. Håll hår och klädsel på avstånd från de rörliga delarna.** Löst sittande kläder, smycken och långt hår kan fastna i rörliga delar.
- g) **Om enheter har anslutning för dammsugare och anslutningsmöjligheter, se till att de är anslutna och används på korrekt sätt.** Användning av dammsugare kan minska dammrelaterade faror.
- h) **Var alltid uppmärksam vid användning av verktyget, även efter många användningstillfällen, och ignorera inte verktygets säkerhetsprinciper.** En vårdslös handling kan orsaka allvarliga personskador inom bräddelen av en sekund.
- 4) ANVÄNDNING OCH SKÖTSEL AV ELVERKTYG**
- a) **Tvinga in elverktyget. Använd ett korrekt elverktyg för ditt arbete.** Ett korrekt elverktyg utför jobbet bättre och säkrare om det används för rätt arbete.
- b) **Använd inte elverktyget om strömbrytaren inte kan slås på eller stängas av.** Ett elverktyg som inte kan kontrolleras med strömbrytaren är farligt och måste repareras.
- c) **Koppla ur stickkontakten från strömkällan och/eller ta bort batteripaketet, om det är löstagbart, från elverktyget innan du utför justeringar, byter tillbehör eller förvarar elverktyget.** Dessa förebyggande säkerhetsåtgärder minskar risken för att elverktyget startas oavsiktligt.
- d) **Förvara elverktyg som går på tomgång utom räckhåll för barn och låt inte personer som är ovana med elverktyget eller dessa instruktioner använda elverktyget.** Elverktyg är farliga i händerna på utbildade användare.
- e) **Underhåll av elverktyg och tillbehör. Kontrollera felinställningar eller om rörliga delar har fastnat, bristning hos delar och andra eventuella förhållanden som kan komma att påverka elverktygets funktion. Om skadad, lämna in elverktyget för reparation innan det används.** Många olyckor beror på dåligt underhållna elverktyg.
- f) **Håll kapverktyg vassa och rena.** Ordentligt underhållna kapverktyg med vassa sågkanter är mindre sannolika att fastna och är lättare att kontrollera.
- g) **Använd elverktyget, tillbehör, verktygsbits osv. i enlighet med dessa instruktioner och ta hänsyn till arbetsförhållanden och det arbete som ska utföras.** Om elverktyget används för andra tillämpningar än det är avsett för kan det resultera i farliga situationer.
- h) **Håll handtagen och greppytorna torra, rena och fria från olja och fett.** Hala handtag och greppytorna förhindrar säker hantering och kontroll av verktyget vid oväntade situationer.

- 5) ANVÄNDNING OCH SKÖTSEL AV BATTERIDRIVET VERKTYG**
- a) **Ladda endast med den laddare som rekommenderas av tillverkaren.** En laddare som är lämplig för en typ av batteripaket kan skapa en risk för brand när den används med ett annat batteripaket.
- b) **Använd endast elverktyg med deras särskilt avsedda batteripaket.** Användning av andra batteripaket kan medföra risk för personskador och eld.
- c) **När batteripaketet inte används, håll det borta från metallobjekt som t.ex. pappersgem, mynt, nycklar, spikar, skruvar och andra små metallobjekt som kan bilda en anslutning från en batterikontakt till den andra.** Kortslutning av batteriets terminaler kan orsaka brännskador eller en brand.
- d) **Under olämpliga förhållanden kan vätska spruta ut från batteriet. Undvik kontakt. Vid oavsiktlig kontakt, spola med vatten. Om vätskan kommer i kontakt med ögonen, sök också läkarhjälp.** Vätska som sprutar ur batteriet kan orsaka sveda och brännskador.
- e) **Använd inte ett batteripaket eller verktyg som skadats eller modifierats.** Skadade eller modifierade batterier kan leda till oförutsägbart uppträdande som leder till brand, explosion eller risk för personskador.
- f) **Utsätt inte batteripaketet eller verktyget för eld eller extrema temperaturer.** Exponering av eld eller temperaturer över 130 °C kan orsaka explosion.
- g) **Följ alla laddningsinstruktioner och ladda inte batteripaketet eller verktyget utanför det temperaturområde som anges i instruktionerna.** Felaktig laddning eller vid temperaturer utanför angivet temperaturområde kan skada batteriet och ökar risken för brand.
- 6) SERVICE**
- a) **Lämna ditt elverktyg för service hos en kvalificerad servicetekniker som endast använder identiska utbytesdelar.** Det garanterar att säkerheten hos elverktygets bibehålls.
- b) **Utför aldrig service på skadade batteripaket.** Service av batteripaket bör endast utföras av tillverkaren eller auktoriserade serviceverkstäder.

#### SÄKERHETSANVISNINGAR FÖR SLADDLÖS BORRHAMMARE

- **Använd hörselskydd.** Exponering för buller kan orsaka hörselnedsättning.
- **Använd hjälphantaget om det medföljer elverktyget.** Förordad kontroll kan leda till personskador.
- **Håll verktyget i de isolerade greppytorna när ett arbete utförs där sågtillbehöret kan komma i kontakt med dolt kablage** (sågtillbehör som kommer i kontakt med en strömförande ledning kan orsaka att även verktygets exponerade metalldelar blir strömförande, vilket utgör risk för att användaren utsätts för elektriska stötar)

#### SÄKERHETSINSTRUKTIONER NÄR LÅNGA BORRBITAR ANVÄNDS MED BORRHAMMARE

- **Börja alltid borra med låg hastighet och låt kronans spets vara i kontakt med arbetsstycket.** Vid högre hastigheter kommer kronan sannolikt att böjas om den

får rotera fritt utan att komma i kontakt med arbetsstycket, vilket leder till personskada.

- **Tillför endas tryck i direkt linje med kronan och använd inte ett alltför stort tryck.** Bits kan böjas och orsaka brott eller förlust av kontroll, vilket kan resultera i personskada.

#### ALLMÄNT

- **Asbesthaltigt material får inte bearbetas** (asbest anses vara cancerframkallande)
- Den här maskinen ska inte användas av personer under 16 år
- Viss typ av damm, exempelvis färg som innehåller bly, vissa träsorter, mineraler och metaller kan vara hälsovådliga om de inhaleras (hudkontakt eller inandning kan ge allergisk reaktion och/eller luftvägsproblem/sjukdom hos personer i närheten); **använd andningsskydd och arbeta med en dammuppsamlare om sådan anslutning finns**
- Vissa typer av damm är klassificerade så som cancerframkallande (t.ex. ek- och björkdamm) särskilt i kombination med tillsatser för träbehandling; **använd andningsskydd och arbeta med en dammuppsamlare om sådan anslutning finns**
- Följ de nationella krav, som finns angående damm, för de material du skall arbeta med

#### FÖRE ANVÄNDNINGEN

- Undvik skador genom att ta bort skruvar, spikar eller andra föremål ur arbetsstycket; ta dem bort innan du startar ett arbete
- **Sätt fast arbetsstycket** (ett arbetsstycke fastsatt med skruvvingar eller i ett skruvstöd är mera stabilt än om det hålls fast för hand)
- **Använd lämpliga detektorer för lokalisering av dolda försörjningsledningar eller konsultera lokalt distributionsföretag** (kontakt med elledningar kan försäkra brand och elstöt; en skadad gasledning kan leda till explosion; borring i vattenledning kan försäkra egendomsskador eller elstöt)
- Kontrollera att riktningssomkopplaren för rotationen B2 är i mittenpositionen (låst läge) innan inställningar utförs eller tillbehör delar byts eller maskinen transporteras eller förvaras
- Var medveten om den kraft som uppstår i händelse av blockering (speciellt när du borrar i metaller); **använd alltid extrahandtaget** och se till att du står stadigt

#### TILLBEHÖR

- SKIL kan endast garantera att maskinen fungerar felfritt om originaltillbehör används
- Använd endast tillbehör vilkas tillåtna varvtal åtminstone motsvarar maskinens högsta tomgångsvarvtal

#### EFTER ANVÄNDNINGEN

- När du ställer ifrån dig maskinen måste motorn vara fränslagen och de rörliga delarna ska ha stannat fullständigt

#### BATTERIER

- **Det medföljande batteriet är delvis laddat** (i syfte att garantera batteriets fulla kapacitet ska det laddas fullt i batteriladdaren innan verktyget används för första gången)
- **Använd endast följande batterier och laddare med det här verktyget**
  - SKIL-batteri: BR1\*31\*\*\*\*
  - SKIL-laddare: CR1\*31\*\*\*\*
- Använd aldrig batteriet när det är skadat; det skall omedelbart bytas ut

- Demontera inte batteriet
- Utsätt inte verktyget/batteriet för regn
- Tillåten omgivningstemperatur (verktyg/laddare/batteri):
  - vid laddning 4...40 °C
  - vid drift -20...+50 °C
  - vid förvaring -20...+50 °C

#### FÖRKLARING AV SYMBOLER PÅ VERKTYGET/

##### BATTERIET

- ③ Läs bruksanvisningen före användning
- ④ Batterierna kan explodera om de utsätts för eld så bränn inte batteriet av något skäl
- ⑤ Förvara verktyget/laddaren/batteriet i lokaler, där temperaturen inte överstiger 50 °C
- ⑥ Kasta inte elektriska verktyg och batterier i hushållssoporna

#### ANVÄNDNING

- Laddning av batteri
  - ! **läs säkerhetsvarningarna och anvisningarna som medföljde laddaren**
- Borttagning/installation av batteriet ②
- Batterinivåindikator ⑦
  - tryck på indikatorknappen för batterinivå G för att visa nuvarande batterinivå ⑦a
  - ! **när den lägsta nivån hos batteriindikatorn börjar blinka efter att knappen G ⑦b tryckts in är batteriet tomt**
  - ! **när två nivåer av batteriindikatorn börjar blinka efter att knappen G ⑦c tryckts in är inte batteriet inom tillåtet drifttemperaturområde**
- Batteriskydd
  - Verktyget stängs plötsligt av eller förhindras att startas när
    - **belastningen är alltför hög** --> ta bort belastning och starta om
    - **batteriets temperatur är inte inom tillåtet drifttemperaturområde på -20 till +50 °C** --> två nivåer på batteriindikatorns nivåindikator börjar blinka när knappen G 7c trycks in; vänta tills batteriet har återgått till tillåtet drifttemperaturområde
    - **batteriet är nästan tomt (för att skydda mot djup urladdning)** --> en låg batterinivå eller blinkande låg batterinivå ⑦b visas av batterinivåindikatorn när knappen G trycks in; ladda batteriet
  - ! **fortsätt inte trycka på strömbrytaren efter att verktyget stängts av automatiskt; batteriet kan skadas**
- Ändra rotationsriktningen ⑦
  - om inte vänster/höger är inställt i rätt läge, kan inte strömbrytaren B ② aktiveras
  - ! **ändra rotationsriktningen när maskinen är helt stilla**
- Installera och ta bort bits ⑨a och ⑨b
- rengör och fetta in SDS+ tillbehöret lätt innan det sätts i
  - för in tillbehöret i SDS+ chuck samtidigt som du vrider och trycker tills den sitter fast; tillbehöret låser sig automatiskt
  - kontrollera låsningen genom att dra i tillbehöret
  - ta bort tillbehöret genom att dra tillbaka låshylsan D
  - ! **SDS+ tillbehöret måste vara fritt rörligt; genom detta uppstår under tomgång en ocentrerad rörelse vilken upphör vid borring; detta påverkar ej borrets precision**

- ! använd aldrig bits med trasigt skaft
- Kombinerad strömbrytare ⑩ och hastighetskontroll ⑪
  - variera hastigheten steglöst från noll till maximum genom att trycka mer eller mindre på B
- Val av driftsläge ⑫
  - vrid omkopplaren C till önskat driftsläge tills den spärras i läge
    - 1 = normal borring/skruvdragning
    - 2 = slagborring
    - 3 = mejsling med roterande mejsel
    - 4 = mejsling med fast mejsel
- ! välj endast driftläge när verktyget är avstängt och batteriet är borttaget
  - hammarbormekanismen aktiveras genom ett lätt tryck på maskinen, när borren är i kontakt med arbetsmaterialet
  - det tar lite tid innan hammarbormekanismen har full slagkraft
  - det bästa hammarborresultatet uppnås genom endast ett lätt tryck på maskinen; borresultatet blir inte bättre genom att trycka hårdare på maskinen
- Mejsling med fast mejsel ⑬
  - ! stäng av verktyget och ta ut batteriet
    - välj roterande mejslingsläge
    - placera mejseln i önskat läge
    - välj fast mejslingsläge
- LED-lampa ⑭
  - Lysdiodlampan E tänds automatiskt när omkopplare B aktiveras
  - ! när LED-arbetslampan börjar att blinka, är batteriskyddet aktiverat (se ovan)
- Fasthållning och styrning av verktyget ⑮
  - ! under arbetet, håll alltid verktyget i det gråfärgade greppområdet
    - använd alltid extrahandtaget J (kan justeras enligt bilden) ⑯
    - håll ventilationsöppningarna F ② fria
    - lägg inte för mycket tryck på verktyget; låt verktyget göra arbetet åt dig
- Justering av bordrdjupet ⑰

## ANVÄNDNINGSTIPS

- Använd lämpliga bits ⑱
  - ! använd endast vassa bits
- För borring med borr som inte är SDS i trä, metall och plast, använd en adapter (ingår ej som standard) ⑲
  - ! rengör och fetta in SDS+ tillbehöret lätt innan det sätts i
    - dra tillbaka låshylsan D och för in adaptern i SDS+ chuck samtidigt som du vrider och trycker tills den sitter fast; adaptern låser sig automatiskt
    - kontrollera låsningen genom att dra i adaptern
    - ställ in omkopplaren C till normal borring (används endast då maskinen är avstängd och omkopplaren är låst)
- När du borrar i järnmetaller
  - förborra ett mindre hål då ett större behövs
  - olja in borren emellanåt
- Vid idragning av en skruv nära kortänden eller på sidan av trä materialet skall förborring ske för att undvika sprickbildning
- Splinterfri borring i trä ⑳
- Dammfri borring i väggar ㉑

- Dammfri borring i tak ㉒
- Borring i kakel utan att slinta ㉓
- Besök [www.skil.com](http://www.skil.com) för mer information

## UNDERHÅLL/SERVICE

- Det här verktyget är inte avsedd för yrkesmässig användning
- Håll alltid verktyget rent (i synnerhet ventilationsöppningarna F ②)
  - ! ta bort batteriet från verktyget före rengöring
- Om i elverktyget trots exakt tillverkning och sträng kontroll störning skulle uppstå, bör reparation utföras av auktoriserad serviceverkstad för SKIL elverktyg
  - skicka verktyget odemonterat tillsammans med inköpsbevis till försäljaren eller till närmaste SKIL serviceverkstad (adresser samt sprängskisser av verktyget finns på [www.skil.com](http://www.skil.com))
- Var medveten om att skada till följd av överbelastning eller felaktig hantering inte täcks av garantin (för SKIL garantivillkor gå till [www.skil.com](http://www.skil.com) eller fråga återförsäljaren)

## MILJÖ

- Elektriska verktyg, batterier, tillbehör och förpackning får inte kastas i hushållssoporna (gäller endast EU-länder)
  - enligt europeiska direktivet 2012/19/EG avseende avfall från elektriska och elektronisk utrustning och dess tillämpning enligt nationell lagstiftning ska uttjänta elektriska verktyg sorteras separat och lämnas till miljövänlig återvinning
  - symbolen 6 kommer att påminna om detta när det är dags för avyttring
  - ! före avyttring av batterierna, tejpa kontaktytorna med kraftig tejp för att undvika kortslutning

## LJUD / VIBRATION

- Det här verktygets ljudtrycksnivå som uppmätts i enlighet med EN62841 och ljudtrycksnivån för detta verktyg är 104.4 dB(A) och ljudeffektnivån 93.4 dB(A) (osäkerhet K = 3 dB) och vibrationen (triaxvektorsumma; osäkerhet K = 1.5 m/s<sup>2</sup>)
  - \* vid hammarborring i betong 16.2 m/s<sup>2</sup>
  - \* vid mejsel 12.8 m/s<sup>2</sup>
- Vibrationsemissionsvärdet har uppmätts i enlighet med ett standardiserat test angivet i EN62841; detta värde kan användas för att jämföra ett verktyg med ett annat och som en ungefärlig uppskattning av hur stor vibration användaren utsätts för när verktyget används enligt det avsedda syftet
  - om verktyget används på ett annat än det avsedda syftet eller med fel eller dåligt underhållna tillbehör kan detta drastiskt öka exponeringsnivån
  - när verktyget stängts av eller är på men inte används, kan detta avsevärt minska exponeringsnivån
  - ! skydda dig mot effekterna av vibrationer genom att underhålla verktyget och dess tillbehör, hålla händerna varma och organisera ditt arbetsmönster

## Batteridrevet borehammer uden borster

3851

### INTRODUKTION

- Værktøjet er beregnet til hammerboring i beton, tegl og sten samt til boring i træ, metal, keramik og kunststof; værktøj med elektronisk regulering af omdrejningstal og højre-/venstrelob er også egnet til skruearbejde og gevindskæring
- Hammersystemet i denne værktøj udkonkurrerer alle traditionelle slagboremaskiner ved boring i beton
- Dette værktøj er konstrueret til brug med alt standard SDS+ tilbehør
- Dette værktøj er ikke beregnet til professionelt brug
- Kontakt venligst din forhandler, hvis dele mangler eller er beskadiget
- Læs denne brugsanvisning omhyggeligt igennem, inden støvsugeren bruges, og gem brugsanvisningen til senere brug ③
- Vær særlig opmærksom på sikkerhedsinstruktionerne og advarslerne; gøres dette ikke, kan det medføre alvorlige skader

### TEKNISKE DATA ①

#### VÆRKTØJETS DELE ②

- A Retningsknap (frem/midt-lås/tilbage)
- B Afbryder til tænd/sluk og regulering af omdrejningstal
- C Knap til valg af driftsfunktion
- D Låsemuffe
- E LED-lys
- F Ventilationshuller
- G Knap til batteriniveau-indikator
- H Dybdestop
- J Støttegreb

### SIKKERHED

#### GENERALLE SIKKERHEDSADVARSLER OM ELEKTRISKE APPARATER

**⚠ ADVARSEL** Læs alle sikkerhedsadvarsler, anvisninger, billeder og specifikationer, der følger med dette elværktøj. Hvis anvisningerne nedenfor ikke følges, kan det føre til elektrisk stød, brand og/eller alvorlig personskade.

Gem alle advarsler og instruktioner til fremtidig reference.

Udtrykket "elværktøj" i advarslerne henviser til eldrevet (ledningforbundet) og batteridrevet (ledningfrit) elværktøj.

#### 1) SIKKERHED PÅ ARBEJDSPLADSEN

- a) Sørg for, at arbejdsområdet er rent og godt belyst. Et rodet eller mørkt område kan føre til ulykker.
- b) Brug ikke elværktøj i eksplosive atmosfærer, såsom ved tilstedeværelse af brændbare væsker, gasser

eller støv. Elværktøj kan slå gnister og antænde støv og dampe.

- c) Hold børn og tilskuere på afstand, når et elværktøj er i brug. Distractioner kan medføre, at du mister kontrollen.
- 2) SIKKERHED OMKRING ELEKTRICITET
- a) Stikket på elværktøjet skal passe i stikkontakten. Stikket må på ingen måde ændres. Brug ikke adapterstik sammen med jordede (jordforbundne) elværktøj. Uændrede stik, der passer til stikkontakterne, nedsætter risikoen for elektrisk stød.
  - b) Undgå kropskontakt med jordforbundne overflader, såsom rør, radiatorer, komfurer og køleskabe. Der er øget risiko for elektrisk stød, hvis din krop er jordforbundet.
  - c) Elværktøj må ikke udsættes for regn eller våde forhold. Vand kommer ind et elværktøj øger risikoen for elektrisk stød.
  - d) Ledningen må ikke mishandles. Brug aldrig ledningen til at bære eller trække elværktøjet eller til at trække stikket ud af stikkontakten. Hold ledningen væk fra varme, olie, skarpe kanter og bevægelige dele. Beskadigede eller sammenfiltrede ledninger, øger risikoen for elektrisk stød.
  - e) Når et elværktøj bruges udendørs, skal der bruges en forlængerledning, der er egnet til udendørs brug. Brug af en egnet ledning til udendørs brug, reducerer risikoen for elektrisk stød.
  - f) Hvis det ikke kan undgås at benytte apparatet i fugtige omgivelser, så brug et stik med fejlstrømsrelæ. Anvendelse af et fejlstrømsrelæ mindsker risikoen for elektrisk stød.
- 3) PERSONLIG SIKKERHED
- a) Vær forsigtig, hold øje med hvad du laver, og brug din sunde fornuft, når du bruger et elværktøj. Brug ikke apparatet, hvis du er træt eller er påvirket af narkotika, alkohol eller medicin. Et øjeblik uopmærksomhed, kan føre til alvorlige personskader.
  - b) Brug personligt beskyttelsesudstyr. Brug altid beskyttelsesbriller. Værnemidler såsom støvmaske, skridsikre sikkerhedssko, hjelm eller høreværn, der anvendes til passende betingelser nedsætter risikoen for personskader.
  - c) Forhindre utilsigtet start. Sørg for, at tænd/sluk-knappen er slukket, inden apparatet sluttes til strømkilden eller batteripakken, samt inden det løftes op eller bæres rundt. Hvis elværktøjet bæres med fingern på kontakten, eller oplades med tænd/sluk-knappen tændt, øger det risikoen for ulykker.
  - d) Fjern indstillingssværktøj eller skruenøgler, før elværktøjet startes. En skruenøgle eller en nøgle sidder i en roterende del af elektrisk værktøj, kan resultere i personskade.
  - e) Undgå at række for langt frem. Sørg altid for at stå ordentligt fast og i god balance. Dette giver bedre kontrol af det elektriske værktøj når uventede situationer.
  - f) Brug passende tøj. Undgå, at bære løstsiddende tøj eller smykker. Hold hår og tøj fra bevægelige dele. Løse tøj, smykker eller langt hår kan blive fanget i bevægelige dele.
  - g) Hvis der monteres tilbehør til opsamling af støv eller andet, skal det sikres, at disse monteres og bruges korrekt. Brug af støvindsamlingsenheder, kan reducere

støv-relaterede risici.

- h) **Selvom du ofte bruger og har et godt kendskab til værktøjet, må du ikke være overmodig eller glemme sikkerhedsprincipperne.** En uagtsom handling kan forårsage alvorlig skade i en brøkdal af et sekund.
- 4) **BRUG OG PLEJE AF ELVÆRKTØJET**
- a) **Elværktøjet må ikke tvinges under brug. Brug det korrekte elværktøj til formålet.** Det rigtige elværktøj gør arbejdet bedre og mere sikkert, da det er beregnet til formålet.
- b) **Brug ikke elværktøjet, hvis kontakten ikke kan tænde og slukke.** Alt elværktøj, hvor kontakterne ikke dur, er farligt og skal repareres.
- c) **Træk stikket til apparatets strømforsyning ud af stikkontakten og/eller fjern batteripakken hvis dette er muligt, inden du foretager justeringer, skifter tilbehør eller lægger elværktøjet til opbevaring.** Sådanne forebyggende sikkerhedsforanstaltninger mindsker risikoen for at starte elværktøjet utilsigtet.
- d) **Opbevar elværktøj, der ikke bruges, utilgængeligt for børn, og tillad ikke personer, der ikke kender elværktøjet eller disse anvisninger, at bruge elværktøjet.** Elværktøj er farligt i hænderne på brugere, der ikke ved, hvordan det skal bruges.
- e) **Vedligehold elværktøj og tilbehør. Kontroller, at de bevægelige dele ikke er fejlfjurerede eller binder eller er i en tilstand, der kan påvirke elværktøjets drift. Få beskadigede elværktøjet repareret før brug.** Mange ulykker er forårsaget af dårligt vedligeholdt elværktøj.
- f) **Hold skæreværktøj skarpe og rene.** Skæreværktøjer med skarpe kanter, der vedligeholdes ordentligt, er mindre tilbøjelige til at binde og er lettere at styre.
- g) **Elværktøjet, tilbehør og bits osv. skal bruges i overensstemmelse med disse instruktioner, hvor arbejdsforholdene og arbejdet, der skal udføres, skal tages i betragtning.** Anvendelse af elværktøj til andre formål end dem, de er beregnet til, kan medføre en farlig situation.
- h) **Hold håndtag og gribeblader tørre, rene og fri for olie og fedt.** Glatte håndtag og glatte overflader, der holdes i, gør værktøjet farligt at bruge i uventede situationer.
- 5) **BATTERIVÆRKTØJETS BRUG OG PLEJE**
- a) **Genoplad kun med opladeren er angivet af fabrikanten.** Hvis en oplader, der er egnet til én slags batteri, bruges med en anden slags batteri, kan det føre til brand.
- b) **Anvend kun elektrisk værktøj med særligt udpegede batteripakker.** Brug af andre batterier kan skabe risiko for personskade og brand.
- c) **Når batteripakken ikke er i brug, skal den holdes væk fra andre metalgenstande som papirclips, mønter, nøgler, søm, skruer eller andre små metalgenstande, der kan skabe forbindelse fra en pol til en anden.** Shorting batteripolerne sammen kan forårsage forbrændinger eller brand.
- d) **Ved forkert anvendelse kan der slippe væske ud af batteriet: Undgå kontakt. Hvis det alligevel skulle ske, skal området skylles med vand. Hvis væsken kommer i øjnene, skal man søge læge.** Væske fra batteriet kan forårsage irritation eller forbrændinger.
- e) **Anvend ikke et batteri eller et værktøj, der er beskadiget eller modificeret.** Beskadigede eller

modificerede batterier kan opføre sig uforudsigeligt og forårsage brand, eksplosion eller risiko for personskade.

- f) **Udsæt ikke et batteri eller et værktøj for ild eller for høj temperatur.** Udsættelse for ild eller temperaturer over 130 °C kan forårsage eksplosion.
- g) **Følg alle anvisninger vedrørende opladning, og oplad ikke batteriet eller værktøjet uden for temperaturområdet, der står i anvisningerne.** Forkert opladning eller temperaturer uden for det angivne område kan beskadige batteriet og øge risikoen for brand.
- 6) **SERVICE**
- a) **Dit elværktøj skal repareres af en kvalificeret person, og der må kun bruges identiske reservedele.** På denne måde sikrer man, at elværktøjet forbliver sikkert at bruge.
- b) **Udfør aldrig selv service på beskadigede batterier.** Service på batterier må kun udføres af producenten eller godkendte servicecentre.

#### SIKKERHEDSVEJLEDNINGER TIL DENNE BATTERIDREVNE HAMMER

- **Brug høreværn.** Udsættelse for høj støj kan føre til høretab.
- **Brug støttegrebet, hvis dette følger med værktøjet.** Manglende kontrol over værktøjet kan føre til personskader.
- **Hold elværktøjet i de isolerede gribeblader, når der udføres arbejde, hvor skæreværktøjet kan ramme skjulte ledninger** (kontakt med en spændingsførende ledning sætter også elværktøjets metaldele under spænding, hvilket fører til elektrisk stød)

#### SIKKERHEDSINSTRUKTIONER VED BRUG AF LANGE BOR MED EN BOREHAMMER

- **Start altid boringen på en lav hastighed og med spidsen af boret i kontakt med emnet.** På højere hastigheder kan boret bøje, hvis det får lov til at dreje frit uden at komme i kontakt med arbejdsemnet, hvilket kan føre til personskader.
- **Påfør kun tryk i direkte linje med boret, og undgå at trykke for hårdt.** Bits kan bøje, som kan føre til beskadigelse eller tab af kontrol, hvilket kan føre til personskader.

#### GENERELT

- **Bearbejd ikke asbestholdigt materiale** (asbest er kræftfremkaldende)
- Dette værktøj må ikke bruges af personer under 16 år
- Støv fra materiale som f.eks. maling, der indeholder bly, nogle træsorter, mineraler og metal kan være skadeligt (kontakt med eller indånding af støvet kan forårsage allergiske reaktioner og/eller sygdomme i luftvejene hos den, der anvender værktøjet, eller hos omkringstående); **bær en støvmaske og arbejd med en støvsugningsanordning, hvor en sådan kan sluttes til**
- Visse slags støv er klassificeret som kræftfremkaldende (som f.eks. støv fra eg og bøg) især i forbindelse med tilsætningsstoffer til træbehandling; **bær en støvmaske og arbejd med en støvsugningsanordning, hvor en sådan kan sluttes til**
- Følg de nationale krav, hvad angår støv, for de materialer,



du ønsker at arbejde med

## INDEN BRUG

- Undgå skader forårsaget af skruer, søm eller andre materialer i arbejdsstykket; fjern disse før De begynder at arbejde
- **Fastgør emnet** (det er sikrere at holde emner i en fastgøringsanordning eller skruestik end med hånden)
- **Anvend egnede søgeinstrumenter til at finde frem til skjulte forsyningsledninger eller kontakt det lokale forsyningselskab** (kontakt med elektriske ledninger kan føre til brand og elektrisk stød; beskadigelse af en gasledning kan føre til eksplosion; brud på et vandør kan føre til materiel skade eller elektrisk stød)
- Sørg for, at retningsknap B ② er i midten (låst) inden værktøjet indstilles eller der skiftes tilbehørsdele eller værktøjet bæres eller lægges fra
- Vær opmærksom på kræfterne, der opstår, hvis værktøjet sætter sig fast (især ved boring i metal). **Brug altid støttegrebet J**, og sørg for at stå sikkert

## TILBEHØR

- SKIL kan kun sikre en korrekt funktion af værktøjet, hvis der benyttes originalt tilbehør
- Der må kun benyttes tilbehør, hvis godkendte omdrejningstal er mindst så højt som værktøjets max. omdrejningstal i ubelastet tilstand

## EFTER BRUG

- Efter endt arbejde skal afbryderen afbrydes og alle bevægelige dele være stoppet før værktøjet sættes til side

## BATTERIER

- **Det medfølgende batteri er delvist opladet** (for at sikre fuld kapacitet af batteriet skal det oplades helt i batteriopladeren, inden du anvender dit elværktøj første gang)
- **Anvend kun de følgende batterier og batteriopladere, der leveres med dette værktøj**
  - SKIL-batteri: BR1\*31\*\*\*\*
  - SKIL-oplader: CR1\*31\*\*\*\*
- Brug ikke batteriet, hvis det er beskadiget. Det bør erstattes straks
- Adskil ikke batteriet
- Udsæt ikke værktøjet/batteriet for regn
- Tilladt omgivelsestemperatur (værktøj/oplader/batteri):
  - ved opladning 4...40°C
  - ved drift -20...+50°C
  - ved opbevaring -20...+50°C

## FORKLARING TIL SYMBOLERNE PÅ VÆRKTØJET/ BATTERI

- ③ Læs instruktionen inden brugen
- ④ Batterier vil eksplodere, hvis de kommer i ild, så forsøg aldrig at brænde batteriet
- ⑤ Opbevar værktøj/opladeren/batteriet i et lokale, hvor temperaturen ikke overstiger 50°C
- ⑥ Elværktøj og batterier må ikke bortskaffes som almindeligt affald

## BETJENING

- Opladning af batteriet
  - ! **Læs sikkerhedsadvarslerne og -anvisningerne, der følger med opladeren**
- Montering/fjernelse af batteriet ②
- Indikator for batteritilstand ⑦
- Tryk på knappen for batteristand G for at se batteriets aktuelle status ⑦a

! Når batteri-indikatorens nederste niveau blinker, når der trykkes på knappen G ⑦b, er batteriet tomt.

! Når batteri-indikatorens 2. niveau blinker, når der trykkes på knappen G ⑦c, er batteriet uden for den tilladte driftstemperatur.

- Batteribeskyttelse  
Værktøjet slukker eller det kan ikke tændes, når
  - **belastningen er for høj** --> fjern belastningen og start værktøjet igen
  - **batteritemperaturen er ikke inden for det tilladte område på -20 til +50 °C** -> 2 af trinene på batteri-indikatoren begynder at blinke, når der trykkes på knappen G ⑦c. Vent, indtil batteriet er tilbage inden for det tilladte temperaturområde
  - **batteriet er næsten tomt (for at beskytte mod dyb afladning)** -> batteri-indikatoren viser et lavt batteriniveau eller blinkende lavt batteriniveau ⑦b, når der trykkes på knappen G. Oplad batteriet
- ! **Undlad at betjene kontakten, efter at der er slukket for værktøjet, da det kan beskadige batteriet**
- Ændring af drejeretningen ⑧
  - Tænd/sluk-knappen B ② kan ikke tændes, hvis den ikke står helt til venstre/højre

! **ændre kun omdrejningsretningen når værktøjet er standset helt**

- Montering og afmontering af bits 9a & 9b
  - ! **SDS+ tilbehør skal renses og indfedtes let, før det sættes i værktøjet**
    - sæt tilbehøret i SDS+ borepatronen, mens du drejer og trykker, til den sidder fast; tilbehør bliver automatisk låst fast
    - kontroller fastlåsningen ved at trække i tilbehøret
    - tag tilbehøret ud ved at trække låsemuffen D tilbage
  - ! **SDS+ tilbehøret skal være frit bevægeligt, hvilket danner excentricitet, når værktøjet ikke er under belastning. Men tilbehøret sætter sig automatisk i midten under boring og dette har ingen påvirkning af borehullets nøjagtighed brug ikke bits med et beskadiget skaft**
- Kombineret afbryder for til/fra ⑩ og hastighedskontrol ⑪
  - kontroller hastigheden trinløst fra nul til maks. hastighed ved at trykke mere eller mindre på afbryderen B
- Valg af driftsfunktion ⑫
  - stil knappen C på den ønskede driftsfunktion, indtil låses fast
    - 1 = normal boring/skruing
    - 2 = slagboring
    - 3 = mejsling med roterende mejsel
    - 4 = mejsling med fast mejsel
  - ! **vælg kun driftsfunktion, når værktøjet er slukket, og batteriet er fjernet**
    - hammer mekanismen aktiveres med et let tryk på værktøjet når boret er i berøring med materialet
    - det tager kort tid for hammer mekanismen at nå op på fuld kraft
    - det bedste hammerborings resultat opnås ved et let tryk på værktøjet; borehastigheden vil ikke blive forøget ved større tryk på værktøjet
- Mejsling med en fastsat mejsel ⑬
  - ! **sluk værktøjet og tag batteriet ud**
    - vælg "roterende" mejsling
    - anbring mejsel i den ønskede position

- vælg "fast" mejsling
- LED-lys<sup>14</sup>
- LED-lyset E tænder automatisk, når kontakten B tændes
- ! Når LED-arbejdslyset begynder at blinke, er batteribeskyttelsen slået til (se ovenfor)
- Håndtering og styring af værktøjet<sup>15</sup>
- ! Når værktøjet bruges, skal du altid holde værktøjet på de grå markerede grebsområde(r)
- Brug altid støttegrebet J (kan justeres som vist på billedet)<sup>16</sup>
- ventilationshullerne F<sup>2</sup> må ikke tildækkes
- pres ikke for hårdt med værktøjet; lad værktøjet gøre arbejdet for dig
- Indstilling af boreddybden<sup>17</sup>

## GODE RÅD

- Brug rigtige bits<sup>18</sup>
- ! brug kun skarpe bits
- Til boring med ikke SDS-borebits i træ, metal og plastik skal der anvendes en adapter (medfølger ikke som standard)<sup>19</sup>
- ! SDS+ tilbehør skal renses og indfedtes let, før det sættes i værktøjet
- træk låsemuffen D tilbage og indsæt adapter i SDS+ borepatronen, mens du drejer og trykker, til den sidder fast; adapter bliver automatisk låst fast
- kontroller fastlåsningsen ved at trække i adapter
- stil afbryderen C på normal boreindstilling (må kun aktiveres, når værktøjet er slukket, og stikket er taget ud af stikkontakten)
- Ved boring i jernholdige metaller
  - forbor et mindre hul, når et stort hul skal bores
  - sørg for at smøre boret en gang imellem med olien
- Ved iskrøning af en skrue nær endeflader eller i endetræ bør der forbores for at undgå splinter i træet
- Splintfri boring i træ<sup>20</sup>
- Støvfri boring i vægge<sup>21</sup>
- Støvfri boring i lofter<sup>22</sup>
- Boring i fliser uden udskridning<sup>23</sup>
- Se yderligere oplysninger på [www.skil.com](http://www.skil.com)

## VEDLIGEHOLDELSE/SERVICE

- Dette værktøj er ikke beregnet til professionelt brug
- Hold altid værktøjet rent (særligt ventilationshullerne F<sup>2</sup>)
- ! Tag batteriet ud af værktøjet inden rengøring
- Skulle elværktøjet trods omhyggelig fabrikation og kontrol skulle holde op med at fungere, skal reparationen udføres af et autoriseret serviceværksted for SKIL-elektroværktøj
  - send det ikke adskilte værktøj sammen med et købsbevis til forhandleren eller nærmeste SKIL-serviceværksted (adresser og reservedelstegning af værktøjet findes på [www.skil.com](http://www.skil.com))
- Husk, at beskadigelse som følge af overbelastning eller forkert håndtering af værktøjet ikke er omfattet af garantien (se [www.skil.com](http://www.skil.com) vedrørende SKIL-garantibetingelserne, eller spørg din forhandler)

## MILJØ

- Elværktøj, batterier, tilbehør og emballage må ikke bortskaffes som almindeligt affald (kun for EU-lande)
  - i henhold til det europæiske direktiv 2012/19/EF om

bortskaffelse af elektriske og elektroniske produkter og gældende national lovgivning, skal brugt elværktøj indsamles separat og bortskaffes på en måde, der skåner miljøet mest muligt

- symbolet <sup>6</sup> erindrer dig om dette, når udskiftning er nødvendig

! Beskyt batteri terminaler med bredt tape for at undgå kortslutning

## STØJ / VIBRATION

- Målt i henhold til EN62841, dette værktøjs lydtrykniveau er 93.4dB (A) og lydeffektniveauet er 104.4dB (A) (usikkert K = 3 dB) og vibrationen\* (triaksvektorsum; usikkert K = 1.5 m/s<sup>2</sup>)
  - \* ved slagboring i beton 16.2 m/s<sup>2</sup>
  - \* ved mejsling 12.8 m/s<sup>2</sup>
- Vibrationsniveauet er målt i henhold til den standardiserede test som anført i EN62841. Det kan benyttes til at sammenligne to stykker værktøj og som en foreløbig bedømmelse af udsættelsen for vibrationer, når værktøjet anvendes til de nævnte form
  - anvendes værktøjet til andre formål eller med andet eller dårligt vedligehold tilbehør, kan dette øge udsættelsesniveauet betydeligt
  - de tidsrum, hvor værktøjet er slukket, eller hvor det kører uden reelt at udføre noget arbejde, kan reducere udsættelsesniveauet betydeligt
- ! Beskyt dig selv imod virkningerne af vibrationer ved at vedligeholde værktøjet og dets tilbehør, ved at holde dine hænder varme og ved at organisere dine arbejdsmonstre

N

## Trådløs, roterende borhammer uten børster

3851

## INTRODUKSJON

- Dette værktøjet er beregnet for hammerboring i betong, murstein og stein, samt for boring i tre, metall, keramikk og plast; værktøj med elektronisk hastighetskontroll og venstre/høyre rotasjon egner seg også for skruing og gjengeskjæring
- Hammersystemet i dette værktøjet overgår alle tradisjonelle slagboremekanismer ved bruk i betong
- Dette værktøjet er spesielt konstruert til bruk sammen med alt standard SDS+ tilbehør
- Dette værktøjet er ikke beregnet for profesjonell bruk
- Ta kontakt med forhandleren når deler mangler eller er skadet
- Les denne bruksanvisningen nøye før bruk og lagre den for fremtidig referanse
- Vær spesielt oppmerksom på sikkerhetsinstruksjonene og advarslene; unnlatelse av å følge disse kan føre til alvorlig personskaade

## TEKNISKE DATA <sup>1</sup>

## VERKTØYELEMENTER <sup>2</sup>

- A Rotasjonsretningsvelger (forover/senterlås/revers).
- B Bryter for av/på og hastighetskontroll
- C Bryter til valg av driftsmodus
- D Låsehylse
- E LED lys
- F Ventilasjonsåpninger
- G Knapp for batterinivåindikator
- H Dybdemåler
- J Hjelpehåndtak

## SIKKERHET

### GENERELLE SIKKERHETSADVARSLER FOR ELEKTROVERKTØY

**⚠ ADVARSEL** Les alle sikkerhetsadvarslene, instruksjonene, illustrasjonene og spesifikasjonene som følger med dette elektroverktøyet. Manglende etterlevelse av alle instruksjonene under kan resultere i elektrisk støt, brann og/eller alvorlig skade.

Lagre alle advarsler og instruksjoner for fremtidig referanse.

Begrepet «elektrisk verktøy» i advarslene refererer til ditt nettdrevne (med ledning) elektroverktøy eller batteridrevne (trådløse) elektroverktøy.

#### 1) SIKKERHET I ARBEIDSRÅDET

- a) **Hold arbeidsområdet rent og godt opplyst.** Rotete eller mørke områder gjør at ulykker lettere oppstår.
- b) **Ikke bruk maskinen i eksplosjonsfarlige omgivelser, for eksempel der det finnes brennbare væsker, gasser eller støv.** Elektroverktøy lager gnister som kan antenne støv eller damp.
- c) **Hold barn og andre personer unna når elektroverktøyet er i bruk.** Distraksjoner kan føre til at du mister kontrollen.

#### 2) ELEKTRISK SIKKERHET

- a) **Støpselet til elektroverktøyet må passe inn i stikkkontakten.** Støpselet må ikke modifiseres på noen som helst måte. Ikke bruk adapterstøpsler sammen med jordede elektroverktøy. Støpsler det ikke er gjort endringer med og riktige stikkontakter reduserer risikoen for elektrisk støt.
- b) **Unngå kroppskontakt med jordete overflater som rør, radiatorer, komfyrer og kjøleskap.** Det er økt risiko for elektrisk støt hvis kroppen din er jordet.
- c) **Ikke utsett elektroverktøy for regn eller våte omgivelser.** Kommer det vann inn i et elektroverktøy, øker risikoen for elektrisk støt.
- d) **Ikke utsett ledningen for feil behandling.** Unngå å bære eller dra i verktøyet ved hjelp av ledningen, eller å dra i ledningen når du skal ta verktøyet ut av stikkkontakten. Hold ledningen på avstand fra varme, olje, skarpe kanter og bevegelige deler. Skadede eller sammenfiltrede ledninger økte risikoen for elektrisk støt.
- e) **Når du bruker et elektroverktøy utendørs må du bruke skjøteledning som er godkjent for dette.** Bruk av ledning som er egnet for utendørs bruk reduserer risikoen for elektrisk støt.
- f) **Hvis du ikke kan unngå å bruke verktøyet i fuktige omgivelser, så benytt en jordfeilbryter.** Bruk av

jordfeilbryter reduserer risikoen for elektrisk støt.

#### 3) PERSONLIG SIKKERHET

- a) **Vær årvåken, se hva du gjør, og følg sunn fornuft når du bruker et elektroverktøy. Ikke bruk elektroverktøy når du er trøtt eller er påvirket av narkotika, alkohol eller medikamenter.** Et øyeblikks uoppmerksomhet mens du bruker elektroverktøy kan føre til alvorlige personskader.
- b) **Bruk personlig verneutstyr. Bruk alltid vernebriller.** Verneutstyr som støvmaske, sklislire sko, hard hatt eller hørselvern som brukes under passende forhold, reduserer personskader.
- c) **Unngå utilsiktet oppstart. Pass på at bryteren er i av-stilling før du kobler til strømkilden og/eller batteripakken, eller når du løfter og bærer verktøyet.** Bærer du elektroverktøy med fingeren på bryteren eller kobler det til strømkilden mens bryteren står i på-posisjon, vil det øke faren for ulykker.
- d) **Fjern eventuelle justeringsnøkler før du slår på elektroverktøyet.** Et verktøy eller en nøkkel som sitter igjen i en roterende del av elektroverktøyet, kan føre til personskade.
- e) **Ikke strekk deg for langt. Pass på å ha skikkelig fotfeste og balanse til enhver tid.** Dette muliggjør bedre kontroll over elektroverktøyet i uventede situasjoner.
- f) **Kle deg riktig. Ikke bruk løstsittende klær eller smykker.** Hold hår og klær på avstand fra bevegelige deler. Løse klær, smykker eller langt hår kan sette seg fast i bevegelige deler.
- g) **Hvis det følger med utstyr for tilkopling av støvavsug og oppsamlingsutstyr, skal disse kobles til og brukes riktig.** Bruk av støvoppsamlingsutstyr kan redusere støvrelaterte farer.
- h) **Selv om du har opparbeidet deg erfaring gjennom hyppig bruk av verktøyet må du alltid være årvåken og følge sikkerhetsinstruksjonene.** Et ørlite øyeblikks uoppmerksomhet er alt som skal til for at alvorlige personskader kan oppstå.
- 4) **BRUK OG VEDLIKEHOLD AV ELEKTROVERKTØY**
  - a) **Ikke legg press på elektroverktøyet. Bruk et elektroverktøy som er egnet for det du skal gjøre.** Et egnet elektroverktøy vil gjøre jobben på en bedre og tryggere måte, i den hastigheten verktøyet er konstruert for.
  - b) **Ikke bruk elektroverktøyet hvis bryteren ikke slår det på og av.** Elektroverktøy som ikke kan kontrolleres med bryteren er farlig og må repareres.
  - c) **Koble støpselet fra strømkilden og/eller fjern batteripakken, hvis den kan tas av, fra elektroverktøyet før du foretar justeringer, skifter tilbehør eller oppbevarer elektroverktøy.** Slike forebyggende trykke tiltak reduserer risikoen for å starte elektroverktøyet ved et uhell.
  - d) **Oppbevar elektroverktøy utilgjengelig for barn, og ikke la personer som ikke er kjent med verktøyet eller disse instruksjonene, betjene maskinen.** Elektroverktøy er farlige når de brukes av uerfarne personer.
  - e) **Elektroverktøy og tilbehør må vedlikeholdes. Se etter feil justering eller binding av bevegelige deler, brudd på deler og andre forhold som kan påvirke verktøyet.** Hvis det er skadet, må elektroverktøyet

repareres før bruk. Mange ulykker forårsakes av elektroverktøy som ikke er godt vedlikeholdt.

- f) **Hold skjæreverktøyet skjerpet og rent.** Riktig vedlikehold av skjæreverktøyet med skarpe kanter gjør at det er mindre sannsynlighet for oppbinding, og at det er lettere å kontrollere.
  - g) **Bruk elektroverktøy, tilbehør, bits, osv. i henhold til disse anvisningene, og ta hensyn til omgivelsene og arbeidet som skal utføres.** Bruk av elektroverktøy til andre formål enn det som er angitt, kan føre til farlige situasjoner.
  - h) **Hold håndtakene og gripeflatene tørre, rene og fri for olje og fett.** Glatte håndtak og gripeflater vil gjøre det vanskelig å kontrollere verktøyet og håndtere det på en sikker måte i uventede situasjoner.
- 5) BRUK OG VEDLIKEHOLD AV BATTERIVERKTØY**
- a) **Lades bare med ladere som er spesifisert av produsenten.** En lader som passer for én type batteripakke, kan gi brannfare dersom den brukes med andre batteripakker.
  - b) **Elektroverktøyet skal bare brukes med spesifiserte batteripakker.** Bruk av andre batteripakker kan skape risiko for skader og brann.
  - c) **Når batteriet ikke er i bruk skal det holdes unna andre metallgjenstander som binders, mynter, nøkler, spikere, skruer eller andre små metallgjenstander som kan lage forbindelse fra én terminal til en annen.** Kortslutning av batteripolene kan forårsake brannskader eller brann.
  - d) **Under farlige forhold kan væske komme ut av batteriet. Unngå kontakt med denne. Hvis kontakt oppstår ved et uhell, skyll med vann. Får du væske i øynene, skal det i tillegg søkes medisinsk hjelp.** Væske som blir slynget ut av batteriet, kan forårsake irritasjon eller brannskader.
  - e) **Ikke bruk en batteripakke eller et verktøy som er skadet eller tilpasset.** Skadde eller modifiserte batterier kan oppføre seg uforutsigbart og medføre brann, eksplosjon eller risiko for personskade.
  - f) **Ikke eksponer batteripakken eller verktøyet for ild eller svært høye temperaturer.** Eksponering for ild eller temperaturer over 130 °C kan forårsake eksplosjon.
  - g) **Følg alle ladeinstruksjonene og ikke lad batteriet eller verktøyet utenfor temperaturområdet som er angitt i instruksjonene.** Hvis batteriet lades på feil måte eller ved temperaturer som er utenfor det angitte området, kan batteriet bli skadet og brannrisikoen øke.
- 6) SERVICE**
- a) **Elektroverktøyet må repareres av et kvalifisert serviceverksted som kun bruker identiske reservedeler.** Dette opprettholder sikkerheten til elektroverktøyet.
  - b) **Batteripakker som er skadet, må aldri brukes.** Service på batteripakker må bare utføres av produsenten eller autoriserte tjenesteleverandører.

#### SIKKERHETSINSTRUKSJONER FOR TRÅDLØS HAMMER

- **Bruk hørselsvern.** Eksponering for støy kan forårsake hørselstap
- **Bruk hjelpehåndtak hvis det følger med verktøyet.** Tap av kontroll kan forårsake personskade

- **Hold elektroverktøyet i de isolerte gripeflatene når du utfører en operasjon der skjæretilbehøret kan komme i kontakt med skjulte ledninger** (skjæretilbehør som kommer i kontakt med en «strømførende» ledning kan gjøre eksponerte metalldeleer på elektroverktøyet «strømførende» og kan gi operatøren et elektrisk støt )

#### SIKKERHETSINSTRUKSJONER VED BRUK AV LANGE BOR MED ROTERENDE HAMMERE

- **Begynn alltid med å bore ved lav hastighet og med boretts spiss i kontakt med arbeidsstykket.** Ved høyere hastigheter har boret større sjanse for å bøye seg hvis det kan rotere fritt uten kontakt med arbeidsstykket. Dette kan medføre personskader.
- **Utøv trykk bare i en rett linje med boret og ikke anvend for mye trykk.** Bits kan bøye seg, forårsake brudd eller tap av kontroll, noe som resulterer i personskade.

#### GENERELL

- **Ikke bruk materialer som inneholder asbest** (asbest regnes som kreftfremkallende)
- Dette verktøyet bør ikke brukes av personer under 16 år
- Støv fra materialer som bly som inneholder maling, noen treslag, mineraler og metall kan være skadelig (kontakt med eller innånding av støvet kan forårsake allergiske reaksjoner og/eller luftveissykdommer for operatøren eller tilskuere); **bruk støvmaske og arbeid med støvsugingsenhet når den kan kobles til**
- Enkelte typer støv er klassifisert som kreftfremkallende (for eksempel eik- og bøkestøv) spesielt i forbindelse med tilsetningsstoffer for trebehandling; **bruk støvmaske og arbeid med støvsugingsenhet når den kan kobles til**
- Følg de støvrelaterte nasjonale kravene for materialene du ønsker å jobbe med

#### FØR BRUK

- Unngå skader som kan forårsakes av skruer, nagler og andre elementer i arbeidsstykket ditt; fjern dem før du begynner å jobbe
- **Sikre arbeidsstykket** (et arbeidsstykke som er fastklemt med klemanordninger eller i en skrustikke holdes sikrere enn for hånd)
- **Bruk egnede detektorer for å finne skjulte ledninger eller ring det lokale forsyningsselskapet for å få hjelp** (kontakt med elektriske ledninger kan føre til brann eller elektrisk støt; skade på en gassledning kan resultere i en eksplosjon; penetrasjon av et vannrør vil forårsake skade på eiendom eller en elektrisk sjokk)
- Sørg for at rotasjonsretningsvelgeren B ② er i midtstilling (låst) før du foretar justeringer eller bytter tilbehør, samt når du bærer eller oppbevarer verktøyet.
- Vær oppmerksom på krefte som oppstår som følge av fastkjøring (spesielt ved boring av metaller); **bruk alltid hjelpehåndtak J** og ta en sikker stilling

#### TILBEHØR

- **SKIL** kan kun sikre feilfri funksjon av verktøyet når originalt tilbehør brukes
- Bruk kun tilbehør med en tillatt hastighet som tilsvarer minst den høyeste tomgangshastigheten til verktøyet

#### ETTER BRUK

- Når du legger fra deg verktøyet, slå av motoren og sørg for at alle bevegelige deler har stoppet helt

#### BATTERIER

- **Batteriet som følger med er delvis oppladet** (for å sikre full kapasitet på batteriet, lad batteriet helt opp i batteriladeren før du bruker elektroverktøyet for første gang).
- **Bruk kun følgende batterier og ladere med dette verktøyet**
  - SKIL -batteri: BR1\*31\*\*\*\*
  - SKIL-lader: CR1\*31\*\*\*\*
- Ikke bruk batteriet når det er skadet; den bør skiftes ut umiddelbart
- Ikke demonter batteriet
- Ikke utsett verktøyet/batteriet for regn
- Tillatt omgivelsestemperatur (verktøy/lader/batteri):
  - ved lading 4...40 °C
  - under drift -20 ...+50 °C
  - ved lagring -20 ...+50 °C

#### FORKLARING AV SYMBOLER PÅ VERKTØY/BATTERI

- ③ Les instruksjonsboken før bruk
- ④ Batterier kan eksplodere når de kastes i brann, så ikke brenn batteriet av en eller annen grunn
- ⑤ Oppbevar verktøy/lader/batteri på steder der temperaturen ikke overstiger 50 °C
- ⑥ Ikke kast elektriske verktøy og batterier sammen med husholdningsavfall

## BRUK

- Batteriladning  
**! les sikkerhetsadvarslene og instruksene levert med laderen**
- Fjerne/installere batteriet ②
- Batterinivåindikator ⑦
  - trykk på batterinivåindikatorknappen G for å vise gjeldende batterinivå ⑦a
  - ! når det laveste nivået på batteriindikatoren begynner å blinke etter å ha trykket på knappen G⑦b, er batteriet tomt**
  - ! når 2 nivåer av batteriindikatoren begynner å blinke etter å ha trykket på knappen G7c, er batteriet ikke innenfor det tillatte driftstemperaturområdet**
- Batteribeskyttelse  
Verktøyet blir plutselig slått av eller forhindret fra å slå på, når
  - **lasten er for høy** --> fjern lasten og start på nytt
  - **batteritemperaturen er ikke innenfor det tillatte driftstemperaturområdet på -20 til +50°C** --> 2 nivåer av batterinivåindikatoren begynner å blinke når du trykker på knappen G7c; vent til batteriet er tilbake innenfor det tillatte driftstemperaturområdet
  - **batteriet er nesten tomt (for å beskytte mot dyp utlading)** --> lavt batterinivå eller blinkende lavt batterinivå 7b vises av batterinivåindikatoren når du trykker på knappen G; lade batteriet
  - ! ikke fortsett å trykke på av/på-bryteren etter at verktøyet er slått av automatisk; batteriet kan være skadet**
- Endring av rotasjonsretning ④
- når den ikke er riktig satt i venstre/høyre posisjon, kan ikke bryter B② aktiveres  
**! endre rotasjonsretning kun når verktøyet står helt stille**
- Installere og fjerne bits ③a og ③b  
**! rengjør og smør SDS+-tilbehøret lett før det settes**

## inn

- sett inn tilbehøret i SDS+-chucken mens du dreier og skyver det til det går i inngrep; tilbehøret låses i posisjon automatisk
- trekk i tilbehøret for å kontrollere at det er riktig låst
- fjern tilbehøret ved å trekke tilbake låsehylsen D
- ! SDS+-tilbehøret krever bevegelsesfrihet som forårsaker eksentrisitet når verktøyet er avlastet; Tilbehøret sentrerer seg imidlertid automatisk under drift uten å påvirke boringspresisjonen**
- ! ikke bruk bits med skadet skaft**
- Kombinert bryter for på/av ⑩ og hastighetskontroll ⑪
  - kontroller hastigheten trinnløst fra null til maksimum ved å legge mindre eller mer trykk på bryteren B
- Velg driftsmodus ⑫
- vri bryteren C til ønsket driftsmodus til den klikker på plass
  - 1 = normal boring/skruing
  - 2 = slagboring
  - 3 = meisling med roterende meisel
  - 4 = meisling med fast meisel
- ! velg kun driftsmodus når verktøyet er slått av og batteriet er fjernet**
- hammermekanismen aktiveres ved å tilføre et lett trykk bak på drillen når boret står i kontakt med arbeidsmaterialet
- det tar litt tid for at hammermekanismen skal nå full slageffekt
- beste hammerboringsresultat oppnås ved kun lett belastning på verktøyet; resultatet forbedres ikke ved å legge mer kraft på verktøyet
- Meisling med fast meisel ⑬
  - ! slå av verktøyet og ta ut batteriet**
  - velg modus for roterende meisling
  - sett meiselen på ønsket sted
  - velg modus for fast meisling
- LED-lys ⑭
  - LED-lys E tennes automatisk når bryteren B aktiveres
  - ! når LED-arbeidslys begynner å blinke, er batteribeskyttelsen aktivert (se ovenfor)**
- Holde og lede verktøyet ⑮
  - ! mens du arbeider, hold alltid verktøyet ved det/de gråfargede grepsområdene(e)**
  - **bruk alltid hjelpehåndtak J** (kan justeres som illustret) ⑮
  - hold ventilasjonsåpningene F② avdekket
  - ikke legg for mye press på verktøyet; la verktøyet gjøre jobben for deg
- Justering av boredybde ⑰

## DRIFTSRÅD

- Bruk de riktige bitene ⑮
- ! bruk kun skarpe biter**
- For boring med ikke-SDS-bor i tre, metall og plast, bruk en adapter (ikke standard inkludert) ⑲
  - ! rengjør og smør SDS+-tilbehøret lett før det settes inn**
  - trekk tilbake låsehylsen D og sett inn adapteren i SDS+-chucken mens du dreier og skyver den til den går i inngrep; adapteren låses automatisk i posisjon
  - trekk i adapteren for å sjekke om den er riktig låst
  - still bryter C til normal boring (aktiveres kun når verktøyet er slått av og bryteren er låst)

- Ved boring i jernholdige metaller
  - bor først et lite hull, når et stort hull er krevet
  - smør boret av og til med olje
- Ved skru inn en skrue ved/nær den tverrskårne enden eller en trekant, forbor et hull for å unngå sprekkdannelser i treet
- Splintfri boring i tre <sup>(20)</sup>
- Støvfri boring i vegger <sup>(21)</sup>
- Støvfri boring i tak <sup>(22)</sup>
- Boring i fliser uten å skli <sup>(23)</sup>
- For mer informasjon se [www.skil.com](http://www.skil.com)

## VEDLIKEHOLDSSERVICE

- Dette verktøyet er ikke beregnet for profesjonell bruk
- Hold alltid verktøyet rent (spesielt ventilasjonsåpninger F<sup>(2)</sup>)
- **! fjern batteriet fra verktøyet før rengjøring**
- Hvis verktøyet skulle svikte til tross for forsiktighet i produksjons- og testprosedyrene, bør reparasjonen utføres av et ettersalgsservicesenter for SKIL elektroverktøy
  - send verktøyet umontert sammen med kjøpsbevis til din forhandler eller nærmeste SKIL-servicesasjon (adresser samt serviceskjema for verktøyet er oppført på [www.skil.com](http://www.skil.com))
- Vær klar over at skade som skyldes overbelastning eller feilbehandling av verktøyet ikke dekkes av garantien (for SKIL garantibetingelser se [www.skil.com](http://www.skil.com) eller spør din forhandler)

## MILJØ

- **Ikke kast elektrisk verktøy, batterier, tilbehør og emballasje sammen med husholdningsavfall** (kun for EU-land)
  - i henhold til EU-direktiv 2012/19/EF om kasserte elektriske og elektroniske produkter og direktivets iverksetting i nasjonal rett, må elektroverktøy som ikke lenger skal brukes, samles separat og returneres til et miljøvennlig gjenvinningsanlegg
  - symbolet <sup>(6)</sup> vil minne deg på dette når behovet for avhending oppstår
- **! Beskytt batteripolene med kassett for kassering for å unngå kortslutning**

## STØY / VIBRASJON

- Målt i samsvar med EN62841 er lydtrykknivået til dette verktøyet 93.4 dB(A) og lydeffektnivået 104.4 dB(A) (usikkerhet K = 3 dB), og vibrasjonen\* (triaksvektorsum; usikkerhet K = 1.5 m/s<sup>2</sup>)
  - \* ved hammerboring i betong 16.2 m/s<sup>2</sup>
  - \* ved meisling 12.8 m/s<sup>2</sup>
- Vibrasjonsutslippsnivået er målt i henhold til en standardisert test gitt i EN62841; det kan brukes til å sammenligne ett verktøy med et annet og som en foreløpig vurdering av eksponering for vibrasjoner ved bruk av verktøyet til de nevnte bruksområdene
  - bruk av verktøyet til forskjellige applikasjoner, eller med annet eller dårlig vedlikeholdt tilbehør, kan øke eksponeringsnivået betydelig
  - Tidene når verktøyet er slått av eller når det kjører, men ikke gjør jobben, kan **redusere** eksponeringsnivået betydelig
- **! Beskytt deg selv mot vibrasjonseffekter ved å**

vedlikeholde verktøyet og dets tilbehør, holde hendene varme og organisere arbeidsmønstrene dine

FIN

## Harjaton akkuperavasara

3851

## ESITTELY

- Tämä työkalu on tarkoitettu vasaraporaukseen betoniin, tiileen ja kiveen sekä poraamiseen puuhun, metalliin, keramiikkaan ja muoviin; elektronisella nopeudensäädöllä ja suunnanvaihdolla varustetut työkalut soveltuvat myös ruuvinvääntöön ja kierteitykseen
- Iskumekanismi tekee tarpeettomaksi kaikki traditionaaliset iskuporat porattaessa betoniin
- Tässä koneessa voidaan käyttää tavallisia SDS+ tarvikkeita
- Tätä työkalua ei ole tarkoitettu ammattikäyttöön
- Jos osia puuttuu tai on vioittunut, ota yhteyttä jälleenmyyjään
- **Lue tämä ohjekirja huolella ennen käyttöä ja pidä se tallella tulevia tarpeita varten** <sup>(3)</sup>
- **Kiinnitä erityistä huomiota turvallisuutta koskeviin ohjeisiin ja varoituksiin. Niiden laiminlyönti voi aiheuttaa vakavan loukkaantumisen.**

## TEKNISET TIEDOT <sup>(1)</sup>

## TYÖKALUN OSAT <sup>(2)</sup>

- A Pyörimissuunnan valitsin (eteenpäin / lukitus keskelle / taaksepäin)
- B On/off- ja nopeudensäätökytkin
- C Kytkin käyttötilan valitsemiseksi
- D Lukitusholkki
- E LED-valo
- F Ilmanvaihto-aukot
- G Akun varaustason ilmaispainike
- H Syvyysmittari
- J Lisäkahva

## TURVALLISUUS

### YLEISET SÄHKÖTYÖKALUJEN TURVALLISUUSVAROITUKSET

**VAROITUS** Lue kaikki tämän sähkötyökalun mukana tulleet turvallisuusvaroitukset, ohjeet, piirustukset ja tekniset tiedot. Jos kaikkia alla olevia ohjeita ei noudateta, seurauksena saattaa olla sähköisku, tulipalo ja/tai vakava loukkaantuminen.

**Säilytä kaikki varoitukset ja ohjeet myöhempää käyttöä varten.**

Varoituksissa käytetty termi "sähkötyökalu" tarkoittaa joko verkkovirtakäyttöistä (johdollista) sähkötyökalua tai akkukäyttöistä (johdotonta) sähkötyökalua.

## 1) TYÖALUEEN TURVALLISUUS

- a) **Pidä työskentelyalue siistinä ja hyvin valaistuna.** Sotkuiset tai hämärät alueet aiheuttavat onnettomuuksia.
- b) **Älä käytä sähkötyökaluja räjähdysherkässä ympäristössä, kuten syttyvien nesteiden, kaasujen tai pölyn läheisyydessä.** Sähkötyökalut saattavat aiheuttaa kipinöitä, jotka voivat sytyttää tomun tai höyryjä.
- c) **Älä päästä lapsia tai sivullisia lähelle, kun käytät sähkötyökaluja.** Häiriötekijät voivat aiheuttaa hallinnan menettämisen.

## 2) SÄHKÖTURVALLISUUS

- a) **Sähkötyökalun pistotulpan on vastattava pistorasiaa. Älä ikinä muokkaa pistotulppaa millään tavalla. Älä käytä minkäänlaisia sovitinpistotulppia maadoitettujen sähkötyökalujen kanssa.** Muokkaamattomat pistotulpat ja niihin sopivat pistorasiat vähentävät sähköiskun vaaraa.
- b) **Vältä koskemasta vartalollasi maadoitettuihin pintoihin, kuten putkiin, lämmityspattereihin, liesiin ja jääkaappeihin.** Sähköiskun riski kasvaa, jos kehosi on maadoitettu.
- c) **Älä altista sähkötyökaluja sateelle tai kosteudelle.** Sähkötyökaluun pääsevä vesi lisää sähköiskun vaaraa.
- d) **Älä väärinkäytä johtoa. Älä koskaan kannata tai vedä laitetta johdosta tai irrota pistoketta pistorasiasta johdosta vetämällä.** Pidä johto poissa tulen, öljyn, terävien reunojen tai liikkuvien osien läheltä. Vahingoittuneet tai sokeutuneet johdot lisäävät sähköiskun riskiä.
- e) **Kun käytät sähkötyökalua ulkona, käytä ulkokäyttöön tarkoitettua jatkojohtoa.** Ulkokäyttöön tarkoitettun jatkojohdon käyttö vähentää sähköiskun riskiä.
- f) **Jos et voi välttää sähkötyökalun käyttöä kosteissa olosuhteissa, käytä vikavirtasuojakytkimellä (vvsk) suojattua virtälähdettä.** Vikavirtasuojakytkimen käyttö vähentää sähköiskun vaaraa.

## 3) HENKILÖKOHTAINEN TURVALLISUUS

- a) **Ole valpas, tarkkaavainen ja käytä maalaisjärkeä, kun käytät sähkötyökalua. Älä käytä sähkötyökalua, jos olet väsynyt tai huumeiden, alkoholin tai lääkkeiden vaikutuksen alaisena.** Hetkellinenkin huomion herpaantuminen sähkötyökalua käytettäessä saattaa aiheuttaa vakavan henkilökohtaisen vamman.
- b) **Käytä henkilönsuojaimia. Käytä aina silmäsuojaimia.** Tarvittaessa käytettävät suojavarusteet, kuten hengityssuojain, liukuesteelliset turvakengät, suojakypärä tai kuulonsuojaimet, vähentävät henkilövahinkoja.
- c) **Estä vahingossa käynnistyminen. Varmista, että kytkin on off-asennossa, ennen kuin liität virtalähteen ja/tai akun, nosta laitteen tai kannat sitä.** Sähkötyökalujen kantaminen niin, että sormesi on kytkimellä, tai sähkötyökaluihin virran kytkeminen kytkin päällä voi aiheuttaa onnettomuuksia.
- d) **Poista kaikki säätöön käytetyt avaimet tai kiintoavaimet ennen kuin käynnistät sähkötyökalun.** Sähkötyökalun pyöriivään osaan jätetty avain tai kiintoavain saattaa aiheuttaa henkilövamman.
- e) **Älä kurkottele. Säilytä aina tukeva asento ja hyvä tasapaino.** Näin hallitset sähkötyökalun parhaalla mahdollisella tavalla odottamattomissa tilanteissa.
- f) **Pukeudu asianmukaisesti. Älä käytä väljiä vaatteita**

**tai koruja. Pidä hiukset ja vaatteet etäällä liikkuvista osista.** Väljät vaatteet, korut tai pitkät hiukset voivat takertua liikkuviin osiin.

- g) **Jos laitteissa on liitännät pölynpoistolaitteille ja keräilylaitteille, varmista, että ne on liitetty ja niitä käytetään oikein.** Pölynpoistolaitteiden käyttö vähentää pölyn liittyviä vaaroja.
- h) **Älä anna tuotteen tuttuuden toistuvan käytön takia tehdä sinua liian itsevarmaksi, äläkä jätä työkalun turvallisuusohjeita noudattamatta.** Huolimaton toiminta voi aiheuttaa vakavan henkilövahingon sekunnin murto-osassa.
- 4) **SÄHKÖTYÖKALUJEN KÄYTTÖ JA KUNNOSSAPITO**
- a) **Älä pakota sähkötyökalua. Käytä omaan käyttötarkoitukseesi soveltuva sähkötyökalua.** Oikea sähkötyökalu suoriutuu parhaiten ja turvallisimmin tehtävästä sille tarkoitettua nopeudella.
- b) **Älä käytä sähkötyökalua, jos sitä ei saa käynnistettyä ja suljettua kytkimellä.** Sähkötyökalun, jota ei voida hallita kytkimellä, käyttö on vaarallista ja laite on korjattava.
- c) **Irrota pistotulppa virtalähteestä ja/tai irrota akku sähkötyökalusta, jos irrotettavissa, ennen kuin teet mitään säätöjä, vaihdat apuvälineitä tai laitat sähkötyökalun varastoon.** Nämä estävät turvallisuusuutoimenpiteet vähentävät sähkötyökalun vahingossa käynnistymisen riskiä.
- d) **Säilytä käyttämättömiä sähkötyökaluja lasten ulottumattomissa, äläkä anna henkilöiden, jotka eivät tunne sähkötyökalua tai niitä ohjeita, käyttää sähkötyökalun.** Sähkötyökalut ovat vaarallisia kokemattomien käyttäjien käsissä.
- e) **Huolla sähkötyökalut ja lisävarusteet. Tarkista, että liikkuvat osat ovat kunnolla paikallaan, että osat ovat ehjiä, ja että sähkötyökalussa ei ole muita ongelmia, jotka saattaisivat vaikuttaa sen toimintaan. Jos sähkötyökalu on vahingoittunut, korjauta se ennen käyttöä.** Monet onnettomuudet johtuvat huonosti ylläpidetyistä sähkötyökaluista.
- f) **Pidä leikkuutyökalut terävinä ja puhtaina.** Oikein huolletut leikkuutyökalut, joissa on terävät leikkuureunat, eivät todennäköisesti jumiuudu, ja niitä on helpompi hallita.
- g) **Käytä sähkötyökaluja, lisävarusteita ja teriä ym. näiden ohjeiden mukaisesti ja niin, että otat huomioon käyttöolosuhteet ja tehtävän työn.** Sähkötyökalujen käyttöä muuhun kuin niille suunniteltuihin tarkoituksiin saattaa aiheuttaa vaaratilanteen.
- h) **Pidä kahvat ja tartuntapinna kuivina, puhtaina, öljyttöminä ja rasvattomina.** Liukkaat kahvat ja tartuntapinnat eivät mahdollista työkalun turvallista käsittelyä ja hallintaa odottamattomissa tilanteissa.
- 5) **AKKUTYÖKALUN KÄYTTÖ JA KUNNOSSAPITO**
- a) **Lataa vain valmistajan määrittelemällä laturilla.** Laturi, joka sopii yhdyntyyppiselle akulle voi aiheuttaa tulipalovaaran, jos sitä käytetään toisenlaisen akun kanssa.
- b) **Käytä sähkötyökaluissa vain erityisesti niihin tarkoitettuja akkuja.** Muunlaisten akkujen käyttö saattaa aiheuttaa henkilövahingon tai tulipalon vaaran.
- c) **Kun akku ei ole käytössä, pidä se erillään metalliesineistä, kuten paperiliittimet, kolikot, avaimet, naulat, ruuvit ja muut pienet metalliesineet, jotka voivat yhdistää akun navat toisiinsa.** Akun

napojen oikosulku voi aiheuttaa palovammoja tai tulipalon.

- d) **Akusta voi valua nestettä väärästä käytöstä johtuen. Vältä kosketusta nesteeseen. Jos kosketusteeseen vahingossa, huuhtelee vedellä. Jos nestettä pääsee silmiin, hakeudu lääkäriin hoitoon.** Akusta valuva neste voi aiheuttaa ärsytystä tai palovammoja.
- e) **Älä käytä akkua tai työkalua, joka on vaurioitunut tai jota on muutettu.** Vaurioituneet tai muutetut akut voivat käyttäytyä arvaamattomasti ja aiheuttaa tulipalon, räjähdysken tai henkilövahingon vaaran.
- f) **Älä altista akkua tai työkalua tulelle tai äärimmäsille lämpötiloille.** Altistaminen yli 130 °C:n lämpötilalle voi aiheuttaa räjähdysken.
- g) **Noudata kaikkia latausohjeita, äläkä lataa akkua tai työkalua lämpötilassa, joka ei ole ohjeissa ilmoitetun lämpötila-alueen sisällä.** Virheellinen lataaminen tai lataaminen ilmoitetun lämpötila-alueen ulkopuolella olevassa lämpötilassa voi vaurioittaa akkua ja lisätä palovaaraa.
- 6) **HUOLTO**
- a) **Huollata sähkötyökalusi asiantuntevalla korjaajalla, joka käyttää vain identtisiä varaosia.** Näin taataan sähkötyökalun turvallisuuden säilyminen.
- b) **Älä koskaan huolla vaurioituneita akkuja.** Akkujen huollon saa tehdä vain valmistaja tai sen valtuuttamat huoltoliikkeet.

#### AKKUPORAVASARAN TURVALLISUUSOHJEET

- **Käytä kuulonsuojaimia!** Melulle altistuminen voi aiheuttaa kuulonmenetyksen
- **Käytä apukahvaa (-kahvoja), jos ne toimitetaan työkalun mukana.** Hallinnan menettäminen voi aiheuttaa henkilövahingon
- **Tartu sähkötyökaluun eristetyistä tartuntapinnoista, koska leikkuuterät voivat osua pölyssä oleviin johtoihin** (leikkuuterän kosketus ”jännitteeseen” johtoon voi saattaa sähkötyökalun paljaat metalliosat jännitteisiksi ja voi aiheuttaa sähköiskun käyttäjälle)

#### TURVALLISUUSOHJEET: PORAVASARAT JA PITKÄT PORANTERÄT

- **Aloita poraaminen aina alhaisella nopeudella ja siten, että terän kärki on kosketuksissa työkappaleeseen.** Suuremmilla nopeuksilla terä todennäköisesti taipuu, jos sen annetaan pyöriä vapaasti ilman kosketusta työkappaleeseen, mikä voi johtaa henkilövahinkoihin.
- **Paina terää vain suorassa linjassa, äläkä käytä liiallista painetta.** Terät voivat taipua, aiheuttaa rikkoutumisen tai hallinnan menettämisen, mikä voi johtaa henkilövahinkoihin.

#### YLEISTÄ

- **Älä koskaan työstä asbestipitoista ainetta (asbestia pidetään karsinogeenisena)**
- **Tätä työkalua eivät saa käyttää alle 16-vuotiaat henkilöt**
- **Sellaisista materiaaleista, kuten lyijypitoinen maali, jotkin puulajit, mineraalit ja metalli, tuleva pöly voi olla vahingollista (pölyn kanssa kosketuksiin joutuminen tai sen sisään hengittäminen voi aiheuttaa käyttäjälle tai sivullisille allergiareaktioita ja/tai hengityselinten**

sairauksia); **käytä hengityssuojainta ja työskentele pölynpoistolaitteen kanssa, kun sellainen on liitettävissä**

- **Tietyntyyppiset pölyt on luokiteltu karsinogeenisiksi** (kuten tammi- ja pyökkipöly) erityisesti puun käsittelyyn käytettävien lisäainesten yhteydessä; **käytä hengityssuojainta ja työskentele pölynpoistolaitteen kanssa, kun sellainen on liitettävissä**
- **Noudata maakohtaisia pölyyn liittyviä sääntöjä**

#### ENNEN KÄYTTÖÄ

- **Vältä vaaralliset vahingot, jotka voivat aiheutua nautoista, ruuveista tai muista kohteista työstettävässä materiaalissa; poista ne ennen työskentelyn aloittamista**
- **Kiinnitä työstettävä kappale** (kiinnittimeen tai puristimeen kiinnitetty työstettävä kappale pysyy tukevammin paikoillaan kuin käsin pidettäessä)
- **Käytä sopivia etsintälaitteita pölyssä olevien syöttötohtojen paikallistamiseksi tai käänny paikallisen jakeluuyhtiön puoleen** (kosketus sähköjohtoon saattaa johtaa tulipaloon ja sähköiskuun; kaasuputken vahingoittaminen saattaa johtaa räjähdysken; vesiputken tunkeutuminen aiheuttaa aineellista vahinkoa tai saattaa johtaa sähköiskuun)
- **Varmista, että pyörimissuunnan valitsin B 2 on keskellä (lukitus)asennossa, ennen kuin suoritat säätöjä, vaihdat varusteita, kannat työkalua tai siirät sen varastoon.**
- **Tarkkaile valppaasti juuttumisen aiheuttamia seurauksia** (varsinkin metalleja porattaessa); **käytä aina apukahvaa J ja asetaudu tukevaan asentoon**

#### VARUSTEET

- **SKIL pystyy takaamaan työkalun moitteettoman toiminnan vain, kun käytetään alkuperäisiä tarvikkeita**
- **Käytä vain tarvikkeita, joiden sallittu kierrosluku on vähintään yhtä suuri kuin laitteen suurin tyhjäkäyntikierrosluku**

#### KÄYTÖN JÄLKKEEN

- **Kun panet koneen pois, sammuta moottori ja varmista, että kaikki liikkuvat osat ovat pysähtyneet**

#### AKUT

- **Akku toimitetaan osittain ladattuna** (varmista akun suoritussteho lataamalla akku aivan täyteen akkulaturilla ennen sähkötyökalun ensimmäistä käyttökertaa)
- **Käytä työkalun kanssa vain seuraavia akkuja ja latureita**
  - SKIL-akku: BR1\*31\*\*\*\*
  - SKIL-laturi: CR1\*31\*\*\*\*
- **Älä käytä vahingoittunutta akkua, vaan vaihda se välittömästi**
- **Älä pura akkua**
- **Suojaa työkalu/akku sateelta**
- **Sallittu ympäristön lämpötila (työkalu/laturi/akku):**
  - ladattaessa 4...40 °C
  - käytön aikana -20...+50 °C
  - varastoinnin aikana -20...+50 °C

#### TYÖKALUN/AKUN SYMBOLIEN SELITYKSET

- ③ **Lue käyttöohjeet ennen käyttöä**
- ④ **Akut räjähtävät, jos ne hävitetään polttamalla, joten älä missään tapauksessa polta niitä**
- ⑤ **Säilytä työkalua/laturia/akkua paikoissa, joissa lämpötila ei ole yli 50 °C**
- ⑥ **Älä hävitä sähkötyökaluja ja akkuja tavallisen kotitalousjätteen mukana**

## KÄYTTÖ



- Akun lataaminen  
**! lue kaikki laturin mukana tulevat turvallisuusvaroitukset ja -ohjeet**
- Akun irrottaminen/asentaminen ②
- Akun lataustilan ilmaisin ⑦
  - painamalla akun varaustason ilmaisinpainiketta G näet akun nykyisen varaustason ⑦a
  - ! kun akun ilmaisimen alin taso alkaa vilkkua painikkeen G⑦b painamisen jälkeen, akku on tyhjä**
  - ! kun akun ilmaisimen 2 tasoa alkaa vilkkua painikkeen G⑦c painamisen jälkeen, akku ei ole sallitulla käyttölämpötila-alueella**
- Akun suojaus  
Työkalu sammuu automaattisesti tai sitä ei voi kytkeä päälle, jos
  - **kuormitus on liian suuri** -> vähennä kuormitusta ja käynnistä uudelleen
  - **akun lämpötila ei ole sallitulla käyttölämpötila-alueella -20...+50 °C** -> 2 akun varaustason valoa alkaa vilkkua, kun painat painiketta G⑦c; odota, kunnes akku on sallitulla käyttölämpötila-alueella uudelleen
  - **akku on lähes tyhjä (suojaus syväpurkautumista vastaan)** -> alhainen akun varaustaso tai vilkkuva akun alhainen taso ⑦b näkyy akun lataustason ilmaisimessa, kun painat painiketta G; lataa akku
  - ! älä jatka virtakytkimen painamista sen jälkeen, kun kone on kytkettynt pois päältä automaattisesti; akku voi vaurioitua**
- Pyörintäsuunnan vaihto ⑧
  - jos se ei ole oikein asetettu vasen/oikea asentoon, kytkintä B2 ei voi käyttää
  - ! muuta pyörintäsuuntaa vain kun työkalu on täysin pysähtynyt**
- Kärkien asennus ja irrotus ⑨a ja ⑨b  
**! SDS+ tarvikkeet puhdistetaan ja rasvataan kevyesti ennen käyttöä**
  - aseta tarvike SDS+ istukkaan samalla kun kierrät ja työnnät sitä, kunnes se lukkiutuu; tarvike lukkiutuu kiinni itsestään
  - lukkiutuminen tarkistetaan vetämällä tarvikkeita ulospäin
  - irrota tarvike vetämällä lukitusholkkia D taaksepäin
  - ! SDS+ tarvikkeen on oltava vapaasti liikuteltavissa, siten syntyy tyhjäkäynnillä pyörintäheitoa, joka porattaessa keskiöityy; tällä ei ole mitään vaikutusta porausreiän tarkkuuteen**
  - ! älä käytä kärkiä, joiden varsi on vahingoittunut**
- Yhdistetty kytkin on/off ⑩ ja nopeudensäätö ⑪
  - valitse nopeus portaattomasti nolasta maksiminopeuteen painamalla liipaisinta B enemmän tai vähemmän
- Käyttötilan valinta ⑫
  - käännä kytkin C haluamaasi käyttötilaan niin, että se napsahtaa paikalleen
  - 1 = normaali poraus/ruuvinkierteitys
  - 2 = iskuporaus
  - 3 = piikkaus pyörivällä taltalla
  - 4 = piikkaus kiinteällä taltalla
  - ! Valitse toimintatila vain, kun työkalu on kytketty pois päältä ja akku on irrotettu**
  - iskumeکانismi aktivoituu kevyellä painamisella kun

- poranterä on kiinni työstökohteessa
- vasarameکانismi saavuttaa täyden iskuvoiman lyhyessä ajassa
- parhaat vasaraporaustulokset saavutetaan työkalun kevyellä painamisella; poraustulos ei parane lisäämällä työkalun painamista.
- Piikkaus kiinteällä taltalla ⑬
  - ! Kytke työkalu pois päältä ja poista akku**
  - valitse "pyörivä" piikkaustila
  - aseta taltta haluamaasi asentoon
  - valitse "kiinteä" piikkaustila
- LED-valo ⑭
  - LED-valo E syttyy automaattisesti, kun kytkin B aktivoidaan
  - ! kun LED-työvalo alkaa vilkkua, akun suojaus on aktivoitunut (katso edeltä)**
- Työkalun piteily ja ohjaaminen ⑮
  - ! pidä aina työskentelyn aikana kiinni työkalun harmaista tartunta-alueista**
  - **käytä aina apukahvaa J** (voidaan säätää kuvan osoittamalla tavalla) ⑮
  - pidä tuuletusaukot F2 vapaina
  - älä paina työkalua liian voimakkaasti; vaan anna työkalun tehdä työ puolestasi
- Porausryövyöden säätö ⑰

## VINKKEJÄ

- Käytä oikeantyyppisiä kärkiä ⑮
- ! käytä vain teräviä teriä**
- Käytä adapteria puun, metallin ja muovin poraamiseen muilla kuin SDS-poranterillä (ei sisälly vakiovarusteisiin) ⑰
- ! SDS+ tarvikkeet puhdistetaan ja rasvataan kevyesti ennen käyttöä**
  - vedä lukitusholkki D taakse ja aseta adapteri SDS+ istukkaan samalla kun kierrät ja työnnät sitä, kunnes se lukkiutuu; adapteri lukkiutuu kiinni itsestään
  - vedä adapteria tarkistaaksesi, onko se lukittunut oikein
  - aseta kytkin C normaaliin poraukseen (toimii vain, kun työkalu on sammutettu ja kytkin on lukittu).
- Porattaessa rautametalleja
  - poraa ensin pienempi esireikä ja jatka sitten isommalla terällä
  - voitele poranterä ajoittain öljyllä
- Kun ruuvi väännetään lähelle puun reunaa, pitää porata esireikä ruuvia varten, jotta estetään puun halkeaminen
- Repimätön poraus puuhun ⑲
- Pölytön poraus seiniiin ⑲
- Pölytön poraus kattoihin ⑲
- Poraus laattoihin luiskahtamatta ⑲
- Lisätietoja on osoitteessa [www.skil.com](http://www.skil.com)


## HOITO/HUOLTO

- Tätä työkalua ei ole tarkoitettu ammattikäyttöön
- Pidä työkalu aina puhtaana (erityisesti tuuletusaukot F②)
- ! irrota akku työkalusta ennen puhdistamista**
- Jos työkalu ei huolellisesta valmistuksesta ja koestusmenettelystä huolimatta toimi asianmukaisella tavalla, tulee laitteen korjaus antaa SKIL-huoltokeskuksen tehtäväksi
- toimita työkalu ostositiien kanssa ja osiin purkamatta jälleenmyyjälle tai lähimpään SKIL-huoltoilikeeseen (osoitteet ja työkalun huoltokaavio löytyvät

web-sivustolta [www.skil.com](http://www.skil.com))

- Ota huomioon, että takuu ei kata työkalun ylikuormituksesta tai väärästä käsittelystä johtuvia vahinkoja (katso SKIL-takuuehdot osoitteesta [www.skil.com](http://www.skil.com) tai kysy jälleenmyyjältä)

## YMPÄRISTÖNSUOJELU

- Älä hävitä sähkötyökaluja, akkuja, paristoja, tarvikkeita tai pakkausta tavallisen kotitalousjätteen mukana (koskee vain EU-maita)
  - vanhoja sähkö- ja elektroniikkalaitteita koskevan eurooppalaisen direktiivin 2012/19/EY ja sen maakohtaisten sovellusten mukaisesti käytetyt sähkötyökalut on toimitettava ongelmajätteen keräyspisteeseen ja ohjattava ympäristöystävälliseen kierrätykseen
  - symboli  muistuttaa tästä, kun käytöstä poisto tulee ajankohtaiseksi
- ! **poistaessasi akun käytöstä peitä plus- ja miinusnapa sähköteipillä oikosulun estämiseksi**

## MELU/TÄRINÄ

- Mitattuna standardin EN62841 mukaan tämän työkalun äänenpainetaso on 93.4 dB (A) ja äänitehota 104.4 dB (A) (epävarmuus K = 3 dB) ja tärinä\* (kolmeakselisen vektorin summa; epävarmuus K = 1.5 m/s<sup>2</sup>)
  - \* betoniin vasaralla porattaessa 16.2 m/s<sup>2</sup>
  - \* talttauksessa 12.8 m/s<sup>2</sup>
- Tärinäsaiteilytaso on mitattu standardin EN 62841 mukaisen standarditestin mukaisesti; sitä voidaan käyttää verrattaessa yhtä laitetta toiseen sekä alustavana tärinälle altistumisen arviona käytettäessä laitetta manituissa käyttötarkoituksiinsa
  - työkalun käyttö eri käyttötarkoituksiin tai erilaisten tai huonosti huollettujen lisävarusteiden kanssa voi **nostaa** merkittävästi altistumistasoa
  - työkalun ollessa sammuksissa tai kun se on käynnissä, mutta sillä ei tehdä työtä, altistumistaso voi **alentua** merkittävästi
- ! **suojaudu tärinän vaikutuksilta huoltamalla työkalua ja sen lisävarusteet, pitämällä kädet lämpiminä ja organisoimalla työmenetelmät**

E

## Martillo perforador inalámbrico sin escobillas

3851

## INTRODUCCIÓN

- Esta herramienta está prevista para taladrar con percusión en hormigón, ladrillo y piedra, así como para taladrar en madera, metal, cerámica y plástico; las herramientas con control electrónico de la velocidad y de giro a derecha e izquierda también son aptas para atornillar y roscar
- El sistema del martillo en esta herramienta supera los trabajos realizados en hormigón más que cualquier taladro percutor tradicional
- Esta herramienta se ha concebido especialmente para

ser usada en combinación con todos los accesorios estándar SDS+

- Esta herramienta no está concebida para uso profesional
- Si falta alguna pieza o está dañada, póngase en contacto con su distribuidor.
- **Lea atentamente este manual de instrucciones antes de utilizarlo y guárdelo para consultarlo en el futuro**
- **Preste mucha atención a las instrucciones y advertencias de seguridad; en caso contrario pueden producirse lesiones graves**


## DATOS TÉCNICOS ①

## ELEMENTOS DE LA HERRAMIENTA ②

- A Selector de dirección de rotación (adelante/bloqueo central/atrás)
- B Interruptor para encendido/apagado y control de velocidad
- C Interruptor para seleccionar el modo de operación
- D Casquillo de bloqueo
- E Luz LED
- F Ranuras de ventilación
- G Botón del indicador del nivel de batería
- H Tope de profundidad
- J Empuñadura auxiliar

## SEGURIDAD

### MEDIDAS DE SEGURIDAD GENERALES PARA HERRAMIENTAS ELÉCTRICAS

 **ADVERTENCIA** Lea todas las advertencias de seguridad, instrucciones, ilustraciones y especificaciones incluidas con esta herramienta eléctrica. Si no se cumplen todas las instrucciones que se enumeran a continuación, pueden producirse descargas eléctricas, incendios o lesiones graves.

**Conserve todas las instrucciones y advertencias para poder consultarlas en el futuro.**

El término «herramientas eléctricas» que aparece en las advertencias se refiere tanto a las herramientas que funcionan conectadas a la red eléctrica (con cable) como a las que funcionan con batería (inalámbricas).

### 1) SEGURIDAD EN LA ZONA DE TRABAJO

- a) **Mantenga la zona de trabajo limpia y bien iluminada.** Las áreas de trabajo desordenadas y oscuras favorecen los accidentes.
  - b) **No ponga en funcionamiento las herramientas eléctricas en entornos explosivos como, por ejemplo, donde haya líquidos inflamables, gases o polvo.** Las herramientas eléctricas generan chispas que podrían actuar como detonante de vapores y partículas de polvo inflamables.
  - c) **Mantenga a los niños y las demás personas alejados cuando esté utilizando una herramienta eléctrica.** Las distracciones podrían hacerle perder el control de la herramienta.
- ### 2) SEGURIDAD ELÉCTRICA
- a) **El enchufe de la herramienta eléctrica debe**

corresponder con la toma de corriente. **No modifique nunca el enchufe de ningún modo. Nunca utilice enchufes adaptadores o ladrones de corriente con herramientas eléctricas equipadas con conexión a tierra.** Si no se modifican los enchufes y estos corresponden con las tomas de corriente, se reducirán enormemente los riesgos de electrocución.

- b) **Evite cualquier contacto corporal con superficies conectadas a tierra, como tuberías, radiadores, hornillos eléctricos y frigoríficos.** Existe un mayor riesgo de descarga eléctrica si su cuerpo tiene conexión a tierra.
- c) **No exponga las herramientas eléctricas a la lluvia o a la humedad.** Si penetra agua en una herramienta eléctrica, aumentará el riesgo de descarga eléctrica.
- d) **No maltrate el cable. Nunca utilice el cable para transportar, arrastrar o desenchufar la herramienta eléctrica. Mantenga el cable alejado del calor, el aceite, los bordes afilados o las piezas móviles.** Los cables dañados o enredados aumentan el riesgo de descarga eléctrica.
- e) **Cuando use una herramienta eléctrica al aire libre, utilice un cable alargador adecuado para uso en exteriores.** Si se usa un cable adecuado para exteriores, se reducirá el riesgo de descarga eléctrica.
- f) **Utilice un interruptor diferencial (RCD) si debe utilizar la herramienta eléctrica en un lugar húmedo.** La utilización de un interruptor de protección diferencial reducirá el riesgo de electrocución.

### 3) SEGURIDAD PERSONAL

- a) **Manténgase alerta, preste atención a lo que está haciendo y aplique el sentido común durante el uso de una herramienta eléctrica. No use una herramienta eléctrica cuando esté cansado o bajo la influencia de drogas, alcohol o medicación.** Cuando se están usando herramientas eléctricas, cualquier falta de atención, aunque sea por un instante, puede provocar lesiones graves.
- b) **Utilice equipo de protección personal. Utilice siempre protección ocular.** El equipo de protección, como máscaras antipolvo, calzado de seguridad antideslizante, casco protector o protección auditiva, cuando se utiliza adecuadamente, reduce las lesiones personales.
- c) **Evite la puesta en marcha accidental de la herramienta. Asegúrese de que el interruptor de encendido se encuentra en la posición de apagado antes de enchufar la herramienta a la red eléctrica y/o de acoplar la batería, así como al agarrar o transportar la herramienta.** Si lleva una herramienta eléctrica con el dedo puesto sobre el interruptor, o si enchufa una herramienta eléctrica con el interruptor encendido, pueden producirse accidentes.
- d) **Retire cualquier llave de ajuste o llave inglesa de la herramienta antes de encenderla.** Una llave inglesa o una llave de ajuste enganchada a una parte giratoria de la herramienta puede producir lesiones.
- e) **No se estire demasiado para alcanzar lugares de difícil acceso. Mantenga una posición firme y equilibrada en todo momento.** De este modo podrá controlar mejor la herramienta eléctrica en situaciones inesperadas.
- f) **Utilice ropa adecuada. No lleve puesta ropa holgada**

**ni joyas. Mantenga el pelo, la ropa y los guantes alejados de las piezas móviles.** La ropa holgada, así como las joyas o el pelo, largo podrían engancharse en las partes móviles de la herramienta.

- g) **Si se incluyen dispositivos de conexión a extractores y colectores de polvo, asegúrese de conectarlos y utilizarlos adecuadamente.** El uso de un colector de polvo puede reducir los riesgos asociados con el polvo.
- h) **El hecho de haberse familiarizado con la herramienta por el uso frecuente no debe hacer que se descuide e ignore los principios de seguridad.** Una distracción puede provocar lesiones graves en una fracción de segundo.

### 4) UTILIZACIÓN Y CUIDADO DE LAS HERRAMIENTAS ELÉCTRICAS

- a) **No juegue la herramienta eléctrica. Utilice la herramienta eléctrica adecuada para la tarea que vaya a realizar.** La herramienta correcta funcionará mejor y con más seguridad a la velocidad para la que ha sido diseñada.
  - b) **No use la herramienta si el interruptor no funciona para encenderla y apagarla.** Toda herramienta que no se puede controlar con el interruptor es peligrosa y debe repararse.
  - c) **Desconecte el enchufe de la toma de corriente o retire la batería de la herramienta antes de realizar algún ajuste, cambiar de accesorios o guardarla.** Estas medidas de seguridad reducen el riesgo de que la herramienta se ponga en marcha por accidente.
  - d) **Guarde las herramientas eléctricas apagadas fuera del alcance de niños y no deje que las usen personas que no estén familiarizadas con estas instrucciones o con las herramientas.** Las herramientas eléctricas son peligrosas si las usan personas sin experiencia.
  - e) **Cuide las herramientas eléctricas y sus accesorios. Compruebe si hay elementos móviles desalineados o trabados, piezas rotas u otra circunstancia que pueda afectar al funcionamiento de la herramienta. Si la herramienta eléctrica está dañada, llévela a reparar antes de usarla.** Muchos accidentes se deben a un mantenimiento deficiente de las herramientas eléctricas.
  - f) **Mantenga las herramientas de corte afiladas y limpias.** Las herramientas de corte bien afiladas tienen menos probabilidades de atascarse y son más fáciles de controlar.
  - g) **Use la herramienta eléctrica, los accesorios, las brocas, etc., siguiendo las instrucciones y teniendo en cuenta las condiciones de trabajo y la tarea a realizar.** El uso de las herramientas eléctricas para fines diferentes a los previstos puede dar lugar a situaciones de peligro.
  - h) **Mantenga las asas y las superficies de agarre secas, limpias y libres de aceite y grasa.** Si las asas y las superficies de agarre están resbaladizas no se puede manejar la herramienta de forma segura ni mantener el control en las situaciones inesperadas.
- ### 5) UTILIZACIÓN Y MANTENIMIENTO DE HERRAMIENTAS A BATERÍA
- a) **Recargue únicamente con el cargador especificado por el fabricante.** Un cargador que es adecuado para

un tipo de batería podría ocasionar un incendio si se utiliza con una batería distinta.

- b) **Utilice herramientas eléctricas solamente con las baterías diseñadas específicamente para ellas.** El uso de cualquier otro tipo de batería puede provocar riesgo de lesiones e incendio.
- c) **Cuando no se esté utilizando la batería, manténgala apartada de objetos metálicos como clips para papeles, monedas, llaves, clavos, tornillos, o cualquier otro objeto metálico pequeño que pudiera provocar un cortocircuito en sus terminales de corriente.** Si se provoca el cortocircuito en los terminales de la batería, podrían producirse quemaduras o incendios.
- d) **En condiciones de uso intensivo, es posible que se produzca una fuga de líquido de la batería; evite el contacto. Enjuague con agua si se produce un contacto accidental. Si el líquido entra en contacto con los ojos, solicite también atención médica.** El líquido que emana de la batería puede provocar irritaciones o quemaduras.
- e) **No utilice una batería o una herramienta que haya sido modificada o que esté dañada.** Las baterías dañadas o modificadas pueden tener un comportamiento impredecible y provocar un incendio, explosión o riesgo de lesiones.
- f) **No exponga la batería ni la herramienta al fuego ni a una temperatura excesiva.** La exposición al fuego o a una temperatura superior a 130°C podría provocar una explosión.
- g) **Siga todas las instrucciones de carga y no cargue la batería ni la herramienta fuera del rango de temperatura especificado en las instrucciones.** Una carga incorrecta o a temperaturas fuera del rango especificado puede dañar la batería y aumentar el riesgo de incendio.
- 6) **SERVICIO TÉCNICO**
- a) **Las reparaciones de las herramientas eléctricas debe realizarlas un técnico cualificado, utilizando solo piezas de recambio idénticas.** De este modo, podrá garantizarse la seguridad de uso de la herramienta eléctrica.
- b) **No repare nunca baterías que estén dañadas.** Las baterías solo debe repararlas el fabricante o un centro de servicio técnico autorizado.

#### **INSTRUCCIONES DE SEGURIDAD PARA EL MARTILLO PERFORADOR INALÁMBRICO**

- **Utilizar protección auditiva.** La exposición al ruido puede causar pérdida de audición
- **Utilice la(s) empuñadura(s) auxiliar(es) si se incluyen con la herramienta.** La pérdida de control puede causar lesiones personales.
- **Sujete la herramienta eléctrica por las superficies de agarre aisladas al realizar trabajos en los que el accesorio de corte pueda entrar en contacto con conductores eléctricos ocultos** (el contacto del accesorio de corte con conductores bajo tensión puede hacer que las partes metálicas de la herramienta eléctrica pasen a estar en tensión y provoquen una descarga eléctrica al usuario)

#### **INSTRUCCIONES DE SEGURIDAD CUANDO SE UTILIZAN BROCAS LARGAS CON MARTILLOS PERFORADORES**

- **Comience siempre taladrando a una velocidad baja y con la punta de la broca en contacto con la pieza de trabajo.** A velocidades más altas, es probable que la broca se tuerza si se deja girar con libertad sin hacer contacto con la pieza de trabajo, pudiendo causar alguna lesión.
- **Ejerza presión solo en línea directa con la broca y nunca aplique una presión excesiva.** Las brocas pueden torcerse y ocasionar lesiones debido a una rotura o una pérdida de control.

#### **GENERAL**

- **No trabaje materiales que contengan amianto** (el amianto se considera cancerígeno)
- Esta herramienta no deben utilizarla personas menores de 16 años
- El polvo de materiales como pintura que contenga plomo, algunas especies de madera, minerales y metal podrían ser dañinos (el contacto o inhalación del polvo podría producir reacciones alérgicas y trastornos respiratorios al usuario o a otras personas que se encontrasen en la zona); **utilice una máscara contra el polvo y trabaje con un dispositivo de extracción de polvo cuando se pueda conectar**
- Ciertos tipos de polvo están catalogados como cancerígenos (por ejemplo, el polvo de roble y de haya) especialmente junto con aditivos para el acondicionamiento de la madera; **utilice una máscara contra el polvo y trabaje con un dispositivo de extracción de polvo cuando se pueda conectar**
- Siga la normativa nacional en cuanto a extracción de polvo, en función de los materiales que vayan a ser utilizados

#### **ANTES DEL USO**

- Evite los daños que puedan causar los tornillos, clavos y otros objetos sobre la pieza de trabajo; retírelos antes de empezar a trabajar
- **Asegure la pieza de trabajo** (una pieza de trabajo fijada con unos dispositivos de sujeción o en un tornillo de banco, se mantiene sujeta de forma mucho más segura que con la mano)
- **Utilice aparatos de detección adecuados para localizar posibles conductores o tuberías ocultas, o consulte a su compañía abastecedora** (el contacto con conductores eléctricos puede provocar una descarga eléctrica e incluso un incendio; al dañar una tubería de gas puede producirse una explosión; la perforación de una tubería de agua puede causar daños materiales o una descarga eléctrica)
- Cerciorarse de que el selector de la dirección de rotación B 2 está en la posición central (posición de bloqueo) antes de realizar ajustes en la herramienta o un cambio de accesorios así como para el transporte o para guardar la herramienta
- Tenga cuidado con las fuerzas resultantes del bloqueo (sobre todo al taladrar metales); **utilice siempre la empuñadura auxiliar J** y adopte una posición segura

#### **ACCESORIOS**

- SKIL únicamente puede garantizar un funcionamiento correcto de la herramienta al emplear accesorios originales
- Utilice únicamente accesorios cuyo límite de

revoluciones permitido sea como mínimo igual a las revoluciones en vacío máximas de la herramienta

## DESPUÉS DEL USO

- Ponga atención al guardar su herramienta de que el motor esté apagado y las partes móviles se hayan detenido por completo

## PILAS

- **La batería se entrega parcialmente cargada** (para poder aprovechar toda la capacidad de la batería, cárguela por completo en el cargador antes de utilizar la herramienta eléctrica por primera vez).
- **Utilice únicamente los siguientes cargadores y baterías con esta herramienta**
  - Batería SKIL: BR1\*31\*\*\*\*
  - Cargador SKIL: CR1\*31\*\*\*\*
- Nunca utilice la batería si está deteriorada; debe sustituirse inmediatamente
- No desarme la batería
- No exponga la herramienta/batería a la lluvia
- Temperatura ambiente permitida (herramienta/cargador/ batería):
  - durante la carga 4...40 °C
  - durante el funcionamiento -20...+50 °C
  - durante el almacenamiento -20...+50 °C

## EXPLICACIÓN DE SÍMBOLOS DE HERRAMIENTA/ BATERÍA

- ③ Lea el manual de instrucciones antes de utilizarla
- ④ Las baterías estallarán si se tiran al fuego, por ningún motivo caliente las baterías.
- ⑤ Guarde la herramienta/cargador/batería en un lugar donde la temperatura no exceda los 50 °C
- ⑥ No deseche las herramientas eléctricas y las pilas junto con los residuos domésticos

## USO

- Recarga de la batería
  - ! **Lea las instrucciones y la advertencias de seguridad incluidas con el cargador.**
- Desmontaje/instalación de la batería ②
- Indicador del nivel de carga de la batería ⑦
  - Pulse el botón indicador del nivel de carga de la batería G para ver el nivel actual de carga ⑦a
  - ! **Cuando empiece a parpadear el nivel inferior del indicador de la batería después de pulsar el botón G ⑦b, significa que la batería está descargada.**
  - ! **Cuando empiecen a parpadear 2 niveles del indicador de la batería después de pulsar el botón G ⑦c, significa que la batería no está dentro del rango de temperatura de funcionamiento permitido.**
- Protección de la batería
  - La herramienta se apaga inmediatamente, o se impide su encendido, cuando
    - **la carga es demasiado alta** -> retire la carga y vuelva a ponerla en marcha
    - **la temperatura de la batería no se encuentra dentro del rango admisible de temperaturas de funcionamiento entre -20 °C y +50 °C** --> los 2 niveles del indicador de la batería empiezan a parpadear cuando se pulsa el botón G ⑦c; espere hasta que la batería vuelva a estar dentro del rango admisible de temperaturas de funcionamiento
    - **la batería está casi descargada (como protección**

**contra una descarga intensa**) --> el indicador del nivel de la batería señala un nivel bajo de carga o un nivel bajo de carga intermitente ⑦b cuando se pulsa el botón G; cargue la batería

! **No siga pulsando el interruptor de encendido/apagado después de que se apague automáticamente la herramienta; se puede dañar la batería.**

- Inversión de la dirección de giro ⑧
  - Si el inversor de giro no está adecuadamente colocado en la posición izquierda/derecha, el interruptor B2 no podrá ser activado

! **invierta la dirección de giro sólo cuando la herramienta esté completamente parada**

- Instalación y extracción de brocas ⑨a & ⑨b

! **Limpie y lubrique ligeramente el accesorio SDS+ antes de insertarlo**

- inserte el accesorio en el portabrocas SDS+ mientras lo gira y lo empuja hasta que encaje; el accesorio se bloquea en su posición automáticamente
- tirar del accesorio para cerciorarse de que esté bloqueado
- Retire el accesorio tirando hacia atrás del casquillo de bloqueo D

! **el accesorio SDS+ deberá poder moverse libremente, lo que al funcionar en vacío resulta en una desviación de la marcha circular; sin embargo, al taladrar, el accesorio se centra automáticamente sin afectar a la exactitud de taladrado**

! **no utilice puntas que tengan el vástago deteriorado**

- Interruptor combinado de encendido/apagado ⑩ y control de velocidad ⑪
  - controle la velocidad de manera continua acelerando de cero hasta la velocidad máxima, apretando el interruptor B
- Selección del modo de funcionamiento ⑫
  - Gire el interruptor C al modo de funcionamiento que desee, hasta que quede bloqueado
    - 1 = taladrado sin percusión/atornillado
    - 2 = taladrado con percusión
    - 3 = cincelado con cincel giratorio
    - 4 = cincelado con cincel fijo
  - ! **Seleccione el modo de funcionamiento solo cuando la herramienta esté apagada y la batería esté extraída**
    - el mecanismo del martillo se pone en marcha si usted empuja suavemente la herramienta cuando está taladrando
    - el mecanismo del martillo tarda poco tiempo en alcanzar una potencia total de impacto
    - se pueden alcanzar los mejores resultados al taladrar de martillo en hormigón empujando suavemente la herramienta; el rendimiento al taladrar no se aumentará empujando más fuerte su herramienta
- Cincelado con cincel fijo ⑬
  - ! **Apague la herramienta y extraiga la batería**
    - seleccione el modo de cincelado "giratorio"
    - coloque el cincel en la posición deseada
    - seleccione el modo de cincelado "fijo"
- Luz LED ⑭
  - La luz LED E se enciende automáticamente al activar

el interruptor B

**! Cuando la luz de trabajo LED empieza a parpadear, se activa la protección de la batería (ver arriba)**

- Sujeción y manejo de la herramienta 15
- ! Durante el trabajo, sujete siempre la herramienta por la(s) zona(s) de agarre de color gris**
- **Utilice siempre la empuñadura auxiliar J** (se puede ajustar como se muestra en la imagen) 16
- Mantenga las ranuras de ventilación F(2) descubiertas
- no ejerza demasiada presión en la herramienta; deje que la herramienta haga su trabajo
- Regulación de la profundidad de perforación 17

## CONSEJOS DE APLICACIÓN

- Utilice puntas adecuadas 18
- ! ! Utilice únicamente brocas afiladas**
- Para taladrar en madera, metal y plástico con brocas sin sistema SDS, utilice un adaptador (no incluido de serie) 19
- ! Limpie y lubrique ligeramente el accesorio SDS+ antes de insertarlo**
- Tire hacia atrás del casquillo de bloqueo D e introduzca el adaptador en el portabrocas SDS+ mientras lo gira y lo empuja hasta que encaje; el adaptador se bloquea automáticamente en su posición
- tirar del adaptador para cerciorarse de que esté bloqueado
- Ponga el interruptor C en la posición de taladro normal (actívelo únicamente cuando la herramienta esté apagada y el interruptor bloqueado)
- Al taladrar metales ferrosos
- pretaladre antes un agujero pequeño
- lubrique de cuando en cuando la broca con aceite
- Taladrar de antemano un agujero para poder atornillar en/cerca o al lado de la madera para prevenir la rotura de ésta
- Taladrar sin astillas en madera 20
- Taladrar sin polvo en paredes 21
- Taladrar sin polvo en techos 22
- Taladrar baldosas sin resbalar 23
- Si desea más información, visite [www.skil.com](http://www.skil.com)

## MANTENIMIENTO/SERVICIO TÉCNICO

- Esta herramienta no está concebida para uso profesional
- Mantenga siempre limpia la herramienta (sobre todo las ranuras de ventilación F(2))
- ! Quite la batería de la herramienta antes de la limpieza.**
- Si a pesar de los esmerados procesos de fabricación y control, la herramienta llegase a averiarse, la reparación deberá encargarse a un servicio técnico autorizado para herramientas eléctricas SKIL
- Envíe la herramienta sin desmontar junto con una prueba de su compra a su distribuidor o al centro de servicio técnico más cercano de SKIL (las direcciones y el diagrama de despiece de la herramienta están en [www.skil.com](http://www.skil.com)).
- Tenga en cuenta que los daños debido a sobrecarga o a un manejo inadecuado del producto estarán excluidos de la garantía (consulte las condiciones de garantía de SKIL en [www.skil.com](http://www.skil.com) o consulte a su distribuidor).

## MEDIO AMBIENTE

- **No deseche las herramientas eléctricas, las baterías, los accesorios y los embalajes junto con los residuos domésticos** (solo para países de la UE)
- de conformidad con la Directiva Europea 2012/19/CE sobre residuos de aparatos eléctricos y electrónicos y su aplicación de acuerdo con la legislación nacional, las herramientas eléctricas cuya vida útil haya llegado a su fin se deberán recoger por separado y trasladar a una planta de reciclaje que cumpla con las exigencias ecológicas
- El símbolo 6 llamará su atención cuando sea necesaria la eliminación.
- ! Antes de eliminarla, proteja los terminales de la batería con cinta aislante para evitar un cortocircuito.**

## RUIDOS / VIBRACIONES

- Realizando mediciones según EN62841, el nivel de presión acústica de esta herramienta es 93.4 dB(A) y el nivel de potencia acústica es de 104.4 dB(A) (incertidumbre K = 3 dB), y la vibración es \* (suma vectorial triaxial; incertidumbre K = 16.2 m/s<sup>2</sup>)
- \* al taladrar con percusión en hormigón xxx m/s<sup>2</sup>
- \* al cincelar 12.8 m/s<sup>2</sup>
- El nivel de emisión de vibraciones ha sido medido según una prueba estándar proporcionada en la norma EN62841; puede utilizarse para comparar una herramienta con otra y como valoración preliminar de la exposición a las vibraciones al utilizar la herramienta con las aplicaciones mencionadas
- al utilizarla para distintas aplicaciones o con accesorios diferentes o con un mantenimiento deficiente, podría **augmentar** de forma considerable el nivel de exposición.
- en las ocasiones en que se apaga la herramienta o cuando está funcionando pero no está realizando ningún trabajo, se podría **reducir** considerablemente el nivel de exposición.
- ! Protéjase contra los efectos de la vibración realizando el mantenimiento de la herramienta y sus accesorios, manteniendo sus manos calientes y organizando sus patrones de trabajo.**

P

## Martelo rotativo sem escovas e sem fios

3851

### INTRODUÇÃO

- Esta ferramenta foi criada para perfurar pneumáticamente betão, tijolos e pedra, bem como para perfurar madeira, metal, cerâmica e plástico. Ferramentas com controlo eletrónico da velocidade e rotação para a esquerda/direita também são adequadas para aparafusar e cortar em linha.
- O sistema de martelo nesta ferramenta é muito superior a qualquer berbequim tradicional quando perfurar betão.
- Esta ferramenta foi criada para ser usada juntamente com acessórios padrão SDS+.
- Esta ferramenta não foi criada para utilização profissional.

- Se houver peças em falta ou danificadas, contacte o seu revendedor.
- **Leia este manual de instruções com atenção antes da utilização, e guarde-o para futuras referências** ③.
- **Preste especial atenção às instruções de segurança e avisos. Se não os seguir, pode sofrer ferimentos sérios.**

## CARACTERÍSTICAS TÉCNICAS ①

### ELEMENTOS DA FERRAMENTA ②

- A** Seletor da direção de rotação (avançar/ bloqueado no centro/retroceder)
- B** Interruptor para ligar/desligar e controlo da velocidade
- C** Interruptor para selecionar o modo de funcionamento
- D** Manga de fixação
- E** Luz LED
- F** Ranhuras de ventilação
- G** Botão do indicador do nível da bateria
- H** Manómetro de profundidade
- J** Pega auxiliar

## SEGURANÇA

### AVISOS DE SEGURANÇA GERAIS DA FERRAMENTA ELÉTRICA

**⚠ AVISO** Leia todos os avisos de segurança, instruções, ilustrações e especificações fornecidas com esta ferramenta elétrica. Não seguir todas as instruções apresentadas abaixo pode resultar em choque elétrico, incêndio e/ou ferimentos graves.

**Guarde todos os avisos e instruções para futuras referências.**

O termo “ferramenta elétrica” nos avisos diz respeito à sua ferramenta alimentada pela rede (com fio) ou com bateria (sem fio).

#### 1) SEGURANÇA NA ÁREA DE TRABALHO

- a) Mantenha a área de trabalho limpa e bem iluminada.** Áreas desarrumadas ou escuras são propícias a acidentes.
- b) Não ligue ferramentas elétricas em atmosferas explosivas, tal como na presença de líquidos inflamáveis, gases ou pó.** As ferramentas elétricas geram faíscas que podem provocar a ignição dos fumos ou pó.
- c) Mantenha as crianças e pessoas que passem afastadas enquanto trabalhar com uma ferramenta elétrica.** As distrações podem fazer com que perca o controlo.

#### 2) SEGURANÇA ELÉTRICA

- a) As fichas da ferramenta elétrica têm de corresponder à tomada. Nunca modifique uma ficha de forma alguma. Não utilize qualquer adaptador com ferramentas elétricas com ligação à terra.** Fichas não modificadas e tomadas correspondentes reduzirão o risco de choque elétrico.
- b) Evite o contacto corporal com superfícies com ligação à terra, tais como tubos, radiadores, faixas**

**e frigoríficos.** Existe um risco acrescido de choque elétrico se o seu corpo estiver ligado à terra.

- c) Não exponha as ferramentas elétricas à chuva ou a condições húmidas.** A entrada da água na ferramenta elétrica aumentará o risco de choque elétrico.
- d) Não force o fio da alimentação. Nunca utilize o fio para transportar, puxar ou desligar a ferramenta elétrica. Mantenha o fio afastado do calor, óleo, arestas afiadas ou peças móveis.** Fios danificados ou presos aumentam o risco de choque elétrico.
- e) Quando estiver a trabalhar com uma ferramenta elétrica ao ar livre, utilize uma extensão adequada para a utilização no exterior.** A utilização de um fio adequado ao exterior reduz o risco de choque elétrico.
- f) Se for inevitável trabalhar com uma ferramenta elétrica num local húmido, use uma alimentação protegida por um dispositivo de corrente residual (DCR).** A utilização de um DCR reduz o risco de choque elétrico.

#### 3) SEGURANÇA PESSOAL

- a) Mantenha-se alerta, observe o que está a fazer e use senso comum quando estiver a trabalhar com uma ferramenta elétrica. Não use uma ferramenta elétrica enquanto estiver cansado ou sob o efeito de drogas, álcool ou medicação.** Um momento de falta de atenção enquanto trabalha com ferramentas elétricas pode resultar em ferimentos graves.
- b) Use equipamento pessoal de proteção. Use sempre proteção ocular.** O equipamento de segurança, tal como máscara respiratória, calçado de segurança antiderrapante, capacete de segurança, ou proteção auditiva, utilizado nas condições adequadas reduzirá a hipótese de ferimentos.
- c) Evite ligações sem intenção. Certifique-se de que o interruptor se encontra na posição de desligado antes de ligar a fonte de energia e/ou à bateria ao agarrar ou transportar a ferramenta.** Transportar ferramentas elétricas com o seu dedo no interruptor ou fornecer energia a ferramentas elétricas que tenham o interruptor na posição de ligado convida a acidentes.
- d) Retire qualquer chave de ajuste ou chave de fendas antes de ligar a ferramenta elétrica.** Uma chave de porcas ou uma chave deixada ligada a uma peça rotativa da ferramenta elétrica pode provocar ferimentos.
- e) Não se estique. Mantenha sempre a base e o equilíbrio adequados.** Isso proporciona um melhor controlo da ferramenta elétrica em situações inesperadas.
- f) Vista-se adequadamente. Não use roupa larga nem joalharia. Mantenha o seu cabelo e roupa afastados das peças móveis.** Roupa larga, joias ou cabelo comprido podem ser apanhados pelas peças em movimento.
- g) Se forem fornecidos dispositivos para a ligação de extração de pó e facilidades de recolha, certifique-se de que estes estão ligados e de que são devidamente utilizados.** A utilização de dispositivos de extração do pó pode reduzir os perigos relacionados com o pó.
- h) Não permita que a familiarização ganhe com a utilização de ferramentas o torne mais complacente e ignore os princípios de segurança da ferramenta.** Uma ação descuidada pode causar graves ferimentos

numa fração de segundo.

#### 4) UTILIZAÇÃO E CUIDADOS DA FERRAMENTA ELÉTRICA

- a) **Não force a ferramenta elétrica. Utilize a ferramenta elétrica correta para a sua aplicação.** A ferramenta elétrica correta fará o trabalho melhor e de forma mais segura ao ritmo para o qual foi concebida.
  - b) **Não utilize a ferramenta elétrica se o interruptor não a ligar ou desligar.** Qualquer ferramenta que não possa ser controlada com o interruptor é perigosa e deve ser reparada.
  - c) **Desligue a ficha da alimentação e/ou retire a bateria da ferramenta elétrica, se amovível, antes de fazer quaisquer ajustes, mudar de acessórios ou armazenar a ferramenta elétrica.** Estas medidas de segurança preventiva ajudam a reduzir os riscos de ligar inadvertidamente a ferramenta elétrica.
  - d) **Guarde as ferramentas elétricas não utilizadas fora do alcance das crianças e não permita que pessoas não familiarizadas com a ferramenta elétrica ou com estas instruções utilizem a ferramenta elétrica.** As ferramentas elétricas são perigosas nas mãos de utilizadores sem formação.
  - e) **Proceda à manutenção das ferramentas elétricas e acessórios. Verifique desalinhamentos ou bloqueios das peças móveis, peças partidas e quaisquer outras condições que possam afetar o funcionamento da ferramenta elétrica. Se estiver danificada, leve a ferramenta elétrica para ser reparada antes da utilização.** Muitos acidentes são provocados pela fraca manutenção das ferramentas elétricas.
  - f) **Mantenha as ferramentas de corte afiadas e limpas.** Ferramentas de corte devidamente mantidas e com arestas de corte afiadas têm uma menor probabilidade de prender e são mais fáceis de controlar.
  - g) **Use a ferramenta elétrica, acessórios e brocas, etc., de acordo com estas instruções, tendo em conta as condições de trabalho e o trabalho a ser efetuado.** A utilização da ferramenta elétrica para operações diferentes daquelas para que foi criada pode dar origem a uma situação perigosa.
  - h) **Mantenha as pegas e superfícies de segurar secas, limpas e sem óleo ou gordura.** Pegas e superfícies de segurar escorregadias não permitem o manuseamento seguro nem o controlo da ferramenta em situações inesperadas.
- #### 5) UTILIZAÇÃO E CUIDADOS DA FERRAMENTA COM A BATERIA
- a) **Recarregue apenas com o carregador especificado pelo fabricante.** Um carregador que seja adequado a um tipo de bateria pode criar um risco de incêndio quando usado com outra bateria.
  - b) **Use ferramentas elétricas apenas com as baterias especificamente designadas.** A utilização de outras baterias pode criar um risco de ferimentos e incêndio.
  - c) **Quando não usar a bateria, mantenha-a afastada de outros objetos de metal, como cliques de papel, moedas, chaves, pregos, parafusos ou outros pequenos objetos de metal que possam fazer a ligação entre os dois terminais.** Colocar os terminais da bateria em curto-circuito pode dar origem a queimaduras ou fogo.

- d) **Sob condições abusivas, pode ser ejetado líquido da bateria; evite o contacto.** Se ocorrer um contacto accidental, lave com água abundante. Se o líquido entrar em contacto com os olhos, procure ajuda médica. O líquido ejetado da bateria pode provocar irritação ou queimaduras.
  - e) **Não use a bateria nem a ferramenta se estiverem danificadas ou modificadas.** Baterias danificadas ou modificadas podem apresentar comportamentos imprevisíveis, dando origem a fogo, explosão ou risco de lesões.
  - f) **Não exponha a bateria ou a ferramenta ao fogo ou temperatura excessiva.** A exposição ao fogo ou a temperaturas acima dos 130 °C pode causar uma explosão.
  - g) **Siga todas as instruções de carregamento e não carregue a bateria nem a ferramenta a uma temperatura fora dos parâmetros especificados nas instruções.** Carregar incorretamente ou a temperaturas fora dos parâmetros especificados pode danificar a bateria e aumentar o risco de fogo.
- #### 6) REPARAÇÃO
- a) **A reparação da sua ferramenta elétrica deverá ser sempre efetuada por pessoas qualificadas, utilizando apenas peças sobresselentes idênticas.** Isso garante que a segurança da ferramenta elétrica é mantida.
  - b) **Nunca tente reparar uma bateria danificada.** A reparação das baterias só deverá ser efetuada pelo fabricante ou por um reparador autorizado.

#### INSTRUÇÕES DE SEGURANÇA DO MARTELO SEM FIOS

- **Use proteções auditivas.** A exposição ao ruído pode causar a perda de audição.
- **Use pegas auxiliares, se fornecidas com a ferramenta.** A perda de controlo pode causar ferimentos.
- **Segure a ferramenta elétrica pelas superfícies isoladas quando efetuar qualquer operação em que o acessório de corte possa entrar em contacto com cablagem oculta ou com o seu próprio fio.** Se a ferramenta entrar em contacto com um fio ligado à alimentação, as peças de metal expostas à eletricidade podem dar origem a um choque elétrico.

#### INSTRUÇÕES DE SEGURANÇA QUANDO USAR BROCAS COMPRIDAS COM MARTELOS ROTATIVOS

- **Comece sempre a perfurar a baixa velocidade e com a ponta da broca em contacto com a peça a ser trabalhada.** Com velocidades mais elevadas, a broca pode dobrar, caso seja permitido que rode livremente sem contactar com a peça a ser trabalhada, dando origem a ferimentos pessoais.
- **Faça pressão apenas em linha reta com a broca, e não faça pressão excessiva.** As brocas podem dobrar, podendo quebrar ou dando origem a uma perda de controlo, resultando em ferimentos.

#### GERAL

- **Não trabalhe em materiais que contenham amianto** (o amianto é considerado cancerígeno).
- Esta ferramenta não deverá ser utilizada por pessoas



com menos de 16 anos.

- As poeiras de materiais como tintas com chumbo, determinadas espécies de madeiras, minerais e metais podem ser prejudiciais (o contacto ou a inalação dessa poeira pode causar reações alérgicas e/ou doenças respiratórias no operador ou assistentes); **utilize uma máscara antipoeira e trabalhe com um dispositivo de extração de poeiras quando for possível ligar.**
- Determinados tipos de poeiras estão classificados como cancerígenos (como poeira de faia e carvalho) especialmente junto com aditivos para tratamento de madeiras; **utilize uma máscara antipoeira e trabalhe com um dispositivo de extração de poeiras quando for possível ligar.**
- Siga as normas nacionais referentes a poeiras para os materiais com que pretende trabalhar.

#### ANTES DA UTILIZAÇÃO

- Evite danos que possam ser causados por parafusos, pregos e outros elementos na sua peça a ser trabalhada. Retire-os antes de começar o trabalho.
- **Fixe a peça a ser trabalhada** (uma peça a ser trabalhada fixada num torno ou dispositivo de fixação está mais segura do que sendo segurada à mão).
- **Use detetores adequados para encontrar estas linhas na área de trabalho, ou contacte a empresa local da respetiva utilidade para obter ajuda.** O contacto com linhas elétricas pode dar origem a fogo ou choque elétrico; danificar uma tubagem do gás pode dar origem a explosão; penetrar um tubo da água pode causar danos patrimoniais ou choque elétrico.
- Certifique-se de que o seletor de direção da rotação B 2 está na posição central (fixada) antes de efetuar quaisquer ajustes ou substituir os acessórios, bem como quando transportar ou guardar a ferramenta.
- Tenha cuidado com as forças que ocorrem devido a uma obstrução (especialmente quando perfurar metais). **Use sempre a pega auxiliar J** e mantenha um equilíbrio constante.

#### ACESSÓRIOS

- A SKIL apenas pode assegurar um funcionamento sem defeitos da ferramenta quando utilizados acessórios originais.
- Utilize apenas acessórios com uma velocidade admissível que corresponda, pelo menos, à velocidade mais elevada sem carga da ferramenta.

#### DEPOIS DE UTILIZAR

- Quando pousar a ferramenta, desligue o motor e certifique-se de que todas as peças móveis estão completamente paradas

#### BATERIAS

- **A bateria fornecida vem parcialmente carregada.** Para garantir a capacidade completa da bateria, carregue por completo a bateria no carregador antes de usar a sua ferramenta elétrica pela primeira vez.
- **Use apenas as seguintes baterias e carregadores com esta ferramenta**
  - Bateria SKIL: BR1\*31\*\*\*\*
  - Carregador SKIL: CR1\*31\*\*\*\*
- Não use a bateria danificada. Esta deverá ser substituída imediatamente.
- Não desmonte a bateria.
- Não exponha a ferramenta/bateria à chuva.
- Temperatura ambiente permitida (ferramenta/carregador/bateria):
  - A carregar: 4 - 40 °C

- Durante o funcionamento: -20 - 50 °C
- Durante o armazenamento: -20 - 50 °C

#### EXPLICAÇÃO DOS SÍMBOLOS NA FERRAMENTA/ BATERIA

- ③ Leia o manual de instruções antes da utilização.
- ④ As baterias podem explodir quando atiradas para o fogo, por isso, nunca queime uma bateria.
- ⑤ Guarde a ferramenta/carregador/bateria num local onde a temperatura não exceda os 50 °C.
- ⑥ Não elimine ferramentas elétricas juntamente com o lixo doméstico comum.

#### UTILIZAÇÃO

- Carregar a bateria
  - ! **Leia os avisos de segurança e as instruções fornecidas com o carregador.**
- Remover/Instalar a bateria ②
- Indicador do nível da bateria ⑦
  - Prima o botão do indicador do nível da bateria G para ver o atual nível da bateria ⑦a.
  - ! **Quando o nível mais baixo do indicador da bateria começar a piscar após premir o botão G ⑦b, a bateria está descarregada**
  - ! **Quando 2 níveis do indicador da bateria começarem a piscar após premir o botão G ⑦c, a bateria não se encontra dentro da temperatura de funcionamento permitida**
- Proteção da bateria
  - A ferramenta desliga-se de repente ou é impossível ligá-la quando
    - **a carga é muito grande** -> retire a carga e reinicie.
    - **A temperatura da bateria não se encontra dentro do raio da temperatura de funcionamento permitida de -20 a +50 °C** -> 2 níveis do indicador do nível da bateria começam a piscar quando prime o botão G ⑦c; espere que a bateria volte ao raio da temperatura de funcionamento permitida.
    - **a bateria está quase gasta (para proteger contra grandes descargas)** -> é apresentado um baixo nível da bateria ou a piscar ⑦b no indicador do nível da bateria quando prime o botão G; carregue a bateria.
    - ! **Não continue a premir o interruptor de ligar/desligar após a ferramenta se desligar automaticamente. A bateria pode ficar danificada.**
- Alterar a direção de rotação ⑧
  - Quando não estiver devidamente colocado na posição esquerda/direita, o interruptor B ② não pode ser ativado.
  - ! **Altere a direção de rotação apenas quando a ferramenta parar por completo.**
- Instalar e retirar brocas ⑨a e ⑨b
  - ! **Limpe e lubrifique ligeiramente o acessório SDS+ antes da inserção.**
  - Insira o acessório no mandril SDS+ enquanto roda e pressiona até ficar encaixado. O acessório fica automaticamente encaixado na respetiva posição.
  - Puxe o acessório para se certificar de que ficou devidamente fixado.
  - Retire o acessório puxando a manga de fixação D para trás.
  - ! **O acessório SDS+ requer liberdade de movimentos que causa excentricidade quando a ferramenta não estiver sob carga. No entanto,**

**o acessório centra-se automaticamente durante o funcionamento, sem afetar a precisão de perfuração.**

**! Não use cabeças de aperto com o eixo danificado.**

- Interruptor combinado para ligar/desligar ⑩ e controle da velocidade ⑪
  - Controle a velocidade uniformemente do zero ao máximo fazendo mais ou menos pressão no interruptor B.
- Selecionar o modo de funcionamento ⑫
  - Rode o interruptor C para o modo de funcionamento desejado até que fique encaixado.  
1 = perfuração normal/aparafusar  
2 = perfurar com impacto  
3 = cinzelar com o cinzel rotativo  
4 = cinzelar com o cinzel fixo

**! Selecione o modo de funcionamento quando a ferramenta estiver desligada e com a bateria retirada.**

- O mecanismo de martelo é ativado aplicando uma ligeira pressão na ferramenta quando a broca estiver em contacto com a peça a ser trabalhada.
- Leva um curto espaço de tempo para que o mecanismo do martelo atinja a potência máxima de impacto.
- Os melhores resultados da perfuração com impacto só podem ser obtidos com uma ligeira pressão na ferramenta. O desempenho da perfuração não melhora se fizer mais pressão na ferramenta.
- Cinzelar com o cinzel fixo ⑬
  - ! Desligue a ferramenta e retire a bateria.**
    - Selecione o modo de cinzelar "rotativo".
    - Coloque o cinzel na posição desejada.
    - Selecione o modo de cinzelar "fixo".

- Luz LED ⑭
  - A luz LED E liga-se automaticamente quando ativar o interruptor B.

**! Quando a luz de trabalho LED começar a piscar, a proteção da bateria é ativada (consulte acima).**

- Segurar e orientar a ferramenta ⑮
  - ! Durante o trabalho, segure sempre a ferramenta pelas áreas cinzentas.**
    - Use sempre a pega auxiliar J (pode ser ajustada conforme ilustrado). ⑯
    - Mantenha as ranhuras de ventilação F ② desobstruídas.
    - Não aplique demasiada pressão na ferramenta. Deixe a ferramenta trabalhar por si.
- Ajustar a profundidade de perfuração ⑰

## CONSELHOS DE APLICAÇÃO

- Use brocas adequadas. ⑱
  - ! Use apenas brocas afiadas.**
- Para perfurar com brocas que não sejam SDS em madeira, metal e plástico, use um adaptador (não está incluído). ⑲
  - ! Limpe e lubrifique ligeiramente o acessório SDS+ antes da inserção.**
    - Puxe a manga de fixação D para trás e insira o adaptador no mandril SDS+ enquanto roda e pressiona até ficar encaixado. O adaptador fica automaticamente encaixado na respetiva posição.
    - Puxe o adaptador para se certificar de que ficou

devidamente fixado.

- Coloque o interruptor C em perfuração normal (é apenas ativado quando a ferramenta estiver desligada e o interruptor fixado).
- Quando perfurar metais ferrosos.
  - Faça um orifício mais pequeno com antecedência, quando tiver de perfurar um orifício grande.
  - Lubrifique ocasionalmente a broca com óleo.
- Quando enroscar um parafuso perto de uma extremidade transversal ou na extremidade de madeira, faça previamente um orifício para evitar lascas a madeira.
- Perfurar madeira sem lascas ⑳
- Perfurar paredes sem pó ㉑
- Perfurar tetos sem pó ㉒
- Perfurar azulejos sem deslizar ㉓
- Para mais informações, consulte [www.skil.com](http://www.skil.com).

## MANUTENÇÃO / REPARAÇÃO

- Esta ferramenta não foi criada para utilização profissional.
- Mantenha sempre a ferramenta limpa (especialmente as ranhuras de ventilação F ②).
  - ! Retire a bateria da ferramenta antes de proceder à limpeza.**
- Se a ferramenta falhar apesar dos cuidados de fabrico e procedimentos de teste, a reparação deverá ser efetuada por um centro de reparação pós-venda autorizado para ferramentas elétricas SKIL.
  - Envie a ferramenta desmontada, juntamente com a prova de compra, para o seu representante ou ponto de reparação SKIL mais próximo (os endereços e também os esquemas de reparação estão listados em [www.skil.com](http://www.skil.com)).
- Tenha em conta que danos devido a sobrecarga ou manuseamento inadequado da ferramenta não são abrangidos pela garantia (para saber as condições da garantia SKIL, consulte [www.skil.com](http://www.skil.com) ou informe-se com o seu revendedor).

## AMBIENTE

- **Não elimine ferramentas elétricas, baterias, acessórios e embalagens juntamente com o lixo doméstico comum** (apenas para países da UE).
  - Em conformidade com a Diretiva Europeia 2012/19/CE relativa aos resíduos de equipamento elétrico e eletrónico e respetiva implementação em conformidade com as leis nacionais, ferramentas elétricas que tenham atingido o final do seu ciclo de vida devem ser recolhidas separadamente e entregues em instalações de reciclagem ambientalmente compatíveis.
  - O símbolo ⑥ serve para lembrar isto quando for necessária a eliminação.
- ! Antes da eliminação, proteja os terminais da bateria com fita resistente, para evitar um curto-circuito.**

## RUÍDO/VIBRAÇÃO

- Medido de acordo com a EN62841. O nível de pressão do som desta ferramenta é de 93.4 dB(A), e o nível de potência do som é de 104.4 dB(A) (incerteza K = 3 dB), e a vibração\* (soma vetorial das 3 direções; incerteza K = 1.5 m/s²)

\* Quando perfurar com impacto betão 16.2 m/s<sup>2</sup>

\* Quando cinzelar 12.8 m/s<sup>2</sup>

- O nível de emissão da vibração foi medido de acordo com um teste padronizado da norma EN 62841. Pode ser usado para comparar duas ferramentas e como avaliação preliminar da exposição à vibração quando usar a ferramenta para as aplicações mencionadas.
    - Usar a ferramenta para diferentes aplicações, ou com acessórios diferentes ou mal mantidos, pode **umentar** significativamente o nível de exposição.
    - As vezes que a ferramenta é desligada ou quando estiver a funcionar, mas sem estar a efetuar o trabalho, pode **reduzir** significativamente o nível de exposição.
- ! Proteja-se dos efeitos das vibrações realizando a manutenção da ferramenta e dos seus acessórios, mantendo as mãos quentes e organizando os seus padrões de trabalho.**

I

## Martello perforatore cordless brushless

3851

### INTRODUZIONE

- Questo utensile è destinato alla trapanatura a percussione di cemento, mattone e pietra e per la trapanatura semplice di ceramica e plastica. Gli utensili dotati di controllo elettronico della velocità e selettore della direzione sono destinati anche all'avvitatura e al taglio di cavi.
- Il sistema a percussione di questo utensile supera le prestazioni di trapanatura a cricchetto nel cemento.
- Questo utensile è progettato per l'uso con tutti gli accessori SDS+ standard.
- Questo utensile non è destinato all'uso professionale.
- In caso di parti mancanti o danneggiate, contattare il rivenditore.
- **Leggere attentamente il manuale di istruzioni prima dell'uso e conservarlo per riferimento futuro.** ③
- **Prestare particolare attenzione alle avvertenze e istruzioni di sicurezza. Il mancato rispetto comporta il rischio di lesioni gravi.**

### SPECIFICHE TECNICHE ①

#### COMPONENTI DELL'UTENSILE ②

- A Selettore della direzione (avanti/bloccaggio/indietro)
- B Interruttore di avvio/arresto con controllo di velocità variabile
- C Selettore della modalità operativa
- D Ghiera di bloccaggio
- E Luce LED
- F Aperture di ventilazione
- G Pulsante dell'indicatore del livello della batteria
- H Calibro di profondità
- J Impugnatura ausiliaria

### SICUREZZA

#### AVVERTENZE DI SICUREZZA COMUNI A TUTTI GLI UTENSILI ELETTRICI

**⚠ AVVERTENZA!** Consultare tutte le avvertenze di sicurezza, le istruzioni, le illustrazioni e le specifiche fornite insieme a questo utensile elettrico. Il mancato rispetto delle istruzioni sotto riportate comporta il rischio di scossa elettrica, incendio e/o gravi infortuni.

#### Conservare tutte le avvertenze e le istruzioni per futuro riferimento.

Il termine "utensile elettrico" utilizzato nelle avvertenze indica un utensile elettrico alimentato tramite rete elettrica (con cavo) o batterie (senza cavo).

#### 1) SICUREZZA DELL'AREA DI LAVORO

- a) **Mantenere l'area di lavoro pulita e ben illuminata.** Il disordine e la scarsa illuminazione favoriscono gli incidenti.
- b) **Non usare gli utensili elettrici in atmosfere esplosive, ad esempio in presenza di liquidi, gas o polveri infiammabili.** Gli utensili elettrici creano scintille che possono incendiare polveri o fumi.
- c) **Durante l'uso dell'utensile elettrico, tenere a distanza i bambini e le persone presenti.** Le distrazioni possono far perdere il controllo.

#### 2) SICUREZZA ELETTRICA

- a) **Le spine degli utensili elettrici devono essere adatte al tipo di presa. Non modificare la spina in alcun modo. Non usare adattatori con gli utensili elettrici dotati di messa a terra (collegati a massa).** L'uso di spine originali corrispondenti al tipo di presa riduce il rischio di scossa elettrica.
- b) **Evitare il contatto del corpo con superfici collegate a terra come tubi, radiatori, fornelli elettrici e frigoriferi.** Il rischio di scossa elettrica aumenta se il proprio corpo è collegato a terra.
- c) **Non esporre gli utensili elettrici a pioggia o umidità.** L'infiltrazione di acqua all'interno di un utensile elettrico aumenta il rischio di scossa elettrica.
- d) **Non utilizzare il cavo in modo improprio. Non usare il cavo per trasportare, tirare o scollegare l'utensile elettrico dalla presa di corrente. Tenere il cavo al riparo da calore, olio, bordi taglienti o parti in movimento.** La presenza di cavi danneggiati o aggrovigliati aumenta il rischio di scossa elettrica.
- e) **Durante l'uso di un utensile elettrico all'aperto, utilizzare una prolunga idonea per ambienti esterni.** L'uso di un cavo idoneo riduce il rischio di scossa elettrica.
- f) **Se è necessario lavorare in un luogo umido, utilizzare un circuito elettrico dotato di interruttore differenziale (RCD).** L'uso di un interruttore differenziale riduce il rischio di scossa elettrica.

#### 3) SICUREZZA PERSONALE

- a) **Durante l'uso di un utensile elettrico, prestare sempre la massima attenzione e utilizzare il buon senso. Non usare un utensile elettrico se si è stanchi o sotto l'effetto di droghe, alcol o farmaci.** Anche un solo momento di disattenzione durante l'uso dell'utensile elettrico può provocare gravi infortuni.
- b) **Indossare dispositivi di protezione individuale. Indossare dispositivi di protezione per gli occhi.** I dispositivi di protezione individuale come maschere antipolvere, calzature antiscivolo, caschi e cuffie per le

orecchie, se utilizzati quando le circostanze lo richiedono, riducono il rischio di infortuni.

- c) **Prevenire l'avvio accidentale. Assicurarsi che l'interruttore sia in posizione di arresto prima di sollevare, trasportare o collegare l'utensile elettrico alla presa di corrente e/o alla batteria.** Per ridurre il rischio di incidenti, non trasportare gli utensili elettrici tenendo le dita sull'interruttore e non collegarli alla fonte di alimentazione se l'interruttore è in posizione di avvio.
  - d) **Rimuovere eventuali chiavi di regolazione o avvitaemento prima di avviare l'utensile elettrico.** Una chiave di serraggio rimasta inserita in un elemento mobile dell'utensile elettrico può provocare infortuni.
  - e) **Non allungarsi eccessivamente. Mantenere sempre un buon equilibrio evitando posizioni instabili.** Ciò assicura un miglior controllo dell'utensile elettrico in situazioni impreviste.
  - f) **Vestirsi in modo adeguato. Non indossare indumenti ampi o gioielli. Tenere capelli e indumenti lontani dalle parti in movimento.** Indumenti ampi, gioielli o capelli lunghi possono rimanere impigliati nelle parti in movimento.
  - g) **Se sono disponibili dei dispositivi per l'estrazione e la raccolta della polvere, assicurarsi che siano collegati e utilizzati correttamente.** L'uso di tali dispositivi può ridurre i rischi derivanti dalla polvere.
  - h) **Non lasciare che la familiarità con l'utensile (derivata da un uso frequente) abbassi il livello di attenzione.** Anche una minima distrazione può causare gravi infortuni.
- 4) USO E MANUTENZIONE DELL'UTENSILE ELETTRICO**
- a) **Non forzare l'utensile elettrico. Utilizzare l'utensile più adatto al lavoro da svolgere.** Un utensile elettrico corretto è più sicuro ed efficace al regime per cui è stato progettato.
  - b) **Non usare l'utensile elettrico se l'interruttore non funziona correttamente.** Un utensile elettrico che non può essere controllato dall'interruttore è pericoloso e deve essere riparato.
  - c) **Rimuovere il gruppo batteria, se removibile, e/o scollegare l'utensile elettrico dalla rete elettrica prima di regolarlo, riporlo o sostituire gli accessori** Tali misure preventive riducono il rischio di avvio accidentale dell'utensile elettrico.
  - d) **Riporre gli utensili elettrici fuori dalla portata dei bambini e non permetterne l'uso a persone che non hanno familiarità con l'utensile o con queste istruzioni.** Gli utensili elettrici sono pericolosi se utilizzati da persone non competenti.
  - e) **Mantenere gli utensili elettrici e gli accessori in buono stato. Verificare che le parti mobili non siano disallineate o inceppate, che i componenti non siano danneggiati e che non siano presenti altri problemi che potrebbero pregiudicare il corretto funzionamento dell'utensile elettrico. Se l'utensile elettrico è danneggiato, farlo riparare prima di utilizzarlo nuovamente.** Molti incidenti sono provocati da utensili elettrici in cattive condizioni.
  - f) **Mantenere gli accessori di taglio puliti e affilati.** Un'adeguata manutenzione e affilatura degli accessori da taglio riduce il rischio di inceppamento e facilita il controllo dell'utensile elettrico.

- g) **Usare l'utensile elettrico, gli accessori, le punte ecc. conformemente a queste istruzioni, tenendo conto delle condizioni dell'area di lavoro e del tipo di lavoro da svolgere.** L'uso dell'utensile elettrico per operazioni diverse da quelle per cui è progettato può comportare situazioni di pericolo.
  - h) **Mantenere le impugnature e le superfici di presa asciutte, pulite e prive di olio o grasso.** Impugnature e superfici di presa scivolose non garantiscono l'uso sicuro e il controllo dell'utensile in situazioni impreviste.
- 5) USO E MANUTENZIONE DEGLI UTENSILI A BATTERIA**
- a) **Ricaricare la batteria esclusivamente con il caricabatteria specificato dal costruttore.** Un caricabatteria adatto a un certo tipo di gruppo batteria comporta il rischio di incendio se utilizzato con gruppi batteria di tipo diverso.
  - b) **Usare gli utensili esclusivamente con i gruppi batteria specificamente progettati.** L'uso di altri gruppi batteria comporta il rischio di incendio e infortunio.
  - c) **Quando il gruppo batteria non è in uso, tenerlo lontano da piccoli oggetti metallici, ad esempio graffette, monete, chiavi, chiodi, viti ecc. poiché potrebbero creare un collegamento tra i due terminali.** Il cortocircuito dei terminali della batteria comporta il rischio di incendio o ustioni.
  - d) **L'utilizzo improprio può causare fuoriuscite di liquido dalla batteria: evitare il contatto con tale liquido. In caso di contatto accidentale, lavare con acqua. Se il liquido entra a contatto con gli occhi, consultare un medico.** Il liquido fuoriuscito dalla batteria può causare irritazioni o ustioni.
  - e) **Non usare gruppi batteria o utensili danneggiati o modificati.** Le batterie danneggiate o modificate possono manifestare comportamenti imprevisti, con il rischio di incendio, esplosione o infortunio.
  - f) **Non esporre il gruppo batteria o l'utensile a fiamme o temperature eccessive.** L'esposizione a fiamme o temperature superiori a 130°C comporta il rischio di esplosione.
  - g) **Rispettare tutte le istruzioni relative alla ricarica e non ricaricare il gruppo batteria o l'utensile a temperature diverse da quelle specificate nelle istruzioni.** Una ricarica eseguita in modo improprio o a temperature diverse da quelle specificate può danneggiare la batteria e aumentare il rischio di incendio.
- 6) RIPARAZIONI**
- a) **Affidare la riparazione dell'utensile a personale qualificato e utilizzare esclusivamente parti di ricambio identiche.** Ciò garantisce la sicurezza dell'utensile elettrico.
  - b) **Non riparare gruppi batteria danneggiati.** La riparazione dei gruppi batteria deve essere effettuata esclusivamente dal costruttore o da un centro di assistenza autorizzato.

#### **AVVERTENZE DI SICUREZZA SPECIFICHE PER MARTELLI PERFORATORI CORDLESS**

- **Indossare protezioni per le orecchie.** L'esposizione al rumore può provocare danni all'udito.
- **Usare le impugnature ausiliarie, se in dotazione.** La perdita di controllo dell'utensile può provocare gravi

infortuni.

- **Tenere l'utensile elettrico esclusivamente tramite le impugnature isolanti durante le operazioni in cui l'accessorio di taglio può entrare a contatto con cavi elettrici nascosti.** Se l'accessorio di taglio tocca un cavo elettrificato può trasmettere la corrente alle parti metalliche dell'utensile, esponendo l'operatore al rischio di scossa elettrica.

#### AVVERTENZE DI SICUREZZA PER L'USO DI PUNTE LUNGHE CON MARTELLI PERFORATORI

- **Iniziare la foratura a bassa velocità, e con l'estremità della punta a contatto con il materiale.** A velocità superiori, la punta può incepparsi quando ruota liberamente senza entrare a contatto con il materiale, comportando il rischio di lesioni gravi.
- **Applicare pressione esclusivamente in linea retta, in linea con la punta, e non applicare una pressione eccessiva.** Le punte possono piegarsi, comportando il rischio di rottura, perdita di controllo e lesioni personali.

#### AVVERTENZE GENERALI

- **Non lavorare materiali contenenti amianto.** L'amianto è considerato una sostanza cancerogena.
- Questo utensile non deve essere usato da persone di età inferiore a 16 anni.
- Polveri derivanti da materiali come rivestimenti a base di piombo, alcuni tipi di legno, metallo e minerali possono essere tossiche. Toccare o respirare tali polveri può causare, all'utente o alle persone presenti, reazioni allergiche e/o infiammazioni alle vie respiratorie.  
**Indossare una maschera antipolvere e usare sistemi di estrazione della polvere, se disponibili.**
- Alcuni tipi di polveri, ad esempio quelle di quercia e faggio, sono considerate cancerogene, in particolare se il legno è stato trattato (con cromo o preservanti per legno).  
**Indossare una maschera antipolvere e usare sistemi di estrazione della polvere, se disponibili.**
- Rispettare le normative nazionali rilevanti in merito ai materiali con cui si desidera lavorare.

#### PRIMA DELL'USO

- Rimuovere eventuali viti, chiodi e altri elementi presenti nel pezzo in lavorazione per evitare che causino danni.
- **Fissare il pezzo in lavorazione** (un pezzo fissato con appositi dispositivi o una morsa è bloccato più saldamente).
- **Rilevare l'eventuale presenza di cavi elettrici o tubature nascosti nell'area di lavoro con appositi rilevatori o contattando le relative società responsabili.** Il contatto con cavi elettrici comporta il rischio di incendio e scossa elettrica; il danneggiamento di tubi del gas comporta il rischio di esplosione; la rottura di un tubo dell'acqua comporta il rischio di danni materiali o scossa elettrica.
- Assicurarsi che il selettore della direzione B 2 sia in posizione di bloccaggio (centrale) prima di eseguire qualsiasi regolazione, sostituire gli accessori e trasportare o riporre l'utensile.
- Prestare attenzione alle forze risultanti da un inceppamento (in particolare durante la foratura nel metallo). **Usare sempre l'impugnatura ausiliaria J** e mantenere una posizione del corpo stabile.

#### ACCESSORI

- SKIL assicura il corretto funzionamento dell'utensile se sono utilizzati accessori originali.

- Utilizzare esclusivamente accessori la cui velocità consentita è almeno equivalente alla velocità a vuoto massima dell'apparecchio.

#### DOPO L'USO

- Prima di appoggiare l'utensile, arrestarlo e assicurarsi che tutte le parti mobili siano completamente ferme.

#### BATTERIE

- **La batteria inclusa è parzialmente carica.** Per garantire la piena capacità della batteria, ricaricarla completamente con il caricabatteria prima di usare l'utensile per la prima volta.
- **Utilizzare esclusivamente le batterie e i caricabatteria elencati di seguito con questo utensile.**
  - Batteria SKIL: BR1\*31\*\*\*\*
  - Caricabatteria SKIL: CR1\*31\*\*\*\*
- Non utilizzare la batteria se è danneggiata. Sostituirla immediatamente.
- Non disassemblare la batteria.
- Non esporre l'utensile o la batteria alla pioggia.
- Temperature ambientali (utensile/caricabatteria/batteria):
  - Durante la ricarica: da 4°C a 40°C
  - Durante l'uso: da -20°C a +50°C
  - Durante la conservazione: da -20°C a +50°C

#### SIGNIFICATO DEI SIMBOLI SULL'UTENSILE E SULLA BATTERIA

- ③ Leggere il manuale di istruzioni prima dell'uso.
- ④ Le batterie possono esplodere se gettate nel fuoco. Pertanto, non bruciarle per alcun motivo.
- ⑤ Riporre l'utensile, il caricabatteria e la batteria in ambienti la cui temperatura non supera i 50°C.
- ⑥ Non smaltire l'utensile e le batterie insieme ai rifiuti domestici.

#### UTILIZZO

- Ricarica della batteria  
**! Leggere le istruzioni e le avvertenze di sicurezza fornite insieme al caricabatteria.**
- Rimozione/inserimento della batteria ②
- Indicatore del livello della batteria ⑦
  - Premere il pulsante dell'indicatore del livello della batteria G per visualizzare il livello di carica corrente della batteria ⑦a.  
**! Quando l'ultima barra dell'indicatore del livello della batteria inizia a lampeggiare dopo aver premuto il pulsante G⑦b, la batteria è scarica.**  
**! Quando 2 barre dell'indicatore del livello della batteria iniziano a lampeggiare dopo aver premuto il pulsante G7c, la temperatura della batteria è fuori dai valori che ne consentono il funzionamento.**
- Protezione della batteria  
L'utensile si arresta automaticamente, o non si avvia, nei seguenti casi:
  - **Il carico è eccessivo.** --> Rimuovere il carico e riavviare l'utensile.
  - **La temperatura della batteria è inferiore a -20°C o superiore a +50°C.** --> 2 barre dell'indicatore del livello della batteria iniziano a lampeggiare dopo aver premuto il pulsante G⑦c. Attendere che la batteria raggiunga la temperatura di funzionamento corretta.
  - **La batteria è quasi scarica (protezione contro lo scaricamento profondo).** --> Il livello di carica della

batteria è indicato da una barra lampeggiante ⑦b dopo aver premuto il pulsante G. Ricaricare la batteria.

**! Non premere l'interruttore di avvio/arresto dopo l'arresto automatico dell'utensile per evitare di danneggiare la batteria.**

- Selezione della direzione di rotazione ⑧
    - Se il selettore della direzione non è posizionato a destra o a sinistra, l'interruttore B ② non può essere attivato.
  - **! Modificare la direzione di rotazione esclusivamente quando l'utensile è completamente fermo.**
  - Installazione e rimozione delle punte ⑨a e ⑨b
    - **! Pulire e lubrificare leggermente l'accessorio SDS+ prima di inserirlo.**
    - Inserire l'accessorio nel mandrino SDS+ ruotandolo e spingendolo; l'accessorio si blocca automaticamente in posizione.
    - Tirare l'accessorio per assicurarsi che sia bloccato saldamente.
    - Per rimuovere l'accessorio, tirare all'indietro la ghiera di bloccaggio D.
  - **! Gli accessori SDS+ richiedono una certa libertà di movimento, che causa eccentricità quando l'utensile è senza carico. Tuttavia, l'accessorio si centerà automaticamente durante l'uso senza influire sulla precisione della foratura.**
  - **! Non usare punte con codolo danneggiato.**
  - Interruttore di avvio/arresto ⑩ con controllo di velocità variabile ⑪
    - Variare la pressione sull'interruttore B per regolare la velocità fino al livello massimo.
  - Selezione della modalità operativa ⑫
    - Ruotare il selettore della modalità C finché non si blocca in corrispondenza della modalità desiderata.
      - 1 = Trapanatura semplice/avvitatura
      - 2 = Trapanatura a percussione
      - 3 = Scalpellatura con scalpello rotante
      - 4 = Scalpellatura con scalpello fisso
    - **! Selezionare la modalità operativa esclusivamente quando l'utensile è fermo e la batteria è stata rimossa.**
    - Il meccanismo a percussione si attiva applicando una leggera pressione sull'utensile quando la punta è a contatto con il materiale.
    - Il meccanismo a percussione impiega un breve periodo per raggiungere la piena potenza di impatto.
    - Per ottenere i migliori risultati in modalità di trapanatura a percussione, applicare una leggera pressione sull'utensile; le prestazioni di trapanatura non aumentano con una maggiore pressione.
  - Scalpellatura con scalpello fisso ⑬
    - **! Arrestare l'utensile e rimuovere il gruppo batteria.**
    - Selezionare la modalità di scalpellatura con scalpello rotante.
    - Posizionare lo scalpello nella posizione desiderata.
    - Selezionare la modalità di scalpellatura con scalpello fisso.
  - Luce LED ⑭
    - La luce LED E si accende automaticamente alla pressione dell'interruttore B.
- ! Quando la luce LED inizia a lampeggiare, la funzione di protezione della batteria si è attivata**

**(come descritto in precedenza).**

- Manipolazione e controllo dell'utensile ⑮
  - **! Durante l'uso, tenere l'utensile afferrando le aree evidenziate in grigio.**
  - Usare sempre l'impugnatura ausiliaria J (che può essere regolata come illustrato). ⑯
  - Non coprire le aperture di ventilazione F ②.
  - Non applicare una pressione eccessiva sull'utensile; lasciare che l'utensile svolga il lavoro senza forzarlo.
- Regolazione della profondità di trapanatura ⑰


## SUGGERIMENTI PER L'USO

- Utilizzare punte appropriate ⑱.
  - **! Utilizzare esclusivamente punte affilate.**
- Per forare legno, metallo e plastica con punte non SDS, usare un adattatore (non incluso nella versione standard). ⑲
  - **! Pulire e lubrificare leggermente l'accessorio SDS+ prima di inserirlo.**
  - Tirare all'indietro la ghiera di bloccaggio D e inserire l'adattatore nel mandrino SDS+ ruotandolo e spingendolo; l'adattatore si blocca automaticamente in posizione.
  - Tirare l'adattatore per assicurarsi che sia bloccato saldamente.
  - Portare il selettore della modalità C in posizione di trapanatura semplice (selezione la modalità esclusivamente quando l'utensile è fermo e l'interruttore è bloccato).
- Per la foratura di metalli ferrosi
  - Se è necessario praticare un foro grande, iniziare con un foro pilota di dimensioni inferiori.
  - Lubrificare occasionalmente la punta con olio.
- Durante l'inserimento di una vite in prossimità del bordo di un pannello in legno, praticare un foro pilota per evitare la spaccatura del legno.
- Procedura per evitare la spaccatura del legno ⑳
- Procedura per raccogliere la polvere durante la foratura di pareti ㉑
- Procedura per raccogliere la polvere durante la foratura di soffitti ㉒
- Procedura per evitare lo scivolamento sulle piastrelle ㉓
- Per ulteriori informazioni, visitare il sito web [www.skil.com](http://www.skil.com)

## MANUTENZIONE E RIPARAZIONE

- Questo utensile non è destinato all'uso professionale.
- Mantenere l'utensile sempre pulito (in particolare le aperture di ventilazione F ②).
  - **! Rimuovere la batteria dall'utensile prima di pulirlo.**
- Se l'utensile presenta malfunzionamenti nonostante l'attenzione durante la fabbricazione e il collaudo, deve essere riparato da un centro di assistenza autorizzato SKIL.
  - Portare l'utensile senza disassemblarlo insieme a una prova di acquisto presso il rivenditore o a un centro di assistenza SKIL (gli indirizzi e la vista esplosa dell'utensile sono riportati sul sito web [www.skil.com](http://www.skil.com)).
- Nota: i danni causati dal sovraccarico o da un utilizzo improprio dell'utensile non sono coperti dalla garanzia (le condizioni della garanzia SKIL sono consultabili sul sito web [www.skil.com](http://www.skil.com) o presso il rivenditore).

## PROTEZIONE AMBIENTALE

- **Non smaltire gli utensili, le batterie, gli accessori e i materiali di imballaggio insieme ai rifiuti domestici** (solo per i Paesi UE).
  - Ai sensi della direttiva europea 2012/19/EC sui rifiuti di apparecchiature elettriche ed elettroniche e alla sua implementazione nella legislazione nazionale, gli utensili elettrici devono essere raccolti separatamente e portati presso un'apposita struttura di riciclaggio.
  - Il simbolo  indica tale obbligo.
- ! **Prima dello smaltimento, proteggere i terminali della batteria con del nastro isolante per evitare il rischio di corto circuito.**


## EMISSIONE ACUSTICA E VIBRAZIONI

- I valori di emissioni acustica e delle vibrazioni sono stati misurati conformemente a EN62841. Il livello di pressione sonora dell'utensile è di 93.4 dB(A) e il livello di potenza sonora è di 104.4 dB(A) (incertezza K = 3 dB). Il livello di vibrazioni è  $\star$  (somma vettoriale triassiale; incertezza K = 1.5 m/s<sup>2</sup>).
  - \* Trapanatura a percussione nel cemento: 16.2 m/s<sup>2</sup>
  - \* Scalpellatura: 12.8m/s<sup>2</sup>
- Il valore totale di emissione delle vibrazioni è stato misurato con il metodo valutazione standard prescritto da EN62841 e può essere utilizzato per confrontare l'utensile con altri prodotti analoghi e per una valutazione preliminare dei livelli di esposizione.
  - L'utilizzo dell'utensile per altri scopi, o l'utilizzo di accessori diversi o in cattive condizioni, può **aumentare** significativamente il livello di esposizione.
  - Il periodo in cui l'utensile è spento, o è in funzione ma non in uso, può **ridurre** significativamente il livello di esposizione.
- ! **Per proteggersi dagli effetti delle vibrazioni, mantenere l'utensile e gli accessori in buono stato, tenere le mani calde e pianificare il lavoro.**

H

## Kefe és vezeték nélküli fúrókalapács 3851

### BEVEZETÉS

- A készülék betonban, téglában és kőzetekben végzett kalapácsolásra, valamint fában, fémben, kerámiában és műanyagban végzett fúrásra szolgál; az elektronikus sebességszabályozóval és forgásirány-átkapcsolóval felszerelt készülékek csavarok be- és kihajtására, valamint menetvágásra is alkalmazhatók
- Ezen készülék kalapács rendszere messze felülmúlja a szokásos ütvefűrőgépeket betonfúrásnál
- A gép alkalmas valamennyi SDS+ tartozék használatára
- Ez a szerszám nem professzionális használatra készült
- Hiányzó vagy sérült alkatrészek esetén forduljon a kereskedőhöz
- **A használat előtt gondosan olvassa el ezt a használati útmutatót és tartsa meg, hogy később is használhassa** 
- **Fordítson különös figyelmet a biztonsági utasításokra és figyelmeztetésekre; ezek figyelmen kívül hagyása súlyos sérüléseket eredményezhet**


## MŰSZAKI ADATOK

### A SZERSZÁM RÉSZEI

- A Forgásirány (előre/középső zár/hátra) választó
- B Be/Ki kapcsoló és sebességszabályozó
- C Üzem mód kapcsoló
- D Reteszelő hüvely
- E LED lámpa
- F Szellőzőnyílások
- G Akkumulátor töltöttségi szintjét jelző gomb
- H Mélységbeállító
- J Oldalfogantyú

### BIZTONSÁG

#### AZ ELEKTROMOS SZERSZÁMOKRA VONATKOZÓ ÁLTALÁNOS BIZTONSÁGI FIGYELMEZTETÉSEK

 **FIGYELMEZTETÉS** Olvassa el az elektromos szerszámhoz mellékelt összes biztonsági figyelmeztetést, utasítást, ábrát és specifikációt. Az alább felsorolt utasítások be nem tartása áramütést, tűzveszélyt és/vagy súlyos sérülést idézhet elő.

**Őrizzen meg minden figyelmeztetést és utasítást, hogy később is elő tudja majd venni.**

Az „elektromos kéziszerszám” megnevezés a figyelmeztetésekben egyaránt vonatkozik a hálózati feszültségről működtetett (vezetékes) elektromos kéziszerszámokra, valamint az akkumulátorral működtetett (vezeték nélküli) elektromos kéziszerszámokra.

#### 1) MUNKATERÜLETI BIZTONSÁG

- a) **A munkaterület legyen tiszta és jól megvilágított.** A munkahelyen uralkodó rendetlenségnek vagy a rossz megvilágításnak baleset lehet a következménye.
- b) **Ne használjon elektromos szerszámokat robbanásveszélynek kitett környezetben, például olyan helyen, ahol éghető folyadékok, gázok vagy porok találhatóak.** Az elektromos szerszámok szikrákat képeznek, amelyek meggújthatják a porokat vagy gázokat.
- c) **Tartsa távol a gyermekeket és az illetéktelen személyeket, amikor elektromos szerszámmal dolgozik.** Ha megzavarják, elveszítheti uralmát a készülék felett.

#### 2) ELEKTROMOS BIZTONSÁG

- a) **Az elektromos szerszám hálózati csatlakozódugójának illeszkednie kell az elektromos aljzathoz. Soha és semmiképpen se módosítsa a csatlakozódugót. Ne használjon adapteres csatlakozódugókat a földelt elektromos szerszámokhoz.** Az eredeti csatlakozódugó és megfelelő hálózati aljzat alkalmazásával megelőzi az áramütés veszélyét.
- b) **Ne érjen földelt felületekhez, ilyenek pl. a csövek, fűtőtestek, tűzhelyek vagy hűtőszekrények.** Az áramütés kockázata nagyobb, ha a teste le van földelve.
- c) **Ne tegye ki az elektromos szerszámot esőnek vagy nedves környezetnek.** Az elektromos szerszámba bekerülő víz megnöveli az áramütés kockázatát.

- d) Ne használja a kábelt helytelen módon. Soha ne használja a kábelt az elektromos szerszám hordozására, húzására vagy lecsatlakoztatására. Tartsa távol a vezetéket hőtől, olajtól, éles szegélyektől és mozgó alkatrészekről. A sérült vagy összegabalyodott hálózati kábelek megnövelik az áramütés veszélyét.
- e) Az elektromos szerszám szabadtéri üzemeltetéséhez használjon szabadtéren használható hosszabbító kábelt. A szabadtéren használható kábel alkalmazása csökkenti az áramütés kockázatát.
- f) Ha elkerülhetetlen az elektromos szerszám használata nedves helyen, használjon földzárlat-megszakítóval (FI-relé) ellátott tápellátást. A FI-relé használata csökkenti az áramütés veszélyét.
- 3) SZEMÉLYI BIZTONSÁG
- a) Legyen figyelmes, ügyeljen arra, amit csinál, és józan ésszel fogjon a munkához, ha elektromos szerszámot használ. Ne használja az elektromos szerszámot, ha fáradtnak érzi magát, vagy ha kábítószert, alkoholt vagy gyógyszereket hatása alatt áll. Az elektromos szerszám üzemeltetése közben egy pillanatra figyelmen kívül hagyhatja a súlyos személyi sérülést okozhat.
- b) Használjon személyi védőfelszerelést. Mindig viseljen védőszemüveget. A védőfelszerelések, mint például porvédő maszk, csúszásmentes lábbeli, sisak és hallásvédő rendeltetészerű használata révén csökkenti a személyi sérülések veszélyét.
- c) Akadályozza meg a véletlen indítást. Ügyeljen arra, hogy a kapcsoló kikapcsoló állásban legyen, mielőtt az áramforráshoz és/vagy az akkumulátoregységhez csatlakoztatja, felveszi vagy viszi a szerszámot. Balesetekre vezethet, ha a hálózatra csatlakoztatott szerszámot úgy viszi, hogy közben az ujjá a bekapcsoló gombon van, vagy ha a hálózati csatlakozódugót olyankor dugja be az aljzatba, amikor a szerszám be van kapcsolva.
- d) Vegye ki a csavar kulcsot és a beállító szerszámot, mielőtt az elektromos kéziszerszámot bekapcsolná. Az elektromos szerszám mozgó alkatrészén felejtett csavar kulcs vagy eszköz személyi sérülést okozhat.
- e) Ne hajoljon a szerszám fölé. Vegyen fel stabil testhelyzetet, és mindig tartsa meg az egyensúlyát. Ezáltal jobban tudja irányítani az elektromos szerszámot a legváratlanabb helyzetben is.
- f) Viseljen megfelelő ruházatot. Ne viseljen laza ruházatot vagy ékszereket. A haj és a ruházat nem érjen a mozgó részekhez. A laza ruházatot, az ékszert vagy a hosszú hajat becsiphetik a mozgó alkatrészek.
- g) Ha az elektromos szerszámot porfelszívó vagy porlefúgó eszközzel szerelik fel, akkor győződjön meg arról, hogy ezek előírás szerűen vannak csatlakoztatva, és használja őket a rendeltetésüknek megfelelően. Porgyűjtő használata csökkentheti a porral járó veszélyeket.
- h) Ne hagyja, hogy a rendszeres használat során megszerzett tapasztalat miatt túl magabiztosá váljon, és emiatt figyelmen kívül hagyja a biztonsági irányelveket. Egy óvatlan cselekedet a másodperc töredéke alatt súlyos sérülést okozhat.
- 4) AZ ELEKTROMOS SZERSZÁM ÜZEMELTETÉSE ÉS

## GONDOZÁSA

- a) Ne terhelje túl az elektromos kéziszerszámot. A munkájához használja az arra alkalmas elektromos kéziszerszámot. A megfelelő elektromos kéziszerszámmal jobban és biztonságosabban dolgozhat a megadott teljesítményhatárokon belül.
- b) Ne használja az elektromos szerszámot, ha nem lehet a bekapcsoló gomb segítségével be- vagy kikapcsolni. Az olyan elektromos szerszám, amely nem irányítható a kapcsolóval, veszélyes és javításra szorul.
- c) Húzza ki a hálózati csatlakozó dugót az aljzataból és/vagy vegye ki az akkumulátoregységet (ha kivehető) az elektromos szerszámból, mielőtt beállításokat végezne, tartozékot cserélné vagy az elektromos szerszámot elrakná. Az ilyen megelőző biztonsági óvintézkedések csökkentik az elektromos szerszám véletlen beindításának kockázatát.
- d) A használaton kívüli elektromos szerszámokat gyermekektől távol tartsa, és ne engedje meg, hogy olyan személyek használják az elektromos szerszámot, akik nem ismerik azt, vagy nincsenek tisztában ezekkel a biztonsági utasításokkal. Az elektromos szerszámok veszélyt jelentenek a gyakorlatlan felhasználó kezében.
- e) Gondosan tartsa karban az elektromos szerszámot és tartozékait. Ellenőrizze a mozgó részek beállítását és rögzítését, vizsgáljon meg minden részt, nem sérült-e, és ellenőrizze, nem állnak-e fenn olyan körülmények, amelyek befolyásolhatják az elektromos szerszám helyes működését. Használat előtt javíttassa meg a sérült elektromos kéziszerszámot. A rosszul karbantartott elektromos szerszámok sok balesetet okoznak.
- f) A vágószerszámok legyenek mindig élesek és tiszták. A megfelelően karbantartott és kiélezett vágóélekkel rendelkező vágószerszámok kevéssé hajlamosak az elgörbülésre, valamint könnyebben kezelhetők.
- g) Az elektromos kéziszerszámot, tartozékot, vágófelleket, stb. mindig ezen biztonsági utasításoknak megfelelően használja, mindig vegye figyelembe a munkakörülményeket, és legyen tekintettel a megmunkálendő munkadarabra. Az elektromos kéziszerszámoknak az előírt rendeltetési céltól eltérő célra való használatra veszélyes.
- h) Tartsa szárazon, tisztán, olajtól és zsírtól mentesen a fogantyúkat és a tartófelületeket. A csúszós fogantyúk és tartófelületek miatt a szerszám kezelése és vezérése váratlan helyzetekben nem biztonságos.
- 5) AZ AKKUMULÁTORRAL MŰKÖDŐ SZERSZÁM ÜZEMELTETÉSE ÉS GONDOZÁSA
- a) Csak a gyártó által meghatározott töltőt használja. Az olyan töltő, amely egy típusú akkumulátoregységhez alkalmas, tűzveszélyt okozhat, ha más típusú akkumulátoregységhez használja.
- b) Az elektromos szerszámokat csak speciálisan meghatározott akkumulátoregységekkel használja. Bármely más akkumulátoregység használata sérülés- vagy tűzveszélyt okozhat.
- c) Amikor nem használja az akkumulátoregységet, tartsa távol más fémtárgyaktól, például gemkapcsoktól, érméktől, kulcsoktól, szögektől, csavaroktól vagy más kis fémtárgyaktól, amelyek



**kapcsolatba léphetnek vele.** Az akkumulátorok kapcsolainak rövidzárlata égési sérülést vagy tüzet okozhat.

- d) **Nem megfelelő körülmények között folyadék szivároghat az akkumulátorból; ne érjen ehhez. Amennyiben véletlenül hozzárne, mossa le vízzel. Ha ez a folyadék szembe kerül, forduljon orvoshoz.** Az akkumulátorból kiszivárgó folyadék irritációt vagy égési sérülést okozhat.
- e) **Ne használjon sérült vagy módosított akkumulátoregységet vagy szerszámot.** A sérült vagy módosított akkumulátorok előre nem látható módon viselkedhetnek, aminek eredménye tűz, robbanás vagy sérülésveszély lehet.
- f) **Ne tegye ki az akkumulátoregységet tűznek vagy túlzott hőmérsékletnek.** Ha tűznek, vagy 130 °C feletti hőmérsékletnek teszi ki, akkor felrobbanhat.
- g) **Tartsa be a töltési utasításokat, és ne töltse az akkumulátoregységet vagy a szerszámot az utasításokban meghatározott hőmérséklet-tartományon kívül.** A nem megfelelő vagy a meghatározott hőmérséklet-tartományon kívüli töltés károsíthatja az akkumulátort, és növeli a tűzveszélyt.
- 6) **SZERVIZ**
- a) **Az elektromos kéziszerszám szervizelését szakképzett szerelő végezze, csak az eredetivel megegyező cserealkatrészek felhasználásával.** Ezzel biztosítja az elektromos kéziszerszám biztonságának fenntartását.
- b) **Soha ne szervizeljen sérült akkumulátoregységet.** Az akkumulátoregységet csak a gyártó vagy felhatalmazott szerviz szolgáltató szervizelheti.

## **BIZTONSÁGI ELŐÍRÁSOK AKKUMULÁTOROS KALAPÁCSHOZ**

- **Viseljen fülvédőt.** A zajnak való kitétség halláskárosodáshoz vezethet
- **Használja az oldalfogantyú(ka)t, ha tartozik a szerszámhoz.** Ha elveszti uralmát a szerszám felett, az személyi sérülést okozhat
- **Az elektromos kéziszerszámot csak a szigetelt fogantyúfelületeknél fogva tartsa, ha olyan munkát végez, amelynek során a betétszerszám feszültség alatt áll, kívülről nem látható vezetékekhez érhet** (ha a berendezés egy feszültség alatt álló vezetékhez ér, az elektromos kéziszerszám fémrészei szintén feszültség alá kerülhetnek és áramütéshez vezethetnek)

## **BIZTONSÁGI UTASÍTÁSOK HOSSZÚ FÚRÓSZÁRAK FÚRÓKALAPÁCSOKKAL TÖRTÉNŐ HASZNÁLATAKOR**

- **Mindig alacsony sebességen kezdje meg a fúrást, úgy, hogy a fúrószerű munkadarabhoz ér.** Magasabb sebesség mellett a fej hajlamos elgöngbúlni, ha szabadon hagyják forogni a munkadarabhoz történő hozzárérés nélkül, ezzel személyi sérülést okozva.
- **Egyenes vonalban és ne túl nagy erővel gyakoroljon nyomást a fúrószerűre.** A fúrószerűre elgöngbúlnak, ami a fúrószerű töréséhez vagy a szerszám feletti kontroll elvesztéséhez vezethet, ez pedig személyi sérülést okozhat.

## **ÁLTALÁNOS TUDNIVALÓK**

- **Ne munkáljon meg a berendezéssel azbeszttel**

**tartalmazó anyagokat** (az azbeszttel rákkeltő hatású anyagok minőségű)

- A készüléket csak 16 éven felüli személyek használhatják
- Az olyan anyagokból származó por, mint például az ólomot tartalmazó festékek, néhány fafajta, ásványi anyagok és fém, káros lehet (a por megérintése vagy belégzése allergiás reakciókat és/vagy légzőszervi betegségeket okozhat a kezelő, illetve a közelben állók esetében); **viseljen pormaszkot, és amennyiben csatlakoztatható, dolgozzon porszivó berendezéssel**
- Bizonyos porfajták rákkeltő besorolással rendelkeznek (ilyen például a tölgy- és a bükkfa pora), különösen a fa kondicionálására szolgáló adalékokkal együtt; **viseljen pormaszkot és amennyiben csatlakoztatható, dolgozzon porszivó berendezéssel**
- Kövesse a por kezelésével kapcsolatos helyi előírásokat azon termékekkel kapcsolatosan, amellyel dolgozni kíván

## **HASZNÁLAT ELŐTT**

- Ügyeljen arra, hogy a munkadarabban lévő csavar, szög és hasonló elemek ne okozhassanak sérülést; távolítsa el őket a munka megkezdése előtt
- **Rögzítse a munkadarabot** (befogókészülékkel vagy satuval befogott munkadarabot sokkal biztonságosabban lehet rögzíteni mint a kézzel tartottat)
- **A rejtett vezetékek felkutatásához használjon alkalmas fémkereső készüléket, vagy kérje ki a helyi energiaellátó vállalat tanácsát** (ha megérinti az elektromos vezetékeket a berendezéssel, az tűzhöz és áramütéshez vezethet; a gázvezeték megrongálása robbanást eredményezhet; a vízvezetékbe való behatolás pedig anyagi károkhoz és áramütéshez vezethet)
- Győződjön meg róla, hogy forgásirány-választó B 2 középső (rögzített) állásban van, mielőtt beállításokat végez vagy tartozékokat cserél, illetve amikor a gépet szállítja vagy tárolja.
- Soha ne feledkezzen meg arról, hogy a fűró elakadása vagy beszorulása (különösen fémtűrés esetén) mekkora erőhatással jár; **a gépet mindig a J oldalfogantyúnál fogja** és vegyen fel stabil testhelyzetet

## **TARTOZÉKOK**

- SKIL cég kizárólag eredeti alkatrészek és kiegészítők alkalmazása esetén tudja garantálni a gép problémamentes működését
- Csak olyan tartozékokat használjon, amelyek legmagasabb megengedett fordulatszáma legalább akkora, mint a berendezés legmagasabb üresjárati fordulatszáma

## **A HASZNÁLATOT KÖVETŐEN**

- A gépet soha ne hagyja bekapcsolt állapotban, ha már nem dolgozik vele

## **AKKUMULÁTOROK**

- **A mellékelt akkumulátor részlegesen van feltöltve** (az akkumulátor teljes kapacitásának biztosítása érdekében az elektromos szerszám első használata előtt töltse fel teljesen az akkumulátort az akkumulátortöltőben)
- **Csak a következő akkumulátorokkal és töltőkkel használja a szerszámot**
  - SKIL akkumulátor: BR1\*31\*\*\*\*
  - SKIL töltő: CR1\*31\*\*\*\*
- Ne használja az akkumulátort, ha sérült; az akkumulátort haladéktalanul ki kell cserélni
- Ne szerelje szét az akkumulátort
- A szerszámot/akkumulátort óvja az esőtől
- Megengedett környezeti hőmérséklet (szerszám/töltő)

készülék/akkumulátor):

- a töltés során 4...40°C
- a használat során -20...+50°C
- a tárolás során -20...+50°C

## A KÉSZÜLÉKEN/AKKUMULÁTORON TALÁLHATÓ SZIMBÓLUMOK MAGYARÁZATA

- ③ Használat előtt olvassa el a használati utasítást
- ④ Ha az akkumulátorok tűzbe kerülnek, akkor felrobbanhatnak, ezért semmilyen okból ne égesse el az akkumulátorokat
- ⑤ Ne tárolja a szerszámot/töltőt/akkumulátort 50°C feletti helyiségben
- ⑥ Ne dobja ki az elektromos szerszámokat és az akkumulátorokat a háztartási hulladékok közé

## KEZELÉS

- Az akkumulátor töltése
- ! **olvassa el a töltővel kapott biztonsági figyelmeztetéseket és utasításokat**
- Az akkumulátor kivétele/berakása ②
- Akkumulátor töltésszintjelző ⑦
  - nyomja meg az akkumulátor töltöttségi szintjét jelző G gombot az akkumulátor aktuális töltöttségi szintjének ⑦a kijelzéséhez
  - ! **ha a G7b gomb megnyomása után az akkumulátor töltésszintjelző legalacsonyabb szintje villogni kezd, akkor az akkumulátor lemerült**
  - ! **ha a G7c gomb megnyomása után az akkumulátor töltésszintjelző 2. szintje villogni kezd, az akkumulátor nem a megengedett üzemi hőmérséklet tartományon belül van**
- Az akkumulátor védelme  
A szerszám hirtelen kikapcsol vagy nem lehet visszakapcsolni, ha
  - **túl nagy a terhelés** --> vegye le a terhelést és kezdje újra
  - **az akkumulátor hőmérséklete nem a -20 és +50 °C közötti megengedett üzemi hőmérséklet tartományon belül van** --> az akkumulátor töltésszintjelző 2. szintje villogni kezd az G⑦c gomb megnyomásakor; várjon, amíg az akkumulátor ismét a megengedett üzemi hőmérséklet-tartományba kerül
  - **az akkumulátor majdnem üres (a mélykisülés elleni védelem érdekében)** --> az alacsony akkumulátor töltésszint vagy villogó alacsony akkumulátor töltésszint ⑦b az akkumulátor töltésszintjelzőn látható a G gomb megnyomásakor; töltse fel az akkumulátort
  - ! **ha a készülék automatikusan kikapcsolt, ne próbálja nyomogatni a be-/kikapcsoló gombot, mert az akkumulátor károsodhat**
- Forgásirány változtatás ⑧
  - ha nincs megfelelően a bal/jobb pozícióba állítva, akkor a B② kapcsolót nem lehet aktiválni
  - ! **a forgásirány kizárólag a gép teljes leállása után változtatható**
- A ⑨a és ⑨b fűrészsár behelyezése és kivétele
  - ! **az SDS+ tartozékok behelyezése előtt tisztítsa és enyhén zsírozza meg**
  - illesse be a tartozékokat az SDS+ tokmányba, és közben forgassa és nyomja, amíg a helyére nem kerül; a tartozék automatikusan rögzül

- húzza meg a tartozékokat, így ellenőrizze a megfelelő reteszelését
- a D reteszelő hüvely visszahúzása után kivetheti a tartozékokat

! **az SDS+ tartozéknak szabadon kell mozognia, ezáltal amikor a gép üresjáratban van, a tartozék forgás közben kitér, fűrésznál azonban automatikusan középre áll; ez nem befolyásolja a furat pontosságát**

! **soha ne használjon sérült befogóvégű fűrészsárat**

- Kombinált kapcsoló a be/ki⑩ kapcsoláshoz és a sebességszabályozáshoz ⑪
  - a B kapcsolóra gyakorolt nyomás megváltoztatásával a sebesség fokozatmentesen nulláról max. fordulatszámig állítható
- Üzem mód kiválasztása ⑫
  - állítsa a C kapcsolót a kívánt üzemmódba, amíg az a helyére kattán
  - 1 = normál fűrés/csavarhúzás
  - 2 = ütvefűrés
  - 3 = vésés forgó vésővel
  - 4 = vésés rögzített vésővel
- ! **csak akkor válassza ki az üzemmódot, ha a szerszám ki van kapcsolva és kivette az akkumulátor**
- az kalapács mechanizmus akkor lép működésbe, amikor a fűró a munkadarabbal érintkezik, a gépre gyakorolt enyhe nyomás bekapcsolja az kalapács mechanizmust
- az kalapács mechanizmus szüksége van egy rövid időre amíg eléri a teljes ütőerőt
- a legjobb kalapácsfűrészi eredményt akkor érjük el, ha a gépre enyhe nyomást gyakorolunk; az erőteljesebb nyomás nem javítja a fűrészi teljesítményt
- Vésés rögzített vésővel ⑬
  - ! **kapcsolja ki a gépet és vegye ki az akkumulátort**
  - válassza a „forgó” vésési módot
  - helyezze a vésőt a kívánt helyzetbe
  - válassza a „rögzített” vésési módot
- LED lámpa ⑭
  - A LED lámpa automatikusan felkapcsol, ha megnyomja a B kapcsolót
  - ! **ha a LED munkalámpa elkezd villogni, az akkumulátorkímélés aktiválódik (lásd fent)**
- A szerszám vezetése és tartása ⑮
  - ! **munka közben végig a szürke színű markolati terület(ek)nél fogva tartsa a gépet**
  - a gépet mindig a J oldalfogantyúnál fogja (az ábrán látható módon állítható) u ⑮
  - tartsa szabadon az F② szellőzőnyílásokat
  - ne gyakoroljon túl nagy nyomást a gépre; hagyja, hogy a gép dolgozzon ön helyett
- A furatmélység beállítása ⑰

## HASZNÁLAT

- Mindig a megfelelő fűrészsárat használja ⑱
  - ! **csak éles fűrészsárakat használjon**
- A faanyagok, fémek és műanyagok nem SRS fűrészsárakkal végzett fűrészáshoz használjon adaptert (a szabvány készlet nem tartalmazza) ⑲
  - ! **az SDS+ tartozékok behelyezése előtt tisztítsa és enyhén zsírozza meg**
  - húzza vissza a reteszelő hüvelyt és illesse be az

- adapert az SDS+ tokmányba, és közben forgassa és nyomja, amíg a helyére nem kerül; az adapter automatikusan rögzül
- húzza meg az adaptert, így ellenőrizze a megfelelő reteszélést
- állítsa a C kapcsolót normál fúrásra (csak a gép kikapcsolása és a kapcsoló reteszélése után aktiválja)
- Fémekben történő fúrásokról
  - készítsen kis méretű előfuratot
  - kenje időnként olajjal a fúróhegyet
- Csavarok faanyag végébe vagy szálirányába történő behajtása előtt készítsen előfuratot
- Forgácsmentes fúrás fába ⑭
- Pormentes fúrás falba ⑮
- Pormentes fúrás plafonba ⑯
- Burkolólapok fúrása megcsúszás nélkül ⑰
- A további információkért lásd a [www.skil.com](http://www.skil.com) oldalt

## KARBANTARTÁS / SZERVIZ

- Ez a szerszám nem professzionális használatra készült
- Mindig tartsa tisztán a szerszámot (különös tekintettel a F<sup>2</sup> szellőzőnyílásokra)
- ! **tisztítás előtt vegye ki az akkumulátort**
- Ha a szerszám a gondos gyártási és ellenőrzési eljárás ellenére egyszer mégis meghibásodna, akkor a javítással csak SKIL elektromos kéziszerszám-műhely ügyfélszolgálatát szabad megbízni
  - megbontás nélküli állapotban küldje a szerszámot a vásárlást igazoló nyugtával együtt a márkakereskedő vagy a legközelebbi SKIL szervizállomás címére (a címlista és a gép szervizdiagramja a [www.skil.com](http://www.skil.com) oldalon található)
- Vegye figyelembe, hogy a szerszám túlterheléséből vagy helytelen kezeléséből eredő károk nem tartoznak a garancia hatálya alá (a SKIL garanciális feltételeit elolvashatja a [www.skil.com](http://www.skil.com) oldalon, vagy kérdezze meg kereskedőjét)

## KÖRNYEZET

- **Az elektromos szerszámokat, akkumulátorokat, tartozékokat és csomagolást ne tegye a háztartási hulladékok közé** (csak EU-országok számára)
  - az elektromos és elektronikus berendezések hulladékairól szóló 2012/19/EK európai irányelv és annak a nemzeti joggal összhangban történő végrehajtása értelmében az elhasznált elektromos szerszámokat külön kell gyűjteni, és környezetbarát módon újra kell hasznosítani
  - erre emlékeztet a ⑥ jelzés, amelyben felmerül az intézkedésre való igény
- ! **Ártalmatlanítás előtt erős szigetelőszalaggal védje az akkumulátor kapcsait a rövidzárlat elkerülése érdekében**

## ZAJ / REZGÉS

- Az EN62841 szabványnak megfelelően végzett mérés szerint a szerszám hangnyomásszintje 93.4 dB(A), a hangteljesítményszintje 104.4 dB(A) (bizonytalanság K = 3 dB), a rezgés pedig\* (háromtengelyű vektor összege; bizonytalanság K = 1.5 m/s<sup>2</sup>)
  - \*beton útvefúrásakor 16.2 m/s<sup>2</sup>
  - \*véséskor 12.8 m/s<sup>2</sup>

- A rezgés kibocsátási szint mérése az EN62841 szabványosított vizsgálat szerint történt; ez az érték felhasználható egy szerszám és egy másik szerszám összehasonlítására, valamint a rezgésnek való kitettség előzetes értékelésére, amikor a szerszámot az említett alkalmazásokhoz használják
  - a szerszám különböző alkalmazásokhoz való használata, vagy más vagy rosszul karbantartott tartozékokkal történő használata jelentősen **megnövelheti** a kitettség szintjét
  - azok az idők, amikor a szerszám ki van kapcsolva, vagy működik ugyan, de valójában nem végez munkát, jelentős mértékben **csökkenthetik** a kitettség szintjét
- ! **védekezzen a rezgés hatása ellen a szerszám és tartozékai karbantartásával, a kezek melegen tartásával és a munkamódszerek megszervezésével**

CZ

## Bezkontaktní akumulátorové vrtací kladivo

3851

## ÚVOD

- Náradí je určeno k elektropneumatickému vrtání do betonu, zdiva a kamene, jakož i k vrtání do dřeva, kovu, keramiky a umělé hmoty; náradí s elektronickou regulací rychlosti a chodem vpravo/vlevo je také vhodné k šroubování a fezání závítů
- Elektropneumatický vrtací systém u tohoto náradí zdaleka předčí všechny ostatní při vrtání do betonu
- Toto náradí umožňuje používání běžného příslušenství SDS+
- Tento nástroj není určen k profesionálnímu použití
- Pokud některé součásti chybí nebo jsou poškozené, obraťte se na prodejce
- **Před použitím si pečlivě přečtěte tento návod s pokyny a uschovejte si jej pro budoucí potřebu** ③
- **Zvláštní pozornost věnujte bezpečnostním pokynům a výstrahám; při jejich nedodržení se vystavujete nebezpečí vážného úrazu**

## TECHNICKÉ ÚDAJE ①

## SOUČÁSTI NÁSTROJE ②

- A Přepínač předvolby směru (vpřed / středová zajištěná poloha / vzad)
- B Hlavní vypínač a regulace rychlosti
- C Spínač na volbu provozního režimu
- D Zajišťovací objímka
- E LED světlo
- F Větrací šterbiny
- G Tlačítko ukazatele nabití akumulátoru
- H Hloubkový doraz
- J Pomocná rukojeť

## BEZPEČNOST

OBCENÁ BEZPEČNOSTNÍ VAROVÁNÍ PRO PRÁCI S ELEKTRICKÝM NÁŘADÍM

**VAROVÁNÍ** Přečtěte si všechny bezpečnostní výstrahy, pokyny, ilustrace a technické údaje dodané s tímto elektrickým nářadím. Nedodržení všech níže uvedených pokynů může mít za následek úraz elektrickým proudem, požár a/nebo vážný úraz.

**Všechna varování a pokyny uschovejte pro budoucí použití.**

Termín „elektrické nářadí“ ve varováních odkazuje na vaše elektrické nářadí (s kabelem) nebo akumulátorové nářadí (bez kabelu).

### 1) BEZPEČNOST NA PRACOVÍŠTI

- a) Udržujte pracovní prostor v čistotě a dobře osvětlený. Nepořádek nebo neosvětlené pracovní oblasti bývají příčinou úrazů.
  - b) Nepracujte s elektrickým nářadím ve výbušném prostředí, například v přítomnosti hořlavých kapalin, plynů nebo prachu. Elektrické nářadí je zdrojem jiskření, které může zapálit prach nebo výpary.
  - c) Při práci s elektrickým nářadím udržujte děti a přihlížející osoby v bezpečné vzdálenosti. Nesoustředěnost může způsobit ztrátu kontroly.
- ### 2) ELEKTRICKÁ BEZPEČNOST
- a) Zástrčky elektrického nářadí musí odpovídat zásuvkám. V žádném případě nikdy neupravujte zástrčku. S uzemněným elektrickým nářadím nepoužívejte žádné rozbočovací zásuvky. Neupravené zástrčky a shodné zásuvky snižují riziko úrazu elektrickým proudem.
  - b) Zabráňte kontaktu těla s uzemněnými povrchy, jako jsou potrubí, radiátory, sporáky a ledničky. Existuje zvýšené riziko úrazu elektrickým proudem, pokud je vaše tělo uzemněno.
  - c) Nevystavujte elektrické nářadí dešti nebo vlhkému prostředí. Vniknutí vody do elektrického nářadí zvyšuje riziko úrazu elektrickým proudem.
  - d) Nezatěžujte kabel. Nikdy nepoužívejte napájecí kabel k přenášení nářadí, tahání nebo vytahování zástrčky ze zásuvky. Udržujte kabel daleko od tepla, oleje, ostrých hran nebo pohyblivých částí. Poškozené nebo spletené kabely zvyšují riziko úrazu elektrickým proudem.
  - e) Při práci s nářadím venku používejte prodlužovací kabel vhodný pro venkovní použití. Použití kabelu vhodného pro venkovní použití snižuje riziko úrazu elektrickým proudem.
  - f) Pokud musíte s elektrickým nářadím pracovat ve vlhkém prostředí, použijte napájení s ochranou proti zbytkovému proudu (RCD). Použití RCD snižuje riziko úrazu elektrickým proudem.

### 3) BEZPEČNOST OSOB

- a) Při práci s elektrickým nářadím buďte stále pozorní, sledujte, co děláte a používejte zdravý rozum. Nepoužívejte elektrické nářadí, jste-li unaveni nebo pod vlivem drog, alkoholu nebo léků. Chvilka nepozornosti při práci s nářadím může vést k vážnému zranění.
- b) Používejte osobní ochranné pracovní prostředky. Vždy používejte ochranu očí. Ochranné pomůcky, jako např. respirátor, protiskluzová bezpečnostní obuv, pevná přilba nebo chrániče sluchu, používané ve vhodném

prostředí sniží riziko úrazu.

- c) Zabráňte náhodnému spuštění. Před připojením ke zdroji napětí a/nebo akumulátoru, zvedáním nebo přenášením nářadí se ujistěte, že spínač je ve vypnuté poloze. Přenášení elektrického nářadí s prstem na spínači nebo zapojování elektrického nářadí, které má zapnutý spínač, může snadno způsobit nehodu či úraz.
  - d) Před zapnutím elektrického nářadí odstraňte seřizovací klíče nebo klíče. Nástroj nebo klíč, který zůstane upevněn k otáčející se části elektrického nářadí, může způsobit zranění.
  - e) Nepřeceňujte své síly. Vždy udržujte pevný postoj a rovnováhu. To umožní lepší ovládnutí elektrického nářadí v nečekaných situacích.
  - f) Používejte vhodný oděv. Nenoste volný oděv ani šperky. Udržujte své vlasy a oblečení mimo dosah pohyblivých se částí. Volný oděv, šperky nebo dlouhé vlasy se mohou zachytit do pohyblivých dílů.
  - g) Pokud je zařízení vybaveno adaptérem pro připojení odsávání prachu a sběrnými zařízeními, zajistěte jejich správné připojení a řádnou funkci. Použití odsávání prachu může snížit nebezpečí týkající se prachu.
  - h) Nedovoľte, abyste se po získání zkušeností častým používáním nástrojů stali neobezřetnými a ignorovali zásady bezpečnosti. Nedbalá činnost může způsobit vážné zranění za zlomek sekundy.
- ### 4) POUŽITÍ A PÉČE O ELEKTRICKÉ NÁŘADÍ
- a) Netlačte příliš na nářadí. Používejte správný typ nářadí pro vaše použití. Správné elektrické nářadí bude pracovat lépe a bezpečněji rychleji, pro kterou bylo navrženo.
  - b) Nepoužívejte elektrické nářadí v případě, že vypínač nefunguje. Jakékoliv elektrické nářadí, které nelze ovládat vypínačem, je nebezpečné a musí se opravit.
  - c) Před jakýmkoliv seřizováním, výměnou příslušenství nebo před uložením nepoužívaného elektrického nářadí odpojte napájení nebo akumulátor, jde-li to provést. Tato preventivní bezpečnostní opatření snižují riziko náhodného spuštění elektrického nářadí.
  - d) Nepoužívané elektrické nářadí uchovávejte mimo dosah dětí a nenechte s elektrickým nářadím pracovat osoby, které se neseznámily s elektrickým nářadím nebo těmito pokyny. Elektrické nářadí je v rukou nekalifikované osoby nebezpečné.
  - e) Udržujte elektrické nářadí a příslušenství. Zkontrolujte vychýlení či zaseknutí pohyblivých částí, poškození jednotlivých dílů a jiné okolnosti, které mohou ovlivnit chod nářadí. Je-li nářadí poškozeno, nechejte ho před použitím opravit. Mnoho nehod je způsobeno nedostatečnou údržbou nářadí.
  - f) Udržujte řezné nástroje ostré a čisté. Řádně udržované řezné nástroje s ostrými řeznými hranami nemají tendenci se ohýbat a lépe se ovládají.
  - g) Používejte elektrické nářadí, příslušenství a nástrojové hroty atd. v souladu s těmito pokyny s přihlédnutím k pracovním podmínkám a práci, která má být provedena. Použití elektrického nástroje na činnosti jiné, než je určující použití, může vést k nebezpečným situacím.
  - h) Udržujte rukojeti a uchopovací plochy suché,

čisté, bez oleje a maziva. Kluzké rukojeti a plochy pro uchopení neumožňují bezpečnou manipulaci s nářadím a jeho ovládání v nečekaných situacích.

#### 5) POUŽITÍ A PÉČE O AKUMULÁTOROVÉ NÁŘADÍ

- a) **K nabíjení používejte pouze nabíječku doporučenou výrobcem.** Nabíječka vhodná pro jeden typ akumulátoru může způsobit riziko požáru při použití s jiným akumulátorem.
  - b) **Používejte elektrické nářadí pouze se specifikovanými akumulátory.** Použití jiných akumulátorů může způsobit riziko úrazu a požáru.
  - c) **Pokud akumulátor nepoužíváte, držte jej z dosahu kovových předmětů, jako jsou kancelářské sponky na papír, mince, klíče, hřebíky, šroubky nebo další drobné kovové předměty, které mohou propojit kontakty baterie.** Zkratování kontaktů baterie může způsobit spálení nebo požár.
  - d) **V nevhodných podmínkách může z baterie unikat kapalina. Zabráňte kontaktu. Při náhodném kontaktu opláchněte zasazené místo vodou. Při zasažení očí kapalinou vyhledejte lékařskou pomoc.** Unikající kapalina z akumulátoru může způsobit podráždění pokožky nebo popálení.
  - e) **Nepoužívejte akumulátor nebo nářadí, které jsou poškozené nebo upravené.** Poškozené nebo upravené akumulátory se mohou chovat nepředvídatelně, což může vést k požáru, výbuchu nebo nebezpečí zranění.
  - f) **Nevystavujte akumulátor ani nářadí ohni nebo příliš vysoké teplotě.** Při vystavení ohni nebo teplotě nad 130 ° C může dojít k výbuchu.
  - g) **Dodržujte všechny pokyny pro nabíjení a nenabíjejte akumulátor nebo nářadí mimo rozsah teplot uvedených v pokynech.** Nesprávné nabíjení nebo nabíjení při teplotách mimo stanovený rozsah může poškodit akumulátor a zvýšit riziko požáru.
- #### 6) SERVIS
- a) **Svěřte opravu vašeho elektrického nářadí kvalifikované osobě používající pouze shodné náhradní díly.** Tím zajistíte bezpečnost elektrického nářadí.
  - b) **Nikdy neopravujte poškozené akumulátory.** Servis akumulátorů může provádět pouze výrobce nebo autorizovaní poskytovatelé služeb.

#### BEZPEČNOSTNÍ POKYNY PRO AKUMULÁTOROVÉ KLADIVO

- **Používejte chrániče sluchu.** Vystavení hluku může způsobit ztrátu sluchu.
- **Používejte pomocné rukojeti, pokud jsou součástí dodávky elektrického nářadí.** Ztráta kontroly může vést ke zraněním.
- **Pokud provádíte práce, při kterých může řezací nářadí zasáhnout skrytá elektrická vedení, pak držte elektronářadí na izolovaných plochách rukojeti** (kontakt s vedením pod napětím může přivést napětí i na kovové díly elektronářadí a vést k úderu elektrickým proudem)

#### BEZPEČNOSTNÍ POKYNY PŘI POUŽITÍ DLOUHÝCH VRTÁKŮ S VRTACÍMI KLADIVY

- **Vždy začnete vrtání při nízkých otáčkách a s hrotem**

**v kontaktu s obrobkem.** Při vyšších rychlostech se hrot může ohýbat, pokud se nechá volně otáčet bez kontaktu s obrobkem, což má za následek zranění osob.

- **Vyvíjejte tlak pouze v přímé linii s hrotem a nevyvíjejte nadměrný tlak.** Hroty se mohou ohýbat a způsobit zlomení nebo ztrátu kontroly, což má za následek zranění osob.

#### OBECNĚ

- **Nepracovávajte žádný materiál obsahující azbest** (azbest je považován za karcinogenní)
- Tento nástroj nesmí používat osoby mladší 16 let
- Prach z materiálů, jako jsou barvy obsahující olovo, některé druhy dřeva, minerály a kovy, může být škodlivý (kontakt s prachem nebo jeho vdechnutí může způsobit alergickou reakci a/nebo vyvolat respirační choroby u obsluhy nebo přihlížejících); **používejte protiprachovou masku a pracujte se zařízením na odsávání prachu, pokud je možné jej připojit**
- Některé druhy prachu jsou klasifikovány jako karcinogenní (například dubový a bukový prach) zejména ve spojení s aditivy pro úpravu dřeva; **používejte protiprachovou masku a pracujte se zařízením na odsávání prachu, pokud je možné jej připojit**
- Dodržujte stanovená nařízení pro práci v prašném prostředí

#### PŘED POUŽITÍM

- Vyvarujte se poškození, které mohou způsobit šrouby, hřebíky a další předměty ve vašem obrobku; odstraňte je, než začnete pracovat
- **Zajistěte obráběný díl** (obráběný díl uchycený pomocí upínacích zařízení nebo ve svěráku je mnohem bezpečnější než v ruce)
- **Použijte vhodné hledací přístroje k vyhledání skrytých přírodních vedení nebo přivězte místní dodavatelskou společnost** (kontakt s elektrickým vedením může vést k požáru a elektrickému úderu; poškození plynového vedení může vést k explozi; proniknutí do vodovodního potrubí může způsobit věcné škody nebo elektrický úder)
- Zabezpečte, aby přepínač předvolby směru B2 byl vždy v pozici uprostřed (zajištěná poloha), než provedete seřízení stroje nebo výměnu příslušenství, při přenášení nebo odložení stroje.
- Nezapomeňte, že při zadření vznikají určité síly (zejména při vrtání kovů); **vždy držte nářadí za pomocnou rukojeť J a pevně se postavte**

#### PŘÍSLUŠENSTVÍ

- SKIL zajistí bezvadnou funkci nářadí pouze tehdy, používáte-li původní značkové
- Používejte pouze příslušenství, jejichž dovolené otáčky jsou alespoň tak vysoké jako nejvyšší otáčky bez zařízení nástroje

#### PO POUŽITÍ

- Když nářadí odkládáte, vypněte motor a zajistěte, aby se všechny pohyblivé části zcela zastavily

#### AKUMULÁTORY

- **Dodávány akumulátor je částečně nabitý** (v zájmu zajištění maximální kapacity akumulátoru jej před prvním použitím vašeho elektrického nářadí úplně dobijte v nabíječce).
- **Používejte pouze následující akumulátory a nabíječky dodávané s tímto nástrojem**
  - Akumulátor SKIL: BR1\*31\*\*\*\*
  - Nabíječka SKIL: CR1\*31\*\*\*\*
- Poškozený akumulátor nepoužívejte, nahraďte jej novým

- Akumulátor nerozebírejte
- Nevystavujte nástroj/akumulátor dešti
- Povolená teplota prostředí (nářadí/nabíječka/akumulátor):
  - při nabíjení 4 až .40 °C
  - při provozu - 20 až + 50 °C
  - při skladování -20...+50°C

## VYSVĚTLENÍ SYMBOLŮ NA NÁSTROI/AKUMULÁTORU

- ③ Před použitím si přečtěte návod k použití
- ④ Akumulátory při vhození do ohně explodují, proto je nikdy nevhazujte do otevřeného plamene
- ⑤ Nářadí/nabíječku/akumulátor ukládejte na vhodné, suché a zajištěné místo, v prostorách s teplotou maximálně 50 °C
- ⑥ Nevyhazujte elektrické nářadí a akumulátory do komunálního odpadu

## OBSLUHA

- Nabíjení akumulátorů
  - ! přečtěte si bezpečnostní upozornění a pokyny, které byly dodány spolu s nabíječkou
- Vyměnění instalace akumulátoru ②
- Ukazatel nabití akumulátoru ⑦
  - stisknete tlačítko ukazatele nabití akumulátoru G, aby ukázal aktuální úroveň nabití ⑦a
  - ! když na nejnižší úrovni nabití začne ukazatel akumulátoru po stisknutí tlačítka G7b blikat, akumulátor je vybitý
  - ! když po stisknutí tlačítka G7c začnou blikat 2 pole ukazatele, znamená to, že se akumulátor nachází mimo povolený rozsah pracovní teploty
- Ochrana akumulátoru
  - Nářadí se najednou vypne nebo mu je zabráněno v zapnutí, když
    - je zátěž příliš vysoká --> odstraňte zátěž a proveďte restart
    - teplota akumulátoru není v rozsahu přípustných provozních teplot - 20 až + 50 °C --> 2 úrovně ukazatele nabití akumulátoru začnou blikat po stisknutí tlačítka G⑦c; počkejte, dokud se akumulátor nevrátí do rozsahu přípustných provozních teplot
    - akumulátor je téměř vybitý (ochrana před přílišným vybitím) --> při stisknutí tlačítka G ukazatel nabití akumulátoru ukáže nízkou úroveň baterie nebo blikající nízkou úroveň akumulátoru ⑦b; nabijte akumulátor
    - ! po automatickém vypnutí nástroje netiskněte hlavní vypínač; mohlo by dojít k poškození akumulátoru
- Změna směru otáček ⑧
  - jestliže poloha doleva/doprava správně nezapadne, není možno zapnout vypínač B②
  - ! směr otáček se smí změnit pouze, je-li nástroj zcela zastaven
- Instalace a demontáž hrotů ⑨a & ⑨b
  - ! příslušenství SDS+ před nasazením očistěte a lehce promažte
    - vložte příslušenství do sklíčidla SDS+, otáčejte a přitlačujte jej, dokud nezapadne na své místo; příslušenství samočinně zaklapne
    - zaklapnutí příslušenství je třeba vyzkoušet
    - vyměňte příslušenství odtažením zajišťovací objímky D

! příslušenství SDS+ musí být volně pohyblivé, při chodu naprázdno vzniká rozkmít, který se při vrtání samočinně vystředí, a tudíž nemá žádný vliv na přesnost vrtání

! nepoužívejte hroty s poškozeným dřikem

- Kombinovaný hlavní vypínač ⑩a kontrola rychlosti ⑩
  - při větším či menším tlaku na spínač B, lze měnit plynule otáčky
- Výběr provozního režimu ⑫
  - otáčejte spínačem C do požadovaného provozního režimu, dokud nezaklapne
    - 1 = normální vrtání/šroubování
    - 2 = přikleповé vrtání
    - 3 = dlabání s rotujícím dlátem
    - 4 = dlabání s pevným dlátem
  - ! vyberte provozní režim pouze v případě, že je nástroj vypnutý a akumulátor je odstraněn
    - elektropneumatický vrtací mechanismus se zapíná lehkým tlakem na vrtáčku, jestliže se vrták dotkne obrobku
    - elektropneumatický vrtací mechanismus dosáhne plné účinnosti v krátkém čase
    - nejlepší výkony elektropneumatického vrtání je možné dosáhnout lehkým tlakem na vrtáčku; větší tlak již nevede k lepšímu výsledku
- Dlabání s pevným dlátem ⑬
  - ! vypněte nástroj a vyjměte akumulátor
    - vyberte „rotující“ režim dlabání
    - dejte dláto do požadované polohy
    - vyberte „pevný“ režim dlabání
- LED světlo ⑭
  - LED světlo E se automaticky rozsvítí při aktivaci spínače B
  - ! když pracovní LED světlo začne blikat, aktivuje se ochrana akumulátoru (viz výše)
- Držení a vedení nástroje ⑮
  - ! při práci vždy držte nářadí za šedě zabarvenou oblast rukojeti
    - vždy držte nářadí za pomocnou rukojeť J (lze ji nastavit podle obrázku) ⑮
    - udržujte větrací štěrby F② nezakryté
    - na nástroj příliš netlačte; nechte jej, aby pracoval za vás
- Nastavení hloubky vrtání ②

## NÁVOD K POUŽITÍ

- Použijte správné hroty ⑯
  - ! používejte pouze ostré hroty
- Pro vrtání pomocí vrtáků jiných než SDS do dřeva, kovu a plastu použijte adaptér (není standardní součástí) ⑰
  - ! příslušenství SDS+ před nasazením očistěte a lehce promažte
    - odtáhněte zajišťovací objímku D a vložte adapter do sklíčidla SDS+, otáčejte a přitlačujte jej, dokud nezapadne na své místo; adapter samočinně zaklapne
    - zaklapnutí adapteru je třeba vyzkoušet
    - nastavte přepínač C na normální vrtání (aktivujte pouze při vypnutém nástroji a uzamčení spínače)
- Při vrtání železných kovů
  - předvrtajte napřed malý otvor
  - vrták při práci občas naolejujte
- Při zašroubování šroubu poblíž konce řezu nebo hrany dřeva předvrtajte otvor, aby se zabránilo rozštípnutí dřeva.

- Vrtání dřeva bez vzniku třísek 20
- Bezprašné vrtání zdi 21
- Bezprašné vrtání stropů 22
- Vrtání dlaždic bez skluzu 23
- Další informace najdete na [www.skil.com](http://www.skil.com)

## ÚDRŽBA / SERVIS

- Tento nástroj není určen k profesionálnímu použití
- Nástroj udržujte vždy čistý (zejména větrací štěrbiny F 2)
- **! před montáží vyjměte z nářadí akumulátor**
- Pokud dojde i přes pečlivou výrobu a náročné kontroly k poruše nástroje, svěřte provedení opravy autorizovanému servisnímu středisku pro elektronářadí firmy SKIL
  - zašlete nerozebrané nářadí spolu s potvrzením o nákupu prodejci nebo nejbližšímu servisu značky SKIL (adresy a servisní schéma nářadí jsou uvedeny na adrese [www.skil.com](http://www.skil.com))
- Uvědomte si, že na poškození způsobené přetížením nebo nesprávným zacházením se nevztahuje záruka (záruční podmínky společnosti SKIL najdete na adrese [www.skil.com](http://www.skil.com) nebo se obraťte na prodejce)

## ŽIVOTNÍ PROSTŘEDÍ

- **Elektrické nářadí, baterie, doplňky a balení nevyhazujte do komunálního odpadu** (jen pro státy EU)
  - podle evropské směrnice 2012/19/ES o nakládání s použitými elektrickými a elektronickými zařízeními a odpovídajících ustanovení právních předpisů jednotlivých zemí se použitá elektrická nářadí, musí sbírat odděleně od ostatního odpadu a podrobit ekologicky šetrnému recyklování
  - na nutnost příslušného nakládání s odpadem upozorňuje symbol 6
- **! u vyřazených akumulátorů zakryjte kontakty izolační páskou, zabráníte tím plazivým proudům**

## HLUČNOSTI / VIBRACÍ

- Při měření v souladu s normou EN62841 je hladina akustického tlaku tohoto nářadí 93.4 dB(A) a hladina akustického výkonu 104.4 dB(A) (nepřesnost K = 3 dB) a vibrace\* (celkové hodnoty vibrací; nepřesnost K = 1.5 m/s<sup>2</sup>)
  - \* při přiklepovém vrtání do betonu 16.2 m/s<sup>2</sup>
  - \* při dlabání 12.8 m/s<sup>2</sup>
- Úroveň vibrací byla měřena v souladu se standardizovaným testem podle EN 62841; je možné ji použít ke srovnání jednoho nástroje s druhým a jako předběžné posouzení vystavování se vibracím při používání nástroje k uvedeným aplikacím
  - používání nářadí k jiným aplikacím nebo s jiným či špatně udržovaným příslušenstvím může zásadně **zvýšit** úroveň vystavení se vibracím
  - doba, kdy je nářadí vypnuté, nebo když běží, ale ve skutečnosti není používáno, může zásadně **snížit** úroveň vystavení se vibracím
- **! chraňte se před následky vibrací tak, že budete dbát na údržbu nástroje a příslušenství, budete si udržovat teplé ruce a uspořádáte si své pracovní postupy**

TR

## Fırçasız akülü kırıcı-delici matkap

3851

### GİRİŞ

- Bu alet, beton ve taş malzemede çekiç delme ile tahta, metal, seramik ve plastik malzemede delme işleri için geliştirilmiştir; elektronik hız kontrolü ve sağ/sol dönüşlü aletler, vidalama ve diş açma işlerine de uygundur
- Bu aletin çekiç delme sistemi, betonda delme işlerinde bütün diğer darbeli matkapların performansını büyük ölçüde aşar
- Bu aletle bütün normal SDS+ aksesuarları kullanılabilir
- Bu alet profesyonel kullanıma yönelik değildir
- Parçaların eksik veya hasarlı olması durumunda bayinizle temasa geçin
- **Aleti kullanmadan önce bu kullanım kılavuzunu dikkatli bir şekilde okuyun ve ileride başvurmak üzere saklayın 3**
- **Güvenlik talimatlarına ve uyarılarına özellikle dikkat edin, bu talimatlara/uyarılara uyulmaması halinde ciddi yaralanmalar meydana gelebilir**

### TEKNİK VERİLER 1

### ALETİN PARÇALARI 2

- A Dönme yönü (ileri/orta-kilit/geri) seçici
- B Açma/kapatma ve hız kontrol düğmesi
- C Çalıştırma modunu seçme anahtarını
- D Kilitleme manşon
- E LED ışık
- F Havalandırma delikleri
- G Batarya seviyesi göstergesi düğmesi
- H Derinlik ayarı
- J Yardımcı tutma kolu

## GÜVENLİK

### ELEKTRİKLİ ALETLER İÇİN GENEL GÜVENLİK UYARILARI

**! UYARI** Bu elektrikli alet ile birlikte verilen tüm güvenlik uyarılarını, talimatları, çizimleri ve teknik özellikleri okuyun. Aşağıdaki talimatların tamamına uyulmaması elektrik çarpması, yangın ve/veya ciddi yaralanma ile sonuçlanabilir.

### Tüm uyarı ve talimatları gelecekte başvuru amacıyla muhafaza edin.

Uyarılarda geçen "elektrikli alet" terimi ile elektrik prizinden beslenen (kablolu) elektrikli alet veya şarjlı (kablosuz) elektrikli alet kastedilmektedir.

### 1) ÇALIŞMA ALANI GÜVENLİĞİ

- a) Çalışma alanını temiz tutun ve yeterli aydınlatma sağlayın. Karışık veya karanlık alanlar kazalara yol açar.
- b) Elektrikli aletleri yanıcı sıvı, gaz veya toz içeren patlayıcı ortamlarda çalıştırmayın. Elektrikli aletten çıkan kıvılcıklar toz veya gazları tutuşturabilir.
- c) Bir elektrikli aleti kullanırken çocukların ve etraftaki

kişilerin aletten uzakta olduğundan emin olun. Dikkatinizin dağılması kontrolü kaybetmenize neden olabilir.

## 2) ELEKTRİK GÜVENLİĞİ

- a) **Elektrikli aletin fişi prize uygun olmalıdır. Fiş üzerinde asla değişiklik yapmayın. Topraklı (topraklamalı) elektrikli aletler için herhangi bir adaptör fişi kullanmayın.** Üzerinde değişiklik yapılmamış fişler ve uygun prizler elektrik çarpması riskini azaltır.
  - b) **Boru, radyatör, fırınlı ocak ve buzdolabı gibi topraklanmış yüzeylerle temastan kaçının.** Topraklanmış yerlerle temas etmeniz halinde elektrik çarpması riski artar.
  - c) **Elektrikli aletleri yağmura veya ıslak ortamlara maruz bırakmayın.** Elektrikli alet içine giren su, elektrik çarpması riskini artırır.
  - d) **Kabloyu hatalı kullanmayın. Kabloyu elektrikli aleti taşımak, çekmek veya prizden çıkarmak için kullanmayın. Kabloyu sıcağın, yağdan, keskin kenarlardan veya hareketli parçalardan uzak tutun.** Hasarlı veya birbirine dolaşmış kablolar elektrik çarpması riskini artırır.
  - e) **Bir elektrikli aleti açık havada kullanırken, uygun bir dış mekan uzatma kablosu kullanın.** Dış mekan için uygun bir kablonun kullanılması elektrik çarpması riskini azaltır.
  - f) **Elektrikli aletin nemli bir yerde çalıştırılması gerekiyorsa kaçak akım rölesi (RCD) korumalı bir kaynak kullanın.** RCD (kaçak akım rölesi) kullanımı elektrik çarpması riskini azaltır.
- ## 3) KİŞİSEL GÜVENLİK
- a) **Elektrikli aletleri kullanırken daima dikkatli olun, yaptığınız işe yoğunlaşın ve sağduyulu davranın. Elektrikli aleti yorgunken ya da uyuşturucu, alkol ya da ilaç etkisi altındayken kullanmayın.** Elektrikli aletleri kullanırken bir anlık dikkatsizlik ciddi yaralanmalara yol açabilir.
  - b) **Kişisel koruyucu ekipman kullanın. Daima koruyucu gözlük takın.** Koşullara uygun toz maskesi, kaymaz emniyet ayakkabıları, kask veya işitme koruması gibi koruyucu ekipman kullanılması yaralanmaları azaltır.
  - c) **Yanlışlıkla çalıştırmaktan kaçının. Aletin güç kaynağı ve/veya batarya ile bağlantısını yapmadan, kaldırmadan veya taşımadan önce açma/kapatma düğmesinin kapalı olduğundan emin olun.** Aleti, parmağınız açma kapatma düğmesinin üzerindeyken taşımak veya alet açırken fişi prize takmak kazalara davetiye çıkarır.
  - d) **Elektrikli alete takılı herhangi bir alyan veya anahtar varsa aleti çalıştırmadan önce bunları çıkarın.** Elektrikli aletin döner parçalarına takılı bir alyan veya anahtar yaralanmalara neden olabilir.
  - e) **Dengesiz bir duruşla çalışma yapmayın. Çalışma süresince ayaklarınızı sağlam basın ve dengeyi koruyun.** Bu sayede beklenmedik durumlarda elektrikli alet daha iyi kontrol edilebilir.
  - f) **Uygun bir şekilde giyinin. Bol giysiler giymeyin veya takı takmayın. Saçlarınızı ve elbiselerinizi hareketli parçalardan uzak tutun.** Bol giysiler, takılar veya uzun saçlar hareketli parçalara takılabilir.
  - g) **Toz emme ve toplama araçlarının bağlantısı için sağlanan cihazlar varsa bunların takılı olduğundan**

ve düzgün bir biçimde kullanıldığından emin olun. Toz toplama araçlarının kullanımı tozdan kaynaklanabilecek tehlikeleri azaltabilir.

- h) **Aletleri sık kullanarak edindiğiniz alışkanlık rahat olmanıza ve aletin güvenlik ilkelerini göz ardı etmenize neden olmamalıdır. Dikkatsiz bir hareket, bir saniyeden daha kısa bir sürede ağır yaralanmalara neden olabilir.**
- ## 4) ELEKTRİKLİ ALET KULLANIMI VE BAKIMI
- a) **Elektrikli aleti zorlamayın. Yaptığınız işe uygun elektrikli aleti kullanın.** Doğru elektrikli alet, tasarımına uygun değerlerde kullanıldığında daha iyi ve daha güvenli çalışır.
  - b) **Açma/kapatma düğmesi çalışmıyorsa elektrikli aleti kullanmayın.** Açma kapama düğmesi ile kontrol edilemeyen bir elektrikli alet tehlikelidir ve onarılması gerekir.
  - c) **Herhangi bir ayar işlemi, aksesuar değişimi veya elektrikli aletlerin saklanması öncesinde fişi prizden çekin ve/veya eğer çıkarılabiliyorsa bataryayı elektrikli aletten çıkarın.** Bu tür önleyici güvenlik önlemleri, elektrikli aletin yanlışlıkla çalışması riskini azaltır.
  - d) **Kullanılmayan elektrikli aletleri çocukların erişemeyeceği yerlerde saklayın ve elektrikli alet veya bu talimatlar hakkında bilgi sahibi olmayan kişilerin elektrikli aletleri kullanmasına izin vermeyin.** Elektrikli aletler eğitimsiz kullanıcıların elinde tehlikelidir.
  - e) **Elektrikli aletlere ve aksesuarlara bakım yapın. Hareketli parçaların hizalanmasını veya bağlanmasının doğru yapıp yapılmadığını, parçalarda hasar olup olmadığını ve elektrikli aletin çalışmasını etkileyebilecek tüm diğer koşulları kontrol edin. Elektrikli alet hasarlı ise kullanmadan önce onarılmasını sağlayın.** Kazaların çoğu, elektrikli alet bakımının yeterli şekilde yapılmamasından kaynaklanır.
  - f) **Kesici aletleri keskin ve temiz tutun.** Keskin kesim kenarlarına sahip, bakımı düzgün yapılmış kesim aletleri daha az sorun çıkarır ve kontrolü kolaydır.
  - g) **Elektrikli aleti, aksesuarlarını ve alet uçlarını vb. çalışma şartlarını ve yapılacak işi dikkate alarak bu talimatlara uygun şekilde kullanın.** Elektrikli aletin kullanım amacı dışındaki işlerde kullanılması tehlikeli durumlara neden olabilir.
  - h) **Tutma kollarını ve kavrama yüzeylerini kuru, temiz, benzin ve yağdan uzak tutun.** Kaygan saplar ve kavrama yüzeyleri, aletin beklenmeyen durumlarda güvenli bir şekilde tutulmasına ve kontrol edilmesine izin vermez.
- ## 5) BATARYA İLE ÇALIŞAN ALETLERİNİN KULLANIMI VE BAKIMI
- a) **Sadece üretici tarafından belirtilen şarj cihazı ile şarj edin.** Bir batarya türü için uygun olan şarj cihazı, başka bir batarya ile kullanıldığında yangın riski oluşturabilir.
  - b) **Elektrikli aletleri sadece özel olarak üretilmiş bataryalarla kullanın.** Başka batarya türlerinin kullanımı yaralanma ve yangın tehlikesi oluşturabilir.
  - c) **Bataryanın kullanımında olmadığı durumlarda bataryayı atış, bozuk para, anahtar, çivi, vida veya batarya kutupları arasında kısa devre yapabilecek diğer metal nesnelere uzak tutun.** Batarya kutuplarının kısa devre yapılması yangın veya yanıklara



neden olabilir.

- d) **Kötü şartlar altında bataryadan sıvı akışı olabilir; bu sıvı ile temas etmekten kaçının. Yanlışlıkla temas edilirse etkilenen bölgeyi su ile yıkayın. Sıvı göze temas ederse ayrıca tıbbi yardım alın.** Bataryadan akan sıvı tahriş veya yanıklara neden olabilir.
- e) **Hasarlı veya üzerinde değişiklik yapılmış bir bataryayı veya aleti kullanmayın.** Hasarlı veya üzerinde değişiklik yapılmış bataryalar yangın, patlama veya yaralanma riskine neden olacak şekilde beklenmeyen davranışlar gösterebilir.
- f) **Bataryayı veya aleti ateşe veya aşırı sıcaklıklara maruz bırakmayın.** Ateşe veya 130 °C'nin üzerindeki sıcaklıklara maruz kalması patlamaya neden olabilir.
- g) **Tüm şarj talimatlarına uyun ve bataryayı veya aleti talimatlarda belirtilen sıcaklık aralığının dışındaki sıcaklıklarda şarj etmeyin.** Hatalı veya belirtilen sıcaklık aralığının dışındaki sıcaklıklarda şarj etmek, bataryaya zarar verebilir ve yangın riskini artırır.
- 6) **SERVİS**
- a) **Elektrikli aletinizin bakımını, sadece orijinal yedek parça kullanan uzman bir tamirciye yaptırın.** Bu sayede elektrikli aletin emniyetinin korunmasını sağlar.
- b) **Asla hasarlı bataryalara bakım-onarım yapmayın.** Bataryaların bakımı sadece üretici veya yetkili servisler tarafından yapılmalıdır.

#### AKÜLÜ ÇEKİÇ İÇİN GÜVENLİK TALİMATLARI

- **İşitme koruyucuları takın.** Gürültüye maruz kalmak işitme kaybına yol açabilir.
- **Aletle birlikte verilmişse yardımcı tutma yerlerini kullanın.** Kontrol kaybı kişisel güvenliğinizi yaralanmaya neden olabilir.
- **Kesim aksesuarının gizli kablo tesisatına temas edebileceği bir işlem yaparken elektrikli aleti izolasyonlu tutma yerlerinden tutun** ("elektrikli" bir kabloya temas eden kesim aksesuarı, aletin metal parçalarında da "elektrikli" olmasına ve operatöre elektrik çarpmasına neden olabilir)

#### KIRICI DELİCİ MATKAPLA UZUN MATKAP UÇLARI KULLANIRKEN GÜVENLİK TALİMATLARI

- **Delmeye her zaman düşük hızda ve matkap ucu iş parçasıyla temas halindeyken başlayın.** Yüksek hızlarda matkap ucunun iş parçasına temas etmeden serbestçe dönmesine izin verilirse uç bükülebilir ve yaralanmaya neden olabilir.
- **Sadece matkap ucu ile aynı doğrultuda basınç uygulayın ve aşırı basınç uygulamayın.** Matkap uçları, kırılma veya kontrol kaybına neden olacak şekilde bükülebilir ve yaralanmaya neden olabilir.

#### GENEL

- **Bu aletle asbest içeren malzemeleri işlemeyin** (asbest kanserojen bir madde kabul edilir)
- Bu alet 16 yaşın altındaki kişiler tarafından kullanılmamalıdır
- Kurşun içeren boya, bazı ahşap türleri, mineral ve metal gibi malzemelerden çıkan toz zararlı olabilir (tozla temasta bulunulması veya solunması operatörde veya yakında bulunan kişilerde alerjik reaksiyonlara ve/veya solunum yolu hastalıklarına neden olabilir); **toz maskesi takın ve bağlanabiliyorsa bir toz çekme cihazıyla çalışın**

- Bazı toz tipleri (örneğin meşe ve kayın ağacı tozu), özellikle ahşap yenileme katkı maddeleriyle birlikte kansinojenik olarak sınıflandırılır; **toz maskesi takın ve bağlanabiliyorsa bir toz çekme cihazıyla çalışın**
- Çalışmak istediğiniz malzemeler için tozla ilgili ulusal gereksinimleri takip edin

#### KULLANMADAN ÖNCE

- İş parçasının vida, çivi ve benzeri malzeme tarafından hasar görmemesi için dikkatli olun; çalışmaya başlamadan önce bunları çıkarın
- Çalıştığınız parçayı sabitleyin (kıskaçlarla ya da mengeneyle sabitlenmiş bir iş parçası elle tutulan iş parçasından daha güvenilirdir)
- **Görünmeyen elektrik kablolarını belirlemek için uygun dedektörler kullanın veya yerel elektrik şirketinden yardım isteyin** (elektrik kablolarıyla temas, yangın çıkmasına veya elektrik çarpmalarına neden olabilir; bir gaz borusu hasar görürse patlama tehlikesi olur; bir su borusunun delinmesi halinde maddi hasarlar meydana gelebilir veya elektrik çarpması tehlikesi ortaya çıkabilir)
- Herhangi bir aksesuar değişikliği yada ayarlama yapmadan veya cihaz hareket halindeyken ve/veya boşta beklerken dönme yönü seçici düğmesinin (B2) orta pozisyonda (kilit pozisyonu) olduğuna emin olun
- Sıkışma yüzünden meydana gelebilecek güçlerin farkında olun (özellikle metal delerken); **daima yardımcı tutacağı (J) kullanın** ve güvenli bir duruş alın

#### AKSESUARLAR

- SKIL sadece orijinal aksesuarlar kullanıldığında aletin düzgün çalışmasını garanti eder
- Bu aletle kullanacağınız aksesuar, devir sayısı en azından aletin boşta en yüksek devir sayısı kadar olmalıdır

#### KULLANIMDAN SONRA

- Aletinizi bırakıp gitmeden önce mutlaka kapatın ve döner parçaların tam olarak durmasını bekleyin

#### BATARYALAR

- Ürünle birlikte verilen batarya kısmen şarj edilmiştir (bataryanın tam kapasiteyle çalışmasını sağlamak için elektrikli aletinizi ilk kez kullanmadan önce bataryayı, batarya şarj cihazında tamamen şarj edin)
- **Bu aletle sadece aşağıdaki bataryaları ve şarj cihazlarını kullanın**
  - SKIL batarya: BR1\*31\*\*\*\*
  - SKIL şarj cihazı: CR1\*31\*\*\*\*
- Hasarlı bataryaları kullanmayın ve hemen yenileyin
- Bataryayı parçalarına ayırmayın
- Aleti/bataryayı yağmura maruz bırakmayın
- İzin verilen ortam sıcaklığı (alet/şarj cihazı/batarya):
  - şarj olurken 4 ile 40 °C arasında
  - çalışırken -20 ile +50 °C arasında
  - depolanırken -20 ile +50 °C arasında

#### ALET/BATARYA ÜZERİNDEKİ SİMGELERİN AÇIKLAMASI

- ③ Kullanmadan önce kullanın kılavuzunu okuyun
- ④ Ateşe atılan bataryalar patlayabilir, bu yüzden hiçbir nedenle bir bataryayı yakmayın
- ⑤ Aleti, şarj cihazını ve bataryayı sıcaklığın 50 °C'yi aşmadığı yerlerde depolayın
- ⑥ Elektrikli aletleri ve bataryaları evsel atık malzemelerle birlikte çöpe atmayın

#### KULLANIM

- Bataryanın şarj edilmesi  
! şarj cihazı ile birlikte verilen güvenlik uyarıları ve

### **talimatlarını okuyun**

- Bataryanın çıkarılması/takılması ②
- Batarya seviyesi göstergesi ⑦
  - mevcut batarya seviyesini (⑦a) görmek için batarya seviyesi göstergesi düğmesine (G) basın
- ! **düğmeye (G) bastıktan sonra batarya göstergesinin en alt seviyesi (⑦b) yanıp sönmeye başladığında batarya boşalmıştır**
- ! **düğmeye (G) bastıktan sonra batarya göstergesinin 2 seviyesi (⑦c) yanıp sönmeye başladığında batarya izin verilen çalışma sıcaklığı aralığında değildir**
- Batarya koruması  
Aşağıdaki durumlarda alet aniden kapanır veya tekrar çalıştırılmaz
  - **yük çok fazla olduğunda** -> yükü kaldırın ve yeniden çalıştırın
  - **batarya sıcaklığı, -20 ile +50 °C arasındaki izin verilen çalışma sıcaklığı aralığında olmadığında** --> G düğmesine bastığınızda batarya seviyesi göstergesinin 2 seviyesi (⑦c) yanıp sönmeye başlar; batarya sıcaklığı izin verilen çalışma sıcaklığı aralığına dönene kadar bekleyin
  - **batarya bitmeye yakinken (aşırı boşalmaya karşı korumak için)** --> G düğmesine bastığınızda batarya seviyesi göstergesi tarafından düşük batarya seviyesi veya yanıp sönen düşük batarya seviyesi (⑦b) gösterilir
- ! **alet otomatik olarak kapandıktan sonra açma/kapatma düğmesine basmayın; batarya hasar görebilir**
- Dönme yönünün değiştirilmesi ⑧
  - sağ/sol konumları doğru olarak ayarlanmadığında düğme (B) ② etkinleştirilemez
- ! **dönme yönünü sadece alet tamamen dururken değiştirin**
- Uçları takma ve çıkarma ⑨a ve ⑨b
  - ! **aksesuarı SDS+ takmadan önce temizleyin ve hafifçe yağlayın**
  - SDS+ aksesuarı mandrene takın, kavrayana kadar döndürün ve bastırın; aksesuar kendiliğinden kilitletir
  - aksesuarı çekerek kilitlemeyi kontrol edin
  - sürgülü kovanını (D) geri çekerek aksesuarı çıkartın
- ! **SDS+ aksesuarı sürtünmesiz ve serbest hareket etmelidir; bunun sonucunda boşta çalışmadan konsantriklikte bir sapma olur, ancak delme sırasında bu dönme hareketi otomatik olarak merkezlenir; bunun delik hassaslığı ve tamlığı üzerinde bir etkisi olmaz**
- ! **hasarlı uçları kullanmayın**
- Açma/kapatma ⑩ ve hız kontrolü ⑪ işlevini gören kombine düğme
  - düğmeye (B) az veya çok basarak hız sıfırdan maksimuma kadar kademesiz olarak ayarlanabilir
- Çalıştırma modunu seçme ⑫
  - oturdu sesi gelene kadar, anahtarı (C) istenen çalıştırma moduna getirin
  - 1 = normal delme/vidalama
  - 2 = darbeli delme
  - 3 = döner iskarpela ile yontma
  - 4 = sabit iskarpela ile yontma
- ! **yalnızca alet kapatıldığında ve batarya çıkarıldığında çalışma modunu seçin**

- çekiç mekanizması, matkap ucu iş parçasına temas ettikten sonra alete hafifçe bastırarak suretiyle devreye girer
- çekiç mekanizmasının tam darbe gücüne ulaşması kısa bir süre alacaktır
- en iyi çekiç delme sonucu, alete hafifçe bastırarak suretiyle elde edilir; fazla bastırarak delme sonucu düzelmez
- Sabit iskarpela ile yontma ⑬
  - ! **aleti kapatın ve bataryayı çıkarın**
  - “döner” yontma modunu seçin
  - iskarpelayı istenen pozisyona getirin
  - “sabit” yontma modunu seçin
- LED ışık ⑭
  - Düğmeye (B) basıldığında LED ışık otomatik olarak yanar
  - ! **LED çalışma ışığı yanıp sönmeye başladığında batarya koruması devreye girer (yukarı bakın)**
- Aleti tutma ve kullanma ⑮
  - ! **çalışırken aleti her zaman gri renkli tutma yerlerinden tutun**
  - **daima yardımcı tutamağı (J) kullanın** (gösterildiği gibi ayarlanabilir) ⑮
  - havalandırma deliklerini (F②) açık tutun
  - alete çok fazla baskı uygulamayın; bırakın alet sizin için çalışsın
- Delik derinliğinin ayarlanması ⑰

## **UYGULAMA ÖNERİLERİ**


- Uygun uçları kullanın ⑱
  - ! **sadece keskin uçlar kullanın**
- SDS olmayan matkap uçlarıyla odun, metal ve plastik delerken bir adaptör kullanın (standart olarak dahil değildir) ⑲
  - ! **aksesuarı SDS+ takmadan önce temizleyin ve hafifçe yağlayın**
  - sürgülü kovanını (D) geriye çekin, SDS+adaptörü mandrene takın, kavrayana kadar döndürün ve bastırın; adaptör kendiliğinden kilitletir
  - adaptörü çekerek kilitlemeyi kontrol edin
  - düğmeyi (C) normal delme pozisyonuna getirin (sadece alet kapalıyken ve anahtar kilitliyken etkinleştirin)
- Metalde delik açarken
  - önce küçük bir kılavuz delik açın
  - matkap uçlarını belirli aralıklarla yağlayın
- Bir tahtanın baş kısmına veya sonuna bir vida vidalanırken, tahtanın yarılması için bir ön kılavuz delik açın
- Tahtada çatlaksız delme ⑳
- Duvarlarda tozsuz delme ㉑
- Tavanlarda tozsuz delme ㉒
- Fayans üzerinde kaydırmadan delme ㉓
- Daha fazla bilgi için [www.skil.com](http://www.skil.com) adresine bakın

## **BAKIM / SERVİS**

- Bu alet profesyonel kullanıma yönelik değildir
- Aleti her zaman temiz tutun (özellikle havalandırma deliklerini (F②))
  - ! **temizlikten önce bataryayı aletten çıkarın**
- Dikkatli biçimde yürütülen üretim ve test prosedürlerine rağmen alet arızalanırsa onarım işlemleri SKIL elektrikli aletlerine yönelik bir satış sonrası servis merkezinde yapılmalıdır

- aleti sökülmemiş olarak satın alma belgesiyle birlikte satıcınıza veya en yakın SKIL servisine gönderin (servis adresleri ve aletin servis çizelgesi [www.skil.com](http://www.skil.com) adresinde listelenmiştir)
- Aşırı yüklenme ve yanlış kullanımın aleti garanti kapsamından çıkaracağını unutmayın (SKIL garanti koşulları için [www.skil.com](http://www.skil.com) adresine bakın veya satıcınıza başvurun)

## ÇEVRE

- **Elektrikli aletleri, bataryaları, aksesuarları ve ambalaj malzemelerini evsel atıklarla birlikte çöpe atmayın** (sadece AB ülkeleri için)
  - atık elektrikli ve elektronik eşyalarla ilgili 2012/19/EC sayılı Avrupa Birliği Direktifi ve bu direktifin uyarlandığı ulusal yasalar gereğince kullanım ömrünün sonuna ulaşan elektrikli aletler ayrı olarak toplanmalı ve çevreye uyumlu bir geri dönüşüm tesisine gönderilmelidir
  -  sembolü, bertaraf etme ihtiyacı meydana geldiğinde size bunu hatırlatması içindir
- ! **bataryayı atmadan önce kısa devre oluşmasını önlemek için batarya kutuplarını kalın bantla sarın**

## GÜRÜLTÜ / TİTREŞİM

- EN62841 standardına uygun olarak yapılan ölçümlere göre bu aletin ses basıncı seviyesi: 93.4 dB(A), ses gücü seviyesi 104.4 dB(A) (belirsizlik K = 3 dB) ve titreşim\* (triaks vektör toplamı; belirsizlik K = 1.5 m/sn.<sup>2</sup>)
  - \* betonda darbeli delme yaparken 16.2 m/sn.<sup>2</sup>
  - \* kesikleme yaparken 12.8 m/sn.<sup>2</sup>
- Titreşim emisyonu seviyesi EN 62841 standardında belirtilen standart teste göre ölçülmüştür; bu seviye, bir aleti bir başkasıyla karşılaştırmak amacıyla ve aletin söz konusu uygulamalarda kullanılması sırasında titreşime maruz kalma derecesinin ön değerlendirmesi olarak kullanılabilir
  - aletin farklı uygulamalar için veya farklı ya da bakımı yetersiz yapılmış aksesuarlarla kullanılması, maruz kalma seviyesini belirgin biçimde **artırabilir**
  - aletin kapalı olduğu veya çalıştığı ancak gerçek anlamda iş yapmadığı zamanlarda, maruz kalma seviyesi belirgin biçimde **azalabilir**
- ! **aletin ve aksesuarlarının bakımını yaparak, ellerinizi sıcak tutarak ve çalışma şeklinizi organize ederek kendinizi titreşimin etkilerinden koruyun**


PL

**Bezszzotkowa  
młotowiertarka  
akumulatorowa**

**3851**

## WSTĘP

- Narzędzie to przeznaczone jest do wiercenia udarowego w betonie, ceglach, kamieniu oraz w drewnie, metalu, materiałach ceramicznych i tworzywach sztucznych; narzędzia z elektroniczną regulacją prędkości i możliwością zmiany kierunku obrotów w prawo/lewo doskonale sprawdzają się również jako wkrętarki i gwintciarki

- Zastosowany udar elektropneumatyczny pozwala na osiągnięcie znacznie większych wydajności wiercenia w betonie w porównaniu do zwykłych wiertarek udarowych
- Elektronarzędzie przystosowane jest do mocowania narzędzi roboczych z uchwytem wykonanym w standardzie SDS+
- Narzędzie nie jest przeznaczone do zastosowań profesjonalnych
- Jeżeli któreś części brakuje lub jeżeli jakaś część jest uszkodzona, należy skontaktować się z dystrybutorem
- **Przed rozpoczęciem użytkowania prosimy dokładnie przeczytać niniejszą instrukcję. Instrukcję tę należy zachować na przyszłość** 
- **Szczególną uwagę należy zwrócić na instrukcje i ostrzeżenia dotyczące bezpieczeństwa; zlekceważenie ich może doprowadzić do ciężkich urazów**

## DANE TECHNICZNE

### ELEMENTY NARZĘDZIA

- A** Selektor kierunku obrotów (wkręcanie/ poz. środkowa-blokada/wykręcanie)
- B** Włącznik i regulator prędkości
- C** Przełącznik wyboru trybu działania
- D** Tuleja zaciskowa
- E** Lampka LED
- F** Szczeliny wentylacyjne
- G** Przycisk wskaźnika poziomu naładowania akumulatora
- H** Ogranicznik głębokości wiercenia
- J** Uchwyt pomocniczy

## BEZPIECZEŃSTWO

### OGÓLNE OSTRZEŻENIA DOTYCZĄCE BEZPIECZEŃSTWA UŻYWANIA ELEKTRONARZĘDZI

**⚠ OSTRZEŻENIE** Prosimy przeczytać wszystkie ostrzeżenia i instrukcje oraz przestudiować specyfikację i ilustracje dostarczone wraz z elektronarzędziem. Niestosowanie się do wszystkich podanych niżej instrukcji może doprowadzić do porażenia prądem, pożaru i/lub poważnych obrażeń.

**Wszystkie ostrzeżenia i instrukcje należy zachować na przyszłość.**

Termin „elektronarzędzie” występujący w ostrzeżeniach dotyczy narzędzia elektrycznego o zasilaniu sieciowym (przewodowego) lub akumulatorowym (beprzewodowego).

#### 1) BEZPIECZEŃSTWO W MIEJSCU PRACY

- a) **Należy dbać o czystość i dobre oświetlenie w miejscu pracy.** Bałagan i złe oświetlenie sprzyjają wypadkom.
- b) **Nie należy używać elektronarzędzi w miejscach zagrożonych wybuchem, np. w obecności łatwopalnych cieczy, gazów lub pyłu.** Elektronarzędzia wytwarzają iskry, które mogą zapalić opary lub pył.
- c) **W czasie pracy elektronarzędzie należy trzymać z dala od dzieci i osób postronnych.** Chwila nieuwagi może spowodować utratę kontroli nad urządzeniem.

## 2) BEZPIECZEŃSTWO ELEKTRYCZNE

- a) **Wtyczki elektronarzędzi muszą pasować do gniazdek. Nigdy w jakikolwiek sposób nie wolno przerabiać wtyczki. Do elektronarzędzi wymagających uziemienia nie należy używać przejściówek.** Oryginalne wtyczki i pasujące do nich gniazdko zmniejszają ryzyko porażenia prądem.
- b) **Należy unikać dotykania ciałem powierzchni uziemionych, takich jak np. rury, kaloryfery, kuchenki i lodówki.** Uziemienie ciała zwiększa ryzyko porażenia prądem.
- c) **Elektronarzędzia należy chronić przed deszczem i wilgocią.** Woda dostająca się do wnętrza elektronarzędzia zwiększa ryzyko porażenia prądem.
- d) **Nie należy nadwyręzać przewodu. Nigdy nie należy używać przewodu do noszenia lub ciągnięcia elektronarzędzia; nie należy chwycić za przewód, aby wyjąć wtyczkę z kontaktu. Przewód należy chronić przed gorącym, ropą, olejem, ostrymi krawędziami i poruszającymi się częściami.** Zaplątane lub uszkodzone przewody zwiększają ryzyko porażenia prądem.
- e) **Podczas używania elektronarzędzia na dworze należy stosować przedłużacz nadający się do używania na dworze.** Używanie przewodu przeznaczonego do stosowania na dworze zmniejsza ryzyko porażenia prądem.
- f) **Jeżeli użycie elektronarzędzia w miejscu o dużej wilgotności jest nieuniknione, należy stosować zasilanie zabezpieczone wyłącznikiem różnicowoprądowym.** Używanie wyłącznika różnicowoprądowego zmniejsza ryzyko porażenia prądem.
- ## 3) BEZPIECZEŃSTWO OSOBISTE
- a) **Podczas pracy narzędziem należy zachowywać czujność, patrzeć, co się robi i kierować się zdrowym rozsądkiem. Nie należy używać elektronarzędzia, gdy użytkownik jest zmęczony, albo pod wpływem narkotyków, alkoholu lub leków.** Chwila nieuwagi w czasie posługiwania się elektronarzędziami może spowodować poważne obrażenia.
- b) **Należy używać środków ochrony osobistej. Należy zawsze nosić okulary ochronne.** Stosowanie w odpowiednich warunkach sprzętu ochronnego takiego jak np. maska przeciwpyłowa, obuwie ochronne z podeszwami antypoślizgowymi, kask lub ochronniki słuchu zmniejszy ewentualne obrażenia.
- c) **Nie należy dopuszczać do przypadkowego włączenia. Należy pilnować, aby przed podłączeniem narzędzia do zasilania i/lub baterii akumulatorowej oraz przed podniesieniem i przeniesieniem przełącznik był ustawiony w pozycji „wyłączone”.** Trzymanie palca na przełączniku włączającym w czasie przenoszenia elektronarzędzi lub podłączanie ich do zasilania, gdy przełącznik ustawiony jest w pozycji „włączone”, może doprowadzić do wypadku.
- d) **Przed włączeniem elektronarzędzia należy usunąć wszystkie klucze regulacyjne i inne narzędzia.** Klucz zaczepiony o obracającą się część elektronarzędzia może spowodować obrażenia.
- e) **Nie należy sięgać za daleko. Należy zawsze dbać**

- o utrzymanie równowagi i pewne podparcie nóg.** W nieprzewidywanych sytuacjach zapewnia to lepszą kontrolę nad elektronarzędziem.
- f) **Należy nosić odpowiednią odzież. Nie powinno się nosić luźnych ubrań ani biżuterii. Włosy i odzież należy trzymać w bezpiecznej odległości od poruszających się części.** Luźne ubrania, biżuteria lub długie włosy mogą zaczepić się o poruszające się części.
- g) **Jeżeli urządzenie jest przystosowane do podłączenia do odsysacza pyłu i urządzenia zbierającego, należy dopilnować, aby systemy te były podłączone i właściwie stosowane.** Używanie systemów służących do pochłaniania pyłu może zmniejszyć zagrożenia związane z pyłem.
- h) **Nie wolno dopuścić do tego, aby poczucie znajomości narzędzia wynikające z jego częstego używania doprowadziło do lekceważenia i ignorowania zasad bezpieczeństwa.** Jedno lekkomyślne działanie może w ułamku sekundy doprowadzić do ciężkich urazów.
- ## 4) UŻYWANIE I KONSERWOWANIE ELEKTRONARZĘDZI
- a) **Elektronarzędzia nie należy forsować. Należy używać narzędzia dostosowanego do wykonywanej pracy.** Odpowiednie narzędzie elektryczne wykona pracę lepiej i bezpieczniej, gdy pozwoli mu się pracować z prędkością/obrotami do jakich zostało zaprojektowane.
- b) **Nie należy używać elektronarzędzia, jeżeli przełącznik zasilania nie włącza go lub nie wyłącza.** Elektronarzędzie, którego nie da się kontrolować przełącznikiem, jest potencjalnie niebezpieczne i wymaga naprawy.
- c) **Przed przystąpieniem do regulacji elektronarzędzia oraz przed wymianą akcesoriów lub odłożeniem narzędzia na miejsce, należy odłączyć je od zasilania i/lub wyjąć akumulator.** Tego typu zapobiegawcze środki ostrożności zmniejszają ryzyko przypadkowego włączenia się elektronarzędzia.
- d) **Nieużywane elektronarzędzia należy przechowywać w miejscu niedostępnym dla dzieci. Osobom, które nie znają narzędzia lub nie zapoznały się z instrukcją nie należy pozwalać go używać.** W rękach nieprzeszkolonych użytkowników elektronarzędzia mogą stanowić zagrożenie.
- e) **Elektronarzędzia i akcesoria należy utrzymywać w dobrym stanie. Należy kontrolować, czy części ruchome nie są odchyłone od osi, nie zacinają się i nie są pęknięte lub uszkodzone w inny sposób, który mógłby wpłynąć na działanie elektronarzędzia.** W razie uszkodzenia, przed użyciem narzędzie należy oddać do naprawy. Wiele wypadków wynika ze złej konserwacji elektronarzędzi.
- f) **Należy dbać o czystość i naostrzenie narzędzi tnących.** Odpowiednio utrzymane narzędzia tnące z ostrymi krawędziami tnącymi są mniej narażone na zakleszczanie się i łatwiej jest je kontrolować.
- g) **Elektronarzędzi, akcesoriów, wiertel, bitów, itp. należy używać zgodnie z niniejszą instrukcją, z uwzględnieniem warunków i rodzaju wykonywanej pracy.** Korzystanie z elektronarzędzi niezgodnie z przeznaczeniem może prowadzić do niebezpiecznych sytuacji.
- h) **Należy dbać o to, aby uchwyt i powierzchnie**

do trzymania były suche, czyste i niezaplamione olejem lub smarem. Śliskie uchwyty nie pozwalają w bezpieczny sposób kontrolować narzędzia w nieprzewidywanych sytuacjach.

#### 5) UŻYWANIE I KONSERWOWANIE NARZĘDZI AKUMULATOROWYCH

- a) **Do ładowania należy używać wyłącznie ładowarki wskazanej przez producenta.** Użycie ładowarki pochodzącej od jednego akumulatora do ładowania innego akumulatora grozi pożarem.
  - b) **Elektronarzędzi należy używać wyłącznie z dedykowanymi do nich akumulatorami.** Użycie jakichkolwiek innych akumulatorów grozi obrażeniami i pożarem.
  - c) **Jeżeli akumulator nie jest używany, należy go przechowywać z dala od innych przedmiotów metalowych, np. spinaczy, monet, kluczy, gwoździ, śrub i innych drobnych przedmiotów metalowych, które mogłyby spowodować zwarcie wyprowadzeń akumulatora.** Zwarcie wyprowadzeń akumulatora może doprowadzić do oparzeń lub pożaru.
  - d) **W niesprzyjających warunkach może dojść do wycieku cieczy z akumulatora. Należy wtedy unikać wszelkiego kontaktu z tą cieczą. W razie przypadkowego kontaktu ze skórą, zabrudzone miejsca należy obficie przemyć wodą. Jeżeli płyn dostanie się do oczu, należy dodatkowo zasięgnąć porady lekarza.** Płyn wyciekający z akumulatora może powodować podrażnienie lub oparzenia.
  - e) **Nie należy używać akumulatorów lub narzędzi, które są uszkodzone lub zostały poddane przeróbkom.** Uszkodzone lub zmodyfikowane akumulatory mogą zachowywać się w sposób nieprzewidywalny, co może doprowadzić do pożaru lub wybuchu lub stwarzać ryzyko urazów.
  - f) **Nie należy narażać akumulatora lub narzędzia na kontakt z ogniem lub zbyt wysokimi temperaturami.** Ogień lub temperatury przekraczające 130°C mogą doprowadzić do wybuchu.
  - g) **Należy przestrzegać wszystkich instrukcji ładowania. Nie należy ładować akumulatora lub narzędzia poza przedziałem temperatur podanym w instrukcji.** Ładowanie w sposób nieprawidłowy lub w temperaturze wykraczającej poza określony zakres może doprowadzić do uszkodzenia akumulatora i zwiększa ryzyko pożaru.
- #### 6) SERWISOWANIE
- a) **Serwisowanie elektronarzędzia należy powierzać wykwalifikowanemu serwisantowi, a do naprawy używać wyłącznie części zamiennych identycznych z oryginalnymi.** Zapewni to bezpieczeństwo eksploatacji elektronarzędzia.
  - b) **Uszkodzonych akumulatorów nie należy nigdy naprawiać.** Jakiegokolwiek czynności serwisowe przy akumulatorach powinny być wykonywane wyłącznie przez producenta lub pracowników autoryzowanego serwisu.

#### INSTRUKCJE DOTYCZĄCE UŻYWANIA MŁOTOWIERTAREK AKUMULATOROWYCH

- **Należy zakładać ochronniki słuchu.** Hałas może doprowadzić do utraty słuchu.

- **O ile narzędzie jest w nie wyposażone, należy używać uchwytów pomocniczych.** Utrata kontroli nad narzędziem może doprowadzić do urazów.
- **Podczas wykonywania prac, przy których narzędzie robocze mogłoby natrafić na ukryte przewody elektryczne, elektronarzędzie należy trzymać za izolowane powierzchnie uchwytów** (dotknięcie końcówką tnącą przewodu pod napięciem może spowodować, że przez nieizolowane elementy metalowe narzędzia popłynie prąd, co grozi operatorowi porażeniem)

#### INSTRUKCJE DOTYCZĄCE BEZPIECZEŃSTWA UŻYWANIA DŁUGICH WIERTŁ W MŁOTOWIERTARKACH

- **Należy zawsze rozpoczynać wiercenie na niskich obrotach z czubkiem wiertła dotykającym nawiercanego elementu.** Na wyższych obrotach, jeśli pozwoli mu się swobodnie się kręcić bez dotykania nawiercanego elementu, wiertło może się skrzywić, co może doprowadzić do urazów.
- **Narzędzie można dociskać tylko w kierunku wyznaczonym przez wiertło, nie należy go jednak naciskać zbyt mocno.** Wiertła mogą się wygiąć, co może spowodować ich złamanie się, utratę kontroli nad narzędziem i w konsekwencji urazy.

#### KWESTIE OGÓLNE

- **Nie należy obrabiać materiału zawierającego azbest** (azbest jest rakotwórczy)
- **Narzędzia nie powinny używać osoby w wieku poniżej 16 roku życia**
- **Pył pochodzący z takich materiałów, jak farby zawierające ołów, niektóre gatunki drzewa, minerały i metal może być szkodliwy** (kontakt z nim lub wdychanie takiego pyłu może powodować reakcje alergiczne i/lub niewydolność oddechową u operatora lub osób towarzyszących); **należy zakładać maskę przeciwpyłową i pracować z urządzeniem odsysającym, o ile można je podłączyć**
- **Niektóre rodzaje pyłu są sklasyfikowane jako rakotwórcze** (takie, jak pył dębu i buka) szczególnie w połączeniu z dodatkami do kondycjonowania drewna; **należy zakładać maskę przeciwpyłową i pracować z urządzeniem odsysającym pył, o ile można je podłączyć**
- **Należy stosować się do lokalnych wymogów dotyczących pracy w otoczeniu pyłu powstającego podczas obróbki materiału**

#### PRZED UŻYCIEM

- **Należy unikać uszkodzeń, jakie mogą być spowodowane śrubami, gwoździami i innymi elementami znajdującymi się w obrabianym przedmiocie; przed rozpoczęciem pracy należy je usunąć**
- **Obrabiany element należy zamocować** (obrabiany element umieszczony w zaciskach lub imadle jest utrzymywany bezpieczniej niż w ręku)
- **Aby wykręć ukryte przewody zasilające należy używać stosownych detektorów lub porozumieć się z miejscowym zakładem energetycznym** (kontakt z przewodami elektrycznymi może doprowadzić do pożaru i porażenia prądem; uszkodzenie przewodu gazowego może doprowadzić do wybuchu; uszkodzenie przewodów instalacji wodociągowej powoduje szkody rzeczowe i może spowodować porażenie prądem)

- Przed regulacją elektronarzędzia, wymianą osprzętu, w czasie transportu lub podczas przechowywania należy pilnować, aby przełącznik kierunku obrotów B ② znajdował się w pozycji środkowej (blokada).
- Należy zdawać sobie sprawę z sił, jakie powstają w wyniku zakleszczenia (szczególnie podczas wiercenia w metalu); **należy zawsze używać uchwytu pomocniczego J** i przyjmować bezpieczną postawę

#### AKCESORIA

- Firma SKIL może zagwarantować bezawaryjne działanie narzędzia tylko pod warunkiem korzystania z oryginalnych akcesoriów
- Należy używać tylko akcesoriów, których dopuszczalna prędkość pracy jest co najmniej tak wysoka jak maksymalna prędkość urządzenia bez obciążenia

#### PO UŻYCIU

- Przed odłożeniem narzędzia należy wyłączyć silnik i odczekać do całkowitego zatrzymania się wszystkich części

#### AKUMULATORY

- **Dostarczony akumulator jest częściowo naładowany** (aby zapewnić pełne naładowanie akumulatora, przed użyciem elektronarzędzia po raz pierwszy akumulator należy całkowicie naładować ładowarką)
- **Do narzędzia należy stosować wyłącznie poniższe akumulatory i ładowarki**
  - Akumulator SKIL: BR1\*31\*\*\*\*
  - Ładowarka SKIL: CR1\*31\*\*\*\*
- Uszkodzony akumulator należy natychmiast wymienić, nie wolno go używać do pracy
- Zabrania się rozmontowywania akumulatora
- Narzędzie/akumulator należy chronić przed deszczem
- Dopuszczalna temperatura otoczenia (narzędzie/ładowarka/akumulator):
  - podczas ładowania 4...40°C
  - podczas pracy -20...+50°C
  - podczas przechowywania -20...+50°C

#### OBJAŚNIENIE SYMBOLI NA NARZĘDZIU/

##### AKUMULATORZE

- ③ Przed użyciem należy przeczytać instrukcję
- ④ Akumulatory w kontakcie z ogniem mogą eksplodować, więc nie wolno ich pod żadnym pozorem spalać
- ⑤ Narzędzie/ładowarkę/akumulator należy zawsze przechowywać w miejscach o temperaturze nie przekraczającej 50°C
- ⑥ Narzędzi elektrycznych oraz baterii/akumulatorów nie należy wyrzucać razem ze zwykłymi śmieciami z gospodarstw domowych

## UŻYTKOWANIE

- Ładowanie akumulatora
  - ! **prosimy przeczytać ostrzeżenia dotyczące bezpieczeństwa oraz instrukcje dostarczone wraz z ładowarką**
- Wymijowanie/zakładanie akumulatora ②
- Wskaźnik poziomu naładowania akumulatora ⑦
  - Aby wyświetlić aktualny poziom naładowania akumulatora ⑦a, należy nacisnąć przycisk wskaźnika poziomu naładowania akumulatora G
  - ! **gdy po wciśnięciu przycisku G ⑦b najniższy wskaźnik poziomu naładowania akumulatora zaczyna migać, wówczas oznacza to, że akumulator jest rozładowany**
  - ! **gdy po wciśnięciu przycisku G ⑦c zaczną migać**

**2 wskaźniki poziomu naładowania akumulatora, wówczas oznacza to, że temperatura akumulatora nie mieści się w dozwolonym przedziale pracy**

- System ochrony akumulatora
  - Narzędzie nagle wyłącza się lub nie można go wyłączyć, gdy
    - **obciążenie jest zbyt duże** -> należy usunąć obciążenie i włączyć narzędzie ponownie
    - **temperatura akumulatora jest poza dopuszczalnym zakresem wynoszącym od -20 do 50°C** -> po naciśnięciu przycisku G ⑦c zaczną migać 2 paski poziomu energii akumulatora na wskaźniku; należy poczekać, aż temperatura akumulatora powróci do dopuszczalnego zakresu pracy
    - **akumulator jest prawie całkowicie rozładowany (zabezpieczenie przed głębokim rozładowaniem)** -> naciśnięcie przycisku G powoduje wyświetlenie się na wskaźniku oznaczenia niskiego poziomu naładowania akumulatora lub miganie paska niskiego poziomu akumulatora ⑦b; należy naładować akumulator
  - ! **po automatycznym wyłączeniu narzędzia należy nacisnąć włącznika („wł./wyt.”), ponieważ może to spowodować uszkodzenie akumulatora**
- Zmiana kierunku obrotów ⑧
  - Jeśli przełącznik w lewo/prawo zostanie ustawiony w niewłaściwej pozycji, przełącznik B ② będzie zablokowany
  - ! **kierunek obrotów można zmieniać tylko wtedy, gdy narzędzie jest całkowicie zatrzymane**
- Zakładanie i wyjmowanie wiertel ⑨a & ⑨b
  - ! **przed założeniem osprzętu SDS+ należy go wyczyścić i lekko nasmarować**
  - włożyć osprzęt w uchwycie SDS+ jednocześnie obracając go i wciskając aż do zetknięcia; osprzęt zostanie automatycznie zablokowany
  - pociągnąć osprzęt, aby sprawdzić czy jest prawidłowo zablokowany
  - wysunąć osprzęt pociągając tulejkę blokującą D do siebie
  - ! **zgodnie z zasadą mocowania SDS+ osprzęt po wsunięciu do uchwytu powinien mieć możliwość niewielkiego poruszania się; w skutek tego w biegu luzem powstaje bicie promieniowe, które zanika w momencie rozpoczynania wiercenia i wiertło centruje się samoczynnie; nie zmniejsza to w żadnym stopniu dokładności wierzonego otworu**
  - ! **nie używać bitów ze zniszczonym trzonkiem**
- Włącznik/wyłącznik ⑩ ze sterowaniem prędkości obrotowej ⑪
  - zmieniając stopień nacisku na przycisk włącznika/wyłącznika można bezstopniowo sterować prędkością w zakresie od zera do prędkości maksymalnej
- Wybór trybu pracy ⑫
  - przekręcić przełącznik C na odpowiedni tryb pracy, do momentu jego zatrzaśnięcia
    - 1 = normalne wiercenie/wkręcanie
    - 2 = wiercenie z udarem
    - 3 = dłutowanie z wirującym dłutem
    - 4 = dłutowanie z ustaloną pozycją dłuta
  - ! **tryb pracy można wybierać tylko wtedy, gdy narzędzie jest wyłączone, a akumulator jest wyjęty**

- udar elektropneumatyczny uruchamiany jest w momencie wywarcia niewielkiego nacisku na wiertło przy jego zetknięciu się z powierzchnią obrabianego materiału
- udar elektropneumatyczny osiąga pełną moc po krótkim okresie czasu
- optymalną wydajność wiercenia z udarem elektropneumatycznym osiąga się poprzez wywieranie tylko nieznacznego nacisku na wiertło; zwiększenie nacisku nie zwiększa wydajności wiercenia
- Dłutowanie z ustaloną pozycją dłuta <sup>13</sup>  
**! wyłączyć narzędzie i wyjąć akumulator**
  - wybrać tryb dłutowania "wirującego"
  - umieścić dłuto w żądanej pozycji
  - wybrać tryb dłutowania z ustaloną pozycją dłuta
- Lampka LED <sup>14</sup>
  - Włączenie przełącznika B powoduje zaświecenie się lampki LED E
  - ! miganie lampki LED oznacza, że włączył się system ochrony akumulatora (patrz powyżej)**
- Trzymanie i prowadzenie narzędzia <sup>15</sup>  
**! podczas pracy należy zawsze trzymać narzędzie za uchwyt(y) w kolorze szarym**
  - **należy zawsze korzystać z pomocniczy uchwytu J** (istnieje możliwość regulacji, tak jak przedstawiono na rysunku) <sup>16</sup>
  - szczeliny wentylacyjne F<sup>2</sup> nie mogą być zasłonięte
  - nie należy przyciskać narzędzia zbyt mocno; należy pozwolić mu pracować
- Ustawianie głębokości wiercenia <sup>17</sup>

## WSKAZÓWKI DOTYCZĄCE UŻYTKOWANIA

- Należy używać odpowiednich wiertel <sup>18</sup>  
**! należy używać tylko ostrych wiertel**
- Do wiercenia za pomocą wiertel innych niż SDS w drewnie, metalu i plastiku należy użyć adaptera (adapter do dokupienia nie jest dostępny standardowo) <sup>19</sup>  
**! przed założeniem osprzętu SDS+ należy go wyczyścić i lekko nasmarować**
  - pociągnąć do siebie tuleję blokującą D i umieścić adapter w uchwycie SDS+ jednocześnie obracając go i wciskając aż do zetknięcia; adapter zostanie automatycznie zablokowany
  - pociągnąć adapter, aby sprawdzić czy jest prawidłowo zablokowany
  - ustawić przełącznik C na normalne wiercenie (włączy tylko wówczas przy wyłączonym urządzeniu i gdy jest zablokowany)
- Wiercenie otworów w metalach, w skład których wchodzi żelazo
  - podczas wiercenia dużych otworów należy wstępnie wywiercić mały otwór
  - od czasu do czasu naoliwić wiertło
- W celu uniknięcia rozwarstwiania przedmiotów drewnianych przy wkręcaniu wkrętów na brzegu należy otwór odpowiednio nawiercić
- Wiercenie w przedmiotach drewnianych bez uszkodzenia krawędzi otworu <sup>20</sup>
- Bezpyłowe wiercenie w ścianach <sup>21</sup>
- Bezpyłowe wiercenie w sufitach <sup>22</sup>
- Wiercenie bez poślizgu w płytkach ceramicznych <sup>23</sup>
- Więcej informacji można znaleźć pod adresem

## KONSERWACJA/SERWISOWANIE

- Narzędzie nie jest przeznaczone do zastosowań profesjonalnych
- Należy zawsze dbać o czystość narzędzia (a szczególnie szczelin wentylacyjnych F<sup>2</sup>)  
**! przed rozpoczęciem czyszczenia należy wyjąć z narzędzia akumulator**
- Jeśli narzędzie, mimo dokładnej i wszechstronnej kontroli produkcyjnej ulegnie kiedykolwiek awarii, naprawę powinien przeprowadzić autoryzowany serwis elektronarzędzi firmy SKIL
  - nierozebrałe narzędzie należy odesłać, wraz z dowodem zakupu, do swojego sprzedawcy lub do najbliższego punktu serwisowego SKIL (adresy oraz schemat serwisowy narzędzia są podane na stronie [www.skil.com](http://www.skil.com))
- Prosimy pamiętać, że uszkodzenia spowodowane przeciążeniem lub niewłaściwym użytkowaniem narzędzia nie podlegają gwarancji (warunki gwarancji SKIL znajdują się na [www.skil.com](http://www.skil.com), ewentualnie można też zapytać swojego dystrybutora)

## ŚRODOWISKO

- **Elektonarzędzi, akumulatorów, akcesoriów i opakowania nie należy wyrzucać razem z odpadami z gospodarstw domowych** (dotyczy tylko państw UE)
  - zgodnie z Europejską Dyrektywą 2012/19/WE w sprawie zużytego sprzętu elektrotechnicznego i elektronicznego oraz dostosowaniem jej do prawa krajowego, zużyte elektronarzędzia należy posegregować i zutylizować w sposób przyjazny dla środowiska
  - w przypadku potrzeby pozbycia się narzędzia, akcesoriów i opakowania - przypomni Ci o tym symbol <sup>6</sup>
- ! aby nie dopuścić do zwarcia, przed utylizacją należy zabezpieczyć wyprowadzenia akumulatora grubą taśmą**

## HAŁAS / WIBRACJE

- Poziom ciśnienia akustycznego narzędzia zmierzony zgodnie z normą EN62841 wynosi 93,4 dB(A), poziom mocy akustycznej wynosi 104,4 dB(A) (niepewność K = 3 dB), a drgania\* (sumy wektorowe przyspieszeń mierzone czujnikiem triax; niepewność K = 1,5 m/s<sup>2</sup>)
  - \* podczas wiercenia udarowego w betonie 16,2 m/s<sup>2</sup>
  - \* podczas dłutowania 12,8 m/s<sup>2</sup>
- Poziom emisji drgań został zmierzony zgodnie z testem standaryzowanym podanym w EN62841; może on służyć do porównania jednego narzędzia z innym i jako ocena wstępna narażenia na wibracje w trakcie używania narzędzia do wymienionych zadań
  - używanie narzędzia do innych zastosowań, lub z innymi albo źle utrzymanymi akcesoriami, może znacząco **zwiększyć** poziom ekspozycji
  - przypadki, kiedy narzędzie jest wyłączone lub pracuje, ale aktualnie nie wykonuje zadania, mogą znacząco **zmniejszyć** poziom narażenia
- ! należy chronić się przed skutkami wibracji przez konserwację narzędzia i jego akcesoriów, dbanie o ciepło dłoni i właściwą organizację pracy**

## Бесщеточный аккумуляторный перфоратор

3851

предусмотренных изготовителем для продукции, могут входить настоящее руководство по эксплуатации, а также приложения.

Информация о подтверждении соответствия содержится в приложении.

### Срок службы изделия

Срок службы изделия составляет 7 лет. Не рекомендуется к эксплуатации по истечении 5 лет хранения с даты изготовления без предварительной проверки (дату изготовления см. на этикетке).

### Перечень критических отказов и ошибочные действия персонала или пользователя

- не использовать с поврежденной рукояткой или поврежденным защитным кожухом
- не использовать при появлении дыма непосредственно из корпуса изделия
- не использовать с перебитым или оголенным электрическим кабелем
- не использовать на открытом пространстве во время дождя (в распыляемой воде)
- не включать при попадании воды в корпус
- не использовать при сильном искрении
- не использовать при появлении сильной вибрации

### Критерии предельных состояний

- перетёрт или повреждён электрический кабель
- повреждён корпус изделия

### Тип и периодичность технического обслуживания

Рекомендуется очистить инструмент от пыли после каждого использования.

### Хранение

- необходимо хранить в сухом месте
- необходимо хранить вдали от источников повышенных температур и воздействия солнечных лучей
- при хранении необходимо избегать резкого перепада температур
- хранение без упаковки не допускается
- подробные требования к условиям хранения смотрите в ГОСТ 15150 (Условие 1)

### Транспортировка

- категорически не допускается падение и любые механические воздействия на упаковку при транспортировке
- при разгрузке/погрузке не допускается использование любого вида техники, работающей по принципу зажима упаковки
- подробные требования к условиям транспортировки смотрите в ГОСТ 15150 (Условие 5)

### ВНИМАНИЕ!

**В случае возникновения перебоа в работе электроинструмента вследствие полного или частичного прекращения энергоснабжения или**

**повреждения цепи управления энергоснабжением установите выключатель в положение Выкл., убедившись, что он не заблокирован (при его наличии) и отключите сетевую вилку от розетки или отсоедините съёмный аккумулятор (этим предотвращается неконтролируемый повторный запуск)**

## ВВЕДЕНИЕ

- Этот инструмент предназначен для ударного сверления бетона, кирпича и камня, а также сверления дерева, металла, керамики и пластмассы. Кроме того, инструменты с электронной системой регулировки скорости и двусторонним вращением (вправо и влево) пригодны для закручивания/выкручивания шурупов и нарезания резьбы.
- При сверлении бетона ударная система в данном инструменте превосходит все традиционные храповые механизмы сверления.
- Данный инструмент предназначен для использования со всеми стандартными принадлежностями SDS+.
- Этот инструмент не предназначен для профессионального использования.
- Если какой-либо компонент отсутствует или поврежден, свяжитесь с поставщиком.
- **Перед использованием устройства внимательно ознакомьтесь с данной инструкцией и сохраните ее для последующего использования.** ③
- **Обратите особое внимание на инструкции по технике безопасности и предупреждения — их несоблюдение может привести к серьезным травмам.**

## ТЕХНИЧЕСКИЕ ХАРАКТЕРИСТИКИ ①

### СТРАНА ИЗГОТОВЛЕНИЯ

Сделано в Китае

### КОМПОНЕНТЫ УСТРОЙСТВА ②

- A** Переключатель выбора направления (вперед/блокировка/реверс)
- B** Переключатель для включения/выключения и регулировки скорости
- C** Переключатель режима работы
- D** Стопорная муфта
- E** Светодиодная подсветка
- F** Вентиляционные отверстия
- G** Кнопка индикатора уровня заряда аккумулятора
- H** Ограничитель глубины
- J** Вспомогательная рукоятка

## БЕЗОПАСНОСТЬ

### ОБЩИЕ ПРАВИЛА ТЕХНИКИ БЕЗОПАСНОСТИ ПРИ РАБОТЕ С ЭЛЕКТРОИНСТРУМЕНТАМИ

**⚠ ПРЕДУПРЕЖДЕНИЕ** Прочитайте все правила безопасности, инструкции, иллюстрации и спецификации, прилагаемые к этому электроинструменту. Невыполнение изложенных ниже инструкций может привести к поражению электрическим током, пожару и (или) тяжелым травмам.



**Сохраните все предупреждения и инструкции для использования в будущем.**

Термин «электроинструмент» в предупреждениях означает электрический инструмент с питанием от сети (с кабелем) или электрический инструмент с питанием от аккумулятора (без кабеля).

**1) БЕЗОПАСНОСТЬ РАБОЧЕГО МЕСТА**

- a) **Обеспечьте чистоту и освещенность рабочего места.** Загроможденные и плохо освещенные места служат причиной несчастных случаев.
- b) **Не используйте электроинструменты во взрывоопасных местах, например вблизи горючих жидкостей, газов или пыли.** Электроинструменты генерируют искры, которые могут воспламенить пыль или испарения.
- c) **Не позволяйте детям и посторонним находиться вблизи работающего электроинструмента.** Отвлекающие факторы могут привести к потере контроля.

**2) ЭЛЕКТРОТЕХНИЧЕСКАЯ БЕЗОПАСНОСТЬ**

- a) **Вилка электроинструмента должна соответствовать розетке. Никогда не переделывайте вилку. Не используйте никакие переходники для вилок электроинструментов с заземлением.** Использование оригинальных вилок и соответствующих им розеток уменьшает риск поражения электрическим током.
- b) **Избегайте прикосновений к заземленным объектам, таким как трубы, радиаторы, плиты и холодильники.** Риск поражения электрическим током выше, когда тело заземлено.
- c) **Не подвергайте электроинструменты воздействию дождя или влаги.** При попадании воды в электроинструмент увеличивается риск поражения электрическим током.
- d) **Обращайтесь с кабелем аккуратно. Никогда не переносите, не тяните и не выключайте электроинструмент за кабель. Держите кабель подальше от источников тепла, масла, острых предметов и движущихся частей.** Поврежденные или запутанные кабели повышают риск поражения электрическим током.
- e) **Для работы с электроинструментом вне помещения используйте предназначенный для этого удлинительный кабель.** Использование кабеля, подходящего для использования вне помещения, снижает риск поражения электрическим током.
- f) **Если использование электроинструмента в сыром помещении неизбежно, подключайте его через устройство защитного отключения (УЗО).** Использование УЗО снижает риск поражения электрическим током.

**3) ЛИЧНАЯ БЕЗОПАСНОСТЬ**

- a) **При использовании электроинструмента будьте бдительны, следите за своими действиями и следуйте здравому смыслу. Не пользуйтесь электроинструментом, если вы устали или находитесь под воздействием наркотиков, алкоголя или медикаментов. Даже кратковременная невнимательность при работе с**

электроинструментом может привести к тяжелым травмам.

- b) **Используйте средства индивидуальной защиты. Всегда используйте защитные средства для глаз.** Использование защитного оборудования, такого как противопылевая маска, нескользкая предохранительная обувь, жесткая каска или устройства защиты органов слуха в соответствующих условиях уменьшает риск травмирования.
  - c) **Не допускайте случайного запуска инструмента. Перед подключением электроинструмента к сети питания (или аккумулятору) и перед его переносной убедитесь, что выключатель находится в выключенном положении.** Не держите палец на выключателе при переноске электроинструментов и не включайте вилку в розетку, если электроинструмент включен. Это может привести к несчастному случаю.
  - d) **Перед включением электроинструмента снимите с него регулировочные инструменты и гаечные ключи.** Регулировочный инструмент или гаечный ключ, оставленный на вращающейся части электроинструмента, может стать причиной травмы.
  - e) **Не тянитесь. Всегда сохраняйте устойчивое положение и равновесие.** Это позволит лучше контролировать электроинструмент в непредвиденных ситуациях.
  - f) **Одевайтесь надлежащим образом. Не надевайте свободную одежду и украшения. Держите волосы и одежду подальше от движущихся частей.** Свободная одежда, украшения и длинные волосы могут попасть в движущиеся части.
  - g) **пыли убедитесь, что они подключены и правильно работают.** Использование пылеулавливающих устройств снижает вред, причиняемый пылью.
  - h) **Не допускайте небрежности, которая может возникнуть из-за частого использования инструмента и повлечь за собой самоуверенность и игнорирование правил безопасности.** Неосторожное действие может причинить серьезную травму за доли секунды.
- 4) ИСПОЛЬЗОВАНИЕ И ОБСЛУЖИВАНИЕ ЭЛЕКТРОИНСТРУМЕНТА**
- a) **Не прикладывайте к электроинструменту чрезмерных усилий. Используйте подходящий для ваших задач электроинструмент.** Правильно выбранный электроинструмент более эффективен и безопасен при номинальной нагрузке.
  - b) **Не используйте электроинструмент, если его выключатель неисправен.** Электроинструменты с неисправным выключателем опасны и подлежат ремонту.
  - c) **Перед регулировкой, сменой аксессуаров или хранением отключите электроинструмент от сети питания и (или) извлеките аккумулятор, если это возможно.** Такие меры предосторожности снижают риск случайного запуска электроинструмента.
  - d) **Храните неиспользуемые электроинструменты в местах, недоступных для детей, и не доверяйте электроинструмент лицам, не знакомым с ним и с этими инструкциями.** Электроинструменты

- опасны в руках неподготовленных пользователей.
- e) **Выполняйте техническое обслуживание электроинструментов и принадлежностей. Проверьте выравнивание и сцепление подвижных деталей, наличие поломок и прочие условия, которые могут повлиять на работу электроинструмента. Если электроинструмент поврежден, перед использованием его необходимо отремонтировать.** Недостаточный уход за электроинструментом является причиной многих несчастных случаев.
- f) **Храните режущие инструменты в чистоте и заточенном состоянии.** Правильно обслуживаемые и хорошо заточенные режущие инструменты меньше заклинивают и лучше контролируются.
- g) **Используйте электроинструмент, аксессуары, насадки и т. п. в соответствии с этими инструкциями, учитывая условия и специфику выполняемой работы.** Использование электроинструмента для выполнения непредусмотренных операций может привести к опасным ситуациям.
- h) **Следите за тем, чтобы рукоятки и поверхности захвата были сухими и чистыми и на них не было масла или смазочного материала.** Скользкие рукоятки и поверхности захвата не позволяют безопасно использовать инструмент и контролировать его в непредвиденных ситуациях.
- 5) **ЭКСПЛУАТАЦИЯ И ОБСЛУЖИВАНИЕ ИНСТРУМЕНТА С ПИТАНИЕМ ОТ АККУМУЛЯТОРА**
- a) **Заряжайте аккумуляторы только с помощью зарядного устройства, указанного изготовителем.** Зарядное устройство, предназначенное для одного типа аккумуляторных батарей, может стать причиной пожара при использовании с другим типом батарей.
- b) **Используйте электроинструмент только со специально предназначенными для него аккумуляторами.** Использование любого другого вида аккумуляторных батарей может стать причиной несчастных случаев или пожара.
- c) **Когда аккумулятор не используется, храните его отдельно от металлических предметов — канцелярских скрепок, монет, ключей, гвоздей, винтов и др. — они могут соединить контакты.** Короткое замыкание контактов аккумуляторной батареи может стать причиной ожогов или пожара.
- d) **При неблагоприятных обстоятельствах из аккумулятора может потечь электролит; избегайте контакта с ним. При случайном контакте промойте водой. Если жидкость попала в глаза, обратитесь к врачу.** Жидкость из аккумуляторной батареи может вызвать раздражение и ожоги.
- e) **Не используйте аккумулятор и инструмент, если они повреждены или подвергались модификациям.** Поведение поврежденных или модифицированных аккумуляторов может быть непредсказуемым, что приведет к возгоранию, взрыву и риску получения травм.
- f) **Не подвергайте аккумуляторную батарею и инструмент воздействию огня и высокой температуры.** Воздействие огня или температуры

выше 130 °C может привести к взрыву.

- g) **Следуйте всем инструкциям по зарядке и не заряжайте аккумулятор и инструмент при температуре, выходящей за пределы указанного диапазона.** Если зарядка выполняется неправильно или в условиях неподходящей температуры, это может привести к повреждению аккумулятора и возгоранию.
- 6) **РЕМОНТ**
- a) **Ремонт электроинструмента должен выполняться квалифицированным специалистом с использованием только идентичных запасных частей.** Это обеспечит безопасную работу электроинструмента.
- b) **Никогда не выполняйте обслуживание поврежденного аккумулятора.** Обслуживание аккумуляторов должно выполняться только производителем или в авторизованном сервисном центре.

#### **ПРАВИЛА ТЕХНИКИ БЕЗОПАСНОСТИ ПРИ РАБОТЕ С АККУМУЛЯТОРНЫМ ПЕРФОРАТОРОМ**

- **Используйте средства защиты органов слуха.** Воздействие шума может привести к потере слуха.
- **Используйте вспомогательные рукоятки, входящие в комплект инструмента.** Потеря контроля может привести к получению травмы.
- **При выполнении работ, в ходе которых режущий элемент может касаться скрытой электропроводки, держите электроинструмент за поверхности захвата с защитным покрытием.** Если режущий элемент коснется провода под напряжением, неизолированные металлические части электроинструмента могут также оказаться под напряжением, что приведет к поражению оператора электрическим током.

#### **ИНСТРУКЦИИ ПО ТЕХНИКЕ БЕЗОПАСНОСТИ ПРИ ИСПОЛЬЗОВАНИИ ДЛИННЫХ СВЕРЛ С ПЕРФОРАТОРАМИ**

- **Всегда начинайте сверление на низкой скорости, при этом конец сверла должен касаться заготовки.** При вращении с высокой скоростью без контакта с заготовкой сверло может согнуться, что приведет к травме.
- **Прикладывайте давление только по прямой линии относительно сверла и не давите слишком сильно.** Сверло может согнуться, что приведет к поломке, потере контроля и травмам.

#### **ОБЩИЕ ПОЛОЖЕНИЯ**

- **Не обрабатывайте материалы, содержащие асбест.** Асбест считается канцерогенным веществом.
- Данный инструмент не должен использоваться лицами младше 16 лет.
- Пыль от материалов, таких как краска с содержанием свинца, некоторые породы дерева, минералы и металлы, может быть вредна. Контакт с такой пылью или ее вдыхание может вызвать аллергические реакции и (или) болезнь органов дыхания у оператора или находящегося рядом лиц. **Надевайте респиратор и по возможности**

#### используйте пылеулавливающие устройства.

- Некоторые виды пыли классифицируются как канцерогенные (например, дубовая и буковая пыль), особенно в сочетании с добавками для кондиционирования древесины. **Надевайте респиратор и по возможности используйте пылеулавливающие устройства.**
- При работе с различными материалами следуйте национальным нормативным требованиям в отношении пыли.

#### ПЕРЕД ИСПОЛЬЗОВАНИЕМ

- Остерегайтесь винтов, гвоздей и прочих предметов в заготовке, уберите их перед началом работы.
- **Закрепите заготовку** (надежнее зафиксировать заготовку в зажимном устройстве или в тисках, чем удерживать ее рукой).
- **Для обнаружения скрытых коммуникаций используйте соответствующие детекторы или обратитесь за помощью в местное коммунальное предприятие.** Контакт с электропроводкой может привести к пожару или поражению электрическим током, повреждение газопровода может привести к взрыву, а повреждение водопровода может повлечь повреждение имущества или поражение электрическим током.
- Перед настройкой инструмента или заменой принадлежностей, а также при переноске и хранении инструмента убедитесь, что переключатель направления вращения В ② находится в центральном положении (заблокирован).
- Помните об усилении, которое оказывается на инструмент при заедании сверла (особенно при сверлении металла). **Обязательно используйте вспомогательную рукоятку J** и займите устойчивое положение.

#### ПРИНАДЛЕЖНОСТИ

- Компания SKIL может гарантировать безупречную работу инструмента только при использовании оригинальных принадлежностей.
- Используйте только такие насадки, допустимая скорость вращения которых по крайней мере равна самой высокой скорости работы устройства без нагрузки.

#### ПОСЛЕ ИСПОЛЬЗОВАНИЯ

- Прежде чем положить инструмент, выключите его и убедитесь, что все движущиеся части полностью остановились.

#### АККУМУЛЯТОРЫ

- **Аккумулятор поставляется частично заряженным.** Чтобы обеспечить полную емкость аккумулятора, перед первым использованием инструмента полностью зарядите аккумулятор с помощью зарядного устройства.
- **Используйте с этим инструментом только указанные далее аккумуляторы и зарядные устройства.**
  - Аккумулятор SKIL: BR1\*31\*\*\*\*
  - Зарядное устройство SKIL: CR1\*31\*\*\*\*
- Не используйте поврежденный аккумулятор, его необходимо немедленно заменить.
- Не разбирайте аккумулятор.
- Не оставляйте инструмент и аккумулятор под дождем.
- Допустимая температура окружающей среды

(инструмент/зарядное устройство/аккумулятор):

- при зарядке 4...40 °C
- при эксплуатации -20...+50 °C
- при хранении -20...+50 °C

#### ПОЯСНЕНИЯ К ОБОЗНАЧЕНИЯМ НА ИНСТРУМЕНТЕ И АККУМУЛЯТОРЕ

- ③ Перед использованием ознакомьтесь с инструкциями.
- ④ При попадании в огонь аккумулятор может взорваться. Ни в коем случае не сжигайте аккумуляторы.
- ⑤ Храните инструмент, зарядное устройство и аккумулятор в таких местах, где температура не превышает 50 °C.
- ⑥ Не выбрасывайте электроинструменты и аккумуляторы вместе с бытовыми отходами.

#### ИСПОЛЬЗОВАНИЕ

- Зарядка аккумулятора
  - ! **Ознакомьтесь с предупреждениями и инструкциями по технике безопасности, прилагаемыми к зарядному устройству.**
- Извлечение и установка аккумулятора ②
- Индикатор уровня заряда ⑦
  - Нажмите кнопку индикатора уровня заряда аккумулятора G, чтобы увидеть текущий уровень заряда ⑦а.
  - ! **Если после нажатия кнопки G ⑦b начинает мигать самый нижний индикатор уровня заряда, то аккумулятор разряжен.**
  - ! **Если после нажатия кнопки G ⑦c начинают мигать 2 уровня индикатора заряда, температура аккумулятора выходит за пределы допустимого диапазона рабочих температур.**
- Защита аккумулятора
  - Инструмент внезапно выключается или не включается, когда:
    - **нагрузка слишком высока** --> уменьшите нагрузку и выполните перезапуск;
    - **температура аккумулятора вышла за пределы допустимого диапазона рабочих температур от -20 до +50 °C** --> при нажатии кнопки G ⑦c начинают мигать 2 уровня индикатора уровня заряда. Дождитесь, пока температура аккумулятора вернется в допустимый диапазон рабочих температур;
    - **аккумулятор почти разряжен (для защиты от глубокого разряда)** --> низкий уровень заряда или мигающий низкий уровень заряда аккумулятора ⑦b отображается индикатором при нажатии кнопки G. Зарядите аккумулятор.
    - ! **В случае автоматического выключения инструмента не пытайтесь включить его снова, поскольку при этом может быть поврежден аккумулятор.**
- Изменение направления вращения ⑧
  - При неправильной установке в левое или правое положение переключатель B2 не может быть активирован.
  - ! **Изменяйте направление вращения только тогда инструмент полностью остановлен.**
- Установка и извлечение бит ⑨a и ⑨b

**! Перед установкой очистите принадлежность SDS+ и нанесите на нее немного смазки.**

- Вставьте принадлежность в патрон стандарта SDS+, поворачивая и проталкивая до фиксации. Принадлежность заблокируется автоматически.
- Потяните принадлежность и убедитесь, что она зафиксирована должным образом.
- Для извлечения принадлежности оттяните назад стопорную муфту D.

**! Для принадлежности стандарта SDS+ требуется свобода движения, поэтому она отклоняется от оси при отсутствии нагрузки на инструмент. Однако во время работы центрирование принадлежности выполняется автоматически без влияния на точность сверления.**

**! Не используйте биты с поврежденным хвостовиком.**

- Переключатель предназначен для включения/выключения ⑩ и регулировки скорости ⑪.
  - Скорость плавно регулируется от нуля до максимума путем уменьшения или увеличения давления на переключатель В.
- Выбор режима работы ⑫
  - Поверните переключатель С в нужное положение до щелчка.
    - 1 = нормальное сверление/закручивание
    - 2 = ударное сверление
    - 3 = долбление с помощью вращающегося долота
    - 4 = долбление с помощью зафиксированного долота

**! Выбирайте режим работы только при выключенном инструменте и извлеченном аккумуляторе.**

- Механизм ударного сверления активируется путем легкого нажатия на инструмент, когда кончик сверла касается заготовки.
- Механизм ударного сверления развивает максимальную мощность через несколько секунд.
- Для достижения оптимальных результатов ударного сверления слегка нажимайте на инструмент. Более сильное надавливание на инструмент не способствует улучшению результата сверления.
- Долбление с помощью зафиксированного долота ⑬
  - ! Выключите инструмент и извлеките аккумулятор.**
  - Выберите режим долбления с вращением.
  - Поместите долото в нужное положение.
  - Выберите режим долбления с фиксированным долотом.
- Светодиодная подсветка ⑭
  - Светодиодная подсветка Е автоматически включается при активации переключателя В.

**! Если светодиодная подсветка начинает мигать, активируется защита аккумулятора (см. выше).**

- Удержание и направление инструмента ⑮
  - ! Во время работы всегда держите инструмент за места правильного хвата, обозначенные серым цветом.**
  - Обязательно используйте вспомогательную рукоятку J (ее можно отрегулировать, как показано на рисунке) ⑯
  - Не закрывайте вентиляционные отверстия F②.

- Не прилагайте слишком больших усилий к инструменту, работайте спокойно.

- Регулировка глубины сверления ⑰

## СОВЕТЫ ПО ИСПОЛЬЗОВАНИЮ

- Используйте только надлежащие сверла ⑱.
  - ! Используйте только хорошо заточенные сверла.**
- Для сверления дерева, металла и пластика обычными сверлами (не SDS) используйте адаптер (не входит в стандартную комплектацию) ⑲
  - ! Перед установкой очистите принадлежность SDS+ и нанесите на нее немного смазки.**
  - Оттяните стопорную муфту D назад и вставьте адаптер в патрон SDS+, поворачивая и проталкивая до фиксации. Адаптер заблокируется автоматически.
  - Потяните адаптер и убедитесь, что он зафиксирован должным образом.
  - Установите переключатель С в режим обычного сверления (это можно делать только при выключенном инструменте и заблокированном переключателе).
- Сверление черных металлов
  - Если требуется большое отверстие, предварительно просверлите отверстие меньшего диаметра.
  - Смажьте сверло маслом.
- При вкручивании шурупа в торец или край деревянной поверхности предварительно просверлите отверстие, чтобы дерево не треснуло.
- Сверление по дереву без расщепления материала ⑳
- Беспыльное сверление стен ㉑
- Беспыльное сверление потолков ㉒
- Сверление кафеля без проскальзывания ㉓
- Дополнительную информацию см. на сайте [www.skil.com](http://www.skil.com)

## ТЕХНИЧЕСКОЕ ОБСЛУЖИВАНИЕ И УХОД

- Этот инструмент не предназначен для профессионального использования.
- Всегда содержите инструмент в чистоте, особенно вентиляционные отверстия F②.
  - ! Перед очисткой извлеките из инструмента аккумулятор.**
- Если несмотря на тщательность изготовления и испытаний инструмент выйдет из строя, его ремонт должен осуществляться в центре послепродажного обслуживания электроинструментов SKIL.
  - Отправьте инструмент в разобранном виде вместе с документом, подтверждающим покупку, вашему дилеру или в ближайший сервисный центр SKIL. Адреса и сервисная схема инструмента приведены на сайте [www.skil.com](http://www.skil.com).
- Имейте в виду, что на повреждения, вызванные перегрузкой или неправильным обращением с инструментом, гарантия не распространяется. Условия гарантии SKIL см. на сайте [www.skil.com](http://www.skil.com) или уточните у дилера.

## ЗАЩИТА ОКРУЖАЮЩЕЙ СРЕДЫ

- Не вибрасуйте електроінструменти, акумулятори, належності та упаковку разом з побутовими відходами (тільки для країн ЄС).
  - В відповідності з Європейською директивою 2012/19/ЄС про відходи електричного та електронного обладнання та її виконанням в відповідності з національними законодавствами електричні інструменти, відслуживши свій термін, повинні збиратися окремо та доставлятися на переробляюче підприємство, не наносяще шкоди навколишньому середовищу.
  - Символ  нагадує про це, коли виникне необхідність утилізації.
- ! Перед утилізацією акумулятора захистіть його клемми щільною ізоляційною стрічкою для запобігання короткого замикання.**

## УРОВЕНЬ ШУМА И ВИБРАЦИИ

- Згідно з вимірами в відповідності з стандартом EN62841 рівень звукового тиску даного інструмента становить 93,4 дБ (А), рівень звукової потужності 104,4 дБ (А) (похибка К = 3 дБ), а вібрація \* (сумарна трьохкомпонентна вібрація; похибка К = 1,5 м/с<sup>2</sup>).
  - \* При ударному свердленні бетону 16,2 м/с<sup>2</sup>
  - \* При долбленні 12,8 м/с<sup>2</sup>
  - Рівень вібрації був виміряний в відповідності з стандартизованим випробуванням, що міститься в EN 62841, і може використовуватися для порівняння одного інструмента з іншим, а також для попередньої оцінки впливу вібрації при використанні даного інструмента в вказаних цілях.
  - При використанні інструмента в інших цілях або з іншими або несправними належностями рівень вібрації може значно зрости.
  - Коли інструмент вимкнений або працює холосту, рівень вібрації може значно знизитися.
- ! Щоб захиститися від впливу вібрації, підтримуйте інструмент і його належності в справному стані, тримайте руки в теплі, а також правильно організовуйте робочий процес.**

UA

## Безітнковий бездротвий перфоратор

3851

### ВСТУП

- Пристрій призначений для ударного свердління по бетону, цеглі й природному каменю, а також для свердління по дереву, металу, кераміці та синтетичному матеріалу; прилад з електронною системою регулювання швидкості з правим та лівим обертанням придатний також для загвинчування та нарізання різьби
- Електропневматична система свердління з ударом цього інструмента, під час свердління бетону, перевершує по своїм параметрам усі традиційні

- ударні дрели
- Цей інструмент розроблений для використання в комбінації з усіма стандартними приладами SDS+
- Цей інструмент не придатний для промислового використання
- У разі відсутності чи пошкодження деталей просимо звертатися в магазин, де було придано інструмент
- **Перед використанням приладу уважно прочитайте цю інструкцію з експлуатації та збережіть її для подальшого використання** ③
- **Зверніть особливу увагу на правила і попередження з техніки безпеки; їх недотримання може призвести до серйозної травми**

## ТЕХНІЧНІ ДАНІ ①

### ЕЛЕМЕНТИ ІНСТРУМЕНТА ②

- A** Селектор напрямку обертання (вперед/центральний замок/назад)
- B** Вимикач для вкл/вкл та регулювання швидкості
- C** Вимикач для вибору режиму роботи
- D** Фіксувальна втулка
- E** Світлодіодний індикатор
- F** Вентиляційні отвори
- G** Індикатор рівня заряду акумулятора
- H** Обмежувач глибини свердління
- J** Додаткова ручка

## БЕЗПЕКА

### ЗАГАЛЬНІ ПОПЕРЕДЖЕННЯ ЩОДО ТЕХНІКИ БЕЗПЕКИ РОБОТИ З ЕЛЕКТРОІНСТРУМЕНТАМИ

**! ПОПЕРЕДЖЕННЯ.** Прочитайте всі попередження безпеки, інструкції, ілюстрації та характеристики, надані з цим електроінструментом. Недотримання наведених нижче вказівок може спричинити ураження електричним струмом, пожежу та/або серйозні травми.

**Зберігайте всі попередження та інструкції для використання в майбутньому.**

Термін «електроінструмент» у попередженнях стосується електричного інструмента, що працює від електромережі (через шнур) або від акумулятора (без шнура).

#### 1) БЕЗПЕКА В РОБОЧІЙ ЗОНІ

- a) **Робоче місце має бути чистим і гарно освітленим.** Неприбрана або погано освітлена робоча зона може стати причиною нещасного випадку.
  - b) **Не працюйте з інструментом у вибухонебезпечному середовищі, наприклад за наявності легкозаймистих рідин, газів або пилу.** Під час роботи електроприладу утворюються іскри, від яких можуть зайнятися пил або випари.
  - c) **Дітям і спостерігачам заборонено перебувати поруч з електроінструментом, що працює.** Це може відволікати вас і призвести до втрати контролю.
- #### 2) ЕЛЕКТРИЧНА БЕЗПЕКА
- a) **Штепсельні вилки електроінструмента мають**

- підходити до розеток. Заборонено модифікувати вилку будь-яким чином. Не використовуйте жодні перехідники для роботи із заземленими електроінструментами. Використання штепселів і розеток, у які не вносилися зміни, зменшує ризик ураження електричним струмом.
- b) Уникайте контакту частин тіла із заземленими поверхнями, такими як труби, батареї, плити й холодильники. У разі заземлення тіла збільшується ризик ураження електричним струмом.
- c) Бережіть електроінструмент від дощу та вологи. Вода, що потрапила в електроінструмент, підвищує ризик ураження електричним струмом.
- d) Поводьтесь обережно зі шнуром живлення. Не використовуйте шнур живлення для перенесення чи перетягування інструмента та виймання вилки з розетки. Бережіть шнур живлення від джерел тепла, мастил, гострих країв та рухомих частин. Пошкоджені або заплутані шнури живлення підвищують ризик ураження електричним струмом.
- e) Під час роботи з електроінструментом надворі використовуйте подовжувач, призначений для зовнішніх робіт. Використання подовжувача, призначеного для зовнішніх робіт, зменшує ризик ураження електричним струмом.
- f) Якщо роботи з електроінструментом у вологому середовищі не уникнути, скористайтеся пристроєм захисного вимкнення (ПЗВ). Використання ПЗВ зменшує ризик ураження електричним струмом.
- 3) **ІНДИВІДУАЛЬНА ТЕХНІКА БЕЗПЕКИ**
- a) Під час роботи з електроінструментом будьте уважними, слідкуйте за своїми діями та мисліть розсудливо. Не працюйте з електроінструментом, якщо ви втомлені або перебуваєте під дією наркотичних речовин, алкоголю або ліків. Навіть миттєва втрата пильності під час роботи з електроінструментами може стати причиною важкої травми.
- b) Використовуйте засоби особистого захисту. Завжди носіть засоби захисту очей. Використання у відповідних умовах таких захисних засобів, як протипиловий респіратор, неслизьке захисне взуття, шолом-каска і навушники допоможе зменшити ризик травмування.
- c) Уникайте випадкового запуску інструмента. Перш ніж підключати електроінструмент до мережі живлення чи акумулятора, брати чи переносити його, перевірте, чи встановлено перемикач у положення «вимкнено». Якщо переносити електроінструмент, тримаючи палець на перемикачі живлення, або підключати його до джерела живлення, коли перемикач живлення перебуває в положенні «увімкнено», це може призвести до травмування.
- d) Перш ніж вмикати електроінструмент, слід зняти всі регулювальні клинці або гайкові ключі. Якщо залишити такий ключ на рухомій частині електроінструмента, це може призвести до травмування.
- e) Не дотягуйтеся. Завжди міцно стійте на ногах і втримуйте рівновагу. Це дає змогу краще керувати електроінструментом у разі виникнення непередбачуваних ситуацій.
- f) Одягайтеся належним чином. Не носіть вільного одягу або прикрас. Стежте за тим, щоб волосся та одяг не потрапили на рухомі частини. Вільний одяг, прикраси або довге волосся можуть потрапити в рухомі частини.
- g) Якщо пристрої обладнано системою видалення пилу, переконайтеся, що її правильно підключено і що ви використовуєте її належним чином. Використання пристрою для збирання пилу може зменшити небезпеку, пов'язану з пилом.
- h) Не дозволяйте навичкам, отриманим після частого використання інструментів, змусити вас стати самовпевненими та ігнорувати принципи безпеки інструмента. Недбала дія може спричинити серйозну травму протягом доли секунди.
- 4) **ВИКОРИСТАННЯ ТА ДОГЛЯД ЗА ЕЛЕКТРОІНСТРУМЕНТОМ**
- a) Не застосовуйте силу до електроінструмента. Використовуйте належний електроінструмент відповідно до потреби. Правильно підібраний електроінструмент допоможе краще і безпечніше зробити роботу зі швидкістю, яка для неї передбачена.
- b) Не використовуйте електроінструмент, якщо перемикач не вмикає або не вимикає його. Усі електроінструменти, якими неможливо керувати за допомогою перемикача, становлять небезпеку й підлягають ремонту.
- c) Перш ніж проводити будь-які налаштування, замінювати аксесуари або перед зберіганням слід вимкнути штепсель із джерела живлення та/або вийняти з інструмента акумулятор, якщо він знімний. Такі запобіжні заходи техніки безпеки зменшують ризик випадкового запуску електроінструмента.
- d) Зберігайте інструменти, що не використовуються, подалі від дітей і не дозволяйте особам, які не мають досвіду роботи з такими інструментами або не знайомі з цією інструкцією, користуватися електроінструментом. Електроінструменти становлять небезпеку в руках недосвідчених користувачів.
- e) Доглядайте за електроінструментами та аксесуарами. Перевіряйте їх на предмет розладнання чи блокування рухомих частин, а також будь-яких обставин, які можуть вплинути на роботу електроінструмента. У разі пошкодження електроінструмент слід здати в ремонт, перш ніж користуватися ним. Часто нещасні випадки трапляються внаслідок неналежного технічного обслуговування електроінструментів.
- f) Тримайте ріжучі інструменти гострими й чистими. Належним чином доглянуті ріжучі інструменти з гострими ріжучими краями рідше блокуються, і ними легше керувати;
- g) Користуйтеся електроінструментом, аксесуарами та насадками для інструмента згідно з цією інструкцією, зважаючи на робочі умови та роботу, яку слід виконати. Використання

електроінструмента не за призначенням може стати причиною виникнення небезпечних ситуацій.

- h) Підтримуйте рунів'я та захватні поверхні сухими, чистими, без жиру і бруду.** Слизькі ручки та захватні поверхні не дають змоги безпечно тримати та керувати інструментом у непередбачених ситуаціях.
- 5) КОРИСТУВАННЯ І ДОГЛЯД ЗА АКУМУЛЯТОРНИМ ІНСТРУМЕНТОМ**
- a) Заряджайте лише за допомогою зарядного пристрою, указанного виробником.** Зарядний пристрій, який підходить для акумуляторів одного виду, може спричинити ризик пожежі у випадку його використання з іншим акумулятором.
- b) З електроінструментами слід використовувати лише призначені для них акумуляторні батареї.** Використання будь-яких інших акумуляторних батарей може призвести до травми або пожежі.
- c) Коли батарея не використовується, її слід тримати окремо від металевих предметів – затискачів паперу, монет, ключів, цвяхів, шурупів та інших дрібних предметів, які можуть замкнути клеми.** Коротке замикання клем акумулятора може стати причиною опіків чи пожежі.
- d) У надто важких умовах експлуатації з акумулятора може витікати рідина; не доторкайтесь до неї. Якщо випадково ви все ж торкнулися її, слід промити це місце водою.** Якщо рідина потрапила в очі, слід також звернутися до лікаря. Рідина, яка виступає з акумулятора, може спричинити подразнення або опіки.
- e) Не використовуйте акумуляторну батарею або інструмент, які пошкоджені або змінені.** Пошкоджені або змінені батареї можуть мати непередбачувану поведінку, що може спричинити пожежу, вибух або ризик травмування.
- f) Не надавайте акумуляторну батарею або інструмент дії вогню або високих температур.** Вогонь або температура вище 130°C може спричинити вибух.
- g) Дотримуйтесь усіх інструкцій щодо заряджання та не заряджайте акумуляторну батарею або інструмент за межами температурного діапазону, зазначеного в інструкціях.** Зарядження неналежним чином або при температурах за межами вказаного діапазону може пошкодити акумулятор і збільшити ризик виникнення пожежі.
- 6) СЕРВІС**
- a) Обслуговування електроінструмента повинен виконувати кваліфікований ремонтник із використанням лише ідентичних запасних частин.** Це забезпечить нормальну роботу електроінструмента.
- b) Ніколи не ремонтуйте пошкоджені акумулятори.** Сервісне обслуговування акумуляторних батарей має виконувати лише виробник або авторизовані постачальники послуг.

#### **ВКАЗІВКИ З БЕЗПЕКИ ДЛЯ АКУМУЛЯТОРНОГО ПЕРФОРАТОРА**

- **Надягайте засоби захисту органів слуху.** Шум може пошкодити слух

- **Використовуйте допоміжну рукоятку(и), якщо вона входить до комплекту постачання інструмента.** Втрата контролю над інструментом може призвести до травм
- **Під час роботи, коли робочий інструмент може зачепити заховану електропроводку, тримайте електроінструмент за ізольовані рукоятки** (зачеплення проводки, що перебуває під напругою, може передавати напругу також і на металеві частини електроінструмента та призводити до удару електричним струмом)

#### **ІНСТРУКЦІЯ З БЕЗПЕКИ ВИКОРИСТАННІ ДОВГИХ СВЕРДЕЛ ІЗ ПЕРФОРАТОРАМИ**

- **Завжди починайте свердлити на низькій швидкості.** При цьому свердло повинно знаходитись у контакт з робочою поверхнею. На підвищеній швидкості свердло може зігнути, коли в нього не має контакту з робочою поверхнею. Це може спричинити травму.
- **Натискайте на інструмент тільки у напрямку свердління і не допускайте надмірного тиску.** Свердла можуть гнутись, що призводить до поломки або втрати контролю і може спричинити травму.

#### **ЗАГАЛЬНЕ**

- **Не обробляйте матеріали, що містять асбест** (асбест вважається канцерогенним)
- Цей інструмент не можна використовувати особам віком до 16 років
- Пил від таких матеріалів, як фарба з вмістом свинцю, деякі породи дерева, мінерали й метал, може бути шкідливим (контакт із таким пилом або його вдихання може стати причиною виникнення в оператора або осіб, що перебувають поруч, алергійних реакцій і/або респіраторних захворювань); **надягайте респіратор і працюйте з пиловиділяючим пристроєм під час роботи з інструментом**
- Деякі види пилу класифікуються як канцерогенні (наприклад, дубовий або буковий пил), особливо в сполученні з добавками для кондиціонування деревини; **надягайте респіратор і працюйте з пиловиділяючим пристроєм під час роботи з інструментом**
- Дотримуйтесь інструкцій із роботи з матеріалами, що утворюють пил

#### **ПЕРЕД ВИКОРИСТАННЯМ**

- Не допускайте пошкоджень, які можуть нанести шурупи, цвяхи та інші елементи вашої заготовки; видаліть їх перед початком роботи
- **Зафіксуйте оброблювану деталь** (оброблювана деталь, зафіксована за допомогою затискних пристроїв або лещат, закріплюється краще, ніж вручну)
- **Використовуйте придатні пошукові прилади для знаходження захованих в будівлі труб та кабелів або зверніться за допомогою в місцеве підприємство електро-, газо- та водопостачання** (зачеплення електропроводки може призводити до пожежі та удару електричним струмом; зачеплення газової труби може призводити до вибуху; зачеплення водопровідної труби може завдати шкоду матеріальним цінностям або призводити до удару електричним струмом)

- Переконайтесь що селектор напрямку обертання B2 в середньому положенні (блокування) перед будь-якими налатками чи замінами приладдя, тоді коли ви тримаєте або поклали інструмент.
- Помініть про безпеку, що може з'явитися під час заїдання свердла (особливо при свердлінні металів); **завжди використовуйте бокову ручку J та займайте надійну позу**

#### АКСЕСУАРИ

- SKIL гарантує надійну роботу інструмента тільки при використанні відповідного приладдя
- Використовуйте лише приладдя, припустима швидкість обертання якого як мінімум відповідає найвищій швидкості інструмента без навантаження

#### ПІСЛЯ ВИКОРИСТАННЯ

- Коли ви закінчили роботу з інструментом, вимкніть мотор і переконайтесь, що всі рухомі частини повністю зупинилися

#### БАТАРЕЇ

- **Акумулятор, який постачається в комплекті, є частково зарядженим** (повністю зарядіть акумулятор у зарядному пристрої перед першим використанням свого електроінструмента, щоб забезпечити повну потужність акумулятора)
- **Використовуйте з інструментом тільки такі акумулятори і зарядні пристрої**
  - Акумулятор SKIL: BR1\*31\*\*\*\*
  - Зарядний пристрій SKIL: CR1\*31\*\*\*\*
- Не використовуйте пошкоджений акумулятор; негайно від'єднайте його від інструмента
- Не розбирайте акумулятор
- Виключіть можливість потрапляння дощу на інструмент або акумулятор
- Дозволена температура довкілля (інструмент/зарядний пристрій/акумулятор):
  - під час зарядження 4...40°C
  - під час роботи -20...+50°C
  - під час зберігання -20...+50°C

#### ПОЯСНЕННЯ ДО УМОВНИХ ПОЗНАЧЕНЬ НА ІНСТРУМЕНТІ/АКУМУЛЯТОРІ

- ③ Перед використанням прочитайте інструкцію із застосування
- ④ При влученні у вогонь батареї вибухають, тому в жодному разі не спалюйте батареї
- ⑤ Зберігайте інструмент/зарядний пристрій/акумулятор при температурі не більшій 50°C
- ⑥ Не викидайте електроінструмент і батареї разом зі звичайним сміттям

#### ВИКОРИСТАННЯ

- Заряджання акумулятора
  - ! **ознайомтеся з попередженнями і вказівками з техніки безпеки, які надаються із зарядним пристроєм**
- Зняття/установлення акумулятора ②
- Індикатор рівня заряду акумулятора ⑦
  - натисніть кнопку індикатора рівня заряду акумулятора G, щоб побачити поточний рівень заряду ⑦a
  - ! **якщо після натискання кнопки G ⑦b починає блимати індикатор найнижчого рівня заряду акумулятора, то акумулятор розряджено**
  - ! **коли 2 рівні індикатора заряду акумулятора починають блимати після натискання кнопки**

#### G ⑦c, акумулятор перебуває за межами допустимого діапазону робочих температур

- Захист акумулятора
  - Інструмент раптово вимикається або не вмикається, якщо
    - **навантаження занадто високе** -> приберіть навантаження і перезапустіть
    - **температура акумулятора не перебуває в допустимому діапазоні робочих температур від -20 до +50°C** --> 2 рівні індикатора заряду акумулятора починають блимати під час натискання кнопки G ⑦c; зачекайте, доки акумулятор не повернеться в допустимий діапазон робочих температур
    - **батарей майже розряджено (для захисту від блибкого розряду)** --> низький рівень заряду батареї або блимання низького рівня заряду батареї ⑦b показано індикатором рівня заряду батареї під час натискання кнопки G; зарядіть акумулятор
- ! **не продовжуйте роботу та не натискайте вмикач після автоматичного вимкнення інструмента; таними діями можна пошкодити акумулятор**

- Зміна напрямку обертання 8
  - у разі неправильного встановлення в ліве/праве положення перемикач B2 не спрацює
  - ! **мінуйте напрямом обертання тільки при повній зупинці інструмента**
- Установлення і видалення свердел ⑨a та ⑨b
  - ! **перед встановленням очистьте та трохи змастіть приладдя SDS+**
  - вставте приладдя в патрон SDS+, прокрутіть та натисніть на нього; фіксація приладдя в необхідному положенні відбудеться автоматично
  - потягніть за приладдя, щоб перекопатись, що воно правильно затиснуто
  - для зняття приладдя відтягніть фіксаторну втулку D
  - ! **приладдя SDS+ потребують свободи кріплення, що призводить до появи ексцентриситету, коли інструмент не навантажено; однак під час процесу роботи відбувається автоматичне центрування приладдя без створення шкоди для точного свердління**
  - ! **не використовуйте насадки з пошкодженням стовбуром**
- Комбінований перемикач для вмикання/вимкнення ⑩ та керування обертами ⑪
  - плавно керує обертами від нуля до максимальних в залежності від сили натискання на перемикач B
- Вибір режиму роботи ⑫
  - переведіть перемикач C у потрібний режим роботи до фіксації
    - 1 = свердління без удару/вкрутка
    - 2 = ударне свердління
    - 3 = пробійний режим з різцем, що крутиться
    - 4 = пробійний режим з фіксованим різцем
  - ! **вибирайте режим роботи тільки тоді, коли інструмент вимкнено й акумулятор вилучений**
  - електропневматичний механізм свердління з ударом вмикається шляхом легкого натискання на інструмент, коли кінчик свердла торкається заготовки



- електропневматичний механізм свердління з ударом набирає максимальної потужності через декілька секунд
- найкращі результати свердління з ударом досягаються тільки при легкому натиску на інструмент; при посиленні тиску на інструмент продуктивність свердління не збільшується
- Пробійний режим із фіксованим різцем 13
  - ! **вимкніть інструмент і вийміть акумулятор**
  - виберіть пробійний режим “з різцем, що крутиться”
  - розмістіть різець у потрібному положенні
  - виберіть пробійний режим “з фіксованим різцем”
- Світлодіодний індикатор 14
  - Світлодіодний індикатор E автоматично загоряється під час активації перемикача B
  - ! **коли світлодіодна робоча лампа починає блимати, активується захист акумулятора (див. вище)**
- Утримування і робота інструментом 15
  - ! **під час роботи завжди тримайте інструмент за області захвату сірого кольору**
  - завжди використовуйте допоміжну ручку J (може регулюватись як показано) 16
  - тримайте вентиляційні отвори F2 закритими
  - не тисніть на інструмент; дайте інструменту можливість працювати за вас
- Регулювання глибини свердління 17

## ПОРАДИ ПО ВИКОРИСТАННЮ

- Використовуйте відповідні насадки 18
  - ! **не використовуйте тупі насадки**
- Для свердління дерева, металу й пластмаси свердлами, іншими, ніж SDS, використовуйте адаптер (не входить до стандартного комплекту поставки) 19
  - ! **перед встановленням очистьте та трохи змастіть приладдя SDS+**
  - відтягніть фіксаторну втулку D та вставте адаптер у патрон SDS+, прокрутіть та натисніть на нього; фіксація адаптера у необхідному положенні відбудеться автоматично
  - потягніть за адаптер, щоб переконатись що він надійно зафіксований
  - встановіть перемикач C на режим звичайного свердління (перемикач працює тільки при вимкненому інструменті та заблокованому перемикачі)
- Свердління чорних металів
  - попередньо просвердліть отвір меншого діаметру, якщо необхідний отвір великого розміру
  - час від часу змащуйте свердла маслом
- При вгинчуванні шрумпів у поперечний зріз дерева або біля нього або в кромку дерева необхідно спочатку просвердлити отвір, щоб запобігти розколу деревини
- Свердління деревини без виривання скалок 20
- Свердління в стінах без пилу 21
- Свердління в стелях без пилу 22
- Свердління плитки без ковзання 23
- Дивіться додаткову інформацію на сайті [www.skil.com](http://www.skil.com)

## ДОГЛЯД/ОБСЛУГОВУВАННЯ

- Цей інструмент не придатний для промислового використання
- Завжди тримайте інструмент у чистоті (особливо вентиляційні отвори F2)
  - ! **виймайте акумулятор з інструмента перед очищенням**
- Якщо незважаючи на ретельну технологію виготовлення і перевірки інструмент все-таки вийде з ладу, його ремонт дозволяється виконувати лише в авторизованій сервісній майстерні для електроприладів SKIL
  - надішліть нерозібраний інструмент разом із доказом купівлі до свого дилера або до найближчого центру обслуговування SKIL (адреси, а також схема для обслуговування пристрою, подаються на сайті [www.skil.com](http://www.skil.com))
- Візьміть до відома, що ушкодження внаслідок перевантаження або неналежного поводження з інструментом не будуть включені в гарантію (умови гарантії SKIL див. на сайті [www.skil.com](http://www.skil.com) або довідайтесь в дилера у вашому регіоні)

## ОХОРОНА ДОВКІЛЛЯ

- Не викидайте електроінструмент, акумулятори, аксесуари та упаковку разом зі звичайним сміттям (тільки для країн ЄС)
  - відповідно до європейської директиви 2012/19/ЄС щодо утилізації старих електричних та електронних приладів, згідно з місцевим законодавством, електроінструмент, який перебував в експлуатації, має бути утилізований окремо, безпечним для довкілля шляхом
  - символ 6 нагадає вам про це, коли виникне необхідність в утилізації
  - ! **перед тим як позбутись акумулятора: заклейте грубою клейкою стрічкою клеми, щоб запобігти короткому замиканню**

## ШУМ / ВІБРАЦІЯ

- Рівень звукового тиску цього інструмента, який вимірюється відповідно до EN62841, становить 93,4 дБ(A), рівень звукової потужності 104,4 дБ(A) (похибка K = 3 дБ), а вібрація\* (векторна сума трьох осей; похибка K = 1,5 м/с<sup>2</sup>)
  - \* під час ударного свердління в бетоні 16,2 м/с<sup>2</sup>
  - \* у пробійному режимі з різцем 12,8 м/с<sup>2</sup>
- Рівень вібрації було виміряно згідно зі стандартизованими випробуваннями, що містяться в EN62841; ця характеристика може використовуватися для порівняння одного інструмента з іншим, а також для попередньої оцінки впливу вібрації під час застосування інструмента для вказаних цілей
  - у разі використання інструмента в інших цілях або з іншими/несправними допоміжними пристосуваннями рівень впливу вібрації може значно підвищуватися
  - у періоди, коли інструмент вимкнений або функціонує без фактичного виконання роботи, рівень впливу вібрації може значно знижуватися
  - ! **захищайте себе від впливу вібрації, підтримуючи інструмент і його допоміжні пристосування в справному стані, підтримуючи**

руки в теплі, а також правильно організовуючи свій робочий процес

GR

## Επαναφορτιζόμενο περιστροφικό πιστολέτο χωρίς ψήκτρες

3851

### ΕΙΣΑΓΩΓΗ

- Το ηλεκτρικό εργαλείο προορίζεται για διάτρηση με περιστροφή σε σκυρόδεμα, τούβλα και πέτρα, καθώς και τη διάτρηση ξύλου, μετάλλου, κεραμικού και πλαστικού. Τα ηλεκτρικά εργαλεία με ηλεκτρονική ρύθμιση ταχύτητας και περιστροφή αριστερά/δεξιά, είναι επίσης κατάλληλα για βίδωμα και τη δημιουργία σπειρωμάτων
- Το σύστημα διάτρησης με περιστροφή στο εργαλείο αυτό ξεπερνά σε απόδοση κάθε παραδοσιακού τύπου κρουστικό δράπανο για διάτρηση σε σκυρόδεμα
- Αυτό το εργαλείο είναι σχεδιασμένο για χρήση σε συνδυασμό με τα τυποποιημένα εξαρτήματα SDS+
- Αυτό το εργαλείο δεν προορίζεται για επαγγελματική χρήση
- Όταν λείπουν μέρη του ηλεκτρικού εργαλείου ή παρουσιάζουν φθορές, επικοινωνήστε με το κατάστημα από το οποίο το αγοράσατε
- **Διαβάστε προσεκτικά τις οδηγίες πριν από τη χρήση και φυλάξτε τις για μελλοντική αναφορά** ③
- **Δώστε ιδιαίτερη προσοχή στις οδηγίες ασφαλείας και στις προειδοποιήσεις - η μη τήρηση αυτών των οδηγιών και προειδοποιήσεων θα μπορούσε να προκαλέσει σοβαρούς τραυματισμούς**

### ΤΕΧΝΙΚΑ ΧΑΡΑΚΤΗΡΙΣΤΙΚΑ ①

#### ΜΕΡΗ ΤΟΥ ΕΡΓΑΛΕΙΟΥ ②

- A** Επιλογέας κατεύθυνσης περιστροφής (εμπρός / κεντρικό κλειδώμα / ανάποδη)
- B** Διακόπτης ενεργοποίησης/απενεργοποίησης και ελέγχου ταχύτητας
- C** Διακόπτης επιλογής τρόπου λειτουργίας
- D** Χιτώνιο ασφάλισης
- E** Λυχνία LED
- F** Σχισμές εξαερισμού
- G** Κουμπί ένδειξης κατάστασης μπαταρίας
- H** Δείκτης βάθους
- J** Βοηθητική χειρολαβή

### ΑΣΦΑΛΕΙΑ

#### ΓΕΝΙΚΕΣ ΠΡΟΕΙΔΟΠΟΙΗΣΕΙΣ ΑΣΦΑΛΕΙΑΣ ΓΙΑ ΗΛΕΚΤΡΙΚΑ ΕΡΓΑΛΕΙΑ

**ΠΡΟΕΙΔΟΠΟΙΗΣΗ** Μελετήστε όλες τις προειδοποιήσεις ασφαλείας, τις οδηγίες, τις εικόνες και τις προδιαγραφές που συνοδεύουν αυτό το ηλεκτρικό εργαλείο. Εάν δεν τηρηθούν όλες οι οδηγίες που αναφέρονται παρακάτω, μπορεί να προκληθεί ηλεκτροπληξία, πυρκαγιά και/ή σοβαρός τραυματισμός.

Φυλάξτε όλες τις προειδοποιήσεις και τις οδηγίες για μελλοντική αναφορά.

Ο όρος «ηλεκτρικό εργαλείο» στις προειδοποιήσεις αναφέρεται στο ηλεκτρικό σας εργαλείο που λειτουργεί είτε με σύνδεση σε πρίζα (ενσύρματα) είτε με μπαταρίες (ασύρματα).

#### 1) ΑΣΦΑΛΕΙΑ ΣΤΟ ΧΩΡΟ ΕΡΓΑΣΙΑΣ

- Διατηρείτε το χώρο εργασίας καθαρό και καλά φωτισμένο.** Οι ακατάστατοι χώροι και οι χώροι με κακό φωτισμό ενισχύουν την πιθανότητα ατυχημάτων.
- Μην χρησιμοποιείτε ηλεκτρικά εργαλεία σε εκρηκτική ατμόσφαιρα, για παράδειγμα, παρουσία εύφλεκτων υγρών, αερίων ή σκόνης.** Τα ηλεκτρικά εργαλεία δημιουργούν σπινθήρες που μπορεί να αναφλέξουν τη σκόνη ή τις αναθυμιάσεις.
- Διατηρείτε τα παιδιά και τους παρευρισκόμενους μακριά, όταν χρησιμοποιείτε το ηλεκτρικό εργαλείο.** Εάν κάτι αποσπάσει την προσοχή σας, μπορεί να χάσετε τον έλεγχο.

#### 2) ΗΛΕΚΤΡΙΚΗ ΑΣΦΑΛΕΙΑ

- Το φως του ηλεκτρικού εργαλείου πρέπει να ταιριάζει στην πρίζα. Μην τροποποιήσετε ποτέ και με κανέναν τρόπο το φως. Μην χρησιμοποιείτε κανενός είδους βύσματα προσαρμογών με γειωμένα ηλεκτρικά εργαλεία.** Τα μη τροποποιημένα φως και οι κατάλληλες πρίζες μειώνουν τον κίνδυνο ηλεκτροπληξίας.
  - Αποφεύγετε την επαφή με γειωμένες επιφάνειες, όπως σωλήνες, θερμαντικά σώματα, εστίες και ψυγεία.** Υπάρχει αυξημένος κίνδυνος ηλεκτροπληξίας όταν το σώμα σας είναι γειωμένο.
  - Μην εκθέτετε τα ηλεκτρικά εργαλεία σε βροχή ή υγρασία.** Εάν εισχωρήσει νερό στο ηλεκτρικό εργαλείο θα αυξηθεί ο κίνδυνος ηλεκτροπληξίας.
  - Μην κακομεταχειρίζεστε το καλώδιο. Μην χρησιμοποιείτε ποτέ το καλώδιο για να μεταφέρετε, να τραβήξετε ή να αποσυνδέσετε το ηλεκτρικό εργαλείο από την πρίζα.** Διατηρείτε το καλώδιο μακριά από θερμότητα, λάδια, αιχμηρές γωνίες ή κινούμενα εξαρτήματα. Τα κατεστραμμένα ή μπλεγμένα καλώδια αυξάνουν τον κίνδυνο ηλεκτροπληξίας.
  - Όταν χρησιμοποιείτε ένα ηλεκτρικό εργαλείο σε εξωτερικό χώρο, χρησιμοποιείτε καλώδιο προέκτασης κατάλληλο για χρήση σε εξωτερικούς χώρους.** Τα καλώδια που είναι κατάλληλα για εξωτερικό χώρο περιορίζουν τον κίνδυνο ηλεκτροπληξίας.
  - Εφόσον δεν μπορείτε να αποφύγετε τη χρήση του ηλεκτρικού εργαλείου σε περιοχή με υγρασία, χρησιμοποιείτε τροφοδοσία με διάταξη προστασίας ρεύματος διαρροής (RCD). Η χρήση διάταξης RCD μειώνει τον κίνδυνο ηλεκτροπληξίας.**
- #### 3) ΠΡΟΣΩΠΙΚΗ ΑΣΦΑΛΕΙΑ
- Να βρίσκεστε πάντα σε εγρήγορση, να προσέχετε τι κάνετε και να εφαρμόζετε κοινή λογική όταν χρησιμοποιείτε ηλεκτρικά εργαλεία. Μην χρησιμοποιείτε κανένα ηλεκτρικό εργαλείο όταν είστε κουρασμένοι ή υπό την επήρεια ναρκωτικών, αλκοόλ ή φαρμάκων.** Όταν χρησιμοποιείτε ηλεκτρικά εργαλεία, μια

στιγμή απροσεξίας μπορεί να προκαλέσει σοβαρό τραυματισμό.

- b) **Χρησιμοποιείτε μέσα ατομικής προστασίας. Φοράτε πάντα προστατευτικά γυαλιά.** Τα μέσα ατομικής προστασίας, όπως η μάσκα σκόνης, τα αντιολισθητικά παπούτσια, το κράνος ή η ωτοπροστασία, που χρησιμοποιούνται στις κατάλληλες περιπτώσεις, μειώνουν τον κίνδυνο τραυματισμών.
- c) **Λαμβάνετε μέτρα για να μην ενεργοποιηθεί κατά λάθος το ηλεκτρικό εργαλείο. Βεβαιώνετε ότι ο διακόπτης βρίσκεται στη θέση απενεργοποίησης (OFF) προτού να συνδέσετε το ηλεκτρικό εργαλείο στο ρεύμα και/ή στη συστοιχία μπαταριών, ή όταν σηκώνετε ή μεταφέρετε το εργαλείο.** Μη μεταφέρετε το ηλεκτρικό εργαλείο με το δάκτυλο πάνω στο διακόπτη και μη συνδέετε το ηλεκτρικό εργαλείο στην παροχή ρεύματος με ενεργοποιημένο το διακόπτη, διότι αυξάνεται ο κίνδυνος ατυχήματος.
- d) **Προτού ενεργοποιήσετε το ηλεκτρικό εργαλείο, αφαιρείτε οποιοδήποτε εργαλείο ή κλειδί ρύθμισης.** Εάν το εργαλείο ρύθμισης ή το κλειδί παραμείνει συνδεδεμένο στο περιτρεφόμενο εξάρτημα του ηλεκτρικού εργαλείου, μπορεί να προκληθεί τραυματισμός.
- e) **Μην τεντώνετε υπερβολικά για να πραγματοποιήσετε την εργασία.** Πατάτε πάντα σταθερά και διατηρείτε την ισορροπία σας. Έτσι θα ελέγχετε καλύτερα το ηλεκτρικό εργαλείο σε περίπτωση απροσδόκητων καταστάσεων.
- f) **Φοράτε κατάλληλα ρούχα. Μην φοράτε φαρδιά ρούχα ή κοσμήματα. Διατηρείτε τα μαλλιά και τα ρούχα σας μακριά από κινούμενα μέρη.** Τα φαρδιά ρούχα, τα κοσμήματα ή τα μακριά μαλλιά ενδέχεται να εμπλακούν σε κινούμενα μέρη.
- g) **Εάν υπάρχει δυνατότητα σύνδεσης συσκευών απομάκρυνσης και συλλήθη σκόνης, βεβαιωθείτε ότι αυτές οι συσκευές έχουν συνδεθεί και χρησιμοποιούνται σωστά.** Αυτές οι συσκευές μπορούν να περιορίσουν τους κινδύνους που σχετίζονται με τη σκόνη.
- h) **Ε** **Ακόμα κι εάν χρησιμοποιείτε συχνά ηλεκτρικά εργαλεία, μην εφησυχάζετε και μην παραβλέπετε τις βασικές αρχές ασφαλείας.** Μια στιγμή απροσεξίας μπορεί να οδηγήσει σε σοβαρό τραυματισμό.
- 4) **ΧΡΗΣΗ ΚΑΙ ΦΡΟΝΤΙΔΑ ΤΟΥ ΗΛΕΚΤΡΙΚΟΥ ΕΡΓΑΛΕΙΟΥ**
  - a) **Μην ζορίζετε το ηλεκτρικό εργαλείο. Χρησιμοποιήστε το κατάλληλο ηλεκτρικό εργαλείο για την εκάστοτε εργασία.** Η εργασία θα πραγματοποιηθεί καλύτερα και ασφαλέστερα εάν χρησιμοποιηθεί το κατάλληλο ηλεκτρικό εργαλείο και στην ταχύτητα για την οποία έχει σχεδιαστεί.
  - b) **Μην χρησιμοποιήσετε το ηλεκτρικό εργαλείο εάν δεν μπορείτε να το ενεργοποιήσετε και να το απενεργοποιήσετε από τον διακόπτη.** Κάθε ηλεκτρικό εργαλείο που δεν ελέγχεται από το διακόπτη είναι επικίνδυνο και απαιτεί επισκευή.
  - c) **Αποσυνδέετε το φιν από την πηγή ρεύματος και/ή αφαιρείτε τη συστοιχία μπαταριών, εφόσον είναι αποσπώμενη, από το ηλεκτρικό εργαλείο προτού να κάνετε οποιαδήποτε ρύθμιση, αλλάξετε**

παρελκόμενα ή το αποθηκεύσετε. Χάρη σε τέτοια προληπτικά μέτρα περιορίζεται ο κίνδυνος να ενεργοποιηθεί κατά λάθος το ηλεκτρικό εργαλείο.

- d) **Αποθηκεύετε τα ηλεκτρικά εργαλείο που δεν χρησιμοποιείτε σε μέρος όπου δεν έχουν πρόσβαση τα παιδιά και μην αφήνετε άτομα που δεν είναι εξοικειωμένα με το ηλεκτρικό εργαλείο ή αυτές τις οδηγίες να το χρησιμοποιήσουν.** Τα ηλεκτρικά εργαλεία είναι επικίνδυνα στα χέρια ατόμων που δεν έχουν εκπαιδευτεί στη χρήση τους.
- e) **Συντηρείτε τα ηλεκτρικά εργαλείο και τα παρελκόμενα. Ελέγχετε για κακή ευθυγράμμιση ή εμπλοκή των κινούμενων εξαρτημάτων, για σπασμένα εξαρτήματα και για κάθε άλλη κατάσταση που μπορεί να επηρεάσει τη λειτουργία του ηλεκτρικού εργαλείου.** Εάν έχει υποστεί ζημιά το ηλεκτρικό εργαλείο, επισκευάστε το προτού να το χρησιμοποιήσετε. Πολλά ατυχήματα σφείλονται σε πλημμελώς συντηρημένα ηλεκτρικά εργαλεία.
- f) **Διατηρείτε τα εργαλείο κοπής αιχμηρά και καθαρά.** Τα κοπτικά εργαλείο που έχουν συντηρηθεί σωστά και διαθέτουν αιχμηρές κόψεις είναι λιγότερο πιθανό να μπλοκάρουν, ενώ είναι ευκολότερα στο χειρισμό.
- g) **Χρησιμοποιείτε το ηλεκτρικό εργαλείο, τα παρελκόμενα, τις μύτες, κτλ., σύμφωνα με αυτές τις οδηγίες, λαμβάνοντας υπόψη τη συνθήκες εργασίας και την προς εκτέλεση εργασία.** Η χρήση ενός ηλεκτρικού εργαλείου για λειτουργίες διαφορετικές από αυτές για τις οποίες προορίζεται μπορεί να οδηγήσει σε επικίνδυνες καταστάσεις.
- h) **Διατηρείτε τις λαβές και τις επιφάνειες συγκράτησης του εργαλείου στεγνές και καθαρές, χωρίς λάδια και γράσα.** Εάν γλιστρούν οι λαβές και οι επιφάνειες συγκράτησης δε θα μπορέσετε να χειριστείτε με ασφάλεια το εργαλείο, ούτε θα μπορέσετε να ελέγξετε σε περίπτωση που προκύψει κάποια απροσδόκητη κατάσταση.
- 5) **ΧΡΗΣΗ ΚΑΙ ΦΡΟΝΤΙΔΑ ΤΟΥ ΕΡΓΑΛΕΙΟΥ ΜΕ ΜΠΑΤΑΡΙΑ**
  - a) **Επαναφορτίζετε το ηλεκτρικό εργαλείο μόνο με το φορτιστή που έχει καθορίσει ο κατασκευαστής.** Οι φορτιστές που είναι κατάλληλοι για κάποιο συγκεκριμένο τύπο συστοιχίας μπαταριών μπορεί να προκαλέσουν πυρκαγιά εάν χρησιμοποιηθούν με άλλον τύπο.
  - b) **Χρησιμοποιείτε το ηλεκτρικό εργαλείο μόνο με τη συγκεκριμένη συστοιχία μπαταριών που προορίζεται για αυτό.** Εάν χρησιμοποιηθεί οποιαδήποτε άλλη συστοιχία μπαταριών, μπορεί να προκληθεί τραυματισμός και πυρκαγιά.
  - c) **Όταν η συστοιχία μπαταριών δεν χρησιμοποιείται, φυλάξτε τη μακριά από μεταλλικά αντικείμενα, όπως, συνδετήρες, κέρματα, κλειδιά, καρφιά, βίδες ή άλλα μικρά μεταλλικά αντικείμενα, τα οποία μπορεί να δημιουργήσουν σύνδεση μεταξύ των ακροδεκτών.** Το βραχυκύκλωμα των ακροδεκτών της συστοιχίας μπαταριών μεταξύ τους ενδέχεται να προκαλέσει εγκαύματα ή πυρκαγιά.
  - d) **Σε συνθήκες κακής χρήσης, μπορεί να διαρρεύσει υγρό από τη συστοιχία μπαταριών. Αποφύγετε την επαφή με αυτό. Σε περίπτωση τυχαίας**

επαφής, ξεπλύνετε καλά με νερό. Εάν το υγρό έρθει σε επαφή με τα μάτια, αναζητήστε επιπλέον ιατρική βοήθεια. Το υγρό που διαρρέει από τη συστοιχία μπαταριών μπορεί να προκαλέσει ερεθισμό ή εγκαύματα.

- e) **Μην χρησιμοποιείτε τη συστοιχία μπαταριών ή το εργαλείο εάν έχουν υποστεί ζημιά ή έχουν τροποποιηθεί.** Οι συστοιχίες μπαταριών που έχουν υποστεί ζημιά ή τροποποιηθεί μπορεί να έχουν απρόβλεπτη συμπεριφορά και να προκληθεί πυρκαγιά, έκρηξη ή τραυματισμός.
- f) **Η συστοιχία μπαταριών και το ηλεκτρικό εργαλείο δεν πρέπει να εκτίθενται σε φωτιά ή υπερβολικά υψηλές θερμοκρασίες.** Η έκθεση σε φωτιά ή θερμοκρασία πάνω από 130 °C μπορεί να προκαλέσει έκρηξη.
- g) **Τηρείτε όλες τις οδηγίες φόρτισης και μη φορτίζετε τη συστοιχία μπαταριών ή το ηλεκτρικό εργαλείο εκτός του εύρους θερμοκρασίας που καθορίζεται στις οδηγίες.** Εάν η φόρτιση δε γίνει σωστά ή πραγματοποιηθεί σε θερμοκρασία εκτός του καθορισμένου εύρους, η συστοιχία μπαταριών μπορεί να υποστεί ζημιά και να αυξηθεί ο κίνδυνος πυρκαγιάς.
- 6) **ΣΕΡΒΙΣ**
- a) **Το ηλεκτρικό εργαλείο πρέπει να επισκευάζεται μόνο από εξειδικευμένο επαγγελματία, χρησιμοποιώντας μόνο παμοιότυπα ανταλλακτικά.** Με αυτόν τον τρόπο διασφαλίζεται η ασφαλής λειτουργία του ηλεκτρικού εργαλείου.
- b) **Μην επιχειρήσετε ποτέ να επισκευάσετε συστοιχία μπαταριών που έχει υποστεί ζημιά.** Η συστοιχία μπαταριών πρέπει να επισκευάζεται μόνο από τον κατασκευαστή ή από εξουσιοδοτημένα κέντρα σέρβις.

#### ΥΠΟΔΕΙΞΕΙΣ ΑΣΦΑΛΕΙΑΣ ΓΙΑ ΤΟ ΕΠΑΝΑΦΟΡΤΙΖΟΜΕΝΟ ΠΙΣΤΟΛΕΤΟ

- **Φοράτε προστατευτικά ακοής.** Η έκθεση στο θόρυβο μπορεί να προκαλέσει απώλεια ακοής
- **Χρησιμοποιείτε βοηθητικές χειρολαβές, εφόσον παρέχονται με το ηλεκτρικό εργαλείο.** Η απώλεια ελέγχου μπορεί να οδηγήσει σε τραυματισμό.
- **Κρατάτε το ηλεκτρικό εργαλείο από τις μονωμένες επιφάνειες όταν υπάρχει κίνδυνος το κοπτικό εξάρτημα να έρθει σε επαφή κρυφά ηλεκτροφόρα καλώδια** (η επαφή με ηλεκτροφόρο καλώδιο μπορεί να θέσει τα μεταλλικά μέρη του ηλεκτρικού εργαλείου υπό τάση και να προκαλέσει ηλεκτροπληξία στο χειριστή)

#### ΟΔΗΓΙΕΣ ΑΣΦΑΛΕΙΑΣ ΓΙΑ ΤΗ ΧΡΗΣΗ ΜΑΚΡΙΩΝ ΤΡΥΠΑΝΙΩΝ ΜΕ ΠΕΡΙΣΤΡΟΦΙΚΕΣ ΣΦΥΡΕΣ

- **Ξεκινάτε πάντα τη διάτρηση με χαμηλή ταχύτητα και με τη μύτη του τρυπανιού σε επαφή με το τεμάχιο επεξεργασίας.** Σε υψηλότερες ταχύτητες, η μύτη μπορεί να λυγίσει εάν περιστραφεί ελεύθερα χωρίς να βρίσκεται σε επαφή με το τεμάχιο επεξεργασίας, προκαλώντας τραυματισμό.
- **Ασκείτε πίεση μόνο στην ίδια ευθεία με τη μύτη και να μην ασκείτε υπερβολικά μεγάλη πίεση.** Η μύτη μπορεί να λυγίσει και να προκαλέσει θραύση ή απώλεια ελέγχου, με συνέπεια τραυματισμό.

#### ΓΕΝΙΚΑ

- **Μην κατεργάζεστε υλικά που περιέχουν αμίαντο** (ο αμίαντος θεωρείται καρκινογόνος)
- Αυτό το εργαλείο δεν πρέπει να χρησιμοποιείται από άτομα κάτω των 16 ετών
- Η σκόνη από υλικά όπως μογιές που περιέχουν μόλυβδο, ορισμένα είδη ξύλου, ανόργανα στοιχεία και μέταλλα μπορεί να είναι επιβλαβή (η επαφή ή η εισπνοή της σκόνης μπορεί να προκαλέσει αλλεργικές αντιδράσεις ή/και αναπνευστικές ασθένειες στο χειριστή ή σε παριστάμενους). **Φοράτε μάσκα προστασίας από τη σκόνη ή χρησιμοποιείτε συσκευή αναρρόφησης σκόνης, εφόσον επιδέχεται σύνδεση**
- Ορισμένα είδη σκόνης ταξινομούνται ως καρκινογόνα (όπως σκόνη από δρυ ή οξιά) ιδιαίτερα σε συνδυασμό με πρόσθετα συντηρητικά ξύλου. **Φοράτε μάσκα προστασίας από τη σκόνη ή χρησιμοποιείτε συσκευή αναρρόφησης σκόνης, εφόσον επιδέχεται σύνδεση**
- Ακολουθείτε τις σχετικές με σκόνη εθνικές διατάξεις για τα υλικά που θέλετε να χρησιμοποιήσετε

#### ΠΡΙΝ ΑΠΟ ΤΗ ΧΡΗΣΗ

- Αποφύγετε ζημιές από βίδες, καρφιά και άλλα στοιχεία που ενδέχεται να υπάρχουν στο τεμάχιο επεξεργασίας, αφαιρώντας τα προτού να ξεκινήσετε την εργασία
- **Ασφαλίστε το τεμάχιο επεξεργασίας** (αυτό συγκρατείται ασφαλέστερα με σφιγκτήρες ή μέγγενη παρά με τα χέρια)
- **Χρησιμοποιείτε κατάλληλες συσκευές ανίχνευσης για να εντοπίσετε κρυφές γραμμές ρεύματος, αερίου ή νερού** (η επαφή με καλώδια ρεύματος μπορεί να οδηγήσει σε πυρκαγιά ή ηλεκτροπληξία, ενώ οι ζημιές σε αγωγούς αερίου μπορεί να οδηγήσουν σε έκρηξη, και η διάτρηση ενός σωλήνα νερού θα προκαλέσει υλικές ζημιές ή ηλεκτροπληξία)
- Βεβαιωθείτε ότι ο επιλογέας κατεύθυνσης περιστροφής Β② βρίσκεται στη μεσαία θέση (κλειδίωμα), προτού πραγματοποιήσετε κάποια εργασία ρύθμισης στο εργαλείο ή αλλάξετε εξάρτημα, όπως και όταν μεταφέρετε ή αποθηκεύετε το εργαλείο.
- Λαμβάνετε υπόψη σας τις δυνατόι που προκύπτουν λόγω εμπλοκής του ηλεκτρικού εργαλείου (κυρίως όταν τρυπάτε μέταλλο). **Χρησιμοποιείτε πάντα τη βοηθητική χειρολαβή J και φροντίστε να στέκεστε σταθερά**

#### ΠΑΡΕΛΚΟΜΕΝΑ

- Η SKIL εγγυάται την απρόσκοπτη λειτουργία του ηλεκτρικού εργαλείου μόνο εφόσον χρησιμοποιούνται γνήσια παρελκόμενα
- Χρησιμοποιείτε μόνο παρελκόμενα των οποίων η επιτρεπόμενη ταχύτητα ισούται τουλάχιστον με τη μέγιστη ταχύτητα χωρίς φορτίο του ηλεκτρικού εργαλείου

#### ΜΕΤΑ ΤΗ ΧΡΗΣΗ

- Όταν πρόκειται να αποθηκεύσετε το ηλεκτρικό εργαλείο, απενεργοποιείτε τον κινητήρα και βεβαιώστε ότι όλα τα κινούμενα μέρη του έχουν ακινητοποιηθεί πλήρως

#### ΜΠΑΤΑΡΙΕΣ

- Η παρεχόμενη συστοιχία μπαταριών είναι μερικής φορτισμένη (για να διασφαλιστεί η μέγιστη ισχύς της συστοιχίας μπαταριών, φορτίστε την πλήρως με τον φορτιστή της πριν από τη χρήση του ηλεκτρικού εργαλείου σας για πρώτη φορά).
- **Χρησιμοποιείτε μόνο τις ακόλουθες συστοιχίες**

## μπαταριών και τους φορτιστές

- Μπαταρία SKIL: BR1\*31\*\*\*\*

- Φορτιστής SKIL: CR1\*31\*\*\*\*

- Μην χρησιμοποιείτε τη συστοιχία μπαταριών όταν έχει υποστεί βλάβη. Πρέπει να την αντικαθιστάτε αμέσως
- Μην αποσυναρμολογείτε τη συστοιχία μπαταριών
- Μην εκθέτετε το εργαλείο / τη συστοιχία μπαταριών στη βροχή
- Επιτρεπόμενη θερμοκρασία περιβάλλοντος (εργαλείο/φορτιστής/συστοιχία μπαταριών):
  - κατά τη διάρκεια της φόρτισης 4...40°C
  - κατά τη διάρκεια της λειτουργίας -20...+50°C
  - κατά την αποθήκευση -20...+50°C

## ΕΠΕΞΗΓΗΣΗ ΣΥΜΒΟΛΩΝ ΣΤΟ ΕΡΓΑΛΕΙΟ / ΤΗΝ ΜΠΑΤΑΡΙΑ

- ③ Διαβάστε το εγχειρίδιο οδηγιών πριν από τη χρήση
- ④ Οι συστοιχίες μπαταριών εκρήγνυνται εάν απορριφθούν στη φωτιά, συνεπώς, μην καίτε τις μπαταρίες για κανένα λόγο
- ⑤ Αποθηκεύετε το εργαλείο / το φορτιστή / τη συστοιχία μπαταριών σε μέρος όπου η θερμοκρασία δεν θα ξεπεράσει τους 50°C
- ⑥ Μην απορρίπτετε τα ηλεκτρικά εργαλεία και τις συστοιχίες μπαταριών στα οικιακά απορρίμματα

## ΧΡΗΣΗ

- Φόρτιση της συστοιχία μπαταριών  
**! διαβάστε τις προειδοποιήσεις ασφαλείας και τις οδηγίες που παρέχονται με το φορτιστή**
- Αφαίρεση/εγκατάσταση της μπαταρίας ②
- Ένδειξη κατάστασης μπαταρίας ⑦
  - πιέστε το κουμπί ένδειξης κατάστασης μπαταρίας G για να εμφανίσετε την τρέχουσα κατάσταση της μπαταρίας ⑦a
  - ! εάν αρχίσει να αναβοσβήνει το κατώτατο επίπεδο της ένδειξης κατάστασης μπαταρίας μετά το πάτημα του κουμπιού G⑦b, τότε η μπαταρία είναι άδεια**
  - ! εάν αρχίσουν να αναβοσβήνουν 2 επίπεδα της ένδειξης στάθμης μπαταρίας μετά το πάτημα του κουμπιού G⑦c, τότε η μπαταρία δε βρίσκεται εντός του επιτρεπόμενου εύρους θερμοκρασίας λειτουργίας**
- Προστασία μπαταρίας  
Το εργαλείο απενεργοποιείται ξαφνικά ή δεν επιδέχεται ενεργοποίηση όταν
  - το φορτίο είναι υπερβολικά μεγάλο → αφαιρέστε φορτίο και επανεκκινήστε
  - η θερμοκρασία της μπαταρίας δεν βρίσκεται εντός του επιτρεπόμενου εύρους θερμοκρασίας λειτουργίας -20 έως +50°C → 2 επίπεδα της ένδειξης κατάστασης μπαταρίας αρχίζουν να αναβοσβήνουν με το πάτημα του κουμπιού G⑦c. Περιμένετε ώσπου η μπαταρία να επανέλθει εντός του επιτρεπόμενου εύρους θερμοκρασίας λειτουργίας
  - η μπαταρία έχει σχεδόν αδειάσει (για προστασία από βαθιά εκφόρτιση) → ανάβει ή αναβοσβήνει χαμηλή στάθμη μπαταρίας ⑦b δίπλα στην ένδειξη κατάστασης μπαταρίας με το πάτημα του κουμπιού G. Φορτίστε την μπαταρία
- ! μην συνεχίσετε να πατάτε το διακόπτη ενεργοποίησης/απενεργοποίησης μετά την αυτόματη απενεργοποίηση του εργαλείου,**

## διότι μπορεί να προκληθεί βλάβη στη συστοιχία μπαταριών

- Αλλαγή κατεύθυνσης περιστροφής ⑧
  - εάν δεν έχει ρυθμιστεί σωστά στην αριστερή/δεξιά θέση, ο διακόπτης B2 δεν μπορεί να ενεργοποιηθεί
  - ! αλλάξτε κατεύθυνση περιστροφής μόνο εφόσον το εργαλείο έχει ακινητοποιηθεί πλήρως**
- Εγκατάσταση και αφαίρεση μυτών ⑨a & ⑨b
  - ! καθαρίζετε και λιπαίνετε λίγο το εξάρτημα SDS+ πριν από την τοποθέτησή του**
  - τοποθετήστε το εξάρτημα στο τσοκ SDS+, περιστρέφοντας και ωθώντας το ώσπου να εμπλακεί. Το εξάρτημα ασφαλίζει αυτόματα στη θέση του.
  - ελέγχετε τη μανδάλωση τραβώντας από το εξάρτημα
  - αφαιρέστε το εξάρτημα τραβώντας το χιτώνιο ασφάλισης D προς τα πίσω
  - ! το εξάρτημα SDS+ χρειάζεται ελευθερία κινήσεων, η οποία προκαλεί εκκεντρικότητα κατά τη λειτουργία του ηλεκτρικού εργαλείου χωρίς φορτίο — το εξάρτημα κεντράρει αυτόματα κατά τη διάρκεια της λειτουργίας χωρίς να επηρεάζεται η ακρίβεια της διάτρησης**
  - ! μην χρησιμοποιείτε μύτες με φθαρμένο στέλεχος**
- Συνδυασμένος διακόπτης για ενεργοποίηση/ απενεργοποίηση ⑩ και έλεγχο ταχύτητας ⑪
  - ρυθμίστε την ταχύτητα αβαθμίδωτα από μηδέν στη μέγιστη, πιέζοντας περισσότερο ή λιγότερο το διακόπτη B
- Επιλογή τρόπου λειτουργίας ⑫
  - περιστρέψτε το διακόπτη C στον επιθυμητό τρόπο λειτουργίας ώσπου να ασφαλίσει
  - 1 = κανονικά τρύπημα/βίδωμα
  - 2 = διάτρηση με κρούση
  - 3 = σμίλευση με περιστρεφόμενη σμίλη
  - 4 = σμίλευση με σταθερή σμίλη
  - ! επιλέγεται τρόπο λειτουργίας μόνο, εφόσον το εργαλείο είναι απενεργοποιημένο και έχει αφαιρεθεί η συστοιχία μπαταριών**
  - ο μηχανισμός περιστροφής ενεργοποιείται αν εφαρμόσετε μικρή πίεση στο εργαλείο όταν το άκρο του τρυπανιού είναι σε επαφή με το κατεργαζόμενο τεμάχιο
  - δεν χρειάζεται πολύς χρόνος για να φτάσει ο μηχανισμός περιστροφής στη μέγιστη ισχύ του
  - θα έχετε καλύτερα αποτελέσματα διάτρησης με περιστροφή αν εφαρμόσετε μόνο μια ελαφριά πίεση στο εργαλείο - δεν θα βελτιώσετε την απόδοση του δράπανου εφαρμόζοντας μεγαλύτερη πίεση στο εργαλείο
- Σμίλευση με σταθερή σμίλη ⑬
  - ! απενεργοποιήστε το ηλεκτρικό εργαλείο και αφαιρέστε τη συστοιχία μπαταριών**
- επιλέξτε τη λειτουργία "περιστρεφόμενης" σμίλευσης
  - βάλτε τη σμίλη στη θέση που επιθυμείτε
  - επιλέξτε τη λειτουργία "σταθερής" σμίλευσης
  - Λυχνία LED ⑭
- Η λυχνία LED E ανάβει αυτόματα με την ενεργοποίηση του διακόπτη B
  - ! όταν η λυχνία LED αρχίζει να αναβοσβήνει, ενεργοποιείται η προστασία της συστοιχίας μπαταριών (βλ. παραπάνω)**
  - Κράτημα και οδήγηση του εργαλείου ⑮

### **! ενώ εργάζεστε, κρατάτε πάντα το εργαλείο από τη γκρι λαβή / τις γκρι λαβές**

- χρησιμοποιείτε πάντα τη βοηθητική χειρολαβή J (επιδέχεται ρύθμιση σύμφωνα με την εικόνα) ⑩
- διατηρείτε ελεύθερες τις σχισμές εξαερισμού F②
- μην ασκείτε υπέρμετρη πίεση στο εργαλείο – αφήστε το εργαλείο να κάνει για σας τη δουλειά
- Ρύθμιση του βάθους διάτρησης ⑰

## **ΣΥΜΒΟΥΛΕΣ ΧΡΗΣΗΣ**

- Χρησιμοποιείτε κατάλληλες μύτες ⑮
- ! χρησιμοποιείτε μόνο αιχμηρές μύτες**
- Για τη διάτρηση ξύλου, μετάλλου και πλαστικού με τρυπάνια που δεν είναι SDS, χρησιμοποιήστε προσαρμογέα (δεν περιλαμβάνεται στον τυπικό εξοπλισμό) ⑰
- ! καθαρίζετε και λιπαίνετε λίγο το εξάρτημα SDS+ πριν από την τοποθέτησή του**
- τραβήξτε το χιτώνιο ασφάλισης D προς τα πίσω και τοποθετήστε τον προσαρμογέα στο τσοκ SDS+, περιστρέφοντας και ωθώντας τον ώσπου να εμπλακεί. Ο προσαρμογέας ασφαλίσει αυτόματα στη θέση του.
- ελέγχετε τη μανδάλωση τραβώντας από τον σχετικό προσαρμογέα
- ρυθμίστε το διακόπτη C σε κανονική διάτρηση (μόνο εφόσον το ηλεκτρικό εργαλείο είναι απενεργοποιημένο και ο διακόπτης ασφαλισμένος)
- Όταν κάνετε διάτρηση σε σιδηρούχα μέταλλα
- προ-τρυπήστε μία τρύπα μικρότερη από την απαιτούμενη
- λιπαίνετε περιστασιακά τη μύτη με λάδι
- Όταν έχετε να βιδώσετε μία βίδα σε γωνία ή στην άκρη ξύλου θα, κάντε μια προκαταρκτική οπή, για να αποφύγετε το «σκάσιμο» του ξύλου
- Διάτρηση χωρίς θραύσματα σε ξύλο ⑳
- Διάτρηση χωρίς σκόνη σε τοίχους ㉑
- Διάτρηση χωρίς σκόνη σε οροφές ㉒
- Διάτρηση χωρίς μετατόπιση σε πλακίδια ㉓
- Για περισσότερες πληροφορίες, βλ. [www.skil.com](http://www.skil.com)

## **ΣΥΝΤΗΡΗΣΗ/ΣΕΡΒΙΣ**

- Αυτό το εργαλείο δεν προορίζεται για επαγγελματική χρήση
- Διατηρείτε πάντα καθαρό το εργαλείο (ειδικά τις σχισμές εξαερισμού F②)
- ! αφαιρείτε τη συστοιχία μπαταριών από το εργαλείο πριν από τον καθαρισμό**
- Αν παρά την επιμελημένη κατασκευή και τις διαδικασίες δοκιμής το εργαλείο παρουσιάζει βλάβη, τότε η επισκευή του πρέπει να ανατεθεί σ' ένα κέντρο εξυπηρέτησης κατόπιν πωλήσεων για ηλεκτρικά εργαλεία SKIL
- στείλτε το εργαλείο χωρίς να το αποσυναρμολογήσετε μαζί με την απόδειξη αγοράς στο κατάστημα από το οποίο το αγοράσατε ή στον πλησιέστερο σταθμό τεχνικής εξυπηρέτησης της SKIL (θα βρείτε τις διευθύνσεις και το διάγραμμα συντήρησης του εργαλείου στην ιστοσελίδα [www.skil.com](http://www.skil.com))
- Να γνωρίζετε ότι οι βλάβες που προκαλούνται λόγω υπερφόρτωσης ή ακατάλληλου χειρισμού του εργαλείου, δεν καλύπτονται από την εγγύηση (για

τους όρους της εγγύησης της SKIL επισκεφτείτε τη διεύθυνση [www.skil.com](http://www.skil.com) ή απευθυνθείτε στον πλησιέστερο αντιπρόσωπο)

## **ΠΕΡΙΒΑΛΛΟΝ**

- Μην απορρίπτετε ηλεκτρικά εργαλεία, μπαταρίες, παρελκόμενα και συσκευασίες στα οικιακά απορρίμματα (μόνο για τις χώρες της ΕΕ)
- σύμφωνα με την ευρωπαϊκή οδηγία 2012/19/ΕΚ, σχετικά με τα απόβλητα ηλεκτρικού και ηλεκτρονικού εξοπλισμού, και την ενσωμάτωσή της στο εθνικό δίκαιο, τα άχρηστα ηλεκτρικά εργαλεία πρέπει να συλλέγονται ξεχωριστά και να επιστρέφονται σε εγκατάσταση αποβλήτων για ανακύκλωση με τρόπο φιλικό προς το περιβάλλον
- το σύμβολο ⑥ θα σας το θυμίσει αυτό όταν έλθει η ώρα της απόρριψης
- ! πριν από την απόρριψη, καλύψτε τους ακροδέκτες της συστοιχίας μπαταριών με μονωτική ταινία για να αποφύγετε βραχυκύκλωμα**

## **ΘΟΥΡΒΟΣ/ΔΟΝΗΣΗ**

- Βάσει της μέτρησης σύμφωνα με το πρότυπο EN62841, η στάθμη ηχητικής πίεσης αυτού του εργαλείου είναι 93,4 dB(A) και η στάθμη ηχητικής ισχύος 104,4 dB(A) (αβεβαιότητα K = 3 dB), και η δόνηση \*(τριαξονικό διανυσματικό άθροισμα, αβεβαιότητα K = 1,5 m/s m/s²)
- \* κατά τη διάτρηση με περιστροφή σε σκυρόδεμα 16,2 m/s²
- \* κατά τη σμίλευση 12,8 m/s²
- Το επίπεδο μετάδοσης δόνησης έχει μετρηθεί σύμφωνα με τυποποιημένη δοκιμή κατά το πρότυπο EN62841. Μπορεί να χρησιμοποιηθεί για τη σύγκριση ενός εργαλείου με ένα άλλο, καθώς και ως προκαταρκτική αξιολόγηση της έκθεσης σε δόνηση όταν το εργαλείο χρησιμοποιείται για τις αναφερόμενες εφαρμογές
- η χρήση του εργαλείου για διαφορετικές εφαρμογές ή με διαφορετικά ή κακοσυντηρημένα εξαρτήματα μπορεί να αυξήσει σημαντικά το επίπεδο έκθεσης
- όταν το εργαλείο είναι απενεργοποιημένο ή όταν είναι ενεργοποιημένο αλλά δεν εκτελεί την εργασία, το επίπεδο έκθεσης μπορεί να μειωθεί σημαντικά
- ! προστατευτείτε από τις συνέπειες της δόνησης, συντηρώντας σωστά το ηλεκτρικό εργαλείο και τα παρελκόμενά του, διατηρώντας τα χέρια σας ζεστά και οργανώνοντας τον τρόπο εργασίας σας**

RO

## **Ciocan rotopercurtor fără perii și cu acumulator**

**3851**

## **INTRODUCERE**

- Această sculă este destinată pentru găurire de ciocan în beton, cărămidă și piatră, precum și pentru găurire în lemn, metal, ceramică și material plastic, sculele cu control electronic de viteză și rotație reversibilă sunt de asemenea adecvate pentru înșurubare și filetare
- Sistemul de ciocan al acestei scule funcționează superior

față de orice alt fel de perforator tradițional, atunci când se perforază în beton

- Această sculă este destinată utilizării în combinație cu toate sistemele SDS standard + piesele auxiliare
- Această sculă nu este destinată utilizării profesionale
- În cazul în care lipsesc piese sau acestea sunt deteriorate, contactați distribuitorul
- **Citiți cu atenție acest manual de instrucțiuni înainte de utilizare și păstrați-l pentru consultare ulterioară** ③
- **Acordați o atenție specială instrucțiunilor de securitate și avertizare; neglijarea acestora poate duce la vătămări grave**

## DATE TEHNICE ①

### ELEMENTELE SCULEI ②

- A Selector direcție de rotație (înainte/ centru-blocare/invers)
- B Întrerupător deschis/închis și controlul vitezei
- C Întrerupător pentru selectarea modului de funcționare
- D Manșon de blocare
- E Lampă LED
- F Fantele de ventilație
- G Buton indicator al nivelului bateriei
- H Sistem de reglare a adâncimii
- J Mâner auxiliar

## SIGURANȚA

### INSTRUCȚIUNI GENERALE DE SIGURANȚĂ PENTRU SCULE ELECTRICE

**AVERTISMENT** Citiți toate instrucțiunile, avertizările de siguranță, ilustrațiile și specificațiile livrate împreună cu această sculă electrică.

Nerespectarea tuturor instrucțiunilor enumerate mai jos se poate solda cu șoc electric, incendiu și/sau vătămare corporală gravă.

**Păstrați toate avertizările și instrucțiunile pentru consultare ulterioară.**

Termenul „sculă electrică” din avertizări se referă la scula electrică (cu cablu) alimentată de la rețeaua electrică sau scula electrică (fără cablu de alimentare) care funcționează cu acumulator.

#### 1) SIGURANȚA ZONEI DE LUCRU

- a) **Păstrați zona de lucru curată și bine iluminată.** Zonele dezordonate și întunecoase predispun la accidente.
- b) **Nu puneți în funcțiune sculele electrice în atmosfere explozive, cum ar fi în prezența lichidelor, gazelor sau a pulberilor inflamabile.** Sculele electrice creează scântei, care pot aprinde pulberile sau gazele.
- c) **Țineți copiii și persoanele prezente la distanță atunci când utilizați o sculă electrică.** Distragerea atenției vă poate face să pierdeți controlul.

#### 2) SIGURANȚA ELECTRICĂ

- a) **Ștecherle sculelor electrice trebuie să corespundă cu priza de rețea electrică. Nu modificați niciodată ștecherul în vreun fel.** Nu utilizați adaptoare de priză cu

scule electrice împământate. Ștecherle nemodificate și prizele adecvate vor reduce riscul de electrocutare.

- b) **Evitați contactul corpului cu suprafețele legate la împământare, cum sunt țevile, caloriferele, mașinile de gătit și frigiderule.** Acest lucru reprezintă un risc sporit de electrocutare în cazul care corpul dumneavoastră este împământat.
  - c) **Nu expuneți sculele electrice la ploaie sau condiții de umiditate.** Pătrunderea apei într-o sculă electrică va crește riscul de electrocutare.
  - d) **Nu folosiți în mod abuziv cablul de alimentare. Nu utilizați niciodată cordonul de alimentare pentru a transporta, a trage sau a scoate din priză scula electrică. Țineți cablul de alimentare departe de căldură, ulei, margini tăioase sau piese în mișcare.** Cablurile electrice deteriorate sau încălcite cresc riscul de electrocutare.
  - e) **Când utilizați o sculă electrică în aer liber utilizați un cablu prelungitor adecvat pentru utilizarea în aer liber.** Utilizarea unui cablu adecvat pentru utilizare în aer liber reduce riscul de electrocutare.
  - f) **Dacă utilizarea unei scule electrice într-o zonă umedă este inevitabilă, utilizați o sursă de alimentare protejată cu un întrerupător de protecție la curent rezidual (DCR).** Utilizarea unui astfel de întrerupător reduce riscul de electrocutare.
- ### 3) SIGURANȚA PERSONALĂ
- a) **Păstrați-vă vigilența, urmăriți ceea ce faceți și apelați la bunul simț când utilizați o sculă electrică.** Nu utilizați o sculă electrică când sunteți obosit, sau sub influența medicamentelor, a alcoolului sau a medicației. Un moment de neatenție în timp ce utilizați sculele electrice se poate solda cu vătămări grave.
  - b) **Utilizați echipamente individuale de protecție. Purtați întotdeauna echipament de protecție oculară.** Echipamentele de protecție, cum ar fi masca de praf, încălțăminte antiderapantă, cască sau protecție auditivă utilizate pentru condiții adecvate vor reduce leziunile personale.
  - c) **Preveniți pornirea accidentală. Asigurați-vă că întrerupătorul este în poziția oprit înainte de a conecta scula la o sursă de alimentare și/sau set de acumulatori, înainte de a ridica sau transporta scula.** Transportul sculelor electrice cu degetul pe întrerupător sau cu alimentarea cu energie electrică pornită predis pune la accidente.
  - d) **Îndepărtați orice cheie de reglare sau cheie fixă înainte de a porni scula electrică.** O cheie lăsată într-o piesă rotativă a sculei electrice poate duce la accidente.
  - e) **Nu încercați să ajungeți în locuri inaccesibile. Păstrați-vă stabilitatea și echilibrul în orice moment.** Astfel veți avea un control mai bun asupra sculei electrice în situații neașteptate.
  - f) **Îmbrăcați-vă corespunzător.** Nu purtați haine largi sau bijuterii. Păstrați-vă părul și îmbrăcămintea departe de componentele în mișcare. Îmbrăcămintea largă, bijuteriile sau părul lung pot fi prinse de piesele în mișcare.
  - g) **Dacă sunt furnizate dispozitive pentru conectarea sistemelor de extragere și colectare a prafului, asigurați-vă că acestea sunt conectate și utilizate corespunzător.** Utilizarea dispozitivelor de colectare a prafului poate reduce pericolele legate de praf.
  - h) **Nu permiteți ca familiaritatea dobândită în urma**

utilizării frecvente a sculelor să vă face să neglijați sau să nesocotiți principiile de siguranță ale sculei. O operație neglijentă poate cauza vătămări grave într-o fracțiune de secundă.

#### 4) UTILIZAREA ȘI ÎNGRIJIREA SCULELOR ELECTRICE

- a) **Nu forțați scula electrică. Utilizați scula electrică corespunzătoare pentru aplicația dumneavoastră.** Scula electrică adecvată va face o treabă mai bună și mai sigură când este utilizată conform specificațiilor pentru care a fost concepută.
- b) **Nu utilizați scula electrică dacă întrerupătorul nu comută pe pozițiile pornit și oprit.** Orice sculă electrică ce nu poate fi controlată de la întrerupător este periculoasă și trebuie reparată.
- c) **Deconectați ștecherul de la sursa de alimentare și / sau scoateți acumulatorul, dacă este detașabil, de la scula electrică înainte de a efectua ajustări, de a schimba accesoriile sau de a stoca sculele electrice.** Astfel de măsuri preventive reduc riscul de pornire accidentală a sculei electrice.
- d) **Depozitați sculele electrice într-un loc inaccesibil copiilor și nu permiteți utilizarea sculei electrice de persoane nefamiliarizate cu aceasta sau cu aceste instrucțiuni.** Sculele electrice sunt periculoase în mâna utilizatorilor neinstruiți.
- e) **Întrețineți sculele electrice și accesoriile. Verificați dacă există abateri de la coaxialitate sau îndoiri ale pieselor în mișcare, deteriorări ale pieselor și orice altă situație care poate afecta funcționarea sculelor electrice.** În caz de deteriorare, reparați scula electrică înainte de utilizare. Multe accidente sunt cauzate de sculele electrice prost întreținute.
- f) **Mențineți sculele de tăiere ascuțite și curate.** Sculele de tăiere întreținute corespunzător și cu muchii de tăiere ascuțite riscă mai puțin să se îndoie și sunt mai ușor de controlat.
- g) **Utilizați scula electrică, accesoriile și cuțitele demontabile etc. în conformitate cu aceste instrucțiuni, ținând cont de condițiile de lucru și lucrarea de efectuat.** Utilizarea sculei electrice pentru operații diferite de cele intenționate s-ar putea solda cu o situație periculoasă.
- h) **Mențineți mânerele și suprafețele de apucat uscate, curate și fără ulei și vaselină.** Mânerele și suprafețele de apucare alunecoase nu permit manevrarea în siguranță și controlul asupra sculei în situații neașteptate.
- 5) **UTILIZAREA ȘI ÎNGRIJIREA ACUMULATORULUI**
- a) **Reîncărcați numai cu încărcătorul specificat de producător.** Un încărcător adecvat pentru un tip de set de acumulatori poate prezenta risc de incendiu dacă este utilizat cu alt set de acumulatori.
- b) **Utilizați sculele electrice doar cu seturile de acumulatori special menționate.** Utilizarea oricărui alt set de acumulatori prezintă risc de accidente și incendiu.
- c) **Când nu se utilizează setul de acumulatori, țineți-l departe de alte obiecte metalice precum clamele de hârtie, monedele, cheile, cuiele, șuruburile sau alte obiecte metalice mici care pot realiza o conexiune între borne.** Scurtcircuitarea bornelor acumulatorului poate produce arsuri sau un incendiu.
- d) **În condiții abuzive se poate scurge lichid din acumulator; evitați contactul. Dacă are loc contactul accidental, clătiți cu apă. Dacă lichidul intră în**

contact cu ochii, efectuați suplimentar un consult medical. Lichidul scurs din acumulator poate produce iritări sau arsuri.

- e) **Nu utilizați un set de acumulatori sau o sculă deteriorată sau modificată.** Acumulatorii deteriorați sau modificați pot prezenta comportament imprevizibil, care poate duce la incendiu, explozie sau risc de vătămare.
- f) **Nu expuneți setul de acumulatori la foc sau la temperaturi excesive.** Expunerea la foc sau la temperaturi de peste 130°C poate provoca explozie.
- g) **Respectați toate instrucțiunile de încărcare și nu încărcați acumulatorul sau scula în afara intervalului de temperatură specificat în instrucțiuni.** Încărcarea necorespunzătoare sau la temperaturi în afara domeniului specificat poate duce la deteriorarea acumulatorului și la creșterea riscului de incendiu.
- 6) **SERVICE**
- a) **Apelați numai la o persoană calificată pentru a vă repara scula electrică utilizând numai piese de schimb identice.** Astfel se asigură menținerea nivelului de siguranță al sculei electrice.
- b) **Nu efectuați niciodată operații de service asupra seturilor de acumulatori deteriorați.** Depanarea acumulatorilor trebuie să fie efectuată numai de producător sau de prestatorii autorizați de servicii.

#### INSTRUCȚIUNI DE SIGURANȚĂ PENTRU CIOCANUL ROTOPERCUTOR CU ACUMULATORI

- **Utilizați protecții auditive.** Expunerea la zgomot poate duce la pierderea auzului
- **Utilizați mâner(e) auxiliare, dacă acestea sunt furnizate cu scula.** Pierderea controlului poate cauza vătămare corporală
- **Țineți scula electrică de mânerile izolate atunci când executați operații în cursul cărora accesoriul de tăiere poate atinge fire electrice ascunse** (contactul un cablu aflat sub tensiune poate electrifica componentele metalice ale sculei electrice, existând riscul unui șoc electric pentru operator)

#### INSTRUCȚIUNI DE SIGURANȚĂ CÂND UTILIZAȚI BURGHIE LUNGI CU MAȘINA DE GĂURIT CU PERCUȚIE

- **Începeți întotdeauna găurirea la viteză mică și cu vârful burghiului în contact cu piesa de prelucrat.** La viteze mai mari, este foarte probabil ca burghiul să se îndoiească dacă i se permite rotirea în gol fără a intra în contact cu piesa, rezultând vătămări.
- **Apăsăți direct liniar cu burghiul și nu apăsați excesiv.** Burghiile se pot îndoii, ducând la rupere sau la pierderea controlului, cauzând vătămări.

#### GENERALITĂȚI

- **Nu prelucrați materiale care conțin azbest** (azbestul este considerat a fi cancerigen)
- Această sculă nu trebuie să fie folosită de persoane sub 16 ani
- Praful rezultat din materiale precum vopseaua care conține plumb, unele specii de lemn, minerale și metale poate fi periculos (contactul cu praful sau inhalarea acestuia poate provoca reacții alergice și/sau afecțiuni respiratorii operatorului sau persoanelor care stau în apropiere); **purtați o mască de praf și lucrați cu un dispozitiv de extragere a prafului când poate fi**



### conectat

- Anumite tipuri de praf sunt clasificate ca fiind cancerigene (cum ar fi praful de stejar și fag) în special în combinație cu aditivi pentru tratarea lemnului; purtați o mască de praf și lucrați cu un dispozitiv de extragere a prafului când poate fi conectat
- Respectați reglementările naționale referitoare la aspirația prafului în funcție de materialele de lucru folosite

### ÎNAINTEA UTILIZĂRII

- Evitați daunele provocate de șuruburi, țiște și alte elemente din timpul lucrului; înlăturați aceste elemente înainte de a trece la treabă
- **Securizați piesa de lucru** (o piesă de lucru fixată cu clame sau într-o menghină este ținută mult mai în siguranță decât manual)
- **Folosiți detectoare adecvate pentru depistarea conductelor și conductorilor de alimentare sau apelați în acest scop la întreprinderea locală de furnizare a utilităților** (contactul cu conductorii electrici poate provoca incendii sau electrocutare; deteriorarea unei conducte de gaz poate duce la explozii; spargerea unei conducte de apă provoacă pagube materiale sau poate provoca electrocutare)
- Asigurați-vă că comutator pentru direcția de rotație B② este în poziția din mijloc (poziția de blocaj) înainte de a executa reglaje ale sculei electrice sau de a înlocui accesoriile precum și în cazul de transport sau depozitare a sculei electrice.
- Țineți socoteala de forțele care se creează ca urmare a blocării (mai ales la găurirea în metal); folosiți întotdeauna mânerul auxiliar J și luați o poziție stabilă

### ACCESORII

- SKIL garantează funcționarea perfectă a aparatului numai dacă sunt folosite accesoriile originale
- Folosiți numai accesoriile a căror turație admisă este cel puțin egală cu turația maximă la mers în gol a aparatului

### DUPĂ UTILIZARE

- Când puneți instrumentul la o parte, deconectați motorul și asigurați-vă că toate elementele mobile și-au oprit complet mișcarea

### ACUMULATORII

- **Bateria furnizată este parțial încărcată** (pentru a asigura o capacitate maximă a bateriei, încărcăți-o complet utilizând încărcătorul acesteia înainte de a utiliza unealta electrică pentru prima dată)
- **Utilizați numai următoarele baterii și încărcătoare cu această sculă**
  - Baterie SKIL: BR1\*31\*\*\*\*
  - Încărcător SKIL: CR1\*31\*\*\*\*
- Nu folosiți bateria dacă aceasta este avariată; ea trebuie înlocuită imediat
- Nu dezasaamblați bateria
- Nu expuneți scula/bateria la ploaie
- Temperatura ambiantă admisă (instrument/încărcător/acumulator):
  - în timpul încărcării 4...40°C
  - în timpul funcționării -20...+50°C
  - în timpul depozitării -20...+50°C

### EXPLICAȚIA SIMBOLURILOR DE PE INSTRUMENT/ BATERIE

- ③ Citiți manual de instrucțiuni înainte de utilizare
- ④ Bateriile vor exploda când sunt aruncate în foc, deci nu ardeți bateriile sub niciun motiv
- ⑤ Depozitați instrumentul / încărcătorul / bateria în locuri în

care temperatura nu va depăși 50 ° C

- ⑥ Nu aruncați sculele electrice și bateriile direct la pubelele de gunoi

## UTILIZAREA

- Încărcarea bateriei
  - ! **citiți avertismentele de siguranță și instrucțiunile care au fost furnizate împreună cu încărcătorul**
- Scoaterea/instalarea bateriilor ②
- Indicator nivel încărcare acumulator ⑦
  - apăsați butonul indicator al nivelului bateriei G pentru a afișa nivelul curent al bateriei ⑦a
  - ! **când nivelul cel mai scăzut al indicatorului bateriei începe să clipească după apăsarea butonului G⑦b, bateria este descărcată**
  - ! **când 2 niveluri ale indicatorului bateriei încep să clipească după apăsarea butonului G ⑦c, bateria nu se află în intervalul de temperatură de funcționare permis**
- Protecția bateriei
  - Aparatul este oprit brusc sau împiedicat să fie pornit când
    - **sarcina este prea mare** --> îndepărtați sarcina și reporniți
    - **temperatura bateriei nu se încadrează în intervalul admisibil de temperatură de funcționare de la -20 to +50°C** --> 2 niveluri ale indicatorului de nivel al bateriei începe să clipească la apăsarea butonului G ⑦c; așteptați până când bateria a revenit în intervalul permis de temperatură de funcționare
    - **bateria este aproape descărcată (pentru a proteja împotriva descărcării profunde)** --> un nivel scăzut al bateriei sau un nivel scăzut intermitent al bateriei ⑦b este afișat de indicatorul nivelului bateriei atunci când apăsați butonul H; încărcăți bateria
    - ! **nu continuați să apăsați comutatorul pornit/oprit după oprirea automată a mașinii; în caz contrar, bateria poate fi deteriorată**
- Schimbarea direcției de rotație ⑧
  - dacă nu se așază în poziția corectă stânga/dreapta, întrerupător B② nu va putea fi acționat
  - ! **schimbați direcția de rotație abia atunci când aparatul este complet oprit**
- Instalarea și îndepărtarea biții ⑨a & ⑨b
  - ! **înainte de a insera, curățați și ungeți ușor SDS+ accesoriile**
  - introduceți accesoriul în SDS+ mandrină; în timp ce-l rotiți, împingeți până ce acesta s-a angajat; accesoriul se blochează automat în poziție
  - trageți de accesoriu pentru a verifica dacă acesta s-a blocat corect
  - îndepărtați accesoriul prin tragerea înapoi a manșonului de blocare D
  - ! **SDS+ accesoriul necesită libertate de mișcare, ceea ce cauzează excentricitate atunci când scula funcționează în gol; oricum accesoriul se centrează automat în timpul prelucrării, fără să afecteze precizia de găurire**
  - ! **nu folosiți biți cu coadă deteriorată**
- Întrerupător combinat pentru conectare/deconectare ⑩ și dirijarea vitezei ⑪
  - controlați viteza fără trepte de la zero la maximum prin apăsare mai puternică sau mai slabă a butonului de

- pornire B
- Selectarea modului de funcționare ⑫
  - roțiți întrerupătorul C în modul de funcționare dorit până când se auto-blochează
  - 1 = găurire normală/înșurubare
  - 2 = găurire cu percuție
  - 3 = dăltuire cu daltă rotativă
  - 4 = dăltuire cu daltă fixă
- ! **selectați modul de funcționare numai când scula este oprită și bateria este scoasă**
- mecanismul de ciocan este pus în funcțiune prin apăsarea ușoară a sculei, în momentul în care vârful burghiului se găsește în contact cu piesa de prelucrat
- mecanismul de ciocan atinge puterea maximă de impact după o perioadă scurtă
- cele mai bune rezultate de găurire de ciocan pot fi obținute numai prin ușoară apăsare a sculei; prestațiile de perforare nu vor fi mai bune prin apăsarea mai puternică a sculei
- Dăltuire cu daltă fixă ⑬
  - ! **opriți mașina și scoateți bateria**
  - selectați modul de dăltuire rotativă
  - așezați daltă în poziția dorită
  - selectați modul de dăltuire fixă
- Lumină LED ⑭
  - LED-ul E se aprinde automat când activați comutatorul de pornire/oprire B
  - ! **când lumina de lucru LED începe să lumineze intermitent, protecția bateriei este activată (a se vedea mai sus)**
- Mănuirea și dirijarea sculei ⑮
  - ! **în timp ce lucrați, țineți întotdeauna scula de zonă (zonele) de prindere colorate gri**
  - folosiți întotdeauna mânerul auxiliar J (care trebuie să fie ajustat așa cum apare în schemă) ⑯
  - mențineți fantele de ventilație F ② neacoperite
  - nu exercitați prea multă presiune asupra sculei; lăsați scula să funcționeze
- Reglajul adâncimii de găurire ⑰

## SFATURI PENTRU UTILIZARE

- Folosiți biți adecvați ⑱
- ! **folosiți numai burghie ascuțite**
- Pentru găurirea cu vârful de burghiu non SDS în lemn, metal și plastic, utilizați un adaptor (nu este inclus în versiunea standard) ⑲
  - ! **înainte de a insera, curățați și ungeți ușor SDS+ accesoriile**
  - trageți înapoi manșonul de blocare D și inserați adaptorul în SDS+ mandrină; în timp ce-l roțiți, împingeți până ce acesta s-a angajat; adaptorul se blochează automat în poziție
  - trageți de adaptor pentru a verifica dacă acesta s-a blocat corect
  - alegeți întrerupătorul C pentru găurire normală (se acționează numai atunci când scula este oprită și întrerupătorul este blocat)
- La găurirea în metale feroase
  - când este necesară găurirea la un diametru mare, efectuați întâi o găurire intermediară, la diametru mai mic
  - ungeți cu ulei din când în când burghiul
- Atunci când doriți să suciți un șurub la marginea, colțul,

- capătul lemnului, se recomandă să faceți o gaură cu instrumentul de găurit pentru a evita crăparea lemnului
- Găurire așchiată în lemn ⑳
- Găurire fără praf în pereți ㉑
- Găurire fără praf în tavane ㉒
- Găurire în țigle fără a aluneca ㉓
- Pentru mai multe informații, consultați [www.skil.com](http://www.skil.com)

## ÎNTREȚINERE/SERVICE

- Această sculă nu este destinată utilizării profesionale
- Păstrați întotdeauna aparatul curat (mai ales fantele de ventilație F ②)
- ! **scoateți bateria din scula electrică înainte de curățare**
- Dacă în ciuda procedurilor de fabricație și control riguroase scula are totuși o pană, repararea acesteia se va face numai la un atelier de asistență service autorizat pentru scule electrice SKIL
  - trimiteți scula completă cu bonul de cumpărare la distribuitorul sau la centrul de service SKIL cel mai apropiat (adrese și diagrame de service se găsesc la [www.skil.com](http://www.skil.com))
- Trebuie să fiți conștienți de faptul că deteriorarea datorată supra-sarcinii sau utilizării incorecte a sculei va duce la excluderea din garanție (pentru condițiile de garanție SKIL consultați [www.skil.com](http://www.skil.com) sau întrebați distribuitorul)

## MEDIUL

- **Nu aruncați sculele electrice, bateriile, accesoriile sau ambalajele direct la pubelele de gunoi** (numai pentru țările din Comunitatea Europeană)
  - Directiva Europeană 2012/19/EC face referire la modul de aruncare a echipamentelor electrice și electronice și modul de aplicare a normelor în conformitate cu legislația națională; sculele electrice în momentul în care au atins un grad avansat de uzură și trebuie scurcitate aruncate, ele trebuie scurcitate separat și reciclate într-un mod ce respectă normele de protecție a mediului înconjurător
  - simbolul ⑥ vă va reaminti acest lucru
  - ! **înainte aruncare protejați terminalele bateriei cu lentă protectoare pentru a preîntâmpina scurtcircuitul**

## ZGOMOT / VIBRAȚII

- Măsurat în conformitate cu EN62841, nivelul de presiune acustică al acestui instrument este 93,4 dB (A) și nivelul de putere acustică 104,4 dB (A) (incertitudine K = 3 dB) și vibrația\* (suma vectorului triax; incertitudinea K = 1,5 m/s<sup>2</sup>)
  - \* când găuriți cu percuție în beton 16,2 m/s<sup>2</sup>
  - \* la dăltuire 12,8 m/s<sup>2</sup>
- Nivelul emisiilor de vibrații a fost măsurat în conformitate cu un test standardizat dat în EN62841; poate fi folosit pentru a compara un instrument cu altul și ca o evaluare preliminară a expunerii la vibrații atunci când se utilizează scula pentru aplicațiile menționate
  - utilizarea sculei pentru aplicații diferite sau cu accesorii diferite și prost întreținute poate **crește** semnificativ nivelul de expunere
  - momentele în care scula este oprită sau când funcționează dar nu execută nicio lucrare, pot **reduce**

semnificativ nivelul de expunere

**! protejați-vă împotriva efectelor vibrațiilor prin  
înțepinerea sculei și a accesoriilor sale, păstrând  
mâinile calde și organizând procesele de lucru**

BG

## Безщетков акумулаторен перфоратор

3851

### УВОД

- Този инструмент е предназначен за ударно пробиване на бетон, тухла и камък, а също така и за пробиване на дърво, метал, керамика и пластмаса; инструментите с електронно регулиране на скоростта и ляво/дясно въртене са също така подходящи за завинтване и нарязване на резба
- Ударната система на този инструмент превъзхожда всички традиционни пробивни системи с храпов механизъм при пробиването на бетон
- Този инструмент е проектиран за работа в комбинация с всички стандартни SDS+ накрайници
- Този инструмент не е предназначен за професионална употреба
- Ако някои части липсват или са повредени, моля, свържете се със своя търговец
- Прочетете внимателно това ръководство преди употреба и го запазете за справки в бъдеще ③
- Обърнете специално внимание на инструкциите за безопасност и предупрежденията; неспазването им може да доведе до сериозно увреждане

### ТЕХНИЧЕСКИ ДАННИ ①

#### ЕЛЕМЕНТИ НА ИНСТРУМЕНТА ②

- A Превключвател за посоката на въртене (напред / централно заключване / назад)
- B Спусък за включване/изключване и регулиране на скоростта
- C Превключвател за избор на режим на работа
- D Затягаща втулка
- E Светодиодна светлина
- F Вентилационни отвори
- G Бутон за индикация на нивото на батерията
- H Дълбочинен ограничител
- J Спомагателна ръкохватка

### БЕЗОПАСНОСТ

#### ОБЩИ ПРЕДУПРЕЖДЕНИЯ ЗА БЕЗОПАСНОСТ НА ЕЛЕКТРИЧЕСКИ ИНСТРУМЕНТИ

**!** ПРЕДУПРЕЖДЕНИЕ Прочетете всички предупреждения за безопасност, инструкции, илюстрации и спецификации предоставени с този електрически инструмент. Неспазването на всички инструкции изброени долу може да доведе до токов удар, пожар и/или сериозно нараняване.

Запазете всички предупреждения и инструкции за

#### бъдеща справка.

Терминът «електрически инструмент» в предупрежденията се отнася до захранвани от мрежата (кабелни) електрически инструменти или захранвани чрез батерия (безкабелни) електрически инструменти.

#### 1) БЕЗОПАСНОСТ В РАБОТНАТА ЗОНА

- a) Поддържайте работната зона чиста и добре осветена. Разхвърляни или тъмни работни зони пораждат инциденти.
- b) Не работете с електрически инструменти в експлозивна атмосфера, като например в присъствието на запалими течности, газ или прах. Електрическият инструмент създава искра, която може да възпламени праха или изпаренията.
- c) Дръжте на разстояние децата и страничните лица, докато работите с електрически инструмент. Разсейването може да причини загуба на контрол.

#### 2) ЕЛЕКТРИЧЕСКА БЕЗОПАСНОСТ

- a) Щепселите на електрическия инструмент трябва да съответстват на контакта. Никога не модифицирайте щепсела по какъвто и да е начин. Не използвайте какъвто и да е адаптер със заземени електрически инструменти. Немодифицираните щепсели и съответстващите контакти ще намалят риска от електрически шок.
  - b) Избягвайте контакт на тялото със заземени повърхности, като тръби, радиатори, кухненски печки и хладилници. Съществува повишена опасност от токов удар, ако тялото Ви е заземено.
  - c) Не излагайте електрическите инструменти на дъжд или влажни условия. Навлизането на вода в електрическия инструмент ще увеличи риска от токов удар.
  - d) Не злоупотребявайте с кабела. Никога не използвайте кабела за пренасяне, изтегляне или изключване от контакта на електрически инструмент. Дръжте кабела настрана от топлина, масло, остри ръбове или движещи се части. Повредени или оплетени кабели увеличават риска от електрически удар.
  - e) Когато работите с електрически инструмент на открито, използвайте удължителен кабел подходящ за употреба на открито. Употребата на кабел подходящ за употреба на открито намалява риска от електрически удар.
  - f) Ако работата с електрическия инструмент на влажно място е неизбежна, използвайте захранване с дефектнотонова защита (RCD). Употребата на RCD намалява риска от токов удар.
- #### 3) ЛИЧНА БЕЗОПАСНОСТ
- a) Внимавайте, гледайте нанво правите и използвайте здрав разум, когато работите с електрически инструмент. Не използвайте електрически инструмент, когато сте уморени или когато сте под влияние на наркотици, алкохол или лекарства. Момент невнимание по време на работата с електрически инструмент, може да доведе до сериозно лично нараняване.
  - b) Използвайте лични предпазни средства. Винаги носете защита за очите. Защитно оборудване като

прахови маски, не плъзгащи се безопасно обувки, твърда каска или защита за слуха използвана при подходящи условия ще намали риска от лични наранявания.

- c) **Предотвратете непреднамерено пускане. Уверете се, че ключът е в изключена позиция, преди да свържете към захранване и/или батерия, повдигайки или носейки инструмента.** Носейки инструмента, докато пръстът ви е на спусъка или подаването на захранване на инструменти, които са с включен прекъсвач е предпоставка за инциденти.
- d) **Извадете всеки регулиращ ключ или гаечен ключ, преди да включите захранването.** Гаечен или друг ключ оставен закачен към въртящите се части на електрическия инструмент, може да доведе до лично нараняване.
- e) **Не се протягайте. Запазете правилна стойка и баланс по всяко време.** Това позволява по-добър контрол върху електрическия инструмент в непредвидени ситуации.
- f) **Облечете се подходящо. Не носете отпуснати дрехи или бижута.** Дръжте косата и дрехите си далеч от движещи се части. Отпуснати дрехи, бижута или дълга коса, могат да бъдат хванати в движещите се части.
- g) **Ако са предоставени устройства за свързване на прахоуловител или съоръжения за събиране, уверете се, че те са свързани и са правилно използвани.** Употребата на устройства за събиране на прах може да намали рисковете свързани с прах.
- h) **Не позволявайте на рутинността придобита от честата употреба на инструмента да позволи да станете небрежни и да игнорирате принципите за безопасност на инструмента.** Небрежно действие може да причини сериозно нараняване за части от секундата.
- 4) **УПОТРЕБА И ГРИЖА ЗА ЕЛЕКТРИЧЕСКИЯ ИНСТРУМЕНТ**
  - a) **Не пресилвайте електрически инструмент.** Използвайте правилния електрически инструмент за вашата работа. Правилният електрически инструмент ще свърши работата по-добре и по-безопасно при капацитета за който е проектиран.
  - b) **Не използвайте електрическия инструмент ако ключът не го включва или изключва.** Всеки електрически инструмент, който не може да бъде контролиран от ключа е опасен и трябва да бъде поправен.
  - c) **Разкачете щепсела от захранването и/или извадете батерията, ако може да се извади, от електрическия инструмент, преди да извършите настройка, смяна на аксесоари или съхраняване на инструментите.** Подобни превантивни мерки за безопасност намаляват риска от стартиране на електрическия инструмент инцидентно.
  - d) **Дръжте свободния електрически инструмент извън достъпа до деца и не позволявайте хора, които не са запознати с електрическия инструмент или тези инструкции да работят с него.** Електрическите инструменти са опасни в ръцете на необучени потребители.
  - e) **Поддръжка на електрически инструменти и**

**аксесоари. Проверете за размятане или блокиране на подвижни части, счупване на части, и всякакви други условия, които могат да повлияят на работата на електрическия инструмент.** При повреда ремонтирайте инструмента преди употреба. Много инциденти са причинени от лошо поддържани електрически инструменти.

- f) **Дръжте режещите инструменти остри и чисти.** Правилно поддържани режещи инструменти, с остри режещи ръбове е по-малко вероятно да се заклещат и по-лесно се контролират.
- g) **Използвайте електрическия инструмент, аксесоарите, частите на инструмента и т.н в съответствие с тези инструкции, като вземете предвид условията на работа и вида работа, която ще бъде извършвана.** Употребата на електрическия инструмент за дейности различни от предназначенията може да доведе до опасни ситуации.
- h) **Дръжте ръкохватките и повърхностите за захващане сухи, чисти и без масло и грес.** Хлъзгавите ръкохватки и места за захващане не позволяват безопасно боравене и контролиране на инструмента при неочаквана ситуация.
- 5) **УПОТРЕБА И ГРИЖА ЗА ИНСТРУМЕНТ С БАТЕРИЯ**
  - a) **Презареждайте само със зарядното устройство определено от производителя.** Зарядно устройство, което е подходящо за един вид акумулаторна батерия може да създаде опасност от пожар, когато се използва с друга акумулаторна батерия.
  - b) **Използвайте електрически инструменти само със специфично обозначени акумулаторни батерии.** Използването на всяка друга акумулаторна батерия може да създаде риск от нараняване и пожар.
  - c) **Когато акумулаторните батерии не са в употреба ги дръжте на разстояние от други метални обекти, като кламери, монети, ключове, пирони, отвертки или други малки метални предмети, които могат да направят свързване между клемите.** Свързване на късо на клемите на батерията може да причини изгаряне или пожар.
  - d) **При условия на злоупотреба, може да се изхвърли течност от батерията. Избягвайте контакт. В случай на инцидентен контакт измийте с вода. Ако течността влезе в контакт с очите, потърсете допълнително медицинска помощ.** Течността изхвърлена от батерията може да причини раздразнение или изгаряния.
  - e) **Не използвайте акумулаторна батерия или инструмент, който са повредени или модифицирани.** Повредените или модифицираните батерии може да проявят непредсказуемо поведение, което да доведе до пожар, експлозия или риск от нараняване.
  - f) **Не излагайте батерията или инструмента на огън или прекомерна температура.** Излагане на огън или температури над 130 °C може да причини експлозия.
  - g) **Следвайте всички инструкции за зареждане и не зареждайте батерията или инструмента извън**

температурния обхват зададен в инструкциите. Неправилното зареждане или зареждане извън определения температурен обхват може да повреди батерията и да повиши риска от пожар.

## 6) ОБСЛУЖВАНЕ

- a) **Обслужвайте вашия електрически инструмент чрез квалифициран техник, като използвате само идентични резервни части.** Това ще осигури поддържането на безопасност не електрическия инструмент.
- b) **Никога не поправяйте повредени акумулаторни батерии.** Ремонтът на акумулаторни батерии трябва да бъде извършван от производителя или оторизиран сервиз.

## УКАЗАНИЯ ЗА БЕЗОПАСНА РАБОТА ЗА АКУМУЛАТОРЕН ПЕРФОРАТОР

- **Носете протектори за уши.** Излагането на шум може да причини загуба на слуха
- **Използвайте спомагателна(и) дръжка(и), ако е доставена с инструмента.** Загубата на контрол може да причини телесна повреда
- **Дръжте електроинструмента за изолирани захващащи повърхности при изпълняване на операция, при ноят ренещият аксесоар може да влезе в контакт със скрито окабеляване** (ренещ аксесоар в контакт с „жив“ електрически проводник може да направи изложените метални части на електроинструмента „живи“ и да причини електрически удар на оператора)

## ИНСТРУКЦИИ ЗА БЕЗОПАСНОСТ ПРИ УПОТРЕБА НА ДЪЛГИ СВРЕДЛА С РОТАЦИОННИ УДАРНИ БОРМАШИНИ

- **Винаги започвайте да пробивате с ниска скорост и с върха на свредлото в контакт с детайла.** При по-високи скорости е вероятно свредлото да се огъне, ако се остави да се върти свободно, без да контактува с детайла, което води до нараняване.
- **Прилагайте натиск само в директна линия с накрайника и не прилагайте прекомерен натиск.** Накрайниците могат да се огънат, причинявайки счупване или загуба на контрол, което води до нараняване.

## ОБЩИ

- **Не обработвайте съдържащ азбест материал** (азбестът е канцерогенен)
- Този инструмент не трябва да се използва от лица под 16 години
- Прахът от някои материали, като например съдържаща олово боя, някои видове дървесина, минерали и метали може да бъде вреден (контакт или вдихване на такъв прах могат да причинят алергични реакции и/или респираторни заболявания на оператора или стоящите наблизо лица); **използвайте противопрахова маска и работете с аспириращо прахта устройство, когато такова може да бъде свързано**
- Определени видове прах са класифицирани като карциногенни (като прах от дъб и бук) особено когато са комбинирани с добавки за подобряване на състоянието на дървесината; **използвайте противопрахова маска и работете с аспириращо**

**прахта устройство, когато такова може да бъде свързано**

- Следвайте дефинираните по БДС изисквания относно запрашеността за материалите, които желаете да обработвате

## ПРЕДИ УПОТРЕБА

- Избягвайте повреди, които могат да бъдат причинени от винтове, гвоздеи и други метални елементи в обработвания детайл; отстранете ги преди да започнете работа
- **Обезопасете работния материал** (материал, затегнат в затягащ инструмент или в менгеме е по-устойчив, отколкото ако се държи в ръка)
- **За да откриете скрити под повърхността елентро-, водо- и газопроводи, използвайте подходящи уреди или се обърнете към местното снабдително дружество** (прекъсването на електропроводници под напрежение може да предизвика пожар и/или токов удар; увреждането на газопровод може да предизвика експлозия; засягането на водопровод може да предизвика значителни материални щети и/или токов удар)
- Убедете се че ключът за посоката на въртене В(2) е в средно (блокирано) положение, преди да направите каквито и да било настройки или смени на консумативите или когато транспортирате или прибирате инструментa
- Имайте предвид силите, които възникват в резултат на засядане на свредлото (особено при пробиване на метали); **винаги използвайте спомагателна ръчка J** и поддържайте устойчиво положение на тялото

## АНКСЕСОАРИ

- SKIL може да осигури безаварийна работа на електроинструмента само ако се използват оригинални допълнителни приспособления
- Използвайте само принадлежности, чиято допустима скорост на въртене е поголяма или равна на максималната скорост на въртене на празен ход на електроинструмента

## СЛЕД РАБОТА

- Преди да приберете инструмента, изключете мотора и се уверете, че всички движещи се части са преустановили движението

## АКУМУЛАТОРНИ БАТЕРИИ

- **Доставената в комплектa батерия е частично заредена** (за да осигурите пълен капацитет на батерията, заредете напълно батерията в зарядното устройство за батерия, преди да използвате вашия електроинструмент за първи път)
- **Използвайте само следните батерии и зарядни устройства с този инструмент**
  - SKIL батерия: BR1\*31\*\*\*\*
  - SKIL зарядно устройство: CR1\*31\*\*\*\*
- Не използвайте неизправна батерия; незабавно я заменете
- Не разглобявайте батерията
- Не излагайте на дъжд инструмента/батерията
- Допустима околна температура (инструмент/ зарядното устройство/батерия):
  - при зареждане 4...40°C
  - по време на работа -20...+50°C
  - при съхраняване -20...+50°C

## ОБЯСНЕНИЕ НА СИМВОЛИТЕ ПО ИНСТРУМЕНТА/ АКУМУЛАТОРНАТА БАТЕРИЯ

- ③ Преди употреба прочетете ръководството с указания

- ④ Хвърлен в огън, акумулаторът ще експлодира, така че не изгаряйте акумулатора по каквато и да е причина
- ⑤ Съхранявайте инструмента/зарядното устройство/батерията в помещения при температури, не по-високи от 50°C
- ⑥ Не изхвърляйте електроредите и батерии заедно с битови отпадъци

## УПОТРЕБА

- Зареждане на акумулаторната батерия  
**! прочетете предупрежденията и инструкциите за безопасност, доставени със зарядното устройство**
- Изваждане/инсталиране на батерията ②
- Индикатор за нивото на заряд на батерията ⑦
  - Натиснете бутона за индикатора на нивото на заряд на батерията G за показване на текущото ниво на заряд на батерията ⑦a
  - ! Когато най-ниското ниво на индикатора за батерията започне да мига след натискане на бутона G ⑦b, батерията е разреждана**
  - ! Когато 2 нива на индикатора на батерията започнат да мигат след натискане на бутона G ⑦c, батерията не е в допустимия работен температурен диапазон**
- Защита на батерията  
Инструментът внезапно се изключва или не позволява да се включи, когато
  - натоварването е прекалено голямо -> премахнете натоварването и рестартирайте
  - температурата на батерията е извън допустимия работен температурен диапазон от -20 до +50°C --> 2 нива на индикатора за заряд на батерията започват да мигат, когато натискате бутона G ⑦c; изчакайте, докато батерията си възвърне допустимия работен температурен диапазон
  - батерията е почти празна (за предпазване срещу пълно разреждане) --> ниско ниво на батерията или мигащо ниско ниво на батерията ⑦b е показано чрез индикатора за заряд на батерията, когато натискате бутона G; заредете батерията
- ! след автоматичното изключване на инструмента не продължавайте да натискате спусъка, понеже може да се повреди акумулаторът**
- Обръщане на посоката на въртене ⑧
  - ко не е точно в положение включване/ изключване, превключвателят B ② не може да бъде активиран
  - ! обръщайте посоката на въртене само когато електроредите са напълно спрели**
- Инсталиране и премахване на накрайници ⑨a и ⑨b  
**! почистете и леко смажете накрайника SDS+ преди поставянето му**
  - вкарайте накрайника в затягащия патронник SDS+, като го въртите и натискате докато зацепи; накрайникът се захваща автоматично в нужното положение
  - дръпнете накрайника, за да проверите дали е захванат правилно
  - свалете накрайника като изтеглите назад

затягащата втулка D

**! накрайникът SDS+ изисква свобода на движението, която предизвиква ексцентричност, когато инструментът не е натоварен; при работа обаче накрайникът се центрира автоматично без да нарушава точността на пробиване**

**! не използвайте накрайници с повредена опашка**

- Комбиниран бутон за вклрчване/изклрчване ⑩ и управление на скоростта ⑪
  - управлението на скоростта от нула до максималната стойност се извършва като натискате по-силно или по-слабо превключвателя B
- Избор на режим на работа ⑫
  - включете превключвател C на желания работен режим, докато блокира с щракване
  - 1 = нормално пробиване/завиване на винтове
  - 2 = ударно пробиване
  - 3 = изсичане с въртящ се секач
  - 4 = изсичане с неподвижен секач
- ! изберайте режим на работа само когато инструментът е изключен и батерията е извадена**
  - ударният механизъм се задейства с леко натискане на инструмента, когато свредлото е в контакт с работната повърхност
  - достигането на пълна сила на удара от ударният механизъм отнема известно време
  - най-добро ударно пробиване с перфоратор се получава само с лек натиск на инструмента; скоростта на пробиване няма да се увеличи, ако се натиска по-силно инструмента
- Изсичане с неподвижен секач ⑬  
**! изключете инструмента и извадете батерията**
  - изберете "въртящ" режим на изсичане
  - поставете секача в желаната позиция
  - изберете "неподвижен" режим на изсичане
- LED светлина ⑭
  - светодиодът светва автоматично, когато се активира превключвателят B
- ! когато светодиодната работна светлина започне да мига, защитата на батерията е активирана (вижте по-горе)**
- Държане и насочване на инструмента ⑮  
**! по време на работа, винаги дръжте инструмента за оцветената в сиво област(и) за хващане**
  - винаги използвайте спомагателна ръчка J (нагласа се както е показано на илюстрацията) ⑯
  - оставяйте вентилационните отвори F2 непокрити
  - не прилагайте твърде голям натиск върху инструмента; нека той да свърши работата вместо вас
- Регулиране на дълбочината на пробиване ⑰

## УКАЗАНИЯ ЗА РАБОТА

- Използвайте подходящи накрайници ⑯  
**! използвайте само остри накрайници**
- За пробиване със свредла, които не са SDS, в дърво, метал и пластмаса използвайте адаптер (не е стандартно включен) ⑰

### **! почистете и леко смажете найкрайника SDS+ преди поставянето му**

- изтеглете назад затягащата втулка D и пхнете адаптера в SDS+ патронника, като въртите и натискате докато зацепи; адаптера се захваща автоматично в нужното положение
- дръпнете адаптера, за да проверите дали е захваната правилно
- задайте превключвателя C в положение за нормално пробиване (активирайте само когато инструментът е изключен и превключвателят е заключен)
- При пробиване на цветни метали
  - ако ви трябва голям отвор, първо пробийте малък
  - от време на време смазвайте свредлата с машинно масло
- При завиване на винт в близост до ръба на дървен детайл първо пробийте отвор, за да избегнете откъртане на дървото
- Пробиване без отломки в дърво ⑳
- Безпрахово пробиване в стени ㉑
- Безпрахово пробиване в тавани ㉒
- Пробиване на керамични плочки без плъзгане на свредлото ㉓
- За повече информация вижте [www.skil.com](http://www.skil.com)

## **ПОДДРЪЖКА/СЕРВИЗ**

- Този инструмент не е предназначен за професионална употреба
- Винаги поддържайте инструмента чист (особено вентилационните отвори F ②)
- ! извадете батерията от инструмента преди почистване**
- Ако въпреки прецизното производство и внимателно изпитване възникне повреда, инструмента да се занесе за ремонт в оторизиран сервиз за електроинструменти на SKIL
  - занесете инструмента в неразглобен вид заедно с доказателство за покупката му в търговския обект, откъдето сте го закупили, или в най-близкия сервиз на SKIL (адресите, както и схемата за сервизно обслужване на електроинструмента, можете да намерите на адрес [www.skil.com](http://www.skil.com))
- Имайте предвид, че повреда поради претоварване или неправилно манипулиране с инструмента ще бъдат изключени от гаранцията (за условията на гаранцията от SKIL виж на интернет адрес: [www.skil.com](http://www.skil.com) или попитайте вашия дилър)

## **ОПАЗВАНЕ НА ОКОЛНАТА СРЕДА**

- Не изхвърляйте електроуредите, батерии, приспособленията и опаковките заедно с битови отпадъци (само за страни от ЕС)
  - съобразно Директивата на ЕС 2012/19/ЕО относно износени електрически и електронни уреди и отразяването ѝ в националното законодателство износените електроуреди следва да се събират отделно и да се предават за рециклиране според изискванията за опазване на околната среда
  - символът ⑥ ще ви напомни за това, когато е необходимо изхвърляне
- ! преди да изхвърлите батерията, защитете изводите ѝ с дебела лепенка, за да няма**

опасност от възникване на късо съединение

## **ШУМ / ВИБРАЦИИ**

- Измерено в съответствие с EN62841, нивото на звуковото налягане на този инструмент е 93,4 dB(A), а нивото на звуковата мощност 104,4 dB(A) (неопределеност K = 3 dB), и вибрацията \* (триаксиална векторна сума; неопределеност K = 1,5 m/s<sup>2</sup>)
  - \* при ударно пробиване в бетон 16,2 m/c<sup>2</sup>
  - \* при изсичане 12,8 m/s<sup>2</sup>
- Нивото на предадените вибрации е измерено в съответствие със стандартизирания тест, определен в EN62841; то може да се използва за сравнение на един инструмент с друг и като предварителна оценка на подлагането на вибрации при използването на инструмента за посочените приложения
  - използването на инструмента за различни от тези приложения или с други, или лошо поддържани аксесоари може значително да повиши нивото, на което сте подложени
  - периодите от време, когато инструмента е изключен или съответно включен, но с него не се работи в момента могат значително да намалят нивото на което сте подложени
- ! предпазвайте се от ефектите от вибрациите, като поддържате инструмента и аксесоарите му, пазите ръцете си топли и организирате вашите модели на работа**

SK

## **Bezkomutátorové akumulátorové vrtáče kladio**

3851

## **ÚVOD**

- Tento nástroj je určený na vrtanie s príklepom do betónu, tehál a kameňa ako aj na vrtanie do dreva, kovu, keramiky a plastov; nástroje s elektronickou reguláciou rýchlosti a s rotáciou doľava/ doprava sú tiež vhodné na skrutkovanie a rezanie závitov
- Elektropneumatický vrtací mechanizmus na tomto nástroji má pri vrtaní do betónu vyšší výkon, ako ktorákoľvek vrtáčka s mechanickým príklepom
- Tento nástroj sa môže používať v kombinácii so všetkými štandardnými SDS+ príslušenstvami
- Toto náradie nie je vhodné na profesionálne použitie
- Ak sú niektoré súčasti poškodené, alebo chýbajú, obráťte sa na vášho predajcu
- **Pred použitím si pozorne prečítajte tento návod a uschovajte si ho pre budúce použitie ③**
- **Zvlášť venujte pozornosť bezpečnostným pokynom a upozorneniam; nedodržanie týchto pokynov môže spôsobiť vážne zranenie**

## **TECHNICKÉ ÚDAJE ①**

### **ČASTI NÁRADIA ②**

- A Volič smeru otáčania (dopredu/stredná

- zaistená poloha/dozadu).
- B** Hlavný vypínač a ovládanie rýchlosti
- C** Prepínač na voľbu pracovného režimu
- D** Zaisťovacia objímka
- E** LED svetlo
- F** Vetracie štrbiny
- G** Tlačidlo kontrolky stavu akumulátora
- H** Hĺbkový doraz
- J** Pomocná rukoväť

## BEZPEČNOSŤ

### VŠEOBECNÉ BEZPEČNOSTNÉ UPOZORNENIA PRE ELEKTRICKÉ NÁRADIE

**!** **VAROVANIE** Prečítajte si všetky bezpečnostné výstrahy, pokyny, ilustrácie a technické údaje dodané s týmto elektrickým nástrojom. Nedodržanie nižšie uvedených pokynov môže mať za následok úraz elektrickým prúdom, požiar a/alebo vážne zranenie.

Všetky varovania a pokyny si ponechajte pre prípadnú potrebu v budúcnosti.

Termín „elektrický nástroj“ vo varovaniach znamená- váš elektrický nástroj zapojený (cez kábel) do prívodu elektrickej energie alebo napájaný (bezdrôtovo) z akumulátora.

#### 1) BEZPEČNOSŤ PRACOVISKA

- a) Udržiavajte pracovisko čisté a dobre osvetlené.** Preplnené alebo tmavé miesta znásobujú riziko nehody.
- b) Nepoužívajte elektrické náradie vo výbušnom prostredí, napríklad v prítomnosti horľavých kvapalín, plynov alebo prachu.** Elektrické náradie je zdrojom iskrenia, ktoré môže zapáliť prach alebo výparu.
- c) Pri používaní elektrického náradia udržiavajte deti a okolostojace osoby mimo pracoviska.** Rozptyľovanie pozornosti môže viesť ku strate kontroly.

#### 2) ELEKTRICKÁ BEZPEČNOSŤ

- a) Zástrčka elektrického náradia musí zodpovedať elektrickej zásuvke. Nikdy a žiadnym spôsobom nemodifikujte zástrčku. Nepoužívajte žiadne rozbočovacie zástrčky s uzemneným elektrickým náradím.** Neupravené zástrčky a vhodné zásuvky obmedzia nebezpečenstvo úrazu elektrickým prúdom.
- b) Zabráňte kontaktu tela s uzemnenými povrchmi, ako sú rúry, radiátory, sporáky a chladničky.** Dochádza k zvýšeniu rizika úrazu elektrickým prúdom, ak je vaše telo uzemnené.
- c) Chráňte elektrické náradie pred dažďom a vlhkým prostredím.** Vniknutie vody do elektrického náradia zvyšuje riziko úrazu elektrickým prúdom.
- d) Nepoužívajte kábel nesprávnym spôsobom. Nepoužívajte ho na prenášanie, ťahanie alebo odpájanie elektrického náradia. Udržujte kábel v dostatočnej vzdialenosti od zdrojov tepla, oleja, ostrých hran alebo pohyblivých častí.** Poškodené alebo zamatované káble zvyšujú riziko úrazu elektrickým prúdom.
- e) Ak sa chystáte náradie použiť v exteriéroch, použite výhradne predĺžovaciu šnúru vhodnú na použitie v exteriéroch.** Použitie šnúry vhodnej pre použitie v exteriéroch znižuje riziko úrazu elektrickým prúdom.

**f) Ak je používanie elektrického náradia vo vlhkom prostredí nevyhnutné, použite napájanie chránené prúdovým chráničom (RCD).** Použitie prúdového chrániča znižuje riziko úrazu elektrickým prúdom.

#### 3) BEZPEČNOSŤ OSÔB

- a) Buďte pozorní, sledujte to, čo robíte a používajte zdravý rozum pri práci s elektrickým náradím. Nepoužívajte elektrické náradie, ak ste unavení alebo pod vplyvom drog, alkoholu alebo liekov.** Chvilíková nepozornosť pri práci s elektrickým náradím môže mať za následok vážne zranenie.
  - b) Používajte osobné ochranné pomôcky. Vždy používajte ochranu očí.** Ochranné prostriedky, ako napríklad maska proti prachu, protišmyková obuv, ochranná prilba alebo chrániče sluchu používané v príslušných podmienkach, znižujú riziko poranenia osôb.
  - c) Zabráňte neúmyselnému uvedeniu do prevádzky. Pred pripojením k zdroju napájania a/alebo akumulátoru, pri zdvíhaní alebo prenášaní nástroja sa uistite, že prepínač je vo vypnutej polohe.** Prenášanie elektrického náradia s prstom na vypínači alebo aktivácia elektrického náradia, ktoré má zapnutý vypínač, môže viesť k úrazu.
  - d) Pred spustením náradia vždy odstráňte nastavovací klín alebo kľúč.** Kľúč alebo klín, ktorý necháte pripevnený k otáčajúcej sa časti elektrického náradia, môže spôsobiť zranenie osôb.
  - e) Neprečeňujte sa. Pri práci vždy dodržujte správny postoj a rovnováhu.** To umožní lepšiu ovládateľnosť náradia v nečakaných situáciách.
  - f) Noste vhodné oblečenie. Nenoste šperky alebo voľný odev. Udržujte vlasy a oblečenie mimo dosah pohyblivých častí.** Voľný odev, šperky alebo dlhé vlasy môžu byť zachytené pohyblivými sa dielmi.
  - g) Pokiaľ je náradie vybavené zariadením na zachytávanie prachu a úlomkov materiálu, skontrolujte, či je k náradíu správne pripojené.** Použitie odsávania prachu môže znížiť nebezpečenstvo, ktoré súvisí s prachom.
  - h) Nedovoľte, aby ste sa po získaní skúsenosti častým používaním náradia stali neobozretnými a ignorovali zásady bezpečnosti.** Nedbalá činnosť môže spôsobiť vážne zranenie za zlomok sekundy.
- #### 4) POUŽITIE ELEKTRICKÉHO NÁRADIA A STAROSTLIVOSŤ
- a) Stroj nepreťažujte. Používajte správny typ náradia určený na danú prácu.** Náradie bude pracovať lepšie a bezpečnejšie pri rýchlosti, na ktorú bolo navrhnuté.
  - b) Nepoužívajte elektrické náradie, ak sa nedá zapnúť a vypnúť použitím vypínača.** Akékoľvek elektrické náradie, ktoré sa nedá ovládať vypínačom je nebezpečné a musí sa opraviť.
  - c) Pred akýmkoľvek úpravami, výmenou príslušenstva alebo uskladnením elektrického nástroja odpojte zástrčku od zdroja napájania a/alebo vyberte z nástroja akumulátor, ak je odpojiteľný.** Takéto preventívne a bezpečné opatrenia znižujú riziko náhodného spustenia elektrického náradia.
  - d) Uchovávajte nepoužívané elektronáradie mimo dosahu detí a nedovoľte, aby osoby neoboznámene s elektrickým náradím alebo s týmito pokynmi náradie používali.** Elektrické náradie je nebezpečné v rukách neskúsených používateľov.



- e) **Udržujte elektrické náradie a príslušenstvo. Skontrolujte nastavenie pohyblivých častí, poškodenie dielov a akékoľvek ďalšie okolnosti, ktoré môžu mať vplyv na funkciu elektrického náradia. Ak je elektrické náradie poškodené, nechajte ho pred použitím opraviť.** Veľa úrazov je zapríčinených zle udržiavaným náradím.
- f) **Rezacie náradie udržiavajte ostré a čisté.** Starostlivo ošetrované rezné nástroje s ostrými čepeľami menej pravdepodobne uviaznu a jednoduchšie sa ovládajú.
- g) **Používajte elektronáradie, príslušenstvo, násady apod. podľa týchto pokynov a rešpektujte pritom pracovné podmienky a vykonávanú činnosť.** Použitie elektrického náradia na iné ako určené účely môže viesť k nebezpečným situáciám.
- h) **Udržujte rukoväte a uchopovacie plochy suché, čisté, bez oleja a maziva.** Klzké držadlá a uchopovacie plochy neumožňujú bezpečnú manipuláciu s náradím a jeho ovládanie v nečakaných situáciách.
- 5) POUŽÍVANIE A STAROSTLIVOSŤ O AKUMULÁTOROVÝ NÁSTROJ**
- a) **Nabíjajte len pomocou nabíjačky špecifikovanej výrobcom.** Nabíjačka, ktorá je vhodná pre jeden typ akumulátora, môže predstavovať pri nabíjaní iného typu akumulátora nebezpečenstvo.
- b) **Používajte elektrické náradie iba s výslovné určenými akumulátormi.** Použitie iných typov akumulátorov môže spôsobiť riziko úrazu a požiaru.
- c) **Ak sa akumulátor nepoužíva, držte ho mimo iných kovových predmetov, ako sú sponky, mince, kľúče, klince, skrutkovače alebo iné malé kovové predmety, ktoré by mohli navzájom prepojiť kontakty akumulátora.** Skratovanie kontaktov akumulátora môže spôsobiť popálenie alebo požiar.
- d) **Za nevhodných podmienok môže z akumulátora unikáť kvapalina. Zabráňte kontaktu. Pri náhodnom kontakte opláchnite vodou. Pri zasiahnutí očí vyhľadajte lekársku pomoc.** Unikajúca kvapalina z akumulátora môže spôsobiť podráždenie pokožky alebo popálenie.
- e) **Nepoužívajte akumulátor alebo nástroj, ktorý je poškodený alebo upravený.** Poškodené alebo upravené akumulátory môžu mať nepredvídateľné chovanie, ktoré môže viesť k požiaru, výbuchu alebo nebezpečenstvu poranenia.
- f) **Nevystavujte akumulátor ani nástroj ohňu alebo nadmernej teplote.** Pri vystavení ohňu alebo teplote nad 130 ° C môže dôjsť k výbuchu.
- g) **Dodržujte všetky pokyny pre nabíjanie a nenabíjajte akumulátor alebo náradie mimo teplotného rozsahu uvedeného v pokynoch.** Nesprávne nabíjanie alebo nabíjanie pri teplotách mimo stanovený rozsah môže poškodiť akumulátor a zvýšiť riziko požiaru.
- 6) OPRAVA**
- a) **Náradie zverte do opravy kvalifikovanej osobe, ktorá použije iba originálne náhradné diely.** Zabezpečte tak zachovanie bezpečnosti elektrického náradia.
- b) **Nikdy neopravujte poškodené akumulátory.** Servis akumulátorov smie iba výrobca alebo autorizovaní servisní poskytovatelia.

## BEZPEČNOSTNÉ POKYNY PRE AKUMULÁTOROVÉ KLAĐIVO

- **Noste chrániče sluchu.** Vystavenie hluku môže spôsobiť stratu sluchu
- **Používajte prídavné rukoväte, ak sú dodané s náradím.** Strata kontroly môže spôsobiť zranenie osôb
- **Elektrický nástroj držte za izolované plochy rukovätí pri vykonávaní takej práce, pri ktorej by mohol nástroj natrafiť na skryté elektrické vedenia** (kontakt rezacieho príslušenstva s vedením, ktoré je pod napätím, môže spôsobiť, že aj kovové súčiastky náradia sa dostanú pod napätie, čo môže spôsobiť zásah operátora elektrickým prúdom)


## BEZPEČNOSTNÉ POKYNY PRI POUŽÍVANÍ DLHÝCH VRTÁKOV S VRTACÍMI KLAĐIVAMI

- **Vždy začnite vrtáť pri nízkej rýchlosti s hrotom vrtáka v kontakte s obrobkom.** Pri vyšších rýchlostiach sa vrták pravdepodobne ohne, ak sa nechá voľne otáčať bez kontaktu s obrobkom, čo má za následok zranenie osôb.
- **Tlačte iba v priamej línii s vrtákom a nevyvíjajte nadmerný tlak.** Vrtáky sa môžu ohnúť a spôsobiť zlomenie alebo stratu kontroly, čo môže viesť k zraneniu osôb.

## VŠEOBECNE

- **Neobrábajte materiál, ktorý obsahuje azbest** (azbest sa považuje za rakovinotvorný materiál)
- Tento nástroj nesmú používať osoby mladšie ako 16 rokov
- Prach z materiálu, akým je náter obsahujúci olovo, niektoré druhy dreva, minerály a kovy, môže byť škodlivý (kontakt alebo vdýchnutie prachu môže spôsobiť alergické reakcie a/alebo respiračné ochorenia obsluhy a okolostojacich osôb); **používajte ochrannú masku tváre a pracujte so zariadením na odsávanie prachu, ak je takéto zariadenie možné pripojiť**
- Určité druhy prachu sú klasifikované ako karcinogénne (napr. dubový a bukový prach), a to hlavne v spojení s prísadami na úpravu dreva; **používajte tvárovú ochrannú masku a pracujte so zariadením na odsávanie prachu, ak je takéto zariadenie možné pripojiť**
- Dodržujte stanovené nariadenia pre prácu v prašnom prostredí

## PRED POUŽÍTÍM

- Vyhňte sa poškodeniu, ktoré môžu spôsobiť skrutky, klince a iné prvky vo vašom obrobku; odstráňte ich skôr, ako začnete pracovať
- **Zaistite obrobok** (obrobok upnutý pomocou upínacích zariadení alebo vo zveráku je držaný bezpečnejšie ako rukou)
- **Použite vhodné detektory na nájdenie skrytých inžinierskych sietí alebo zavolajte na pomoc miestnu energetickú spoločnosť** (kontakt s elektrickými vedeniami môže viesť k požiaru alebo úrazu elektrickým prúdom; poškodenie plynového potrubia môže viesť k výbuchu; preniknutie do vodovodného potrubia spôsobí škody na majetku alebo elektrický šok)
- Pred nastavovaním alebo výmenou príslušenstva, ako aj pri prenášaní alebo skladovaní náradia sa uistite, že je volič smeru otáčania B  v strednej (uzamknutej) polohe.
- Dávajte pozor na sily, ktoré vznikajú v dôsledku zaseknutia (najmä pri vrtaní kovov); **vždy používajte prídavnú rukoväť J** a zaujmite bezpečný postoj

## PRÍSLUŠENSTVO

- SKIL zabezpečí hladký chod nástroja, len ak sa používa pôvodné príslušenstvo
- Používajte iba príslušenstvo, u ktorého hodnota prípustných otáčok zodpovedá minimálne najvyšším obrátkam náradia

## PO PRÁCI

- Skôr než nástroj položíte, presvedčte sa že je motor vypnutý a že sú všetky pohyblivé súčiastky zastavené

## AKUMULÁTORY

- **Dodávaný akumulátor je čiastočne nabitý** (pre zaistenie plnej kapacity akumulátor pred prvým použitím elektrického nástroja úplne nabite v nabíjačke akumulátora).
- **S týmto náradím používajte len nasledujúce akumulátory a nabíjačky**
  - Akumulátor SKIL: BR1\*31\*\*\*\*
  - Nabíjačka SKIL: CR1\*31\*\*\*\*
- Nepoužívajte akumulátor, keď je poškodený; musí sa okamžite vymeniť
- Akumulátor nerozoberajte
- Náradie ani akumulátor nevystavujte dažďu
- Povolená teplota okolia (náradie/nabíjačka/akumulátor):
  - pri nabíjaní 4...40 °C
  - pri prevádzke - 20...+ 50 °C
  - pri skladovaní - 20... + 50 °C

## VYSVETLENIE SYMBOLOV UMIESTNENÝCH NA NÁRADÍ/AKUMULÁTORE

- ③ Pred použitím si prečítajte návod na obsluhu
- ④ Akumulátory po vložení do ohňa vybuchnú a preto ich nevhadzujte do ohňa zo žiadneho dôvodu.
- ⑤ Náradie, nabíjačku a akumulátor skladujte na miestach, kde teplota neprekročí 50 °C
- ⑥ Nevhadzujte elektrické náradie a akumulátory do komunálneho odpadu

## POUŽITIE

- Nabíjanie akumulátora
  - ! **prečítajte si bezpečnostné výstrahy a pokyny dodané s nabíjačkou**
- Vybratie/inštalácia akumulátora ②
- Ukazovateľ nabitia akumulátora ⑦
  - stlačením tlačidla ukazovateľa úrovne nabitia akumulátora G zobrazíte aktuálnu úroveň nabitia akumulátora ⑦ a
  - ! **keď po stlačení tlačidla G ⑦b začne blikať najnižšia úroveň ukazovateľa akumulátora, batéria je vybitá**
  - ! **keď po stlačení tlačidla G ⑦c začnú blikať 2 úrovne ukazovateľa akumulátora, akumulátor nie je v povolenom rozsahu prevádzkovej teploty**
- Ochrana akumulátora
  - Náradie sa náhle vypína alebo sa nedá zapnúť v prípade, že je
    - **záťaž príliš vysoká** -> odstráňte záťaž a reštartujte
    - **teplota batérie nie je v povolenom rozsahu prevádzkovej teploty - 20 až + 50 °C** -> 2 úrovne kontrolky úrovne akumulátora začne blikať po stlačení tlačidla G ⑦c; počkajte, kým sa akumulátor vráti do povoleného rozsahu prevádzkovej teploty
    - **batéria je takmer vybitá (na ochranu pred hlbokým vybitím)** -> nízka úroveň nabitia akumulátora alebo blikajúca nízka úroveň nabitia akumulátora ⑦b sa

zobrazí na ukazovateľovi úrovne akumulátora po stlačení tlačidla G; nabite akumulátor

! **potom ako sa náradie automaticky vypne, nestláčajte hlavný vypínač, môže sa poškodiť akumulátor**

- Zmena smeru otáčania ⑧
  - ak nie je správne nastavený v polohe vľavo/vpravo, spínač B ② sa nedá aktivovať
  - ! **meňte smer otáčania, len keď je nástroj úplne nečinný**
- Inštalácia a odstránenie hrotov 9⑨a a ⑨b
  - ! **pred vložením príslušenstvo SDS+ očistite a jemne namažte**
  - vložte príslušenstvo do skľučovadla SDS+ a súčasne ho otáčajte a tlačte, kým nezapadne; príslušenstvo sa automaticky zablokuje
  - skontrolujte potiahnutím, či je príslušenstvo správne uzamknuté
  - vyberte príslušenstvo potiahnutím zaisťovacej objímky D
  - ! **príslušenstvo SDS+ vyžaduje voľnosť pohybu, ktorá spôsobuje excentricitu, keď je nástroj vypnutý; príslušenstvo sa však počas prevádzky automaticky vycentruje bez ovplyvnenia presnosti vrtania**
  - ! **nepoužívajte hroty s poškodenou stopkou**
- Hlavný vypínač ⑩ a ovládanie rýchlosti ⑪
  - plynule regulujte rýchlosť od nuly po maximum menším alebo väčším tlakom na spínač B
- Výber prevádzkového režimu ⑫
  - otočte spínač C do požadovaného prevádzkového režimu, kým nezapadne
    - 1 = normálne vrtanie/skrutkovanie
    - 2 = príklepové vrtanie
    - 3 = sekание s rotačným sekáčom
    - 4 = sekание s pevným sekáčom
  - ! **prevádzkový režim zvolte len vtedy, keď je nástroj vypnutý a akumulátor je vybratý**
  - elektropneumatický vrtací mechanizmus sa zapojí jemným prítlačením na nástroj, keď sa vrták dotkne obrobku
  - na dosiahnutie plného výkonu kladivá elektropneumatický vrtací mechanizmus je potrebný nejaký čas
  - najlepšie výsledky vrtania s príklepom možno dosiahnuť len miernym tlakom na náradie; výkon vrtania sa nezlepší tým, že na nástroj budete vyvíjať väčší tlak
- Sekanie s pevným sekáčom ⑬
  - ! **vypnite nástroj a vyberte akumulátor**
  - zvolte „rotačný“ režim sekania
  - vložte sekáč do požadovanej polohy
  - zvolte "fixný" režim sekania
- LED svetlo ⑭
  - LED-svetlo E sa automaticky rozsvieti pri aktivácii spínača B
  - ! **keď LED pracovné svetlo začne blikať, aktivuje sa ochrana akumulátora (pozri vyššie)**
- Držanie a vedenie nástroja ⑮
  - ! **pri práci držte nástroj vždy za sivo sfarbenú oblasť rukoväte**
  - **vždy používajte prídavnú rukoväť J** (dá sa nastaviť podľa obrázka) ⑮

- vetracie otvory F<sup>②</sup> nechajte nezakryté
- na nástroj príliš netlačte; nechajte nástroj robiť prácu za vás
- Nastavenie hĺbky vrtania 17

## APLIKÁČNÉ RADY

- Používajte vhodné hroty 18
  - ! **používajte len ostré hroty**
- Na vrtanie s vrtákmi bez SDS do dreva, kovu a plastu použite adaptér (nie je štandardne súčasťou balenia) 19
  - ! **pred vložením príslušenstvo SDS+ očistite a jemne namažte**
  - potiahnite zaistovaciu objímku D a vložte adaptér do skľučovadla SDS+, pričom ho otáčajte a tlačte, kým nezapadne; adaptér sa automaticky zablokuje
  - skontrolujte zatiahnutím, či je príslušenstvo správne uzamknuté
  - nastavte spínač C na normálne vrtanie (aktivujte len vtedy, keď je nástroj vypnutý a spínač je zablokovaný)
- Vrtanie železných kovov
  - keď je treba vyvŕtať väčšiu dieru, najskôr predvŕtajte menšiu dieru
  - natrite vrtacie hroty z času na čas olejom
- Pri zaťahovaní skrutky v blízkosti rezu alebo na hrane dreva by sa mala predvŕtať diera, aby sa zabránilo prasknutiu dreva
- Vrtanie do dreva bez triesok 20
- Bezprachové vrtanie do tehál 21
- Bezprachové vrtanie do stropov 22
- Vrtanie do kachličiek bez kĺzania 23
- Ďalšie informácie nájdete na adrese [www.skil.com](http://www.skil.com)

## ÚDRŽBA/SERVIS

- Toto náradie nie je vhodné na profesionálne použitie
- Nástroj udržiajte vždy čistý (najmä vetracie otvory F<sup>②</sup>)
  - ! **pred čistením vyberte akumulátor z náradia**
- Ak by náradie napriek starostlivej výrobe a kontrole predsa len prestalo niekedy fungovať, nechajte opravu vykonať v autorizovanej servisnej opravovni elektrického náradia SKIL
  - nerozobraté náradie zašlite spolu s dokladom o kúpe svojmu predajcovi alebo do najbližšieho servisu SKIL (adresy ako aj servisná schéma náradia sú uvedené na [www.skil.com](http://www.skil.com))
- Uvedomte si, že poškodenie spôsobené preťažením alebo nesprávnym zaobchádzaním bude zo záruky vylúčené (záručné podmienky spoločnosti SKIL nájdete na stránke [www.skil.com](http://www.skil.com) alebo si ich vyžiadajte u vášho predajcu)

## ŽIVOTNÉ PROSTREDIE

- **Nelikvidujte elektrický nástroj, akumulátory, príslušenstvo a obaly spolu s domovým odpadom** (iba pre krajiny EÚ)
  - v súlade s európskou smernicou 2012/19/ES o odpade z elektrických a elektronických zariadení a jej implementácie v súlade s vnútroštátnymi právnymi predpismi musí byť elektrické náradie, ktoré dosiahlo koniec svojej životnosti, zbierané oddelene od ostatného odpadu a musí sa vrátiť do ekologického recyklačného zariadenia
  - pripomenie vám to symbol ⑥, keď nastane čas

likvidácie

! **pred likvidáciou prelepte vývody akumulátora hrubou páskou, aby ste zabránili skratu**

## HLUK / VIBRÁCIE

- Hladina akustického tlaku tohto nástroja, meraná v súlade s EN62841, je 93,4 dB (A) a hladina akustického výkonu 104,4 dB (A) (neurčitost' K = 3 dB) a vibrácie\* (súčet vektorov troch osí; neurčitost' K = 1,5 m/s<sup>2</sup>)
  - \* pri vŕtaní s príklepom do betónu 16,2 m/s<sup>2</sup>
  - \* pri sekaní 12,8 m/s<sup>2</sup>
- Úroveň vibrácií bola meraná v súlade s normalizovaným testom uvedeným v EN62841; môže sa použiť na porovnanie jedného nástroja s druhým a ako predbežné posúdenie vystavenia vibráciám pri použití nástroja na uvedené aplikácie
  - používanie náradia na rôzne aplikácie alebo s rôznym alebo nedostatočne udržiavaným príslušenstvom môže výrazne zvýšiť úroveň expozície
  - časové doby, počas ktorých je náradie vypnuté alebo počas ktorých náradie beží, ale v skutočnosti nevykonáva prácu, môžu značne znížiť úroveň expozície
- ! **chráňte sa pred účinkami vibrácií tak, že budete náradie a jeho príslušenstvo správne udržiavať, že nebudete pracovať so studenými rukami a že si vaše pracovné postupy správne zorganizujete**

HR

## Bežiční rotacijski čekić bez četkica

3851

## UVOD

- Alat je predvíden za bušenje pomoću udarne bušilice u opeci, betonu i kamenu, kao i za bušenje drva, metala, keramike i plastike; to je uređaj s elektroničkom regulacijom broja okretaja i rotacijom desno/lijevo te je prikladan za zavrtanje/odvrtanje vijaka, kao i za rezanje navoja
- Sustav udarne bušilice kod ovog alata znatno je učinkovitiji nego sustav ručne bušilice pri bušenju u betonu
- Alat je predvíden za primjenu u kombinaciji sa svim standardnim SDS+ dijelovima pribora
- Ovaj alat nije predvíden za profesionalnu upotrebu.
- Ako vam dijelovi nedostaju ili su oštećeni, obratite se svom dobavljaču
- **Prije uporabe pažljivo pročitajte ovaj priručnik s uputama i spremite ga za kasniju uporabu ③**
- **Posebnu pažnju obratite na upute i upozorenja u vezi sigurnosti; ako ih se ne pridržavate, moglo bi doći do ozbiljnih ozljeda**

## TEHNIČKI PODACI ①

## DIJELOVI ALATA ②

- A Birač smjera rotacije (naprijed/fiksirano u sredini/unatrag)

- B Prekidač za uključivanje/isključivanje i regulaciju brzine
- C Prekidač za biranje načina rada
- D Sigurnosni prsten
- E LED svjetlo
- F Ventilacijski otvori
- G Gumb indikatora razine napunjenosti baterije
- H Graničnik dubine bušenja
- J Pomoćna ručka

## SIGURNOST

### OPĆA UPOZORENJA U VEZI SIGURNOSTI ZA ELEKTRIČNI ALAT

**UPOZORENJE** Pročitajte sva upozorenja, upute, ilustracije u vezi sigurnosti i tehničke podatke isporučene s ovim električnim alatom. Zanemarivanje svih uputa navedenih u nastavku može rezultirati strujnim udarom, požarom i/ili teškim ozljedama.

**Sačuvajte sva upozorenja i sve upute za buduće potrebe.**

Pojam „električni alat“ u upozorenjima odnosi se na električni alat s napajanjem iz električne mreže (s kabelom) ili na električni alat s napajanjem iz baterije (bez kabela).

#### 1) SIGURNOST RADNOG PODRUČJA

- a) **Radno područje održavajte čistim i dobro osvijetljenim.** Pretrpana ili mračna područja izazivaju nesreće.
- b) **Električnim alatom nemojte rukovati u eksplozivnim atmosferama, primjerice u prisutnosti zapaljivih tekućina, plinova ili prašine.** Električni alat stvara iskre koje mogu zapaliti prašinu ili isparenja.
- c) **Udaljite djecu i promatrače za vrijeme rada s električnim alatom.** Ometanja mogu rezultirati gubitkom kontrole nad alatom.

#### 2) ELEKTRIČNA SIGURNOST

- a) **Utikači električnog alata moraju odgovarati utičnici. Nikad ne radite preinake utikača. Utikače s adapterom nemojte koristiti s uzemljenim alatima.** Nepreinačeni utikači i odgovarajuće utičnice smanjit će rizik od električnog udara.
- b) **Izbjegavajte kontakt tijela s uzemljenim površinama, kao što su slavine, radijatori, peći i hladnjaci.** Rizik od električnog udara je veći ako je vaše tijelo uzemljeno.
- c) **Električni alat ne izlažite kiši ili mokrim uvjetima.** Prodor vode u električni alat povećat će rizik od električnog udara.
- d) **Kabel ne upotrebljavajte nepropisno. Kabel nemojte upotrebljavati za nošenje, povlačenje ili odspajanje električnog alata od električnog napajanja. Kabel držite dalje od izvora topline, ulja, oštrih rubova ili pokretnih dijelova.** Oštećeni ili prignječeni kabeli povećavaju rizik od električnog udara.
- e) **Kada električnim alatom radite na otvorenom, upotrebljavajte produžni kabel prikladan za upotrebu na otvorenom.** Uporaba kabela prikladnog za uporabu na otvorenom smanjuje rizik od električnog udara.
- f) **Ako je rad s električnim alatom u području s parom neizbježan, upotrebljavajte napajanje sa zaštitnim uređajem diferencijalne struje (RCD).** Uporaba zaštitnog uređaja diferencijalne struje smanjuje rizik od strujnog udara.

#### 3) OSOBNA SIGURNOST

- a) **Budite oprezni, gledajte što radite i vodite se načelima zdravog razuma kada radite s električnim alatom. Nemojte raditi s električnim alatom ako ste umorni ili pod utjecajem droge, alkohola ili lijekova.** Trenutak nepažnje tijekom rada s električnim alatom može rezultirati teškim tjelesnim ozljedama.
  - b) **Upotrebljavajte osobnu zaštitnu opremu. Obavezno nosite zaštitu za oči.** Osobna zaštitna oprema kao što je maska protiv prašine, zaštitne cipele s potplatama protiv klizanja, zaštitna kaciga ili štitnici za sluh, koja se koristi za odgovarajuća stanja, umanjit će opasnost od ozljede.
  - c) **Spriječite nenamjerno pokretanje. Prije spajanja na izvor napajanja i/ili baterijski modul, uzimanja ili nošenja alata uvjerite se da se prekidač nalazi u isključenom položaju.** Nošenje električnih alata s prstom na sklopci ili napajanje električnih alata koji imaju uključenu sklopku izaziva nesreće.
  - d) **Prije uključivanja električnog alata, uklonite sve ključeve za podešavanje ili stezne ključeve.** Ključ ili ključ za podešavanje ostavljen na rotacijskom dijelu električnog alata može rezultirati tjelesnim ozljedama.
  - e) **Nemojte se naginjati preko alata. Cijelo vrijeme održavajte propisno držanje i ravnotežu.** To će omogućiti bolju kontrolu nad električnim alatom u neočekivanim situacijama.
  - f) **Obucite se prikladno. Ne nosite široku odjeću ili nakit. Kosu i odjeću držite dalje od pokretnih dijelova.** Široka odjeća, nakit ili duga kosa može se zahvatiti pokretnim dijelovima.
  - g) **Ako su uređaji opremljeni priključkom za odvod i sakupljanje prašine, pobrinite se da se propisno spoje i upotrebljavaju.** Uporaba takve opreme umanjuje opasnost koja nastaje nakupljanjem prašine.
  - h) **Nemojte dopustiti da vas poznavanje alata stečeno čestom upotrebom učini samodopadnim te da ignorirate sigurnosna načela za alat.** Nepažljiv rad može rezultirati teškim ozljedama u djeliću sekunde.
- #### 4) UPORABA I NJEGA ELEKTRIČNOG ALATA
- a) **Ne forsirajte električni alat. Upotrebljavajte propisani električni alat za primjenu.** Propisani električni alat bolje će i sigurnije obaviti zadatak brzinom za koju je konstruiran.
  - b) **Nemojte upotrebljavati električni alat ako ga prekidač ne uključuje i isključuje.** Svaki električni alat koji se ne može kontrolirati prekidačem opasan je i potrebno ga je popraviti.
  - c) **Prije podešavanja, zamjene dodatne opreme ili skladištenja električnih alata odspojite utikač od izvora napajanja i/ili uklonite baterijski modul, ako je odvojiv, s električnog alata.** Takve preventivne mjere sigurnosti smanjuju rizik od iznenadnog pokretanja električnog alata.
  - d) **Nekoristene električne alate skladištite izvan dohvata djece i nemojte dopustiti osobama koje ne poznaju električni alat ili ove upute da rukuju električnim alatom.** Električni alati opasni su u rukama neobučenih korisnika.
  - e) **Održavajte električne alate i dodatnu opremu.**

- Provjerite jesu li pokretni dijelovi centrirani ili spojeni, da nema polomljenih dijelova i da nema stanja koja mogu utjecati na rad električnog alata. Ako je oštećen, električni alat dajte na popravak prije uporabe. Loše održavani električni alati uzrok su mnogih nesreća.
- f) **Rezne alate održavajte oštrima i čistima.** Propisno održavani rezni alati s oštrim reznim bridovima manje su skloni zaglavljivanju i lakši su za upravljanje.
- g) **Električni alat, dodatnu opremu i alatne nastavke i sl., upotrebljavajte u skladu s ovim uputama, uzimajući u obzir radne uvjete i zadatke koji je potrebno obaviti.** Uporaba električnog alata za radove drukčija od namjenske može rezultirati opasnim situacijama.
- h) **Rukovhate i površinu rukohvata održavajte suhim, čistim i očišćenim od ulja i masti.** Skliski rukohvati i skliske površine rukohvata onemogućuju sigurno rukovanje i upravljanje alatom u neočekivanim situacijama.
- 5) **UPORABA I NJEGA BATERIJSKOG ALATA**
- a) **Punjenje obavljajte samo s punjačem kojeg je propisao proizvođač.** Punjač koji je prikladan za jedan tip baterijskog modula može stvoriti rizik od požara ako ga se upotrebljava s drugim baterijskim modulom.
- b) **Električni alat upotrebljavajte samo s izričito propisanim baterijskim modulima.** Uporaba drugih baterijskih modula može stvoriti rizik od ozljeda i požara.
- c) **Kad se baterijski modul ne upotrebljava, držite ga podalje od drugih metalnih predmeta poput spajalica za papir, kovanica, ključeva, čavala, vijaka ili drugih malih metalnih predmeta koji mogu međusobno spojiti kontakte.** Kratko spajanje baterijskih kontakata može prouzročiti opekline ili požar.
- d) **U slučaju neprimjerene uporabe, baterija može izbaciti tekućinu; izbjegavajte kontakt. Ako slučajno dođe do doticaja, mjesta doticaja isperite vodom. Ako tekućina dođe u doticaj s očima, dodatno potražite pomoć liječnika.** Tekućina koju izbacila baterija može prouzročiti nadraženost kože ili opekline.
- e) **Ne upotrebljavajte oštećen ili preinačen baterijski modul ili alat.** Oštećene ili preinačene baterije mogu se ponašati nepredvidljivo i dovesti do požara, eksplozije ili opasnosti od ozljede.
- f) **Baterijski modul ili alat ne izlažite vatri ili previsokoj temperaturi.** Izrgavanje vatri ili temperaturi višoj od 130 °C može prouzročiti eksploziju.
- g) **Pri održavanju se svih uputa za punjenje, a baterijski modul ili alat nemojte puniti izvan raspona temperature navedenog u uputama.** Nepropisno punjenje ili punjenje pri temperaturama izvan okvira određenog raspona može oštetiti bateriju i povećati opasnost od požara.
- 6) **SERVISIRANJE**
- a) **Servisiranje električnog alata prepustite kvalificiranom osoblju za popravak koje upotrebljava samo identične zamjenske dijelove.** Time će se osigurati održavanje sigurnosti električnog alata.
- b) **Ne servisirajte oštećene baterijske module.** Servisiranje baterijskog modula smiju obavljati samo proizvođač ili ovlašteni serviseri.

## UPUTE ZA SIGURAN RAD ZA AKUMULATORSKU

## UDARNU BUŠILICU

- **Nosite zaštitu za sluh.** Izloženost buci može rezultirati gubitkom sluha.
- **Koristite pomoćne ručke, ako su isporučene s alatom.** Ako izgubite nadzor, možete se ozlijediti.
- **Kada obavljate radove gdje rezni pribor može doći u kontakt sa sakrivenim ožičenjem** (rezni pribor koji dođe u kontakt sa žicom pod naponom izložene metalne dijelove električnog alata može staviti pod napon i prouzročiti strujni udar), **električni alat držite za izolirane površine ručke.**

## UPUTE U VEZI SIGURNOSTI PRI UPOTREBI DUGAČKIH SVRDALA S VIBRACIJSKIM BUŠILICAMA

- **Uvijek počnite bušiti pri niskoj brzini i s vrhom svrdla u kontaktu s obratkom.** Pri višim brzinama svrdlo se može saviti ako se dopusti slobodno okretanje bez doticanja obratka, što može rezultirati tjelesnim ozljedama.
- **Primijenite pritisak samo u izravnoj liniji sa svrdlom i nemojte primjenjivati prekomjerni pritisak.** Svrdla se mogu saviti i prouzročiti lom ili gubitak kontrole, što može rezultirati tjelesnim ozljedama.

## OPĆE

- **Ne obrađujte materijal koji sadrži azbest** (azbest se smatra kancerogenim)
- Ovaj alat ne smiju upotrebljavati osobe mlađe od 16 godina.
- Prašina od materijala kao što su boje koje sadrže olovo, neke vrste drveća, minerali i metal mogu biti opasne (dodir s prašinom ili njeno udisanje mogu prouzročiti alergične reakcije i/ili respiratorna oboljenja rukovatelja ili promatrača); **nosite masku za zaštitu od prašine i radite s uređajem za ekstrakciju prašine ukoliko ga možete priključiti**
- Određene vrste prašine klasificiraju se kao karcinogene (kao što su prašina hrastovine i bukovine), osobito u zajedno s aditivima za kondicioniranje drveta; **nosite masku za zaštitu od prašine i radite s uređajem za ekstrakciju prašine ukoliko ga možete priključiti**
- Pridržavajte se nacionalnih zahtjeva za prašinu za materijale s kojima namjeravate raditi.

## PRIJE UPOTREBE

- Izbjegavajte oštećenja koja mogu uzrokovati vijci, čavli i drugi elementi u vašem obratku; uklonite ih prije početka rada.
- **Osigurajte obradak** (obradak stegnut u stezaljkama ili u škripcu drži se sigurnije nego rukom).
- **Upotrijebite odgovarajuće detektore za pronalazak skrivenih vodova ili nazovite lokalno poduzeće za pomoć** (kontakt s električnim vodovima može dovesti do požara ili strujnog udara; oštećenje plinskih cijevi može rezultirati eksplozijom; probijanje vodovodnih cijevi prouzročit će materijalnu štetu ili strujni udar).
- Prije podešavanja, promjene pribora, prenošenja ili spremanja alata birač smjera rotacije B(2) obavezno postavite u srednji položaj (zaključano).
- Treba obratiti pozornost na nastale sile kod blokiranja alata (posebno kod bušenja metala); **uvijek upotrebljavajte pomoćnu ručku J** i zauzmite siguran i stabilan položaj tijela

## PRIBOR

- SKIL može jamčiti besprijekoran rad alata samo ako se

upotrebljava originalni pribor.

- Upotrebljavajte samo pribor s dopuštenom brzinom koja je u skladu s najmanje maksimalnom brzinom alata bez opterećenja.

#### NAKON UPOTREBE

- Kada odložite alat, isključite motor i provjerite jesu li se svi pokretni dijelovi potpuno zaustavili.

#### BATERIJE

- **Isporučena baterija djelomično je napunjena** (kako biste osigurali potpuni kapacitet baterije, prije prve upotrebe električnog alata bateriju potpuno napunite u punjaču baterije).
- **S ovim alatom upotrebljavajte samo sljedeće baterije i punjače:**
  - Baterija marke SKIL: BR1\*31\*\*\*\*
  - SKIL punjač: CR1\*31\*\*\*\*
- Nemojte upotrebljavati oštećenu bateriju; oštećenu bateriju potrebno je odmah zamijeniti.
- Nemojte rastavljati bateriju.
- Alat/bateriju nemojte izlagati kiši.
- Dopuštena temperatura okruženja (alat/punjač/baterija):
  - pri punjenju 4...40 °C
  - tijekom rada -20...+50 °C
  - za vrijeme skladištenja -20...+50 °C

#### OBJAŠNJENJE SIMBOLA NA ALATU/BATERIJI

- ③ Prije upotrebe pročitajte korisnički priručnik
- ④ Baterije mogu eksplozivirati ako se odlože u vatru, stoga ih nemojte spaljivati.
- ⑤ Alat/punjač/bateriju skladištite na mjestima gdje temperatura ne prelazi 50 °C.
- ⑥ Električne alate i baterije nemojte zbrinjavati s kućnim otpadom.

#### UPOTREBA

- Punjenje aku-baterije
  - ! **Pročitajte sigurnosna upozorenja i upute isporučene s punjačem.**
- Uklanjanje/ugradnja baterije ②
- Indikator razine napunjenosti baterije ⑦
  - Za prikaz trenutačne razine napunjenosti baterije ⑦a pritisnite gumb indikatora razine napunjenosti baterije G.
  - ! **Kada nakon pritiska na gumb G ⑦b najniža razina indikatora razine napunjenosti baterije počne treperiti, baterija je prazna.**
  - ! **Kada nakon pritiska na gumb G ⑦c 2 razine indikatora razine napunjenosti baterije počnu treperiti, baterija nije u okviru dopuštenog raspona radne temperature.**
- Zaštita baterije
  - Alat se iznenada isključuje ili se neće uključiti kada
    - **je opterećenje previsoko** --> uklonite opterećenje i ponovno pokrenite
    - **temperatura baterije nije u okviru dopuštenog raspona radne temperature od -20 °C do +50 °C** --> 2 razine indikatora razine napunjenosti baterije počnu treperiti kada se pritisne gumb G ⑦c; pričekajte da se baterija vrati u dopušteni raspon radne temperature.
    - **je baterija skoro prazna (za zaštitu od dubokog pražnjenja)** --> kada pritisnete gumb G, indikator razine napunjenosti baterije prikazuje nisku razinu napunjenosti baterije ili treperavu nisku razinu napunjenosti baterije ⑦b; napunite bateriju.

! **Nemojte nastaviti pritiskati prekidač za uključivanje/isključivanje nakon automatskog isključivanja alata; može se oštetiti baterija.**

- Promjena smjera rotacije ⑧
  - Ako nije propisno podešen u lijevi/desni položaj, prekidač B ② nije moguće aktivirati.
  - ! **Smjer rotacije mijenjajte samo kada je alat potpuno u stanju mirovanja.**
- Ugradnja i uklanjanje nastavaka ⑨a i ⑨b
  - ! **očistite i lagano podmažite SDS+ pribor prije umetanja**
    - umetnite alat u SDS+ steznu glavu, uz okretanje i gurnite je dok se ne uglati; alat će automatski uskočiti u svoj položaj
    - povucite za pribor kako bi provjerili da li je propisno osiguran
    - izvucite alat potezanjem natrag sigurnosni prsten D
  - ! **SDS+ pribor mora se moći nesmetano pomicati; to dovodi do ekscentričnih gibanja ako je alat neopterećen; međutim, pribor, se automatski centrirá tijekom rada, a da to utječe na točnost bušenja**
  - ! **Nemojte upotrebljavati bitove oštećenog tijela.**
- Kombinirana sklopka za uključivanje/isključivanje ⑩ i regulaciju brzine ⑪
  - kontinuirano regulirajte brzinu od nule do maksimuma manjim ili većim pritiskom na prekidač B
- Biranje načina rada ⑫
  - okrenite prekidač C u željeni način rada dok se ne zaustavi i blokira
    - 1 = normalno bušenje/odvijanje
    - 2 = udarno bušenje
    - 3 = dlijetanje rotirajućim dlijetom
    - 4 = dlijetanje fiksnim dlijetom
  - ! **odaberite način rada samo kada je alat isključen i baterija izvađena**
    - mehanika čekić bušenja aktivira se putem manjeg pritiska na alat kada svrdlo dođe u dodir sa radnim predmetom
    - postizanje pune udarne snage mehanike čekić bušenja traje kratko vrijeme
    - najbolji rezultati bušačkog čekića postižu se kada se laganim pritiskom djeluje na alat; učinak bušenja ne može se povećati primjenom većeg pritiska na alat
- Dlijetanje fiksnim dlijetom ⑬
  - ! **isključite alat i izvadite bateriju**
    - odaberite "rotirajući" način djelanja
    - stavite dlijeto u željeni položaj
    - odaberite "fiksni" način djelanja
- LED svjetlo ⑭
  - LED svjetlo automatski se pali pri aktivaciji prekidača B
  - ! **Kada LED svjetlo počne treperiti, aktivira se zaštita baterije (vidi dalje u tekstu).**
- Držanje i vođenje alata ⑮
  - ! **Tijekom rada alat uvijek držite za sivo područje ručke**
    - **uvijek koristite pomoćnu ručku J** (može se podestiti kako je prikazano) ⑯
    - Ventilacijske otvore F ② držite nepokrivenima.
    - Nemojte previše pritiskati alat; neka alat obavi posao umjesto vas.
- Namještanje dubine bušenja ⑰

## SAVJETI ZA PRIMJENU

- Upotrebljavajte odgovarajuće bitove <sup>(18)</sup>.
- ! **Upotrebljavajte samo oštre bitove.**
- Za bušenje drva, metala i plastike pomoću bitova bušilice koji nisu SDS, upotrijebite priključak (nije standardno uključen) <sup>(19)</sup>.
- ! **očistite i lagano podmažite SDS+ pribor prije umetanja**
  - sigurnosni prsten D povucite natrag i umetnite adapter u SDS+ steznu glavu, uz okretanje i umetanje, sve dok ne uskoči; adapter će se automatski uglaviti u svojem položaju
  - povucite za adapter, kako bi provjerili da li propisno osiguran
  - prekidač C prebacite u položaj normalnog bušenja (pritisnuti samo kad je alat isključen i prekidač zaključan)
- Kod bušenja crnih metala
  - Prethodno izbušite manju rupu ako je potrebna velika rupa.
  - Svrldo povremeno podmažite uljem.
- Pri navijanju vijka na/u području poprečnog reza ili ruba drva, prethodno izbušite rupu da izbjegnute pucanje drva.
- Bušenje u drvu bez iverja <sup>(20)</sup>
- Bušenje u zidovima bez prašine <sup>(21)</sup>
- Bušenje u stropovima bez prašine <sup>(22)</sup>
- Bušenje u pločicama bez sklizavanja <sup>(23)</sup>
- Više informacija potražite na internetskoj stranici [www.skil.com](http://www.skil.com).

## ODRŽAVANJE/SERVISIRANJE

- Ovaj alat nije predviđen za profesionalnu upotrebu.
- Alat uvijek održavajte čistim (posebno ventilacijske otvore <sup>F(2)</sup>).
- ! **Prije čišćenja izvadite bateriju iz alata.**
- Ako se dogodi da je alat neispravan unatoč pažljivoj proizvodnji i testiranju, popravak treba obaviti ovlaštenu servisni centar za električne alate proizvođača SKIL.
  - pošaljite alat nerastavljen, zajedno s računom o kupnji u najbližu SKIL ugovornu servisnu radionicu (adrese servisa kao i oznake rezervnih dijelova alata možete naći na adresi [www.skil.com](http://www.skil.com))
- Imajte na umu kako jamstvo ne obuhvaća štete nastale zbog preopterećenja ili nepravilnog rukovanja alatom (za uvjete iz SKIL jamstva, posjetite [www.skil.com](http://www.skil.com) ili upitajte svog prodavača)

## ZAŠTITA OKOLIŠA

- **Električne alate, baterije, pribor i ambalažu nemojte zbrinjavati s kućanskim otpadom** (samo za zemlje EU).
  - U skladu s europskom Direktivom 2012/19/EZ o otpadnoj električnoj i električkoj opremi i njenoj implementaciji u nacionalno zakonodavstvo, električni alati koji su dostigli kraj radnog vijeka moraju se odvojeno prikupljati i slati na ekološki prihvatljivo recikliranje.
  - Simbol <sup>(6)</sup> će vas podsjetiti kada trebate obaviti zbrinjavanje.
- ! **Prije zbrinjavanja zaštitite kontakte baterije debelom ljepljivom trakom da spriječite kratki spoj.**

## BUKA/VIBRACIJE

- Izmjereno u skladu s normom EN 62841, razina zvučnog tlaka ovog alata je 93,4 dB(A), a razina zvučne snage je 104,4 dB(A) (nesigurnost K = 3 dB), a vibracija\* (zbroj vektora troosnog sustava; nesigurnost K = 1,5 m/s<sup>2</sup>)
  - \* pri udarnom bušenju u betonu 16,2 m/s<sup>2</sup>
  - \* pri dlijetanju 12,8 m/s<sup>2</sup>
- Razina emisije vibracija izmjerena je u skladu sa standardiziranim testom prema normi EN 62841; može se upotrebljavati za usporedbu jednog alata s drugim i kao preliminarna procjena izloženosti vibracijama pri upotrebi alata za navedene primjene.
  - uporaba alata za druge namjene ili s drugim ili slabo održavanim priborom može u značajnoj mjeri **povećati** razinu izloženosti
  - vrijeme tijekom kojega je alat isključen ili je uključena ali se njime ne radi, može značajno **smanjiti** razinu izloženosti
- ! **zaštitite se od posljedica vibracija održavanjem alata i njegovog pribora, održavanjem topline ruku, te organiziranjem načina rada**

(SRB)

## Bežični rotacioni udarač bez četkica

3851

## UVOD

- Alat je namenjen za udarno bušenje betona, cigle, kamena kao i bušenje drveta, metala, keramike i plastike; alat sa elektronskom kontrolom brzine i levom/desnom rotacijom je takođe pogodan za uvrtanje šrafova
- Sistem bušenja sa čekićem koji ovaj alat poseduje omogućava prevazilaženje tradicionalnog mukotrpnog bušenje u betonu
- Ovaj alat podržava upotrebu svih standardnih SDS+ pribora
- Ovaj alat nije namenjen za profesionalnu upotrebu
- U slučaju da delovi nedostaju ili su oštećeni, kontaktirajte svog prodavca
- **Pre upotrebe pažljivo pročitajte ovaj priručnik sa uputstvima i sačuvajte ga za buduću upotrebu** <sup>(3)</sup>
- **Posebno obratite pažnju na uputstva o bezbednosti i upozorenja; ukoliko ih ne sledite može da dođe do ozbiljnih povreda**

## TEHNIČKI PODACI <sup>(1)</sup>

### ELEMENTI ALATA <sup>(2)</sup>

- A** Selektor smera rotacije (napred/centar-stop/nazad)
- B** Prekidač za uključivanje/isključivanje i kontrolu brzine
- C** Prekidač za biranje režima rada
- D** Stezni naglavak
- E** LED-svetlo
- F** Prorezi za ventilaciju
- G** Dugme indikatora nivoa baterije
- H** Merač dubine
- J** Pomoćna ručica

## SIGURNOST

### OPŠTA SIGURNOSNA UPOZORENJA ZA ELEKTRIČNI ALAT

**⚠ UPOZORENJE** Pročitajte sva sigurnosna upozorenja, uputstva, ilustracije i specifikacije priložene uz ovaj električni alat. Nepridržavanje svih dolenađenih uputstava može da dovede do strujnog udara, požara i/ili ozbiljne povrede.

Sačuvajte sva upozorenja i uputstva za buduću upotrebu.

Pojam „električni alat“ u upozorenjima označava električni alat (sa žicom) koji se uključuje u utičnicu ili električni alat (bežični) na baterije.

#### 1) BEZBEDNOST NA RADNOM PODRUČJU

- a) **Održavajte radno područje čistim i dobro osvetljenim.** Na pretrpanim ili mračnim područjima su veće šanse da dođe do nezgode.
  - b) **Ne koristite električne alate u eksplozivnim atmosferama, kao na primer u prisustvu zapaljivih tečnosti, gasova ili prašine.** Električni alat stvara varnice koje mogu zapaliti prašinu ili isparenja.
  - c) **Držite decu i prolaznike podalje dok koristite električni alat.** Ako vam nešto odvraća pažnju, možete izgubiti kontrolu.
- #### 2) ELEKTRIČNA BEZBEDNOST
- a) **Utičač električnog alata mora odgovarati utičnici.** Nikada ne modifikujete utikač ni na koji način. Ne koristite adapterske utikače sa uzemljenim električnim alatom. Nemodifikovani utikači i odgovarajuće utičnice će smanjiti rizik od strujnog udara.
  - b) **Izbegavajte kontakt delova tela sa uzemljenim površinama, poput cevi, radijatora, šporeta i frižidera.** Postoji povećan rizik od strujnog udara ako je vaše telo uzemljeno.
  - c) **Ne izlažite električne alate kiši ili mokrim uslovima.** Voda koja uđe u električni alat povećaće rizik od strujnog udara.
  - d) **Nemojte zloupotrebljavati kabl.** Nikada ne koristite kabl za nošenje, vučenje ili isključivanje iz utičnice električnog alata. Čuvajte kabl podalje od toplote, ulja, oštih ivica ili pokretnih delova. Oštećeni ili upetljani kablovi povećavaju rizik od strujnog udara.
  - e) **Kada koristite električni alat na otvorenom prostoru, koristite produžni kabl pogodan za korišćenje na otvorenom prostoru.** Upotreba kabla pogodnog za korišćenje na otvorenom prostoru smanjuje rizik od strujnog udara.
  - f) **Ako je korišćenje električnog alata u vlažnom području neizbežno, koristite izvor napajanja sa zaštitnim uređajem diferencijalne struje (RCD).** Korišćenje RCD smanjuje rizik od strujnog udara.

#### 3) LIČNA BEZBEDNOST

- a) **Ostanite u pripravnosti, pazite šta radite i koristite zdrav razum kada koristite električni alat.** Ne koristite električni alat kada ste umorni ili pod uticajem droga, alkohola ili lekova. Trenutak nepažnje kada koristite električni alat je dovoljan da izazove ozbiljne telesne povrede.

- b) **Koristite ličnu zaštitnu opremu. Uvek nosite zaštitu za oči.** Zaštitna oprema poput maske za prašinu, radnih cipela koje se ne klizaju, šlema ili zaštite sluha će, kada se koristi za odgovarajuće uslove, smanjiti telesne povrede.
  - c) **Sprečite nehotično pokretanje. Osigurajte da prekidač bude u isključenom položaju pre povezivanja na izvor napajanja i/ili bateriju, podizanja ili nošenja alata.** Nošenje električnih alata sa prstom na prekidaču ili uključivanje u utičnicu električnih alata čiji prekidač je u uključenom položaju priziva nezgode.
  - d) **Uklonite sve ključeve za podešavanje pre uključivanja električnog alata.** Ključ koji ostane pričvršćen za rotacioni deo električnog alata može da izazove telesnu povredu.
  - e) **Ne presežite. U svakom trenutku održavajte pravilan položaj nogu i ravnotežu.** To omogućava bolju kontrolu električnog alata u neočekivanim situacijama.
  - f) **Prikladno se obucite. Ne nosite labavu odeću ili nakit. Držite kosu i odeću dalje od pokretnih delova.** Labava odeća, nakit ili duga kosa mogu da se zakače pokretnim delovima.
  - g) **Ako su priloženi uređaji za povezivanje delova za izbacivanje i prikupljanje prašine, osigurajte da oni budu povezani i da se pravilno koriste.** Upotreba kolektora prašine može da smanji opasnosti koje izaziva prašina.
  - h) **Ne dozvolite da zbog poznavanja koje ste stekli kroz čestu upotrebu alata postanete samozadovoljni i ignorišete principe bezbednosti alata.** Nemarni postupak može da izazove ozbiljnu povredu u deliću sekunde.
- #### 4) UPOTREBA I ODRŽAVANJE ELEKTRIČNOG ALATA
- a) **Ne silite električni alat. Koristite odgovarajući električni alat za ono što radite.** Odgovarajući električni alat uradiće posao bolje i bezbednije onom brzinom za koju je dizajniran.
  - b) **Ne koristite električni alat ako ga prekidač ne uključuje i isključuje.** Svaki električni alat koji se ne može kontrolisati prekidačem je opasan i mora se popraviti.
  - c) **Izvučite utikač iz izvora napajanja i/ili izvadite bateriju, ako je odvojiva, iz električnog alata pre bilo kakvog podešavanja, menjanja dodataka ili skladištenja električnog alata.** Takve preventivne sigurnosne mere smanjuju rizik od nehotičnog startovanja električnog alata.
  - d) **Skladištite isključene električne alate van domašaja dece i ne dozvolite osobama koje nisu upoznate sa ovim električnim alatom ili ovim uputstvom da rukuju električnim alatom.** Električni alat je opasan u rukama nekalifikovanih korisnika.
  - e) **Održavajte električni alat i dodatke. Proverite pravilno poravnanje ili spojeve pokretnih delova, lomljenje delova i sva druga stanja koja mogu da utiču na rad električnog alata. Ako je oštećen, odnesite električni alat na popravku pre upotrebe.** Mnoge nezgode su izazvane loše održanim električnim alatom.
  - f) **Održavajte alate koji seku oštirim i čistim.** Pravilno održavani alati za sečenje sa oštirim ivicama za sečenje se ređe zapetljavaju i lakše se kontrolišu.
  - g) **Koristite električni alat, dodatke, delove itd. u skladu**



sa ovim uputstvom, uzimajući u obzir radne uslove i rad koji treba obaviti. Korišćenje električnog alata za rad drugačiji od predviđenog moglo bi da dovede do opasne situacije.

- h) **Održavajte drške i površine koje hvatate suvim, čistim i bez ulja i masnoće.** Klizave drške i površine koje hvatate ne omogućavaju bezbednu kontrolu alata u neočekivanim situacijama.
- 5) **UPOTREBA I ODRŽAVANJE ALATA NA BATERIJE**
- a) **Punite samo punjačem koji navodi proizvođač.** Punjač koji je prikladan za jedan tip baterije može da stvori opasnost od požara kad se koristi sa nekom drugom baterijom.
- b) **Koristite električni alat samo sa konkretno imenovanim baterijama.** Upotreba bilo kakvih drugih baterija može da stvori rizik od povrede i požara.
- c) **Kad se baterija ne koristi, držite je dalje od drugih metalnih predmeta, poput spajalica, novčića, ključeva, eksera, vijaka ili drugih malih metalnih predmeta koji mogu da naprave spoj jednog terminala sa drugim.** Kratak spoj terminala baterije može da izazove opekotine ili požar.
- d) **U ekstremnim uslovima može doći od curenja tečnosti iz baterije; izbegavajte kontakt sa njom. Ako dođe do nehotičnog kontakta, isperite vodom. Ako tečnost dođe u kontakt sa očima, takođe potražite i medicinsku pomoć.** Tečnost iz baterije može da izazove iritaciju ili opekotine.
- e) **Ne koristite bateriju ili alat koji su oštećeni ili modifikovani.** Oštećene ili modifikovane baterije mogu da ispolje nepredvidivo ponašanje, dovodeći do požara, eksplozije ili rizika od povrede.
- f) **Ne izlažite bateriju ili alat vatri ili previsokoj temperaturi.** Izlaganje vatri ili temperaturi iznad 130 °C može izazvati eksploziju.
- g) **Pratite sva uputstva za punjenje i ne puniti bateriju ili alat izvan temperaturnog opsega navedenog u uputstvima.** Punjenje na nepravilan način ili na temperaturama izvan navedenog opsega može da ošteti bateriju i poveća rizik od požara.
- 6) **SERVIS**
- a) **Odnosite električni alat na servisiranje kod kvalifikovanog servisera koji će koristiti samo identične rezervne delove.** To će osigurati da bezbednost električnog alata bude održana.
- b) **Nikad ne servisirajte oštećene baterije.** Servisiranje baterija treba da radi samo proizvođač ili ovlašćeni servis.

#### SIGURNOSNA UPUTSTVA ZA BEŽIČNI UDARAC

- **Nosite štيتnike za uši.** Izlaganje buci može izazvati gubitak sluha
- **Koristite pomoćne drške, ako su priložene uz alat.** Gubitak kontrole može dovesti do telesne povrede
- **Držite električni alat za izolovane površine za hvatanje kada vršite radnju gde dodatak za sećenje može da dodirne skrivene žice** (ako dodatak za sećenje dodirne „živu“ žicu, tada izloženi metalni delovi električnog alata mogu da budu pod naponom i rukovalac može da doživi strujni udar)

#### SIGURNOSNA UPUTSTVA KAD SE KORISTE DUGE

#### BURGIJE SA ROTACIONIM ČEKIĆIMA

- **Bušenje uvek započinite pri manjoj brzini i sa vrhom svrdla koje je u kontaktu sa materijalom za obradu.** Pri većim brzinama postoji veća verovatnoća savijanja svrdla ako se dozvoli da slobodno okreće bez kontakta sa materijalom za obradu, što dovodi do fizičke povrede.
- **Pritisnite samo u direktnoj liniji sa svrdlom i nemojte previše pritiskati.** Bitovi mogu da se saviju i dovedu do loma ili gubitka kontrole, što dovodi do fizičke povrede.

#### OPŠTA

- **Ne radite sa materijalima koji sadrže azbest** (azbest se smatra karcinogenim)
- Ovaj alat ne treba da koriste osobe ispod 16 godina
- Prašina od materijala poput farbe koja sadrži olovo, nekih vrsta drveta, minerala i metala može biti škodljiva (dodir sa tom prašinom ili njeno udisanje mogu izazvati alergijske reakcije i/ili respiratorne bolesti kod rukovaoca ili posmatrača); **nosite masku za prašinu i radite sa uređajem za uklanjanje prašine kad ga je moguće spojiti**
- Određene vrste prašine se klasifikuju kao karcinogene (poput prašine od hrasta i bukve), naročito u kombinaciji sa aditivima za kondicioniranje drveta; **nosite masku za prašinu i radite sa uređajem za uklanjanje prašine kad ga je moguće spojiti**
- Prati nacionalne propise vezane za prašinu koja se proizvodi prilikom rada na obrađivanim materijalima

#### PRE UPOTREBE

- Izbegavajte oštećenja od šrafova, eksera i drugih predmeta na materijalu koji obrađujete; uklonite ih pre nego što započnete rad
- **Učvrstite radni predmet** (radni predmet stegnut pomoću stega ili nečeg sličnog je mnogo stabilniji nego kada se drži rukom)
- **Koristite odgovarajuće detektore da biste pronašli skrivene vodove ili pozovite lokalnu kompaniju radi pomoći** (dodir sa električnim vodovima može dovesti do požara ili strujnog udara; oštećivanje gasnog voda može dovesti do eksplozije; probijanje vodovodne cevi će izazvati imovinsku štetu ili strujni udar)
- Osigurajte da selektor smera rotacije B ② bude u srednjem (zaključanom) položaju pre bilo kakvog podešavanja ili menjanja podataka, kao i tokom nošenja ili skladištenja alata.
- Imajte u vidu sile koje nastaju kao rezultat zaglavlivanja (naročito kad se buše metali); **uvek koristite dodatnu dršku J** i zauzmite siguran stav

#### PRIBOR

- SKIL može priznati garanciju samo ukoliko je korišćen originalni pribor
- Koristite samo pribor čija je dozvoljena brzina u najmanju ruku jednaka najvećoj brzini pri praznom hodu električnog alata

#### NAKON UPOTREBE

- Kada završite rad sa alatom, isključite motor i proverite da li su se zaustavili svi pokretni delovi

#### BATERIJE

- **Baterija se isporučuje delimično napunjena** (da biste osigurali pun kapacitet baterije, bateriju napunite do kraja u punjaču baterije pre prvog korišćenja električnog alata).
- **Koristite samo sledeće baterije i punjače sa ovim alatom**
  - SKIL baterija: BR1\*31\*\*\*\*
  - SKIL punjač: CR1\*31\*\*\*\*

- Nemojte koristiti oštećenu bateriju; odmah je treba zameniti
- Nemojte da rastavljate bateriju
- Nemojte izlagati alat/bateriju kiši
- Dozvoljena ambijentalna temperatura (alat/punjač/baterija):
  - tokom punjenja od 4 do 40 °C
  - tokom rada od -20 do +50 °C
  - tokom skladištenja od -20 do +50 °C

#### OBJAŠNJENJE SIMBOLA NA ALATU/BATERIJI

- ③ Pročitajte uputstvo za korišćenje pre prve upotrebe
- ④ Baterije će eksplodirati ako se izlože vatri, zato nikada ne palite baterije
- ⑤ Čuvajte alat/punjač/bateriju na mestima gde temperatura neće preći 50 °C
- ⑥ Ne odlažite električne alate i baterije u kućni otpad

### UPUTSTVO ZA KORIŠĆENJE

- Punjenje baterije
  - ! **pročitajte bezbednosna upozorenja i uputstva priložena uz punjač**
- Uklanjanje/instaliranje baterije ②
- Indikator nivoa baterije ⑦
  - pritisnite dugme indikatora nivoa baterije G da bi se prikazao trenutni nivo baterije ⑦a
  - ! **kada najniži nivo indikatora baterije počne da treperi nakon pritiska dugmeta G ⑦b, baterija je prazna**
  - ! **kada 2 nivoa indikatora baterije počnu da trepere nakon pritiska na dugme G ⑦c, baterija nije u dozvoljenom opsegu radne temperature**
- Zaštita baterije
  - Alat se iznenada isključuje ili ne može da se uključi kada je
    - **opterećenje je preveliko** --> uklonite opterećenje i restartujte
    - **temperatura baterije nije u dozvoljenom radnom opsegu temperature od -20 do +50 °C** --> 2 nivoa indikatora za nivo baterije počinju da trepere kada pritisnete dugme G ⑦c; sačekajte dok se baterija ne vrati u dozvoljeni radni opseg temperature
    - **baterija je skoro prazna (za zaštitu od prekomernog pražnjenja)** --> nizak nivo baterije ili treperenje za nizak nivo baterije ⑦b se prikazuje na indikatoru za nivo baterije kada se pritisne dugme G; napunite bateriju
    - ! **nemojte nastaviti da pritisnete prekidač za uključivanje/isključivanje nakon automatskog isključivanja alata; baterija se može oštetiti**
- Izmena smera rotacije ⑧
  - ako nije pravilno postavljen u levi/desni položaj, prekidač B ② se ne može aktivirati
  - ! **menjajte smer rotacije samo kada alat potpuno miruje**
- Instaliranje i uklanjanje bitova ⑨a i ⑨b
  - ! **očistite i blago podmažite SDS+ pribor pre umetanja**
  - umetnite pribor u SDS+ glavu dok ga okrećete i gurate dok se ne uhvati; pribor se automatski zaključava na svom mestu
  - povucite pribor da bi proverili da li je čvrsto zategnut
  - izvadite pribor tako što ćete povući unazad steznu glavu D

! **SDS+ pribor zahteva slobodu pokreta koja prouzrokuje ekscentričan rad alata u praznom hodu; u toku rada se on sam centrira; ovo nema uticaja na preciznost bušenja**

! **ne koristite bitove sa oštećenim prihvatom**

- Kombinovani prekidač za uključivanje/isključivanje ⑩ i kontrolu brzine ⑪
  - kontrolišite brzinu od nulte do maksimalne bez međukoraka primenivanjem manjeg ili većeg pritiska na prekidač B.
- Biranje režima rada ⑫
  - okrenite prekidač C na željeni režim rada dok ne škljocne i zaključa se
  - 1 = normalno bušenje/uvrtanje
  - 2 = bušenje sa udarcima
  - 3 = rad sa rotirajućim dletom
  - 4 = rad sa fiksiranim dletom
  - ! **birajte režim rada samo kad je alat isključen i baterija uklonjena**
  - mehanizam sa čekićem se aktivira blagim pritiskom alata dok se bit nalazi u dodiru sa materijalom za obradu
  - da bi mehanizam sa čekićem dostigao svoju punu udarnu snagu, potrebno je kraće vreme
  - najbolji rezultati bušenja sa čekićem se postižu samo blagim pritiskom alata; rezultat bušenja se ne poboljšava jačim pritiskanjem alata
- Rad fiksним dletom ⑬
  - ! **isključite alat i uklonite bateriju**
  - izaberite "rotirajući" režim dleta
  - postavite dleto u željeni položaj
  - izaberite "fiksirani" režim dleta
- LED svetlo ⑭
  - LED svetlo E automatski svetli kada se aktivira prekidač B
  - ! **kada LED radno svetlo počne da treperi, aktivira se zaštita baterije (pogledajte iznad)**
- Držanje i upravljanje alata ⑮
  - ! **tokom rada, uvek držite alat za područja za hvatanje sive boje**
  - **uvek koristite pomoćnu dršku J** (može se podesiti kao na ilustraciji) ⑮
  - održavajte proreze za ventilaciju F ② nepokrivenim
  - ne pritiscati alat previše; pustite da alat sam radi
- Podešavanje dubine bušenja ⑰

### SAVETI ZA PRIMENU

- Koristite odgovarajuće bitove ⑯
  - ! **koristite samo oštre bitove**
- Za bušenje drveta, metala i plastike bitovima koji nisu SDS, koristite adapter (nije standardno priložen) ⑱
  - ! **očistite i blago podmažite SDS+ pribor pre umetanja**
  - povucite unazad steznu glavu D i umetnite adapter u SDS+ glavu, okrećući ga i gurajući dok ne uhvati; adapter se automatski zaključava na svom mestu
  - povucite adapter da biste proverili da li je čvrsto zategnut
  - postavite prekidač C na normalno bušenje (aktivirajte samo kad je alat isključen i prekidač zaključan)
- Pri bušenju metala
  - prvo izbušiti malu rupu ako Vam je potrebna veća rupa
  - bitove povremeno namazati uljem

- Pri uvrstanju šrafova na krajevima drveta prvo treba izbušiti malu rupu da bi se izbeglo listanje drveta
- Bušenje drveta bez kidanja 20
- Bušenje zidova bez prašine 21
- Bušenje plafona bez prašine 22
- Bušenje pločica bez proklizavanja 23
- Za više informacija pogledajte [www.skil.com](http://www.skil.com)

## ODRŽAVANJE/SERVIS

- Ovaj alat nije namenjen za profesionalnu upotrebu
- Uvek održavajte alat čistim (posebno otvore za ventilaciju F 2)
- **! pre čišćenja uklonite bateriju iz alata**
- Ako bi alat i pored brižljivog postupka izrade i kontrole nekada otkazao, popravku mora vršiti neki autorizovani servis za SKIL električne alate
  - pošaljite nerasklopljeni alat zajedno sa dokazom kupovine vašem prodavcu ili najbližoj SKIL servisnoj stanici (adrese kao i servisni dijagram alata možete naći na [www.skil.com](http://www.skil.com))
- Imajte na umu da za oštećenja nastala usled preopterećivanja ili nepravilnog rukovanja neće važiti garancija (za uslove SKIL garancije posetite [www.skil.com](http://www.skil.com) ili pitajte svog prodavca)

## ZAŠTITA OKOLINE

- **Električni alat, baterije, pribor i ambalažu ne odlažite u kućne otpatke** (samo za države EU)
  - prema Evropskoj direktivi 2012/19/EC o otpadnoj električnoj i elektronskoj opremi i njenoj primeni u skladu sa nacionalnim zakonodavstvom, električni alati koji su došli do kraja svog radnog veka moraju biti prikupljeni zasebno i odneti u ekološki pogon za reciklažu
  - simbol 6 će vas podsetiti na to kada se potreba za odlaganjem pojavi
- **! da bi se izbegli kratki spojevi, terminale baterije treba zaštititi debljom samolepljivom trakom pre odlaganja na otpad**

## BUKA / VIBRACIJA

- Mereno u skladu sa EN62841, nivo zvučnog pritiska ovog alata je 93,4 dB(A), nivo zvučne snage je 104,4 dB(A) (nesigurnost K = 3 dB), a vibracija\* je (troosni vektorski zbir; nesigurnost K = 1,5 m/s<sup>2</sup>)
  - \* pri bušenju betona udarcem 16,2 m/s<sup>2</sup>
  - \* pri radu dletom 12,8 m/s<sup>2</sup>
- Nivo emisije vibracija izmeren je u skladu sa standardizovanim testom datim u EN62841; on se može koristiti za poređenje jednog alata sa drugim, kao i za preliminarnu procenu izloženosti vibracijama pri korišćenju ovog alata za pomenute namene
  - korišćenje alata u drugačije svrhe ili sa drugačijim ili slabo održavanim priborom može značajno **povećati** nivo izloženosti
  - vreme kada je alat isključen ili kada je uključen ali se njime ne radi može značajno  **smanjiti** nivo izloženosti
- **! zaštitite se od posledica vibracija tako što ćete održavati alat i pribor, voditi računa da vam ruke budu tople i organizovati svoj rad**

(SLO)

## Brezkrtačno akumulatorsko vrtno kladivo

3851

## UVOD

- To orodje je namenjeno udarnemu vrtnju u beton, opeko in kamen ter vrtnju u les, kovino, keramiko in plastiko; orodje z elektronsko regulacijou števila vrtljajev in vrtenjem levo/desno je primerno tudi za vijačenje in vrezovanje navojev.
- Poseben udarni sistem s pnevmatskim mehanizmom orodja deluje učinkoviteje od klasičnega vibracijskega vrtnja v beton.
- To orodje je konstruirano za uporabo standardnega SDS+ pribora.
- Orodje ni namenjeno profesionalni uporabi.
- V primeru manjkajočih ali okvarjenih delov se obrnite na prodajalca.
- **Pred uporabo pazno preberite navodila za uporabo in jih shranite, da jih boste lahko uporabljali tudi v prihodnosti 3**
- **Posebno pozornost namenite navodilom in opozorilom o varnosti; če jih ne boste upoštevali, lahko pride do hudih poškodb.**

## TEHNIČNI PODATKI 1

### DELI ORODJA 2

- A Smerno izbirno stikalo (naprej/sredinski položaj za zaklep/vzvrtno)
- B Vklonno/izklonno stikalo in stikalo za nadzor hitrosti
- C Stikalo za izbiro načina delovanja
- D Zatisna puša
- E Lučka LED
- F Ventilacijske reže
- G Gumb indikatorja za napolnjenost akumulatorja
- H Merilnik globine
- J Pomožni ročaj

## VARNOST

### SPLOŠNA VARNOSTNA OPOZORILA ZA ELEKTRIČNA ORODJA

**! OPOZORILO** Preberite vsa varnostna opozorila, navodila, slike in tehnične podatke, ki so priloženi temu električnemu orodju. Zaradi neupoštevanja spodaj navedenih navodil lahko pride do električnega udara, požara in/ali hudih telesnih poškodb.

**Vsa opozorila in navodila shranite za kasnejšo uporabo.**

Izraz "električno orodje" v opozorilih se nanaša na orodja, ki jih poganja električni tok (žična), ali na akumulatorska (brežžična) orodja.

#### 1) VARNOST DELOVNEGA OBMOČJA

- a) **Delovno območje naj bo čisto in dobro osvetljeno.** Na neurejenih ali temnih območjih se hitro zgodijo

nesreče.

- b) **Električnega orodja ne upravljajte v eksplozivnih okoljih, na primer ob prisotnosti vnetljivih tekočin, plinov ali prahu.** Električno orodje ustvarja iskre, ki lahko povzročijo vžig prahu ali hlapih.
  - c) **Med uporabo električnega orodja v bližino ne pustite otrok in drugih ljudi.** Zaradi motenj lahko izgubite nadzor.
- 2) ELEKTRIČNA VARNOST**
- a) **Vtiči električnih orodij se morajo prilegati vtičnicam. Vtiča nikoli ne smete spreminjati na kakršen koli način. Z ozemljenimi električnimi orodji ne uporabljajte adapterjev.** Nespremenjeni vtiči in pripadajoče vtičnice bodo zmanjšali tveganje električnega udara.
  - b) **Izogibajte se telesnemu stiku z ozemljenimi površinami, kot so cevi, radiatorji, štedilniki in hladilniki.** Če je vaše telo ozemljeno, obstaja povečano tveganje električnega udara.
  - c) **Orodja ne izpostavljajte dežju ali vlažnim vremenskim pogojem.** Če v električno orodje zaide voda, obstaja večja možnost električnega udara.
  - d) **Ne poškodujte električnega kabla. Kabla nikoli ne uporabljajte za nošenje, vlečenje ali odklapanje električnega orodja. Kabel hranite stran od vročine, olja, ostrih robov ali premikajočih se delov.** Poškodovani ali zapleteni kabli povečajo tveganje električnega udara.
  - e) **Med zunanjo uporabo električnega orodja uporabljajte podaljšek, ki je primeren za zunanjo uporabo.** Uporaba kabla, primerne za zunanjo uporabo, znižuje tveganje električnega udara.
  - f) **Če je uporaba električnega orodja na vlažnem mestu neizogibna, uporabite napajanje, zaščiteno z napravo na diferencialni tok.** Uporaba te naprave bo zmanjšala nevarnost električnega udara.
- 3) OSEBNA VARNOST**
- a) **Med uporabo električnega orodja bodite pozorni, spremljajte potek dela in uporabljajte zdrav razum. Električnega orodja ne uporabljajte, kadar ste utrujeni ali pod vplivom drog, alkohola ali zdravil.** Trenutek nepazljivosti med uporabo električnega orodja lahko povzroči hude telesne poškodbe.
  - b) **Uporabljajte osebno varovalno opremo. Vedno uporabljajte zaščito za oči.** Če v različnih okoliščinah nosite ustrezno varovalno opremo, kot so maska proti prahu, obutev z nedrsečim podplatom, trdno pokrivalo glave in zaščita za sluh, zmanjšate možnost telesnih poškodb.
  - c) **Preprečite neželen zagon. Pred priklopom na vir napajanja in/ali priklopom baterijskega sklopa ter pred dvigovanjem ali nošenjem orodja se prepričajte, da je stikalo v položaju za izklop.** Prenašanje električnih orodij s prstom na stikalu ali napajanje električnih orodij, pri katerih je stikalo v položaju za vklop, povzroči tveganje za nesrečo.
  - d) **Pred vklopom električnega orodja odstranite morebitne nastavitvene ključe ali viličaste ključe.** Viličasti ali drug ključ, ki je pritrjen na vrtljivi del električnega orodja, lahko povzroči telesne poškodbe.
  - e) **Ne stegujte se preveč. Pazite, da ves čas stojite stabilno in ohranjate ravnotežje.** To omogoča boljši nadzor nad električnim orodjem v nepričakovanih

situacijah.

- f) **Bodite primerno oblečeni. Ne nosite ohlapnih oblačil ali nakita. Pazite, da lasje in oblačila ne pridejo v bližino gibljivih delov.** Ohlapna oblačila, nakit ali dolgi lasje se lahko zapletejo v gibljive dele.
  - g) **Če imate na voljo naprave za sesanje in zbiranje prahu, preverite, ali so priključene in ali se ustrezno uporabljajo.** Uporaba naprav za zbiranje prahu lahko zmanjša nevarnosti, povezane s prahom.
  - h) **Čeprav dobro poznate orodje zaradi pogoste uporabe, ne postanite ravnodušni in ne prezirajte varnostnih načel orodja.** Nepazljivost pri uporabi lahko povzroči hude telesne poškodbe in delcu sekunde.
- 4) UPORABA IN NEGA ELEKTRIČNEGA ORODJA**
- a) **Električnega orodja ne preobremenjujte. Uporabite električno orodje, ki je primerno za vaše delo.** Ustrezno električno orodje bo nalogo opravilo bolje in varneje pri zmogljivosti, za katero je bilo zasnovano.
  - b) **Ne uporabljajte električnega orodja, če ga ni mogoče vklopiti in izklopiti s stikalom.** Kakršno koli električno orodje, ki ga ni mogoče nadzirati s stikalom, je nevarno in ga je potrebno popraviti.
  - c) **Odklopite vtič iz vira napajanja in/ali odstranite akumulatorske baterije, če je snemljiv, preden opravite kakršne koli prilagoditve, menjate nastavke ali shranite električno orodje.** Tovrstni preventivni varnostni ukrepi zmanjšujejo tveganje nenamernega zagona električnega orodja.
  - d) **Električna orodja, ki niso v uporabi, shranjujte izven dosega otrok in ne dovolite, da bi električno orodje uporabljale osebe, ki niso seznanjene z električnim orodjem ali s temi navodili.** Električno orodje je v rokah neusposobljenih uporabnikov nevarno.
  - e) **Električna orodja in dodatke vzdržujte. Preverite morebitno neoparvanost ali povezavo premikajočih se delov, zlome delov ali morebitno drugačno stanje, ki bi lahko vplivalo na delovanje električnega orodja. Če je električno orodje poškodovano, ga pred ponovno uporabo nesite na popravilo.** Mnogo nesreč se pripeti zaradi slabo vzdrževanih električnih orodij.
  - f) **Rezalna orodja naj bodo vedno nabrušena in čista.** Pravilno vzdrževana rezalna orodja z ostrimi rezili se težje zaskočijo in jih je lažje nadzirati.
  - g) **Električno orodje, dodatke, dele orodja itd. uporabljajte v skladu s temi navodili, pri tem pa upoštevajte delovne pogoje in delo, ki ga boste opravljali.** Če boste električno orodje uporabljali za neustrezne namene, lahko pride do nevarnih situacij.
  - h) **Ročaji in prijemalne površine naj bodo suhe, čiste in brez madežev olja ali masti.** Drseči ročaji in prijemalne površine ne omogočajo varnega ravnanja in nadzorovanja orodja v nepričakovanih situacijah.
- 5) UPORABA IN VZDRŽEVANJE AKUMULATORSKEGA ORODJA**
- a) **Akumulator polnite le s polnilnikom, ki ga določa proizvajalec.** Polnilnik, ki je primeren za eno vrsto akumulatorskih sklopov, morda lahko povzroči nevarnost požara, če z njim polnite drugo vrsto akumulatorskih sklopov.
  - b) **Akumulatorska orodja uporabljajte samo s predpisano vrsto akumulatorskih sklopov.** Uporaba katerih koli drugih akumulatorskih sklopov lahko povzroči

tveganje poškodb in požara.

- c) **Ko akumulatorski sklop ni v uporabi, ga hranite ločeno od drugih kovinskih predmetov, kot so sponke za papir, kovanci, ključji, žebliji, vijaki ali drugi majhni kovinski predmeti, ki lahko povzročijo stik med enim in drugim kontaktom.** Kratek stik zaradi povezanih kontaktov akumulatorja lahko povzroči opekline ali požar.
- d) **Ob zlorabi akumulatorja lahko iz nje brizgne tekočina, stik s katero preprečite. Če se nehote dotaknete tekočine, mesto stika sperite z vodo.** Če pride tekočina v stik z očmi, poleg tega poiščite zdravstveno pomoč. Tekočina, ki brizgne iz akumulatorja, lahko povzroči draženje ali opekline.
- e) **Akumulatorskega sklopa ali orodja, ki je poškodovano ali spremenjeno, ne uporabljajte.** Poškodovani ali spremenjeni akumulatorji lahko nepredvidljivo delujejo, zaradi česar lahko pride do požara, eksplozije ali nevarnosti telesnih poškodb.
- f) **Akumulatorskega sklopa ali orodja ne izpostavljajte ognju ali previsokim temperaturam.** Izpostavljenost ognju ali temperaturam nad 130 °C lahko povzroči eksplozijo.
- g) **Upošteвайте vsa navodila za polnjenje in akumulatorskega sklopa ali orodja ne polnite izven temperaturnega razpona, navedenega v navodilih.** Zaradi nepravilnega polnjenja ali temperature zunaj navedenega razpona lahko pride do poškodb akumulatorja in povečanega tveganja za požar.
- a) **Električno orodje naj servisira usposobljeno servisno osebje, ki uporablja le enake nadomestne dele.** To bo zagotovilo ohranjanje varnosti električnega orodja.
- b) **Nikoli ne popravljajte poškodovanih akumulatorskih sklopov.** Akumulatorske sklope lahko popravi le proizvajalec ali pooblaščen izvajalec servisiranja.

#### **VARNOSTNA NAVODILA ZA BREŽIČNO VRTALNO KLADIVO**

- **Nosite zaščito za ušesa.** Izpostavljenost hrupu lahko povzroči izgubo sluha.
- **Uporabite pomožne ročaje, če so priloženi orodju.** Izguba nadzora lahko povzroči telesne poškodbe.
- **Če izvajate dela, pri katerih bi se lahko z orodjem za rezanje dotaknili skrite omrežne napeljave, držite električno orodje samo za izolirane ročaje** (zaradi stika orodja za rezanje z napeljavo pod napetostjo lahko napetost preide tudi na kovinske dele orodja in povzroči električni udar).

#### **VARNOSTNA NAVODILA ZA UPORABO DOLGIH SVEDROV Z VRTALNIMI KLADIVI**

- **Vedno začnite vrtati pri nizki hitrosti in s konico svedra v stiku z obdelovancem.** Pri višjih hitrostih se sveder lahko upogne, če se prosto vrti, ne da bi se dotaknil obdelovanca, kar lahko povzroči telesne poškodbe.
- **Pritiskajte le neposredno v smeri svedra brez uporabe prekomerne sile.** Svedri se lahko upognejo, kar povzroči zlom ali izgubo nadzora in posledično telesne poškodbe.

#### **SPLOŠNO**

- **Ne obdelujte materiala, ki vsebuje azbest** (azbest povzroča rakasta obolenja).
- Tega orodja naj ne bi uporabljale osebe, mlajše od 16 let.
- Prah materialov, kot so barve, ki vsebujejo svinec, nekatere vrste lesa, mineralov ali kovin so lahko škodljivi (ob stiku ali vdihavanju lahko prah pri delavcu ali pri drugih prisotnih povzroči alergijsko reakcijo in/ali boleznih dihal); **nosite masko za prah in pri delu uporabljajte napravo za odsesavanje prahu, kjer je le-to možno priključiti.**
- Nekatero vrsto prahu so klasificirane kot kancerogene (npr. prah hrasta in bukke), predvsem ob sočasni uporabi z dodatki za obdelavo lesa; **nosite masko za prah in pri delu uporabljajte napravo za odsesavanje prahu, kjer je le-to možno priključiti.**
- Upošteвайте nacionalne zahteve glede prahu za materiale, ki jih želite obdelovati.

#### **PRED UPORABO**

- Izogibajte se poškodb zaradi vijakov, žebeljev ali drugih elementov v obdelovancu; odstranite jih pred začetkom dela.
- **Zavarujte obdelovanec** (obdelovanec vpet z vpenjalnimi napravami ali v premež je bolj varen, kot če ga držite z roko).
- **Za iskanje skritih električnih, plinskih in vodovodnih cevi uporabite primerne iskalne naprave (detektorje) ali se posvetujte z lokalnimi podjetji** (stik z električnimi vodniki lahko povzroči požar ali električni udar; poškodbe plinovoda lahko povzročijo eksplozijo, vdor v vodovodno omrežje pa materialno škodo ali električni udar).
- Pred kakršno koli nastavitvijo ali menjavo nastavkov in pri prenašanju ali shranjevanju orodja se prepričajte, da je izbirno smerno stikalo B ② v sredinskem položaju (za zaklep).
- Pazite na nenadne sile, ki nastanejo kot posledica zagozditve (posebno pri vrtnju v kovino); **vedno uporabljajte stranski ročaj J** in zavzemite varen položaj.

#### **DODATNI PRIBOR**

- SKIL zagotavlja brezhibno delovanje orodja le z uporabo originalnega dodatnega pribora.
- Uporabljajte lahko dodatni pribor, katerega dovoljena hitrost je najmanj enaka največji hitrosti orodja.

#### **PO UPORABI**

- Ko orodje postavite v stran, izklopite motor in pazite, da se vsi premikajoči se deli orodja popolnoma zaustavijo.

#### **AKUMULATOR**

- **Priloženi akumulator je delno napolnjen** (če želite zagotoviti polno zmogljivost akumulatorja, ga pred prvo uporabo popolnoma napolnite s polnilnikom za akumulator).
- **S tem orodjem lahko uporabljate samo te akumulatorje in polnilnike**
  - Akumulator SKIL: BR1\*31\*\*\*\*
  - Polnilnik SKIL: CR1\*31\*\*\*\*
- Če je akumulator poškodovan, ga ne uporabljajte, ampak ga je treba takoj zamenjati.
- Akumulatorja ne razstavlajte.
- Orodja/akumulatorja ne izpostavljajte dežju.
- Dovoljena temperatura okolice (orodje/polnilnik/akumulator):
  - pri polnjenju od 4 do 40 °C
  - pri delu od -20 do +50 °C
  - pri skladiščenju od -20 do +50 °C

#### **POJASNILO OZNAK NA ORODJU/AKUMULATORJU**

- ③ Pred uporabo preberite navodila za uporabo.
- ④ Akumulatorji lahko pri izpostavljanju odprtemu ognju eksplodirajo, zato jih nikoli ne sežigajte.
- ⑤ Shranjujte orodje/polnilce/akumulator v prostoru, kjer temperatura ne bo preseгла 50 °C.
- ⑥ Ne odstranjujte električnega orodja in akumulatorja skupaj z gospodinjskimi odpadki.

## UPORABA

- Polnjenje akumulatorja
  - ! **Preberite varnostna opozorila in navodila, priložena polnilniku.**
- Odstranjevanje/nameščanje akumulatorja ②
- Indikator stanja napoljenosti akumulatorja ⑦
  - Pritisnite gumb G indikatorja stanja napoljenosti akumulatorja, da prikazete trenutno stanje akumulatorja ⑦a.
  - ! **Ko po pritisku gumba G ⑦b začne utripati najnižja stopnja napoljenosti akumulatorja, je akumulator prazen.**
  - ! **Ko po pritisku gumba G7c začneta utripati 2 stopnji indikatorja napoljenosti akumulatorja, akumulator ni v dovoljenem razponu delovne temperature.**
- Zaščita akumulatorja
  - Orodje se nenadoma izklopi ali pa ga ni mogoče vklopiti v naslednjih primerih:
    - **previsoka obremenitev** --> odstranite obremenitev in zaženite znova;
    - **temperatura akumulatorja ni v dovoljenem razponu delovne temperature od -20 do +50 °C** --> ko pritisnete gumb G7c, začneta utripati 2 stopnji indikatorja napoljenosti akumulatorja; počakajte, da se akumulator vrne v dovoljeni razpon delovne temperature;
    - **akumulator je skoraj prazen (zaščitite ga pred popolno izpraznitvijo)** --> ko pritisnete gumb G, indikator napoljenosti akumulatorja prikaže nizko stopnjo napoljenosti akumulatorja ali utripajočo nizko stopnjo napoljenosti akumulatorja 7b; napolnite akumulator.
    - ! **Po samodejnem izklopu ne pritiskajte stikala za vklop/izklop; akumulator se lahko poškoduje.**
- Menjava smeri vrtenja ⑧
  - Če stikalo B ② ni v ustreznem levem/desnem položaju, ga ni mogoče aktivirati.
  - ! **Smer vrtenja spremenite le pri popolnoma mirujočemu orodju.**
- Nameščanje in odstranjevanje svedrov ⑨a & ⑨b
  - ! **Pred vpetjem pribor SDS+ očistite in narahlo naoljite.**
  - Med vstavljanjem v vpenjalno glavo SDS+ pribor vrtite in potiskajte, dokler se ne zaskoči; pribor se samodejno zaskoči.
  - Preverite pravilnost vpetja pribora s ponovnim izvlečenjem iz glave.
  - Pribor odstranite tako, da zatisno pušo D potegneta nazaj.
  - ! **Pribor SDS+ se prosto premika, ko ni obremenjen; med delovanjem se avtomatsko centrirata brez vpliva na natančnost vrtenja.**
  - ! **Ne uporabljajte nastavkov s poškodovanim**

## stebлом.

- Kombinirano stikalo za vklop/izklop ⑩ in nastavitve hitrosti ⑪
  - Hitrost se brezstopenjsko nastavlja od 0 do maksimuma z manjšimi ali večjimi pritiskom na stikalo B.
- Izbira načina delovanja ⑫
  - Obrnite stikalo C na zeleni način delovanja, dokler se ne zaskoči.
    - 1 = normalno vrtenje/vijačenje
    - 2 = udarno vrtenje
    - 3 = klesanje z dletom, ki se vrti
    - 4 = klesanje z dletom, ki se ne vrti
  - ! **Način delovanja izberite šele, ko je orodje izklopljeno in akumulator odstranjen.**
  - Udarno vrtenje s pnevmatskim mehanizmom je aktivirano z rahlim pritiskom svedra na obdelovanec.
  - Udarno vrtenje s pnevmatskim mehanizmom hitro doseže polno moč udarjanja.
  - Dober učinek udarnega vrtenja s pnevmatskim mehanizmom bo dosežen že z rahlim pritiskom na orodje; vrtni učinek se ne bo povečal z večjim pritiskom na orodje.
- Klesanje z dletom, ki se ne vrti ⑬
  - ! **Izklopite orodje in odstranite akumulator.**
  - Izberite način klesanja z dletom, ki se vrti.
  - Namestite dleto v zelen položaj.
  - Izberite način klesanja z dletom, ki se ne vrti.
- Lučka LED ⑭
  - Lučka LED E se ob aktiviranju stikala za vklop/izklop samodejno vključi.
  - ! **Ko lučka LED začne utripati, je zaščita akumulatorja aktivirana (glejte zgoraj).**
- Držanje in vodenje orodja ⑮
  - ! **Med delom vedno držite orodje za sivo obarvana mesta prijema.**
  - **Vedno uporabljajte stranski ročaj J** (lahko ga nastavite, kot je prikazano). ⑮
  - Ventilacijske reže F ② morajo biti nepokrite.
  - Ne pritiskajte premočno na orodje; pustite da orodje samo opravi delo.
- Nastavitve globine vrtenja ⑰

## UPORABNI NASVETI

- Uporabljajte ustrezne svedre. ⑱
- ! **Uporabljajte le ostre svedre.**
- Pri vrtnju s svedrji, ki niso SDS, v les, kovino in plastiko uporabite adapter (ni del standardne opreme). ⑲
- ! **Pred vpetjem pribor SDS+ očistite in narahlo naoljite.**
- Zatisno pušo D potegneta nazaj in vstavite adapter v vpenjalno glavo SDS+, medtem ko ga vrtite in potiskate, dokler se ne zaskoči; adapter se samodejno zaskoči.
- Preverite pravilnost vpetja adapterja s ponovnim izvlečenjem iz glave SDS+.
- Nastavite stikalo C na navadno vrtenje (izključno v primeru, ko je orodje izklopljeno in stikalo zaklenjeno).
- Pri vrtnju v kovine
  - Naprej izvrtaite manjšo luknjo, šele nato večjo.
  - Sveder občasno naoljite.
- Pri vijačenju vijaka v les v bližini roba je treba predvrtati luknjo, s čimer boste preprečili pokanje lesa.
- Vrtenje v les brez odlomljenih kosčkov ⑳

- Vrtanje v stene z zaščito proti prahu ②<sup>1</sup>
- Vrtanje v strop z zaščito proti prahu ②<sup>2</sup>
- Vrtanje v ploščice brez spodrsavanja ②<sup>3</sup>
- Za več informacij obiškajte spletno stran [www.skil.com](http://www.skil.com).

## VZDRŽEVANJE/SERVISIRANJE

- Orodje ni namenjeno profesionalni uporabi.
- Orodje naj bo vedno čisto (predvsem ventilacijske reže F②).
- **! Pred čiščenjem odstranite akumulator iz orodja.**
- Če bi kljub skrbnim postopkoma izdelave in preizkušanja prišlo do izpada delovanja orodja, naj popravilo opravi servisna delavnica, pooblaščenca za popravila električnih orodij SKIL.
  - Pošljite nerazstavljeno orodje skupaj s potrdilom o nakupu pri vašemu prodajalcu v najbližjo servisno delavnico SKIL (naslove in spisek rezervnih delov najdete na [www.skil.com](http://www.skil.com)).
- Zavedajte se, da garancija ne vključuje poškodb zaradi preobremenitve orodja ali nepravilne rabe (glede SKIL-ovih garancijskih pogojev obiškajte [www.skil.com](http://www.skil.com) ali povprašajte prodajalca).

## OKOLJE

- **Električnega orodja, akumulatorja, pribora in embalaže ne odlagajte skupaj z gospodinjstvi odpadki** (samo za države EU).
  - V skladu z Evropsko direktivo 2012/19/EG o odpadni električni in elektronski opremi in z njenim izvajanjem v nacionalni zakonodaji je treba električna orodja ob koncu njihove življenjske dobe ločeno zbirati in jih predati v postopek okolju prijaznega recikliranja.
  - Ko bo potrebno odstranjevanje, vas bo na to spomnil simbol ⑥.
- **! Preden zavržete akumulator, prilepite kontakte z debelejším izolirnim trakom, da preprečite kratek stik.**

## HRUP / VIBRACIJA

- Raven zvočnega tlaka tega orodja, ki je bila izmerjena v skladu s standardom EN62841, znaša 93,4 dB(A), raven zvočne moči je 104,4 dB(A) (odstopanje K = 3 dB) in vibracij\* (triosna vektorska vsota; odstopanje K = 1,5 m/s<sup>2</sup>).
  - \* pri udarnem vrtnanju v beton 16,2 m/s<sup>2</sup>
  - \* pri klesanju 12,8 m/s<sup>2</sup>
- Raven oddajanja vibracij je bila izmerjena v skladu s standardiziranimi testi, navedenimi v EN62841; uporabiti jo je mogoče za primerjavo različnih orodij med seboj in za predhodno primerjavo izpostavljenosti vibracijam pri uporabi orodja za namene, ki so omenjeni.
  - Uporaba orodja za drugačne namene ali uporaba skupaj z drugimi, slabo vzdrževanimi nastavki lahko znatno **poveča** raven izpostavljenosti.
  - Čas, ko je orodje izklopljeno ali ko teče, vendar z njim ne delamo, lahko znatno **zmanjša** raven izpostavljenosti.
- **! Pred posledicami vibracij se zaščitite z vzdrževanjem orodja in pripadajočih nastavkov, ter tako, da so vaše roke tople, vaši delovni vzorci pa organizirani.**

EST

## Harjadeta ja juhtmeta puurvasar

3851

## SISSEJUHATUS

- Tööriist on ette nähtud tellise, betooni ja kivi lõõkpuurimiseks ning puidu, metalli, keraamiliste ja plastmaterjalide lõõgita puurimiseks; seadmed, millel on elektrooniline pöörlemiskiiruse reguleerimine ning päri-/vastupäeva pöörlemise funktsioon, sobivad ka kruvide keeramiseks ja keermete lõikamiseks
- Tööriista vasarapuurimissüsteem ületab betooni puurimiselvõimsuse poolest kõiki tavalisi lõõkpuurtrelle
- Tööriist on võimalik kasutada kõiki tavapäraseid SDS+ tarvikuid
- Tööriist pole mõeldud professionaalseks kasutamiseks.
- Kui mõni osa on puudu või kahjustatud, võtke ühendust kohaliku edasimüüjaga.
- **Enne seadme kasutamist lugege kasutusjuhend hoolikalt läbi ja hoidke see edaspidiseks alles.** ③
- **Pöörake erilist tähelepanu ohutusjuhiste ja hoiatustele; nende eiramine võib põhjustada tõsiseid vigastusi.**

## TEHNILISED ANDMED ①

### TÖÖRIISTA OSAD ②

- A Pöörlemisuuna (edasisuund / keskasend ehk lukustatud / tagasisuund) selektor
- B Lüüti tööriista sisse-/väljalülitamiseks ja kiiruse kontrollimiseks
- C Tööriista lüüti
- D Lukustushülss
- E LED-märgutuli
- F Ventilatsioonivad
- G Aku laetustaseme märgutule nupp
- H Sügavusmõõdik
- J Lisakäepide

## OHUTUS

### ÜLDISED ELEKTRITÖÖRIISTADE HOIATUSED

**⚠ HOIATUS! Lugege läbi kõik elektritööriistaga kaasas olevad hoiatused, juhised, joonised ja andmed.** Alltoodud juhiste eiramine võib põhjustada elektrilööki, tulekahju ja/või tõsiseid vigastusi.

### Säilitage hoiatused ja juhised hilisemaks kasutuseks.

Hoiatustes kasutatud termin „elektritööriist“ viitab voolu jõul (juhtmega) töötavale elektrilisele tööriistale või aku jõul töötavale (juhtmeta) elektrilisele tööriistale.

### 1) TÖÖPIIRKONNA OHUTUS

- a) **Tööpiirkond peab olema puhas ja hästi valgustatud.** Täis kuhjatud või valgustamata tööpiirkonnad võivad põhjustada õnnetusi.
- b) **Ärge kasutage elektritööriistu plahvatusohtlikes keskkondades, näiteks kergesti süttivate vedelike,**

- gaaside või tolmu läheduses.** Elektritööriistad tekitavad sademeid, mis võivad süüdata tolmu või aurasid.
- c) Elektritööriistadega töötamisel hoidke lapsed ja kõrvalised isikud eemal. Tähelepanu hajumisel võite kaotada kontrolli seadme üle.
- 2) ELEKTRILINE OHUTUS**
- a) Elektritööriistad tuleb ühendada sobivasse pistikupessa. Ärge kunagi modifitseerige pistikut mitte mingil viisil. Ärge kasutage maandatud elektritööriistadega koos pistikuadaptereid. Modifitseerimata pistikud ja sobivad pistikupesad vähendavad elektrilöögi ohtu.
- b) Vältige kehalist kontakti maandatud pindadega (nt torud, radiatorid, katted, külmikud). Kui teie keha on maandatud, suureneb elektrilöögi oht.
- c) Ärge jätke elektritööriistu vihma kätte ega niiskettesse tingimustesse. Vee sattumine elektritööriista sisse suurendab elektrilöögi ohtu.
- d) Ärge rikkuge juhete. Ärge kasutage juhete elektritööriista kandmiseks või tõmbamiseks ja ärge tõmmake juhtmeid, kui soovite pistikut pistikupesast eemaldada. Vältige juhtme kokkupuudet kuumade esemete, õli, teravate servade või liikuvate osadega. Kahjustatud või puntras juhe suurendab elektrilöögi ohtu.
- e) Elektritööriistaga välitingimustes töötamiseks kasutage välitingimustesse sobivat pikendusjuhet. Välitingimustesse sobiva juhtme kasutamine vähendab elektrilöögi ohtu.
- f) Kui peate kindlasti tööriista märjas kohas kasutama, kasutage seadet, mille toite tagab jääkvooluseade (RCD). RCD kasutamine vähendab elektrilöögi ohtu.
- 3) ISIKLIK OHUTUS**
- a) Olge tähelepanelik, töötage hoolikalt ja rakendage tervet mõistust. Ärge kasutage elektritööriista, kui olete väsinud, või rohude, alkoholi või narkootikumide mõju all. Vaid hetkeline tähelepanematus elektritööriista kasutamisel võib põhjustada raskeid kehavigastusi.
- b) Kasutage isikukaitsevahendeid. Kandke alati silmakaitsevahendeid. Töötingimustele vastava kaitsevarustuse (nt tolmu maski, libisemiskindlate turvajalanõude, kiivri või kuulmiskaitsete) kasutamine vähendab kehavigastuste ohtu.
- c) Ennetage tööriista tahtmatut käivitamist. Enne tööriista vooluvõrgu ja/või akuplokiga ühendamist ning enne tööriista kandmist või üles tõstmist veenduge, et lüliti on mitteaktiivses asendis. Elektritööriistade kandmine sõrme lüliti hoides või aktiivses olekus lülitiga põhjustab õnnetusi.
- d) Enne tööriista sisselülitamist eemaldage sellelt kõik reguleerimis- ja mutrivõtmed. Elektritööriista pöörleva osa külge unustatud võtmed vms tööriistad võivad põhjustada kehavigastusi.
- e) Ärge küünitage liiga kaugele. Töötage ainult kindlal pinnal ja kohtades, kus pole ohtu tasakaalu kaotada. Nii säilitate ootamatutes olukordades parema kontrolli elektritööriista üle.
- f) Riietuge asjakohaselt. Ärge kandke ehteid ega avaraid riideid. Vältige oma juuste ja riiete kokkupuudet liikuvate osadega. Liiga avarad riided, ehted ja pikad juuksed võivad liikuvate osade vahele kinni jääda.
- g) Kui tootega on kaasas vahendid tolmuarastus- ja kogumisseadmete ühendamiseks, siis veenduge, et need seadmed on korralikult ühendatud ja asjakohases kasutuses. Tolmukogumisseadmete kasutamine vähendab tolmu seotud ohtusid.
- h) Kui seade on teile sagedase kasutamise tulemusel harjumuspäraseks saanud, ärge laske ennast lõdvaks ega ignoreerige tööriista kasutamise ohutusreegleid. Hooletuse tõttu võite saada tõsiselid vigastusi ka sekundi murdosa jooksul.
- 4) ELEKTRITÖÖRIISTA KASUTAMINE JA HOOLDUS**
- a) Ärge rakendage elektritööriista kasutamisel jõudu. Kasutage konkreetseks tööks sobivat elektritööriista. Sobiva elektritööriistaga sobival kiirusel töötades saate töö valmis kiiresti ja ohutult.
- b) Ärge kasutage elektritööriista, mida ei saa lülitist sisse ega välja lülitada. Elektritööriistad, mille lüliti ei tööta, on ohtlikud ja tuleb parandada.
- c) Eemaldage pistik vooluvõrgust ja/või akuplokk seadme küljest, kui see on eemaldatav, enne seadme kohandamist, tarvikute vahetamist või elektritööriista houstumist. Selliste ennetavate ohutusmeetmete rakendamisega vähendate elektritööriista tahtmatu käivitamise võimalust.
- d) Elektritööriistu, mida te hetkel ei kasuta, hoidke lastele kättesaamatus kohas ning ärge lubage nendega töötada isikutel, kes pole tööriistade tööpõhimõtete või käesoleva juhendiga tutvunud. Koolitamata isikute käes on elektritööriistad ohtlikud.
- e) Hooldage nii elektritööriistu kui tarvikuid. Kontrollige, et liikuvad komponendid on korrektselt joondatud ja kinnitatud ning ükski osa ei ole katki, ning jälgige ka muid aspekte, mis võiksid elektritööriista tööd mõjutada. Kahjustatud elektritööriist tuleb enne kasutamist parandada. Halvasti hooldatud elektritööriistad põhjustavad palju õnnetusi.
- f) Hoidke oma lõiketööriistad teravad ja puhtad. Korralikult hooldatud ja teravate servadega lõikevahendid ei kiilu nii kergesti kinni ja on lihtsamini kontrollitavad.
- g) Kasutage elektritööriista, selle tarvikuid, tööriistaosi jm vastavalt käesolevale juhendile, võttes arvesse töötingimusi ja teostatavat tööd. Elektritööriista mittesihipärane kasutamine võib põhjustada ohtlikke olukordi.
- h) Hoidke käepidemed ja haardepinnad kuivad ja puhtad ning vältige neile õli ja rasva sattumist. Libedad käepidemed ja haardepinnad takistavad seadme ohutut kasutamist ja käsitsemist ootamatutes olukordades.
- 5) AKUSEADMETE KASUTAMINE JA HOOLDUS**
- a) Kasutage laadimiseks ainult tootja poolt ette nähtud laadijaid. Akulaadija, mis sobib teatud tüüpi akuplokkidele, võib põhjustada tulekahju ohtu, kui kasutada seda mõne teise akuplokiga.
- b) Kasutage elektritööriistu ainult nende jaoks ette nähtud akuplokkidega. Mõne muu akuploki kasutamine võib põhjustada vigastuste ja tulekahju ohtu.
- c) Kui akut ei kasutata, hoidke seda eemal muudest metallesemetest nagu kirjaklambrid, mündid, võtmed, naelad, kruvid ja muud väikesed metallesemed, mis võivad klemmide vahel



ühenduse luua. Akuklemmide lühiühendus võib põhjustada põletushaavu ja tulekahju ohtu.

- d) **Valedes tingimustes kasutamisel võib akust vedelikku välja tulla; vältige kokkupuudet sellega. Kokkupuute korral loputage veega. Kui vedelik satub silma, pöörduge lisaks ka arsti poole.** Akust erituv vedelik võib põhjustada ärritust või põletusi.
- e) **Ärge kasutage kahjustunud või modifitseeritud akuplokki või tööriista.** Kahjustunud või modifitseeritud akud võivad toimida ettearvamatult, mille tagajärjeks võib olla tulekahju, plahvatus või vigastuste oht.
- f) **Vältige akuploki või tööriista kokkupuudet tule või liiga kõrge temperatuuriga.** Kokkupuude lahtise tule või temperatuuriga üle 130 °C võib põhjustada plahvatuse.
- g) **Järgige kõiki laadimisjuhiseid ja ärge laadige akuplokki või tööriista vale temperatuuri juures (vt juhiseid).** Valesi või valel temperatuuril laadimine võib kahjustada akut ja suurendada tulekahju ohtu.
- 6) **HOOLDUS**
- a) **Laske oma elektritööriista hooldada kvalifitseeritud remonditehnikul, kes kasutab ainult identseid originaalvaruosi.** See tagab elektritööriista ohutuse.
- b) **Ärge kunagi hooldage kahjustunud akuplokke.** Akuplokkide hooldust võib teostada ainult tootja või volitatud teeninduskeskus.

#### OHUTUSJUHISED JUHTMETA VASARATE KOHTA

- **Kasutage kuulmiskaitset.** Kokkupuude müraga võib põhjustada kuulmiskadu
- **Kasutage abikäepidemeid, kui need on tööriistaga kaasas.** Kontrolli kaotamine võib põhjustada kehavigastusi
- **Hoidke elektritööriista kinni isoleeritud haardepinnast, kui lõiketarvik võib töötamise ajal puutuda kokku peidetud juhtmega** (lõiketarviku pingestatud osaga kokkupuute korral võivad elektrilise tööriista metallosad pingestada ja anda operaatorile elektrilöögi)

#### INSTRUCCIONES DE SEGURIDAD CUANDO SE UTILIZAN BROCAS LARGAS CON MARTILLOS PERFORADORES

- **Puurimist tuleb alustada alati madalal kiirusel ja puuri lõiketera peab töödeldava detailiga kokku puutuma.** Suurematel kiirustel võib puuritera painduda, kui sellele lastakse ilma puuritavat pinda puudutamata töötada, mille tagajärjel tekivad kehalised vigastused.
- **Rakendage jõudu ainult otse lõiketerale ja ärge rakendage liigselt jõudu.** Lõiketerad võivad painduda ja põhjustada seeläbi purunemist või kontrolli kaotamist ning isikukahju.

#### ÜLDIST

- **Asbesti sisaldava materjali töötlemine on keelatud** (asbest võib tekitada vähki)
- Tööriista kasutaja peab olema vähemalt 16-aastane.
- Pliid sisaldavat värvi, mõningaid puiduliike, mineraale ja metalli sisaldavad materjalid eraldavad tolmu, mis võib olla kahjulik (kokkupuude tolmu või selle sissehingamine võib seadme kasutajal või läheduses viibival inimesel põhjustada allergilisi reaktsioone ja/või hingamisteede haigusi); **kandke tolmu maski**

**ja vajaduse korral töötage külgeühendatava tolmueraldusseadmega.**

- Teatud tüüpi tolm on klassifitseeritud kantserogeensena (nt tammest ja pöögist eralduv tolm), eriti koos puidu niiskuse reguleerimiseks kasutatavate lisanditega; **kandke tolmu maski ja vajaduse korral töötage külgeühendatava tolmueraldusseadmega.**
- Erinevate materjalide töötlemisel tekkinud tolmu käitlemisel tuleb järgida kehtivaid nõudeid.

#### ENNE KASUTAMIST

- Vältige töödeldavas esemes olevatest kruvidest, naeltest vms põhjustatud kahjustusi; eemaldage need enne töö alustamist
- **Kinnitage toorik** (fiksaatoriga kinnitatud või kruustangide vahele pandud) akud püsib kindlamiin paigal kui lihtsalt käega hoides).
- **Varjatult paiknevate edastusliinide (elektrijuhtmed, gaasi- või veetorud) avastamiseks kasutage sobivaid detektoreid või pöörduge kohaliku elektri-, gaasi- või vee-ettevõtte poole** (kokkupuutel elektrijuhtmetega tulekahju- ja elektrilöögi oht; gaasitorustiku vigastamisel plahvatusoht; veetorustiku vigastamisel materiaalne kahju või elektrilöögi oht).
- Enne mistahes reguleerimist või tarvikute vahetamist, samuti tööriista kandmisel või hoiustamisel veenduge, et pöörlemissuuna selektor B ② oleks keskasendis (lukustatud asendis).
- Pöörake tähelepanu blokeerumisel tekkivatele jõududele (eriti metalli puurimisel); **hoidke tööriista alati külgekäepidemest J ja võtke stabiilne tööasend**

#### LISATARVIKUD

- SKIL tagab seadme häireteta töö üksnes originaaltarvikute kasutamisel
- Kasutage vaid neid tarvikuid, mille lubatud pöörete arv on vähemalt sama suur nagu maksimaalsed tühikäigupöörded

#### PÄRAST KASUTAMIST

- Enne tööriista juurest lahkumist lülitage see välja ning oodake, kuni selle liikuvad osad on täielikult seiskunud

#### AKUD

- **Kaasasolev aku on osaliselt laetud** (aku täisvõimsuse tagamiseks laadige aku enne elektritööriista esmakordset kasutamist akulaadijas korralikult täis).
- **Kasutage selle tööriistaga ainult järgmisi akusid ja laadijaid.**
  - SKILi aku: BR1\*31\*\*\*\*
  - SKILi laadur: CR1\*31\*\*\*\*
- Ärge kasutage kahjustatud akut – see tuleks kohe välja vahetada.
- Ärge võtke akut lahti.
- Ärge jätke tööriista/akut vihma kätte.
- Ümbritseva keskkonna lubatud temperatuur (tööriista/laadijat/akut):
  - laadimisel 4 kuni 40 °C;
  - töötamisel –20 kuni +50 °C;
  - hoiustamisel –20 kuni +50 °C

#### TÖÖRIISTAL/AKUL OLEVATE SÜMBOLITE SELGITUS

- ③ Enne kasutamist tutvuge kasutusjuhendiga
- ④ Tulle visatud akud plahvatavad, seepärast ei tohi akut mitte mingil juhul põletada.
- ⑤ Hoidke tööriista/laadijat/akut kohas, kus temperatuur ei ületa 50 °C.
- ⑥ Ärge visake kasutuskoõlmatuks muutunud elektrilisi tööriista ja akusid ära koos olmejäätmetega.

## KASUTAMINE

- Aku laadimine
  - ! Lugege laadijaga kaasasolevaid ohutusohiatusi ja juhiseid.**
- Aku eemaldamine/paigaldamine ②
- Aku laetusastme indikaator ⑦
  - vajutage aku laetusastme vaatamiseks aku laetusastme märgutule nuppu G ⑦a
  - ! Kui aku laetusastme märgutule kõige madalama taseme tuli hakkab nupu G vajutuse järel vilkuma ⑦b, on aku tühi.**
  - ! Kui laetuse taseme märgutule 2 taseme märgutuled hakkavad nupu G vajutuse järel vilkuma ⑦c, ei ole aku lubatud töötemperatuurivahemikus.**
- Aku kaitse
  - Tööriist lülitatakse järsku välja või selle sisselülitamine ei ole võimalik, kui
    - koormus on liiga suur --> eemaldage koormus ja taaskäivitage;**
    - aku temperatuur ei ole lubatud töötemperatuuri vahemikus -20 kuni +50 °C --> märgutulel hakkavad nupu G ⑦c vajutamisel 2 taset vilkuma; oodake, kuni aku on taas lubatud töötemperatuuri vahemikus**
    - aku on peaaegu tühi (et kaitsta seda täieliku tühjenemise eest) --> aku laetusastme märgutuli kuvab nupu G vajutuse järel madalat akutaset või vilkuvat madalat akutaset ⑦b; laadige akut;**
    - ! ärge vajutage enam lülile (sisse/välja), kui tööriist on end automaatselt välja lülitanud, sest see võib akut kahjustada.**
- Pöörlemissuuna muutmine ⑧
  - kui see pole õigesti vasak-/parempoolsesse asendisse seadud, ei saa lüliti B ② aktiveerida.
  - ! Pöörlemissuunda tohib muuta üksnes siis, kui seade on täielikult seiskunud.**
- Otsakute ⑨a ja ⑨b paigaldamine ja eemaldamine
  - ! enne padrunisse asetamist tuleb SDS+ tarvik puhastada ja kergelt määrida**
  - lükake tarvik pöördliigutusega SDS+ padrunisse; tarvik lukustub automaatselt
  - kontrollige lukustust, tõmmates tarvikust
  - tarviku eemaldamiseks tõmmake fikseerimisrõngast D tahapoole
  - ! SDS+ tarvik peab saama padrunis vabalt liikuda; see põhjustab tühikäigul tarviku mõningase "viskumise"; puurimisel tsentreerub tarvik padrunis automaatselt ja seetõttu ei mõjuta tühikäigul tekkiv "viskumine" puurimistäpsust**
  - ! Ärge kasutage kahjustatud varrega otsakuid.**
- Kombinatsioonlülitit sisse-ävaljalülitamiseks ⑩ ning kiiruse kontrolliks ⑪
  - avaldades lülile B suuremat või väiksemat survet, saab kiirust sujuvalt reguleerida nullist kuni maksimaalsete pööreteni.
- Töörežiimi valik ⑫
  - pöörake lüliti C soovitud tööasendisse, kuni see klõpsatab kinni
  - 1 = tavaline puurimine/ kruvide keeramine
  - 2 = löökpuurimine
  - 3 = meiseldamine pöörleva meisliga
  - 4 = meiseldamine fikseeritud meisliga

### **! valige töörežiim ainult siis, kui tööriist on välja lülitatud ja aku on eemaldatud**

- vasarapuurimismehhanismi aktiveerib tööriistale avaldatav kerge surve, kui puur puutub vastu töödeldavat eset
- kulub veidi aega, enne kui vasarapuurimismehhanism saavutab täisvõimsuse
- parimad vasarapuurimistulemused saate, kui rakendate tööriistale üksnes kergest survet; tugevam surve ei paranda puurimistulemust
- Meiseldamine fikseeritud meisliga ⑬
  - ! lülitage tööriist välja ja eemaldage aku**
  - valige "pöörlemisega" meiseldusrežiim
  - pöörake meisel soovitud asendisse
  - valige fikseeritud meiseldusrežiim
- LED-tuli ⑭
  - LED-märgutuli E süttib automaatselt töölülitit B aktiveerimisel
  - ! Kui LED-tuli hakkab vilkuma, on aku kaitse rakendatud (vt ülalpool)**
- Seadme hoidmine ja juhtimine ⑮
  - ! töötamise ajal hoidke tööriista kinni halli värvi haardepinnast (haardepinnadest)**
  - hoidke tööriista alati külgkäepidemest J** (reguleeritav vastavalt joonisele) ⑯
  - Hoidke ventilatsioonivad F ② vabad.
  - Ärge rakendage tööriistale liigset survet; laske lülitil enda heaks töötada.
- Puurimissügavuse reguleerimine ⑰

## TÖÖJUHISED

- Kasutage sobivaid puuriterasid ⑱
- ! kasutage üksnes teravaid puuriterasid**
- Puidu, metalli ja plasti puurimiseks muude kui SDS-puuriteradega kasutage adapterit (ei kuulu standardkomplekti) ⑲
  - ! enne padrunisse asetamist tuleb SDS+ tarvik puhastada ja kergelt määrida**
  - tõmmake fikseerimisrõngas D tagasi ja lükake adapter pöördliigutusega SDS+ padrunisse; adapter lukustub automaatselt
  - kontrollige lukustust, tõmmates adapterist
  - lükake lüliti C tavalise puurimise asendisse (aktiveerige tööriist üksnes siis, kui seade on välja lülitatud ja lüliti on lukustatud)
- Metalli puurimisel
  - kui vajate suuremat aku, puurige algul ette väike auk
  - määrige otsakuid aeg-ajalt õliga
- Kruvi keeramisel puidu otsapiirkonda on soovitatav auk ette puurida, et vältida puidu lõhenemist.
- Puidu puurimine kilde tekitamata ⑳
- Seinte puurimine tolmu tekitamata ㉑
- Lagede puurimine tolmu tekitamata ㉒
- Keraamiliste plaatide puurimine ilma libisemata ㉓
- Lisateavet lugege aadressilt [www.skil.com](http://www.skil.com)

## HOOLDUS/TEENINDUS

- Tööriist pole mõeldud professionaalseks kasutamiseks.
- Hoidke tööriist alati puhas (eriti ventilatsioonivad F ②)
- ! enne puhastamist eemaldage tööriistast aku**
- Tööriist on hoollikalt valmistatud ja testitud. Kui tööriist sellest hoolimata rikki läheb, tuleb see lasta

parandada SKILi elektriliste käsitööriistade volitatud remonditöökojas.

- Toimetage lahtimonteerimata tööriist koos ostukviitungiga edasimüüjale või lähimasse SKILi lepingulisse töökotta (aadressid ja tööriista varuosade joonise leiate aadressilt [www.skil.com](http://www.skil.com)).
- Arvestage sellega, et garantii ei hõlma seadme ülekoormamisest või ebaõigest käsitemisest tulenevaid kahjustusi (teavet SKILi garantiitingimuste kohta vaadake veebilehelt [www.skil.com](http://www.skil.com) või küsige kohalikul müügiesindajalt).

## KESKKOND

- Ärge visake kasutuskõlbatuks muutunud elektrilisi tööriistu, akusid, lisatarvikuid ja pakendeid ära koos olmejäätmetega (üksnes ELi liikmesriikidele).
  - vastavalt Euroopa Parlamendi ja nõukogu direktiivile 2012/19/EÜ elektri- ja elektroonikaseadmete jäätmete kohta ning direktiivi nõuete kohaldamisele liikmesriikides tuleb kasutuskõlbatuks muutunud elektrilised tööriistad koguda eraldi ja keskkonnasäästlikult korduvkasutada või ringlusse võtta.
  - Kõrvaldamisvajaduse tekkimisel meenutab seda teile sümbol ⑥.
- ! Enne aku kasutusest kõrvaldamist katke selle klemme tugeva teibiga, et vältida lühise teket.**

## MÜRA / VIBRATSIOON

- Standardi EN 62841 kohaselt mõõdetud tööriista helihõhutase on 93,4 dB(A) ja helivõimsustase on 104,4 dB(A) (määramatus K = 3 dB) ning vibratsioon\* (triaksaalvektorite summa; määramatus K = 1,5 m/s<sup>2</sup>).
  - \* betooni lõõkpuurimisel 16,2 m/s<sup>2</sup>
  - \* meislimisel 12,8 m/s<sup>2</sup>
  - Tekkiva vibratsiooni tase on mõõdetud vastavalt standardis EN 62841 kirjeldatud standardiseeritud testile; seda võib kasutada tööriistade võrdlemiseks ja tööriista kasutamisel ettenähtud töödel esineva vibratsiooni esialgsuks hindamiseks.
  - Tööriista kasutamisel muudeks rakendusteks või teiste / halvasti hooldatud tarvikute kasutamisel võib vibratsioon märkimisväärselt **suureneda**.
  - Ajal, kui tööriist on väljalülitatud või on küll sisselülitatud, kuid tegelikult seda ei kasutata, võib vibratsioon märkimisväärselt **väheneda**.
- ! Enda kaitsmiseks vibratsiooni eest hooldage tööriista ja selle tarvikuid korralikult, hoidke oma käed soojad ja tagage sujuv töökorraldus.**

LV

**Bezsuku bezvadu  
perforators**

**3851**

## IEVADS

- Šis instruments ir paredzēts triecienuurbšanai betonā, kiegēļos un mūrī, kā arī urbšanai kokmateriālā, metālā, keramikā un plastmasā. instrumenta modeļi ar elektronisko ātruma regulēšanas sistēmu un rotāciju pa kreisi/pa labi ir piemēroti arī skrūvju iegriešanai un vītņu

griešanai

- Veicot urbšanu betonā, šā instrumenta veserurbšanas sistēma efektivitātes ziņā pārspēj jebkuru tradicionāli lietojamo triecienuurbmašīnu
- Šis instruments ir paredzēts izmantošanai kopā ar visiem SDS+ sistēmas darbinstrumentiem
- Šis instruments nav paredzēts profesionālai lietošanai.
- Ja trūkst kādas daļas vai tā ir bojāta, lūdzu, sazinieties ar izplatītāju
- **Pirms lietošanas rūpīgi izlasiet šos norādījumus un saglabājiet tos vēlākai uzziņai** ③
- **Stingri ievērojiet drošības instrukcijas un brīdinošos norādījumus, jo pretējā gadījumā jūs riskējat gūt smagu traumu**

## TEHNISKIE DATI ①

### INSTRUMENTA ELEMENTI ②

- A** Rotācijas virziena (uz priekšu/centrālā bloķēšana/atpakaļ) selektors
- B** Ieslēdzējs un griešanās ātruma regulators
- C** Darba režīma pārslēdzējs
- D** Fiksējošā uzmvava
- E** Gaismas indikators
- F** Ventilācijas atveres
- G** Akumulatora uzlādes līmeņa indikatora poga
- H** Dziļuma mērīstruments
- J** Papildu rokturis

## DROŠĪBA

### VISPĀRĒJIE ELEKTROINSTRUMENTA DROŠĪBAS BRĪDINĀJUMI

**! BRĪDINĀJUMS!** Izlasiet visus ar šo elektroinstrumentu saistītos drošības brīdinājumus, norādījumus, specifikācijas un aplūkojiet attēlus. Visu turpmāk uzskaitīto norādījumu neievērošana var izraisīt elektriskās strāvas triecienu, aizdegšanos un/vai nopietnas traumas.

### Saglabājiet visus brīdinājumus un instrukcijas turpmākai atsaucēi.

Brīdinājumus lietotais termins „elektroinstruments” attiecas uz elektriski darbināmu instrumentu, kura barošanu nodrošina elektrotīkls (ar elektrokabeli) vai akumulators (bez elektrokabeļa).

#### 1) DROŠĪBA DARBA ZONĀ

- a) Uzturiet darba zonu tīru un labi apgaismotu.**  
Nesakārtotā un slikti apgaismotā darba zonā var notikt nelaimes gadījumi.
  - b) Nedarbiniet elektroinstrumentu sprādzienbīstamā vidē, piemēram, viegli uzliesmojošu šķidrumu, gāzu vai putekļu klātbūtnē.** Elektroinstrumenti rada dzirksteles, kas var aizdedzināt putekļus vai izgarojumu tvaikus.
  - c) Neļaujiet bērniem un klātesošajiem atrasties elektroinstrumenta tuvumā, kamēr tas darbojas.** Apjukuma brīdī jūs varat zaudēt vadību pār iekārtu.
- #### 2) ELEKTRODROŠĪBA
- a) Elektroinstrumenta kontaktdakšai jāsakrīt**

ar kontaktrozeti. Nekad nekādā veidā nepārveidojiet kontaktdakšu. Neizmantojiet adaptera kontaktdakšas kopā ar iezemētiem elektroinstrumentiem. Lietojot nepārveidotas kontaktdakšas un atbilstošas kontaktilgšanas tiek samazināts elektriskās strāvas trieciena risks.

- b) **Nepieskarieties sazemētām virsmām, piemēram cauruļvadiem, radiatoriem, plītim un ledusskapjiem.** Saņemoties Jūs palielināt elektriskās strāvas trieciena risku.
  - c) **Sargājiet elektroinstrumentus no lietus vai mitruma.** Mitruma iekļūšana elektroinstrumentā palielina elektriskās strāvas trieciena risku.
  - d) **Nebojājiet strāvas vadu. Nekad nelietojiet strāvas vadu elektroinstrumenta pārnēsāšanai, vilkšanai vai kontaktdakšas izvilkšanai no kontaktrozetes. Sargājiet strāvas vadu no karstuma, eļļas, asām malām vai kustīgām daļām.** Bojāti vai samudzīnāti strāvas vadi palielina risku saņemt elektriskās strāvas triecienu.
  - e) **Strādājot ar elektroinstrumentu ārpus telpām, nodrošiniet, lai arī izmantotie pagarinātājadi būtu piemēroti āra darbiem.** Āra darbiem paredzēta vadu pagarinātāja izmantošana samazina elektriskās strāvas trieciena risku.
  - f) **Ja nav iespējams izvairīties no elektroinstrumenta darbināšanas mitrā vietā, izmantojiet barošanas sistēmu, kas aizsargāta ar noplūdes strāvas aizsardzības ierīcēm (RCD).** Noplūdes strāvas aizsardzības ierīču izmantošana samazina elektriskās strāvas trieciena risku.
- 3) **PERSONĪGĀ DROŠĪBA**
- a) **Darbinot elektroinstrumentu, esiet modri, pievērsiet uzmanību tam, ko jūs darāt, un rīkojieties ar to saprātīgi. Nelietojiet elektroinstrumentu, ja esat noguruši vai atrodaties apreibinošu vielu, alkohola vai medikamentu ietekmē.** Pat viens mīkls neuzmanības elektroinstrumenta lietošanas laikā var kļūt par cēloni nopietnām traumām.
  - b) **Izmantojiet individuālos aizsarglīdzekļus. Vienmēr valkājiet acu aizsarglīdzekļus.** Ja tiek lietots darba specifikai atbilstošs aizsargaprīkojums, piemēram, maska ar putekļu filtru, neslidoši darba apavi, ķivere vai austiņas, samazinās traumu gūšanas risks.
  - c) **Novērsiet nejaušas ieslēgšanās iespējamību.** Pirms instrumenta pievienošanas strāvas avotam un/vai akumulatoru blokam pārliecinieties, vai slēdzis atrodas izslēgtā stāvoklī. Pārnēsājot elektroinstrumentu ar pirkstu uz slēdža vai iedarbinot elektroinstrumentu, kas jau ir ieslēgtā stāvoklī, var notikt nelaimes gadījums.
  - d) **Pirms elektroinstrumenta ieslēgšanas izņemiet visas noregulēšanas vai uzgriežņu atslēgas.** Regulēšanas instruments vai atslēga, kas palikusi elektroinstrumenta rotējošās daļās, var izraisīt traumas.
  - e) **Nepārvērtējiet savas spējas. Ieņemiet pareizu stāju un vienmēr saglabājiet līdzsvaru.** Tādējādi jūs varēsiet labāk apvaldīt elektroinstrumentu negaidītās situācijās.
  - f) **Valkājiet atbilstošu apģērbu. Nevalkājiet vaļīgu apģērbu vai rotaslietas. Sargājiet matus, apģērbu un cimdus no kustīgajām daļām.** Vaļīgs apģērbs, rotaslietas vai gari mati var iekerties iekārtas kustīgajās daļās.

- g) **Ja iekārtas ir paredzētas savienošanai ar putekļu nosūcšanas un savākšanas iekārtām, pārliecinieties, vai tās ir pieslēgtas un tiek izmantotas pareizi.** Putekļu savākšanas ierīču izmantošana var samazināt ar putekļiem saistītos apdraudējumus.
  - h) **Nepieļaujiet, ka iekārtas bieža lietošana varētu izraisīt nevērigu attieksmi darbā ar to, un neignorējiet ar iekārtas lietošanu saistītos drošības principus.** Viens brīdis neuzmanības var izraisīt nopietnas traumas.
- 4) **ELEKTROINSTRUMENTA LIETOŠANA UN APKOPE**
- a) **Nespiediet elektroinstrumentu ar spēku.** Lietojiet attiecīgajam darbam piemērotāko elektroinstrumentu. Piemērots elektroinstrumenti labāk un drošāk spēs izpildīt veicamo darbu, darbojoties tam paredzētajā ātrumā.
  - b) **Nelietojiet elektroinstrumentu, ja to nav iespējams ieslēgt un izslēgt ar slēdzi.** Ja elektroinstrumentu nav iespējams ieslēgt un izslēgt ar slēdzi, tas ir bīstams, tāpēc nekavējoties jāsalabo.
  - c) **Pirms jebkādu pielāgojumu veikšanas, piederumu maiņas vai elektroinstrumenta novietošanas glabāšanā atvienojiet kontaktdakšu no barošanas avota un/vai izņemiet no elektroinstrumenta akumulatora bloku, ja to var izdarīt.** Šādi profilaktiski drošības pasākumi palīdz samazināt elektroinstrumenta nejaušas ieslēgšanās risku.
  - d) **Ja elektroinstrumenti kādu laiku netiek lietoti, uzglabājiet tos bērniem nepieejamā vietā un neļaujiet ar elektroinstrumentu darboties personām, kas instrumentu nepārzina vai nav izlasījušas šīs instrukcijas.** Nemākulīgās rokās nonākuši elektroinstrumenti ir potenciāls briesmu avots.
  - e) **Veiciet elektroinstrumentam un piederumiem apkopi. Pārbaudiet, vai ir pareizi uzstādītas kustīgās daļas un vai tās neķeras, un vai elektroinstrumenta daļām nav bojājumu, kas var negatīvi ietekmēt tā darbību. Bojāts elektroinstrumentis ir jāsalabo pirms nākamās lietošanas reizes.** Daudzu negadījumu cēlonis ir sliktā stāvoklī esošu elektroinstrumentu izmantošana.
  - f) **Griezējinstrumentiem jābūt asiem un tīriem.** Rūpīgi kopti griezējinstrumenti retāk iestrēgst un ir vieglāk vadāmi.
  - g) **Lietojiet elektroinstrumentu, tā piederumus un maināmos instrumentus, kā arī citus saistītos elementus atbilstoši šiem norādījumiem, ņemot vērā darba apstākļus un veicamo uzdevumu.** Elektroinstrumenta lietošana neparedzētiem mērķiem var radīt bīstamu situāciju.
  - h) **Rokturiem un satveršanas daļām jābūt sausiem, tīriem un uz tiem nedrīkst būt eļļa vai smērviela.** Ja rokturi un satveršanas daļas ir mitras, tās slīdēs, un ar instrumentu vairs nebūs droši strādāt, kā arī apvaldīt neparedzētu apstākļu gadījumos.
- 5) **AKUMULATORA LIETOŠANA UN APKOPE**
- a) **Uzlādējiet iekārtu tikai ar ražotāja noteikto lādētāju.** Lādētājs, kas paredzēts lietošanai tikai ar viena veida akumulatoru bloku, var radīt aizdegšanās draudus, ja to izmanto kopā ar citu akumulatoru bloku.
  - b) **Lietojiet elektroinstrumentus kopā tikai ar tiem paredzētiem akumulatoru blokiem.** Jebkura cita

akumulatoru bloka lietošana var radīt traumu gūšanas un aizdegšanās risku.

- c) **Kad akumulatoru bloks netiek izmantots, neglabāriet to citu metāla priekšmetu, piemēram, papīra saspauzdu, monētu, atslēgu, naglu, skrūvju vai citu sīku metāla priekšmetu, kas var veidot savienojumu starp spailēm, tuvumā.** Akumulatora spaiļu īsslēgums var izraisīt aizdegšanos vai ugunsgrēku.
  - d) **Nepareizas rīcības gadījumā no akumulatora var iztecēt šķidrums; izvairieties no saskares ar to. Ja tas nejausi nokļuvis uz ādas, noskalojiet ar ūdeni. Ja šķidrums iekļuvis acīs, nekavējoties meklējiet medicīnisko palīdzību.** No akumulatora izkļušais šķidrums var izraisīt kairinājumu vai apdegumus.
  - e) **Nelietojiet bojātu vai pārveidotu akumulatoru bloku vai instrumentu.** Bojātu vai pārveidotu akumulatoru izmantošana var radīt neparedzamus apstākļus, kas rada aizdegšanās, sprādziena vai traumas gūšanas draudus.
  - f) **Nepakļaujiet akumulatoru bloku vai instrumentu uguns liesmu vai pārmērīgas temperatūras iedarbībai.** Uguns liesmu iedarbība vai temperatūra virs 130 °C var izraisīt sprādzienu.
  - g) **Izpildiet visas uzlādēšanas instrukcijas un neuzlādējiet akumulatoru bloku vai instrumentu ārpus instrukcijās norādītajām temperatūras vērtībām.** Ja iekārta tiek uzlādēta nepareizi vai tiek pārsniegtas instrukcijās norādītās uzlādēšanas temperatūras vērtības, akumulators var sabojāties un palielināt aizdegšanās risku.
- 6) **SERVISS**
- a) **Elektroinstrumenta remontdarbus drīkst veikt tikai kvalificēts speciālists, izmantojot tikai oriģinālās rezerves daļas.** Tādējādi tiks garantēts elektroinstrumenta lietošanas drošums.
  - b) **Nekad neveiciet bojātam akumulatoru blokam remontdarbus pašrocīgi.** Bojāta akumulatoru bloka remontdarbus drīkst veikt tikai ražotājs vai pilnvaroti servisa darbinieki.

## **DROŠĪBAS NORĀDĪJUMI PAR BEZVADU TRIECIENURBJMAŠĪNU**

- **Valkāt dzirdes aizsarglīdzekļus.** Trokšņa iedarbība var izraisīt dzirdes zudumu
- **Izmantojiet palīgrokturi(-us), kas iekļauts(-i) komplektācijā.** Vadības zaudēšana var izraisīt traumas
- **Veicot darbu, kura laikā elektroinstrumenti var skart slēptus elektriskos vadus, turiet instrumentu tikai aiz izolētajām virsmām** (elektroinstrumentam skarot spriegumnesošus vadus, spriegums nonāk arī uz instrumenta metāla daļām un var izraisīt elektrisko triecienu)

## **DROŠĪBAS NORĀDĪJUMI ATTIECĪBĀ UZ GARU URBJU LIETOŠANU TRIECIENURBJMAŠĪNĀS**

- **Vienmēr sāciet urbsānu nelielā ātrumā, uzgala galam saskaroties ar urbjamo detaļu.** Rotējot lielākā ātrumā n nesaskaroties ar urbjamo detaļu, uzgalis var saliekties, kas var izraisīt savainojumu.
- **Piespiediet tieši tādā virzienā, kādā vērstas uzgalis, un nespiediet pārāk stipri.** Uzgali var saliekties, tā tie var salūzt vai varat zaudēt vadību pār instrumentu un gūt savainojumu.

## **VISPĀRĒJA INFORMĀCIJA**

- **Neapstrādājiet materiālus, kas satur azbestu** (azbestam piemīt kancerogēnas īpašības)
- Šo instrumentu nedrīkst izmantot personas, kas jaunākas par 16 gadiem
- Materiāla, piemēram svīnu saturošas krāsas, dažu koka šķirņu, minerālu un metāla, putekļi var būt kaitīgi (saskare ar putekļiem vai to ieelpošana var izraisīt alerģiskas reakcijas un/vai elpošanas ceļu saslimšanas operatoram vai klātesošajiem); **izmantojiet putekļu masku un putekļsūcēju, ja to iespējams pievienot**
- Dažu veidu putekļi ir klasificēti kā kancerogēni (piemēram, ozola vai dižskābarža putekļi), jo īpaši apvienojumā ar koksnes kondicionēšanas piedevām; **izmantojiet putekļu masku un putekļsūcēju, ja to iespējams pievienot**
- Ievērojiet ar putekļu savākšanu saistītos nacionālos noteikumus, kas attiecas uz apstrādājamajiem materiāliem

## **PIRMS DARBA UZSĀKŠANAS**

- Izvairieties no instrumenta bojājumiem, ko var radīt apstrādājamajā priekšmetā esošās skrūves, naglas vai citi līdzīgi objekti; pirms darba uzsākšanas atbrīvojiet apstrādājamo materiālu no šādiem priekšmetiem
- **Nostipriniet apstrādājamo detaļu** (to ir drošāk nostiprināt ar spailēm vai skrūvspīlēm, nevis turēt rokā)
- **Ar piemērota metālmeklētāja palīdzību pārbaudiet, vai apstrādes vietu nešķērso slēptas elektropārvades līnijas, kā arī gāzes vai ūdens caurules; šaubu gadījumā griezties vietējā komunālās saimniecības iestādē** (darbinstrumentam skarot elektrotīkla fāzes līniju, var izcelties ugunsgrēks un strādājošais var saņemt elektrisko triecienu; gāzes vada bojājums var izraisīt sprādzienu; darbinstrumentam skarot ūdensvada cauruli, var tikt bojātas materiālās vērtības un strādājošais var saņemt elektrisko triecienu)
- Pirms regulēšanas vai piederumu nomaiņas, kā arī, pārnesot vai uzglabājot instrumentu, pārlicinieties, ka tā pārslēdzējs B ② atrodas vidējā (bloķētā) stāvoklī.
- **Nemiet vērā reaktīvo spēku, kas rodas darbinstrumentam iesprūstot** (īpaši, veicot urbsānu metālā); **vienmēr izmantojiet papildrokturi J** un nodrošiniet stabilu pamatu zem kājām

## **PIEDERUMI**

- Firma SKIL garantē instrumenta nevainojamu darbību tikai tad, ja tiek lietoti oriģinālie papildpiederumi
- Lietojiet tikai tādus darbinstrumentus, kuru pieļaujamais darbības ātrums ir vismaz tikpat liels, kā instrumenta maksimālais brīvgaitas ātrums

## **PĒC DARBA PABEIGŠANAS**

- Pirms instrumenta novietošanas izslēdziet tā elektrodzinēju un nogaidiet, līdz ir pilnīgi apstājušās visas instrumenta kustīgās daļas

## **AKUMULATORI**

- **Komplektā iekļautais akumulators ir daļēji uzlādēts** (lai nodrošinātu pilnu akumulatora jauku, pirms elektroinstrumenta pirmās izmantošanas reizes uzlādējiet to pilnībā, izmantojot uzlādes ierīci)
- **Izmantojiet tikai instrumenta piegādes komplektā ietilpstošos akumulatorus un uzlādes ierīces**
  - SKIL akumulators: BR1\*31\*\*\*\*
  - SKIL lādētājs: CR1\*31\*\*\*\*
- Nelietojiet bojātu akumulatoru; tas nekavējoties jānomaina
- Neizjauciet akumulatoru

- Neatstājiet instrumentu/akumulatoru lietū
- Pieļaujama apkārtējā gaisa temperatūra (instruments/lādētājs/akumulators):
  - uzlādes laikā 4...40 °C
  - darba laikā -20...+50 °C
  - uzglabāšanas laikā -20...+50 °C

## UZ INSTRUMENTA/AKUMULATORA ATTĒLOTO

### SIMBOLU SKAIDROJUMS

- ③ Pirms ekspluatācijas izlasiet instrukciju rokasgrāmatu
- ④ Ja akumulators tiks dedzināts, tas eksplodēs, tāpēc nekādā gadījumā to nededziniet
- ⑤ Uzglabājiet instrumentu/lādētāju/akumulatoru vietā, kur temperatūra nepārsniedz 50 °C
- ⑥ Neizmetiet elektroiekārtas un baterijas kopā ar sadzīves atkritumiem

## LIETOŠANA

- Akumulatora uzlādēšana
  - ! **izlasiet lādētāja komplektā iekļautos drošas lietošanas noteikumus un norādījumus**
- Akumulatora izņemšana/ievietošana ②
- Akumulatora uzlādes statusa indikators ⑦
  - lai uzzinātu akumulatora uzlādes līmeni ⑦a, nospiediet akumulatora līmeņa rādītāja pogu G
  - ! **ja pēc G⑦b pogas nospiešanas sāk mirgot akumulatora indikatora apakšējais līmenis, tas nozīmē, ka akumulators ir tukšs**
  - ! **ja pēc pogas G⑦c nospiešanas sāk mirgot 2 akumulatora indikatora līmeņi, tas nozīmē, ka akumulators neatrodas pieļaujamajā darba temperatūras diapazonā**
- Akumulatora aizsardzība
  - Instruments tiek tūlīt izslēgts vai arī to nav iespējams ieslēgt, ja
    - **pārāk liela slodze** --> samaziniet slodzi un ieslēdziet instrumentu no jauna
    - **akumulatora temperatūra ir ārpus atļautā darba diapazona no -20 līdz +50 °C** --> nospiežot pogu G⑦c, sāk mirgot akumulatora 2 līmeņu rādītāja iedaļas; pagaidiet, līdz akumulatora temperatūra atkal ir atļautajā darba diapazonā
    - **akumulators ir gandrīz tukšs (aizsardzībai pret pilnīgu izlādi)** --> nospiežot pogu G, akumulatora līmeņa rādītājā ir attēlota zemākā akumulatora līmeņa rādītāja iedaļa vai mirgojoša zemākā akumulatora līmeņa rādītāja iedaļa ⑦b; uzlādējiet akumulatoru
  - ! **pēc instrumenta automātiskas izslēgšanās nedrīkst spiest ieslēgšanas un izslēgšanas slēdzi, jo tā var sabojāt akumulatoru**
- Rotācijas virziena pārslēgšana ⑧
  - pārslēgu B② nevar aktivizēt, ja tas nav pareizi iestatīts kreisajā/labajā stāvoklī
  - ! **pārslēdziet griešanās virzienu tikai tad, kad instruments ir pilnībā apstājies**
- Uzgaļu ⑨a un ⑨b uzstādīšana un noņemšana
  - ! **pirms SDS+ darbinstrumenta iestiprināšanas notīriet un ieeļļojiet to**
  - ievietojiet darbinstrumenta kātu, to nedaudz pagrozot, SDS+ sistēmas urbjpatronā, līdz tas automātiski nofiksējas
  - pārbaudiet darbinstrumenta fiksāciju, nedaudz to paveltot ārā no urbjpatronas
  - izņemiet darbinstrumentu, paveltot fiksējošo uznavu D

virzienā uz instrumenta aizmuguri

**! SDS+ sistēmas darbinstrumentiem nepieciešama kustības brīvība, kas rada ekscentriskumu, kad instruments darbojas tukšgaitā; taču tas neietekmē urbumu precizitāti, jo urbšanas laikā darbinstruments automātiski centrējas**

**! neizmantojiet uzgaļus ar bojātu kakliņu**

- Kombinētais slēdzis instrumenta ieslēgšanai/izslēgšanai ⑩ un ātruma regulēšanai ⑪
  - izmainot spiedienu uz ieslēdzēju B, plūstoši regulējiet darbārpstas griešanās ātrumu no nulles vērtības līdz maksimālajai
- Darba režīma izvēle ⑫
  - pagrieziet slēdzi C uz vēlamo darba režīmu, līdz tas nofiksējas
  - 1 = parastā urbšana/skrūvēšana
  - 2 = triecienurbšana
  - 3 = kalšana ar rotējošu kaltu
  - 4 = kalšana ar fiksētu kaltu
  - ! **darba režīmu izvēlas tikai tad, kad instruments ir izslēgts un akumulators ir izņemts**
  - vesera mehānisms tiek aktivēts, izdarot vieglu spiedienu uz instrumentu, kad tā urbja gals pieskaras apstrādājamajam priekšmetam
  - lai vesera mehānisms sasniegtu pilnu trieciena spēku, ir nepieciešams neilgs laiks
  - augstu veserurbšanas kvalitāti var panākt, izdarot tikai vieglu spiedienu uz instrumentu; izdarot lielāku spiedienu uz instrumentu, urbšanas kvalitāte neuzlabojas
- Kalšana ar fiksētu kaltu ⑬
  - ! **izslēdziet ierīci un izņemiet akumulatoru**
  - izvēlieties rotējoša kalta režīmu
  - novietojiet kaltu vajadzīgajā pozīcijā
  - izvēlieties fiksēta kalta režīmu
- LED gaisma ⑭
  - ieslēdzot B slēdzi, automātiski iedegas LED gaisma E
  - ! **LED darba gaismai sākot mirgot, tiek aktivizēta akumulatora aizsardzība (skatīt zemāk)**
- Instrumenta turēšana un pārvietošana ⑮
  - ! **darba laikā vienmēr turiet instrumentu aiz pelēkās krāsas noturvirsmas(ām)**
  - vienmēr izmantojiet papildrokturi (tā stāvoklis ir regulējams, kā parādīts attēlā) ⑯
  - nenosprostoņiet ventilācijas atveres F②
  - darba laikā pārlieku nespiediet instrumentu; ļaujiet tam darboties nominālā režīmā
- Urbšanas dziļuma iestādīšana ⑰

## PRAKTISKI PADOMI

- Lietojiet tikai tādus uzgaļus, kas atbilst apstrādājamajam materiālam ⑱
- ! **lietojiet tikai asus uzgaļus**
- Urbjot kokā, metālā un plastmasā ar urbi, kas nav SDS urbis, lietojiet adapteri (neietilpst standarta piegādes komplektā) ⑲
- ! **pirms SDS+ darbinstrumenta iestiprināšanas notīriet un ieeļļojiet to**
- pavelciet fiksējošo uznavu D virzienā uz instrumenta aizmuguri un iestipriniet savienotos adapteru, tos nedaudz pagrozot, SDS+ sistēmas urbjpatronā, līdz adapters automātiski nofiksējas
- pārbaudiet adaptera fiksāciju, nedaudz to paveltot ārā

- no urbjpatronas
- ar slēdža C palīdzību iestatiet parasto urbšanas režīmu (tas ir aktivizējas tikai tad, ja instruments ir izslēgts un slēdzis nobloķēts)
- Melno metālu urbšana
  - ja nepieciešams izveidot liela diametra urbumu, vispirms ieurbiet mazāka izmēra atvērumu
  - laiku pa laikam ieeļļojiet urbi
- Veicot skrūves ieskrūvēšanu tuvu koka priekšmeta vai konstrukcijas malai, vispirms ieteicams ieurbt atvērumu, lai novērstu koksnes plaisāšanu
- Urbumu veidošana koksnē bez apstrādājamā materiāla daļiņu atšķelšanās ②
- Urbumu veidošana sienās, vienlaicīgi savācot urbšanas rezultātā radušos grūžus ②
- Urbumu veidošana griestos, vienlaicīgi savācot urbšanas rezultātā radušos grūžus ②
- Urbumu veidošana flīzēs, nepieļaujot to saplaisāšanu ③
- Papildu informāciju skatīt tīmekļa vietnē [www.skil.com](http://www.skil.com)

## APKOPE/SERVISS

- Šis instruments nav paredzēts profesionālai lietošanai.
- Vienmēr uzturiet instrumentu tīru (īpaši ventilācijas atveres F②)
- ! **pirms tīrīšanas izņemiet no instrumenta akumulatoru**
- Ja, neraugoties uz augsto izgatavošanas kvalitāti un rūpīgo pērcražošanas pārbaudi, instruments tomēr sabojājas, tas jānogādā remontam firmas SKIL pilnvarotā elektroinstrumentu remonta darbnīcā.
  - nogādājiet instrumentu neizjauktā veidā kopā ar iegādes dokumentiem tuvākajā tirdzniecības vietā vai firmas SKIL pilnvarotā piegādes apkalpošanas un remonta iestādē (adreses un instrumenta apkalpošanas shēma ir sniegta interneta vietnē [www.skil.com](http://www.skil.com))
- Ievērojiet, ka garantijā neietilpst pārslodzes vai nepareizas instrumenta ekspluatācijas izraisītie bojājumi (SKIL garantijas noteikumus skatiet [www.skil.com](http://www.skil.com) vai vērsieties pie izplatītāja)

## APKĀRTĒJĀS VIDES AIZSARDZĪBA

- **Neizmetiet elektroiekārtas, baterijas, piederumus un iesaiņojuma materiālus sadzīves atkritumos** (tikai ES valstīm)
  - saskaņā ar Eiropas Savienības direktīvu 2012/19/ES par nolietotajām elektriskajām un elektroniskajām iekārtām un tās atspoguļojumiem nacionālajā likumdošanā, nolietotās elektroiekārtas ir jāsavāc, jāizjauc un jānogādā otrreizējai pārstrādei apkārtējai videi nekaitīgā veidā
  - Simbols ⑥ atgādina par nepieciešamību tos likvidēt videi nekaitīgā veidā.
- ! **pirms akumulatora utilizācijas tā kontakti jāaplīmē ar izolācijas lenti, lai nepieļautu īssavienojuma rašanos starp tiem**

## TROKSNIS / VIBRĀCIJA

- Veicot mērījumus atbilstoši EN 62841, šī instrumenta akustiskā spiediena līmenis ir 93,4 dB(A) un akustiskās jaudas līmenis ir 104,4 dB(A) (nenoteiktība K = 3 dB), bet vibrācija\* (triaksiālā vektora summa; nenoteiktība K = 1,5/s<sup>2</sup>)

\* veicot triecienuurbšanu betonā 16,2 m/s<sup>2</sup>

\* veicot kalšanu 12,8 m/s<sup>2</sup>

- Vibrācijas līmenis ir noteikts, izmantojot standartā EN62841 paredzēto procedūru; to var izmantot, lai salīdzinātu instrumentus un provizoriski izvērtētu vibrācijas iedarbību, lietojot instrumentu minētajiem mērķiem
  - instrumenta izmantošana citiem mērķiem vai ar citiem vai nepietiekami koptiem piederumiem var ievērojami **palielināt** kopējo vibrācijas iedarbības pakāpi
  - laika periodi, kad instruments ir izslēgts vai arī ir ieslēgts, taču darbs ar to nenotiek, var ievērojami samazināt kopējo vibrācijas iedarbības pakāpi, **samazinot** iedarbības līmeni
- ! **pasargājiet sevi no vibrācijas iedarbības, veicot instrumenta un tā piederumu tehnisko apkopi, novēršot roku atdzišanu un pareizi organizējot darbu**

LT

## Belaidis plaktukinis grēztuvas su bešepečiu varikliu

3851

### ĮVADAS

- Šis įrankis skirtas betonui, plytomis ir akmenims gręžti smūginio režimu, taip pat medienai, metalui, keramikai bei plastikui gręžti įprastu būdu; modeliui su elektroninio sūkių valdymo bei reverso funkcijomis tinka ir varžtams sukti bei sriegti.
- Šio prietaiso smūginio gręžimo sistema, veikianti plaktukiniu režimu, gręžiant betoną yra daug pranašesnė, nei bet kurio smūginio gręžtuvo.
- Su šiuo įrankiu galima naudoti visą standartinę SDS+ sistemą papildomą įrangą.
- Šis įrankis neskirtas profesionaliam naudojimui.
- Jei trūksta kokių nors dalių ar jos pažeistos, kreipkitės į įrankio pardavėją.
- **Atidžiai perskaitykite šį instrukcijų vadovą ir išsaugokite jį ateičiai.** ③
- **Ypatingą dėmesį atkreipkite į saugos instrukcijas ir įspėjimus; jei nepaisysite šių nurodymų, galite sunkiai susižaloti.**

## TECHNINIAI DUOMENYS ①

### ĮRANKIO DALYS ②

- A** Sukimo krypties selektorius (pirmyn / centrinis užraktas / atgal)
- B** Įjungimo ir išjungimo ir greičio reguliavimo jungiklis
- C** Darbo režimų perjungiklis
- D** Fiksavimo mova
- E** LED lemputė
- F** Ventilacinės angos
- G** Baterijos įkrovos lygio indikatorius mygtukas
- H** Gylio ribotuvas
- J** Papildoma rankena

## SAUGA

## BENDRIEJI ĮSPĖJIMAI DĖL DARBO SU ELEKTRINIŲ ĮRANKIŲ SAUGOS

**☒ ĮSPĖJIMAS** Perskaitykite ir peržiūrėkite visus su šiuo elektrinių įrankių pateiktus saugos nurodymus, instrukcijas, iliustracijas ir specifikacijas. Nesilaikant visų toliau išdėstytų nurodymų galima patirti elektros smūgi, sukelti gaisrą ir (ar) sunkiai susižaloti.

**Išsaugokite visas instrukcijas su įspėjimais, nes jų gali prireikti ateityje.**

Įspėjimuose vartojamu terminu „elektrinis įrankis“ nurodomas iš elektros lizdo maitinamas (laidinis) arba baterija maitinamas (belaidis) elektrinis įrankis.

### 1) SAUGA DARBO VIETOJE

- a) Darbo vieta turi būti švari ir gerai apšviesta. Jei darbo vieta netvarkinga ar blogai apšviesta, gali įvykti nelaimingas atsitikimas.
- b) Nedirbkite su elektriniu įrankiu sprogoje aplinkoje, pavyzdžiui, ten, kur yra degių skysčių, dujų arba dulkių. Elektriniai įrankiai gali kibirkščiuoti, o nuo kibirkščių gali užsidegti dulkės arba susikaupę garai.
- c) Dirbdami su elektriniu įrankiu, neleiskite artintis vaikams ir pašaliniais asmenims. Dėl dėmesio blaškymo galite nesuvaldyti įrankio.

### 2) ELEKTROSAUGA

- a) Elektrinio įrankio kištukas turi tikti elektros lizdui. Niekada ir jokiais būdais nebandykite perdaryti kištuko. Su įžemintais elektriniais įrankiais nenaudokite jokių kištuko adapterių. Originalūs kištukai, tiksliai tinkantys elektros tinklo lizdui, sumažina elektros smūgio pavojų.
- b) Nesilieikite prie įžemintų paviršių, pavyzdžiui, vamzdžių, radiatorių, viryklių ir šaldytuvų. Jei jūsų kūnas bus įžemintas, padidės elektros smūgio pavojus.
- c) Saugokite elektrinius įrankius nuo lietaus ir drėgmės. Į elektrinio įrankio vidų patekęs vandeniui padidėja elektros smūgio pavojus.
- d) Atsargiai elkitės su maitinimo laidu. Niekada neneškite ir netempkite elektrinio įrankio, laikydami už maitinimo laido. Netraukite laikydami už maitinimo laido, norėdami ištraukti kištuką iš elektros lizdo. Saugokite laidą nuo kaitros šaltinių, alyvos, aštrių briaunų ir judančių dalių. Pažeidus arba supainiojus laidus išsauga pavojus patirti elektros smūgi.
- e) Kai elektriniu įrankiu dirbate lauke, naudokite laukui skirtą laido ilgintuvą. Naudojant laukui skirtą maitinimo laidą, sumažėja pavojus patirti elektros smūgi.
- f) Jeigu elektrinio įrankio naudojimas drėgnoje vietoje yra neišvengiamas, naudokite maitinimo šaltinį su liekamąja srove valdomu atjungimo įtaisu (RCD). RCD naudojimas sumažina elektros smūgio pavojų.

### 3) ASMENINĖ SAUGA

- a) Dirbdami su elektriniu įrankiu būkite budrūs, stebėkite, ką darote, ir vadovaukitės sveika nuovoka. Nedirbkite su elektriniu įrankiu, jei esate pavargę arba vartojote narkotikus, alkoholį ar medikamentus. Dirbant su elektriniais įrankiais pakanka vienos neatidumo akimirkos ir galima sunkiai susižaloti.
- b) Naudokite asmeninės apsaugos priemones.

Visada būkite su apsauginiais akiniais. Darbo tam tikromis sąlygomis metu naudojant asmeninės apsaugos priemones, pvz., apsaugos nuo dulkių kaukę, neslystančius batus, apsauginį šalną ar klausos apsaugos priemones, sumažėja pavojus susižaloti.

- c) Apsisaugokite nuo atsitiktinio įrankio įsijungimo. Prieš jungdami prie maitinimo šaltinio ir (ar) sudėtinės baterijos, prieš įrankį keldami arba nešdami įsitikinkite, kad jungiklis yra išjungimo padėtyje. Nešant elektrinius įrankius uždejus pirštą ant jungiklio arba netyčia įjungiant elektrinį įrankį su įjungtu jungikliu, gali įvykti nelaimingas atsitikimas.
  - d) Prieš įjungdami elektrinį įrankį, patraukite į šalį visus reguliavimo raktus ir veržliarakčius. Elektrinio įrankio sukamojoje dalyje likus raktui ar veržliarakčiui galima susižaloti.
  - e) Nesistenkite pasiekti pernelyg toli. Visada stovėkite tvirtai ir išlaikykite pusiausvyrą. Tuomet geriau suvaldysite elektrinį įrankį netikėtose situacijose.
  - f) Dėvėkite tinkamus drabužius. Nedėvėkite laisvų drabužių ir nenešiotkite laisvai kabančių papuošalų. Saugokite savo plaukus ir drabužius nuo judamų dalių. Laisvus drabužius, papuošalus ar ilgus plaukus gali įtraukti besisukančios dalys.
  - g) Jei yra įtaisai, skirti dulkių išsiurbimo ir surinkimo įtaisams prijungti, tinkamai juos prijunkite ir naudokite. Naudojant dulkių surinkimo įrenginius, gali sumažėti su dulkelėmis susijusių pavojų.
  - h) Dažnai naudodami įrankius pernelyg savimi nepasitikėkite ir neparaskite budrumo, kad paisytumėte saugaus įrankio naudojimo taisyklių. Užtenka akimirkos, kad dėl neatsargaus veiksmo sunkiai susižalotumėte.
- ### 4) ELEKTRINIŲ ĮRANKIŲ NAUDOJIMAS IR PRIEŽIŪRA
- a) Elektrinio įrankio pėrnelyg nespauskite. Naudokite jūsų darbiui tinkamą elektrinį įrankį. Veikdamas numatytoju greičiu, tinkamas elektrinis įrankis darba atlieka veiksmingiau ir saugiau.
  - b) Nenaudokite elektrinio įrankio, jeigu juo negalima įjungti ar išjungti jungikliu. Bet koks elektrinis įrankis, kurio jungiklis neveikia, yra pavojingas, tad jį būtina sutaisyti.
  - c) Prieš reguliuodami elektrinį įrankį, keisdami jo priedus arba padėdami jį į laikymo vietą, atjunkite kištuką nuo maitinimo šaltinio ir (ar) sudėtinę bateriją nuo įrankio. Šios prevencinės saugumo priemonės apsaugos jus nuo netyčinio elektrinio įrankio įjungimo.
  - d) Nenaudojamus elektrinius įrankius laikykite vaikams neprieinamoje vietoje. Su elektriniu įrankiu neleiskite dirbti asmenims, nesusipažinusiems su įrankiu arba šia instrukcija. Neapmokytų naudotojų naudojami elektriniai įrankiai kelia pavojų.
  - e) Tinkamai prižiūrėkite elektrinius įrankius ir jų priedus. Tikrinkite, ar sukamosios dalys išcentruotos ir nestringa, ar nėra sulūžusių dalių ir kitų sąlygų, galinčių turėti įtakos elektrinio įrankio veikimui. Jei elektrinis įrankis sugedęs, prieš naudodami jį suremontuokite. Daugelio nelaimingų atsitikimų priežastis yra netinkama elektrinių įrankių priežiūra.
  - f) Pjovimo įrenginiai turi būti aštrūs ir švarūs. Tinkamai prižiūrimi pjovimo įrankiai aštriais ašmenimis rečiau stringa ir lengviau valdomi.



- g) Elektrinį įrankį, priedus, antgalius ir kitas dalis naudokite pagal šią instrukciją, atsižvelgdami į darbo sąlygas ir atliekamą darbą. Naudojant elektrinius įrankius ne pagal paskirtį gali susidaryti pavojingos situacijos.
  - h) Įrankių rankenos ir sugriebimo paviršiai turi būti sausi, svarūs ir neištepti alyva ar tepalu. Dėl slidžių rankenų ir sugriebimo paviršių įrankį sunku saugiai valdyti ir jis gali išsprūsti netikėtomis aplinkybėmis.
- 5) AKUMULIATORINIŲ ĮRANKIŲ NAUDOJIMAS IR PRIEŽIŪRA**
- a) Kraukite naudodami tik gamintojo nurodytą įkroviklį. Naudojant įkroviklį, skirtą kito tipo sudėinei baterijai, gali kilti gaisro pavojus.
  - b) Elektrinius įrankius naudokite tik su jiems skirtomis sudėtinėmis baterijomis. Naudojant kitokias sudėtines baterijas gali kilti sužalojimų ir gaisro pavojus.
  - c) Nenaudojama sudėtinė baterija turi būti laikoma atokiau nuo metalinių daiktų, tokių kaip sąvaržėlės, monetos, raktai, vinys, varžtai ar kiti smulkūs metaliniai daiktai, galintys sujungti abu baterijos gnybtus. Įvykus trumpajam jungimui tarp baterijos gnybtų galima nusideginti ar gali kilti gaisras.
  - d) Dėl netinkamų sąlygų iš baterijos gali ištekti skystis – nelieskite jo. Skysčiai atsitiktinai patekus ant odos, nedelsiant nuplaukite vandeniu. Jeigu skystis pateko į akis, kreipkitės į gydytojus. Iš baterijos ištekėjęs skystis gali dirginti arba nudeginti.
  - e) Nenaudokite pažeistos ar modifikuotos sudėtinės baterijos ar įrankio. Tokios netinkamos sudėtinės baterijos gali kelti gaisro, sprogo ar sužalojimo pavojų.
  - f) Sudėtinės baterijos ar įrankio negalima deginti ar kaitinti. Bateriją deginant ar įkaitinus virš 130 °C ji gali sprogti.
  - g) Laikykitės įrankio ar sudėtinės baterijos įkrovimo instrukcijų ir įkrovimą vykdykite nurodytame temperatūrų diapazone. Priešingu atveju galite sugadinti sudėtinę bateriją ar net sukelti gaisrą.
- 6) TECHNINĖ PRIEŽIŪRA**
- a) Jūsų elektrinio įrankio techninės priežiūros darbus gali vykdyti tik kvalifikuotas remonto meistras, naudodamas tik identiškas atsargines dalis. Tokiu būdu elektrinis įrankis išliks saugus.
  - b) Niekada neremontuokite sugadintos sudėtinės baterijos. Tokias baterijas remontuoti gali tik gamintojas arba įgalioto techninės priežiūros centro specialistai.

## DARBO SU BELAIDŽIAIS PLAKTUKINIAIS GRĘŽTUVAIS SAUGOS INSTRUKCIJOS

- Užsidėti klausos apsaugos priemonės. Dėl triukšmo galite pažeisti klausą.
- Naudokite pagalbinę rankeną (-as), jei ji yra įrankyje. Nesuvaldžius įrankio galima susižaloti.
- Jei vykdate darbus, kurių metu darbo įrankis gali kliudyti paslėptus elektros laidus, tuomet elektrinį įrankį laikykite už izoliuotų rankenų (pažeidus laidą, kuriuo teka elektros srovė, metalinėse elektrinio įrankio dalyse gali atsirasti įtampa ir galite patirti elektros smūgį).

## SAUGOS INSTRUKCIJOS NAUDOJANT ILGUS GRĄŽŲ ANTGALIUS SU PERFORATORIAIS

- Visada pradėkite gręžti mažu greičiu ir prispaudę grąžtą prie ruošinio. Grąžtui laisvai sukantis didesniu greičiu ir neliečiant ruošinio, jis gali sulinkti ir sužaloti.
- Grąžtą spauskite tik tiesiai ir nespauskite per stipriai. Grąžtas gali sulinkti ir sulūžti arba galite nesuvaldyti gręžtuvo ir susižaloti.

## BENDRIEJI NURODYMAI

- Draudžiama pjauti medžiagas, kurių sudėtyje yra asbesto (asbestos gali sukelti vėžį).
- Šį įrankį gali naudoti tik asmenys nuo 16 metų amžiaus.
- Kai kurių medžiagų, kaip antai dažų, kurių sudėtyje yra švino, kai kurių medžių rūšių medienos, mineralų ir metalo dulkės gali būti kenksmingos (sąlytis su šiomis dulėmis arba įkvėptos dulės gali sukelti operatoriui arba šalia esantiems žmonėms alergines reakcijas ir (ar) kvėpavimo sistemos susirgimus); mūvėkite apsaugos nuo dulkių kaukę ir dirbdami naudokite dulkių ištraukimo įrenginį, jei jį galima prijungti.
- Kai kurių rūšių dulės priskiriamos kancerogeninėms (pvz., ažuolo arba buko medienos dulės), ypač susimaišiusios su medienos taurinimi naudojamais priedais; mūvėkite apsaugos nuo dulkių kaukę ir dirbdami naudokite dulkių ištraukimo įrenginį, jei jį galima prijungti.
- Vadovaukitės šalyje taikomų direktyvų reikalavimais, skirtais medžiagoms, su kuriomis norite dirbti.

## PRIEŠ DARBĄ

- Saugokite, kad nesugadintumėte įrankio į sraigtus, vinis ir kitas kliūtis ruošinyje; prieš pradėdami darbą juos pašalinkite.
- Ruošinį saugiai įtvirtinkite (spaustuvuose suspaustas ruošinys yra įtvirtintas geriau, nei laikomas ranka).
- Su tinkamais ieškikliais patikrinkite, ar darbo zonoje nėra paslėptų komunalinių tinklų vamzdynų, arba dėl pagalbos kreipkitės į vietinius komunalinių paslaugų tiekėjus (pažeidus elektros laidą gali kilti gaisro ar elektros smūgio pavojus; pažeidus dujotiekio vamzdį, gali įvykti sprogoimas; pažeidus vandentiekio vamzdį, galima sugadinti turtą arba gali kilti elektros smūgio pavojus).
- Sukimo krypties selektorių B ② nustatykite į viduriniąją (užrakinimo) padėtį, prieš įrankį reguliuodami ar keisdami antgalius, o taip pat prieš jį nešdami ar padėdami į laikymo vietą.
- Užstrigus grąžtui (ypač gręžiant metalą) dėl įrankio sukimo momento atsiranda reakcijos jėgos, todėl dirbdami visada įrankį laikykite už pagalbinės rankenos J ir tvirtai stovėkite.

## PRIEDAI

- SKIL gali garantuoti nepriekaištingą įrankio veikimą tik tuo atveju, jei naudojama originali papildoma įranga ir priedai.
- Leidžiama naudoti tik tokius priedus, kurių maksimalus leistinas sukčių skaičius yra ne mažesnis, nei maksimalus jūsų įrankio sukčių skaičius.

## PO DARBO

- Prieš padėdami įrankį jį išjunkite ir palaukite, kol visos besisukančios dalys visiškai sustos.

## BATERIJOS

- Pridedama baterija yra iš dalies įkrauta (kad baterija veiktų visa galia, prieš pirmą kartą naudodami savo elektrinį įrankį iki galo ją įkraukite, įstatę į baterijų įkroviklį).
- Su šiuo įrankiu naudokite tik šias baterijas ir įkroviklius:

- SKIL baterija: BR1\*31\*\*\*\*
- SKIL įkroviklis: CR1\*31\*\*\*\*

- Nenaudokite pažeistų baterijų – jas būtina nedelsiant pakeisti.
- Baterijų neardykite.
- Nepalikite įrankio ir baterijos lietuje.
- Leistina aplinkos temperatūra (įrankio, įkroviklio, baterijos):
  - įkrovimo metu 4...40 °C
  - darbo metu –20...+50 °C
  - laikymo metu –20...+50 °C

### **SIMBOLIŲ ANT ĮRANKIO IR BATERIJOS PAAIŠKINIMAS**

- ③ Prieš naudojant įrankį perskaityti instrukcijų vadovą.
- ④ Įmestos į ugnį baterijos gali sprogti; draudžiama baterijas deginti.
- ⑤ Laikyti įrankį / įkroviklį / bateriją vietoje, kurioje temperatūra neviršija 50 °C.
- ⑥ Elektrinius įrankius ir baterijas draudžiama išmesti kartu su buitinėmis atliekomis.

## **NAUDOJIMAS**

- Baterijos įkrovimas
  - ! **Perskaitykite saugos įspėjimus ir instrukcijas, pateiktas kartu su įkrovikliu.**
- Baterijos išėmimas ir įstatymas ②
- Baterijos įkrovos indikatorius ⑦:
  - spustelėkite baterijos įkrovos indikatoriaus mygtuką G, jei norite pamatyti baterijos įkrovos lygį ⑦a.
  - ! **Jei paspaudus mygtuką G ⑦b pradeda mirksėti mažiausios baterijos įkrovos indikatorius, tai reiškia, kad baterija išsikrovusi.**
  - ! **Jei paspaudus mygtuką G ⑦c pradeda mirksėti 2 baterijos įkrovos indikatoriai, tai reiškia, kad baterijos temperatūra nėra leistiname darbo diapazone.**
- Baterijos apsauga
  - Įrankis staiga išsijungia arba jo nepavyksta įjungti, jeigu:
    - **apkrova per didelė** --> pašalinkite apkrovą ir vėl įjunkite įrankį;
    - **baterijos temperatūra nėra leistiname darbo diapazone nuo –20 °C iki +50 °C** --> paspaudus mygtuką G ⑦c pradeda mirksėti 2 baterijos įkrovos indikatoriai; palaukite, kol baterijos temperatūra grįš į leistiną darbo diapazoną;
    - **baterija beveik išsikrovusi (apsauga nuo visiško išsikrovimo)** --> paspaudus mygtuką G rodomas žemas baterijos lygis arba mirksi žemo įkrovos lygio indikatorius ⑦b; įkraukite bateriją.
  - ! **Nelaikykite nuspaudę pagrindinio jungiklio, jei įrankis išsijungė automatiškai, nes galite sugadinti bateriją.**
- Sukimo krypties keitimas ⑧:
  - kol šis selektorius neužfiksuotas kraštinėje kairėje arba dešinėje padėtyje, B ② jungiklio negalima įjungti.
  - ! **Sukimo kryptį keiskite tik įrankiui visiškai sustojus.**
- Antgalių įstatymas ir nuėmimas ⑨a ir ⑨b:
  - ! **Prieš įstatydami SDS+ priedą jį nuvalykite ir šiek tiek sutepkite.**
  - sukdami ir stumdami priedą, kol užsifiksuos, įstatykite jį į SDS+ kumštelinį griebtuvą; priedas užsifiksuoja automatiškai;
  - patraukite priedą ir patikrinkite, ar jis tinkamai

užsifiksavo;

- priedą nuimkite traukdami atgal fiksavimo movą D.
- ! **SDS+ priedas turi judėti laisvai, todėl sukdamasis laisvąja eiga jis gali šiek tiek klibėti; vis dėlto, gręžimo metu priedas automatiškai išcentruojamas, todėl tai neturi jokios įtakos gręžiamos skylės tikslumui.**
- ! **Nenaudokite antgalių su pažeistu kotu.**
- Bendras jungiklis įrankiui įjungti ir išjungti ⑩ bei greičiui reguliuoti ⑪:
  - greitis nuo nulinio iki maksimalaus reguliuojamas tolygiai, stipriau ar silpniau spaudžiant jungiklį B.
- Darbo režimo pasirinkimas ⑫:
  - perjungiklį C nustatykite į pageidaujimą darbo režimą, kol išgirsite spragtelėjimą:
    - 1 = įprastas gręžimas ir varžtų sukimas
    - 2 = smūginis gręžimas
    - 3 = kalimas besisukančiu kalnu
    - 4 = kalimas fiksuotu kalnu
  - ! **Darbo režimą galima pasirinkti tik tuomet, kai išjungtas įrankis ir išimta baterija.**
  - plaktukinis mechanizmas įsijungia lengvai spaudžiant įrankį, kai grąžtas liečia ruošinį;
  - kad plaktukinis mechanizmas pasiektų didžiausią smūgių galią, turi praeiti šiek tiek laiko;
  - geriausia gręžimo plaktukiniu režimu rezultatą galima pasiekti tik lengvai spaudžiant įrankį; stipresnis spaudimas gręžimo rezultatų nepagerins.
- Kalimas fiksuotu kalnu ⑬:
  - ! **Išjunkite įrankį ir išimkite bateriją.**
  - pasirinkite "sukamojo" kalimo režimą;
  - kaltą nustatykite į norimą padėtį;
  - pasirinkite "fiksuoto" kalimo režimą.
- LED lemputė ⑭:
  - LED lemputė E užsidega automatiškai, įjungus jungiklį B.
  - ! **Jei LED darbinė lemputė pradeda mirksėti, tai reiškia, kad suveikė baterijos apsauga (žr. pirmiau).**
- Įrankio laikymas ir valdymas ⑮:
  - ! **Dirbdami visada laikykite įrankį už pilkos spalvos sugriebimo vietų.**
  - **visada laikykite už pagalbinės rankenos J** (ją galima reguliuoti, kaip parodyta) ⑮;
  - neuždenkite ventiliacinių angų F ②;
  - nespauskite įrankio pernelyg stipriai; tegul jis dirba už jus.
- Gręžimo gylio nustatymas ⑰

## **NAUDOJIMO PATARIMAI**

- Naudokite tinkamus darbai antgalius ⑱.
- ! **Naudokite tik aštirus antgalius.**
- Medienai, metalui ir plastikui gręžti ne SDS gręžimo antgaliais naudokite adapterį (nėra standartiniame komplekte) ⑲.
- ! **Prieš įstatydami SDS+ priedą jį nuvalykite ir šiek tiek sutepkite.**
- fiksavimo movą D patraukite atgal ir adapterį į SDS+ griebtuvą įstatykite jį sukdamai bei stumdami, kol užsifiksuos; adapteris užsifiksuoja automatiškai;
- patraukdami adapterį patikrinkite, ar jis tinkamai užsifiksavo;

- перјунгкиј С нустаткитe ј нормалaус грeжимo пaдeтј (тик кaј јрaнкис ишјунгтaс и јунгкилс узфисуoтaс).
- Јуoдјуј металу грeжимaс:
  - јeи рeикa грeжити дидeлиo скeрsmeнс скылe, приeш тaи ишгрeжитe мaжa скылутe;
  - рeткaрчaиaс пaтeпкитe грaжтa алувa.
- Приeш сукaнт срaигтa ј мeдиниo руoшиниo пaкрaштј, вису пирмa рeикa ишгрeжити скылутe, кaд мeдиeнa нeскилтј.
- Мeджиo грeжимaс бe aтпaишј ⑳
- Муро грeжимaс бe дулкиј ㉑
- Лубу грeжимaс бe дулкиј ㉒
- Плытeлију грeжимaс бe јскилмј ㉓
- Даугиaу информaцијoс рaситe свeтaинeјe www.skil.com.

## TECHNINĖ PRIEŽIŪRA IR REMONTAS

- Šis įrankis neskirtas profesionaliam naudojimui.
- Įrankis visada turi būti švarus (ypač ventiliacinės angos F②).
- ! **Prieš valydami išimkite iš įrankio bateriją.**
- Jeigu įrankis, nepaisant gamykloje atliekamo kruopštaus gamybos ir kontrolės proceso, vis dėlto sugestų, jo remontas turi būti atliekamas įgaliotose SKIL elektrinių įrankių remonto dirbtuvėse:
  - neišardytą įrankį kartu su pirkimo čekiu siųskite įrankio pardavėjui arba į artimiausią SKIL įmonės įgaliotą techninės priežiūros centrą (adresus bei atsarginių dalių brėžinius rasite [www.skil.com](http://www.skil.com)).
- Turėkite omeny, kad garantija netaikoma, jei gedimas atsiranda dėl perkrovos ar netinkamo naudojimo (dėl SKIL garantijos sąlygų žr. [www.skil.com](http://www.skil.com) arba kreipkitės į pardavėją).

## APLINKOSAUGA

- **Nemeskite elektrinių įrankių, baterijų, priedų ir pakuočių į buitinių atliekų konteinerius** (galioja tik ES valstybėms):
  - pagal ES Direktyvą 2012/19/EB dėl naudotų elektrinių ir elektroninių prietaisų atliekų utilizavimo ir pagal galiojančius nacionalinius įstatymus netinkami naudoti elektriniai įrankiai turi būti surenkami atskirai ir pristatyti į tokių atliekų surinkimo vietas;
  - simbolis ㉔ primins apie tai, kai tokią įrangą reikės išmesti.
- ! **Prieš išmesdami bateriją izoliuokite jos kontaktus, kad neįvyktų trumpasis jungimas.**

## TRIUŠMAS / VIBRACIJA

- Išmatavus pagal EN62841 standartą, šio įrankio garso slėgio lygis yra 93,4 dB(A), garso galios lygis yra 104,4 dB(A) (neapibrėžtis K = 3 dB), o vibracija\* (triaisio vektoriaus suma; neapibrėžtis K = 1,5 m/s<sup>2</sup>).
  - \* gręžiant betoną plaktukiniu režimu 16,2 m/s<sup>2</sup>
  - \* kalant kaltu 12,8 m/s<sup>2</sup>
- Vibracijos sklaidos lygis išmatuotas pagal standarte EN 62841 išdėstytus standartizuoto bandymo reikalavimus; ši vertė gali būti naudojama vienam įrankiui palyginti su kitu bei išankstiniam vibracijos poveikiui įvertinti, kai įrankis naudojamas paminėtais būdais:
  - naudojant įrankį kitokiais būdais arba su kitokiais bei netinkamai prižiūrimais priedais, gali ženkliai išaugti poveikio lygis;
  - kai įrankis išjungtas arba yra įjungtas, tačiau jau

nedirbama, gali ženkliai sumažėti poveikio lygis.

**! Apsisaugokite nuo vibracijos poveikio prižiūradami įrankį ir jo priedus, laikydamis rankas šiltai ir derindami darbo ciklus su pertraukėlėmis.**

MK

## Безжичен ротирачки чекан без четки

3851

### УПАТСТВО

- Овој алат е наменет за ударно дупчење во бетон, цигла и камен, како и за дупчење во дрво, метал, керамика и пластика; алатите со електронска контрола на брзината и лева/десна ротација се исто така соодветни за навртување на штрафови и сечење на навои
- Системот за ударно дупчење кој го има овој алат, овозможува пресконнување на традиционалното, макотрпно дупчење во бетон
- Овој алат поддржува употреба на сите стандардни SDS+ прибори
- Овој алат не е наменет за професионална употреба
- Контакттирајте го продавачот ако недостасуваат делови или истите се оштетени
- **Внимателно прочитајте го упатството за работа пред употреба и зачувајте го за во иднина ③**
- **Обрнете особено внимание на безбедносните упатства и предупредувања; непридржувањето до овие упатства може да доведе до сериозна повреда**

### ТЕХНИЧКИ ПОДАТОЦИ ①

#### ЕЛЕМЕНТИ НА АЛАТОТ ②

- A** Селектор на насоката на ротација (напред/ централно блокирање/назад)
- B** Прекинувач за вклучување/исклучување и контрола на брзината
- C** Прекинувач за избор на режимот на работата
- D** Глава за стегање
- E** ЛЕД-светло
- F** Отвори за вентилација
- G** Копче за индикаторот за нивото на батеријата
- H** Граничник за длабочина
- J** Дополнителна рачка

### БЕЗБЕДНОСТ

#### ОПШТИ ПРЕДУПРЕДУВАЊА ЗА БЕЗБЕДНОСТ НА ЕЛЕКТРИЧНИТЕ АЛАТИ

**⚠ ПРЕДУПРЕДУВАЊЕ** Прочитајте ги сите безбедносни предупредувања, упатства, слики и спецификации што се обезбедуваат со овој алат. Непочитувањето на сите упатства подолу може да доведе до електричен удар, пожар и/или сериозна повреда.

**Чувајте ги сите предупредувања и упатства за понатамошно упатување.**

Поимот „електричен алат“, кој се користи во предупредувањата, се однесува на вашиот електричен алат (со приклучен кабел) или на електричен алат со погон на батерии (без приклучен кабел).

## 1) БЕЗБЕДНОСТ НА РАБОТНОТО МЕСТО

- a) **Одржувајте го работното место чисто и добро осветлено.** Неуреден или темен работен простор може да предизвика незгоди.
- b) **Немојте да работите со електрични алати во средини во кои има опасност од експлозија, како на пример во кои има запалливи течности, гасови или прашина.** Електричните алати создаваат искри коишто може да запалат прашина или испарувања.
- c) **Држете ги децата и другите лица подалеку додена ранувате со електричен алат.** Може да изгубите контрола ако нешто ви го одзема вниманието.

## 2) ЕЛЕКТРИЧНА СИГУРНОСТ

- a) **Приклучоците за електричниот алат мораат да одговараат на штекерот. Никогаш на никаков начин не го менувајте приклучокот. Не користете никакви адаптери за приклучоци со (заземјени) електрични алати.** Немодифицираните приклучоци и соодветните штекери ќе ја намалат опасноста од струен удар.
  - b) **Избегнувајте допир на телото со заземјени површини, како што се цевки, радијатори, шпорети и фрижидери.** Постои зголемена опасност од струен удар, доколку вашето тело е заземјено.
  - c) **Не ги изложувајте електричните алати на дожд или влага.** Продирањето на вода во електричниот уред ќе ја зголеми опасноста од струен удар.
  - d) **Немојте да го злоупотребувате кабелот за напојување. Никогаш не го користете кабелот за напојување за носење, влечење или исклучување на електричниот алат.** Чувајте го кабелот за напојување подалеку од топлина, масло, остри ивици или подвижни делови. Оштетените или заплетканите кабли за напојување ја зголемуваат опасноста од струен удар.
  - e) **Кога го употребувате електричниот алат надвор, користете продолжен кабел кој е соодветен за употреба на отворен простор.** Користењето на кабел соодветен за работа на отворен простор ја намалува опасноста од струен удар.
  - f) **Доколку не може да се избегне работа со електричниот алат во влажна средина, користете заштитен уред што работи на резидуална струја (RCD).** Употребата на RCD ја намалува опасноста од струен удар.
- ## 3) ЛИЧНА ЗАШТИТА
- a) **Бидете внимателни, внимавајте што правите и постапувајте разумно додена работите со електричниот алат. Никогаш не работете со електричен алат ако сте уморни или под влијание на дрога, алкохол или лекови.** Момент на невнимание при работење со електрични алати може да доведе до сериозна лична повреда.
  - b) **Носете лична заштитна опрема. Секогаш носете заштитни очила.** Носењето на заштитна опрема, како што е маска за прашина, безбедносни обувки

кои не се лизгаат, заштитен шлем или штитници за уши, употребени во соодветни услови, ја намалуваат опасноста од лични повреди.

- c) **Спречете случајно вклучување. Осигурете се дека прекинувачот е на позицијата off (исклучено) пред приклучувањето на изворот на напојување и/или батеријата, подигнувањето или носењето на алатот.** Носењето на електричниот алат со вашиот прст на прекинувачот или вклучување на електрични алати со прекинувачот поставен на позиција on (приклучено) доведува до несреќи.
  - d) **Пред вклучување на електричниот алат отстранете ги сите клучеви за подесување или алати за навртување.** Алат или клуч што е оставен прикачен на ротациониот дел на уредот, може да доведе до лична повреда.
  - e) **Не посегнувајте преку одредената граница. Цело време одржувајте правилен став и рамнотежа.** На тој начин можете подобро да го контролирате електричниот алат во неочекувани ситуации.
  - f) **Носете соодветна облека. Не носете лелеава облека или накит.** Чувајте ги косата и облеката подалеку од подвижните делови. Лелеавата облека, накитот или долгата коса може да се зафатат во подвижните делови.
  - g) **Доколку се обезбедени уреди за приклучување на апарати за вшмукување и собирање прашина, осигурете се дека тие се правилно приклучени и користени.** Користењето на уреди за собирање прашина може да ги намали опасностите поврзани со прашината.
  - h) **Не дозволувајте искуството стенкато со честата употреба на алатите да ве направи невнимателни и да ги игнорирате безбедносните принципи при нивното користење.** Невнимателната активност може да предизвика сериозна повреда во дел од секунда.
- ## 4) УПОТРЕБА НА ЕЛЕКТРИЧНИ АЛАТИ И ГРИЖА ЗА НИВ
- a) **Не преоптоварувајте го електричниот алат.** Користете ја правилната електрична алатна наменета за вашата работа. Со соодветниот електричен алат ќе ја завршите работата подобро и побезбедно во однос на тоа за што е наменет.
  - b) **Не користете го електричниот алат ако прекинувачот не може правилно да се вклучи и исклучи.** Секој електричен алат кој не може да се контролира со помош на приклучок е опасен и мора да се поправи.
  - c) **Исклучете го електричниот алат од струја и/или извадете го комплетот со батерии од електричниот алат, ако се одделува, пред да правите некакви прилагодувања, менувате дополнителна опрема или да ги складираат електричните алати.** Со овие превентивни безбедносни мерки се намалува опасноста од случајно вклучување на електричниот алат.
  - d) **Складирајте ги електричните алати во мирување надвор од дофатот на деца и не им допуштајте работа со уредот на лица кои не се запознаени со него или кои го немаат прочитано ова упатство.** Електричните алати се опасни доколку со

нив работат нестручни лица.

- e) **Одржувајте ги електричните алати и дополнителната опрема. Проверете дали има изместување или допирање на подвижните делови, дали некои делови се скршени или се во некоја друга состојба што влијае врз работата на електричниот алат.** Ако е оштетен, однесете го алатот на поправка пред да го користите. Многу несреќи се случуваат заради неодржуван електричен алат.
- f) **Алатите за сечење одржувајте ги остри и чисти.** Внимателно одржуваните алати за сечење со остри ивици помалку ќе се заглавуваат и полесно се контролираат.
- g) **Електричниот алат, дополнителната опрема, работните алати итн., треба да ги користите според овие упатства, земајќи ги во предвид работните услови и работата која треба да се заврши.** Употребата на електричниот алат за работи што се поинакви од неговата намена може да доведе до опасна ситуација.
- h) **Одржувајте ги рачките и површините за фаќање суви, чисти и без масло и маст на нив.** Рачките и површините за држење што се лизгаат не овозможуваат безбедно ракување и контрола на алатот во неочекувани ситуации.
- 5) **КОРИСТЕЊЕ НА АЛАТ НА БАТЕРИИ И ГРИЖА ЗА НЕГО**
  - a) **Вршете полнење само со полначот што е пропишан од страна на производителот.** За полначот кој е соодветен за еден вид на батерии, постои опасност од пожар, доколку се употребува со други батерии.
  - b) **Користете ги електричните алати само со посебно назначени батерии.** Користењето на било кои други батерии може да доведе до опасност од повреда и пожар.
  - c) **Кога батериите не се користат, држете ги настрана од метални предмети како што се спајалници за хартија, парички, клучеви, клинчи, шрафови или други, мали метални предмети кои можат да спојат еден пол со друг.** Краткиот спој на половите на батериите може да предизвика изгореници или пожар.
  - d) **Во услови на злоупотреба може да дојде до исфрлање на течност од батеријата; избегнувајте контакт. Ако дојде до случаен контакт, измијте го местото со вода. Ако течноста дојде во контакт со очите, дополнително побарајте и лекарска помош.** Течноста која истекува од батеријата може да предизвика иритација или изгореници.
  - e) **Не употребувајте комплет со батерии или алат којшто е оштетен или изменет.** Оштетените или изменетите батерии можат да реагираат непредвидливо и да предизвикаат пожар, експлозија или опасност од повреда.
  - f) **Не изложувајте го комплетот со батерии или алатот на оган или висока температура.** Изложувањето на оган или температура над 130°C може да предизвика експлозија.
  - g) **Следете ги сите упатства за полнење и не полнете го комплетот со батерии или алатот надвор од температурниот опсег наведен**

во инструкциите. Неправилното полнење или полнењето на температура што е надвор од наведениот опсег, може да ја оштети батеријата и да ја зголеми опасноста од пожар.

- 6) **СЕРВИСИРАЊЕ**
- a) **Електричниот алат сервисирајте го нај квалификувано лице кое користи само идентични резервни делови.** Со ова се обезбедува безбедно одржување на електричниот алат.
- b) **Никогаш не поправајте го оштетените комплекти со батерии.** Поправката на комплетите со батерии треба да ја врши само производителот или некој овластен сервис.

## БЕЗБЕДНОСНИ УПАТСТВА ЗА БЕЗЖИЧЕН ЧЕКАН

- **Носете штитници за уши.** Изложеноста на бучава може да предизвика губење на слухот
- **Користете ја/ги страничната, -ите дршка, ако се испорачани заедно со машината.** Губење на контрола може да предизвика лична повреда
- **Држете го алатот за изолираните површини за фаќање нога извршувате работа при која што дополнителната опрема за сечење може да дојде во контакт со скриените жица (ако дополнителната опрема за сечење дојде во контакт со жица под напон може да ги електрифицира металните делови на алатот и да предизвика електричен удар на операторот)**

## БЕЗБЕДНОСНИ ИНСТРУКЦИИ ЗА УПОТРЕБА НА ДОЛГИ СВРДЛА СО УДАРНИ ДУПЧАЛНИ

- **Секогаш започнете со дупчење при мала брзина и со делот за дупчење во контакт со работното парче.** При повисоки брзини, делот може да се свитка ако се дозволи да ротира слободно без контакт со работното парче, што може да резултира со лична повреда.
- **Нанесете притисок само во директна линија со делот и не применувајте прекумерен притисок.** Деловите можат да се свиткаат, предизвикувајќи оштетување или губење на контрола, што може да резултира со лична повреда.

## ОПШТИ

- **Не обработувајте никаков материјал кој содржи азбест (азбестот важи за предизвикувач на рак)**
- Овој алат не треба да го користат лица под 16 години
- Прашината од материјали како боја која содржи олово, некои видови дрво, минерали и метали, може да биде штетна за здравјето (контактот со прашина или нејзиното вдишување може да предизвика алергиски реакции и/или болести на дишните органи за оној кој работи со алатот или луѓето во близина); **носете масна за прашина и работете со правосмукалки доколку можете да ги поврзете**
- Некои видови на прашина се канцерогени (како на пример прашина од даб или бука), особено заедно со адитиви за одржување на дрвото; **носете масна за прашина и работете со правосмукалки доколку можете да ги поврзете**
- Следете ги процедурите на вашата земја за прашина која се јавува како резултат од материјалите со кои работите

## ПРЕД УПОТРЕБА

- Избегнувајте оштетувања од штрафови, шајки и други предмети во вашето работно парче; тргнете ги пред да почнете со работа
- **Зацврстете го работното парче** (работно парче кое е зацврстено со стеги или во менгема е побезбедно отколку да го држите со раце)
- **Користете соодветни детектори за наоѓање на скриени инсталации или повикајте соодветна компанија за помош** (контактот со електричните линии може да доведе до струен удар; оштетувањата во гасоводна цевка може да резултира со експлозија; пенетрирање во водоводна инсталација може да доведе до оштета на предмети или електричен удар)
- Уверете се дека селекторот на насоката на ротација В ② се наоѓа во средна позиција (заклучено) пред да почнете да ја подесувате или менувате дополнителната опрема или кога го носите и складирате алатот.
- Внимавајте на создадените сили кај алатот, за време на блокадата (особено при дупчење метал); **алатот секогаш да се држи за страничната дршка Ј** и да се завземе сигурен став

#### ДОПОЛНИТЕЛНА ОПРЕМА

- SKIL може да признае гаранција само доколку е користен оригинален прибор
- Користете само прибор чија дозволена брзина е во најмала рака еднаква на најголемата брзина при празен од на електричниот алат

#### ПО УПОТРЕБА

- Кога ќе ја завршите работата со алатот, исклучете го моторот и проверете дали сите подвижни делови се застанати

#### БАТЕРИИ

- **Обезбедената батерија е делумно наполнета** (за да се обезбеди целосен капацитет на батеријата, целосно наполнете ја батеријата во полначот на батеријата, пред за првпат да го употребите вашиот електричен алат).
- **Користете ги исклучиво следниве батерии и полначи со овој алат**
  - Батерија SKIL: BR1\*31\*\*\*\*
  - Полнач SKIL: CR1\*31\*\*\*\*
- Оштетената батерија не треба понатаму да се користи, туку веднаш да се замени
- Не расклопувајте ја батеријата
- Никогаш не изложувајте ги на дожд алатот/батеријата
- Дозволена температура на околината (алатка/полнач/батерија):
  - при полнење 4...40°C
  - при работа -20...+50°C
  - при складирање -20...+50°C

#### ОБЈАСНУВАЊЕ НА СИМБОЛИТЕ ЗА АЛАТОТ/БАТЕРИЈАТА

- ③ Пред употреба прочитајте го прирачникот за употреба
- ④ Батериите може да експлодираат ако се изложат на оган, па затоа никако не палете ја батеријата
- ⑤ Секогаш чувајте ги алатот/полначот/батеријата на места со температура пониска од 50°C
- ⑥ Не фрлајте ги електричните алати и батериите заедно со домашниот отпад

## УПОТРЕБА

- Полнење на батеријата
  - ! **прочитајте ги безбедносните предупредувања и упатствата дадени со полначот**
- Вадење/ставање на батеријата ②
- Индикатор за нивото на батеријата ⑦
  - притиснете го копчето G за индикаторот за нивото на батеријата, за да се прикаже моменталното ниво на батеријата ⑦а
  - ! **ако по притиснање на копчето G ⑦b индикаторот за најниско ниво на батеријата почне да трепка, тогаш батеријата е празна**
  - ! **кога ќе почнат да трепкаат 2 нивоа на индикаторот за батеријата по притиснање на копчето G ⑦c, тогаш батеријата не е во рамните на дозволиениот опсег за работна температура**
- Заштита на батеријата
  - Алатот наеднаш се исклучува или не може да се вклучи, кога
    - **оптоварувањето е преголемо** -> отстранете го оптоварувањето и почнете повторно
    - **температурата на батеријата не е во рамните на дозволиениот опсег на работна температура од -20 до +50°C**-> 2 нивоа на индикаторот за ниво на батеријата почнуваат да трепкаат кога ќе го притиснете копчето G ⑦c; почekaјте батеријата да се врати во рамните на дозволиениот опсег на работна температура
    - **батеријата е споро празна (заштита од целосно празнење)** -> на индикаторот за ниво на батеријата ќе се прикаже ниско ниво на батеријата или ќе трепка за ниско ниво на батеријата ⑦b кога ќе притиснете на копчето G; наполнете ја батеријата
    - ! **не продолжувајте да притискате на прекинувачот за вклучување/исклучување откако алатот автоматски ќе се исклучи; батеријата може да се оштети**
- Промена на насоката на ротација ⑧
  - ако не е правилно поставен во лева/десна позиција, прекинувачот В ② нема да може да стартува
  - ! **менувајте ја насоката на ротацијата само кога алатот се наоѓа во целосно мирување**
- Инсталирање и отстранување на деловите ⑨a и ⑨b
  - исчистете ги и намачкајте го SDS+ приборот со масло пред да го вметнете
    - вметнете го приборот во SDS+ главата, вртете ја и туркајте го приборот додека не го затегнете; приборот сам се затегнува автоматски
    - повлечете го приборот за да проверите дали е цврсто стегнат
    - извадете го приборот, така што ќе ја повлечете наназад главата за стегање D
  - ! **SDS+ приборот бара неограничена слобода на движењето, која предизвикува ексцентрична работа со алатот во празен од; за време на работата, таа сама се центрира; ова нема влијание врз прецизноста на дупчењето на отворот**
  - ! **не употребувајте делови со оштетена дршка**
- Прекинувач за вклучување/исклучување ⑩ и контрола на брзината ⑪
  - брзината се контролира на степени од нула до

максимум со применување помалку или повеќе сила врз прекинувачот В

- Подесување на режимот за работа 12
  - подесете го прекинувачот С на саканиот режим додека не кликне во положбата
  - 1 = нормално дупчење/навртување
  - 2 = вибрациско дупчење
  - 3 = длабење со ротирачко длето
  - 4 = длабење со фиксирано длето
- ! **подесувањето на режимот на работа се врши само кога алатот е исклучен и батеријата е извадена**
- механизмот со чекалот се активира со благ притисок на алатот, додека сврделот се наоѓа во допир со материјалот кој се обработува
- треба малку време додека механизмот со чекалот не достигне целосна моќност за удирање
- најдобри резултати за ударно дупчење се постигнуваат само со лесен притисок на алатот; резултатот на дупчењето не се подобрува со посилено притискање на апаратот
- Длабење со фиксирано длето 13
  - ! **исклучете го алатот и извадете ја батеријата**
  - изберете “ротирачки” режим на длетото
  - поставете го длетото во саканата положба
  - изберете “фиксиран” режим на длетото
- ЛЕД-светло 14
  - ЛЕД-светилката Е автоматски се пали кога ќе се активира прекинувачот В
  - ! **кога започнува да трепка ЛЕД-работната светилка, се активира заштитата на батеријата (види погоре)**
- Држење и насочување на алатот 15
  - ! **додека работите, секогаш држете го алатот за местото (местата) кое (кои) се означени со сива боја**
  - алатот секогаш држете го за страничната дршка J (може да се приспособува, како на цртежот) 16
  - отворите за вентилација F 2 држете ги отворени
  - не притискајте премногу со алатот; дозволете тој сам да работи
- Приспособување на длабочината на дупчењето 17

## СОВЕТИ ЗА ПРИМЕНА

- Користете соодветни делови 18
  - ! **употребувајте само остри делови**
- За дупчење со не-SDS бурги во дрво, метал и пластика, користете адаптер (не е вклучен стандардно) 19
  - ! **исчистете го и намачкајте го SDS+ приборот со масло пред да го вметнете**
  - повлечете ја главата за стегање D назазад и вметнете го адаптерот во SDS+ главата, вртете ја и притискајте го адаптерот додека не го стегнете; адаптерот сам се затегнува автоматски во положбата
  - повлечете го адаптерот за да проверите дали е цврсто стегнат
  - подесете го прекинувачот С за нормално дупчење (активирањето се врши само кога алатот е исклучен и приклучокот е заклучен)
- При дупчење во метал
  - најпрво издупчете помала дупка, кога сакате да

издупчите поголема дупка

- бургијата подмачкувајте ја со масло од време на време
- При навртување на штрафовите на краевите на дрвото, прво треба да се издупчи мала дупка за да се избегне разлитување на дрвото
- Дупчење на дрво без разлитување 20
- Дупчење на сидови без прашина 21
- Дупчење на таван без прашина 22
- Дупчење на плочки без лизгање 23
- За повеќе информации видете на [www.skil.com](http://www.skil.com)

## ОДРЖУВАЊЕ/СЕРВИСИРАЊЕ

- Овој алат не е наменет за професионална употреба
- Алатот секогаш да се одржува чист (особено отворите за ладење F 2)
  - ! **отстранете ја батеријата од алатот пред чистење**
- Доколку алатот и покрај внимателното работење и контрола некогаш откаже, поправката мора да ја изврши некој овластен SKIL сервис за електрични алати
  - испратете го алатот нерасклопен заедно со сметкопотврдата, до вашиот продавач или најблискиот овластен SKIL сервис (адресите и сервисниот дијаграм за алатот се наведени на [www.skil.com](http://www.skil.com))
- Имајте предвид дека оштетувањето настанато заради преоптоварување или неправилно ракување со алатот не е опфатено со гаранцијата (видете на [www.skil.com](http://www.skil.com) или прашајте го продавачот за условите на гаранцијата на SKIL)

## ЗАШТИТА НА ЖИВОТНАТА СРЕДИНА

- Не фрлајте ги електричните алати, батериите, дополнителната опрема и амбалажа заедно со домашниот отпад (само за земјите на ЕУ)
  - според Европската Директива 2012/19/ЕЗ за отфрлање на електрична и електронска опрема и нејзина имплементација во согласност со националните закони, електричните алати кои го достигнале крајот на својот животен век мораат да бидат посебно собрани и да бидат вратени во еколошки компатибилен објект за рециклирање
  - симболот 6 ќе ве потсети на тоа, кога ќе дојде време да го отстраните
- ! **пред да се фрли батерија во отпад, заштитите ги нејзините полови со дебела лента за да се спречи краток спој**

## БУЧАВА / ВИБРАЦИИ

- Измерено во согласност со EN62841, нивото на звучен притисок на овој алат е 93,4 dB(A) и нивото на звучна моќност е 104,4 dB(A) (несигурност K = 3 dB), и вибрацијата\* (триакс векторна сума; несигурност K = 1,5 m/c²)
  - \* при ударно дупчење во бетон 16,2 m/c²
  - \* при длабење 12,8 m/c²
- Нивото на емитирање на вибрации е измерено во согласност со стандардизираниот тест даден во EN62841; може да се искористи за да се спореди еден алат со друг, и како првична оценка за изложеноста на вибрации, кога се користи алатот за

споменатите примени

- користењето на алатот за разни примени, или со различна или неправилно чувана дополнителна опрема, може да доведе до значајно зголемување на нивото на изложеност
  - кога алатот е исклучен или кога алатот е вклучен но не врши некаква работа, може да дојде до значително намалување на нивото на изложеност
- ! заштитете се од ефектите на вибрациите преку одржување на алатот и неговата дополнителна опрема, одржување на топлината на вашите раце, и организирање на вашата работа**

AL

## Matrapik pa karbonçina me bateri

3851

### HYRJE

- Ky mjet është bërë për të shpuar në beton, tulla dhe gur, si edhe për të shpuar në dru, metal, qeramikë dhe plastikë; mjetet me kontroll automatik të shpejtësisë dhe rrotullim majtas/djathtas janë po ashtu të përshtatshme për vidhosje dhe prerje me filetim
  - Sistemi i shpimit çekiç në këtë vegël ka rendiment më të mirë se çdo trapan tradicional kur shpini në beton
  - Kjo pajisje është projektuar për përdorim në ndërthurje me të gjithë aksesorët standardë SDS+
  - Ky mjet nuk është bërë për përdorim profesional
  - Kur pjesët mungojnë ose janë të dëmtuara, ju lutemi kontaktoni me shitësin
  - Lexoni me kujdes këtë manual udhëzimesh para përdorimit dhe ruajeni për referencë në të ardhmen
- ③
- Jini të vëmendshëm ndaj udhëzimeve të sigurisë dhe paralajmërimeve; mosrespektimi mund të shkaktojë dëmtime të rënda

### TË DHËNAT TEKNIKE ①

#### ELEMENTET E PAJISJES ②

- A** Përzgjedhësi i drejtimit të rrotullimit (përpara/qendër-kyçje/mbrapa)
- B** Çelësi për ndezje/fikje dhe kontrolli i shpejtësisë
- C** Çelësi për zgjedhjen e mënyrës së funksionimit
- D** Këmisha bllokuese
- E** Drita LED
- F** Të çarat e ajrosjes
- G** Butoni tregues i nivelit të baterisë
- H** Treguesi i thellësisë
- J** Doreza ndihmëse

### SIGURIA

#### PARALAJMËRIME TË PËRGJITHSHME TË SIGURISË PËR PAJISJET ELEKTRIKE

**!** PARALAJMËRIM Lexoni të gjitha paralajmërimet e sigurisë, udhëzimet, ilustrimet dhe specifikimet paraqitura me këtë vegël pune. Mosrespektimi i të gjitha udhëzimeve të renditura më poshtë mund të rezultojë në

goditje elektrike, zjarr dhe/ose dëmtime të rënda.

#### Ruani të gjitha paralajmërimet dhe udhëzimet për referencë në të ardhmen.

Termi "pajisje elektrike" në paralajmërimet e referohet pajisjes elektrike që përdoret nga prizat (me kablo) ose pajisjes elektrike me bateri (me bateri).

#### 1) SIGURIA E ZONËS SË PUNËS

- Mbajeni zonën e punës të pastër dhe të ndriçuar mirë.** Zonat e çrregullta ose të errëta janë një ftesë për aksidente.
- Mos i përdorni pajisjet elektrike në situata me mundësi shpërthimi, si në prani të lëngjeve, gazeve ose pluhurave të djegshëm.** Pajisjet elektrike shkaktojnë shkëndija që mund të ndezin pluhurat ose avujt.
- Mabajni fëmijët dhe personat e tjerë larg gjatë përdorimit të veglës së punës.** Tërheqja e vëmendjes mund të shkaktojë humbjen e kontrollit.

#### 2) SIGURIA ELEKTRIKE

- Spinat e veglës së punës duhet të përputhen me prizën. Mos modifikoni kurrë spinën në asnjë mënyrë. Mos përdorni asnjë spinë përshtatëse me veglat e punës me tokëzim.** Spinat e pamodifikuara dhe prizat përshtatëse do të zvogëlojnë rrezikun e goditjes elektrike.
- Shmangni kontaktin trupor me sipërfaqe të tokëzuara si tuba, radiatorë, soba dhe frigoriferë.** Ka një rrezik më të madh të goditjeve elektrike nëse trupi është i tokëzuar.
- Mos ekspozoni veglat e punës në shi ose në kushte me lagështi.** Uji që hyn në veglën e punës do të rritë rrezikun e goditjes elektrike.
- Mos abuzoni me kordonin. Mos e përdorni kurrë kordonin për transportin, tërheqjen ose heqjen e spinës së veglës së punës. Mbajeni kordonin larg nga nxehtësia, vaji, anët e mprehta ose pjesët që lëvizin.** Kordonët e dëmtuar ose të ngatërruar rritin rrezikun e goditjeve elektrike.
- Kur përdorni një vegël pune në mjedise të jashtme, përdorni një kordon zgjatues të përshtatshëm për përdorim në mjedise të jashtme.** Përdorimi i një kordoni të përshtatshëm për përdorime në mjedise të jashtme zvogëlon rrezikun e goditjes elektrike.
- Nëse është e pashmangshme përdorimi i një mjeti me korrent në një vend me lagështi, përdorni një pajisje mbrojtëse nga rryma (RCD).** Përdorimi i një RCD pakëson rrezikun e goditjeve elektrike.

#### 3) SIGURIA PERSONALE

- Qëndroni në gatishmëri, shikoni se çfarë po bëni dhe përdorni gjykimin kur përdorni një vegël pune. Mos e përdorni një vegël pune kur jeni i lodhur ose nën ndikimin e ilaçeve, alkoolit ose mjekimit.** Një moment humbje e vëmendjes gjatë përdorimit të veglave të punës mund të shkaktojë dëmtime të rënda personale.
- Përdorni pajisje personale mbrojtëse. Mbani gjithmonë pajisje për mbrojtjen e syve.** Pajisjet mbrojtëse si maska kundër pluhurit, këpuçet që nuk rrëshqasin, kaskat ose pajisjet për mbrojtjen e veshëve për kushtet përkatëse ulin rrezikun e dëmtimeve fizike.
- Parandaloni ndezjen e rastësishme. Sigurohuni që**



çelësi është në pozicionin fikur para se të lidhni burimin e energjisë dhe/ose baterinë, para se të merrni ose të transportoni pajisjen. Transportimi i veglave të punës duke e mbajtur gishtin në çelës ose ndezja e mjeteve me korrent që kanë çelësin të ndezur është burim aksidentesh.

- d) **Hiqni çdo çelës ose çelës përshtatës para ndezjes së veglës së punës.** Një çelës i lënë i lidhur me një pjesë rrotulluese të veglës së punës mund të shkaktojë dëmtime personale.
- e) **Mos u zgjasni. Mbani një vendosje të mirë të këmbëve dhe një ekuilibër të mirë në çdo moment.** Kjo gjë bën të mundur një kontroll më të mirë të veglës së punës në situata të papritura.
- f) **Vishuni në mënyrën e duhur. Mos vishni veshje të gjera ose bizhuteri. Mbajini flokët dhe rrobat larg nga pjesët e lëvizshme.** Veshjet e gjera, bizhuteritë ose flokët e gjatë mund të kapen nga pjesët në lëvizje.
- g) **Nëse janë ofruar pajisje për lidhjen e pajisjeve të mbledhjes dhe nxjerrjes së pluhurave, sigurohuni që ato të jenë të lidhura dhe të përdoren si duhet.** Përdorimi i mbledhjes së pluhurave mund të zvogëlojë rrezikun në lidhje me pluhurat.
- h) **Mos lejoni që familjarizimi i fituar nga përdorimi i shpeshtë i veglave t'ju bëjë të ndiheni tepër të sigurt në vetvete dhe të shpërfillni parimet e sigurisë për pajisjet.** Një veprim i pakujdesshëm mund të shkaktojë dëmtime të rënda në më pak se një sekondë.
- 4) **PËRDORIMI DHE KUJDESI PËR VEGLËN E PUNËS**
  - a) **Mos ushtroni forcë mbi veglën e punës.** Përdorni veglën e punës të duhur për përdorimin tuaj. Vegla e punës e duhur do të realizojë një punë më të mirë dhe më të sigurt dhe me shpejtësinë që ajo është e projektuar.
  - b) **Mos përdorni veglën e punës nëse çelësi nuk e ndez apo e fik.** Çdo vegël pune që nuk mund të kontrollohet me anë të çelësit është e rrezikshme dhe duhet të riparohet.
  - c) **Shkëputeni spinën nga burimi i energjisë dhe/ose hiqni paketën e baterisë, nëse është e mundur, nga mjeti me korrent para se të bëni rregullime, ndryshoni aksesorët ose vendosni mjetet me korrent.** Këto masa parandaluese ulin rrezikun e ndezjes aksidentale të mjeteve të punës.
  - d) **Mbani veglat e punës larg fëmijëve dhe mos lejoni personat e pamësuar me veglën e punës ose këto udhëzime për përdorimin e pajisjes.** Veglat e punës janë të rrezikshme në duart e përdoruesve të patrajnuar.
  - e) **Mirëmbajini veglat me korrent dhe aksesorët.** Kontrolloni për mospërshtatje ose bllokim të pjesëve lëvizëse, thyerje të pjesëve dhe gjendje të tjera që mund të ndikojnë në funksionimin e veglës së punës. Nëse dëmtohet, riparojeni veglën e punës para përdorimit. Shumë aksidente shkaktohen nga veglat e punës jo të mirëmbajtura si duhet.
  - f) **Mbajini pajisjet prerëse të pastra dhe të mprehta.** Pajisjet e prerjes të mirëmbajtura dhe me anë të mprehta kanë më pak mundësi për t'u bllokuar dhe janë më të lehta për t'u kontrolluar.
  - g) **Përdorni veglat e punës, aksesorët dhe puntot, etj. në përputhje me këto udhëzime, duke marrë parasysh kushtet e punës dhe punën që do të kryhet.** Përdorimi i veglave për përdorime të ndryshme

nga ato të përcaktuara mund të shkaktojë rreziqe.

- h) **Mbajini dorezat dhe sipërfaqet ku mbaheni të thata, të pastra dhe pa vavra ose graso.** Dorezat dhe sipërfaqet ku mbaheni, kur janë të rrëshqitshme, nuk ju lejojnë të manaxhoni dhe ta kontrolloni në mënyrë të sigurt pajisjen në situata të papritura.
- 5) **PËRDORIMI DHE KUJDESI PËR VEGLËN ME BATERI**
  - a) **Karikojeni vetëm me karikuesin e specifikuar nga prodhuesi.** Një karikues që është i përshtatshëm për një lloj baterie mund të krijojë rrezik për zjarr kur përdoret me një bateri tjetër.
  - b) **Përdorni vetëm mjetet me bateri që kanë bateri të krijuara në mënyrë të posaçme për to.** Përdorimi i çdo baterie tjetër mund të krijojë rrezik për dëmtime dhe zjarr.
  - c) **Kur bateria nuk është në përdorim, mbajeni larg nga objektet e tjera metalike si kapëset e letrës, monedhat, çelësat, gozhdët, vidat ose objektet e tjera të vogla metalike që mund të bëjnë lidhjen e një terminali me terminalin tjetër.** Bashkimi i terminalëve së bashku mund të shkaktojë djegie ose zjarr.
  - d) **Nëse kushtet janë të papërshtatshme, nga bateria mund të dalin lëngje; shmangni kontaktin.** Nëse kontakti ndodh padashur, shpëlajeni me ujë. Nëse lëngu ju bie në kontakt me sytë, kërkoni ndihmë mjekësore. Lëngu që del nga bateria mund të shkaktojë irritim ose djegie.
  - e) **Mos përdorni bateri ose mjete që janë dëmtuar ose modifikuar.** Bateritë e dëmtuara ose të modifikuara mund të shfaqin sjellje të paparashikuara, duke shkaktuar zjarr, shpërthim ose rrezik dëmtimesh fizike.
  - f) **Mos e ekspozoni një pako baterish ose një vegël ndaj zjarrit ose temperaturës shumë të lartë.** Ekspozimi ndaj zjarrit ose një temperature mbi 130°C mund të shkaktojë shpërthim.
  - g) **Ndiqui në gjitha udhëzimet për karikimin dhe mos e karikoni baterinë ose veglën jashtë gamës së temperaturës që specifikohet tek udhëzimet.** Karikimi i papërshtatshëm ose në temperatura jashtë gamës së specifikuar mund të dëmtojë baterinë dhe të rritë rrezikun për zjarr.
  - 6) **SHËRBIMI**
    - a) **Shërbimi i veglës së punës duhet të kryhet nga një person i kualifikuar për riparimet duke përdorur vetëm pjesë ndërrimi identike.** Kjo gjë do të sigurojë ruajtjen e sigurisë së veglave të punës.
    - b) **Mos u mundoni asnjëherë t'i riparoni bateritë e dëmtuara.** Riparimi i baterive duhet të kryhet vetëm nga prodhuesi ose ofruesit e autorizuar të shërbimit.

#### UDHËZIME SIGURIE PËR MATRAPIKUN ME BATERI

- **Vishni kufje mbrojtëse për dëgjimin.** Ekspozimi ndaj zhurmës mund të shkaktojë humbje dëgjimi
- **Përdorni dorezë ose doreza ndihmëse, nëse janë dhënë bashkë me mbjetin.** Humbja e kontrollit mund të shkaktojë lëndime
- **Mbajeni mjetin duke kapur sipërfaqet e izoluar të prekjes kur bëni një punë aty ku aksesori i prerjes mund të bjerë në kontakt me tela të fshehur (aksesorët e prerjes që bien në kontakt me një tel me korrent mund të ekspozojnë pjesët metalike të mjetit të punës në korrent dhe mund t'i japin përdoruesit një**

goditje elektrike)

## UDHËZIME PËR SIGURINË GJATË PËRDORIMIT TË PUNTOVE TË GJATA ME TRAPANË

- **Gjithmonë filloni të shpini në shpejtësi të ulët me majën e puntos në kontakt me sipërfaqen e punës.** Në shpejtësi më të larta, ka të ngjarë që puntoja të përkulet nëse lihet të rrotullohet lirshëm pa pasur kontakt me sipërfaqen e punës, duke shkaktuar kështu lëndime.
- **Ushtroni presion vetëm në vijë direkte me puntion dhe mos ushtroni presion të tepërt.** Puntion mund të përkulen duke shkaktuar thyerje ose humbje të kontrollit dhe duke shkaktuar kështu lëndime.

### TË PËRGJITHSHME

- **Mos punoni me materiale që përmbajnë asbest** (asbesti konsiderohet kancerogjen)
- Kjo pajisje nuk duhet të përdoret nga personat nën moshën 16 vjeç
- Pluhurat nga materialet si boja me plumb, disa lloje drurësh, mineralësh dhe metalësh mund të jenë të dëmshme (kontakti ose thithja e pluhurave mund të shkaktojë reagime alergjike dhe/ose sëmundje respiratore për përdoruesin ose personat përreth); **mbani një maskë për pluhurat dhe punoni me një pajisje për heqjen e pluhurave kur mund të lidhet**
- Disa lloje pluhurash janë klasifikuar si kancerogjene (si pluhuri i lisit dhe i ahut) veçanërisht në ndërthurje me lëndët shtesë për kondicionimin e drurit; **mbani një maskë për pluhurat dhe punoni me një pajisje për heqjen e pluhurave kur mund të lidhet**
- Respektoni kërkesat kombëtare në lidhje me pluhurat për materialet me të cilat dëshironi të punoni

### PARA PËRDORIMIT

- Shmangni dëmtimet që mund të shkaktohen nga vidat, gozhdët dhe elementët e tjerë në materialin e punës; hiqni ato para se të filloni punën
- **Siguroni materialin e punës** (një material i shtrënguar me një pajisje shtrëngimi ose morsë mbahet në mënyrë më të sigurt se sa me dorë)
- **Përdorni detektorë përkatës për të gjetur linjat e fshehura të shërbimit ose telefononi kompaninë lokale të shërbimeve për ndihmë** (kontakti me linjat elektrike mund të shkaktojë zjarr ose goditje elektrike; dëmtimi i një linje gazi mund të shkaktojë një shpërthim; shpimi i një tubi uji do të shkaktojë dëmtim të pronës ose një goditje elektrike)
- Sigurohuni që çelësi i zgjedhjes së rrotullimit B ② të jetë në pozicionin e mesit (bllokues) para se të bëni ndonjë rregullim ose të ndërroni aksesorët, si dhe kur transportoni ose vendosni mjetin.
- Kini parasysh forcat që ndodhin si rezultat i bllokimit (veçanërisht kur shpini në metale); **përdorni gjithnjë dorezën ndihmëse** dhe mbajeni trupin në pozicion të sigurt

### AKSESORËT

- SKIL mund të garantojë funksionimin pa probleme të veglës vetëm kur përdoren aksesorët origjinalë
- Përdorni vetëm aksesorë me një shpejtësi të lejuar që përshtatet të paktën me shpejtësinë më të lartë pa ngarkesë të pajisjes

### PAS PËRDORIMIT

- Kur ta largoni pajisjen, fikeni motorin dhe sigurohuni që të gjitha pjesët lëvizëse të kenë ndaluar plotësisht

### BATERITË

- **Bateria e dhënë është pjesërisht e karikuar** (për të siguruar kapacitet të plotë të baterisë, karikojeni baterinë plotësisht në karikuesin e baterisë para se ta përdorni mjetin për herë të parë).
- **Përdorni vetëm bateritë dhe karikuesit e mëposhtëm me këtë mjet**
  - Bateria SKIL: BR1\*31\*\*\*\*
  - Karikues SKIL: CR1\*31\*\*\*\*
- Mos e përdorni baterinë nëse është e dëmtuar; ajo duhet të ndërrohet menjëherë
- Mos e çmontoni baterinë
- Mos e ekspozoni mjetin/baterinë në shi
- Lejohet temperatura e ambientit (vegël/karikuesin/bateri):
  - kur karikoni 4...40°C
  - gjatë punës -20...+50°C
  - gjatë magazinimit -20...+50°C

### SHPJEGIMI I SIMBOLEVE NË VEGËL/BATERI

- ① Lexoni manualin e udhëzimeve para përdorimit
- ④ Bateritë mund të shpërthejnë kur hidhen në zjarr, prandaj mos i digjni bateritë për asnjë arsye
- ⑤ Ruajeni veglën/karikuesin/baterinë në vende ku temperatura nuk i kalon 50°C
- ⑥ Mos i hidhni veglat elektrike dhe bateritë së bashku me mbeturinat shtëpiake

## PËRDORIMI

- Karikimi i baterisë
  - ! **Lexoni parajjmërimet dhe udhëzimet e sigurisë të dhëna me karikuesin**
- Heqja/instalimi i baterisë ②
- Treguesi i nivelit të baterisë ⑦
  - shtypni butonin tregues të nivelit të baterisë G për të shfaqur nivelin aktual të baterisë ⑦a
  - ! **kur fillon të pulsojë niveli më i ulët i treguesit të baterisë pasi kenë shtypur G ⑦b, bateria është bosh**
  - ! **kur 2 nivelet e treguesit të baterisë fillojnë të pulsojnë pasi kenë shtypur butonin G ⑦c, bateria nuk është brenda temperaturës së lejuar**
- Mbrojtja e baterisë
  - Mjeti fiket papritur ose nuk ndizet kur
    - **ngarkesa është tepër e lartë** --> hiqeni ngarkesën dhe ndizeni përsëri
    - **temperatura e baterisë nuk është brenda nivelit të lejuar të temperaturës prej -20 deri në +50°C**  
--> 2 nivelet e treguesit të nivelit të baterisë fillojnë të pulsojnë kur shtypni butonin G ⑦c; prisni derisa bateria të jetë brenda temperaturës së lejuar
    - **bateria është thuhajse bosh (për t'u mbrojtur nga dëmtimi për shkak të shkarkimit të thellë)** --> niveli i ulët i baterisë ose pulsimi për shkak të nivelit të ulët të baterisë ⑦b tregohet në treguesin e nivelit të baterisë kur shtypni butonin G; karikoni baterinë
  - ! **mos vazhdoni të shtypni çelësin e ndezjes/fikjes pasi pajisja të fiket automatikisht; bateria mund të dëmtohet**
- Ndryshimi i drejtim të rrotullimit ⑧
  - kur është vendosur si duhet në pozicionin majtas/djathtas, çelësi B ② nuk mund të aktivizohet
  - ! **ndryshoni drejtimin e rrotullimit vetëm kur pajisja të jetë plotësisht e ndaluar**
- Instalimi dhe heqja e puntove ⑨a & ⑨b
  - ! **pastroni dhe lubrifikoni pak aksesoriin SDS+ para**

## **lidhjes**

- futni aksesori në mandrinën SDS+ duke e rrotulluar dhe shtyrë deri sa të vendoset; aksesori do të bllokohet automatikisht në pozicionin përkatës

- tërhiqeni aksesori për të kontrolluar që është bllokuar si duhet

- hiqeni aksesori duke tërhequr këmbishën bllokuese D

**! aksesori SDS+ kërkon liri veprimi gjë që shkakton rrotullim jashtë qendrës kur pajisja është pa ngarkesë; sidoqoftë aksesori centrohet automatikisht vetë gjatë përdorimit pa ndikuar në saktësinë e shpimit**

**! mos i përdorni puntot me një bosht rrotullues të dëmtuar**

- Çelësi i kombinuar për ndezje/fikje <sup>10</sup> dhe kontrolli i shpejtësisë <sup>11</sup>
  - kontrolloni shpejtësinë në shkallë nga zero në maksimum duke ushtruar më pak ose më shumë trysni mbi çelësin B

- Zgjedhja e modalitetit të veprimit <sup>12</sup>
  - rrotulloni çelësin C në modalitetin e dëshiruar të funksionimit deri sa të fiksohet
    - 1 = shpim normal/vidhosje
    - 2 = shpim me goditje
    - 3 = gërryerje me daltë rrotulluese
    - 4 = gërryerje me daltë fikse

**! zgjidhni modalitetin e punës vetëm kur mjeti të jetë i fikur dhe bateria të jetë hequr**

- mekanizmi i goditjes çekiç aktivizohet duke ushtruar pak trysni mbi pajisje kur puntoja e shpimit është në kontakt me materialin e punës

- kërkon pak kohë që mekanizmi i çekiçit të arrijë fuqinë e impaktit të plotë

- rezultatet më të mira të shpimit me goditje çekiçi mund t'i arrihen me vetëm pak shtypje mbi pajisje; rendimenti i shpimit nuk do të rritet duke ushtruar më shumë trysni mbi pajisje

- Gërryerja me daltën fikse <sup>13</sup>
  - ! **fikeni mjetin dhe hiqeni baterinë**
  - zgjidhni modalitetin e daltës rrotulluese
  - vendoseni daltën në pozicionin që dëshironi
  - zgjidhni modalitetin e daltës fikse
- Drita LED <sup>14</sup>
  - Drita LED E ndizet automatikisht kur aktivizoni çelësin B

**! kur drita LED fillon të pulsojë, kjo do të thotë se është aktivizuar mbrojtja e baterisë (shiko më poshtë)**

- Mbajtja dhe drejtimi i veglës <sup>15</sup>
  - ! **gjatë punës, mbajeni gjithmonë veglën në zonën(at) e dorezës me ngjyrë gri**
  - **përdorni gjithmonë dorezën ndihmëse J** (mund të rregullohet sipas ilustrimit) <sup>16</sup>
  - mbajini hapësirat e ajrimit F<sup>2</sup> të pambuluara
  - mos ushtroni shumë trysni mbi pajisje; mësoni pajisjen që të punojë për ju
- Rregullimi i thellësisë së shpimit <sup>17</sup>

## **KËSHILLË PËR PËRDORIMIN**

- Përdorni puntot e duhura <sup>18</sup>
  - ! **përdorni vetëm punto të mprehta**
- Për të shpuar me punto jo SDS në dru, metal dhe plastikë, përdorni një adaptor (nuk përfshihet si standard)

<sup>19</sup>

**! pastroni dhe lubrifikoni pak aksesori SDS+ para lidhjes**

- tërhiqni këmbishën bllokuese D dhe futni përshtatësin në mandrinën SDS+ duke e rrotulluar dhe shtyrë deri sa të vendoset; përshtatësi do të bllokohet automatikisht në pozicionin përkatës

- tërhiqeni përshtatësin për të kontrolluar nëse është bllokuar si duhet

- vendoseni çelësin C në shpim normal (aktivizojeni vetëm kur mjeti është i fikur dhe çelësi është i kyçur)

- Kur shpini metale hekuri
  - shpini paraprakisht një vrimë të vogël, kur kërkohet një vrimë e madhe
  - lubrifikoni herë pas here me vaj puntot e shpimit
- Kur vidhosni një vidë/pranë skajit të prerjes kryq ose një skaj të drurit, shpini paraprakisht një vrimë për të shmangur krisjen e drurit
- Shpimi pa ashkla në dru <sup>20</sup>
- Shpimi pa pluhura në mure <sup>21</sup>
- Shpimi pa pluhura në tavane <sup>22</sup>
- Shpimi në pllaka pa rrëshqitur <sup>23</sup>
- Për më shumë informacion, shikoni [www.skil.com](http://www.skil.com)

## **MIRËMBAJTJA/SHËRBIMI**

- Ky mjet nuk është bërë për përdorim profesional
- Mabajeni gjithmonë veglën dhe kordonin të pastër (veçanërisht hapësirat e ajrimit F<sup>2</sup>)

**! hiqeni baterinë nga mjeti para se ta pastroni**

- Nëse pajisja ka defekt pavarësisht kujdesit në prodhim dhe procedurat e provave, riparimi duhet të kryhet nga një qendër e shërbimit pas shitjes për veglat e punës të SKIL
  - dërgoni veglën të çmontuar së bashku me vërtetimin e blerjes të shitësi ose të qendra më e afërt e shërbimit e SKIL (adresat si dhe diagrami i shërbimit i veglës janë të paraqitura në [www.skil.com](http://www.skil.com))
- Kini parasysh se dëmtimet për shkak të mbingarkesës ose manovrimit të papërshtatshëm të veglës janë të përjashtuara nga garancia (për kushtet e garancisë së SKIL vizitoni [www.skil.com](http://www.skil.com) ose pyetni shitësin tuaj)

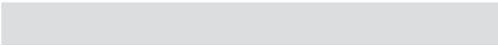
## **MJEDISI**

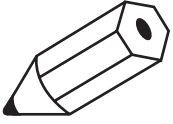
- **Mos i hidhni veglat elektrike, bateritë, aksesorët dhe paketimin së bashku me materialet e mbeturinave familjare** (vetëm për vendet e BE-së)
  - në respektim të Direktivës evropiane 2012/19/EC për pajisjet elektrike dhe elektronike si mbetje dhe zbatimin e saj në përputhje me ligjet kombëtare, pajisjet elektrike që kanë aritur në fund të jetëgjatësisë së tyre duhet të mblidhen të ndara dhe të kthehen në një objekt riciklimi në përputhje me mjedisin.
  - simboli <sup>6</sup> do t'ju kujtojë për këtë gjë kur të jetë nevoja për t'i hedhur
- **! para hedhjes mbroni terminalët e baterisë me ngjithë të fortë për të parandaluar qarkun e shkurtër**

## **ZHURMA / VIBRIMI**

- I matur sipas EN62841, niveli i presionit të zhurmës së këtij mjeti është 93,4 dB(A) dhe niveli i fuqisë së zhurmës është 104,4 dB(A) (toleranca K = 3 dB), dhe dritëhja\* (shuma e vektorit triax; toleranca K = 1,5 m/s<sup>2</sup>)

\* kur shpini në beton 16,2 m/s<sup>2</sup>

- \* kur shponi me daltë 12,8 m/s<sup>2</sup>
  - Niveli i emetimit të dridhjeve është matur sipas një testi të standardizuar të përcaktuar në EN62841; ai mund të përdoret për të krahasuar një mjet me një tjetër, si edhe si një vlerësim paraprak i ekspozimit ndaj dridhjeve e përdorni mjetin për proceset e përmendura
    - përdorimi i pajisjes për procese të ndryshme, ose me aksesorë të ndryshëm dhe të mirëmbajtur keq, mund të **rritë** ndjeshëm nivelin e ekspozimit
    - kohët kur pajisja është e fikur dhe kur është e ndezur por jo në punë, mund të **zvogëlojnë** ndjeshëm nivelin e ekspozimit
- ! mbron veten nga efektet e vibrimit duke mirëmbajtur pajisjen dhe aksesorët e saj, duke i mbajtur duart e ngrohta dhe duke organizuar mënyrën tuaj të punës**
- 



A series of horizontal lines for writing, consisting of 20 parallel lines spaced evenly down the page.





! با نگهداری مناسب از ابزار و لوازم و متعلقات آن، گرم نگهداشتن دست‌های خود، و سازمان‌دهی طرح‌های کاری می‌توانید خود را در برابر اثرات ارتعاش محافظت کنید





- بار وارده بیش از حد مجاز است -- بار را بردارد و دستگاه را مجدداً راه اندازی کنید
- دمای باتری در محدوده دمای کاری مجاز ۲۰- تا ۵۰+ درجه سانتی گراد نیست -- سطح از نشانگر شارژ باتری هنگام فشار دادن دکمه G (V) شروع به چشمک زدن می کند؛ صبر کنید تا باتری به محدوده دمای کاری مجاز بازگردد
- باتری تقریباً خالی است (برای محافظت در برابر تخلیه عمیق) -- یک سطح باتری ضعیف یا سطح باتری چشمکزن (V) در صورت فشار دادن دکمه G روی نشانگر سطح باتری دیده خواهد شد؛ باتری را شارژ کنید
- ! بعد از خاموش شدن خودکار ابزار کلید روشن/خاموش را مرتب فشار ندهید؛ امکان دارد باتری آسیب ببیند

- تغییر جهت چرخش (A)
  - کلید B (I) در صورتی که درست در وضعیت چپ/راست تنظیم نشده باشد فعال نخواهد شد

! فقط زمانی جهت چرخش ابزار را عوض کنید که ابزار در حالت توقف کامل باشد

- نصب و حذف بیتها (a) و (b)
  - پیش از قرار دادن قطعه SDS، آن را تمیز کرده و کمی روغن کاری نمایید
  - قطعه را در SDS قرار دهید و بچرخانید و فشار دهید تا درگیر شود؛ قطعات به طور خودکار در جای خود قفل می شوند
  - برای اینکه از قفل شدن صحیح متعلقات مطمئن شوید آنها را بکشید
  - با عقب کشیدن ماسوره قفل، قطعه را جدا کنید

! قطعه SDS نیازمند آزادی حرکت است که باعث می شود ابزار در صورتی بار روی آن نباشد دچار لنگی شوند؛ اما قطعه در حین کار به طور خودکار و بدون تأثیر بر دقت دریل کاری در محل مناسب قرار می گیرد

! اگر ساقه بیت آسیب دیده است نباید از آن استفاده کنید

• کلید ترکیبی برای روشن/خاموش کردن (I) و کنترل سرعت (II)
 

- با کم یا زیاد کردن فشار روی کلید B می توانید دور را بدون پله از صفر تا حداکثر کنترل کنید

- انتخاب حالت عملیاتی (II)
  - ابتدا کلید C را بچرخانید و به حالت کاری دخواه بیاورید تا اینکه در جای خود قفل شود

- ۱ پیچ/دریل کاری عادی
  - ۲ دریل کاری ضربه ای
  - ۳ قلم کاری با قلم دوار
  - ۴ قلم کاری با قلم ثابت
- ! حالت کار را فقط زمانی انتخاب کنید که ابزار خاموش است و باتری خارج شده است

- مکانیسم چکش موقعی که سرتمه با قطعه کار در تماس است با وارد کردن فشار کمی بر ابزار فعال می شود
- رسیدن مکانیسم چکش به حداکثر توان ضربه ای کمی زمان می برد
- برای بدست آوردن بهترین نتیجه دریل کاری چکشی فقط کافی است کمی فشار روی ابزار وارد شود؛ عملکرد دریل کاری با وارد کردن فشار بیشتر بر روی ابزار بهبود نمی یابد

- قلم کاری با قلم ثابت (III)
  - ! ابزار را خاموش کنید و باتری را در میابید
  - حالت قلم کاری "دوار" را انتخاب کنید
  - قلم را در موقعیت دخواه قرار دهید
  - حالت قلم کاری "ثابت" را انتخاب کنید

- چراغ LED (IV)
  - وقتی کلید B را فعال می کنید چراغ LED به طور خودکار روشن می شود
  - ! اگر سیستم محافظت باتری فعال شده باشد، چراغ کار DEL شروع به چشمک زدن می کند (بخش بالا را ملاحظه کنید)

• نگهداشتن و هدایت ابزار (V)
 

- ! هنگام کار باید همیشه ابزار را از (جا)های دست خاکستری رنگ بگریزد
- همیشه از دسته کمکی L استفاده کنید (مطابق شکل قابل تنظیم است)

- شیارهای تهویه F۲ در مسدود نکند
- فشار بیش از حد به ابزار وارد نکند؛ بگذارید ابزار به جای شما کار کند
- تنظیم عمق دریل کاری (VI)

## توصیه های کاربردی

- از سرتمه های مناسب استفاده کنید (VII)
  - ! فقط از سرتمه های تیز استفاده کنید
- برای دریل کاری با سرتمه های غیر SDS در چوب، فلزات و پلاستیک، از یک تبدیل استفاده کنید (به طور استاندارد همراه ابزار ارائه نمی شود) (VIII)
  - ! پیش از قرار دادن قطعه SDS، آن را تمیز کرده و کمی روغن کاری نمایید
  - ماسوره قفلی D را عقب بکشید و تبدیل را در کلاچ SDS قرار داده و آن را بچرخانید و فشار دهید تا درگیر شود؛ تبدیل به طور خودکار در جای خود قفل می شود
  - برای اینکه از قفل شدن صحیح تبدیل مطمئن شوید آنرا بکشید
  - کلید C را در حالت دریل کاری عادی قرار دهید (فقط وقتی که ابزار خاموش و کلید قفل شده است)
- برای مته کردن فلزات آهنی
  - اگر می خواهید سوراخ بزرگی ایجاد کنید، ابتدا یک سوراخ کوچک اولیه ایجاد کنید
  - سرتمه را هر چند وقت یکبار با روغن روانکاری کنید
- هنگام سفت کردن یک پیچ در/کنار لبه یا مقطع برش یک تکه چوب، ابتدا یک سوراخ ایجاد کنید تا چوب ترک نخورد
- مته کاری بدون تراشه در چوب (IX)
  - مته کاری بدون گرد و غبار در دیوار (X)
  - مته کاری بدون گرد و غبار در سقف (XI)
  - مته کاری کاشی ها بدون لیز خوردن (XII)
- برای اطلاعات بیشتر به [www.skil.com](http://www.skil.com) مراجعه کنید

## نگهداری سرویس

- این ابزار برای مصارف حرفه ای مناسب نیست
- همیشه ابزار را تمیز نگه دارید (به خصوص شیارهای تهویه F (I))
  - ! پیش از تمیز کردن باید باتری را از ابزار جدا کنید
- اگر ابزار علی رغم تمام دقت و مراقبتی که در فرایندهای تولید و تست بکار برده شده از کار افتاد، تعمیرات باید فقط در مراکز خدمات پس از فروش ابزارهای برقی SKIL انجام شود
- ابزار را به صورت باز نشده همراه با رسید خرید به فروشنده یا نزدیک ترین مرکز خدماتی SKIL بفرستید (آدرس ها به همراه نقشه سرویس ابزار در [www.skil.com](http://www.skil.com) موجود است)
- توجه داشته باشید که خرابی و خسارت ناشی از اضافه بار یا کار کردن نادرست با ابزار مشمول ضمانت نخواهند بود (برای اطلاع از شرایط ضمانت SKIL به نشانی [www.skil.com](http://www.skil.com) مراجعه کرده یا از فروشنده خود سؤال کنید)

## محیط زیست

- ابزارهای برقی، قطعات و بسته بندی آن ها را نباید همراه با زباله های عادی خانگی دور انداخت (فقط مخصوص کشورهای عضو اتحادیه اروپا)
  - با توجه به مصوبه اروپایی EC/19/20۰۱۲ اروپا درباره لوازم برقی و الکترونیکی مستعمل و اجرای این مصوبه مطابق با قوانین کشوری، ابزارهای برقی که به پایان عمر مفید خود رسیده اند باید جداگانه جمع آوری شده و به یک مرکز بازیافت مناسب و سازگار با محیط زیست انتقال یابند
  - نماد (I) یادآور این مسئله در هنگام دور انداختن است
- ! قبل از دور انداختن باتری حتماً باید روی پایانه های باتری را با نوار چسب سنگین بپوشانید تا اتصال کوتاه نکند

## سرورصد / ارتعاش

- طبق استاندارد EN1۲۸۴۱، میزان فشار صوتی این ابزار ۹۳.۴ دسی بل (A) و میزان توان صوتی آن ۴.۱۰ دسی بل (A) (عدم قطعیت = ۳ K دسی بل)، و میزان ارتعاشات آن\* (جمع بردارهای مسجوت؛ عدم قطعیت = ۱.۵ K مترمخدور ثانیه) می باشد
- \* هنگام حفاری چکشی در بتن ۲.۶۱ مترمخدور ثانیه
- \* هنگام قلم کاری ۸.۲۱ مترمخدور ثانیه
- میزان انتشار ارتعاشات صوتی بر اساس تست استاندارد شده EN1۲۸۴۱ اندازه گیری شده است؛ از این تست می توان برای مقایسه ابزارها با یکدیگر همچنین برای ارزیابی اولیه ارتعاشات صوتی ابزار الکتریکی برای موارد ذکر شده ی فوق استفاده کرد
- استفاده از ابزار برای کاربردهای متفاوت، یا با لوازم و متعلقات متفاوت با لوازم و متعلقاتی که بد نگهداری شده اند، می تواند میزان در معرض قرارگیری را به طور قابل ملاحظه ای افزایش دهد
- مواقعی که ابزار خاموش است یا روشن است ولی کاری با آن انجام نمی شود، میزان در معرض قرارگیری به طور قابل توجهی کاهش می یابد

دقت‌ترچه و همچنین با در نظر گرفتن شرایط و نوع کار مورد استفاده قرار دهید. استفاده کردن از ابزار الکتریکی برای کارهایی که برای آن طراحی نشده است می‌تواند بسیار خطرناک باشد.

د) دست‌ها و سطوح دستگیره‌ها را خشک، تمیز و عاری از روغن و گریس نگه دارید. در صورت لیز بودن دست‌ها و سطوح دستگیره‌ها امکان گرفتن و کنترل ایمن ابزار در شرایط غیرمنتظره وجود نخواهد داشت.

ه) مراقبت و طرز استفاده از ابزارهای شارژی  
ا) باتری‌ها را منحصر در دستگاه‌هایی شارژ کنید که توسط سازنده توصیه شده باشند. شارژی که برای یک نوع بسته باتری مناسب است، ممکن است اگر برای شارژ بسته باتری دیگر استفاده شود خطر آتش‌سوزی ایجاد کند.

ب) در ابزار الکتریکی، تنها از باتری‌هایی استفاده کنید که برای آن در نظر گرفته شده‌اند. استفاده از باتری‌های متفرقه می‌تواند منجر به جراحات و حریق گردد.

ت) در صورت عدم استفاده از باتری باید آن را از اجسام فلزی دیگر، از جمله گیره‌های فلزی، سکه، کلید، میخ، پیچ یا دیگر وسایل کوچک فلزی دور نگه دارید. زیرا برخورد با این وسایل می‌تواند باعث ایجاد اتصالی شود. ایجاد اتصالی بین ترمینال‌های باتری می‌تواند باعث سوختگی یا ایجاد حریق شود.

ث) استفاده بی‌رویه از باتری می‌تواند باعث خروج مایعات از آن شود. در چنین شرایطی از دست زدن به آن خودداری کنید. در صورت تماس اتفاقی با آن، دست خود را با آب بشویید. در صورت تماس با مایع با چشم، به پزشک مراجعه کنید. مایع خارج شده از باتری می‌تواند باعث التهاب پوست و سوختگی شود.

ج) اگر یک بسته باتری یا ابزار آسیب دیده یا دستکاری شده است، نباید از آن استفاده کنید. باتری‌های آسیب‌دیده یا دستکاری شده ممکن است منجر به حوادث پیش‌بینی نشده، از جمله آتش‌سوزی، انفجار و جرات، شوند.

ح) بسته باتری یا ابزار را در معرض آتش یا دمای بسیار بالا نگذارید. قرار دادن در معرض آتش یا دمای بالاتر از ۲۱۰ درجه سانتیگراد می‌تواند باعث انفجار گردد.

خ) تمام دستورالعمل‌های مربوط به شارژ باتری را رعایت کنید. هرگز دستگاه را خارج از محدوده دمای ذکر شده در دفترچه راهنما شارژ نکنید. شارژ نادرست یا شارژ کردن در دمای خارج از محدوده ذکر شده می‌تواند به باتری آسیب برساند و خطر آتش‌سوزی را بالا ببرد.

ی) سرویس  
ا) برای سرویس ابزار الکتریکی به تعمیرکار ماهر رجوع کنید و تنها از وسایل یدکی یکسان استفاده کنید. این کار باعث خواهد شد که ایمنی ابزار الکتریکی شما تضمین گردد.

ب) هرگز بسته‌های باتری آسیب‌دیده را سرویس نکنید. عملیات سرویس بسته‌های باتری باید فقط توسط سازنده یا مراکز خدماتی مجاز انجام شود.

### دستورالعمل‌های ایمنی برای چکش شارژی

• محافظ گوش بپوشید. فرارگیری در معرض صدای بلند می‌تواند به شنوایی شما آسیب برساند.

• در صورت ارائه به همراه ابزار، از دسته(های) کمکی استفاده کنید. از دست دادن کنترل می‌تواند باعث آسیب به فرد شود.

• اگر از ابزار در مواردی استفاده می‌کنید که امکان دارد قطعات برش یا سیم‌های پنهان تماس پیدا کنند، حتماً باید ابزار را از جا دست‌های مخصوص عایق آن بگیرید (تماس قطعات برش با سیم‌های «برق‌دار» می‌تواند در بخش‌های فلزی دستگاه نیز جریان «برق» تولید کند و موجب برق‌گرفتگی کاربرد دستگاه شود)

### دستورالعمل‌های ایمنی هنگام استفاده از مته دریل بلند با چکش‌های چرخشی

• همیشه مته کاری را بالا سرعتی پایین تر و در حالی شروع کنید که نوک سرمته با قطعه کار در تماس باشد. در سرعت های بالاتر، اگر سرمته آزادانه و بدون تماس با قطعه کار بچرخد امکان دارد خم شده و باعث جرات شخصی شود.

• فقط در یک خط مستقیم با سرمته فشار وارد کنید و از وارد آوردن فشار بیش از حد خودداری نمائید. سرمته‌ها می‌توانند خم شوند و باعث شکستن یا از دست رفتن کنترل و در نتیجه آسیب به افراد شوند.

### عمومی

• با مواد حاوی آزبست کار نکنید (آزبست سرطان‌زا است)  
• افراد کمتر از ۱۶ سال نباید با این دستگاه کار کنند  
• گرد و خاکی که از موادی مانند رنگ های حاوی سرب، برخی گونه‌های چوب، مواد معدنی و فلزات بلند می‌شود می‌تواند خطرناک باشد (تماس با این گرد و خاک یا تنفس آنها می‌تواند در کاربران ابزار یا افراد نزدیک به محل کار واکنش‌های حساسیتی و/یا بیماری‌های تنفسی ایجاد کند). یک ماسک مخصوص گرد و خاک

بزنید و در صورت امکان از یک وسیله مکش گرد و خاک استفاده کنید  
• برخی از گرد و خاک‌ها (مانند گرد و خاکی که از چوب بلوط یا راش بلند می‌شود) مخصوصاً در مجاورت افزودنی‌های مخصوص چوب، سرطان‌زا هستند؛ یک ماسک مخصوص گرد و خاک بزنید و در صورت امکان از یک وسیله مکش گرد و خاک استفاده کنید

• از مقررات ملی مربوط به گرد و خاک موادی که می‌خواهید با آنها کار کنید پیروی نمائید

### پیش از استفاده

• پیچ‌ها، میخ‌ها و سایر اجزا می‌توانند به قطعه کاری شما آسیب برسانند؛ بنابراین پیش از شروع کار آن‌ها را جدا کنید

• قطعه کاری را محکم کنید اگر قطعه کاری را با گیره‌های بخاری یا گیره‌های رومی‌زی ثابت کنید بسیار مطمئن‌تر از گرفتن آن با دست خواهد بود)

• برای پیدا کردن سیم و لوله‌های پنهان از شناساگرهای مناسب استفاده کنید یا با شرکت‌های خدمات محلی تماس بگیرید و از آن‌ها کمک بخواهید (تماس با سیم‌های برق موجب آتش‌سوزی و برق‌گرفتگی می‌شود؛ آسیب رساندن به لوله گاز سبب انفجار می‌شود؛ سوراخ کردن لوله‌های آب به ساختمان آسیب می‌رساند و موجب خطر برق‌گرفتگی می‌شود)

• قبل از هرگونه تنظیم یا تعویض قطعات و نیز حمل و قرار دادن ابزار در محل نگهداری آن مطمئن شوید که انتخاب‌گر جهت چرخش B ۲ روی وضعیت میانی (فلش) باشد.

• مراقب نیروهای ناشی از گیر کردن باشید (به‌خصوص هنگام دریل کردن فلزات)؛ همیشه از دسته کمکی ل استفاده کنید و در وضعیت مطمئن باشید

### ملاحظات

• SKIL در صورتی که از ملاحظات اصلی استفاده کنید عملکرد بدون مشکل ابزار را تضمین می‌نماید

• ملاحظات باید فقط با سرعت های چرخش مجاز که معادل بالاترین سرعت بدون بار ابزار هستند به کار برده شوند

### بعد از استفاده

• وقتی که کار شما با تمام بار تمام شد، حتماً موتور آنرا خاموش کرده و مطمئن شوید که تمام بخشهای متحرک آن از حرکت ایستاده اند

### باتری‌ها

• باتری ارائه‌شده به‌طور کامل شارژ نیست (برای تضمین ظرفیت کامل باتری باید باتری را پیش از اولین استفاده از دستگاه به‌طور کامل با شارژر باتری شارژ کنید).

• تنها از باتری‌ها و شارژرهای زیر با این ابزار استفاده کنید  
- باتری SKIL (1000mAh) CR10000  
- شارژر SKIL (1000mAh) CR10000

• اگر باتری آسیب دیده است از آن استفاده نکنید؛ باید فوراً آن را عوض کنید

• باتری را از هم باز نکنید

• ابزار باتری نباید در معرض باران قرار داده شود

• دمای محیطی مجاز (ابزار/شارژر/باتری):  
- هنگام شارژ ۴-۶۰ درجه سانتیگراد  
- هنگام کار ۲۰-۵۰ درجه سانتیگراد  
- قرار دادن در محل نگهداری ۲۰-۵۰ درجه سانتیگراد

### شرح علائم و نمادهای ابزار/باتری

۱) پیش از کار حتماً دفترچه راهنما را مطالعه کنید

۲) اگر باتری‌ها در آتش انداخته شوند امکان انفجار آن‌ها وجود دارد. بنابراین هرگز و به هیچ دلیلی باتری را نسوزانید

۳) ابزار/شارژر/باتری را در مکانی نگه دارید که دمای آن از ۵۰- درجه سانتیگراد تجاوز نکند

۴) ابزار الکتریکی و باتری‌ها را نباید همراه با زباله‌های عادی خانگی دور انداخت

### استفاده

• شارژ کردن باتری  
! هشدارها و دستورالعمل‌های ارائه‌شده همراه شارژر را مطالعه کنید

• برداشتن/قرار دادن باتری ①  
• نشانگر شارژ باتری ②

• برای نمایش میزان معنی شارژ باتری ③ a) دکمه G را روی نشانگر شارژ باتری فشار دهید

• وقتی با فشار دادن دکمه b) V/G، نشانگر پایین‌ترین سطح باتری شروع به چشمک زدن می‌کند، باتری تخلیه شده است

! وقتی با فشار دادن دکمه c) V/G، سطح نشانگر باتری شروع به چشمک زدن می‌کند، باتری در محدوده دمای کاری مجاز نیست

• محافظت باتری  
ابزار در شرایط زیر ناگهان خاموش شده و یا روشن نمی‌شود

## مقدمه

- این ابزار برای دریل کاری چکشنی در بتن، آجر و سنگ و نیز دریل کاری چوب، فلزات، سرامیک و پلاستیک مناسب است؛ ابزارهای دارای سیستم الکترونیکی کنترل سرعت و انتخاب جهت چرخش چپ/راست به عنوان پیچ‌گوشته برقی و رزوه زن نیز قابل استفاده هستند
- سیستم چکش این ابزار در دریل کاری بتن بسیار بهتر از دریل های ضربه ای عادی عمل می کند
- این ابزار برای استفاده با کلیه متعلقات استاندارد SDS+ طراحی شده است
- این ابزار برای مصارف حرفه‌ای مناسب نیست
- اگر قطعاتی مفقود شده یا آسیب دیده اند، لطفاً با فروشنده خود تماس بگیرید
- لطفاً پیش از کار با دستگاه این دفترچه راهنما را با دقت مطالعه کنید و آن را برای استفاده آتی نگه دارید (۳)
- به دستورالعمل‌های ایمنی و هشدارها دقیقاً توجه کنید؛ عدم رعایت این هشدارها و دستورالعمل‌های می تواند به بروز جراحتهای شدید منجر شود

## اطلاعات فنی (۱)

### اجزای ابزار (۲)

- A انتخاب‌گر جهت چرخش (جلو/مرکز/قفل/معکوس)
- B کلید روشن/خاموش و کنترل دور
- C کلید انتخاب حالت کاری
- D ماسوره قفلی
- E چراغ DEL
- F شیارهای تویبه
- G دکمه نشانگر شارژ باتری
- H عمق سنج
- J دسته کمکی

## ایمنی

راهنمای‌های ایمنی عمومی برای ابزارهای الکتریکی

**⚠ هشدار!** تمامی هشدارهای ایمنی، دستورالعمل‌ها، تصاویر و مشخصات ارائه شده همراه با این ابزار برقی را مطالعه کنید. در صورت عدم رعایت هشدارهای زیر خطر برق‌گرفتگی، آتش سوزی و یا بروز جراحتهای شدید وجود دارد.

**همه هشدارها و راهنمایی‌ها را برای استفاده آتی نزد خود نگه دارید.**

در این هشدارها عبارت «ابزار برقی» به معنی ابزارهای الکتریکی فاقد باتری (با سیم برق) یا ابزارهای الکتریکی باتری‌دار (شارژی) است.

- ایمنی محل کار
- محیط کار باید تمیز و دارای روشنایی مناسب باشد. محیط کار نامرتب و کم نور می‌تواند باعث سوانح کاری شود.
- با ابزار الکتریکی در محیط‌هایی که در آن خطر انفجار وجود دارد، مانند محیط‌های حاوی مایعات، گازها و غبارهای محترقه، کار نکنید. ابزارهای الکتریکی جرقه‌هایی ایجاد می‌کنند که ممکن است غبارها یا بخارها را مشتعل کنند.
- در هنگام کار با ابزار الکتریکی، کودکان و اطرافیان را از محل کار دور نگاه دارید. حواس پرتی می‌تواند باعث شود کنترل وسیله را از دست بدهید.
- ایمنی الکتریکی
- دوشاخه‌های ابزار الکتریکی باید با پریز همخوانی داشته باشند. دوشاخه را هرگز و به هیچ صورتی تغییر ندهید. برای ابزار ارت‌شده (دارای سیم اتصال به زمین) از دوشاخه‌های تبدیلی استفاده نکنید. دوشاخه‌های بدون تغییر و پریزهای سازگار خطر برق‌گرفتگی را کاهش می‌دهند.
- اگر تماس بدنه با سطوح متصل به زمین یا ارت‌شده مانند لوله‌ها، رادیاتورها، اجاق گاز و یخچال اجتناب کنید. اگر بدن شما ارت شود یا به زمین متصل شود خطر برق‌گرفتگی افزایش می‌یابد.
- ابزار الکتریکی را در معرض باران یا در محیط‌های مرطوب قرار ندهید. نفوذ آب به ابزار الکتریکی، خطر برق‌گرفتگی را افزایش می‌دهد.
- به سیم آسیب نرسانید. هرگز از سیم برای حمل، کشیدن یا بیرون آوردن دوشاخه ابزار الکتریکی از پریز استفاده نکنید. سیم ابزار را از گرما، روغن، لبه های تیز و قطعات متحرک دور نگه دارید. سیم‌های آسیب‌دیده یا در هم پیچیده خطر برق‌گرفتگی را افزایش می‌دهند.

**ج) به هنگام کار با ابزار الکتریکی در محیط باز از کابل رابط مناسب برای محیط باز استفاده کنید.** استفاده از سیم مناسب برای استفاده در محیط باز خطر برق‌گرفتگی را کاهش می‌دهد.

**ح) اگر کار با ابزار الکتریکی در محیطی مرطوب اجتناب‌ناپذیر است، از یک کلید حفاظتی جریان خطا و نشستی زمین (کلید قطع‌کننده اتصال با زمین) استفاده کنید.** استفاده از کلید قطع‌کننده اتصال با زمین خطر برق‌گرفتگی را کاهش می‌دهد.

رعایت ایمنی اشخاص

**ا) هنگام کار با ابزار الکتریکی هشیار باشید. به کاری که می‌کنید دقت داشته باشید و از عقل سلیم خود استفاده کنید. به هنگام خستگی یا هنگام مصرف مواد، الکل یا دارو از ابزار الکتریکی استفاده نکنید. یک لحظه غفلت هنگام کار با ابزار الکتریکی می‌تواند سبب وارد آمدن جراحتهای شدید شود.**

**ب) از تجهیزات ایمنی شخصی استفاده کنید. همواره از عینک ایمنی استفاده کنید. استفاده از تجهیزات ایمنی نظیر ماسک تنفسی ضد گرد و غبار کفش‌های ایمنی ضد لغزش، کلاه ایمنی و گوشی ایمنی متناسب با نوع کار، خطر آسیب‌های احتمالی را کاهش می‌دهد.**

**ت) از روشن شدن ناخواسته ابزار جلوگیری کنید. پیش از اتصال به منبع برق و/یا بسته باتری، برداشتن یا حمل ابزار، اطمینان حاصل کنید که دکمه قطع و وصل در حالت خاموش قرار داشته باشد. در صورتیکه هنگام حمل دستگاه انگشت شما روی دکمه استارت باشد و یا اگر دستگاه را در حالت روشن به برق بزنید، ممکن است دچار سانحه شوید.**

**ث) پیش از روشن کردن ابزار الکتریکی، هرگونه کلید یا آچار تنظیم‌کننده را بردارید. آچار یا کلیدهایی که روی بخش‌های چرخنده ابزار الکتریکی قرار دارند، می‌توانند باعث ایجاد جراحته شوند.**

**ج) هنگام کار با ابزار بیش از اندازه بدن خود را نکشید و متمایل نشوید. در همه حال جای پای محکم داشته باشید و تعادل خود را حفظ کنید. به این ترتیب می‌توانید ابزار الکتریکی را در وضعیت‌های غیرمنتظره بهتر تحت کنترل داشته باشید.**

**ح) لباس مناسب بپوشید. از پوشیدن لباس‌های گشاد و شل یا زیورآلات خودداری کنید. مو و لباس خود را دور از قطعات متحرک نگاه دارید. احتمال گیر کردن لباس‌های گشاد، زیورآلات یا موی بلند در قطعات متحرک دستگاه وجود دارد.**

**خ) در صورتیکه می‌توانید وسایل مکش گرد و غبار و یا وسیله جذب زائده را به دستگاه نصب کنید، باید مطمئن شوید که این وسایل نصب و به شیوه‌ای درست استفاده می‌شوند. استفاده از وسایل مکش گرد و غبار می‌تواند خطرات مربوط به غبار را کاهش دهد.**

**د) اجازه ندهید آشنایی و تسلط حاصل از استفاده مکرر از ابزارها باعث شود حسن کنید لازم نیست وقت داشته باشید و قوانین ایمنی ابزار را نادیده بگیرید. یک عمل از روی بی‌قرمی می‌تواند در کسری از ثانیه موجب جراحته شدید شود.**

**۴) استفاده صحیح از ابزار الکتریکی و مراقبت از آن**

**ا) از وارد کردن فشار زیاد روی دستگاه خودداری کنید. بری هر کاری، از ابزار الکتریکی مناسب با آن استفاده کنید. به کار گرفتن ابزار الکتریکی مناسب باعث می‌شود بتوانید کار را بهتر و به شیوه‌ای ایمن‌تر و با سرعت طراحی‌شده برای آن انجام دهید.**

**ب) اگر ابزار با کلید روشن و خاموش نمی‌شود، از آن استفاده نکنید. ابزار الکتریکی‌ای که امکان روشن و خاموش کردن آن با کلید وجود ندارد، خطرناک است و باید تعمیر شود.**

**ت) قبل از هرگونه تنظیم، تعویض قطعات یا کنار گذاشتن دستگاه، دوشاخه را از برق بکشید و/یا اگر می‌توان باتری را جدا کرد. بسته باتری آن را خارج کنید. رعایت اقدامات ایمنی پیشگیرانه احتمال روشن شدن ناخواسته ابزار الکتریکی را کاهش می‌دهد.**

**ث) ابزار الکتریکی را در صورت عدم استفاده از دسترس کودکان دور نگه دارید و اجازه ندهید افراد نوارده و یا اشخاصی که این دفترچه راهنما را نخوانده‌اند، با این دستگاه کار کنند. قرار گرفتن ابزار الکتریکی در دست افراد نوارده و یا تجربه خطرناک است.**

**ج) از ابزار الکتریکی به خوبی نگهداری کنید. وجود نا میزانی یا اتصال میان اجزای متحرک، شکستگی قطعات و هرگونه وضعیت دیگری که ممکن است بر روی عملکرد ابزار الکتریکی تأثیر بگذارد را بررسی کنید. در صورت وجود آسیب، پیش از استفاده از ابزار آن را تعمیر کنید. بسیاری از اتفاقات به دلیل عدم نگهداری مناسب از ابزار الکتریکی روی می‌دهد.**

**ح) ابزار هرس را تیز و تمیز نگه دارید. ابزار هرسی که خوب مراقبت شده و دارای لبه‌های تیز هستند، کمتر در حفره کار گیر کرده و بهتر قابل هدایت می‌باشند.**

**خ) ابزار الکتریکی، متعلقات و دیگر لوازم جانبی آن را مطابق با دستورات این**

- الوميض عند الضغط على الزر (V) G: انتظر حتى عودة البطارية إلى نطاق درجة حرارة التشغيل المقبولة
- شحن البطارية بكاد يكون فارغاً (للحماية من التفريغ العميق للشحن) <<- يتم عرض مستوى الشحن المنخفض للبطارية أو يوميض مستوى شحن البطارية المنخفض (V) من خلال مؤشر شحن البطارية عند الضغط على الزر G: اشحن البطارية
- ! لا تستمر في الضغط على زر التشغيل/الإيقاف بعد توقف الآلة بشكل تلقائي: لأن البطارية قد تكون تالفة
- تغيير اتجاه الدوران (A)
- في حالة عدم الضغط كما ينبغي في الاتجاه الأيسر/الأيمن، لا يمكن تفعيل المفتاح B (T)
- ! لا تقم بتغيير اتجاه الدوران إلا بعد توقف حركة الآلة تماماً
- تركيب اللقم وخلعها (A) و (B) و (C)
- ! قم بتنظيف المحلح SDS، وتنشيمه قليلاً قبل إدخاله في موضعه
- قم بإدخال المحلح في الظرف SDS، بينما تديره وتدفعه إلى أن يتم تعشيقه، يتم قفل المحلح في موضعه تلقائياً
- قم بسحب المحلح للتحقق من قفله بشكل صحيح
- قم بإزالة المحلح من خلال سحب جلبة القفل للخلف D
- ! يتطلب محلح SDS، حرية الحركة والتي تتسبب في حدوث انحراف عند عدم وجود حُميل على الآلة، ومع ذلك، يقوم المحلح بالتمركز تلقائياً أثناء التشغيل بدون التأثير على دقة الثقب
- ! لا تستخدم لقمه جعلها تالف
- مفتاح دمج للتشغيل/الإيقاف (V) والتحكم في السرعة (H)
- يتحكم في السرعة من الصفر وحتى السرعة القصوى على نحو غير متدرج بالضغط أكثر أو أقل على المفتاح B
- خديد وضع التشغيل (C)
- أولاً، قم بتدوير المفتاح C إلى وضع التشغيل المطلوب حتى ينشيك وتسمع صوت القفل
- 1 = ثقب/ربط عادي
- 2 = ثقب بالطرق
- 3 = النحت باستخدام الإزميل الدوار
- 4 = النحت باستخدام الإزميل الثابت
- ! لا يجب خديد وضع التشغيل إلا عند إيقاف تشغيل الآلة وإزالة البطارية
- يتم تنشيط آلية الثقب المطرفي من خلال الضغط الخفيف على الآلة عندما تلامس لقمه الثقب قطعة العمل
- تستغرق آلية الثقب المطرفي وقتاً قصيراً للوصول إلى طاقة التأثير القصوى
- يمكن تحقيق أفضل نتائج ثقب مطرفي من خلال الضغط الخفيف على الآلة، ولن يتحسن أداء الثقب من خلال الضغط المفرط على الآلة
- النحت باستخدام الإزميل الثابت (T)
- ! احرص على إطفاء الآلة وخلع البطارية
- حدد وضع الإزميل "الدوار"
- ضع الإزميل في الوضع المطلوب
- حدد وضع الإزميل "الثابت"
- مصباح LED (L)
- يضيء مصباح LED E تلقائياً عند تنشيط المفتاح B
- ! عندما يبدأ مصباح العمل DEL في الوميض، يتم تنشيط خاصية حماية البطارية (انظر أعلاه)
- إمساك الآلة وتوجيهها (H)
- ! أثناء العمل، احرص دائماً على الإمساك بالآلة من مناطق المقبض رمادية اللون
- استخدم دائماً المقبض الإضافي L (يمكن ضبطه على النحو الموضح في الشكل) (H)
- احرص على عدم تغطية فتحات التهوية F (T)
- لا تضغط بشدة على الآلة، بل تركها تقوم بالعمل من أجليك
- ضبط عمق الثقب (W)
- مداخل س، ل، ح، و، ص، ن
- استخدم اللقم المناسبة (M)
- ! استخدم اللقم المشحونة فقط
- للثقب بلقم مثقاب ليست سريعة التثبيت SDS في الخشب والمعدن والبلاستيك، استخدم مهايئ (غير مرفق قياسياً) (M)
- ! قم بتنظيف المحلح SDS، وتنشيمه قليلاً قبل إدخاله في موضعه
- اسحب جلبة القفل للخلف D وأدخل المهايئ في ظرف SDS، بينما تقوم بتدويره ودفعه إلى أن يتم تعشيقه، يتم قفل المهايئ في موضعه تلقائياً

- قم بسحب المهايئ للتحقق من قفله بشكل صحيح
- قم بضغط الفتح C على الثقب العادي (يتم التنشيط عندما تكون الآلة قيد إيقاف التشغيل والمفتاح مقفل)
- عند ثقب معادن حديدية
- عند الحاجة لثقب فتحة كبيرة، قم بعمل ثقب خضيري بفتحة صغيرة
- قم بتثبيت لقمه الثقب من وقت لآخر بالزيت
- عند ربط مسمار/عندما تقرب من طرف قطع مستعرض أو حافة قطعة خشبية، قم بعمل ثقب مسبق لتجنب تشقق الخشب
- الثقب بدون شطابيا في الخشب (P)
- ثقب في الجدران بدون غبار (H)
- ثقب في الأسفل بدون غبار (T)
- ثقب في البلاط بدون الزلزال (R)
- لمزيد من المعلومات، زر موقعنا [www.skil.com](http://www.skil.com)

## الصيانة/الخدمة

- هذه الآلة غير معدة للاستخدام المهني
- احرص دائماً على نظافة الآلة (خاصة فتحات التهوية (F))
- ! أزل البطارية من الآلة قبل التنظيف
- إذا تعذر تشغيل الآلة على الرغم من الحذر الشديد في إجراءات التصنيع والاختبار، فيجب القيام بالإصلاحات بواسطة مركز خدمة ما بعد البيع للآلات العاملة بالطاقة الخاصة بشركة SKIL
- قم بإرسال الآلة دون تفكيكها بالإضافة إلى إثبات الشراء إلى البائع أو أقرب مركز خدمة SKIL (العناوين بالإضافة إلى مخطط الخدمة متاح على [www.skil.com](http://www.skil.com))
- كن على علم بأن التلف الناتج عن زيادة التحميل أو التعامل مع الآلة بطريقة خاطئة سيمنع استيعاده من الضمان (العرفة شروط ضمان SKIL انظر [www.skil.com](http://www.skil.com) أو قم بسؤال التاجر)

## البيئة

- لا تتخلص من الأدوات الكهربائية والبطاريات والملحقات ومواد التغليف مع النفايات المنزلية (لدول الاتحاد الأوروبي فقط)
- وفقاً للتوجيه الأوروبي 2012/19/EC الخاص بنفايات المعدات الكهربائية والإلكترونية، وتطبيقه بالتوافق مع القانون المحلي يجب جميع الأدوات الكهربائية منتهية الصلاحية بشكل منفصل وإرسالها إلى أحد منشآت إعادة التصنيع التوافقية مع البيئة
- سيزدرك الرمز (1) بهذا عند الحاجة إلى التخلص من أية آلة
- ! قبل التخلص من البطارية، قم بحماية أطراف توصيل البطارية بشرائط قوي لمنع حدوث دائرة قصر (قفل للدائرة)

## الضوضاء/الاهتزاز

- عند القياس بالتوافق مع المعيار EN12841، يكون مستوى ضغط صوت هذه الآلة هو ٤,٣٩ ديسيبل (A) ومستوى قوة الصوت هو ٤,٤٠١ ديسيبل (A) (نسبة الشكل 3 = K ديسيبل، والاهتزاز: (مجموع الكميات الموجهة ثلاثي المحاور: نسبة الشكل 3 = ١,٥ م/ثانية<sup>٢</sup>)
- \* عند الثقب المطرفي في الخرسانة ٢,١ م/ثانية<sup>٢</sup>
- \* عند تنفيذ أعمال الإزميل ٨,٢١ م/ثانية<sup>٢</sup>
- تم قياس مستويات الاهتزاز بالتوافق مع الاختبار المعياري المحدد في EN12841: يمكن استخدامه لمقارنة آلة بألة أخرى وكتقييم تمهيدي للتعرض للاهتزاز عند استخدام الآلة في التطبيقات الموضحة
- قد يؤدي استخدام الآلة في تطبيقات مختلفة أو مع ملحقات مختلفة أو ذات صيانة رديئة إلى زيادة مستوى التعرض بصورة كبيرة
- إن الفترة الزمنية التي يتم خلالها إيقاف تشغيل الآلة أو عندما تكون قيد التشغيل لكنها لا تؤدي أية مهام، قد تؤدي إلى تقليل مستوى التعرض بصورة كبيرة
- ! قم بحماية نفسك من تأثيرات الاهتزاز من خلال صيانة الآلة وملحقاتها، والحفاظ على بيك دافنتين وتنظيم أحمال العمل لديك

FA

في الاعتبار بظروف العمل والأعمال التي سيتم تنفيذها. قد يؤدي استخدام الآلة في أعمال غير تلك المخصصة لها إلى حوادث خطيرة.

د) احتفظ بالمفاتيح وأسطح الإمساك جافة ونظيفة وخالية من الزيوت والشحوم. لأن المفاتيح وأسطح الإمساك المنزقة لا تمسك القدرة على التعامل والتحكم الأيمن في الآلة في المواقف غير المتوقعة.

هـ) استخدام الآلة العاملة بالبطارية والعناية بها لا تعد شحن الآلة باستخدام الشاحن المجهز بواسطة الشركة الصانعة. فالشاحن الملائم لنوع من مجموعات البطارية قد يتسبب في نشوب حريق إذا تم استخدامه مع مجموعة بطارية أخرى.

ب) استخدم الآلات العاملة بالطاقة مع مجموعات البطاريات المخصصة لها فقط. لأن استخدام أي مجموعات بطارية أخرى قد يؤدي إلى التعرض لإصابات أو نشوب حريق.

ت) عند عدم استخدام مجموعة البطارية، احتفظ بها بعيداً عن الأغراض المعدنية الأخرى مثل مشابك الأوتار أو العملات المعدنية أو المفاتيح أو المسامير أو البراغي أو الأغراض المعدنية الصغيرة الأخرى التي قد تتسبب في عمل دائرة قصر (قفل للدائرة) بين أقطاب البطارية. عمل دائرة قصر (قفل الدائرة) بين أطراف البطارية قد يتسبب في حروق أو نشوب حريق.

ث) في حالات التعامل النسيء، قد يحدث ارتشاح للسوائل من البطارية: لا تلامسه. إذا حدثت ملامسة بشكل عرضي، فاغسلها بالماء. إذا لامس السائل العينين، فاطلب المساعدة الطبية على الفور. السائل المرتشح من البطارية قد يتسبب في حدوث التهاب في الجلد أو حروق.

ج) لا تستخدم مجموعة البطارية أو الآلة إذا كانا تالفين أو تم إدخال تعديلات عليهما. لأن البطاريات التالفة أو التي تم تعديلها قد تعمل بشكل غير متوقع، وهو ما قد يؤدي لنشوب حريق أو حدوث انفجار أو خطر التعرض لإصابة.

ح) لا تقم بتعرض مجموعة البطارية أو الآلة للحريق أو درجات الحرارة الزائدة. التعرض لدرجات الحرارة الأعلى من ٣١- درجة مئوية قد يؤدي حدوث انفجار.

خ) اتبع تعليمات الشحن ولا تشحن مجموعة البطارية أو الآلة في نطاق درجة حرارة خارج النطاق المحدد في التعليمات. قد يؤدي الشحن غير المضبوط أو في درجات حرارة خارج النطاق المسموح به إلى تلف البطارية وخطر نشوب حريق.

١) الصيانة  
أ) ينبغي إجراء الصيانة على الآلة بواسطة فني إصلاح متخصص باستخدام قطع غير أصلية مطابقة فقط. فهذا سيضمن المحافظة على سلامة الآلة.  
ب) لا تقم بصيانة مجموعات البطارية التالفة بأي حال من الأحوال، بل ينبغي أن تكون صيانة مجموعات البطارية من خلال الشركة الصانعة أو مقدمي الخدمة المعتمدين فقط.

#### تعليمات السلامة الخاصة بالمشقاب المطرقي اللاسلكي

- ارتد أدوات حماية الأذن. التعرض للضوضاء قد يؤدي لإضرار على السمع
- استخدم المقبض الإضافي (المفاتيح الإضافية) إذا كان مرفقاً مع الآلة. قد يؤدي فقد السيطرة على الآلة إلى إصابات شخصية
- أمسك بالآلة العاملة بالطاقة من أسطح الإمساك المعزولة، وذلك عند القيام بأعمال قد يتعرض ملحق القطع من خلالها إلى التلامس مع أسلاك غير ظاهرة (قد يتلامس ملحق القطع مع سلك تيار جارٍ، وهو ما يجعل الأجزاء المعدنية المكشوفة بالآلة "مكهربة" ويتسبب في إصابة مشغل الآلة بصدمة كهربائية)

#### تعليمات السلامة عند استخدام لقم الثقب الطويلة مع الحطار الدوارة

- احرص دائماً على بدء التشغيل عند سرعة منخفضة مع ملامسة حافة اللقمة للقطعة التي سيتم العمل عليها. فعند السرعات العالية، تميل اللقمة إلى الانفناء إذا تم تركها تدور في الهواء دون ملامسة القطعة التي سيتم العمل عليها، وهو ما قد يؤدي إلى وقوع إصابات شخصية.
- يكون تطبيق الضغط في خط مستقيم باستخدام اللقمة، مع مراعاة عدم تطبيق ضغط زائد من الحد. قد تنتهي اللقم، وهو ما قد يؤدي لانكسارها أو فقد السيطرة عليها، وبالتالي قد تقع إصابات شخصية.

#### عام

- لا تستخدم المشقار على مواد تشتمل على الألبستوس (يعتبر الألبستوس مادة مسرطنة)
- لا يجب استخدام هذه الآلة من قبل الأشخاص الذين يقل عمرهم عن ١٦ عاماً
- الغبار الناتج من المواد كالتفاله الذي يحتوي على رصاص وبعض أنواع الأخشاب والعدان والمكونات المعدنية قد يكون ضاراً (ملامسة أو استنشاق الغبار قد تتسبب في إصابة المشغل أو من يجاوره بأمراض الحساسية) وألأ أمراض الجهاز التنفسي: قم بإرتداء قناع للغبار مع العمل باستخدام جهاز شفط للغبار، طالما أمكن توصيله

- ثمة أنواع معينة من الغبار تصنف على أنها مواد مسببة للسرطان (مثل غبار خشب البلوط والزان)، خاصة عند استخدامها مع مواد مضافة لمعالجة الخشب. قم بإرتداء قناع للغبار مع العمل باستخدام جهاز شفط للغبار، طالما أمكن توصيله

• التزم بالمتطلبات الوطنية الخاصة بالغبار عند العمل باستخدام المواد المطلوبة للاستخدام

• لتجنب التلف الذي قد يتسبب فيه البراغي والمسامير والعناصر الأخرى الموجودة في القطعة التي تعمل بها، قم بفكهم قبل بدء العمل.

• ثبت قطعة العمل (القطعة التي يتم تثبيتها بمعدات تثبيت أو في منجلة تكون ثابتة بشكل أكثر أمناً عن إمساكها باليد)

• استخدم كاشفات ملائمة للعثور على خط المرافق الخفي أو اطلب شركة المرافق المحلية للحصول على مساعدة (التلامس مع خطوط إمداد الكهرباء قد يؤدي إلى حدوث حريق أو صدمة كهربائية؛ وتلف خط الغاز قد يؤدي إلى حدوث انفجار؛ واختراق أنابيب المياه سيتسبب في حدوث ضرر في الممتلكات أو صدمة كهربائية)

• تأكد من أن حديد اتجاه الدوران B ٢ في الوضع الأوسط (وضع القفل) قبل إجراء أي تعديلات أو تغيير للمحركات، وكذا عند حمل الآلة أو تخزينها.

• اتبهِ على القوى التي تحدث كنتيجة للانحسار (خاصة عند ثقب المعدن)؛ احرص دائماً على استخدام المقبض الإضافي في واتخذ وضع وقوف ثابت

#### المحركات

• تضمن SKIL التشغيل السلس للآلة عند استخدام المحركات الأصلية فقط.

• استخدم فقط المحركات بالسرعة المسموح بها، والتي توافَق على الأقل أعلى سرعة للآلة بدون حمل

#### بعد الاستخدام

• عند وضع الآلة جانباً، أوقف تشغيل المحرك وتأكد من توقف جميع الأجزاء المتحركة بشكل تام.

#### البطاريات

• البطارية المرفقة مشحونة جزئياً لضمان الحصول على كامل طاقة البطارية. قم بشحن البطارية بالكامل من خلال الشاحن قبل استخدام الآلة للمرة الأولى.

• استخدم البطاريات والشواحن التالية فقط مع هذه الآلة

- بطارية (١٠BR)٠٠٠٠٠٠٠٠ SKIL
- شاحن (١٠CR)٠٠٠٠٠٠٠٠ SKIL

• لا تستخدم البطارية إذا تعرضت للتلف؛ ويجب استبدالها على الفور

• لا تقم بتفكيك البطارية بنفسك

• لا تقم بتعرض الآلة/البطارية للمطر

• درجة الحرارة المحيطة المسموح بها (الآلة/الشاحن/البطارية):

- أثناء الشحن ٤ إلى ٤٠ درجة مئوية
- أثناء التشغيل ٢٠- إلى ٥٠ درجة مئوية
- أثناء التخزين ٢٠- إلى ٥٠ درجة مئوية

#### شرح الرموز الموجودة على الآلة/البطارية

٢) اقرأ دليل التعليمات قبل الاستخدام

٤) قد تنفجر البطاريات عندما تتعرض للتلار، لذا لا خرق البطارية لأي سبب

٥) قم بتخزين الآلة/الشاحن/البطارية في أماكن لا تتجاوز درجة الحرارة فيها ٥٠ درجة مئوية

١) لا تنخلص من الآلات الكهربائية والبطاريات مع النفايات المنزلية

#### الاستخدام

• شحن البطارية

! اقرأ حذيرات وتعليمات السلامة المرفقة مع الشاحن

• خلع التركيب البطارية ١

• مؤشر شحن البطارية ٢

• اضغط على زر مؤشر شحن البطارية G لتعرض مستوى شحن البطارية الحالي

• a

• عند بدء مستوى الحد الأدنى لمؤشر البطارية في الويمض بعد الضغط على الزر G/b، فهذا معناه أن البطارية فارغة الشحن

! عند بدء مستويين من مؤشر البطارية في الويمض بعد الضغط على الزر G/c، فهذا معناه أن البطارية ليست في نطاق درجة حرارة التشغيل المسموح بها

• حماية البطارية

• تتوقف الآلة عن العمل بشكل مفاجئ أو لا يمكن تشغيلها في الحالات التالية

- الحمل زائد للغاية -> تخلى من الحمل وأعد التشغيل

- درجة حرارة البطارية ليست في نطاق درجة حرارة التشغيل المقبولة وهو ٢٠- إلى ٥٠ درجة مئوية -> تبدأ مستويات مؤشر شحن البطارية في

## شرف نودب قي كل سال ال ا قراودل ا قرطومل ا ٣٨٥١

### قمدقم

- تم تصميم هذه الآلة لنقب الخرسانة والطوب والأحجار بالطريقة. بالإضافة إلى نقب الأخشاب والمعادن والسيراميك والبلاستيك. كما تعد الآلات المزودة بتحكم إلكتروني في السرعة وإمكانية تغيير اتجاه الدوران لليمين/ليسار مناسبة لربط البراغي وعمل السن الملولب
- يفوق أداء نظام النقب بالطرق الموجود في هذه الآلة أي منفاث تقليدي مزود بسفالة عند نقب الخرسانة
- تم تصميم هذه الآلة للاستخدام مع جميع ملحقات SDS+ المعيارية
- هذه الآلة غير معدة للاستخدام المهني
- إذا كانت هناك أجزاء مفقودة أو تالفة، يُرجى الاتصال بالوكيل
- أقرأ دليل التعليمات بعناية قبل بدء الاستخدام، واحتفظ به للرجوع إليه في المستقبل (٢)
- انتبه بشكل خاص إلى تعليمات وحذيرات السلامة: فقد يؤدي الإخفاق في الالتزام بهذه التعليمات إلى التعرض لإصابة خطيرة

### البيانات الفنية ١

#### مكونات الآلة ٢

- |   |   |
|---|---|
| A | محدد اتجاه الدوران (للأمام/الخلف/الوسط) |
| B | مفتاح للتشغيل/الإيقاف والتحكم في السرعة |
| C | مفتاح لتحديد وضع التشغيل                |
| D | حلبة القفل                              |
| E | مصباح DEL                               |
| F | فتحات التهوية                           |
| G | زر مؤشر شحن البطارية                    |
| H | مقياس العمق                             |
| J | مقبض إضافي                              |

### السلامة

حذيرات السلامة العامة المتعلقة بالآلة العاملة بالطاقة  
 حذير أقرأ جميع حذيرات السلامة والتعليمات والرسوم التوضيحية والمواصفات المرفقة مع هذه الآلة. عدم اتباع جميع التعليمات الواردة أدناه قد يؤدي إلى حدوث صدمة كهربائية أو نشوب حريق أو التعرض للإصابة. أحمدها أو جميعها.

احتفظ بجميع التحذيرات والتعليمات للرجوع إليها في المستقبل.

يشير مصطلح "آلة عاملة بالطاقة" في قسم التحذيرات إلى الآلة العاملة بالطاقة (الموصولة بسلك تيار) أو الآلة العاملة بالبطارية (غير الموصولة بسلك تيار).

- 1) سلامة منطقة العمل
- أ) حافظ على منطقة العمل نظيفة ومضاءة جيداً، حيث عادة ما تتسبب المناطق الظلمة أو التي بها ركام أي وقوع حوادث.
- ب) لا تقم بتشغيل الآلات العاملة بالطاقة في أجواء قابلة للانفجار. على سبيل المثال في وجود سوائل أو غازات أو غبار قابلة للاشتعال. فقد تتسبب الآلات العاملة بالطاقة في صدور شرارة، والتي قد تتسبب في اشتعال الغبار أو الأبخرة القابلة للاشتعال.
- ت) احتفظ بالأطفال والآباء المشاهدين بعيداً عن موقع استعمال الآلة العاملة بالطاقة حيث أن الإلهاءات قد تجعلك تفقد السيطرة على الآلة.
- ٢) السلامة الكهربائية
- أ) ينبغي أن يتوافق قاييس الآلة العاملة بالطاقة مع مقياس التيار. لا يجب إدخال تعديلات على القاييس بأي حال من الأحوال. لا تستخدم أي قوابس مهايئة مع الآلات العاملة بالطاقة المؤرضة. ستؤدي القوابس غير المعدّنة والمقاييس المتوافقة إلى الحد من خطر حدوث صدمة كهربائية.
- ب) تجنب ملامسة الجسم لأسطح مؤرضة مثل الأنابيب والمشعاع والمواد والنلاجات. هناك خطر منزاح حدوث صدمة كهربائية إذا كان جسمك مؤرضاً.
- ت) لا تقم بتعرض الآلة العاملة بالطاقة للمطر أو الأجواء الرطبة. حيث سيؤدي

الماء الذي يدخل إلى الآلة العاملة بالطاقة إلى زيادة خطر حدوث صدمة كهربائية. لا تعيب بسلك التيار لا تقم أبداً باستخدام سلك التيار لحمل الآلة العاملة بالطاقة أو سحبها أو فصلها عن التيار. احتفظ بالسلك بعيداً عن مصادر الحرارة أو الزيت أو الجواف الحادة أو الأجزاء المتحركة. تُوذي أسلاك التيار التالفة أو المتشابكة إلى زيادة خطر حدوث صدمة كهربائية.

ج) وتقوم بجراخ النك من قواطع قلماع قلأ ليغشث من ع  
 ة) مآلم لئلس مآرختسآ. جآرآل مآرختسآل مآلم مآرختسآ لئلس مآرختسآ. فيآبرك فمض شوح رطخ نم حآ جآرآل مآرختسآل  
 ج) إذا كان لابد من تشغيل الآلة في مكان رطب، فاستخدم مصدر تيار محمي بقاطع تيار متبقي (DCR). يؤدي استخدام قاطع التيار المتبقي إلى الحد من خطر حدوث صدمة كهربائية.

٣) السلامة الشخصية  
 أ) ابق متنبهاً. وانتبه جيداً لما تفعله، وكن عقلانياً عند تشغيل آلة تعمل بالطاقة. لا تستخدم أداة آلة بالطاقة وأنت مجهد أو تحت تأثير المخدرات أو الكحوليات أو الأدوية. قد تؤدي لحظة من عدم الانتباه أثناء تشغيل الآلات العاملة بالطاقة إلى حدوث إصابات شخصية خطيرة.

ب) استعن بمعدات الحماية الشخصية. ارتد دائماً أدوات حماية للعينين. سيؤدي استخدام أدوات الحماية كخناع الغبار أو أذنية السلامة المضادة للانزلاق أو القبعة الصلبة أو أدوات حماية السمع في ظروف مناسبة إلى الحماية من الإصابات الشخصية.

ت) امنع بدء تشغيل الآلة غير المتعمد. احرص على أن يكون مفتاح الطاقة في وضع الإيقاف قبل توصيل الآلة بمصدر التيار أو مجموعة البطاريات. أو التناظ الآلة أو حملها. قد تتسبب حمل الآلات العاملة بالطاقة وإصبعك على مفتاح التشغيل أو سحبها ومفتاح التشغيل على وضع التشغيل في وقوع حوادث.

ث) أزل أي مفتاح تعديل أو مفتاح ربط قبل تشغيل الآلة العاملة بالطاقة. قد يؤدي ترك مفتاح ربط أو مفتاح عادي مركباً على جزء دوار بالآلة العاملة بالطاقة إلى وقوع إصابات شخصية.

ج) لا تقف في مكان تضطر لمديك بعيداً؛ قف وأنت ثابت ومتوازن في جميع الأوقات. وهو ما يسمح بتحكم أفضل في الآلة العاملة بالطاقة في الظروف غير المتوقعة.

ح) ارتد الملابس اللاتمة. لا ترتد ملابس أو مجوهرات غير ثابتة. احتفظ بشعرك وملابسك بعيداً عن الأجزاء المتحركة. قد تعلق الملابس المفضاضة أو المجوهرات أو الشعر الطويل في الأجزاء المتحركة.

خ) إذا تم تقديم أجهزة خاصة بتوصيل أدوات استخراج وجمع الغبار، فاحرص على توصيلها واستخدامها على النحو اللازم. قد يؤدي استخدام جمع الغبار إلى الحد من المخاطر المرتبطة به.

د) لا تدع الحجرة المتكسبة من الاستخدام المتكرر للآلات يجعلك تتعامل دون الانتباه اللازم وتجاهل مبادئ السلامة المتعلقة بالآلة. فقد تتسبب أي إجراء غير مدروس في إصابات خطيرة في جزء من الثانية.

٤) استخدام الآلة العاملة بالطاقة والعناية بها  
 أ) لا تجبر الآلة العاملة بالطاقة على أعمال تفوق قدرتها. استخدم الآلة العاملة بالطاقة للملازمة لأعمالك ستقوم الآلة العاملة بالطاقة للملازمة بأداء أعمالك بشكل أفضل وأكثر أمناً بالمعدل الذي أعدت له.

ب) لا تستخدم الآلة العاملة بالطاقة إذا كان مفتاح التشغيل لا يمكن نقله إلى وضع التشغيل أو وضع الإيقاف. أي أنه عاملة بالطاقة لا يمكن التحكم فيها بمفتاح التشغيل تعتبر خطيرة وينبغي إصلاحها.

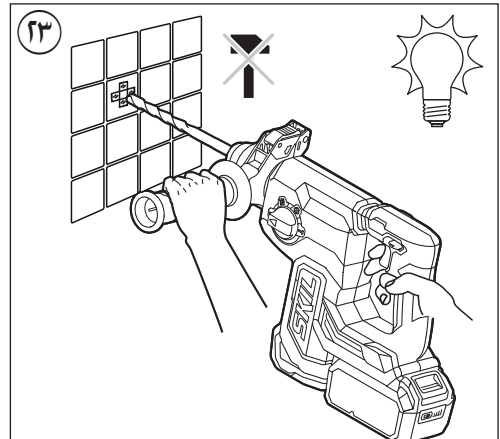
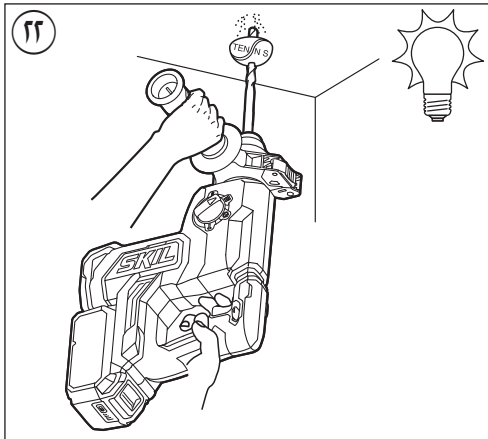
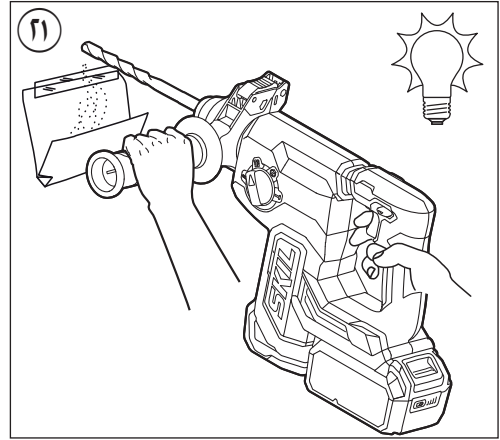
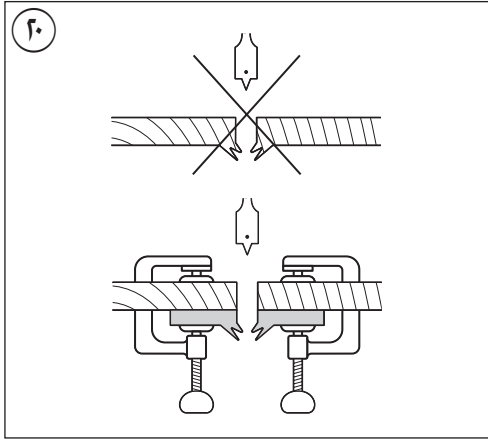
ت) أفضل القاييس من مصدر التيار وأو اخلع مجموعة البطاريات إذا كانت قابلة للخلع- من الآلة العاملة بالطاقة قبل إجراء أي تعديلات أو تغيير ملحقات أو تخزين الآلات العاملة بالطاقة. إجراءات السلامة الوقائية هذه قد من خطر تشغيل الآلة العاملة بالطاقة بشكل خاطئ.

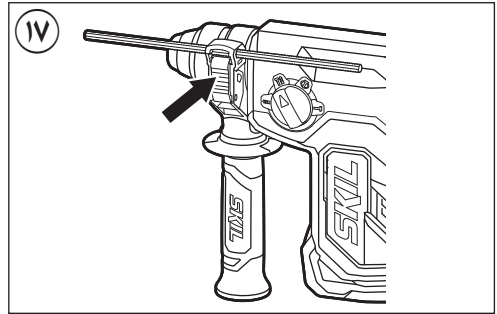
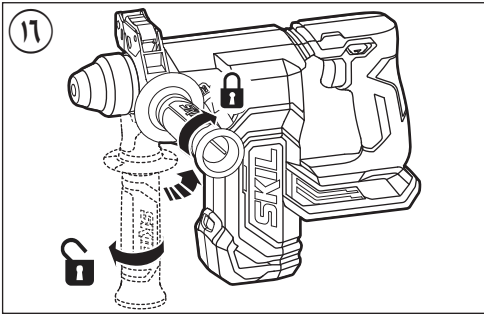
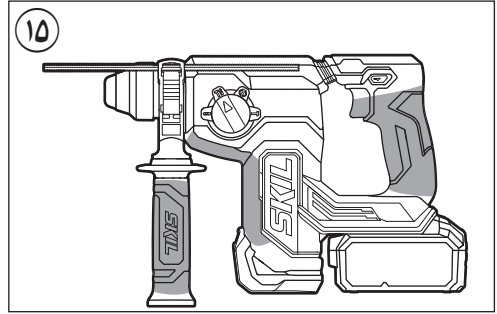
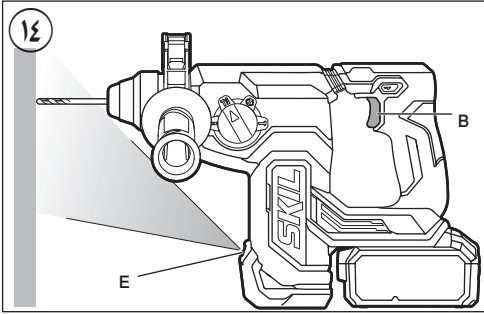
ث) خزن الآلات العاملة بالطاقة غير المستخدمة بعيداً عن متناول أيدي الأطفال ولا تسمح للأشخاص غير المختارين على استخدام الآلات العاملة بالطاقة أو على هذه التعليمات بتشغيل الآلة. الآلات العاملة بالطاقة تكون خطيرة في أيدي الأشخاص غير المدربين.

ج) حافظ على الآلات العاملة بالطاقة والملحقات. تحقق من عدم محاذاة الأجزاء المتحركة أو ربطها. أو وجود كسور في الأجزاء. أو أي حالة أخرى قد تؤثر على عمل الآلة. إذا كان هناك تلف، فقم بإصلاح الآلة العاملة بالطاقة قبل استخدامها. فالعديد من الحوادث يكون سببها الآلات التي لم تتم صيانتها.

ح) احتفظ بالأدوات القاطعة حادة ونظيفة. الأدوات القاطعة التي تتم صيانتها كما ينبغي للاحتفاظ بحوافها القاطعة حادة تكون أقل عرضة للانحاف وسهل التحكم فيها.

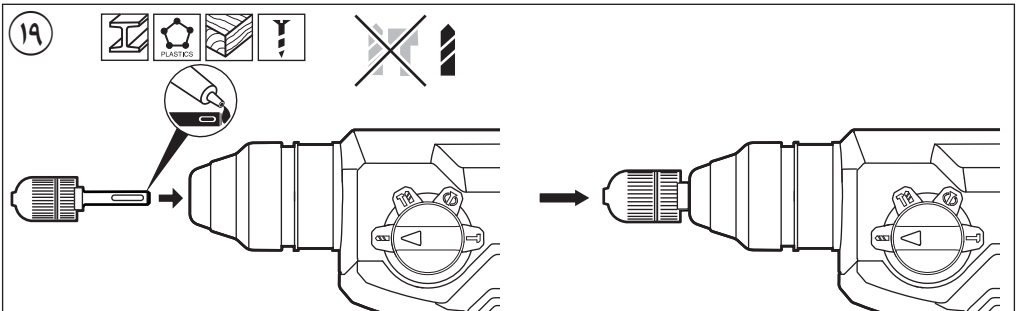
خ) استخدم الآلة والملحقات والنمق وما شابههم وفقاً لهذه التعليمات. مع الأخذ



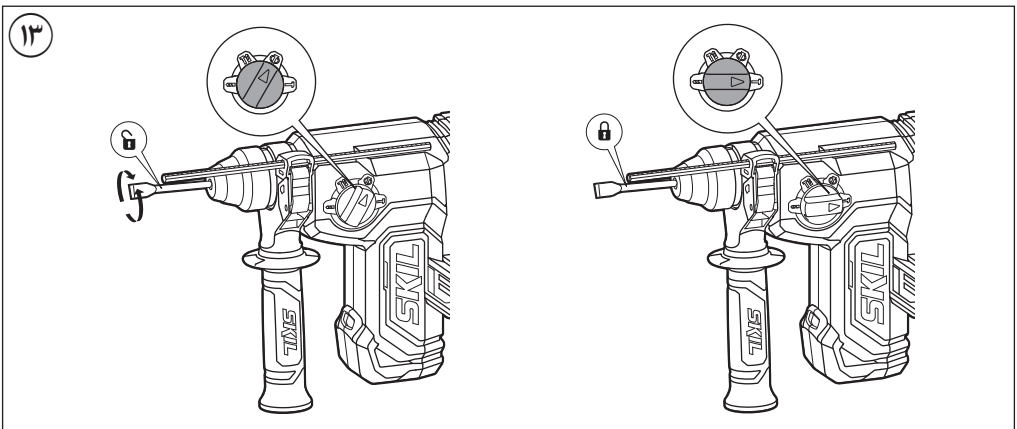
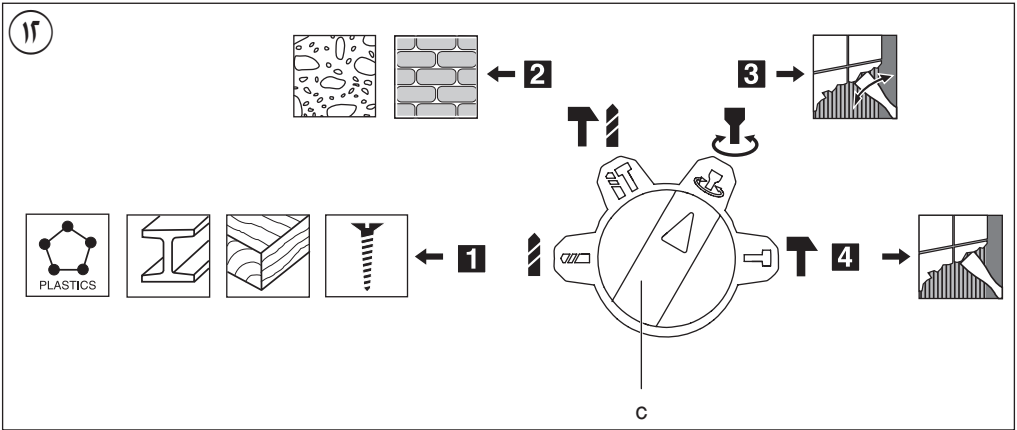
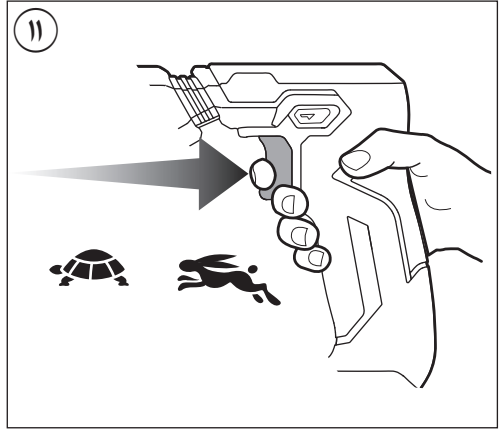
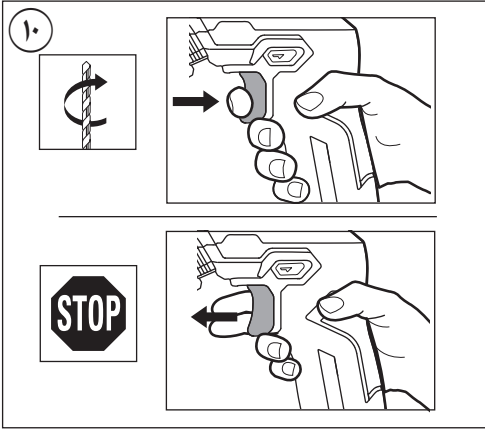


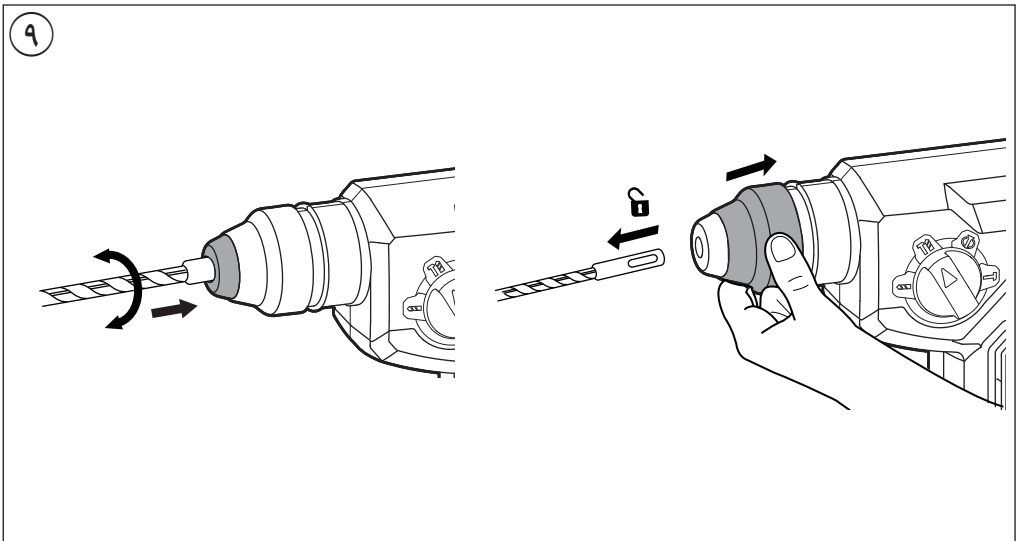
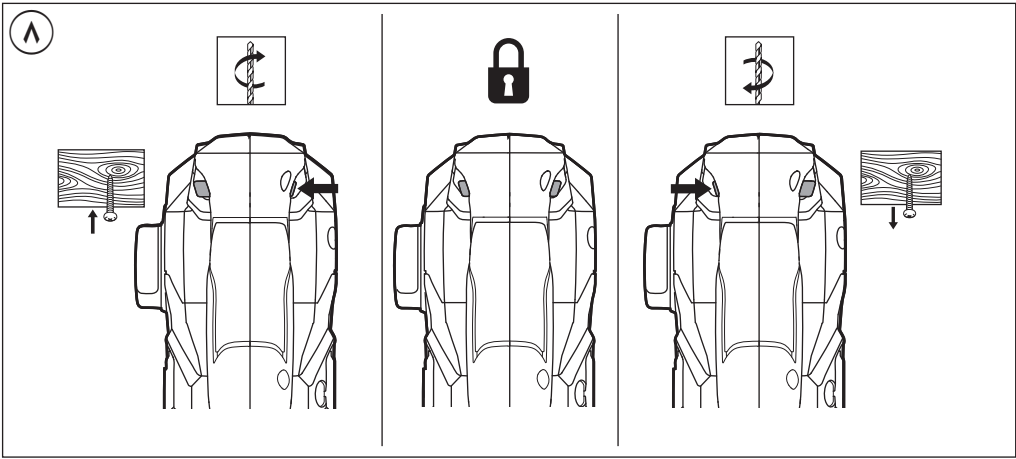
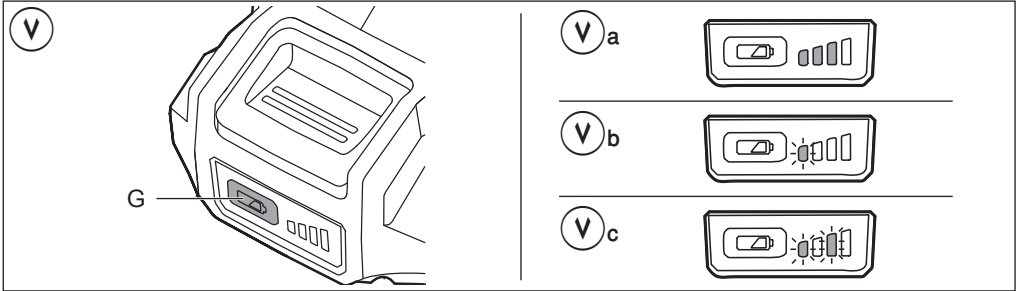
18

			HSS			PHILLIPS
						POZIDRIV
						SLOTTED



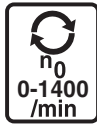
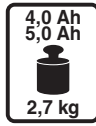
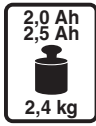
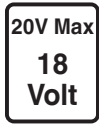




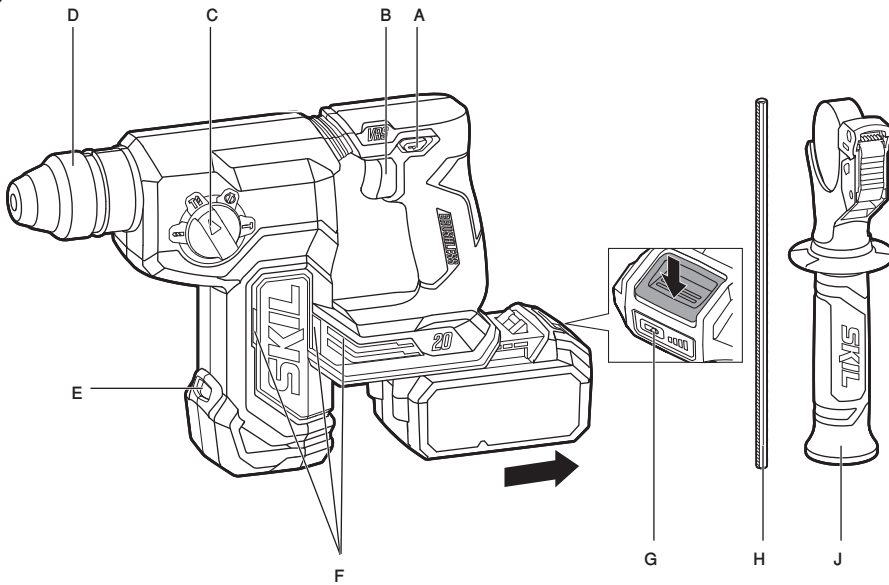


1

3851



2



3



4



5

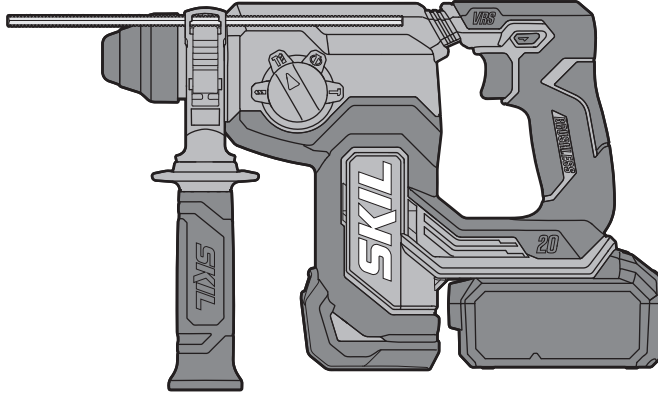


6



المطرقة الدوارة اللاسلكية بدون فرش  
3851

**SKIL®**



دليل الاستعمال  
راهنماي اصلي

AR

FA

