

GB	ORIGINAL INSTRUCTIONS	6	GR	ΠΡΩΤΟΤΥΠΟ ΟΔΗΓΙΩΝ ΧΡΗΣΗΣ	77
F	NOTICE ORIGINALE	9	RO	INSTRUCȚIUNI DE FOLOSIRE ORIGINALE	82
D	ORIGINALBETRIEBSANLEITUNG	14	BG	ОРИГИНАЛНО РЪКОВОДСТВО ЗА ЕКСПЛОАТАЦИЯ	87
NL	ORIGINELE GEBRUIKSAANWIJZING	19	SK	PŔOVODNÝ NÁVOD NA POUŽITIE	92
S	BRUKSANVISNING I ORIGINAL	24	HR	ORIGINALNE UPUTE ZA RAD	97
DK	ORIGINAL BRUGSANVISNING	28	SRB	ORIGINALNO UPUTSTVO ZA RAD	101
N	ORIGINAL BRUKSANVISNING	32	SLO	IZVIRNA NAVODILA	105
FIN	ALKUPERÄISET OHJEET	36	EST	ALGUPÄRANE KASUTUSJUHEND	109
E	MANUAL ORIGINAL	40	LV	ORIĢINĀLĀ LIETOŠANAS PAMĀCĪBA	113
P	MANUAL ORIGINAL	45	LT	ORIGINALI INSTRUKCIJA	118
I	ISTRUZIONI ORIGINALI	50	MK	ИЗБОРНО УПАТСТВО ЗА РАБОТА	122
H	EREDETI HASZNÁLATI UTASÍTÁS	54	AL	UDHËZIMET ORIGINALE	127
CZ	PŔVODNÍM NÁVODEM K POUŽÍVÁNÍ	59	AR	دليل الاستعمال	141
TR	ORİJİNAL İŞLETME TALİMATI	63	FA	راهنمای اصلی	138
PL	INSTRUKCJA ORYGINALNA	67			
UA	ОРИГІНАЛЬНА ІНСТРУКЦІЯ З ЕКСПЛУАТАЦІЇ	72			



GB	EU Declaration of conformity		We declare under our sole responsibility that the stated products comply with all applicable provisions of the directives and regulations listed below and are in conformity with the following standards.
	Polisher	Article number	Technical file at:*
F	Déclaration de conformité UE		Nous déclarons sous notre propre responsabilité que les produits décrits sont en conformité avec les directives, règlements normatifs et normes énumérés ci-dessous. Dossier technique auprès de:*
	Polisseuse	Numéro d'article	
D	EU-Konformitätserklärung		Wir erklären in alleiniger Verantwortung, dass die genannten Produkte allen einschlägigen Bestimmungen der nachfolgend aufgeführten Richtlinien und Verordnungen entsprechen und mit folgenden Normen übereinstimmen. Technische Unterlagen bei:*
	Polierer	Sachnummer	
NL	EU-conformiteitsverklaring		Wij verklaren op eigen verantwoordelijkheid dat de genoemde producten voldoen aan alle desbetreffende bepalingen van de hierna genoemde richtlijnen en verordeningen en overeenstemmen met de volgende normen. Technisch dossier bij:*
	Polijstmachine	Productnummer	
S	EU-konformitetsförklaring		Vi förklarar under eget ansvar att de nämnda produkterna uppfyller kraven i alla gällande bestämmelser i de nedan angivna direktiven och förordningarna och att de stämmer överens med följande normer. Teknisk dokumentation:*
	Poleringsmaskin	Produktnummer	
DK	EU-overensstemmelseserklæring		Vi erklærer som eneansvarlige, at det beskrevne produkt er i overensstemmelse med alle gældende bestemmelser i følgende direktiver og forordninger og opfylder følgende standarder. Tekniske bilag ved:*
	Poleremaskine	Typenummer	
N	EU-samsvarserklæring		Vi erklærer under eneansvar at de nevnte produktene er i overensstemmelse med alle relevante bestemmelser i direktivene og forordningene nedenfor og med følgende standarder. Teknisk dokumentasjon hos:*
	Poleringsmaskin	Produktnummer	
FIN	EU-vaatimustenmukaisuusvakuutus		Vakuutamme täten, että mainitut tuotteet vastaavat kaikkia seuraavien direktiivien ja asetusten asiaankuuluvia vaatimuksia ja ovat seuraavien standardien vaatimusten mukaisia. Tekniset asiakirjat saatavana:*
	Kiillotin	Tuotenumero	
E	Declaración de conformidad UE		Declaramos bajo nuestra exclusiva responsabilidad, que los productos nombrados cumplen con todas las disposiciones correspondientes de las directivas y los reglamentos mencionados a continuación y están en conformidad con las siguientes normas. Documentos técnicos de:*
	Pulidora	Número de artículo	
P	Declaração de conformidade CE		Declaramos sob nossa exclusiva responsabilidade que os produtos mencionados cumprem todas as disposições e os regulamentos indicados e estão em conformidade com as seguintes normas. Documentação técnica pertencente a:*
	Máquina de polir	Número do produto	
I	Dichiarazione di conformità UE		Dichiariamo sotto la nostra piena responsabilità che i prodotti indicati sono conformi a tutte le disposizioni pertinenti delle direttive e dei regolamenti elencati di seguito, nonché alle seguenti normative. Documentazione tecnica presso:*
	Lucidatrice	Codice prodotto	
H	EU konformitási nyilatkozat		Egyedüli felelőséggel kijelentjük, hogy a megnevezett termékek megfelelnek az alábbiakban felsorolásra kerülő irányelvek és rendeletek valamennyi idevágó előírásainak és megfelelnek a következő szabványoknak. Műszaki dokumentumok megőrzési pontja:*
	Polírozó	Cikkszám	
CZ	EU prohlášení o shodě		Prohlašujeme na výhradní zodpovědnost, že uvedený výrobek splňuje všechna příslušná ustanovení níže uvedených směrnic a nařízení a je v souladu s následujícími normami. Technické podklady u:*
	Leštička	Objednací číslo	
TR	AB Uygunluk beyanı		Tek sorumlu olarak, tanınlan ürünün aşağıdaki yönetmelik ve direktiflerin geçerli bütün hükümlerine ve aşağıdaki standartlara uygun olduğunu beyan ederiz. Teknik belgelerin bulunduğu yer:*
	Cila makinesi	Ürün kodu	
PL	Deklaracja zgodności UE		Oświadczamy z pełną odpowiedzialnością, że niniejsze produkty odpowiadają wszystkim wymaganiom poniżej wyszczególnionych dyrektyw i rozporządzeń, oraz że są zgodne z następującymi normami. Dokumentacja techniczna:*
	Maszyny do polerowania	Numer katalogowy	
RU	Заявление о соответствии ЕС		Мы заявляем под нашу единоличную ответственность, что названные продукты соответствуют всем действующим предписаниям нижеуказанных директив и распоряжений, а также нижеуказанных норм. Техническая документация хранится у:*
	Полировальная машина	Товарный номер	
UA	Заява про відповідність ЄС		Мизявляємо під нашу одноособову відповідальність, що названі вироби відповідають усім чинним положенням нищезначених директив і розпоряджень, а також нижчезначеним нормам. Технічна документація зберігається у:*
	Полірувальна машина	Товарний номер	

GR	Δήλωση πιστότητας ΕΕ		Δηλώνουμε με αποκλειστική μας ευθύνη, ότι τα αναφερόμενα προϊόντα αντιστοιχούν σε όλες τις σχετικές διατάξεις των πιο κάτω αναφερόμενων οδηγιών και κανονισμών και ταυτίζονται με τα ακόλουθα πρότυπα. Τεχνικά έγγραφα στη:*
RO	Declarație de conformitate UE	Αριθμός ευρετηρίου	Declaram pe proprie răspundere că produsele menționate corespund tuturor dispozițiilor relevante ale directivei și reglementărilor enumerate în cele ce urmează și sunt în conformitate cu următoarele standarde. Documentație tehnică la:*
BG	ЕС декларация за съответствие	Каталожен номер	С пълна отговорност ние декларираме, че посочените продукти отговарят на всички валидни изисквания на директивите и разпоредбите по-долу и съответства на следните стандарти. Техническа документация при:*
SK	EU vyhlásenie o zhode	Vecné číslo	Vyhlasujeme na výhradnú zodpovednosť, že uvedený výrobok spĺňa všetky príslušné ustanovenia nižšie uvedených smerníc a nariadení a je v súlade s nasledujúcimi normami. Technické podklady má spoločnosť:*
HR	EU izjava o skladnosti	Kataloški broj	Pod punom odgovornošću izjavljujemo da navedeni proizvodi odgovaraju svim relevantnim odredbama direktiva i propisima navedenima u nastavku i da su skladni sa sljedećim normama. Tehnička dokumentacija se može dobiti kod:*
SRB	EU-izjava o usaglašenosti	Broj predmeta	Na sopstvenu odgovornost izjavljujemo, da navedeni proizvodi odgovaraju svim dotičnim odredbama naknadno navedenih smernica u uredaba i da su u skladu sa sledećim standardima. Tehnička dokumentacija kod:*
SLO	Izjava o skladnosti ES	Številka artikla	Izjavljamo pod izključno odgovornostjo, da je omenjen izdelek v skladu z vsemi relevantnimi določili direktiv in uredb ter ustreza naslednjim standardom. Tehnična dokumentacija pri:*
EST	EL-vastavusdeklaratsioon	Tootenumber	Kinnitame ainuvastutajatena, et nimetatud tooted vastavad järgnevalt loetletud direktiivide ja määruste kõiki dele asjaomastele nõuetele ja on kooskõlas järgmiste normidega. Tehnilised dokumendid saadaval:*
LV	Deklarācija par atbilstību EK standartiem	Izstrādājuma numurs	Mēs ar pilnu atbildību paziņojam, ka šeit aplūkoti izstrādājumi atbilst visiem tālāk minētajās direktīvās un rīkojumos ietvertajām saistošajām nostādņēm, kā arī sekojošiem standartiem. Tehniskā dokumentācija no:*
LT	ES atitikties deklaracija	Gaminio numeris	Atsakingai pareiškiame, kad išvardyti gaminiai atitinka visus privalomus žemiau nurodytų direktyvų ir reglamentų reikalavimus ir šiuos standartus. Techninė dokumentacija saugoma:*
MK	EU-Изјава за сообразност	Број на артикл	Со целосна одговорност изјавуваме, дека опишаните производи се во согласност со сите релевантни одредби на следните регулативи и прописи и се во согласност со следните норми. Техничка документација кај:*
AL	EU Deklarata e konformitetit	Numri i nenit	Ne deklarojmë me përgjegjësinë tonë të vetme se produktet e paraqitura janë në përputhje me të gjitha dispozitatet e zbatueshme të direktivave dhe rregulloreve të listuara më poshtë dhe janë në përputhje me standardet si më poshtë. Dosja teknike në:*
9955	F0159955..		2006/42/EC EN 60745-1:2009 + A11:2010 2014/30/EU EN 60745-2-3:2011 + A2:2013 + A11:2014 + A12:2014 +A13:2015 2011/65/EU EN 55014-1:2006 + A1:2009 + A2:2011 EN 55014-2:2015 EN 61000-3-2:2014 EN 61000-3-3:2013 EN 50581:2012
			 * Skil BV Konijnenberg 62 4825 BD Breda The Netherlands
			Olaf Dijkgraaf Approval Manager  Skil BV, Konijnenberg 62, 4825 BD Breda, NL 21.12.2018

1 9955

1300
Watt

2,9 kg

n
3000/min

n_0
600-
3000/min

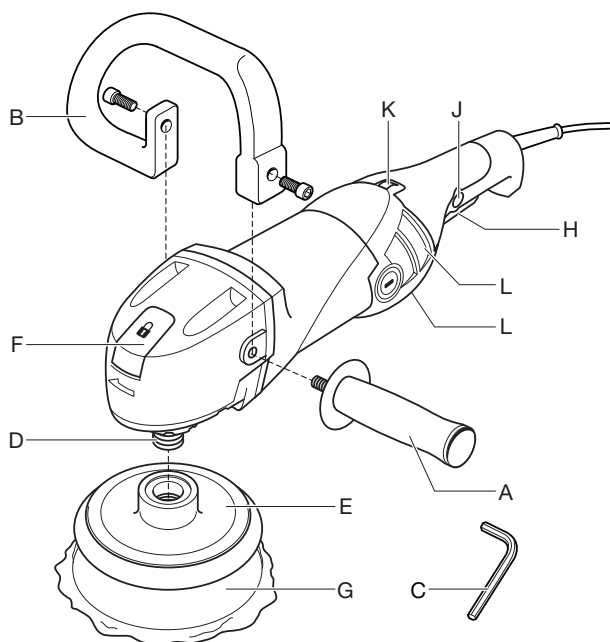
M14

MAX.
Ø 180 mm

4m
RUBBER

220
-
240
V~
50-60 Hz

2



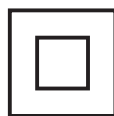
3



4

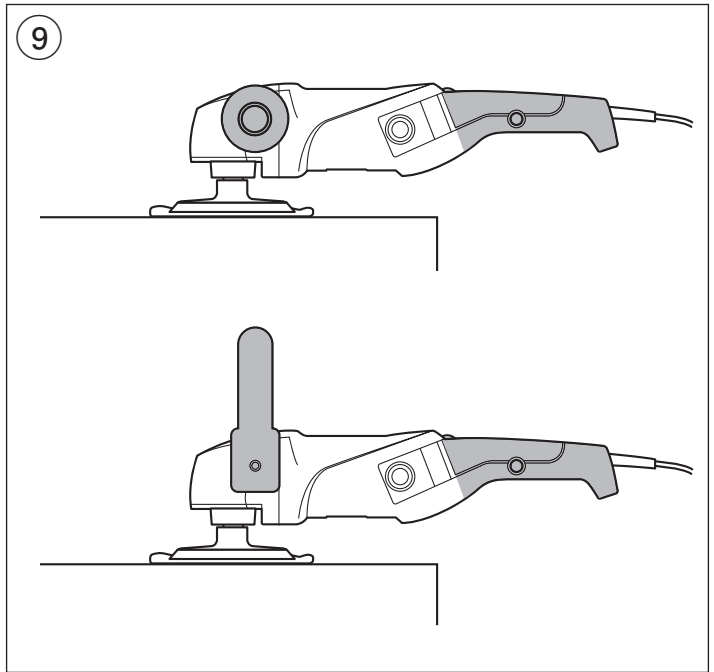
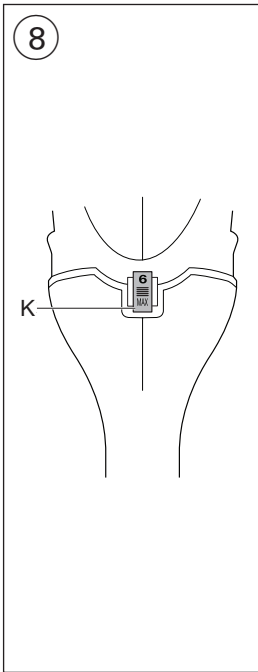
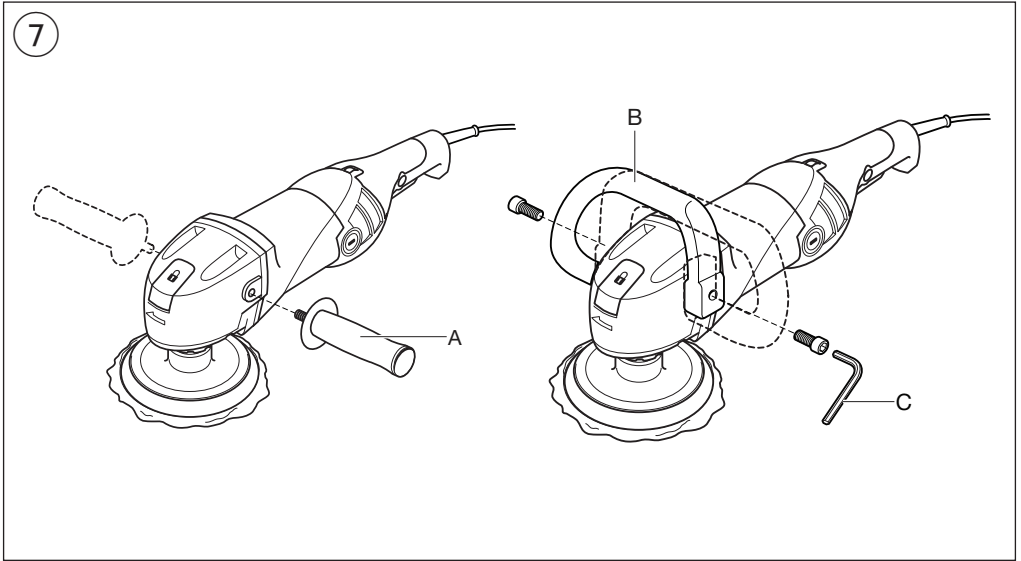


5



6





INTRODUCTION

- This tool is intended for polishing metal, plastic and coated surfaces as well as for the polishing of stone materials without the use of water
- Read and save this instruction manual ③

TECHNICAL DATA ①

TOOL ELEMENTS ②

- A Auxiliary handle
- B Auxiliary handle (type D)
- C Hex key
- D Spindle
- E Backing pad (VELCRO)
- F Spindle-lock button
- G Wool bonnet
- H On/off switch
- J Knob for locking on/off switch
- K Wheel for maximum speed control
- L Ventilation slots

SAFETY

GENERAL POWER TOOL SAFETY WARNINGS

⚠ WARNING Read all safety warnings, instructions, illustrations and specifications provided with this power tool. Failure to follow all instructions listed below may result in electric shock, fire and/or serious injury. **Save all warnings and instructions for future reference.** The term "power tool" in the warnings refers to your mains-operated (corded) power tool or battery-operated (cordless) power tool.

1) WORK AREA SAFETY

- a) **Keep work area clean and well lit.** Cluttered or dark areas invite accidents.
- b) **Do not operate power tools in explosive atmospheres, such as in the presence of flammable liquids, gases or dust.** Power tools create sparks which may ignite the dust or fumes.
- c) **Keep children and bystanders away while operating a power tool.** Distractions can cause you to lose control.

2) ELECTRICAL SAFETY

- a) **Power tool plugs must match the outlet. Never modify the plug in any way. Do not use any adapter plugs with earthed (grounded) power tools.** Unmodified plugs and matching outlets will reduce risk of electric shock.
- b) **Avoid body contact with earthed or grounded surfaces such as pipes, radiators, ranges and refrigerators.** There is an increased risk of electric shock if your body is earthed or grounded.
- c) **Do not expose power tools to rain or wet conditions.** Water entering a power tool will increase the risk of electric shock.

- d) **Do not abuse the cord. Never use the cord for carrying, pulling or unplugging the power tool. Keep cord away from heat, oil, sharp edges or moving parts.** Damaged or entangled cords increase the risk of electric shock.
- e) **When operating a power tool outdoors, use an extension cord suitable for outdoor use.** Use of a cord suitable for outdoor use reduces the risk of electric shock.
- f) **If operating a power tool in a damp location is unavoidable, use a residual current device (RCD) protected supply.** Use of an RCD reduces the risk of electric shock.

3) PERSONAL SAFETY

- a) **Stay alert, watch what you are doing and use common sense when operating a power tool. Do not use a power tool while you are tired or under the influence of drugs, alcohol or medication.** A moment of inattention while operating power tools may result in serious personal injury.
- b) **Use personal protective equipment. Always wear eye protection.** Protective equipment such as dust mask, non-skid safety shoes, hard hat, or hearing protection used for appropriate conditions will reduce personal injuries.
- c) **Prevent unintentional starting. Ensure the switch is in the off-position before connecting to power source and/or battery pack, picking up or carrying the tool.** Carrying power tools with your finger on the switch or energising power tools that have the switch on invites accidents.
- d) **Remove any adjusting key or wrench before turning the power tool on.** A wrench or a key left attached to a rotating part of the power tool may result in personal injury.
- e) **Do not overreach. Keep proper footing and balance at all times.** This enables better control of the power tool in unexpected situations.
- f) **Dress properly. Do not wear loose clothing or jewellery. Keep your hair and clothing away from moving parts.** Loose clothes, jewellery or long hair can be caught in moving parts.
- g) **If devices are provided for the connection of dust extraction and collection facilities, ensure these are connected and properly used.** Use of dust collection can reduce dust-related hazards.
- h) **Do not let familiarity gained from frequent use of tools allow you to become complacent and ignore tool safety principles.** A careless action can cause severe injury within a fraction of a second.

4) POWER TOOL USE AND CARE

- a) **Do not force the power tool. Use the correct power tool for your application.** The correct power tool will do the job better and safer at the rate for which it was designed.
- b) **Do not use the power tool if the switch does not turn it on and off.** Any power tool that cannot be controlled with the switch is dangerous and must be repaired.
- c) **Disconnect the plug from the power source and/or remove the battery pack, if detachable, from the power tool before making any adjustments, changing accessories, or storing power tools.** Such

preventive safety measures reduce the risk of starting the power tool accidentally.

- d) **Store idle power tools out of the reach of children and do not allow persons unfamiliar with the power tool or these instructions to operate the power tool.** Power tools are dangerous in the hands of untrained users.
 - e) **Maintain power tools and accessories. Check for misalignment or binding of moving parts, breakage of parts and any other condition that may affect the power tool's operation. If damaged, have the power tool repaired before use.** Many accidents are caused by poorly maintained power tools.
 - f) **Keep cutting tools sharp and clean.** Properly maintained cutting tools with sharp cutting edges are less likely to bind and are easier to control.
 - g) **Use the power tool, accessories and tool bits etc., in accordance with these instructions, taking into account the working conditions and the work to be performed.** Use of the power tool for operations different from those intended could result in a hazardous situation.
 - h) **Keep handles and grasping surfaces dry, clean and free from oil and grease.** Slippery handles and grasping surfaces do not allow for safe handling and control of the tool in unexpected situations.
- 5) SERVICE**
- a) **Have your power tool serviced by a qualified repair person using only identical replacement parts.** This will ensure that the safety of the power tool is maintained.

SAFETY INSTRUCTIONS FOR POLISHERS

1) SAFETY WARNINGS COMMON FOR POLISHING OPERATIONS

- a) **This power tool is intended to function as a polisher. Read all safety warnings, instructions, illustrations and specifications provided with this power tool.** Failure to follow all instructions listed below may result in electric shock, fire and/or serious injury.
- b) **This power tool is not recommended for operations such as grinding, sanding, wire brushing or cutting off.** Operations for which the power tool was not designed may create a hazard and cause personal injury.
- c) **Do not allow any loose portion of the polishing bonnet or its attachment strings to spin freely. Tuck away or trim any loose attachment strings.** Loose and spinning attachment strings can entangle your fingers or snag on the workpiece.
- d) **Do not use accessories which are not specifically designed and recommended by the tool manufacturer.** Just because the accessory can be attached to your power tool, it does not assure safe operation.
- e) **The rated speed of the accessory must be at least equal to the maximum speed marked on the power tool.** Accessories running faster than their rated speed can fly apart.
- f) **The outside diameter and the thickness of your accessory must be within the capacity rating of your power tool.** Incorrectly sized accessories cannot be adequately guarded or controlled.
- g) **Threaded mounting of accessories must match the grinder spindle thread. For accessories mounted by**

flanges, the arbour hole of the accessory must fit the locating diameter of the flange. Accessories that do not match the mounting hardware of the power tool will run out of balance, vibrate excessively and may cause loss of control.

- h) **Do not use a damaged accessory. Before each use inspect the accessory such as abrasive wheels for chips and cracks, backing pads for cracks, tear or excess wear, wire brushes for loose or cracked wires. If the power tool or accessory is dropped, inspect for damage or install an undamaged accessory. After inspecting and installing an accessory, position yourself and bystanders away from the plane of the rotating accessory and run the power tool at maximum no load speed for one minute.** Damaged accessories will normally break apart during this test time.
 - i) **Wear personal protective equipment. Depending on application, use face shield, safety goggles or safety glasses. As appropriate, wear dust mask, hearing protectors, gloves and shop apron capable of stopping small abrasive or workpiece fragments.** The eye protection must be capable of stopping flying debris generated by various operations. The dust mask or respirator must be capable of filtering particles generated by your operation. Prolonged exposure to high intensity noise may cause hearing loss.
 - j) **Keep bystanders a safe distance away from work area. Anyone entering the work area must wear personal protective equipment.** Fragments of the workpiece or of a broken accessory may fly away and cause injury beyond the immediate area of operation.
 - k) **Hold power tool by insulated gripping surfaces only, when performing an operation where the accessory may contact hidden wiring or its own cord.** An accessory contacting a "live" wire may make exposed metal parts of the power tool "live" and could give the operator an electric shock.
 - l) **Position the cord clear of the spinning accessory.** If you lose control, the cord may be cut or snagged and your hand or arm may be pulled into the spinning accessory.
 - m) **Never lay the power tool down until the accessory has come to a complete stop.** The spinning accessory may grab the surface and pull the power tool out of your control.
 - n) **Do not run the power tool while carrying it at your side.** Accidental contact with the spinning accessory could snag your clothing, pulling the accessory into your body.
 - o) **Regularly clean the power tool's air vents.** The motor's fan will draw the dust inside the housing and excessive accumulation of powdered metal may cause electrical hazards.
 - p) **Do not operate the power tool near flammable materials.** Sparks could ignite these materials.
 - q) **Do not use accessories that require liquid coolants.** Using water or other liquid coolants may result in electrocution or shock.
- 2) KICKBACK AND RELATED WARNINGS**
- Kickback is a sudden reaction to a pinched or snagged rotating wheel, backing pad, brush or any other accessory. Pinching or snagging causes rapid stalling of

the rotating accessory which in turn causes the uncontrolled power tool to be forced in the direction opposite of the accessory's rotation at the point of the binding.

- For example, if an abrasive wheel is snagged or pinched by the workpiece, the edge of the wheel that is entering into the pinch point can dig into the surface of the material causing the wheel to climb out or kick out. The wheel may either jump toward or away from the operator, depending on the direction of the wheel's movement at the point of pinching. Abrasive wheels may also break under these conditions.
 - Kickback is the result of power tool misuse and/or incorrect operating procedures or conditions and can be avoided by taking proper precautions as given below.
- a) **Maintain a firm grip on the power tool and position your body and arm to allow you to resist kickback forces. Always use auxiliary handle, if provided, for maximum control over kickback or torque reaction during start-up.** The operator can control torque reactions or kickback forces, if proper precautions are taken.
- b) **Never place your hand near the rotating accessory.** The accessory may kickback over your hand.
- c) **Do not position your body in the area where power tool will move if kickback occurs.** Kickback will propel the tool in the direction opposite to the wheel's movement at the point of snagging.
- d) **Use special care when working corners, sharp edges etc. Avoid bouncing and snagging the accessory.** Corners, sharp edges or bouncing have a tendency to snag the rotating accessory and cause loss of control or kickback.
- e) **Do not attach a saw chain woodcarving blade or toothed saw blade.** Such blades create frequent kickback and loss of control.

ADDITIONAL SAFETY WARNINGS

GENERAL

- Only use this tool for dry polishing
- Only use the flanges which are supplied with this tool
- This tool should not be used by people under the age of 16 years
- **Always disconnect plug from power source before making any adjustment or changing any accessory**
- **Do not work materials containing asbestos** (asbestos is considered carcinogenic)

ACCESSORIES

- SKIL can assure flawless functioning of the tool only when the correct accessories are used which can be obtained from your SKIL dealer
- For mounting/using non-SKIL accessories observe the instructions of the manufacturer concerned
- Use only accessories with an allowable speed matching at least the highest no-load speed of the tool
- Never use accessories with a "blind" threaded hole smaller than M14 x 21 mm
- Do not use damaged, deformed or vibrating accessories
- Handle and store accessories with care

OUTDOOR USE

- When used outdoors, connect the tool via a fault current (FI) circuit breaker with a triggering current of 30 mA maximum, and only use an extension cord which is

intended for outdoor use and equipped with a splashproof coupling-socket

BEFORE USE

- Always check that the supply voltage is the same as the voltage indicated on the nameplate of the tool
- Always mount auxiliary handle A ② or B ②; never use the tool without it
- Dust from material such as paint containing lead, some wood species, minerals and metal may be harmful (contact with or inhalation of the dust may cause allergic reactions and/or respiratory diseases to the operator or bystanders); **wear a dust mask and work with a dust extraction device when connectable**
- Certain kinds of dust are classified as carcinogenic (such as oak and beech dust) especially in conjunction with additives for wood conditioning; **wear a dust mask and work with a dust extraction device when connectable**
- Follow the dust-related national requirements for the materials you want to work with
- **Secure the workpiece** (a workpiece clamped with clamping devices or in a vice is held more securely than by hand)
- Do not clamp the tool in a vice
- Use completely unrolled and safe extension cords with a capacity of 16 Amps (U.K. 13 Amps)

DURING USE

- When working, always hold the tool firmly with both hands and take a secure stance
- Always keep the cord away from moving parts of the tool; direct the cord to the rear, away from the tool
- If the cord is damaged or cut through while working, do not touch the cord, but immediately disconnect the plug
- Never use the tool when cord is damaged; have it replaced by a qualified person
- In case of electrical or mechanical malfunction, immediately switch off the tool and disconnect the plug
- In case of current interruption or when the plug is accidentally pulled out, release switch H ② in order to prevent uncontrolled restarting

AFTER USE

- Before you put down the tool, switch off the motor and ensure that all moving parts have come to a complete standstill
- After switching off the tool, never stop the rotation of the accessory by a lateral force applied against it

EXPLANATION OF SYMBOLS ON TOOL

- ③ Read the instruction manual before use
- ④ Wear protective glasses and hearing protection
- ⑤ Double insulation (no earth wire required)
- ⑥ Do not dispose of the tool together with household waste material

WHEN CONNECTING NEW 3-PIN PLUG (U.K. ONLY):

- Do not connect the blue (= neutral) or brown (= live) wire in the cord of this tool to the earth terminal of the plug
- If for any reason the old plug is cut off the cord of this tool, it must be disposed of safely and not left unattended

USE

- Mounting of auxiliary handles ⑦
- ! **disconnect the plug**
 - screw auxiliary handle A on the right or the left of the tool (depending on the work to be carried out)

- mount auxiliary handle B as illustrated and tighten both screws supplied with hex key C
- Mounting of accessories ②
 - ! **disconnect the plug**
 - clean spindle D and all parts to be mounted
 - screw VELCRO backing pad E onto spindle D while pushing spindle-lock button F
 - ! **push spindle-lock button F only when spindle D is at a standstill**
 - simply press wool bonnet G onto VELCRO backing pad E
 - for removing accessories handle vice-versa
- Before using the tool
 - ensure that accessory is correctly mounted and firmly tightened
 - check if accessory runs freely by turning it by hand
 - test-run tool for at least 60 seconds at highest no-load speed in a safe position
 - stop immediately in case of considerable vibration or other defects and check tool to determine the cause
- On/off
 - switch on/off the tool by pulling/releasing trigger H ②
- Electronic soft-start
Ensures reaching the maximum speed smoothly without a sudden impact when tool is switched on
- Switch locking for continuous use
 - pull trigger H
 - press knob J with your thumb
 - unlock the switch by pulling again trigger H and then releasing it
- Speed control ⑧
 - with wheel K the maximum speed can be adjusted from low to high (1-MAX)
 - start with wheel K in position 1 (lower speed)
 - if needed, select a higher speed while the tool runs
 - the optimal working speed depends on the material and can be determined with practical trials
- Operating the tool
 - switch on the tool
 - place the tool fully on the surface to be polished and move it evenly by sections
 - one move should overlap the previous move by one half
 - do not stop at a single spot to avoid burning the coating
 - do not move the tool in circles to avoid staining or burning the coating
 - ! **before switching off the tool, you should lift it from the workpiece**
 - ! **the accessory continues to rotate for a short time after the tool has been switched off**
- Holding and guiding the tool ⑨
 - ! **while working, always hold the tool at the grey-coloured grip area(s)**
 - always hold the tool firmly with both hands, so you will have full control of the tool at all times
 - provide for a secure stance
 - ! **do not apply so much pressure on the tool that it comes to a standstill**
 - keep ventilation slots L ② uncovered

MAINTENANCE / SERVICE

- Protect the tool from impact, shock and grease
- Always keep tool and cord clean (especially ventilation slots L ②)
 - ! **disconnect the plug before cleaning**
 - ! **do not attempt to clean ventilation slots by inserting pointed objects through openings**
- If the tool should fail despite the care taken in manufacturing and testing procedures, repair should be carried out by an after-sales service centre for SKIL power tools
 - send the tool **undismantled** together with proof of purchase to your dealer or the nearest SKIL service station (addresses as well as the service diagram of the tool are listed on www.skil.com)

ENVIRONMENT

- **Do not dispose of electric tools, accessories and packaging together with household waste material** (only for EU countries)
 - in observance of European Directive 2012/19/EC on waste of electric and electronic equipment and its implementation in accordance with national law, electric tools that have reached the end of their life must be collected separately and returned to an environmentally compatible recycling facility
 - symbol ⑥ will remind you of this when the need for disposing occurs

NOISE / VIBRATION

- Measured in accordance with EN 60745 the sound pressure level of this tool is 86 dB(A) and the sound power level 97 dB(A) (standard deviation: 3 dB), and the vibration 8.5 m/s² (triax vector sum; uncertainty K = 1.5 m/s²)
- The vibration emission level has been measured in accordance with a standardised test given in EN 60745; it may be used to compare one tool with another and as a preliminary assessment of exposure to vibration when using the tool for the applications mentioned
 - using the tool for different applications, or with different or poorly maintained accessories, may significantly **increase** the exposure level
 - the times when the tool is switched off or when it is running but not actually doing the job, may significantly **reduce** the exposure level
- ! **protect yourself against the effects of vibration by maintaining the tool and its accessories, keeping your hands warm, and organizing your work patterns**

F

Polisseuse

9955

INTRODUCTION

- Cet outil est conçu pour polir les surfaces métalliques, plastiques et revêtues ainsi que pour polir certains matériaux minéraux sans utiliser d'eau
- Lisez et conservez ce manuel d'instruction ③

CARACTERISTIQUES TECHNIQUES ①

ELEMENTS DE L'OUTIL ②

- A Poignée auxiliaire
- B Poignée auxiliaire (type D)
- C Clé hexagonale
- D Arbre
- E Support plateau (VELCRO)
- F Bouton de blocage de l'arbre
- G Bonnet de laine
- H Interrupteur marche/arrêt
- J Bouton de verrouillage de l'interrupteur marche/arrêt
- K Molette de réglage de la vitesse maximum
- L Fentes de ventilation

SECURITE

AVERTISSEMENTS DE SECURITE GENERAUX POUR L'OUTIL ELECTRIQUE

⚠ AVERTISSEMENT Lisez tous les avertissements de sécurité, les instructions, les illustrations et les spécifications fournis avec cet outil électrique. Ne pas suivre les instructions énumérées ci-dessous peut provoquer un choc électrique, un incendie et/ou une blessure sérieuse. **Conservez tous les avertissements et toutes les instructions pour pouvoir s'y reporter ultérieurement.** Le terme "outil électrique" dans les avertissements se rapporte à des outils électriques raccordés au secteur (avec câble de raccordement) et à des outils électriques à batterie (sans câble de raccordement).

1) SECURITE DE LA ZONE DE TRAVAIL

- a) **Maintenez l'endroit de travail propre et bien éclairé.**
Un lieu de travail en désordre ou mal éclairé augmente le risque d'accidents.
- b) **N'utilisez pas l'outil électrique dans un environnement présentant des risques d'explosion et où se trouvent des liquides, des gaz ou poussières inflammables.** Les outils électriques génèrent des étincelles risquant d'enflammer les poussières ou les vapeurs.
- c) **Tenez les enfants et autres personnes éloignés durant l'utilisation de l'outil électrique.** En cas d'inattention vous risquez de perdre le contrôle sur l'outil électrique.

2) SECURITE RELATIVE AU SYSTEME ELECTRIQUE

- a) **La fiche de secteur de l'outil électrique doit être appropriée à la prise de courant. Ne modifiez en aucun cas la fiche. N'utilisez pas de fiches d'adaptateur avec des outils électriques avec mise à la terre.** Les fiches non modifiées et les prises de courant appropriées réduisent le risque de choc électrique.
- b) **Évitez le contact physique avec des surfaces mises à la terre telles que tuyaux, radiateurs, fours et réfrigérateurs.** Il y a un risque élevé de choc électrique au cas où votre corps serait relié à la terre.
- c) **N'exposez pas l'outil électrique à la pluie ou à l'humidité.** La pénétration d'eau dans un outil électrique augmente le risque d'un choc électrique.

- d) **N'utilisez pas le câble à d'autres fins que celles prévues, n'utilisez pas le câble pour porter l'outil électrique ou pour l'accrocher ou encore pour le débrancher de la prise de courant. Maintenez le câble éloigné des sources de chaleur, des parties grasses, des bords tranchants ou des parties de l'outil électrique en rotation.** Un câble endommagé ou torsadé augmente le risque d'un choc électrique.
- e) **Au cas où vous utiliseriez l'outil électrique à l'extérieur, utilisez une rallonge autorisée homologuée pour les applications extérieures.** L'utilisation d'une rallonge électrique homologuée pour les applications extérieures réduit le risque d'un choc électrique.
- f) **Si l'usage d'un outil dans un emplacement humide est inévitable, utilisez un disjoncteur de fuite à la terre.** L'utilisation d'un disjoncteur de fuite à la terre réduit le risque de choc électrique.

3) SECURITE DES PERSONNES

- a) **Restez vigilant, surveillez ce que vous faites. Faites preuve de bon sens en utilisant l'outil électrique. N'utilisez pas l'outil électrique lorsque vous êtes fatigué ou après avoir consommé de l'alcool, des drogues ou avoir pris des médicaments.** Un moment d'inattention lors de l'utilisation de l'outil électrique peut entraîner de graves blessures sur les personnes.
- b) **Portez des équipements de protection. Portez toujours des lunettes de protection.** Le fait de porter des équipements de protection personnels tels que masque anti-poussières, chaussures de sécurité antidérapantes, casque de protection ou protection acoustique suivant le travail à effectuer, réduit le risque de blessures.
- c) **Évitez tout démarrage intempestif. S'assurez que l'interrupteur est en position arrêté avant de brancher l'outil au secteur et/ou au bloc de batteries, de le ramasser ou de le porter.** Porter les outils en ayant le doigt sur l'interrupteur ou brancher des outils dont l'interrupteur est en position marche est source d'accidents.
- d) **Enlevez tout outil de réglage ou toute clé avant de mettre l'outil électrique en fonctionnement.** Une clé ou un outil se trouvant sur une partie en rotation peut causer des blessures.
- e) **Ne surestimez pas vos capacités. Veillez à garder toujours une position stable et équilibrée.** Ceci vous permet de mieux contrôler l'outil électrique dans des situations inattendues.
- f) **Portez des vêtements appropriés. Ne portez pas de vêtements amples ni de bijoux. Gardez les cheveux et les vêtements à distance des parties en mouvement.** Des vêtements amples, des bijoux ou des cheveux longs peuvent être happés par des pièces en mouvement.
- g) **Si des dispositifs servant à aspirer ou à recueillir les poussières doivent être utilisés, vérifiez que ceux-ci soient effectivement raccordés et qu'ils sont correctement utilisés.** L'utilisation des collecteurs de poussière réduit les dangers dus aux poussières.
- h) **Restez vigilant et ne pas négligez les principes de sécurité de l'outil sous prétexte que vous avez**

l'habitude de l'utiliser. Une fraction de seconde d'inattention peut provoquer une blessure grave.

4) UTILISATION ET EMPLOI SOIGNEUX DE L'OUTIL ELECTRIQUE

- a) **Ne surchargez pas l'outil électrique. Utilisez l'outil électrique approprié au travail à effectuer.** Avec l'outil électrique approprié, vous travaillerez mieux et avec plus de sécurité à la vitesse pour laquelle il est prévu.
 - b) **N'utilisez pas un outil électrique dont l'interrupteur est défectueux.** Un outil électrique qui ne peut plus être mis en ou hors fonctionnement est dangereux et doit être réparé.
 - c) **Débranchez la fiche de la source d'alimentation et/ou enlevez le bloc de batteries, s'il est amovible, avant tout réglage, changement d'accessoires ou avant de ranger l'outil électrique.** De telles mesures de sécurité préventives réduisent le risque de démarrage accidentel de l'outil électrique.
 - d) **Gardez les outils électriques non utilisés hors de portée des enfants. Ne permettez pas l'utilisation de l'outil électrique à des personnes qui ne se sont pas familiarisées avec celui-ci ou qui n'ont pas lu ces instructions.** Les outils électriques sont dangereux lorsqu'ils sont utilisés par des personnes non initiées.
 - e) **Observez la maintenance des outils électriques et des accessoires. Vérifiez que les parties en mouvement fonctionnent correctement et qu'elles ne soient pas coincées, et contrôlez si des parties sont cassées ou endommagées de telle sorte que le bon fonctionnement de l'outil électrique s'en trouve entravé. Faites réparer les parties endommagées avant d'utiliser l'outil électrique.** De nombreux accidents sont dus à des outils électriques mal entretenus.
 - f) **Maintenez les outils de coupe aiguisés et propres.** Des outils soigneusement entretenus avec des bords tranchants bien aiguisés se coincent moins souvent et peuvent être guidés plus facilement.
 - g) **Utilisez l'outil électrique, les accessoires, les outils à monter etc. conformément à ces instructions. Tenez compte également des conditions de travail et du travail à effectuer.** L'utilisation de l'outil électrique à d'autres fins que celles prévues peut entraîner des situations dangereuses.
 - h) **Il faut que les poignées et les surfaces de préhension restent sèches, propres et dépourvues d'huiles et de graisses.** Des poignées et des surfaces de préhension glissantes rendent impossibles la manipulation et le contrôle en toute sécurité de l'outil dans les situations inattendues.
- #### 5) SERVICE
- a) **Ne faites réparer votre outil électrique que par un personnel qualifié et seulement avec des pièces de rechange d'origine.** Ceci permet d'assurer la sécurité de l'outil électrique.

INSTRUCTIONS DE SECURITE POUR POLISSEUSES

1) AVERTISSEMENTS DE SECURITE COMMUNS POUR LES OPERATIONS DE POLISSAGE

- a) **Cet outil électroportatif est à utiliser en tant que polisseuse. Respecter tous les avertissements, instructions, représentations et données qui sont**

fournis avec l'outil électroportatif. Un non-respect des instructions suivantes peut entraîner un choc électrique et / ou de graves blessures.

- b) **Cet outil électrique n'est pas recommandé pour réaliser des opérations de meulage, de ponçage, de brossage métallique ou de découpage.** Les opérations pour lesquelles cet outil électrique n'a pas été conçu peuvent constituer un risque et provoquer des blessures.
- c) **Eviter absolument que des éléments du capot de polissage, surtout des cordes de fixation, ne dépassent. Ranger ou raccourcir les cordes de fixation.** Les cordes qui dépassent tournent avec l'outil peuvent happer vos doigts ou se coincer dans la pièce.
- d) **Ne pas utiliser des accessoires qui ne sont pas spécialement prévus et recommandés par le fabricant pour cet outil électroportatif.** Le fait de pouvoir monter les accessoires sur votre outil électroportatif ne garantit pas une utilisation en toute sécurité.
- e) **La vitesse de rotation admissible de l'accessoire doit être au moins égale à la vitesse de rotation maximale de l'outil électroportatif.** Les accessoires qui tournent à une vitesse de rotation supérieure à celle qui est admise risquent d'être détruits.
- f) **Le diamètre extérieur et la largeur de l'accessoire doivent correspondre aux cotes de votre outil électroportatif.** Les accessoires de mauvaises dimensions ne peuvent pas être protégés ni contrôlés de façon suffisante.
- g) **Le montage fileté d'accessoires doit être adapté au filet de l'arbre de la meuleuse. Pour les accessoires montés avec des flasques, l'alésage central de l'accessoire doit s'adapter correctement au diamètre du flasque.** Les accessoires qui ne correspondent pas aux éléments de montage de l'outil électrique seront en déséquilibre, vibreront de manière excessive et pourront provoquer une perte de contrôle.
- h) **Ne pas utiliser des accessoires endommagés. Avant chaque utilisation, contrôler les accessoires tels que meules pour détecter des éclats et des fissures, les plateaux de ponçage pour détecter des fissures, une certaine usure ou des signes de forte usure, les brosses métalliques pour détecter des fils détachés ou cassés. Au cas où l'outil électroportatif ou l'accessoire tomberait, contrôler s'il est endommagé ou utiliser un accessoire intact. Après avoir contrôlé et monté l'accessoire, se tenir à distance du niveau de l'accessoire en rotation ainsi que les personnes se trouvant à proximité et laisser tourner l'outil électroportatif à la vitesse maximale pendant une minute.** Dans la plupart des cas, les accessoires endommagés cassent pendant ce temps d'essai.
- i) **Porter des équipements de protection personnels. Selon l'utilisation, porter une protection complète pour le visage, une protection oculaire ou des lunettes de protection. Si nécessaire, porter un masque anti-poussière, une protection acoustique, des gants de protection ou un tablier spécial qui vous protège de petites particules de matériau causées par le meulage.** Protéger vos yeux de corps étrangers projetés dans l'air lors des différentes

utilisations. Les masques anti-poussière ou les masques respiratoires doivent filtrer la poussière générée lors de l'utilisation. Une exposition trop longue au bruit fort peut entraîner une perte d'audition.

- j) **Garder une distance de sécurité suffisante entre votre zone de travail et les personnes se trouvant à proximité.** Toute personne entrant dans la zone de travail doit porter un équipement de protection individuel. Des fragments de pièces ou d'accessoires cassés peuvent être projetés et causer des blessures même en dehors de la zone directe de travail.
- k) **Ne tenir l'outil électroportatif qu'aux poignées isolées, lors de la réalisation d'une opération au cours de laquelle l'accessoire peut entrer en contact avec un câblage non apparent ou son propre câble d'alimentation.** Le contact avec un fil sous tension peut également mettre sous tension les parties métalliques de l'outil électrique et provoquer un choc électrique sur l'opérateur.
- l) **Garder le câble de secteur à distance des accessoires en rotation.** Si vous perdez le contrôle de l'outil, le câble de secteur peut être sectionné ou happé et votre main ou votre bras risquent d'être happés par l'accessoire en rotation.
- m) **Déposer l'outil électroportatif seulement après l'arrêt total de l'accessoire.** L'accessoire en rotation peut toucher la surface sur laquelle l'outil est posé, ce qui risque de vous faire perdre le contrôle de l'outil électroportatif.
- n) **Ne pas laisser tourner l'outil électroportatif pendant que vous le portez.** Suite à un contact involontaire, vos vêtements peuvent être happés par l'accessoire en rotation, et l'accessoire peut rentrer dans votre corps.
- o) **Nettoyer régulièrement les ouïes de ventilation de votre outil électroportatif.** La ventilation du moteur aspire de la poussière dans le carter, et de la poussière de métal en trop grande quantité peut causer des dangers électriques.
- p) **Ne pas utiliser l'outil électroportatif lorsqu'il y a des matériaux inflammables à proximité.** Les étincelles risquent d'enflammer ces matériaux.
- q) **Ne pas utiliser des accessoires qui nécessitent des liquides de refroidissement.** L'utilisation d'eau ou d'autres liquides de refroidissement peut entraîner un choc électrique.

2) CONTRECOUP ET AVERTISSEMENTS CORRESPONDANTS

- Un contrecoup est une réaction soudaine causée par un accessoire en rotation qui s'accroche ou qui se bloque, tels que meule, plateau de ponçage, brosse métallique, etc. Un coinçage ou un blocage entraîne un arrêt soudain de l'accessoire en rotation. Il en résulte que l'outil électroportatif incontrôlé est accéléré à l'endroit du blocage dans le sens inverse de l'accessoire.
- Par ex., si une meule s'accroche ou si elle se bloque dans la pièce, le bord de la meule qui entre dans la pièce peut se coincer et faire que la meule se déplace ou causer un contrecoup. En fonction du sens de rotation de la meule à l'endroit de blocage, la meule s'approche ou s'éloigne alors de l'utilisateur. Les meules peuvent également casser.

- Un contrecoup est la suite d'une mauvaise utilisation ou une utilisation incorrecte de l'outil électroportatif. Il peut être évité en prenant des mesures de précaution comme celles décrites ci-dessous.
- a) **Bien tenir l'outil électroportatif et se mettre dans une position permettant de faire face à des forces de contrecoup. Utiliser toujours la poignée supplémentaire, s'il y en a une, pour contrôler au maximum les forces de contrecoup ou les couples de réaction lors de l'accélération à pleine vitesse.** Par des mesures de précaution appropriées, la personne travaillant avec l'outil peut contrôler le contrecoup et les forces du contrecoup.
- b) **Ne pas mettre votre main à proximité des accessoires en rotation.** Lors d'un contrecoup, l'accessoire risque de passer sur votre main.
- c) **Éviter de vous placer dans la zone dans laquelle l'outil électroportatif ira lors d'un contrecoup.** Le contrecoup entraîne l'outil électroportatif dans le sens opposé au mouvement de la meule à l'endroit de blocage.
- d) **Être extrêmement vigilant lors du travail de coins, d'arêtes coupantes etc. Éviter que les accessoires ne rebondissent contre pièce à travailler et ne se coincent.** L'accessoire en rotation a tendance à se coincer aux coins, arêtes coupantes ou quand il rebondit. Ceci cause une perte de contrôle ou un contrecoup.
- e) **Ne pas utiliser de lames de scie à chaînes ou dentées.** De tels accessoires risquent de produire un contrecoup ou une perte de contrôle de l'outil électroportatif.

AVERTISSEMENTS DE SECURITE SUPPLEMENTAIRES

GENERALITES

- Utilisez uniquement cet outil pour le polissage à sec
- Utilisez uniquement les brides livrées avec l'outil
- Cet outil ne doit pas être utilisé par des personnes de moins de 16 ans
- **Débranchez toujours l'outil avant tout réglage ou changement d'accessoire**
- **Ne travaillez pas de matériaux contenant de l'amiante** (l'amiante est considérée comme étant cancérigène)

ACCESSOIRES

- SKIL ne peut se porter garant du bon fonctionnement de cet outil que s'il a été utilisé avec les accessoires appropriés en vente chez votre distributeur SKIL
- Pour le montage et l'utilisation d'accessoires n'étant pas de la marque SKIL, observez les instructions du fabricant concerné
- La vitesse admissible des accessoires utilisées doit être au moins aussi élevée que la vitesse à vide maximale de l'outil
- Ne jamais utilisez d'accessoires avec un orifice fileté borgne plus petit que M14 x 21 mm
- N'utilisez jamais d'accessoires endommagés, déformés ou qui vibrent
- Traitez et stockez les accessoires avec précaution

UTILISATION A L'EXTERIEUR

- En cas d'usage à l'extérieur, branchez l'outil par l'intermédiaire d'un coupe-circuit (FI) avec courant de réaction de 30 mA au maximum, et utilisez uniquement

un câble de prolongement spécial pour l'extérieur équipé d'une prise résistant aux éclaboussures

AVANT L'USAGE

- Contrôlez toujours si la tension secteur correspond à la tension indiquée sur la plaquette signalétique de l'outil
- Placez toujours la poignée auxiliaire A ② ou B ②; n'utilisez jamais l'outil sans avoir pris ces dispositions
- La poussière de matériaux, tels que la peinture contenant du plomb, certaines espèces de bois, certains minéraux et différents métaux, peut être nocive (le contact avec la poussière ou son inhalation peut provoquer des réactions allergiques et/ou des maladies respiratoires chez l'opérateur ou des personnes se trouvant à proximité); **portez un masque antipoussières et travaillez avec un appareil de dépoussiérage lorsqu'il est possible d'en connecter un**
- Certains types de poussières sont classifiés comme étant cancérigènes (tels que la poussière de chêne ou de hêtre), en particulier en combinaison avec des additifs de traitement du bois; **portez un masque antipoussières et travaillez avec un appareil de dépoussiérage lorsqu'il est possible d'en connecter un**
- Suivez les directives nationales relatives au dépoussiérage pour les matériaux à travailler
- **Fixez solidement la pièce à travailler** (une pièce fixée à l'aide de dispositifs de fixation est davantage assurée que si elle était tenue à la main)
- Ne pas serrez l'outil dans un état
- Utilisez un câble de prolongement complètement déroulé et de bonne qualité d'une capacité de 16 A

PENDANT L'USAGE

- En travaillant, toujours tenez fermement l'outil à l'aide des deux mains et adoptez une position de travail stable et sûre
- Tenez toujours le câble éloigné des parties mobiles de l'outil; orientez le câble vers l'arrière le plus loin possible de l'outil
- Si le câble est endommagé ou rompu pendant le travail, n'y touchez pas, mais débranchez immédiatement la prise
- N'utilisez jamais d'outil avec un câble endommagé; faites-le remplacer par un technicien qualifié
- En cas de dysfonctionnement électrique ou mécanique, mettez directement l'outil hors service et débranchez la fiche
- En cas d'interruption de courant ou de débranchement accidentel de la fiche, relâchez l'interrupteur H ② pour éviter une remise en route non contrôlée

APRES L'USAGE

- Avant de déposer l'outil, mettez le moteur hors service et s'assurez que toutes les pièces mobiles se sont complètement arrêtées
- Après la mise hors service de l'outil, ne jamais arrêtez la rotation de l'accessoire en y appliquant une force latérale

EXPLICATION DES SYMBOLES SUR L'OUTIL

- ③ Veuillez lire le mode d'emploi avant d'utiliser l'outil
- ④ Utilisez des lunettes de protection et des casques anti-bruit
- ⑤ Double-isolation (ne nécessite pas de mise à la terre)
- ⑥ Ne jetez pas l'outil dans les ordures ménagères

UTILISATION

- Montage de les poignées auxiliaires ⑦
 - ! **débranchez la fiche**
 - vissez la poignée auxiliaire A à droite ou à gauche de l'outil (selon le travail à effectuer)
 - montez la poignée auxiliaire B comme illustré et serrez les deux vis fournies avec la clé hexagonale C
- Montage des accessoires ②
 - ! **débranchez la fiche**
 - nettoyez l'arbre D ainsi que toutes les pièces à monter
 - vissez le support plateau VELCRO E sur l'arbre D tout en poussant le bouton de blocage de l'arbre F
 - ! **poussez uniquement le bouton de blocage de l'arbre F lorsque l'arbre D est à l'arrêt**
 - appuyez simplement le tampon en laine G sur le support plateau VELCRO E
 - procédez dans l'ordre inverse pour démonter les accessoires
- Avant toute utilisation
 - assurez-vous que l'accessoire soit correctement monté et fermement serré
 - vérifiez manuellement que l'accessoire tourne aisément
 - testez l'outil à vide au moins 60 secondes à vitesse maximum dans une position de sécurité
 - arrêtez l'outil immédiatement dans le cas de vibrations considérables ou la présence d'autres défauts et vérifiez l'outil pour en déterminer la cause
- Marche/arrêt
 - mettez en marche/arrêtez votre outil en poussant/relâchant la gâchette H ②
- Démarrage progressif électronique
 - Permet d'atteindre progressivement la vitesse maximum sans provoquer d'à-coups au moment de la mise en marche de l'outil
- Blocage de l'interrupteur pour marche continue
 - appuyez sur la gâchette H
 - poussez le bouton J à l'aide du pouce
 - déverrouillez l'interrupteur en appuyant à nouveau sur la gâchette H puis en le relâchant
- Contrôle de la vitesse ⑧
 - la molette K vous permet de régler la vitesse maximum de lente à rapide (1-MAX)
 - commencez en réglant la molette K sur la position 1 (basse vitesse)
 - si nécessaire, sélectionnez une vitesse supérieure pendant le fonctionnement de l'outil
 - la vitesse de travail optimale dépend du matériau et peut être déterminée par des essais pratiques
- Utilisation de l'outil
 - mettez en marche l'outil
 - posez entièrement l'outil sur la surface à polir et déplacez-le de manière uniforme par section
 - un déplacement doit chevaucher le déplacement précédent de moitié
 - ne laissez pas l'outil fonctionner sans le déplacer régulièrement, au risque de brûler le revêtement
 - ne faites pas faire à l'outil des mouvements circulaires, au risque de foncer ou de brûler le revêtement
 - ! **avant d'arrêter l'outil, vous devriez le soulever de la pièce à travailler**

! **l'accessoire continue à tourner quelques temps après que l'outil ait été arrêté**

- Tenue et guidage de l'outil ⑨
- ! **lorsque vous travaillez, tenez toujours l'outil par la(les) zone(s) de couleur grise**
- toujours tenez l'outil fermement à deux mains pour bien le maîtriser dans toutes les circonstances et à tout moment
- veillez à ce que votre position soit bien stable
- ! **ne pas exercer une pression excessive sur l'outil, de sorte qu'il s'arrête**
- veillez à ce que les fentes de ventilation L ② soient découvertes

ENTRETIEN / SERVICE APRES-VENTE

- Protégez l'outil contre les impacts, les chocs et la graisse
- Gardez toujours votre outil et le câble propres (spécialement les aérations L ②)
- ! **débranchez la fiche avant le nettoyage**
- ! **ne tentez pas de nettoyer les aérations en introduisant des objets pointus par les fentes**
- Si, malgré tous les soins apportés à la fabrication et au contrôle de l'outil, celui-ci devait avoir un défaut, la réparation ne doit être confiée qu'à une station de service après-vente agréée pour outillage SKIL
- retournez l'outil **non démonté** avec votre preuve d'achat au revendeur ou au centre de service après-vente SKIL le plus proche (les adresses ainsi que la vue éclatée de l'outil figurent sur www.skil.com)

ENVIRONNEMENT

- **Ne jetez pas les outils électriques, les accessoires et l'emballage dans les ordures ménagères** (pour les pays européens uniquement)
- conformément à la directive européenne 2012/19/EG relative aux déchets d'équipements électriques ou électroniques, et à sa transposition dans la législation nationale, les outils électriques usés doivent être collectés séparément et faire l'objet d'un recyclage respectueux de l'environnement
- le symbole ⑥ vous le rappellera au moment de la mise au rebut de l'outil



BRUIT / VIBRATION

- Mesuré selon EN 60745 le niveau de la pression sonore de cet outil est 86 dB(A) et le niveau de la puissance sonore 97 dB(A) (déviation standard: 3 dB), et la vibration 8,5 m/s² (somme vectorielle des trois axes directionnels; incertitude K = 1,5 m/s²)
- Le niveau de vibrations émises a été mesuré conformément à l'essai normalisé de la norme EN 60745; il peut être utilisé pour comparer plusieurs outils et pour réaliser une évaluation préliminaire de l'exposition aux

vibrations lors de l'utilisation de l'outil pour les applications mentionnées

- l'utilisation de l'outil dans d'autres applications, ou avec des accessoires différents ou mal entretenus, peut considérablement **augmenter** le niveau d'exposition
- la mise hors tension de l'outil et sa non-utilisation pendant qu'il est allumé peuvent considérablement **réduire** le niveau d'exposition
- ! **protégez-vous contre les effets des vibrations par un entretien correct de l'outil et de ses accessoires, en gardant vos mains chaudes et en structurant vos schémas de travail**

D

Polierer

9955

EINLEITUNG

- Dieses Werkzeug dient zum Polieren von Metall-, Kunststoff- und beschichteten Oberflächen sowie für das Polieren von Steinmaterialien ohne Wasser
- Bitte diese Bedienungsanleitung sorgfältig lesen und aufbewahren ③

TECHNISCHE DATEN ①

WERKZEUGKOMponenten ②

- A Zusatzgriff
- B Zusatzgriff (Typ D)
- C Sechskantschlüssel
- D Spindel
- E Schleifteller (VELCRO)
- F Spindelarretierungsknopf
- G Wollhaube
- H Ein/Aus-Schalter
- J Knopf zum Verriegeln des Ein/Aus-Schalters
- K Rad zur Maximalgeschwindigkeits-Kontrolle
- L Lüftungsschlitze

SICHERHEIT

ALLGEMEINE SICHERHEITSHINWEISE FÜR ELEKTROWERKZEUGE

⚠️ WARNUNG Lesen Sie alle Sicherheitshinweise, Anweisungen, Bilderungen und technischen Daten, mit denen dieses Elektrowerkzeug versehen ist.

Versäumnisse bei der Einhaltung der nachfolgenden Anweisungen können elektrischen Schlag, Brand und/oder schwere Verletzungen verursachen. **Bewahren Sie alle Sicherheitshinweise und Anweisungen für die Zukunft auf.** Der in den Sicherheitshinweisen verwendete Begriff "Elektrowerkzeug" bezieht sich auf netzbetriebene Elektrowerkzeuge (mit Netzkabel) und auf akkubetriebene Elektrowerkzeuge (ohne Netzkabel).

1) ARBEITSPLATZSICHERHEIT

- a) **Halten Sie Ihren Arbeitsbereich sauber und gut beleuchtet.** Unordnung oder unbeluchtete Arbeitsbereiche können zu Unfällen führen.

- b) **Arbeiten Sie mit dem Elektrowerkzeug nicht in explosionsgefährdeter Umgebung, in der sich brennbare Flüssigkeiten, Gase oder Stäube befinden.** Elektrowerkzeuge erzeugen Funken, die den Staub oder die Dämpfe entzünden können.
- c) **Halten Sie Kinder und andere Personen während der Benutzung des Elektrowerkzeuges fern.** Bei Ablenkung können Sie die Kontrolle über das Elektrowerkzeug verlieren.
- 2) ELEKTRISCHE SICHERHEIT**
- a) **Der Anschlussstecker des Elektrowerkzeuges muss in die Steckdose passen. Der Stecker darf in keiner Weise verändert werden. Verwenden Sie keine Adapterstecker gemeinsam mit Schutzgeerdeten Elektrowerkzeugen.** Unveränderte Stecker und passende Steckdosen verringern das Risiko eines elektrischen Schlages.
- b) **Vermeiden Sie Körperkontakt mit geerdeten Oberflächen, wie von Rohren, Heizungen, Herden und Kühlschränken.** Es besteht ein erhöhtes Risiko durch elektrischen Schlag, wenn Ihr Körper geerdet ist.
- c) **Halten Sie das Elektrowerkzeug von Regen oder Nässe fern.** Das Eindringen von Wasser in ein Elektrogerät erhöht das Risiko eines elektrischen Schlages.
- d) **Zweckfremden Sie das Kabel nicht, um das Elektrowerkzeug zu tragen, aufzuhängen oder um den Stecker aus der Steckdose zu ziehen. Halten Sie das Kabel fern von Hitze, Öl, scharfen Kanten oder sich bewegenden Elektrowerkzeugteilen.** Beschädigte oder verwickelte Kabel erhöhen das Risiko eines elektrischen Schlages.
- e) **Wenn Sie mit einem Elektrowerkzeug im Freien arbeiten, verwenden Sie nur Verlängerungskabel, die auch für den Außenbereich zugelassen sind.** Die Anwendung eines für den Außenbereich geeigneten Verlängerungskabels verringert das Risiko eines elektrischen Schlages.
- f) **Wenn der Betrieb des Elektrowerkzeuges in feuchter Umgebung nicht vermeidbar ist, verwenden Sie einen Fehlerstromschutzschalter.** Der Einsatz eines Fehlerstromschutzschalters vermindert das Risiko eines elektrischen Schlages.
- 3) SICHERHEIT VON PERSONEN**
- a) **Seien Sie aufmerksam, achten Sie darauf, was Sie tun, und gehen Sie mit Vernunft an die Arbeit mit einem Elektrowerkzeug. Benutzen Sie das Elektrowerkzeug nicht, wenn Sie müde sind oder unter dem Einfluss von Drogen, Alkohol oder Medikamenten stehen.** Ein Moment der Unachtsamkeit beim Gebrauch des Elektrowerkzeuges kann zu ernsthaften Verletzungen führen.
- b) **Tragen Sie persönliche Schutzausrüstung und immer eine Schutzbrille.** Das Tragen persönlicher Schutzausrüstung, wie Staubmaske, rutschfeste Sicherheitsschuhe, Schutzhelm oder Gehörschutz, je nach Art und Einsatz des Elektrowerkzeuges, verringert das Risiko von Verletzungen.
- c) **Vermeiden Sie eine unbeabsichtigte Inbetriebnahme. Vergewissern Sie sich, dass das Elektrowerkzeug ausgeschaltet ist, bevor Sie es an die Stromversorgung und/oder den Akku anschließen, es aufnehmen oder tragen.** Wenn Sie beim Tragen des Elektrowerkzeuges den Finger am Schalter haben oder das Elektrowerkzeug eingeschaltet an die Stromversorgung anschließen, kann dies zu Unfällen führen.
- d) **Entfernen Sie Einstellwerkzeuge oder Schraubenschlüssel, bevor Sie das Elektrowerkzeug einschalten.** Ein Werkzeug oder Schlüssel, der sich in einem drehenden Elektrowerkzeugeteil befindet, kann zu Verletzungen führen.
- e) **Überschätzen Sie sich nicht. Sorgen Sie für einen sicheren Stand und halten Sie jederzeit das Gleichgewicht.** Dadurch können Sie das Elektrowerkzeug in unerwarteten Situationen besser kontrollieren.
- f) **Tragen Sie geeignete Kleidung. Tragen Sie keine weite Kleidung oder Schmuck. Halten Sie Haare und Kleidung fern von sich bewegenden Teilen.** Lockere Kleidung, Schmuck oder lange Haare können von sich bewegenden Teilen erfasst werden.
- g) **Wenn Staubabsaug- und -auffangeinrichtungen montiert werden können, vergewissern Sie sich, dass diese angeschlossen sind und richtig verwendet werden.** Verwendung einer Staubabsaugung verringert Gefährdungen durch Staub.
- h) **Wiegen Sie sich nicht in falscher Sicherheit und setzen Sie sich nicht über die Sicherheitsregeln für Elektrowerkzeuge hinweg, auch wenn Sie nach vielfachem Gebrauch mit dem Elektrowerkzeug vertraut sind.** Achtlloses Handeln kann binnen Sekundenbruchteilen zu schweren Verletzungen führen.
- 4) SORGFÄLTIGER UMGANG UND GEBRAUCH VON ELEKTROWERKZEUGEN**
- a) **Überlasten Sie das Elektrowerkzeug nicht. Verwenden Sie für Ihre Arbeit das dafür bestimmte Elektrowerkzeug.** Mit dem passenden Elektrowerkzeug arbeiten Sie besser und sicherer im angegebenen Leistungsbereich.
- b) **Benutzen Sie kein Elektrowerkzeug, dessen Schalter defekt ist.** Ein Elektrowerkzeug, das sich nicht mehr ein- oder ausschalten lässt, ist gefährlich und muss repariert werden.
- c) **Ziehen Sie den Stecker aus der Steckdose und/oder entfernen Sie einen abnehmbaren Akku, bevor Sie Geräteeinstellungen vornehmen, Zubehörteile wechseln oder das Elektrowerkzeug weglegen.** Diese Vorsichtsmaßnahme verhindert den unbeabsichtigten Start des Elektrowerkzeuges.
- d) **Bewahren Sie unbenutzte Elektrowerkzeuge außerhalb der Reichweite von Kindern auf. Lassen Sie Personen das Elektrowerkzeug nicht benutzen, die mit diesem nicht vertraut sind oder diese Anweisungen nicht gelesen haben.** Elektrowerkzeuge sind gefährlich, wenn Sie von unerfahrenen Personen benutzt werden.
- e) **Pflegen Sie Elektrowerkzeuge und Zubehör mit Sorgfalt. Kontrollieren Sie, ob bewegliche Elektrowerkzeugteile einwandfrei funktionieren und nicht klammern, ob Teile gebrochen oder so beschädigt sind, dass die Funktion des Elektrowerkzeuges beeinträchtigt ist. Lassen Sie**

beschädigte Teile vor dem Einsatz des Elektrowerkzeuges reparieren. Viele Unfälle haben ihre Ursache in schlecht gewarteten Elektrowerkzeugen.

- f) **Halten Sie Schneidwerkzeuge scharf und sauber.** Sorgfältig gepflegte Schneidwerkzeuge mit scharfen Schneidkanten verklemmen sich weniger und sind leichter zu führen.
 - g) **Verwenden Sie Elektrowerkzeug, Zubehör, Einsatzwerkzeuge usw. entsprechend diesen Anweisungen. Berücksichtigen Sie dabei die Arbeitsbedingungen und die auszuführende Tätigkeit.** Der Gebrauch von Elektrowerkzeugen für andere als die vorgesehenen Anwendungen kann zu gefährlichen Situationen führen.
 - h) **Halten Sie Griffe und Griffflächen trocken, sauber und frei von Öl und Fett.** Rutschige Griffe und Griffflächen erlauben keine sichere Bedienung und Kontrolle des Elektrowerkzeuges in unvorhergesehenen Situationen.
- 5) SERVICE**
- a) **Lassen Sie Ihr Elektrowerkzeug nur von qualifiziertem Fachpersonal und nur mit Original-Ersatzteilen reparieren.** Damit wird sichergestellt, dass die Sicherheit des Elektrowerkzeuges erhalten bleibt.

SICHERHEITSHINWEISE FÜR POLIERER

1) GEMEINSAME SICHERHEITSHINWEISE ZUM POLIEREN

- a) **Dieses Elektrowerkzeug ist zu verwenden als Polierer. Beachten Sie alle Warnhinweise, Anweisungen, Darstellungen und Daten, die Sie mit dem Werkzeug erhalten.** Wenn Sie die folgenden Anweisungen nicht beachten, kann es zu elektrischem Schlag, Feuer und/oder schweren Verletzungen kommen.
 - b) **Dieses Elektrowerkzeug wird nicht zum Schleifen, Schmirgeln, Bürsten oder Schneiden empfohlen.** Anwendungen, für die dieses Elektrowerkzeug nicht ausgelegt ist, stellen ein Risiko dar; es besteht Verletzungsgefahr.
 - c) **Lassen Sie keine losen Teile der Polierhaube, insbesondere Befestigungsschnüre, zu. Verstauen oder kürzen Sie die Befestigungsschnüre.** Lose, sich mittelführende Befestigungsschnüre können Ihre Finger erfassen oder sich im Werkstück verfangen.
 - d) **Verwenden Sie kein Zubehör, das vom Hersteller nicht speziell für dieses Elektrowerkzeug vorgesehen und empfohlen wurde.** Nur weil Sie das Zubehör an Ihrem Elektrowerkzeug befestigen können, garantiert das keine sichere Verwendung.
 - e) **Die zulässige Drehzahl des Zubehörs muss mindestens so hoch sein wie die auf dem Elektrowerkzeug angegebene Höchstdrehzahl.** Zubehör, das sich schneller als zulässig dreht, kann zerstört werden.
 - f) **Außendurchmesser und Dicke des Zubehörs müssen den Maßangaben Ihres Elektrowerkzeuges entsprechen.** Falsch bemessenes Zubehör kann nicht ausreichend abgeschirmt oder kontrolliert werden.
 - g) **Einsatzwerkzeuge mit Gewindeinsatz müssen genau auf das Gewinde der Schleifspindel passen. Bei Einsatzwerkzeugen, die mittels Flansch montiert werden, muss der Lochdurchmesser des Einsatzwerkzeuges zum Aufnahmedurchmesser des Flansches passen.** Einsatzwerkzeuge, die nicht genau am Elektrowerkzeug befestigt werden, drehen sich ungleichmäßig, vibrieren sehr stark und können zum Verlust der Kontrolle führen.
- h) **Verwenden Sie kein beschädigtes Zubehör. Kontrollieren Sie vor jeder Verwendung Zubehör wie Schleifscheiben auf Absplitterungen und Risse, Schleifteller auf Risse, Verschleiß oder starke Abnutzung, Drahtbürsten auf lose oder gebrochene Drähte. Wenn das Elektrowerkzeug oder das Zubehör herunterfällt, überprüfen Sie, ob es beschädigt ist, oder verwenden Sie ein unbeschädigtes Zubehör. Wenn Sie das Zubehör kontrolliert und eingesetzt haben, halten Sie und in der Nähe befindliche Personen sich außerhalb der Ebene des rotierenden Zubehörs und lassen Sie das Werkzeug eine Minute lang mit Höchstdrehzahl laufen.** Beschädigtes Zubehör brecht meist in dieser Testzeit.
 - i) **Tragen Sie persönliche Schutzausrüstung. Verwenden Sie je nach Anwendung Vollgesichtsschutz, Augenschutz oder Schutzbrille. Soweit angemessen, tragen Sie Staubmaske, Gehörschutz, Schutzhandschuhe oder Spezialschürze, die kleine Schleif- und Materialpartikel von Ihnen fernhält.** Die Augen sollen vor herumfliegenden Fremdkörpern geschützt werden, die bei verschiedenen Anwendungen entstehen. Staub- oder Atemschutzmaske müssen den bei der Anwendung entstehenden Staub filtern. Wenn Sie lange lautem Lärm ausgesetzt sind, können Sie einen Hörverlust erleiden. Verwenden Sie je nach Anwendung Vollgesichtsschutz, Augenschutz oder Schutzbrille. Soweit angemessen, tragen Sie Staubmaske, Gehörschutz, Schutzhandschuhe oder Spezialschürze, die kleine Schleif- und Materialpartikel von Ihnen fernhält. Die Augen sollen vor herumfliegenden Fremdkörpern geschützt werden, die bei verschiedenen Anwendungen entstehen. Staub- oder Atemschutzmaske müssen den bei der Anwendung entstehenden Staub filtern. Wenn Sie lange lautem Lärm ausgesetzt sind, können Sie einen Hörverlust erleiden.
 - j) **Achten Sie bei anderen Personen auf sicheren Abstand zu Ihrem Arbeitsbereich. Jeder, der den Arbeitsbereich betritt, muss persönliche Schutzausrüstung tragen.** Bruchstücke des Werkstücks oder gebrochenes Zubehör können wegfliegen und Verletzungen auch außerhalb des direkten Arbeitsbereichs verursachen.
 - k) **Fassen Sie das Elektrowerkzeug nur an den isolierten Griffflächen, wenn Sie Arbeiten ausführen, bei denen das Zubehör verborgene Stromleitungen oder das eigene Netzkabel treffen kann.** Der Kontakt mit einer spannungsführenden Leitung kann auch Metallteile des Elektrowerkzeuges unter Spannung setzen und zu einem elektrischen Schlag führen.
 - l) **Halten Sie das Netzkabel von sich drehenden Zubehör fern.** Wenn Sie die Kontrolle über das Werkzeug verlieren, kann das Netzkabel durchtrennt oder erfasst werden und Ihre Hand oder Ihr Arm in das sich drehende Zubehör geraten.

- m) **Legen Sie das Elektrowerkzeug niemals ab, bevor das Zubehör völlig zum Stillstand gekommen ist.** Das sich drehende Zubehör kann in Kontakt mit der Ablagefläche geraten, wodurch Sie die Kontrolle über das Elektrowerkzeug verlieren können.
- n) **Lassen Sie das Elektrowerkzeug nicht laufen, während Sie es tragen/transportieren.** Ihre Kleidung kann durch zufälligen Kontakt mit dem sich drehenden Zubehör erfasst werden, und das Zubehör sich in Ihren Körper bohren.
- o) **Reinigen Sie regelmäßig die Lüftungsschlitze Ihres Elektrowerkzeugs.** Das Motorgebläse zieht Staub in das Gehäuse, und eine starke Ansammlung von Metallstaub kann elektrische Gefahren verursachen.
- p) **Verwenden Sie das Elektrowerkzeug nicht in der Nähe brennbarer Materialien.** Funken können diese Materialien entzünden.
- q) **Verwenden Sie kein Zubehör, das flüssige Kühlmittel erfordern.** Die Verwendung von Wasser oder anderen flüssigen Kühlmitteln kann zu einem elektrischen Schlag führen.
- 2) RÜCKSCHLAG UND ENTSPRECHENDE WARNHINWEISE**
- Rückschlag ist die plötzliche Reaktion infolge eines hakenden oder blockierten drehenden Zubehörs, wie Schleifscheibe, Schleifteller, Drahtbürste usw. Verhaken oder Blockieren führt zu einem abrupten Stopp des rotierenden Zubehörs. Dadurch wird ein unkontrolliertes Elektrowerkzeug gegen die Drehrichtung des Zubehörs an der Blockierstelle beschleunigt.
 - Wenn z. B. eine Schleifscheibe im Werkstück hakt oder blockiert, kann sich die Kante der Schleifscheibe, die in das Werkstück eintaucht, verfangen und dadurch die Schleifscheibe ausbrechen oder einen Rückschlag verursachen. Die Schleifscheibe bewegt sich dann auf die Bedienperson zu oder von ihr weg, je nach Drehrichtung der Scheibe an der Blockierstelle. Hierbei können Schleifscheiben auch brechen.
 - Ein Rückschlag ist die Folge eines falschen oder fehlerhaften Gebrauchs des Elektrowerkzeugs. Er kann durch geeignete Vorsichtsmaßnahmen, wie nachfolgend beschrieben, verhindert werden.
- a) **Halten Sie das Elektrowerkzeug gut fest und bringen Sie Ihren Körper und Ihre Arme in eine Position, in der Sie die Rückschlagkräfte abfangen können. Verwenden Sie immer den Zusatzgriff, falls vorhanden, um die größtmögliche Kontrolle über Rückschlagkräfte oder Reaktionsmomente beim Hochlauf zu haben.** Die Bedienperson kann durch geeignete Vorsichtsmaßnahmen die Rückschlag- und Reaktionskräfte beherrschen.
- b) **Bringen Sie Ihre Hand nie in die Nähe sich drehendes Zubehör.** Das Zubehör kann sich beim Rückschlag über Ihre Hand bewegen.
- c) **Meiden Sie mit Ihrem Körper den Bereich, in den das Elektrowerkzeug bei einem Rückschlag bewegt wird.** Der Rückschlag treibt das Elektrowerkzeug in die Richtung entgegengesetzt zur Bewegung der Schleifscheibe an der Blockierstelle.
- d) **Arbeiten Sie besonders vorsichtig im Bereich von Ecken, scharfen Kanten usw. Verhindern Sie, dass Zubehör vom Werkstück zurückprallt und**

verklemt. Das rotierende Zubehör neigt bei Ecken, scharfen Kanten oder wenn es abprallt, dazu, sich zu verklemmen. Dies verursacht einen Kontrollverlust oder Rückschlag.

- e) **Verwenden Sie kein Ketten- oder gezähntes Sägeblatt.** Solches Zubehör verursacht häufig einen Rückschlag oder den Verlust der Kontrolle über das Elektrowerkzeug.

ZUSÄTZLICHE SICHERHEITSHINWEISE

ALLGEMEINES

- Dieses Werkzeug nur zum Trockenpolieren verwenden
- Nur die mit diesem Werkzeug mitgelieferten Flansche verwenden
- Der Benutzer dieses Werkzeuges sollte älter als 16 Jahre sein
- **Ziehen Sie grundsätzlich den Netzstecker, bevor Sie beliebige Änderungen an den Einstellungen oder einen Zubehörwechsel vornehmen**
- **Bearbeiten Sie kein asbesthaltiges Material** (Asbest gilt als krebserregend)

ZUBEHÖR

- SKIL kann nur dann die einwandfreie Funktion des Werkzeuges zusichern, wenn das entsprechende Zubehör verwendet wird, welches bei ihren Fachhändlern erhältlich ist
- Bei Verwendung von Fremdfabrikaten beim Zubehör bitte die Hinweise des Herstellers beachten
- Nur Zubehör verwenden, dessen zulässige Drehzahl mindestens so hoch ist wie die höchste Leerlaufdrehzahl des Werkzeuges
- Verwenden Sie niemals Zubehör mit geschlossenem Gewinde unter einer Größe von M14 x 21 mm
- Kein rissiges, verformtes oder vibrierendes Zubehör benutzen
- Mit Zubehör vorsichtig umgehen und sorgfältig bewahren

ANWENDUNG IM FREIEN

- Bei Anwendung im Freien das Werkzeug über einen Fehlerstrom- (FI) Schutzschalter mit einem Auslösestrom von 30 mA max. anschließen, und nur ein Verlängerungskabel benutzen, das für die Anwendung im Freien vorgesehen und mit einer spritzwassergeschützten Anschlussstelle versehen ist

VOR DER ANWENDUNG

- Stets nachprüfen, daß die Netzspannung mit der auf dem Typenschild des Werkzeuges angegebenen Spannung übereinstimmt
- Immer den Zusatzgriff A ② oder B ② anbringen; das Werkzeug nie ohne ihn verwenden
- Staub von Materialien wie Farbe, die Blei enthält, einigen Holzarten, Mineralien und Metall kann schädlich sein (Kontakt mit oder Einatmen des Staubs kann zu allergischen Reaktionen und/oder Atemwegserkrankheiten beim Bediener oder Umstehenden führen); **tragen Sie eine Staubmaske und arbeiten Sie mit einem Staubabsaugungssystem, wenn ein solches angeschlossen werden kann**
- Bestimmte Arten von Staub sind als karzinogen klassifiziert (beispielsweise Eichen- und Buchenholzstaub), insbesondere in Verbindung mit Zusätzen für die Holzvorbehandlung; **tragen Sie eine Staubmaske und arbeiten Sie mit einem**

Staubabsaugungssystem, wenn ein solches angeschlossen werden kann

- Beachten Sie die für Ihr verwendetes Verbrauchsmaterial gültigen nationalen Staubschutzvorgaben
- **Sichern Sie das Werkstück** (ein mit Spannvorrichtungen oder Schraubstock festgehaltenes Werkstück ist sicherer gehalten als mit der Hand)
- Das Werkzeug darf nicht in einen Schraubstock gespannt werden
- Bei Benutzung von Verlängerungskabeln ist darauf zu achten, daß das Kabel vollständig abgerollt ist und eine Kapazität von 16 A hat

WÄHREND DER ANWENDUNG

- Beim Arbeiten das Werkzeug immer mit beiden Händen festhalten und einen sicheren Stand einnehmen
- Das Kabel immer von umlaufenden Teilen des Werkzeuges fernhalten; das Kabel nach hinten vom Werkzeug weg führen
- Wird bei der Arbeit das Kabel beschädigt oder durchtrennt, Kabel nicht berühren, sondern sofort den Netzstecker ziehen
- Werkzeug nicht weiter verwenden, wenn das Kabel beschädigt ist; lassen Sie dieses von einem anerkannten Elektrofachmann ersetzen
- Bei elektrischer oder mechanischer Fehlfunktion das Werkzeug sofort ausschalten und den Netzstecker ziehen
- Bei Unterbrechung der Stromversorgung oder versehentlichem Ziehen des Netzsteckers Schalter H ② loslassen um unkontrolliertes Wiederanlaufen zu verhindern

NACH DER ANWENDUNG

- Sobald Sie sich von Ihrem Werkzeug entfernen, sollte dieses ausgeschaltet werden und sollten die sich bewegenden Teile vollkommen zum Stillstand gekommen sein
- Zubehör darf nach dem Ausschalten des Antriebes nicht durch seitliches Gegendrücken gebremst werden

ERKLÄRUNG DER SYMBOLE AUF DEM WERKZEUG

- ③ Die Bedienungsanleitung vor dem Gebrauch lesen
- ④ Schutzbrille und Gehörschutz tragen
- ⑤ Doppelte Isolierung (kein Erdleiter erforderlich)
- ⑥ Das Werkzeug nicht in den Hausmüll werfen

BEDIENUNG

- Montieren der Zusatzgriffe ⑦
! Netzstecker ziehen
 - Zusatzgriff A kann rechts oder links am Werkzeug angeschraubt werden (je nach auszuführender Arbeit)
 - Zusatzgriff B wie in der Abbildung anbringen und beide beigefügten Schrauben mit Sechskantschlüssel C anziehen
- Montieren des Zubehörs ②
! Netzstecker ziehen
 - Spindel D und alle zu montierenden Teile reinigen
 - schrauben Sie den Schleifteller mit dem VELCRO-Klettgewebe E auf Spindel D, während Sie Spindelarretierungsknopf F drücken**! Spindelarretierungsknopf F nur dann drücken, wenn Spindel D stillsteht**

- drücken Sie einfach Wollhaube G auf VELCRO-Schleifteller E
- zum Entfernen des Zubehörs in umgekehrter Reihenfolge vorgehen
- Vor dem Gebrauch Ihres Werkzeuges
 - sicherstellen, daß das Zubehör richtig montiert und fest angezogen ist
 - den freien Lauf des montierten Zubehörs durch Drehen von Hand überprüfen
 - einen Probelauf vornehmen, bei dem Sie das Werkzeug in einer sicheren Position mindestens 60 Sekunden mit höchster Geschwindigkeit unbelastet laufen lassen
 - bei beträchtlichen Vibrationen oder anderen Defekten das Werkzeug sofort ausschalten und die mögliche Ursache herausfinden
- Ein/Aus
 - das Werkzeug wird durch Druck auf/Loslassen von Schalter H ② ein-/ausgeschaltet
- Elektronischer Sanftanlauf
 - Sichert das Erreichen der Maximalgeschwindigkeit ohne den plötzlichen Ruck beim Einschalten des Werkzeuges
- Arretierung des Schalters für Dauerlauf
 - Schalter H drücken
 - Knopf J mit Ihrem Daumen drücken
 - lösen Sie die Feststellung durch wieder auf Schalter H zu drücken und diese dann loszulassen
- Drehzahlregelung ③
 - mit dem Rad K wird die Maximalgeschwindigkeit von niedrig bis hoch eingestellt (1-MAX)
 - Rad K in Position 1 (niedrigste Geschwindigkeit) einschalten
 - bei Bedarf eine höhere Geschwindigkeit bei laufendem Werkzeug wählen
 - die optimale Arbeitsgeschwindigkeit hängt vom Material ab und kann durch praktische Versuche festgestellt werden
- Bedienung des Werkzeuges
 - das Werkzeug einschalten
 - Werkzeug vollständig auf zu polierende Oberfläche setzen und gleichmäßig in Abschnitten darüber bewegen
 - ein Durchgang sollte den vorherigen um die Hälfte überlappen
 - auf keinen Fall in der Bewegung an einer Stelle innehalten, um Brandflecken auf der Beschichtung zu vermeiden
 - das Werkzeug nicht kreisförmig bewegen, um eine Fleckenbildung oder Brandflecken auf der Beschichtung zu vermeiden**! vor dem Ausschalten des Werkzeuges sollte dieses vom Werkstück abgenommen werden**
! nach dem Ausschalten des Werkzeuges dreht sich das Zubehör noch einige Sekunden weiter
- Halten und Führen des Werkzeuges ⑨
 - ! Werkzeug beim Arbeiten immer am grauen Griffbereich fassen**
 - halten Sie das Werkzeug mit beiden Händen fest, um es stets unter Kontrolle zu haben
 - auf sicheren Stand achten

! **nicht soviel Druck auf das Werkzeug ausüben, daß es zum Stillstand kommt**

- Lüftungsschlitze L ② unbedeckt halten

WARTUNG / SERVICE

- Werkzeug vor Stoß-, Schlag- und Fetteinwirkung schützen
- Halten Sie Werkzeug und Kabel immer sauber (insbesondere die Lüftungsschlitze L ②)
! **Netzstecker vor dem Säubern ziehen**
! **versuchen Sie nicht zu reinigen indem Sie spitze Gegenstände durch die Lüftungsschlitze stecken**
- Sollte das Elektrowerkzeug trotz sorgfältiger Herstellungs- und Prüfverfahren einmal ausfallen, ist die Reparatur von einer autorisierten Kundendienststelle für SKIL-Elektrowerkzeuge ausführen zu lassen
 - das Werkzeug **unzerlegt**, zusammen mit dem Kaufbeleg, an den Lieferer oder die nächste SKIL-Vertragswerkstätte senden (die Anschriften so wie die Ersatzteilzeichnung des Werkzeuges finden Sie unter www.skil.com)

UMWELT

- **Elektrowerkzeuge, Zubehör und Verpackungen nicht in den Hausmüll werfen** (nur für EU-Länder)
 - gemäss Europäischer Richtlinie 2012/19/EG über Elektro- und Elektronik- Altgeräte und Umsetzung in nationales Recht müssen nicht mehr gebrauchsfähige Elektrowerkzeuge getrennt gesammelt und einer umweltgerechten Wiederverwertung zugeführt werden
 - hieran soll Sie Symbol ⑥ erinnern

GERÄUSCH / VIBRATION

- Gemessen gemäß EN 60745 beträgt der Schalldruckpegel dieses Gerätes 86 dB(A) und der Schalleistungspegel 97 dB(A) (Standardabweichung: 3 dB), und die Vibration $8,5 \text{ m/s}^2$ (Vektorsumme dreier Richtungen; Unsicherheit $K = 1,5 \text{ m/s}^2$)
- Die Vibrationsemissionsstufe wurde mit einem standardisierten Test gemäß EN 60745 gemessen; Sie kann verwendet werden, um ein Werkzeug mit einem anderen zu vergleichen und als vorläufige Beurteilung der Vibrationsexposition bei Verwendung des Werkzeugs für die angegebenen Anwendungszwecke
 - die Verwendung des Werkzeugs für andere Anwendungen oder mit anderem oder schlecht gewartetem Zubehör kann die Expositionsstufe erheblich **erhöhen**
 - Zeiten, zu denen das Werkzeug ausgeschaltet ist, oder wenn es läuft aber eigentlich nicht eingesetzt wird, können die Expositionsstufe erheblich **verringern**
- ! **schützen Sie sich vor den Auswirkungen der Vibration durch Wartung des Werkzeugs und des Zubehörs, halten Sie Ihre Hände warm und organisieren Sie Ihren Arbeitsablauf**

NL

Polijstmachine

9955

INTRODUCTIE

- Deze machine is bestemd voor het polijsten van metalen, kunststof en gecoate oppervlakken en voor het polijsten van stenen materialen zonder gebruik van water
- Lees en bewaar deze gebruiksaanwijzing ③

TECHNISCHE GEGEVENS ①

MACHINE-ELEMENTEN ②

- A Extra handgreep
- B Extra handgreep (type D)
- C Zeskantsleutel
- D As
- E Steunschijf (VELCRO)
- F Asvergrendelknop
- G Wollen vacht
- H Aan/uit schakelaar
- J Knop voor vergrendelen van aan/uit schakelaar
- K Instelwielje voor maximum-snelheid/koppel
- L Ventilatie-openingen

VEILIGHEID

ALGEMENE VEILIGHEIDSWAARSCHUWINGEN VOOR ELEKTRISCHE GEREEDSCHAPPEN

⚠ WAARSCHUWING Lees alle veiligheidswaarschuwingen, aanwijzingen, afbeeldingen en specificaties die bij dit elektrische gereedschap worden geleverd. Als de hieronder vermelde aanwijzingen niet worden opgevolgd, kan dit een elektrische schok, brand en/of ernstig letsel tot gevolg hebben. **Bewaar alle waarschuwingen en voorschriften voor toekomstig gebruik.** Het in de waarschuwingen gebruikte begrip "elektrisch gereedschap" heeft betrekking op elektrische gereedschappen voor gebruik op het stroomnet (met netsnoer) en op elektrische gereedschappen voor gebruik met een accu (zonder netsnoer).

1) VEILIGHEID VAN DE WERKOMGEVING

- a) **Houd uw werkomgeving schoon en opgeruimd.** Een rommelige of onverlichte werkomgeving kan tot ongevallen leiden.
- b) **Werk met het gereedschap niet in een omgeving met explosiegevaar waarin zich brandbare vloeistoffen, gassen of stof bevinden.** Elektrische gereedschappen veroorzaken vonken die het stof of de dampen tot ontsteking kunnen brengen.
- c) **Houd kinderen en andere personen tijdens het gebruik van het elektrische gereedschap uit de buurt.** Wanneer u wordt afgeleid, kunt u de controle over het gereedschap verliezen.

2) ELEKTRISCHE VEILIGHEID

- a) **De aansluitstekker van het gereedschap moet in het stopcontact passen. De stekker mag in geen geval**

- worden veranderd. **Gebruik geen adapterstekkers in combinatie met geaarde gereedschappen.** Onveranderde stekkers en passende stopcontacten veranderen het risico van een elektrische schok.
- b) **Voorkom aanraking van het lichaam met geaarde oppervlakken, bijvoorbeeld van buizen, verwarmingen, fornuizen en koelkasten.** Er bestaat een verhoogd risico door een elektrische schok wanneer uw lichaam geaard is.
- c) **Houd het gereedschap uit de buurt van regen en vocht.** Het binnendringen van water in het elektrische gereedschap vergroot het risico van een elektrische schok.
- d) **Gebruik de kabel niet voor een verkeerd doel, om het gereedschap te dragen of op te hangen of om de stekker uit het stopcontact te trekken. Houd de kabel uit de buurt van hitte, olie, scherpe randen en bewegende gereedschapsdelen.** Beschadigde of in de war geraakte kabels vergroten het risico van een elektrische schok.
- e) **Wanneer u buitenshuis met elektrisch gereedschap werkt, dient u alleen verlengkabels te gebruiken die voor gebruik buitenshuis zijn goedgekeurd.** Het gebruik van een voor gebruik buitenshuis geschikte verlengkabel beperkt het risico van een elektrische schok.
- f) **Als het gebruik van het elektrische gereedschap in een vochtige omgeving onvermijdelijk is, dient u een aardlekschakelaar te gebruiken.** Het gebruik van een aardlekschakelaar vermindert het risico van een elektrische schok.
- ### 3) VEILIGHEID VAN PERSONEN
- a) **Wees alert, let goed op wat u doet en ga met verstand te werk bij het gebruik van het elektrische gereedschap. Gebruik het gereedschap niet wanneer u moe bent of onder invloed staat van drugs, alcohol of medicijnen.** Een moment van onoplettendheid bij het gebruik van het gereedschap kan tot ernstige verwondingen leiden.
- b) **Draag persoonlijke beschermende uitrusting en altijd een veiligheidsbril.** Het dragen van persoonlijke beschermende uitrusting zoals een stofmasker, slipvast werkschoenen, een veiligheidshelm of gehoorbescherming, afhankelijk van de aard en het gebruik van het elektrische gereedschap, vermindert het risico van verwondingen.
- c) **Voorkom per ongeluk inschakelen. Controleer dat het elektrische gereedschap uitgeschakeld is voordat u de stekker in het stopcontact steekt of de accu aansluit en voordat u het gereedschap oppakt of draagt.** Wanneer u bij het dragen van het elektrische gereedschap uw vinger aan de schakelaar hebt of wanneer u het gereedschap ingeschakeld op de stroomvoorziening aansluit, kan dit tot ongevallen leiden.
- d) **Verwijder instelgereedschappen of schroefslutels voordat u het gereedschap inschakelt.** Een instelgereedschap of sleutel in een draaiend deel van het gereedschap kan tot verwondingen leiden.
- e) **Probeer niet ver te reiken. Zorg ervoor dat u stevig staat en steeds in evenwicht blijft.** Daardoor kunt u het gereedschap in onverwachte situaties beter onder controle houden.
- f) **Draag geschikte kleding. Draag geen loshangende kleding of sieraden. Houd haren en kleding uit de buurt van bewegende delen.** Loshangende kleding, sieraden en lange haren kunnen door bewegende delen worden meegenomen.
- g) **Wanneer stofzuigings- of stofopvangvoorzieningen kunnen worden gemonteerd, dient u zich ervan te verzekeren dat deze zijn aangesloten en juist worden gebruikt.** Het gebruik van een stofzuiging beperkt het gevaar door stof.
- h) **Ondanks het feit dat u eventueel heel goed vertrouwd bent met het gebruik van gereedschappen, moet u ervoor zorgen dat u niet nonchalant wordt en veiligheidsvoorschriften voor het gereedschap gaat negeren.** Een onoplettende handeling kan binnen een fractie van een seconde ernstig letsel veroorzaken.
- ### 4) GEBRUIK EN ONDERHOUD VAN ELEKTRISCHE GEREEDSCHAPPEN
- a) **Overbelast het gereedschap niet. Gebruik voor uw werkzaamheden het daarvoor bestemde elektrische gereedschap.** Met het passende elektrische gereedschap werkt u beter en veiliger binnen het aangegeven capaciteitsbereik.
- b) **Gebruik geen elektrisch gereedschap waarvan de schakelaar defect is.** Elektrisch gereedschap dat niet meer kan worden in- of uitgeschakeld, is gevaarlijk en moet worden gerepareerd.
- c) **Trek de stekker uit het stopcontact en/of neem de accu (indien uitneembaar) uit het elektrische gereedschap voordat u het elektrische gereedschap instelt, accessoires wisselt of het elektrische gereedschap opbergt.** Deze voorzorgsmaatregel voorkomt onbedoeld starten van het elektrische gereedschap.
- d) **Bewaars niet-gebruikte elektrische gereedschappen buiten bereik van kinderen. Laat het gereedschap niet gebruiken door personen die er niet mee vertrouwd zijn en deze aanwijzingen niet hebben gelezen.** Elektrische gereedschappen zijn gevaarlijk wanneer deze door onervaren personen worden gebruikt.
- e) **Verzorg het gereedschap zorgvuldig. Controleer of bewegende delen van het gereedschap correct functioneren en niet vastklemmen en of onderdelen zodanig gebroken of beschadigd zijn dat de werking van het gereedschap nadelig wordt beïnvloed. Laat beschadigde delen repareren voordat u het gereedschap gebruikt.** Veel ongevallen hebben hun oorzaak in slecht onderhouden elektrische gereedschappen.
- f) **Houd snijdende inzetgereedschappen scherp en schoon.** Zorgvuldig onderhouden snijdende inzetgereedschappen met scherpe snijkanten klemmen minder snel vast en zijn gemakkelijker te geleiden.
- g) **Gebruik elektrische gereedschappen, toebehoren, inzetgereedschappen en dergelijke volgens deze aanwijzingen. Let daarbij op de arbeidsomstandigheden en de uit te voeren werkzaamheden.** Het gebruik van elektrische gereedschappen voor andere dan de voorziene toepassingen kan tot gevaarlijke situaties leiden.

- h) **Houd handgrepen en greepvlakken droog, schoon en vrij van olie en vet.** Gladde handgrepen en greepvlakken verhinderen dat het gereedschap in onverwachte situaties veilig kan worden gehanteerd en bediend.

5) SERVICE

- a) **Laat het gereedschap alleen repareren door gekwalificeerd en vakkundig personeel en alleen met originele vervangingsonderdelen.** Daarmee wordt gewaarborgd dat de veiligheid van het gereedschap in stand blijft.

VEILIGHEIDINSTRUCTIES VOOR POLIJSTMACHINES

1) ALGEMENE WAARSCHUWINGEN VOOR POLIJSTEN

- a) **Dit elektrische gereedschap is bestemd voor gebruik als polijstmachine. Neem alle waarschuwingen, aanwijzingen, afbeeldingen en gegevens die u bij het elektrische gereedschap ontvangt in acht.** Als u de volgende aanwijzingen niet in acht neemt, kunnen een elektrische schok, brand en/of ernstig letsel het gevolg zijn.
- b) **Dit elektrische gereedschap moet niet worden gebruikt voor slijpen, schuren, draadborstelen of afsnijden.** Gebruik van het elektrische gereedschap voor toepassingen waarvoor het niet is ontworpen, kan gevaarlijk zijn en tot letsel leiden.
- c) **De polijstkap mag geen losse delen hebben, in het bijzonder geen losse bevestigingsnoeren. Maak de bevestigingsnoeren vast of kort deze in.** Losse, meedraaiende bevestigingsnoeren kunnen uw vingers meenemen of in het werkstuk vasthaken.
- d) **Gebruik uitsluitend toebehoren dat door de fabrikant speciaal voor dit elektrische gereedschap is voorzien en geadviseerd.** Het feit dat u het toebehoren aan het elektrische gereedschap kunt bevestigen, waarborgt nog geen veilig gebruik.
- e) **Het toegestane toerental van het accessoire moet minstens zo hoog zijn als het maximale toerental dat op het elektrische gereedschap is aangegeven.** Toebehoren dat sneller draait dan is toegestaan, kan van het gereedschap af vliegen.
- f) **De buitendiameter en de dikte van het inzetgereedschap moeten overeenkomen met de maatgegevens van het elektrische gereedschap.** Inzetgereedschappen met onjuiste afmetingen kunnen niet voldoende afgeschermd of gecontroleerd worden.
- g) **Inzetgereedschappen met schroefdraadinzetstuk moeten nauwkeurig op de schroefdraad van de uitgaande as passen. De gatdiameter van met een flens gemonteerde inzetgereedschappen moet passen bij de opnamediameter van de flens.** Inzetgereedschappen die niet nauwkeurig op het elektrische gereedschap bevestigd worden, draaien ongelijkmatig, trillen sterk en kunnen tot verlies van de controle leiden.
- h) **Gebruik geen beschadigde inzetgereedschappen. Controleer voor het gebruik altijd inzetgereedschappen zoals slijpschijven op afsplinteringen en scheuren, steunschijven op scheuren of sterke slijtage en draadborstels op losse of gebroken draden. Als het elektrische gereedschap of het inzetgereedschap valt, dient u**

te controleren of het beschadigd is, of gebruik een onbeschadigd inzetgereedschap. Als u het inzetgereedschap hebt gecontroleerd en ingezet, laat u het elektrische gereedschap een minuut lang met het maximale toerental lopen. Daarbij dient u en dienen andere personen uit de buurt van het ronddraaiende inzetgereedschap te blijven.

- Beschadigde inzetgereedschappen breken meestal gedurende deze testtijd.
- i) **Draag persoonlijke beschermende uitrusting. Gebruik afhankelijk van de toepassing een volledige gezichtsbescherming, oogbescherming of veiligheidsbril. Draag voor zover van toepassing een stofmasker, een gehoorbescherming, werkhandschoenen of een speciaal schort dat kleine slijp- en metaaldeeltjes tegenhoudt.** Uw ogen moeten worden beschermd tegen wegvliegende deeltjes die bij verschillende toepassingen ontstaan. Een stof- of adembeschermingsmasker moet het bij de toepassing ontstaande stof filteren. Als u lang wordt blootgesteld aan loud lawaai, kan uw gehoor worden beschadigd.
- j) **Let erop dat andere personen zich op een veilige afstand bevinden van de plaats waar u werkt. Iedereen die de werkomgeving betreedt, moet persoonlijke beschermende uitrusting dragen.** Brokstukken van het werkstuk of gebroken inzetgereedschappen kunnen wegvliegen en verwondingen veroorzaken, ook buiten de directe werkomgeving.
- k) **Houd het elektrische gereedschap alleen vast aan de geïsoleerde greepvlakken als u werkzaamheden uitvoert waarbij het inzetgereedschap verborgen stroomleidingen of de eigen stroomkabel kan raken.** Contact met een onder spanning staande leiding kan ook metalen delen van het elektrische gereedschap onder spanning zetten en tot een elektrische schok leiden.
- l) **Houd de stroomkabel uit de buurt van draaiende inzetgereedschappen.** Als u de controle over het elektrische gereedschap verliest, kan de stroomkabel worden doorgesneden of meegenomen en uw hand of arm kan in het ronddraaiende inzetgereedschap terecht komen.
- m) **Leg het elektrische gereedschap nooit neer voordat het inzetgereedschap volledig tot stilstand is gekomen.** Het draaiende inzetgereedschap kan in contact komen met het oppervlak, waardoor u de controle over het elektrische gereedschap kunt verliezen.
- n) **Laat het elektrische gereedschap niet lopen terwijl u het draagt.** Uw kleding kan door toevallig contact met het draaiende inzetgereedschap worden meegenomen en het inzetgereedschap kan zich in uw lichaam boren.
- o) **Reinig regelmatig de ventilatieopeningen van het elektrische gereedschap.** De motorventilator trekt stof in de behuizing en een sterke ophoping van metaalstof kan elektrische gevaren veroorzaken.
- p) **Gebruik het elektrische gereedschap niet in de buurt van brandbare materialen.** Vonken kunnen deze materialen ontsteken.
- q) **Gebruik geen inzetgereedschappen waarvoor vloeibare koelmiddelen vereist zijn.** Het gebruik van water of andere vloeibare koelmiddelen kan tot een elektrische schok leiden.

2) TERUGSLAG EN BIJBEHOORENDE WAARSCHUWINGEN

- Terugslag is de plotselinge reactie als gevolg van een vasthakend of geblokkeerd draaiend inzetgereedschap, zoals een slijpschijf, steunschijf, draadborstel, enz. Vasthaken of blokkeren leidt tot abrupte stilstand van het ronddraaiende inzetgereedschap. Daardoor wordt een ongecontroleerd elektrisch gereedschap tegen de draairichting van het inzetgereedschap versneld op de plaats van de blokkering.
 - Als bijvoorbeeld een slijpschijf in het werkstuk vasthaakt of blokkeert, kan de rand van de slijpschijf die in het werkstuk invalt, zich vastgrijpen. Daardoor kan de slijpschijf uitbreken of een terugslag veroorzaken. De slijpschijf beweegt zich vervolgens naar de bediener toe of van de bediener weg, afhankelijk van de draairichting van de schijf op de plaats van de blokkering. Hierbij kunnen slijpschijven ook breken.
 - Een terugslag is het gevolg van het verkeerd gebruik of onjuiste gebruiksomstandigheden van het elektrische gereedschap. Terugslag kan worden voorkomen door geschikte voorzorgsmaatregelen, zoals hieronder beschreven.
- a) **Houd het elektrische gereedschap goed vast en breng uw lichaam en uw armen in een positie waarin u de terugslagkrachten kunt opvangen. Gebruik altijd de extra handgreep, indien aanwezig, om de grootst mogelijke controle te hebben over terugslagkrachten of reactiemomenten bij het op toeren komen.** De bediener kan door geschikte voorzorgsmaatregelen de terugslag- en reactiekrachten beheersen.
- b) **Breng uw hand nooit in de buurt van draaiende inzetgereedschappen.** Het inzetgereedschap kan bij de terugslag over uw hand bewegen.
- c) **Mijd met uw lichaam het gebied waarheen het elektrische gereedschap bij een terugslag wordt bewogen.** De terugslag drijft het elektrische gereedschap in de richting die tegengesteld is aan de beweging van de slijpschijf op de plaats van de blokkering.
- d) **Werk bijzonder voorzichtig in de buurt van hoeken, scherpe randen, enz. Voorkom dat inzetgereedschappen van het werkstuk terugspringen en vastklemmen.** Het ronddraaiende inzetgereedschap neigt er bij hoeken, scherpe randen of wanneer het terugspringt toe om zich vast te klemmen. Dit veroorzaakt een controleverlies of terugslag.
- e) **Gebruik geen kettingblad of getand zaagblad.** Zulke inzetgereedschappen veroorzaken vaak een terugslag of het verlies van de controle over het elektrische gereedschap.

EXTRA VEILIGHEIDSVOORSCHRIFTEN

ALGEMEEN

- Gebruik deze machine alleen voor droog polijsten
- Gebruik alleen de bij deze machine geleverde flenzen/spanmoeren
- Deze machine mag niet worden gebruikt door personen onder de 16 jaar
- **Trek altijd de stekker uit het stopcontact voordat u een instelling verandert of een accessoire verwisselt**

- **Bewerk geen asbesthoudend materiaal** (asbest geldt als kankerverwekkend)

ACCESSOIRES

- SKIL kan alleen een correcte werking van de machine garanderen, indien de juiste accessoires worden gebruikt, die verkrijgbaar zijn bij de vakhandel
- Neem voor het monteren/gebruiken van niet-SKIL accessoires de instructies van de betreffende fabrikant in acht
- Gebruik alleen accessoires met een toegestaan toerental, dat minstens even hoog is als het hoogste onbelaste toerental van de machine
- Gebruik nooit accessoires met een "blind" gat, waarvan de schroefdraad kleiner is dan M14 x 21 mm
- Gebruik geen beschadigde, vervormde of trillende accessoires
- Ga voorzichtig met accessoires om en berg deze zorgvuldig op

GEBRUIK BUITENSHUIS

- Sluit uw machine, bij gebruik buitenshuis, aan via een aardlekschakelaar (FI) met maximaal 30 mA uitschakelstroom, en gebruik alleen voor buitenshuis gebruik goedgekeurde verlengsnoeren, voorzien van een spatwaterdichte contactstop

VOÓR GEBRUIK

- Controleer altijd of het voltage, dat vermeld staat op het typeplaatje van de machine, overeenkomt met de netspanning
- Monteer altijd extra handgreep A ② of B ②; gebruik de machine nooit zonder deze handgreep
- Stof van materiaal zoals loodhoudende verf, sommige houtsoorten, mineralen en metaal kunnen schadelijk zijn (contact met of inademing van de stof kan allergische reacties en/of ademhalingsziekten bij gebruiker of omstanders veroorzaken); **draag een stofmasker en werk met een stofopvang-voorziening als die kan worden aangesloten**
- Bepaalde soorten stof zijn geclassificeerd als kankerverwekkend (zoals stof van eiken en beuken), met name in combinatie met toevoegingsmiddelen voor houtverzorging; **draag een stofmasker en werk met een stofopvang-voorziening als die kan worden aangesloten**
- Neem voor de door u te bewerken materialen de nationale voorschriften aangaande stofopvang in acht
- **Zet het werkstuk vast** (een werkstuk, dat is vastgezet met klemmen of in een bankschroef, zit steviger vast dan wanneer het met de hand wordt vastgehouden)
- Klem de machine niet vast in een bankschroef
- Gebruik volledig uitgerolde en veilige verlengsnoeren met een capaciteit van 16 Ampère

TIJDENS GEBRUIK

- Houd de machine tijdens het werken altijd stevig met beide handen vast en zorg ervoor, dat u stevig staat
- Houd het snoer altijd verwijderd van de bewegende delen van uw machine; richt het snoer naar achteren, van de machine weg
- Raak het snoer niet aan, als dit tijdens de werkzaamheden wordt beschadigd of doorgesneden, maar trek onmiddellijk de stekker uit het stopcontact
- Gebruik de machine niet, wanneer het snoer beschadigd is; laat dit door een erkende vakman vervangen

- In geval van elektrische of mechanische storing, de machine onmiddellijk uitschakelen en de stekker uit het stopcontact trekken
- Als de stroom is uitgevallen of de stekker per ongeluk uit het stopcontact wordt getrokken, schakelaar H ② loslaten om ongecontroleerd herstarten te voorkomen

NA GEBRUIK

- Voordat u de machine wegzet, moet de motor uitgeschakeld zijn en alle bewegende delen tot stilstand zijn gekomen
- Na uitschakeling van uw machine, nooit een draaiend accessoire stoppen door er aan de zijkant iets tegenaan te drukken

UITLEG VAN SYMBOLEN OP MACHINE

- ③ Lees de gebruiksaanwijzing vóór gebruik
- ④ Draag een veiligheidsbril en gehoorbescherming
- ⑤ Dubbele isolatie (geen aarddraad nodig)
- ⑥ Geef de machine niet met het huisvuil mee

GEBRUIK

- Monteren van extra handgrepen ⑦
 - ! **trek de stekker uit het stopcontact**
 - schroef zijhandgreep A aan de rechter- of linkerkant van de machine (afhankelijk van het werk dat gedaan moet worden)
 - monteer extra handgreep B zoals aangegeven en draai beide meegeleverde schroeven aan met zeskantsleutel C
- Monteren van accessoires ②
 - ! **trek de stekker uit het stopcontact**
 - maak as D en alle te monteren delen schoon
 - schroef VELCRO-steunschijf E op as D terwijl u op asvergrendelknop F drukt
 - ! **druk asvergrendelknop F alleen in, als as D volledig stilstaat**
 - druk eenvoudigweg wollen vacht G op VELCRO-steunschijf E
 - voor verwijderen van accessoires vice-versa handelen
- Vóór gebruik van de machine
 - zorg ervoor, dat het accessoire correct gemonteerd en stevig vastgemaakt wordt
 - controleer, of het accessoire vrij loopt door het met de hand rond te draaien
 - proefdraai de machine onbelast gedurende minstens 60 seconden op de hoogste snelheid in een veilige positie
 - stop onmiddellijk indien de machine hevig trilt, of bij andere defecten, en controleer de machine teneinde de oorzaak te vinden
- Aan/uit
 - zet uw machine aan/uit door schakelaar H ② in te drukken/los te laten
- Electronisch geregeld langzame start
 - Laat het toerental van de machine langzaam oplopen, zonder dat men bij het inschakelen een reactiekracht waarneemt
- Vastzetten van schakelaar voor continu gebruik
 - druk trekker H in
 - druk op knop J met uw duim
 - ontgrendel schakelaar door trekker H nog eens in te drukken en dan los te laten

- Toerentalregeling ⑧
 - met wieltje K kan een maximum-snelheid van laag tot hoog ingesteld worden (1-MAX)
 - start met wieltje K in stand 1 (lage snelheid)
 - selecteer zo nodig een hogere snelheid terwijl de machine is ingeschakeld
 - de optimale werksnelheid is afhankelijk van het materiaal en kan proefondervindelijk worden vastgesteld
- Werken met de machine
 - zet de machine aan
 - plaats de machine volledig op het te polijsten oppervlak en beweeg deze gelijkmatig per gedeelte
 - laat elke beweging de vorige beweging met de helft overlappen
 - stop niet op één plek om verbranden van de coating te voorkomen
 - beweeg de machine niet in cirkels om vlekken of verbranden van de coating te voorkomen
 - ! **voordat u de machine uitschakelt, dient u deze van het werkstuk op te lichten**
 - ! **het accessoire draait nog even door nadat de machine is uitgeschakeld**
- Vasthouden en leiden van de machine ⑨
 - ! **houd de machine tijdens het werk altijd vast bij het(de) grijs-gekleurde greepvlak(ken)**
 - houd de machine altijd stevig met twee handen vast, zodat u deze altijd volledig onder controle hebt
 - zorg dat u stevig staat
 - ! **belast de machine niet zó sterk, dat deze tot stilstand komt**
 - houd ventilatie-openingen L ② onbedekt

ONDERHOUD / SERVICE

- Bescherm de machine tegen slagen, stoten, en vet
- Houd machine en snoer altijd schoon (met name de ventilatie-openingen L ②)
 - ! **trek de stekker uit het stopcontact vóór het reinigen**
 - ! **geen puntige voorwerpen door de ventilatie-openingen steken**
- Mocht het elektrische gereedschap ondanks zorgvuldige fabricage- en testmethoden toch defect raken, dient de reparatie te worden uitgevoerd door een erkende klantenservice voor SKIL elektrische gereedschappen
 - stuur de machine **ongedemonteerd**, samen met het aankoopbewijs, naar het verkoopadres of het dichtstbijzijnde SKIL service-station (de adressen evenals de onderdelentekening van de machine vindt u op www.skil.com)

MILIEU

- **Geef elektrisch gereedschap, accessoires en verpakkingen niet met het huisvuil mee** (alleen voor EU-landen)
 - volgens de Europese richtlijn 2012/19/EG inzake oude elektrische en elektronische apparaten en de toepassing daarvan binnen de nationale wetgeving, dient afgedankt elektrisch gereedschap gescheiden te worden ingezameld en te worden afgevoerd naar een

recycle-bedrijf, dat voldoet aan de geldende milieu-eisen

- symbool  zal u in het afdankstadium hieraan herinneren

GELUID / VIBRATIE


- Gemeten volgens EN 60745 bedraagt het geluidsdrukniveau van deze machine 86 dB(A) en het geluidsvermogen-niveau 97 dB(A) (standaard deviatie: 3 dB), en de vibratie 8,5 m/s² (vectorsom van drie richtingen; onzekerheid K = 1,5 m/s²)
 - Het trillingsemisniveau is gemeten in overeenstemming met een gestandaardiseerde test volgens EN 60745; deze mag worden gebruikt om twee machines met elkaar te vergelijken en als voorlopige beoordeling van de blootstelling aan trilling bij gebruik van de machine voor de vermelde toepassingen
 - gebruik van de machine voor andere toepassingen, of met andere of slecht onderhouden accessoires, kan het blootstellingsniveau aanzienlijk **verhogen**
 - wanneer de machine is uitgeschakeld of wanneer deze loopt maar geen werk verricht, kan dit het blootstellingsniveau aanzienlijk **reduceren**
- ! bescherm uzelf tegen de gevolgen van trilling door de machine en de accessoires te onderhouden, uw handen warm te houden en uw werkwijze te organiseren**

S

Poleringsmaskin

9955

INTRODUKTION

- Denna maskin är avsedd att polera metall-, plast- och belagda ytor samt stenmaterial utan att använda vatten
- Läs och spara denna instruktionsbok 

TEKNISKA DATA

VERKTYGSELEMENT

- A Hjälpbandtag
- B Hjälpbandtag (typ D)
- C Sexkantnyckel
- D Spindel
- E Underlagsplatta (VELCRO)
- F Spindellåsknapp
- G Ullhuva
- H Till/från strömbrytare
- J Låsknapp för strömbrytare
- K Ratt för justering av maximalvarvtalet
- L Ventilationsöppningar

SÄKERHET

ALLMÄNNA SÄKERHETSANVISNINGAR FÖR ELVERKTYG

 **VARNING** Läs alla säkerhetsvarningar, instruktioner, illustrationer och specifikationer som

ingår med detta elverktyg. Fel som uppstår till följd av att instruktionerna nedan inte följts kan orsaka elstöt, brand och/eller allvarliga personskador. **Förvara alla varningar och anvisningar för framtida bruk.** Nedan använt begrepp "elverktyg" hänför sig till nätdrivna elverktyg (med nätsladd) och till batteridrivna elverktyg (sladdlösa).

1) ARBETSPLATSSÄKERHET

- a) **Håll arbetsplatsen ren och välbelyst.** Oordning på arbetsplatsen eller dåligt belyst arbetsområde kan leda till olyckor.
- b) **Använd inte elverktyget i explosionsfarlig omgivning med brännbara vätskor, gaser eller damm.** Elverktygen alstrar gnistor som kan antända dammet eller gaserna.
- c) **Håll under arbetet med elverktyget barn och obehöriga personer på betryggande avstånd.** Om du störs av obehöriga personer kan du förlora kontrollen över elverktyget.

2) ELEKTRISK SÄKERHET

- a) **Elverktygets stickpropp måste passa till vägguttaget. Stickproppen får absolut inte förändras. Använd inte adapterkontakter tillsammans med skyddsjordade elverktyg.** Oförändrade stickproppar och passande vägguttag reducerar risken för elektriskt slag.
- b) **Undvik kroppskontakt med jordade ytor som t. ex. rör, värmelement, spisar och kylskåp.** Det finns en större risk för elektriskt slag om din kropp är jordad.
- c) **Skydda elverktyget mot regn och väta.** Tränger vatten in i ett elverktyg ökar risken för elektriskt slag.
- d) **Missbruka inte nätsladden och använd den inte för att bära eller hänga upp elverktyget och inte heller för att dra stickproppen ur vägguttaget. Håll nätsladden på avstånd från värme, olja, skarpa kanter och rörliga maskindelar.** Skadade eller tilltrasslade ledningar ökar risken för elektriskt slag.
- e) **När du arbetar med ett elverktyg utomhus använd endast förlängningssladdar som är godkända för utomhusbruk.** Om en lämplig förlängningssladd för utomhusbruk används minskar risken för elektriskt slag.
- f) **Använd en jordfelsbrytare om det inte är möjligt att undvika elverktygets användning i fuktig miljö.** Genom att använda en jordfelsbrytare minskas risken för elstöt.

3) PERSONSÄKERHET

- a) **Var uppmärksam, kontrollera vad du gör och använd elverktyget med förnuft. Använd inte elverktyget när du är trött eller om du är påverkad av droger, alkohol eller mediciner.** Under användning av elverktyg kan även en kort ouppmärksamhet leda till allvarliga kroppsskador.
- b) **Bär alltid personlig skyddsutrustning och skyddsglasögon.** Användning av personlig skyddsutrustning som t. ex. dammfiltermask, halkfria säkerhetsskor, skyddshjälm och hörselskydd reducerar alltefter elverktygets typ och användning risken för kroppsskada.
- c) **Undvik oavsiktlig igångsättning. Kontrollera att elverktyget är fränkopplat innan du ansluter stickproppen till vägguttaget och/eller ansluter/tar**

- bort batteriet, tar upp eller bär elverktøyet.** Om du bær elverktøyet med fingret på strømsjållaren eller ansluter påkopplad elverktøytill nåtstrømmen kan ulycka oppstå.
- d) **Ta bort alla innstillingsverktøyt og skruvnycklar innen du kopplar på elverktøyet.** Ett verktøyt eller en nyckel i en roterande komponent kan medföra kroppsskada.
- e) **Øverskatta inte din fœrmåga. Se till att du står stadigt og håller balansen.** I detta fall kan du lättare kontrollera elverktøyet i ovåntade situationer.
- f) **Bær læmpelige klæder. Bær inte løst hængende klæder eller smykker. Håll håret og klæderne på avstånd frå de rœrliga delerne.** Løst hængende klæder, smykker og længt hår kan dras in av roterande delar.
- g) **Vid elverktøyt med dammsugnings- og -oppsamlingsutrustning kontrollera att anordningerne år rætt monterede og anvænds på korrekt sâtt.** Anvændning av dammsugning minskar de risikoer damm orsakar.
- h) **Låt inte vanan att ofta anvænde verktøytene gœra att du blir slarvig og ignorerer verktøytets sâkerhetsprinsipper.** En vârdsløs åtgârd kan leda till allvarlig personskada inom bråkdelen av en sekund.
- 4) OMSORGSFULL HANTERING OG ANVÆNDNING AV ELVERKTØYT**
- a) **Øverbelasta inte elverktøyet. Anvænd fœr aktuellt arbete avsett elverktøyt.** Med ett læmpelig elverktøyt kan du arbete bættre og sâkrare inom angivet effektområde.
- b) **Ett elverktøyt med defekt strømsjållare får inte længre anvænds.** Ett elverktøyt som inte kan kopplas in eller ur år farligt og mæste repareres.
- c) **Dra stickproppen ur vegguttag og/eller ta bort batteriet, om det kan tas ut ur elverktøyt, innan innstillinger utfœres, tillbehœrdelar byts ut eller elverktøyet lagras.** Denna skyddsåtgârd fœrhindrar oavsiktlig innkoppling av elverktøyet.
- d) **Fœrvara elverktøytene oåtkomlige fœr barn. Låt elverktøyet inte anvænds av personer som inte år fœrtrogn med dess anvændning eller inte læst denna anvisning.** Elverktøytene år farlige om de anvænds av oerfarna personer.
- e) **Underhåll elverktøyt og tillbehœr omsorgsfullt. Kontrollera att rœrlige komponenter fungerer felfritt og inte kârvar, att komponenter inte brustit eller skadats; orsaker som kan leda till att elverktøytets funksjoner pæverkas menligt. Låt skadade delar repareres innan elverktøyet återanvænds.** Många ulyckoer orsakas av dålig skœtta elverktøyt.
- f) **Håll skærverktøytene skarpe og rene.** Omsorgsfullt skœtta skærverktøyt med skarpe eggar kommer inte så lætt i klâm og går lættare att styra.
- g) **Anvænd elverktøyet, tillbehœr, insatsverktøyt osv. enlig dessa anvisninger. Ta hânsyn till arbeidsvillkoren og arbeidsmomenten.** Anvænds elverktøyet på ikke åndamålsenlig sâtt kan farlige situationer oppstå.
- h) **Håll handtag og greppytor tørre, rene og frie från olje og fett.** Hala handtag og greppytor ger ingen sâker hantering og kontroll øver verktøyet i ovåntade situationer.

5) SERVICE

- a) **Låt elverktøyet repareres endast av kvalificerad fackperson og med originalreservdelar.** Dette garanterer att elverktøytets sâkerhet opprâthålls.

SÂKERHETSANVISNINGER FœR POLERINGSVERKTØYT

1) GEMENSAMMA SÂKERHETSANVISNINGER FœR POLERING

- a) **Elverktøyet år avsett att fungere som poleringsmaskin. Beakta alle sâkerhetsanvisninger, anvisninger, illustrationer og data som leveres med elverktøyet.** Om nedanstående anvisninger ignoreres finns risiko fœr att elstœt, brand og/eller allvarlige personskador oppstå.
- b) **Elverktøyet rekommanderes inte fœr slipning, stålborstning eller kapning.** Åtgârdene som elverktøyet ikke har konstruert fœr kan skape fara og orsake personskador.
- c) **Se till att inga løse delar finns på polerhætten t.ex. fastspenningsband. Klâm in eller kapa fastspenningsbandene.** Løse roterande fastspenningsband kan gripe tag i fingren eller dras in i arbeidsstycket.
- d) **Anvænd ikke tillbehœr som tillverkaren ikke uttrykkelig godkænt og rekommanderet fœr dette elverktøyet.** Åven om tillbehœr kan fæstas på elverktøyet finns det ingen garanti fœr en sâker anvændning.
- e) **Insatsverktøytets tillåtna varvtal mæste åtmintstone motsvare elverktøytets angivne hœgste varvtal.** Tillbehœr med en hœgre rotasjonsfæstighet kan fœrstœres.
- f) **Insatsverktøytets ytre diameter og tjœcklek mæste motsvare elverktøytets dimensjoner.** Feldimensionerte insatsverktøyt kan ikke på betryggende sâtt avskærmes og kontrolleres.
- g) **Insatsverktøyt med gânginsats mæste passa exakt till slipspindelens gænga. Vid insatsverktøyt som monteres med flâns mæste insatsverktøytets hâldiameter passa till flânsens infæstningsdiameter.** Insatsverktøyt som ikke exakt passer till elverktøyet roterer øjåmmt, vibrerer kraftig og kan leda till att du fœrlorar kontrollen øver verktøyet.
- h) **Anvænd aldrig skadade insatsverktøyt. Kontrollera fœre varje anvændning insatsverktøytene som t.ex. slipskivor avseende splitterskador og sprickor, sliprondeller avseende sprickor, repor eller kraftig nedslitning, stålborstar avseende løse eller brustne tråder. Om elverktøyet eller insatsverktøyet skulle falla ned kontrollera om skada oppstått eller montera ett øskadet insatsverktøyt. Du og andre personer i nârheden ska efter kontroll og montering av insatsverktøyt stå utanfœr insatsverktøytets rotationsradie; låt sedan elverktøyet rotere en minut med hœgste varvtal. Skadade insatsverktøyt går i de fleste fall sœnder vid denne provkœrning.**
- i) **Anvænd personlig skyddsutrustning. Anvænd alltefter avsett arbete ansiktsskærm, øgonskydd eller skyddsfœrlåde. Om så behœvs anvænd dammfiltermask, hørselskydd, skyddshandskar eller skyddsfœrlåde som skydder mot utslungede slip- og materialpartiklar. Øgonene kan skyddas mot utslungede fræmmende partiklar som kan oppstå under**

- arbetet. Damm- och andningsskydd måste kunna filtrera bort det damm som eventuellt uppstår under arbetet. Risk finns för hörselskada under en längre tids kraftigt buller.
- j) **Se till att obehöriga personer hålls på betryggande avstånd från arbetsområdet. Alla som rör sig inom arbetsområdet måste använda personlig skyddsutrustning.** Brottstycken från arbetsstycket eller insatsverktygen kan slungas ut och orsaka personskada även utanför arbetsområdet.
- k) **Håll fast elverkytget endast vid de isolerade greppytorna när arbeten utförs på ställen där insatstillbehöret kan skada dolda elledningar eller egen nätsladd.** Kontakt med en spänningsförande ledning kan sätta elverkytgets metalldelar under spänning och leda till elstöt.
- l) **Håll nätsladden på avstånd från roterande insatsverktyg.** Om du förlorar kontrollen över elverkytget kan nätsladden kapas eller dras in varvid risk finns för att din hand eller arm dras mot det roterande insatsverktyget.
- m) **Lägg aldrig bort elverkytget innan insatsverktyget stannat fullständigt.** Det roterande insatsverktyget kan komma i beröring med underlaget varvid risk finns att du förlorar kontrollen över elverkytget.
- n) **Elverkytget får inte rotera när det bärs.** Kläder kan vid tillfällig kontakt med det roterande insatsverktyget dras in varvid insatsverktyget dras mot din kropp.
- o) **Rengör regelbundet elverkytgets ventilationsöppningar.** Motorfläkten drar in damm i huset och en kraftig anhopning av metalldamm kan orsaka farliga elströmmar.
- p) **Använd inte elverkytget i närheten av brännbara material.** Risk finns för att gnistor antänder materialet.
- q) **Använd inte insatsverktyg som kräver flytande kylmedel.** Vatten eller andra kylvätskor kan medföra elstöt.
- 2) VARNING FÖR BAKSLAG**
- Ett bakslag är en plötslig reaktion hos insatsverktyget när t.ex. slipskivan, slipprondellen, stålborsten hakar upp sig eller blockerar. Detta leder till abrupt uppbromsning av det roterande insatsverktyget. Härvid accelererar ett okontrollerat elverkyt mot insatsverktygets rotationsriktning vid inklämningsstället.
 - Om t.ex. en slipskiva hakar upp sig eller blockerar i arbetsstycket kan slipskivans kant i arbetsstycket klämmas fast varvid slipskivan bryts sönder eller orsakar bakslag. Slipskivan rör sig nu mot eller bort från användaren beroende på skivans rotationsriktning vid inklämningsstället. Härvid kan slipskivan även brytas sönder.
 - Bakslag uppstår till följd av missbruk eller felaktig hantering av elverkytget. Detta kan undvikas genom skyddsåtgärder som beskrivs nedan.
- a) **Håll stadigt i elverkytget samt kroppen och armarna i ett läge som är lämpligt för att motstå bakslagskrafter.** Använd alltid stödhandtaget för bästa möjliga kontroll av bakslagskrafter och reaktionsmoment vid start. Användaren kan genom lämpliga försiktighetsåtgärder bättre behärska bakslags- och reaktionskrafterna.
- b) **Håll alltid handen på betryggande avstånd från det roterande insatsverktyget.** Insatsverktyget kan vid ett bakslag gå mot din hand.

- c) **Undvik att hålla kroppen inom det område elverkytget vid ett bakslag rör sig.** Bakslaget kommer att driva elverkytget i motsatt riktning till slipskivans rörelse vid inklämningsstället.
- d) **Var särskilt försiktig vid bearbetning av hörn, skarpa kanter osv. Håll emot så att insatsverktyget inte studsar ut från arbetsstycket eller kommer i kläm.** På hörn, skarpa kanter eller vid studsning tenderar det roterande insatsverktyget att komma i kläm. Detta kan leda till att kontrollen förloras eller att bakslag uppstår.
- e) **Använd aldrig kedje- eller tandade sågklingsor.** Dessa insatsverktyg orsakar ofta ett bakslag eller förlust av kontrollen över elverkytget.

EXTRA SÄKERHETSANVISNINGAR

ALLMÄNT

- Använd denna maskin endast för torr polering
- Använd endast de flänsar som medföljer maskinen
- Den här maskinen ska inte användas av personer under 16 år
- **Dra alltid ur stickkontakten från väggurtaget innan du gör någon justering eller byter tillbehör**
- **Asbesthaltigt material får inte bearbetas** (asbest anses vara cancerframkallande)

TILLBEHÖR

- SKIL kan endast garantera att maskinen fungerar felfritt om rätt tillbehör används som du kan köpa hos närmaste SKIL-återförsäljare
- Vid montering av tillbehör från andra tillverkare än SKIL skall anvisningarna från vederbörande tillverkare följas
- Använd endast tillbehör vilkas tillåtna varvtal åtminstone motsvarar maskinens högsta tomgångsvarvtal
- Använd aldrig tillbehör med ett "blint" gängat hål som är mindre än M14 x 21 mm
- Använd inte skadade, deformerade eller vibrerande tillbehör
- Hantera och förvara tillbehör med försiktighet

ANVÄNDNING UTOMHUS

- Om maskinen används utomhus skall den vara ansluten till en jordfelsbrytare (FI) på högst 30 mA; använd bara en förlängningsladd avsedd för utomhusbruk och utrustad med en stänkskyddad kontakt

FÖRE ANVÄNDNINGEN

- Kontrollera alltid att den tillförda strömtypen stämmer med spänningen som anges på maskinens märkplåt
- Montera alltid extrahandtaget A ② eller B ②; använd aldrig verktyget utan det
- Viss typ av damm, exempelvis färg som innehåller bly, vissa träsorter, mineraler och metaller kan vara hälsovådliga om de inhaleras (hudkontakt eller inhalering kan ge allergisk reaktion och/eller luftvägsproblem/ sjukdom hos personer i närheten); **använd andningsskydd och arbeta med en dammuppsamlare om sådan anslutning finns**
- Vissa typer av damm är klassificerade så som carcinogena (t.ex. ek- och björkdamm) särskilt i kombination med tillsatser för träbehandling; **använd andningsskydd och arbeta med en dammuppsamlare om sådan anslutning finns**
- Följ de nationella krav, som finns angående damm, för de material du skall arbeta med

- **Sätt fast arbetsstycket** (ett arbetsstycke fastsatt med skruvvingar eller i ett skruvståd är mera stabilt än om det hålls fast för hand)
- Spänn inte fast maskinen i ett städ
- Använd helt uttrullade och säkra förlängningssladdar med kapacitet på 16 A

UNDER ANVÄNDNINGEN

- Vid arbete håll alltid maskinen stadigt med båda händerna och se till att du står stadigt
- Håll alltid sladden på säkert avstånd från rörliga maskindelar; för sladden bakåt bort från maskinen
- Skadas eller kapas nätsladden under arbetet, rör inte vid sladden utan dra genast ut stickkontakten
- Använd ej maskinen om sladden är trasig; låt den byta ut av en kvalificerad person
- I händelse av onormala elektriska eller mekaniska störningar, stäng genast av maskinen och dra ur stickkontakten
- Om det blir strömavbrott eller kontakten dras ut av misstag skall brytaren H ② släppas upp, så att maskinen inte kan starta upp igen obehåvet

EFTER ANVÄNDNINGEN

- Innan du ställer från dig maskinen måste du stänga av motorn och se till att alla rörliga delar har stannat helt
- Få aldrig tillbehöret att sluta rotera genom att utöva kraft på det från sidan efter det att maskinen har stängts av

FÖRKLARING AV SYMBOLERNA PÅ VERKTYGET

- ③ Läs bruksanvisningen före användning
- ④ Använd skyddsglasögon och hörselskydd
- ⑤ Dubbel isolering (ingen jordning krävs)
- ⑥ Maskinen får inte kastas i hushållssoporna

ANVÄNDNING

- Montering av extrahandtag ⑦
! drag ur stickkontakten
 - skruva extrahandtaget A på maskinens högra eller vänstra sida (beroende på arbetet som skall utföras)
 - montera extrahandtaget B enligt bilden och dra åt båda de medföljande skruvarna med sextaktsnyckeln C
- Montering av tillbehör ②
! drag ur stickkontakten
 - gör ren spindeln D och alla delar som skall monteras
 - skruva fast underlagsplattan av korbormaterial E på spindeln D och tryck samtidigt på spindelns låsknapp F
! tryck bara på spindellåsknappen F när spindeln D står stilla
 - tryck på ullhuvuven G på underlagsplattan av korbormaterial E
 - för borttagning av tillbehör utförs förfarandet i omvänd ordning
- Före användning av maskinen
 - försäkra dig om att tillbehöret är korrekt monterat och ordentligt åtskruvat
 - kontrollera att tillbehöret rör sig obehindrat genom att vrida det för hand
 - testkör maskinen i minst 60 sekunder på maximalt tillåtna obelastade varvtal i en säker position
 - stanna omedelbart maskinen vid kraftig vibration eller om andra fel uppstått och kontrollera maskinen för att bedöma orsaken

- Till/från
 - starta/stäng av maskinen genom att trycka in/släppa på avtryckaren H ②
- Elektronisk mjukstart
 För att mjukt och jämnt nå fram till maximalhastighet utan att maskinen rycker till när den startas
- Låsning av strömbrytare för kontinuerlig drift
 - tryck in avtryckaren H
 - tryck in knappen J med tummen
 - koppla ur låsningen genom att trycka in avtryckaren H en gång till och sedan släppa den igen
- Hastighetskontroll ⑧
 - med ratten K kan maximalvarvtalet justeras steglöst från lågt till högt (1-MAX)
 - starta med ratten K i position 1 (lägre varvtal)
 - välj ett högre varvtal vid behov när verktyget körs
 - bästa arbetshastighet är beroende på materialet och kan bäst avgöras genom att prova sig fram
- Användning av maskinen
 - starta maskinen
 - placera verktyget helt på ytan som ska poleras och flytta det i jämnt takt sektion för sektion
 - en rörelse ska överlappa den tidigare till hälften
 - stoppa inte på en enda punkt för att förhindra att beläggningen bränns
 - rör inte verktyget i cirklar för att undvika att fläcka eller bränna beläggningen
! maskinen skall tas bort från arbetsstycket innan den stängs av
! tillbehöret fortsätter att rotera en kort stund efter att maskinen stängts av
- Fattning och styrning av maskinen ⑨
! under arbetet, håll alltid verktyget i det grå greppet
 - håll alltid stadigt i maskinen med båda händerna, så att du hela tiden har full kontroll över maskinen
 - se till att du står stadigt
! utöva inte så mycket tryck på maskinen att den stannar
 - håll ventilationsöppningarna L ② ej övertäckta


UNDERHÅLL / SERVICE

- Skydda maskinen från slag, stötar och fett
- Håll alltid din maskin och sladden ren (speciellt ventilationsöppningarna L ②)
! drag ur stickkontakten innan rengöring
! rengöring får ej göras genom att föra spetsiga föremål genom ventilationsöppningarna
- Om i elverktyget trots exakt tillverkning och sträng kontroll störning skulle uppstå, bör reparation utföras av auktoriserad serviceverkstad för SKIL elverktyg
 - sänd in verktyget i **odemonterat skick** tillsammans med inköpsbevis till försäljaren eller till närmaste SKIL serviceverkstad (adresser till servicestationer och sprängskisser av maskiner finns på www.skil.com)

MILJÖ

- **Elektriska verktyg, tillbehör och förpackning får inte kastas i hushållssoporna** (gäller endast EU-länder)
 - enligt direktivet 2012/19/EG som avser äldre elektrisk och elektronisk utrustning och dess tillämpning enligt

national lagstiftning ska uttjanta elektriska verktyg sorteras separat och lämnas till miljövänlig återvinning

- symbolen  kommer att påminna om detta när det är tid att kassera

LJUD / VIBRATION


- Ljudtrycksnivån som uppmätts enligt EN 60745 är på denna maskin 86 dB(A) och ljudeffektnivån 97 dB(A) (standard deviation: 3 dB), och vibration 8,5 m/s² (vektorsumma i tre riktningar; onoggrannhet K = 1,5 m/s²)
 - Vibrationsemissionsvärdet har uppmätts enligt ett standardiserat test i enlighet med EN 60745; detta värde kan användas för att jämföra vibrationen hos olika verktyg och som en ungefärlig uppskattning av hur stor vibration användaren utsätts för när verktyget används enligt det avsedda syftet
 - om verktyget används på ett annat än det avsedda syftet eller med fel eller dåligt underhållna tillbehör kan detta drastiskt **öka** vibrationsnivån
 - när verktyget stängs av eller är på men inte används, kan detta avsevärt **minska** vibrationsnivån
- ! skydda dig mot vibration genom att underhålla verktyget och dess tillbehör, hålla händerna varma och styra upp ditt arbetssätt**

DK

Poleremaskine

9955

INLEDNING

- Dette værktøj er beregnet til at polere metal, plastik og coatede overflader samt til at polere stenmaterialer uden brug af vand
- Læs og gem denne betjeningsvejledning 

TEKNISKE DATA

VÆRKTØJETS DELE

- A Støtkehåndtag
- B Støtkehåndtag (type D)
- C Sekskantnøgle
- D Spindel
- E Sål (VELCRO)
- F Spindellåseknop
- G Uldhætte
- H Tænd/sluk afbryder
- J Knap til fastlåsning af tænd/sluk afbryderen
- K Hjul til justering af maximal-hastighed
- L Ventilationshuller

SIKKERHED

GENERELLE SIKKERHEDSINSTRUKSER FOR EL-VÆRKTØJ

 **ADVARSEL** Læs alle sikkerhedsadvarsler, instruktioner, illustrationer og specifikationer, som følger med el-værktøjet. I tilfælde af manglende overholdelse af anvisningerne nedenfor er der risiko for

elektrisk stød, brand og/eller alvorlige personskader. **Gem alle advarsler og instruktioner til senere brug.** Begrebet "el-værktøj" i advarslerne refererer til el-værktøj, der kører på lysnettet, (med netkabel) samt akku-værktøj (uden netkabel).

1) SIKKERHED PÅ ARBEJDSPLADSEN

- a) **Sørg for, at arbejdsområdet er rent og ryddeligt.** Uorden eller uoplyste arbejdsområder øger faren for uheld.
- b) **Brug ikke el-værktøjet i eksplosionstruede omgivelser, hvor der er brændbare væsker, gasser eller støv.** El-værktøj kan slå gnister, der kan antænde støv eller dampe.
- c) **Sørg for, at andre personer og ikke mindst børn holdes væk fra arbejdsområdet, når el-værktøjet er i brug.** Hvis man distraheres, kan man miste kontrollen over el-værktøjet.

2) ELEKTRISK SIKKERHED

- a) **El-værktøjets stik skal passe til kontakten. Stikket må under ingen omstændigheder ændres. Brug ikke adapterstik sammen med jordforbundet el-værktøj.** Uændrede stik, der passer til kontakterne, nedsætter risikoen for elektrisk stød.
- b) **Undgå kropskontakt med jordforbundne overflader som f.eks. rør, radiatorer, komfurer og køleskabe.** Hvis din krop er jordforbundet, øges risikoen for elektrisk stød.
- c) **El-værktøjet må ikke udsættes for regn eller fugt.** Indtrængning af vand i et el-værktøj øger risikoen for elektrisk stød.
- d) **Brug ikke ledningen til formål, den ikke er beregnet til. Du må aldrig bære el-værktøjet i ledningen, hænge el-værktøjet op i ledningen eller rykke i ledningen for at trække stikket ud af kontakten. Beskyt ledningen mod varme, olie, skarpe kanter eller maskindele, der er i bevægelse.** Beskadigede eller indviklede ledninger øger risikoen for elektrisk stød.
- e) **Hvis el-værktøjet benyttes i det fri, må der kun benyttes en forlængerledning, der er egnet til udendørs brug.** Brug af forlængerledning til udendørs brug nedsætter risikoen for elektrisk stød.
- f) **Hvis det ikke kan undgås at bruge el-værktøjet i fugtige omgivelser, skal der bruges et HFI-relæ.** Brug af et HFI-relæ reducerer risikoen for at få elektrisk stød.

3) PERSONLIG SIKKERHED

- a) **Det er vigtigt at være opmærksom, se, hvad man laver, og bruge el-værktøjet fornuftigt. Brug ikke noget el-værktøj, hvis du er træt, har nydt alkohol eller er påvirket af medikamenter eller euforiserende stoffer.** Få sekunders uopmærksomhed ved brug af el-værktøjet kan føre til alvorlige personskader.
- b) **Brug beskyttelsesudstyr og hav altid beskyttelsesbriller på.** Brug af sikkerhedsudstyr som f. eks. støvmaske, skridsikkert fodtøj, beskyttelseshjelm eller hovedværn afhængig af maskintype og anvendelse nedsætter risikoen for personskader.
- c) **Undgå utilsigtet igangsætning. Kontrollér, at el-værktøjet er slukket, før du tilslutter det til strømtilførslen og/eller akkuen, løfter eller bærer det. Undgå at bære el-værktøjet med fingeren på**

- afbryderen og sørg for, at el-værktøjet ikke er tændt, når det slutes til nettet, da dette øger risikoen for personskader.
- d) **Gør det til en vane altid at fjerne indstillingsværktøj eller skrue nøgle, før el-værktøjet tændes.** Hvis et stykke værktøj eller en nøgle sidder i en roterende maskindele, er der risiko for personskader.
- e) **Undgå en unormal legemssposition. Sørg for at stå sikkert, mens der arbejdes, og kom ikke ud af balance.** Dermed har du bedre muligheder for at kontrollere el-værktøjet, hvis der skulle opstå uventede situationer.
- f) **Brug egnet arbejdstøj. Undgå løse beklædningsgenstande eller smykker. Hold hår og tøj væk fra dele, der bevæger sig.** Dele, der er i bevægelse, kan gribe fat i løstsiddende tøj, smykker eller langt hår.
- g) **Hvis støvudsugnings- og opsamlingsudstyr kan monteres, er det vigtigt, at dette tilsluttes og benyttes korrekt.** Brug af en støvopsugning kan reducere støvmængden og dermed den fare, der er forbundet støv.
- h) **Selvom du kender værktøjet godt og er vant til at bruge det, skal du alligevel være opmærksom og overholde sikkerhedsanvisningerne.** Et øjeblik uopmærksomhed kan medføre alvorlige personskader.
- 4) OMHYGGE LIG OMGANG MED OG BRUG AF EL-VÆRKTØJ**
- a) **Undgå overbelastning af el-værktøjet. Brug altid et el-værktøj, der er beregnet til det stykke arbejde, der skal udføres.** Med det passende el-værktøj arbejder man bedst og mest sikkert inden for det angivne effektområde.
- b) **Brug ikke et el-værktøj, hvis afbryder er defekt.** Et el-værktøj, der ikke kan startes og stoppes, er farligt og skal repareres.
- c) **Træk stikket ud af stikkontakten og/eller fjern akkuen, hvis den er aftagelig, for maskinen indstilles, før skift af tilbehørsdele eller før el-værktøjet lægges til opbevaring.** Disse sikkerhedsforanstaltninger forhindrer utilsigtet start af el-værktøjet.
- d) **Opbevar ubenyttet el-værktøj uden for børns rækkevidde. Lad aldrig personer, der ikke er fortrolige med el-værktøjet eller ikke har gennemlæst disse instrukser, benytte el-værktøjet.** El-værktøj er farligt, hvis det benyttes af ukyndige personer.
- e) **Vedligehold el-værktøj og tilbehørsdele. Kontroller, om bevægelige maskindele fungerer korrekt og ikke sidder fast, og om delene er brækket eller beskadiget, således at el-værktøjets funktion påvirkes. Få beskadigede dele repareret, inden el-værktøjet tages i brug.** Mange uheld skyldes dårligt vedligeholdte el-værktøjer.
- f) **Sørg for, at skæreværktøjer er skarpe og rene.** Omhyggeligt vedligeholdte skæreværktøjer med skarpe skærekanter sætter sig ikke så hurtigt fast og er nemmere at føre.
- g) **Brug el-værktøj, tilbehør, indsatsværktøj osv. iht. disse instrukser. Tag hensyn til arbejdsforholdene og det arbejde, der skal udføres.** Anvendelse af

- el-værktøjet til formål, som ligger uden for det fastsatte anvendelsesområde, kan føre til farlige situationer.
- h) **Hold håndtag og gribeblader tørre, rene og fri for olie og smørefedt.** Hvis håndtag og gribeblader er glatte, kan værktøjet ikke håndteres og styres sikkert, hvis der sker noget uventet.
- 5) SERVICE**
- a) **Sørg for, at el-værktøj kun repareres af kvalificerede fagfolk og at der kun benyttes originale reservedele.** Dermed sikres størst mulig maskinsikkerhed.

SIKKERHEDSINSTRUKSER FOR POLEREMASKINE

1) FÆLLES SIKKERHEDSINSTRUKSER TIL POLERING

- a) **Dette el-værktøj kan anvendes som poleremaskine. Læs og overhold alle advarsler, instruktioner, illustrationer og data, som du modtager i forbindelse med el-værktøjet.** Overholder du ikke følgende instruktioner, kan du få elektrisk stød, der kan opstå brand og /eller du kan blive kvæstet alvorligt.
- b) **Dette elektriske værktøj anbefales ikke til slibning, finslibning, stålbørstning eller skæring.** Hvis man anvender det elektriske værktøj til andet end det beregnede formål, kan der opstå fare og personskade.
- c) **Undgå løse dele på poleringshætten, især fastgørelsessnore. Afkort fastgørelsessnore eller gem dem væk.** Løse, meddrejende fastgørelsessnore kan gribe fat i dine fingre eller sætte sig fast i ømnet.
- d) **Anvend kun tilbehør, hvis det er beregnet til dette el-værktøj og anbefalet af fabrikanten.** En mulig fastgørelse af tilbehøret til el-værktøjet sikrer ikke en sikker anvendelse.
- e) **Den tilladte hastighed for indsatsværktøjet skal mindst være så høj som den max. hastighed, der er angivet på el-værktøjet.** Tilbehør, der drejer hurtigere end tilladt, kan blive ødelagt.
- f) **Indsatsværktøjets udvendige diameter og tykkelse skal svare til målene på dit el-værktøj.** Forkert målte indsatsværktøjer kan ikke afskærmes eller kontrolleres tilstrækkeligt.
- g) **Indsatsværktøj med gevindindsats skal passe nøjagtigt på slibespindlens gevind. Ved indsatsværktøj, der monteres med en flange, skal indsatsværktøjets huldiameter passe til flangens holdediameter.** Indsatsværktøj, der ikke fastgøres nøjagtigt på el-værktøjet, drejer ujævnt, vibrerer meget stærkt og kan medføre, at man taber kontrollen.
- h) **Brug ikke el-værktøjet, hvis det er beskadiget. Kontroller altid før brug indsatsværktøj som f.eks. slibeskiver for afsplintninger og revner, slibebagskiver for revner, slid eller stærkt slid, trædbørster for løse eller brækkede træde. Tabs el-værktøjet eller indsatsværktøjet på jorden, skal du kontrollere, om det er beskadiget; anvend evt. et ubeskadiget indsatsværktøj. Når indsatsværktøjet er kontrolleret og indsat, skal du holde dig selv og personer, der befinder sig i nærheden, uden for det niveau, hvor indsatsværktøjet roterer, og lad el-værktøjet køre i et minut ved højeste hastighed. Beskadiget indsatsværktøj brækker for det meste i denne testtid.**
- i) **Brug personligt beskyttelsesudstyr. Brug helmaske til ansigtet, øjenværn eller beskyttelsesbriller,**

- afhængigt af det udførte arbejde. Brug afhængigt af arbejdets art støvmaske, høreværn, beskyttelseshandsker eller specialforklæde, der beskytter dig mod små slibe- og materialepartikler. Øjenene skal beskyttes mod fremmede genstande, der flyver rundt i luften og som opstår i forbindelse med forskelligt arbejde. Støv- eller åndedrætsmaske skal filtrere det støv, der opstår under arbejdet. Udsættes du for høj støj i længere tid, kan du lide høretab.
- j) **Sørg for tilstrækkelig afstand til andre personer under arbejdet. Enhver, der betragter arbejdsområdet, skal bruge personligt beskyttelsesudstyr.** Brudstykker fra emnet eller brækkede indsatsværktøjer kan flyve væk og føre til kvæstelser også uden for det direkte arbejdsområde.
- k) **Hold altid kun el-værktøjet i de isolerede gribeblader, når du udfører arbejde, hvor indsatsilbehøret kan ramme bøjede strømledninger eller el-værktøjets eget kabel.** Kontakt med en spændingsførende ledning kan også sætte el-værktøjets metaldele under spænding, hvilket kan føre til elektrisk stød.
- l) **Hold netkablet væk fra roterende indsatsværktøj.** Taber du kontrollen over el-værktøjet, kan netkablet skæres over eller rammes, og din hånd eller din arm kan trækkes ind i det roterende indsatsværktøj.
- m) **Læg aldrig el-værktøjet til side, for indsatsværktøjet står helt stille.** Det roterende indsatsværktøj kan komme i kontakt med fralægningsfladen, hvorved du kan tabe kontrollen over el-værktøjet.
- n) **Lad ikke el-værktøjet køre, mens det bæres.** Dit tøj kan blive fanget ved en tilfældig kontakt med det roterende indsatsværktøj, hvorved indsatsværktøjet kan bore sig ind i din krop.
- o) **Renørg ventilationsåbningerne på dit el-værktøj med regelmæssige mellemrum.** Motoren trækker støv ind i huset, og store mængder metalstøv kan være farligt rent elektrisk.
- p) **Brug ikke el-værktøjet i nærheden af brændbare materialer.** Gnister kan sætte ild i materialer.
- q) **Brug ikke indsatsværktøj, der transporterer flydende kølemiddel.** Brug af vand eller andre flydende kølemidler kan føre til elektrisk stød.
- 2) TILBAGESLAG OG TILSVARENDE ADVARSLER**
- Tilbageslag er en pludselig reaktion, som skyldes, at et roterende indsatsværktøj (slibemaskine, slydebagskive, trådbørste osv.) har sat sig fast eller blokerer. Fastsættelse eller blokering fører til et pludseligt stop af det roterende indsatsværktøj. Derved accelererer et ukontrolleret el-værktøj mod indsatsværktøjets drejeretning på blokeringsstedet.
 - Sidder f.eks. en slibeskive fast eller blokerer i et emne, kan kanten på slibeskiven, der dykker ned i emnet, blive siddende, hvorved slibeskiven brækker af eller fører til et tilbageslag. Slibeskiven bevæger sig så hen imod eller væk fra betjeningspersonen, afhængigt af skivens drejeretning på blokeringsstedet. I denne forbindelse kan slibeskiver også brække.
 - Et tilbageslag skyldes forkert eller fejlbehæftet brug af el-værktøjet. Det kan forhindres ved at træffe egnede forsigtighedsforanstaltninger, der beskrives i det følgende.
- Hold godt fast i el-værktøjet og sørg for at både krop og arme befinder sig i en position, der kan klare tilbageslagskræfterne.** Anvend altid ekstrahåndtag, hvis et sådant findes, for at have så meget kontrol som muligt over tilbageslagskræfterne eller reaktionsmomenterne, når maskinen kører op i hastighed. Betjeningspersonen kan beherske tilbageslags- og reaktionskræfterne med egnede forsigtighedsforanstaltninger.
 - Sørg for at din hånd aldrig kommer i nærheden af de roterende indsatsværktøjer.** Indsatsværktøjet kan bevæge sig hen over din hånd i forbindelse med et tilbageslag.
 - Undgå at din krop befinder sig i det område, hvor el-værktøjet bevæger sig i forbindelse med et tilbageslag.** Tilbageslaget driver el-værktøjet i modsat retning af slibeskivens bevægelse på blokeringsstedet.
 - Arbejd særlig forsigtig i områder som f.eks. hjørner, skarpe kanter osv. Forhindre at indsatsværktøjer slår tilbage fra emnet og sætter sig fast.** Det roterende indsatsværktøj har tendens til at sætte sig fast, når det anvendes i hjørner, skarpe kanter eller hvis det springer tilbage. Dette medfører, at man taber kontrollen eller til tilbageslag.
 - Brug ikke kædesavklinger eller tandede savklinger.** Sådanne indsatsværktøjer fører hyppigt til tilbageslag eller at man taber kontrollen over el-værktøjet.

EKSTRA SIKKERHEDSFORSKRIFTER

GENERELT

- Anvend kun dette værktøj til tør polering
- Anvend kun flangerne, der leveres med dette værktøj
- Dette værktøj må ikke bruges af personer under 16 år
- Fjern altid først stikket fra kontakten, førend De foretager nogle ændringer eller skifter tilbehør**
- Bearbejd ikke asbestholdigt materiale** (asbest er kræftfremkaldende)

TILBEHØR

- SKIL kan kun sikre en korrekt funktion af værktøjet, hvis der benyttes den rigtige tilbehør, som kan fås hos SKIL-forhandleren
- Ved montering/anvendelse af tilbehør, der ikke er fremstillet af SKIL, skal den pågældende producents instruktioner overholdes nøje
- Der må kun benyttes tilbehør, hvis godkendte omdrejningstal er mindst så højt som værktøjets max. omdrejningstal i ubelastet tilstand
- Brug aldrig tilbehør med et "blindt" gevindhul, der er mindre end M14 x 21 mm
- Anvend aldrig beskadigede, deformerede eller vibrerende tilbehør
- Tilbehør skal altid behandles og opbevares omhyggeligt

UDENDØRS BRUG

- Når værktøjet anvendes udendørs, skal det forbindes via en fejlstrømsafbryder (FI) med en triggestrøm på 30 mA maksimum, og man må kun anvende en forlængerledning, som er beregnet til udendørs brug og er udstyret med en stænkbeskyttet koblingsstikkontakt

INDEN BRUG

- Kontrollér altid at forsyningsspændingen er den samme som den spænding, der er anført på værktøjets navneskilt
- Monter altid støttegrebet A ② eller B ②; anvend aldrig værktøjet uden støttegrebet
- Støv fra materiale som f.eks. maling, der indeholder bly, nogle træsorter, mineraler og metal kan være skadeligt (kontakt med eller indånding af støvet kan forårsage allergiske reaktioner og/eller sygdomme i luftvejene hos den, der anvender værktøjet, eller hos omkringstående); **bær en støvmaske og arbejd med en støvudsugningsanordning, hvor en sådan kan slutes til**
- Visse slags støv er klassificeret som kræftfremkaldende (som f.eks. støv fra eg og bøg) især i forbindelse med tilsætningsstoffer til træbehandling; **bær en støvmaske og arbejd med en støvudsugningsanordning, hvor en sådan kan slutes til**
- Følg de nationale krav, hvad angår støv, for de materialer, du ønsker at arbejde med
- **Fastgør emnet** (det er sikrere at holde emner i en fastgøringsanordning eller skruestik end med hånden)
- Spænd ikke værktøjet fast i en skruestik
- Anvend helt udrullede og sikre forlængerledninger med en kapacitet på 16 A

UNDER BRUG

- Ved arbejde hav altid et solidt greb på værktøjet med begge hænder og sørg for at stå sikkert
- Hold altid ledningen væk fra værktøjets bevægelige dele; før altid ledningen bagud, væk fra værktøjet
- Hvis kablet beskadiges eller skræres over under arbejdet, ikke berør kablet, og straks træk ud stikket
- Brug ikke værktøjet, hvis kablet er beskadiget; få det skiftet ud af en anerkendt fagmand
- I tilfælde af elektrisk eller mekanisk fejlfunktion skal afbryderen straks afbrydes og stikket tages ud af kontakten
- I tilfælde af strømafbrydelse eller når stikket ved et uheld trækkes ud af stikkontakten, skal afbryderen H ② udløses for at forhindre utilsigtet start

EFTER BRUG

- Før man lægger værktøjet fra sig, man slukke for motoren og sikre, at alle bevægelige dele er standset helt
- Efter at man har slukket for værktøjet, må man aldrig standse tilbehørets rotation ved at påføre en sidelæns kraft mod det

FORKLARING TIL SYMBOLERNE PÅ VÆRKTØJET

- ③ Læs instruktionen inden brugen
- ④ Brug beskyttelsesbriller og høreværn
- ⑤ Dobbelt isolering (jordforbindelse unødvendig)
- ⑥ Værktøj må ikke bortskaffes som almindeligt affald

BETJENING

- Montering af støttegreb ⑦
! træk stikket ud af kontakten
 - skru støttegrebet A på højre eller venstre side af værktøjet (afhængig af det arbejde, der skal udføres)
 - monter støttegrebet B som illustreret og stram begge medfølgende skruer med stiftnøglen C

- Montering af tilbehør ②
! træk stikket ud af kontakten
 - rengør spindlen D og alle de dele, der skal monteres
 - skru VELCRO-sålen E på spindlen D, mens du trykker på knappen til at låse spindlen F
- **! tryk kun på spindellåseknappen F, når spindlen D ikke bevæger sig**
 - tryk uldhætten G fast på VELCRO-sålen E
 - ved afmontering af tilbehørgreb og omvendt
- Før ibrugtagning af værktøjet
 - vær sikker, at tilbehøret er rigtigt monteret og sidder godt fast
 - check at tilbehøret løber frit ved at dreje det rundt med hånden
 - test værktøjet i min. 60 sekunder på nøjeste omdrejningstal i en sikker position
 - ved anselig vibration eller andre defekter, stop straks værktøjet og check værktøjet for at finde den mulige årsag hertil
- Tænd/sluk
 - start/sluk værktøj ved at trække/slippe aftrækker H ②
- Elektronisk blød start
Den bløde acceleration sikrer at maximalhastigheden nås uden et pludselig ryk i værktøjet, når det startes
- Fastlåsning af afbryderen til vedvarende drift
 - træk aftrækker H
 - tryk knappen J ind med tommelfingeren
 - fastlåsningsen udløses ved at trække på aftrækker H igen og derefter slippe den
- Hastighedskontrol ⑧
 - ved hjælp af hjulet K kan maksimalhastigheden justeres trinløst fra lav til høj (1-MAX)
 - start med hjulet K i position 1 (laveste hastighed)
 - om nødvendigt kan man vælge en højere hastighed, mens værktøjet kører
 - den optimale hastighed afhænger af materialet og kan bestemmes ud fra praktiske forsøg
- Betjening af værktøjet
 - tænd værktøjet
 - anbring værktøjet med fuldstændig kontakt på den overflade, der skal poleres, og bevæg det ensartet i små områder ad gangen
 - hver bevægelse bør overlappe den foregående med en halv bevægelse
 - for at undgå at brænde den coatede overflade må man ikke stoppe værktøjet et enkelt sted
 - for at undgå pletter eller at brænde den coatede overflade må man ikke bevæge værktøjet i cirkler
- **! før der slukkes for værktøjet, skal det løftes op fra arbejdsområdet**
- **! tilbehøret fortsætter med at dreje rundt få sekunder efter at værktøjet er slukket**
- Håndtering og styring af værktøjet ⑨
! under arbejde, hold altid om værktøjet på de grå markerede grebsområde(r)
 - man skal altid holde godt fast i værktøjet med begge hænder, så man har fuldt herredømme over værktøjet på alle tidspunkter
 - man skal stille sig sådan, at man står godt og sikkert
- **! påfør ikke så meget tryk på værktøjet, at det standser**
 - hold ventilationshullerne L ② utildækkede

VEDLIGEHOLDELSE/SERVICE

- Beskyt værktøjet mod slag, stød og fedt
- Hold værktøjet og ledningen ren (især ventilationshullerne L ②)
 - ! **træk stikket ud før rensning**
 - ! **prøv ikke at rengøre ved at stikke spidse genstande igennem hullerne**
- Skulle el værktøjet trods omhyggelig fabrikation og kontrol holde op med at fungere, skal reparasjonen udføres af et autoriseret serviceværksted for SKIL-elektroværktøj
 - send den **uskilte** værktøjet sammen med et købsbevis til forhandleren eller nærmeste SKIL serviceværksted (adresser og reservedelstegning af værktøjet findes på www.skil.com)

MILJØ

- **Elværktøj, tilbehør og emballage må ikke bortskaffes som almindeligt affald** (kun for EU-lande)
 - i henhold til det europæiske direktiv 2012/19/EF om bortskaffelse af elektriske og elektroniske produkter og gældende national lovgivning, skal brugt elværktøj indsamles separat og bortskaffes på en måde, der skåner miljøet mest muligt
 - symbolet ⑥ erindrer dig om dette, når udskiftning er nødvendig

STØJ / VIBRATION

- Måles efter EN 60745 er lydtrykniveau af dette værktøj 86 dB(A) og lydeffektniveau 97 dB(A) (standard deviation: 3 dB), og vibrationsniveauet 8,5 m/s² (vektorsum for tre retninger; usikkerhed K = 1,5 m/s²)
- Det vibrationsniveau er målt i henhold til den standardiserede test som anført i EN 60745; den kan benyttes til at sammenligne to stykker værktøj og som en foreløbig bedømmelse af udsættelsen for vibrationer, når værktøjet anvendes til de nævnte formål
 - anvendes værktøjet til andre formål eller med andet eller dårligt vedligeholdt tilbehør, kan dette **øge** udsættelsesniveauet betydeligt
 - de tidsrum, hvor værktøjet er slukket, eller hvor det kører uden reelt at udføre noget arbejde, kan **reducere** udsættelsesniveauet betydeligt
- ! **beskyt dig selv imod virkningerne af vibrationer ved at vedligeholde værktøjet og dets tilbehør, ved at holde dine hænder varme og ved at organisere dine arbejdsmønstre**

N

Poleringsmaskin

9955

INTRODUKSJON

- Dette verktøyet er ment for polering av metall, plast og behandlede overflater så vel som polering av steinmaterialer uten bruk av vann
- Les og ta vare på denne brukerveiledningen ③

TEKNISKE DATA ①

VERKTØYELEMENTER ②

- A Støttehåndtak
- B Støttehåndtak (type D)
- C Sekskantnøkkel
- D Spindel
- E Bakpute (VELCRO-borrelås)
- F Spindellåseknapp
- G Ullrondell
- H Av/på bryter
- J Knapp til låsing av av/på-bryter
- K Hjul for maksimumshastighetsregulering
- L Ventilasjonsåpninger

SIKKERHET

GENERELLE ADVARSLER FOR ELEKTROVERKTØY

⚠ ADVARSEL Les alle sikkerhetsanvisningene, instruksjonene, illustrasjonene og spesifikasjonene som følger med dette elektroverktøyet. Manglende overholdelse av anvisningene nedenfor kan medføre elektrisk støt, brann og/eller alvorlige personskader. **Ta godt vare på alle advarslene og informasjonene.** Det nedenstående anvendte uttrykket "elektroverktøy" gjelder for strømdrevne (med ledning) og batteridrevne elektroverktøy (uten ledning).

1) SIKKERHET PÅ ARBEIDSPLASSEN

- a) **Hold arbeidsområdet rent og ryddig.** Rotete arbeidsområder eller arbeidsområder uten lys kan føre til ulykker.
- b) **Ikke arbeid med elektroverktøyet i eksplosjonsutsatte omgivelser – der det befinner seg brennbare væsker, gass eller støv.** Elektroverktøyet lager gnister som kan antenne støv eller damper.
- c) **Hold barn og andre personer unna når elektroverktøyet brukes.** Hvis du blir forstyrret under arbeidet, kan du miste kontrollen over elektroverktøyet.

2) ELEKTRISK SIKKERHET

- a) **Støpselet til elektroverktøyet må passe inn i stikkkontakten. Støpselet må ikke forandres på noen som helst måte. Ikke bruk adapterstøpsler sammen med jordede maskiner.** Bruk av støpsler som ikke er forandret på og passende stikkontakter reduserer risikoen for elektriske støt.
- b) **Unngå kroppskontakt med jordede overflater slik som rør, ovner, komfyrer og kjøleskap.** Det er større fare ved elektriske støt hvis kroppen din er jordnet.
- c) **Hold elektroverktøyet unna regn eller fuktighet.** Dersom det kommer vann i et elektroverktøy, øker risikoen for elektriske støt.
- d) **Ikke bruk ledningen til andre formål, f.eks. til å bære elektroverktøyet, henge den opp eller trekke den ut av stikkkontakten. Hold ledningen unna varme, olje, skarpe kanter eller maskindeler som beveger seg.** Med skadede eller opphopede ledninger øker risikoen for elektriske støt.
- e) **Når du arbeider utendørs med et elektroverktøy, må du kun bruke en skjøteledning som er godkjent til utendørs bruk.** Når du bruker en skjøteledning som er egnet for utendørs bruk, reduseres risikoen for elektriske støt.

- f) Hvis det ikke kan unngås å bruke elektroverktøyet i fuktige omgivelser, må du bruke en jordfeilbryter. Bruk av en jordfeilbryter reduserer risikoen for elektriske støt.

3) PERSONSIKKERHET

- a) Vær oppmerksom, pass på hva du gjør, gå fornuftig frem når du arbeider med et elektroverktøy. Ikke bruk elektroverktøyet når du er trett eller er påvirket av narkotika, alkohol eller medikamenter. Et øyeblikks uoppmerksomhet ved bruk av elektroverktøyet kan føre til alvorlige skader.
- b) **Bruk personlig verneutstyr og husk alltid å bruke vernebriller.** Bruk av personlig sikkerhetsutstyr som støvmaske, sklifaste arbeidssko, hjelm eller hørselvern – avhengig av type og bruk av elektroverktøyet – reduserer risikoen for skader.
- c) **Unngå å starte verktøyet ved en feiltagelse. Forvis deg om at elektroverktøyet er slått av før du kobler det til strømmen og/eller batteriet, løfter det opp eller bærer det.** Hvis du holder fingeren på bryteren når du bærer elektroverktøyet eller kobler elektroverktøyet til strømmen i innkoblet tilstand, kan dette føre til uhell.
- d) **Fjern innstillingsverktøy eller skrunøkler før du slår på elektroverktøyet.** Et verktøy eller en nøkkel som befinner seg i en roterende maskindel, kan føre til skader.
- e) **Ikke overvurder deg selv. Sørg for å stå stødig og i balanse.** Dermed kan du kontrollere elektroverktøyet bedre i uventede situasjoner.
- f) **Bruk alltid egnede klær. Ikke bruk vide klær eller smykker. Hold hår og klær unna deler som beveger seg.** Løstsittende tøy, smykker eller langt hår kan komme inn i deler som beveger seg.
- g) **Hvis det kan monteres støvavsug- og oppsamlingsinnretninger, må du forvisse deg om at disse er tilkoblet og brukes på korrekt måte.** Bruk av et støvavsug reduserer farer på grunn av støv.
- h) **Selv når du er blitt vant til verktøyet, må du ikke bli sløv og ignorere sikkerhetsreglene for verktøyet.** En uforsiktig handling kan forårsake alvorlig personskade i løpet av et brøkdels sekund.

4) AKTSOM HÅNTERING OG BRUK AV ELEKTROVERKTØY

- a) **Ikke overbelast elektroverktøyet. Bruk et elektroverktøy som er beregnet til den type arbeid du vil utføre.** Med et passende elektroverktøy arbeider du bedre og sikrere i det angitte effektområdet.
- b) **Ikke bruk elektroverktøy med defekt på-/avbryter.** Et elektroverktøy som ikke lenger kan slås av eller på, er farlig og må repareres.
- c) **Trekk støpselet ut av stikkkontakten og/eller fjern batteriet (hvis demonterbart) før du utfører innstillinger på elektroverktøyet, skifter tilbehørsdeler eller legger elektroverktøyet bort.** Disse tiltakene forhindrer en utilsiktet startung av elektroverktøyet.
- d) **Elektroverktøy som ikke er i bruk må oppbevares utilgjengelig for barn. Ikke la elektroverktøyet brukes av personer som ikke er fortrolig med dette eller ikke har lest disse anvisningene.** Elektroverktøyet er farlige når de brukes av uerfarne personer.
- e) **Vær nøye med vedlikeholdet av elektroverktøyet og tilbehøret. Kontroller om bevegelige maskindeler**

fungerer feilfritt og ikke klemmes fast, og om deler er brukket eller skadet, slik at dette innvirker på elektroverktøyet funksjon. La skadede deler repareres for elektroverktøyet brukes. Dårlig vedlikeholdte elektroverktøy er årsaken til mange uhell.

- f) **Hold skjæreverktøyene skarpe og rene.** Godt stelte skjæreverktøy med skarpe skjær setter seg ikke så ofte fast og er lettere å føre.
- g) **Bruk elektroverktøy, tilbehør, verktøy osv. i henhold til disse anvisningene. Ta hensyn til arbeidsforholdene og arbeidet som skal utføres.** Bruk av elektroverktøy til andre formål enn det som er angitt kan føre til farlige situasjoner.
- h) **Hold håndtak og gripeflater tørre, rene og uten olje eller fett.** Glatte håndtak og gripeflater hindrer sikker håndtering og styring av verktøyet i uventede situasjoner.
- ### 5) SERVICE
- a) **Maskinen din skal alltid kun repareres av kvalifisert fagpersonale og kun med originale reservedeler.** Slik opprettholdes elektroverktøyet sikkerhet.

SIKKERHETSINSTRUKSJONER FOR POLERINGSMASKINER

1) FELLES ADVARSLER OM POLERING

- a) **Dette elektroverktøyet skal brukes som poleringsmaskin. Følg alle advarsler, anvisninger, bilder og data som du får levert sammen med elektroverktøyet.** Hvis du ikke følger følgende anvisninger, kan det oppstå elektriske støt, ild og/eller store skader.
- b) **Dette elektriske verktøyet bør ikke brukes til sliping, sandpussing, stålborsting eller kapping.** Hvis verktøyet brukes til operasjoner som det ikke er konstruert for, kan det føre til farlige situasjoner og personskader.
- c) **Det må aldri finnes løse deler på poleretten, spesielt ikke festesnorer. Putt unna eller kapp festesnorene.** Løse roterende festesnorer kan gripe tak i fingrene dine eller vikle seg inn i arbeidsstykke.
- d) **Ikke bruk tilbehør som ikke er spesielt beregnet og anbefalt av produsenten for dette elektroverktøyet.** Selv om du kan feste tilbehøret på elektroverktøyet ditt, garanterer dette ingen sikker bruk.
- e) **Det godkjente turtallet til innsatsverktøyet må være minst like høyt som det maksimale turtallet som er angitt på elektroverktøyet.** Tilbehør som dreies hurtigere enn godkjent, kan ødelegges.
- f) **Utvendig diameter og tykkelse på innsatsverktøyet må tilsvare målene for elektroverktøyet.** Gale innsatsverktøy kan ikke sikres eller kontrolleres tilstrekkelig.
- g) **Innsatsverktøy med gjengeinnsats må passe nøyaktig på slipespindelens gjenger. Ved innsatsverktøy som monteres ved hjelp av en flens må hulldiametere til innsatsverktøyet passe til festediameteren til flensen.** Innsatsverktøy som ikke kan festes nøyaktig på elektroverktøyet, roterer uregelmessig, vibrerer svært sterkt og kan føre til at du mister kontrollen.
- h) **Ikke bruk skadede innsatsverktøy. Sjekk for hver bruk om innsatsverktøy slik som slipeskiver er splintret eller revnet, om slipetallerkener er revnet**

eller svært slitt, om stålborster har løse eller har brukkede tråder. Hvis elektroverktøyet eller innsatsverktøyet faller ned, må du kontrollere om det er skadet eller bruk er ikke skadet innsatsverktøy. Når du har kontrollert og satt inn innsatsverktøyet, må du holde personer som oppholder seg i nærheten unna det roterende innsatsverktøyet og la elektroverktøyet gå i ett minutt med maksimalt turtall. Som regel bryter skadede innsatsverktøy i løpet av denne testtiden.

- i) **Bruk personlig beskyttelsesutstyr. Avhengig av typen bruk må du bruke visir, øyebeskyttelse eller vernebriller. Om nødvendig må du bruke støvmaske, hørselvern, vernehansker eller spesialforkle som holder små slipe- og materialpartikler unna kroppen din.** Øynene bør beskyttes mot fremmedlegemer som kan fly rundt ved visse typer bruk. Støv- eller pustevernmasker må filtrere den typen støv som oppstår ved denne bruken. Hvis du er utsatt for sterk støv over lengre tid, kan du miste hørselen.
 - j) **Pass på at andre personer holder tilstrekkelig avstand til arbeidsområdet ditt. Alle som går inn i arbeidsområdet må bruke personlig verneutstyr.** Brukne deler til verktøyet eller brukne innsatsverktøy kan slynge ut og derfor også forårsake skader utenfor det direkte arbeidsområdet.
 - k) **Ta kun tak i elektroverktøyet på de isolerte gripeflatene, hvis du utfører arbeid der innsattilbehøret kan treffe på skjulte strømledninger eller den egne strømledningen.** Kontakt med en spenningsførende ledning kan også sette elektroverktøyet metalldeleer under spenning og føre til elektriske støt.
 - l) **Hold strømledningen unna roterende innsatsverktøy.** Hvis du mister kontrollen over elektroverktøyet kan strømledningen kappes eller komme inn i verktøyet, og hånden eller armen din kan komme inn i det roterende innsatsverktøyet.
 - m) **Legg aldri elektroverktøyet ned før innsatsverktøyet er stanset helt.** Det roterende innsatsverktøyet kan komme i kontakt med overflaten der maskinen legges ned, slik at du kan miste kontrollen over elektroverktøyet.
 - n) **La aldri elektroverktøyet være innkoblet mens du bærer det.** Tøyet ditt kan komme inn i det roterende innsatsverktøyet hvis det tilfeldigvis kommer i kontakt med verktøyet og innsatsverktøyet kan da bore seg inn i kroppen din.
 - o) **Rengjør ventilasjonsåpningene til elektroverktøyet med jevne mellomrom.** Motorviften trekker støv inn i huset, og en stor oppsamling av metallstøv kan medføre elektrisk fare.
 - p) **Ikke bruk elektroverktøyet i nærheten av brennbare materialer.** Gnister kan antenne disse materialene.
 - q) **Bruk ikke innsatsverktøy som krever flytende kjølemidler.** Bruk av vann eller andre flytende kjølemidler kan føre til elektriske støt.
- 2) TILBAKESLAG OG TILSVARENDE ADVARSLER**
- Tilbakeslag er innsatsverktøyet plutselige reaksjon etter at det har hengt seg opp eller blokkerer. Dette kan gjelde slipeskiven, slipetallerkenen, stålborsten osv.. Opphenging eller blokkering fører til at det roterende innsatsverktøyet stanser helt plutselig. Slik akselerer et

ukontrollert elektroverktøy i motsatt retning av innsatsverktøyet dreieretning på blokkeringsstedet.

- Hvis f.eks. en slipeskive henger seg opp eller blokkerer i arbeidsstykket, kan kanten på slipeskiven som dykker inn i arbeidsstykket, henge seg opp og slik brykker slipeskiven eller forårsaker et tilbakeslag. Slipeskiven beveger seg da mot eller bort fra brukeren, avhengig av skivens dreieretning på blokkeringsstedet. Slipeskiver kan da også brykke.
 - Et tilbakeslag er resultat av en gal eller feilaktig bruk av elektroverktøyet. Det kan unngås ved å følge egnede sikkerhetstiltak som beskrevet nedenstående.
- a) **Hold elektroverktøyet godt fast og plasser kroppen og armene dine i en stilling som kan ta imot tilbakeslagskrefter. Bruk alltid ekstrahåndtaket – hvis dette finnes – for å ha størst mulig kontroll over tilbakeslagskrefter eller reaksjonsmomenter ved oppkjøring.** Brukeren kan beherske tilbakeslags- og reaksjonsmomenter med egnede tiltak.
 - b) **Hold aldri hånden i nærheten av det roterende innsatsverktøyet.** Innsatsverktøyet kan bevege seg over hånden din ved tilbakeslag.
 - c) **Unngå at kroppen din befinner seg i området der elektroverktøyet vil bevege seg ved et tilbakeslag.** Tilbakeslaget driver elektroverktøyet i motsatt retning av slipeskivens dreieretning på blokkeringsstedet.
 - d) **Vær spesielt forsiktig i hjørner, på skarpe kanter osv. Du må forhindre at innsatsverktøy avpelles fra arbeidsstykket eller klemmes fast.** Det roterende innsatsverktøyet har en tendens til å klemmes fast i hjørner, på skarpe kanter eller hvis det avpelles. Dette forårsaker kontrolltap eller tilbakeslag.
 - e) **Bruk ikke kjedesagblad eller tannet sagblad.** Slike innsatsverktøy fører ofte til tilbakeslag eller til at man mister kontrollen over elektroverktøyet.

EKSTRA SIKKERHETSADVARSLER

GENERELL

- Dette verktøyet skal kun brukes til tørrpolering
- Bruk kun flensene som følger med verktøyet
- Verktøyet må ikke brukes av personer under 16 år
- **Ta alltid ut kontakten før du forandrer innstillinger på sagen eller skifter tilbehør**
- **Ikke bearbeid asbestholdig material** (asbest kan fremkalle kreft)

TILBEHØR

- SKIL kan kun garantere et feilfritt verktøy dersom riktig tilbehør brukes, som leveres fra SKIL-forhandleren på stedet
 - For montering og bruk av ikke-originalt SKIL tilbehør, henvises det til brukerveiledning fra aktuell produsent
 - Bruk kun tilbehør med et godkjent turtall som er minst like høyt som verktøyet høyeste tomgangsturtall
 - Bruk aldri tilbehør med et "blindt" gjengnet sentrumshull mindre enn M14 x 21 mm
 - Bruk ikke skadet, deformert eller vibrerende tilbehør
 - Tilbehør må behandles og oppbevares med forsiktighet
- BRUK**
- Når verktøyet skal brukes utendørs, må det koples til en feilstørbryter (FI) feilstørbryter som vil kople ut på 30 mA maksimum; det skal også bare brukes

skjøteledninger som er beregnet for bruk utendørs og som er utstyrt med sprutsikker stikkontakt

FØR BRUK

- Sjekk alltid at tilført spenningen er den samme som oppgitt på verktøyet merkeplate
- Monter alltid sidehåndtaket A ② eller B ②; bruk aldri verktøyet uten dette
- Støv fra materialer som blyholdig maling, visse tresorter, mineraler og metall kan være skadelig (kontakt med eller inhalering av støv kan gi allergiske reaksjoner og/eller sykdommer i åndedretsorganene for brukeren eller personer i nærheten); **bruk støvmaske og arbeid med støvfjerningsutstyr når det er mulig**
- Visse typer støv er klassifisert som kreftfremkallende (som f.eks. støv fra eik og bøk), spesielt sammen med tilsetningsstoffer for trebehandling; **bruk støvmaske og arbeid med støvfjerningsutstyr når det er mulig**
- Følg de nasjonale krav, når det gjelder støv for de materialer du ønsker å arbeide med
- **Sett fast arbeidsstykket** (et arbeidsstykke som er sikret med klemmer, sitter sikrere enn om det holdes fast for hånd)
- Verktøyet må ikke spennes fast i en skrustikke
- Bruk helt utrullet og sikker skjøteledning med en kapasitet på 16 A

UNDER BRUK

- Under arbeid hold alltid verktøyet fast med begge hender og pass på å stå stødig
- Hold alltid kabelaen borte fra bevegelige deler på verktøyet; før kabelaen bakover bort fra verktøyet
- Hvis kabelaen skades eller kappes under arbeid må kabelaen ikke berøres, men støpselet straks trekkes ut
- Bruk ikke verktøyet dersom kabel er skadet; få den skiftet ut af en anerkendt fagmand
- I tilfelle en elektrisk eller mekanisk svikt, skal verktøyet med en gang slås av og støpset trekkes ut
- I tilfelle strøbrudd, eller hvis støpselet trekkes ut tilfeldig, slipp bryteren H ② for å unngå utilsiktet startung igjen

ETTER BRUK

- Før du legger verktøyet fra deg, slå av motoren og forsikre deg om at alle roterende deler har stoppet helt
- Etter at verktøyet er slått av, prøv aldri å stoppe tilbehørets rotasjonen med bruk av sideveis kraft

FORKLARING AV SYMBOLER PÅ VERKTØY

- ③ Les instruksjonsboken for bruk
- ④ Bruk beskyttelsesbriller og hørselsvern
- ⑤ Dobbelisolert (ikke nødvendig med jordingsleder)
- ⑥ Kast aldri verktøy i husholdningsavfallet

BRUK

- Montering av sidehåndtak ⑦
 - ! **trekk ut støpselet av stikkontakten**
 - skru sidehåndtak A på høyre eller venstre side av verktøyet (avhengig av arbeidet som skal utføres)
 - monter sidehåndtaket B slik det er vist, og trekk til begge skruene med sekskantnøkkelen C
- Montering av tilbehør ②
 - ! **trekk ut støpselet av stikkontakten**
 - foreta rengjøring av spindel D og alle delene som skal monteres
 - skru borrelåsbakputen E på spindelen D samtidig som du skyver spindellåseknaappen F

! spindellås F skal bare skyves når spindel D er stillestående

- press ullskiven G på borrelåsbakputen E
- demontering av tilbehør skjer i motsatt rekkefølge
- Før bruk
 - vær sikker på at tilbehør er korrekt montert og festet skikkelig
 - sjekk om tilbehøret roterer fritt ved å snurre den ved hånd
 - test verktøyet i minimum 60 sekunder på høyeste hastighet i en sikker stilling uten å berøre arbeidsstykket
 - stopp øyeblikkelig dersom verktøyet vibrerer unormalt mye eller andre problemer oppstår, og sjekk verktøyet nøye
- Av/på
 - slå på/av verktøyet ved å trekke inn/friggjøre bryter H ②
- Elektronisk myk-start
 - For en jevn økning av maksimum hastigheten uten et plutselig rykk når verktøyet starter
- Låsning av bryteren for permanent drift
 - trykk inn bryteren H
 - trykk inn knappen J med tommelen
 - løsne låsen ved å trykke inn bryter H og frigjøre den
- Hastighetsregulering ⑧
 - maksimumshastighet kan justeres trinnløs fra lav til høy med hjelp av hjulet K (1-MAX)
 - start med hjulet K i posisjon 1 (sakte)
 - ved behov velger du høyere hastighet mens verktøyet går
 - den optimale arbeidshastigheten avhenger av materialet, og kan bestemmes gjennom praktiske forsøk
- Bruk av verktøyet
 - slå på verktøyet
 - legg verktøyet helt an mot overflaten som skal poleres, og beveg det jevnt område for område
 - den ene bevegelsen skal overlape den forrige med 50 %
 - du må ikke stoppe på ett sted da det kan brenne belegget
 - du må ikke bevege verktøyet i sirkler da det kan lage merker i eller brenne belegget
- ! **før verktøyet slås av, løft det bort fra arbeidsstykket**
- ! **skiven fortsetter å rotere i en kort periode etter at verktøyet er slått av**
- Grep og styring av verktøyet ⑨
 - ! **under arbeid, hold verktøyet alltid i grått(gråe) grepsområde(r)**
 - hold verktøyet godt fast med begge hender slik at du alltid har full kontroll over verktøyet
 - sørg for at verktøyet holdes stødig
 - ! **sett ikke så mye press på verktøyet at det stopper rotasjonen**
 - hold ventilasjonsåpningen L ② utildekket

VEDLIKEHOLD / SERVICE

- Beskytt verktøyet fra slag, stot og fett
- Hold alltid verktøyet og kabelaen ren (spesielt ventilasjonshullene L ②)
- ! **dra ut støpselet før rengjøring**

! ikke forsøk å rengjøre ved å stikke spisse gjenstander gjennom ventilasjonshullen

- Hvis elektroverktøyet til tross for omhyggelige produksjons- og kontrollmetoder en gang skulle svikte, må reparasjonen utføres av et autorisert serviceverksted for SKIL-elektroverktøy
 - send verktøyet i **montert** tilstand sammen med kjøpebevis til forhandleren eller nærmeste SKIL servicesenter (adresser liksom service diagram av verktøyet finner du på www.skil.com)

MILJØ

- **Kast aldri elektroverktøy, tilbehør og emballasje i husholdningsavfallet** (kun for EU-land)
 - i henhold til EU-direktiv 2012/19/EF om kasserte elektriske og elektroniske produkter og direktivets iverksetting i nasjonal rett, må elektroverktøy som ikke lenger skal brukes, samles separat og returneres til et miljøvennlig gjenvinningsanlegg
 - symbolet  er påtrykt som en påminnelse når utskifting er nødvendig

STØY / VIBRASJON


- Målt ifølge EN 60745 er lydtryknivået av dette verktøyet 86 dB(A) og lydstryknivået 97 dB(A) (standard deviasjon: 3 dB), og vibrasjonsnivået 8,5 m/s² (vektorsum fra tre retninger; usikkerhet K = 1,5 m/s²)
- Det avgitte vibrasjonsnivået er blitt målt i samsvar med en standardisert test som er angitt i EN 60745; den kan brukes til å sammenligne et verktøy med et annet, og som et foreløpig overslag over eksponering for vibrasjoner ved bruk av verktøyet til de oppgavene som er nevnt
 - bruk av verktøyet til andre oppgaver, eller med annet eller mangelfullt vedlikeholdt utstyr, kan gi en vesentlig **økning** av eksponeringsnivået
 - tidsrommene når verktøyet er avslått eller når det går men ikke arbeider, kan gi en vesentlig **reduksjon** av eksponeringsnivået
- ! **beskytt deg selv mot virkningene av vibrasjoner ved å vedlikeholde verktøyet og utstyret, holde hendene varme og organisere arbeidsmåten din**

FIN

Kiillotin

9955

ESITTELY

- Tämä työkalu on tarkoitettu metallin, muovin ja pääilystettyjen pintojen sekä kivimateriaalien kiillottamiseen vettä käyttämättä
- Lue ja säilytä tämä ohjekirja 

TEKNISET TIEDOT


LAITTEEN OSAT

- A Apukahva
- B Apukahva (malli D)
- C Kuusiokoloavain

- D Kara
- E Hiomalautanen (VELCRO)
- F Karanlukituspainike
- G Villasuojus
- H Virtakytkin
- J Virtakytkimen lukitusnappi
- K Pyörä maksiminopeuden säätämistä varten
- L Ilmanvaihto-aukot

TURVALLISUUS

YLEISET SÄHKÖTYÖKALUJEN TURVALLISUUTEEN LIITTYVÄT VAROITUKSET

 **VAROITUS** Lue kaikki tämän sähkötyökalun mukana toimitetut varoitukset, ohjeet, kuvat ja tekniset tiedot. Alla mainittujen ohjeiden noudattamisen laiminlyönti saattaa aiheuttaa sähköiskun, tulipalon ja/tai vakavan loukkaantumisen. **Säilytä kaikki turvallisuus- ja muut ohjeet tulevaisuutta varten.** Turvallisuusohjeissa käytetty käsite "sähkötyökalu" käsittää verkkokäyttöisiä sähkötyökaluja (verkkojohdolla) ja akkukäyttöisiä sähkötyökaluja (ilman verkkojohtoa).

1) TYÖPAIKAN TURVALLISUUS

- Pidä työskentelyalue puhtaana ja hyvin valaistuna.** Työpaikan epäjärjestys tai valaisemattomat työalueet voivat johtaa tapaturmiin.
- Älä työskentele sähkötyökalulla räjähdysalttiissa ympäristössä, jossa on palavaa nestettä, kaasua tai pölyä.** Sähkötyökalu muodostaa kipinöitä, jotka saattavat sytyttää pölyn tai höyryt.
- Pidä lapset ja sivulliset loitolla sähkötyökalua käyttäessäsi.** Voit menettää laitteesi hallinnan, huomiosi suuntautuessa muualle.

2) SÄHKÖTURVALLISUUS

- Sähkötyökalun pistotulpan tulee sopia pistorasiaan. Pistotulppaa ei saa muuttaa millään tavalla. Älä käytä mitään pistorasia-adaptoreita maadoitettujen sähkötyökalujen kanssa.** Alkuperäisessä kunnossa olevat pistotulpat ja sopivat pistorasiat vähentävät sähköiskun vaaraa.
- Vältä koskettamasta maadoitettuja pintoja, kuten putkia, pattereita, liesiä tai jääkaappeja.** Sähköiskun vaara kasvaa, jos kehosi on maadoitettu.
- Älä aseta sähkötyökalua alltimeksi sateelle tai kosteudelle.** Veden tunkeutuminen sähkötyökalun sisään kasvattaa sähköiskun riskiä.
- Älä käytä verkkojohtoa väärin. Älä käytä sitä sähkötyökalun kantamiseen, vetämiseen tai pistotulpan irrottamiseen pistorasiasta. Pidä johto loitolla kuumuudesta, öljystä, terävistä reunoinista ja liikkuvista osista.** Vahingoittuneet tai sotkeutuneet johdot kasvattavat sähköiskun vaaraa.
- Käyttäessäsi sähkötyökalua ulkona, käytä ainoastaan ulkokäyttöön soveltuvaa jatkojohtoa.** Ulkokäyttöön soveltuvan jatkojohtoon käyttö pienentää sähköiskun vaaraa.
- Jos sähkötyökalun käyttö kosteassa ympäristössä ei ole välttävissä, käytä sateella maavuotokatkaisijaa.** Maavuotokatkaisijan käyttö vähentää sähköiskun vaaraa.

3) HENKILÖTURVALLISUUS

- a) **Ole valpas, kiinnitä huomiota työskentelyysi ja noudata tervettä järkeä sähkötyökalua käyttäessäsi. Älä käytä sähkötyökalua, jos olet väsynyt tai huumeiden, alkoholin tahi lääkkeiden vaikutuksen alaisena.** Hetken tarkkaamattomuus sähkötyökalua käytettäessä, saattaa johtaa vakavaan loukkaantumiseen.
- b) **Käytä suojavarusteita. Käytä aina suojalaseja.** Henkilökohtaisen suojavarustuksen käyttö, kuten pölynaamarin, luistamattomien turvakengien, suojakypärän tai kuulonsuojaimien, riippuen sähkötyökalun lajista ja käyttötavasta, vähentää loukaantumisriskiä.
- c) **Vältä tahatonta käynnistämistä. Varmista, että sähkötyökalu on poiskytkettynä, ennen kuin liität sen sähköverkkoon ja/tai liität akun, otat sen käteen tai kannat sitä.** Jos kannat sähkötyökalua sormi käynnistyskytkimellä tai kytket sähkötyökalun pistotulpan pistorasiaan, käynnistyskytkimen ollessa käyntiasennossa, altistat itsesi onnettomuuksille.
- d) **Poista kaikki säätötyökalut ja ruuvitalat, ennen kuin käynnistät sähkötyökalun.** Työkalu tai avain, joka sijaitsee laitteen pyöriässä osassa, saattaa johtaa loukkaantumiseen.
- e) **Älä yliarvioi itseäsi. Huolehdi aina tukevasta seisoma-asennosta ja tasapainosta.** Täten voit paremmin hallita sähkötyökalua odottamattomissa tilanteissa.
- f) **Käytä tarkoitukseen soveltuvia vaatteita. Älä käytä löysiä työvaatteita tai koruja. Pidä hiukset ja vaatteet poissa liikkuvien osien ulottuvilta.** Väljät vaatteet, korut ja pitkät hiukset voivat takertua liikkuviin osiin.
- g) **Jos pölynimu- ja keräilylaitteita voidaan asentaa, tulee sinun tarkistaa, että ne on liitetty ja että ne käytetään oikealla tavalla.** Pölynimulaitteiston käyttö vähentää pölyn aiheuttamia vaaroja.
- h) **Sähkötelet keskittyneesti ja noudata aina turvallisuusmääräyksiä.** etkellinenkin huolimattomuus voi aiheuttaa vakavia vammoja.
- #### 4) SÄHKÖTYÖKALUJEN KÄYTTÖ JA HOITO
- a) **Älä ylikuormita laitetta. Käytä kyseiseen työhön tarkoitettua sähkötyökalua.** Sopivaa sähkötyökalua käyttäen työskentelet paremmin ja varmemmin tehoalueella, jolle sähkötyökalu on tarkoitettu.
- b) **Älä käytä sähkötyökalua, jota ei voida käynnistää ja pysäyttää käynnistyskytkimestä.** Sähkötyökalu, jota ei enää voida käynnistää ja pysäyttää käynnistyskytkimellä, on vaarallinen ja se täytyy korjata.
- c) **Irrota pistotulppa pistorasiasta ja/tai irrota akku (jos irrotettava) sähkötyökalusta, ennen kuin suoritat säätöjä, vaihdat tarvikkeita tai viet sähkötyökalun varastoon.** Nämä turvatoimenpiteet pienentävät sähkötyökalun tahattoman käynnistysriskin.
- d) **Säilytä sähkötyökalut poissa lasten ulottuvilta, kun niitä ei käytetä. Älä anna sellaisten henkilöiden käyttää sähkötyökalua, jotka eivät tunne sitä tai jotka eivät ole lukeneet tätä käyttöohjetta.** Sähkötyökalut ovat vaarallisia, jos niitä käyttävät kokemattomat henkilöt.

- e) **Pidä sähkötyökalut ja tarvikkeet hyvässä kunnossa.** Tarkista, että liikkuvat osat toimivat moitteettomasti, eivätkä ole puristuksessa sekä, että siinä ei ole murtuneita tai vahingoittuneita osia, jotka saattaisivat vaikuttaa haitallisesti sähkötyökalun toimintaan. Anna korjauttaa mahdolliset viat ennen käyttöönottoa. Monen laaturaman syyt löytyvät huoonosti huolletuista laitteista.
- f) **Pidä leikkausterät terävinä ja puhtaina.** Huolellisesti hoidetut leikkaustyökalut, joiden leikkausreunat ovat teräviä, eivät tartu helposti kiinni ja niitä on helpompi hallita.
- g) **Käytä sähkötyökaluja, tarvikkeita, vaihtotyökaluja jne. näiden ohjeiden mukaisesti. Ota tällöin huomioon työolosuhteet ja suoritettava toimenpide.** Sähkötyökalun käyttö muuhun kuin sille määrättyyn käyttöön, saattaa johtaa vaarallisiin tilanteisiin.
- h) **Pidä kahvat ja kädensijat kuivina ja puhtaina (öljyttöminä ja rasvattomina).** Jos kahvat ja kädensijat ovat liukkaita, et pysty ylläpitävissä tilanteissa ohjaamaan ja hallitsemaan työkalua turvallisesti.
- ### 5) HUOLTO
- a) **Anna koulutettujen ammattihenkilöiden korjata sähkötyökalusi ja hyväksy korjauksiin vain alkuperäisiä varaosia.** Täten varmistat, että sähkötyökalu säilyy turvallisena.

KIILLOTTIMEN TURVALLISUUSOHJEET

- #### 1) YHTEISET VARO-OHJEET KIILOTUKSEEN
- a) **Tätä sähkötyökalua tulee käyttää kiillotuskoneena. Ota huomioon kaikki varo-ohjeet, ohjeet, piirustukset ja tiedot, joita saat sähkötyökalun kanssa.** Ellet noudata seuraavia ohjeita, saattaa se johtaa sähköiskuun, tulipaloon ja/tai vaikeisiin loukkaantumisiin.
- b) **Tätä sähkötyökalua ei suositella hiomiseen, hiekkapaperihiontaan, teräsharjauksen tai leikkaamiseen.** Käyttötavat, joihin sähkötyökalua ei ole suunniteltu, voivat aiheuttaa vaaratilanteen ja johtaa loukkaantumiseen.
- c) **Älä hyväksy mitään irtonaisia osia kiillotushupussa, esim. kiinnitysnauhoja. Piilota tai lyhennä kiinnitysnauhat.** Irtonaiset pyöriävät kiinnitysnauhat voivat tarttua sormeesi tai työoppaleeseen.
- d) **Älä käytä mitään lisälaitteita, joita ei valmistaja ole tarkoittanut tai suositellut nimenomaan tälle sähkötyökalulle.** Vain se, että pystyt kiinnittämään lisätarvikkeen sähkötyökaluusi ei takaa sen turvallista käyttöä.
- e) **Vaihtotyökalun sallitun kierrosluvun tulee olla vähintään yhtä suuri kuin sähkötyökalussa mainittu suurin kierros-luku.** Lisätarvike, joka pyörii sallittua suuremmalla nopeudella, saattaa tuhoutua.
- f) **Vaihtotyökalun ulkohalkaisijan ja paksuuden tulee vastata sähkötyökalun mittatietoja.** Väärin mitoitettuja vaihtotyökaluja ei voida suojata tai hallita riittävästi.
- g) **Hiomalaikkojen ja laipponen tulee tarkasti sähkötyökaluasi hiomakaraan. Käytettäessä vaihtotyökaluja, jotka liitetään laippaan, tulee vaihtotyökalun reiän halkaisijan sopia laipan kiinnityshalkaisijaan.** Vaihtotyökalut, joita ei kiinnitetä oikein sähkötyökaluun, pyöriävät epätasaisesti, tärisevät

voimakkaasti ja saattavat johtaa hallinnan menettämiseen.

- h) **Älä käytä vaurioituneita vaihtotyökaluja.** Tarkista ennen jokaista käyttöä, ettei vaihtotyökalussa, kuten hiomalaikoissa ole pirstoutumia tai halkemia, hiomalautasessa halkeamia tai voimakasta kulumista, teräsharjassa irtonaisia tai katkenneita lankoja. Jos sähkötyökalu tai vaihtotyökalu putoaa, tulee tarkistaa, että se on kunnossa tai sitten käyttää ehjää vaihtotyökalua. Kun olet tarkistanut ja asentanut vaihtotyökalun, pidä itsesi ja lähistöllä olevat henkilöt poissa pyörivän vaihtotyökalun tasosta ja anna sähkötyökalun käydä minuutti täydellä kierrosluvulla. Vaurioituneet vaihtotyökalut menevät yleensä rikki tässä ajassa.
- i) **Käytä henkilökohtaisia suojavarusteita.** Käytä käytöstä riippuen kokokasvonaamiota, silmäsuojusta tai suojalaseja. Jos mahdollista, käytä pölynaamaria, kuulonsuojainta, suojakäsineitä tai erikoissuojavaatetta, joka suojaa sinut pieniltä hioma- ja materiaalihiukkasilta. Silmät tulee suojata lenteleviltä vierailta esineiltä, jotka saattavat syntyä eri käytössä. Pöly- tai hengityssuojanaamareiden täytyy suodattaa pois työstössä syntyvä pöly. Jos olet pitkään alttiina voimakkaalle melulle, saattaa se vaikuttaa heikentävästi kuuloon.
- j) **Varmista, että muut henkilöt pysyvät turvallisella etäisyydellä työalueeltasi.** Jokaisella, joka tulee työalueelle, tulee olla henkilökohtaiset suojavarusteet. Työkappaleen tai murtuneen vaihtotyökalun osia saattavat sinkoutua kauemmas ja vahingoittaa ihmisiä myös varsinaisen työalueen ulkopuolella.
- k) **Tartu sähkötyökaluun ainoastaan eristetyistä pinnoista, tehdessäsi työtä, jossa vaihtotyökalu saattaisi osua piilossa olevaan sähköjohtoon tai sähkötyökalun omaan sähköjohtoon.** Kosketus jännitteeseen johtoon voi saattaa sähkötyökalun metalliosat jännitteisiksi ja johtaa sähköiskuun.
- l) **Pidä sähköjohto poissa pyörivistä vaihtotyökaluista.** Jos menetät sähkötyökalun hallinnan, saattaa verkkojohto tulla katkaistuksi tai tarttua kiinni ja vetää kätesi tai käsivartesi kiinni pyörivään vaihtotyökaluun.
- m) **Älä aseta sähkötyökalua pois, ennen kuin vaihtotyökalu on pysähtynyt kokonaan.** Pyörivä vaihtotyökalu saattaa koskettaa lepopintaa ja voit menettää sähkötyökalusi hallinnan.
- n) **Älä koskaan pidä sähkötyökalua käynnissä sitä kantaessasi.** Vaatteesi voi hetkellisen kosketuksen seurauksena tarttua kiinni pyörivään vaihtotyökaluun, joka saattaa porautua kehoosi.
- o) **Puhdista sähkötyökalusi tuuletusaukkoja säännöllisesti.** Moottorin tuuletin imee pölyä työkalun koteloon, ja voimakas metallipölyn kasautuma voi synnyttää sähköisiä vaaratilanteita.
- p) **Älä käytä sähkötyökalua palavien aineiden lähellä.** Kipinät voivat sytyttää näitä aineita.
- q) **Älä käytä vaihtotyökaluja, jotka tarvitsevat nestemäistä jäähdytysainetta.** Veden tai muiden nestemäisten jäähdytysainesten käyttö saattaa johtaa sähköiskuun.

2) TAKAISKU JA VASTAAVAT VARO-OHJEET

- Takaisku on äkillinen reaktio, joka syntyy pyörivän vaihtotyökalun, kuten hiomalaitan, hiomalautasen tai teräsharjan tarttuessa kiinni tai jäädessä puristukseen. Tarttuminen tai puristukseen joutuminen johtaa pyörivän vaihtotyökalun äkilliseen pysähtymiseen. Tällöin hallitsematon sähkötyökalu sinkoutuu tarttumakohdasta vaihtotyökalun kiertosuunnasta vastakkaiseen suuntaan.
 - Jos esim. hiomalaikka tarttuu tai joutuu puristukseen työkappaleeseen, saattaa hiomalaikan reuna, joka on upponnut työkappaleeseen, juuttua kiinni aiheuttaen hiomalaikan ponnahtuksen ulos työkappaleesta tai aiheuttaa takaiskun. Hiomalaikka liikkuu silloin käyttävää henkilöä vasten tai pois päin hänestä, riippuen laikan kiertosuunnasta tarttumakohdassa. Tällöin hiomalaikka voi myös murtua.
 - Takaisku johtuu sähkötyökalun väärinkäytöstä tai käytöstä vääriin tarkoituksiin. Se voidaan estää sopivien varotoimien, joita selostetaan seuraavassa.
- a) **Pitele sähkötyökalua tukevasti ja saata kehosi ja käsivartesi asentoon, jossa pystyt vastaanamaan takaiskuvoimiin.** Käytä aina lisäkavhua, jos sinulla on sellainen, jotta pystyisit parhaalla mahdollisella tavalla hallitsemaan takaiskuvoimia tai vastamomenteja työkalun ryntökäynnissä. Käyttävä henkilö pystyy hallitsemaan takaiskuja vastamomenttiivoimat noudattamalla sopivia suojatoimenpiteitä.
- b) **Älä koskaan tuo kättäsi lähelle pyörivää vaihtotyökalua.** Vaihtotyökalu saattaa takaiskun sattuessa liikkua kätesi yli.
- c) **Vältä pitämästä kehoasi alueella, johon sähkötyökalu liikkuu takaiskun sattuessa.** Takaisku pakottaa sähkötyökalun vastakkaiseen suuntaan hiomalaikan liikkeeseen nähden tarttumiskohdassa.
- d) **Pyskele erityisen varovasti kulmien, terävien reunojen jne. alueella, estä vaihtotyökalua ponnahtamasta takaisin työkappaleesta ja juuttumasta kiinni.** Pyörivällä vaihtotyökalulla on taipumus juuttua kiinni kulmissa, terävissä reunoissa tai saadessaan kimmokkeen. Tämä johtaa hallinnan pettämiseen tai takaiskuun.
- e) **Älä käytä ketjuteriä tai hammastettuja sahanteriä.** Tällaiset vaihtotyökalut aiheuttavat usein takaiskun tai sähkötyökalun hallinnan menettämisen.

LISÄVARO-TURVALLISUUSOHJEITA

YLEISTÄ

- Käytä tätä työkalua vain kiillottamiseen kuivana
- Käytä vain tämä työkalun yhteydessä toimitettuja laippoja
- Tätä työkalua saavat käyttää vain 16 vuotta täyttäneet henkilöt
- **Irrota aina pistotulppa pistorasiasta, ennen kuin suoritat laitteelle mitään säätöjä tai vaihdat tarviketta**
- **Älä koskaan käytä asbestipitoista ainetta** (asbestia pidetään karsinogeenisena)

VARUSTEET

- SKIL pystyy takaamaan työkalun moitteettoman toiminnan vain, kun käytetään oikeita tarvikkeita, jotka ovat saatavana SKIL-myyntiliikkeestä
- Muita kuin SKIL-varusteita kiinnitettäessä/käytettäessä noudata kyseisen valmistajan antamia ohjeita

- Käytä vain tarvikkeita, joiden sallittu kierroslukulu on vähintään yhtä suuri kuin laitteen suurin tyhjäkäyntikierroslukulu
- Älä koskaan käytä varusteita, joiden "sokea" kierteitysreikä on pienempi kuin M14 x 21 mm
- Älä käytä vaurioituneita, taittuneita tai täriseviä varusteita
- Käsittele lisävarusteita varoen ja säilytä ne huolellisesti

KÄYTTÖ ULKOTILASSA

- Ulkotilassa käytettäessä liitä työkalu vikavirran (FI) piirikatkaisimen kautta laukaisuvirtaan, jonka maksimi on 30 mA ka; käytä vain sellaista jatkojohtoa, joka on tarkoitettu ulkotilassa käytettäväksi ja varustettu roiskevedenpitävällä kytkentäliittimellä

ENNEN KÄYTTÖÄ

- Tarkista aina, että syöttöjännite on sama kuin työkalun nimilaatan osoittama jännite
- Kiinnitä laitteeseen aina apukahva A ② tai B ②; älä koskaan käytä työkalua ilman sitä
- Materiaaleista, kuten liijypitoinen maali, jotkut puulajit, mineraalit ja metalli, tuleva pöly voi olla vahingollista (kosketuksiin joutuminen pölyn kanssa tai sen sisään hengittäminen voi aiheuttaa käyttäjälle tai sivustakatsojille allergiareaktioita ja/tai hengitysvaivoja); **käytä pölynaamaria ja työskentele pölynpoistolaitteen kanssa, kun sellainen on liitettävissä**
- Tietänytyyppiset pölyt on luokiteltu karsinogeenisiksi (kuten tammii- ja pyökkipöly) erityisesti puun käsittelyyn käytettävien lisäaineiden yhteydessä; **käytä pölynaamaria ja työskentele pölynpoistolaitteen kanssa, kun sellainen on liitettävissä**
- Noudata maakohtaisia pölyyn liittyviä sääntöjä
- **Kiinnitä työstettävä kappale** (kiinnittimeen tai puristimeen kiinnitetty työstettävä kappale pysyy tukevammin paikoillaan kuin käsin pidettäessä)
- Älä aseta työkalua ruuvipuristimeen
- Käytä täysin rullaamattomia ja turvallisia jatkejohtoja, joiden kapasiteetti on 16 ampeeria

KÄYTÖN AIKANA

- Pidä käytössä laitteesta tukevasti kiinni molemmilla käsillä ja asetaudu tukevaan asentoon
- Pidä johto aina poissa työkalun liikkuvien osien läheisyydestä; kohdista johto takaosaa kohti pois työkalusta
- Jos sähköjohto vahingoittuu tai katkeaa työn aikana ei johtoa saa koskettaa, vaan pistotulppa on välittömästi irrotettava pistorasiasta
- Älä käytä työkalua, kun johto on vioittunut; vaan toimita se valtuutettuun huoltooliikkeeseen
- Jos huomaat sähköisen tai mekaanisen vian, sammuta kone heti ja irroita liitosjohto pistorasiasta
- Virtakatkon aiheutuessa tai jos kosketin vedetään vahingossa irti pistorasiasta, vapauta kytkin H ②
- **kontrolloimattoman uudelleenkäynnistyksen estämiseksi**

KÄYTÖN JÄLKEEN

- Ennen työkalun laskemista maahan katkaise moottorin toiminta ja varmista, että kaikki liikkuvat osat pysähtyvät täysin
- Työkalu irtikytkettyäsi älä koskaan pysäytä varusteen pyörintää siihen kohdistetulla poikittaisella voimalla

TYÖKALUN SYMBOLIEN SELITYKSET

- ③ Lue käyttöohjeet ennen käyttöä
- ④ Käytä suojalaseja ja kuulonsuojaimia

- ⑤ Kaksoiseristys (ei tarvita maajohtoa)
- ⑥ Älä hävitä konettasi tavallisen kotitalousjätteen mukana

KÄYTTÖ

- Apukahvojen kiinnittäminen ⑦
 - ! **vedä pistoke pistorasiasta**
 - ruuvaa apukahva A työkalun oikealle tai vasemmalle puolelle (riippuen suoritettavasti tehtävästä)
 - kiinnitä apukahva B kuten kuvassa ja kiristä molemmat mukana tulleet ruuvit kuusiokulma-avaimella C
- Tarvikkeita kiinnittäminen ②
 - ! **vedä pistoke pistorasiasta**
 - puhdista kara D ja kaikki kiinnitettävät osat
 - kierrä VELCRO-hiomalautanen E karaan D samalla kun painat karanlukituspainiketta F
 - ! **paina karan lukituspainiketta F vain, kun kara D on pysäytettyinä**
 - riittää kun painat villakuvun G VELCRO-hiomalautasen päälle E
 - tarvikkeita poistettaessa tee se päinvastoin
- Ennen työkalun käyttöä
 - varmista, että tarvike on asetettu paikoilleen oikein ja kiinnitetty tiukasti
 - tarkista, että tarvike pääsee vapaasti liikkumaan, kääntämällä sitä käsin
 - koekäytä työkalua antamalla sen käydä vähintään 60 sekuntia maksiminopeudella kuormittamattomana
 - jos ilmenee voimakasta värinää tai muita vikoja, työkalu on heti kytkettävä pois päältä ja vian syy selvitettävä
- Käynnistys/pysäytys
 - käynnistä/sammuta koneesi painamalla/vapauttamalla kytkintä H ②
- Elektroninen pehmeäkäynnistyksen Saavuttaa halutun maksiminopeuden ilman äkillistä nykäystä
- Kytkimen lukitseminen jatkuvaa käyttöä varten
 - paina kytkintä H
 - paina nuppia J peukalollasi
 - irroita lukitus painamalla uudelleen kytkintä H ja vapauttamalla se
- Nopeudensäätö ⑧
 - maksiminopeus voidaan säätää portaattomasti alimmasta korkeimpaan säätöpyörästä K (1-MAX)
 - aloita pyörä K asennossa 1 (pieni nopeus)
 - valitse suurempi nopeus tarvittaessa työkalun ollessa käynnissä
 - paras työskentelynopeus riippuu materiaalista ja se voidaan määrittää käytännön kokeilla
- Työkalun käyttö
 - käynnistä kone
 - aseta työkalu kokonaan kiillotettavalle pinnalle ja liikuta sitä tasaisesti alueittain
 - kunkin liikkeen tulisi mennä puoliiksi edellisen kanssa päällekkäin
 - älä pysähdy yhteen kohtaan, ettei pinnoite pala
 - älä liikuta työkalua pyörivin liikkein, jotta pinnoite ei tahraantuisi tai palaisi
 - ! **ennen koneen sammuttamista se tulee nostaa irti työkalupaleesta**
 - ! **kun työkalu on kytketty pois päältä, tarvikkeen liike jatkuu vielä muutamia sekunteja**

- Koneen pitäminen ja ohjaaminen ⑨
- ! **pidä työkalusta kiinni aina työskentelyn aikana harmaan värisestä kädensija(oista)**
- pidä työkalusta aina kiinni molemmiin käsiin niin että pystyt kontrolloimaan työkalua koko ajan
- varmista tukeva asento
- ! **älä käytä niin paljon painetta työkaluun nähden, että se pysähtyy**
- pidä ilmanvaihto-aukkoja L ② peittämättöminä

HOITO / HUOLTO

- Suojaa työkalu iskuilta, törmäyksiltä ja rasvaantumiselta
- Pidä työkalu ja johto puhtaina (varmista erityisesti ilma-aukkojen puhtaus L ②)
- ! **irrotta liitosjohto aina puhdistuksen ajaksi pistorasiasta**
- ! **älä yritä puhdistaa laitetta terävillä esineillä ilmanvaihtoreiät kautta**
- Jos sähkötyökalussa, huolellisesta valmistuksesta ja koestusmenettelystä huolimatta esiintyy vikaa, tulee korjaus antaa SKIL sopimushuollon tehtäväksi
- toimita työkalu sitä osiin **purkamatta** lähimpään SKIL-huoltoon (osoitteet ja työkalun huoltokaava ovat tarjolla web-osoitteessa www.skil.com) ostotodiste mukaan liitettynä

YMPÄRISTÖNSUOJELU

- **Älä hävitä sähkötyökalua, tarvikkeita tai pakkausta tavallisen kotitalousjätteen mukana** (koskee vain EU-maita)
- vanhoja sähkö- ja elektroniikkalaitteita koskevan EU-direktiivin 2012/19/ETY ja sen maakohtaisten sovellusten mukaisesti käytetyt sähkötyökalut on toimitettava ongelmajätteen keräyspisteeseen ja ohjattava ympäristöystävälliseen kierrätykseen
- symboli ⑥ muistuttaa tästä, kun käytöstä poisto tulee ajankohtaiseksi

MELU / TÄRINÄ

- Mitattuna EN 60745 mukaan työkalun melutaso on 86 dB(A) ja yleensä työkalun äänen voimakkuus on 97 dB(A) (keskihajonta: 3 dB), ja värinän voimakkuus $8,5 \text{ m/s}^2$ (kolmen suunnan vektorisumma; epävarmuus $K = 1,5 \text{ m/s}^2$)
- Tärinäsaiteilytaso on mitattu standardin EN 60745 mukaisen standarditestin mukaisesti; sitä voidaan käyttää verrattaessa yhtä laitetta toiseen sekä alustavana värinälle altistumisen arviona käytettäessä laitetta manituissa käyttötarkoituksissa
- laitteen käyttö eri käyttötarkoituksiin tai erilaisten tai huonosti ylläpidettyjen lisälaitteiden kanssa voi **lisätä** merkittävästi altistumistasoa
- laitteen ollessa sammuksissa tai kun se on käynnissä, mutta sillä ei tehdä työtä, altistumistaso voi olla huomattavasti **pienempi**
- ! **suojaudu värinän vaikutuksilta ylläpitämällä laite ja sen lisävarusteet, pitämällä kädet lämpiminä ja järjestämällä työmenetelmät**

Pulidora

9955

INTRODUCCIÓN

- Esta herramienta esta concebida para el pulido de superficies metálicas, de plástico y con recubrimiento, así como para el pulido de materiales de piedra sin el empleo de agua
- Lea y conserve este manual de instrucciones ③

DATOS TÉCNICOS ①

ELEMENTOS DE LA HERRAMIENTA ②

- A Empuñadura auxiliar
- B Empuñadura auxiliar (tipo D)
- C Llave hexagonal
- D Eje
- E Disco de apoyo (VELCRO)
- F Botón de bloqueo del eje
- G Sombbrero de lana
- H Interruptor de activación/desactivación
- J Botón de bloqueo del interruptor On/off
- K Rueda para regular la velocidad máxima
- L Ranuras de ventilación

SEGURIDAD

ADVERTENCIAS DE PELIGRO GENERALES PARA HERRAMIENTAS ELÉCTRICAS

⚠ ADVERTENCIA Lea íntegramente las advertencias de peligro, las instrucciones, las ilustraciones y las especificaciones entregadas con esta herramienta eléctrica. En caso de no atenderse a las instrucciones siguientes, ello puede ocasionar una descarga eléctrica, un incendio y/o una lesión grave. **Guardar todas las advertencias de peligro e instrucciones para futuras consultas.** El término "herramienta eléctrica" empleado en las siguientes advertencias de peligro se refiere a herramientas eléctricas de conexión a la red (con cable de red) y a herramientas eléctricas accionadas por acumulador (o sea, sin cable de red).

1) SEGURIDAD DEL PUESTO DE TRABAJO

- a) **Mantenga limpia y bien iluminada su área de trabajo.** El desorden o una iluminación deficiente en las áreas de trabajo pueden provocar accidentes.
- b) **No utilice la herramienta eléctrica en un entorno con peligro de explosión, en el que se encuentren combustibles líquidos, gases o material en polvo.** Las herramientas eléctricas producen chispas que pueden llegar a inflamar los materiales en polvo o vapores.
- c) **Mantenga alejados a los niños y otras personas de su área de trabajo al emplear la herramienta eléctrica.** Una distracción le puede hacer perder el control sobre la herramienta.

2) SEGURIDAD ELÉCTRICA

- a) **El enchufe de la herramienta eléctrica debe corresponder a la toma de corriente utilizada. No es**

- admisible modificar el enchufe en forma alguna. No emplear adaptadores en herramientas eléctricas dotadas con una toma de tierra. Los enchufes sin modificar adecuados a las respectivas tomas de corriente reducen el riesgo de una descarga eléctrica.
- b) **Evite que su cuerpo toque partes conectadas a tierra como tuberías, radiadores, cocinas y refrigeradores.** El riesgo a quedar expuesto a una descarga eléctrica es mayor si su cuerpo tiene contacto con tomas de tierra.
 - c) **No exponga las herramientas eléctricas a la lluvia o a condiciones de humedad.** Existe el peligro de recibir una descarga eléctrica si penetran líquidos en la herramienta eléctrica.
 - d) **No utilice el cable de red para transportar o colgar la herramienta eléctrica, ni tire de él para sacar el enchufe de la toma de corriente. Mantenga el cable de red alejado del calor, aceite, esquinas cortantes o piezas móviles.** Los cables de red dañados o enredados pueden provocar una descarga eléctrica.
 - e) **Al trabajar con la herramienta eléctrica en la intemperie utilice solamente cables de prolongación homologados para su uso en exteriores.** La utilización de un cable de prolongación adecuado para su uso en exteriores reduce el riesgo de una descarga eléctrica.
 - f) **Si el funcionamiento de una herramienta eléctrica en un lugar húmedo fuese inevitable, utilice un cortacircuito de fuga a tierra.** El uso de un cortacircuito de fuga a tierra reduce el riesgo de descarga eléctrica.
- ### 3) SEGURIDAD DE PERSONAS
- a) **Esté atento y emplee la herramienta eléctrica con prudencia. No utilice la herramienta eléctrica si estuviese cansado, ni bajo los efectos de alcohol, drogas o medicamentos.** El no estar atento durante el uso de una herramienta eléctrica puede provocarle serias lesiones.
 - b) **Utilice un equipo de protección personal y en todo caso unas gafas de protección.** El riesgo a lesionarse se reduce considerablemente si, dependiendo del tipo y la aplicación de la herramienta eléctrica empleada, se utiliza un equipo de protección adecuado como una mascarilla antipolvo, zapatos de seguridad con suela antideslizante, casco, o protectores auditivos.
 - c) **Evite una puesta en marcha fortuita. Asegurarse de que la herramienta eléctrica esté desconectada antes de conectarla a la toma de corriente y/o al montar el acumulador, al recogerla, y al transportarla.** Si transporta la herramienta eléctrica sujetándola por el interruptor de conexión/desconexión, o si introduce el enchufe en la toma de corriente con la herramienta eléctrica conectada, ello puede dar lugar a un accidente.
 - d) **Retire las herramientas de ajuste o llaves fijas antes de conectar la herramienta eléctrica.** Una herramienta o llave colocada en una pieza rotativa puede producir lesiones graves al accionar la herramienta eléctrica.
 - e) **Sea precavido. Trabaje sobre una base firme y mantenga el equilibrio en todo momento.** Ello le permitirá controlar mejor la herramienta eléctrica en caso de presentarse una situación inesperada.
 - f) **Lleve puesta una vestimenta de trabajo adecuada. No utilice vestimenta amplia ni joyas. Mantenga su pelo y vestimenta alejados de las piezas móviles.** La vestimenta suelta, las joyas y el pelo largo se pueden enganchar con las piezas en movimiento.
 - g) **Siempre que sea posible utilizar equipos de aspiración o captación de polvo, asegúrese que éstos estén montados y que sean utilizados correctamente.** El empleo de estos equipos reduce los riesgos derivados del polvo.
 - h) **No permita que la familiaridad ganada por el uso frecuente de la herramienta eléctrica lo deje creerse seguro e ignorar las normas de seguridad.** Una acción negligente puede causar lesiones graves en una fracción de segundo.
- ### 4) CUIDADO Y UTILIZACIÓN DE HERRAMIENTAS ELÉCTRICAS
- a) **No sobrecargue la herramienta eléctrica. Use la herramienta eléctrica prevista para el trabajo a realizar.** Con la herramienta eléctrica adecuada podrá trabajar mejor y con mayor seguridad dentro del margen de potencia indicado.
 - b) **No utilice herramientas eléctricas con un interruptor defectuoso.** Las herramientas eléctricas que no se puedan conectar o desconectar son peligrosas y deben repararse.
 - c) **Saque el enchufe de la red y/o retire el acumulador desmontable de la herramienta eléctrica, antes de realizar un ajuste, cambiar de accesorio o al guardar la herramienta eléctrica.** Esta medida preventiva reduce el riesgo de conectar accidentalmente la herramienta eléctrica.
 - d) **Guarde las herramientas eléctricas fuera del alcance de los niños y de las personas que no estén familiarizadas con su uso.** Las herramientas eléctricas utilizadas por personas inexpertas son peligrosas.
 - e) **Cuide la herramienta eléctrica y los accesorios con esmero. Controle si funcionan correctamente, sin atascarse, las partes móviles de la herramienta eléctrica, y si existen partes rotas o deterioradas que pudieran afectar al funcionamiento de la herramienta eléctrica. Si la herramienta eléctrica estuviese defectuosa haga repararla antes de volver a utilizarla.** Muchos de los accidentes se deben a herramientas eléctricas con un mantenimiento deficiente.
 - f) **Mantenga los útiles limpios y afilados.** Los útiles mantenidos correctamente se dejan guiar y controlar mejor.
 - g) **Utilice herramientas eléctricas, accesorios, útiles, etc. de acuerdo con estas instrucciones, teniendo en cuenta las condiciones de trabajo y la tarea a realizar.** El uso de herramientas eléctricas para trabajos diferentes de aquellos para los que han sido concebidas puede resultar peligroso.
 - h) **Mantenga las empuñaduras y las superficies de las empuñaduras secas, limpias y libres de aceite y grasa.** Las empuñaduras y las superficies de las empuñaduras resbaladizas no permiten un manejo y control seguro de la herramienta eléctrica en situaciones imprevistas.

5) SERVICIO

- a) **Únicamente haga reparar su herramienta eléctrica por un profesional, empleando exclusivamente piezas de repuesto originales.** Solamente así se mantiene la seguridad de la herramienta eléctrica.

INSTRUCCIONES DE SEGURIDAD PARA PULIDORAS

1) ADVERTENCIAS DE PELIGRO GENERALES AL REALIZAR TRABAJOS DE PULIDO

- a) **Esta herramienta eléctrica está concebida para funcionar como pulidora. Observe todas las advertencias de peligro, instrucciones, ilustraciones y especificaciones técnicas que se suministran con la herramienta eléctrica.** En caso de no atenerse a las instrucciones siguientes, ello puede provocar una electrocución, incendio y/o lesiones serias.
- b) **No se recomienda el uso de esta herramienta eléctrica para operaciones de rectificado, de pulido con arena, de corte o de cepillado de cables.** Las operaciones para las que no está diseñada la herramienta eléctrica pueden generar riesgos y provocar daños personales.
- c) **Evite partes sueltas en la caperuza para pulir, especialmente el cordón de sujeción. Recoja o corte los cabos del cordón de sujeción.** Los cabos del cordón pueden engancharse con sus dedos o en la pieza de trabajo.
- d) **No emplee accesorios diferentes de aquellos que el fabricante haya previsto o recomendado especialmente para esta herramienta eléctrica.** El mero hecho de que sea acoplable un accesorio a su herramienta eléctrica no implica que su utilización resulte segura.
- e) **Las revoluciones admisibles del útil deberán ser como mínimo iguales a las revoluciones máximas indicadas en la herramienta eléctrica.** Aquellos accesorios que giren a unas revoluciones mayores a las admisibles pueden llegar a romperse.
- f) **El diámetro exterior y el grosor del útil deberán corresponder con las medidas indicadas para su herramienta eléctrica.** Los útiles de dimensiones incorrectas no pueden protegerse ni controlarse con suficiente seguridad.
- g) **Los útiles de fijación a rosca deberán ajustarse exactamente en la rosca del husillo. En los útiles de fijación por brida su diámetro de encaje deberá ser compatible con el de alojamiento en la brida.** Los útiles que no vayan fijados exactamente sobre la herramienta eléctrica giran descentrados, vibran mucho, y pueden hacerle perder el control sobre la herramienta.
- h) **No use útiles dañados. Antes de cada uso inspeccione el estado de los útiles con el fin de detectar, p. ej., si están desportillados o fisurados los útiles de amolar, si está agrietado o muy desgastado el plato lijador, o si las púas de los cepillos de alambre están flojas o rotas. Si se le cae la herramienta eléctrica o el útil, inspeccione si han sufrido algún daño o monte otro útil en correctas condiciones. Una vez controlado y montado el útil sitúese Vd. y las personas circundantes fuera del plano de rotación del útil y deje funcionar la herramienta eléctrica en vacío, a las revoluciones**

máximas, durante un minuto. Por lo regular, aquellos útiles que estén dañados suelen romperse al realizar esta comprobación.

- i) **Utilice un equipo de protección personal. Dependiendo del trabajo a realizar use una careta, una protección para los ojos, o unas gafas de protección. Dependiendo del trabajo a realizar, emplee una mascarilla antipolvo, protectores auditivos, guantes de protección o un mandil especial adecuado para protegerle de los pequeños fragmentos que pudieran salir proyectados.** Las gafas de protección deberán ser indicadas para protegerle de los fragmentos que pudieran salir despedidos al trabajar. La mascarilla antipolvo o respiratoria deberá ser apta para filtrar las partículas producidas al trabajar. La exposición prolongada al ruido puede provocarle sordera.
- j) **Cuide que las personas en las inmediaciones se mantengan a suficiente distancia de la zona de trabajo. Toda persona que acceda a la zona de trabajo deberá utilizar un equipo de protección personal.** Podrían ser lesionadas, incluso fuera del área de trabajo inmediato, al salir proyectados fragmentos de la pieza de trabajo o del útil.
- k) **Únicamente sujete la herramienta eléctrica por las superficies de agarre aisladas al realizar trabajos en los que el accesorio pueda tocar conductores eléctricos ocultos o el propio cable.** El contacto con conductores bajo tensión puede hacer que las partes metálicas de la herramienta eléctrica le provoquen una descarga eléctrica.
- l) **Mantenga el cable de red alejado del útil en funcionamiento.** En caso de que Vd. pierda el control sobre la herramienta eléctrica puede llegar a cortarse o enredarse el cable de red con el útil y lesionarle su mano o brazo.
- m) **Jamás deposite la herramienta eléctrica antes de que el útil se haya detenido por completo.** El útil en funcionamiento puede llegar a tocar la base de apoyo y hacerle perder el control sobre la herramienta eléctrica.
- n) **No deje funcionar la herramienta eléctrica mientras la transporta.** El útil en funcionamiento podría lesionarle al engancharse accidentalmente con su vestimenta o pelo.
- o) **Limpie periódicamente las rejillas de refrigeración de su herramienta eléctrica.** El ventilador del motor aspira polvo hacia el interior de la carcasa, y en caso de una acumulación fuerte de polvo metálico ello le puede provocar una descarga eléctrica.
- p) **No utilice la herramienta eléctrica cerca de materiales combustibles.** Las chispas producidas al trabajar pueden llegar a incendiar estos materiales.
- q) **No emplee útiles que requieran ser refrigerados con líquidos.** La aplicación de agua u otros refrigerantes líquidos puede comportar una descarga eléctrica.
- ### 2) CAUSAS DEL RECHAZO Y ADVERTENCIAS AL RESPECTO
- El rechazo es un reacción brusca que se produce al atascarse o engancharse el útil, como un disco de amolar, plato lijador, cepillo de alambre, etc. Al atascarse o engancharse el útil en funcionamiento, éste es frenado bruscamente. Ello puede hacerle perder el control sobre

la herramienta eléctrica y hacer que ésta salga impulsada en dirección opuesta al sentido de giro que tenía el útil.

- En el caso de que, p. ej., un disco amolador se atasque o bloquee en la pieza de trabajo, puede suceder que el canto del útil que penetra en el material se enganche, provocando la rotura del útil o el rechazo del aparato. Según el sentido de giro y la posición del útil en el momento de bloquearse puede que éste resulte despedido hacia, o en sentido opuesto al usuario. En estos casos puede suceder que el útil incluso llegue a romperse.
 - El rechazo es ocasionado por la aplicación o manejo incorrecto de la herramienta eléctrica. Es posible evitarlo ateniéndose a las medidas preventivas que a continuación se detallan.
- a) **Sujete con firmeza la herramienta eléctrica y mantenga su cuerpo y brazos en una posición propicia para resistir las fuerzas de reacción. Si forma parte del aparato, utilice siempre la empuñadura adicional para poder soportar mejor las fuerzas derivadas del rechazo y los pares de reacción en la puesta en marcha.** El usuario puede controlar la fuerza de rechazo y de reacción si toma unas medidas preventivas oportunas.
- b) **Jamás aproxime su mano al útil en funcionamiento.** En caso de un rechazo el útil podría lesionarle la mano.
- c) **No se sitúe dentro del área hacia el que se movería la herramienta eléctrica al ser rechazada.** Al resultar rechazada la herramienta eléctrica saldrá despedida desde el punto de bloqueo en dirección opuesta al sentido de giro del útil.
- d) **Tenga especial precaución al trabajar esquinas, cantos afilados, etc. Evite que el útil de amolar rebote contra la pieza de trabajo o que se atasque.** En las esquinas, cantos afilados, o al rebotar, el útil en funcionamiento tiende a atascarse. Ello puede hacerle perder el control o causar un rechazo del útil.
- e) **No utilice hojas de sierra para madera ni otros útiles dentados.** Estos útiles son propensos al rechazo y pueden hacerle perder el control sobre la herramienta eléctrica.

INSTRUCCIONES DE SEGURIDAD ADICIONALES

GENERAL

- Utilice esta herramienta sólo para pulido en seco
- Utilice únicamente las bridas que se entregan con esta herramienta
- Esta herramienta no debe utilizarse por personas menores de 16 años
- **Desenchufar siempre la herramienta antes de realizar cualquier ajuste o cambiar algún accesorio**
- **No trabaje materiales que contengan amianto** (el amianto es cancerígeno)

ACCESORIOS

- SKIL únicamente puede garantizar un funcionamiento correcto de la herramienta, cuando se utilicen los accesorios adecuados que podrá obtener de su proveedor de SKIL
- Cuando monte/utilice accesorios distintos de la marca SKIL, respete las instrucciones del fabricante

- Utilice únicamente accesorios cuyo límite de revoluciones permitido sea como mínimo igual a las revoluciones en vacío máximas de la herramienta
- Nunca utilice accesorios con un agujero "ciego" roscado inferior a M14 x 21 mm
- No utilice accesorios dañados, deformados o que vibran
- Maneje y guarde accesorios con cuidado

USO EXTERIOR

- Cuando utilice la herramienta en el exterior, enchúfela a través del interruptor de la corriente (FI) con un interruptor diferencial de 30 mA como máximo; sólo utilice un cable de extensión apropiado para su uso en el exterior y equipado con un enchufe a prueba de salpicaduras

ANTES DEL USO

- Compruebe siempre que la tensión de alimentación es la misma que la indicada en la placa de características de la herramienta
- Instale siempre la empuñadura auxiliar A ② o B ②; no utilice nunca la herramienta sin el mismo
- El polvo del material, como por ejemplo la pintura que contiene plomo, algunas especies de madera, minerales y metal podrían ser dañinos (el contacto o inhalación del polvo podría producir reacciones alérgicas y/o trastornos respiratorios al operador u otras personas cerca); **utilice una máscara contra el polvo y trabaje con un dispositivo de extracción de polvo cuando lo conecte**
- Ciertos tipos de polvo están catalogados como cancerígenos (por ejemplo el polvo de roble y de haya) especialmente junto con aditivos para el acondicionamiento de la madera; **utilice una máscara contra el polvo y trabaje con un dispositivo de extracción de polvo cuando lo conecte**
- Siga la normativa nacional en cuanto a extracción de polvo, en función de los materiales que vayan a ser utilizados
- **Asegure la pieza de trabajo** (una pieza de trabajo fijada con unos dispositivos de sujeción o en un tornillo de banco, se mantiene sujeta de forma mucho más segura que con la mano)
- No sujete la herramienta a un banco
- Utilice cables de extensión seguros y completamente desenrollados con una capacidad de 16 amperios

DURANTE EL USO

- Cuando trabaje mantenga siempre firme la herramienta con ambas manos y adopte una posición estable
- Mantenga siempre el cable lejos de las partes móviles de la herramienta; mantenga el cable detrás de usted, lejos de la herramienta
- Si llega a dañarse o cortarse el cable eléctrico durante el trabajo, no tocar el cable, sino extraer inmediatamente el enchufe de la red
- No utilizar la herramienta cuando el cable esté dañado; hágalo cambiar por una persona calificada
- En el caso de que se produjera un mal funcionamiento eléctrico o mecánico, apague inmediatamente la herramienta y desconecte el enchufe
- En caso de producirse un corte de corriente o cuando el enchufe se desconecta accidentalmente, suelte el interruptor H ② con el fin de prevenir que se vuelva a poner en marcha de manera descontrolada

DESPUÉS DEL USO

- Antes de poner la herramienta en el suelo, apague el motor y asegúrese de que todas las piezas móviles están completamente paradas
- Después de apagar la herramienta, nunca detenga la rotación del accesorio ejerciendo una fuerza lateral contra él

EXPLICACIÓN DE LOS SÍMBOLOS DE LA HERRAMIENTA

- ③ Lea el manual de instrucciones antes de utilizarla
- ④ Utilice gafas de protección y protección para los oídos
- ⑤ Doble aislamiento (no requiere cable de tierra)
- ⑥ No deseche la herramienta junta con los residuos domésticos

USO

- Montaje de empuñaduras auxiliares ⑦
 - ! **desenchufar la herramienta**
 - enrosque la empuñadura auxiliar A en uno de los lados de la herramienta (según el tipo de trabajo que vaya a realizar)
 - monte la empuñadura auxiliar B como se ilustra y apriete los tornillos suministrados con la llave hexagonal C
- Montaje de accesorios ②
 - ! **desenchufar la herramienta**
 - limpie el eje D y todas las piezas que vaya a montar
 - enrosque el disco de apoyo VELCRO E en el eje D mientras aprieta el botón de bloqueo del eje F
 - ! **sólo pulse el botón de bloqueo del eje F cuando el eje D esté inmóvil**
 - simplemente presione el sombrero de lana G sobre el disco de apoyo VELCRO E
 - para desmontar los accesorios, proceda de modo inverso
- Antes de utilizar la herramienta
 - asegúrese de que el accesorio esté correctamente montado y firmemente apretado
 - compruebe que el accesorio se mueve libremente al girarlo con la mano
 - pruebe la herramienta al dejarla funcionar en una posición segura durante al menos 60 segundos a la máxima velocidad en vacío
 - deténgala inmediatamente en caso de vibraciones considerables u otros defectos, y examine la herramienta para determinar su posible causa
- Encendido/apagado
 - ponga en marcha/pare su herramienta apretando/soltando el gatillo H ②
- Arranque suave electrónico
 - Asegura el alcance de la velocidad máxima suavemente sin la reacción súbita de la herramienta al conectarla
- Bloqueo del interruptor para uso permanente
 - apriete el gatillo H
 - apriete el botón J con su dedo pulgar
 - apaga la herramienta apretando el gatillo H una vez más y luego soltándolo
- Control de velocidad ⑧
 - con la rueda K puede regularse, sin escalonamientos, la velocidad máxima desde la posición más baja hasta la más alta (1-MAX)

- comience con la rueda K en la posición 1 (velocidad inferior)
- si es necesario, seleccione una velocidad mayor mientras funciona la herramienta
- la velocidad óptima de trabajo depende del material y puede determinarse con la práctica
- Utilización de la herramienta
 - ponga en marcha la herramienta
 - apoye la herramienta completamente sobre la superficie a pulir y desplácela uniformemente por secciones
 - cada desplazamiento debe presentar un solape de la mitad respecto al anterior desplazamiento
 - no la detenga en un punto concreto para evitar que se queme el recubrimiento
 - no desplace la herramienta en círculos para evitar que se manche o se queme el recubrimiento
- ! **antes de desactivar la herramienta, debe retirarla de la pieza de trabajo**
- ! **después de haber apagado la herramienta el accesorio continuará girando durante un corte período de tiempo**
- Sujeción y manejo de la herramienta ⑨
 - ! **durante el trabajo, sujete siempre la herramienta por la(s) zona(s) de empuñadura de color gris**
 - sujete siempre firmemente la herramienta con ambas manos para tener el control todo el tiempo
 - adopte una postura segura
 - ! **no aplique mucha presión sobre la herramienta para evitar que se pare**
 - mantenga las ranuras de ventilación L ② descubiertas

MANTENIMIENTO / SERVICIO

- Proteja la herramienta frente a golpes, choques y grasa
- Mantenga limpio el cable eléctrico y la herramienta (sobre todo las ranuras de ventilación L ②)
 - ! **desenchufar la herramienta antes de limpiar**
 - ! **no intentar limpiar insertando objetos puntiagudos a través de las ranuras de ventilación**
- Si a pesar de los esmerados procesos de fabricación y control, la herramienta llegase a averiarse, la reparación deberá encargarse a un servicio técnico autorizado para herramientas eléctricas SKIL
 - envíe la herramienta **sin desmontar** junto con una prueba de su compra a su distribuidor o a la estación de servicio más cercana de SKIL (los nombres así como el despiche de piezas de la herramienta figuran en www.skil.com)

AMBIENTE

- **No deseche las herramientas eléctricas, los accesorios y embalajes junto con los residuos domésticos** (sólo para países de la Unión Europea)
 - de conformidad con la Directiva Europea 2012/19/CE sobre residuos de aparatos eléctricos y electrónicos y su aplicación de acuerdo con la legislación nacional, las herramientas eléctricas cuya vida útil haya llegado a su fin se deberán recoger por separado y trasladar a una planta de reciclaje que cumpla con las exigencias ecológicas

- símbolo ⑥ llamará su atención en caso de necesidad de tirarlas

RUIDOS / VIBRACIONES

- Medido según EN 60745 el nivel de la presión acústica de esta herramienta se eleva a 86 dB(A) y el nivel de la potencia acústica a 97 dB(A) (desviación estándar: 3 dB), y la vibración a 8,5 m/s² (suma vectorial de tres direcciones; incertidumbre K = 1,5 m/s²)
 - El nivel de emisión de vibraciones ha sido medido según una prueba estándar proporcionada en EN 60745; puede utilizarse para comparar una herramienta con otra y como valoración preliminar de la exposición a las vibraciones al utilizar la herramienta con las aplicaciones mencionadas
 - al utilizarla para distintas aplicaciones o con accesorios diferentes o con un mantenimiento deficiente, podría **augmentar** de forma notable el nivel de exposición
 - en las ocasiones en que se apaga la herramienta o cuando está funcionando pero no está realizando ningún trabajo, se podría **reducir** el nivel de exposición de forma importante
- !** **protéjase contra los efectos de la vibración realizando el mantenimiento de la herramienta y sus accesorios, manteniendo sus manos calientes y organizando sus patrones de trabajo**



P

Máquina de polir 9955

9955

INTRODUÇÃO

- Esta ferramenta serve para polir superfícies metálicas, plásticas e revestidas, assim como para polir materiais de pedra sem a utilização de água
- Leia e guarde este manual de instruções ③

DADOS TÉCNICOS ①

ELEMENTOS DA FERRAMENTA ②

- A Punho auxiliar
- B Punho auxiliar (typo D)
- C Chave sextavada
- D Veio
- E Prato de borracha (VELCRO)
- F Botão de bloqueio do veio
- G Cobertura de lá
- H Interruptor para ligar/desligar
- J Botão do interruptor para bloquear/desbloquear
- K Roda para controle da velocidade máxima
- L Aberturas de ventilação

SEGURANÇA

INDICAÇÕES GERAIS DE SEGURANÇA PARA FERRAMENTAS ELÉTRICAS

⚠ ATENÇÃO Devem ser lidas todas as indicações de segurança, instruções, ilustrações e especificações desta ferramenta eléctrica. O desrespeito das instruções apresentadas abaixo pode causar choque eléctrico, incêndio e/ou graves lesões. **Guarde bem todas as advertências e instruções para futura referência.** O termo “ferramenta eléctrica” utilizado a seguir nas indicações de advertência, refere-se a ferramentas eléctricas operadas com corrente de rede (com cabo de rede) e a ferramentas eléctricas operadas com acumulador (sem cabo de rede).

1) SEGURANÇA DA ÁREA DE TRABALHO

- a) **Mantenha a sua área de trabalho limpa e arrumada.** Desordem ou áreas de trabalho com fraca iluminação podem causar acidentes.
- b) **Não trabalhar com a ferramenta eléctrica em áreas com risco de explosão, nas quais se encontrem líquidos, gases ou pós inflamáveis.** Ferramentas eléctricas produzem faíscas que podem provocar a ignição de pó e vapores.
- c) **Mantenha crianças e outras pessoas afastadas da ferramenta eléctrica durante o trabalho com a ferramenta.** Distrações podem causar a falta de controle sobre o aparelho.

2) SEGURANÇA ELÉTRICA

- a) **A ficha da ferramentas eléctricas devem caber na tomada. A ficha não deve ser modificada de modo algum. Não utilize quaisquer fichas de adaptação junto com ferramentas eléctricas ligadas à terra.** Fichas sem modificações e tomadas adequadas reduzem o risco de choques eléctricos.
 - b) **Evite que o corpo entre em contacto com superfícies ligadas à terra, como por exemplo tubos, radiadores, fogões e geladeiras.** Há um risco elevado de choques eléctricos, caso o corpo for ligado à terra.
 - c) **A ferramenta eléctrica não deve ser exposta à chuva nem humidade.** A penetração de água na ferramenta eléctrica aumenta o risco de choques eléctricos.
 - d) **O cabo do aparelho não deve ser utilizado para o transporte, para pendurar o aparelho, nem para puxar a ficha da tomada. Mantenha o cabo afastado de calor, óleo, cantos afiados ou partes em movimento do aparelho.** Cabos danificados ou torcidos aumentam o risco de choques eléctricos.
 - e) **Ao trabalhar com a ferramenta eléctrica ao ar livre, use um cabo de extensão apropriado para áreas externas.** O uso de um cabo apropriado para áreas externas reduz o risco de choques eléctricos.
 - f) **Se não for possível evitar o funcionamento da ferramenta eléctrica em áreas húmidas, deverá ser utilizado uma disjuntor de corrente de avaria.** A utilização de um disjuntor de corrente de avaria reduz o risco de um choque eléctrico.
- #### 3) SEGURANÇA DE PESSOAS
- a) **Esteja alerta, observe o que está a fazer, e tenha prudência ao trabalhar com a a ferramenta eléctrica.**

- Não use a ferramenta eléctrica se estiver fatigado ou sob a influência de drogas, álcool ou medicamentos.** Um momento de falta de atenção durante a operação da ferramenta eléctrica pode causar graves lesões.
- b) **Utilizar equipamento de protecção pessoal e sempre óculos de protecção.** A utilização de equipamento de protecção pessoal, como máscara de protecção contra pó, sapatos de segurança antiderrapantes, capacete de segurança ou protecção auricular, de acordo com o tipo e aplicação da ferramenta eléctrica, reduz o risco de lesões.
 - c) **Evitar uma colocação em funcionamento involuntária. Assure-se de que a ferramenta eléctrica esteja desligada, antes de conectá-la à alimentação de rede e/ou ao acumulador, antes de levantá-la ou de transportá-la.** Se tiver o dedo no interruptor ao transportar a ferramenta eléctrica ou se o aparelho for conectado à alimentação de rede enquanto estiver ligado, poderão ocorrer acidentes.
 - d) **Remover chaves de ajustes ou chaves de fenda, antes de ligar a ferramenta eléctrica.** Uma chave de fenda ou chave de ajuste que se encontre numa parte móvel do aparelho, pode levar a lesões.
 - e) **Não se sobrestime. Mantenha uma posição firme e mantenha sempre o equilíbrio.** Desta forma poderá ser mais fácil controlar o aparelho em situações inesperadas.
 - f) **Use roupa apropriada. Não use roupa larga ou jóias. Mantenha os cabelos e roupas afastados de partes em movimento.** Roupas largas, jóias ou cabelos longos podem ser agarradas por partes em movimento.
 - g) **Se for prevista a montagem de dispositivos de aspiração de pó e de dispositivos de recolha, assegure-se de que estão conectados e que sejam utilizados de forma correcta.** A utilização de uma aspiração de pó pode reduzir o perigo devido ao pó.
 - h) **Não deixe que a familiaridade resultante de uma utilização frequente de ferramentas permita que você se torne complacente e ignore os princípios de segurança da ferramenta.** Uma ação descuidada pode causar ferimentos graves numa fração de segundo.
- 4) USO E TRATAMENTO DE FERRAMENTAS ELÉTRICAS**
- a) **Não sobrecarregue a ferramenta eléctrica. Use para o seu trabalho a ferramenta eléctrica correcta.** A ferramenta correcta realizará o trabalho de forma melhor e mais segura dentro da faixa de potência indicada.
 - b) **Não utilize a ferramenta eléctrica se o interruptor não puder ser ligado nem desligado.** Qualquer ferramenta eléctrica que não possa ser controlada através do interruptor de ligar-desligar, é perigosa e deve ser reparada.
 - c) **Puxar a ficha da tomada e/ou remover o acumulador, se amovível, antes de executar ajustes na ferramenta, de substituir acessórios ou de guardar a ferramenta.** Esta medida de segurança evita que a ferramenta eléctrica seja ligada acidentalmente.
 - d) **Guarde ferramentas eléctricas que não estiverem sendo utilizadas, for a do alcance de crianças. Não permita que o aparelho seja utilizado por pessoas não familiarizadas com o mesmo ou que não tenham lido estas instruções.** Ferramentas eléctricas são perigosas nas mãos de pessoas sem treinamento.
 - e) **Trate a ferramenta eléctrica e os acessórios com cuidado. Verifique se as partes móveis do aparelho funcionam perfeitamente e não emperram, se há peças quebradas ou danificadas, que possam influenciar o funcionamento do aparelho. Peças danificadas devem ser reparadas antes da utilização do aparelho.** Muitos acidentes tem como causa uma manutenção insuficiente das ferramentas eléctricas.
 - f) **Mantenha as ferramentas de corte sempre afiadas e limpas.** Ferramentas de cortes devidamente tratadas, com cantos afiados travam com menos frequência e podem ser controladas com maior facilidade.
 - g) **Use a ferramenta eléctrica, os acessórios os bits da ferramenta etc., de acordo com estas instruções. Considere também as condições de trabalho e o trabalho a ser efectuado.** A utilização da ferramenta eléctrica para outros fins que os previstos, pode resultar em situações perigosas.
 - h) **Mantenha os punhos e as superfícies de agarrar secas, limpas e livres de óleo e massa consistente.** Punhos e superfícies de agarrar escorregadias não permitem o manuseio e controle seguros da ferramenta em situações inesperadas.
- 5) SERVIÇO**
- a) **A sua ferramenta eléctrica só deve ser reparada por pessoal qualificado e só devem ser colocadas peças sobressalentes originais.** Desta forma é assegurada a segurança da ferramenta eléctrica.
- INSTRUÇÕES DE SEGURANÇA PARA MÁQUINAS DE POLIR**
- 1) ADVERTÊNCIAS GERAIS DE SEGURANÇA PARA POLIR**
- a) **Esta ferramenta eléctrica pode ser utilizada como máquina para polir. Observar todas as indicações de aviso, instruções, apresentações e dados fornecidos com a ferramenta eléctrica.** O desrespeito das seguintes instruções pode levar a um choque eléctrico, incêndio e/ou graves lesões.
 - b) **Esta ferramenta eléctrica não é recomendada para operações de rebarbagem, lixagem, escovagem ou corte.** As operações para as quais a ferramenta eléctrica não foi concebida podem criar perigo e provocar lesões pessoais.
 - c) **Não permitir que hajam partes soltas da boina de polimento, principalmente cordões de fixação. Os cordões de fixação devem ser bem arrumados ou cortados.** Cordões de fixação soltos e em rotação podem agarrar os seus dedos ou prender-se na peça a ser trabalhada.
 - d) **Não utilizar acessórios, que não foram especialmente previstos e recomendados pelo fabricante para esta ferramenta eléctrica.** O facto de poder fixar o acessório a esta ferramenta eléctrica, não garante uma aplicação segura.
 - e) **O número de rotação admissível da ferramenta de trabalho deve ser no mínimo tão alto quanto o máximo número de rotação indicado na ferramenta**

- elétrica. Acessórios que girem mais rápido do que permitido, podem ser destruídos.
- f) **O diâmetro exterior e a espessura da ferramenta de trabalho devem corresponder às indicações de medida da sua ferramenta elétrica.** Ferramentas de trabalho incorrectamente medidas podem não ser suficientemente blindadas nem controladas.
 - g) **Ferramentas de trabalho com eixo roscado devem caber exactamente na rosca do veio de rectificação. Para ferramentas de trabalho montadas com flange é necessário que o diâmetro do furo da ferramenta de trabalho tenha as dimensões apropriadas para o flange.** Ferramentas de trabalho, que não são fixas exactamente na ferramenta elétrica, giram de forma irregular, vibram fortemente e podem levar à perda de controlo.
 - h) **Não utilizar ferramentas de trabalho danificadas. Antes de cada utilização deverá controlar as ferramentas de trabalho, e verificar se por exemplo os discos abrasivos apresentam fissuras e estilhaços, se pratos abrasivos apresentam fissuras, se há desgaste ou forte atrição, se as escovas de arame apresentam arames soltos ou quebrados. Se a ferramenta elétrica ou a ferramenta de trabalho caírem, deverá verificar se sofreram danos, ou deverá utilizar uma ferramenta de trabalho intacta. Após ter controlado e introduzido a ferramenta de trabalho, deverá manter a própria pessoa e as pessoas que se encontrem nas proximidades, fora do nível de rotação da ferramenta de trabalho e permitir que a ferramenta elétrica funcione durante um minuto com o máximo número de rotação.** A maioria das ferramentas de trabalho danificadas quebram durante este período de teste.
 - i) **Utilizar um equipamento de protecção pessoal. De acordo com a aplicação, deverá utilizar uma protecção para todo o rosto, protecção para os olhos ou um óculos protector. Se for necessário, deverá utilizar uma máscara contra pó, protecção auricular, luvas de protecção ou um avental especial, que mantenha afastadas pequenas partículas de amoladura e de material.** Os olhos devem ser protegidos contra partículas a voar, produzidas durante as diversas aplicações. A máscara contra pó ou a máscara de respiração deve ser capaz de filtrar o pó produzido durante a respectiva aplicação. Se for sujeito durante longo tempo a fortes ruídos, poderá sofrer a perda da capacidade auditiva.
 - j) **Observe que as outras pessoas mantenham uma distância segura em relação ao seu local de trabalho. Cada pessoa que entrar na área de trabalho, deverá usar um equipamento de protecção pessoal.** Estilhaços da peça a ser trabalhada ou ferramentas de trabalho quebradas podem voar e causar lesões fora da área imediata de trabalho.
 - k) **Segurar a ferramenta elétrica só pelas superfícies de punho isoladas ao executar trabalhos durante os quais o acessório possa atingir cabos elétricos escondidos ou o próprio cabo de rede.** O contacto com um cabo sob tensão também pode colocar sob tensão as peças metálicas do aparelho e levar a um choque elétrico.
- l) **Manter o cabo de rede afastado de ferramentas de trabalho em rotação.** Se perder o controlo sobre a ferramenta elétrica, é possível que o cabo de rede seja cortado ou enganchado e a sua mão ou braço sejam puxados contra a ferramenta de trabalho em rotação.
 - m) **Jamais depositar a ferramenta elétrica, antes que a ferramenta de trabalho esteja completamente parada.** A ferramenta de trabalho em rotação pode entrar em contacto com a superfície de apoio, provocando uma perda de controlo da ferramenta elétrica.
 - n) **Não permitir que a ferramenta elétrica funcione enquanto estiver a transportá-la.** A sua roupa pode ser agarrada devido a um contacto accidental com a ferramenta de trabalho em rotação, de modo que a ferramenta de trabalho possa ferir o seu corpo.
 - o) **Limpar regularmente as aberturas de ventilação da sua ferramenta elétrica.** A ventoinha do motor puxa pó para dentro da carcaça, e uma grande quantidade de pó de metal pode causar perigos elétricos.
 - p) **Não utilizar a ferramenta elétrica perto de materiais inflamáveis.** Faiscas podem incendiar estes materiais.
 - q) **Não utilizar ferramentas de trabalho que necessitem agentes de refrigeração líquidos.** A utilização de água ou de outros agentes de refrigeração líquidos pode provocar um choque elétrico.
- ## 2) CONTRA-GOLPE E RESPECTIVAS INDICAÇÕES DE AVISO
- Contra-golpe é uma repentina reacção devido a uma ferramenta de trabalho travada ou bloqueada, como por exemplo um disco abrasivo, um prato abrasivo, uma escova de arame etc. Um travamento ou um bloqueio levam a uma parada abrupta da ferramenta de trabalho em rotação. Desta forma, uma ferramenta elétrica descontrolada é acelerada no local do bloqueio, no sentido contrário da rotação da ferramenta de trabalho.
 - Se por exemplo um disco abrasivo travar ou bloquear numa peça a ser trabalhada, o canto do disco abrasivo pode mergulhar na peça a ser trabalhada e encravar-se, quebrando o disco abrasivo ou causando um contra-golpe. O disco abrasivo se movimentará então no sentido do operador ou para longe deste, dependendo do sentido de rotação do disco no local do bloqueio. Também é possível que os discos abrasivos quebrem.
 - Um contra-golpe é a consequência de uma utilização incorrecta ou indevida da ferramenta elétrica. Ele pode ser evitado por apropriadas medidas de cuidado, como descrito a seguir.
- a) **Segurar firmemente a ferramenta elétrica e posicionar o seu corpo e os braços de modo que possa resistir às forças de um contra-golpe. Sempre utilizar o punho adicional, se existente, para assegurar o máximo controlo possível sobre as forças de um contra-golpe ou sobre momentos de reacção durante o arranque.** O operador pode controlar as forças de contra-golpe e as forças de reacção através de medidas de cuidado apropriadas.
 - b) **Jamais permita que as suas mãos se encontrem perto de ferramentas de trabalho em rotação.** No caso de um contra-golpe a ferramenta de trabalho poderá passar pela sua mão.

- c) Evite que o seu corpo se encontre na área, na qual a ferramenta elétrica possa ser movimentada no caso de um contra-golpe. O contra-golpe força a ferramenta elétrica no sentido contrário ao movimento do disco abrasivo no local do bloqueio.
- d) **Trabalhar com especial cuidado na área ao redor de esquinas, cantos afiados etc. Evite que ferramentas de trabalho sejam ricocheteadas pela peça a ser trabalhada e travadas.** A ferramenta de trabalho em rotação tende a travar em esquinas, em cantos afiados ou se for ricocheteada. Isto causa uma perda de controlo ou um contra-golpe.
- e) **Não utilizar lâminas de serra de correias ou dentadas.** Estas ferramentas de trabalho causam frequentemente um contra-golpe ou a perda de controlo sobre a ferramenta elétrica.

ADVERTÊNCIAS DE SEGURANÇA ADICIONAIS

GENERAL

- Utilize esta ferramenta apenas para polimento a seco
- Utilize apenas os anéis fornecidos com a ferramenta
- Esta ferramenta não deve ser utilizada por pessoas menores de 16 anos
- **Desligue sempre a ficha da tomada antes de proceder a qualquer ajustamento ou troca de acessório**
- **Não processar material que contenha asbesto** (asbesto é considerado como sendo cancerígeno)

ACESSÓRIOS

- A SKIL só pode garantir um funcionamento perfeito da ferramenta, quando utilizada com os acessórios adequados que poderá adquirir nos revendedores autorizados SKIL
- Para montar/usar acessórios de outras marcas que não sejam SKIL, respeite as instruções do respectivo fabricante
- Utilize apenas acessórios com um número de rotação admissível no mínimo tão alto como o mais alto número de rotação em vazio da ferramenta
- Nunca utilize acessórios com uma abertura “fechada” de rosca inferior a M14 x 21 mm
- Não utilize acessórios que estejam danificados, deformados ou que vibrem
- Manuseie e guarde acessórios com cuidado

UTILIZAÇÃO NO EXTERIOR

- Quando utilizar a ferramenta no exterior, ligue-a utilizando um disjuntor de corrente de falha (FI) com uma corrente de disparo de 30 mA no máximo e utilize apenas uma extensão destinada a utilização no exterior e que esteja equipada com uma tomada de união à prova de salpicos

ANTES DA UTILIZAÇÃO

- Certifique-se sempre de que a tensão de alimentação está de acordo com a tensão indicada na placa de identificação da ferramenta
- Monte sempre a pega auxiliar A ② ou B ②; nunca utilize a ferramenta sem a pega
- O pó do material, como tinta com chumbo, algumas espécies de madeira, minerais e metais, pode ser prejudicial (contacto ou inalação do pó pode provocar reacções alérgicas e/ou doenças respiratórias ao operador ou às pessoas presentes); **use máscara**

respiratória e trabalhe com um dispositivo de extracção de pó quando ligado a

- Determinados tipos de pó são classificados como substâncias cancerígenas (como pó de carvalho e faia), em especial, juntamente com aditivos para acondicionamento da madeira; **use máscara respiratória e trabalhe com um dispositivo de extracção de pó quando ligado a**
- Siga o regulamento nacional quanto a extração de pó, em função dos materiais que vão ser utilizados
- **Fixe a peça de trabalho** (uma peça de trabalho fixa com dispositivos de fixação ou num torno fica melhor fixa do que manualmente)
- Não fixe a ferramenta num torno
- Utilize extensões completamente desenroladas e seguras, com uma capacidade de 16 Amp

DURANTE A UTILIZAÇÃO

- Durante o trabalho segure sempre a ferramenta firmemente com ambas as mãos e mantenha uma posição firme
- Mantenha sempre o fio afastado das peças rotativas da ferramenta; coloque o fio para trás, fora do alcance da ferramenta
- Caso o fio for danificado ou cortado durante o trabalho, não toque no fio, mas tire imediatamente a ficha da tomada
- Não utilizar ferramenta caso o fio esteja danificado; mandando-o substituir por pessoal qualificado
- Em caso de anomalias eléctricas ou mecânicas, desligue imediatamente a ferramenta e tire a ficha da tomada
- Em caso de interrupção na corrente ou se a ficha for retirada da tomada por engano, solte o interruptor H ② por forma a impedir que a ferramenta volte a arrancar descontroladamente

APÓS A UTILIZAÇÃO

- Antes de descansar a ferramenta, desligue o motor e certifique-se de que todas as peças rotativas estão paradas
- Depois de desligar a ferramenta, nunca páre a rotação do acessório exercendo força lateral sobre o mesmo

EXPLICAÇÃO DOS SÍMBOLOS DA FERRAMENTA

- ③ Leia o manual de instruções antes de utilizar o equipamento
- ④ Use óculos de protecção e protectores para os ouvidos
- ⑤ Isolamento duplo (nenhum fio de terra necessário)
- ⑥ Não deite a ferramenta no lixo doméstico

MANUSEAMENTO

- Montagem de pegas auxiliares ⑦
 - ! **desligar da fonte de corrente**
 - aparafuse a pega lateral A do lado direito ou esquerdo da ferramenta (dependendo do trabalho que vá efectuar)
 - monte a pega auxiliar B conforme ilustrado e aperte ambos os parafusos fornecidos com a chave hexagonal C
- Montagem de acessórios ②
 - ! **desligar da fonte de corrente**
 - limpe o veio D e todas as peças que vão ser montadas

- aparafuse o disco de suporte VELCRO E no veio D enquanto empurra o botão de fecho do veio F
- ! **carregue no botão de fecho do veio F apenas quando o veio D estiver parado**
- prima a cobertura de lâ G contra o disco de suporte VELCRO E
- para a desmontagem de acessórios, proceda ao contrário
- Antes de utilizar a ferramenta
 - assegure-se que o acessório está correctamente montado e apertado com firmeza
 - verifique que o acessório gira livremente rodando-o com a mão
 - ligue a ferramenta em vazio durante pelo menos 60 segundos na rotação máxima e numa posição de segurança
 - desligue imediatamente a ferramenta em caso de vibração excessiva ou outros defeitos de funcionamento, e verifique a causa do sucedido
- Ligar/desligar
 - ligue/desligue a ferramenta premindo/soltando o gatilho H ②
- Arranque suave electrónico
Para conseguir suavemente a velocidade máxima sem o impacto súbito que o arranque origina
- Fixação do interruptor para utilização contínua
 - premir o gatilho H
 - apertar o botão J com o polegar
 - desligue o interruptor apertando de novo o gatilho H e soltando-o de seguida
- Controle de velocidade ④
 - com a roda K pode regular-se gradualmente a velocidade máxima da baixa até alta (1-MAX)
 - comece com a roda K na posição 1 (velocidade mais baixa)
 - se for necessário, seleccione uma velocidade mais elevada com a ferramenta em funcionamento
 - a velocidade de trabalho óptima depende do material e pode ser determinada pelas tentativas práticas
- Utilização da ferramenta
 - ligue a ferramenta
 - coloque a ferramenta completamente na superfície que pretende polir e mova-a uniformemente por secções
 - um movimento deve sobrepor o movimento anterior numa metade
 - não pare num local para evitar a queimadura do revestimento
 - não mova a ferramenta em círculos para evitar manchas ou queimaduras no revestimento
- ! **antes de desligar a ferramenta, deve levantá-la da peça de trabalho**
- ! **o acessório continua a sua rotação durante um curto período de tempo, mesmo depois de a ferramenta já ter sido desligada**
- Segurar e guiar a ferramenta ⑨
 - ! **durante o trabalho, segure sempre a ferramenta na(s) área(s) de fixação cinzenta(s)**
 - segure sempre a ferramenta com firmeza utilizando ambas as mãos, por forma a ter sempre o controlo total da ferramenta
 - mantenha uma posição estável

! **não aplique demasiada pressão na ferramenta que a faça parar**

- mantenha as aberturas de ventilação L ② destapadas

MANUTENÇÃO / SERVIÇO

- Proteja a ferramenta contra impactos, choques e gordura
- Mantenha a ferramenta e o fio sempre limpos (especialmente as ranhuras de respiração L ②)
- ! **desligar a ferramenta da fonte de corrente antes de limpar**
- ! **evitar utilizar objectos pontiagudos na limpeza das ranhuras de respiração**
- Se a ferramenta falhar apesar de cuidadosos processos de fabricação e de teste, a reparação deverá ser executada por uma oficina de serviço autorizada para ferramentas eléctricas SKIL
 - envie a ferramenta **sem desmontar**, juntamente com a prova de compra, para o seu revendedor ou para o centro de assistência SKIL mais próximo (os endereços assim como a mapa de peças da ferramenta estão mencionados no www.skil.com)

AMBIENTE

- **Não deite ferramentas eléctricas, acessórios e embalagem no lixo doméstico** (apenas para países da UE)
 - de acordo com a directiva europeia 2012/19/CE sobre ferramentas eléctricas e electrónicas usadas e a transposição para as leis nacionais, as ferramentas eléctricas usadas devem ser recolhidas em separado e encaminhadas a uma instalação de reciclagem dos materiais ecológica
 - símbolo ⑥ lhe avisará em caso de necessidade de arranja-las

RUÍDO / VIBRAÇÃO

- Medido segundo EN 60745 o nível de pressão acústica desta ferramenta é 86 dB(A) e o nível de potência acústica 97 dB(A) (espaço de erro: 3 dB), e a vibração 8,5 m/s² (soma de vectores de três direcções; incerteza K = 1,5 m/s²)
- O nível de emissão de vibrações foi medido de acordo com um teste normalizado fornecido na EN 60745; pode ser utilizado para comparar uma ferramenta com outra e como uma avaliação preliminar de exposição à vibração quando utilizar a ferramenta para as aplicações mencionadas
 - utilizar a ferramenta para diferentes aplicações ou com acessórios diferentes ou mantidos deficientemente, pode **umentar** significativamente o nível de exposição
 - o número de vezes que a ferramenta é desligada ou quando estiver a trabalhar sem fazer nada, pode **reduzir** significativamente o nível de exposição
- ! **proteja-se contra os efeitos da vibração, mantendo a ferramenta e os acessórios, mantendo as mãos quentes e organizando os padrões de trabalho**

Lucidatrice

9955

INTRODUZIONE

- Questo utensile serve per lucidare superfici in metallo, plastica e verniciate, oltre che per lucidare materiali di pietra senza l'uso di acqua
- Leggete e conservate questo manuale di istruzione ③

DATI TECNICI ①

ELEMENTI UTENSILE ②

- A Impugnatura ausiliaria
- B Impugnatura ausiliaria (tipo D)
- C Chiave esagonale
- D Albero
- E Platorello (VELCRO)
- F Tasto di bloccaggio dell'albero
- G Platorello in lana
- H Interruttore di acceso/spento
- J Pulsante di bloccaggio dell'interruttore
- K Rotella di controllo della velocità massima
- L Feritoie di ventilazione

SICUREZZA

AVVERTENZE GENERALI DI PERICOLO PER ELETTROUTENSILI

AVVERTENZA Leggere tutte le avvertenze di pericolo, le istruzioni operative, le figure e le specifiche accluse al presente elettro utensile. Il mancato rispetto di tutte le istruzioni sottoelencate potrà comportare il pericolo di scosse elettriche, incendi e/o gravi lesioni. **Conservare tutte le avvertenze di pericolo e le istruzioni operative per ogni esigenza futura.** Il termine "elettro utensile" utilizzato nelle avvertenze di pericolo si riferisce ad elettro utensili alimentati dalla rete (con linea di allacciamento) ed ad elettro utensili alimentati a batteria (senza linea di allacciamento).

1) SICUREZZA DELLA POSTAZIONE DI LAVORO

- a) **Mantenere pulito ed ordinato il posto di lavoro.** Il disordine o le zone di lavoro non illuminate possono essere fonte di incidenti.
- b) **Evitare d'impiegare l'elettro utensile in ambienti soggetti al rischio di esplosioni nei quali si trovino liquidi, gas o polveri infiammabili.** Gli elettro utensili producono scintille che possono far infiammare la polvere o i gas.

- c) **Mantenere lontani i bambini ed altre persone durante l'impiego dell'elettro utensile.** Eventuali distrazioni potranno comportare la perdita del controllo sull'elettro utensile.

2) SICUREZZA ELETTRICA

- a) **La spina per la presa di corrente dovrà essere adatta alla presa. Evitare assolutamente di apportare modifiche alla spina. Non impiegare spine adattatrici assieme ad elettro utensili con**

collegamento a terra. Le spine non modificate e le prese adatte allo scopo riducono il rischio di scosse elettriche.

- b) **Evitare il contatto fisico con superfici collegate a terra, come tubi, riscaldamenti, cucine elettriche e frigoriferi.** Sussiste un maggior rischio di scosse elettriche nel momento in cui il corpo è messo a massa.
 - c) **Custodire l'elettro utensile al riparo dalla pioggia o dall'umidità.** L'eventuale infiltrazione di acqua in un elettro utensile va ad aumentare il rischio d'insorgenza di scosse elettriche.
 - d) **Non usare il cavo per scopi diversi da quelli previsti al fine di trasportare o appendere l'elettro utensile, oppure di togliere la spina dalla presa di corrente. Mantenere l'elettro utensile al riparo da fonti di calore, dall'olio, dagli spigoli o da pezzi in movimento.** I cavi danneggiati o aggrovigliati aumentano il rischio d'insorgenza di scosse elettriche.
 - e) **Qualora si voglia usare l'elettro utensile all'aperto, impiegare solo ed esclusivamente cavi di prolunga omologati per l'impiego all'esterno.** L'uso di un cavo di prolunga omologato per l'impiego all'esterno riduce il rischio d'insorgenza di scosse elettriche.
 - f) **Qualora non fosse possibile evitare di utilizzare l'elettro utensile in ambiente umido, utilizzare un interruttore di messa a terra.** L'uso di un interruttore di messa a terra riduce il rischio di una scossa elettrica.
- #### 3) SICUREZZA DELLE PERSONE
- a) **È importante concentrarsi su ciò che si sta facendo e a maneggiare con giudizio l'elettro utensile durante le operazioni di lavoro. Non utilizzare l'elettro utensile in caso di stanchezza o sotto l'effetto di droghe, bevande alcoliche e medicinali.** Un attimo di distrazione durante l'uso dell'elettro utensile potrà causare lesioni gravi.
 - b) **Indossare sempre equipaggiamento protettivo individuale. Usare sempre protezioni per gli occhi.** Se si avrà cura d'indossare equipaggiamento protettivo individuale come la maschera antipolvere, la calzatura antidistruciolevole di sicurezza, il casco protettivo o la protezione dell'udito, a seconda dell'impiego previsto per l'elettro utensile, si potrà ridurre il rischio di ferite.
 - c) **Evitare l'accensione involontaria dell'elettro utensile. Prima di collegarlo alla rete di alimentazione elettrica e/o alla batteria ricaricabile, prima di prenderlo oppure prima di iniziare a trasportarlo, assicurarsi che l'elettro utensile sia spento.** Tenendo il dito sopra l'interruttore mentre si trasporta l'elettro utensile oppure collegandolo all'alimentazione di corrente con l'interruttore inserito, si vengono a creare situazioni pericolose in cui possono verificarsi seri incidenti.
 - d) **Togliere gli attrezzi di regolazione o la chiave inglese prima di accendere l'elettro utensile.** Un elettro utensile o una chiave inglese che si trovino in una parte dell'elettro utensile in rotazione potranno causare lesioni.
 - e) **È importante non sopravvalutarsi. Avere cura di mettersi in posizione sicura e di mantenere l'equilibrio.** In tale maniera sarà possibile controllare meglio l'elettro utensile in situazioni inaspettate.

- f) **Indossare vestiti adeguati. Evitare di indossare vestiti lenti o gioielli. Tenere capelli e vestiti lontani da parti in movimento.** Vestiti lenti, gioielli o capelli lunghi potranno impigliarsi in pezzi in movimento.
- g) **Se sussiste la possibilità di montare dispositivi di aspirazione o di captazione della polvere, assicurarsi che gli stessi siano stati installati correttamente e vengano utilizzati senza errori.** L'utilizzo di un'aspirazione polvere può ridurre lo svilupparsi di situazioni pericolose dovute alla polvere.
- h) **Una volta presa confidenza con gli utensili, evitare di trascurare le norme di sicurezza.** Una mancanza di attenzione può causare gravi lesioni in una frazione di secondo.
- 4) MANEGGIO ED IMPIEGO ACCURATO DI ELETTROUTENSILI**
- a) **Non sovraccaricare l'elettrooutensile. Impiegare l'elettrooutensile adatto per sbrigare il lavoro.** Utilizzando l'elettrooutensile adatto si potrà lavorare meglio e con maggior sicurezza nell'ambito della gamma di potenza indicata.
- b) **Non utilizzare elettrooutensili con interruttori difettosi.** Un elettrooutensile che non si può più accendere o spegnere è pericoloso e dovrà essere riparato.
- c) **Prima di procedere ad operazioni di regolazione sull'elettrooutensile, prima di sostituire parti accessorie oppure prima di posare l'elettrooutensile al termine di un lavoro, estrarre sempre la spina dalla presa della corrente e/o estrarre la batteria ricaricabile, se rimovibile.** Tale precauzione eviterà che l'elettrooutensile possa essere messo in funzione inavvertitamente.
- d) **Custodire gli elettrooutensili non utilizzati al di fuori della portata dei bambini. Non fare usare l'elettrooutensile a persone che non sono abituate ad usarlo o che non abbiano letto le presenti istruzioni.** Gli elettrooutensili sono pericolosi se utilizzati da persone inesperte.
- e) **Eseguire la manutenzione degli elettrooutensili e degli accessori. Verificare che le parti mobili dell'elettrooutensile funzionino perfettamente e non s'inceppino, che non ci siano pezzi rotti o danneggiati al punto tale da limitare la funzione dell'elettrooutensile stesso. Far riparare le parti danneggiate prima d'impiegare l'elettrooutensile.** Numerosi incidenti vengono causati da elettrooutensili la cui manutenzione è stata effettuata poco accuratamente.
- f) **Mantenere affilati e puliti gli elettrooutensili da taglio.** Gli elettrooutensili da taglio curati con particolare attenzione e con taglienti affilati s'inceppano meno frequentemente e sono più facili da condurre.
- g) **Utilizzare elettrooutensili, accessori, attrezzi, ecc. in conformità con le presenti istruzioni. Osservare le condizioni di lavoro ed il lavoro da eseguirsi durante l'impiego.** L'impiego di elettrooutensili per usi diversi da quelli consentiti potrà dar luogo a situazioni di pericolo.
- h) **Mantenere impugnature e superfici di presa asciutte, pulite e prive di olio e grasso.** Impugnature e superfici di presa scivolose non consentono di

manipolare e controllare l'utensile in caso di situazioni inaspettate.

5) ASSISTENZA

- a) **Fare riparare l'elettrooutensile solo ed esclusivamente da personale specializzato e solo impiegando pezzi di ricambio originali.** In tale maniera potrà essere salvaguardata la sicurezza dell'elettrooutensile.

ISTRUZIONI DI SICUREZZA PER LUCIDATRICI

1) ISTRUZIONI DI SICUREZZA GENERALI PER LAVORI DI LUCIDATURA

- a) **Questo elettrooutensile è previsto per essere utilizzato come lucidatrice. Attenersi a tutte le avvertenze di pericolo, istruzioni, rappresentazioni e dati che si ricevono insieme all' elettrooutensile.** In caso di mancata osservanza delle seguenti istruzioni vi è il pericolo di provocare una scossa elettrica, di sviluppare incendi e/o di provocare seri incidenti.
- b) **Questo elettrooutensile non è consigliato per operazioni di smerigliatura, sabbatura, spazzolatura metallica o taglio.** Qualsiasi operazione per la quale l'utensile non è stato concepito, potrebbe creare un pericolo e causare delle lesioni alla persona.
- c) **Evitare assolutamente che parti della cappa lucidatura restino staccate e prestare in modo particolare attenzione alle cordicelle di fissaggio. Raccogliere per bene oppure tagliare le cordicelle di fissaggio ad una lunghezza adatta.** Cordicelle di fissaggio che girino con la cappa possono far presa sulle dita dell'operatore oppure rimanere impigliate nel pezzo in lavorazione.
- d) **Non utilizzare nessun accessorio che la casa costruttrice non abbia esplicitamente previsto e raccomandato per questo elettrooutensile.** Il semplice fatto che un accessorio possa essere fissato al Vostro elettrooutensile non è una garanzia per un impiego sicuro.
- e) **Il numero di giri ammesso dell'accessorio impiegato deve essere almeno tanto alto quanto il numero massimo di giri riportato sull'elettrooutensile.** Un accessorio che giri più rapidamente di quanto consentito può essere danneggiato.
- f) **Il diametro esterno e lo spessore dell'accessorio montato devono corrispondere ai dati delle dimensioni dell'elettrooutensile in dotazione.** In caso di utilizzo di portautensili e di accessori di dimensioni sbagliate non sarà possibile schermanli oppure controllarli a sufficienza.
- g) **Accessori con filetto riportato devono essere adatti in modo preciso alla filettatura dell'alberino. Negli accessori che vengono montati tramite flangia, il diametro del foro dell'accessorio deve corrispondere al diametro di alloggiamento della flangia.** Accessori che non vengono fissati in modo preciso all'elettrooutensile non ruotano in modo uniforme, vibrano molto forte e possono provocare la perdita del controllo.
- h) **Non utilizzare mai portautensili od accessori danneggiati. Prima di ogni utilizzo controllare i portautensili e gli accessori ed accertarsi che sui dischi abrasivi non vi siano scheggiature o crepature, che il platello non sia soggetto ad**

incrinature, crepature o forte usura e che le spazzole metalliche non abbiano fili metallici allentati oppure rotti. Se l'elettrotensile oppure l'accessorio impiegato dovesse sfuggire dalla mano e cadere, accertarsi che questo non abbia subito nessun danno oppure utilizzare un accessorio intatto. Una volta controllato e montato il portautensili o accessorio, far funzionare l'elettrotensile per la durata di un minuto con il numero massimo di giri avendo cura di tenersi lontani e di impedire anche ad altre persone presenti di avvicinarsi al portautensili o accessorio in rotazione. Nella maggior parte dei casi i portautensili o accessori danneggiati si rompono nel corso di questo periodo di prova.

- i) **Indossare abbigliamento di protezione. A seconda dell'applicazione in corso utilizzare una visiera completa, maschera di protezione per gli occhi oppure occhiali di sicurezza. Per quanto necessario, portare maschere per polveri, protezione acustica, guanti di protezione oppure un grembiule speciale in grado di proteggervi da piccole particelle di levigatura o di materiale.** Gli occhi dovrebbero essere protetti da corpi estranei scaraventati per l'aria nel corso di diverse applicazioni. La maschera antipolvere e la maschera respiratoria devono essere in grado di filtrare la polvere provocata durante l'applicazione. Esponendosi per lungo tempo ad un rumore troppo forte vi è il pericolo di perdere l'udito.
- j) **Avere cura di evitare che altre persone possano avvicinarsi alla zona in cui si sta lavorando. Ogni persona che entra nella zona di operazione deve indossare un abbigliamento protettivo personale.** Frammenti del pezzo in lavorazione oppure utensili rotti possono volar via oppure provocare incidenti anche al di fuori della zona diretta di lavoro.
- k) **Tenere l'elettrotensile sempre per le superfici isolate dell'impugnatura qualora venissero effettuati lavori durante i quali l'accessorio potrebbe venire a contatto con cavi elettrici nascosti oppure con il proprio cavo di rete.** Il contatto con un cavo sotto tensione può mettere sotto tensione anche parti metalliche dell'utensile, causando una scossa elettrica.
- l) **Tenere il cavo di collegamento elettrico sempre lontano da portautensili o accessori in rotazione.** Se si perde il controllo sull'elettrotensile vi è il pericolo di troncare o di colpire il cavo di collegamento elettrico e la Vostra mano o braccio può arrivare a toccare il portautensili o accessorio in rotazione.
- m) **Mai poggiare l'elettrotensile prima che il portautensili o l'accessorio impiegato non si sia fermato completamente.** L'utensile in rotazione può entrare in contatto con la superficie di appoggio facendo Vi perdere il controllo sull'elettrotensile
- n) **Mai trasportare l'elettrotensile mentre questo dovesse essere ancora in funzione.** Attraverso un contatto casuale l'utensile in rotazione potrebbe fare presa sugli indumenti oppure sui capelli dell'operatore e potrebbe arrivare a ferire seriamente il corpo dell'operatore.
- o) **Pulire regolarmente le feritoie di ventilazione dell'elettrotensile in dotazione.** Il ventilatore del

motore attira polvere nella carcassa ed una forte raccolta di polvere di metallo può provocare pericoli di origine elettrica.

- p) **Non utilizzare mai l'elettrotensile nelle vicinanze di materiali infiammabili.** Le scintille possono far prendere fuoco questi materiali.
- q) **Non utilizzare mai accessori che richiedano refrigeranti liquidi.** L'utilizzo di acqua o di altri liquidi refrigeranti può provocare una scossa di corrente elettrica.

2) CONTRACCOLPO E RELATIVE AVVERTENZE DI PERICOLO

- Un contraccolpo è l'improvvisa reazione in seguito ad agganciamento oppure blocco di accessorio in rotazione come può essere un disco abrasivo, platorello, spazzola metallica ecc.. Agganciandosi oppure bloccandosi il portautensili o accessorio provoca un arresto improvviso della rotazione dello stesso. In questo caso l'operatore non è più in grado di controllare l'elettrotensile ed al punto di blocco si provoca un rimbalzo dello stesso che avviene nella direzione opposta a quella della rotazione del portautensili o dell'accessorio.
 - Se p.es. un disco abrasivo resta agganciato o bloccato nel pezzo in lavorazione, il bordo del disco abrasivo che si abbassa nel pezzo in lavorazione può rimanere impigliato provocando in questo modo una rottura oppure un contraccolpo del disco abrasivo. Il disco abrasivo si avvicina o si allontana dall'operatore a seconda della direzione di rotazione che ha nel momento in cui si blocca. In tali situazioni è possibile che le mole abrasive possano anche rompersi.
 - Un contraccolpo è la conseguenza di un utilizzo non appropriato oppure non corretto dell'elettrotensile. Esso può essere evitato soltanto prendendo misure adatte di sicurezza come dalla descrizione che segue.
- a) **Tenere sempre ben saldo l'elettrotensile e portare il proprio corpo e le proprie braccia in una posizione che Vi permetta di compensare le forze di contraccolpo. Se disponibile, utilizzare sempre l'impugnatura supplementare in modo da poter avere sempre il maggior controllo possibile su forze di contraccolpi oppure momenti di reazione che si sviluppano durante la fase in cui la macchina raggiunge il regime di pieno carico.** Prendendo appropriate misure di precauzione l'operatore può essere in grado di tenere sotto controllo le forze di contraccolpo e quelle di reazione a scatti.
- b) **Mai avvicinare la propria mano alla zona degli utensili in rotazione.** Nel corso dell'azione di contraccolpo il portautensili o accessorio potrebbe passare sulla Vostra mano.
- c) **Evitare di avvicinarsi con il proprio corpo alla zona in cui l'elettrotensile viene mosso in caso di un contraccolpo.** Un contraccolpo provoca uno spostamento improvviso dell'elettrotensile che si sviluppa nella direzione opposta a quella della rotazione della mola abrasiva al punto di blocco.
- d) **Operare con particolare attenzione in prossimità di spigoli, spigoli taglienti ecc.. Avere cura di impedire che portautensili o accessori possano rimbalzare dal pezzo in lavorazione oppure possano rimanervi bloccati.** L'utensile in rotazione ha la tendenza a

rimanere bloccato in angoli, spigoli taglienti oppure in caso di rimbalzo. Ciò provoca una perdita del controllo oppure un contraccolpo.

- e) **Non utilizzare seghe a catena e neppure lame dentellate.** Questo tipo di accessori provocano spesso un contraccolpo oppure la perdita del controllo sull'elettro utensile.

ULTERIORI AVVERTENZE DI SICUREZZA

NOTE GENERALI

- Usare questo utensile solo per operazioni di lucidatura a secco
- Usare solamente le flange fornite con questo utensile
- Questo utensile non dev'essere utilizzato da persone di età inferiore ai 16 anni
- **Staccate sempre la spina dell'utensile prima di effettuare regolazioni o cambiare gli accessori**
- **Non lavorare mai materiali contenenti amianto** (l'amianto è ritenuto materiale cancerogeno)

ACCESSORI

- La SKIL garantisce un perfetto funzionamento dell'utensile soltanto se vengono utilizzati accessori corretti che si possono ottenere presso il vostro negoziante
- Per il montaggio/uso di accessori non di produzione SKIL, osservare le istruzioni del fabbricante interessato
- Utilizzate solo accessori il cui numero massimo di giri corrisponda almeno al massimo dei numeri di giri dell'utensile
- Non usare mai accessori con un foro "cieco" filettato di dimensione inferiore a M14 x 21 mm
- Non usare accessori danneggiati, deformati, o vibranti
- Maneggiare e conservare con cura gli accessori

USO ALL'ESTERNO

- Quando usato l'esterno, collegare l'utensile ad un interruttore automatico di rete (FI) con una corrente di scatto di 30 mA massimo, ed usare solamente il cavo di prolunga inteso per uso esterno e munito di una presa antispruzzo

PRIMA DELL'USO

- Controllare che la tensione dell'alimentazione sia la stessa di quella indicata sulla targhetta dell'utensile
- Montare sempre l'impugnatura ausiliaria A ② o B ②; non usare mai l'utensile senza l'impugnatura
- Le polveri di materiali come vernici contenenti piombo, alcune specie di legno, minerali e metallo possono essere nocive (il contatto con queste polveri o la loro inalazione possono causare reazioni allergiche e/o disturbi respiratori all'operatore o ad altre persone presenti sul posto); **indossare una maschera protettiva per la polvere e utilizzare un dispositivo per l'estrazione della polvere se è presente una presa di collegamento**
- Alcuni tipi di polvere sono classificati come cancerogeni (quali le polveri di quercia e faggio) specialmente se associate ad additivi per il trattamento del legno; **indossare una maschera protettiva per la polvere e utilizzare un dispositivo per l'estrazione della polvere se è presente una presa di collegamento**
- Rispettare le istruzioni nazionali riguardanti l'estrazione della polvere per i materiali in lavorazione

- **Fissare il pezzo da lavorare** (un pezzo in lavorazione rimane bloccato in posizione con maggiore sicurezza se fissato con appositi dispositivi di serraggio o con una morsa e non tenendolo con la mano)
- Non serrare l'utensile in una morsa
- Usare cavi di prolunga completamente srotolati e sicure con una capacità di 16 Amp

DURANTE L'USO

- Durante le operazioni di lavoro tenete sempre l'utensile con ambedue le mani ed assumete una sicura posizione di lavoro
- Mantenere sempre il cavo distante dalle parti in movimento dell'utensile; spingere il cavo verso la parte posteriore, distante dall'utensile
- Se durante un'operazione di lavoro viene danneggiato oppure troncato il cavo, non toccare il cavo ma estrarre immediatamente la spina dalla presa
- Non usare l'utensile quando il cavo è danneggiato; farlo sostituire da personale qualificato
- Nel caso di cattivo funzionamento elettrico o meccanico, spegnete subito l'utensile e staccate la spina
- In caso di mancata corrente oppure quando la spina viene tirata fuori accidentalmente, rilasciate l'interruttore H ② onde impedire riavvio incontrollato

DOPO L'USO

- Prima di riporre l'utensile, spegnere il motore ed assicurarsi che tutte le parti in movimento si siano arrestate completamente
- Dopo aver spento l'utensile, non arrestare mai la rotazione dell'accessorio applicandovi una forza laterale

SPIEGAZIONE DEI SIMBOLI PRESENTI

SULL'UTENSILE

- ③ Leggere il manuale di istruzioni prima dell'uso
- ④ Portare occhiali di protezione e protezione dell'udito
- ⑤ Doppio isolamento (non è necessario alcun cavo di terra)
- ⑥ Non gettare l'utensile tra i rifiuti domestici

USO

- Montaggio delle impugnature ausiliarie ⑦
 - ! **estrarre la spina dalla presa**
 - avvitare l'impugnatura ausiliaria A sul lato destro dell'utensile (secondo il lavoro da effettuare)
 - montare l'impugnatura ausiliaria B come illustrato e serrare entrambe le viti fornite con la chiave esagonale C
- Montaggio degli accessori ②
 - ! **estrarre la spina dalla presa**
 - pulire l'albero D e tutte le parti che si devono montare
 - avvitare il platello di VELCRO E sull'albero D premendo il pulsante di bloccaggio dell'albero F
 - ! **spinger il tasto F di bloccaggio dell'albero solo quando l'albero D è fermo**
 - premere semplicemente il disco di lana G sul platello di VELCRO E
 - per smontare gli accessori invertire la procedura
- Prima di utilizzare l'utensile
 - assicurarsi che l'accessorio sia montato correttamente e fissato saldamente
 - controllate che l'accessorio giri liberamente, facendolo ruotare con la mano
 - fare girare a vuoto l'utensile per almeno 60 secondi alla velocità massima in una posizione sicura

- arrestare immediatamente in caso di forti vibrazioni o altri difetti e cercare di determinare la causa
- **Acceso/spento**
 - per accendere/spegnere il vostro utensile schiacciare/ri lasciare l'interruttore H ②
- **Partenza dolce elettronica**
Per raggiungere lentamente la velocità massima senza l'impatto improvviso provocato dall'accensione dell'utensile
- **Blocco dell'interruttore per il funzionamento continuo**
 - schiacciare l'interruttore H
 - premere il pulsante J con il pollice
 - per sbloccarlo schiacciare nuovamente l'interruttore H e poi rilasciarlo
- **Controllo della velocità ⑧**
 - con la rotella K potete scegliere progressivamente la velocità massima da bassa ad alta (1-MAX)
 - iniziare con la rotellina K in posizione 1 (velocità più bassa)
 - se necessario, selezionare una velocità superiore mentre l'utensile gira
 - la velocità di esercizio ottimale dipende dal materiale e può essere stabilita mediante prove pratiche
- **Uso dell'utensile**
 - accendete l'utensile
 - posizionare bene l'utensile sulla superficie da lucidare e spostarlo in modo uniforme avanzando per sezioni
 - ogni movimento deve sovrapporre il movimento precedente di una metà
 - non fermarsi su un singolo punto per evitare di bruciare la verniciatura
 - non spostare l'utensile in cerchi per evitare di macchiare o bruciare la verniciatura
- ! **prima di spegnere l'utensile, dovrete sollevarlo dal pezzo di lavorazione**
- ! **l'accessorio continua a ruotare per un certo tempo dopo che l'utensile è stato spento**
- **Tenuta e guida dell'utensile ③**
 - ! **durante la lavorazione, impugna l'utensile sempre in corrispondenza della(e) area(e) grigia(e)**
 - impugnare sempre l'utensile con entrambe le mani, in modo da averne completo controllo in qualsiasi momento
 - prevedere una posizione sicura
 - ! **non applicare troppa pressione sull'utensile che si ferma**
 - tenere scoperte le feritoie di ventilazione L ②

MANUTENZIONE / ASSISTENZA

- Proteggere l'utensile da impatti, urti e grasso
- Tenete sempre puliti utensile e cavo (soprattutto le feritoie di ventilazione L ②)
 - ! **prima di pulire estrarre la spina dalla presa**
 - ! **non cercate di pulire inserendo oggetti nelle feritoie di ventilazione**
- Se nonostante gli accurati procedimenti di produzione e di controllo l'utensile dovesse guastarsi, la riparazione va fatta effettuare da un punto di assistenza autorizzato per gli elettroutensili SKIL
 - inviare l'utensile **non smontato** assieme alle prove di acquisto al rivenditore oppure al più vicino centro assistenza SKIL (l'indirizzo ed il disegno delle parti di ricambio dell'utensile sono riportati su www.skil.com)

TUTELA DELL'AMBIENTE

- **Non gettare l'utensile elettrico, gli accessori e l'imballaggio tra i rifiuti domestici** (solo per paesi UE)
 - secondo la Direttiva Europea 2012/19/CE sui rifiuti di utensili elettrici ed elettronici e la sua attuazione in conformità alle norme nazionali, gli utensili elettrici esausti devono essere raccolti separatamente, al fine di essere reimpiagati in modo eco-compatibile
 - il simbolo ⑥ vi ricorderà questo fatto quando dovrete eliminarle

RUMOROSITÀ / VIBRAZIONE

- Misurato in conformità al EN 60745 il livello di pressione acustica di questo utensile è 86 dB(A) ed il livello di potenza acustica 97 dB(A) (deviazione standard: 3 dB), e la vibrazione 8,5 m/s² (somma dei vettori in tre direzioni; incertezza K = 1,5 m/s²)
- Il livello di emissione delle vibrazioni è stato misurato in conformità a un test standardizzato stabilito dalla norma EN 60745; questo valore può essere utilizzato per mettere a confronto un l'utensile con un altro o come valutazione preliminare di esposizione alla vibrazione quando si impiega l'utensile per le applicazioni menzionate
 - se si utilizza l'utensile per applicazioni diverse, oppure con accessori differenti o in scarse condizioni, il livello di esposizione potrebbe **umentare** notevolmente
 - i momenti in cui l'utensile è spento oppure è in funzione ma non viene effettivamente utilizzato per il lavoro, possono contribuire a **ridurre** il livello di esposizione
- ! **protegersi dagli effetti della vibrazione effettuando la manutenzione dell'utensile e dei relativi accessori, mantenendo le mani calde e organizzando i metodi di lavoro**

H

Polírozó

9955

BEVEZETÉS

- Ez a szerszám fém, műanyag és bevonattal rendelkező felületek, valamint kőanyagok víz alkalmazása nélkül történő polírozására készült
- Olvassa el figyelmesen és őrizze meg a használati utasítást ③

MŰSZAKI ADATOK ①

SZERSZÁMGÉP ELEMEI ②

- A Oldalfogantyú
- B Oldalfogantyú (D típus)
- C Hatszögkulcs
- D Tengely
- E Tányér (VELCRO)
- F Elfordulás elleni gomb
- G Gyapjú burkolat
- H Be/ki kapcsológomb
- J Bekapcsolást reteszelő gomb

- K A maximális sebesség beállítására szolgáló kerék
L Szellőzőnyílások

BIZTONSÁG

ÁLTALÁNOS BIZTONSÁGI ELŐÍRÁSOK AZ ELEKTROMOS KÉZISZERSZÁMOKHOZ

FIGYELMEZTETÉS Olvassa el az ehhez a kéziszerszámmal mellékelte összes biztonsági figyelmeztetést, előírást, illusztrációt és specifikációt. Az alábbiakban felsorolt előírások betartásának elmulasztása áramütésekhez, tűzhöz és/vagy súlyos testi sérülésekhez vezethet. **Őrizze meg a jövőbeli használatra is valamennyi biztonsági előírást és utasítást.** Az alább alkalmazott "elektromos kéziszerszám" fogalom a hálózati elektromos kéziszerszámokat (hálózati csatlakozó kábelrel) és az akkumulátoros elektromos kéziszerszámokat (hálózati csatlakozó kábel nélküli) foglalja magában.

1) MUNKAHELYI BIZTONSÁG

- a) **Tartsa tisztán és tartsa rendben a munkahelyét.** Rendetlen munkahelyek vagy megvilágítatlan munkaterületek balesetekhez vezethetnek.
- b) **Ne dolgozzon az elektromos kéziszerszámmal olyan robbanásveszélyes környezetben, ahol éghető folyadékok, gázok vagy porok vannak.** Az elektromos kéziszerszámok szikrákat bocsáthatnak ki, amelyek meggyújthatják a port vagy a gőzöket.
- c) **Tartsa távol a gyerekeket és az idegen személyeket a munkahelytől, ha az elektromos kéziszerszámot használja.** Ha elvonják a figyelmét a munkától, könnyen elvesztheti az uralmát a berendezés felett.

2) ELEKTROMOS BIZTONSÁGI ELŐÍRÁSOK

- a) **A készülék csatlakozó dugójának bele kell illeszkednie a dugaszolóaljzatba. A csatlakozó dugót semmilyen módon sem szabad megváltoztatni. Védőföldeléssel ellátott készülékekkel kapcsolatban ne használjon csatlakozó adaptert.** A változtatás nélküli csatlakozó dugók és a megfelelő dugaszoló aljzatok csökkentik az áramütés kockázatát.
- b) **Ne érjen hozzá földelt felületekhez, mint csövekhez, fűtőtestekhez, kályhákhoz és hűtőszekrényekhez.** Az áramütési veszély megnövekszik, ha a teste le van földelve.
- c) **Tartsa távol az elektromos kéziszerszámot az esőtől és a nedvesség hatásaitól.** Ha víz hatol be egy elektromos kéziszerszámba, ez megnöveli az áramütés veszélyét.
- d) **Ne használja a kábelt a rendeltetésétől eltérő célokra, vagyis a szerszámot soha ne hordozza vagy akassza fel a kábelnél fogva, és soha ne húzza ki a hálózati csatlakozó dugót a kábelnél fogva. Tartsa távol a kábelt hőforrásoktól, olajtól, éles élektől, sarkaktól és mozgó gépkomponensektől.** Egy megrongálódott vagy csomókkal teli kábel megnöveli az áramütés veszélyét.
- e) **Ha egy elektromos kéziszerszámmal a szabad ég alatt dolgozik, csak a szabadban való használatra engedélyezett hosszabbítót használjon. A szabadban**

való használatra engedélyezett hosszabbító használatra csökkenti az áramütés veszélyét.

- f) **Ha nem lehet elkerülni az elektromos kéziszerszám nedves környezetben való használatát, alkalmazzon egy földzárlat megszakítót.** Egy földzárlat megszakító alkalmazása csökkenti az áramütés kockázatát.
- 3) **SZEMÉLYI BIZTONSÁGI ELŐÍRÁSOK**
- a) **Munka közben mindig figyeljen, ügyeljen arra, amit csinál, és meggondoltan dolgozzon az elektromos kéziszerszámmal. Ha fáradt, ha kábítószerek vagy alkohol hatása alatt áll, vagy orvságokat vett be, ne használja a berendezést.** A berendezéssel végzett munka közben már egy pillanatnyi figyelmetlenség is komoly sérülésekhez vezethet.
- b) **Viseljen személyi védőfelszerelést és mindig viseljen védőszemüveget.** A személyi védőfelszerelések, mint porvédő álarc, csúszásbiztos védőcipő, védősapka és fülvédő használatra az elektromos kéziszerszám használatra jellegének megfelelően csökkenti a személyes sérülések kockázatát.
- c) **Kerülje el a készülék akaratlan üzembe helyezését. Győződjön meg arról, hogy az elektromos kéziszerszám ki van kapcsolva, mielőtt bedugná a csatlakozó dugót a dugaszolóaljzatba, csatlakoztatná az akkumulátor-csomagot, és mielőtt felvenné és vinni kezdené az elektromos kéziszerszámot.** Ha az elektromos kéziszerszám felemelése közben az ujját a kapcsolón tartja, vagy ha a készüléket bekapcsolt állapotban csatlakoztatja az áramforráshoz, ez balesetekhez vezethet.
- d) **Az elektromos kéziszerszám bekapcsolása előtt okvetlenül távolítsa el a beállító szerszámokat vagy csavarkulcsokat.** Az elektromos kéziszerszám forgó részeiben felejtett beállító szerszám vagy csavarkulcs sérüléseket okozhat.
- e) **Ne becsülje túl önmagát. Kerülje el a normálistól eltérő testtartást, ügyeljen arra, hogy mindig biztosan álljon és az egyensúlyát megtartsa.** Így az elektromos kéziszerszám felett váratlan helyzetekben is jobban tud uralkodni.
- f) **Viseljen megfelelő ruhát. Ne viseljen bő ruhát vagy ékszereket. Tartsa távol a haját és a ruháját a mozgó részekről.** A bő ruhát, az ékszereket és a hosszú hajat a mozgó alkatrészek magukkal rántthatják.
- g) **Ha az elektromos kéziszerszámra fel lehet szerelni a por elszívásához és összegyűjtéséhez szükséges berendezéseket, ellenőrizze, hogy azok megfelelő módon hozzá vannak kapcsolva a készülékhez és rendeltetésüknek megfelelően működnek.** A porgyűjtő berendezések használatra csökkenti a munka során keletkező por veszélyes hatását.
- h) **Ne hagyja, hogy az elektromos kéziszerszám gyakori használatra során szerzett tapasztalatok olyan önelégültté tegyék, hogy figyelmen kívül hagyja az idevonatkozó biztonsági alapelveket.** Egy gondatlan művelet egy másodperc törtrésze alatt súlyos sérüléseket okozhat.
- 4) **AZ ELEKTROMOS KÉZISZERSZÁMOK GONDOS KEZELÉSE ÉS HASZNÁLATA**
- a) **Ne terhelje túl az elektromos kéziszerszámot. A munkájához csak az arra szolgáló elektromos**

kéziszerszámot használja. Egy alkalmas elektromos kéziszerszámmal a megadott teljesítménytartományon belül jobban és biztonságosabban lehet dolgozni.

- b) **Ne használjon olyan elektromos kéziszerszámot, amelynek a kapcsolója elromlott.** Egy olyan elektromos kéziszerszám, amelyet nem lehet sem be-, sem kikapcsolni, veszélyes és meg kell javíttatni.
- c) **Húzza ki a csatlakozó dugót a dugaszolóaljzatból és/vagy távolítsa el az akkumulátor-csomagot (ha az leválasztható) az elektromos kéziszerszámtól, mielőtt az elektromos kéziszerszámon beállítási munkákat végez, tartozékokat cserél vagy a szerszámot tárolásra elteszi.** Ez az elővigyázatosságú intézkedés meggátolja a szerszám akaratlan üzembe helyezését.
- d) **A használaton kívüli elektromos kéziszerszámokat olyan helyen tárolja, ahol azokhoz gyerekek ne férhess nek hozzá. Ne hagyja, hogy olyan személyek használják az elektromos kéziszerszámot, akik nem ismerik a szerszámot, vagy nem olvasták el ezt az útmutatót.** Az elektromos kéziszerszámok veszélyesek, ha azokat gyakorlatlan személyek használják.
- e) **Az elektromos kéziszerszámot és tartozékait gondosan tartsa karban.** Ellenőrizze, hogy a mozgó alkatrészek kifogástalanul működnek-e, nincsenek-e beszorulva, és nincsenek-e eltörve vagy megrongálódva olyan alkatrészek, amelyek hatással lehetnek az elektromos kéziszerszám működésére. **A megrongálódott részeket a készülék használata előtt javíttassa meg.** Sok olyan baleset történik, amelyet az elektromos kéziszerszám nem kielégítő karbantartására lehet visszavezetni.
- f) **Tartsa tisztán és éles állapotban a vágószerszámokat.** Az éles vágóélekkel rendelkező és gondosan ápolott vágószerszámok ritkábban ékelődnek be és azokat könnyebben lehet vezetni és irányítani.
- g) **Az elektromos kéziszerszámokat, tartozékokat, betétszerszámokat stb. csak ezen előírásoknak használja.** Vegye figyelembe a munkafeltételeket és a kivitelezendő munka sajátosságait. Az elektromos kéziszerszám eredeti rendeltetésétől eltérő célokra való alkalmazása veszélyes helyzetekhez vezethet.
- h) **Tartsa szárazon, tisztán és olaj- és zsírmentes állapotban a fogantyúkat és markoló felületeket.** A csúsztós fogantyúk és markoló felületek váratlan helyzetekben lehetetlenné teszik az elektromos kéziszerszám biztonságos kezelését és irányítását.

5) SZERVIZ

- a) **Az elektromos kéziszerszámot csak szakképzett személyzet és csak eredeti pótalkatrészek felhasználásával javíthatja.** Ez biztosítja, hogy az elektromos kéziszerszám biztonságos szerszám maradjon.

BIZTONSÁGI ELŐÍRÁSOK POLÍROZÓKHOZ

1) KÖZÖS FIGYELMEZTETŐ TÁJÉKOZTATÓ A POLÍROZÁSHOZ

- a) **Ez az elektromos szerszám polírozóként történő használatra készült. Ügyeljen minden figyelmeztető jelzésre, előírásra, ábrára és adatra, amelyet az elektromos kéziszerszámmal együtt megkapott. Ha**

nem tartja be a következő előírásokat, akkor ez áramütéshez, tűzhöz és/vagy súlyos személyi sérülésekhez vezethet.

- b) **A szerszámot nem javasoljuk kőszőrülésre, csiszolásra, drótkorongozásra és vágási műveletekre.** A szerszám nem tervezett módon történő használata veszélyes lehet, személyi sérüléssel járhat.
- c) **Ne tegye lehetővé, hogy a polírozóburán laza részek, mindenekelőtt rögzítő zsinórok legyenek. Megfelelően rögzítse, vagy rövidítse le a rögzítő zsinórokat.** A géppel együtt forgó laza rögzítő zsinórok bekapathatják a kezelő ujjait, vagy beakadhatnak a munkadarabba.
- d) **Ne használjon olyan tartozékokat, amelyeket a gyártó ehhez az elektromos kéziszerszámhoz nem irányított elő és nem javasolt.** Az a tény, hogy a tartozékot rögzíteni tudja az elektromos kéziszerszámbra, nem garantálja annak biztonságos alkalmazását.
- e) **A betétszerszám megengedett fordulatszámának legalább akkorának kell lennie, mint az elektromos kéziszerszámon megadott legnagyobb fordulatszám.** A megengedettnél gyorsabban forgó tartozékok széttörhetnek.
- f) **A betétszerszám külső átmérőjének és vastagságának meg kell felelnie az Ön elektromos kéziszerszámán megadott méreteknél.** A hibásan méretezett betétszerszámokat nem lehet megfelelően eltakarni, vagy irányítani.
- g) **A menetes betéttel ellátott betétszerszám menetének meg kell felelnie az orsó menetének. A karima segítségével befogásra kerülő betétszerszámok esetén a betétszerszám furatátmérőjének pontosan meg kell felelnie a karima befogási átmérőjének.** Az olyan betétszerszámok, amelyek nem kerülnek pontosan rögzítésre az elektromos kéziszerszámhoz, egyenletlenül forognak, erősen berezegnek és a készülék feletti uralom megszűnéséhez vezethetnek.
- h) **Ne használjon megrongálódott betétszerszámokat. Vizsgálja meg minden egyes használat előtt a betétszerszámokat: ellenőrizze, nem pattogzott-e le és nem repedt-e meg a csiszolókorong, nincse eltörve, megrepedve, vagy nagy mértékben elhasználódva a csiszoló tányér, nincsenek-e a drótkéfében kilazult, vagy eltörött drótok. Ha az elektromos kéziszerszám vagy a betétszerszám leesik, vizsgálja felül, nem rongálódott-e meg, vagy használjon egy hibátlan betétszerszámot. Miután ellenőrizte, majd behelyezte a készülékbe a betétszerszámot, tartózkodjon Ön sajátmaga és minden más a közelben található személy is a forgó betétszerszám síkján kívül és járassa egy percig az elektromos kéziszerszámot a legnagyobb fordulatszámmal. A megrongálódott betétszerszámok ezalatt a próbaidő alatt általában már széttörnek.**
- i) **Viseljen személyi védőfelszerelést. Használjon az alkalmazásnak megfelelő teljes védőálarcot, szemvédőt vagy védőszemüveget. Amennyiben célszerű, viseljen porvédő álarcot, zajtompító fülvédőt, viseljen kesztyűt vagy különleges kötényt, amely távol tartja a csiszolószerszám- és anyagrészcskéket. Mindenképpen védje meg a**

szemét a kirepülő idegen anyagoktól, amelyek a különböző alkalmazások során keletkeznek. A porvagy védőárlarncnak meg kell szűrnie a használat során keletkező port. Ha hosszú ideig ki van téve az erős zaj hatásának, elvesztheti a hallását.

- j) **Ügyeljen arra, hogy a többi személy biztonságos távolságban maradjon az Ön munkaterületétől. Minden olyan személynek, aki belép a munkaterületre, személyi védőfelszerelést kell viselnie.** A munkadarab letört részei vagy a széttört betétszerszámok kirepülhetnek és a közvetlen munkaterületen kívül is személyi sérülést okozhatnak.
- k) **Az elektromos kéziszerszámot csak a szigetelt fogantyúfelületeknél fogva tartsa, ha olyan munkát végez, amelynek során a betétszerszám feszültség alatt áll, kívülről nem látható vezetékekhez, vagy a készülék saját hálózati csatlakozó kábeljéhez érhet.** Ha a berendezés egy feszültség alatt álló vezetékhez ér, az elektromos kéziszerszám fémrészei szintén feszültség alá kerülhetnek és áramütéshez vezethetnek.
- l) **Tartsa távol a hálózati csatlakozó kábelt a forgó betétszerszámoktól.** Ha elveszíti az uralmát az elektromos kéziszerszám felett, az átvághatja, vagy bekaphatja a hálózati csatlakozó kábelt és az Ön keze vagy karja is a forgó betétszerszámhoz érhet.
- m) **Sohase tegye le az elektromos kéziszerszámot, mielőtt a betétszerszám teljesen leállna.** A forgásban lévő betétszerszám megérintheti a támasztó felületet, és Ön ennek következtében könnyen elvesztheti az uralmát az elektromos kéziszerszám felett.
- n) **Ne járassa az elektromos kéziszerszámot, miközben azt a kezében tartja.** A forgó betétszerszám egy véletlen érintkezés során bekaphatja a ruháját és a betétszerszám belefűródhat a testébe.
- o) **Tisztítsa meg rendszeresen az elektromos kéziszerszám szellőzőnyílásait.** A motor ventilátorra beszívja a port a házba, és nagyobb mennyiségű fémpor felhalmozódása elektromos veszélyekhez vezethet.
- p) **Ne használja az elektromos kéziszerszámot éghető anyagok közelében.** A szikrák ezeket az anyagokat meggyújthatják.
- q) **Ne használjon olyan betétszerszámokat, amelyek alkalmazásához folyékony hűtőanyagra van szükség.** Víz és egyéb folyékony hűtőanyagok alkalmazása áramütéshez vezethet.

2) VISSZARÚGÁS ÉS MEGFELELŐ FIGYELMEZTETŐ TÁJÉKOZTATÓK

- A visszarúgás a beékelődő vagy leblokkoló forgó betétszerszám, például csiszolókorong, csiszoló tányér, drótkéfe stb. hirtelen reakciója. A beékelődés vagy leblokkolás a forgó betétszerszám hirtelen leállításához vezet. Ez az irányítatlan elektromos kéziszerszámot a betétszerszámnak a leblokkolási ponton fennálló forgási irányával szembeni irányban felgyorsítja.
- Ha például egy csiszolókorong beékelődik, vagy leblokkol a megmunkálásra kerülő munkadarabban, a csiszolókorongnak a munkadarabba bemerülő éle leáll és így a csiszolókorong kiugorhat vagy egy visszarúgást okozhat. A csiszolókorong ekkor a korongnak a leblokkolási pontban fennálló forgásirányától függően a kezelő személy felé, vagy attól távolodva mozog. A csiszolókorongok ilyenkor el is törhetnek.

- Egy visszarúgás az elektromos kéziszerszám hibás vagy helytelen használatának következménye. Ezt az alábbiakban leírásra kerülő megfelelő óvatossági intézkedésekkel meg lehet gátolni.

- a) **Tartsa szorosan fogva az elektromos kéziszerszámot, és hozza a testét és a karjait olyan helyzetbe, amelyben fel tudja venni a visszaütő erőket. Használja mindig a pótfogantyút, amennyiben létezik, hogy a lehető legjobban tudjon uralkodni a visszarúgási erők, illetve felütéskor a reakciós nyomaték felett.** A kezelő személy megfelelő óvatossági intézkedésekkel uralkodni tud a visszarúgási és reakcióerők felett.
- b) **Sohase vigye a kezét a forgó betétszerszám közelébe.** A betétszerszám egy visszarúgás esetén a kezéhez érhet.
- c) **Kerülje el a testével azt a tartományt, ahová egy visszarúgás az elektromos kéziszerszámot mozgatja.** A visszarúgás az elektromos kéziszerszámot a csiszolókorongnak a leblokkolási pontban fennálló forgásirányával ellentétes irányba hajtja.
- d) **A sarkok és élek közelében különösen óvatosan dolgozzon, akadályozza meg, hogy a betétszerszám lepattanjon a munkadarabról, vagy beékelődjön a munkadarabba.** A forgó betétszerszám a sarkoknál, éléknél és lepattanás esetén könnyen beékelődik. Ez a készülék feletti uralom elvesztéséhez, vagy egy visszarúgáshoz vezet.
- e) **Ne használjon fűrészlapot, vagy fogazott fűrészlapot.** Az ilyen betétszerszámok gyakran visszarúgáshoz vezetnek, vagy a kezelő elvesztheti az uralmát az elektromos kéziszerszám felett.

KIEGÉSZÍTŐ BIZTONSÁGI ELŐÍRÁSOK

ÁLTALÁNOS TUDNIVALÓK

- Ezt a szerszámot kizárólag száraz polírozásra használja
- Csak a szerszámmal együtt szállított gyűrűket használja
- A készüléket csak 16 éven felüli személyek használják
- **Mindig húzza ki a dugaszolóaljzatot mielőtt tartozékot cserélné vagy bármit változtatna a gép beállításán**
- **Ne munkáljon meg a berendezéssel azbeszttel tartalmazó anyagokat** (az azbeszttnek rákkeltő hatása van)

TARTOZÉKOK

- A SKIL cég kizárólag eredeti alkatrészek és kiegészítők alkalmazása esetén tudja garantálni a gép problémamentes működését, melyek a SKIL-márkakereskedőknél kaphatók
 - Ha nem SKIL-tartozékokat szerel fel/használ, az adott gyártó előírásait tartsa be
 - Csak olyan tartozékot használjon, amelyek legmagasabb megengedett fordulatszáma legalább akkora, mint a berendezés legmagasabb üresjárati fordulatszáma
 - Tilos olyan tartozékot használni, melynek zárt menetes lyukmérete kisebb mint M14 x 21 mm
 - Ne használjon károsodott, deformálódott vagy rezgő tartozékokat
 - A tartozékokat óvatosan kezelje és tárolja
- ### KÜLTÉRI HASZNÁLAT
- Amennyiben szabadban használja a szerszámot (FI), 30 mA indítóáramú hibaáram megszakítón keresztül

csatlakozzon a hálózathoz, és csak olyan hosszabbító vezetékét használjon, mely szabadtéri használatra készült, és freccsenő víz ellen védett csatlakozóaljzata va

HASZNÁLAT ELŐTT

- Mindig ellenőrizze, hogy a hálózati feszültség megegyezik-e a szerszám adattábláján feltüntetett értékkel
- Mindig szerelje fel az A ② vagy B ② oldalfogantyút; ne használja nélküle a szerszámot
- Az anyagból származó por (mint például az ólomot, néhány fafajtát, ásványi anyagokat és fémeket tartalmazó festék) káros lehet (a por érintése vagy belégzése allergiás reakciókat és/vagy légzőszervi betegségeket okozhat a kezelő, illetve a közelben állók esetében); **viseljen pormaszkot és amennyiben csatlakoztatható, dolgozzon porelszívó berendezéssel**
- Bizonyos porfajták rákkeltő besorolással rendelkeznek (ilyen például az tölgly- és a bükkfa pora), különösen a fa kondicionálására szolgáló adalékokkal együtt; **viseljen pormaszkot és amennyiben csatlakoztatható, dolgozzon porelszívó berendezéssel**
- Kövesse a por kezelésével kapcsolatos helyi előírásokat azon termékkel kapcsolatosan, amellyel dolgozni kíván
- **Rögzítse a munkadarabot** (befogókészülékkel vagy satuval befogott munkadarabot sokkal biztonságosabban lehet rögzíteni mint a kézzel tartottat)
- A gépet tilos satuba fogni
- Használjon teljesen letekerés és biztonságos hosszabbítókábel, 16 A-es teljesítménnyel

HASZNÁLAT KÖZBEN

- Tartsa mindig két kézzel, erősen a gépet, s válasszon stabil és biztonságos
- A gép mozgó részétől mindig tartsa távol az elektromos kábelt; terelje a tápkábelt a gép hátulja felé, a géptől elfelé
- Ha a kábel munka közben megsérül vagy el van vága, ne érjen a kábelhoz, hanem azonnal húzza ki a konektorból
- Soha ne használja a szerszámot ha a kábel sérült; cseréltesse ki szakértő által
- Normálístól eltérő működés valamint szokatlan, idegen hangok esetén a készüléket azonnal kapcsolja ki és a kábelt húzza ki a fali dugaszoló aljzatból
- Ha áramszünet következik be, vagy ha a dugós csatlakozót véletlenül kihúzza, a gép akaratlan újraindításának megelőzésére azonnal oldja fel a kapcsoló H ② engedje ki

A HASZNÁLATOT KÖVETŐEN

- Mielőtt leteszi a gépet, kapcsolja ki a motort és bizonyosodjon meg arról, hogy minden mozgó alkatrész teljesen megállt
- Miután kikapcsolta a gépet, a tartozék forgását sose annak síkjára merőleges erővel állítsa meg

A SZERSZÁMON TALÁLHATÓ SZIMBÓLUMOK MAGYARÁZATA

- ③ Használat előtt olvassa el a használati utasítást
- ④ Viseljen védőszemüveget és zaj elleni fülvédőt
- ⑤ Kettős szigetelés (földelővezeték nem szükséges)
- ⑥ A gépet ne dobja a háztartási szemétké

KEZELÉS

- Az oldalfogantyúk felszerelése ⑦
 - ! **húzzuk ki a kábel dugóját a csatlakozó aljzatból**
 - csavarozza az A jelű oldalfogantyút a gép jobb vagy bal oldalára (az elvégzendő munkától függően)
 - csavarozza fel a B jelű fogantyút az ábra szerint, majd húzza meg mindkét mellékelt csavart a C imbuszkulccsal
- Tartozékok felszerelése ②
 - ! **húzzuk ki a kábel dugóját a csatlakozó aljzatból**
 - tisztítsa meg az D jelű tengelyt és az összes felszerelendő alkatrészt
 - csavarozza fel a tépózárás csiszolóanyagért E a tengelyre D miközben benyomja a tengelyt reteszelő gombot F
 - ! **csak akkor nyomja meg a F jelű, elfordulás elleni gombot, amikor az D jelű tengely mozdulatlanul áll**
 - egyszerűen nyomja rá a gyapjú sapkát G a tépózárás csiszolóanyagára E
 - tartozékok levételéhez fordított sorrendben ismételje meg az előző lépéseket
- Mielőtt üzembe helyezné a gépet
 - ellenőrizze, hogy a tartozék helyesen legyen felszerelve, valamint a csavarokkal megfelelően rögzítve legyenek
 - kézzel ellenőrizze, hogy a vágótárcsa szabadon mozogjon
 - egy próba bekapcsolást végezzen el úgy, hogy a gép legalább 60 másodpercig a legmagasabb fordulatszámra terhelés nélkül üzemeljen biztonságos körülmények között
 - erős vibrálásnál vagy más hibák észlelésekor gépet rögtön kapcsolja ki és ellenőrizze a gép előírásnak megfelelően került üzemeltetésre
- Be/Ki
 - a gépet az H ② kapcsoló lenyomásával bekapcsoljuk és felengedésével kikapcsoljuk
- Elektronikus késleltető
 - A késleltető a max. fordulatszámot biztosítja, hogy a gép bekapcsolásakor ne rántsion nagyot
- Kapcsolórögzítő folyamatos használat esetére
 - nyomjuk be az H kapcsolót
 - nyomjuk be a J gombot
 - a rögzítés kioldása az H kapcsoló újbóli lenyomásával történik
- Sebességszabályozása ⑧
 - a K kerék segítségével állítható be fokozatmentesen a legnagyobb fordulatszám, az alacsonytól a magasig (1-MAX)
 - kezdje a munkát az K kerék 1-es pozícióban (alacsonyabb fordulatszámra)
 - szükség esetén válasszon menet közben magasabb fordulatszámot
 - az optimális sebesség az anyagtól függ, és próbálkozásokkal határozható meg
- A gép üzemeltetése
 - kapcsolja be a gépet
 - illesse a szerszámot teljes felületével a fényszerítési kívánt felületre, és mozgassa szakaszonként egyenletesen

- az egyik menet legyen félig átfedésben a következő menettel
- ne tartsa egyhelyben a szerszámot, mert megéghet a felület
- a szerszámot ne körkörösön mozgassa, mert a felület foltos lehet, vagy megéghet
- ! **kikapcsolás előtt készülékét távolítsa el a munkadarabtól**
- ! **a gép kikapcsolása után a tárcsa egy pár másodpercig tovább forog**
- A gép vezetése és tartása ④
 - ! **munka közben mindvégig tartsa gépet a szürke színű markolati terület(ek)en**
 - a gépet mindig mindkét kézzel erősen fogva tartsa, hogy így mindenkor teljesen ellenőrzése alatt legyen a gép
 - gondoskodjon szilárd támaszról
 - ! **soha ne fejtse ki akkora nyomást a gépre, hogy az megálljon**
 - a szellőzőnyílásokat L ② mindig tartsa szabadon

KARBANTARTÁS / SZERVIZ

- A szerszámot védje az ütődésektől és a kenőanyagoktól
- Mindig tartsa tisztán a gépet és a vezetéket (különös tekintettel a szellőzőnyílásokra L ②)
 - ! **tisztítás előtt húzza ki a csatlakozódugót**
 - ! **tisztításnál a levegőnyílásokra ne használjon hegyes tárgyakat**
- Ha a gép a gondos gyártási és ellenőrzési eljárás ellenére egyszer mégis meghibásodna, akkor a javítással csak SKIL elektromos kéziszerszám-műhely ügyfélszolgálatát szabad megbízni
 - küldje az **összeszerelt** gépet a vásárlást bizonyító számlával együtt a kereskedő vagy a legközelebbi SKIL szervizállomás címére (a címlista és a gép szervizdiagramja a www.skil.com címen található)

KÖRNYEZET

- **Az elektromos kéziszerszámokat, tartozékokat és csomagolást ne dobja a háztartási szemétkébe** (csak EU-országok számára)
 - a használt villamos és elektronikai készülékekről szóló 2012/19/EK irányelv és annak a nemzeti jogba való átültetése szerint az elhasznált elektromos kéziszerszámokat külön kell gyűjteni, és környezetbarát módon újra kell hasznosítani
 - erre emlékeztet a ⑥ jelzés, amennyiben felmerül az intézkedésre való igény

ZAJ / REZGÉS

- Az EN 60745 alapján végzett mérések szerint ezen készülék hangnyomás szintje 86 dB(A) a hangteljesítmény szintje 97 dB(A) (normál eltérés: 3 dB), a rezgésszám 8,5 m/s² (a három irány vektorösszege; szórás K = 1,5 m/s²)
- A rezgés-kibocsátási szint mérése az EN 60745 szabványban meghatározott szabványosított teszttel összehangban történik; ez egy eszköznek egy másik eszközzel történő összehasonlítására, illetve a rezgésnek való kitettség előzetes felmérésére

használható fel az eszköznek az említett alkalmazásokra történő felhasználása során

- az eszköznek eltérő alkalmazásokra, vagy eltérő, illetve rosszul karbantartott tartozékokkal történő felhasználása jelentősen **emelheti** a kitettség szintjét
- az idő, amikor az eszköz ki van kapcsolva, vagy amikor ugyan működik, de ténylegesen nem végez munkát, jelentősen **csökkentheti** a kitettség szintjét
- ! **az eszköz és tartozékai karbantartásával, kezének melegen tartásával, és munkavégzésének megszervezésével védje meg magát a rezgések hatásaitól**

CZ

Leštička

9955

ÚVOD

- Tento nástroj je určen k leštění kovových, plastových, potažených a kamenných povrchů bez použití vody
- Tento návod s pokyny si pečlivě přečtěte a uschovejte ③

TECHNICKÁ DATA ①

SOUČÁSTI NÁSTROJE ②

- A Pomocná rukojeť
- B Pomocná rukojeť (typ D)
- C Šestihranný klíč
- D Vřeteno
- E Unašeč (VELCRO)
- F Tlačítko k zajištění vřetena
- G Vlněný návlak
- H Spinač "zapnuto/vypnuto"
- J Knořilík pro zajištění hlavního spínače "zapnuto/vypnuto"
- K Kolečko na kontrola maximální rychlosti
- L Větrací šterbiny

BEZPEČNOST

OBECNÉ BEZPEČNOSTNÍ POKYNY PRO ELEKTRONÁŘADÍ

VAROVÁNÍ Přečtěte si všechny bezpečnostní pokyny, výstrahy, zobrazení a specifikace k tomuto elektronářadí. Nedodržování všech níže uvedených pokynů může mít za následek úraz elektrickým proudem, požár a/nebo těžké poranění. **Všechny pokyny a výstrahy uchovejte pro budoucí potřebu.** Ve varovných upozorněních použitý pojem "elektronářadí" se vztahuje na elektronářadí provozované na el. síti (se síťovým kabelem) a na elektronářadí provozované na akumulátoru (bez síťového kabelu).

1) BEZPEČNOST PRACOVNÍHO MÍSTA

- Udržujte Vaše pracovní místo čisté a uklizené.** Nepořádek nebo neosvětlené pracovní oblasti mohou vést k úrazům.
- Se strojem nepracujte v prostředích ohrožených explozí, kde se nacházejí hořlavé kapaliny, plyny**

- nebo prach. Elektronářadí vytváří jiskry, které mohou prach nebo páry zapálit.
- c) **Děti a jiné osoby udržujte při použití elektronářadí daleko od Vašeho pracovního místa.** Při rozptýlení můžete ztratit kontrolu nad strojem.
- 2) ELEKTRICKÁ BEZPEČNOST**
- a) **Připojovací zástrčka stroje musí lícovat se zásuvkou. Zástrčka nesmí být žádným způsobem upravena. Společně se stroji s ochranným uzemněním nepoužívejte žádné adaptérové zástrčky.** Neupravené zástrčky a vhodné zásuvky snižují riziko elektrického úderu.
- b) **Zabraňte kontaktu těla s uzemněnými povrchy, jako např. potrubí, topení, sporáky a chladničky.** Je-li Vaše tělo uzemněno, existuje zvýšené riziko elektrického úderu.
- c) **Chraňte stroj před deštěm a vlhkem.** Vniknutí vody do elektrického stroje zvyšuje nebezpečí elektrického úderu.
- d) **Dbejte na účel kabelu, nepoužívejte jej k nošení či zavěšení stroje nebo vytažení zástrčky ze zásuvky. Udržujte kabel daleko od tepla, oleje, ostrých hran nebo pohyblivých dílů stroje.** Poškozené nebo spletené kabely zvyšují riziko elektrického úderu.
- e) **Pokud pracujete s elektronářadím venku, použijte pouze takové prodlužovací kabely, které jsou schváleny i pro venkovní použití.** Použití prodlužovacího kabelu, jež je vhodný pro použití venku, snižuje riziko elektrického úderu.
- f) **Pokud se nelze vyhnout provozu elektronářadí ve vlhkém prostředí, použijte ochranný jistič.** Nasazení ochranného jističe snižuje riziko úderu elektrickým proudem.
- 3) BEZPEČNOST OSOB**
- a) **Buďte pozorní, dávejte pozor na to, co děláte a přistupujte k práci s elektronářadím rozumně. Stroj nepoužívejte pokud jste unaveni nebo pod vlivem drog, alkoholu nebo léků.** Moment nepozornosti při použití elektronářadí může vést k vážným poraněním.
- b) **Noste osobní ochranné pomůcky a vždy ochranné brýle.** Nošení osobních ochranných pomůcek jako maska proti prachu, bezpečnostní obuv s protiskluzovou podrážkou, ochranná přilba nebo sluchátka, podle druhu nasazení elektronářadí, snižují riziko poranění.
- c) **Zabraňte neúmyslnému uvedení do provozu. Přesvědčte se, že je elektronářadí vypnuté dříve než jej uchopíte, poneseťe či připojíte na zdroj proudu a/ nebo akumulátor.** Máte-li při nošení elektronářadí prst na spínači nebo pokud stroj připojíte ke zdroji proudu zapnutý, pak to může vést k úrazům.
- d) **Než stroj zapnete, odstraňte seřizovací nástroje nebo šroubovák.** Nástroj nebo klíč, který se nachází v otáčivém dílu stroje, může vést k poranění.
- e) **Nepřeceňujte se. Zjistěte si bezpečný postoj a vždy udržujte rovnováhu.** Tím můžete stroj v neočekávaných situacích lépe kontrolovat.
- f) **Noste vhodný oděv. Nenoste žádný volný oděv nebo šperky. Vlasý a oděv udržujte daleko od pohybujících se dílů.** Volný oděv, šperky nebo dlouhé vlasý mohou být zachyceny pohybujícími se díly.
- g) **Lze-li namontovat odsávací či zachycující přípravky, přesvědčte se, že jsou připojeny a správně použity.** Použití odsávání prachu může snížit ohrožení prachem.

- h) **Dbejte na to, abyste při častém používání nářadí nebyli méně ostražití a nezapomínali na bezpečnostní zásady.** Nedbalé ovládání může způsobit těžké poranění za zlomek sekundy.
- 4) SVĚDOMITÉ ZACHÁZENÍ A POUŽÍVÁNÍ ELEKTRONÁŘADÍ**
- a) **Stroj nepřetěžujte. Pro svou práci použijte k tomu určený stroj.** S vhodným elektronářadím budete pracovat v dané oblasti výkonu lépe a bezpečněji.
- b) **Nepoužívejte žádné elektronářadí, jehož spínač je vadný.** Elektronářadí, které nelze zapnout či vypnout je nebezpečné a musí se opravit.
- c) **Než provedete seřízení stroje, výměnu dílů příslušenství nebo stroj odložíte, vytáhněte zástrčku ze zásuvky a/ nebo odstraňte odpojitelný akumulátor.** Toto preventivní opatření zabrání neúmyslnému zapnutí stroje.
- d) **Uchovávejte nepoužívané elektronářadí mimo dosah dětí. Nenechte stroj používat osobám, které se strojem nejsou seznámeny nebo nečetly tyto pokyny.** Elektronářadí je nebezpečné, je-li používáno nezkušenými osobami.
- e) **Pečujte o elektronářadí a příslušenství svědomitě. Zkontrolujte, zda pohyblivé díly stroje bezvadně fungují a nevzpříčují se, zda díly nejsou zlomené nebo poškozené tak, že je omezena funkce stroje. Poškozené díly nechte před nasazením stroje opravit.** Mnoho úrazů má příčinu ve špatně udržovaném elektronářadí.
- f) **Řezné nástroje udržujte ostré a čisté.** Pečlivě ošetřované řezné nástroje s ostrými řeznými hranami se méně vzpříčují a dají se lehčeji vést.
- g) **Používejte elektronářadí, příslušenství, nasazovací nástroje apod. podle těchto pokynů. Respektujte přítom pracovní podmínky a prováděnou činnost.** Použití elektronářadí pro jiné než určující použití může vést k nebezpečným situacím.
- h) **Udržujte rukojeti a úchytné plochy suché, čisté a bez oleje a maziva.** Kluzké rukojeti a úchytné plochy neumožňují bezpečnou manipulaci a ovládání v neočekávaných situacích.
- 5) SERVIS**
- a) **Nechte Váš stroj opravit pouze kvalifikovaným odborným personálem a pouze s originálními náhradními díly.** Tím bude zajištěno, že bezpečnost stroje zůstane zachována.

BEZPEČNOSTNÍ POKYNY PRO LEŠTÍČKY

- 1) SPOLEČNÁ VAROVNÁ UPOZORNĚNÍ K LEŠTĚNÍ**
- a) **Toto elektronářadí se používá jako leštička. Dbejte všech varovných upozornění, pokynů, zobrazení a údajů, jež jste s elektronářadím obdrželi.** Pokud následující pokyny nedodržíte, může to vést k úderu elektrickým proudem, požáru nebo těžkým poraněním.
- b) **Nedoporučujeme používat toto elektronářadí k broušení, kartáčování ani řezání.** Činnosti, k jejichž provádění nebylo toto elektronářadí určeno, mohou způsobit nebezpečné situace a zranění osob.
- c) **Nepřipustěte žádné uvolněné části na leštícím potahu, zvláště upevňovací provázek. Upevňovací provázky dobře urovnejte nebo zkraťte.** Volné, spolu

- se otáčející upevňovací provázky mohou zachytit Vaše prsty nebo se zamotat do obrobku.
- d) **Nepoužívejte žádné příslušenství, které není výrobem pro toto elektronářadí speciálně určeno a doporučeno.** Pouze to, že můžete příslušenství na Vaše elektronářadí upevnit, nezaručuje bezpečné použití.
- e) **Dovolené otáčky nasazovacího nástroje musí být nejméně tak vysoké jako nejvyšší otáčky uvedené na elektronářadí.** Příslušenství, jež se otáčí rychleji než je dovoleno, může být zničeno.
- f) **Vnější rozměr a tloušťka nasazovacího nástroje musí odpovídat rozměrovým údajům Vašeho elektronářadí.** Špatně dimenzované nasazovací nástroje nemohou být dostatečně stíněny nebo kontrolovány.
- g) **Nasazovací nástroje se závitovou vložkou musejí přesně lícovat na závit brusného vřetene. U nasazovacích nástrojů, jež jsou montovány prostřednictvím příruby, musí průměr otvoru nasazovacího nástroje lícovat na upínací průměr příruby.** Nasazovací nástroje, které nejsou na elektronářadí upevněné přesně, se nerovnoměrně otáčejí, velmi silně vibrují a mohou vést ke ztrátě kontroly.
- h) **Nepoužívejte žádné poškozené nasazovací nástroje. Zkontrolujte před každým použitím nasazovací nástroje jako brusné kotouče na odštěpky a trhliny, brusné talíře na trhliny, otěr nebo silné opotřebení, drátěné kartáče na uvolněné nebo zlomené dráty. Spadne-li elektronářadí nebo nasazovací nástroj z výšky, zkontrolujte zda není poškozený nebo použijte nepoškozený nasazovací nástroj. Pokud jste nasazovací nástroj zkontrolovali a nasadili, držte se Vy a v blízkosti nacházející se osoby mimo rovinu rotujícího nasazovacího nástroje a nechte elektronářadí běžet jednu minutu s nejvyššími otáčkami.** Poškozené nasazovací nástroje většinou v této době testování prasknou.
- i) **Noste osobní ochranné vybavení. Podle aplikace použijte ochranu celého obličeje, ochranu očí nebo ochranné brýle. Taktéž adekvátně noste ochrannou masku proti prachu, ochranu sluchu, ochranné rukavice nebo speciální zástěru, jež Vás ochrání před malými částicemi brusiva a materiálu.** Oči mají být chráněny před odletujícími cizími tělisky, jež vznikají při různých nasazeních. Protiprachová maska či respirátor musejí při nasazení vznikatý prach odfiltrovat. Pokud jste dlouho vystaveni silnému hluku, můžete utrpět ztrátu sluchu.
- j) **Dbejte u ostatních osob na bezpečnou vzdálenost k Vaší pracovní oblasti. Každý, kdo vstoupí do této pracovní oblasti, musí nosit osobní ochranné vybavení.** Úlomky obrobku nebo zlomené nasazovací nástroje mohou odlétnout a způsobit poranění i mimo přímou pracovní oblast.
- k) **Pokud provádíte práce, při kterých může nasazovací nástroj zasáhnout skrytá elektrická vedení nebo vlastní síťový kabel, pak držte elektronářadí na izolovaných plochách rukojeti.** Kontakt s vedením pod napětím může přivést napětí i na kovové díly elektronářadí a vést k úderu elektrickým proudem.
- l) **Držte síťový kabel daleko od otáčejících se nasazovacích nástrojů.** Když ztratíte kontrolu nad elektronářadím, může být přerušen nebo zachycen síťový kabel a Vaše paže nebo ruka se může dostat do otáčejícího se nasazovacího nástroje.
- m) **Nikdy neodkládejte elektronářadí dřívě, než se nasazovací nástroj dostal zcela do stavu klidu.** Otáčející se nasazovací nástroj se může dostat do kontaktu s odkládací plochou, čímž můžete ztratit kontrolu nad elektronářadím.
- n) **Nenechte elektronářadí běžet po dobu, co je nesete.** Váš oděv může být náhodným kontaktem s otáčejícím se nasazovacím nástrojem zachycen a nasazovací nástroj se může zavrtat do Vašeho těla.
- o) **Čistěte pravidelně větrací otvory Vašeho elektronářadí.** Ventilátor motoru vtahuje do tělesa prach a silné nahromadění kovového prachu může způsobit elektrická rizika.
- p) **Nepoužívejte elektronářadí v blízkosti hořlavých materiálů.** Jiskry mohou tyto materiály zapálit.
- q) **Nepoužívejte žádné nasazovací nástroje, které vyžadují kapalně chladicí prostředky.** Použití vody nebo jiných kapalných chladicích prostředků může vést k úderu elektrickým proudem.
- ## 2) ZPĚTNÝ RÁZ A ODPOVÍDAJÍCÍ VAROVNÁ UPOZORNĚNÍ
- Zpětný ráz je náhlá reakce v důsledku zaseknutého nebo zablokovaného otáčejícího se nasazovacího nástroje, jako je brusný kotouč, brusný talíř, drátěný kartáč atd. Zaseknutí nebo zablokování vede k náhlému zastavení rotujícího nasazovacího nástroje. Tím nekontrolované elektronářadí akceleruje v místě zablokování proti směru otáčení nasazovacího nástroje.
 - Pokud se např. přičí nebo blokuje brusný kotouč v obrobku, může se hrana brusného kotouče, která se zanořuje do obrobku, zakousnout a tím brusný kotouč vylomit nebo způsobit zpětný ráz. Brusný kotouč se potom pohybuje k nebo od obsluhující osoby, podle směru otáčení kotouče na místě zablokování. Při tom mohou brusné kotouče i prasknout.
 - Zpětný ráz je důsledkem nesprávného nebo chybného použití elektronářadí. Lze mu zabránit vhodnými preventivními opatřeními, jak je následně popsáno.
- a) **Držte elektronářadí dobře pevně a dejte Vaše tělo a paže do polohy, ve které můžete zachytit síly zpětného rázu. Je-li k dispozici, používejte vždy přidavnou rukojeť, abyste měli co největší možnost kontroly nad silami zpětného rázu nebo reakčních momentů při rozběhu.** Obsluhující osoba může vhodnými preventivními opatřeními zvládnout síly zpětného rázu a reakčního momentu.
- b) **Nedávejte Vaši ruku do blízkosti otáčejících se nasazovacích nástrojů.** Nasazovací nástroj se při zpětném rázu může pohybovat přes Vaši ruku.
- c) **Vyhýbejte se Vaším tělem oblastí, kam se bude elektronářadí při zpětném rázu pohybovat.** Zpětný ráz vhání elektronářadí v místě zablokování do opačného směru k pohybu brusného kotouče.
- d) **Zvlášť opatrně pracujte v místech rohů, ostrých hran apod. Zabraňte, aby se nasazovací nástroje odrazil od obrobku a vzpráči.** Rotující nasazovací nástroj je u rohů, ostrých hran a pokud se odrazil náhlněly na vzpráči se. Toto způsobí ztrátu kontroly nebo zpětný ráz.

- e) **Nepoužívejte žádný článkový nebo ozubený pilový kotouč.** Takovéto nasazovací nástroje způsobují často zpětný ráz nebo ztrátu kontroly nad elektronářadím.

DOPLŇKOVÁ BEZPEČNOSTNÍ UPOZORNĚNÍ

OBECE

- Používejte tento nástroj pouze k broušení za sucha
- Používejte pouze příruby dodané s tímto nástrojem
- Tento nástroj nesmí používat osoby mladší 16 let
- **Před seřizováním, měněním pilových listů a příslušenství, vždy vytáhněte zástrčku nářadí z el. sítě**
- **Nepracovávajte žádný materiál obsahující azbest** (azbest je karcinogenní)

PŘÍSLUŠENSTVÍ

- SKIL zajistí bezchybnou funkci nářadí pouze tehdy, používáte-li odpovídající příslušenství, které obdržíte u svého prodejce SKIL
- Při montáži nebo používání jiného příslušenství než značky SKIL se řište pokyny daného výrobce
- Používejte pouze příslušenství, jejichž dovolené otáčky jsou alespoň tak vysoké jako nejvyšší otáčky stroje naprázdno
- Nikdy nepoužívejte příslušenství se "slepým" závitovým otvorem menším než M14 x 21 mm
- Nepoužívejte poškozené, deformované ani vibrující příslušenství
- Manipulujte a skladujte příslušenství opatrně

VENKOVNÍ POUŽITÍ

- Při venkovním použití zapojte nástroj přes jistič poruchového proudu (FI) se spouštěcím proudem max. 30 mA, a používejte pouze takovou prodlužovací šňůru, která je určena pro venkovní použití a je vybavena spojovací zásuvkou chráněnou proti střikající vodě

PŘED POUŽITÍM

- Vždy zkontrolujte, zda je napájecí napětí stejné jako napětí uvedené na typovém štítku nástroje
- Vždy upevněte pomocnou rukojeť A ② nebo B ②; nikdy nástroj nepoužívejte bez ní
- Prach z látek, jako jsou barvy obsahující olovo, některé druhy dřeva, minerály a kovy, může být škodlivý (kontakt s prachem nebo jeho vdechnutí může způsobit alergickou reakci a/nebo vyvolat respirační choroby u obsluhy nebo přihlížejících); **noše protiprachovou masku a pracujte se zařízením na odsávání prachu, pokud je možné jej připojit**
- Některé druhy prachu jsou klasifikovány jako karcinogenní (například dubový a bukový prach) zejména ve spojení s přísadami pro úpravu dřeva; **noše protiprachovou masku a pracujte se zařízením na odsávání prachu, pokud je možné jej připojit**
- Dodržujte stanovená nařízení pro práci v prašném prostředí
- **Zajistěte obráběný díl** (obráběný díl uchycený pomocí upínacích zařízení nebo ve svěráku je mnohem bezpečnější než v ruce)
- Neupínejte nástroj do svěráku
- Používejte zcela rozvinuté a bezpečné prodlužovací šňůry o kapacitě 16 ampér

BĚHEM POUŽITÍ

- Při práci nástroj držte vždy oběma rukama a pevně se postavte

- Šňůru udržujte vždy mimo dosah pohyblivých částí nástroje; šňůru nasměrujte dozadu, pryč od nástroje
- Jestliže přivodní šňůru při práci podkódníte nebo proříznete, nedotýkejte se jí a okamžitě ji vytáhněte ze síťové zásuvky
- Pila se nesmí používat, je-li její přivodní šňůra poškozená; nechte si je kvalifikovaným pracovníkem vyměnit
- V případě atypického chování nebo cizích hluků ihned vypněte nářadí a vytáhněte zástrčku
- V případě přerušení proudu nebo při náhodném vytažení ze zásuvky ihned uvolněte spínač H ②, aby nedošlo k nekontrolovanému opětovnému spuštění

PO POUŽITÍ

- Než nástroj odložíte, vypněte motor a přesvědčte se, že se všechny pohyblivé části úplně zastavily
- Po vypnutí nástroje nikdy nezastavujte otáčení příslušenství tlakem ze strany

VYSVĚTLENÍ SYMBOLŮ NA NÁŘADÍ

③ Před použitím si přečtěte návod k použití

④ Noste ochranné brýle a ochranu sluchu

⑤ Dvojité izolace (není nutný zemnicí drát)

⑥ Nářadí nevyhazujte do komunálního odpadu

OBSLUHA

- Připevnění pomocných rukojetí ⑦
 - ! **rozpojte přivodní šňůru**
 - našroubujte pomocnou rukojeť A na pravou nebo levou stranu nástroje (podle práce, kterou budete provádět)
 - upevněte pomocnou rukojeť B tak, jak je znázorněno na obrázku, a utáhněte oba dodané šrouby pomocí šestihranného klíče C
- Připevnění příslušenství ②
 - ! **rozpojte přivodní šňůru**
 - vyčistěte vřeteno D a všechny části, které mají být připevněny
 - našroubujte VELCRO unašeč E na vřeteno D, zatímco tlačíte na blokovací tlačítko vřetene F
 - ! **zajišťovací tlačítko vřetena F stiskněte pouze tehdy, je-li vřeteno D v klidu**
 - jednoduše přitlačte vlněný kotouč G na VELCRO unašeč E
 - při odstraňování příslušenství postupujte obráceně
- Před použitím nářadí
 - ujistěte se, že kotouč je správně usazen a pevně utažen
 - překontrolujte, zda se kotouč volně neprotáčí
 - bezpečně vyzkoušejte chod nářadí spuštěním alespoň na 60 vteřin v nejvyšším výkonu bez zatížení
 - okamžitě nářadí vypněte v případě velké vibrace nebo jiné závady, překontrolujte nářadí k zamezení těchto závad
- Zapnuto/vypnuto
 - zapněte/vypněte nářadí stisknutím/uvolněním vypínače H ②
- Pozvolný rozběh
 - Vestavěná elektronika zajistí pozvolný rozběh brusky, bez velkého rázu po zapnutí
- Aretace spínače pro nepřetržitě použití
 - stiskem vypínače H
 - stiskněte knoflík J palcem
 - dalším stisknutím vypínače H se knoflík uvolní

- Kontrola rychlosti ⑧
 - pomocí ovladače K se reguluje plynule maximální rychlost od nízké až po vysokou (1-MAX)
 - zahajte práci s ovládacím kolečkem K v poloze 1 (nižší rychlost)
 - v případě potřeby zvolte vyšší rychlost, když je nástroj již spuštěn
 - optimální pracovní rychlost závisí na daném materiálu a můžete ji zjistit praktickými pokusy
- Použití nástroje
 - zapněte nářadí
 - položte nástroj zcela na leštěný povrch a pohybujte jím rovnoměrně po jednotlivých částech
 - jeden pohyb by měl překrývat předchozí pohyb o jednu polovinu
 - nezastavujte se na jednom místě, aby nedošlo ke spálení povrchu
 - nepohybujte nástrojem v kruzích, aby nedošlo k vytvoření skvrn nebo ke spálení povrchu
 - ! **před vypnutím nářadí nejprve odejměte od obrobku**
 - ! **po vypnutí nářadí kotouč pokračuje v otáčivém pohybu, vyčkejte proto do úplného zastavení kotouče**
- Držení a vedení nástroje ⑨
 - ! **při práci vždy držte nástroj v šedě zbarvené oblasti rukojeti**
 - nástroj držte vždy pevně oběma rukama, jen tak budete mít v každém okamžiku nad nástrojem plnou kontrolu
 - zaujměte bezpečný postoj
 - ! **nevývíjejte na nástroj takový tlak, při kterém by došlo k jeho zastavení**
 - udržujte větrací štěrby L ② nezakryté

ÚDRŽBA / SERVIS

- Chraňte nástroj před nárazy, otřesy a mastnotou
- Nástroj a přívodní šňůru udržujte čisté (zejména větrací štěrby L ②)
 - ! **před čištěním odpojte zástrčku**
 - ! **nepokoušejte se je čistit tak, že strčíte hroty předmětů mezi větrací štěrby**
- Pokud dojde i přes pečlivou výrobu a náročné kontroly k poruše nástroje, svěřte provedení opravy autorizovanému servisnímu středisku pro elektronářadí firmy SKIL
 - zašlete nástroj **nerozebraný** spolu s potvrzením o nákupu své prodejně nebo nejbližšímu servisu značky SKIL (adresy a servisní schéma nástroje najdete na www.skil.com)

ŽIVOTNÍ PROSTŘEDÍ

- **Elektrické nářadí, doplnky a balení nevyhazujte do komunálního odpadu** (jen pro státy EU)
 - podle evropské směrnice 2012/19/EG o nakládání s použitými elektrickými a elektronickými zařízeními a odpovídajících ustanovení právních předpisů jednotlivých zemí se použitá elektrická nářadí, musí sbírat odděleně od ostatního odpadu a podrobit ekologicky šetrnému recyklování
 - symbol ⑥ na to upozorňuje

HLUČNOSTI / VIBRACÍ

- Měřeno podle EN 60745 činí tlak hlukové vlny tohoto přístroje 86 dB(A) a dávká hlukčnosti 97 dB(A) (standardní odchylka: 3 dB), a vibrací 8,5 m/s² (vektorový součet tří os; nepřesnost K = 1,5 m/s²)
- Úroveň vibrací byla měřena v souladu se standardizovaným testem podle EN 60745; je možné ji použít ke srovnání jednoho přístroje s druhým a jako předběžné posouzení vystavování se vibracím při používání přístroje k uvedeným aplikacím
 - používání přístroje k jiným aplikacím nebo s jiným či špatně udržovaným příslušenstvím může zásadně zvýšit úroveň vystavení se vibracím
 - doba, kdy je přístroj vypnutý nebo kdy běží, ale ve skutečnosti není využíván, může zásadně snížit úroveň vystavení se vibracím
- ! **chráňte se před následky vibrací tak, že budete dbát na údržbu přístroje a příslušenství, budete si udržovat teplé ruce a uspořádáte si své pracovní postupy**

TR

Cila makinesi

9955

GİRİS

- Bu alet, metal, plastik ve kaplanmış yüzeyleri ve aynı zamanda taş malzemeleri su kullanmadan parlatmak için tasarlanmıştır
- Bu kullanma kılavuzunu okuyun ve saklayın ③

TEKNİK VERİLER ①

ALET BİLEŞENLERİ ②

- A Yedek tutamak
- B Yedek tutamak (tip D)
- C Altıgen anahtar
- D Mil
- E Zımpara tablası (VELCRO)
- F Mil kilitleme düğmesi
- G Yün başlık
- H Açma/kapama şalteri
- J Açma/kapama şalteri kilid düğmesi
- K Maksimum hızı ayar düğmesi
- L Havalandırma yuvaları

GÜVENLİK

GENEL ELEKTRİKLİ EL ALETİ GÜVENLİK UYARILARI

⚠ UYARI Bu elektrikli el aletiyle birlikte gelen tüm güvenlik uyarılarını, talimatları, resim ve açıklamaları okuyun. Aşağıda bulunan talimatlara uyulmaması elektrik çarpmalarına, yangınlara ve/veya ağır yaralanmalara neden olabilir. **Tüm uyarı ve talimatları ileride kullanmak üzere saklayın.** Uyarı ve talimat hükümlerinde kullanılan "elektrikli el alet" kavramı, akım şebekesine bağlı (şebeke bağlantı kablosu ile) aletlerle akü ile çalışan aletleri (akım şebekesine bağlantısı olmayan aletler) kapsamaktadır.

1) ÇALIŞMA YERİ GÜVENLİĞİ

- a) **Çalıştığınız yeri temiz ve düzenli tutun.** İşyerindeki düzensizlik veya yetersiz aydınlatma kazalara neden olabilir.
- b) **Yanıcı sıvıların, gazların veya tozların bulunduğunu patlama tehlikesi olan yer ve mekânlarda aletinizle çalışmayın.** Elektrikli el aletleri, toz veya buharların tutuşmasına veya yanmasına neden olan kıvılcımlar çıkarırlar.
- c) **Elektrikli el aletinizle çalışırken çocukları ve başkalarını çalışma alanınızın uzağında tutun.** Yakınızdaki bulunan kişiler dikkatinizi dağıtabilir ve bu da alet üzerindeki kontrolünüzü kaybetmenize neden olabilir.

2) ELEKTRİKSEL GÜVENLİK

- a) **Aletinizi bağlantı fişi prize uymalıdır. Fişi hiçbir şekilde değiştirmeyin. Koruyucu topraklamalı aletlerle adaptörlü fiş kullanmayın.** Değiştirilmemiş, orijinal fiş ve uygun prizler elektrik çarpması tehlikesini azaltır.
- b) **Borular, kalorifer tesisatı, ısıtıcılar ve buzdolapları gibi topraklanmış yüzeylerle bedensel temasa gelmekten kaçının.** Eğer bedeniniz topraklanacak olursa yüksek bir elektrik çarpması tehlikesi ortaya çıkar.
- c) **Aletinizi yağmur ve nemden koruyun.** Elektrikli el aletinin içine suyun sızması elektrik çarpması tehlikesini yükseltir.
- d) **Kabloyu kendi amacı dışında kullanmayın; örneğin aleti kablodan tutarak taşımayın, aleti kablo ile asmayın veya kablodan çekerek fişi prizden çıkarmayın.** Kabloyu aşırı sıcaktan, yağlardan, keskin kenarlı cisimlerden veya aletin hareketli parçalarından uzak tutun. Hasarlı veya dolaşmış kablo elektrik çarpması tehlikesini yükseltir.
- e) **Elektrikli el aletinizle açık havada çalışırken mutlaka açık havada kullanılmaya müsadeeli uzatma kablosu kullanın.** Açık havada kullanılmaya uygun ve müsadeeli uzatma kablosunun kullanılması elektrik çarpması tehlikesini azaltır.
- f) **Elektrikli el aletinin nemli ortamlarda çalıştırılması şartsa, mutlaka toprak kaçağı devre kesicisi kullanın.** Toprak kaçağı devre kesicisi kullanımı elektrik çarpması tehlikesini azaltır.

3) KİŞİLERİN GÜVENLİĞİ

- a) **Dikkatli olun, ne yaptığınıza dikkat edin ve elektrikli el aletinizle çalışırken makul hareket edin.** Yorgunsanız, hap, ilaç veya alkol almışsanız aletinizi kullanmayın. Aletinizi kullanırken bir anlık dikkatsizliğiniz ciddi yaralanmalara yol açabilir.
- b) **Daima kişisel korunma donanımları ve bir koruyucu gözlük kullanın.** Elektrikli el aletinin türü ve kullanımına uygun olarak kullanacağınız toz maskesi, kaymayan sağlam iş ayakkabıları, koruyucu kask veya koruyucu kulaklık gibi kişisel korunma donanımlarını kullanmanız yaralanma tehlikesini büyük ölçüde azaltır.
- c) **Aleti yanlışlıkla çalıştırmaktan kaçının. Akım ikmal şebekesine ve/veya aküye bağlamadan, elinize alıp taşımadan önce elektrikli el aletinin kapalı durumda olduğundan emin olun.** Elektrikli el aletini parmağınızın şalter üzerinde dururken taşırırsanız ve alet açıkken fişi prize sokarsanız kazalara neden olabilirsiniz.
- d) **Aleti çalıştırmadan önce ayar aletlerini veya tornavidaları aletten uzaklaştırın.** Dönen alet

- parçasına temas halinde bulunan bir uç veya anahtar yaralanmalara neden olabilir.
- e) **Kendinize çok fazla güvenmeyin. Duruşunuzun güvenli olmasına dikkat edin ve daima dengeyi koruyun.** Bu sayede aletinizi beklenmedik durumlarda daha iyi kontrol edersiniz.
- f) **Uygun iş elbiseleri giyin. Geniş giysiler giymeyin ve takı takmayın. Saçlarınızı ve giysilerinizi aletin hareketli parçalarından uzak tutun.** Bol giysiler, takılar veya uzun saçlar aletin hareketli parçaları tarafından tutulabilir.
- g) **Aletinize toz emme donanımı ve toz tutma donanımı takılabiliyorsa, bunların bağlı olup olmadığını ve doğru işlev görüp görmediklerini kontrol edin.** Toz emme donanımının kullanımı tozdan kaynaklanabilecek tehlikeleri azaltır.
- h) **Aletleri sık kullanmanız sebebiyle kazadığınızı alışkanlıklar, güvenli prensiplere uymanızı önlememelidir.** Dikkatsiz bir hareket, bir anda ciddi yaralanmalara yol açabilir.
- 4) ELEKTRİKLİ EL ALETLERİYLE DİKKATLİ ÇALIŞMAK VE ALETİ DOĞRU KULLANMAK**
- a) **Aletinizi aşırı ölçüde zorlamayın. İşinize uygun elektrikli el aletini kullanın.** Uygun elektrikli el aleti ile belirtilen performans alanında daha iyi ve daha güvenli çalışırsınız.
- b) **Açma/kapama şalteri arızalı olan elektrikli el aletini kullanmayın.** Açılıp kapanamayan bir elektrikli el aleti tehlikelidir ve onarılması gerekir.
- c) **Alette bir ayarlama işlemine başlamadan, herhangi bir aksesuarı değiştirirken veya aleti elinizden bırakırken fişi prizden çekin veya aküyü çıkarın.** Bu önlem, elektrikli el aletinin yanlışlıkla çalışmasını önler.
- d) **Kullanım dışında iken elektrikli el aletinizi çocukların ulaşamayacağı bir yerde saklayın. Aleti kullanmayı bilmeyen veya bu güvenlik talimatını okumayan kişilerin aleti kullanmasına izin vermeyin.** Deneyimsiz kişiler tarafından kullanıldıkları takdirde elektrikli el aletleri tehlikeli olabilirler.
- e) **Elektrikli el aletinizin ve aksesuarlarınızın bakımını özenle yapın. Aletin hareketli parçalarının kusursuz işlev görüp görmediklerini ve sıkışmadıklarını, parçaların kırık veya hasarlı olup olmadıklarını kontrol edin, aksi takdirde alet işlevini tam olarak yerine getiremez. Aletinizi kullanmadan önce hasarlı parçaları onartın.** Birçok iş kazası aletlerin kötü ve yetersiz bakımından kaynaklanır.
- f) **Kesici uçları keskin ve temiz tutun.** İyi bakım görmüş kesici uçlar daha ender sıkıştırlar ve daha iyi yönlendirilirler.
- g) **Elektrikli el aletlerini, aksesuarı, uçları ve benzerlerini bu güvenlik talimatına uygun olarak kullanın. Aletinizi kullanırken çalışma koşullarını ve yaptığınız işi daima dikkate alın.** Elektrikli el aletlerini kendileri için öngörülen işlerin dışında kullanmak tehlikeli durumların ortaya çıkmasına neden olabilir.
- h) **Tutamak ve kavrama yüzeylerini kuru, yağsız ve temiz tutun.** Kaygan tutamak ve kavrama yüzeyleri, aletin beklenmeyen durumlarda güvenli şekilde tutulmasını ve kontrol edilmesini engeller.

5) SERVİS

- a) **Aletinizi sadece uzman bir elemana ve orijinal yedek parçaları kullanarak onartın.** Böylelikle aletin güvenliğini korumuş olursunuz.

CİLA MAKİNESİ İÇİN GÜVENLİK TALİMATLARI

1) POLİSAJ İŞLEMLERİ İÇİN ORTAK GÜVENLİK UYARILARI

- a) **Bu elektrikli alet cila makinesi olarak tasarlanmıştır. Elektrikli el aleti ile birlikte teslim edilen bütün uyarılara, talimata, şekillere ve verilere uyun hareket edin.** Aşağıdaki talimat hükümlerine uymadığınız takdirde elektrik çarpması, yangın veya ağır yaralanma tehlikesi ile karşılaşabilirsiniz.
- b) **Bu elektrikli alet, taşlama, zımparalama, teli fırçalama veya kesme işleri için tavsiye edilmez.** Bu elektrikli aletin yapması için tasarlandığı işlerin dışında kullanılması hasara ve kişisel yaralanmalara neden olabilir.
- c) **Özellikle tespit ipi olmak üzere polisaj kapağında gevşek parça bırakmayın. Tespit iplerini düzgünce yerleştirin veya kısaltın.** Birlikte dönen tespit ipleri parmaklarınızı kapabilir veya iş parçasına sarılabilir.
- d) **Üretici tarafından bu alet için öngörülmemen ve tavsiye edilmeyen hiçbir aksesuar kullanmayın.** Çünkü aletinize takabileceğiniz her aksesuar güvenli kullanımı garanti etmez.
- e) **Bu aletle kullanacağınız uçların müsaade edilen devir sayıları en azından alet üzerinde belirtilen en yüksek devir sayısı kadar olmalıdır.** Müsaade edilenden daha yüksek devir sayısı ile çalışan uçlar hasar görebilir.
- f) **Uçların dış çapları ve kalınlıkları elektrikli el aletinizin ölçülerine uymalıdır.** Yanlış ölçülere sahip uçlar yeterli ölçüde kontrol edilemez.
- g) **Dişli adaptör parçaları olan uçlar zımpara miline tam olarak uymalıdır. Flanş yardımı ile takılan uçlarda uçların delik çapı flanşın bağlama çapına uygun olmalıdır.** Elektrikli el aletine tam ve hassas biçimde tespit edilmeyen uçlar düzensiz dönerler, aşırı ölçüde titreşim yaparlar ve aletin kontrolünün kaybına neden olurlar.
- h) **Hasarlı uçları kullanmayın. Her kullanımdan önce taşlama disklerini soyulma ve çizik, zımpara tablalarını çizik, aşınma ve yıpranma, tel fırçaları gevşek ve kopuk tel açısından kontrol edin. Elektrikli el aleti veya uç yere düşecek olursa, hasar görüp görmediklerini kontrol edin veya hasar görmemiş bir uç kullanın. Ucu kontrol edip taktıktan sonra çevrede bulunanları uzaklaştırın ve elektrikli el aletini denemek üzere bir dakika kadar en yüksek devir sayısında çalıştırın.** Hasarlı uçlar genellikle bu test çalışmasında kırılır.
- i) **Kişisel koruma donanımı kullanın. Yaptığımız işe uygun olarak tam koruyucu yüz siperi, göz siperi veya koruyucu gözlük kullanın. Eğer uygunsa ve gerekiyorsa, küçük taşlama ve malzeme parçacıklarının sizden uzak tutacak olan toz maskesi, koruyucu kulaklık, koruyucu iş eldiveni veya özel çalışma önlüğü kullanın. Gözler, çeşitli çalışma türleri sırasında ortaya çıkan ve çevreye savrulan nesnelere**

korunmalıdır. Toz veya soluma maskesi çalışma sırasında ortaya çıkan tozu filtre eder. Uzun süre aşırı ve çok yüksek gürültü altında kalırsanız işitme kaybına uğrayabilirsiniz.

- j) **Başkalarını çalışma yerinizden yeterli uzaklıkta tutun. Çalışma alanınıza giren herkes kişisel koruyucu donanım kullanmalıdır.** İş parçasından kopan parçalar veya kırılan uçlar fırlayabilir ve çalışma alanınızın dışında da yaralanmalara neden olabilir.
- k) **Çalışma esnasından uç görünmeyen elektrik kablolarına veya kendi bağlantı kablosuna temas etme olasılığı olan işleri yaparken aleti sadece izolasyonlu tutamaklarından tutun.** Gerilim ileten kablolarla temas elektrikli el aletinin metal parçalarını da elektrik akımına maruz bırakabilir ve elektrik çarpmasına neden olabilir.
- l) **Şebeke bağlantı kablosunu dönen uçtan uzak tutun.** Elektrikli el aletinin kontrolünü kaybederseniz şebeke kablosu uç tarafından kesilebilir veya yakalanabilir, eliniz veya kolunuz dönmekte olan uca temas edebilir.
- m) **Uç tam olarak durmadan elektrikli el aletini hiçbir zaman elinizden bırakmayın.** Dönmekte olan uç aletin bıraktığı zemine temas edebilir ve elektrikli el aletinin kontrolünü kaybedebilirsiniz.
- n) **Elektrikli el aletini taşırken çalıştırmayın.** Giysileriniz dönmekte olan uç tarafından tutulabilir ve elektrikli el aleti bedeninizde delme yapabilir.
- o) **Elektrikli el aletinizin havalandırma deliklerini düzenli olarak temizleyin.** Motor fanı tozları aletin gövdesine çeker ve biriken metal tozları elektrik çarpmasına neden olabilir.
- p) **Elektrikli el aletini yakabilir malzemelerin yakınında kullanmayın.** Kivılcıklar bu malzemeyi tutuşturabilir.
- q) **Sıvı soğutucu madde gerektiren uçları kullanmayın.** Su veya diğer sıvı soğutucu maddelerin kullanımı elektrik çarpmasına neden olabilir.
- 2) GERİ TEPME VE BUNA İLİŞKİN UYARILAR**
- Geri tepme, taşlama diski, zımpara tablası, tel fırça ve benzeri uçların takılması veya bloke olması sonucu ortaya çıkan ani bir tepkidir. Takılma veya bloke olma dönmekte olan ucun ani olarak durmasına neden olur. Bunun sonucunda da kontrolden çıkan elektrikli el aleti blokaj yerinde ucun dönme yönünün tersine doğru ivmelenir.
 - Örneğin bir taşlama diski iş parçası içinde takılır veya bloke olursa, taşlama diskisinin iş parçası içine giren kenarı tutulur ve bunun sonucunda da disk kırılır veya bir geri tepme kuvveti oluşturabilir. Taşlama diski blokaj yerinde dönme yönüne göre kullanıcıya doğru veya onun bulunduğu yerin tersine doğru hareket eder. Bu durumda taşlama diski kırılabilir.
 - Geri tepme elektrikli el aletinin yanlış veya hatalı kullanımının bir sonucudur. Geri tepme kuvveti aşağıda belirtilen önlemlerle önenebilir.
- a) **Elektrikli el aletini sıkıca tutun ve bedeninizle kollarınızı geri tepme kuvvetlerini karşılayabilecek konuma getirin. Yüksek devirlerde geri tepme kuvvetlerini veya reaksiyon momentlerini kontrol edebilmek için eğer varsa daima ek tutamağı kullanın.** Kullanıcı kişi uygun önlemler olarak geri tepme kuvvetlerinin veya reaksiyon momentlerinin üstesinden gelebilir.

- b) Elinizi hiçbir zaman dönmekte olan ucun yakınına getirmeyin. Aletin ucu geri tepme durumlarında elinize doğru hareket edebilir.
- c) **Bedeninizi elektrikli el aletinin geri tepme kuvveti sonucu hareket edebileceği alandan uzak tutun.** Geri tepme kuvveti blokaj yerinde elektrikli el aletini taşıma diskinin dönüş yönünün tersine doğru hareket ettirin.
- d) **Özellikle köşeler, keskin kenarları nesnelere ve benzeri yerlerde çok dikkatli çalışın. Ucun iş parçasına çarpıp geri çıkmasını ve sıkışmasını önleyin.** Dönmekte olan uç köşelerde, keskin kenarlarda veya çarpma durumunda sıkışmaya eğilimlidir. Bu durum kontrol kaybına veya geri tepme kuvvetlerinin oluşmasına neden olur.
- e) **Zincirli veya dişli testere bıçağı kullanmayın.** Bu tip uçlar sık sık geri tepme kuvvetinin oluşmasına veya elektrikli el aletinin kontrolünün kaybına neden olur.

EK GÜVENLİK TALİMATI

GENEL

- Bu aleti yalnız kuru parlatma işlemi için kullanın
- Verilen kulakları yalnız bu araçla kullanın
- Bu alet 16 yaşının altındaki kişiler tarafından kullanılmamalıdır
- İstedığınız ayar değişikliklerini ve aksesuar değişikliklerini yapmadan önce mutlaka şebeke fişini prizden çekin**
- Bu aletle asbest içeren malzemeleri işlemeyin** (asbest kanserojen bir madde kabul edilir)

AKSESUARLAR

- SKIL sadece SKIL satıcınızdan temin edeceğiniz uygun aksesuarlar kullanıldığında aletin düzgün çalışmasını garanti eder
- SKIL olmayan aksesuarların montajı/kullanımı için üreticisi tarafından verilen açıklamaları inceleyin
- Bu aletle kullanacağınız aksesuar edilen devir sayısı en azından aletin boştaki en yüksek devir sayısı kadar olmalıdır
- M14 x 21 mm'den küçük "kör" diş çukuru olan aksesuarlar kullanmayın
- Hasarlı, şekli bozulmuş veya titreşen aksesuarları kullanmayın
- Aksesuarları dikkatli tutun ve saklayın

DISARIDA KULLANIM

- Açık havada kullanırken, cihazı maksimum 30 mA tetikleyici akımı olan bir hatalı akım (FI) devre kesicisine bağlayın ve yalnızca açık havada kullanıma uygun ve su geçirmez ara prizi olan bir uzatma kablosu kullanın

KULLANMADAN ÖNCE

- Güç geriliminin, aletin özellik plakasında belirtilen voltaj değeriyle aynı olduğunu sık sık kontrol edin
- Daima yardımcı tutamağı A ② veya B ② takın; bunlardan bir olmadan asla aleti kullanmayın
- Kurşun içeren boya, bazı ahşap türleri, mineral ve metal gibi malzemelerden çıkan toz zararlı olabilir (tozla temasta bulunulması veya solunması operatörde veya yakında bulunan kişilerde alerjik reaksiyonlara ve/veya solunum yolu hastalıklarına neden olabilir); **toz maskesi takın ve toz ekstraksiyon cihazıyla çalışın (bağlanabiliyorsa)**
- Bazı toz tipleri (örneğin meşe ve kayın ağacı tozu), bilhassa ahşap yenileme katkı maddeleriyle birlikte,

karsinojenik olarak sınıflandırılır; **toz maskesi takın ve toz ekstraksiyon cihazı ile çalışın (bağlanabiliyorsa)**

- Çalışmak istediğiniz malzemelerin, toz ile ilgili ulusal taleplerini takip ediniz
- Çalıştığınız parçayı sabitleyin** (kıskaçlarla ya da mengeneyle sabitlenmiş bir iş parçası elle tutulan işten daha güvenilirdir)
- Aleti mengeneyle sıkıştırmayın
- Tamamen kusursuz ve güvenli 16 Amp uzatma kabloları kullanın

KULLANIM SIRASINDA

- Aleti daima iki elinizle sıkıca tutun ve güvenli bir duruş alın
- Kabloyu her zaman aletin hareketli parçalarından uzak tutun; kabloyu arka tarafta araçtan uzakta bulundurun
- Eğer cihazı kullanırken kordon hasar görür yada kesilirse, kordona kesinlikle dokunmayınız ve derhal fişi çekiniz
- Kordon hasarlı iken cihazı kesinlikle kullanmayınız; uzman bir kişi tarafından değiştiriniz
- Elektriksel veya mekaniksel hatalı çalışma durumunda aleti hemen kapatın ve fişi çekin
- Akım kesilmesi sırasında veya fişin yanlışlıkla yerinden çıkması durumunda H ② şalterin bırakın beklenmeyen bir anda çalışmaya başlamasını engellemek için

KULLANIMDAN SONRA

- Aleti yerleştirmeden önce motoru kapatın ve tüm hareketli parçaların durduğundan emin olun
- Aleti kapatıktan sonra hiçbir zaman yandan güç vererek aksesuarın dönüşünü durdurmayın

ALET ÜZERİNDEKİ SİMGELERİN AÇIKLAMASI

- ③ Kullanmadan önce kılavuzu okuyun
- ④ Koruyucu gözlük ve koruyucu kulaklık giyin
- ⑤ Çift yalıtım (topraklama kablosu gerekli değildir)
- ⑥ Aleti evdeki çöp kutusuna atmayınız

KULLANIM

- Yardımcı tutamakların takılması ⑦
 - ! şebeke fişini çekin**
 - A yardımcı kulpunu aracın soluna veya sağına vidalayın (yapılacak işe bağlı olarak)
 - yardımcı tutamağı B gösterildiği şekilde takın ve her iki vidayı da verilen altıgen anahtarla C sıkın
- Aksesuarların takılması ②
 - ! şebeke fişini çekin**
 - D milini ve takılan tüm parçaları temizleyin
 - F mil kilitleme düğmesine basarken E VELCRO zımpara tablasını D mile takın
 - ! F mil kilidini yalnızca D mili hareketsizken itin**
 - yün polisaj ucunu G VELCRO zımpara tablasına E bastırın
 - aksesuarları çıkartmak için tersini yapın
- Aletinizi kullanmadan önce
 - aksesuarların doğru olarak monte edildiğinden ve iyice sıkılmış olduğundan emin olunuz
 - monte edilen aksesuarın serbestçe işleyip işlemediğini el ile döndürerek kontrol ediniz
 - aleti güvenli bir pozisyonda tutup, en az 60 saniye maksimum hızda ve boşta çalıştırarak bir deneme işletimi yapın
 - hissedilir derecede titreşim veya başka bozukluklar olması halinde aleti hemen kapatın ve muhtemel bozuklukların nedenlerini tespit edin

- Açma/kapama
 - bu alet H ② şalterine basmak ve bu şalteri bırakmak suretiyle açılıp kapanır
- Elektronik kontrollü yumuşak ilk hareket
Bu sistem, alet açıldıktan sonra sarsıntısız ve geri tepmesiz biçimde en yüksek devir sayısına ulaşılmasını sağlar
- Sürekli kullanım için anahtar kilitleme
 - H şalterine basın
 - J düğmesine başparmağınızla bastırın
 - H şalterine tekrar basıp bırakmak suretiyle şalteri sabit konumdan kurtarın
- Hız kontrolü ⑧
 - ayar düğmesi K ile maksimum hız en en düşük değerden en yüksek değere kadar kademesiz olarak ayarlanabilir (1-MAX)
 - ayar düğmesini K konum 1'de başlatın (düşük hız)
 - gerikirse, alet çalışırken daha yüksek bir hızı seçin
 - ideal çalışma hızı malzemeye bağlı olup, pratik deneylerle belirlenebilir
- Aletin çalıştırılması
 - aleti çalıştırın
 - aleti parlatılacak yüzeye tamamen yerleştirin ve eşit bölümler halinde hareket ettirin
 - bir hareket bir önceki hareketin bir buşuk katı kadar üstüne binmeli
 - kaplamanın yanmasını önlemek için bir noktada durmayın
 - kaplamanın lekelenmesini ya da yanmasını önlemek için aleti dairesel olarak hareket ettirmeyin
- ! **aleti kapatmadan önce iş parçası üzerinden kaldırın**
- ! **aleti kapattıktan sonra, aksesuar bir kaç saniye dana dönmeye devam eder**
- Aletin tutulması ve kullanılması ⑨
 - ! **çalışma esnasında, aleti daima gri renkli bölge(ler)den tutun(uz)**
 - aleti her zaman iki elinizle sıkıca tutun, böylece aletin kontrolü her zaman sizde olacaktır
 - sağlam bir yüzeyde çalışın
- ! **cihazın hareketsiz kalmasına neden olacak kadar basınç uygulamayın**
- havalandırma yuvalarını L ② açık tutun

BAKIM / SERVİS

- Aleti çarpmalardan, darbelerden ve yağlı ortamlardan koruyun
- Aleti ve kablosunu daima temiz tutun (özellikle havalandırma yuvalarını L ②)
- ! **temizlemeden önce, cihazın fişini prizden çekin**
- ! **havalandırma yuvalarını sıvri uçlu nesnelere sokarak temizlemeyi denemeyin**
- Dikkatli biçimde yürütülen üretim ve test yöntemlerine rağmen aleti anıza yapacak olursa, onarım SKIL elektrikli aletleri için yetkili bir serviste yapılmalıdır
 - aleti ambalajıyla birlikte satın alma belgenizi de ekleyerek satıcınıza veya en yakın SKIL servisine ulaştırın (adresler ve aletin servis şemaları www.skil.com adresinde listelenmiştir)

ÇEVRE

- **Elektrikli aletlerini, aksesuarları ve ambalajları evdeki çöp kutusuna atmayınız** (sadece AB ülkeleri için)
 - kullanılmış elektrikli aletleri, elektrik ve elektrikli eski cihazlar hakkındaki 2012/19/EC Avrupa yönergelerine göre ve bu yönergeler ulusal hukuk kurallarına göre uyarlanarak, ayrı olarak toplanmalı ve çevre şartlarına uygun bir şekilde tekrar değerlendirmeye gönderilmelidir
 - sembol ⑥ size bunu anımsatmalıdır

GÜRÜLTÜ / TİTREŞİM

- Ölçülen EN 60745 göre ses basıncı bu makinanın seviyesi 86 dB(A) ve çalışma sırasındaki gürültü 97 dB(A) (standart sapma: 3 dB), ve titreşim 8,5 m/s² (üç yönün vektör toplamı; tolerans K = 1,5 m/s²)
- Titreşim emisyon seviyesi EN 60745'te sunulan standart teste göre ölçülmüştür; bu seviye, bir aleti bir başkasıyla karşılaştırmak amacıyla ve aletin söz konusu uygulamalarda kullanılması sırasında titreşime maruz kalma derecesinin ön değerlendirmesi olarak kullanılabilir
 - aletin farklı uygulamalar için veya farklı ya da bakımı yetersiz yapılmış aksesuarlarla kullanılması, maruz kalma seviyesini belirgin biçimde **artırabilir**
 - aletin kapalı olduğu veya çalıştığı ancak gerçek anlamda iş yapmadığı zamanlarda, maruz kalma seviyesi belirgin biçimde **azalabilir**
- ! **aletin ve aksesuarlarının bakımını yaparak, ellerinizi sıcak tutarak ve iş modellerinizi düzenleyerek kendinizi titreşimin etkilerinden koruyun**

PL

Maszyny do polerowania

9955

WSTĘP

- Narzędzie jest przeznaczone do szlifowania powierzchni metalowych, plastikowych, powlekanych oraz do szlifowania kamienia, bez użycia wody
- Przeczytać i zachować niniejszą instrukcję obsługi ③

DANE TECHNICZNE ①

ELEMENTY NARZĘDZIA ②

- A Uchwyt dodatkowy
- B Uchwyt dodatkowy (typ D)
- C Klucz sześciokątny
- D Wrzeciono
- E Talerz szlifierski (VELCRO "narzępe")
- F Przycisk blokady wrzeciona
- G Osłona welniana
- H Włącznik/wyłącznik
- J Przycisk blokady przełącznika zasilania
- K Pokrętko do kontrola maksymalnej prędkości obrotowej
- L Szczeliny wentylacyjne

BEZPIECZEŃSTWO

OGÓLNE OSTRZEŻENIA DOTYCZĄCE BEZPIECZEŃSTWA UŻYTKOWANIA ELEKTRONARZĘDZIA

⚠ OSTRZEŻENIE Należy przeczytać wszystkie ostrzeżenia i wskazówki dotyczące bezpieczeństwa użytkowania oraz przestudiować wszystkie rysunki i parametry techniczne, dostarczone wraz z niniejszym elektronarzędziem. Nieprzestrzeganie poniższych wskazówek może stać się przyczyną porażenia prądem elektrycznym, pożaru lub/i poważnych obrażeń ciała. **Wszystkie ostrzeżenia i wskazówki należy zachować do dalszego zastosowania.** Użyte w poniższym tekście pojęcie "elektronarzędzie" odnosi się do elektronarzędzi zasilanych energią elektryczną z sieci (z przewodem zasilającym) i do elektronarzędzi zasilanych akumulatorami (bez przewodu zasilającego).

1) BEZPIECZEŃSTWO MIEJSCA PRACY

- Miejsce pracy należy utrzymywać w czystości i dobrze oświetlone.** Nieporządek lub nie oświetlone miejsce pracy mogą doprowadzić do wypadków.
- Nie należy pracować tym narzędziem w otoczeniu zagrożonym wybuchem, w którym znajdują się np. łatwopalne ciecze, gazy lub pyły.** Elektronarzędzia wytwarzają iskry, które mogą podpalić ten pył lub pary.
- Elektronarzędzie trzymać podczas pracy z daleka od dzieci i innych osób.** Przy nieuwadze można stracić kontrolę nad narzędziem.

2) BEZPIECZEŃSTWO ELEKTRYCZNE

- Wtyczka urządzenia musi pasować do gniazda. Nie wolno modyfikować wtyczki w jakikolwiek sposób. Nie należy używać wtyczek adapterowych razem z uziemionymi narzędziami.** Niezmienione wtyczki i pasujące gniazda zmniejszają ryzyko porażenia prądem.
- Należy unikać kontaktu z uziemionymi powierzchniami jak rury, grzejniki, piece i lodówki.** Istnieje zwiększone ryzyko porażenia prądem, gdy Państwa ciało jest uziemione.
- Urządzenie należy przechowywać zabezpieczone przed deszczem i wilgocią.** Wniknięcie wody do elektronarzędzia podwyższa ryzyko porażenia prądem.
- Nigdy nie należy używać kabla do innych czynności. Nigdy nie używać kabla do noszenia urządzenia za kabel, zawieszania lub do wyciągania wtyczki z gniazda. Kabel należy trzymać z daleka od wysokich temperatur, oleju, ostrych krawędzi lub ruchomych części urządzenia.** Uszkodzone lub poplątane kable zwiększają ryzyko porażenia prądem.
- W przypadku, kiedy elektronarzędziem pracuje się na świeżym powietrzu należy używać kabla przedłużającego, który dopuszczony jest do używania na zewnątrz.** Użycie dopuszczonego do używania na zewnątrz kabla przedłużającego zmniejsza ryzyko porażenia prądem.
- Jeżeli nie da się uniknąć zastosowania elektronarzędzia w wilgotnym otoczeniu, należy użyć wyłącznika ochronnego różnicowo-prądowego.** Zastosowanie wyłącznika ochronnego różnicowo-prądowego zmniejsza ryzyko porażenia prądem.

3) BEZPIECZEŃSTWO OSÓB

- Należy być uważnym, uważać na to co się robi i pracę elektronarzędziem rozpoczynać z rozsądkiem. Nie należy używać urządzenia gdy jest się zmęczonym lub pod wpływem narkotyków, alkoholu lub leków.** Moment nieuwagi przy użyciu urządzenia może doprowadzić do poważnych urażeń ciała.
- Należy nosić osobiste wyposażenie ochronne i zawsze okulary ochronne.** Noszenie osobistego wyposażenia ochronnego jak maska przeciwpyłowa, nie ślizgające się buty robocze, hełm ochronny lub ochrona słuchu, w zależności od rodzaju i zastosowania elektronarzędzia zmniejsza ryzyko obrażeń ciała.
- Należy unikać niezamierzonego uruchomienia narzędzia. Przed włożeniem wtyczki do gniazdko i/ lub podłączeniem do akumulatora, a także przed podniesieniem lub przeniesieniem elektronarzędzia, należy upewnić się, że elektronarzędzie jest wyłączone.** Trzymanie palca na wyłączniku podczas przenoszenia elektronarzędzia lub podłączenie do prądu włączonego narzędzia, może stać się przyczyną wypadków.
- Zanim urządzenie zostanie włączone należy usunąć narzędzia nastawcze lub klucze.** Narzędzie lub klucz, które znajdują się w ruchomych częściach urządzenia mogą doprowadzić do obrażeń ciała.
- Nie należy przeceniać swoich możliwości. Należy dbać o bezpieczną pozycję pracy i zawsze utrzymywać równowagę.** Przez to możliwa jest lepsza kontrola urządzenia w nieprzewidzianych sytuacjach.
- Należy nosić odpowiednie ubranie. Nie należy nosić luźnego ubrania lub biżuterii. Włosy i ubranie należy trzymać z daleka od ruchomych elementów .** Luźne ubranie, biżuteria lub długie włosy mogą zostać pociągnięte przez poruszające się części.
- W przypadku, kiedy możliwe jest zamontowanie urządzeń odsysających lub podchwytyjących należy upewnić się, czy są one właściwie podłączone i prawidłowo użyte.** Użycie urządzenia odsysającego pył może zmniejszyć zagrożenie pyłami.
- Nie wolno pozwolić, aby rutyna nabyta w wyniku wielokrotnego użycia elektronarzędzia, zastąpiła ścisłe przestrzeganie zasad bezpieczeństwa.** Niedbale obsługiwane elektronarzędzie może w ułamku sekundy wyrządzić istotne szkody lub spowodować ciężkie obrażenia.

4) UWAGNE OBCOWANIE ORAZ UŻYCIE ELEKTRONARZĘDZIA

- Nie należy przeciążać urządzenia. Do pracy używać należy elektronarzędzia, które jest do tego przewidziane.** Odpowiednim narzędziem pracuje się lepiej i bezpieczniej w podanym zakresie sprawności.
- Nie należy używać elektronarzędzia, którego wyłącznik/wyłącznik jest uszkodzony.** Elektronarzędzie, którego nie można włączyć lub wyłączyć jest niebezpieczne i musi zostać naprawione.
- Przed rozpoczęciem jakichkolwiek prac nastawczych, przed wymianą osprzętu lub przed odfodzeniem elektronarzędzia należy wyjąć wtyczkę z gniazda sieciowego i/lub usunąć akumulator.** Ten środek ostrożności zapobiega niezamierzonemu włączeniu się urządzenia.

- d) **Nie używane elektronarzędzia należy przechowywać poza zasięgiem dzieci. Nie należy udostępniać narzędzia osobom, które jego nie umieją lub nie przeczytały tych przepisów.** Używane przez niedoświadczzone osoby elektronarzędzia są niebezpieczne.
- e) **Elektronarzędzia i osprzęt należy utrzymywać w nienagannym stanie technicznym. Należy kontrolować, czy ruchome części urządzenia funkcjonują bez zarzutu i nie są zablokowane, czy części nie są pęknięte lub uszkodzone, co mogłoby mieć wpływ na prawidłowe funkcjonowanie urządzenia. Uszkodzone narzędzie należy przed użyciem urządzenia oddać do naprawy.** Wiele wypadków spowodowanych jest przez niewłaściwą konserwację elektronarzędzi.
- f) **Osprzęt tnący należy utrzymywać ostry i czysty.** Starannie pielęgnowany osprzęt tnący z ostrymi krawędziami tnącymi blokuje się rzadziej i łatwiej się używa.
- g) **Elektronarzędzia, osprzęt, narzędzia itd. należy używać odpowiednio do tych przepisów. Uwzględnić należy przy tym warunki pracy i czynności do wykonania.** Użycie elektronarzędzi do innych niż przewidziane prace może doprowadzić do niebezpiecznych sytuacji.
- h) **Uchwyty i powierzchnie chwytowe powinny być zawsze suche, czyste, niezabrudzone olejem ani smarem.** Śliskie uchwyty i powierzchnie chwytowe nie pozwalają na bezpieczne trzymanie narzędzia i kontrolę nad nim w nieoczekiwanych sytuacjach.
- 5) **SERWIS**
- a) **Naprawę urządzenia należy zlecić jedynie kwalifikowanemu fachowcowi i przy użyciu oryginalnych części zamiennych.** To gwarantuje, że bezpieczeństwo użytkowania zostanie zachowane.

INSTRUKCJE DOTYCZĄCE BEZPIECZEŃSTWA PRACY ZE SZLIFIERKĄ

1) WSKAZÓWKI BEZPIECZEŃSTWA DOTYCZĄCE POLEROWANIA

- a) **Elektronarzędzie należy używać jako maszyny do polerowania. Należy przestrzegać wszystkich wskazówek ostrzegawczych, przepisów, opisów i danych, które otrzymali Państwo wraz z elektronarzędziem.** Jeśli nie będą przestrzegane następujące przepisy, może dojść do porażenia prądem, pożaru i/lub ciężkich obrażeń ciała.
- b) **Nie powinno być używane do ścierania, piaskowania, czyszczenia szczotką metalową czy cięcia.** Stosowanie elektronarzędzia w operacjach, do których nie jest przeznaczone, może spowodować zagrożenie i obrażenia ciała.
- c) **Nie wolno pozwolić na to, by przy pokrywie polerskiej znajdowały się luźne części, przede wszystkim sznurki mocujące. Sznurki mocujące należy schować lub skrócić.** Luźne, kręcące się razem sznurki mocujące mogą uchwycić Państwa palce lub zaplątać się w obrabianym przedmiocie.
- d) **Nie należy używać osprzętu, który nie jest przewidziany i polecany przez producenta specjalnie do tego elektronarzędzia.** To, że można

- przymocować osprzęt do elektronarzędzia, nie gwarantuje bezpiecznego użycia.
- e) **Dopuszczalna prędkość obrotowa używanego narzędzia musi być co najmniej tak wysoka jak największa prędkość obrotowa podana na elektronarzędziu.** Osprzęt, który obraca się szybciej niż jest to dopuszczalne, może zostać zniszczony.
- f) **Średnica zewnętrzna i grubość używanego narzędzia muszą odpowiadać danym wymiarom Państwa elektronarzędzia.** Używanych narzędzi o niewłaściwych wymiarach nie można wystarczająco osłonić lub kontrolować.
- g) **Narzędzia robocze z wkładką gwintowaną muszą dokładnie pasować na gwint na wrzecionie. W przypadku narzędzi roboczych, mocowanych przy użyciu kołnierza średnica otworu narzędzia roboczego musi być dopasowana do średnicy kołnierza.** Narzędzia robocze, które nie mogą być dokładnie osadzone na elektronarzędziu, obracając się nierównomiernie, bardzo mocno wibrują i mogą spowodować utratę kontroli nad elektronarzędziem.
- h) **Nie należy używać żadnych narzędzi, które są uszkodzone. Należy skontrolować przed każdym użyciem używane narzędzia takie jak ściernice pod względem odprysków i pęknięć, talerze szlifierskie pod względem pęknięć, starcia lub silnego zużycia, szczotki druciane pod względem luźnych lub złamanych drutów. W przypadku, gdy elektronarzędzie lub używane narzędzie upadnie, należy skontrolować, czy nie jest uszkodzone, lub użyć narzędzia, które jest nieuszkodzone. Jeśli narzędzie zostało sprawdzone i umocowane, powinni przebywać Państwo i osoby znajdujące się w pobliżu poza obszarem obracającego się narzędzia, a elektronarzędzie należy pozostawić włączone przez minutę na najwyższych obrotach.** Uszkodzone narzędzia łamią się w tym czasie próbnym.
- i) **Należy nosić osobiste wyposażenie ochronne. W zależności od użycia, należy nosić maskę ochronną pokrywającą całą twarz, ochronę oczu lub okulary ochronne. Gdy jest to stosowne, należy nosić maskę przeciwpyłową, ochronę słuchu, rękawice ochronne lub specjalny fartuch, który utrzymuje z daleka od Państwa małe cząstki ścieranego i obrabianego materiału.** Oczy muszą być chronione przed poruszającymi się w powietrzu ciałami obcymi, które powstają przy różnych sposobach użycia. Maski przeciwpyłowa i ochronna dróg oddechowych muszą filtrować powstający podczas pracy pył. W przypadku, gdy pozostaje się długo pod wpływem hałasu, można utracić słuch.
- j) **Należy uważać, by inne osoby znajdowały się w bezpiecznym oddaleniu do Państwa zakresu pracy. Każdy, kto wkroczy w zakres pracy, musi nosić osobiste wyposażenie ochronne.** Odtarki obrabianego przedmiotu lub złamanych używanych narzędzi mogą zostać odrzucone i spowodować obrażenia również poza bezpośrednim zakresem pracy.
- k) **Podczas wykonywania prac, przy których narzędzie robocze mogłoby natrafić na ukryte przewody elektryczne lub na własny przewód zasilający, elektronarzędzie należy trzymać tylko za izolowane**

powierzchnie rękojeści. Kontakt z przewodem sieci zasilającej może spowodować przekazanie napięcia na części metalowe elektronarzędzia, co mogłoby spowodować porażenie prądem elektrycznym.

- l) **Kabel zasilający należy trzymać z dala od obracającego się narzędzia.** Jeśli straci się kontrolę nad narzędziem, kabel zasilający może zostać przecięty lub ujęty i dłoń lub ręka może dostać się w obracające się używane narzędzie.
- m) **Nigdy nie wolno odkładać elektronarzędzia zanim narzędzie się zupełnie nie zatrzyma.** Obracające się narzędzie może wejść w kontakt z powierzchnią, na którą jest odłożone, przez co można stracić kontrolę nad elektronarzędziem.
- n) **Nie wolno pozostawiać elektronarzędzia włączonego podczas przenoszenia.** Ubranie może zostać ujęte przez przypadkowy kontakt z obracającym się narzędziem, i narzędzie może się wwiercić w Państwa ciało.
- o) **Należy regularnie oczyszczać szczeliny wentylacyjne Państwa elektronarzędzia.** Dmuchawa silnika wciąga pył do obudowy, a duże nagromadzenie pyłu metalowego może spowodować zagrożenie elektryczne.
- p) **Nie należy używać elektronarzędzia w pobliżu materiałów łatwopalnych.** Iskry mogą zapalić te materiały.
- q) **Nie należy używać narzędzi, które wymagają płynnych środków chłodzących.** Użycie wody lub innych płynnych środków chłodzących może doprowadzić do porażenia prądem.

2) ODRZUT I ODPOWIEDNIE WSKAZÓWKI OSTRZEGAWCZE

- Odrzut to nagła reakcja na zaczepiające się lub zablokowane obracające się narzędzie, takie jak ściernica, talerz szlifierski, szczotka druciana itd. Zaczepienie się lub zablokowanie prowadzi do nagłego zatrzymania się obracającego się narzędzia. Niekontrolowane elektronarzędzie zostanie przez to w miejscu zablokowania przyspieszone w kierunku przeciwnym do kierunku obrotu narzędzia.
 - Gdy, np. ściernica zahaczy lub zablokuje się w obrabianym przedmiocie, krawędź ściernicy, która wgłębia się w obrabiany przedmiot, może zaplątać się i przez to ściernica wyłamie i spowodować odrzut. Ściernica porusza się wtedy w kierunku osoby obsługującej lub od niej, w zależności od kierunku obrotów ściernicy w miejscu zablokowania. Przy tym ściernice mogą się również złamać.
 - Odrzut jest następstwem niewłaściwego lub błędnego użycia elektronarzędzia. Można go uniknąć przez zachowanie odpowiednich środków ostrożności, takich jak niżej opisane.
- a) **Elektronarzędzie należy mocno trzymać, a ciało i ręce ustawić w pozycji, w której można złagodzić siły odrzutu. Należy zawsze używać uchwytu dodatkowego, jeśli jest, żeby mieć jak największą kontrolę nad siłami odrzutu lub momentem reakcji podczas rozruchu.** Osoba obsługująca urządzenie może opanować siły odrzutu i reakcji poprzez zachowanie odpowiednich środków ostrożności.

- b) **Nigdy nie należy trzymać rąk w pobliżu obracających się używanych narzędzi.** Używane narzędzie może przy odrzucie poruszać się przez Państwa rękę.
- c) **Należy unikać ciała zasięgu, w który poruszy się elektronarzędzie podczas odrzutu.** Odrzut przemierzsza elektronarzędzie w kierunku przeciwnym do ruchu ściernicy w miejscu zablokowania.
- d) **Należy pracować szczególnie ostrożnie w zakresach kątów, ostrych krawędzi itd. Należy zapobiec, by używane narzędzia mogły zostać odrzucone od obrabianego przedmiotu i mogły się zablokować.** Obracające się używane narzędzie skłonne jest w kątach, przy ostrych krawędziach lub gdy zostaje odrzucone do tego by się zahaczyć. To powoduje utratę kontroli lub odrzut.
- e) **Nie należy używać brzeszczotu łańcuchowego lub zębatego.** Takie narzędzia często powodują odrzut lub utratę kontroli nad elektronarzędziem.

DODATKOWE WSKAZÓWKI BEZPIECZEŃSTWA

OGÓLNE

- Narzędzia należy używać wyłącznie do szlifowania na sucho
- Należy stosować wyłącznie konierze dostarczone wraz z narzędziem
- Narzędzie nie powinny używać dzieci poniżej 16 roku życia
- **Przed przystąpieniem do wykonywania jakichkolwiek czynności przy narzędziu, w czasie przerw w pracy jak również po jej zakończeniu wyjąć wtyczkę z gniazda sieciowego**
- **Nie należy obrabiać materiału zawierającego azbest (azbest jest rakotwórczy)**

AKCESORIA

- SKIL może zagwarantować bezawaryjne działanie narzędzia tylko przy korzystaniu z odpowiedniego wyposażenia dodatkowego, dostępnego u dystrybutorów produktów SKIL
- Montując/używając akcesoriów innych producentów, należy przestrzegać instrukcji określonych przez danego producenta
- Używać tylko akcesoriów, których dopuszczalna prędkość obrotowa jest co najmniej tak wysoka jak najwyższa prędkość obrotowa urządzenia na biegu bez obciążenia
- Nigdy nie należy stosować akcesoriów ze "ślepyimi" gwintowanymi otworami mniejszymi niż M14 x 21 mm
- Nie należy stosować akcesoriów, które są uszkodzone, zniekształcone lub niewłaściwie osadzone
- Starannie posługiwać i przechowywać akcesoriów

STOSOWANIE NA DWORZE

- Pracując na otwartym powietrzu podłączyć urządzenie za pośrednictwem wyłącznika prądu zakłócenieniowego (FI), wyzwalanego prądem o natężeniu nie przekraczającym 30 mA; używać wyłącznie specjalnego przedłużacza do pracy na otwartym powietrzu wyposażonego w bryzgoszczelne gniazdo sprzęgające

PRZED UŻYCIEM

- Każdorazowo należy sprawdzać, czy napięcie zasilania jest zgodne z napięciem podanym na tabliczce znamionowej urządzenia

- Należy zawsze korzystać z uchwytu pomocniczego A ② lub B ②; nie wolno używać tego narzędzia bez tych uchwytów
- Pył pochodzący z takich materiałów, jak farby zawierające ołów, niektóre gatunki drzewa, minerały i metal może być szkodliwy (kontakt z nim lub wdychanie takiego pyłu może powodować reakcje alergiczne i/lub niewydolność oddechową u operatora lub osób towarzyszących); **należy zakładać maskę przeciwpyłową i pracować z urządzeniem odsysającym, jeżeli można je podłączyć**
- Niektóre rodzaje pyłu są zaklasyfikowane jako rakotwórcze (takie, jak pył dębu i buka) szczególnie w połączeniu z dodatkami do kondycjonowania drewna; **należy zakładać maskę przeciwpyłową i pracować z urządzeniem odsysającym pył, jeżeli można je podłączyć**
- Należy stosować się do lokalnych wymogów dotyczących pracy w otoczeniu pyłu powstającego podczas obróbki materiału
- Należy zabezpieczyć miejsce przeznaczone do zszycia** (miejsce przeznaczone do zszycia umieszczone w zaciskach lub imadle jest utrzymywane w miejscu bezpieczniej niż w rękę)
- Nie należy zaciskać narzędzia w imadle
- W przypadku korzystania z kabla przedłużającego należy zwrócić uwagę, aby był maksymalnie nawinięty na bęben oraz był przystosowany do przewożenia prądu o natężeniu przynajmniej 16 A

PODCZAS UŻYWANIA

- Podczas pracy trzeba mocno trzymać narzędzie obiema rękami i zachowywać bezpieczną odległość
- Kabel zasilający powinien stale znajdować się w bezpiecznej odległości od wirującej części elektronarzędzia; kabel zasilający zawsze prowadzić z tyłu elektronarzędzia
- W przypadku uszkodzenia lub przecięcia przewodu podczas pracy, nie wolno go dotykać, tylko należy natychmiast wyciągnąć z gniazdka wtyczkę
- Pod żadnym pozorem nie wolno korzystać z narzędzia z uszkodzonym przewodem; zleć jego wymianę wykwalifikowanej osobie
- W przypadku wadliwego działania mechanicznych lub elektrycznych elementów urządzenia, należy bezzwocznie odłączyć narzędzie i wyjąć wtyczkę
- W przypadku przerwy w zasilaniu na przykład na skutek nieumyślnego wyciągnięcia wtyczki, zwolnić włącznik H ② aby uniknąć nieoczekiwanego uruchomienia narzędzia

PO UŻYCIU

- Przed odłożeniem narzędzia należy wyłączyć silnik i upewnić się, że wszystkie ruchome elementy zostały całkowicie zatrzymane
- Po wyłączeniu narzędzia nigdy nie należy zatrzymywać wirujących elementów działając na nie z bocznie przyłożoną siłą

OBJAŚNIENIE SYMBOLI NA NARZĘDZIU

- Przed użyciem przeczytaj instrukcję obsługi
- Należy stosować okulary ochronne i ochraniacze suchu
- Podwójna izolacja (brak uziemienia)
- Nie wyrzucaj narzędzie wraz z odpadami z gospodarstwa domowego

UŻYTKOWANIE

- Montowanie uchwytów pomocniczych ⑦
 - ! wyjąć wtyk z gniazda sieciowego**
 - przykręcić uchwyt pomocniczy A po lewej lub prawej stronie narzędzia (w zależności od pracy, która ma być wykonywana)
 - zamontować uchwyt pomocniczy B zgodnie z ilustracją i przykręcić obydwie śruby (dostarczone w zestawie) kluczem sześciokątnym C
- Montowanie akcesoriów ②
 - ! wyjąć wtyk z gniazda sieciowego**
 - oczyścić wrzeciono D i wszystkie elementy, które mają zostać zamontowane
 - przykręcić talerz szlifierski VELCRO E na wrzeciono D, naciskając przycisk blokady wrzeciona F
 - ! przycisk blokady wrzeciona F należy wcisnąć tylko gdy wrzeciono D jest w spoczynku**
 - docisnąć polerkę wełnianą G na talerz szlifierski VELCRO E
 - aby zdemontować element, należy postępować w odwrotnej kolejności
- Przed przystąpieniem do pracy
 - sprawdzić prawidłowość zamocowania narzędzia roboczego
 - skontrolować bieg tarczy wymuszając ruch ręką
 - uruchomić próbnie elektronarzędzie w biegu luzem w ciągu przynajmniej 60 sekund z maksymalną prędkością obrotową
 - w przypadku stwierdzenia wibracji lub innej nieprawidłowości elektronarzędzie natychmiast wyłączyć i usunąć przyczynę
- Włącznik/wyłącznik
 - elektronarzędzie włączane/wyłączane jest poprzez wciśnięcie/zwolnienie włącznika/wyłącznika H ②
- Rozruch elektroniczny

Zapewnia osiągnięcie maksymalnej prędkości obrotowej bez szarpnięcia podczas rozruchu elektronarzędzia
- Blokada włącznika dla pracy ciągłej
 - wcisnąć włącznik/wyłącznik H
 - kciukiem wcisnąć przycisk J
 - zwalnianie blokady następuje poprzez ponowne wciśnięcie i zwolnienie włącznika/wyłącznika H
- Kontrola prędkości ⑧
 - pokrętło K umożliwia dokonanie bezstopniowego wyboru maksymalnej prędkości obrotowej od wartości minimalnych do maksymalnych (1-MAX)
 - uruchomić narzędzie przy pokrętle K ustawionym w położeniu 1 (niska prędkość)
 - w razie potrzeby można wybrać wyższą prędkość podczas pracy narzędzia
 - optymalna prędkość robocza zależy od materiału - należy ją ustalić metodą prób i błędów
- Obsługa narzędzia
 - włączyć narzędzie
 - przyłożyć dokładnie narzędzie do szlifowanej powierzchni i poruszać nim równymi odcinkami
 - każdy kolejny ruch powinien zachodzić na powolny obszar szlifowanego w poprzednim ruchu
 - nie należy zatrzymywać narzędzia w jednym miejscu, ponieważ może to spowodować spalenie powłoki

- nie należy poruszać narzędziem po okręgu, ponieważ może to spowodować powstanie plam lub spalenie powłoki
- ! **przed wyłączeniem narzędzia należy unieść je ponad obrabiany przedmiot**
- ! **po wyłączeniu elektronarzędzia tarcza obraca się jeszcze kilka sekund**
- Utrzymywanie i prowadzenie narzędzia ⑨
- ! **podczas pracy zawsze trzymać narzędzie za uchwyt(y) ograniczone szarym kolorem**
- zawsze należy mocno trzymać przyrząd obiema rękami, aby prowadzić je w sposób kontrolowany przez cały czas
- należy zachować bezpieczną postawę
- ! **nie należy naciskać na przyrząd z siłą powodującą unieruchomienie narzędzia**
- szczeliny wentylacyjne L ② powinny być odkryte

KONSERWACJA / SERWIS

- Urządzenie należy chronić przed uderzeniami, wstrząsami i działaniem tłustych substancji
- Zawsze dbać o czystość narzędzia i przewodu zasilającego (a szczególnie otworów wentylacyjnych L ②)
- ! **przed przystąpieniem do czyszczenia należy wyjąć wtyk z gniazda sieciowego**
- ! **nie czyścić elektronarzędzia wkładając ostre przedmioty w szczeliny wentylacyjne**
- Jeśli narzędzie, mimo dokładnej i wszechstronnej kontroli produkcyjnej ulegnie kiedykolwiek awarii, naprawę powinien przeprowadzić autoryzowany serwis elektronarzędzi firmy SKIL
- odesłać **nierozebrany** narzędzie, wraz z dowodem zakupu, do dealera lub do najbliższego punktu usługowego SKIL (adresy oraz diagram serwisowy narzędzenia znajdują się na stronach www.skil.com)

ŚRODOWISKO

- **Nie wyrzucaj elektronarzędzi, akcesoriów i opakowania wraz z odpadami z gospodarstwa domowego** (dotyczy tylko państw UE)
- zgodnie z Europejską Dyrektywą 2012/19/WE w sprawie zużytego sprzętu elektrotechnicznego i elektronicznego oraz dostosowaniem jej do prawa krajowego, zużyte elektronarzędzia należy posegregować i zutylizować w sposób przyjazny dla środowiska
- w przypadku potrzeby pozbycia się narzędzia, akcesoriów i opakowania - symbol ⑥ przypomni Ci o tym

HAŁASU / WIBRACJE

- Pomiarów dokonano zgodnie z normą EN 60745 ciśnienie akustyczne narzędzia wynosi 86 dB(A) zaś poziom mocy akustycznej 97 dB(A) (poziom odchylenie: 3 dB), zaś vibracje 8,5 m/s² (suma wektorowa z trzech kierunków; błąd pomiaru K = 1,5 m/s²)
- Poziom emisji vibracji został zmierzony zgodnie z testem standaryzowanym podanym w EN 60745; może służyć do porównania jednego narzędzia z innym i jako ocena

wstępna narażenia na vibracje w trakcie używania narzędzia do wymienionych zadań

- używanie narzędzia do innych zadań, lub z innymi albo źle utrzymanymi akcesoriami, może znacząco **zwiększyć** poziom narażenia
- przypadki, kiedy narzędzie jest wyłączone lub jest czynne, ale aktualnie nie wykonuje zadania, mogą znacząco **zmniejszyć** poziom narażenia
- ! **należy chronić się przed skutkami vibracji przez konserwację narzędzia i jego akcesoriów, zakładanie rękawic i właściwą organizację pracy**

UA

Полірувальна машина

9955

ВСТУП

- Даний інструмент призначений для полірування металевих і пластмасових поверхонь, поверхонь з покриттям, а також кам'яних матеріалів без використання води
- Прочитайте і збережіть цю Інструкцію з експлуатації ③

ТЕХНІЧНІ ДАНІ ①

ЕЛЕМЕНТИ ІНСТРУМЕНТА ②

- A Додаткова ручка
- B Додаткова ручка (тип D)
- C Шестигранный ключ
- D Шпинделя
- E Опорна накладка (VELCRO)
- F Кнопка блокування шпинделя
- G Вовняне полірувальне коло
- H Вимикач живлення
- J Ручка блокування вимикача
- K Маховик для регулювання максимальної швидкості обертання
- L Вентиляційні отвори

БЕЗПЕКА

ЗАГАЛЬНІ ВКАЗІВКИ З ТЕХНІКИ БЕЗПЕКИ ПОВОДЖЕННЯ З ЕЛЕКТРОІНСТРУМЕНТАМИ

⚠ ПОПЕРЕДЖЕННЯ Прочитайте всі вказівки з техніки безпеки, інструкції, ілюстрації та специфікації, надані з цим електроінструментом. Невиконання усіх поданих нижче інструкцій може призвести до ураження електричним струмом, пожежі і/або серйозної травми. **Добре зберігайте на майбутнє ці попередження і вказівки.** Під поняттям "електроприлад" в цих попередженнях мається на увазі електроприлад, що працює від мережі (з електрокабелем) або від акумуляторної батареї (без електрокабелю).

1) БЕЗПЕКА НА РОБОЧОМУ МІСЦІ

- а) **Примайте своє робоче місце в чистоті та прибирайте його.** Безлад або погане освітлення на

робочому місці можуть призводити до нещасних випадків.

- b) **Не працюйте з приладом у середовищі, де існує небезпека вибуху внаслідок присутності горючих рідин, газів або пилу.** Електроприлади можуть породжувати іскри, від яких може займатися пил або пари.
- c) **Під час працювання з приладом не підпускайте до робочого місця дітей та інших людей.** Ви можете втратити контроль над приладом, якщо Ваша увага буде відвернута.

2) ЕЛЕКТРИЧНА БЕЗПЕКА

- a) **Штепсель приладу повинен пасувати до розетки. Не дозволяється що-небудь міняти в штепселі.** Для роботи з приладами, що мають захисне заземлення, не використовуйте адаптери. Використання оригінального штепселя та належної розетки зменшує ризик удару електричним струмом.
- b) **Уникайте контакту частей тіла із заземленими поверхнями, як напр., трубами, батареями опалення, печами та холодильниками.** Коли Ваше тіло заземлене, існує збільшена небезпека удару електричним струмом.
- c) **Захищайте прилад від дощу та вологи.** Попадання води в електроінструмент збільшує ризик удару електричним струмом.
- d) **Не використовуйте кабель для перенесення приладу, підвішування або витягування штепселя з розетки.** Захищайте кабель від жару, олії, гострих країв та деталей приладу, що рухаються. Пошкоджений або закручений кабель збільшує ризик удару електричним струмом.
- e) **Для зовнішніх робіт обов'язково використовуйте лише такий подовжувач, що допущений для зовнішніх робіт.** Використання подовжувача, що розрахований на зовнішні роботи, зменшує ризик удару електричним струмом.
- f) **Якщо не можна запобігти використанню електроприладу у вологому середовищі, використовуйте пристрій захисту від витоку в землю.** Використання зростаючої захисту від витоку в землю зменшує ризик удару електричним струмом.

3) БЕЗПЕКА ЛЮДЕЙ

- a) **Будьте уважними, слідкуйте за тим, що Ви робите, та розсудливо поводьтеся під час роботи з електроприладом.** Не користуйтеся приладом, якщо Ви стомлені або знаходитесь під дією наркотиків, спиртних напоїв або лік. Мить неуважності при користуванні приладом може призводити до серйозних травм.
- b) **Вдягайте особисте захисне спорядження та обов'язково вдягайте захисні окуляри.** Вдягання особистого захисного спорядження, як напр., - в залежності від виду робіт - захисної маски, спецвзуття, що не новзається, каски або навушників, зменшує ризик травм.
- c) **Уникайте ненавмисного вмикання.** Перш ніж вмикати електроприлад в електромережу або встромляти акумуляторну батарею, брати його в руки або переносити, впевніться в тому, що електроприлад вимкнений. Тримання пальця на вимикачі під час перенесення електроприладу або

встромляння в розетку увімкненого приладу може призводити до травм.

- d) **Перед тим, як вмикати прилад, приборьте налагоджувальні інструменти та гайковий ключ.** Знаходження налагоджувального інструмента або ключа в деталі, що обертається, може призводити до травм.
 - e) **Не переоцінюйте себе. Зберігайте стійке положення та завжди зберігайте рівновагу.** Це дозволить Вам краще зберігати контроль над приладом у несподіваних ситуаціях.
 - f) **Вдягайте придатний одяг. Не вдягайте просторий одяг та прикраси. Не підставляйте волосся й одяг до деталей, що рухаються.** Просторий одяга, прикраси та довге волосся можуть попадати в деталі, що рухаються.
 - g) **Якщо існує можливість монтувати пилівідсмоктувальні або пилоуловлювальні пристрої, переконайтеся, щоб вони були добре під'єднані та правильно використовувалися.** Використання пилівідсмоктувального пристрою може зменшити небезпеки, зумовлені пилом.
 - h) **Добре знання електроінструментів, отримане в результаті частого їх використання, не повинно призводити до самовпевненості й ігнорування принципів техніки безпеки.** Необережна дія може в одну мить призвести до важкої травми.
- ## 4) ПРАВИЛЬНЕ ПОВОДЖЕННЯ ТА КОРИСТУВАННЯ ЕЛЕКТРОПРИЛАДАМИ
- a) **Не перевантажуйте прилад. Використовуйте такий прилад, що спеціально призначений для певної роботи.** З придатним приладом Ви з меншим ризиком отримаєте кращі результати роботи, якщо будете працювати в зазначеному діапазоні потужності.
 - b) **Не користуйтеся приладом з пошкодженим вимикачем.** Прилад, який не можна увімкнути або вимкнути, є небезпечним і його треба відремонтувати.
 - c) **Перед тим, як регулювати що-небудь на приладі, міняти приладдя або ховати прилад, витягніть штепсель із розетки та/або витягніть акумуляторну батарею, якщо вона знімається.** Ці попереджувальні заходи з техніки безпеки зменшують ризик ненавмисного запуску приладу.
 - d) **Зберігайте електроприлади, якими Ви саме не користуєтесь, далеко від дітей.** Не дозволяйте користуватися електроприладом особам, що не знайомі з його роботою або не читали ці вказівки. У разі застосування недосвідченими особами прилади несуть в собі небезпеку.
 - e) **Старанно доглядайте за електроінструментами і приладдям.** Перевірте, щоб рухомі деталі приладу бездоганно працювали та не заїдали, не були поламаними або настільки пошкодженими, щоб це могло вплинути на функціонування приладу. Пошкоджені деталі треба відремонтувати в авторизованій майстерні, перш ніж ними можна знову користуватися. Велика кількість нещасних випадків спричиняється поганим доглядом за електроприладами.

- f) **Тримайте різальні інструменти добре нагостреними та в чистоті.** Старанно доглянути різальні інструменти з гострим різальним краєм менше застряють та їх легше вести.
 - g) **Використовуйте електроприлади, приладдя до них, робочі інструменти т.і. відповідно до цих вказівок.** Беріть до уваги при цьому умови роботи та специфіку виконуваної роботи. Використання електроприладів для робіт, для яких вони не передбачені, може призводити до небезпечних ситуацій.
 - h) **Тримайте рукоятки і поверхні захвату сухими і чистими, слідуйте, щоб на них не було оливи або густо мастила.** Слизькі рукоятки і поверхні захвату унеможливають безпеку поводження з електроінструментом та його контролювання в неочікуваних ситуаціях.
- 5) СЕРВІС**
- a) **Віддавайте свій прилад на ремонт лише кваліфікованим фахівцям та лише з використанням оригінальних запчастин.** Це забезпечить безпеку приладу на довгий час.

ВКАЗІВКИ З ТЕХНІКИ БЕЗПЕКИ ДЛЯ ПОЛІРУВАЛЬНИХ МАШИН

- 1) **СПІЛЬНІ ПОПЕРЕДЖЕННЯ ПРИ ПОЛІРУВАННІ**
- a) **Цей електроприлад може використовуватися в якості полірувальної машини.** Зважайте на всі попередження, вказівки, зображення приладу і його технічні дані, що Ви їх отримали разом з електроприладом. Недодержання нижчеподаних вказівок може призводити до удару електричним струмом, пожежі і/або важких тілесних ушкоджень.
- b) **Не рекомендується застосовувати даний електроінструмент для виконання операцій шліфування, зачищення шліфувальною шліркою, очищення металевою щіткою або відрідзання.** Операції, для яких цей інструмент не призначений, можуть наражати на небезпеку і спричинити травми.
- c) **Не допускайте розхитання частин полірувального кожуха, зокрема, послаблення кріпильних шнурів.** Складіть або укоротіть кріпильні шнури. Слабкі кріпильні шнури, що обертаються разом з приладом, можуть зачепити Вам пальці або застрягти в оброблюваному матеріалі.
- d) **Використовуйте лише приладдя, що передбачене і рекомендоване виготовлювачем спеціально для цього електроприладу.** Сама лише можливість закріплення приладдя на Вашому електроприладі не гарантує його безпечне використання.
- e) **Допустима кількість обертів робочого інструмента повинна як мінімум відповідати максимальній кількості обертів, що зазначена на електроприладі.** Приладдя, що обертається швидше ніж допустимо, може бути зіпсоване.
- f) **Зовнішній діаметр і товщина робочого інструмента повинна відповідати параметрам Вашого електроприладу.** При неправильних розмірах робочого інструмента існує небезпека того, що робочий інструмент буде недостатньо

прикриватися та Ви можете втратити контроль над ним.

- g) **Вставні робочі інструменти з різьбою повинні точно пасувати до різьби шліфувального шпинделя.** У вставних робочих інструментах, які монтуються за допомогою фланця, діаметр отвору вставного робочого інструмента повинен пасувати до прийомного діаметра фланця. Вставні робочі інструменти, що не точно кріпляться на електро-інструменті, обертаються нерівномірно, сильно вібрують і можуть призвести до втрати контролю над ними.
- h) **Не використовуйте пошкоджені робочі інструменти.** Перед кожним використанням перевіряйте робочі інструменти, зокрема: шліфувальні круги на відламки та тріщини, тарічасті шліфувальні круги на тріщини, знос або сильне притуплення, дротяні щітки на розхитані або зламані дроти. Якщо електроприлад або робочий інструмент впав, перевірте, чи не пошкодився він, або використовуйте непошкоджені робочий інструмент. Після перевірки і монтажу робочого інструмента Ви самі і інші особи, що знаходяться поблизу, повинні стати так, щоб не знаходитися в площині робочого інструмента, що обертається, після чого увімкніть електроприлад на одну хвилину на максимальну кількість обертів. Пошкоджені робочі інструменти більше то ламаються під час такої перевірки.
- i) **Вдягайте особисте захисне спорядження.** В залежності від виду робіт використовуйте захисну маску, захист для очей або захисні окуляри. За необхідністю вдягайте респіратор, навушники, захисні рукавиці або спеціальний фартук, щоб захистити себе від невеличких частинок, що утворюються під час шліфування, та частинок матеріалу. Очі повинні бути захищені від відлетілих чужорідних тіл, що утворюються при різних видах робіт. Респіратор або маска повинні відфільтрувати пил, що утворюється під час роботи. При тривалій роботі при гучному шумі можна втратити слух.
- j) **Слідуйте за тим, щоб інші особи дотримувалися безпечної відстані від Вашої робочої зони.** Кожен, хто заходить у робочу зону, повинен мати особисте захисне спорядження. Уламки оброблюваного матеріалу або зламані робочих інструментів можуть відлітати та спричиняти тілесні ушкодження навіть за межами безпосередньої робочої зони.
- k) **При роботах, коли робочий інструмент може зачепити захвану електропроводку або власний шнур живлення, тримайте електроінструмент лише за ізольовані рукоятки.** Зачеплення проводки, що знаходиться під напругою, може заряджувати також і металеві частини електроінструмента та призводити до удару електричним струмом.
- l) **Тримайте шнур живлення на відстані від робочого інструмента, що обертається.** При втраті контролю над приладом може перерізатися або

- захопитися шнур живлення та Ваша рука може потрапити під робочий інструмент, що обертається.
- m) **Перш, ніж покласти електроприлад, зачекайте, поки робочий інструмент повністю не зупиниться.** Робочий інструмент, що ще обертається, може зачепити поверхню, на яку Ви його кладете, через що Ви можете втратити контроль над електроприладом.
- n) **Не залишайте електроприлад увімкнутим під час перенесення.** Ваш одяг може випадково потрапити в робочий інструмент, що обертається, та робочий інструмент може пробуравити Вас
- o) **Регулярно очищайте вентиляційні щілини Вашого електроприладу.** Вентилятор електромотора затягує пил у корпус, сильне накопичення металевого пилу може призвести до електричної небезпеки.
- p) **Не користуйтеся електроприладом поблизу від горючих матеріалів.** Такі матеріали можуть займатися від іскер.
- q) **Не використовуйте робочі інструменти, що потребують охолоджувальної рідини.** Використання води або іншої охолоджувальної рідини може призвести до удару електричним струмом.
- 2) СІПАННЯ ТА ВІДПОВІДНІ ПОПЕРЕДЖЕННЯ**
- Сіпання – це несподівана реакція приладу на зачеплення або застрявання робочого інструмента, що обертається, наприклад, шліфувального круга, тарілчастого шліфувального круга, дрітної щітки тощо. Зачеплення або застрявання призводить до різкої зупинки робочого інструмента, що обертається. В результаті електроприлад починає неконтрольовано рухатися з прискоренням проти напрямку обертання робочого інструмента в місці застрявання.
 - Якщо, наприклад, шліфувальний круг зачепиться або застряне в оброблюваному матеріалі, кромка шліфувального круга, якою той зайшов у оброблюваний матеріал, може застряти і, таким чином, шліфувальний круг може вискочити з оброблюваної поверхні або спінутися. В результаті шліфувальний круг починає рухатися в напрямку особи, що обслуговує прилад, або у протилежному напрямку, в залежності від напрямку обертання круга в місці застрявання. При цьому шліфувальний круг може переламатися.
 - Сіпання – це результат неправильної експлуатації або помилок при роботі з електроприладом. Йому можна запобігти за допомогою належних запобіжних заходів, що описані нижче.
- a) **Міцно тримайте електроприлад, тримайте своє тіло та руки у положенні, в якому Ви зможете протистояти сіпанню. Завжди використовуйте додаткову рукоятку (за її наявності), щоб бути в стані найкращим чином справитися з сіпанням і реактивними моментами при високій частоті обертання робочого інструмента.** З сіпанням та реактивними моментами можна справитися за умови придатних запобіжних заходів.
- b) **Ніколи не тримайте руку поблизу від робочого інструмента, що обертається.** При сіпанні робочий інструмент може відскочити Вам на руку.

- c) **Уникайте своїм корпусом місць, куди в разі сіпання може відскочити електроприлад.** При сіпанні електроприлад відскакує в напрямку, протилежному руху шліфувального круга в місці застрявання.
- d) **Працюйте з особливою обережністю в кутах, на гострих краях тощо. Запобігайте відскакуванню робочого інструмента від оброблюваного матеріалу та його заклинюванню.** В кутах, на гострих краях або при відскакуванні робочий інструмент може заклинюватися. Це призводить до втрати контролю або сіпання.
- e) **Не використовуйте ланцюгові пиляльні диски та пиляльні диски з зубцями.** Такі робочі інструменти часто спричиняють сіпання або втрату контролю над електроприладом.

ДОДАТКОВІ ВКАЗІВКИ З ТЕХНІКИ БЕЗПЕКИ

ЗАГАЛЬНЕ

- Використовуйте даний інструмент лише для сухого полірування
- Використовуйте тільки ті фланці, що поставляються з інструментом
- Цей інструмент не можна використовувати особам віком до 16 років
- **Перед регулюванням або заміною приладдя обов'язково вийміть вилку із сіткової розетки**
- **Не обробляйте матеріали, що містять асбест** (асбест вважається канцерогенним)

АНКСЕСУАРИ

- SKIL гарантує надійну роботу інструмента тільки при використанні відповідного приладдя, які можна отримати у Вашого дилера фірми SKIL
 - При установці/використанні насадок не від фірми SKIL, дотримуйтесь інструкцій відповідного заводу-виробника
 - Використовуйте лише приладдя, припустима швидкість обертання якого як мінімум відповідає найвищій швидкості інструмента без навантаження
 - Заборонено використання насадок з "глухим" отвором меншим, ніж M14 x 21 мм
 - Не використовуйте пошкоджене, деформоване або вібруюче приладдя
 - Поводьтесь та зберігайте аксесуари обережно
- ### ВИКОРИСТАННЯ ПОЗА ПРИМІЩЕННЯМ

- При роботі на дворі підключайте інструмент через запобіжник короткого замикання (FI) із максимальним пусковим струмом 30 мА та використовуйте подовжувач, призначений для зовнішніх робіт, що обладнаний захистом від бризів
- ### ПЕРЕД ВИКОРИСТАННЯМ

- Перед роботою перевірте відповідність струму в мережі із струмом, позначені на інструменті
- Завжди встановлюйте допоміжну рукоятку A ② або B ②; ніколи не використовуйте інструмент без неї
- Пил від таких матеріалів, як свинцовоутримуюча фарба, деякі породи дерева, мінерали й метал, може бути шкідливим (контакт із таким пилом або його вдихання може стати причиною виникнення в оператора або осіб, що перебувають поруч, алергічних реакцій і/або респіраторних захворювань); **надгайте респіратор і працюйте з**

пиловидаляючим пристроєм під час увімкнення інструмента

- Деякі види пилу класифікуються як канцерогенні (наприклад, дубовий або буковий пил), особливо в сполученні з добавками для кондиціонування деревини; **надягайте респіратор і працюйте з пиловидаляючим пристроєм під час увімкнення інструмента**
- Слідуйте інструкціям по роботі з матеріалами, продуцуючими пил
- **Зафіксуйте оброблювану деталь** (оброблювана деталь, зафіксована за допомогою затискних пристроїв або лещат, закріплюється краще, ніж вручну)
- Не затискайте інструмент у тисках
- Використовуйте повністю розгорнений шнур подовжувача, який може витримувати навантаження в 16 Ампер

ПІД ЧАС ВИКОРИСТАННЯ

- При роботі завжди міцно тримайте інструмент двома руками та займайте надійну позу
- Не дозволяйте шнуру живлення стикатися з рухомими частинами інструменту; завжди викладайте шнур за задньою частиною інструменту
- Якщо шнур пошкоджений або прорізаний при роботі, не доторкайтеся до нього і негайно витягніть його з розетки
- Ніколи не використовуйте інструмент з пошкодженим шнуром; його повинен замінити кваліфікований фахівець
- У разі електричної або механічної несправності, негайно відключіть інструмент і вимкніть з розетки
- У випадку припинення електропостачання, або при випадковому випаданню вилки з розетки, відпустіть вимикач Н ② для запобігання неочікуваного ввімкнення

ПІСЛЯ ВИКОРИСТАННЯ

- Перед тим як покласти інструмент, вимкніть двигун та переконайтесь, що всі його рухомі частини повністю зупинились
- Після вимкнення інструмента ніколи не намагайтесь зупинити обертання насадок за допомогою прикладання поперечної сили

ПОЯСНЕННЯ ДО УМОВНИХ ПОЗНАЧОК НА ІНСТРУМЕНТІ

- ③ Перед використанням прочитайте інструкцію із застосування
- ④ Одягайте захисні окуляри та засоби захисту волосся
- ⑤ Подвійна ізоляція (заземлюючий провід не потрібен)
- ⑥ Не викидайте інструмент разом зі звичайним сміттям

ВИКОРИСТАННЯ

- Встановлення допоміжних рукояток ⑦
! вийняти вилку з розетки
 - пригиніть додаткову ручку А справа або зліва інструменту (залежно від роботи, яку треба виконати)
 - встановіть допоміжну рукоятку В, як зображено на малюнку, і затягніть обидва гвинта, що додаються, ключем-шестигранником С

- Установлення насадок ②
! вийняти вилку з розетки
 - відчистіть шпindel D та всі деталі, що будуть встановлені
 - встановіть опорну накладку VELCRO Е за допомогою гвинтів на шпindel D, натискаючи кнопку блокування шпинделя F
- **! натисайте кнопку блокування шпинделя F тільки після повної зупинки шпинделя D**
 - просто притисніть ковпачок з овечої шерсті G до опорної накладки VELCRO Е
 - зняття насадок проводиться у зворотному порядку
- Перед використанням інструмента
 - упевніться, що приладдя правильно встановлене і міцно закріплене
 - перевірте чи приладдя вільно обертається при провертанні рукою
 - увімкніть для проби інструмент принаймні на 60 секунд на найвищих оборотах без навантаження, тримаючи його у безпечній позиції
 - негайно вимкніть інструмент у випадку значної вібрації або інших дефектів і перевірте інструмент щоб визначити причину
- Вмикання/вимикання
 - інструмент вмикається/вимикається натисканням/відпусканням гачка Н ②
- Електронний програмований старт Забезпечує плавне досягнення максимальної швидкості без різких поштовхів при включенні інструменту
- Блокування вимикача для тривалої роботи
 - потягнути за гачок Н
 - натиснути на ручку J великим пальцем
 - розблокувати вимикач, знову потягнувши за гачок Н і відпустивши його
- Регулятор швидкості ⑧
 - обертання маховиком К, максимальну швидкість обертання можна плавно відрегулювати від низької до високої (1-MAX)
 - встановивши поворотний регулятор К в положення 1 (низька швидкість), запустіть
 - якщо потрібно, виберіть більш високу швидкість під час роботи інструменту
 - оптимальна робоча швидкість залежить від матеріалу і може визначатися шляхом практичних випробувань
- Використання інструменту
 - увімкніть інструмент
 - приклавши інструмент цілком до поверхні, що має поліруватися, рівномірно пересувайте його ділянкою
 - кожний прохід має перекивати попередній наполовину
 - не затримуйтесь в будь-якому місці, щоб уникнути припінання покриття
 - не водіть інструмент колами, щоб запобігти появі плям або припінанню покриття
- **! перш ніж вимкнути інструмент, його треба відвести від оброблюваного виробу**
- **! різьба насадна продовжує обертатися ще декілька секунд після відключення інструменту**

- Утримування і робота інструментом ③
! **під час роботи, завжди тримайте інструмент за частини захвату сірого кольору**
- для забезпечення контролю над інструментом завжди тримайте його міцно, двома руками
- оберіть безпечне положення для роботи
- ! **не докладайте на інструмент надмірного зусилля, яке може викликати його заклинювання**
- тримайте вентиляційні отвори L ② **незакритами**

ДОГЛЯД/ОБСЛУГОВУВАННЯ

- Бережіть інструмент від ударів, струсів і бруду
- Завжди тримайте інструмент та його шнур в чистоті (особливо вентиляційні отвори L ②)
! **перед чисткою інструменту необхідно роз'єднати штепсельний роз'єм**
! **не намагайтесь виконувати чистку шляхом уводу через ці вентиляційні отвори гострих предметів**
- Якщо незважаючи на ретельну технологію виготовлення і перевірки інструмент все-таки вийде з ладу, його ремонт дозволяється виконувати лише в авторизованій сервісній майстерні для електроприладів SKIL
- надішліть **нерозібраний** інструмент разом з доказом купівлі до Вашого дилера або до найближчого центру обслуговування SKIL (адреси, а також діаграма обслуговування пристрою, подаються на сайті www.skil.com)

ОХОРОНА НАВКОЛИШНЬОЇ СЕРЕДИ

- **Не викидайте електроінструмент, належності та упаковку разом зі звичайним сміттям** (тільки для країн ЄС)
- відповідно до європейської директиви 2012/19/ЄС щодо утилізації старих електричних та електронних приладів, в залежності з місцевим законодавством, електроінструмент, який перебував в експлуатації повинен бути утилізований окремо, безпечно для навколишнього середовища шляхом
- малюнок ⑥ нагадає вам про це

ШУМ / ВІБРАЦІЯ

- Зміряний відповідно до EN 60745 рівень тиску звуку даного інструменту 86 дБ(А) і потужність звуку 97 дБ(А) (стандартне відхилення: 3 дБ), і вібрація 8,5 м/с² (векторна сума трьох напрямків; похибка K = 1,5 м/с²)
- Рівень вібрації було виміряно у відповідності зі стандартизованим випробуванням, що міститься в EN 60745; дана характеристика може використовуватися для порівняння одного інструмента з іншим, а також для попередньої оцінки впливу вібрації під час застосування даного інструмента для вказаних цілей
- при використанні інструмента в інших цілях або з іншими/несправними допоміжними пристосуваннями рівень впливу вібрації може значно **підвищуватися**

- у періоди, коли інструмент вимикнений або функціонує без фактичного виконання роботи, рівень впливу вібрації може значно **знижуватися**
- ! **захищайте себе від впливу вібрації, підтримуючи інструмент і його допоміжні пристосування в справному стані, підтримуючи руки в теплі, а також правильно організовуючи свій робочий процес**

GR

Στιλβωτική μηχανή

9955

ΕΙΣΑΓΩΓΗ

- Αυτό το εργαλείο προορίζεται για στίλβωση μετάλλου, πλαστικού και επιστρωμένων επιφανειών καθώς και για στίλβωση πέτρινων υλικών χωρίς τη χρήση νερού
- Διαβάστε και φυλάξτε αυτές τις οδηγίες χρήσεως ③

ΤΕΧΝΙΚΑ ΧΑΡΑΚΤΗΡΙΣΤΙΚΑ ①

ΜΕΡΗ ΤΟΥ ΕΡΓΑΛΕΙΟΥ ②

- A Βοηθητική λαβή
- B Βοηθητική λαβή (τύπο D)
- C Εξάγωνο κλειδί
- D Άτρακτος
- E Δίσκος συγκράτησης γυαλόχαρτου (VELCRO-αυτοκόλλητο)
- F Κουμπί ασφάλισης της άτρακτου
- G Καλύμμα από καθαρό μαλλί
- H Διακόπτης εκκίνησης/στάσης
- J Κουμπί ασφάλισης του διακόπτη Εκκίνησης/Στάσης
- K Τροχήσος ρύθμισης της μέγιστης ταχύτητας
- L Σχισμές αερισμού

ΑΣΦΑΛΕΙΑ

ΓΕΝΙΚΕΣ ΥΠΟΔΕΙΞΕΙΣ ΑΣΦΑΛΕΙΑΣ ΓΙΑ ΗΛΕΚΤΡΙΚΑ ΕΡΓΑΛΕΙΑ

ΠΡΟΕΙΔΟΠΟΙΗΣΗ Διαβάστε όλες τις υποδείξεις ασφαλείας, οδηγίες, εικονογραφήσεις και όλα τα τεχνικά στοιχεία, που συνοδεύουν αυτό το ηλεκτρικό εργαλείο. Αμέλειες κατά την τήρηση των ακόλουθων υποδείξεων μπορεί να προκαλέσουν ηλεκτροπληξία, πυρκαγιά και/ή σοβαρούς τραυματισμούς. **Φυλάξτε όλες τις υποδείξεις ασφαλείας και τις οδηγίες για το μέλλον.** Ο ορισμός "ηλεκτρικό εργαλείο" που χρησιμοποιείται στις προειδοποιητικές υποδείξεις αναφέρεται σε ηλεκτρικά εργαλεία που τροφοδοτούνται από το ηλεκτρικό δίκτυο (με ηλεκτρικό καλώδιο) καθώς και σε ηλεκτρικά εργαλεία που τροφοδοτούνται από μπαταρία (χωρίς ηλεκτρικό καλώδιο).

1) ΑΣΦΑΛΕΙΑ ΣΤΟ ΧΩΡΟ ΕΡΓΑΣΙΑΣ

- a) **Διατηρείτε το χώρο που εργάζεσθε καθαρό και καλά φωτισμένο.** Αταξία στο χώρο που εργάζεσθε ή μη φωτισμένες περιοχές εργασίας μπορεί να οδηγήσουν σε ατυχήματα.

- b) Μην εργάζεσθε με το ηλεκτρικό εργαλείο σε περιβάλλον που υπάρχει κίνδυνος έκρηξης, στο οποίο υπάρχουν εύφλεκτα υγρά, αέρια ή σκόνη. Τα ηλεκτρικά εργαλεία μπορεί να δημιουργήσουν σπινθηρισμό ο οποίος μπορεί να αναφλέξει τη σκόνη ή τις αναθυμιάσεις.
- c) Όταν χρησιμοποιείτε το ηλεκτρικό εργαλείο κρατάτε τα παιδιά κι άλλα τυχόν πρόσωπα μακριά από το χώρο που εργάζεσθε. Σε περίπτωση που άλλα άτομα αποσπάσουν την προσοχή σας μπορεί να χάσετε τον έλεγχο του μηχανήματος.
- 2) ΗΛΕΚΤΡΙΚΗ ΑΣΦΑΛΕΙΑ**
- a) Το φως του καλώδιου του ηλεκτρικού εργαλείου πρέπει να ταιριάζει στην αντίστοιχη πρίζα. Δεν επιτρέπεται με κανένα τρόπο η μετασκευή του φως. Μη χρησιμοποιείτε προσαρμοστικά φως σε συνδυασμό με ηλεκτρικά εργαλεία συνδεδεμένα με τη γη (γειωμένα). Αθικτα φως και κατάλληλες πρίζες μειώνουν τον κίνδυνο ηλεκτροπληξίας.
- b) Αποφεύγετε την επαφή του σώματος σας με γειωμένες επιφάνειες όπως σωλήνες, θερμαντικά σώματα (καλοριφέρ), κουζίνας και ψυγεία. Όταν το σώμα σας είναι γειωμένο αυξάνεται ο κίνδυνος ηλεκτροπληξίας.
- c) Μην εκθέτετε το ηλεκτρικό εργαλείο στη βροχή ή την υγρασία. Η διείσδυση νερού στο ηλεκτρικό εργαλείο αυξάνει τον κίνδυνο ηλεκτροπληξίας.
- d) Μη χρησιμοποιείτε το καλώδιο για να μεταφέρετε ή ν' αναρτήσετε το ηλεκτρικό εργαλείο ή για να βγάλετε το φως από την πρίζα. Κρατάτε το καλώδιο μακριά από υψηλές θερμοκρασίες, λάδια, κοφτερές ακμές ή κινούμενα εξαρτήματα. Τυχόν χαλασμένα ή υπερδεδεμένα καλώδια αυξάνουν τον κίνδυνο ηλεκτροπληξίας.
- e) Όταν εργάζεσθε με το ηλεκτρικό εργαλείο στο ύπαιθρο χρησιμοποιείτε πάντοτε καλώδια επιμήκυνσης (μπαλαντάζες) που έχουν εγκριθεί για χρήση σε εξωτερικούς χώρους. Η χρήση καλωδίων επιμήκυνσης εγκριμένων για εργασία σε εξωτερικούς χώρους μειώνει τον κίνδυνο ηλεκτροπληξίας.
- f) Όταν η χρήση του ηλεκτρικού εργαλείου σε υγρό περιβάλλον είναι αναπόφευκτη, τότε χρησιμοποιήστε έναν προστατευτικό διακόπτη διαρροής. Η χρήση ενός προστατευτικού διακόπτη διαρροής ελαττώνει τον κίνδυνο ηλεκτροπληξίας.
- 3) ΑΣΦΑΛΕΙΑ ΠΡΟΣΩΠΩΝ**
- a) Να είστε πάντοτε προσεκτικός/προσεκτική, να δίνετε προσοχή στην εργασία που κάνετε και να χειρίζεσθε το ηλεκτρικό εργαλείο με περίσκεψη. Μην κάνετε χρήση του ηλεκτρικού εργαλείου όταν είστε κουρασμένοι/κουρασμένη ή όταν βρίσκεσθε υπό την επήρση ναρκωτικών, οινοπνεύματος ή φαρμάκων. Μια στιγμήαία απροσεξία κατά το χειρισμό του ηλεκτρικού εργαλείου μπορεί να οδηγήσει σε σοβαρούς τραυματισμούς.
- b) Φοράτε προστατευτικά ενδύματα και πάντοτε προστατευτικά γυαλιά. Όταν φοράτε ενδύματα ασφαλείας, ανάλογα με το υπό χρήση ηλεκτρικό εργαλείο, όπως προσταπείδα προστασίας από σκόνη, αντιολισθητικά παπούτσια ασφαλείας, κράνη ή ωτασπίδες, μειώνεται ο κίνδυνος τραυματισμών.
- c) Αποφεύγετε την αθέλητη εκκίνηση. Βεβαιωθείτε ότι το ηλεκτρικό εργαλείο έχει αποζευχτεί πριν το συνδέσετε με το ηλεκτρικό δίκτυο ή/και με την μπαταρία καθώς και πριν το παραλάβετε ή το μεταφέρετε. Όταν μεταφέρετε το ηλεκτρικό εργαλείο έχοντας το δάχτυλό σας στο διακόπτη ή όταν συνδέσετε το μηχανήμα με την πηγή ρεύματος όταν αυτό είναι ακόμη συζευγμένο, τότε δημιουργείται κίνδυνος τραυματισμών.
- d) Αφαιρείτε από τα ηλεκτρικά εργαλεία πριν τα θέσετε σε λειτουργία τυχόν συναρμολογημένα χρησιμοποιήσιμα εργαλεία ή κλειδιά. Ένα εργαλείο ή κλειδί συναρμολογημένο στο περιστρεφόμενο εξάρτημα ενός ηλεκτρικού εργαλείου μπορεί να οδηγήσει σε τραυματισμούς.
- e) Μην υπερκτιμάτε τον εαυτό σας. Φροντίζετε για την ασφαλή στήριξη του σώματος σας και διατηρείτε πάντοτε την ισορροπία σας. Αυτό σας επιτρέπει τον καλύτερο έλεγχο το ηλεκτρικού εργαλείου σε περιπτώσεις απροσδόκητων καταστάσεων.
- f) Φοράτε κατάλληλη ενδυμασία εργασίας. Μη φοράτε φαρδιά ρούχα ή κοσμήματα. Κρατάτε τα μαλλιά και τα ρούχα σας μακριά από κινούμενα εξαρτήματα. Χαλαρή ενδυμασία, κοσμήματα και μακριά μαλλιά μπορεί να εμπλακούν στα κινούμενα εξαρτήματα.
- g) Αν υπάρχει η δυνατότητα συναρμολόγησης διατάξεων αναρρόφησης ή συλλογής σκόνης, βεβαιωθείτε αν οι διατάξεις αυτές είναι συνδεδεμένες καθώς κι αν χρησιμοποιούνται σωστά. Η χρήση μιας αναρρόφησης σκόνης μπορεί να ελαττώσει τον κίνδυνο που προκαλείται από τη σκόνη.
- h) Μην εφησυχάζετε σε μια λάθος ασφάλεια και μην αφήφατε τους κανόνες ασφαλείας για τα ηλεκτρικά εργαλεία, ακόμα και όταν μετά από συχνή χρήση είστε εξοικειωμένοι με το εργαλείο. Ένας απρόσεκτος χειρισμός μπορεί μέσα σε κλάσματα του δευτερολέπτου να οδηγήσει σε σοβαρούς τραυματισμούς.
- 4) ΧΡΗΣΗ ΚΙ ΕΠΙΜΕΛΗΣ ΧΕΙΡΙΣΜΟΣ ΤΩΝ ΗΛΕΚΤΡΙΚΩΝ ΕΡΓΑΛΕΙΩΝ**
- a) Μην υπερφορτώνετε το ηλεκτρικό εργαλείο. Χρησιμοποιείτε για την εκάστοτε εργασία σας το ηλεκτρικό εργαλείο που προορίζεται γι'αυτή. Με το κατάλληλο ηλεκτρικό εργαλείο εργάζεσθε καλύτερα και ασφαλέστερα στην αναφερόμενη περιοχή ισχύος.
- b) Μη χρησιμοποιήσετε ποτέ ένα ηλεκτρικό εργαλείο του οποίου ο διακόπτης ON/OFF είναι χαλασμένος. Ένα ηλεκτρικό εργαλείο το οποίο δεν μπορεί να τεθεί πλέον σε ή εκτός λειτουργίας είναι επικίνδυνο και πρέπει να επισκευαστεί.
- c) Τραβήξτε το φως από την πρίζα και/ή απομακρύνετε μια αποσπώμενη μπαταρία, προτού εκτελέσετε ρυθμίσεις στο ηλεκτρικό εργαλείο, προτού αλλάξετε εξαρτήματα ή φυλάξετε το ηλεκτρικό εργαλείο. Αυτά τα προληπτικά μέτρα ασφαλείας μειώνουν τον κίνδυνο από τυχόν αθέλητη εκκίνηση του ηλεκτρικού εργαλείου.
- d) Διαφυλάγεται τα ηλεκτρικά εργαλεία που δε χρησιμοποιείτε μακριά από παιδιά. Μην αφήνετε άτομα που δεν είναι εξοικειωμένα με το

- ηλεκτρικό εργαλείο ή δεν έχουν διαβάσει αυτές τις οδηγίες χρήσης να το χρησιμοποιήσουν. Τα ηλεκτρικά εργαλεία είναι επικίνδυνα όταν χρησιμοποιούνται από άπειρα πρόσωπα.
- e) **Φροντίστε τα ηλεκτρικά εργαλεία και τα εξάρτημα με επιμέλεια. Ελέγχετε, αν τα κινούμενα εξαρτήματα λειτουργούν άψογα, χωρίς να μπλοκάρουν, ή μήπως έχουν σπάσει ή φθαρεί τυχόν εξαρτήματα τα οποία επηρεάζουν τον τρόπο λειτουργίας του ηλεκτρικού εργαλείου. Δώστε αυτά τα χαλασμένα εξαρτήματα για επισκευή πριν τα ξαναχρησιμοποιήσετε.** Η κακή συντήρηση των ηλεκτρικών εργαλείων αποτελεί αιτία πολλών ατυχημάτων.
- f) **Διατηρείτε τα κοπτικά εργαλεία κοφτερά και καθαρά.** Τα κοπτικά εργαλεία που συντηρούνται με προσοχή μπορούν να οδηγηθούν εύκολα και να ελεγχθούν καλύτερα.
- g) **Χρησιμοποιείτε τα ηλεκτρικά εργαλεία, τα εξαρτήματα, τα χρησιμοποιήσιμα εργαλεία κτλ. σύμφωνα με τις παρούσες οδηγίες καθώς. Λαμβάνετε ταυτόχρονα υπόψη σας τις συνθήκες εργασίας και την υπό εκτέλεση εργασία.** Η χρήση του ηλεκτρικού εργαλείου για άλλες εκτός από τις προβλεπόμενες εργασίες μπορεί να δημιουργήσει επικίνδυνες καταστάσεις.
- h) **Διατηρείτε τις λαβές και επιφάνειες λαβής στεγνές, καθαρές και ελεύθερες από λάδι και γράσο.** Οι ολισθηρές λαβές και επιφάνειες λαβής δεν επιτρέπουν κανέναν ασφαλή χειρισμό και έλεγχο του ηλεκτρικού εργαλείου σε τυχόν απρόβλεπτες καταστάσεις.
- 5) ΣΕΡΒΙΣ**
- a) **Δίνετε το ηλεκτρικό σας εργαλείο για επισκευή από άριστα ειδικευμένο προσωπικό, μόνο με γνήσια ανταλλακτικά.** Έτσι εξασφαλίζεται η διατήρηση της ασφάλειας του ηλεκτρικού εργαλείου.

ΥΠΟΔΕΙΞΙΣ ΑΣΦΑΛΕΙΑΣ ΓΙΑ ΣΤΙΛΒΩΤΙΚΕΣ ΜΗΧΑΝΕΣ

1) ΚΟΙΝΕΣ ΠΡΟΕΙΔΟΠΟΙΗΤΙΚΕΣ ΑΠΟΔΕΙΞΙΣ ΓΙΑ ΣΤΙΛΒΩΣΗ

- a) **Αυτό το ηλεκτρικό εργαλείο πρέπει να χρησιμοποιείται για στίλβωση.** Να λαμβάνετε πάντοτε υπόψη σας όλες τις προειδοποιητικές υποδείξεις, τις οδηγίες, τις απεικονίσεις και τα στοιχεία που σας παραδίδονται μαζί με το ηλεκτρικό εργαλείο. Η μη τήρηση των οδηγιών που ακολουθούν, μπορεί να οδηγήσει σε ηλεκτροπληξία, φωτιά και/ή σε σοβαρούς τραυματισμούς.
- b) **Αυτό το ηλεκτρικό εργαλείο δεν συστήνεται για λειτουργίες τροχίσματος, λείανσης, βουρτσίσματος σύρματος ή κοπής.** Λειτουργίες για τις οποίες το ηλεκτρικό εργαλείο δεν έχει σχεδιαστεί μπορεί να δημιουργήσει κίνδυνο και να προκαλέσει τραυματισμό.
- c) **Ο σκούφος στίλβωσης και τα διάφορα εξαρτήματά του, ιδιαίτερα ο σπάγκος πρόσδεσης, δεν επιτρέπεται να είναι χαλαρά. Να σκεπάζετε ή να κοντύνετε το σπάγκο στερέωσης του σκούφου στίλβωσης.** Ένας χαλαρός, περιστρεφόμενος σπάγκος μπορεί να μερδεύσει στα δάχτυλά σας ή να εμπλακεί στο υπό καταργασία τεμάχιο.

- d) **Μη χρησιμοποιήσετε ποτέ εξαρτήματα που δεν προβλέπονται και δεν προτάθηκαν από τον κατασκευαστή ειδικά γι' αυτό το ηλεκτρικό εργαλείο.** Η διαπίστωση ότι μπορείτε να στερεώσετε ένα εξάρτημα στο ηλεκτρικό εργαλείο σας δεν εγγυάται την ασφαλή χρήση του.
- e) **Ο μέγιστος επιτρεπτός αριθμός στροφών του εργαλείου που χρησιμοποιείτε πρέπει να είναι τουλάχιστον τόσο υψηλός όσο ο μέγιστος αριθμός στροφών που αναφέρεται επάνω στο ηλεκτρικό εργαλείο.** Εξαρτήματα που περιστρέφονται με ταχύτητα μεγαλύτερη από την επιτρεπτή μπορεί να καταστραφούν.
- f) **Η εξωτερική διάμετρος και το πάχος του εργαλείου που χρησιμοποιείτε πρέπει να ανταποκρίνονται πλήρως στις αντίστοιχες διαστάσεις του ηλεκτρικού εργαλείου σας.** Εργαλεία με εσφαλμένες διαστάσεις δεν μπορούν να καλυφθούν ή να ελεγχθούν επαρκώς.
- g) **Εργαλεία με βιδωτή υποδοχή πρέπει να ταιριάζουν ακριβώς στο σπείρωμα του άξονα.** Στα εργαλεία που συναρμολογούνται με τη βοήθεια φλάντζας πρέπει η διάμετρος της τρύπας του εργαλείου να ταιριάζει στη διάμετρο της υποδοχής της φλάντζας. Εργαλεία που δεν μπορούν να στερεωθούν ακριβώς στο ηλεκτρικό εργαλείο περιστρέφονται ανομοιόμορφα, δονούνται ισχυρά και μπορεί να οδηγήσουν στην απώλεια του ελέγχου.
- h) **Μη χρησιμοποιείτε χαλασμένα εργαλεία.** Να ελέγχετε πάντοτε τα εργαλεία που πρόκειται να χρησιμοποιήσετε, π. χ. τους δίσκους κοπής για σπασίματα και ρωγμές, τους δίσκους λείανσης για ρωγμές, φθορές ή ξεφτίσματα και τις συρματόβουρτσες για χαλαρά ή σπασμένα σύρματα. Σε περίπτωση που το ηλεκτρικό εργαλείο ή κάποιο χρησιμοποιήσιμο εργαλείο πέσει κάτω, τότε ελέγξτε το εργαλείο μήπως έχει υποστεί κάποια βλάβη ή χρησιμοποιήστε ένα άλλο, άψογο εργαλείο. Μετά τον έλεγχο και την τοποθέτηση του εργαλείου που πρόκειται να χρησιμοποιήσετε πρέπει να απομακρύνετε τυχόν παρευρισκόμενα πρόσωπα από το επίπεδο περιστροφής του εργαλείου κι ακολούθως να αφήσετε το ηλεκτρικό εργαλείο να εργαστεί ένα λεπτό υπό το μέγιστο αριθμό στροφών χωρίς φορτίο. Τυχόν χαλασμένα εργαλεία σπάνε ως επί το πλείστον κατά τη διάρκεια αυτού του δοκιμαστικού χρόνου.
- i) **Χρησιμοποιείτε πάντοτε τη δική σας, ατομική προστατευτική ενδυμασία. Να χρησιμοποιείτε επίσης, ανάλογα με την εκάστοτε εργασία, προστατευτικές μάσκες, προστατευτικές διατάξεις ματιών ή προστατευτικά γυαλιά. Αν χρειαστεί, φορέστε και μάσκα προστασίας από τη σκόνη, ωτασπίδες, προστατευτικά γάντια ή μια ειδική προστατευτική ποδιά που θα σας προστατεύει από τυχόν εκσφενδονιζόμενα λειαντικά σωματίδια ή θραύσματα υλικού.** Τα μάτια πρέπει να προστατεύονται από τυχόν αιωρούμενα σωματίδια που μπορεί να δημιουργηθούν κατά την εκτέλεση των διάφορων εργασιών. Οι αναπνευστικές και οι προστατευτικές μάσκες πρέπει να φιλτράρουν

τον αέρα και να συγκρατούν τη σκόνη που δημιουργείται κατά την εργασία. Σε περίπτωση που εκτεθείτε για πολύ χρόνο σε ισχυρό θόρυβο μπορεί να απολέσετε την ακοή σας.

- γ) **Φροντίστε, τυχόν παρευρισκόμενα άτομα να βρίσκονται πάντοτε σε ασφαλή απόσταση από τον τομέα που εργάζεστε. Κάθε άτομο που παίζει στον τομέα που εργάζεστε πρέπει να φορά προστατευτική ενδυμασία.** Θραύσματα του υπό καταργασία τεμαχίου ή σπασμένων εργαλείων μπορεί να εκσφενδονιστούν και να προκαλέσουν τραυματισμούς ακόμη κι εκτός του άμεσου τομέα εργασίας.
- κ) **Να κρατάτε το ηλεκτρικό εργαλείο πάντοτε από τις μονωμένες επιφάνειες συγκράτησης όταν υπάρχει κίνδυνος το εργαλείο να έρθει σε επαφή με μη ορατούς ηλεκτροφόρους αγωγούς ή το ίδιο το καλώδιό του.** Η επαφή με έναν ηλεκτροφόρο αγωγό μπορεί να θέσει τα μεταλλικά μέρη του ηλεκτρικού εργαλείου επίσης υπό τάση και προκαλέσει έτσι ηλεκτροπληξία.
- λ) **Να οδηγείτε το ηλεκτρικό καλώδιο σε ασφαλή απόσταση από τα περιστρεφόμενα εργαλεία.** Σε περίπτωση που χάσετε τον έλεγχο του ηλεκτρικού εργαλείου το ηλεκτρικό καλώδιο μπορεί να κοπεί ή να περιπληχτεί και το χέρι σας ή το μπράτσο σας να τραβηχτεί επάνω στο περιστρεφόμενο εργαλείο.
- μ) **Μην αποθέσετε ποτέ το ηλεκτρικό εργαλείο πριν το εργαλείο πάψει εντελώς να κινείται.** Το περιστρεφόμενο εργαλείο μπορεί να έρθει σε επαφή με την επιφάνεια στην οποία ακουμπήσατε το ηλεκτρικό εργαλείο κι έτσι να χάσετε τον έλεγχο του μηχανήματος.
- ν) **Μην αφήσετε το ηλεκτρικό εργαλείο να εργάζεται όταν το μεταφέρετε.** Τα ρούχα σας μπορεί να τυλιχτούν τυχαίως από το περιστρεφόμενο εργαλείο και να τρυπήσει το κορμί σας.
- ο) **Να καθαρίζετε τακτικά τις σχισμές αερισμού του ηλεκτρικού εργαλείου σας.** Ο ανεμιστήρας του κινητήρα τραβάει σκόνη μέσα στο περιβλήμα και η συσσώρευση μεταλλικής σκόνης μπορεί να δημιουργήσει ηλεκτρικούς κινδύνους.
- π) **Μη χρησιμοποιείτε το ηλεκτρικό εργαλείο κοντά σε εύφλεκτα υλικά.** Ο σπινθηρισμός μπορεί να τα αναφλέξει.
- ρ) **Μη χρησιμοποιείτε εργαλεία που απαιτούν ψύξη με ψυκτικά υγρά.** Η χρήση νερού ή άλλων υγρών ψυκτικών μέσων μπορεί να οδηγήσει σε ηλεκτροπληξία.

2) ΚΛΟΤΣΗΜΑ ΚΑΙ ΣΧΕΤΙΚΕΣ ΠΡΟΕΙΔΟΠΟΙΗΤΙΚΕΣ ΥΠΟΔΕΙΞΕΙΣ

- Το κλότσημα είναι μια απροσδόκητη αντίδραση όταν το περιστρεφόμενο εργαλείο, π. χ. ο δίσκος κοπής, ο δίσκος λείανσης, η συρματοβούρτσα κτλ., προσκρούσει κάπου [σκοντάψει] ή μπλοκάρει. Έτσι, ένα τυχόν μη υπό έλεγχο ευρισκόμενο ηλεκτρικό εργαλείο αντιδρά στο σημείο μπλοκαρίσματος/πρόσκρουσης με σφοδρότητα και περιστρέφεται με συνεχώς αυξανόμενη ταχύτητα με φορά αντίθετη εκείνης του εργαλείου.
- Όταν π. χ. ένας δίσκος κοπής σφηνώσει ή μπλοκάρει μέσα στο υπό καταργασία υλικό, τότε η ακμή του

δίσκου που βυθίζεται μέσα στο υλικό μπορεί να στρεβλώσει και ακολούθως ο δίσκος κοπής να βγει με ορμή και ανεξέλεγκτα από το υλικό ή να προκαλέσει κλότσημα. Όταν συμβεί αυτό ο δίσκος κοπής κινείται με κατεύθυνση προς το χειριστή/τη χειρίστρια ή και αντίθετα, ανάλογα με τη φορά περιστροφής στο σημείο μπλοκαρίσματος. Σε τέτοιες περιπτώσεις δεν αποκλείεται και το σπάσιμο των δίσκων κοπής.

- Το κλότσημα είναι το αποτέλεσμα ενός εσφαλμένου ή ελλιπής χειρισμού του ηλεκτρικού εργαλείου και μπορεί να αποφευχθεί με λήψη κατάλληλων προληπτικών μέτρων, σαν αυτά που περιγράφονται παρακάτω.
- a) **Να κρατάτε το ηλεκτρικό εργαλείο πάντοτε καλά και να παίρνετε με το σώμα σας μόνο θέσεις, στις οποίες θα μπορούσατε να αποκρούσετε επιτυχώς ένα ενδεχόμενο κλότσημα. Να χρησιμοποιείτε πάντοτε την πρόσθετη λαβή, αν αυτή φυσικά υπάρχει, για να εξασφαλίσετε έτσι το μέγιστο δυνατό έλεγχο επί του ηλεκτρικού εργαλείου σε περίπτωση εμφάνισης αναστροφών και αντίρροπων δυνάμεων [π.] κατά την εκκίνηση.** Ο χειριστής/η χειρίστρια μπορεί να αντιμετωπίσει με επιτυχία τα κλοτσήματα και τις ανάστροφες ροπές.
- b) **Μη βάζετε ποτέ τα χέρια σας κοντά στα περιστρεφόμενα εργαλεία.** Σε περίπτωση κλοτσήματος το εργαλείο μπορεί να περάσει πάνω από το χέρι σας.
- c) **Μην παίρνετε με το σώμα σας θέσεις προς τις οποίες θα κινηθεί το ηλεκτρικό εργαλείο σε περίπτωση κλοτσήματος.** Κατά το κλότσημα το ηλεκτρικό εργαλείο κινείται ανεξέλεγκτα με κατεύθυνση αντίθετη προς τη φορά περιστροφής του λειαντικού εργαλείου.
- d) **Να εργάζεστε με ιδιαίτερη προσοχή σε γωνίες, κοφτερές ακμές κτλ.** Φροντίζετε το λειαντικό εργαλείο να μην ανατιναχτεί από το υπό καταργασία υλικό και να μη σφηνώσει σε αυτό. Το περιστρεφόμενο λειαντικό εργαλείο σφηνώνει εύκολα κατά την εργασία σε γωνίες και κοφτερές ακμές, ή όταν ανατιναχτεί. Αυτό προκαλεί κλότσημα ή απώλεια του ελέγχου.
- e) **Να μην χρησιμοποιείτε τσαπραζωμένες ή οδοντωτές πριονόλαμες.** Τα εργαλεία αυτά προκαλούν συχνά κλότσημα ή οδηγούν σε απώλεια του ελέγχου του ηλεκτρικού εργαλείου.

ΣΥΜΠΛΗΡΩΜΑΤΙΚΕΣ ΥΠΟΔΕΙΞΕΙΣ ΑΣΦΑΛΕΙΑΣ

ΓΕΝΙΚΑ

- Χρησιμοποιείτε αυτό το εργαλείο μόνο για ξηρό στίλβωμα
- Να χρησιμοποιείτε μόνο τις φλάντζες που παραδίδονται με το εργαλείο
- Αυτό το εργαλείο δεν πρέπει να χρησιμοποιείται από άτομα κάτω των 16 ετών
- **Πάντα να αποσυνδέεται την πρίζα από το ηλεκτρικό δίκτυο πριν κάνετε κάποια ρύθμιση ή αλλάξετε εξάρτημα**
- **Μην καταργάζετε υλικά που περιέχουν αμιάντο** (το αμιάντο θεωρείται σαν καρκινογόνο υλικό)

ΕΞΑΡΤΗΜΑΤΑ

- Η SKIL εγγυάται την τέλεια λειτουργία του εργαλείου μόνο όταν χρησιμοποιούνται σωστά εξάρτηματα, τα

οποία μπορείτε να προμηθευτείτε από το τοπικό κατάστημα διανομής εργαλείων SKIL

- Για τη συναρμολόγηση/χρήση εξαρτημάτων άλλου εργοστασίου, ακολουθήστε τις οδηγίες του σχετικού κατασκευαστή
- Χρησιμοποιείτε μόνο εξαρτήματα των οποίων ο ύψιστος επιτρεπτός αριθμός στροφών είναι τουλάχιστον τόσο υψηλός, όσο ο ύψιστος αριθμός στροφών χωρίς φορτίο του εργαλείου
- Ποτέ μην χρησιμοποιείτε εξαρτήματα με “τυφλή” οπή με σπείρωμα, μικρότερη από M14 x 21 χλστ
- Μην χρησιμοποιείτε ελαττωματικά, παραμορφωμένα ή δονούμενα εξαρτήματα
- Να μεταχειρίζεστε και αποθηκεύετε τα εξαρτήματα με προσοχή

ΥΠΑΙΘΡΙΑ ΧΡΗΣΗ

- Όταν χρησιμοποιείτε το εργαλείο στο ύπαιθρο, συνδέστε το χρησιμοποιώντας έναν διακόπτη ασφαλείας με μέγιστο όριο ενεργοποίησης 30 mA, και χρησιμοποιείτε μόνο καλώδιο προέκτασης ειδικό για υπαίθρια χρήση και εξοπλισμένο με αδιάβροχη πρίζα σύνδεσης

ΠΡΙΝ ΑΠΟ ΤΗ ΧΡΗΣΗ

- Βεβαιωθείτε ότι η τάση του παρεχόμενου ρεύματος είναι ίδια με την τάση που υποδεικνύεται στην πινακίδα δεδομένων του εργαλείου
- Θα πρέπει πάντοτε να τοποθετείτε την πλευρική λαβή A ② ή B ②; μη χρησιμοποιείται ποτέ το εργαλείο χωρίς αυτήν
- Η σκόνη από υλικά όπως μολύβδος, ορισμένα είδη ξύλου, ανόργανα στοιχεία και μέταλλα μπορεί να είναι επιβλαβής (η επαφή ή η εισπνοή της σκόνης μπορεί να προκαλέσει αλλεργικές αντιδράσεις ή/και αναπνευστικές ασθένειες στον χειριστή ή σε άτομα που παρίστανται) - **να φοράτε προσωπίδα προστασίας από τη σκόνη και να εργάζεστε με συσκευή αφαίρεσης σκόνης όταν είναι δυνατό**
- Ορισμένα είδη σκόνης ταξινομούνται ως καρκινογόνα (όπως η σκόνη από τη δρυ ή την οξιά) ιδιαίτερα σε συνδυασμό με πρόσθετα συντήρησης ξύλου - **να φοράτε προσωπίδα προστασίας από τη σκόνη και να εργάζεστε με συσκευή αφαίρεσης σκόνης όταν είναι δυνατό**
- Ακολουθήστε τις σχετικές με σκόνη εθνικές διατάξεις για τα υλικά που θέλετε να εργαστείτε
- **Στερεώστε το κομμάτι εργασίας** (το κομμάτι εργασίας συγκρατείται καλύτερα με σφιγκτήρες ή σε μέγγενη παρά με το χέρι)
- Μην σφίγγετε το εργαλείο σε μέγγενη
- Χρησιμοποιείτε ασφαλείς, τελείως ξετυλιγμένες προεκτάσεις καλωδίου με χωρητικότητα 16 Amps

ΚΑΤΑ ΤΗ ΧΡΗΣΗ

- Κατά την εργασία να κρατάτε πάντοτε το εργαλείο σφιχτά με τα δύο χέρια και φροντίστε να στέκεστε σταθερά
- Να κρατάτε πάντα το καλώδιο μακριά από τα κινούμενα μέρη του εργαλείου σας - κρατάτε το καλώδιο προς τα πίσω, μακριά από το εργαλείο
- Σε περίπτωση που υποστεί βλάβη ή κοπεί το καλώδιο κατά την εργασία, μην αγγίζετε το καλώδιο, αλλά αποσυνδέστε αμέσως το φως από την πρίζα

- Ποτέ μη χρησιμοποιείτε το εργαλείο όταν έχει υποστεί βλάβη το καλώδιο - το καλώδιο θα πρέπει να αντικατασταθεί από έναν εξειδικευμένο τεχνίτη
- Σε περίπτωση ηλεκτρικής ή μηχανικής δυσλειτουργίας, σταματήστε αμέσως το εργαλείο και βγάλτε το από την πρίζα
- Σε περίπτωση που διακοπεί το ρεύμα ή βγει το φως από την πρίζα, αφήστε τον διακόπτη Η ② για να αποφύγετε την ακούσια επανενεργοποίηση του εργαλείου

ΜΕΤΑ ΤΗ ΧΡΗΣΗ

- Πριν ακουμπήσετε κάτω το εργαλείο, σβήστε το μοτέρ και βεβαιωθείτε ότι όλα τα κινούμενα μέρη έχουν σταματήσει τελείως
- Μετά το σβήσιμο του εργαλείου, μην σταματάτε την περιστροφή του εξαρτήματος εφαρμόζοντας πλάγια δύναμη σ' αυτό

ΕΠΕΞΗΓΗΣΗ ΤΩΝ ΣΥΜΒΟΛΩΝ ΣΤΟ ΕΡΓΑΛΕΙΟ

- ③ Διαβάστε το εγχειρίδιο οδηγιών πριν από τη χρήση
- ④ Να φοράτε προστατευτικά γυαλιά και προστατευτικά μέσα ακοής
- ⑤ Διπλή μόνωση (δεν απαιτείται καλώδιο γείωσης)
- ⑥ Μην πετάτε το εργαλείο στον κάδο οικιακών απορριμμάτων

ΧΡΗΣΗ

- Τοποθέτηση των πλευρικών λαβών ⑦
 - ! **βγάλτε το φως από την πρίζα**
 - βιδώστε την πλευρική λαβή A στη δεξιά ή την αριστερή πλευρά του εργαλείου (ανάλογα με την εργασία που έχετε να κάνετε)
 - τοποθετήστε την πλευρική λαβή B όπως φαίνεται στην εικόνα και σφίξτε και τις δύο βίδες που παρέχονται με το εξάγωνο κλειδί C
- Τοποθέτηση εξαρτημάτων ②
 - ! **βγάλτε το φως από την πρίζα**
 - καθαρίστε την άτρακτο D και όλα τα εξαρτήματα που πρόκειται να συναρμολογηθούν
 - βιδώστε το δίσκο συγκράτησης από VELCRO E επάνω στον άξονα D πιέζοντας ταυτόχρονα το κουμπί ασφάλισης της άτρακτου F
 - ! **πιέστε το κουμπί ασφάλισης της άτρακτου F μόνο όταν είναι σταματημένη η άτρακτος D**
 - απλά πιέστε το σκουφάκι G επάνω στο δίσκο συγκράτησης από VELCRO E
 - για την αφαίρεση των εξαρτημάτων, εργαστείτε στην αντίστροφη σειρά
- Προτού χρησιμοποιήσετε το εργαλείο
 - βεβαιωθείτε ότι το εξάρτημα έχει τοποθετηθεί σωστά και έχει σφιχτεί στη θέση του
 - ελέγξτε ότι το εξάρτημα λειτουργεί ανεμπόδιστα περιστρέφοντάς το με το χέρι
 - δοκιμάστε το εργαλείο τουλάχιστον για 60 δευτερόλεπτα δουλεύοντάς το στη μέγιστη ταχύτητα χωρίς φορτίο, από ασφαλή θέση
 - σταματήστε αμέσως το εργαλείο σε περίπτωση σοβαρής δόνησης ή άλλης ελαττωματικής λειτουργίας και ελέγξτε το για να εξακριβωθεί η αιτία
- Εκκίνηση/Σταση
 - ξεκινάτε/σταματάτε το εργαλείο σας τραβώντας/απελευθερώνοντας την σκανδάλη Η ②

- Ηλεκτρονικός έλεγχος ομαλής εκκίνησης
Εξασφαλίζει ομαλή αύξηση στη μέγιστη ταχύτητα λειτουργίας, χωρίς απότομο "κλώτσημα", όταν μπαίνει σε λειτουργία το εργαλείο
- Ασφάλιση του διακόπτη για συνεχή λειτουργία
 - τραβήξτε τη σκανδάλη H
 - πιέστε το κουμπί J με τον αντίχειρα
 - απασφalίζετε το διακόπτη τραβώντας πάλι τη σκανδάλη H και μετά απελευθερώνοντας την
- Έλεγχος ταχύτητας ⑥
 - με τον τροχίσκο K μπορεί να ρυθμιστεί η μέγιστη ταχύτητα από τη χαμηλή στη υψηλή αδιαβαθμια (1-MAX)
 - ξεκινήστε με τον τροχίσκο K στη θέση 1 (χαμηλότερη ταχύτητα)
 - εάν χρειαστεί, επιλέξτε μία μεγαλύτερη ταχύτητα ενώ το εργαλείο λειτουργεί
 - η βέλτιστη ταχύτητα εργασίας εξαρτάται από το υλικό και μπορεί να καθοριστεί με δοκιμές στην πράξη
- Χειρισμός του εργαλείου
 - ενεργοποιήστε το εργαλείο
 - τοποθετήστε το εργαλείο εντελώς επάνω στην επιφάνεια για στίλβωση και μετακινήστε το ομοιόμορφα ανά τμήματα
 - μία κίνηση πρέπει να υπερκαλύψει την προηγούμενη κίνηση κατά το ήμισυ
 - μη σταματάτε σε ένα μεμονωμένο σημείο για να αποφύγετε το κάψιμο του επιστρώματος
 - μην μετακινείτε το εργαλείο σε κύκλους για να αποφύγετε τους λεκέδες ή το κάψιμο του επιστρώματος
- ! **προτού σταματήσετε το εργαλείο πρέπει να το ανασηκώσετε από το καταργαζόμενο κομμάτι**
- ! **το εξάρτημα συνεχίζει να περιστρέφεται για σύντομο χρονικό διάστημα μετά τη διακοπή λειτουργίας του εργαλείου**
- Πώς να κρατάτε και να οδηγείτε το εργαλείο ②
 - ! **ενώ εργάζεστε, να κρατάτε πάντα το εργαλείο από τη/τις λαβή/ές με γκρι χρώμα**
 - κρατάτε το εργαλείο σφιχτά και σταθερά με τα δυο σας χέρια, ώστε να έχετε τον πλήρη έλεγχο του εργαλείου ανά πάσα στιγμή
 - φροντίστε ώστε να στέκεστε σταθερά
 - ! **μην ασκείτε τόσο μεγάλη δύναμη στο εργαλείο ώστε να σταματήσει να κινείται**
 - κρατάτε τις σχισμές αερισμού L ② ακάλυπτες

ΣΥΝΤΗΡΗΣΗ / ΣΕΡΒΙΣ

- Προστατέψτε το εργαλείο από κραδασμούς, δονήσεις και γράσα
- Κρατάτε πάντοτε το εργαλείο και το καλώδιο καθαρά (και ιδιαίτερα τις θυρίδες αερισμού L ②)
 - ! **αφαιρέστε την πρίζα πριν το καθάρισμα**
 - ! **μην επιχειρήσετε καθαρισμό βάζοντας αιχμηρά αντικείμενα μέσα στις σχισμές αερισμού**
- Αν παρ' όλες τις επιμελημένες μεθόδους κατασκευής κι ελέγχου το εργαλείο σταματήσει κάποτε να λειτουργεί, τότε η επισκευή του πρέπει να ανατεθεί σ' ένα εξουσιοδοτημένο συνεργείο για ηλεκτρικά εργαλεία της SKIL

- στείλτε το εργαλείο **χωρίς να το απουσαρμολογήσετε** μαζί με την απόδειξη αγοράς στο κατάστημα από το οποίο το αγοράσατε ή στον πλησιέστερο σταθμό τεχνικής εξυπηρέτησης της SKIL (θα βρείτε τις διευθύνσεις και το διάγραμμα συντήρησης του εργαλείου στην ιστοσελίδα www.skil.com)

ΠΕΡΙΒΑΛΛΟΝ

- **Μην πετάτε τα ηλεκτρικά εργαλεία, εξαρτήματα και συσκευασία στον κάδο οικιακών απορριμμάτων** (μόνο για τις χώρες της ΕΕ)
 - σύμφωνα με την ευρωπαϊκή οδηγία 2012/19/EK περί ηλεκτρικών και ηλεκτρονικών συσκευών και την ενσωμάτωσή της στο εθνικό δίκαιο, τα ηλεκτρικά εργαλεία πρέπει να συλλέγονται ξεχωριστά και να επιστρέφονται για ανακύκλωση με τρόπο φιλικό προς το περιβάλλον
 - το σύμβολο ⑥ θα σας το θυμήσει αυτό όταν έλθει η ώρα να πετάξετε τις

ΘΟΡΥΒΟΣ / ΚΡΑΔΑΣΜΟΣ

- Μετρημένη σύμφωνα με EN 60745 η στάθμη ακουστικής πίεσης αυτού του εργαλείου ανέρχεται σε 86 dB(A) και η στάθμη ηχητικής ισχύος σε 97 dB(A) (κοινή απόκλιση: 3 dB), και ο κραδασμός σε 8,5 m/s² (άθροισμα ανυσμάτων τριών κατευθύνσεων - ανασφάλεια K = 1,5 m/s²)
- Το επίπεδο παραγωγής κραδασμών έχει μετρηθεί σύμφωνα με μια τυποποιημένη δοκιμή που αναφέρεται στο πρότυπο EN 60745 - μπορεί να χρησιμοποιηθεί για τη σύγκριση ενός εργαλείου με ένα άλλο, καθώς και ως προκαταρκτική αξιολόγηση της έκθεσης στους κραδασμούς όταν το εργαλείο χρησιμοποιείται για τις εφαρμογές που αναφέρονται
 - η χρήση του εργαλείου για διαφορετικές εφαρμογές ή με διαφορετικά ή κακοσυντηρημένα εξαρτήματα μπορεί να **αυξήσει** σημαντικά το επίπεδο έκθεσης
 - όταν το εργαλείο είναι απενεργοποιημένο ή δουλεύει αλλά δεν εκτελεί την εργασία, το επίπεδο έκθεσης μπορεί να **μειωθεί** σημαντικά
- ! **προστατευτείτε από τις επιδράσεις των κραδασμών συντηρώντας σωστά το εργαλείο και τα εξαρτήματά του, διατηρώντας τα χέρια σας ζεστά και οργανώνοντας τον τρόπο εργασίας σας**

RO

Mașină de lustruit

9955

INTRODUCERE

- Această sculă este destinată pentru lustruirea metalului, plasticului și suprafețelor vopsite, precum și pentru lustruirea suprafețelor din piatră fără utilizarea apei
- Citiți și păstrați acest manual de instrucțiuni ③

DATE TEHNICE ①

ELEMENTELE SCULEI ②

- A Măner auxiliar
- B Măner auxiliar (tip D)
- C Cheia hexagonală
- D Axul
- E Platou de șlefuit (VELCRO)
- F Buton de blocare a axului
- G Husă de lână
- H Întrerupător pornit/oprit
- J Buton de blocare a întrerupătorului pornit/oprit
- K Rotiță pentru reglajul vitezei maxime
- L Fantele de ventilație

SIGURANȚA

INSTRUCȚIUNI GENERALE DE SIGURANȚĂ PENTRU SCULE ELECTRICE

⚠ AVERTISMENT Citiți toate avertizările, instrucțiunile, ilustrațiile și specificațiile puse la dispoziție împreună cu această sculă electrică. Nerespectarea instrucțiunilor menționate mai jos poate duce la electrocutare, incendiu și/ sau vătămări corporale grave. **Păstrați toate avertizările și instrucțiunile în vederea consultării ulterioare.** Termenul de "sculă electrică" folosit în indicațiile de avertizare se referă la sculele electrice alimentate de la rețea (cu cablu de alimentare) și la sculele electrice cu acumulator (fără cablu de alimentare).

1) SIGURANȚA LA LOCUL DE MUNCĂ

- a) **Păstrați-vă locul de muncă curat și bine iluminat.** Dezordinea la locul de muncă sau existența unor sectoare de lucru neiluminate poate duce la accidente.
- b) **Nu folosiți mașina în medii cu pericol de explozie, acolo unde există lichide, gaze sau pulberi inflamabile.** Sculele electrice pot produce scântei care să aprindă pulberile sau vaporii.
- c) **Nu permiteți accesul copiilor și al altor persoane în timpul lucrului cu mașina.** Dacă vi se distrage atenția puteți pierde controlul asupra mașinii.

2) SECURITATE ELECTRICĂ

- a) **Ștecherul de racordare a mașinii trebuie să se potrivească cu priza de alimentare. Nu este permisă în nici-un caz modificarea ștecherului. Nu folosiți adaptoare pentru ștechere la mașinile legate la pământ.** Ștecherele nemodificate și prizele de curent adecvate acestora reduc riscul de electrocutare.
- b) **Evitați contactul corporal cu suprafețe legate la pământ ca țevi, radiatoare, plite electrice și frigider.** Există un risc crescut de electrocutare atunci când corpul dv. este și el legat la pământ.
- c) **Nu lăsați mașina afară în ploaie sau în mediu umed.** Riscul de electrocutare crește atunci când într-o sculă electrică pătrunde apă.
- d) **Nu trageți niciodată mașina de cordonul de alimentare pentru a o transporta, a o atârna sau a scoate ștecherul din priza de curent. Feriți cordonul de alimentare de căldură, ulei, muchi ascuțiți sau de subansamble aflate în mișcare.** Un cordon de alimentare deteriorat sau înfășurat mărește riscul de electrocutare.

- e) **Atunci când lucrați cu scula electrică în aer liber, folosiți numai cordoane prelungitoare autorizate pentru exterior.** Întrebuințarea unui cordon prelungitor adecvat utilizării în aer liber reduce riscul de electrocutare.
- f) **Atunci când nu poate fi evitată utilizarea sculei electrice în mediu umed, folosiți un întrerupător de circuit cu împământare.** Folosirea unei întrerupător de circuit cu împământare reduce riscul de electrocutare.

3) SECURITATEA PERSOANELOR

- a) **Fiți vigilenți, fiți atenți la ceea ce faceți și procedați rațional atunci când lucrați cu scula electrică. Nu folosiți mașina dacă sunteți oboseți sau vă aflați sub influența drogurilor, alcoolului sau a medicamentelor.** Un moment de neatenție în timpul lucrului cu mașina poate duce la răni grave.
 - b) **Purtați echipament de protecție personală și întotdeauna ochelari de protecție.** Folosirea echipamentelor de protecție a persoanei ca mască de protecție împotriva prafului, încălțăminte antiderapantă, cască de protecție sau aparat de protecție auditivă, în funcție de tipul și domeniul de folosire al sculei electrice, reduce riscul răniilor.
 - c) **Evitați o punere în funcțiune involuntară. Înainte de a introduce ștecherul în priză și/sau de a introduce acumulatorul în scula electrică, de a o ridica sau de a o transporta, asigurați-vă că aceasta este oprită.** Dacă atunci când transportați scula electrică țineți degetul pe întrerupător sau dacă porniți scula electrică înainte de a o racorda la rețeaua de curent, puteți provoca accidente.
 - d) **Înainte de a pune mașina în funcțiune scoateți afară cheile reglabile și fixe.** O cheie reglabilă sau fixă, aflată într-o componentă de mașină care se rotește, poate provoca răni.
 - e) **Nu vă supraapreciați. Asigurați-vă o poziție stabilă și păstrați-vă întotdeauna echilibrul.** Astfel veți putea controla mai bine mașina în situații neașteptate.
 - f) **Purtați îmbrăcăminte de lucru adecvată. Nu purtați haine largi sau podoabe. Feriți părul și îmbrăcăminte de piesele aflate în mișcare.** Îmbrăcăminte largă, podoabe și părul lung pot fi prinse de piesele aflate în mișcare.
 - g) **Dacă există posibilitatea montării de echipamente și instalații de aspirare și colectare a prafului, asigurați-vă că acestea sunt conectate și folosite corect.** Folosirea unei instalații de aspirare a prafului poate duce la reducerea poluării cu praf.
 - h) **Nu vă lăsați amăgiți de ușurința în operare dobândită în urma folosirii frecvente a sculelor electrice și nu ignorați principiile de siguranță ale acestora.** Neglijența poate provoca, într-o fracțiune de secundă, vătămări corporale grave
- #### 4) MANEVRAȚI ȘI FOLOSIȚI CU GRIJĂ SCULELE ELECTRICE
- a) **Nu suprasolicitați mașina. Folosiți scula electrică destinată executării lucrării dumneavoastră.** Cu scula electrică potrivită lucrați mai bine și mai sigur în domeniul de putere specificat.
 - b) **Nu folosiți scula electrică dacă are întrerupătorul defect.** O sculă electrică, care nu mai poate fi pornită sau oprită este periculoasă și trebuie reparată.

- c) **Scoateți ștecherul afară din priză și/sau îndepărtați acumulatoru dacă este detașabil, înainte de a executa reglaje, a schimba accesoriul sau a depozita scula electrică.** Această măsură preventivă reduce riscul unei porniri involuntare a mașinii.
- d) **În caz de nefolosire păstrați mașinile la loc inaccesibil copiilor. Nu permiteți persoanelor care nu sunt familiarizate cu mașina sau care n-au citit prezentele instrucțiuni, să folosească mașina.** Suclele electrice sunt periculoase atunci când sunt folosite de persoane fără experiență.
- e) **Întrețineți sculele electrice și accesoriile acestora. Controlați dacă componentele mobile funcționează corect și dacă nu se blochează, dacă nu există piese defecte sau deteriorate, care să afecteze funcționarea mașinii. Înainte de a repune în funcțiune mașina, duceți-o la un atelier de asistență service pentru repararea sau înlocuirea pieselor deteriorate.** Multe accidente s-au datorat întreținerii defectuoase a sculelor electrice.
- f) **Păstrați accesoriile bine ascuțite și curate.** Accesoriile atent întreținute, cu muchii tăietoare bine ascuțite se blochează mai greu și pot fi conduse mai ușor.
- g) **Folosiți sculele electrice, accesoriile, dispozitivele de lucru etc. conform prezentelor instrucțiuni. Țineți seama de condițiile de lucru și de lucrarea care trebuie executată.** Întrebuințarea unor scule electrice destinate altor utilizări decât cele preconizate, poate duce la situații periculoase.
- h) **Mențineți mânerul și zonele de prindere uscate, curate și feriți-le de ulei și unsoare.** Mânerul și zonele de prindere alunecoase nu permit manevrarea și controlul sigur al sculei electrice în situații neașteptate.

5) SERVICIU

- a) **Permiteți repararea mașinii dumneavoastră numai de către un specialist calificat și numai cu piese de schimb originale.** În acest mod este garantată menținerea siguranței de exploatare a mașinii.

INSTRUCȚIUNI DE SIGURANȚĂ PENTRU MAȘINILE DE LUSTRUIT

1) INDICAȚII DE AVERTIZARE COMUNE PENTRU LUSTRIURE

- a) **Această sculă electrică se va folosi ca mașină de lustruire.** Respectați toate avertismentele, instrucțiunile, reprezentările și datele primite împreună cu scula electrică. În cazul în care nu veți respecta următoarele instrucțiuni, se poate ajunge la electrocutare, incendii și/ sau răni grave.
- b) **Această mașină electrică nu este recomandată pentru operațiuni de șlefuire, sablare, prelucrare a suprafețelor cu peria de sârmă sau tăiere.** Operațiunile pentru care această mașină electrică nu a fost proiectată pot implica pericole și cauza accidente.
- c) **Nu lăsați să atârne liber porțiuni ale discului de lustruit, în special șnururile de prindere ale acestuia. Îndepărtați sau scurtați șnururile de prindere.** Șnururile de prindere care atârnă liber, rotindu-se împreună cu discul de lustruit vă pot apuca degetele sau se pot agăța în piesa de lucru.

- d) **Nu folosiți accesoriul care nu au fost prevăzute și recomandate în mod special de către producător pentru această sculă electrică.** Faptul în sine că accesoriul respectiv poate fi montat pe scula dumneavoastră electrică, nu garantează în nici un caz utilizarea lui sigură.
- e) **Turația admisă a dispozitivului de lucru trebuie să fie cel puțin egală cu turația nominală specificată pe scula electrică.** Un accesoriu care se rotește mai repede decât este admis, se poate distruge.
- f) **Diametrul exterior și grosimea dispozitivului de lucru trebuie să corespundă datelor dimensionale ale sculei dumneavoastră electrice.** Dispozitivele de lucru greșit dimensionate nu pot fi protejate sau controlate în suficientă măsură.
- g) **Accesoriile prevăzute cu inserție filetată trebuie să se potrivească exact pe filetul arborelui de polizat. La accesoriile montate prin flanșe, diametrul găurii accesoriului trebuie să se potrivească cu diametrul de prindere al flanșei.** Accesoriile care nu sunt fixate exact la scula electrică, se rotește neuniform, vibrează foarte puternic și pot duce la pierderea controlului.
- h) **Nu folosiți dispozitive de lucru deteriorate. Înainte de utilizare controlați dacă dispozitivele de lucru ca discurile de șlefuit nu sunt sparte sau fisurate, dacă discurile abrazive nu sunt fisurate, uzate sau tocite puternic, dacă perile de sârmă nu prezintă fire deprinsse sau rupte. Dacă scula electrică sau dispozitivul de lucru cade pe jos, verificați dacă nu cumva s-a deteriorat sau folosiți un dispozitiv de lucru nedeteriorat. După ce ați controlat și montat dispozitivul de lucru, țineți persoanele aflate în preajmă în afara planului de rotație al dispozitivului de lucru, și lăsați scula electrică să funcționeze un minut la turația nominală.** De cele mai multe ori, dispozitivele de lucru deteriorate se rup în această perioadă de probă.
- i) **Purtați echipament personal de protecție. În funcție de utilizare, purtați o protecție completă a feței, protecție pentru ochi sau ochelari de protecție. Dacă este cazul purtați mască de protecție împotriva prafului, protecție auditivă, mănuși de protecție sau șorț special care să vă ferească de micile așchii și particule de material.** Ochiul trebuie protejat de corpurile străine aflate în zbor, apărute în cursul diferitelor aplicații. Maska de protecție împotriva prafului sau masca de protecție a respirației trebuie să filtreze praful degajat în timpul utilizării. Dacă sunteți expuși timp îndelungat zgomotului puternic, vă puteți pierde auzul.
- j) **Aveți grijă ca celelalte persoane să păstreze o distanță sigură față de sectorul dumneavoastră de lucru. Oricine pătrunde în sectorul de lucru trebuie să poarte echipament personal de protecție.** Fragmente din piesa de lucru sau dispozitivele de lucru rupte pot zbura necontrolat și provoca răni chiar în afara sectorului direct de lucru.
- k) **Prindeți scula electrică numai de mânerul izolat atunci când executați operații în cursul cărora accesoriul poate atinge fire electrice ascunse sau propriul cablu de alimentare.** Contactul un cablu aflat

sub tensiune poate pune sub tensiune și componentele metalice ale sculei electrice și duce la electrocutare.

- l) **Țineți cablul de alimentare departe de dispozitivele de lucru care se rotește.** Dacă pierdeți controlul asupra mașinii cablul de alimentare poate fi tăiat sau prins iar mâna sau brațul dumneavoastră poate nimeri sub dispozitivul de lucru care se rotește.
- m) **Nu puneți niciodată jos scula electrică înainte ca dispozitivul de lucru să se fi oprit complet.** Dispozitivul de lucru care se rotește poate ajunge în contact cu suprafața de sprijin, fapt care vă poate face să pierdeți controlul asupra sculei electrice.
- n) **Nu lăsați scula electrică să funcționeze în timp ce o transportați.** În urma unui contact accidental cu dispozitivul de lucru care se rotește, acesta vă poate prinde îmbrăcămintea și chiar pătrunde în corpul dumneavoastră.
- o) **Curățați regulat fantele de aerisire ale sculei dumneavoastră electrice.** Ventilatorul motorului atrage praf în carcasă iar acumularea puternică de pulberi metalice poate provoca pericole electrice.
- p) **Nu folosiți scula electrică în apropierea materialelor inflamabile.** Scântele pot duce la aprinderea acestor materiale.
- q) **Nu folosiți dispozitive de lucru care necesită agenți de răcire lichizi.** Folosirea apei sau a altor agenți de răcire lichizi poate duce la electrocutare.

2) REcul și AVERTISMENTE CORESPUNZĂTOARE

- Recul este reacția bruscă apărută la agățarea sau blocarea unui dispozitiv de lucru care se rotește, cum ar fi un disc de șlefuit, un disc abraziv, o perie de sârmă, etc. Agățarea sau blocarea duce la oprirea bruscă a dispozitivului de lucru care se rotește. Aceasta face ca scula electrică necontrolată să fie accelerată în punctul de blocare, în sens contrar direcției de rotație a dispozitivului de lucru.
 - Dacă, de exemplu, un disc de șlefuit se agăță sau se blochează în piesa de lucru, marginea discului de șlefuit care penetrează direct piesa de lucru se poate agățată în aceasta și duce astfel la smulgerea discului de șlefuit sau provoca recul. Discul de șlefuit se va deplasa către operator sau în sens opus acestuia, în funcție de direcția de rotație a discului în punctul de blocare. În această situație discurile de șlefuit se pot chiar rupe.
 - Un recul este consecința utilizării greșite sate defectuoase a sculei electrice. El poate fi împiedicat prin măsuri preventive adecvate, precum cele descrise în continuare.
- a) **Țineți bine scula electrică și aduceți-vă corpul și brațele într-o poziție în care să puteți controla forțele de recul. Folosiți întotdeauna un mâner suplimentar, în caz că acesta există, pentru a avea un control maxim asupra forțelor de recul sau a momentelor de reacție la turații înalte.** Operatorul poate stăpâni forțele de recul și de reacție prin măsuri preventive adecvate.
 - b) **Nu apropiați niciodată mâna de dispozitivele de lucru în mișcare de rotație.** În caz de recul dispozitivul de lucru se poate deplasa peste mâna dumneavoastră.
 - c) **Evitați să staționați cu corpul în zona de acțiune a sculei electrice în caz de recul.** Recul proiectează

scula electrică într-o direcție opusă mișcării discului de șlefuit din punctul de blocare.

- d) **Lucrați extrem de atent în zona colțurilor, muchiilor ascuțite, etc. Evitați ca dispozitivul de lucru să ricoșeze după izbirea de piesa de lucru și să se blocheze.** Dispozitivul de lucru aflat în mișcare de rotație are tendința să se blocheze în colțuri, pe muchii ascuțite sau când ricoșează în urma izbirii. Aceasta duce la pierderea controlului sau la recul.
- e) **Nu folosiți pânze de ferăstrău pentru lemn sau pânze dințate.** Asemenea dispozitive de lucru provoacă frecvent recul sau duc la pierderea controlului asupra sculei electrice.

AVERTISMENTE SUPLIMENTARE

GENERALITĂȚI

- Folosiți această sculă doar pentru lustruire uscată
- Folosiți doar flansele care sunt livrate cu această sculă
- Această sculă nu trebuie să fie folosit de persoane sub 16 ani
- **Decuplați întotdeauna ștecherul de la sursa de alimentare înainte de a face o reglare sau o schimbare de accesorii**
- **Nu prelucrați materiale care conțin azbest** (azbestul este considerat a fi cancerigen)

ACCESORII

- SKIL garantează funcționarea perfectă a sculei electrice numai dacă sunt folosite accesoriile corecte, care pot fi obținute de la dealerul dumneavoastră de produse SKIL
- Pentru montarea/utilizarea accesoriilor care nu provin de la firma SKIL respectați instrucțiunile respectivului producător
- Folosiți numai accesoriile a căror turație admisă este cel puțin egală cu turația maximă la mers în gol a aparatului
- Nu folosiți niciodată accesorii cu orificiu filetat orb mai mic decât M14x21mm
- Nu folosiți accesoriile care sunt deteriorate, deformatate sau care vibrează
- Manevrați și depozitați cu grijă accesorii

UTILIZAREA ÎN AER LIBER

- Când se utilizează în aer liber, conectați dispozitivul prin intermediul unui întrerupător pentru curent de defect (FI) cu un curent de declanșare de maximum 30 mA, și folosiți numai un cordon prelungitor destinat pentru folosirea în aer liber și care este prevăzut cu o priză de cuplare protejată contra stropirii

ÎNAINTEA UTILIZĂRII

- Verificați întotdeauna dacă tensiunea de alimentare este aceeași cu tensiunea indicată pe plăcuța de identificare a sculei
- Montați întotdeauna mânerul auxiliar A ② sau B ②; nu utilizați mașina în lipsa acestuia
- Praful rezultat din materiale precum vopseala care conține plumb, unele specii de lemn, minerale și metale poate fi periculos (contactul cu praful sau inhalarea acestuia poate provoca reacții alergice și/sau afecțiuni respiratorii operatorului sau persoanelor care stau în apropiere); **purtați o mască de praf și lucrați cu un dispozitiv de extragere a prafului când poate fi conectat**
- Anumite tipuri de praf sunt clasificate ca fiind cancerigene (cum ar fi praful de stejar și fag) în special în

combinație cu aditivi pentru tratarea lemnului; **purtați o mască de praf și lucrați cu un dispozitiv de extragere a prafului când poate fi conectat**

- Respectați reglementările naționale referitoare la aspirația prafului în funcție de materialele de lucru folosite
- **Securizați piesa de lucru** (o piesă de lucru fixată cu clame sau într-o menghină este ținută mult mai în siguranță decât manual)
- Nu fixați sculă în menghină
- Folosiți cabluri de prelungire derulate complet, protejate/izolate, cu o capacitate de 16 amperi

ÎN TIMPUL FUNCȚIONĂRII

- Când lucrați întotdeauna tineți aparatul cu ambele mâini cu fermitate și luați o poziție stabilă
- Feriți întotdeauna cordonul de părțile în mișcare ale sculei; orientați cordonul spre spate, la distanță de sculă
- În cazul în care cordonul este deteriorat sau secționat în timpul lucrului, nu atingeți cordonul, dar deconectați imediat de la priză
- Nu folosiți scula atunci când cordonul sau prezintă defecțiuni; înlocuirea lor se va efectua de o persoană autorizată
- În cazul unor defecțiuni electrice sau mecanice deconectați imediat instrumentul și scoateți șnurul din priză
- În caz de întrerupere a curentului atunci când stecherul este scos din priză în mod accidental, lăsați liber întrerupătorul H ② pentru a preveni pornirea necontrolată

DUPĂ UTILIZARE

- Înainte de a așeza sculă, întrerupeți contactul și asigurați-vă că toate părțile în mișcare s-au oprit complet
- După oprirea sculei, nu opriți niciodată rotația accesoriului aplicându-i acestuia o forță laterală

EXPLICAȚIA SIMBOLURILOR DE PE INSTRUMENT

- ③ Citiți manual de instrucțiuni înainte de utilizare
- ④ Purtați ochelari de protecție și căști antifonice
- ⑤ Izolație dublă (nu este necesar fir de împământare)
- ⑥ Nu aruncați instrumentul direct la pubelele de gunoi

UTILIZAREA

- Montarea mânerelor auxiliare ⑦
 - ! **deconectați priza**
 - înșurubați mânerul auxiliar A în partea dreaptă sau cea stângă a sculei (în funcție de operația care trebuie realizată)
 - montați mânerul auxiliar B în modul indicat în ilustrație și strângeți ambele șuruburi furnizate cu ajutorul cheii hexagonale C
- Montarea accesoriilor ②
 - ! **deconectați priza**
 - curățați fusul D și toate părțile care urmează a fi montate
 - înșurubați platoul de șlefuit VELCRO E pe ax D în timp ce apăsați butonul de blocare a axului F
 - ! **apăsați butonul de blocare a fusului F atunci când axul D este oprit**
 - apăsați pur și simplu calota de lână G pe platoul de șlefuit VELCRO E
 - pentru demontarea accesoriilor acționați în ordinea inversă a operațiilor

- Înainte de a folosi scula
 - asigurați-vă că accesoriul este corect montat și bine strâns
 - verificați dacă accesoriul se învârteste liber, rotindu-l cu mâna
 - testați sculă în funcționare cel puțin 60 de secunde la cea mai mare turatie de mers în gol într-o poziție sigură
 - opriți imediat în cazul unor vibrații considerabile sau al altor defecțe și verificați sculă pentru a stabili cauza
- Pornit/oprit
 - porniți/opriți instrumentul prin tragerea/decuplarea declansatorului H ②
- Pornire electronică progresivă
 - Asigurați creșterea progresivă a vitezei până la viteza maximă, fără șoc inițial la pornirea sculei
- Întrerupător-blocare pentru uz continuu
 - trageți declansatorul H
 - apăsați cu degetul gros butonul J
 - deblocați întrerupătorul prin tragerea din nou a declansatorului H, urmată de decuplarea acestuia
- Control de viteză ⑧
 - potențiometrul rotativ K asigură reglajul al vitezei maxime de la mică la mare (1-MAX)
 - începeți cu roțița K în poziția 1 (viteză redusă)
 - dacă este necesar, selectați o viteză superioară în timpul funcționării mașinii
 - viteza de lucru optimă depinde de material și poate fi stabilită prin teste practice
- Utilizarea sculei
 - porniți scula
 - poziționați complet mașina pe suprafața de prelucrat și deplasați-o uniform, în etape
 - fiecare mișcare trebuie să acopere jumătate din suprafața acoperită de mișcarea anterioară
 - nu vă opriți într-un anumit punct pentru a evita arderea stratului de vopsea
 - nu deplasați mașina în cercuri pentru a evita pătrarea sau arderea stratului de vopsea
- ! **înainte de oprirea sculei, trebuie să o ridicați de pe piesa de prelucrat**
- ! **accesoriul continuă să se rotească pentru o scurtă perioadă de timp după ce sculă a fost deconectată**
- Mănuirea și dirijarea sculei ⑨
 - ! **în timp ce lucrați, țineți întotdeauna scula de zonă (zonele) de prindere colorate gri**
 - țineți întotdeauna cu putere sculă cu ambele mâini, așa încât să o puteți controla în orice moment
 - mențineți o poziție sigură a corpului
 - ! **nu apăsați sculă astfel încât ea să se oprească**
 - mențineți fantele de ventilație L ② neacoperite


ÎNȚREȚINERE / SERVICE

- Feriți mașina de impacturi, șocuri și contaminare cu lubrifiant
- Păstrați aparatul și cablul curat (mai ales fantele de ventilație L ②)
 - ! **deconectați de la priză înainte de a curăța**
 - ! **nu încercați să curățați fantele de ventilație înfigând obiecte ascuțite în ele**
- Dacă în ciuda procedeelelor de fabricație și control riguroase scula are totuși o pană, repararea acesteia se

ва face numai la un atelier de асистенѝа service авторизат за скле електриче SKIL

- тримитеѝи скла **в totalitatea lui** cu bonul de cumpараре la дистрибуиторул sau la централ де service SKIL cel mai apropiat (адресе и диаграме де service се гасеаск la www.skil.com)

MEDIUL

- **Nu arunaѝи скле електриче, аксориите sau амбалаже директ ла пубеле де гунои** (numai pentru ѝариле дин Comunitatea Europeanа)
 - Directiva Europeanа 2012/19/EC face referire la modul de аrcанаре а есипаментелор електриче и електрониче и modul de аrcанаре а нормелор в conformitate cu legislaѝия наѝионала; скле електриче в momentul в care au atins un grad avansat de uzurа и trebuie сc арначе, ele trebuie сc colectate separat и reciclate внtr-un mod ce respectа normele de protecѝie а mediului вnconjurаtor
 - simbolul  vа vа reaminti acest lucru


ZGOMOT / VIBRAѝII

- Mасurат в conformitate cu EN 60745 nivelul de presiune а sunetului generat de acest instrument este de 86 dB(A) iar nivelul de putere а sunetului 97 dB(A) (abaterea standard: 3 dB), iar nivelul vibraѝиilor 8,5 m/s² (suma vectorialа а trei direcѝии; incertitudine K = 1,5 m/s²)
 - Nivelul emisiilor de vibraѝии а fost mасurат в conformitate cu un test standardizat precizat в EN 60745; poate fi folosit pentru а compara о скла cu alta и ca evaluare preliminarа а expunerii la vibraѝии atunci cаnd folosiѝи скла pentru aplicaѝииле mentionate
 - utilizarea sculei pentru aplicaѝии diferite sau cu accesorii diferite и prost вntreпinute poate **creste** semnificativ nivelul de expunere
 - momentele в care скла este oprita sau cаnd funcѝioneаз даr nu executа nicio lucrare, pot **reduce** semnificativ nivelul de expunere
- ! protejaѝи-vа вmpotriva efectelor vibraѝиilor prin вntreпinerea sculei и а accesoriiilor sale, pаstrаnd mаinile calde и organizаnd procesele de lucru**

BG

Полировъчна машина 9955

УВОД

- Този инструмент е предназначен за полиране на метал, пластмаса и повърхности с покритие, а също и за полиране на материали от камък, без да се използва вода
- Прочетете и пазете това ръководство за работа 

ТЕХНИЧЕСКИ ДАННИ

ЕЛЕМЕНТИ НА ИНСТРУМЕНТА

- A Помощна ръчка
- B Помощна ръчка (тип D)
- C Шестостенен ключ

- D Шпиндел
- E Подложки (VELCRO)
- F Бутон за заключване на шпиндела
- G Вълнена шапка
- H Прекъсвач за включване/изключване
- J Бутон за блокиране на електрическия ключ
- K Диска за регулиране на максимална скорост
- L Вентилационните отвори

БЕЗОПАСНОСТ

ОБЩИ УКАЗАНИЯ ЗА БЕЗОПАСНА РАБОТА С ЕЛЕКТРОИНСТРУМЕНТИ

 **ВНИМАНИЕ** Прочетете всички предупреждения, указания, запознайте се с фигурите и техническите характеристики, приложени към електроинструмента. Пропуски при спазването на указанията по-долу могат да предизвикат токов удар и/или тежки травми. **Запазете всички предупреждения и указания за ползване в бъдеще.** Използваният по-долу термин “електроинструмент” се отнася до захранвани от електрическата мрежа електроинструменти (със захранващ кабел) и до захранвани от акумулаторна батерия електроинструменти (без захранващ кабел).

1) БЕЗОПАСНОСТ НА РАБОТНОТО МЯСТО

- Поддържайте работното си място чисто и подредено.** Безпорядъкът или недостатъчното осветление могат да спомогнат за възникването на трудова злополука.
- Не работете с електроинструмента в среда с повишена опасност от възникване на експлозия, в близост до леснозапалими течности, газове или прахообразни материали.** По време на работа в електроинструментите се отделят искри, които могат да възпламенят прахообразни материали или пари.
- Дръжте деца и странични лица на безопасно разстояние, докато работите с електроинструмента.** Ако вниманието Ви бъде отклонено, може да загубите контрола над електроинструмента.

2) БЕЗОПАСНОСТ ПРИ РАБОТА С ЕЛЕКТРИЧЕСКИ ТОК

- Щепселът на електроинструмента трябва да е подходящ за ползвания контакт. В никакъв случай не се допуска изменение на конструкцията на щепсела. Когато работите със занулени електроуреди, не използвайте адаптери за щепсела.** Ползването на оригинални щепсели и контакти намалява риска от възникване на токов удар.
- Избягвайте допира на тялото Ви до заземени тела, напр. тръби, отоплителни уреди, пещи и хладилници.** Когато тялото Ви е заземено, рискът от възникване на токов удар е по-голям.
- Предпазвайте електроинструмента си от дъжд и влага.** Проникването на вода в електроинструмента повишава опасността от токов удар.

- d) **Не използвайте** **захранващия кабел за цели, за които той не е предвиден**, напр. за да носите електроинструмента за кабела или да извадите щепсела от контакта. **Предпазвайте кабела от нагряване, омасляване, допир до остри ръбове или до подвижни звена на машини.** Повредени или усукани кабели увеличават риска от възникване на токов удар.
- e) **Когато работите с електроинструмент навън, използвайте само удължителни кабели, предназначени за работа на открито.** Използването на удължител, предназначен за работа на открито, намалява риска от възникване на токов удар.
- f) **Ако се налага използването на електроинструмента във влажна среда, използвайте предпазен прекъсвач за утечни токове.** Използването на предпазен прекъсвач за утечни токове намалява опасността от възникване на токов удар.
- 3) БЕЗОПАСЕН НАЧИН НА РАБОТА**
- a) **Бъдете концентрирани, следете внимателно действията си и постъпвайте предпазливо и разумно. Не използвайте електроинструмента, когато сте уморени или под влиянието на наркотични вещества, алкохол или упойващи лекарства.** Един миг разсеяност при работа с електроинструмент може да има за последствие изключително тежки наранявания.
- b) **Работете с предпазващо работно облекло и винаги с предпазни очила.** Носенето на подходящи за ползвания електроинструмент и извършваната дейност лични предпазни средства, като дихателна маска, здрави плътнотзатворени обувки със стабилен грайфер, защитна каска или шумозаглушители (антифони), намалява риска от възникване на трудова злополука.
- c) **Избягвайте опасността от включване на електроинструмента по невниманию. Преди да включите щепсела в захранващата мрежа или да поставите акумулаторната батерия, се уверявайте, че пусковият прекъсвач е в положение изключено.** Ако, когато носите електроинструмента, държите пръста си върху пусковия прекъсвач, или ако подавате захранващо напрежение на електроинструмента, когато е включен, съществува опасност от възникване на трудова злополука.
- d) **Преди да включите електроинструмента, се уверявайте, че сте отстранили от него всички помощни инструменти и гаечни ключове.** Помощен инструмент, забравен на въртящо се звено, може да причини травми.
- e) **Не надценявайте възможностите си. Работете в стабилно положение на тялото и във всеки момент поддържайте равновесие.** Така ще можете да контролирате електроинструмента по-добре и по-безопасно, ако възникне неочаквана ситуация.
- f) **Работете с подходящо облекло. Не работете с широки дрехи или украшения. Дръжте косата и дрехите си на безопасно разстояние от движещи се звена.** Широките дрехи, украшенията, дългите коси могат да бъдат захванати и увлечени от въртящи се звена.
- g) **Ако е възможно използването на външна аспирационна система, се уверявайте, че тя е включена и функционира изправно.** Използването на аспирационна система намалява рисковете, дължащи се на отделящата се при работа прах.
- h) **Доброто познаване на електроинструмента вследствие на честа работа с него не е повод за намаляване на вниманието и пренебрегване на мерките за безопасност.** Едно невнимателно действие може да предизвика тежки наранявания само за части от секундата.
- 4) ВНИМАТЕЛНО ОТНОШЕНИЕ КЪМ ЕЛЕКТРОИНСТРУМЕНТИ**
- a) **Не претоварвайте електроинструмента. Използвайте електроинструментите само съобразно тяхното предназначение.** Ще работите по-добре и по-безопасно, когато използвате подходящия електроинструмент в зададения от производителя диапазон на натоварване.
- b) **Не използвайте електроинструмент, чиито пусков прекъсвач е повреден.** Електроинструмент, който не може да бъде изключван и включван по предвидения от производителя начин, е опасен и трябва да бъде ремонтиран.
- c) **Преди да извършвате каквито и да е дейности по електроинструмента, напр. настройване, смяна на работен инструмент, както и когато го прибирате, изключвайте щепсела от контакта, респ. изваждайте батерията, ако е възможно.** Тази мярка премахва опасността от задействане на електроинструмента по невниманию.
- d) **Съхранявайте електроинструментите на места, където не могат да бъдат достигнати от деца. Не допускайте те да бъдат използвани от лица, които не са запознати с начина на работа с тях и не са прочели тези инструкции.** Когато са в ръцете на неопитни потребители, електроинструментите могат да бъдат изключително опасни.
- e) **Поддържайте добре електроинструментите си и аксесоарите им. Проверявайте дали подвижните звена функционират безукорно, дали не заклинват, дали има счупени или повредени детайли, които нарушават или изменят функциите на електроинструмента. Преди да използвате електроинструмента, се погрижете повредените детайли да бъдат ремонтирани.** Много от трудовите злополуки се дължат на недобре поддържани електроинструменти и уреди.
- f) **Поддържайте режещите инструменти винаги добре заточени и чисти.** Добре поддържаните режещи инструменти с остри ръбове оказват по-малко съпротивление и се водят по-леко.
- g) **Използвайте електроинструментите, допълнителните приспособления, работните инструменти и т.н., съобразно инструкциите на производителя. С дейности и процедури, евентуално предписани от различни нормативни**

документи. Използването на електроинструменти за различни от предвидените от производителя приложения повишава опасността от възникване на трудови злополуки.

- h) **Поддържайте дръжките и ръкохватните сухи, чисти и неомаслени.** Хлъзгавите дръжки и ръкохватки не позволяват безопасна работа и доброто контролиране на електроинструмента при възникване на неочаквана ситуация.

5) ПОДДЪРЖАНЕ

- a) **Допускайте ремонтът на електроинструментите Ви да се извършва само от квалифицирани специалисти и само с използването на оригинални резервни части.** По този начин се гарантира съхраняване на безопасността на електроинструмента.

УКАЗАНИЯ ЗА БЕЗОПАСНА РАБОТА С ПОЛИРОВЪЧНА МАШИНА

1) ОБЩИ УКАЗАНИЯ ЗА БЕЗОПАСНА РАБОТА ПРИ ПОЛИРАНЕ

- a) **Този електроинструмент може да се използва за полиране.** Спазвайте всички указания и предупреждения, съобразявайте се с приведените технически параметри и изображения. Ако не спазвате посочените по-долу указания, последствията могат да бъдат токов удар, пожар и/или тежки травми.
- b) **Този инструмент не се препоръчва за шлифоване, почистване с шкурна, почистване с телена четка или за рязане.** Дейностите, за които инструментът не е предназначен, може да създадат опасност и да причинят телесно нараняване.
- c) **Не оставяйте висящи нишки или предмети по полиращото платно, напр. връв за окачване.** Ако платното има връв за окачване, предварително я връзвайте или отрязвайте. Въртяща се незахваната връв може да увлече пръстите Ви или да се усуче около обработвания детайл.
- d) **Не използвайте допълнителни приспособления, които не се препоръчват от производителя специално за този инструмент.** Фактът, че можете да закрепите към инструмента определено приспособление или работен инструмент, не гарантира безопасна работа с него.
- e) **Допустимата скорост на въртене на работния инструмент трябва да е не по-малка от изписаната на табелката на електроинструмента максимална скорост на въртене.** Инструменти, които се въртят с по-висока скорост от максимално допустимата, могат да се разрушат.
- f) **Външният диаметър и дебелината на работния инструмент трябва да съответстват на данните, посочени в техническите характеристики на Вашия електроинструмент.** Работни инструменти с неподходящи размери не могат да бъдат екранирани по необходимия начин или да бъдат контролирани достатъчно добре.
- g) **Работни инструменти с опашка на резба трябва да пасват точно на присъединителната резба на вала на машината.** При работни инструменти, които се монтират с помощта на фланец, диаметърът на отвора трябва да пасва точно на диаметъра на присъединителното стъпало на фланеца. Работни инструменти, които не бъдат захванати правилно към електроинструмента, се въртят неравномерно, избират силно и могат да предизвикат загуба на контрол над електроинструмента.
- h) **Не използвайте повредени работни инструменти.** Преди всяка употреба проверявайте работните инструменти, напр. абразивните дискове за пукнатини или откърени ръбчета, подложните дискове за пукнатини или силно износване, телените четки за по-добро захванати или счупени телчета. Ако изгървете електроинструмента или работния инструмент, ги проверявайте внимателно за увреждания или използвайте нови неповредени работни инструменти. След като сте проверили внимателно и сте монтирали работния инструмент, оставете електроинструмента да работи на максимални обороти в продължение на една минута; стойте и дръжте намиращи се наблизо лица встрани от равнината на въртене. Най-често повредени работни инструменти се чупят през този тестов период.
- i) **Предпазете с лични предпазни средства.** В зависимост от приложението работете с цяла масна за лице, защита за очите или предпазни очила. Ако е необходимо, работете с дихателна масна, шумозаглушители (антифони), работни обувки или специализирана престилка, която Ви предпазва от малки откърени при работата частички. Очите Ви трябва да са защитени от летящите в зоната на работа частички. Противопраховата или дихателната маска филтрират възникваща при работа прах. Ако продължително време сте изложени на силен шум, това може да доведе до загуба на слух.
- j) **Внимавайте други лица да бъдат на безопасно разстояние от зоната на работа.** Всеки, който се намира в зоната на работа, трябва да носи лични предпазни средства. Откърени парченца от обработвания детайл или работния инструмент могат в резултат на силното ускорение да отлетят надалече и да предизвикат наранявания също и извън зоната на работа.
- k) **Когато изпълнявате дейности, при които работният инструмент може да попадне на скрити под повърхността проводници под напрежение или да засегне храняващия кабел, внимавайте да допирате електроинструмента само до изолираните ръкохватки.** При контакт с проводник под напрежение то се предава на металните детайли на електроинструмента и това може да предизвика токов удар.
- l) **Дръжте храняващия кабел на безопасно разстояние от въртящия се работен инструмент.** Ако изгубите контрол над електроинструмента, кабелът може да бъде прерязан или увлечен от работния инструмент и това да предизвика наранявания, напр. на ръката Ви.

- m) **Никога не оставяйте електроинструмента, преди работният инструмент да спре напълно въртенето си.** Въртящият се инструмент може да допре до предмет, в резултат на което да загуби контрол над електроинструмента.
- n) **Докато пренасяте електроинструмента, не го оставяйте включен.** Дрехите или косите Ви могат да бъдат увлечени от работния инструмент в резултат на неволен допир, в резултат на което работният инструмент може да се вреже в тялото Ви.
- o) **Редовно почиствайте вентилационните отвори на Вашия електроинструмент.** Турбината на електродвигателя засмуква прах в корпуса, а натрупването на метален прах увеличава опасността от токов удар.
- p) **Не използвайте електроинструмента в близост до леснозапалими материали.** Летящи искри могат да предизвикат възпламеняването на такива материали.
- q) **Не използвайте работни инструменти, които изискват прилагането на охлаждащи течности.** Използването на вода или други охлаждащи течности може да предизвика токов удар.
- 2) ОТКАТ И СЪВЕТИ ЗА ИЗБЯГВАНЕТО МУ**
- Откат е внезапната реакция на инструмента вследствие на заклиняване или блокиране на въртящия се работен инструмент, напр. абразивен диск, гумен подложен диск, телена четка и др.п. Заклиняването или блокирането води до рязкото спиране на въртенето на работния инструмент. Вследствие на това инструментът получава силно ускорение в посока, обратна на посоката на движение на инструмента в точката на блокиране, и става неуправляем.
 - Ако напр. абразивен диск се заклини или блокира в обработваното изделие, ръбът на диска, който допира детайла, може да се огъне и в резултат дискът да се счупи или да възникне откат. В такъв случай дискът се ускорява към работещия с инструмента или в обратна посока, в зависимост от посоката на въртене на диска и мястото на заклиняване. В такива случаи абразивните дискове могат и да се счупят.
 - Откат възниква в резултат на неправилно или погрешно използване на електроинструмента. Възникването му може да бъде предотвратено чрез спазването на подходящи предпазни мерки, както е описано по-долу.
- a) **Дръжте електроинструмента здраво и дръжте ръцете и тялото си в такава позиция, че да противостоите на евентуално възникващ откат. Ако инструментът има спомагателна ръкохватка, винаги я използвайте, за да го контролирате по-добре при откат или при възникващите реакционни моменти по време на включване.** Ако предварително вземете подходящи предпазни мерки, при възникване на откат или силни реакционни моменти можете да овладеете инструмента.
- b) **Никога не поставяйте ръцете си в близост до въртящи се работни инструменти.** Ако възникне откат, инструментът може да нарани ръката Ви.

- c) **Избягвайте да заставате в зоната, в която би отскочил инструмента при възникване на откат.** Откатът премества инструмента в посока, обратна на посоката на движение на работния инструмент в зоната на блокиране.
- d) **Работете особено предпазливо в зоните на ъгли, остри ръбове и др.п. Избягвайте отблъскването или заклиняването на работните инструменти в обработвания детайл.** При обработване на ъгли или остри ръбове или при рязко отблъскване на въртящия се работен инструмент съществува повишена опасност от заклиняване. Това предизвиква загуба на контрол над инструмента или откат.
- e) **Не използвайте верижни или назъбени речежи листове.** Такива работни инструменти често предизвикват откат или загуба на контрол над електроинструмента.

ДОПЪЛНИТЕЛНИ УКАЗАНИЯ ЗА БЕЗОПАСНА РАБОТА

ОБЩИ

- Използвайте инструмента само за сухо полиране
- Използвайте само фланците, доставени с инструмента
- Машината не трябва да се използва от лица под 16 години
- Преди извършването на каквато и да било настройка или смяна на принадлежност винаги изваждайте щепсела от контакта на електрорезачването**
- Не обработвайте азбестосъдържащ материал** (азбестът е канцерогенен)

АКСЕСОАРИ

- SKIL може да осигури безаварийна работа на електроинструмента само ако се използват подходящите консумативи, които можете да намерите при оторизирани дистрибутори на SKIL
- При монтиране и употреба на консумативи, не произведени от SKIL, следвайте инструкциите на съответния производител
- Използвайте само принадлежности, чиято допустима скорост на въртене е поголяма или равна на максималната скорост на въртене на празен ход на електроинструмента
- Никога не използвайте консумативи с резбован отвор, по-малък M14 x 21 mm
- Не използвайте повредени, деформирани или вибриращи консумативи
- Работете и съхранявайте аксесоари внимателно

УПОТРЕБА НА ОТКРИТО

- При работа на открито свързвайте електроинструмента към захранването посредством токопрекъсвач за повреда с максимален пусков ток от 30 mA и използвайте само удължител, предназначен за работа на открито и снабден със защитно от пръски щепселно гнездо

ПРЕДИ УПОТРЕБА

- Преди включване на инструмента в контакта се уверете, че мрежовото напрежение отговаря на напрежението, обозначено на фирмената табелка на инструмента

- Винаги монтирайте спомагателната ръкохватка А ② или В ②; никога не използвайте инструмента без нея
- Прахът от някои материали, като например съдържаща олово боя, някои видове дървесина, минерали и метали може да бъде вреден (контакт или вдишване на такъв прах могат да причинят алергични реакции и/или респираторни заболявания на оператора или стоящите наблизо лица); **използвайте противопохова масна и работете с аспириращо прахта устройство, когато такова може да бъде свързано**
- Определени видове прах са класифицирани като карциногенни (като прах от дъб и бук) особено когато са комбинирани с добавки за подобряване на състоянието на дървесината; **използвайте противопохова масна и работете с аспириращо прахта устройство, когато такова може да бъде свързано**
- Следвайте дефинираните по БДС изисквания относно запрашеността за материалите, които желаете да обработвате
- **Обезопасете работния материал** (материал, затегнат в затягащ инструмент или в менгеме е по-устойчив, отколкото ако се държи в ръка)
- Не затягайте електроинструмента в преса или менгеме
- Използвайте напълно развити и обезопасени разклонители с капацитет 16 А

ПРИ УПОТРЕБА

- При работа дръжте електроинструмента здраво с двете ръце и поддържайте устойчиво
- Винаги отвеждайте захранващият кабел далеч от движещите се звена на електроинструмента; прехвърлете кабела отзад, далеч от електроинструмента
- Ако кабелът се повреди ил среже по време на работа, не го докосвайте, веднага изключете щепсела, никога не използвайте инструмента с повреден кабел
- Не използвайте инструмента, когато е повреден шнурът; замената му следва да се извърши от квалифицирано лице
- В случай на електрическа или механична неизправност, изключете незабавно апарата и прекъснете контакта с електрическата мрежа
- В случай на прекъсване на захранването или неочаквано измъкване на щепсела, освободете прекъсвача Н ② за да избегнете рестартиране на инструмента

СЛЕД РАБОТА

- Преди да поставите инструмента, изключете мотора и се уверете, че всички подвижни части са напълно неподвижни
- След като изключите инструмента, никога не прилагайте допълнителна сила за да спрете въртенето на аксесоарите

ОБЯСНЕНИЕ НА СИМВОЛИТЕ ПО ИНСТРУМЕНТА

- ③ Преди употреба прочетете ръководството с указания
- ④ Носете защитни очила и тапи за уши
- ⑤ Двойна изолация (не се изисква кабел за заземяване)

- ⑥ Не изхвърляйте инструмента заедно с битови отпадъци

УПОТРЕБА

- Монтирайте на спомагателните ръкохватки ⑦
 - ! **изключете щепсела**
 - завъртете помощната дръжка А наляво или надясно в зависимост от това, какво ще извършвате
 - монтирайте спомагателната ръкохватка, В както е показано и затегнете двата винта от комплекта с помощта на шестостенния ключ С
- Монтиране на аксесоарите ②
 - ! **изключете щепсела**
 - почистете шпиндела D и всички части, които ще се монтират
 - завийте подложния диск от ВЕЛКРО Е върху шпиндела D, докато натискате бутона за заключване на шпиндела F
 - ! **натискайте бутона за заключване на шпиндела F само когато шпинделът D е в напълно спряно положение**
 - просто натиснете вълненото боне G върху подложния диск от ВЕЛКРО Е
 - за премахване на консумативи следвайте обратния ред
- Преди употреба
 - уверете се, че аксесоарите са правилно поставени и здраво затегнати
 - проверете дали аксесоарите се въртят свободно като ги завъртите с ръка
 - предварително тествайте инструмента, като я включите най-малко за 60 секунди на максимална скорост
 - в случай на силни вибрации или други неизправности, веднага спрете инструмента за установяване на повреда
- Включване/изключване
 - включвайте/изключвайте апарата чрез натискане/отпускане на спусък Н ②
- Електронно плавно стартиране
 - Осигурява плавно достигане на максималната скорост без рязко движение при включване на инструмента
- Застопоряване на включващия спусък за непрекъсната работа
 - натиснете спусък Н
 - натиснете бутон J с палеца
 - освободете механизма от застопорено положение като натиснете отново спусък Н и го отпуснете
- Управление на скоростта ⑧
 - с диска К максималната скорост може да се регулира от ниска до висока (1-MAX)
 - включете инструмента в положение 1 (ниски обороти) на диска К
 - ако е необходимо изберете по-високи обороти, докато инструментът работи
 - оптималната работна скорост зависи от материала и може да бъде определена с практически опити

- Работа с инструмента
 - включете инструмента
 - поставете инструмента плътно върху повърхността, която ще полирате, и го движете равномерно на участъци
 - всяко следващо движение трябва да застъпва наполовина предходното
 - не задържайте движението на едно място, за да се избегне прегаряне на покритието
 - не движете инструмента в кръг, за да се избегне получаването на петна или прегаряне на покритието
- ! **преди да изключите инструмента, трябва да я вдигнете от работната повърхност**
- ! **аксесоарите продължават да се въртят известно време след изключване на инструмента**
- Държане и насочване на инструмента ④
 - ! **по време на работа, винаги дръжте уреда за оцветената(ите) в сиво зона(и) за хващане**
 - винаги дръжте инструмента здраво с двете ръце, така че през цялото време да сте в състояние да я управлявате сигурно
 - снабдете се с устойчива стойка
- ! **при спиране на инструмента, не прилагайте сила**
- оставяйте вентилационните отвори L ② непокрити

ПОДДРЪЖКА / СЕРВИЗ

- Пазете инструмента от удари, сътресение и грес
- Поддържайте винаги електроинструмента и захранващия кабел чисти (особено вентилационните отвори L ②)
 - ! **преди почистване изключете щепсела**
 - ! **не се опитвайте да почиствате инструмента като пъхате заострени предмети в вентилационните отворите**
- Ако въпреки прецизното производство и внимателно изпитване възникне повреда, инструмента да се занесе за ремонт в оторизиран сервиз за електроинструменти на SKIL
 - занесете инструмента в неразглобен вид заедно с доказателство за покупката му в търговския обект, откъдето сте го закупили, или в най-близкия сервиз на SKIL (адресите, както и схемата за сервизно обслужване на електроинструмента, можете да намерите на адрес www.skil.com)

ОПАЗВАНЕ НА ОКОЛНАТА СРЕДА

- **Не изхвърляйте електроуредите, приспособленията и опаковките заедно с битови отпадъци** (само за страни от ЕС)
 - съобразно Директивата на ЕС 2012/19/EG относно износени електрически и електронни уреди и отразяването ѝ в националното законодателство износените електроуреди следва да се събират отделно и да се предават за рециклиране според изискванията за опазване на околната среда
 - за това указва символът ⑥ тогава когато трябва да бъдат унищожени

ШУМ / ВИБРАЦИИ

- Измерено в съответствие с EN 60745 нивото на звуково налягане на този инструмент е 86 dB(A) а нивото на звукова мощност е 97 dB(A) (стандартно отклонение: 3 dB), а вибрациите са 8,5 m/c² (векторната сума по трите направления; неопределеност K = 1,5 m/c²)
- Нивото на предадените вибрации е измерено в съответствие със стандартизирания тест, определен в EN 60745; то може да се използва за сравнение на един инструмент с друг и като предварителна оценка на подлагането на вибрации при използването на инструмента за посочените приложения
 - използването на инструмента за различни от тези приложения или с други, или лошо поддържани аксесоари може значително **да повиши** нивото на което сте подложени
 - периодите от време, когато инструмента е изключен или съответно включен, но с него не се работи в момента могат значително **да намалят** нивото на което сте подложени
- ! **предпазвайте се от ефентите от вибрациите, като поддържате инструмента и аксесоарите му, пазите ръцете си топли и организирате вашите модели на работа**

SK

Leštička

9955

ÚVOD

- Tento nástroj je určený na leštenie kovových, plastových a povrchovo upravených povrchov, ako aj na leštenie materiálov z kameňa bez použitia vody
- Prečítajte a uschovajte tento návod na použitie ③

TECHNICKÉ ÚDAJE ①

ČASTI NÁSTROJA ②

- A Pomocné držadlo
- B Pomocné držadlo (typ D)
- C Imbusový kľúč
- D Vreteno
- E Brúsny tanier (VELCRO)
- F Gombík na uzamknutie vretena
- G Vlnená obruba
- H Spínač zapnutie/vypnutie
- J Tlačidlo na zaistenie vypínača
- K Kolesko na nastavenie maximálnej rýchlosti
- L Vetracie štrbiny

BEZPEČNOSŤ

VŠEOBECNÉ BEZPEČNOSTNÉ UPOZORNENIA TYKAJÚCE SA ELEKTRICKÉHO NÁRADIA

⚠ POZOR Prečítajte si všetky bezpečnostné upozornenia, pokyny, ilustrácie a špecifikácie dodané s týmto elektrickým náradím. Zanedbanie dodržiavania

všetkých uvedených pokynov texte môže mať za následok zásah elektrickým prúdom, spôsobiť požiar a/alebo ťažké poranenie. **Všetky upozornenia a pokyny si odložte na ďalšie použitie.** Pojem ručné "elektrické náradie" používaný v nasledujúcom texte sa vzťahuje na ručné elektrické náradie napájané zo siete (s prírodnou šnúrou) a na ručné elektrické náradie napájané akumulátorovou batériou (bez prírodnej šnúry).

1) BEZPEČNOSŤ NA PRACOVISKU

- a) **Udržiavajte svoje pracovisko čisté a upratané.** Neporiadok na pracovisku alebo neosvetlené časti pracoviska môžu viesť k úrazom.
- b) **Nepracujte elektrickým náradím v prostredí ohrozenom výbuchom, v ktorom sa nachádzajú horľavé kvapaliny, plyny alebo prach.** Elektrické náradie produkuje iskry, ktoré môžu prach alebo pary zapáliť.
- c) **Deti a iné osoby udržiavajte počas práce od ručného elektrického náradia v dostatočnej vzdialenosti.** V prípade odpútania Vašej pozornosti by ste mohli stratiť kontrolu nad náradím.

2) ELEKTRICKÁ BEZPEČNOSŤ

- a) **Zástrčka prírodnej šnúry sa musí hodiť do napájacej zásuvky. Zástrčka sa v žiadnom prípade nesmie meniť. Pri uzemnených spotrebičoch nepoužívajte spolu s nimi žiadne adaptéry.** Nezmenená zástrčka a vhodná zásuvka znižujú riziko zásahu elektrickým prúdom.
- b) **Vyhýbajte sa telesnému kontaktu s povrchovými plochami uzemnených spotrebičov, ako sú elektrické rúry, vyhrievacie telesá, sporáky a chladničky.** Keď je Vaše telo uzemnené, riziko zásahu elektrickým prúdom je vyššie.
- c) **Chráňte ručné elektrické náradie pred dažďom a vlhkom.** Vniknutie vody do ručného elektrického náradia zvyšuje riziko zásahu elektrickým prúdom.
- d) **Nepoužívajte prírodnú šnúru na prenášanie náradia, na jeho vešanie, ani za ňu nevyťahujte zástrčku zo zásuvky. Prírodnú šnúru chráňte pred horúčavou, olejom, ostrými hranami alebo pohybujúcimi sa časťami náradia.** Poškodené alebo zauzlené šnúry zvyšujú riziko zásahu elektrickým prúdom.
- e) **Ak pracujete s ručným elektrickým náradím vonku, používajte len také predlžovacie šnúry, ktoré sú schválené pre používanie vo vonkajších priestoroch.** Používanie predlžovacej šnúry určenej do vonkajšieho prostredia znižuje riziko zásahu elektrickým prúdom.
- f) **Ak sa nedá vyhnúť použitiu ručného elektrického náradia vo vlhkom prostredí, použite prerušovač uzemňovacieho obvodu.** Používanie prerušovača uzemňovacieho obvodu znižuje riziko zásahu elektrickým prúdom.

3) BEZPEČNOSŤ OSÔB

- a) **Buďte pozorní, dávajte pozor na to, čo robíte a k práci s elektrickým náradím pristupujte rozumne. Nepoužívajte elektrické náradie, keď ste unavení alebo keď ste pod vplyvom drog, alkoholu alebo liekov.** Chvíľa nepozornosti pri používaní náradia môže viesť k vážnym poraneniam.

- b) **Noste osobné ochranné pomôcky, ochranný odev a vždy majte nasadené ochranné okuliare.** Nosenie pracovného odevu a používanie ochranných pomôcok ako ochrannej dýchacej masky, bezpečnostných protišmykových topánok, prilby alebo chrániča sluchu, podľa druhu elektrického náradia, znižuje riziko poranenia.
 - c) **Vyhýbajte sa neúmyselnému uvedeniu ručného elektrického náradia do činnosti. Pred zasunutím zástrčky do zásuvky a/alebo pred pripojením akumulátora, pred chytením alebo prenášaním ručného elektrického náradia sa vždy presvedčte sa, či je ručné elektrické náradie vypnuté.** Ak budete mať pri prenášaní ručného elektrického náradia prst na vypínači, alebo ak ručné elektrické náradie pripojíte na elektrickú sieť zapnutú, môže to mať za následok nehodu.
 - d) **Skôr ako ručné elektrické náradie zapnete, odstráňte nastavovacie a montážne nástroje.** Nástroj alebo kľúč, ktorý sa nachádza v pohyblivej časti náradia, môže spôsobiť poranenie.
 - e) **Neprečunujte sa. Zabezpečte si pevný postoj a neprestajne udržiavajte rovnováhu.** Taktó budete môcť ručné elektrické náradie v neočakávaných situáciách lepšie kontrolovať.
 - f) **Pri práci noste vhodný pracovný odev. Nenoste široké odevy a nemajte na sebe šperky.** Vyvarujte sa toho, aby sa vaše vlasy a odev dostali do blízkosti pohyblivých častí. Voľný odev, dlhé vlasy alebo šperky môžu byť zachytené rotujúcimi časťami ručného elektrického náradia.
 - g) **Ak možno namontovať zariadenie na odsávanie alebo zachytávanie prachu, presvedčte sa, či je pripojené a správne používané.** Používanie odsávacieho zariadenia a zariadenia na zachytávanie prachu znižuje riziko ohrozenia zdravia prachom.
 - h) **Nepodliehajte falošnému pocitu istoty získanej z častého používania náradia a nekonajte v rozpore s princípmi bezpečného používania náradia.** Nepozorná práca môže v priebehu zlomkov sekundy viesť k ťažkému poraneniu.
- ### 4) STAROSTLIVÉ ZAOBCHÁDZANIE S ELEKTRICKÝM NÁRADÍM A JEHO POUŽÍVANIE
- a) **Náradie nepreťažujte. Pre svoju prácu používajte určené elektrické náradie.** Pomocou vhodného ručného elektrického náradia budete môcť v uvedenom rozsahu výkonu pracovať lepšie a bezpečnejšie.
 - b) **Nepoužívajte žiadne ručné elektrické náradie, ktoré má pokazený vypínač.** Ručné elektrické náradie, ktoré sa už nedá zapínať alebo vypínať, je nebezpečné a treba ho dať opraviť.
 - c) **Skôr ako začnete náradie nastavovať alebo prestavovať, vymieňajte príslušenstvo alebo ako odložte náradie, vždy vytiahnite koncovku sieťovej šnúry zo zásuvky a/alebo vyberte akumulátor, ak sa dá vybrať.** Toto preventívne opatrenie zabraňuje neúmyselnému spusteniu ručného elektrického náradia.
 - d) **Nepoužívané ručné elektrické náradie uschovávajte mimo dosahu detí. Nedopusťte, aby ručné elektrické náradie používali osoby, ktoré s ním nie sú dôkladne oboznámené, alebo ktoré si neprečítali tento Návod na používanie.** Ak ručné elektrické

náradie používajú neskúsené osoby, stáva sa nebezpečným nástrojom.

- e) **Ručné elektrické náradie a príslušenstvo starostlivo ošetrujte.** Skontrolujte, či pohyblivé súčiastky náradia bezchybne fungujú a neblokujú a či nie sú zlomené alebo poškodené niektoré súčiastky, ktoré by mohli negatívne ovplyvniť fungovanie ručného elektrického náradia. Pred použitím ručného elektrického náradia dajte poškodené súčiastky opraviť. Nejednen úraz bol spôsobený zle udržiavaným náradím.
 - f) **Používané nástroje udržiavajte ostré a čisté.** Starostlivo ošetrované nástroje s ostrými reznými hranami sa menej často zablokujú a ich vedenie je podstatne ľahšie.
 - g) **Používajte ručné elektrické náradie, príslušenstvo, pracovné nástroje a pod. podľa týchto pokynov.** Zohľadnite pritom konkrétne pracovné podmienky a činnosť, ktorú máte vykonať. Používanie ručného elektrického náradia na iné ako určené účely môže viesť k nebezpečným situáciám.
 - h) **Rukoväti a úchopové povrchy udržiavajte suché, čisté a bez oleja alebo mazacieho tuku.** Šmyklivé rukoväti a úchopové povrchy neumožňujú bezpečnú manipuláciu a ovládanie náradia v neočakávaných situáciách.
- 5) SERVIS**
- a) **Ručné elektrické náradie zverte do opravy len kvalifikovanému personálu a používajte len originálne náhradné súčiastky.** Tým sa zabezpečí zachovanie bezpečnosti ručného elektrického náradia.

BEZPEČNOSTNÉ POKYNY PRE LEŠTIČKY

1) SPOLOČNÉ BEZPEČNOSTNÉ POKYNY PRE LEŠTENIE

- a) **Toto ručné elektrické náradie sa používa ako leštička. Rešpektujte všetky výstražné upozornenia, pokyny, obrázky a údaje, ktoré ste dostali s týmto ručným elektrickým náradím.** Ak by ste nedodrжали nasledujúce pokyny, mohlo by to mať za následok zásah elektrickým prúdom, vznik požiaru a/alebo vážne poranenie.
- b) **Toto elektrické náradie nie je určené na brúsenie, šmirgľovanie, čistenie drôtenou kefou ani rezanie.** Vykonať činnosť, na ktoré toto elektrické náradie nie je určené, môžu predstavovať nebezpečenstvo a spôsobiť zranenie.
- c) **Nepripúšťajte, aby boli uvoľnené niektoré súčiastky leštiaceho návleku, najmä upevňovacie šnúrky. Upevňovacie šnúrky založte alebo skráťte.** Uvoľnené otáčajúce sa upevňovacie šnúrky by Vám mohli zachytiť prsty, alebo by sa mohli zachytiť v obrobru.
- d) **Nepoužívajte žiadne také príslušenstvo, ktoré nebolo výrobcom určené a odporúčané špeciálne pre toto pneumatické náradie.** Okolnosť, že príslušenstvo sa dá na toto ručné elektrické náradie upevniť, ešte neznamená, že to zaručuje jeho bezpečné používanie.
- e) **Prípustný počet obrátok pracovného nástroja musí byť minimálne taký vysoký ako maximálny počet obrátok uvedený na ručnom elektrickom náradí.** Príslušenstvo, ktoré sa otáča rýchlejšie, by sa mohlo zničiť.

- f) **Vonkajší priemer a hrúbka pracovného nástroja musia zodpovedať rozmerovým údajom uvedeným na ručnom elektrickom náradí.** Nesprávne dimenzované pracovné nástroje môžu byť nedostatočne odčlenené a kontrolované.
- g) **Pracovné nástroje, ktoré sú vybavené vložkou so závitom, musia presne pasovať na závit brúsneho vretena.** Pri takých pracovných nástrojoch, ktoré sa montujú pomocou príruby, treba priemer otvoru pracovného nástroja prispôsobiť upínaciemu priemeru príruby. Pracovné nástroje, ktoré nie sú presne upevnené do upínacieho mechanizmu ručného elektrického náradia, sa otáčajú nerovnomerne a intenzívne vibrujú, čo môže mať za následok stratu kontroly nad ručným elektrickým náradím.
- h) **Nepoužívajte žiadne poškodené pracovné nástroje.** Pred každým použitím tohto ručného elektrického náradia skontrolujte, či nie sú pracovné nástroje, ako napr. brúsne kotúče, vyštrbené alebo vyložené, či nemajú brúsne taniere vyložené miesta, trhliny alebo miesta intenzívneho potrebovania, či nie sú na drôtených kefách uvoľnené alebo polámané drôty. Keď ručné elektrické náradie alebo pracovný nástroj spadli na zem, prekontrolujte, či nie sú poškodené, alebo použite nepoškodený pracovný nástroj. Keď ste prekontrolovali a upli pracovný nástroj, zabezpečte, aby ste neboli v rovine rotujúceho nástroja, ani sa tam nenachádzali ani žiadne iné osoby, ktoré sú v blízkosti Vášho pracoviska, a nechajte ručné elektrické náradie bežať jednu minútu na maximálne obrátky. Poškodené pracovné nástroje sa obvyčajne za tento čas testovania zlomia.
- i) **Používajte osobné ochranné prostriedky.** Podľa druhu použitia náradia používajte ochranný štít na celú tvár, štít na oči alebo ochranné okuliare. Pokiaľ je to primerané, používajte ochrannú dýchaciu masku, chrániče sluchu, pracovné rukavice alebo špeciálnu zásteru, ktorá zadrží odletujúce drobné čiastočky brusiva a obrábaného materiálu. Predovšetkým oči treba chrániť pred odletujúcimi cudzími telieskami, ktoré vznikajú pri rôznom spôsobe používania náradia. Ochrana proti prachu alebo ochranná dýchacia maska musia predovšetkým odfiltrovať konkrétny druh prachu, ktorý vzniká pri danom druhu použitia náradia. Keď je človek dlhšiu dobu vystavený hlasnému huku, môže utrieť stratu sluchu.
- j) **Zabezpečte, aby sa iné osoby nachádzali v bezpečnej vzdialenosti od Vášho pracoviska. Každá osoba, ktorá vstúpi do pracovného dosahu náradia, musí byť vybavená osobnými ochrannými pomôckami.** Úlomky obrobru alebo zlomený pracovný nástroj môžu odletieť a spôsobiť poranenie osôb aj mimo priameho pracoviska.
- k) **Držte elektrické náradie len za izolované plochy rukoväti, ak vykonávate takú prácu, pri ktorej by mohli použiť pracovný nástroj natrafiť na skryté elektrické vedenia alebo zasiahnuť vlastnú prívodnú šnúru náradia.** Kontakt s elektrickým vedením, ktoré je pod napätím, môže dostať pod napätie aj kovové súčiastky náradia a spôsobiť zásah elektrickým prúdom.

- l) **Zabezpečte, aby sa prívodná šnúra nenachádzala v blízkosti rotujúcich pracovných nástrojov náradia.** Ak stratíte kontrolu nad ručným elektrickým náradím, môže sa prerušiť alebo zachytiť prívodná šnúra a Vaša ruka a Vaše predlaktie sa môžu dostať do rotujúceho pracovného nástroja.
- m) **Nikdy neodkladajte ručné elektrické náradie skôr, ako sa pracovný nástroj úplne zastaví.** Rotujúci pracovný nástroj sa môže dostať do kontaktu s odkladacou plochou, následkom čoho by ste mohli stratiť kontrolu nad ručným elektrickým náradím.
- n) **Nikdy nemajte ručné elektrické náradie zapnuté vtedy, keď ho prenášate na iné miesto.** Náhodným kontaktom Vašich vlasov alebo Vášho oblečenia s rotujúcim pracovným nástrojom by sa Vám pracovný nástroj mohol zavrtáť do tela.
- o) **Pravidelne čistite vetracie otvory svojho ručného elektrického náradia.** Ventilátor motora vŕhaje do telesa náradia prach a veľké nahromadenie kovového prachu by mohlo spôsobiť vznik nebezpečného zásahu elektrickým prúdom.
- p) **Nepoužívajte toto ručné elektrické náradie v blízkosti horľavých materiálov.** Odletujúce iskry by mohli tieto materiály zapáliť.
- q) **Nepoužívajte žiadne také pracovné nástroje, ktoré potrebujú chladenie kvapalinou.** Používanie vody alebo iných chladiacich prostriedkov môže mať za následok zásah elektrickým prúdom.
- 2) SPÄTNÝ RÁZ A VÝSTRAŽNÉ UPOZORNENIA**
- Spätňý ráz je náhlou reakciou náradia na vzpričený, zaseknutý alebo blokujúci pracovný nástroj, napríklad brúsny kotúč, brúsny tanier, drôtená kefa a pod. Zaseknutie alebo zablokovanie vedie k náhlému zastaveniu rotujúceho pracovného nástroja. Takýmto spôsobom sa nekontrolované ručné elektrické náradie rozkruží na zablokovanom mieste proti smeru otáčania pracovného nástroja.
 - Keď sa napríklad brúsny kotúč vzpričí alebo zablokuje v obrobku, môže sa hrana brúsneho kotúča, ktorá je zapichnutá do obrobku, zachytiť sa v materiáli a tým sa vylomit' z brúsneho taniera, alebo spôsobiť spätňý ráz náradia. Brúsny kotúč sa potom pohybuje smerom k osobe alebo smerom preč od nej podľa toho, aký bol smer otáčania kotúča na mieste zablokovania. Brúsne kotúče sa môžu v takomto prípade aj rozlomiť.
 - Spätňý ráz je následkom nesprávneho a chybného používania ručného elektrického náradia. Vhodnými preventívnymi opatreniami, ktoré popisujeme v nasledujúcom texte, mu možno zabrániť.
- a) **Ručné elektrické náradie vždy držte pevne a svoje telo a ruky udržiavajte vždy v takej polohe, aby ste vydržali prípadný spätňý ráz náradia. Pri každej práci používajte prídavnú rukoväť, ak ju máte k dispozícii, aby ste mali čo najväčšiu kontrolu nad silami spätňého rázu a reakčnými momentmi pri rozbehu náradia.** Pomocou vhodných opatrení môže obsluhujúca osoba sily spätňého rázu a sily reakčných momentov zvládnuť.
- b) **Nikdy nedávajte ruku do blízkosti rotujúceho pracovného nástroja.** Pri spätňom ráze by Vám mohol pracovný nástroj zasiahnuť ruku.

- c) **Nemajte telo v priestore, do ktorého by sa mohlo ručné elektrické náradie v prípade spätňého rázu vymrštiť.** Spätňý ráz vymršti ručné elektrické náradie v smere proti pohybu brúsneho kotúča na mieste blokovania.
- d) **Mimoriadne opatrne pracujte v oblasti rohov, ostrých hrán a pod. Zabráňte tomu, aby obrobok vymrštil pracovný nástroj proti Vám, alebo aby sa v ňom pracovný nástroj zablokoval.** Rotujúci pracovný nástroj má sklon zablokovať sa v rohoch, na ostrých hranách alebo vtedy, keď je vyhodeny. To má za následok stratu kontroly alebo spätňý ráz.
- e) **Nepoužívajte list na pílenie dreva ani iný ozubený pilový list.** Takéto pracovné nástroje často spôsobujú spätňý ráz alebo stratu kontroly nad ručným elektrickým náradím.

ĎALŠIE VÝSTRAŽNÉ UPOZORNENIA

VŠEOBECNE

- Tento nástroj používajte len na suché leštenie
- Používajte len príruby, ktoré sú dodané s týmto nástrojom
- Tento nástroj by nemali používať osoby mladšie ako 16 rokov
- **Pri nastavovaní alebo výmene príslušenstva vždy vytiahnite prívodný kábel zo zásuvky**
- **Neobrábajte materiál, ktorý obsahuje azbest** (azbest sa považuje za rakovinotvorný materiál)

PRÍSLUŠENSTVO

- SKIL zabezpečí bezchybný chod nástroja len ak sa používa správne príslušenstvo, ktoré môžete získať od vášho dílera SKIL
- Pri montáži/používaní iného príslušenstva ako SKIL si preštudujte pokyny daného výrobcu
- Používajte iba príslušenstvo, u ktorého hodnota prípustných obrátok zodpovedá minimálne najvyšším obrátkam náradia
- Nikdy nepoužívajte príslušenstvo so "slepým" otvorom so závitom, ktorý je menší ako M14 x 21 mm
- Nepoužívajte poškodené, zdeformované ani vibrujúce príslušenstvo
- Príslušenstvo narábajte a skladujte opatrne

POUŽITIE VONKU

- Pri použití von zapojte nástroj cez vypínač poruchového prúdu (FI), ktorý sa zapne ak intenzita prúdu prevyší 30 mA; použite len predlžovaciu šnúru, ktorá je zvlášť navrhnutá na vonkajšie použitie a ktorá má vodotesnú spojovaciu zástčku

PRED POUŽITÍM

- Vždy skontrolujte či je napájacie napätie rovnaké ako napätie uvedené na štítku nástroja
- Vždy namontujte pomocnú rukoväť A ② alebo B ②; nástroj bez nich nikdy nepoužívajte
- Prach z materiálu, akým je náter obsahujúci olovo, niektoré druhy dreva, minerály a kovy môže byť škodlivý (styk alebo nadýchanie prachu môže spôsobiť alergické reakcie a/alebo respiračné ochorenia obsluhy a okolostojacích osôb); **používajte ochrannú masku tváre a pracujte so zariadením na odsávanie prachu, ak je takéto zariadenie možné pripojiť**
- Určité druhy prachu sú klasifikované ako karcinogénne (akým dubový a bukový prach), a to hlavne v spojení s prísadami pre úpravu dreva; **používajte ochrannú**

masku tváre a pracujte so zariadením na odsávanie prachu, ak je takéto zariadenie možné pripojiť

- Dodržujte stanovené nariadenia pre prácu v prašnom prostredí
- **Zaistite obrábaný diel** (obrábaný diel uchytený pomocou upínacích zariadení alebo vo zveráku je oveľa bezpečnejší kým v ruke)
- Neupevňujte nástroj do zveráka
- Používajte úplne odmotanú a bezpečnú predlžovaciu šnúru s kapacitou 16 A

POČAS PRÁCE

- Vždy držte nástroj pevne oboma rukami a stojte bezpečne
- Elektrickú šnúru udržiavajte vždy mimo pohybujúcich sa častí nástroja; elektrickú šnúru vždy smerujte dozadu, mimo nástroja
- Ak je sieťová šnúra poškodená alebo ak sa prereže počas prevádzky, nedotýkajte sa jej ale ju ihneď odpojte z hlavnej elektrickej siete
- Nikdy nepoužívajte nástroj ak je šnúra poškodená; šnúru musí vymeniť kvalifikovaná osoba
- V prípade elektrickej alebo mechanickej poruchy zastavte okamžite nástroj a vyťahnite zástrčku z nástennej zásuvky
- V prípade prerušenia prúdu alebo pri náhodnom vytažení sa šnúry zo zástrčky, uvoľnite spínač H ② aby ste zabránili náhodnému nekontrolovanému spusteniu nástroja

PO PRÁCI

- Predtým, ako nástroj položíte, vypnite motor a presvedčte sa, že všetky pohybujúce sa časti úplne stoja
- Po vypnutí nástroja nikdy nezastavujte rotáciu príslušenstva tak, že ho budete zastavovať priečnou silou proti nemu

VYSVETLENIE SYMBOLOV NA NÁSTROJI

- ③ Pred použitím si prečítajte návod na obsluhu
- ④ Používajte ochranné okuliare a tlmíče hluku na uši
- ⑤ Dvojité izolácia (nevyžaduje sa uzemňovací kábel)
- ⑥ Nástroj nevyhadzujte do komunálneho odpadu

POUŽITIE

- Montáž pomocných rúkavätí ⑦
- ! **odpojte zástrčku**
- priskrutkujte pomocnú rúčku A na pravú alebo na ľavú stranu nástroja (podľa práce, ktorá sa má vykonávať)
- namontujte pomocnú rúčku B podľa obrázka a utiahnite obe dodané skrutky imbusovým kľúčom C
- Upínacie zariadenia ②
- ! **odpojte zástrčku**
- vyčistite vreteno D a všetky časti, ktoré sa montujú
- naskrutkujte tanier so suchým zipsom E na vreteno D, pričom držte stlačené tlačidlo na zaistenie vretena F
- ! **gombík F na zaistenie vretena stlačte až keď vreteno D zastane**
- vlnený leštiaci vankúš G jednoducho pritlačte na tanier so suchým zipsom E
- pri demontáži príslušenstva postupujte opačne
- Pred použitím nástroja
- zabezpečte, aby príslušenstvo bolo správne namontované a pevne utiahnuté
- skontrolujte či sa príslušenstvo voľne pohybuje tak, že ho pootočíte rukou


- otestujte beh nástroja tak, že ho v bezpečnej polohe necháte bežať najmenej 60 sekúnd bez záťaže pri najvyšších otáčkach
- v prípade, že sa objaví veľké vibrácie alebo iné vady, okamžite nástroj zastavte a skontrolujte ho, aby ste určili príčinu závady
- Zapínanie/vypínanie
- nástroj zapnite/vypnite stlačením/uvoľnením vypínača H ②
- Elektronické jemné spustenie
- Zaistuje hladké dosiahnutie maximálnych otáčok bez náhleho vplyvu pri zapnutí nástroja
- Aretácia vypínača pri nepretržitom používaní
- stlačte vypínač H
- palcom stlačte tlačidlo J
- zaistenie uvoľníte opätovným stlačením vypínača H a jeho uvoľnením
- Kontrola rýchlosti ⑧
- pomocou kolieska K je možné nastaviť rýchlosť otáčok od nízkych po vysoké (1-MAX)
- začnite s kolieskom K v polohe 1 (nižšia rýchlosť)
- v prípade potreby vyberte vyššiu rýchlosť za chodu nástroja
- optimálna pracovná rýchlosť závisí na materiáli a môžete ju stanoviť praktickou skúškou
- Prevádzka nástroja
- nástroj zapnite
- položte nástroj úplne na povrch, ktorý chcete leštiť, a rovnomerne ním pohybujte po častiach
- jeden pohyb by mal prekrývať predchádzajúci pohyb o polovicu
- nezastavujte sa na jednom meste, aby sa zabránilo zhoršeniu povrchovej úpravy
- nepohybujte nástrojom do kruhu, aby sa zabránilo poškvrneniu alebo zhoršeniu povrchovej úpravy
- ! **pred vypnutím nástroja by ste ho mali zdvihnúť z miesta obrábania**
- ! **príslušenstvo ešte chvíľu po vypnutí nástroja otáča**
- Držanie a vedenie nástroja ⑨
- ! **počas práce vždy držte nástroj v oblasti sivého držadla(iel)**
- vždy držte nástroj pevne obidvomi rukami, aby ste mali nástroj vždy plne pod kontrolou
- zaujmite bezpečnú polohu
- ! **na nástroj nevyvíjajte taký tlak, ktorý spôsobí jeho zastavenie**
- vetracie štrbiny L ② udržiavajte nezakryté

ÚDRŽBA / SERVIS

- Brúsku chráňte pred nárazom, otrasom a masťotou
- Nástroj a sieťovú šnúru udržiavajte stále čistou (zvlášť vetracie štrbiny L ②)
- ! **pred čistením odpojte z elektrickej siete**
- ! **nepekúšajte sa ich čistíť dpciatými predmetmi tak, že ich cez vetracie štrbiny budete prestrkávať**
- Ak by nástroj napriek starostlivej výrobe a kontrole predsa len prestal niekedy fungovať, treba dať opravu vykonať autorizovanej servisnej opravovni elektrického náradia SKIL
- pošlite nástroj **bez rozmontovania** spolu s dôkazom o kúpe; vášmu dilerovi alebo do najbližšieho

servisného strediska SKIL (zoznam adries servisných stredisiek a servisný diagram nástroja sú uvedené na www.skil.com)

ŽIVOTNÉ PROSTREDIE

- **Elektrické náradie, príslušenstvo a balenia nevyhadzujte do komunálneho odpadu** (len pre štáty EÚ)
 - podľa európskej smernice 2012/19/EG o nakladaní s použitými elektrickými a elektronickými zariadeniami a zodpovedajúcich ustanovení právnych predpisov jednotlivých krajín sa použité elektrické náradie musí zbierať oddelene od ostatného odpadu a podrobiť ekologicky šetrnej recyklácii
 - pripomenie vám to symbol , keď ju bude treba likvidovať

HLUKU / VIBRÁCIÁCH

- Merané podľa EN 60745 je úroveň akustického tlaku tohto nástroja 86 dB(A) a úroveň akustického výkonu je 97 dB(A) (štandardná odchýlka: 3 dB), a vibrácie sú 8,5 m/s² (súčet vektorov troch smerov; nepresnosť K = 1,5 m/s²)
- Hladina emisií od vibrácií bola nameraná v súlade s normalizovaným testom uvedeným v norme EN 60745; môže sa používať na vzájomné porovnávanie náradí a na predbežné posúdenie vystavenia účinkom vibrácií pri používaní náradia pre uvedené aplikácie
 - používanie náradia na rôzne aplikácie, alebo v spojení s rôznymi alebo nedostatočne udržiavanými doplnkami môže značne **zvýšiť** úroveň vystavenia
 - časové doby počas ktorých je je náradie vypnuté alebo počas ktorých náradie beží ale v skutočnosti nevykonáva prácu môžu značne **znižit'** úroveň vystavenia


! chráňte sa pred účinkami vibrácií tak, že budete náradie a jeho príslušenstvo správne udržiavať, tak že nebudete pracovať so studenými rukami a tak že si svoje pracovné postupy správne zorganizujete

HR

Alat za poliranje

9955

UVOD

- Ovaj alat namijenjen je za poliranje metala, plastike i površina s premazom, kao i za suho poliranje kamena
- Pažljivo pročitajte i sačuvajte ove upute za rukovanje 

TEHNIČKI PODACI

DIJELOVI ALATA

- A Pomoćna drška
- B Pomoćna drška (tip D)
- C Šesterokutni ključ
- D Vreteno
- E Brusni tanjur (VELCRO)
- F Gumb za aretiranje vretena

- G Vunena kapica
- H Prekidač uključeno/isključeno
- J Gumb za zaključavanje prekidača za uključivanje/isključivanje
- K Kotačić za kontrolu max. broja okretaja
- L Otvori za strujanje zraka

SIGURNOST

OPĆA SIGURNOSNA UPOZORENJA ZA ELEKTRIČNE ALATE

⚠ UPOZORENJE Pročitajte sva sigurnosna upozorenja, upute, ilustracije i specifikacije koje se isporučuju s ovim električnim alatom. Nepoštivanje dolje navedenih uputa može uzrokovati električni udar, požar i/ili ozbiljne ozljede. **Sva upozorenja i upute sačuvajte kao referencu za buduće upotrebe.** U daljnjem tekstu korišten pojam "električni alat" odnosi se na električne alate s priključkom na električnu mrežu (s mrežnim kablom) i na električne alate s napajanjem iz aku baterije (bez mrežnog kabela).

1) SIGURNOST NA RADNOM MJESTU

- Vaše radno područje održavajte čisto i uredno.**
Nered ili neosvijetljeno radno područje mogu doći do nezgoda.
- S uređajem ne radite u okolini ugroženoj eksplozijom, u kojoj se nalaze zapaljive tekućine, plinovi ili prašina.** Električni alati proizvode iskre koje mogu zapaliti prašinu ili pare.
- Djecu i ostale osobe držite dalje tijekom korištenja električnog alata.** Ako bi skrenuli pozornost sa posla mogli bi izgubiti kontrolu nad uređajem.

2) ELEKTRIČNA SIGURNOST

- Priključni utikač uređaja treba odgovarati utičnici.** Na utikaču se ni u kojem slučaju ne smiju izvoditi izmjene. Ne koristite adapterske utikače zajedno sa uređajima koji su zaštićeni uzemljenjem. Originalni utikač i odgovarajuće utičnice smanjuju opasnost od električnog udara.
- Izbjegavajte dodir tijela s uzemljenim površinama kao što su cijevi, centralno grijanje, štednjaci i hladnjaci.** Postoji povećana opasnost od električnog udara ako je vaše tijelo uzemljeno.
- Držite uređaj dalje od kiše ili vlage.** Prodiranje vode u električni uređaj povećava opasnost od električnog udara.
- Priključni kabel ne koristite za nošenje, vješanje ili za izvlačenje utikača iz utičnice.** Držite kabel dalje od izvora topline, ulja, oštih rubova ili pomičnih dijelova uređaja. Oštećen ili usukan kabel povećava opasnost od električnog udara.
- Ako s električnim uređajem radite na otvorenom, koristite samo produžni kabel odobren za uporabu na otvorenom.** Primjena produžnog kabela prikladnog za uporabu na otvorenom smanjuje opasnost od električnog udara.
- Ako se ne može izbjeći uporaba električnog alata u vlažnoj okolini, upotrijebite sigurnosna sklopka za propuštanje u zemlju.** Upotrebom sigurnosne sklopke

za propuštanje u zemlju smanjuje se opasnost od električnog udara.

3) SIGURNOST LJUDI

- a) **Budite oprezni, pazite što činite i postupajte razumno kod rada s električnim alatom. Ne koristite uređaj ako ste umorni ili pod utjecajem opojnih sredstava, alkohola ili lijekova.** Trenutak nepažnje kod uporabe uređaja može doći do ozbiljnih ozljeda.
 - b) **Nosite sredstva osobne zaštite i uvijek zaštitne naočale.** Nošenje sredstava osobne zaštite, kao što je zaštitna maska, sigurnosne cipele koje ne klize, zaštitne kacige ili štitnika za sluh, ovisno od vrste i primjene električnog alata, smanjuje opasnost od nezgoda.
 - c) **Izbjegavajte nehotično puštanje u rad. Prije nego što ćete utaknuti utikač u utičnicu i/ili staviti aku-bateriju, provjerite je li električni alat isključen.** Ako kod nošenja električnog alata imate prst na prekidaču ili se uključen uređaj priključi na električno napajanje, to može dovesti do nezgoda.
 - d) **Prije nego što uređaj uključite, uklonite alate za podešavanje ili vijčane ključeve.** Alat ili ključ koji se nalazi u rotirajućem dijelu uređaja može doći do nezgoda.
 - e) **Ne precjenjujte svoje sposobnosti. Zauzmite siguran i stabilan položaj tijela i držite u svakom trenutku ravnotežu.** Na taj način možete uređaj bolje kontrolirati u neočekivanim situacijama.
 - f) **Nosite prikladnu odjeću. Ne nosite široku odjeću ili nakit. Kosu i odjeću držite dalje od pomičnih dijelova.** Široku odjeću, dugu kosu ili nakit mogu zahvatiti pomični dijelovi.
 - g) **Ako se mogu montirati naprave za usisavanje i hvatanje prašine, provjerite da li su iste priključene i da li se pravilno koriste.** Primjena naprave za usisavanje može smanjiti ugroženost od prašine.
 - h) **Nemojte postati previše bezbrižni i zanemariti sigurnosne upute zato što alat često upotrebljavate i smatrate da ste ga dobro poznali.** Samo jedan trenutak nepažnje dovoljan je za nastanak ozbiljnih ozljeda.
- ### 4) BRIŽLJIVA UPORABA ELEKTRIČNIH ALATA
- a) **Ne preopterećujte uređaj. Koristite za vaše radove za to predviđen električni alat.** S odgovarajućim električnim alatom radit ćete bolje i sigurnije, u navedenom području učinka.
 - b) **Ne koristite električni alat čiji je prekidač neispravan.** Električni alat koji se više ne može uključiti ili isključiti, opasan je i treba se popraviti.
 - c) **Alat prije podešavanja, izmjene pribora i odlaganja isključite iz izvora napajanja i/ili izvadite komplet baterije, ako se vadi iz uređaja.** Ovim mjerama opreza izbjeći će se nehotično uključivanje električnog alata.
 - d) **Nekorištene električne alate spremite izvan dosega djece. Ne dopustite da uređaj koriste osobe koje s njim nisu upoznate ili koje nisu pročitale upute za uporabu.** Električni alati su opasni ako ih koriste neiskusne osobe.
 - e) **Redovno održavajte električne alate i pribor.** Kontrolirajte da li pomični dijelovi uređaja besprijekorno rade i da nisu zaglavjeni, te da li su dijelovi polomljeni ili tako oštećeni da negativno djeluju na funkciju uređaja. Popravite oštećene

dijelove prije uporabe uređaja. Mnoge nezgode imaju svoj uzrok u loše održanim uređajima.

- f) **Rezne alate održavajte oštrim i čistim.** Pažljivo održavani rezni alati s oštrim oštricama neće se zaglaviti i lakši su za vođenje.
 - g) **Koristite električne alate, pribor, radne alate, itd., prema navedenim uputama. Pri tome uzmete u obzir radne uvjete i radove koje se izvode.** Uporaba električnih alata za neke druge primjene različite od predviđenih, može doći do opasnih situacija.
 - h) **Ručke i zahvatne površine održavajte suhima, čistima i pazite da na njih ne dospiju ulje ili mast.** Skliske ručke i zahvatne površine onemogućuju sigurno rukovanje i alat se teško kontrolira u neočekivanim situacijama.
- ### 5) SERVISIRANJE
- a) **Popravlak uređaja prepustite samo kvalificiranom stručnom osoblju i samo s originalnim rezervnim dijelovima.** Na taj će se način postići održanje stalne sigurnosti uređaja.

UPUTE ZA SIGURAN RAD S ALATOM ZA POLIRANJE

- 1) **ZAJEDNIČKE NAPOMENE UPOZORENJA ZA POLIRANJE**
 - a) **Ovaj električni alat namijenjen je za poliranje. Pridržavajte se svih naputaka s upozorenjem, uputa, prikaza i podataka koje ste dobili s električnim alatom.** Ako se ne bi pridržavali slijedećih uputa, moglo bi doći do električnog udara, požara i/ili teških ozljeda.
 - b) **Ne preporučuje se za grubo brušenje, pjeskarenje, za rad sa žičanim četkama ili rezanje.** Postupci za koje alat nije namijenjen mogu izazvati opasne situacije i ozljede.
 - c) **Ne dopustite labave dijelove haube za poliranje, osobito uzice za pričvršćenje. Uzice za pričvršćenje na odgovarajući način smjestite ili skratite.** Ovakve labave uzice koje rotiraju mogle bi zahvatiti vaše prste ili izradak.
 - d) **Ne koristite pribor koji proizvođač nije specijalno predvidio i preporučio za ovaj električni alat.** Samo što ste pribor pričvrstili na vaš električni alat, ne jamči njegovu sigurnu primjenu.
 - e) **Dopušteni broj okretaja radnog alata treba biti najmanje toliko velik kao maksimalni broj okretaja naveden na električnom alatu.** Pribor koji bi se vrtio brže nego što je dopušteno, mogao bi se oštetiti.
 - f) **Vanjski promjer i debljina radnog alata moraju odgovarati dimenzionalnim podacima vašeg električnog alata.** Pogrešno dimenzionirani radni alati ne mogu se dovoljno zaštititi ili kontrolirati.
 - g) **Radni alati s navojnim umetkom moraju točno odgovarati navoju brusnog vretena. Za radne alate koji se montiraju pomoću prirubnice, promjer perforacije radnog alata mora odgovarati promjeru stezanja prirubnice.** Radni alati koji se ne pričvršćuju točno na električni alat, okreću se nejednolično, jako vibriraju i mogu dovesti do gubitka kontrole nad električnim alatom.
 - h) **Ne koristite oštećene radne alate. Kontrolirajte prije svake primjene radne alate kao što su brusne ploče na odlamanje komadića i na pukotine, brusne tanjure na pukotine, trošenje ili jaku istrošenost,**

žičane četke na popuštene ili odlomljene žice. Ako bi električni alat ili radni alat pao, provjerite da li je oštećen ili koristite neoštećeni radni alat. Kada radni alat imate pod kontrolom i kada s njim radite, držite ga tako da se druge osobe nađu izvan ravnine rotirajućeg radnog alata, i ostavite da se električni alat jednu minutu vrti s maksimalnim brojem okretaja. Oštećeni radni alati pucaju najčešće u ovo vrijeme ispitivanja.

- i) **Nosite osobnu zaštitnu opremu. Ovisno od primjene koristite punu zaštitu lica, zaštitu očiju ili zaštitne naočale. Ukoliko je to primjerno, nosite masku za zaštitu od prašine, štitičnik za sluh, zaštitne rukavice ili specijalnu pregaču, koja će vas zaštititi od manjih čestica od brušenja i materijala.** Oči treba zaštititi od letećih stranih tijela, koja bi mogla nastati kod različitih primjena. Maska za zaštitu od prašine ili maska za disanje mora kod primjene filtrirati nastalu prašinu. Ako ste dulje vrijeme izloženi glasnoj buci, mogli bi doživjeti oštećenje sluha.
- j) **Kada se radi o drugim osobama pazite na siguran razmak od vašeg radnog područja. Svatko tko bi stupio u radno područje, mora nositi osobnu zaštitnu opremu.** Odlomljeni komadići izratka ili radnog alata mogu odletjeti i uzrokovati ozljede i izvan izravnog radnog područja.
- k) **Električni alat držite samo na izoliranim površinama zahvata, kada radite na mjestima gdje bi svrdlo moglo oštetiti skrivene električne kablove ili vlastiti priključni kabel.** Kontakt sa vodom pod naponom može i metalne dijelove električnog alata staviti pod napon i dovesti do strujnog udara.
- l) **Mrežni kabel držite dalje od rotirajućih radnih alata.** Ako ste izgubili kontrolu nad električnim alatom, mrežni kabel bi se mogao odrezati ili bi mogao biti zahvaćen, a vaše ruke bi mogao zahvatiti rotirajući radni alat.
- m) **Električni alat nikada ne odlažite prije nego što se radni alat potpuno zaustavi.** Rotirajući radni alat bi mogao zahvatiti površinu odlaganja, te bi moglo doći do gubitka kontrole nad radnim alatom.
- n) **Ne dopustite da električni alat radi dok ga nosite.** Kod slučajnog dodira vašu bi odjeću mogao zahvatiti rotirajući radni alat i ozlijediti vas.
- o) **Redovito čistite otvore za hlađenje vašeg električnog alata.** Ventilator motora uvlači prašinu u kućište, a veće nakupljanje metalne prašine može uzrokovati električne opasnosti.
- p) **Električni alat ne koristite blizu zapaljivih materijala.** Iskre mogu zapaliti ovaj materijal.
- q) **Ne koristite radne alate koji zahtijevaju tekuće rashladno sredstvo.** Primjena vode ili ostalih tekućih rashladnih sredstava može doći do električnog udara.

2) POV RATNI UDAR I ODGOVARAJUĆE NAPOMENE UPOZORENJA

- Povratni udar je iznenadna reakcija zbog zaglavljenog ili blokiranog radnog alata u rotaciji, kao što su brusne ploče, brusni tanjuri, žičane četke, itd. Zaglavlivanje ili blokiranje dovodi do naglog zaustavljanja rotirajućeg radnog alata. Zbog toga će se nekontrolirani električni alat ubrzati suprotno smjeru rotacije radnog alata na mjestu blokiranja.

- Ako bi se npr. brusna ploča zaglavila ili blokirala u izratku, mogao bi se rub brusne ploče koji je zarezao u izradak zahvatiti i time odlomiti brusnu ploču ili uzrokovati povratni udar. Brusna ploča će se u tom slučaju pomaknuti prema osobi koja rukuje ili od nje, ovisno od smjera rotacije brusne ploče na mjestu blokiranja. Kod toga bi se brusne ploče mogle i odlomiti.
- Povratni udar je posljedica pogrešne ili manjkave uporabe električnog alata. On se može spriječiti prikladnim mjerama opreza, kako je to opisano u daljnjem tekstu.
- a) **Električni alat držite čvrsto i dovedite vaše tijelo i ruke u položaj u kojem možete preuzeti sile povratnog udara. Ukoliko postoji, koristite uvijek dodatnu ručku, kako bi kod rada s uređajem imali najveću moguću kontrolu nad silama povratnog udara ili momentima reakcije.** Osoba koja rukuje uređajem može prikladnim mjerama opreza ovladati silama povratnog udara i silama reakcije.
- b) **Vaše ruke nikada ne stavljajte blizu rotirajućeg radnog alata.** Radni alat bi se kod povratnog udara mogao pomaknuti preko vaše ruke.
- c) **Izbjegavajte s vašim tijelom područje u kojem se električni alat pomiče kod povratnog udara.** Povratni udar potiskuje električni alat u smjeru suprotnom od pomicanja brusne ploče na mjestu blokiranja.
- d) **Radite posebno oprezno u području uglova, oštrih rubova, itd. Spriječite da se radni alat odbije natrag od izratka i uklješti.** Rotirajući radni alat je na uglovima, oštrim rubovima ili kada bi odskočio, sklon uklještenju. To dovodi do gubitka kontrole nad uređajem ili povratnog udara.
- e) **Ne koristite lančani ili nazubljeni list pile.** Takvi radni alati često uzrokuju povratni udar ili gubitak kontrole nad električnim alatom.

DODATNE UPUTE ZA SIGURNOST

OPĆENITO

- Ovaj uređaj služi samo za suho poliranje
- Uređaj koristiti samo sa isporučenom priručnicom
- Uređaj ne bi smjele koristiti osobe mlađe od 16 godina
- **Prije svih radova održavanja, podešavanja ili izmjene alata i pribora treba izvući utikač iz mrežne utičnice**
- **Ne obrađujte materijal koji sadrži azbest** (azbest se smatra kancerogenim)

PRIBOR

- SKIL može osigurati besprijekoran rad uređaja samo ako se koristi odgovarajući pribor, koji se može dobiti u specijaliziranoj trgovačkoj mreži ili kod ovlaštenog distributera SKIL proizvoda
- Kod primjene proizvoda drugih proizvođača, molimo pridržavati se njihovih uputa za uporabu
- Upotrebljavajte pribor čija dopuštena brzina odgovara najvećoj brzini alata u praznom hodu
- Nikada ne koristite brusne ploče sa zatvorenim navojem ispod veličine M14 x 21 mm
- Ne smiju se koristiti napukle, deformirane ili vibrirajuće dodatnu opremu
- Pribor postupati i spremati oprezno

UPORABA NA OTVORENOM

- Kod primjene na otvorenom, uređaj priključiti preko zaštitne sklopke struje kvara (FI), s okidačkom strujom od max. 30 mA i koristiti samo za to predviđen produžni kabel, koji je na priključnom mjestu zaštićen od prskanja

PRIJE UPORABE

- Uvijek provjerite je li napon napajanja isti kao onaj naveden na tipskoj pločici uređaja
- Uvijek montirajte pomoćnu ručicu A ② ili B ②; nikada ne koristite alat bez nje
- Prašina od materijala kao što su boje koje sadrže olovo, neke vrste drveća, minerali i metal mogu biti opasne (dodir s prašinom ili njeno udisanje mogu prouzročiti alergične reakcije i/ili respiratorna oboljenja rukovatelja ili posmatrača); **nosite masku za zaštitu od prašine i radite s uređajem za ekstrakciju prašine ukoliko ga možete priključiti**
- Određene vrste prašine klasificiraju se kao karcinogenske (kao što su prašina hrastovine i bukovine), osobito u sudejstvu s aditivima za kondicioniranje drveta; **nosite masku za zaštitu od prašine i radite s uređajem za ekstrakciju prašine ukoliko ga možete priključiti**
- Nacionalni uvjeti za materijale s kojima želite raditi
- **Osigurajte izradak** (izradak je sigurnije pričvršćen pomoću stezaljke ili škripa nego da ga držite rukom)
- Ne pritežite uređaj u škripac
- Upotrebljavajte samo neodmotane i zaštićene produžne kabele kapaciteta 16 ampera

TIJEKOM UPORABE

- Kod rada alat uvijek čvrsto držati s obje ruke i zauzeti siguran i stabilan položaj tijela
- Kabel uvijek držati dalje od rotirajućih dijelova uređaja; kabel povlačiti iza uređaja
- Ako se tijekom rada priključni kabel ošteti ili odreže, ne dirati priključni kabel, nego odmah izvući mrežni utikač
- Nikad ne upotrebljavajte alat kad su kabel oštećeni; neka iz zamijeni kvalificirana osoba
- U slučaju neuobičajenog ponašanja uređaja ili neobičnih šumova, uređaj treba odmah isključiti i izvući utikač iz mrežne utičnice
- Kod prekida opskrbe strujom ili nehotičnog izvlačenja utikača iz mrežne utičnice, otpustiti prekidač H ② kako bi se spriječilo nekontrolirano pokretanje uređaja

NAKON UPORABE

- Čim se udaljite od uređaja trebate ga isključiti i da se brusna ploča zaustavi do stanja mirovanja
- Nakon što isključite uređaja, vrtnju rotirajućih dijelova nikad ne zaustavljajte primjenom bočne sile

POJAŠNJENJE SIMBOLA NA UREĐAJU

- ③ Prije upotrebe pročitajte korisnički priručnik
- ④ Nositi zaštitne naočale i štitnike za sluh
- ⑤ Dvostruka izolacija (dozemna žica nije potrebna)
- ⑥ Uređaj ne bacajte u kućni otpad

POSLUŽIVANJE

- Montaža pomoćne ručice ⑦
! izvući mrežni utikač
- zavijte pomoćnu dršku A na desnu ili lijevu stranu alata (ovisno o poslu koji ćete obavljati)

- montirajte pomoćnu ručicu B prema prikazu na slici i privijte oba vijka šesterokutnim ključem C
- Montirajte/skinite brusnu ploču ②
! izvući mrežni utikač
- očistite vreteno D i sve montirane dijelove
- pritegnite podlošku s ČIČKOM E na osovinu D, uz pritisak na gumb za aretiranje osovine F
! pritisnite gumb za aretiranje vretena F samo kada je vreteno D u mirovanju
- jednostavno pritisnite vuneni poklopac G na podlošku s ČIČKOM E
- kod skidanja pribora postupiti obrnutim redoslijedom
- Prije uporabe vašeg uređaja
- osigurajte da pribora bude ispravno montirana i čvrsto stegnuta
- rukom provjeriti slobodnu rotaciju pribore
- provesti probni rad, tako da pribora može najmanje 60 sekundi rotirati s najvećom brzinom
- kod većih vibracija ili drugih neispravnosti, uređaj odmah isključiti i pronaći moguće uzroke
- Uključivanje/isključivanje
- uređaj uključite/isključite povlačenjem/otpuštanjem prekidača H ②
- Elektroničko meko pokretanje
Osigurava dosizanje maksimalne brzine bez trenutačnog trzaja kod uključivanja uređaja
- Aretiranje prekidača za stalan rad
- povucite prekidač H
- palcem pritisnite gumb J
- prekidač otključajte tako da prekidač H ponovo povučete, a zatim otpustite
- Kontrola brzine ⑧
- kotačićem K se maksimalni broj okretaja namješta od najmanjeg do najvećeg (1-MAX)
- započinite s kotačem K u položaju 1 (niža brzina)
- ako je potrebno, odaberite višu brzinu dok alat radi
- optimalna radna brzina ovisi o materijalu i može se utvrditi probnim radovima
- Posluživanje uređaja
- uključite uređaj
- postavite alat potpuno na površinu koju treba polirati i pomičite ga postupno po dijelovima
- svaki bi se pokret trebao preklapati s prethodnim za polovicu
- nemojte stati na jednom mjestu kako ne biste pregoreli oblogu/premaz
- nemojte pomicati alat u krugovima kako ne biste stvorili mrlje ili pregorijevanje obloge/premaza
! prije isključivanja alata, isti se treba skinuti sa izratka
! nakon isključivanja uređaja brusna ploča se još uvijek okreće nekoliko sekundi
- Držanje i vođenje uređaja ⑨
! alat kod primjene, držati samo na sivo označenim područjima
- uređaj čvrsto držite s obje ruke, kako bi ga uvijek imali pod kontrolom
- paziti na siguran i stabilan položaj tijela
! ne djelovati tolikim pritiskom na uređaj kod rada da se on zaustavi pod opterećenjem
- otvore za strujanje zraka L ② držite nepokriveno

ODRŽAVANJE / SERVISIRANJE

- Zaštitite alat od udaraca, potresanja i zamašćivanja
- Održavajte čistim uređaj i kabel (osobito otvore za hlađenje L ②)
 - ! prije čišćenja treba izvući mrežni utikač
 - ! ne pokušavajte tako čistiti da oštar predmet stavljate kroz proreze
- Ako bi uređaj unatoč brižljivih postupaka izrade i ispitivanja ipak prestao raditi, popravak treba prepustiti ovlaštenom servisu za SKIL električne alate
 - uređaj treba **nerastavljeno** predati, zajedno s računom o kupnji u najbližu SKIL ugovornu servisnu radionicu (popise servisa, kao i oznake rezervnih dijelova uređaja možete naći na adresi www.skil.com)

ZAŠTITA OKOLIŠA

- **Električne alate, pribor i ambalažu ne bacajte u kućni otpad** (samo za EU-države)
 - prema Europskoj direktivi 2012/19/EG o staroj električnoj i elektroničkoj opremi i njenoj primjeni u skladu sa nacionalnim zakonom, istrošeni električni alati moraju se sakupljati odvojeno i odvesti u posebne pogone za reciklažu
 - na to podsjeća simbol ⑥ kada se javi potreba za odlaganjem

BUKA / VIBRACIJA

- Mjereno prema EN 60745 prag zvučnog tlaka ovog električnog alata iznosi 86 dB(A) a jakost zvuka 97 dB(A) (standardna devijacija: 3 dB), a vibracija 8,5 m/s² (vektorski zbroj u tri smjera; nesigurnost K = 1,5 m/s²)
- Razina emitiranja vibracija izmjerena je sukladno normiranom testu danom u EN 60745; ona se može koristiti za usporedbu jedne alatke s drugom, te preliminarnu procjenu izloženosti vibracijama pri uporabi alatke za navedene namjene
 - uporaba ove alatke za druge namjene ili s drugim ili slabo održanim nastavcima, može u značajnoj mjeri **uvećati** razinu izloženosti
 - vrijeme tokom kojega je alatka isključena, ili je uključena ali se njome ne radi, može značajno **umanjiti** razinu izloženosti
- ! **zaštitite se od posljedica vibracija održavanjem alatke i njezinih nastavaka, održavanjem Vaših ruku toplima, te organiziranjem Vaših obrazaca rada**

SRB

Alat za glačanje

9955

UPUTSTVO

- Ovaj alat je namenjen za glačanje metala, plastike i obloženih površina kao i za glačanje materijala od kamena bez upotrebe vode
- Pažljivo pročitajte i sačuvajte ova uputstva za rukovanje ③

TEHNIČKI PODACI ①

ELEMENTI ALATA ②

- A Pomoćna ručica
- B Pomoćna ručica (tip D)
- C Imbus ključa
- D Vreteno
- E Potporni jastučići (VELCRO)
- F Dugme za zaključavanje vretana
- G Poklopac sa vunom
- H Prekidač za uključivanje/isključivanje
- J Dugme za zaključavanje prekidača za uključivanje/isključivanje
- K Točak za kontrolu maksimalne brzine
- L Prorezi za hlađenje

SIGURNOST

OPŠTA SIGURNOSNA UPOZORENJA ZA ELEKTRIČNI ALAT

UPOZORENJE Pročitajte sva sigurnosna upozorenja, uputstva, ilustracije i specifikacije isporučene uz ovaj električni alat. Propusti kod pridržavanja svih dole navedenih uputstava mogu imati za posledicu električni udar, požar i/ili teške povrede. **Sačuvajte sva upozorenja i uputstva za buduću upotrebu.** Pojam upotrebljen u upozorenjima "električni alat" odnosi se na električne alate sa radom na mreži (sa mrežnim kablom) i na električne alate sa radom na akumulator (bez mrežnog kabla).

1) SIGURNOST NA RADNOM MESTU

- Držite Vaše područje rada čisto i pospremljeno.**
Nered ili neosvetljena radna područja mogu voditi nesrećama.
- Ne koristite električni alat tamo gde postoji opasnost od eksplozije kao npr. u prisustvu zapaljivih tečnosti, gasova ili prašine.** Električni alati proizvode varnice, koje mogu zapaliti prašinu ili isparenja.
- Za vreme korišćenja električnog alata držite podalje decu i druge osobe.** Kod skretanja možete izgubiti kontrolu nad alatom.

2) ELEKTRIČNA SIGURNOST

- Utikač električnog alata mora odgovarati utičnici.** Nikada nemojte modifikovati utikač. Ne upotrebljavajte adaptere utikača sa uzemljenim električnim alatom. Nemodifikovani utikači i odgovarajuće utičnice smanjuju rizik od električnog udara.
- Izbegavajte telesni kontakt sa uzemljenim gornjim površinama, kao što su cevi, grejanja, šporeti i rashladni ormani.** Postoji povećani rizik od električnog udara, ako je Vaše telo uzemljeno.
- Ne izlažite električni alat kiši ili vlažnim uslovima.** Prodor vode u električni alat povećava rizik od električnog udara.
- Ne zloupotrebljavajte kabl. Nikada nemojte koristiti kabl za nošenje i vučenje električnog alata ili za izvlačenje iz utičnice. Držite kabl dalje od vreline, ulja, oštih ivica ili pokretnih delova.** Oštećeni ili umršeni kablovi povećavaju rizik električnog udara.

- e) **Ako sa nekim električnim alatom radite u prirodi, upotrebljavajte samo produžne kablove koji su dozvoljeni za spoljno područje.** Upotreba produžnog kabla pogodnog za spoljno područje smanjuje rizik od električnog udara.
- f) **Ako rad električnog alata ne može da se izbegne u vlažnoj okolini, koristite prekidač strujne zaštite pri kvaru.** Upotreba prekidača strujne zaštite pri kvaru smanjuje rizik od električnog udara.

3) SIGURNOST OSOBA

- a) **Budite oprezni, pazite na to šta radite i razumno rukujte Vašim električnim alatom. Ne koristite električni alat dok ste umorni ili pod uticajem narkotika, alkohola ili lekova.** Momenat nepažnje kod upotrebe električnog alata može rezultirati ozbiljnim povredama.
- b) **Nosite ličnu zaštitnu opremu i uvek zaštitne naočare.** Nošenje lične zaštitne opreme, kao maske za prašinu, sigurnosne cipele koje ne klizaju, zaštitni šlem ili zaštitu za sluh, zavisno od vrste i upotrebe električnog alata, smanjujete rizik od povreda.
- c) **Sprečite nenamerno puštanje u rad. Pre priključivanja na struju i/ili na akumulatorsku bateriju, podizanja ili nošenja alata uverite se da je prekidač isključen.** Nošenje električnog alata sa prstom na prekidaču ili priključivanje na struju uključenog električnog alata vodi do nesreće.
- d) **Uklonite bilo kakve ključeve za podešavanje ili ključeve za zavrtnjeve, pre nego što uključite električni alat.** Ostavljanje ključa za zavrtnjeve ili ključa prikačene na rotirajući deo električnog alata može rezultirati ličnom povredom.
- e) **Ne zauzimajte neadekvatan položaj. Sve vreme držite ravnotežu i pravilan položaj nogu.** Ovo omogućava bolje upravljanje električnim alatom u neočekivanim situacijama.
- f) **Nosite pogodno odelo. Ne nosite široko odelo ili nakit. Držite kosu i odeću dalje od pokretnih delova.** Opušteno odelo, nakit ili duža kosa mogu biti zahvaćeni od rotirajućih delova.
- g) **Ako se mogu montirati uredjaji za usisavanje prašine i uredjaji za hvatanje prašine, uverite se da li su priključeni i ispravno koriste.** Upotreba usisavanja prašine može smanjiti opasnosti od prašine.
- h) **Ne dozvolite da pouzdanje koje ste stekli čestom upotrebom alata utiče na to da postanete neoprezni i da zanemarite sigurnosne principe za upotrebu alata.** Neoprezno delovanje može prouzrokovati teške povrede u deliću sekunde.

4) BRIŽLJIVO OPHODJENJE I KORIŠĆENJE ELEKTRIČNIH ALATA

- a) **Ne preopterećujte električni alat. Koristite električni alat koji odgovara Vašoj primeni.** Sa odgovarajućim električnim alatom radite bolje i sigurnije tempom za koji je projektovan.
- b) **Ne upotrebljavajte električni alat, čiji je prekidač u kvaru.** Električni alat koji više ne može da se uključi ili isključi je opasan i mora da se popravi.
- c) **Izvučite utikač iz utičnice i/ili izvadite akumulatorsku bateriju, ukoliko je to moguće, iz električnog alata pre nego što izvršite bilo kakva podešavanja, promenu pribora ili pre nego što uskladištite**

- električni alat.** Takve preventivne sigurnosne mere smanjuju rizik od slučajnog pokretanja električnog alata.
- d) **Čuvajte električne alate koje ne koristite izvan domašaja dece i ne dozvoljavajte osobama, koje nisu upoznate sa ovim električnim alatom ili sa ovim uputstvima, da rukuju električnim alatom.** U rukama neobučanih korisnika električni alati postaju opasni.
- e) **Održavajte električni alat i pribore. Proverite da li su pokretni delovi u ravni i da li negde zapinju, da nije došlo do lomljenja delova i svako drugo stanje koje može uticati na rad električnog alata. Ukoliko je oštećen, odnesite električni alat na popravku pre korišćenja.** Mnoge nesreće su prouzrokovane lošim održavanjem električnih alata.
- f) **Držite alate za sečenje oštre i čiste.** Brižljivo negovani alati za sečenje sa oštrim sečivima manje slepljuju i lakše se vode.
- g) **Upotrebljavajte električne alate, pribor, alate koji se umeću itd. prema ovim uputstvima. Obratite pažnju pritom na uputstva za rad i posao koji treba izvesti.** Upotreba električnih alata za druge od propisanih namena može voditi opasnim situacijama.
- h) **Održavajte drške i prihvatne površine suvim, čistim i bez ostataka ulja ili masnoće.** Klizave drške ili prihvatne površine ne omogućavaju bezbedno rukovanje i upravljanje alatom u neočekivanim situacijama.

5) SERVISIRANJE

- a) **Vaš električni alat dajte na servisiranje samo kvalifikovanim licu za popravku, koristeći pritom samo identične rezervne delove.** Ovo će osigurati očuvanje bezbednosti električnog alata.

SIGURNOSNA UPUTSTVA ZA ALATE ZA GLAČANJE

1) ZAJEDNIČKO UPUTSTVO SA UPOZORENJEM ZA POLIRANJE

- a) **Ovaj električni alat je predviđen da se koristi kao mašina za glačanje. Obratite pažnju na sva upozorenja, uputstva, prikaze i podatke, koje dobijate sa električnim priborom.** Ako ne obraćate pažnju na sledeća uputstva, može doći do električnog udara, požara i / ili teških povreda.
- b) **Ovaj električni uređaj se ne preporučuje za brušenje, šmirglanje, žičano četkanje ili postupke rezanja.** Postupci za koje električni uređaj nije predviđen mogu da prouzrokuju opasnost i povredu.
- c) **Ne dopustite otpuštene delove na haubi za poliranje, posebno stezače. Dobro namestite ili skratite stezače.** Otpušteni i stezač koji se zajedno okreće može zahvatiti Vaše prste ili se uvrtati u radnom komadu.
- d) **Ne upotrebljavajte pribor koji od proizvođača nije specijalno predviđen i preporučen za ovaj električni pribor.** Samo zato što možete pribor pričvrstiti na Vašem električnom priboru ne garantuje sigurnu upotrebu.
- e) **Dozvoljeni broj obrtaja upotrebljenog pribora mora najmanje da bude velik, koliko i navedeni najveći obrtaji na električnom priboru.** Pribor koji se okreće brže od dozvoljenog, može se uništiti.
- f) **Spoljni presek i debljina upotrebljenog pribora moraju odgovarati mernim podacima Vašeg električnog pribora.** Pogrešno izmeren upotrebljeni pribor ne može se dovoljno zaštititi ili kontrolisati.

- g) **Upotrebljeni alati sa navojem moraju tačno odgovarati navoju brusnog vretena. Kod upotrebljenih alata, koji se montiraju pomoću prirubnice, mora presek otvora upotrebljenog alata da odgovara preseku prihvata na prirubnici.**

Upotrebljeni alati koji se ne pričvršćuju tačno na električnom alatu, se okreću neravnomerno, vibriraju veoma jako i mogu uticati na gubitak kontrole.

- h) **Ne koristite oštećene upotrebljene pribore. Pre svakog korišćenja prokontrolišite upotrebljene pribore da li su zacepljeni i naprsli, brusni diskovi naprsli, izlizani ili jako pohabani, žičane četke da li imaju slobodnih ili polomljenih žica. Ako električni pribor ili upotrebljeni pribor padne dole, prokontrolišite da li je oštećen ili upotrebljavajte neoštećen pribor. Ako ste uzeti pribor prokontrolisali i upotrebili, držite se kao i osobe koje se nalaze u blizini izvane ravni upotrebljenog pribora koji se okreće i postavite električni pribor da jedan minut radi sa najvećim obrtajima. Oštećeni upotrebljeni pribori uglavnom se u ovom vremenu probe lome.**
- i) **Nosite ličnu zaštitnu opremu. Koristite zavisno od namene zaštitu za celo lice, zaštitu za oči ili zaštitne naočare. Ako odgovara nosite masku za prašinu, zaštitu za sluh, zaštitne cipele ili specijalnu kecelju, koja će male čestice od brušenja i materijala držati dalje od Vas. Oči moraju biti zaštićene od stranih tela koja lete okolo, koja nastaju kod raznih upotreba. Maska za prašinu i maska za disanje moraju filtrirati prašinu koja nastaje prilikom upotrebe. Ako ste izloženi dugoj galami, možete izgubiti sluh.**
- j) **Pazite kod drugih osoba na sigurno rastojanje do Vašeg radnog područja. Svako, ko udje u radno područje, mora nositi ličnu zaštitnu opremu.** Polomljeni delovi radnog komada ili polomljeni upotrebljeni pribori mogu leteti i prouzrokovati povrede i izvan direktnog radnog područja.
- k) **Držite električni alat samo za izolovane hvataljke kada izvodite radove kod kojih upotrebljeni alat može da susretne skrivene vodove struje ili vlastiti mrežni kabl. Kontakt sa jednim vodom koji sprovođi struju može da stavi pod napon metalne delove uređaja i da utiče na električni udar.**
- l) **Držite podalje mrežni kabl od rotirajućeg upotrebljenog pribora. Ako izgubite kontrolu nad električnim priborom, može se preseći mrežni kabl ili može da zahvati i Vašu ruku ili Vaša šaka dospeti u električni pribor koji se okreće.**
- m) **Ne ostavljajte nikada električni pribor pre nego se upotrebljeni pribor potpuno umiri. Električni pribor koji se okreće može doći u kontakt sa površinom za odlaganje, usled čega se može izgubiti kontrola nad električnim priborom.**
- n) **Ne ostavljajte električni pribor da radi, dok ga nosite. Vaše odelo može biti zahvaćeno slučajnim kontaktom sa električnim priborom koji se okreće i upotrebljen pribor može se zabiti u Vaše telo.**
- o) **Čistite redovno proreze za ventilaciju Vašeg električnog pribora. Motorna duvaljka vuče prašinu u kućište i veće sakupljanje metalne prašine može prouzrokovati električnu opasnost.**

- p) **Ne upotrebljavajte električni pribor u blizini zapaljivih materijala. Varnice mogu zapaliti ove materijale.**

- q) **Ne koristite upotrebljene pribore koji zahtevaju tečna rashladna sredstva. Upotreba vode ili drugih tečnih rashladnih sredstava može voditi električnom udaru.**

2) POVRATNI UDARAC I ODGOVARAJUĆA UPOZORENJA

- Povratni udarac je iznenadna reakcija usled rotirajućeg upotrebljenog pribora koji zapinje ili blokira, kao brusna ploča, brusni disk, žičana četka itd. Zakačinjanje ili blokiranje vode do zaustavljanja sa trzajem rotirajućeg električnog pribora. Na taj način se nekontrolisani električni pribor ubrzava u pravcu smeru okretanja električnog pribora na mestu blokade.
 - Ako naprimer neka brusna ploča zapinje ili blokira u radnom komadu, može se ivica brusne ploče koja uranja u radni komad vratnuti i usled toga brusna ploče prouzrokovati lomljenje ili povratan udarac. Brusna ploča se onda kreće na osobu koja radi ili od nje, zavisno od smeru okretanja ploče na mestu blokiranja. Pritom se brusne ploče mogu i slomiti.
 - Povratan udarac je posledica pogrešne ili manjkave upotrebe električnog pribora. On se može sprečiti pogodnim merama opreza, kao što je dalje opisano.
- a) **Držite čvrsto električni pribor i dovedite Vaše telo i Vaše ruke u poziciju, u kojoj možete prihvatiti sile povratnog udara. Upotrebljavajte uvek dodatnu dršku, ako postoji, da bi imali što više moguću kontrolu nad silama povratnog udara ili nad reakcionim momentom u visokim obrtajima. Radnik može savladati pogodnim merama opreza sile povratnog udara i reakcije.**
- b) **Ne gurajte nikada Vašu ruku u blizinu rotirajućeg upotrebljenog pribora. Upotrebljeni pribor se može kod povratnog udara kretati preko Vaše ruke.**
- c) **Izbegavajte sa Vašim telom područje, u koje bi se kod povratnog udara električni pribor kretao.** Povratan udarac tera električni pribor u pravcu suprotnom od kretanja brusne ploče na blokiranom strani.
- d) **Radite posebno oprezno u području uglova, oštih ivica itd. Sprečite da se upotrebljeni pribori odbiju od radnog komada i „slepe“.** Rotirajući upotrebljeni pribor naginje kod uglova, oštih ivica ili ako se odbije, tome, da „slepljuje“. Ovo prouzrokuje gubitak kontrole ili povratan udarac.
- e) **Ne koristite lančani ili nazubljeni list testere. Takvi upotrebljeni pribori prouzrokuju često povratan udarac ili gubitak kontrole nad električnim priborom.**

DODATNA SIGURNOSNA UPUTSTVA

OPŠTA

- Koristite ovaj alat samo za suvo glačanje
- Koristite samo obode koje ste dobili uz ovaj alat
- Ovaj alat ne treba da koriste osobe ispod 16 godina
- **Obavezno iskopčajte alat iz električne utičnice pre nego što izvršite bilo kakva podešavanja ili zamenu pribora**
- **Ne obradujte nikakav materijal koji sadrži azbest (azbest važi kao izazivač raka)**

PRIBOR

- SKIL može priznati garanciju samo ukoliko je korišćen odgovarajući pribor koji možete da nabavite kod svog SKIL prodavca
- Za postavljanje i korišćenje pribora koji nisu SKIL, pogledajte uputstva proizvođača
- Koristite samo pribor čija je dozvoljena brzina u najmanju ruku jednaka najvećoj brzini pri praznom hodu električnog alata
- Nikada ne koristite pribor sa otvorom sa "slepim" navojem manjim od M14 x 21 mm
- Nemojte da koristite oštećen, deformisan ili vibrirajući pribor
- Pažljivo rukujte i čuvajte pribor

KORIŠĆENJE NA OTVORENOM

- Prilikom primene alata napolju, priključite ga preko FI sklopke sa strujom isključenja od maksimalnih 30mA i koristite samo jedan produžni gajtan, koji je dredviđen za korišćenje na otvorenom i koji ima utikač zaštićen od prodora vode

PRE UPOTREBE

- Uvek se уверите da je napon struje isti kao i napon naveden na pločici sa nazivom alatu
- Obavezno postavite pomoćnu ručicu A ② ili B ②; alat nemojte nikada da koristite bez nje
- Prašina od materijala, kao što su boja koja sadrži olovo, neke vrste drveta, minerali i metal, može biti opasna (dodir ili udisanje prašine može prouzrokovati alergijske reakcije i/ili respiratorna oboljenja rukovaoca i lica u blizini); **nosite masku protiv prašine i radite uz uključeni uređaj za ekstrakciju prašine kada radite na mestima gde ju je moguće priključiti**
- Određene vrste prašine su klasifikovane kao kancerogene (kao što su prašina hrastovine i bukovine), posebno u sadejstvu sa aditivima za pripremu drveta; **nosite masku protiv prašine i radite uz uključeni uređaj za ekstrakciju prašine kada radite na mestima gde ju je moguće priključiti**
- Prati nacionalne propise vezane za prašinu koja se proizvodi prilikom rada na obrađivanim materijalima
- **Obezbedite radni predmet** (radni predmet stegnut pomoću stega ili nečeg sličnog je mnogo stabilniji neko kada se drži rukom)
- Nemojte da pričvršćujete alat u stegu
- Produžni kabl koji koristite mora da bude sasvim odmotan i siguran, sa kapacitetom od 16 A

TOKOM UPOTREBE

- Prilikom rada alat treba držati sa obe ruke i zauzeti siguran stav
- Kabl uvek držite podalje od pokretnih delova alata; uvek ga treba držati iza alata
- Ako se kabl ošteti ili preseče u toku rada, odmah ga iskopčajte i nemojte ga dodirivati
- Nikada nemojte da koristite alat ako je kabl oštećen; zamenu kabla mora da obavi stručno lice
- U slučaju da dođe do električnog ili mehaničkog kvara, odmah isključite alat i iskopčajte ga iz utičnice
- Ukoliko dođe do nestanka struje ili ako se utikač slučajno izvuče, otpustite prekidač H ② da biste sprečili nekontrolisano ponovno pokretanje

NAKON UPOTREBE

- Kada završite rad sa alatom, isključite motor i proverite da li su se zaustavili svi pokretni delovi

- Nakon isključivanja električnog alata, nikada nemojte da zaustavljate obrtanje pribora primenom bočne sile

OBJAŠNJENJE SIMBOLA NA ALATU

- ③ Pročitajte uputstvo za korišćenje pre prve upotrebe
- ④ Nosite zaštitne naočari i zaštitu za sluh
- ⑤ Dvostruka izolacija (nije potrebna žica za uzemljenje)
- ⑥ Alat ne odlažite u kućne otpatke

UPUTSTVO ZA KORIŠĆENJE

- Postavljanje pomoćne ručice ⑦
 - ! **iskopčajte utikač**
 - pričvrstite pomoćnu ručicu A sa leve ili sa desne strane alata (u zavisnosti od vrste rada)
 - postavite pomoćnu ručicu B kao na crtežu i sa imbus ključem stegnite oba isporučena zavrtnja C
- Postavljanje pribora ②
 - ! **iskopčajte utikač**
 - očistite vreteno D i sve delove koje ćete postaviti
 - zavrnite VELCRO podložnu pločicu E na osovinu D istovremeno pritiskajući dugme za blokiranje osovine F
 - ! **dugme za zaključavanje vretena F pritisnite kada se vreteno D sasvim zaustavi**
 - jednostavno pritisnite vunenu kapicu G na VELCRO podložnu pločicu E
 - za skidanje pribora držati naopacke
- Pre korišćenja električnog alata
 - proverite da li je pribor ispravno postavljen i snažno pričvršćen
 - proverite da li pribor može da se pomera, tako što ćete ga ručno pokrenuti
 - probno pokrenite alat najmanje 60 sekundi na najvećoj brzini pri praznom hodu i u sigurnom položaju
 - odmah prekinite rad ukoliko dođe do većih vibracija ili drugih nepravilnosti u radu i pregledajte alat, da biste odredili uzrok
- Uključivanje/isključivanje
 - uključite/isključite alat povlačenjem/otpuštanjem obarača H ②
- Elektronsko postepeno pokretanje
 - Omogućava lagano dostizanje maksimalne brzine, bez iznenadnih udara pri uključivanju električnog alata
- Učvršćivanje prekidača za stalno bušenje
 - povucite obarač H
 - pritisnite dugme J palcem
 - otključajte prekidač ponovnim povlačenjem obarača H i otpuštanjem
- Kontrola brzine ③
 - točkom K možete podesiti maksimalnu brzinu od niskog do visokog stepena (1-MAX)
 - počnite sa točkićem K u položaju 1 (manja brzina)
 - ako je potrebno, izaberite veću brzinu dok alat radi
 - optimalna radna brzina zavisi od materijala i može se utvrditi praktičnim pokušajima
- Rukovanje alatom
 - uključite alat
 - postavite alat potpuno na površinu koja treba da se glača i pomerajte ga ravnomerno po delovima
 - jedan pokret treba da prekloni prehodni pokret za jednu polovinu
 - nemojte se zaustavljati na jednom mestu da biste izbegli pregorevanje obloge

- nemojte pomerati alat u krugovima da biste izbegli prljanje ili pregorevanje obloge
- ! **uređaj treba da ga podignete sa područja rada pre nego što ga isključite**
- ! **pribor se okreće još neko vreme nakon što se električni alat isključi**
- Držanje i upravljanje alata ②
 - ! **dok radite, uvek držite alat za mesto(a) koje(a) su označena sivom bojom**
 - električni alat uvek snažno držite obema rukama, tako da u svakom trenutku imate punu kontrolu nad njim
 - uvek budite u sigurnom stavu
 - ! **nemojte mnogo da pritiskate električni alat da ne bi došlo do prestanka rada**
 - prerezi za hlađenje L ② moraju da budu otvoreni

ODRŽAVANJE / SERVIS

- Zaštite pribor od potresa, udara i masnih površina
- Alat i kabl uvek održavajte čistim (posebno otvore za hlađenje L ②)
 - ! **pre čišćenja iskopčajte kabl iz utičnice**
 - ! **ne pokušavajte da očistite proreze za hlađenje umetanjem oštarih predmeta kroz otvore**
- Ako bi alat i pored brižljivog postupka izrade i kontrole nekada otkazao, popravku mora vršiti neki autorizovani servis za SKIL-električne alate
 - pošaljite **nerastavljeni** alat zajedno sa potvrdom o kupovini vašem nabavljaču ili najbližem SKIL servisu (adrese i oznake rezervnih delova možete naći na www.skil.com)

ZAŠTITA OKOLINE

- **Električne alate, pribora i ambalaže ne odlažite u kućne otpatke** (samo za EU-države)
 - prema Europskoj direktivi 2012/19/EG o staroj električnoj i elektronskoj opremi i njenoj upotrebi u skladu sa nacionalnim pravom, električni alati koji su istrošeni moraju biti sakupljeni odvojeno i dostavljeni pogonom za reciklažu
 - simbol ⑥ će vas podsetiti na to

BUKA / VIBRACIJE

- Mereno u skladu sa EN 60745 nivo pritiska zvuka ovog alata iznosi 86 dB(A) a jačina zvuka 97 dB(A) (normalno odstupanje: 3 dB), a vibracija 8,5 m/s² (zbir vektora tri pravca; nesigurnost K = 1,5 m/s²)
- Nivo emisije vibracija izmeren je u skladu sa standardizovanim testom datim u EN 60745; on se može koristiti za upoređenje jedne alatke sa drugom, kao i za preliminarnu procenu izloženosti vibracijama pri korišćenju ove alatke za pomenute namene
 - korišćenje alatke u drugačije svrhe ili sa drugačijim ili slabo održanim nastavcima može značajno **povećati** nivo izloženosti
 - vreme kada je alatka isključena ili kada je uključena, ali se njome ne radi, može značajno **smanjiti** nivo izloženosti
- ! **zaštite se od posledica vibracija održavanjem alatke i njenih nastavaka, održavajući Vaše ruke toplim i organizovanjem Vaših radnih obrazaca**

Polirnik

9955

UVOD

- Orodje je namenjeno poliranju kovinskih, plastičnih in barvanih površina ter kamnitih materialov brez uporabe vode
- Preberite in shranite navodila za uporabo ③

TEHNIČNI PODATKI ①

DELI ORODJA ②

- A Pomožna ročka
- B Pomožna ročka (tip D)
- C Imbus ključ
- D Vreteno
- E Brusilni krožnik (VELCRO)
- F Gumb za blokado vretena
- G Volnena kapa
- H Stikalo vklopi/izklopi
- J Gumb za aretacijo stikala za vklop/izklop
- K Kolo za nastavitvev maksimalne hitrosti
- L Ventilacijske reže

VARNOST

SPLOŠNA VARNOSTNA OPOZORILA ZA ELEKTRIČNA ORODJA

⚠ OPOZORILO Preberite vsa varnostna opozorila, navodila, ilustracije in specifikacije, ki so priložene temu električnemu orodju. Če spodaj navedenih napotkov ne upoštevate, lahko pride do električnega udara, požara in/ali težke poškodbe. **Vsa opozorila in navodila shranite, saj jih boste v prihodnosti morda potrebovali.** Pojem "električno orodje", ki se pojavlja v nadaljnjem besedilu, se nanaša na električna orodja z električnim pogonom (z električnim kablom) in na akumulatorska električna orodja (brez električnega kabla).

1) VARNOST NA DELOVNEM MESTU

- Poskrbite, da bo Vaše delovno mesto vedno čisto in urejeno.** Nered ali neosvetljena delovna področja lahko povzročijo nezgode.
- Prosimo, da orodja ne uporabljate v okolju, kjer je nevarnost za eksplozije in v katerem se nahajajo gorljive tekočine, plini in prah.** Električna orodja povzročajo iskrenje, zato se gorljivi prah ali pare lahko vnamejo.
- Ne dovolite otrokom in drugim osebam, da bi se medtem ko delate, približali električnemu orodju.** Druge osebe lahko odvrnejo Vašo pozornost drugam in izgubili boste nadzor nad orodje.

2) ELEKTRIČNA VARNOST

- Vtič mora ustrezati električni vtičnici in ga pod nobenim pogojem ne smete spreminjati.** Uporaba adapterskih vtičev v kombinaciji z ozemljena orodja ni dovoljena. Originalni oziroma nespremenjeni vtiči in

- ustrezne vtičnice zmanjšujejo tveganje električnega udara.
- b) **Izogibajte se telesnemu stiku z ozemljenimi površinami, na primer s cevmi, grelci, štedilniki in hladilniki.** Če je ozemljeno tudi vaše telo, obstaja povečano tveganje električnega udara.
 - c) **Zavarujte orodje pred dežjem ali vlago.** Vdor vode v električno orodje povečuje tveganje električnega udara.
 - d) **Električnega kabla ne uporabljajte za prenašanje ali obešanje orodja in ne vlečite vtič iz vtičnice tako, da vlečete za kabel.** Zavarujte kabel pred vročino, oljem, ostrimi robovi in premikajočimi se deli orodja. Poškodovani ali prepleteni kabli povečujejo tveganje električnega udara.
 - e) **Če z električnim orodjem delate na prostem, uporabljajte izključno kabelski podaljšek, ki je atestiran za delo na prostem.** Uporaba kabelskega podaljška, primerne za delo na prostem, zmanjšuje tveganje električnega udara.
 - f) **Če je uporaba električnega orodja v vlažnem okolju neizogibna, uporabljajte prekinjevalec električnega tokokroga.** Prekinjevalec električnega tokokroga zmanjšuje tveganje električnega udara.
- ### 3) OSEBNA VARNOST
- a) **Bodite zbrani in pazite, kaj delate.** Dela z električnim orodjem se lotite razumno. Nikoli ne uporabljajte orodja, če ste utrujeni in če ste pod vplivom mamil, alkohola ali zdravil. En sam trenutek nepazljivosti pri uporabi orodja ima lahko za posledico resne telesne poškodbe.
 - b) **Uporabljajte osebna zaščitna sredstva in vedno nosite zaščitna očala.** Uporaba osebnih zaščitnih sredstev, na primer maske proti prahu, nedrsečih zaščitnih čevljev, zaščitne čelade in glušnikov, odvisno od vrste in uporabe električnega orodja, zmanjšuje tveganje telesnih poškodb.
 - c) **Izogibajte se nenamernemu zagonu. Pred priključitvijo električnega orodja na električno omrežje in/ali na akumulator in pred dviganjem ali nošenjem se prepričajte, če je električno orodje izklopljeno.** Prenašanje naprave s prstom na stikalu ali priključitev vklopljenega električnega orodja na električno omrežje je lahko vzrok za nezgodo.
 - d) **Pred vklopom orodja odstranite z nje nastavitvena orodja ali vijaki ključ.** Orodje ali ključ, ki se nahajata na vrtečem se delu električnega orodja, lahko povzročita nezgodo.
 - e) **Ne precenjujte se in poskrbite za varno stojišče in stalno ravnotežje.** Tako boste lahko v nepričakovani situaciji bolje obvladali orodje.
 - f) **Oblecite se primerno. Ne nosite ohlapnih oblačil ali nakita.** Las in oblačil ne približujte premikajočim se delom. Ohlapna oblačila, nakit ali dolgi lasje se lahko ujamejo v premikajoče se dele.
 - g) **Če je možno na orodje namestiti priprave za odsesavanje in prestrežanje prahu, prepričajte se, ali so le-te priključene in, če jih pravilno uporabljate.** Uporaba priprave za odsesavanje prahu zmanjšuje zdravstveno ogroženost zaradi prahu.
 - h) **Naj seznanjenost z orodjem, ki jo pridobite s pogosto uporabo, ne bo razlog za to, da postanete lahkomišeln in ignorirate varnostna načela.** V delčku

sekunde lahko nepozorno dejanje pripelje do hude poškodbe.

4) RAVNANJE IN NEGA ROČNEGA ORODJA

- a) **Ne preobremenjujte orodja. Za določeno delo uporabljajte električno orodje, ki je predvideno za opravljanje tega dela.** Z ustreznim električnim orodjem boste delo opravili bolje in varneje, ker je bilo v ta namen tudi konstruirano.
 - b) **Električno orodje, ki ima pokvarjeno stikalo, ne uporabljajte.** Električno orodje, ki ga ni možno vklopiti ali izklopiti, je nevarno in ga je potrebno popraviti.
 - c) **Izvlčite vtič iz vtičnice in/ali odstranite akumulatorsko baterijo, če jo je mogoče izvzeti, še preden orodje popravljate, menjujete pribor ali ga shranite.** Ti preventivni varnostni ukrepi zmanjšajo tveganje za nenamenski zagon orodja.
 - d) **Kadar orodja ne uporabljate ga shranjujte izven dosega otrok. Osebam, ki orodja ne poznajo ali niso prebrale teh navodil, orodja ne dovolite uporabljati.** Električna orodja so nevarna, če jih uporabljajo neizkušene osebe.
 - e) **Vzdržite električna orodja in pribor. Preverite, če premikajoči se deli orodja delujejo brezhibno in če se ne zatikajo, oziroma, če kakšen del orodja ni zlomljen ali poškodovan do te mere, da bi oviral njegovo delovanje. Pred nadaljnjo uporabo je potrebno poškodovani del popraviti.** Vzrok za številne nezgode so ravno slabo vzdrževana električna orodja.
 - f) **Rezalna orodja naj bodo ostra in čista.** Skrbno negovana rezalna orodja z ostrimi rezili se manj zatikajo in so boljje vodljiva.
 - g) **Električna orodja, pribor, nastavek in podobno uporabljajte v skladu s temi navodili. Pri tem upoštevajte delovne pogoje in vrsto dela, ki ga nameravate opraviti.** Zaradi uporabe električnega orodja v druge, nepredvidene namene, lahko nastanejo nevarne situacije.
 - h) **Ročaji in površine za prijemanje naj bodo suhe, čiste in brez olja ali maščobe.** Gladki ročaji in površine za prijemanje ne omogočajo varne uporabe in nadzora orodja v nepričakovanih situacijah.
- #### 5) SERVISIRANJE
- a) **Popravilo orodja lahko opravi samo usposobljena strokovna oseba in to izključno z originalnimi nadomestnimi deli.** Le tako bo ohranjena nadaljnja varnost orodja.

VARNOSTNA NAVODILA ZA POLIRNIKE

1) SKUPNA OPOZORILA ZA BRUŠENJE Z POLIRANJE

- a) **To električno orodje se lahko uporablja kot polirnik.** Upoštevajte vsa opozorila, navodila, slikovne prikaze in podatke, ki ste jih prejeli skupaj z električnim orodjem. Zaradi nespoštovanja spodaj navedenih navodil lahko pride do električnega udara, požara in/ali težkih telesnih poškodb.
- b) **Orodje ni primerno za glajenje, brušenje, krtačenje ali rezanje.** Uporaba električnega orodja v nepredvidene namene lahko privede do nevarnih situacij in telesnih poškodb.
- c) **Polirna kapa ne sme imeti nobenih opletajočih delov, kar še posebno velja za pritrdilne trakove.** Pritrdilne trakove spravite ali skrajšajte. Opletajoči

- pritrilni trakovi, ki se vrtijo skupaj s polirno kapo, lahko zagrabi Vaše prste ali se zapletejo v obdelovanec.
- d) **Ne uporabljajte pribora, ki ga proizvajalec za to orodje ni specialno predvidel in katerega uporabe ne priporoča.** Zgolj dejstvo, da lahko nek pribor pritrдите na Vaše električno orodje, še ne zagotavlja varne uporabe.
- e) **Dovoljeno število vrtljajev vsadnega orodja mora znašati najmanj toliko, kolikor znaša najvišje število vrtljajev, ki je navedeno na električnem orodju.** Pribor, katerega hitrost vrtenja je večja od dovoljene, se lahko pokvari.
- f) **Zunanji premer in debelina vsadnega orodja morata ustrezati meram Vašega električnega orodja.** Napačno dimenzionirani vsadnih orodij ne boste mogli dovolj dobro zavarovati ali nadzorovati.
- g) **Vstavna orodja z navojnim vstavkom morajo natančno ustrezati navoju brusilnega vretena. Pri vstavnih orodjih, ki se montirajo s pomočjo prirobnice, mora premer luknje vstavnega orodja natančno ustrezati premeru prirobnice.** Vstavna orodja, ki jih ne pritrдите povsem natančno na električno orodje, se vrtijo neenakomerno, močno vibrirajo in lahko vodijo k izgubi nadzora nad orodjem.
- h) **Ne uporabljajte poškodovanih vsadnih orodij. Pred vsako uporabo preglejte brusilne kolute, če se ne luščijo oziroma če nimajo razpok, brusilne krožnike, če nimajo razpok oziroma če niso močno obrabljeni ali izrabljeni, žične ščetke pa, če nimajo zrahljanih ali odlomljenih žic. Če pade električno orodje ali vsadno orodje na tla, pogledajte, če ni poškodovano in uporabljajte samo nepoškodovana vsadna orodja. Po kontroli in vstavljanju vsadnega orodja se ne zadržujte v ravnini vrtečega se vsadnega orodja, kar velja tudi za druge osebe v bližini. Električno orodje naj eno minuto deluje z najvišjim številom vrtljajev. Poškodovana vsadna orodja se največkrat zlomijo med tem poizkusnim časom.**
- i) **Uporabljajte osebno zaščitno opremo. Odvisno od vrste uporabe si natakните zaščitno masko čez cel obraz, zaščito za oči ali zaščitna očala. Če je potrebno, nosite zaščitno masko proti prahu, zaščitne slušnice, zaščitne rokavice ali specialni predpasnik, ki Vas bo zavaroval pred manjšimi delci materiala, ki nastajajo pri brušenju. Oči je treba zavarovati pred tujki, ki nastajajo pri različnih vrstah uporabe orodja in letijo naokrog. Zaščitna maska proti prahu ali dihalna maska morata filtrirati prah, ki nastaja pri uporabi. Predolgo izpostavljanje glasnemu hrupu ima lahko za posledico izgubo sluha.**
- j) **Pazite, da bodo druge osebe varno oddaljene od Vašega delovnega območja. Vsak, ki stopi na delovno območje, mora nositi osebno zaščitno opremo. Odlomljeni delci obdelovanca ali zlomljena vsadna orodja lahko odletijo stran in povzročijo telesne poškodbe, tudi izven neposrednega delovnega območja.**
- k) **Prijemajte električno orodje samo za izolirane ročaje, če delate na območju, kjer lahko vstavljeno orodje pride v stik s skritimi omrežnimi napeljavami ali lastni omrežni kabel. Stik s napeljavo, ki je pod napetostjo povzroči, da so posledično tudi kovinski deli orodje pod napetostjo in to vodi do električnega udara.**
- l) **Omrežnega kabla ne približujte vrtečemu se vsadnemu orodju. Če izgubite nadzor nad električnim orodjem, lahko orodje prereže ali zagrabi kabel, Vaša roka pa zaide v vrteče se vsadno orodje.**
- m) **Ne odlagajte električnega orodja, dokler se vsadno orodje popolnoma ne ustavi. Vrteče se vsadno orodje lahko pride v stik z odlagalno površino, zaradi česar lahko izgubite nadzor nad električnim orodjem.**
- n) **Električno orodje naj medtem, ko ga prenašate naokrog, ne deluje. Vrteče se vsadno orodje lahko zaradi naključnega kontakta zagrabi Vaše oblačilo in se zavrti v Vaše telo.**
- o) **Prezračevalne reže električnega orodja morate redno čistiti.** Ventilator motorja povleče v ohišje prah in velika količina nabrane prahu je lahko vzrok za električno nevarnost.
- p) **Ne uporabljajte električnega orodja v bližini gorljivih materialov. Ti materiali se lahko zaradi iskrenja vnamejo.**
- q) **Ne uporabljajte vsadnih orodij, ki za hlajenje potrebujejo tekočino. Uporaba vode ali drugih tekočin lahko povzroči električni udar.**
- 2) POVRATNI UDAREC IN USTREZNA OPOZORILA**
- Povratni udarec je nenadna reakcija, ki nastane zaradi zagozdenja ali blokiranja vrtečega se vsadnega orodja, na primer brusilnega koluta, brusilnega krožnika, žične ščetke in podobnega. Zagozdenje ali blokiranje ima za posledico takojšnjo ustavitve vrtečega se vsadnega orodja. Nekontrirano električno orodje se zaradi tega pospešeno premakne v smer, ki je nasprotna smeri vrtenja vsadnega orodja.
 - Če se na primer brusilni kolut zatakne ali zablokira v obdelovancu, se lahko rob brusilnega koluta, ki je potopljen v obdelovanec, zaplete vanj in brusilni kolut se odloimi ali povzroči povratni udarec. Brusilni kolut se nato premakne proti uporabniku ali proč od njega, odvisno od smeri vrtenja brusilnega koluta na mestu blokiranja. Blokirni koluti se lahko pri tem tudi zlomijo.
 - Povratni udarec je posledica napačne ali pomanjkljive uporabe električnega orodja. Preprečite ga lahko z ustreznimi previdnostnimi ukrepi. Navedeni so v nadaljevanju besedila.
- a) **Dobro držite električno orodje in premaknite telo in roke v položaj, v katerem boste lahko prestregli moč povratnega udarca. Če je na voljo dodatni ročaj, ga obvezno uporabljajte in tako zagotovite najboljše možno nadziranje moči povratnih udarcev ali reakcijskih momentov pri zagonu orodja. Z ustreznimi previdnostnimi ukrepi lahko uporabnik obvlada moč povratnih udarcev in reakcijskih momentov.**
- b) **Nikoli z roko ne segajte v bližino vrtečih se vsadnih orodij. V primeru povratnega udarca se lahko orodje premakne čez Vašo roko.**
- c) **Ne približujte telesa področju, v katerega se lahko v primeru povratnega udarca premakne električno orodje. Povratni udarec potisne električno orodje v smer, ki je nasprotna smeri premikanja brusilnega koluta na mestu blokiranja.**
- d) **Posebno previdno delajte v kotih, na ostrih robovih in podobnih površinah. Preprečite, da bi vsadna orodja odskočila od obdelovanca in se zagozdila. Vrteče se vsadno orodje se v kotih, na ostrih robovih ali**

če odskoči, zlahka zagozdi. To povzroči izgubo nadzora ali povratni udarec.

- e) **Ne uporabljajte verižnih ali nazobčanih žaginih listov.** Ta vsadna orodja pogosto povzročijo povratni udarec ali izgubo nadzora nad električnim orodjem.

DODATNA VARNOSTNA NAVODILA

SPLOŠNO

- Uporabljajte to orodje le za suho poliranje
- Uporabljajte le tiste prirobnice, ki so dobavljene skupaj z orodjem
- Orodja naj ne bi uporabljale osebe mlajše od 16 let
- **Vedno izvlecite električni vtičak iz vtičnice preden spreminjate nastavitve ali menjate pribor**
- **Ne obdelujte materiala, ki vsebuje azbest** (azbest povzroča rakasta obolenja)

PRIBOR

- SKIL zagotavlja brezhibno delovanje orodja le z uporabo pravega dodatnega pribora, ki ga dobite pri SKIL-ovih trgovcih
- Pri uporabi in montaži ne SKIL-ovega pribora upoštevajte navodila proizvajalca uporabljenega pribora
- Uporabljajte lahko dodatni pribor, katerega dovoljena hitrost je najmanj enaka največji hitrosti orodja
- Ne uporabljajte pribora, ki ima manjšo luknjo kot jo zahteva vreteno M14 x 21 mm
- Ne uporabljajte poškodovanega, deformiranega ali vibrirajočega pribora
- Pazljivo ravnejte in shranjujte pribor

ZUNANJA UPORABA

- Pri uporabi na prostem, orodje priključite na posebno tokovo zaščito FID z občutljivostjo toka max. 30 mA in uporabljajte podaljševalni kabel, ki je zaščiten proti vlagi

PRED UPORABO

- Vedno preverite, če je napetost omrežja enaka napetosti, ki je navedena na tablici orodja
- Orodje vedno uporabljajte z nameščenim pomožnim ročajem A ② ali B ②; orodja brez ročaja ne smete uporabljati
- Prah materialov, kot so barve, ki vsebujejo svinec, nekatere vrste lesa, mineralov ali kovin so lahko škodljivi (ob stiku ali vdihavanju lahko prah pri delavcu ali pri drugih prisotnih povzroči alergijsko reakcijo in/ali boleznih dihal); **nosite masko za prah in pri delu uporabljajte napravo za odsesavanje prahu, kjer je le-to možno priključiti**
- Nekaterе vrste prahu so klasificirane kot kancerogene (kot npr. prah hrasta in bukve) še posebno ob sočasni uporabi z dodatki za obdelavo lesa; **nosite masko za prah in pri delu uporabljajte napravo za odsesavanje prahu, kjer je le-to možno priključiti**
- Upoštevajte nacionalne zahteve glede prahu za materiale katere želite obdelovati
- **Zavarujte obdelovanec** (obdelovanec stisnjen v prižemi ali primežu je bolj varen kot v roki)
- Ne vpenjajte stroja v primež
- Uporabljajte povsem iztegnjene in varne električne podaljške, z jakostjo 16 amperov

MED UPORABO

- Med delom čvrsto držite orodje z obema rokama in si zagotovite stabilno in varno pozicijo

- Kabel naj bo vedno odmaknjen od gibljivih delov stroja; usmerite ga proti zadnjemu delu, stran od stroja
- Če je priključni kabel poškodovan ali se med delom pretrga se ga ne dotikajte, temveč takoj potegnite električni vtičak iz vtičnice
- Nikoli ne uporabljajte orodja, če je kabel poškodovan; okvaro naj odpravi strokovnjak
- Če pride do električnih ali mehanskih okvar, takoj izklopite stroj in izvlecite vtičak iz vtičnice
- V primeru prekinitive napetosti v omrežju ali, ko se vtičak pomotoma iztakne, sprostite stikalo H ② da preprečite nenadzorovan zagon pri ponovnem vklopu

PO UPORABI

- Preden orodje odložite, izključite stikalo in počakajte, da se vsi gibljivi deli popolnoma zaustavijo
- Po izključitvi stikala orodja nikoli ne ustavljajte vrtenja plošče s stranskim pritiskanjem

POJASNILO OZNAK NA ORODJU

- ③ Pred uporabo preberite navodila za uporabo
- ④ Uporabljajte zaščitna očala in zaščito sluha
- ⑤ Dvojna izolacija (ozemljitveni kabel ni potreben)
- ⑥ Orodja ne odstranjujte s hišnimi odpadki

UPORABA

- Namestitev pomožnega ročaja ⑦
 - ! **izključite vtičak**
 - stranski ročaj A se lahko privije na desno ali levo stran orodja (odvisno od dela)
 - pomožni ročaj namestite B v skladu z risbo, nato oba priložena vijaka trdno privijte z imbus ključem C
- Namestitev pribora ②
 - ! **izključite vtičak**
 - očistite vreteno D in vse dele, ki bodo nameščeni
 - zadnjo blazinico z ježkom (VELCRO) E privijte na vreteno D, pri tem pa pritisnite gumb za zaklepanje vretena F
 - ! **pritisnite gumb za blokado vretena F le ko je vreteno D popolnoma mirujoče**
 - preprosto pritisnite volneni nastavek G na zadnjo blazinico z ježkom (VELCRO) E
 - pri demontaži pribora postopek ponovite in prirobno matico odvijajte
- Pred uporabo orodja
 - prepričajte se, da je pribor pravilno nameščen in čvrsto pritrjen
 - preverite z roko, če se nameščen pribor prosto vrti
 - napravite preizkusni zagon, tako, da vključite orodje na varnem mestu, za najmanj 60 sekund, pri največji hitrosti
 - pri močnih vibracijah ali drugih napakah, takoj izklopite orodje in ugotovite vzrok
- Vkllop/izklop
 - izklopite/vklopite orodje tako, da pritisnete/sprostite stikalo H ②
- Elektronski mehki zagon
 - Pri vklopu zagotavlja mehak zagon in doseganje maksimalne hitrosti brez nenadnih sunkov
- Aretacija stikala
 - pritisnite stikalo H
 - s palcem pritisnite gumb J
 - aretacijo stikala prekinete s ponovnim pritiskom in sprostivijo stikala H

- Nastavitev hitrosti ⑧
 - z gumbom K se lahko maksimalna hitrost nastavlja od nizke do visoke (1-MAX)
 - na začetku naj bo kolesce K v poziciji 1 (majhna hitrost)
 - hitrost lahko med delovanjem orodja po potrebi tudi povečate
 - najprimernejša delovna hitrost je odvisna od materiala in jo lahko določimo s praktičnim poskušanjem
- Upravljanje orodja
 - vklopite orodje
 - orodje položite plosko na površino za poliranje in ga enakomerno premikajte naprej in nazaj po posameznih odsekih
 - z vsakim nadaljnjim gibom pojdite čez polovico prejšnjega
 - ne zadržujte se dalj časa na eni točki, sicer lahko poškodujete površino
 - ne izvajajte krožnih gibov, sicer se lahko površina obarva ali ozge
- ! **preden orodje izklopite, bi ga morali odmakniti od predmeta, ki ga obdelujete**
- ! **po izklopu orodja se pribor še nekaj časa vrti**
- Držanje in vodenje orodja ⑨
 - ! **med delom vedno držite orodje za sivo obarvano mesto prijema**
 - vedno čvrsto držite orodje za obema rokama, tako boste imeli nad njim ves čas popoln nadzor
 - zagotovite si varen položaj
 - ! **ne pritiskajte s preveliko silo na orodje, da ne pride do njegove zaustavitve**
 - ventilacijske reže L ② morajo biti nepokrite

VZDRŽEVANJE/SERVISIRANJE

- Orodje zaščitite pred udarci, sunki in maščobami
- Priključni kabel in orodje naj bosta vedno čista (posebej še prezračevalne odprtine L ②)
 - ! **izvlecite vtičak iz vtičnice pred čiščenjem**
 - ! **ne poskušajte čistiti prezračevalnih odprtin z drezanjem s koničastimi predmeti skozi odprtine**
- Če bi kljub skrbnim postopkoma izdelave in preizkušanja prišlo do izpada delovanja orodja, naj popravilo opravi servisna delavnica, pooblaščen za popravila SKILevih električnih orodij
 - pošljite **nerazstavljeno** orodje skupaj s potrdilom o nakupu pri vašemu prodajalcu v najbližjo SKIL servisno delavnico (naslovi, kot tudi spisek rezervnih delov se nahaja na www.skil.com)

OKOLJE

- **Električnega orodja, pribora in embalaže ne odstranjujte s hišnimi odpadki** (samo za države EU)
 - v skladu z Evropsko direktivo 2012/19/EG o odpadni električni in elektronski opremi in z njenim izvajanjem v nacionalni zakonodaji je treba električna orodja ob koncu njihove življenjske dobe ločeno zbirati in jih predati v postopek okolju prijaznega recikliranja
 - ko je potrebno odstranjevanje, naj vas o načinu spomni simbol ⑥

HRUP / VIBRACIJA

- Izmerjeno v skladu s predpisom EN 60745 je raven zvočnega pritiska za to orodje 86 dB(A) in jakosti zvoka 97 dB(A) (standarden odmik: 3 dB), in vibracija 8,5 m/s² (vektorska vsota treh smeri; netočnost K = 1,5 m/s²)
- Raven oddajanja vibracij je bila izmerjena v skladu s standardiziranimi testi, navedenimi v EN 60745; uporabiti jo je mogoče za primerjavo različnih orodij med seboj in za predhodno primerjavo izpostavljenosti vibracijam pri uporabi orodja za namene, ki so omenjeni
 - uporaba orodja za drugačne namene ali uporaba skupaj z drugimi, slabo vzdrževanimi nastavki lahko znatno **poveča** raven izpostavljenosti
 - čas, ko je orodje izklopljeno ali ko teče, vendar z njim ne delamo, lahko znatno **zmanjša** raven izpostavljenosti
- ! **pred posledicami vibracij se zaščitite z vzdrževanjem orodja in pripadajočih nastavkov, ter tako, da so vaše roke tople, vaši delovni vzorci pa organizirani**

EST

Poleerimismasin

9955

SISSEJUHATUS

- Kirjeldataw tööriist on ette nähtud metalli, plastiku, kattega pindade ning kivist materjalide poleerimiseks vett kasutamata
- Palun lugege käesolev kasutusjuhend hoolikalt läbi ja hoidke alles ③

TEHNILISED ANDMED ①

SEADME OSAD ②

- A Lisakäepide
- B Lisakäepide (tüüp D)
- C Kuuskantvõtme
- D Spindel
- E Alusketas (VELCRO)
- F Spindlilukustusnupp
- G Villast kate
- H Töölülit (sisse/välja)
- J Sisse-/väljalülitusnupu lukustusnupp
- K Maksimumkiiruse kontrollregulaator
- L Õhutusavad

OHUTUS

ÜLDISED OHUTUSNÕUDED ELEKTRILISTE TÖÖRIISTADE KASUTAMISEL

⚠ TÄHELEPANU Lugege läbi kõik elektrilise tööriistaga kaasas olevad ohutusnõuded ja juhised ning tutvuge jooniste ja tehniliste andmetega. Ohutusnõuete ja juhiste eiramise tagajärjeks võib olla elektrilööko, tulekahju ja/või rasked vigastused. **Hoidke kõik ohutusnõuded ja juhised edaspidiseks alles.** Allpool kasutatud mõiste "elektriline tööriist" käib võrgutoitega

(toitejuhtmega) elektriliste tööriistade ja akutoitega (ilma toitejuhtmata) elektriliste tööriistade kohta.

1) OHUTUSNÕUDED TÕÕPIIRKONNAS

- a) **Hoidke töökoht puhas ja korras.** Segadus või valgustamata tööpiirkonnad võivad põhjustada õnnetusi.
- b) **Ärge kasutage seadet plahvatusohtlikus keskkonnas, kus leidub tuleohtlikke vedelikke, gaase või tolmu.** Elektrilistest tööriistadest lööb sädemeid, mis võivad tolmu või auru süüdata.
- c) **Kui kasutate elektrilist tööriista, hoidke lapsed ja teised isikud töökohast eemal.** Kui Teie tähelepanu kõrvale juhitakse, võib seade Teie kontrolli alt väljuda.

2) ELEKTRIOHUTUS

- a) **Seadme pistik peab pistikupessa sobima. Pistiku kallal ei tohi teha mingeid muudatusi. Ärge kasutage kaitsemaandusega seadmete puhul adapterpistikuid.** Muutmata pistikud ja sobivad pistikupesad vähendavad elektrilöögi saamise riski.
- b) **Vältige kehakontakti maandatud pindadega, nagu torud, radiaatorid, pliidid ja külmikud.** Kui Teie keha on maandatud, on elektrilöögi risk suurem.
- c) **Hoidke seadet vihma ja niiskuse eest.** Kui elektriseadmesse on sattunud vett, on elektrilöögi saamise risk suurem.
- d) **Ärge kasutage toitejuhet selleks mitte ettenähtud otstarbel seadme kandmiseks, ülesriputamiseks ega pistiku pistikupesast väljatõmbamiseks. Hoidke toitejuhet kuumuse, õli, teravate servade ja seadme liikuvate osade eest.** Kahjustatud või keerduläänud toitejuhtmed suurendavad elektrilöögi saamise riski.
- e) **Kui töötate elektrilise tööriistaga vabas õhus, kasutage ainult selliseid pikendusjuhtmeid, mida on lubatud kasutada ka välistingimustes.** Välistingimustes kasutamiseks sobiva pikendusjuhtme kasutamine vähendab elektrilöögi saamise riski.
- f) **Kui elektrilise tööriista kasutamine niiskes keskkonnas on vältimatu, kasutage maandusega lekkevoolukaitses. Maandusega lekkevoolukaitsme kasutamine vähendab elektrilöögi ohtu.**

3) INIMESTE TURVALISUS

- a) **Olge tähelepanelik, jälgige, mida Te teete, ning toimige elektrilise tööriistaga töötades mõistlikult. Ärge kasutage seadet, kui olete väsinud või uimastite, alkoholi või ravimite mõju all.** Hetkeline tähelepanematus seadme kasutamisel võib põhjustada tõsiseid vigastusi.
- b) **Kandke isikukaitsevahendeid ja alati kaitseprille.** Isikukaitsevahendid, nagu tolumask, libisemiskindlad turvajalatsid, kaitsekiiver või kuulmiskaitsevahendid, kandmine – sõltuvalt elektrilise tööriista tüübist ja kasutusala – vähendab vigastuste riski.
- c) **Vältige seadme tahtmatut käivitamist. Enne pistiku ühendamist pistikupessa, aku ühendamist seadme külge, seadme ülestõstmist ja kandmist veenduge, et elektriline tööriist on välja lülitatud.** Kui hoiate elektrilise tööriista kandmisel sõrme lülitil või ühendate vooluvõrku sisselülitatud seadme, võivad tagajärjeks olla õnnetused.
- d) **Enne seadme sisselülitamist eemaldage selle küljest reguleerimis- ja mutrivõtmed.** Seadme

pöörleva osa küljes olev reguleerimis- või mutrivõti võib põhjustada vigastusi.

- e) **Ärge hinnake end üle. Võtke stabiilne tööasend ja hoidke kogu aeg tasakaalu.** Nii saate seadet ootamatutes olukordades paremini kontrollida.
 - f) **Kandke sobivat rõivastust. Ärge kandke laiu riideid ega ehteid. Hoidke juuksed ja rõivad seadme liikuvatest osadest eemal.** Lotendavad riided, ehted või pikad juuksed võivad sattuda seadme liikuvate osade vahele.
 - g) **Kui on võimalik paigaldada tolmueemaldus- ja tolmukogumisseadiseid/seadmeid, veenduge, et need oleksid seadmega ühendatud ja et neid kasutataks õigesti.** Tolmueemaldusseadise kasutamine vähendab tolmust põhjustatud ohte.
 - h) **Ärge muutuge tööriista sagedasest kasutamisest hooletuks ja ärge eirake ohutusnõudeid.** Hooletus võib sekundi mürdosa jooksul kaasa tuua raskeid vigastusi.
- ## 4) ELEKTRILISTE TÕÕRIISTADE HOOLIKAS KÄSITSEMINE JA KASUTAMINE
- a) **Ärge koormake seadet üle. Kasutage töö tegemiseks selleks ettenähtud elektrilist tööriista.** Sobiva elektrilise tööriistaga töötate paremini ja turvalisemalt ettenähtud võimsusvahemikus.
 - b) **Ärge kasutage elektrilist tööriista, mille lüliti on rikkis.** Elektriline tööriist, mida ei ole enam võimalik sisse ja välja lülitada, on ohtlik ning seda tuleb remontida.
 - c) **Tõmmake pistik pistikupesast välja ja/või eemaldage seadme aku, kui on eemaldatav, enne seadme reguleerimist, tarvikute vahetamist ja seadme ärapanekut.** See ettevaatusabinõu väldib seadme tahtmatut käivitamist.
 - d) **Kasutusvälisel ajal hoidke elektrilisi tööriistu lastele kättesaamatult. Ärge laske seadet kasutada isikutel, kes seda ei tunne või pole siintoodud juhiseid lugunud.** Kogenematute kasutatage käes kujutavad elektrilised tööriistad ohtu.
 - e) **Hoolitsege elektriliste tööriistade ja tarvikute eest korralikult. Kontrollige, kas seadme liikuvad osad funktsioneerivad korralikult ja ei kiildu kinni, ning ega mõned osad ei ole katki või sel määral kahjustatud, et võiksid mõjutada seadme töökindlust.** Laske kahjustatud osad enne seadme kasutamist parandada. Paljude õnnetuste põhjuseks on halvasti hooldatud elektrilised tööriistad.
 - f) **Hoidke lõiketarvikud teravad ja puhtad.** Hoolikalt hoitud, teravate lõikeservadega lõiketarvikud kiilduvad harvemini kinni ja neid on lihtsam juhtida.
 - g) **Kasutage elektrilist tööriista, lisavarustust, tarvikuid jne vastavalt siintoodud juhistele. Arvestage seejuures töötingimuste ja teostatava töö iseloomuga.** Elektriliste tööriistade kasutamine mitte ettenähtud otstarbel võib põhjustada ohtlikke olukordi.
 - h) **Hoidke käepidemed ja haardepinnad kuiva ja puhtana ning vabana õlist ja määrdeainetest.** Libedad käepidemed ja haardepinnad ei luba tööriista ohtuallt käitseda ja ootamatutes olukordades kontrolli all hoida.
- ## 5) TEENINDUS
- a) **Laske seadet parandada ainult kvalifitseeritud spetsialistidel ja ainult originaalvaruosadega.** Nii tagate seadme püsimise turvalisena.

POLEERIMISMASINATE OHUTUSJUHISED

1) ÜHISED OHUTUSNÕUDED POLEERIMISEL

- a) Käesolev elektriline tööriist on ette nähtud poleerimiseks. Järgige kõiki tööriistaga kaasasolevaid hoiatusi, juhiseid, jooniseid ja tehnilisi andmeid. Järgnevalt toodud juhiste eiramise tagajärjeks võib olla elektrilöök, tulekahju ja/või rasked vigastused.
- b) Tööriista pole soovitatav kasutada lihvimiseks, traatharjaga harjamiseks või lõikamiseks. Tööoperatsioonid, milleks elektritööriist pole ette nähtud, võivad osutada ohtlikuks ja vigastada inimesi.
- c) Veenduge, et poleerkettal ei oleks lahtisi osi, esmajoones kinnitusrõõre. Peitke või lühendage kinnitusrõõrid. Lahtised kaasapöörlevad kinnitusrõõrid võivad Teie sõrmed kaasa haarata või toorikusse kinni jääda.
- d) Ärge kasutage lisatarvikuid, mis ei ole tootja poolt käesoleva elektrilise tööriista jaoks ette nähtud või soovitatud. See, et saate lisatarvikute oma tööriista külge kinnitada, ei taga veel tööriista ohutut kasutust.
- e) Kasutatava tarviku lubatud pöörete arv peab olema vähemalt sama suur nagu elektrilise tööriista maksimaalne pöörete arv. Tarvik, mis pöörleb lubatust kiiremini, võib puruneda.
- f) Tarviku läbimõõt ja paksus peavad ühtima elektrilise tööriista mõõtudega. Valede mõõtmetega tarvikut ei kata kaitse piisaval määral.
- g) Keermestatud sabaga tarvikud peavad spindli keermega täpselt sobima. Flantsi abil monteeritavate tarvikute puhul peab tarviku siseava läbimõõt vastama flantsi siseava läbimõõdule. Elektrilise tööriista külge täpselt ja tugevalt kinnitatamata tarvikud pöörlevad ebaühtlaselt, vibreerivad tugevasti ja võivad põhjustada kontrolli kaotuse tööriista üle.
- h) Ärge kasutage vigastatud tarvikuid. Iga kord enne kasutamist kontrollige, ega lihvketastel ei esine pragusid või murenenud kohti, lihvlatadadel pragusid või kulunud kohti, traatharjadel lahtisi või murdunud traate. Kui elektriline tööriist või tarvik maha kukub, siis kontrollige, ega see ei ole vigastatud ning vajadusel võtke vigastatud tarviku asemel kasutusele vigastamata tarvik. Kui olete tarviku üle kontrollinud ja kasutusele võtnud, hoidke ennast ja lähedal viibivaid isikuid väljaspool pöörleva tarviku tasandit ja laske tööriistalt töötada ühe minuti vältel maksimaalpöörrel. Selle testperioodi jooksul vigastatud tarvikud üldjuhul murduvad.
- i) Kasutage isikukaitsevahendeid. Kandke vastavalt kasutusotstarbele näokaitsemaski või kaitseprille. Vajadusel kandke tolmukaitsemaski, kuulmiskaitsevahendeid, kaitsekindaid või spetsiaalpõlle, mis kaitseb Teid lihvimisel eralduvate väikeste materjaliosakeste eest. Silmi tuleb kaitsta töödeldavast materjalist eralduvate kildude ja võõrkehade eest. Tolmu- ja hingamisteede kaitsemaskid peavad filtreerima tekkiva tolmu. Pikaajaline tugev müra võib kahjustada kuulmist.
- j) Veenduge, et teised inimesed asuvad tööpiirkonnast ohutus kauguses. Igaüks, kes tööpiirkonda siseneb, peab kandma isikukaitsevahendeid. Materjalist

eralduvad killud või murdunud tarvikud võivad õhku paiskuda ning põhjustada vigastusi ka tööpiirkonnast väljaspool.

- k) Kui teostate töid, mille puhul võib tarvik tabada varjatud elektrijuhtmeid või seadme enda toitejuhet, hoidke seadet ainult isoleeritud käepidemetest. Kontakt pinge all oleva elektrijuhtmega võib pingestada seadme metallosad ja põhjustada elektrilöögi.
 - l) Hoidke toitejuhe pöörlevatest tarvikutest eemal. Kui kaotate kontrolli seadme üle, tekib toitejuhtme läbilõikamise või tarviku poolt kaasahaaramise oht ning Teie käsi võib pöörleva tarviku kaudu kokku puutuda.
 - m) Pange tööriist käest alles siis, kui tarvik on seiskunud. Pöörlev tarvik võib alusega kokku puutuda, mille tagajärjel võite kaotada kontrolli tööriista üle.
 - n) Ärge transportige töötavat tööriista. Teie rõivad võivad jääda pöörleva tarviku külge kinni ning tarvik võib tungida Teie kehasse.
 - o) Puhastage regulaarselt tööriista tuulutusavasid. Töötav mootor tõmbab korpusesse tolmu ning kogunev metallitolm võib vähendada elektriohutust.
 - p) Ärge kasutage elektrilist tööriista süttivate materjalide läheduses. Sädemete tõttu võivad taolised materjalid süttida.
 - q) Ärge kasutage tarvikuid, mille puhul on vaja kasutada jahutusvedelikke. Vee või teiste jahutusvedelike kasutamine võib põhjustada elektrilööki.
- ### 2) TAGASILÖÖK JA ASJAOMASED OHUTUSJUHISED
- Tagasilöök on kinnikiildunud pöörlevast tarvikust, näiteks lihvketast, lihvallast, traatharjast vmt põhjustatud järsk reaktsioon. Kinnikiildumine põhjustab pöörleva tarviku äkilise seiskumise. See omakorda tingib seadme kontrollimatut liikumise tarviku pöörlemissuunaga vastupidises suunas.
 - Lihvketta kinnikiildumise tagajärjeks võib olla lihvketta murdumine või tagasilöök. Lihvketas liigub siis sõltuvalt ketta pöörlemissuunast kas tööriista kasutaja suunas või kasutajast eemale. Seejuures võivad lihvketad ka murduda.
 - Tagasilöök on seadme vale või ebaõige kasutuse tagajärg. Tagasilööki saab sobivate ettevaatusabinõude rakendamisega ära hoida.
- a) Hoidke elektrilist tööriista tugevasti ja viige oma keha ja käed asendisse, milles saate tagasilöögiõududele vastu astuda. Kasutage alati lisakäepidet, kui see on olemas, et saavutada tagasilöögiõudude või reaktsioonimomentide üle võimalikult suurt kontrolli. Seadme kasutaja saab sobivate ettevaatusabinõude rakendamisega tagasilöögi- ja reaktsioonijõudusid kontrollida.
 - b) Ärge viige oma kätt kunagi pöörlevate tarvikute lähedusse. Tarvik võib tagasilöögi puhul riivata Teie kätt.
 - c) Vältige oma kehaga piirkonda, kuhu seade tagasilöögi puhul liigub. Tagasilöök paiskab seadme lihvketta liikimissuunale vastassuunas.
 - d) Töötage eriti ettevaatlikult nurkade, teravate servade jmt piirkonnas. Vältige tarviku tagasipõrkumist toorikut ja toorikuisse kinnijäämist. Pöörlev tarvik kaldub nurkades, teravates servades ja tagasipõrkumise korral kinni kiilduma. See põhjustab kontrolli kaotuse tööriista üle või tagasilöögi.

e) Ärge kasutage kett- ega hammastusega ketast.

Taolised tarvikud põhjustavad tihti tagasilöögi või kontrolli kaotuse seadme üle.

TÄIENDAVAD OHUTUSNÕUDED

ÜLDIST

- Kasutage antud tööriista ainult kuivpoleerimiseks
- Kasutage üksnes tööriistaga kaasasolevaid seibe
- Tööriista kasutaja peab olema vähemalt 16 aastat vana
- **Enne seadme reguleerimist või tarviku vahetust eemaldage seade vooluvõrgust (tõmmake pistik pistikupesast välja)**
- **Asbestisaldava materjali töötlemine on keelatud** (asbest võib tekitada vähki)

TARVIKUD

- SKIL tagab seadme häireteta töö üksnes sobivate tarvikute kasutamisel, mis on saadaval meie edasimüüjate juures või SKILL lepingulistest töökodades
- Teiste tootjate tarvikute kasutamisel järgige valmistaja antud juhiseid
- Kasutage vaid neid tarvikuid, mille lubatud pöörete arv on vähemalt sama suur nagu maksimaalsed tühikäigupöörded
- Ärge kasutage suletud keermega tarvikuid, mille keermee suurus jääb alla M14 x 21 mm
- Keelatud on kasutada rebenenud, deformeerunud või vibreerivaid tarvikuid
- Käsitsege ja hoidke tarvikuid ettevaatlikult

KASUTAMINE VÄLISLINGIMUSTES

- Tööde teostamisel välitingimustes tuleb kasutada rikkevoolu-kaitseülilitit (FI max 30 mA käivitusvool) ning ainult välitingimustes kasutamiseks ette nähtud ja veepritsmete eest kaitstud pistikupesaga pikendusjuhet

ENNE KASUTAMIST

- Kontrollige alati, kas võrgupinge ühtib tööriista andesildil toodud pingega
- Paigaldage alati lisakäepide A ② või B ②; ärge kasutage tööriista ilma nendeta
- Värviga kaetud juhtmed, mõned puiduliigid, mineraalid ja metall eraldavad tolmu, mis võib olla kahjulik (kokkupuude tolmuga või selle sissehingamine võib seadme kasutajal või läheduses viibivatel inimestel põhjustada allergilisi reaktsioone ja/või hingamisteede haigusi); **kandke tolmumaski ja vajaduse korral töötage külgeühendatava tolmueemaldusseadmega**
- Teatud tüüpi tolm on klassifitseeritud kantserogeensena (nt tammest ja kasest eralduv tolm), eriti koos puudu niiskuse reguleerimiseks kasutatavate lisanditega; **kandke tolmumaski ja vajaduse korral töötage külgeühendatava tolmueemaldusseadmega**
- Erinevate materjalide töötlemisel tekkiva tolmu käitlemisel tuleb järgida kehtivaid nõudeid
- **Fikseerige toorik** (fiksaatoriga kinnitatud või kruustangide vahele pandud toorik püsib kindlamini paigal kui lihtsalt käega hoides)
- Ärge kinnitage tööriista pitskruviga
- Pikendusjuhtmete kasutamisel jälgige, et juhe oleks lõpuni lahti keritud ja vastaks 16 A voolutugevusele

KASUTAMISE AJAL

- Hoidke seadet alati kindlalt kahe käega ja võtke stabiilne tööasend

- Vältige toitejuhtme kokkupuutumist seadme pöörlevate osadega; hoidke toitejuhet alati tööriistast eemal, tagapool
- Kui toitejuhe saab töötamisel ajal kahjustada või see lõigatakse läbi, ärge toitejuhet puutuge, vaid eemaldage koheselt pistik vooluvõrgust
- Ärge kunagi kasutage kahjustatud toitejuhtmega tööriista; laske toitejuhe remonditöökojas välja vahetada
- Seadme elektrilise või mehhaanilise häire korral lülitage seade viivitamatult välja ja eemaldage pistik vooluvõrgust
- Voolukatkestuse korral ning juhul, kui olete tõmmanud pistiku kogemata pistikupesast välja, vabastage lüliti H ② et vältida tööriista kontrollimatut käivitumist

PÄRAST KASUTAMIST

- Enne tööriista juurest lahkimist lülitage see välja ning oodake, kuni selle liikuvad osad on täielikult seiskunud
- Keelatud on pidurdada tarvikuid pärast tööriista väljalülitamist külgsurvega

TÖÖRIISTAL OLEVATE SÜMBOLITE SELGITUS

- ③ Enne kasutamist tutvuge kasutusjuhendiga
- ④ Kandke kaitseprille ja kõrvaklappe
- ⑤ Topeltisolatsioon (maandusjuhe pole vajalik)
- ⑥ Ärge visake kasutuskõlbatuks muutunud tööriista ära koos olmejäätmetega

KASUTAMINE

- Lisakäepidemete paigaldamine ⑦
 - ! **eemaldage seade vooluvõrgust**
 - lisakäepidet A on võimalik kruvida tööriista paremale või vasakule küljele (sõltuvalt tehtavast tööst)
 - kinnitage lisakäepide B näidatud viisil ja pingutage mõlemad kruvid kaasasoleva kuuskantvõtmega C
- Tarviku paigaldamine ②
 - ! **eemaldage seade vooluvõrgust**
 - puhastage spindel D ja kõik monteeritavad osad
 - kruvige VELCRO alusketas E võllile D, vajutades samal ajal võlli lukustusnuppu F
 - ! **spindli lukustusnupule F tohib vajutada ainult siis, kui spindel D seisab**
 - suruge villast kate lihtsalt G VELCRO alusketta peale E
 - tarviku eemaldamiseks toimige vastupidises järjekorras
- Enne tööriista kasutamist
 - veenduge, et tarvik on õigesti paigaldatud ja kindlalt kinnitatud
 - kontrollige paigaldatud tarviku vaba liikumist, pöörates seda käega
 - proovijoooksuks laske tööriistal turvalises asendis vähemalt 60 sekundit maksimumkiirusel ilma koormuseta töötada
 - tugeva vibratsiooni või muu defekti korral lülitage tööriist viivitamatult välja ja selgitage välja tõrke võimalik põhjus
- Sisse/välja
 - seadme sisselülitamiseks/väljalülitamiseks vajutage/vabastage tööülilitile H ②
- Elektrooniline süjuv käivitus
 - Kindlustab maksimumkiiruse saavutamise ilma äkilise nõksatuseta tööriista sisselülitamisel
- Lüliti lukustamine pidevaks tööks
 - vajutage tööülilitile H
 - vajutage põldlaga nupule J

- fikseeringu vabastamiseks vajutage uuesti tööüliltele H ja vabastage see
- Kiiruse kontroll ⑧
 - regulaatori K abil saab maksimumkiirust reguleerida (1-MAX)
 - seadke regulaatori K käivitamiseks asendisse 1 (madal kiirus)
 - vajaduse korral valige tööriista töötamise ajal suurem kiirus
 - optimaalne töökiirus oleneb materjalist ja selle saab kindlaks määrata katsetamise teel
- Seadme kasutamine
 - lülitage seade sisse
 - asetage tööriist täies ulatuses poleeritava pinnale ja juhtige seadet löökude kaupa ühtlaselt üle pinna
 - järgmise löögu poleerimisel asetage tööriist nii, et poleerite kõrvalolevat lööku pooles ulatuses veelkord
 - pealispinna põletamise vältimiseks ärge jätke tööriista ühte kohta seisma
 - pealispinna plekiliseks muutumise või põletamise vältimiseks ärge nihutage tööriista ringikujuliselt
 - ! **enne tööriista väljalülitamist tuleb see töödeldavalt esemelt eemaldada**
 - ! **pärast tööriista väljalülitamist pöörleb tarvik mõne sekundi jooksul edasi**
- Tööriista hoidmine ja juhtimine ⑨
 - ! **töötamise ajal hoidke tööriista kinni korpuse ja käepideme halli värvi osadest**
 - hoidke tööriista kahe käega, et see oleks kogu aeg Teie kontrolli all
 - võtke stabiilne tööasend
 - ! **ärge rakendage tööriistale nii tugevat survet, et see seiskub**
 - hoidke õhutusavad L ② kinnikatmata

HOOLDUS/TEENINDUS

- Kaitske tööriista löökide, põrutuste ja määrdeainete eest
- Hoidke seade ja toitejuhe alati puhtad (eriti õhutusavad L ②)
 - ! **enne puhastamist eemaldage seade vooluvõrgust**
 - ! **ärge püüdke puhastada, pistes õhutusavadesse teravaid esemeid**
- Tööriist on hoolikalt valmistatud ja testitud; kui tööriist sellest hoolimata rikki läheb, tuleb see lasta parandada SKILi elektriliste käsitööriistade volitatud remonditöökojas
 - toimetage **lahtimonteerimata** seade koos ostukviitungiga tarnijale või lähimasse SKILi lepingulisse töökotta (aadressid ja tööriista varuosade joonise leiate aadressil www.skil.com)

KESKKOND

- **Ärge visake kasutuskõlbmatuks muutunud elektrilisi tööriistu, lisatarvikuid ja pakendeid ära koos olmejäätmetega** (üksnes EL liikmesriikidele)
 - vastavalt Euroopa Parlamendi ja nõukogu direktiivile 2012/19/EÜ elektri- ja elektroonikaseadmete jäätmete kohta ning direktiivi nõuete kohaldamisele liikmesriikides tuleb kasutuskõlbmatuks muutunud elektrilised tööriistad koguda eraldi ja keskkonnasäästlikult korduvkasutada või ringlusse võtta
 - seda meenutab Teile sümbol ⑥

MÜRA / VIBRATSIOON

- Vastavalt kooskõlas normiga EN 60745 läbi viidud mõõtmistele on tööriista helirõhk 86 dB(A) ja helitugevus 97 dB(A) (standardkõrvallekkale: 3 dB), ja vibratsioon 8,5 m/s² (kolme telje vektorsumma; mõõtemääramatus K = 1,5 m/s²)
- Tekkiva vibratsiooni tase on mõõdetud vastavalt standardis EN 60745 kirjeldatud standarditud testile; seda võib kasutada tööriistade võrdlemiseks ja tööriista kasutamisel ettenähtud töödeks esineva vibratsiooni esialgseks hindamiseks
 - tööriista kasutamisel muudeks rakendusteks või teiste/ halvasti hooldatud tarvikute kasutamisel võib vibratsioon märkimisväärselt **suurened**
 - ajal, kui tööriist on väljalülitatud või on küll sisselülitatud, kuid tegelikult seda ei kasutata, võib vibratsioon märkimisväärselt **vähened**
- ! **enda kaitsmiseks vibratsiooni eest hoolitage tööriista ja selle tarvikuid korralikult, hoidke oma käed soojad ja tagage sujuv töökorraldus**

LV

Pulëjamä mašina

9955

IEVADS

- Šis instruments ir paredzēts metāla, plastmasas un virsmu ar pārkļājumu pulēšanas darbiem, kā arī mūrējumu pulēšanai, izmantojot sausās apstrādes metodes
- Izlasiet un saglabājiet šo pamācību ③

TEHNISKIE PARAMETRI ①

INSTRUMENTA ELEMENTI ②

- A Papildrokturis
- B Papildrokturis (tipam D)
- C Sešstūra stienātslēga
- D Darbvārpsta
- E Slīpēšanas pamatne (VELCRO tipa)
- F Darbvārpstas fiksācijas poga
- G Vilnas pulēšanas uzliktnis
- H Ieslēdzējs
- J Ieslēdzēja fiksators
- K Pirkstrats maksimālā griešanās ātruma priekšiestādīšanai
- L Ventilācijas atveres

DROŠĪBA

VISPĀRĒJIE NOTEIKUMI ELEKTROINSTRUMENTU DROŠAI LIETOŠANAI

BRĪDINĀJUMS Izlasiet drošības noteikumus un instrukcijas, aplūkojiet ilustrācijas un iepazīstieties ar specifikācijām, kas tiek piegādātas kopā ar šo elektroinstrumentu. Šeit sniegto drošības noteikumu un instrukciju neievērošana var izraisīt aizdegšanos un būt par cēloni elektriskam triecienam vai nopietnam savainojumam.

darbojas bez traucējumiem un nav iespīlētas, vai kāda no daļām nav salauzta vai bojāta, vai katra no tām pareizi funkcionē un pilda tai paredzēto uzdevumu. Nodrošiniet, lai bojātās daļas tiktu savlaicīgi nomainītas vai remontētas pilnvarotā remontu darbnīcā. Daudzi nelaimes gadījumi notiek tāpēc, ka elektroinstrumenti pirms lietošanas nav pienācīgi apkalpoti.

- f) **Savlaicīgi notīriet un uzasiniet griezošos darbinstrumentus.** Rūpīgi kopti instrumenti, kas apgādāti ar asiem griežējinstrumentiem, ļauj strādāt daudz ražīgāk un ir vieglāk vadāmi.
 - g) **Lietojiet vienīgi tādus elektroinstrumentus, papildpiederumus, darbinstrumentus utt., kas paredzēti attiecīgajam pielietojuma veidam. Bez tam jāņem vērā arī konkrētie darba apstākļi un pielietojuma īpatnības.** Elektroinstrumentu lietošana citiem mērķiem, nekā to ir paredzējusi ražotājfirma, ir bīstama un var novest pie neparedzamām sekām.
 - h) **Uzturiet elektroinstrumenta rokturus un noturvirsmas sausas un tīras, sargājiet tās no eļļas un smērvielām.** Slideni rokturi un noturvirsmas traucē efektīvi rīkoties ar elektroinstrumentu un to droši vadīt neparedzētās situācijās.
- 5) APKALPOŠANA**
- a) **Nodrošiniet, lai Instrumenta remontu veiktu kvalificēts personāls, nomainībai izmantojot oriģinālās rezerves daļas un piederumus.** Tikai tā iespējams panākt instrumenta ilgstošu un nevainojamu darbību bez atteikumiem.

DARBA DROŠĪBAS NOTEIKUMI PULĒJAMAJĀM MAŠĪNĀM

1) KOPĒJIE DROŠĪBAS NOTEIKUMI PULĒŠANAI

- a) **Šis elektroinstrumenti ir lietojams kā pulējama mašīna. Nemiet vērā visas elektroinstrumentam pievienotās instrukcijas, norādījumus, attēlus un citu informāciju.** Turpmāk sniegto norādījumu neievērošana var kļūt par cēloni elektriskajam triecienam, ugunsgrēkam un/vai smagam savainojumam.
- b) **Šis elektroinstrumenti nav ieteicami izmantot rupjai un smalkai slīpēšanai, virsmu attīrīšanai ar stieples suku un griešanai.** Tādu darbību veikšana, kurām šis darbinstruments nav paredzēts, var nodarīt kaitējumu un izraisīt savainojumus.
- c) **Neatstājiet nostiprinātas pulējošā uzliktna daļas, īpaši tā stipriņosās atsaites. Aptiniet un sasieniet vai sasiniet stipriņosās atsaites.** Nostiprinātas, kopā ar uzliktni rotējošās stipriņosās atsaites var skart lietotāja rokas un aptīties ap pirkstiem vai iekerties apstrādājamā priekšmetā.
- d) **Neizmantojiet piederumus, kurus ražotājfirma nav paredzējusi šim elektroinstrumentam un ieteikusi lietošanai kopā ar to.** Iespēja nostiprināt piederumu uz elektroinstrumenta vēl negarantē tā drošu lietošanu.
- e) **Darbinstrumentu pieļaujamajam griešanās ātrumam jābūt ne mazākam par elektroinstrumenta maksimālo griešanās ātrumu.** Piederumi, kas griežas ātrāk, nekā tas ir pieļaujams, var tikt bojāti.
- f) **Darbinstrumentu ārējām diametram jābūzams jāatbilst elektroinstrumenta konstrukcijai un izmēriem.** Ja darbinstrumenta izmēri ir izvēlēti nepareizi,

tas pilnībā nenovietojas zem aizsarga un darba laikā apgrūtina instrumenta vadību.

- g) **Darbinstrumentiem, kas stiprināmi ar vītnes palīdzību, stipriņosajai vītnei precīzi jāatbilst slīpmašīnas darbvarpsta vītnei.** Darbinstrumentiem, kas stiprināmi ar balstaplaiksnes palīdzību, atvērma diametram jāatbilst balstaplaiksnes stipriņosā pacēluma diametram. Darbinstrumenti, kas nav precīzi nostiprināti uz elektroinstrumenta darbvarpsta, nevienmērīgi griežas, ļoti spēcīgi vibrē un var izraisīt kontroles zaudēšanu pār elektroinstrumentu.
- h) **Neizmantojiet bojātus darbinstrumentus. Ik reizi pirms darbinstrumentu lietošanas pārbaudiet, vai tie nav bojāti, piemēram, vai slīpēšanas diski nav atslāņojušies vai ieplaisājuši, vai slīpēšanas pamatnē nav vērojamas plaisas un vai stieplu suku veidojošās stieples nav valīgas vai atlūzušas. Ja elektroinstrumenti nav darbinstruments ir kritis no zināma augstuma, pārbaudiet, vai tas nav bojāts, vai arī izmantojiet darbam nebojātu darbinstrumentu.** Pēc darbinstrumenta apskates un iestiprināšanas ļaujiet elektroinstrumentam darboties ar maksimālo griešanās ātrumu vienu minūti ilgi, turot rotējošo darbinstrumentu drošā attālumā no sevis un citām tuvumā esošajām personām. Bojātie darbinstrumenti šādas pārbaudes laikā parasti salūst.
- i) **Lietojiet individuālos darba aizsardzības līdzekļus. Atkarībā no veicamā darba rakstura izvēlieties pilnu sejas aizsargu, noslēdzošās aizsargbrilles vai parastās aizsargbrilles. Lai aizsargātos no lidojošajām slīpēšanas darbinstrumenta un apstrādājamā materiāla daļiņām, pēc vajadzības lietojiet putekļu aizsargmasku, ausu aizsargus un aizsargcimdus vai arī īpašu priekšautu.** Lietotāja acis jāpasargā no lidojošajiem svešķermeņiem, kas dažkārt rodas darba gaitā. Putekļu aizsargmaskai vai respiratoram jāpasargā lietotāja elpošanas ceļi no putekļiem, kas veidojas darba laikā. Ilgstoši iedarbojoties stipram troksnim, var rasties paliekoši dzirdes traucējumi.
- j) **Sekojiet, lai citas personas atrastos drošā attālumā no darba vietas. Ikvienam, kas atrodas darba vietas tuvumā, jālieto individuālie darba aizsardzības līdzekļi.** Apstrādājamā priekšmeta atlūzas vai salūzuša darbinstrumenta daļas var lidot ar ievērojamu ātrumu un nodarīt kaitējumu cilvēku veselībai arī zināmā attālumā no darba vietas.
- k) **Veicot darbu, kura laikā darbinstruments var skart slēptus elektriskos vadus vai paša instrumenta elektrokabeli, turiet instrumentu tikai aiz izolētajām virsmām.** Darbinstrumentam skart spriegumnesošu vadus, spriegums nonāk arī uz instrumenta metāla daļām un var būt par cēloni elektriskajam triecienam.
- l) **Netuviniet rotējošu darbinstrumentu elektrokabelim.** Zūdot kontrolei pār instrumentu, darbinstruments var pārgriezt kabeli vai iekerties tajā, kā rezultātā lietotāja roka var saskarties ar rotējošo darbinstrumentu.
- m) **Nenovietojiet elektroinstrumentu, kamēr tajā iestiprinātais darbinstruments nav pilnīgi apstājies.** Rotējošais darbinstruments var skart atbalsta virsmu, kā rezultātā elektroinstrumenti var kļūt nevadāms.

- n) **Nedarbiniet elektroinstrumentu laikā, kad tas tiek pārnests.** Lietotāja apģērbs vai mati var nejauši nonākt saskarē ar rotējošo darbinstrumentu un iekerties tajā, izsaucot darbinstrumenta saskaršanos ar lietotāja ķermeni.
- o) **Regulāri tīriet elektroinstrumenta ventilācijas atveres.** Dzinēju ventilējošā gaisa plūsma ievēl putekļus instrumenta korpusā, bet liela metāla putekļu daudzuma uzkrāšanās var būt par cēloni elektrotraumai.
- p) **Nelietojiet elektroinstrumentu ugunsdrošu materiālu tuvumā.** Lidojošās dzirksteles var izsaukt šādu materiālu aizdegšanos.
- q) **Nelietojiet darbinstrumentus, kuriem jāpievada dzesējošais šķidrums.** Ūdens vai citu šķidro dzesēšanas līdzekļu izmantošana var būt par cēloni elektriskajam triecienam.
- 2) ATSITIENS UN AR TO SAISTĪTIE NORĀDĪJUMI**
- Atsitiens ir specifiska instrumenta reakcija, pēkšņi iekertoties vai iestrēgstot rotējošam darbinstrumentam, piemēram, slīpēšanas diskam, slīpēšanas pamatnei, stieplju sukai u.t.t. Rotējoša darbinstrumenta iekēršanās vai iestrēgšana izsauc tā pēkšņu apstāšanos. Tā rezultātā elektroinstrumenti pārvietojas virzienā, kas pretējs darbinstrumenta kustības virzienam iestrēguma vietā, un nereti kļūst nevadāms.
 - Ja, piemēram, slīpēšanas disks iekēras vai iestrēgst apstrādājamajā priekšmetā, tajā iegremdētā diska mala var izrautes no apstrādājamā materiāla vai izraisīt atsitienu. Šādā gadījumā slīpēšanas disks pārvietojas lietotāja virzienā vai arī prom no viņa, atkarībā no diska rotācijas virziena attiecībā pret apstrādājamo priekšmetu. Turklāt slīpēšanas disks var salūzt.
 - Atsitiens ir sekas elektroinstrumenta nepareizai vai neprasmīgai lietošanai. No tā var izvairīties, ievērojot zināmus piesardzības pasākumus, kas aprakstīti turpmākajā izklāstā.
- a) **Stingri turiet elektroinstrumentu un ieņemiet tādu ķermeņa un roku stāvokli, kas vislabāk ļautu pretoties atsitiens spēkam. Vienmēr izmantojiet papildrokturi, kas ļauj optimāli kompensēt atsitienu vai reaktīvo griezes momentu un saglabāt kontroli pār instrumentu.** Veicot zināmus piesardzības pasākumus, lietotājs jebkurā situācijā spēj efektīvi pretoties atsitienu un reaktīvajam griezes momentam.
- b) **Netuviniet rokas rotējošam darbinstrumentam.** Atsitienu gadījumā darbinstruments var saskarties ar lietotāja roku.
- c) **Izvairieties atrasties vietā, kurp varētu pārvietoties elektroinstrumenti, notiekot atsitienu.** Atsitienu gadījumā elektroinstrumenti pārvietojas virzienā, kas pretējs darbinstrumenta kustības virzienam iestrēguma vietā.
- d) **Ievērojiet īpašu piesardzību, strādājot stūru un asu malu tuvumā. Nepieļaujiet, lai darbinstruments atlektu no apstrādājamā priekšmeta vai iestrēgtu tajā. Saskaroties ar stūriem vai asām malām rotējošais darbinstruments izliecas un atlec no apstrādājamā priekšmeta vai iestrēgst tajā. Tas var būt par cēloni kontroles zaudēšanai pār instrumentu vai atsitienu.**
- e) **Nelietojiet zāga asmeņus, kas apgādāti ar zobiem un/vai ir paredzēti koka zāgēšanai.** Šādu

darbinstrumentu izmantošana var būt par cēloni atsitienu vai kontroles zaudēšanai pār elektroinstrumentu.

PAPILDU DROŠĪBAS NOTEIKUMI

VISPĀRĒJA INFORMĀCIJA

- Lietojiet šo instrumentu tikai sausai pulēšanai
- Izmantojiet tikai instrumenta piegādes komplektā ietilpstošos piespiedējuzgriežņus
- Šo instrumentu nedrīkst izmantot personas, kas jaunākas par 16 gadiem
- Pirms instrumenta regulēšanas vai piederumu nomaiņas atvienojiet to no barojošā elektrotīkla**
- Neapstrādājiet materiālus, kas satur azbestu** (azbestam piemīt kancerogēnas īpašības)

PIEDERUMI

- SKIL garantē instrumenta nevainojamu darbību tikai tad, ja tiek lietoti pareizi izvēlēti papildpiederumi, kas iegādāti pie SKIL oficiālā izplatītāja
- Uzstādot/izmantojot citu firmu papildpiederumus, ievērojiet to ražotāju sniegtās instrukcijas
- Lietojiet tikai tādu darbinstrumentus, kuru pieļaujamais darbības ātrums ir vismaz tikpat liels, kā instrumenta maksimālais brīvgaits ātrums
- Neizmantojiet papildpiederumus ar "aklo" vītņoto atveri, kas ir mazāka par M14 x 21 mm
- Nelietojiet bojātus, izbalansētus vai vibrējošus papildpiederumus
- Uzmanīgi rīkojieties un uzglabājiet piederumus

STRĀDĀJOT ĀRPUS TĒLPĀM

- Ja instrumentu tiek izmantots ārpus telpām, pievienojiet to elektriskajam spriegumam izmantojot noplūdes strāvas releju - pārtraucēju, kas nostrādā, ja strāva instrumenta aizsargzemeļuma ķēdē pārsniedz 30 mA; ārpus telpām izmantojiet tikai šādi lietošanai paredzētus elektrotīkla pagarinātājkabeļus, kuri ir apgādāti ar ūdensdrošu kontaktilgzdu

PIRMS DARBA UZSĀKŠANAS

- Vienmēr pārliecinieties, ka spriegums, kas uzrādīts uz instrumenta marķējuma plāksnītes, atbilst padeves spriegumam elektrotīklā
- Pirms instrumenta lietošanas obligāti nostipriniet uz tā papildrokturi A ② vai B ②
- Materiāla (piemēram, svina saturošas krāsas, dažu koka šķirņu, minerālu un metāla) putekļi var būt kaitīgi (saskare ar putekļiem vai to ieelpošana var izraisīt alerģiskas reakcijas un/vai elpošanas ceļu saslimšanas operatoram vai klātesošajiem); **izmantojiet putekļu masku un putekļsūcēju, ja to iespējams pievienot**
- Dažu veidu putekļi ir klasificēti kā kancerogēni (piemēram, ozola vai dižskābarža putekļi), jo īpaši apvienojumā ar koksnes kondicionēšanas piedevām; **izmantojiet putekļu masku un putekļsūcēju, ja to iespējams pievienot**
- Ievērojiet ar putekļu savākšanu saistītos nacionālos noteikumus, kas attiecas uz apstrādājamajiem materiāliem
- Nostipriniet apstrādājamo detaļu** (to ir drošāk nostiprināt ar spailēm vai skrūvspilēm, nevis turēt rokā)
- Nenostipriniet instrumentu, iespējot to skrūvspilēs
- Lietojiet pilnīgi atīttus un drošus pagarinātājkabeļus, kas paredzēti 16 A strāvai

DARBA LAIKĀ

- Vienmēr stingri turiet instrumentu ar abām rokām un nodrošiniet stabili pamatu zem kājām
- Darba laikā sekojiet, lai elektrokabelis atrastos drošā attālumā no instrumenta kustīgajām daļām un stieptos prom no darba vietas virzienā uz aizmuguri
- Ja darba laikā tiek pārgriezts vai citādi mehāniski bojāts instrumenta elektrokabelis, nepieskarieties tam, bet nekavējoties atvienojiet elektrokabeļa kontaktdakšu no barojošā elektrotīkla
- Neizmantojiet instrumentu, ja tam ir bojāts elektrokabelis; tā nomaļņu drīkst veikt tikai pieredzējis speciālists
- Elektriska vai mehāniska rakstura kļūmes gadījumā nekavējoties izslēdziet instrumentu un atvienojiet kabeļa kontaktdakšu no elektrotīkla
- Ja darba laikā pārtrūkst elektrobarošanas padeve vai elektrokabeļa kontaktdakša nejauši atvienojas no elektrotīkla, atļaidiet ieslēdzēju (H ②), lai novērstu instrumenta patvaļīgu ieslēgšanos

PĒC DARBA PABEIGŠANAS

- Pirms instrumenta novietošanas izslēdziet to un nogaidiet, līdz tā kustīgās daļas pilnīgi apstājas
- Pēc instrumenta izslēgšanas nobremzējiet rotējošo darbinstrumentu ar sānspiiedienu

UZ INSTRUMENTA ATTĒLOTO SIMBOLU

SKAIDROJUMS

- ③ Pirms izstrādājuma lietošanas izlasiet tā lietošanas pamācību
- ④ Darba laikā uzvelciet aizsargbrilles un ausu aizsargus
- ⑤ Divkārsa izolācija (nav jālieto zemējuma vads)
- ⑥ Neizmēti nolieciet instrumentu sadzīves atkritumu tvērnē

DARBS

- Papildrokturu pievienošana ⑦
! atvienojiet instrumentu no elektrotīkla
 - ieskrūvējiet papildrokturi A instrumenta galvas labajā vai kreisajā pusē atbilstoši veicamā darba raksturam
 - pievienojiet papildrokturi B, kā parādīts attēlā, un pievelciet abas skrūves ar sešstūra stienātslēgu C
- Darbinstrumentu iestiprināšana ②
! atvienojiet instrumentu no elektrotīkla
 - pirms darbinstrumenta iestiprināšanas noīrieties darbvārpstu D un pārējās iestiprināmās daļas
 - pievienojiet VELCRO slīpēšanas pamatni E darbvārpstai D, nospiežot darbvārpstas fiksējošo pogu F**! darbvārpstas fiksācijas pogu F drīkst nospiegt tikai tad, kad instrumenta darbvārpsta D atrodas miera stāvoklī**
 - vienkārši nospiediet ādas uzliktni G uz VELCRO slīpēšanas pamatnes E
 - lai noņemtu darbinstrumentu, rīkojieties pretējā secībā
- Pirms darba uzsākšanas
 - pārbaudiet, vai darbinstruments ir pareizi novietots uz darbvārpstas un stingri nostiprināts
 - pagriežot darbinstrumentu ar roku, pārbaudiet, vai tas var brīvi rotēt
 - pārbaudiet instrumentu, turot to drošā stāvoklī un ļaujot darboties pie maksimālā brīvgaits ātruma vismaz 60 sekundes

- ja ir novērojama stipra vibrācija vai tiek konstatēti kādi citi defekti, nekavējoties izslēdziet un pārbaudiet instrumentu
- Ieslēgšana/izslēgšana
 - lai ieslēgtu/izslēgtu instrumentu, nospiediet/atļaidiet ieslēdzēju H ②
- Elektroniskā palaišanas strāvas ierobežošana
Nodrošina, ka darbvārpstas maksimālais griešanās ātrums tiek sasniegts pakāpeniski, bez pēkšņa grūdienu instrumenta ieslēgšanas brīdī
- Instrumenta ieslēgšana ilgstošai darbībai, fiksējot tā ieslēdzēju
 - nospiediet ieslēdzēju H
 - ar īkšķi nospiediet pogu J
 - defiksējiet taustiņu, atkārtoti nospiežot un atlaižot ieslēdzēju H
- Griešanās ātruma regulēšana ⑧
 - ar pirkstrata K palīdzību maksimālo darbvārpstas griešanās ātrumu iespējams regulēt no nelielas vērtības līdz lielākai (1-MAX)
 - uzsāciet darbu, pirkstratam K atrodoties stāvoklī 1 (neliels ātrums)
 - ja nepieciešams, instrumenta darba laikā izvēlieties lielāku ātrumu
 - optimālais darba ātrums ir atkarīgs no materiāla, un to var noteikt, izmēģinot praksi
- Instrumenta darbināšana
 - ieslēdziet instrumentu
 - uzmanīgi novietojiet instrumentu uz pulējamās virsmas tā, lai darbinstruments pilnībā atrastos uz tās, un vienmērīgi pārvietojiet pa virsmas segmentiem
 - katrai kustībai ir daļēji (apmēram par pusi) jāpārkļāj iepriekšējās kustības laikā apstrādātā vieta
 - nebeidziet darbu vienā punktā, lai izvairītos no pārkļājuma bojājumiem
 - nevirziet instrumentu pa apli, lai novērstu pārkļājuma nevienmērīgu iekrāsošanos vai piedegšanu**! pirms instrumenta izslēgšanas paceliet to no apstrādājamā priekšmeta virsmas**
! darbinstruments zināmu laiku turpina griezties arī pēc instrumenta izslēgšanas
- Instrumenta turēšana un vadīšana ⑨
 - ! darba laikā vienmēr turiet instrumentu aiz pelēkās krāsas noturvirsmas(ām)**
 - lai nodrošinātu pilnīgu kontroli pār instrumentu, stingri turiet to ar abām rokām
 - darba laikā nodrošiniet kājām stingru atbalstu
 - ! nepārslēdziet instrumentu līdz tādai pakāpei, ka tā darbvārpsta tiek pilnīgi nobremzēta**
 - nenosprostojiet instrumenta ventilācijas atveres L ②

APKALPOŠANA / APKOPE

- Sargājiet instrumentu no triecieniem, sitieniem un smērvielām
- Uzturiet tīru instrumentu un elektrokabeļi (īpaši ventilācijas atveres L ②)
! pirms instrumenta tīrīšanas atvienojiet to no elektrotīkla
! nemēģiniet tīrīt ventilācijas atveres, ievadot tajās smailus priekšmetus
- Ja, neraugoties uz augsto izgatavošanas kvalitāti un rūpīgo pēczaļģanas pārbaudi, instruments tomēr

sabojājas, tas jānogādā remontam firmas SKIL pilnvarotā elektroinstrumentu remonta darbnīcā

- nogādājiet instrumentu **neizjauktā veidā** kopā ar iegādes dokumentiem tuvākajā tirdzniecības vietā vai firmas SKIL pilnvarotā pēciegādes apkalpošanas un remonta iestādē (adreses un instrumenta apkalpošanas shēma ir sniegta interneta vietnē www.skil.com)

APKĀRTĒJĀS VIDES AIZSARDZĪBA

- **Neizmetiet elektroiekārtas, piederumus un iesaiņojuma materiālus sadzīves atkritumos** (tikai ES valstīm)
- saskaņā ar Eiropas Savienības direktīvu 2012/19/ES par nolietotajām elektriskajām un elektroniskajām iekārtām un tās atspoguļojumiem nacionālajā likumdošanā, nolietotās elektroiekārtas ir jāsavāc, jāizjauc un jānogādā otrreizējai pārstrādei apkārtējai videi nekaitīgā veidā
- īpašs simbols  atgādina par nepieciešamību izstrādājumu utilizēt videi nekaitīgā veidā

TROKSNIS / VIBRĀCIJA


- Saskaņā ar standartu EN 60745 noteiktais instrumenta radītā trokšņa skaņas spiediena līmenis ir 86 dB(A) un skaņas jaudas līmenis ir 97 dB(A) (pie tipiskās izkliedes: 3 dB), un vibrācijas paātrinājums ir 8,5 m/s² (vektoru summa trijos virzienos; izkliede K = 1,5 m/s²)
 - Vibrācijas līmenis ir noteikts, izmantojot standartā EN 60745 paredzēto procedūru; to var izmantot, lai salīdzinātu instrumentus un provizoriski izvērtētu vibrācijas iedarbību, lietojot instrumentu minētajiem mērķiem
 - instrumenta izmantošana citiem mērķiem vai ar citiem vai nepietiekami koptiem piederumiem var ievērojami **palielināt** kopējo vibrācijas iedarbības pakāpi
 - laika periodi, kad instruments ir izslēgts vai arī ir ieslēgts, taču darbs ar to nenotiek, var ievērojami **samazināt** kopējo vibrācijas iedarbības pakāpi
- ! pasargājiet sevi no vibrācijas iedarbības, veicot instrumenta un tā piederumu tehnisko apkopi, novēršot roku atdzišanu un pareizi organizējot darbu**

LT

Poliruoklis

9955

ĪVADAS

- Šis prietaiss skirtas poliruoti metalinius, plastiskus ir dengtus paviršius bei akmeniskus paviršius nenaudojot vandens
- Perskaitykite ir išsaugokite šią naudojimo instrukciją 

TECHNINIAI DUOMENYS

PRIETAISO ELEMENTAI

- A Pagalbinė rankena
- B Pagalbinė rankena (tipai D)
- C Sešiabriaunis raktas

D Suklys

E Šlifavimo padas (VELCRO)

F Suklio blokavimo mygtukas

G Vilnonis gaubtas

H Įjungimo/išjungimo jungiklis


J Rankenėlė įjungimo/išjungimo jungikliui užrakinti

K Ratukas maksimalių sukčių reguliavimui

L Ventilacinės angos

SAUGA

BENDRIEJI ELEKTRINIŲ ĮRANKIŲ SAUGOS ĮSPĖJIMAI

 **ĮSPĖJIMAS Perskaitykite visus su šiuo elektriniu įrankiu pateikiamus saugos įspėjimus, instrukcijas, peržiūrėkite iliustracijas ir specifikacijas.** Jei nepaisysite visų žemiau pateiktų instrukcijų, galite patirti elektros smūgi, sukelti gaisrą ir sunkiai susižaloti arba sužaloti kitus asmenis. **Išsaugokite visus perspėjimus ir instrukcijas, kad vėliau galėtumėte pasinaudoti.** Toliau pateiktame tekste vartojama sąvoka "elektrinis įrankis" apibūdina įrankius, maitinamus iš elektros tinklo (su maitinimo laidu), ir akumuliatorinius įrankius (be maitinimo laido).

1) DARBO VIETOS SAUGUMAS

- a) **Darbo vieta turi būti švari ir tvarkinga.** Tinkama netvarkinga aplinka gali tapti nelaimingų atsitikimų priežastimi.
- b) **Nedirbkite tokioje aplinkoje, kur yra degių skysčių, dujų ar dulkių.** Elektriniai įrankiai gali kibirkščiuoti, o nuo kibirkščių dulkės arba susikaupę garai gali užsidegti.
- c) **Dirbdami su elektriniu įrankiu neleiskite šalia būti žiūrovams, vaikams ir lankytojams.** Nukreipę dėmesį į kitus asmenis galite nebesuvaldyti prietaiso.

2) ELEKTROSAUGA

- a) **Maitinimo laido kištukas turi atitikti tinklo rozetės tipą.** Kištuko jokių būdų negalima modifikuoti. **Nenaudokite jokių kištuko adapterių su žemintais prietaisais.** Originalūs kištukai, tiksliai tinkantys elektros tinklo rozetei, sumažina elektros smūgio pavojų.
- b) **Venkite kūno kontakto su žemintais paviršiais, tokiais kaip vamzdžiai, šildytuvai, viryklės ar šaldytuvai.** Egzistuoja padidinta elektros smūgio rizika, jei Jūsų kūnas bus žemintas.
- c) **Saugokite prietaisą nuo lietaus ir drėgmės.** Jei vanduo patenka į elektrinį prietaisą, padidėja elektros smūgio rizika.
- d) **Nenaudokite maitinimo laido ne pagal paskirtį, t. y. neneškite prietaiso paėmę už laido, nekabinkite prietaiso už laido, netraukite už jo, norėdami išjungti kištuką iš rozetės. Laidą klokite taip, kad jo neveiktų karštis, jis neišsitemptų alyva ir jo nepažeistų aštrios detalės ar judančios prietaiso dalys.** Pažeisti arba susipynę laidai gali tapti elektros smūgio priežastimi.
- e) **Jei su elektriniu įrankiu dirbate lauke, naudokite tik tokius ilginimo kabelius, kurie tinka lauko darbams.** Naudojant lauko darbus pritaikytus ilginimo kabelius, sumažinamas elektros smūgio pavojus.
- f) **Jei su elektriniu įrankiu neišvengiamai reikia dirbti drėgnoje aplinkoje, naudokite žemiminio grandinės pertraukiklį.** Naudojant žemiminio grandinės pertraukiklį, sumažėja elektros smūgio pavojus.

3) ŽMONIŲ SAUGA

- a) **Būkite atidūs, sutelkite dėmesį į tai, ką Jūs darote ir, dirbdami su elektriniu įrankiu, vadovaukitės sveiku protu. Nedirbkite su prietaisu, jei esate pavargę arba vartojate narkotikus, alkoholį ar medikamentus.** Akimirksnio neatidumas naudojant prietaisą gali tapti rimtų sužalojimų priežastimi.
 - b) **Naudokite asmenines apsaugos priemones ir visuomet užsidėkite apsauginius akinius.** Naudojant asmenines apsaugos priemones, pvz., respiratorių ar apsauginę kaukę, neslystančius batus, apsauginį šalną, klausos apsaugos priemones ir kt., rekomenduojamas dirbanti su tam tikros rūšies įrankiais, sumažėja rizika susižeisti.
 - c) **Saugokitės, kad neįjungtumėte prietaiso atsitiktinai. Prieš prijungdami elektrinį įrankį prie elektros tinklo ir/arba akumuliatoriaus, prieš pakeldami ar nešdami įsitikinkite, kad jis yra išjungtas.** Jeigu nešdami elektrinį įrankį pirštą laikysite ant jungiklio arba prietaisą įjungsite į elektros tinklą, kai jungiklis yra įjungtas, gali įvykti nelaimingas atsitikimas.
 - d) **Prieš įjungdami prietaisą pašalinkite reguliavimo įrankius arba veržlių raktus.** Prietaiso besisukančioje dalyje esantis įrankis ar raktas gali tapti sužalojimų priežastimi.
 - e) **Nepervertinkite savo galimybių. Dirbdami atsistokite patikimai ir visada išlaikykite pusiausvyrą.** Patikima stovėseną ir tinkama kūno laikysena leis geriau kontroliuoti prietaisą netikėtose situacijose.
 - f) **Dėvėkite tinkamą aprangą. Nedėvėkite plačių drabužių ir papuošalų. Saugokite plaukus ir drabužius nuo besisukančių elektrinio įrankio dalių.** Laisvus drabužius, papuošalus bei ilgus plaukus gali įtraukti besisukančios dalys.
 - g) **Jei yra numatyta galimybė prijungti dulkių nusiurbimo ar surinkimo įrenginius, visada įsitikinkite, ar jie yra prijungti ir ar teisingai naudojami.** Naudojant dulkių nusiurbimo įrenginius sumažėja kenksmingas dulkių poveikis.
 - h) **Dažnai naudodami įrankį ir gerai su juo susipažinę pernelyg neatsipalaiduokite ir nepradėkite nepaisyti įrankio saugos principų.** Neatidus veiksmas gali sukelti sunkią traumą per sekundę dalį.
- ### 4) RŪPESTINGA ELEKTRINIŲ ĮRANKIŲ PRIEŽIŪRA IR NAUDOJIMAS
- a) **Neperkraukite prietaiso. Naudokite Jūsų darbui tinkamą elektrinį įrankį.** Su tinkamu elektriniu įrankiu Jūs dirbsite geriau ir saugiau, jei neviršysite nurodyto galingumo.
 - b) **Nenaudokite elektrinio įrankio su sugedusiu jungikliu.** Elektrinis įrankis, kurio nebegalima įjungti ar išjungti, yra pavojingas ir jį reikia remontuoti.
 - c) **Prieš reguliuodami prietaisą, keisdami darbo įrankius ar prieš valydami prietaisą, iš elektros tinklo lizdo ištraukite kištuką ir/arba išimkite akumuliatorių, jeigu jis išimamas.** Ši saugumo priemonė apsaugos jus nuo netikėto prietaiso įsijungimo.
 - d) **Nenaudojamą prietaisą sandėliuokite vaikams ir nemokantiems juo naudotis asmenims neprieinamoje vietoje.** Elektriniai įrankiai yra pavojingi, kai juos naudoja nepatyrę asmenys.

- e) **Priziūrėkite elektrinį įrankį ir priedus. Tikrinkite, ar besisukančios prietaiso dalys tinkamai veikia ir niekur neklūva, ar nėra sulūžusių ar šiaip pažeistų dalių, kurios įtakotų prietaiso veikimą.** Prieš vėl naudojant prietaisą pažeistos prietaiso dalys turi būti suremontuotos. Daugelio nelaimingų atsitikimų priežastis yra blogai priziūrimi elektriniai įrankiai.
 - f) **Pjovimo įrankiai turi būti aštrūs ir švarūs.** Rūpestingai priziūrėti pjovimo įrankiai su aštriomis pjaunamosiomis briaunomis mažiau stringa ir juos yra lengviau valdyti.
 - g) **Elektrinį įrankį, papildomą įrangą, darbo įrankius ir t. t. naudokite taip, kaip nurodyta šioje instrukcijoje. Taip pat atsižvelkite į darbo sąlygas bei atliekamo darbo pobūdį.** Naudojant elektrinius įrankius ne pagal jų paskirtį galima sukelti pavojingas situacijas.
 - h) **Rankenos ir suėmimo paviršiai turi būti sausi, švarūs, ant jų neturi būti alyvos ir tepalų.** Dėl slidžių rankenų ir suėmimo paviršių negalėsite saugiai išlaikyti ir suvaldyti įrankio netikėtose situacijose.
- ### 5) APTARNAVIMAS
- a) **Prietaisą turi remontuoti tik kvalifikuotas specialistas ir naudoti tik originalias atsargines dalis.** Taip galima garantuoti, jog prietaisas išliks saugus.

DARBŲ SAUGOS INSTRUKCIJOS DIRBANTIEMS SU POLIRUOKLIAIS

- #### 1) BENDROSIOS ĮSPĖJAMOSIOS NUORODOS ATLIKANTIEMS POLIRAVIMO
- a) **Šį elektrinį prietaisą galima naudoti kaip poliruoklį. Griežtai laikytis visų įspėjamųjų nuorodų, taisyklių, ženklų ir užrašų, kurie yra pateikiami su šiuo prietaisu, reikalavimų.** Jei nepaisysite toliau pateiktų nuorodų, gali kilti elektros smūgio, gaisro ir/arba sunkių sužalojimų pavojus.
 - b) **Šį elektrinį prietaisą nerekomenduojama naudoti kaip šlifavimo staklių, šlifavimo su švitrininiu popieriumi ar viela bei pjovimo operacijoms.** Operacijos, kurioms nėra skirtas elektrinis instrumentas, gali būti pavojingos ir sužaloti dirbantįjį.
 - c) **Nepalikite jokių laisvų poliravimo gaubtės dalių, ypač tvirtinimo raiščių. Suvyniokite arba sutrumpinkite tvirtinimo raiščius.** Atsilaisvinę, kartu besisukantys tvirtinimo raiščiai gali apsvinnyti aplink Jūsų pirštus ar užsikabinti už ruošinio.
 - d) **Nenaudokite jokių priedų ir papildomos įrangos, kurių gamintojas nėra specialiai numatęs ir rekomendavęs šiam elektriniam prietaisui.** Vien tik tas faktas, kad Jūs galite pritvirtinti kokį nors priedą prie Jūsų elektrinio prietaiso, jokiu būdu negarantuoja, kad juo bus saugu naudotis.
 - e) **Naudojamų darbo įrankių maksimalus leistinas apsisukimų skaičius turi būti ne mažesnis, nei maksimalus sūkių skaičius, nurodytas ant elektrinio prietaiso.** Jei įrankis suksis greičiau, nei leistina, jis gali subyrėti.
 - f) **Naudojamo darbo įrankio išorinis diametras ir storis turi atitikti nurodytąsias Jūsų elektrinio prietaiso parametrus.** Netinkamų matmenų įrankius gali būti sunku tinkamai apsaugoti bei valdyti.
 - g) **Darbo įrankiai su srieginiu įdėklų turi tiksliai tikti šlifavimo suklio sriegiu. Naudojant darbo įrankius,**

- kurie tvirtinami jungė, darbo įrankio kiaurymės skersmuo turi tiksliai tiktį jungėse įtvoro skersmeniui. Darbo įrankiai, kurių negalima tiksliai pritvirtinti prie elektrinio įrankio, sukasi netolygiai, labai vibruoja ir gali tapti nebevaldomi.
- h) **Nenaudokite pažeistų darbo įrankių. Prieš kiekvieną naudojimą patikrinkite tokius įrankius, kaip abrazyviniai diskai, ar jie nėra aplūžinęję arba įtrūkę, šlifavimo žiedus - ar jie nėra įtrūkę, susidėvėję ar nudilę, vielinius šepetčius - ar jų vielutės nėra atsilaisvinę ar nutrūkę. Jei elektrinis prietaisas arba darbo įrankis nukrito iš didesnio aukščio, patikrinkite, ar jis nėra pažeistas, arba iš karto sumontuokite kitą - nepažeistą - darbo įrankį. Kuomet patikrinote ir sumontavote darbo įrankį, pasirūpinkite, kad nei Jūs, nei greta esantys asmenys nebūtų vienoje linijoje su besisukančiu darbo įrankiu, ir leiskite prietaisui vieną minutę veikti didžiausiais sukiais. Jei darbo įrankis yra pažeistas, jis turėtų per šį bandymo laiką subyrėti.**
- i) **Naudokite individualias apsaugos priemones. Ir visuomet užsidėkite veido apsaugą ar apsauginius akinius. Jei nurodyta, užsidėkite nuo dulkių saugantį respiratorių, apsaugines ausines, apsaugines pirštines arba specialią prijuostę, kuri apsaugos jus nuo smulkių šlifavimo įrankio ir ruošinio dalelių. Akys turi būti apsaugotos nuo aplinkui skraidančių svetimkūnių, atsirandančių atliekant įvairius darbus. Respiratorius turi išfiltruoti dirbant kylančias dulkes. Dėl ilgalaikio didelio triukšmo poveikio galite prarasti klausą.**
- j) **Pasirūpinkite, kad kiti asmenys būtų saugiam atstume nuo Jūsų darbo zonos. Kiekvienas, kuris įžengia į darbo zoną, turi naudoti asmenines apsaugos priemones. Ruošinio dalelės ar atskilę įrankio gabalėliai gali skrieti dideliu greičiu ir sužeisti asmenis, net ir esančius už tiesioginės darbo zonos ribų.**
- k) **Jei atliekate darbus, kurių metu darbo įrankis gali kliudyti paslėptus elektros laidus arba paties elektrinio įrankio maitinimo laidą, elektrinį įrankį laikykite tik už izoliuotų rankenų. Palietus laidą, kuriuo teka elektros srovė, metalinėse elektrinio įrankio dalyse gali atsirasti įtampa ir trenkti elektros smūgis.**
- l) **Maitinimo kabelį laikykite toliau nuo besisukančių darbo įrankių. Jei nesuvaldytumėte prietaiso, darbo įrankis gali perpjauti maitinimo kabelį arba jį įvynioti, tuomet jūsų plaštaka ar ranka gali paliesti besisukančią darbo įrankį.**
- m) **Įsijungę elektrinį prietaisą, niekuomet jo nepadėkite tol, kol darbo įrankis visiškai nesustos. Besisukantis darbo įrankis gali prisiliesti prie paviršiaus, ant kurio padedate prietaisą, ir prietaisas gali tapti nevaldomas.**
- n) **Nešdami prietaisą niekuomet jo neįjunkite. Netyčia prisilietus prie besisukančio darbo įrankio, jis gali įvynioti drabužius ir Jus sužeisti.**
- o) **Reguliariai valykite ventiliacines angas Jūsų prietaiso korpusu. Varklio ventiliatorius siurbia dulkes į korpusą, ir, susikaupus daug metalo dulkių, gali kilti elektros smūgio pavojus.**
- p) **Niekuomet nenaudokite elektrinio prietaiso arti lengvai užsidegančių medžiagų. Kylančios kibirkštys gali jas uždegti.**

q) **Nenaudokite darbo įrankių, kuriuos reikia aušinti skysčiais. Naudojant vandenį ar kitokius aušinimo skysčius gali kilti elektros smūgio pavojus.**

2) ATATRANKA IR ATITINKAMOS ĮSPĖJAMOSIOS NUORODOS

- Atatranka yra staigi reakcija, atsirandanti tuomet, kai besisukantis darbo įrankis, pvz., šlifavimo diskas, šlifavimo žiedas ar vielinis šepetys, užkliūva, įstringa ruošinyje ir dėl to netikėtai sustoja. Dėl to prietaisas gali nekontroliuojamai atšokti nuo ruošinio priešinga kryptimi darbo įrankio sukimosi kryptimi.
 - Pvz., jei šlifavimo diskas įstringa arba užsiblokuoja ruošinyje, disko kraštas, kuris yra įleistas į ruošinį, gali išlūžti arba sukelti atatranką. Šlifavimo diskas tuomet ima judėti link dirbančiojo arba nuo jo, priklausomai nuo disko sukimosi krypties blokavimo vietoje. Be to, šlifavimo diskas gali ir subyrėti.
 - Atatranka yra neteisingo elektrinio prietaiso naudojimo arba klaidos pasekmė. Jos galima išvengti, jei imsitės atitinkamų priemonių, kaip aprašyta žemiau.
- a) **Dirbdami visada tvirtai laikykite prietaisą abiem rankomis ir stenkitės išlaikyti tokią kūno ir rankų padėtį, kurioje sugebėtumėte atsispirti prietaiso pasipriešinimo jėgai atatrankos metu. Visuomet naudokite pagalbines rankenas, jei tokia yra, tuomet galėsite suvaldyti atatrankos jėgas bei reakcijos jėgų momentą. Dirbantysis gali suvaldyti atatrankos ir reakcijos jėgas, jei imsis tinkamų saugos priemonių.**
- b) **Nelaikykite rankos arti besisukančio darbo įrankio. Darbo įrankis, įvykus atatrankai, gali pajudėti link Jūsų rankos.**
- c) **Venkite, kad jūsų kūno dalys būtų toje zonoje, kurioje įvykus atatrankai juda prietaisas. Atatrankos jėga verčia prietaisą judėti nuo blokavimo vietos priešinga kryptimi darbo įrankio sukimosi kryptimi.**
- d) **Ištin atsargiai dirbkite ties kampais, aštriomis briaunomis ir t.t. Pasistenkite dirbti taip, kad įrankis neatsimuštų į kliūtis ir neįstrigtų. Besisukantis įrankis turi tendenciją kampuose, ties aštriomis briaunomis arba atsimušęs į kliūtį užstrigti. Tuomet prietaisas tampa nevaldomas arba įvyksta atatranka.**
- e) **Nenaudokite jokių grandinių ar dantytų pjovimo diskų. Tokie įrankiai dažnai sukelia atatranką ir elektrinį prietaisą gali būti sunku suvaldyti.**

PAPILDOMOS SAUGOS NUORODOS

BENDROJI DALIS

- Šį prietaisą galima naudoti tik sausam poliravimui
- Naudokite tik kartu su šiuo prietaisu tiekiamus flanšus
- Šį prietaisą turėtų naudoti tik asmenys, kuriems 16 ir daugiau metų
- Prieš reguliuojant prietaisą arba keičiant darbo įrankius, ištraukite kištuką iš el. tinklo lizdo
- Draudžiama apdirbti medžiagas, kurių sudėtyje yra asbesto (asbestos pasižymi vėžį sukeliančiu poveikiu)

PRIEDAI

- SKIL gali garantuoti nepriklaistingą prietaiso veikimą tik tuo atveju, jei naudojama tinkama papildoma įranga ir priedai, kuriuos galite įsigyti įgaliotųjų SKIL atstovų paduotuvėse
- Naudodami kitur pagamintą papildomą įrangą vadovaukitės gamintojo pateiktomis nuorodomis

- Leidžiama naudoti tik tokius įrankius, kurių maksimalus leistinas apsisukimų skaičius yra ne mažesnis, nei maksimalus Jūsų prietaiso sukčių skaičius
- Jokių būdu nenaudokite papildomos įrangos su uždaru sriegiu, kurio matmenys mažesni nei M14 x 21 mm
- Draudžiama naudoti įtrūkusius, deformuotus arba vibruojančius įrankius
- Atsargiai tvarkyti ir laikykite priedai

EKSPLOATACIJA LAUKE

- Prietaisai, su kuriais dirbama lauke, turi būti prijungiami per nuotėkio srovės apsauginį išjungiklį (FI-), kurio suveikimo srovė yra ne didesnė kaip 30 mA; naudokite tik lauko darbams skirtus prailginimo kabelius su hermetiškomis jungtimis

PRIEŠ EKSPLOATACIJĄ

- Visada patikrinkite, ar elektros tinklo įtampa sutampa su įtampos dydžiu, nurodytu prietaiso vardinėje lentelėje
- Visada sumontuokite papildomą rankeną A ② arba B ②; niekada nenaudokite instrumento be jos
- Kai kurių medžiagų, kaip antai dažų, kurių sudėtyje yra švino, kai kurių medžių rūšių medienos, mineralų ir metalo dulkės gali būti kenksmingos (kontaktas su šiomis dulkėmis arba įkvėptos dulkės gali sukelti operatoriui arba šalia esantiems žmonėms alergines reakcijas ir/arba kvėpavimo sistemos susirgimus); **mūvėkite priešdulkinę puskaukę arba dirbdami naudokite dulkių ištraukimo įrenginį, jei ji galima prijungti**
- Kai kurių rūšių dulkės priskiriamos kancerogeninėms (pvz., ažuolo arba buko medienos dulkės), ypač susimaišiusios su medienos taurinimi naudojamais priedais; **mūvėkite priešdulkinę puskaukę arba dirbdami naudokite dulkių ištraukimo įrenginį, jei ji galima prijungti**
- Vadovaukitės Jūsų šalyje taikomų direktyvų reikalavimais, skirtais medžiagoms, su kuriomis norite dirbti
- **Saugiai laikykite tvirtinamą dirbinį** (dirbinį, kuris segamas ar kalamas kabų kalimo įrankiais, saugiau laikyti spaustuvu nei ranką)
- Prietaisą draudžiama tvirtinti mašininiuose spaustuvuose
- Naudodami ilginamuosius kabelius atkreipkite dėmesį į tai, kad kabelis būtų iki galo išvyniotas ir būtų pritaikytas 16 A elektros srovei

EKSPLOATACIJA

- Darbo metu visada tvirtai laikykite prietaisą abiem rankom bei patikimai stovėkite
- Pasirūpinkite, kad maitinimo kabelis nebūtų arti besisukančių prietaiso dalių; klokite jį kuo toliau už prietaiso
- Jei dirbant bus pažeistas ar nutrauktas kabelis, būtina neliečiant kabelio tuoju pat ištraukti kištuką iš elektros tinklo lizdo
- Prietaisą su pažeistu kabeliu naudoti draudžiama; jį turi pakeisti kvalifikuotas elektrikas
- Atsiradus mechaninio ar elektrinio pobūdžio trukdžiams, tuoju pat išjunkite prietaisą ir ištraukite kištuką iš elektros tinklo lizdo
- Jei nutrūksta elektros srovės tiekimas arba netyčia ištraukiate kištuką iš elektros lizdo, atleiskite jungiklį H ② taip apsaugosite nuo galimo savaiminio išjungimo vėl atsiradus srovei

PO EKSPLOATACIJOS

- Prieš padėdami prietaisą jį išjunkite ir palaukite, kol visos besisukančiosios dalys galutinai sustos
- Išjunkite prietaisą, besisukančių darbo įrankių nestabdykite šoniniu prispaudimu

ANT PRIETAISO ESANČIŲ SIMBOLIŲ REIKŠMĖS

- ③ Prieš naudodami įrankį perskaitykite instrukcijų vadovą
- ④ Užsidėkite apsauginius akinius ir klausos apsaugos priemones
- ⑤ Dviguba izoliacija (įžeminimo laido nereikia)
- ⑥ Nemeskite prietaisus į buitinių atliekų konteinerius

NAUDOJIMAS

- Šoninių rankenų montavimas ⑦
 - ! **ištraukite kištuką iš elektros lizdo**
 - šoninę rankeną A galima prisukti dešinėje arba kairėje prietaiso pusėje (priklausomai nuo darbo pobūdžio)
 - sumontuokite papildomą rankeną B, kaip pavaizduota pav., ir priveržkite abu varžtus su šešiakampiu raktu C
- Papildomos įrangos montavimas ②
 - ! **ištraukite kištuką iš elektros lizdo**
 - prieš uždėdami papildomą įrangą nuvalykite suklij D ir visas detales, kurias montuosite
 - spausdami suklio fiksavimo mygtuką F ant suklio D priveržkite VELCRO šlifavimo padą E
 - ! **suklio fiksavimo mygtuką F spauskite tik tada, kai suklys D nesisuka**
 - vilnos gaubtą G tiesiog prispauskite prie VELCRO šlifavimo pado E
 - norėdami nuimti darbo įrankius, viską darykite atvirkštine tvarka
- Prieš pradėdami eksploatuoti prietaisą
 - įsitikinkite, kad papildoma įranga sumontuota patikimai ir tvirtai priveržta
 - patikrinkite, ar sumontuoti įrankiai laisvai sukasi, pasukdami juos ranka
 - patikrinkite prietaiso veikimą: leiskite prietaisui saugioje padėtyje bent 60 sekundžių dirbti be apkrovos didžiausiu greičiu
 - jei prietaisas smarkiai vibruoja ar pastebite kitokius defektus, tuoj pat jį išjunkite ir pasistenkite išsiaiškinti priežastį
- Įjungimas/išjungimas
 - prietaisas įjungiamas/išjungiamas nuspaudžiant/atleidžiant jungiklį H ②
- Elektroninė tolygaus įsibėgėjimo sistema
 - Patikimai leidžia pasiiekti maksimalų greitį, išvengiant staigaus prietaiso trūktelėjimo įjungimo metu
- Jungiklio fiksavimas ilgalaikiam darbui
 - nuspauskite jungiklį H
 - ryškiau nuspauskite mygtuką J
 - fiksavimą galite išjungti vėl nuspausdami jungiklį H ir jį atleisdami
- Sukčių reguliavimas ⑧
 - ratuku K galima parinkti norimą maksimalų sukčių skaičių (1-MAX)
 - pradėkite nustatę ratuką K į 1 padėtį (mažu greičiu)
 - jei reikia, instrumentui veikiant pasirinkite didesnį greitį
 - optimalus darbo greitis priklauso nuo medžiagos ir gali būti nustatytas praktiniais bandymais

- Приetaiso naudojimas
 - įjunkite prietaisą
 - visą instrumentą laikykite ant poliruojamo paviršiaus ir judėkite tolygiai
 - vienas judesys turėtų persidengti su puse ankstesnio judesio
 - nesustokite vienoje vietoje, kad nepradegintumėte paviršiaus
 - nejudinkite instrumento ratais, kad nepradegintumėte paviršiaus ar ant jo neatsirastų dėmių
- ! **prieš išjungdami prietaisą atitraukite jį nuo ruošinio**
- ! **išjungus prietaisą, įrankis dar kurį laiką sukasi**
- Prietaiso laikymas ir valdymas ⑨
 - ! **dirbdami laikykite prietaisą už pilkos spalvos suėmimo vietas(-ų)**
 - tvirtai laikykite prietaisą abiem rankomis, kad nuolat galėtumėte jį kontroliuoti
 - stovėkite tvirtai
 - ! **dirbdami neapkraukite prietaiso tiek, kad jis sustotų**
 - ventiliacines angas L ② laikykite neuždengtas

PRIEŽIŪRA / SERVISAS

- Prietaisą saugokite nuo smūgių, sutrenkimų bei tepalų
- Periodiškai valykite prietaisą ir kabelį (ypač ventiliacines angas L ②)
- ! **prieš valydami ištraukite kištuką iš elektros tinklo lizdo**
- ! **ne mėginkite valyti angų, kišdami į jas aštrius daiktus**
- Jeigu prietaisas, nepaisant gamykloje atliktamo kruopštaus gamybos ir kontrolės proceso, vis dėlto sugestų, jo remontas turi būti atliekamas įgaliotose SKIL elektrinių įrankių remonto dirbtuvėse
 - **neišardytą** prietaisą kartu su pirkimo čekiu siųskite tiekėjui arba į artimiausią SKIL firmos įgaliotą elektros prietaisų techninio aptarnavimo tarnybą (adresus bei atsarginių dalių brėžinius rasite www.skil.com)

APLINKOSAUGA

- **Nemeskite elektrinių įrankių, papildomos įrangos ir pakuočių į buitinių atliekų konteinerius** (galioja tik ES valstybėms)
 - pagal ES Direktyvą 2012/19/EG dėl naudotų elektrinių ir elektroninių prietaisų atliekų utilizavimo ir pagal vietinius valstybės įstatymus atitarnavę elektriniai įrankiai turi būti surenkami atskirai ir gabenami į antrinių žaliavų tvarkymo vietas, kur jie turi būti sunaikinami ar perdirbami aplinkai nekenksmingu būdu
 - apie tai primins simbolis ⑥, kai reikės išmesti atitarnavusį prietaisą

TRIUKŠMINGUMAS / VIBRACIJA

- Šio prietaiso triukšmingumas buvo išmatuotas pagal EN 60745 reikalavimus; keliamo triukšmo garso slėgio lygis siekia 86 dB(A) ir akustinio galingumo lygis 97 dB(A) (standartinis nuokrypis: 3 dB), ir vibracijos 8,5 m/s² (trijų krypčių atstojamasis vektorius; paklaida K = 1,5 m/s²)

- Vibracijos sklaidos lygis išmatuotas pagal standarte EN 60745 išdėstytus standartizuoto bandymo reikalavimus; ši vertė gali būti naudojama vienam įrankiui palyginti su kitu bei išankstiniam vibracijos poveikiui įvertinti, kai įrankis naudojamas paminėtais būdais
 - naudojant įrankį kitokiais būdais arba su kitokiais bei netinkamai prižiūrimais priedais, gali žymiai **padidėti** poveikio lygis
 - laikotarpiams, kai įrankis išjungtas arba yra įjungtas, tačiau juo nedirbama, gali žymiai **sumažėti** poveikio lygis
- ! **apsisaugokite nuo vibracijos poveikio prižiūredami įrankį ir jo priedus, laikydami rankas šiltai ir derindami darbo ciklus su pertraukėlėmis**

MK

Алат за полирање

9955

УПАТСТВО

- Овој алат е наменет за полирање метал, пластика и обложени површини, како и за полирање на камен без да се користи вода
- Внимателно прочитајте го и зачувајте го ова упатство за ракување ③

ТЕХНИЧКИ ПОДАТОЦИ ①

ЕЛЕМЕНТИ НА АЛАТОТ ②

- A Дополнителна рачка
- B Дополнителна рачка (тип D)
- C Хексагонален клуч
- D Осовина
- E Потпорна подлошка (VELCRO)
- F Копче за заклучување на вретеното
- G Волнена навлака
- H Прекинувач за вклучување/исклучување
- J Копче за блокирање на прекинувачот за вклучување/исклучување
- K Тркалце за контрола на максималната брзина
- L Отвори за вентилација

БЕЗБЕДНОСТ

ОПШТИ ПРЕДУПРЕДУВАЊА ЗА БЕЗБЕДНОСТ НА ЕЛЕКТРИЧНИТЕ АЛАТИ

⚠ ПРЕДУПРЕДУВАЊЕ Прочитајте ги сите безбедносни предупредувања, илустрации и спецификации дадени со овој електричен алат. Грешките настанати како резултат на непридржување до сите инструкции дадени подолу може да предизвикаат електричен удар, пожар и/или тешки повреди. Чувајте ги сите предупредувања и упатства за понатамошно упатување. Поимот “електричен алат”, кој се користи во понатамошниот текст, се однесува на вашиот електричен алат (со приклучен кабел) и на електрични алати со погон на батерии (без приклучен кабел).

1) БЕЗБЕДНОСТ НА РАБОТНОТО МЕСТО

- a) **Одржувајте го вашето работно место чисто и уредно.** Неуреден или темен работен простор може да предизвикаат незгоди.
- b) **Немојте да работите со уредот во средина во која има опасност од експлозија, во која има запаливи течности, гасови и прашина.** Електричните алати произведуваат искри кои можат да запалат прашина или пара.
- c) **За време на употребата на електричниот алат, децата и останатите лица држете ги подалену од местото наде работите.** Одвркање, би можеле да изгубите контрола врз уредот.

2) ЕЛЕКТРИЧНА СИГУРНОСТ

- a) **Утикач мора да одговара на приклучокот. Никане не смее да се прават измени на штекерот. Не користете адаптерски штекер заедно со уредот кој е заштитно заземјен.** Не променети штекери и соодветни приклучоци го намалуваат ризикот од електричен удар.
- b) **Избегнувајте допир на телото со заземјени површини, како што се цевови, радијатори, рерни и фрижидери.** Постои зголемена опасност од струен удар, доколку Вашето тело е заземјено.
- c) **Чувајте го уредот подалену од дожд и влага.** Продирањето на вода во електричниот уред ја зголемува опасноста од струен удар.
- d) **Не злоупотребувајте го приклучниот кабел за носење, бесење на уредот или за извлекување на штекерот од мрежниот приклучок. Чувајте го кабелот подалену од топлина, масло, остри рабови или деловите на апаратот кои се движат.** Оштетени или заплеткани кабли ја зголемуваат опасноста од струен удар.
- e) **Кога го употребувате полначот надвор, користете продолжен кабел кој е соодветен за употреба на отворен простор.** Примената на продолжен кабел соодветен за работа на отворен простор ја намалува опасноста од струен удар.
- f) **Доколку не може да се избегне работа со електричниот алат во влажна средина, користете прекинувач за струјна заштита при технички проблеми.** Употребата на прекинувачот за струјна заштита при технички проблеми го намалува ризикот од електричен удар.

3) БЕЗБЕДНОСТ НА ЛУЃЕ

- a) **Бидете внимателни, внимавајте што правите и постапувајте внимателно додека работите со електричниот алат. Не работете со уредот доколку сте уморни или под дејство на дрога, алкохол или лекови.** Еден момент на невнимание при употребата може да доведе до сериозни повреди.
- b) **Носете ја личната заштитна опрема и секогаш носете заштитни очила.** Носењето на личната заштитна опрема, како што е маската за прашина, безбедносната облека која не се лигза, заштитен шлем или штитник за слух, зависно од видот и примената на електричниот алат, ја намалува опасноста од повреда.
- c) **Избегнувајте невнимателно вклучување за време на работата. Осигурајте се прекинувачот да биде во “OFF” позиција пред да го ставите**

штекерот во приклучокот. Доколку го носите електричниот алат со прстот на прекинувачот или го приклучувате апаратот кој е приклучен со напојување на струја, може да предизвикаат незгоди.

- d) **Пред вклучување на уредот, тргнете ги алатите за подсување или клучот за навртување.** Алатот или клучот кој се наоѓа во вртливиот дел на уредот, може да предизвика незгода.
 - e) **Не ги преценувајте своите способности. Завземете сигурен и стабилен став и во секој момент одржувајте рамнотежа.** На тој начин можете подобро да го контролирате уредот во неочекувани ситуации.
 - f) **Носете соодветна облека. Не носете широка облека или накит. Косата и алиштата треба да бидат подалену од подвижните делови.** Широката облека, накитот или долгата коса може да се закачат за подвижните делови.
 - g) **Доколку може да се монтираат направи за вшмукување и фаќање прашина, проверете дали се вклучени и дали можат исправно да се користат.** Примената на овие направи ја намалува опасноста од прашината.
 - h) **Не дозволувајте искуството стенкато со честа употреба на алатите да ве направи спојни и да ги игнорирате безбедносните принципи при неговото користење.** Невнимателно движење може да предизвика сериозни повреди во дел од секунда.
- ## 4) ВНИМАТЕЛНА УПОТРЕБА И РАКУВАЊЕ СО ЕЛЕКТРИЧНИТЕ АЛАТИ
- a) **Не го преоптеретувајте уредот. При вашата работа користете го предвидениот електричен алат за таа употреба.** Со соодветниот електричен алат ќе работите подобро и посигурно во наведената функционална област.
 - b) **Не користете електричен алат чиј прекинувач е неисправен.** Електричниот алат кој повеќе не може да се вклучува и исклучува е опасен и мора да се поправи.
 - c) **Исклучете го електричниот алат од струја и/или извадете го комплетот со батерии, ако се одделува, пред да правите некакви прилагодувања, менувате дополнителна опрема или да го слагирате електричниот алат.** Со овие мерки на внимателност ќе се избегне невнимателното вклучување на уредот.
 - d) **Тргнете го електричниот алат кој не го користите од допирот на децата. Не допуштајте работа со уредот на лица кои не се запознаени со него или кои го немаат прочитано ова упатство.** Електричните алати се опасни доколку со нив работат неискусни лица.
 - e) **Одржувајте го електричниот алат и дополнителната опрема. Имајте контрола околу тоа дали движечките делови на уредот работат беспрекорно и дали не се заглавени, дали деловите се скршени или оштетени до таа мерка што не може да се обезбеди функционирање на уредот. Пред примената, овие оштетени делови**

треба да се поправат. Причина за многу незгоди е лошо одржуваниот електричен алат.

- f) **Алатите за сечење одржувајте ги остри и чисти.** Внимателно одржуваните алати за сечење со остри очтрици помалку ќе се заглавуваат и со нив работата ќе биде полесна.
- g) **Електричниот алат, прибор, работни алати итн., треба да ги користите според овие упатства, и на начин кој е опишан за соодветниот тип на уред. При тоа, земете ги предвид работните услови и работата која се извршува.** Употребата на електричните алати за други цели кои не се предвидени, може да предизвика опасни ситуации.
- h) **Рачките и површините за држење одржувајте ги суви, чисти и неизмастени.** Рачките и површините за држење што се лизгаат не овозможуваат безбедно ракување и контрола на алатот во неочекувани ситуации.

5) СЕРВИСАРАЊЕ

- a) **Електричниот алат сервисирајте го кај квалификувано лице кое користи само идентични резервни делови.** Со ова се обезбедува безбедно одржување на електричниот алат.

БЕЗБЕДНОСНО УПАТСТВО ЗА АЛАТОТ ЗА ПОЛИРАЊЕ

1) БЕЗБЕДНОСНИ ПРЕДУПРЕДУВАЊА ЗА ОПЕРАЦИИ СО ПОЛИРАЊЕ

- a) **Овој алат на напојување е наменет да служи за полирање. Прочитајте ги сите безбедносни предупредувања, упатства, слики и спецификации што се обезбедуваат со овој алат.** Непочитувањето на сите упатства подолу може да доведе до електричен удар, пожар и/или сериозна повреда.
 - b) **Овој алат не се препорачува за дробење, песнарење, четнање или какви било работи со сечење.** Операциите за кои не е наменет овој алат може да бидат ризични или да предизвикаат лична повреда.
 - c) **Не дозволувајте слободниот дел на навланата за полирање или некоја од приврзаните жици да се вртат слободно. Притиснете ги или исечете ги разлабавените приврзани жици.** Разлабавените приврзани жици коишто се вртат може да се заплеткаат меѓу прстите или да го удираат предметот на кој што работите.
 - d) **Не користете дополнителна опрема којашто производителот на алатот специфично не ја наменува или препорачува.** Само заради тоа што одредена дополнителна опрема може да се прикачи на алатот, тоа не значи дека ќе обезбеди безбедна работа.
 - e) **Номиналната брзина на дополнителната опрема мора ба биде барем еднаква на максималната брзина посочена на алатот.** Дополнителната опрема којашто работи побргу од номиналната брзина може да се откочи.
 - f) **Надворешниот дијаметар и дебелината на дополнителната опрема мора да бидат во рамките на капацитетот посочен на алатот.**
- Несоодветната големина на дополнителната опрема не може соодветно да се обезбедува и контролира.
- g) **Поставувањето на дополнителната опрема со протнување мора да се совпаѓа со нишката на ободот на брусилната. Кај дополнителната опрема што се поставува со крилца, целиот отвор на опремата мора да се вклопува во дијаметарот на крилцето каде што ќе се постави.** Дополнителната опрема којашто не соодветствува на елементот за поставување кај алатот нема да работи рамномерно, ќе вибрира прекумерно и може да предизвика да ја загубите контролата.
 - h) **Не користете оштетена дополнителна опрема. Проверете ја дополнителната опрема пред секоја употреба за да утврдите дали абразивните трнала содржат парчиња и пукнатини, дали потпорните подлошки имаат пукнатини, дали челичните четки имаат разлабавени или скинати жици.** Ако алатот или дополнителната опрема паднат, проверете дали се оштетиле или ставете неоштетена дополнителна опрема.. По проверката и поставувањето на дополнителната опрема, поставете се подалеку од опсегот на ротирачката дополнителна опрема, потоа вклучете го алатот на максималната брзина да работи една минута без оптоварување. Оштетената дополнителна опрема обично ќе се откочи во текот на овој период за проверка.
 - i) **Носете лична опрема за заштита. Зависно од употребата, носете заштита за лице, безбедносни очила или заштитна маска. Ако е соодветно, носете маска за прашина, заштита за уши, ранавици или престилна што имаат капацитет да ги застануваат ситните абразивни честички или остатоци од работата.** Заштитата за очи мора да овозможува застанување на разлетаните остатоци од работата при разни операции. Маската за прашина или респираторот мора да имаат капацитет за филтрирање на честички коишто се генерираат при работата. Продолжено изложување на голема бучава може да го оштети слухот.
 - j) **Стојте настрана на безбедно растојание од областа за работа. Секој што ќе пристапи до областа за работа мора да носи лична опрема за заштита.** Честичките од работата или од скршена дополнителна опрема може да одлетаат и да предизвикаат повреда подалеку од областа за работа.
 - k) **Држете го алатот само за изолираните површини за зафаќање нога извршувате работа при која што дополнителната опрема за сечење може да дојде во контакт со сокриените жици или со кабелот.** Ако дополнителната опрема за сечење дојде во контакт со жица под напон, може да ги електрифицира металните делови на алатот и да предизвика електричен удар на операторот.
 - l) **Поставете го кабелот подалеку од дополнителната опрема којашто се врти.** Ако изгубите контрола, кабелот може да се пресече или се попречи и раката или дланката може да се

- повлечат кон дополнителната опрема којашто се врти.
- m) **Никогаш не оставајте го алатот додена дополнителната опрема не се смири во целост.** Опремата којашто се врти може да се закачи за површината и да ја изгубите контролата врз алатот.
- n) **Не вклучувајте го алатот додена го носите отстрана.** Случајниот контакт со дополнителната опрема којашто се врти може да се заплетка во облеката и да го повлече алатот кон телото.
- o) **Редовно чистете ги отворите за вентилација на алатот.** Вентилаторот на моторот вовлекува прашина во кукиштето, а прекумерната акумулација на иситнет метал може да предизвика електричен удар.
- p) **Не работете со алатот близу запаливи материјали.** Искрите може да ги запалат овие материјали.
- q) **Не користете дополнителна опрема којашто бара течни разладувачи.** Употребата на вода или други течни разладувачи може да предизвикаат електричен удар или смрт.

2) ПОВРАТЕН УДАР И ПОВРЗАНИ ПРЕДУПРЕДУВАЊА

- Повратен удар е неочекувана реакција на потфатено или заглавено тркало, подлошка, четка или која било друга дополнителна опрема. Потфаќањето или заглавувањето предизвикуваат нагло попречување на вртењето што предизвикува алатот врз кој веќе немате контрола да се потисне во правец обратен од ротацијата на опремата кај точката на поврзување.
 - На пример, ако абразивното тркало се потфати или заглави со остаток од работата, работ на тркалото којшто навлегува во потфатената област може да се закопа во површината на материјалот и со тоа да предизвика тркалото да се откачи или да ве бутне. Тркалото може да отскокне кон или обратно од ракувачот, зависно од правецот на движење на тркалото во моментот на потфаќање. Абразивните тркала може и да се скршат во овие услови.
 - Повратниот удар е резултат на неправилна употреба на алатот и/или несоодветна работна постапка или услови, а може да се избегне ако ги преземете неопходните безбедносни мерки како што е посочено подолу.
- a) **Одржувајте цврст зафат на алатот и поставете ги телото и раката на тој начин со којшто ќе си овозможите да ја издржите силата на повратниот удар. Секогаш служете се со дополнителната рачка ако се доставува за максимална контрола врз повратниот удар или врз реакцијата од моментот на обрт при вклучување.** Ракувачот може да ги контролира реакциите од моментот на обрт или силата на повратниот удар ако ги преземе неопходните безбедносни мерки.
- b) **Никогаш не ставајте ја раната близу опремата којашто се врти.** Опремата може да удри повратно преку раката.
- c) **Не поставувајте го телото во областа на алатот би се придвижил ако дојде до повратен удар.** Повратниот удар ќе го потисне алатот во правец

обратен од вртењето на тркалото во моментот на потфаќање.

- d) **Обрнете особено внимание кога работите кај англи, остри рабови и слично. Избегнувајте потскокнување и потфаќање на дополнителната опрема.** Аглице, острите рабови или отскокнувањето имаат тенденција да ја потфатат дополнителната опрема којашто се врти и на тој начин да изгубите контрола или да предизвикате повратен удар.
- e) **Не ставајте сечиво за резбање на моторна пила или сечиво на пила со запци.** Таквите сечива предизвикуваат чести повратни удари и загуба на контролата.

ДОПОЛНИТЕЛНИ БЕЗБЕДНОСНИ ПРЕДУПРЕДУВАЊА

ОПШТИ

- Користете го овој алат само за полирање
- Користете ги исклучиво рабовите кои сте ги добиле со овој алат
- Овој алат не треба да го користат лица под 16 години
- **Обезбедете се алатот да е исклучен од струја пред да вршите било какво подесување или замена на приборот**
- **Не обработувајте никанов материјал кој содржи азбест** (азбестот важи за предизвикувач на рак)

ПРИБОР

- SKIL може да признае гаранција само доколку е користен соодветен прибор кој може да се набаво во сите SKIL продавници
- За поставување и користење на приборите кои не се SKIL погледнете го упатството на производителот
- Користете само прибор чија дозволена брзина е во најмала рака еднаква на најголемата брзина при празен од на електричниот алат
- Никогаш не користете прибор со отвор на “слепи” навивши помали од M14 x 21mm
- Не користете оштетена, деформирана или опрема којашто вибрира
- Внимателно ракувајте и чувајте приборот

КОРИСТЕЊЕ НА ОТВОРЕНО

- Кога го користите на отворено, поврзете го алатот преку осигурувач за струја (FI) за погрешно напојување во струја за прекинување со максимум 30 mA и користете продолжен кабел којшто е наменет за употреба на отворено и опремен со водоотпорен приклучок

ПРЕД УПОТРЕБА

- Секогаш проверувајте напонот да е ист со оној кој е назначен на плочката на алатот
- Секогаш поставувајте ја дополнителната рачка А ② или В ②; никогаш не користете го алатот без неа
- Прашината од материјали како боја која содржи олово, некои видови дрво, минерали и метали, може да биде штетна за здравјето (контактот со пращината или нејзиното вдишување може да шредизвика алергии и/или болести на дишните органи за оној кој работи со алатот или луѓето во близина); **носете маска за прашина и работете со правосмукалки доколку можете да ги поврзете**
- Некои видови на прашина се канцерогени (како на пример пращината од даб или бука), особено заедно

со адитиви за одржување на дрвото; носете масна за прашина и работете со правосмудналки доколку можете да ги поврзете

- Следете ги процедурите на вашата земја за прашина која е јавува како резултат од материјалите со кои работите
- **Зацврстете го материјалот кој го обработувате** (обработка која е зацврстена со стеги или во менгеме е побезбедна отколку да ја држите со раце)
- Немојте да го прицврстувате електричниот алат во менгеме
- Продолжениот кабел кој го користите, мора да биде сосема одмотан и безбеден, со капацитет од 16 А

ВО ТЕКОТ НА УПОТРЕБАТА

- Кога работите, цврсто држете го алатот со двете раце и заземете безбеден став
- Кабелот сепкогаш држете го подалеку од деловите на алатот кои се движат; кабелот држете го на задната страна, на страна од алатот
- Ако кабелот се оштети или пресече за време на работата, веднаш исклучете го и не го допирајте
- Никогаш не користете алат ако кабелот е оштетен; замената на кабелот мора да ја изврши стручно лице
- Во случај да дојде до електричен или механички дфент, веднаш исклучете го алатот и исклучете го од приклучокот
- Доколку дојде до прекин на струја или случајно откачување на приклучокот, отпуштете го прекинувачот Н ② за да попречите неконтролирано повторно подвижување

ПО УПОТРЕБА

- Исклучете го моторот пред да го спуштите алатот и проверете дали сите подвижни делови се комплетно застанати
- По исклучувањето на електричниот алат, никогаш не го запирајте вртењето на приборот со користење на странична сила

ОБЈАСНУВАЊЕ ЗА СИМБОЛИТЕ ЗА АЛАТОТ

- ③ Пред употреба прочитајте го прирачникот за употреба
- ④ Носете заштитни очила и заштита за ушите
- ⑤ Двојна изолација (не е потребна заземна жица)
- ⑥ Не фрлајте го алатот заедно со другиот отпад од домаќинството

УПОТРЕБА

- Поставување на дополнителните рачки ⑦
! извлечете го приклучокот ано кабелот
 - зашрафете ја дополнителната рачка А оддесно или одлево на алатот (зависно од работата што треба да се заврши)
 - поставете ја дополнителната рачка В како што е прикажано на сликата и затегнете ги двата шрафа со доставениот клуч С
- Поставување на приборот ②
! извлечете го приклучокот ано кабелот
 - исчистете го вретеното D и сите делови што ќе ги поставите
 - зашрафете ја подлошката од ВЕЛКРО-материјал Е на осовината D со притискање на копчето за заклучување на оската F

! притиснајте го копчето за заклучување на осовината F само кога осовината D е целосно застаната

- едноставно притиснете ја волнената навлака G на потпорната подлошка од ВЕЛКРО E
- за отстранување на прибор се справи обратно
- Пред користење на електричниот алат
 - проверете дали е приборот исправно поставен и силно прицврстен
 - проверете дали приборот може да се помести, така што рачно ќе го стартувате
 - пробно вклучете го алатот најмалку 60 секунди на најголема брзина во празен од и во сигурна положба
 - веднаш престанете со работата доколку дојде до поголеми вибрирања или други неправилности во работата и прегледајте го алатот, за да ја одредите причината
- Вклучено/Исклучено
 - алатот вклучете/исклучете го со повлекување/ пуштање на прекинувачот Н ②
- Електронско меко вклучување
Обезбедува внимателно постигнување максимална брзина без неочекувано влијание кога ќе се вклучи алатот
- Блокирање на прекинувачот за постојана употреба
 - повлечете го прекинувачот Н
 - притиснете го копчето J со палецот
 - отклучете го прекинувачот со повторно повлекување на прекинувачот Н и отпуштање
- Контрола на брзината ③
 - Со тркалото K максималната брзина може да се приспособи од ниска до висока (1-MAX)
 - започнете со тркалото K во позиција 1 (најмала брзина)
 - ако е потребно, изберете поголема брзина додека работи тркалото
 - оптималната работна брзина зависи од материјалот и може да се одреди преку практични проби
- Работа со алатот
 - вклучете го алатот
 - поставете го алатот целосно врз површината којашто треба да се полира и движете рамномерно по делови
 - едното движење треба да го преклопи претходното за една половина
 - не застанувајте на една точка за да избегнете горење на подлогата
 - не движете го алатот во кругови за да избегнете дамки или горење на подлогата
 - ! уредот треба да се подигне од работната површина пред тој да биде исклучен**
 - ! приборот се врти уште некое време по исклучувањето на електричниот алат**
- Држење и насочување на алатот ⑨
 - ! додека работите, сепкогаш држете го алатот за местото (местата) кое (кои) се означени со сива боја**
 - електричниот алат сепкогаш држете го силно со двете раце, за да можете во секој момент да имате целосна контрола врз него

- секогаш бидете во сигурна положба
- ! **не применувајте премногу сила врз алатот со што ќе предизвикате комплетно застанување**
- отворите за ладење L ② држете ги отворени

ОДРЖУВАЊЕ/СЕРВИСИРАЊЕ

- Заштитете го алатот од удари, потреси и масти
- Алатот и кабелот секогаш да се одржуваат чисти (особено отворите за ладење L ②)
- ! **пред чистење извадете го алатот од приклучокот**
- ! **не обидувајте се да ги чистите отворите за вентилација со вметнување на остри предмети низ отворите**
- Доколку алатот и покрај внимателното работење и контрола некогаш откаже, поправката мора да ја изврши некој овластен SKIL сервис за електрични алати
- во случај на примедба, испратете го алатот **нерасклопен**, заедно со сметкопотврдата, до вашиот продавач или најблискиот SKIL сервис (адресите се наведени на www.skil.com)

ЗАШТИТА НА ЖИВОТНАТА СРЕДИНА

- **Не се ослободувајте од елентични алати, уреди или амбалажа преку нивно фрлање во домашното губре** (само за земјите на ЕУ)
- според Европската Директива 2012/19/ЕС за ослободување од електрична и електронска опрема и нејзина имплементација во согласност со националните закони, електричните алати кои го достигнале крајот на својот животен век мора да бидат собрани посебно и да бидат вратени во соодветен објект за рециклирање
- симболот ⑥ ќе ве потсетува на ова кога ќе дојде време алатот да го фрлите

БУЧАВА / ВИБРАЦИИ

- Мерено во согласност со EN 60745 нивото на звучен притисок е 86 dB(A) а нивото на звучна моќност 97 dB(A) (стандардно отстапување: 3 dB), и вибрација 8,5 m/c² (векторски збир на трите показатели; несигурност K = 1.5 m/c²)
- Нивото на емитурање на вибрации кое е наведено на задниот дел на ова упатство е измерено во согласност со стандардизираниот тест даден во EN 60745; може да се користи за да се спореди еден алат со друг, и како првична оценка за изложеноста на вибрации кога се користи алатот за споменатите примени
- користењето на алатот за разни примени, или со различни или неправилно чувани делови, може да доведе до значајно **зголемување** на нивото на изложеност
- кога алатот е исклучен или кога алатот е вклучен но не врши некаква работа, може да дојде до значително **намалување** на нивото а изложеност
- ! **заштитете се од ефектите на вибрациите преку одржување на алатот и неговите**

делови, одржување на топлината во вашите раце, и организирање на вашата работа

AL

Пајсја лѐмуесе

9955

HJRJE

- Kjo vegël është e projektuar për lëmimin e sipërfaqeve metalike, plastike dhe të veshura si dhe për lëmimin e materialeve prej guri pa përdorimin e ujit
- Lexoni dhe ruani këtë manual të përdorimit ③

TË DHËNAT TEKNIKE ①

ELEMENTET E VEGËL ②

- A Doreza ndihmëse
- B Doreza ndihmëse (Iloji D)
- C Çelësi heksagonal
- D Boshti rrotullues
- E Fleta mbështetëse (VELCRO)
- F Butoni i bllokimit të boshtit
- G Mbulesa prej leshi
- H Çelësi i ndezjes/fikjes
- J Kapësja për bllokimin e çelësit të ndezjes/fikjes
- K Rrota për kontrollin e shpejtësisë maksimale
- L Të çarat e ajrosjes

SIGURIA

PARALAJMËRIME TË PËRGJITHSHME TË SIGURISË PËR PAJISJET ELEKTRIKE

⚠ PARALAJMËRIM Lexoni të gjitha paralajmërimet e sigurisë, udhëzimet, ilustrimet dhe specifikimet e paraqitura me këtë vegël pune. Mosrespektimi i të gjitha udhëzimeve të renditura më poshtë mund të rezultojë në goditje elektrike, zjarr dhe/ose dëmtime të rënda. **Ruani të gjitha paralajmërimet dhe udhëzimet për referencë në të ardhmen.** Termi “pajisje elektrike” në paralajmërimet i referohet pajisjes elektrike që përdoret nga prizat (me kablo) ose pajisjes elektrike me bateri (pa kablo).

1) SIGURIA E ZONËS SË PUNËS

- a) **Mbajeni zonën e punës të pastër dhe të ndriçuar mirë.** Zonat e çrregullta ose të errëta janë një ftesë për aksidente.
- b) **Mos i përdorni pajisjet elektrike në situata me mundësi shpërthimi, si në prani të lëngjeve, gazeve ose pluhurave të djegshëm.** Pajisjet elektrike shkaktojnë shkëndija që mund të ndezin pluhurat ose avujt.
- c) **Mbajini fëmijët dhe personat e tjerë larg gjatë përdorimit të veglës së punës.** Tërheqja e vëmendjes mund të shkaktojë humbjen e kontrollit.

2) SIGURIA ELEKTRIKE

- a) **Spinat e veglës së punës duhet të përputhen me prizën.** Mos modifikoni kurrë spinën në asnjë mënyrë. Mos përdorni asnjë spinë përshtatëse me veglat e punës me tokëzim. Spinat e pamodifikuara

- dhe prizat përshtatëse do të zvogëlojnë rrezikun e goditjes elektrike.
- b) **Shmangni kontaktin trupor me sipërfaqe të tokëzuara si tuba, radiatorë, soba dhe frigoriferë.** Ka një rrezik më të madh të goditjeve elektrike nëse trupi është i tokëzuar.
 - c) **Mos ekspozoni veglat e punës në shi ose në kushte me lagështi.** Uji që hyn në veglën e punës do të rritë rrezikun e goditjes elektrike.
 - d) **Mos abuzoni me kordonin. Mos e përdorni kurrë kordonin për transportin, tërheqjen ose heqjen e spinës së veglës së punës. Mbajeni kordonin larg nga nxehtësia, vaji, anët e mprehta ose pjesët që lëvizin.** Kordonët e dëmtuar ose e bllokuar trisin rrezikun e goditjes elektrike.
 - e) **Kur përdorni një vegël pune në mjedise të jashtme, përdorni një kordon zgjatues të përshtatshëm për përdorim në mjedise të jashtme.** Përdorimi i një kordoni të përshtatshëm për përdorime në mjedise të jashtme zvogëlon rrezikun e goditjes elektrike.
 - f) **Nëse përdorimi i veglës së punës në një vend me lagështi është i pashmangshëm, përdorni një automat qarku me shkarkesë me tokëzim.** Përdorimi i një automati me shkarkesë me tokëzim zvogëlon rrezikun e goditjes elektrike.
- 3) SIGURIA PERSONALE**
- a) **Qëndroni në gatishmëri, shikoni se çfarë po bëni dhe përdorni gjykimin kur përdorni një vegël pune. Mos e përdorni një vegël pune kur jeni i lodhur ose nën ndikimin e ilaçeve, alkoolit ose mjekimit.** Një moment humbje e vëmendjes gjatë përdorimit të veglave të punës mund të shkaktojë dëmtime të rënda personale.
 - b) **Përdorni pajisje personale mbrojtëse. Mbani gjithmonë pajisje për mbrojtjen e syve.** Pajisjet mbrojtëse si maska kundër pluhurit, këpucët që nuk rrëshqasin, kaskat ose pajisjet për mbrojtjen e veshëve për kushtet përkatëse do të zvogëlojnë dëmtimet personale.
 - c) **Parandaloni ndezjen e rastësishme. Sigurohuni që çelësi është në pozicionin fikur para se të lidhni burimin e energjisë dhe/ose baterinë, para se të merrni ose të transportoni pajisjen.** Transportimi i veglave të punës me gishtin në çelës ose aktivizimi i veglave të punës që kanë çelësin të ndezur është një ftesë për aksidente.
 - d) **Hiqni çdo çelës ose çelës përshtatës para ndezjes së veglës së punës.** Një çelës i lënë i lidhur me një pjesë rrotulluese të veglës së punës mund të shkaktojë dëmtime personale.
 - e) **Mos u zgjasi. Mbani një vendosje të mirë të këmbëve dhe një ekuilibër të mirë në çdo moment.** Kjo gjë bën të mundur një kontroll më të mirë të veglës së punës në situata të papritura.
 - f) **Vishuni në mënyrën e duhur. Mos vishni veshje të gjera ose bizhuteri. Mbani flokët, veshjet dhe dorashkat larg nga pjesët lëvizëse.** Veshjet e gjera, bizhuteritë ose flokët e gjatë mund të kapen nga pjesët në lëvizje.
 - g) **Nëse janë ofruar pajisje për lidhjen e pajisjeve të mbledhjes dhe nxjerrjes së pluhurave, sigurohuni që ato të jenë të lidhura dhe të përdoren si duhet.**

- Përdorimi i mbledhjes së pluhurave mund të zvogëlojë rreziket në lidhje me pluhurat.
- h) **Mos lejoni që familjarizimi i fituar nga përdorimi i shpeshtë i veglave t'ju lejojë të tregoheni të vetëkënaqur dhe të shpërfillni parimet e sigurisë për pajisjet.** Një veprim i pakujdesshëm mund të shkaktojë dëmtime të rënda në më pak se një sekondë.
- 4) PËRDORIMI DHE KUJDESI PËR VEGLËN E PUNËS**
- a) **Mos ushtroni forcë mbi veglën e punës. Përdorni veglën e punës të duhur për përdorimin tuaj.** Vegla e punës e duhur do të realizojë një punë më të mirë dhe më të sigurt dhe me shpejtësinë që ajo është e projektuar.
 - b) **Mos përdorni veglën e punës nëse çelësi nuk e ndez apo e fik.** Çdo vegël pune që nuk mund të kontrollohet me anë të çelësit është e rrezikshme dhe duhet të riparohet.
 - c) **Shkëputni spinën nga burimi i energjisë dhe/ose baterinë nga vegla e punës para se të bëni rregullime të tjera, të ndryshoni aksesorët ose të ruani veglat e punës.** Këto masa parandaluese të sigurisë ulin rrezikun e ndezjes aksidentale të veglës së punës.
 - d) **Mbani veglat e punës larg fëmijëve dhe mos lejoni personat e pamësuar me veglën e punës ose këto udhëzime për përdorimin e pajisjes.** Veglat e punës janë të rrezikshme në duart e përdoruesve të patrajnuar.
 - e) **Mirëmbani veglat e punës. Kontrolloni për mospërshtatje ose bllokim të pjesëve lëvizëse, thyerje të pjesëve dhe gjendje të tjera që mund të ndikojnë në funksionimin e veglës së punës.** Nëse dëmtohet, riparoheni veglën e punës para përdorimit. Shumë aksidente shkaktohen nga veglat e punës jo të mirëmbajtura si duhet.
 - f) **Mbajini pajisjet prerëse të pastra dhe të mprehta.** Pajisjet e prerjes të mirëmbajtura dhe me anë të mprehta kanë më pak mundësi për t'u bllokuar dhe janë më të lehta për t'u kontrolluar.
 - g) **Përdorni veglat e punës, aksesorët dhe puntot, etj. në përputhje me këto udhëzime, duke marrë parasysh kushtet e punës dhe punën që do të kryhet.** Përdorimi i veglave për përdorime të ndryshme nga ato të përcaktuara mund të shkaktojë rreziqe.
 - h) **Mbajini dorezat dhe sipërfaqet ku mbaheni të thata, të pastra dhe pa vajra ose graso.** Dorezat dhe sipërfaqet ku mbaheni, kur janë të rrëshqitshme, nuk ju lejojnë ta menaxhoni dhe ta kontrolloni në mënyrë të sigurt pajisjen në situata të papritura.
- 5) SHËRBIMI**
- a) **Shërbimi i veglës së punës duhet të kryhet nga një person i kualifikuar për riparimet duke përdorur vetëm pjesë ndërrimi identike.** Kjo gjë do të sigurojë ruajtjen e sigurisë së veglave të punës.

UDHËZIMET E SIGURISË PËR PAJISJET LËMUERE

1) PARALAJMËRIMET E SIGURISË TË ZAKONSHME PËR VEPRIMET E SHKËLQIMIT

- a) **Kjo vegël pune është prodhuar për t'u përdorur si pajisje lëmuere. Lexoni të gjitha paralajmërimet e sigurisë, udhëzimet, ilustrimet dhe specifikimet të dhëna me këtë vegël pune.** Mosrespektimi i të gjitha

- udhëzimeve më poshtë mund të rezultojnë në goditje elektrike, zjarr dhe/ose dëmtime të rënda.
- b) **Kjo vegël pune nuk rekomandohet për mprehje, smerilim, fërkimin me tel ose për veprimet prerëse.** Veprimet për të cilat nuk është i përcaktuar përdorimi i kësaj vegle, mund të shkaktojnë një rrezik dhe të shkaktojnë lëndime personale.
 - c) **Mos lejoji që pjesët e liruar të mbulesës lëmuese ose të spangove të lidhjes të rrotullohen lirisht. Largoni ose prisni çdo spango të lirshme të lidhjes.** Spangot e lidhjes që janë të liruar dhe që rrotullohen, mund të ngatërrohen me gishtat ose të ngecin në materialin e punës.
 - d) **Mos përdorni aksesore që nuk janë të projektuar dhe të rekomanduar në mënyrë specifike nga prodhuesi i pajisjes.** Vetëm fakti se aksesori mund të lidhet me veglën e punës nuk garanton një përdorim të sigurt.
 - e) **Shpejtësia nominale e aksesorit duhet të jetë të paktën e barabartë me shpejtësinë maksimale në veglën e punës.** Aksesorët që punojnë më shpejt se shpejtësia e tyre nominale mund të shkëputen e të fluturojnë.
 - f) **Diametri i jashtëm dhe trashësia e aksesorit tuaj duhet të jetë brenda vlerës së kapacitetit të veglës së punës.** Aksesorët me madhësi të gabuara nuk mund të ruhen ose të kontrollohen si duhet.
 - g) **Montimi me filetim i aksesorëve duhet të përputhet me filetimin e boshtit të pajisjes mprehëse. Për aksesorët që montohen me filanxha, vrima e boshtit kryesor të aksesorit duhet të përputhet me diametrin e vendosjes së filanxhës.** Aksesorët që nuk përputhen me mekanizmin e montimit të veglës së punës do të humbin ekuilibrin, do të dridhen më shumë se sa duhet dhe mund të shkaktojnë humbje të kontrollit.
 - h) **Mos përdorni një aksesore të dëmtuar. Para çdo përdorimi, kontrolloni aksesorët si rrotat gërryese për krisje ose ciflosje, fletët mbështetëse për krisje, çarja ose konsum të tepërt, furçat e telit për tela të liruar ose të thyer. Nëse vegla e punës ose aksesori ju bie, kontrollojeni për dëmtime ose montoni një aksesore të padëmtuar. Pasi të kontrolloni dhe të montoni një aksesore, qëndroni dhe vendosni personat e tjerë larg nga plani i aksesorit rrotullues dhe përdoren veglën e punës me shpejtësi maksimale pa ngarkesë për një minutë.** Aksesorët e dëmtuar normalisht do të thyhen gjatë kësaj kohe prove.
 - i) **Përdorni pajisje personale mbrojtëse. Në varësi të punës, përdorni mbrojtëse për fytyrën, syze ose maska sigurie. Sipas nevojës, mbani maska për pluhurat, mbrojtëse për dëgjimin, doreza dhe përparës pune që mund të ndalojnë fragmentet e vogla gërryese ose të materialit të punës.** Mbrojtëset e syve duhet të arrijnë të ndalojnë copëzat që fluturojnë të krijuara nga përdorimet e ndryshme. Maska e pluhurave ose respiratori duhet të arrijnë të filtrojnë grimcat e krijuara nga veprimi juaj. Ekspozimi i gjatë ndaj zhurmave me intensitet të lartë mund të shkaktojë humbje të dëgjimit.
 - j) **Mbajini personat e tjerë larg në një distancë të sigurt nga zona e punës. Çdo person që hyn në zonën e punës duhet të veshë pajisje personale**
- mbrojtëse.** Fragmentet e materialit të punës ose të një aksesorit të thyer mund të fluturojnë dhe të shkaktojnë lëndime jashtë zonës direkte të punës.
- k) **Mbajeni veglën e punës nga sipërfaqet e izoluar të kapjes, kur kryeni një veprim ku aksesori i prerjes mund të bjerë në kontakt me tela të fshehur ose kordonin e saj.** Kontakti i aksesorit të prerjes me një tel elektrik do të bëjë që pjesët metalike të ekspozuara të veglës së punës të përcjellin energjinë elektrike dhe të shkaktojnë goditjen e operatorit.
 - l) **Vendoseni kordonin larg aksesorit rrotullues.** Nëse humbni kontrollin, kordoni mund të pritret ose të ngecë dhe dora ose krahu juaj mund të tërhiqet në aksesorin rrotullues.
 - m) **Mos e lini kurrë poshtë veglën e punës deri sa aksesori të ndalojë plotësisht.** Aksesorit rrotullues mund të kapet në sipërfaqe dhe të bëjë që vegla e punës të dalë nga kontrolli.
 - n) **Mos e aktivizoni veglën e punës kur e transportoni ose e mbani në krah.** Kontakti aksidental me aksesorin rrotullues mund të shkaktojë ngecjen në robra, duke e tërhequr aksesorin drejt trupit.
 - o) **Pastroni rregullisht vrimat e ajrimit të veglës së punës.** Ventilatori i motorit tërheq pluhurat në kasë dhe grumbullimi i tepërt i metaleve në formë pluhuri mund të shkaktojë rrezik nga elektriciteti.
 - p) **Mos e përdorni veglën e punës afër materialeve të djegshme.** Shkëndijat mund t'i ndezin materialet.
 - q) **Mos përdorni aksesore që kërkohen ftohës të lëngshëm.** Përdorimi i ujit ose ftohësve të tjerë të lëngshëm mund të shkaktojë goditje ose shkarkesë elektrike.
- ## 2) GODITJA E KTHIMIT DHE PARALAJMËRIMET PËRKATËSE
- Goditja e kthimit është një reagim i papritur i një rrote rrotulluese, flete mbështetëse, furçe ose aksesore tjetër të kapur ose të ngecur. Ngecja ose bllokimi shkakton ndalimin e menjëhershëm të aksesorit rrotullues i cili më pas bën që vegla e punës jashtë kontrollit të lëvizë në drejtimin e kundërt të rrotullimit të aksesorit në pikën e bllokimit.
 - Për shembull, nëse një rrotë gërryese ngec ose kapet te materiali, ana e rrotës që futet në pikën e bllokimit mund të ngulet në sipërfaqen e materialit duke bërë që rrota të rrihet ose të goditet. Rrota mund të kërcëjë drejt ose larg nga përdoruesi, në varësi të drejtimin të lëvizjes së rrotës në pikën e bllokimit. Rrotat gërryese mund të thyhen gjithashtu në këto kushte.
 - Goditja e kthimit është rezultat i keqpërdorimit të veglës së punës dhe/ose procedurave ose kushteve të papërshtatshme të funksionimit dhe mund të shmanget duke ndërmarrë masat paraprake të duhura si më poshtë.
- a) **Mbajeni mirë veglën e punës dhe pozicioni trupin dhe krahun në mënyrë të tillë që t'i përballojnë forcat e goditjes së kthimit. Përdorni gjithmonë një dorezë ndihmëse, nëse ka, për një kontroll maksimal mbi goditjen e kthimit ose reagimin ndaj rrotullimit gjatë ndezjes.** Përdoruesi mund të kontrollojë reagimet e forcës rrotulluese ose forcat e goditjes së kthimit nëse merren masat e duhura.

- b) **Mos vendosni kurrë dorën afër aksesorit rrotullues.** Aksesori mund të shkaktojë goditjen e kthimit mbi dorë.
- c) **Mos u poziciononi në zonën ku mund të lëvizë vvegla e punës nëse ndodh goditja e kthimit.** Goditja e kthimit do ta lëvizë veglën në drejtimin e kundërt me lëvizjen e rrotës në pikën e bllokimit.
- d) **Kini shumë kujdes kur punoni me cepat, anë të mprehta, etj. Shmangni kërcimin ose ngecjen e aksesorit.** Cepat, anët e mprehta ose kërcimet kanë tendencën që të bllokojnë aksesorin rrotullues dhe të shkaktojnë humbjen e kontrollit ose goditjen e kthimit.
- e) **Mos lidhni një thikë druri të zinxhirit të sharrës ose një thikë sharre me dhëmbë.** Thika të tilla shkaktojnë shpesh goditje kthimi dhe humbje kontrolli.

PARALAJMËRIMET SHITESË PËR SIGURINË

TË PËRGJITHSHME

- Përdoreni këtë vegël vetë për lëminë në të thatë
- Përdorni vetëm fllanxhat që shoqërojnë këtë vegël
- Kjo pajisje nuk duhet të përdoret nga personat nën moshën 16 vjeç
- **Shkëputni gjithmonë spinën nga burimi i energjisë para kryerjes së rregullimeve ose ndryshimeve të aksesoreve**
- **Mos punoni me materiale që përmbajnë asbest** (asbesti konsiderohet kancerogjen)

AKSESORËT

- SKIL mund të garantojë funksionimin pa probleme të veglës vetëm kur përdoren aksesorët e duhur që mund të merren nga shitësi i SKIL
- Për montimin/përdorimin e aksesoreve jo nga SKIL, ndiqni udhëzimet e prodhuesit përkatës
- Përdorni vetëm aksesorë me një shpejtësi të lejuar që përshatet të paktën me shpejtësinë më të lartë pa ngarkesë të pajisjes
- Mos përdorni kurrë aksesorë më një vrimë me fileto "të mbyllur" më të vogël se M14 x 21 mm
- Mos përdorni aksesorë të dëmtuar, të deformuar ose që dridhen
- Mbani dhe ruajini me kujdes aksesorët

PËRDORIMI NË AMBIENTE TË JASHTME

- Kur e përdorni në ambiente të jashtme, lidhni pajisjen me një automat të korrentit të defektit (FI) me rrymë aktivizuese maksimumi 30 mA, dhe përdorni vetëm një kordon zgjatues të projektuar për përdorim në ambiente të jashtme me një prizë kundër ujit

PARA PËRDORIMIT

- Kontrolloni gjithmonë që voltazhi i energjisë është i njëjtë me voltazhin e treguar në etiketën e veglës
- Montoni gjithmonë dorezën ndihmëse A ② ose B ②; mos e përdorni kurrë veglën pa të
- Pluhurat nga materialet si boja me plumb, disa lloje drurësh, mineralesh dhe metalesh mund të jenë të dëmshme (kontakti ose thithja e pluhurave mund të shkaktojë reagime alergjike dhe/ose sëmundje respiratore për përdoruesin ose personat përreth); **mbani një maskë për pluhurat dhe punoni me një pajisje për heqjen e pluhurave kur mund të lidhet**
- Disa lloje pluhurash skanë klasifikuar si kancerogjene (si pluhuri i lisit dhe i ahut) veçanërisht në ndërthurje me lëndët shtesë për kondicionimin e drurit; **mbani një**

maskë për pluhurat dhe punoni me një pajisje për heqjen e pluhurave kur mund të lidhet

- Respektoni kërkesat kombëtare në lidhje me pluhurat për materialet me të cilat dëshironi të punoni
- **Siguroni materialin e punës** (një material i shtrënguar me një pajisje shtrëngimi ose morskë mbahet në mënyrë më të sigurt se sa me dorë)
- Mos e shtrëngoni veglën në një morskë
- Përdorni kordonë të pahapur dhe të sigurt për zgjatime, me një kapacitet 16 amper

GJATË PËRDORIMIT

- Kur punoni, mbajeni gjithmonë veglën mirë me të dyja duart dhe mbani një qëndrim të sigurt
- Mbajeni gjithmonë kordonin larg nga pjesët e lëvizshme të veglës; drejtojeni kordonin në anën e pasme, larg nga vegla
- Nëse kordoni dëmtohet ose pritet gjatë punës, mos e prekni kordonin por hiqni menjëherë spinën
- Mos e përdorni kurrë veglën kur kordoni është i dëmtuar; zëvendësojeni nga një person i kualifikuar
- Në rast të një defekti elektrik ose mekanik, fikni menjëherë pajisjen dhe hiqni spinën
- Në rast të ndërprerjes së energjisë ose kur hiqet aksidentalisht spina, lëshoni çelësin H ② për të parandaluar rindezjen e pakontrolluar

PAS PËRDORIMIT

- Para se ta ulni pajisjen, fikeni motorin dhe sigurohuni që të gjitha pjesët lëvizëse të kenë ndaluar plotësisht
- Pas fikjes së veglës, mos e ndaloni kurrë rrotullimin e aksesorit duke ushtruar një forcë anësore

SHPJEGIMI I SIMBOLEVE NË VEGËL

- ③ Lexoni manualin e udhëzimeve para përdorimit
- ④ Mbani syze mbrojtëse dhe pajisje mbrojtëse për dëgjimin
- ⑤ Zolzim i dyfishtë (nuk kërkohet tokëzim)
- ⑥ Mos e hidhni veglën bashkë me materialet e mbetjeve familjare

PËRDORIMI

- Montimi i dorezave ndihmëse ⑦
 - ! **hiqni spinën**
 - vidhosni dorezën ndihmëse A në të djathtë ose në të majtë të veglës (në varësi të punës që do të kryhet)
 - montoni dorezën ndihmëse B si në ilustrim dhe shtrëngoni të dyja vidat e përfshira me çelësin heksagonal C
- Montimi i aksesoreve ②
 - ! **hiqni spinën**
 - pastroni boshtin kryesor D dhe të gjitha pjesët që do të montohen
 - vidhosni fletën mbështetëse VELCRO E në boshtin kryesor D ndërsa shtypni butonin e bllokimit të boshtit F
 - ! **shtypni butonin e bllokimit të boshtit rrotullues F vetëm kur boshti D të jetë e palëvizshme**
 - thjesht shtypni kapakun e lehtë G në mbështetësen VELCRO E
 - për heqjen e aksesoreve të trajtojë anasjelltas
- Para përdorimit të veglës
 - sigurohuni që aksesori të jetë i montuar si duhet dhe të jetë i shtrënguar mirë
 - kontrolloni nëse aksesori lëviz lirshëm duke e rrotulluar me dorë

- ndizeni veglën për provë për të paktën 60 sekonda me shpejtësinë më të lartë pa ngarkesë në një pozicion të sigurt
- ndalojeni menjëherë në rast të dridhjeve të shumta ose defekteve të tjera dhe kontrolloni veglën për të përcaktuar shkakun
- Ndezje/Fikje
 - ndizeni/fikeni pajisjen duke tërhequr/lëshuar çelësin H ②
- Ndezja e butë elektronike
Siguron arritjen e shpejtësisë maksimale me qetësi pa goditje të papritur kur ndizet vegla
- Bllokimi i çelësit për përdorim në vazhdim
 - tërhiqni çelësin H
 - shtypni kapësen J me gishtin e madh
 - zhblokoni çelësin duke tërhequr përsëri çelësin H dhe më pas lëshojni atë
- Kontrolli i shpejtësisë ③
 - me anë të rrotës K shpejtësia maksimale mund të ndryshohet nga e ulët në e lartë (1-MAX)
 - filloni me rrotën K në pozicionin 1 (shpejtësia e ulët)
 - nëse duhet, zgjidhni një shpejtësi më të lartë kur vegla është në punë
 - shpejtësia optimale e punës varet nga materiali dhe mund të përcaktohet me prova praktike
- Funksionimi i veglës
 - ndizni veglën
 - vendoseni të gjithë veglën mbi sipërfaqen e lustrimit dhe lëvizini njëtrajtësisht sipas seksioneve
 - një lëvizje duhet të mbivendoset te lëvizja e mëparshme me një e gjysmë
 - mos ndalni në një pikë të vetme për të shmangur djegien e veshjes
 - mos e lëvizni pajisjen në formë rrrathësh për të shmangur krijimin e njollave ose djegien e veshjes
 - ! **para se ta fikni veglën, ju duhet ta ngrini atë nga materiali i punës**
 - ! **aksesori vazhdon të rrotullohet për pak kohë pas fikjes së veglës**
- Mbatja dhe drejtimi i veglës ④
 - ! **gjatë punës, mbajeni gjithmonë veglën në zonën(at) e dorezës me ngjyrë gri**
 - mbajeni gjithmonë veglën mirë me të dyja duart, në mënyrë që të keni kontroll të plotë të veglës në të gjitha momentet
 - garantoni një qëndrim të sigurt
 - ! **mos ushtroni shumë presion mbi pajisje sa të ndalojë plotësisht**
 - mbajini të çarë e ajrimit L ② të pambuluara

MIRËMBAJTJA / SHËRBIMI

- Mbroni veglën nga goditjet, përplasjet ose grasoja
- Mbajeni gjithmonë veglën dhe kordonin të pastër (veçanërisht të çarë e ajrosjes L ②)
 - ! **shkëputni spinën para pastrimit**
 - ! **mos u përpiqni të pastroni fletët e ajrimit duke futur objekte me majë nëpërmjet të çarave**
- Nëse pajisja ka defekt pavarësisht kujdesit në prodhim dhe procedurat e provave, riparimi duhet të kryhet nga një qendër e shërbimit pas shitjes për veglat e punës të SKIL
 - dërgoni veglën të çmontuar së bashku me vërtetimin e blerjes te shitësi ose te qendra më e afërt e shërbimit

e SKIL (adresat si dhe diagrami i shërbimit i veglës janë të paraqitura në www.skil.com)

MJEDISI

- **Mos i hidhni veglat elektrike, aksesoret dhe paketimin së bashku me materialet e mbeturinave familjare** (vetëm për vendet e BE-së)
 - në respektim të Direktivës evropiane 2012/19/EC për pajisjet elektrike dhe elektronike si mbetje dhe zbatimin e saj në përputhje me ligjet kombëtare, pajisjet elektrike që kanë arritur në fund të jetëgjatësisë së tyre duhet të mblihdhen të ndara dhe të kthehen në një objekt riciklimi në përputhje me mjedisin.
 - simboli ⑥ do t'ju kujtojë për këtë gjë kur të jetë nevoja për t'i hedhur

ZHURMA / VIBRIMI

- E matur në përputhje me EN 60745, niveli i trysnisë së tingullit i kësaj pajisje është 86 dB(A) dhe niveli i fuqisë së tingullit 97 dB(A) (shmangia standarde: 3 dB) dhe vibrimi 8,5 m/s² (shuma vektor i tre drejtime; pasiguria K = 1,5 m/s²)
- Niveli i emetimit të vibrimit është matur në përputhje me një provë të standardizuar të dhënë në EN 60745; ajo mund të përdoret për të krahasuar një vegël me një tjetër dhe si një vlerësim paraprak i ekspozimit ndaj vibrimit kur përdorni pajisjen për proceset e përmendura
 - përdorimi i pajisjes për procese të ndryshme, ose me aksesore të ndryshëm dhe të mirëmbajtur keq, mund të rritë ndjeshëm nivelin e ekspozimit
 - kohët kur pajisja është e fikur dhe kur është e ndezur por jo në punë, mund të zvogëlojnë ndjeshëm nivelin e ekspozimit
- ! **mbroni veten nga efektet e vibrimit duke mirëmbajtur pajisjen dhe aksesoret e saj, duke i mbajtur duart e ngrohta dhe duke organizuar mënyrën tuaj të punës**







نگهداری / سرویس - خدمات

- ابزار را در معرض ضربه، شوک یا گریسچری قرار ندهید
- همیشه ابزار و سیم برق را تمیز نگهدارید (بخصوص شیارهای تهویه L ۲)
- ! پیش از تمیز کردن سیم برق را از برق بکشید
- ! سعی نکنید با وارد کردن اشیاء نوک تیز در منافذ شیارهای تهویه، آنها را تمیز کنید
- اگر ابزار علی‌رغم تمام دقت و مراقبتی که در فرایندهای تولید و تست بکار برده شده از کار افتاد، تعمیرات باید فقط در مراکز خدمات پس از فروش ابزارهای برقی SKIL انجام شود
- ابزار را بصورت بازنشده همراه با رسید خرید به فروشنده یا نزدیک ترین مرکز خدمات رسانی SKIL بفرستید (آدرسها به همراه نمودارنقشه های سرویس ابزار در www.skil.com موجود است)

محیط زیست

- ابزارهای برقی، لوازم و متعلقات و بسته بندی آنها را نباید همراه با زباله های عادی خانگی دور انداخت (فقط مخصوص کشورهای عضو اتحادیه اروپا)
- با توجه به مصوبه اروپایی ۲۰۱۲/۱۹/EC اروپا درباره لوازم برقی و الکترونیکی مستعمل و اجرای این مصوبه مطابق با قوانین کشوری، ابزارهای برقی که به پایان عمر مفید خود رسیده اند باید جداگانه جمع آوری شده و به یک مرکز بازیافت مناسب و سازگار با محیط زیست انتقال یابند
- نمادعلامت ① یادآور این مسئله در هنگام دور انداختن است

صدا / ارتعاشات

- اندازه گیری ها بر اساس استاندارد EN ۱۰۷۴۵ انجام و مشخص شد که میزان فشار صوتی این ابزار ۸۱ دسی بل و میزان توان صوتی آن ۹۷ دسی بل (با انحراف استاندارد ۳: دسی بل)، و میزان ارتعاشات ۸،۵ متر/مجدور ثانیه می باشد (جمع بردارهای سه جهت $K = 1,5$ متر/مجدور ثانیه)
- میزان انتشار ارتعاشات بر اساس تست استاندارد شده ای که در EN ۱۰۷۴۵ معرفی شده است اندازه گیری گردید؛ از این ارقام می توان برای مقایسه یک ابزار با دیگری و بعنوان ارزیابی اولیه در معرض قرارگیری ارتعاشات هنگام کار با ابزار در کاربری های فوق استفاده کرد
- استفاده کردن از ابزار برای کاربردهای متفاوت، یا با لوازم و متعلقات متفاوتترقه یا لوازم و متعلقاتی که بد نگهداری شده اند، می تواند میزان در معرض قرارگیری را بطور قابل ملاحظه ای افزایش دهد
- مواقعی که ابزار خاموش است یا روشن است ولی کاری با آن انجام نمی شود، میزان در معرض قرارگیری بطور قابل توجهی کاهش می یابد
- ! با نگهداری مناسب از ابزار و لوازم و متعلقات آن، گرم نگهداشتن دست های خود، و سازمان دهی طرح های کاری می توانید خود را در برابر اثرات ارتعاش محافظت کنید

- افراد کمتر از ۱۶ سال نباید با این دستگاه کار کنند
- قبل از هرگونه تنظیم یا تعویض کردن لوازم و ملحمتعلقات حتماً باید سیم برق دستگاه را از پریز بکشید
- با موادی حاوی آزیست کار نکنید (آزیست سرطان زاست)

متعلقات

- فقط در صورتی کارکردی بی عیب و نقص ابزار را تضمین می کند که از لوازم و متعلقات مناسب استفاده شده باشد و از نمایندگان رسمی SKIL تهیه شده باشد

- برای سوار کردن/استفاده از متعلقاتی که توسط SKIL ساخته نشده همیشه باید دستورالعملهای سازنده مربوطه را دنبال کنید
 - متعلقات باید فقط با سرعت های چرخش مجاز که معادل بالاترین سرعت بدون بار ابزار هستند به کار برده شوند
 - هرگز از متعلقات دارای سوراخ زور راه "ته بسته" کوچکتر از 21×14 میلیمتر استفاده نکنید
 - از متعلقات معیوب. ناقص یا دارای لرزش استفاده نکنید
 - سیستم های انتقال مواد و ذخیره سازی لوازم جانبی باید با دقت باشد
- استفاده در فضای آزاد**
- اگر می خواهید از ابزار در فضای آزاد استفاده کنید. باید ابزار را حتماً با یک مدارشکن جریان خطا (FI) با سلف جریان حداکثر ۳۰ میلی آمپر وصل کرده و فقط از سیم رابط هایی استفاده کنید که مخصوص فضای آزاد بوده و دارای پریز-اتصال ضد ریزش آب می باشند

پیش از استفاده

- همیشه مطمئن شوید که ولتاژ ورودی دستگاه برابر ولتاژی باشد که روی پلاک دستگاه نوشته شده است

- همیشه دسته کمکی A یا B یا C را سوار کنید؛ هرگز بدون آن از ابزار استفاده نکنید
- گرد و خاکی که از موادی مانند رنگ های حاوی سرب. برخی گونه های چوب. مواد معدنی و فلزات بلند می شود می تواند خطرناک باشد (ماس با این گرد و خاکها و یا تنفس آنها می تواند در کاربران ابزار یا افراد نزدیک به محل کار واکنش های حساسیتی و/یا بیماری های تنفسی ایجاد کند). یک ماسک مخصوص گرد و خاک بزنید و در صورت امکان از یک وسیله مکش گرد و خاک استفاده کنید

- برخی از گرد و خاکها (مانند گرد و خاکی که از چوب بلوط یا راش بلند می شود) علی الخصوص در مجاورت افزودنی های مخصوص چوب. سرطان زا هستند؛ یک ماسک مخصوص گرد و خاک بزنید و در صورت امکان از یک وسیله مکش گرد و خاک استفاده کنید
- از مقررات ملی مربوط به گرد و خاک موادی که می خواهید با آنها کار کنید پیروی نمایید
- **قطعه کاری را محکم کنید** (اگر قطعه کاری را با گیره های جاری یا گیره های رومیزی ثابت کنید همیشه مطمئن تر از گرفتن آن با دست خواهد بود)
- ابزار را در گیره قرار ندهید
- سیم های رابط برق باید کاملاً باز شده و ایمن باشند. از سیم هایی با رده بندی ۱۶ آمپر

در حین استفاده

- همیشه موقع کار باید ابزار را با هر دو دست خیلی محکم گرفته و در حالت مطمئنی بایستید
- همیشه سیم برق را از بخشهای متحرک ابزار دور بگیرید؛ سیم را به سمت پشت. و دور از ابزار بگیرید
- اگر سیم برق آسیب دیده یا بریده شده باشد. هرگز به سیم دست نزنید. اما فوراً آنرا از پریز بکشید
- وقتی که سیم برق ابزار آسیب دیده هرگز از آن استفاده نکنید و از یک فرد متخصص بخواهید آنرا برای شما عوض کند
- در صورت بروز اشکالات برقی یا مکانیکی. فوراً ابزار را خاموش کرده و سیم برق آنرا از پریز بکشید
- در صورت قطع برق یا بیرون کشیده شدن اتفاقی دوشاخه. برای جلوگیری از راه افتادن دوباره و کنترل نشده ابزار. کلید را H یا C رها کنید

بعد از استفاده

- پیش از کنار گذاشتن ابزار حتماً موتور آنرا خاموش کرده و مطمئن شوید که تمام بخشهای متحرک آن به توقف کامل رسیده باشند
- بعد از خاموش کردن ابزار هرگز سعی نکنید یا وارد آوردن فشار جانبی چرخش متعلقات را متوقف کنید

شرح علائم و نمادهای روی ابزار

- ② پیش از کار حتماً دفترچه راهنما را مطالعه کنید
- ④ از عینک محافظ و محافظ گوش استفاده کنید
- ⑤ عایق دوگانه (نیازی به سیم اتصال به زمین - ارت نیست)
- ① ابزار را همراه زباله های خاکی دور نیندازید

استفاده

- سوار کردن دسته های کمکی ⑨
- ! سیم برق را از برق جدا کنید/بکشید
- دسته کمکی A را در راست یا چپ ابزار پیچ کنید (بسته به کاری که می خواهید انجام دهید)
- دسته کمکی B را مطابق شکل سوار کرده و دو پیچ ارائه شده را با آچار آلن C سفت کنید
- سوار کردن متعلقات ①
- ! سیم برق را از برق جدا کنید/بکشید
- شفت D و تمام قطعاتی را که می خواهید سوار کنید را تمیز کنید
- صفحه زیرین چسبی E را روی محور D پیچ کرده و در همان حال دکمه قفل محور را فشار دهید F
- ! **ضامن قفل کننده شفت F را فقط زمانی که شفت D به توقف کامل رسیده است فشار دهید**
- کافی است پارچه پولیش بشمی G را روی صفحه زیرین چسبی فشار دهید E
- برای باز کردن متعلقات به ترتیب عکس عمل کنید
- پیش از استفاده از ابزار
- مطمئن شوید که متعلقات درست سوار شده و بخوبی سفت شده اند
- برای اطمینان از محکم بودن متعلقات سعی کنید آنها را با دست بچرخانید
- ابزار را در یک وضعیت مطمئن برای حداقل ۶۰ ثانیه در بالاترین دور بدون بار روشن کرده و آزمایش کنید
- در صورت احساس ارتعاشات قابل توجه یا اشکالات دیگر فوراً آنرا خاموش کرده و ابزار را برای یافتن دلیل بررسی کنید
- روشن/خاموش
- یا فشار دادن/رها کردن استارت H ① ابزار را روشن/خاموش کنید
- شروع نرم الکترونیکی
- با این شیوه ابزار بعد از روشن شدن بدون تکانه های ناگهانی خیلی نرم و آرام به دور حداکثر خود می رسد
- استارت را برای استفاده پیوسته قفل کنید
- استارت را بکشید H
- یا انگشت شست خود کلید L را فشار دهید
- برای رها کردن کلید استارت H را دوباره کشیده و سپس رها کنید
- کنترل دور ⑩
- با چرخ K می توان حداکثر دور را از کم به زیاد تنظیم کرد - (۱-حداکثر)
- کار را با چرخ K در وضعیت (دور کم) شروع کنید
- در صورت نیاز. هنگامی که ابزار در حال کار است دور بالاتری انتخاب کنید
- دور پهنه به نوع مواد بستگی داشته و با آزمایش های عملی مشخص می گردد
- کار کردن با ابزار
- ابزار را روشن کنید
- ابزار را بطور کامل روی سطحی که قرار است پولیش بشود گذاشته و آنرا بخش به بخش بطور یکپواخت حرکت دهید
- هر حرکت باید نیمی از سطح پوشش داده شده در حرکت قبلی را پوشش دهد
- برای جلوگیری از خطر سوختن پوشش. هرگز نباید روی یک نقطه بمانید
- برای جلوگیری از لک شدن یا سوختن پوشش. ابزار را بصورت دایره ای حرکت ندهید
- ! ابزار را باید قبل از خاموش کردن از روی قطعه کاری برداشست
- ! **متعلقات برای مدت کوتاهی بعد از خاموش شدن ابزار به چرخش ادامه می دهند**
- نگهداشتن و هدایت ابزار ④
- ! **هنگام کار باید همیشه ابزار را از جا(های) دست جاکستری رنگ بگیرید**
- همیشه ابزار را خیلی محکم با هر دو دست بگیرید. تا در کلیه اوقات روی ابزار کنترل کامل داشته باشید
- بطور مطمئن بایستید
- ! **آقدر به ابزار فشار وارد نکنید که از حرکت بایستد**
- شیارهای تهویه L یا O را مسدود نکنید

شروع به کار تعمیر کنید. علت بسیاری از سوانح کاری. عدم مراقبت کامل از ابزارهای الکتریکی می باشد.

ح) ابزار برش را تیز و تمیز نگاهدارید. ابزار برشی که خوب مراقبت شده و از لبه های تیز برخوردارند. کمتر در قطعه کار گیر کرده و بهتر قابل هدایت می باشند.

خ) ابزارهای الکتریکی، متعلقات، ابزارهای که روی دستگاه نصب می شوند و غیره را مطابق دستورات این جزوه راهنما طوری به کار گیرید که با محل این دستگاه تناسب داشته باشند. همچنین به شرایط کاری و نوع کار توجه کنید. کاربرد ابزار برقی برای موارد کاری که برای آن در نظر گرفته نشده است. می تواند شرایط خطرناکی را منجر شود.

د) دسته ها و سطوح دستگیره ها را خشک، تمیز و عاری از روغن و گریس نگه دارید با دسته ها و سطوح دستگیره های لیز می توان در شرایط غیرمنتظره بطور ایمن با ابزار کار کرد و کنترل آنرا داشت

ه) سرویس برای تعمیر ابزار الکتریکی فقط به متخصصین حرفه ای رجوع کرده و از وسایل یکدی اصل استفاده کنید. این باعث خواهد شد که ایمنی دستگاه شما تضمین گردد.

دستورالعملهای ایمنی برای دستگاه های پولیش

1) هشدارهای ایمنی مشترک برای عملیات پولیش زنی

ا) این ابزار برقی فقط برای منظور پولیش کردن طراحی و ساخته شده است؛ تمامی هشدارهای ایمنی، دستورالعملها، تصاویر و مشخصات ارائه شده همراه با این ابزار برقی را مطالعه کنید؛ در صورت عدم رعایت همه هشدارهای زیر خطر برق گرفتگی، آتش سوزی و/یا بروز جراحت های شدید وجود داشت

ب) این ابزار برقی برای ساینده، سنباده زدن، سیم زدن یا بریدن مناسب نیست؛ استفاده از این ابزار برقی جهت مصارفی که برای آن طراحی نشده است خطرناک بوده و ممکن است باعث بروز جراحت فردی شود

ت) اجازه ندهید بخش شل پارچه پولیش یا متعلقات آن آزاد بچرخند؛ کلیه نخهای شل متعلقات را به زیر برده یا بپیرید؛ نخهای شل و آزاد متعلقات به انگشتان شما گیر کرده یا قطعه کاری را خواهند کشید

ث) از متعلقاتی که بطور خاص توسط سازنده ابزار طراحی و یا توصیه نشده اند استفاده نکنید؛ فقط صرف اینک می توان متعلقات را به ابزار برقی وصل کرد. کاربرد ایمن آنرا تضمین نمی کند.

ج) سرعت چرخش نامی متعلقات باید حداقل برابر حداکثر سرعت چرخش درج شده روی ابزار برقی باشد. متعلقات در صورت کار با سرعتی بالاتر از سرعت چرخش نامی خود خواهند شکست.

ح) قطر پیرونی و ضخامت متعلقات باید در محدوده ظرفیت ابزار برقی شما باشد. اگر اندازه متعلقات نامناسب باشد امکان کنترل یا حفاظت آنها در کار وجود نخواهد داشت.

خ) قسمت رزوه دار محل نصب متعلقات باید با رزوه های شفت فرز مطابقت داشته باشد. در مورد متعلقاتی که با فلنج نصب می شوند، سوراخ میانی متعلقات باید با قطر محل اتصال فلنج مطابقت داشته و در آن جا بیفتد.

لوازم و متعلقاتی که کاملاً مناسب با شفت ابزار برقی نباشند. چرخش نامنظم داشته و دچار حرکات نوسانی شدیدی می شوند و این امر می تواند باعث از دست دادن کنترل شود.

د) از لوازم و متعلقات آسیب دیده استفاده نکنید. پیش از هر بار استفاده از لوازم و متعلقات باید آنها را کنترل کنید. بعنوان مثال در مورد صفحات سنگ مطمئن شوید که ترک و یا پیرنگی نداشته باشند. در مورد قابلهای سنگ

به ترک ها و استهلاک دقت کرده، و برس های سیمی را برای یافتن سیم های شل یا شکسته بازدید کنید. در صورتی که ابزار برقی و یا متعلقات آن به زمین بیافتند، آسیب دیدگی احتمالی دستگاه را کنترل کرده و یا از لوازم و متعلقات سالم دیگری استفاده کنید. بعد از بازرسی و نصب لوازم و متعلقات، خود

و سایر افراد نزدیک به ابزار برقی را از ابزار در حال چرخش دور نگاه داشته و بگذارید ابزار برقی به مدت یک دقیقه یا آخرین دور ممکن در حالت بدون بار کار کند. اگر متعلقات آسیب دیده باشند معمولاً در این آزمایش خواهند شکست.

ذ) از لوازم و پوشش های محافظ شخصی استفاده کنید. متناسب با نوع کار از محافظ صورت، محافظ چشم یا عینک ایمنی استفاده کنید. در صورت لزوم از ماسک ضد غبار، گوشی ایمنی، دستکش و یا پیش بند کارگاهی مناسب که بتواند ذرات ریز و براده ها را از شما دور نگاه دارد استفاده کنید. محافظ چشم باید بتواند چشم شما را در برابر جهش ذرات خارجی و براده که در هنگام کارهای مختلف ایجاد می شوند. محافظت کند. ماسک های ایمنی ضد غبار یا ماسک های تنفسی باید قادر به فیلتر کردن ذرات و گرد و غبار ناشی از کار باشند.

قرار گرفتن طولانی مدت در معرض سرد و صدای بلند می تواند به شنوایی شما آسیب بزند.

ر) افرادی که کار می کنند باید فاصله خود را با محل کار شما حفظ کنند. هر فردی که در محل کار شما می شود، باید مجهز به تجهیزات ایمنی و پوشش محافظ شخصی باشد. امکان پرت شدن قطعات شکسته و جدا شده از قطعه کار و یا متعلقات شکسته حتی در خارج از محدوده کار وجود دارد و می تواند باعث جراحت شود.

ز) هنگام استفاده از ابزار در مواردی که امکان دارد متعلقات برش یا سیم های پنهان شده یا سیم های خود ابزار تماس پیدا کنند. حتماً ابزار را از جای دست های مخصوص عایق شده بگیرد تماس متعلقات برش یا سیم های «برق دار» می تواند در بخش های فلزی دستگاه نیز جریان «برق» تولید کرده و موجب شوک برقی استفاده کننده شود.

س) سیم برق ابزار را دور از متعلقات در حال چرخش آن نگاهدارید. اگر کنترل خود را بر ابزار از دست بدهید، امکان دارد سیم برده شده یا کشیده شود و دست یا بازوی شما به داخل بخش متحرک کشیده شود.

ش) هرگز ابزار برقی را قبل از توقف کامل متعلقات آن کنار نگذارید. امکان تماس متعلقات در حال چرخش با سطحی که ابزار بر روی آن قرار دارد وجود داشته و منجر به از دست دادن کنترل شما بر ابزار برقی خواهد شد.

ص) هنگام حمل ابزار الکتریکی آنرا روشن نکنید. تماس اتفاقی با متعلقات در حال چرخش می تواند باعث شود لباس شما کشیده شده و متعلقات و ابزار به بدن شما اصابت کند.

ض) منافذ تهویه هوای ابزار برقی را بطور مرتب تمیز کنید. فن موتور گرد و غبار بیرون را به داخل محفظه ابزار می کشد و جمع شدن بیش از اندازه براده و ذرات فلز در آنجا باعث بروز مخاطرات برقی می شود.

ط) ابزار برقی را در مجاورت مواد قابل اشتعال بکار نبرید. جرقه های می تواند باعث آتش گرفتن این مواد شود.

ظ) از متعلقاتی که نیاز به خنک کننده های مایع دارند استفاده نکنید. استفاده کردن از آب یا خنک کننده های مایع موجب برق گرفتگی خواهد شد.

ز) پس زدن ابزار و هشدارهای مربوطه

• پس زدن ابزار یک واکنش ناگهانی است که در نتیجه گیر کردن و یا قفل شدن سنگ دوار قاب سنگ، برس یا دیگر متعلقات ایجاد می شود. گیر کردن یا قفل شدن باعث توقف ناگهانی متعلقات دوار شده و در نتیجه آن ابزار برقی از کنترل شما خارج می شود و در جهت عکس چرخش متعلقات روی آن حرکت خواهد کرد.

• بعنوان مثال، اگر سنگ در قطعه کار گیر کرده و یا قفل شود، امکان دارد لبه سنگ در نقطه گیر کردن وارد سطح فلز شده و سنگ بلند شده یا پس بزند. در این صورت بسته به جهت حرکت سنگ در نقطه گیر کردن امکان دارد سنگ به سمت کاربر یا در جهت مخالف پرتاب شود. ممکن است صفحات سنگ در این شرایط بشکنند.

• پس زدن در نتیجه استفاده غلط و/یا بکارگیری نادرست ابزار برقی و یا در شرایطی روی می دهد که با رعایت توصیه های ایمنی زیر می توان از بروز آن جلوگیری کرد. ابزار برقی را محکم در دست گرفته و بدن و بازوی خود را طوری قرار دهید که بتوانید ضربات پس زدن ابزار را کنترل کنید. همیشه در صورت امکان از دسته های کمکی استفاده کنید تا بتوانید کنترل خود بر ابزار را در صورت پس زدن حفظ کرده و گشتاور ابزار را در زمان روشن شدن کنترل کنید. کاربرد می تواند در صورت رعایت توصیه های ایمنی گشتاورهای واکنشی یا پس زدن را بخوبی کنترل کند.

ب) هرگز دست خود را به متعلقات در حال چرخش نزدیک نکنید. چون امکان دارد متعلقات در صورت پس زدن به دست شما برخورد کنند.

ت) بدن خود را از نقطه ای که ابزار در صورت پس زدن به آنجا حرکت خواهد کرد دور نگاهدارید. پس زدن ابزار برقی باعث حرکت آن در جهت مخالف حرکت سنگ در نقطه گیر کردن خواهد شد.

ث) اگر پیروی گوشه ها، لبه های تیز و مانند آنها کار می کنید باید دقت مضاعف داشته باشید. از در رفتن و گیر کردن متعلقات جلوگیری کنید. امکان گیر کردن متعلقات دور گوشه ها و لبه های تیز بسیار زیاد است و می تواند کنترل شما را بر هم رده یا ابزار پس بزند.

ج) نباید روی این ابزار برقی اهر زنجیری چوب بری و یا تیغ اهر دندانهای نصب کنید. این تیغه اهرها باعث پس زدن و از بین رفتن کنترل روی ابزار برقی می شوند.

هشدارهای ایمنی اضافی

- عمومی
- از این ابزار فقط برای پولیش کردن خشک استفاده کنید
- تنها از فلانجهایی که همراه با این ابزار ارائه شده است استفاده نمایید

- إن الفترة الزمنية التي يتم خلالها إيقاف تشغيل الأداة أو عندما تكون قيد التشغيل لكنها لا تؤدي أية مهام، تؤدي إلى تقليل مستوى التعرض بصورة كبيرة؛
- ! قم بحماية نفسك من تأثيرات الاهتزاز من خلال صيانة الأداة وملحقاتها، وحافظة على يدك ثابتة وتنظيم أحاط العمل لديك؛

FA

۹۹۵۵

دستگاه پولیش

مقدمه

- این ابزار برای پولیش کردن فلزات، پلاستیک، سطوح پوشش دار و نیز پولیش کردن مواد سنگی بدون استفاده از آب طراحی شده است
- لطفاً این دفترچه راهنما را مطالعه کرده و نگهدارید ۲

اطلاعات فنی ۱

اجزای ابزار ۲

- A دسته کمکی
- B دسته کمکی نوع (D)
- C آچار آلن
- D شفت
- E صفحه زیرین (چسبیده)
- F ضامن قفل کننده شفت
- G پارچه پولیش پشمی
- H کلید روشن/خاموش
- J کلید گردان برای قفل کردن کلید روشن/خاموش
- K چرخ کنترل حداکثر دور
- L شیارهای تهویه

ایمنی

راهنمای های ایمنی عمومی برای ابزارهای الکتریکی

تأمین هشدارهای ایمنی، دستورالعمل‌ها، تصاویر و مشخصات فنی ارائه شده همراه با این ابزار الکتریکی را مطالعه کنید. در صورت عدم رعایت تمام دستورالعمل‌های زیر خطر برق گرفتگی، آتش سوزی و/یا بروز جراحت شدید وجود خواهد داشت. همه هشدارها و راهنمایی‌ها را برای استفاده آتی نگهداری کنید. در این هشدارها عبارت «ابزار الکتریکی» به معنی ابزارهای الکتریکی فاقد باتری (با سیم برق) و یا ابزارهای الکتریکی باتری دار (شارژی) است.

۱) ایمنی محل کار

- ۱) محل کار خود را تمیز، مرتب و مجرزه به نور کافی نگهدارید. محیط کار نامرتب و کم نور می‌تواند باعث سوانح کاری شود.
- ۲) با ابزار الکتریکی در محیط‌هایی که در آن خطر انفجار وجود داشته و حاوی مایعات، گازها و غبارهای محترقه باشد، کار نکنید. ابزارهای الکتریکی جرقه‌هایی ایجاد می‌کنند که می‌توانند باعث آتش گرفتن گرد و بخارهای موجود در هوا شوند.

۳) هنگام کار با ابزار الکتریکی، کودکان و سایر افراد را از دستگاه دور نگهدارید. در صورتیکه حواس شما پرت شود، ممکن است کنترل دستگاه از دست شما خارج شود.

۲) ایمنی الکتریکی

- ۱) دوشاخه ابزار الکتریکی باید با پریز برق تناسب داشته باشد. هیچگونه تغییری در دوشاخه و نه‌مید. مبدل دوشاخه نباید همراه با ابزار الکتریکی دارای اتصال به زمین (ارت شده) استفاده شود. مبدل دوشاخه نباید همراه با ابزار الکتریکی دارای اتصال به زمین (ارت شده) استفاده شود.
- ۲) از تماس بدنی یا قطعات دارای سیم اتصال به زمین (ارت شده) مانند لوله، شوفاز، اجاق برقی و یخچال خود داری کنید. در صورتیکه بدن شما با سیم دارای اتصال به زمین (ارت شده) تماس پیدا کند، خطر برق گرفتگی بیشتر خواهد شد.
- ۳) دستگاه را از باران و رطوبت دور نگهدارید. نفوذ آب به ابزار الکتریکی خطر شوک الکتریکی را افزایش می‌دهد.

۴) از سیم به درستی استفاده کنید. از سیم دستگاه برای کارهایی چون حمل ابزار الکتریکی، آویزان کردن آن و یا خارج کردن دوشاخه از بوق استفاده نکنید. دستگاه را در مقابل حرارت، روغن، لبه‌های تیز و بخش‌های متحرک دستگاه دور نگاهدارید. کابل‌های آسیب دیده و یا گره خورده خطر شوک الکتریکی را افزایش می‌دهند.

۵) در صورتیکه با ابزار الکتریکی در محیط باز کار می‌کنید، تنها از کابل را بطی استفاده کنید که برای محیط باز نیز مناسب باشد. کابل‌های رابط مناسب برای محیط باز، خطر برق گرفتگی را کم می‌کنند.

۶) در صورت لزوم کار با ابزار الکتریکی در محیط و اماکن مرطوب، در اینصورت باید از یک کلید حفاظتی جریان خطا و نشستی زمین (کلید قطع کننده اتصال با زمین) استفاده کنید. استفاده از کلید حفاظتی جریان خطا و نشستی زمین خطر برق گرفتگی را کمتر می‌کند.

۳) رعایت ایمنی اشخاص

۱) حواس خود را خوب جمع کنید، به کار خود دقت کنید و با فکر و هوش کامل با ابزار الکتریکی کار کنید. در صورت خستگی و یا در صورتیکه مواد مخدر، الکل و دارو استفاده کرده‌اید، با ابزار الکتریکی کار نکنید. یک خطه بی توجهی هنگام کار با ابزار الکتریکی، می‌تواند جراحات‌های شدیدی به همراه داشته باشد.

۲) همواره از تجهیزات ایمنی شخصی استفاده کنید. همواره از عینک ایمنی استفاده کنید. استفاده از تجهیزات ایمنی مانند ماسک ایمنی، کفش‌های ایمنی ضد لغزش، کلاه ایمنی و گوشی ایمنی مناسب با نوع کار با ابزار الکتریکی، خطر مجروح شدن را تقلیل می‌دهد.

۳) مواظب باشید که ابزار الکتریکی بطور ناخواسته بکار نیفتد. قبل از وارد کردن دوشاخه دستگاه در پریز برق، اتصال آن به باتری، برداشتن آن و یا حمل دستگاه، باید دقت کنید که ابزار الکتریکی خاموش باشد. در صورتیکه هنگام حمل دستگاه انگشت شما روی دکمه قطع و وصل باشد و یا دستگاه را در حالت روشن به برق نزنید، ممکن است سوانح کاری پیش آید.

۴) قبل از روشن کردن ابزار الکتریکی، باید همه ابزارهای تنظیم کننده و آچارها را از روی دستگاه بردارید. ابزار آچارهایی که روی بخش‌های چرخنده دستگاه قرار دارند، می‌توانند باعث ایجاد جراحات شوند.

۵) بیش از حد به آنها نزدیک نشوید. برای کار جای مطمئنی برای خود انتخاب کرده و تعادل خود را همواره حفظ کنید. به این ترتیب می‌توانید ابزار الکتریکی را در وضعیت‌های غیر منظره بهتر تحت کنترل داشته باشید.

۶) لباس مناسب بپوشید. از پوشیدن لباس‌های فراخ و حمل زینت آلات خود داری کنید. موها، لباس و دستکش‌ها را از بخش‌های درحال چرخش دستگاه دور نگهدارید. لباس‌های فراخ، موی بلند و زینت آلات ممکن است در قسمت‌های درحال چرخش دستگاه گیر کنند.

۷) در صورتیکه می‌توانید وسایل مکش گرد و غبار و یا وسیله جذب زائده را به دستگاه نصب کنید، باید مطمئن شوید که این وسایل نصب و درست استفاده می‌شوند. استفاده از وسایل مکش گرد و غبار مصونیت شما را در برابر گرد و غبار زیاد تر می‌کند.

۸) اجازه ندهید آشنایی و تسلط حاصل از استفاده مکرر از ابزارها باعث شود احساس نیاز به رعایت قواعد نکرده و به قوانین ایمنی ابزار بی توجهی کنید یک عمل از روی بی‌دقتی می‌تواند در کسری از ثانیه موجب جراحات شدید شود استفاده صحیح از ابزار الکتریکی و مراقبت از آن

۹) از وارد کردن فشار زیاد روی دستگاه خود داری کنید. برای هر کاری، از ابزار الکتریکی مناسب با آن استفاده کنید. بکار گرفتن ابزار الکتریکی مناسب باعث می‌شود که بتوانید از توان دستگاه بهتر و با اطمینان بیشتر استفاده کنید.

۱۰) در صورت ایراد در کلید قطع و وصل ابزار برقی، از دستگاه استفاده نکنید. ابزار الکتریکی که نمی‌توان آنها را قطع و وصل کرد، خطرناک بوده و باید تعمیر شوند.

۱۱) قبل از تنظیم ابزار الکتریکی، تعویض متعلقات و یا کنار گذاشتن آن، دوشاخه را از برق کشیده و یا باتری آنرا خارج کنید. رعایت این اقدامات پیشگیری ایمنی از راه افتادن ناخواسته ابزار الکتریکی جلوگیری می‌کند.

۱۲) ابزار الکتریکی را در صورت عدم استفاده، از دسترس کودکان دور نگهدارید. اجازه ندهید که افراد نا وارد و یا اشخاصی که این دفترچه راهنما را نخوانده‌اند، با این دستگاه کار کنند. قرار گرفتن ابزار الکتریکی در دست افراد نازار و بی‌جریه خطرناک است.

۱۳) از ابزار الکتریکی خوب مراقبت کنید. مواظب باشید که قسمت‌های متحرک دستگاه خوب کار کرده و گیر نکنند. همچنین دقت کنید که قطعات ابزار الکتریکی شکسته و یا آسیب دیده نباشند. قطعات آسیب دیده را قبل از

- الغبار الناتج من المواد كالطلاء الذي يحتوي على رصاص وبعض أنواع الأخشاب والمعادن والمكونات المعدنية قد يكون ضارًا (ملازمة أو استنشاق الغبار قد تتسبب في إصابة المشغل أو من يجاوره بأمراض الحساسية و/أو أمراض الجهاز التنفسي);
قم بإرتداء قناع للغبار مع العمل باستخدام جهاز شطف للغبار، طالما أمكن توصيله
- ثمة أنواع معينة من الغبار تُصنّف على أنها مواد مسببة للسرطان (مثل غبار خشب البليوط والذران) خاصة عند استخدامها مع مواد مضافة لمعالجة الخشب:
قم بإرتداء قناع للغبار مع العمل باستخدام جهاز شطف للغبار، طالما أمكن توصيله
- التزم بالمتطلبات الوطنية الخاصة بالغبار عند العمل باستخدام المواد المطلوبة
- ثبت قطعة العمل (الإمسك) بقطعة عمل مثبتة بأجهزة تثبيت أو في ملزمة أكثر أمانًا من مسكها باليد;
- لا تبت الأداة في ملزمة;
- استخدم أسلاك تمديد مفكوكة تمامًا وأمنة سعة 16 أمبير (13 أمبير في بريطانيا العظمى)

أثناء الاستخدام

- أثناء العمل، أحكم دائمًا الإمساك بالأداة بكلتا يديك مع اتخاذ مسافة أمان.
- حافظ دائمًا على بقاء السلك بعيدًا عن الأجزاء المتحركة بالأداة، ووجه السلك للخلف بعيدًا عن الأداة.
- في حالة تعرض السلك للتلف أو لقطع أثناء العمل، لا تلمس السلك وافصل القابض فورًا
- يحظر نهائيًا استخدام الأداة في حالة تلف السلك، بل قم باستبداله من قبل أحد الأفراد المؤهلين
- في حالة حدوث خلل كهربائي أو ميكانيكي، أوقف تشغيل الأداة فورًا وافصل القابض:
- في حالة انقطاع التيار أو عند سحب القابض عن غير قصد، حرر المفتاح H (1) للحماية من بدء التشغيل على نحو لا يمكن السيطرة عليه;

بعد الاستخدام

- قبل وضع الأداة جانبًا، أوقف تشغيل المحرك وتأكد من توقف جميع الأجزاء المتحركة بشكل تام;
- بعد إيقاف تشغيل الأداة، امتنع نهائيًا عن إيقاف دوران المحرك باستخدام قوة جانبية تعترضه;

شرح الرموز الموجودة على الأداة

- (1) قم بقرأة دليل الإرشادات قبل الاستخدام
- (2) ارتد نظارات الأمان وواقبات السمع;
- (3) العزل المزوج (لا يلزم سلك أرضي)
- (4) لا تتخلص من الأداة مع النفايات المنزلية;

الاستخدام

- تركيب المقابض المساعدة (V)
- أفضل القابض:
- اربط المقبض المساعد A باتجاه اليمين أو اليسرى من الأداة (تبعًا للعمل الذي ستقوم به);
- ركب المقبض المساعد B كما هو موضح بالرسم واحكم ربط البراغيز باستخدام المفتاح السدس C
- تركيب الملحقات (1)
- أفضل القابض:
- نظف عمود الدوران D وجميع الأجزاء التي سيتم تركيبها;
- اربط الحشوية الداعمة من EVELCRO على عمود الدوران D مع الضغط على زر قفل عمود الدوران F;
- لا تضغط على زر قفل عمود الدوران F إلا عند توقف العمود D عن الحركة بشكل تام;
- قم ببساطة بالضغط على الغطاء الصوفي G على الحشوية الداعمة من EVELCRO;
- لفك الملحقات قم بإجراء نفس الخطوات بعكس الترتيب السابق;
- قبل استخدام الأداة
- تأكد من تركيب المحرك بشكل صحيح ومن إحكام تثبيته;
- خفّف من سير المحرك بحرية عن طريق إدارته يدويًا;
- قم باختبار تشغيل الأداة لمدة 10 ثانية في الوضع الآمن على أعلى سرعة للأداة بدون حمل;
- توقف فورًا في حالة حدوث اهتزاز ملحوظ أو أي أعطال أخرى، وافحص الأداة لتحديد السبب;

التشغيل/إيقاف التشغيل

- - قم بتشغيل/إيقاف تشغيل الأداة عن طريق ضغط/خروج الزناد H (2)
- - بدء تشغيل الإلكتروني هائل
- - يضمن الوصول للسرعة القصوى بسلسلة بدون التعرض لصدمة مفاجئة عند تشغيل الأداة;
- - قم بفتح المفتاح للاستخدام المتواصل;
- اضغط على الزناد H
- اضغط على الزر ل بإهلامك.
- افتح قفل المفتاح بالضغط مرة أخرى على الزناد H ثم قم بتحريره;
- - التحكم في السرعة (A)
- باستخدام العجلة K يمكن ضبط الحد الأقصى للسرعة من منخفض إلى مرتفع (MAX - 10);
- ابدأ العمل والعجلة K في الوضع (السرعة الأقل);
- إذا لزم الأمر اختر سرعة أعلى أثناء تشغيل الأداة;
- تتوقف سرعة العمل المثالية على المادة ويمكن تحديدها بالتجربة العملية;
- تشغيل الأداة
- شغل الأداة;
- ضع الأداة بالكامل على السطح الذي يجب صقله وحركها بانتظام جزء جزء;
- كل حركة يجب أن تتداخل مع الحركة السابقة بمقدار نصف حركة;
- لا تتوقف عند موضع مفرد حتى لا تحرق طبقة الطلاء;
- لا تحرك الأداة في دوائر لتجنب حرق طبقة الطلاء أو لتلوينها ببقع;
- قبل إيقاف تشغيل الأداة، يجب أن ترتفعها عن قطعة العمل;
- ! يستمر المحرك في الدوران لمدة قصيرة بعد إيقاف تشغيل الأداة;
- إمساك الأداة وتوجيهها (4)
- ! أثناء العمل، امسك الأداة دائمًا من منطقة (مناطق) المقبض مرادية اللون;
- - أحكم دائمًا الإمساك بالأداة بكلتا يديك وبالتالي سيمكّن التحكم في الأداة طوال الوقت بشكل تام;
- اتخذ مسافة أمان;
- ! لا تضغط بشدة على الأداة لتتوقف عن العمل;
- - احرص على أن تكون فتحات التهوية L (2) غير مغطاة;

الصيانة / الخدمة

- - قم بحماية الأداة من التصادم والاهتزاز والشحج;
- - احرص دائمًا على نظافة الأداة والسلك (وخصوصًا فحات التهوية L (2));
- ! أفضل القابض قبل التنظيف
- ! لا تحاول تنظيف فحات التهوية عن طريق إدخال أجسام مسننة من خلال الفحات;
- - إذا تعذر تشغيل الأداة على الرغم من الحذر الشديد في إجراءات التصنيع والاختبار، فيجب القيام بالإصلاحات بواسطة مركز خدمة ما بعد البيع لأدوات الطاقة التابع لشركة SKIL;
- - قم بإرسال الأداة من تفكيكها بالإضافة إلى إثبات الشراء إلى البائع أو أقرب محطة خدمة (SKIL العناوين بالإضافة إلى مخطط الخدمة متاح على www.skil.com)

البيئة المحيطة

- - لا تتخلص من الأدوات الكهربائية والملحقات ومواد التغليف مع النفايات المنزلية (الدول الأخذ الأوروبي فقط);
- وفقًا للتوجيه الأوروبي 2012/19/EG حول نفايات المعدات الكهربائية والإلكترونية وتطبيقه بالتوافق مع القانون المحلي، يجب جمع الأدوات الكهربائية منتهية الصالحة بشكل منفصل وإرسالها إلى أحد منشآت إعادة التصنيع للتوافق مع البيئة;
- سيذكرك الرمز (1) بهذا عند الحاجة إلى التخلص من أية أداة;

الضوضاء / الاهتزاز

- - عند القياس بالتوافق مع EN 10745 يكون مستوى ضغط صوت هذه الأداة هو 81 ديسيبل (أ) ومستوى طاقة الصوت 97 ديسيبل (أ) (الانحراف المعياري 3؛ ديسيبل). والاهتزاز 8,5 م/م²) "مجموع المنحنيات بثلاثة: K غير مؤكد 1,0 م/م²"
- - تم قياس مستوى الاهتزازات بالتوافق مع الاختبار المعياري المحدد في EN 10745: يمكن استخدامه لمقارنة أداة بأداة أخرى وكتقييم تهيدي للتعرض للاهتزاز عند استخدام الأداة في التطبيقات الموضحة;
- - قد يؤدي استخدام الأداة في تطبيقات مختلفة أو مع ملحقات مختلفة ذات ذات صيانة رديئة إلى زيادة مستوى التعرض بصورة كبيرة;

تعليمات السلامة الخاصة بالمصالح

- (ط) لا تستخدم العدة الكهربائية على مقربة من المواد القابلة للاحتراق. قد يؤدي الشرر إلى اشتعال هذه المواد.
- (ظ) لا تستخدم عدد الشغل التي تتطلب مواد التبريد السائلة. قد يؤدي استعمال الماء أو غيرها من مواد التبريد السائلة إلى حدوث الصدمات الكهربائية.
- (ف) الصدمات الارتدادية وتعليمات التحذير المتعلقة بها
- الصدمات الارتدادية هي عبارة عن رد الفعل الفجائي على أثر عدة الشغل الدوارة المتكبلية أو المستعصية. كقرص التخليج و صحن التخليج والفرشاة المعدنية وإلخ. يؤدي التكبس أو الاستعصاء إلى توقف عدة الشغل الدوارة بشكل مفاجئ ويتم بذلك تسارع العدة الكهربائية التي فقدت التحكم بها بعكس اتجاه دوران عدة الشغل عند مكان الاستعصاء.
 - إن استعصى أو تكبل قرص التخليج مثلا في قطعة الشغل، فقد تنفط حافة قرص التخليج التي غطست في مادة الشغل ما يؤدي إلى انحراف قرص التخليج أو إلى حدوث صدمة ارتدادية يتحرك قرص التخليج عندها إما نحو المستخدم. أو متباعدة عنه حسب اتجاه دوران القرص عند مكان الاستعصاء. قد تكسر أقراص التخليج أيضا أثناء ذلك.
 - إن الصدمة الارتدادية هي نتيجة لاستخدام العدة الكهربائية بشكل خاطئ أو غير صحيح. ويكن تجنبها من خلال إجراءات الاحتياط الملائمة اللاحقة الذكر.
- (ا) اقبح على العدة الكهربائية بإحكام مركز جسدك وذراعيك بوضع يسمح لك بصد قوى الصدمات الارتدادية. استخدم المقبض الإضافي دائما أو وجد للتوصل إلى أكبر تحكّم ممكن بقوى الصدمات الارتدادية أو عزوم رد الفعل أثناء ارتفاع عدد الدوران. يمكن للمستخدم أن يسيطر على قوى الصدمات الارتدادية وعزوم رد الفعل من خلال إجراءات الاحتياط المناسبة.
- (ب) لا تقرب بيديك من عدة الشغل الدوارة أبدا. قد تتحرك عدة الشغل عبر يدك عند حدوث صدمة ارتدادية.
- (ك) تجنّب بجسدك الجمال الذي ستتحرّك به العدة الكهربائية عند حدوث صدمة ارتدادية. إنك تصدمه إنكرك الارتدادية. العدة الكهربائية بعكس اتجاه حركة قرص التخليج عند مكان الاستعصاء.
- (ث) اشتغل باحتراس خاص في مجال الزوايا والحواف الحادة وإلخ. تجنّب ارتداد عدد الشغل عن قطعة الشغل واستعصائها. ترجح عدة الشغل الدوارة إلى التكبل عند الزوايا والحواف الحادة أو عندما ترتد. ويؤدي ذلك إلى فقدان التحكم أو إلى الصدمات الارتدادية.
- (ج) لا تستخدم نصال المنشار الجزئية أو النصال المسننة. إن عدد الشغل هذه غالبا ما تؤدي إلى الصدمات الارتدادية أو إلى فقدان السيطرة على العدة الكهربائية.
- ### خُذِرَات السَلَامَةِ الإِضَافِيَّة
- #### معلومات عامة
- لا تستخدم هذه الآلة إلا للصلب الجاف:
 - استخدم الفلنجات التي ترد مع هذه الآلة فقط
 - لا يجب استخدام هذه الآلة من قبل الأشخاص الأقل من 16 عام;
 - احرص دائماً على فصل المفاتيح من مصدر الطاقة قبل القيام بأية عمليات ضبط أو تغيير أية ملحقات;
 - لا تعمل باستخدام مواد تشتمل على الألبستوس يعتبر الألبستوس مادة مسرطنة!
- #### الملحقات
- تضمن SKIL التشغيل السليم للآلة فقط عند استخدام الملحقات الصحيحة. والتي يمكن الحصول عليها من بائع معدات SKIL
 - لتزكيب استخدام ملحقات من إنتاج شركات أخرى بخلاف SKIL يجب الانتباه جيداً إلى تعليمات الشركة المنتجة;
 - استخدم فقط الملحقات بالسرعة المسموح بها. والتي توافق على الأقل أعلى سرعة للآلة بدون حمل:
 - لا تستخدم ملحقات مع ثقب ملولب "غير نافذ" أصغر من 11 x M14 ملليمتر
 - لا تستخدم ملحقات تالفة أو معوجة أو مهترزة وغير ثابتة في مكانها;
 - التعامل وقم بتخزين بعناية الملحقات
- #### الاستخدام في مناطق مفتوحة
- عند استخدام الآلة في مناطق مفتوحة، قم بتوصيل الآلة عبر قاطع تيار دائرة القصر (FI) باستخدام تيار تدار الإشتعال مقداره 30 مللي أمبير بحد أقصى. ولا تستخدم إلا سلك التمديد المخصص للاستخدام في المناطق المفتوحة والمزود بمفص وصل مقاوم للرشد:
- #### قبل الاستخدام
- تأكد دائماً من أن الفولت المزود هو نفسه المشار إليه على اللوحة الخاصة بالأداة
 - قام دائماً بتزكيب مقبض مساعداً A ① B ②، ولا تستخدم الآلة بدون نهائياً

- (1) خُذِرَات السَلَامَةِ العَامَةِ لعمليّات الصقل
- (ا) تم تصميم هذه الأداة الكهربائية لتعمل كمصقلة. أقرأ كل خُذِرَات السَلَامَةِ والتعليمات والصور الإيضاحية والمواصفات المرفقة مع هذه الآلة الكهربائية. فقد يؤدي الإخفاق في الالتزام بكل التعليمات المبينة فيما يلي إلى التعرض لصدمة كهربائية وأذى حرق وأو إصابة خطيرة.
- (ب) لا يوصى باستخدام هذه الآلة للقيام بعمليات التخليج أو الصنفرة أو للفرك بفرشاة سلكية أو القطع. حيث أن استخدام الآلة في عمليات لم تصمم من أجلها قد ينشأ عنه خطر وتسيب في إصابة شخصية.
- (ت) يُحظَر ترك أي جزء من غطاء الصقل أو خيوط الآلة الملحقة مفكوكاً لمدور بحرية. قم بإخفاء أو قص أي خيوط ملحقة مفكوكة. قد تتسبب الخيوط الملحقة المفكوكة والملتفة في تشابك أصابعك أو حدوث تشققات بقطعة العمل.
- (ث) لا تستعمل التوايح التي لم ينصح باستخدامها ولم يخصصها المنتج لهذه العدة الكهربائية بالذات. إن مجرد إمكانية تثبيت التوايح بالعدة الكهربائية لا تكفل إمكانية الاستعمال بأمان.
- (ج) يجب أن توافق قيمة عدد دوران عدة الشغل المسموح به على الأقل قيمة عدد الدوران الأقصى المذكور على العدة الكهربائية. إن التوايح التي تدور بسرعة تزيد عن السرعة المسموحة، قد تنكسر وتتطاير.
- (ح) يجب أن يتوافق كلا من قطر وثخن عدة الشغل مع قيم القياسات بالعدة الكهربائية. لا يمكن التحكم بعدد الشغل ذات الفاسات الخاطئة أو الانتاء منها بشكل كاف.
- (خ) يجب أن يتطابق التركيب المسنن للملحقات مع سن لولب عمود دوران أداة الجليخ؛ للملحقات المركبة بواسطة الفلنجات. يجب أن تتناسب فتحة محول الملحق مع قطر التركيب المسنن. ستعمل الملحقات التي لا تلازم جهاز تركيب الآلة الكهربائية على نحو غير متوازن وستهتز بشكل مفرط وقد تسبب فقدان التحكم:
- (د) لا تستخدم عدد الشغل التالفة. تفحص عدد الشغل قبل كل استعمال. كأقراص التخليج على التشقق والشظايا، أطباق التخليج على التشقق والتصدع أو شدة الاستهلاك. والفرش المعدنية على وجود الأسلاك السائبة أو المكسرة. إن سقطت العدة الكهربائية أو عدة الشغل على الأرض، فتفحص إن كانت قد أصيبت بخلل أو استخدم عدة شغل غير تالفة. إن حُكمت بعدد الشغل وركبتها، حافظ على إبطائك وغيرك من الأشخاص على بعد عن مستوى عدد الشغل الدوارة وشغل العدة الكهربائية بعدد الدوران الأقصى لمدة دقيقة واحدة إن عدد الشغل التالفة غالباً ما تنكسر خلال هذه المدة التجريبية.
- (ذ) ارتد عناء وقياية شخصي. استخدم حسب الاستعمال وقياية كاملة للوجه، وواقية للعينين ونظارات واقية. ارتد عند الضرورة قناع للوقاية من الغبار وواقية سماع وقفازات واقية أو مربول خاص يبعد عنك جسيمات التخليج والمواد الباقية. ينفي وقياية العينين من الجسيمات الغريبة المتطايرة التي تنتج عن الاستعمالات المختلفة. يجب أن تقوم الأقنعة الواقية للتنفس والواقية من الغبار بترشيح الأغبيرة الناتجة عن الاستخدام. قد تصاب بفقدان السمع إن تعرضت لضجيج عال لفترة طويلة.
- (ر) انتبه إلى ابتعاد الآخرين عن مجال عملك بمسافة آمنة. ينبغي أن يرتدي كل من يطى مجال العمل عناء وقياية شخصي. قد تتطاير أجزاء من قطعة الشغل أو عدد الشغل المكسورة لتسبب الإصابات حتى خارج مجال العمل المباشر.
- (ز) امسك بالآلة الكهربائية بواسطة أسطح إمساك معزولة وذلك عند القيام بأعمال قد تتعرض ملحقات القطع من خلالها إلى التلامس مع أسلاك غير ظاهرة أو مع السلك الخاص بها. تلامس ملحقات القطع مع سلك متصل بالكهرباء سيؤدي إلى "وصول التيار الكهربائي" إلى الأجزاء المعدنية المكشوفة وقد يعرض المشغل لصدمة كهربائية.
- (س) حافظ على إبعاد كابل الشبكة الكهربائية عن عدد الشغل الدوارة. إن فقدت السيطرة على الجهاز فقد يقطع أو يتكبل كابل الشبكة الكهربائية وقد تتسحب بيك أو ذراعك إلى عدة الشغل الدوارة.
- (ش) لا تترك العدة الكهربائية أبداً قبل أن تتوقف عدة الشغل عن الحركة تماماً. قد تتلامس عدة الشغل مع سطح التركيب ما قد يؤدي إلى فقدان التحكم بالعدة الكهربائية.
- (ص) لا تترك العدة الكهربائية قيد الحركة أثناء حملها. قد تتكبل ثيابك عند ملامسة عدة الشغل بشكل غير مقصود وقد تنغرز عدة الشغل في جسدك.
- (ض) نظف شقوق التهوية بعذتك الكهربائية بشكل منتظم. إن منفاخ الحرك يسحب الغبار إلى داخل الهيكل. وتراكم الأغبيرة المعدنية الشديدة قد يشكل الخطر الكهربائي.

مقدمة

- تم تصميم هذه الأداة لسفل المعادن والبلاستيك والأسطح المطيية إلى جانب صقل المواد الحجرية بدون استخدام الماء؛
- اقرأ دليل التعليمات هذا واحتفظ به ٢

البيانات الفنية ١

مكونات الأداة ٢

- A مقبض مساعد
- B مقبض مساعد (من نوع D)
- C مفتاح مسدس
- D عمود دوران
- E الخنثية الداعمة (VELCRO)
- F قفل مغزلي
- G غطاء صوفي
- H مفتاح التشغيل/إيقاف
- J زر لفعل مفتاح التشغيل/إيقاف التشغيل
- K عجلة للتحكم في السرعة القسوى
- L فتحات التهوية

أمان

تحذيرات السلامة العامة للأداة الكهربائية

⚠ تحذير اقرأ كل تحذيرات السلامة والتعليمات والأشكال الإيضاحية والموصلات المرفقة مع هذه الأداة الكهربائية؛ فقد يؤدي الإخفاق في الالتزام بكل التعليمات المدرجة أدناه إلى التعرض لصدمة كهربائية وأو حريق وأو إصابة خطيرة؛ احتفظ بكل التحذيرات للرجوع إليها في المستقبل يشير للمصطلح «الأداة الكهربائية» في التحذيرات إلى الأداة الكهربائية الخاصة بك التي تعمل بطاقة المآخذ الرئيسي (باستخدام سلك) أو بطاقة البطارية (بدون سلك)؛

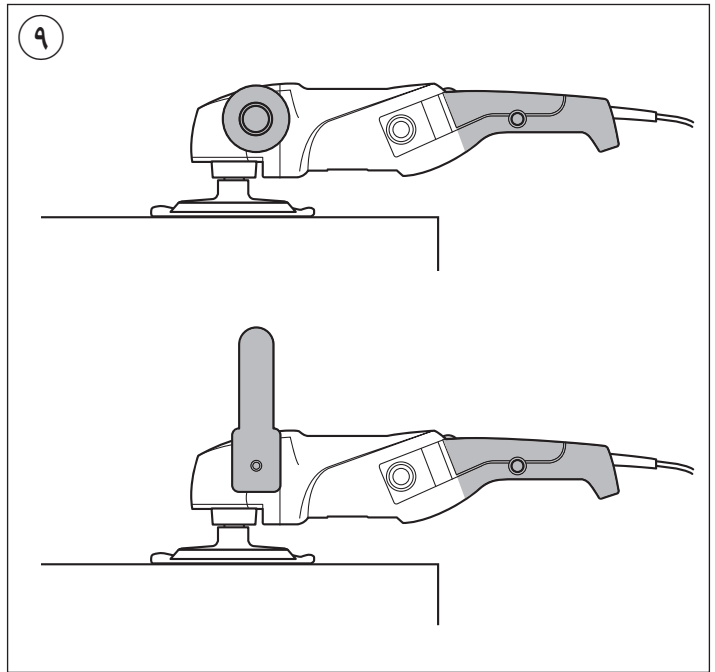
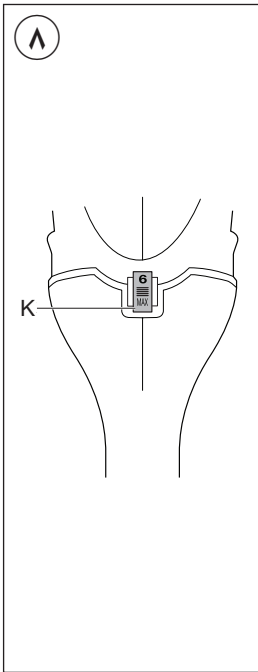
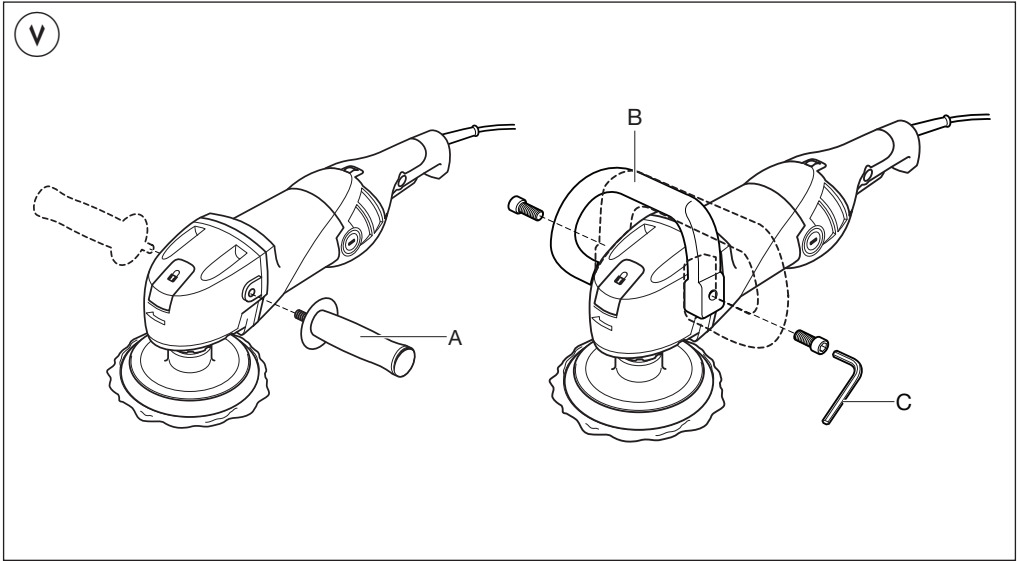
الأمان بمكان الشغل

- ١ حافظ على نظافة وحسن إضاءة مكان شغلك الفوضوية في مكان الشغل ومجالات العمل الغير مضاعة قد تؤدي إلى حدوث الحوادث.
- ٢ لا تشغّل بالعدة الكهربائية في محيط معرض لخطر الانفجار والذي تتوفر فيه السوائل والغازات أو الأغبرة القابلة للإنشتعال العدد الكهربائية تشكل البشر الذي قد يتطاير فيشعل الأغبرة والأبخرة.
- ٣ حافظ على بقاء الأطفال وغيرهم من الأشخاص على بعد عندما تستعمل العدة الكهربائية. قد تفقد السيطرة على الجهاز عند التلهي.
- ٤ الأمان الكهربائي
 - ١ يجب أن يتلامس قاسب وصل العدة الكهربائية مع المقبس. لا يجوز تغيير القابس بأي حال من الأحوال. لا تستعمل القواسب الهابطة مع العدد الكهربائية المؤرضة تأريض وقائي. تخفض القواسب التي لم يتم تغييرها والمقابس الملائمة من خطر الصدمات الكهربائية.
 - ٢ تجنب ملامسة السطوح المؤرضة كالأنابيب ورادياتورات التدفئة والمدافئ أو البرادات بواسطة جسمك. يزداد خطر الصدمات الكهربائية عندما يكون جسمك مؤرض.
 - ٣ أبعد العدة الكهربائية عن الأمطار والرطوبة. يزداد خطر الصدمات الكهربائية إن تسرب الماء إلى داخل العدة الكهربائية.
 - ٤ يجب عدم إساءة استخدام الكابيل. لا تسيء استعمال الكابيل لحمل العدة الكهربائية أو تعليقها أو لسحب القابض من المقبس. حافظ على إبعاد الكابيل عن الحرارة والزيت والحواف الحادة أو عن أجزاء الجهاز المتحركة. تزيد الكابلات الثالثة أو المتشابكة من خطر الصدمات الكهربائية.
 - ٥ استخدم فقط كابلات التمديد الصالحة للاستعمال الخارجي أيضا عندما تشغّل بالعدة الكهربائية في الحلاء. يخفض استعمال كابيل تمديد مخصص للاستعمال الخارجي من خطر الصدمات الكهربائية.

١ ح إن لم يكن بالإمكان عدم تشغيل العدة الكهربائية في الأجواء الرطبة. فاستخدم مفتاح للوقاية من التيار المتردد. إن استخدام مفتاح للوقاية من التيار المتردد يقلل خطر الصدمات الكهربائية.

٢ أمان الأشخاص

- ١ كُن يقظاً وأنتبه إلى ما تفعله وقم بالعمل بواسطة العدة الكهربائية بتعتقل. لا تستخدم عدة كهربائية عندما تكون متعب أو عندما تكون تحت تأثير المخدرات أو الكحول أو الأدوية. عدم الإبتناء للحظة واحدة عند استخدام العدة الكهربائية قد يؤدي إلى إصابة خطيرة.
- ٢ ارتد عتاد الوقاية الخاص. وارتد دائماً نظارات واقية. يجب إرتداء عتاد الوقاية الخاص. كتنافس الوقاية من الغبار وأخذية الأمان الواقية من الإنزلاق والخوذ واقية الأذنين. حسب نوع واستعمال العدة الكهربائية. من خطر الإصابة بجروح.
- ٣ تجنب التشغيل بشكل غير مقصود. تأكد من كون العدة الكهربائية مطفأة قبل وصلها بإمداد التيار الكهربائي و/ أو بالركم، وقيل رفعها أو حملها. إن كنت تضع إصبعك على المفتاح أثناء حمل العدة الكهربائية أو إن وصلت الجهاز بالشبكة الكهربائية عندما يكون قيد التشغيل. فقد يؤدي ذلك إلى حدوث الحوادث.
- ٤ انزع عدد الضغط أو مفتاح الربط قبل تشغيل العدة الكهربائية. قد تؤدي العدة أو الأوضاع المتواجدة في جزء دوران من الجهاز إلى الإصابة بجروح.
- ٥ تجنب أوضاع الجسد غير الطبيعية. قف بأمان وحافظ على توازنك دائماً. سيسمح لك ذلك من السيطرة على الجهاز بشكل أفضل في المواقف غير المتوقعة.
- ٦ ح ارتد ملابس مناسبة. لا ترتدي الثياب الفضفاضة أو الخلي. حافظ على إبقاء الشعر والثياب والقفازات على بعد عن أجزاء الجهاز المتحركة. قد تتشابك الثياب الفضفاضة والخلي والشعر الطويل بالأجزاء المتحركة.
- ٧ إن جاز تركيب جهاز شفط وجميع الغبار، فتأكد من أنها موصولة وبأنه يتم استخدامها بشكل سليم. قد يقلل استخدام تجهيزات لشفط الأغبرة من المخاطر الناتجة عن الأغبرة.
- ٨ لا تدع اعتيادك على الاستخدام المتكرر للأدوات يسمح لك بتجاهل مبادئ سلامة الأداة؛ قد يتسبب الاستخدام بدون تكرار في حدوث إصابة بالغة في غضون ثواني؛
- ٩ حسن معاملة واستخدام العدد الكهربائية
- ١٠ لا تطرف في تحميل الجهاز. استخدم لتنفيذ أشغالك العدة الكهربائية المخصصة لذلك. إنك تعمل بشكل أفضل وأكثر أماناً بواسطة العدة الكهربائية الملائمة في مجال الأداء المذكور.
- ١١ لا تستخدم العدة الكهربائية إن كان مفتاح تشغيلها تالف. العدة الكهربائية التي لم تعد تسمح بتشغيلها أو بإفائها خطيرة ويجب أن يتم تصليحها.
- ١٢ اسحب القابض من المقبس و/ أو انزع الكرم قبل ضبط الجهاز وقيل إستبدال التوابع أو قبل وضع الجهاز جانباً. تمنع إجراءات الاحتياط هذه تشغيل العدة الكهربائية بشكل غير مقصود.
- ١٣ احتفظ بالعدد الكهربائية التي لا يتم استخدامها بعيداً عن متال الأطفال. لا تسمح باستخدام العدة الكهربائية لمن لا خبرة له بها أو لمن لم يقرأ تلك التعليمات. العدد الكهربائية خطيرة إن تم استخدامها من قبل أشخاص دون خبرة.
- ١٤ ج اعتن بالعدة الكهربائية بشكل جيد. تفحص عما إذا كانت أجزاء الجهاز المتحركة تعمل بشكل سليم وبأنها غير مستعصبة عن الحركة أو إن كانت هناك أجزاء مكسورة أو تالفة لدرجة تؤثر فيها على حسن أداء العدة الكهربائية. ينبغي تصليح هذه الأجزاء التالفة قبل إعادة تشغيل الجهاز. الكثير من الحوادث مصدرها العدد الكهربائية التي تم صيانتها بشكل ردي؛
- ١٥ ح حافظ على إبقاء عدد القطع نظيفة وحادة. إن عدد القطع ذات حواف القطع الحادة التي تم صيانتها بعناية تكليس بشكل أقل ويمكن توجيهها بشكل أيسر.
- ١٦ خ استخدم العدد الكهربائية والتوابع وعدد الشغل والرخ حسب هذه التعليمات تراعى أثناء ذلك شروط الشغل والعمل المراد تنفيذه. استخدم العدد الكهربائية لغير الأشغال المخصصة لأجلها قد يؤدي إلى حدوث الحالات الخطيرة.
- ١٧ د احرص على جفاف المقابض وأسطح الإمساك ونظافتهما وخواهما من الزيت والشحوم؛ لا تسمح للمقابض وأسطح الإمساك الزلقة بالاستخدام والتحكم الآمن في الأداة في الحالات غير المتوقعة؛
- ١٨ ه اخدم
- ١٩ ا اسمح بتصليح عدتك الكهربائية فقط من قبل المتخصصين فقط وباستعمال قطع الغيار الأصلية. يؤمن ذلك المحافظة على أمان الجهاز.



1 9955

1300
Watt

2,9 kg

n
3000/min

n₀
600-
3000/min

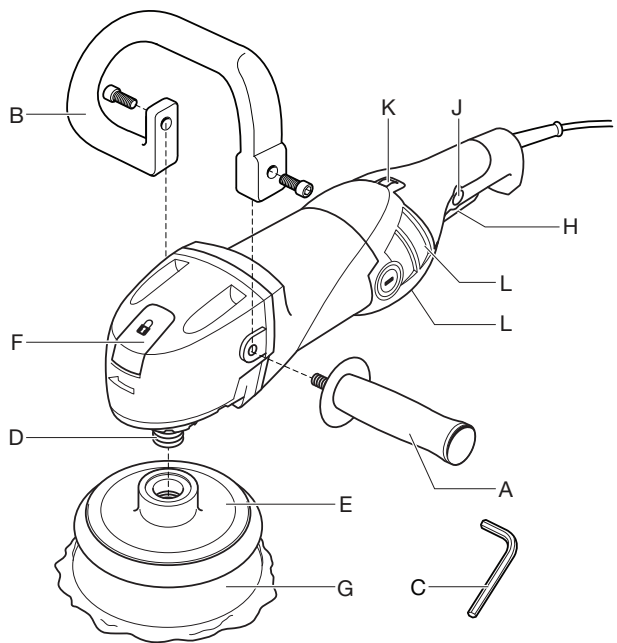
M14

MAX.
Ø 180 mm

4m
RUBBER

220
240
V~
50-60 Hz

2



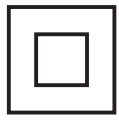
3



4



5

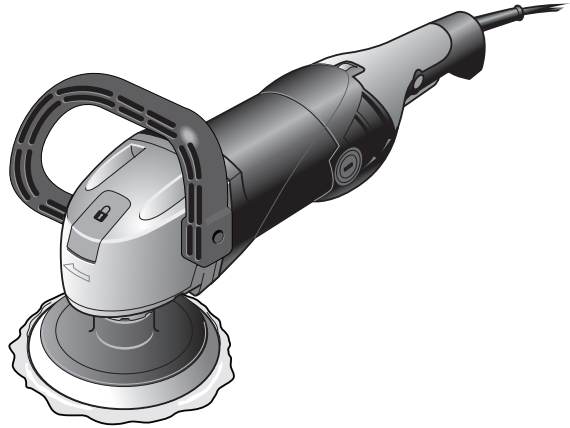


6



مصقلة
9955

SKIL®



دليل الاستعمال **AR**
راهنمای اصلی **FA**

