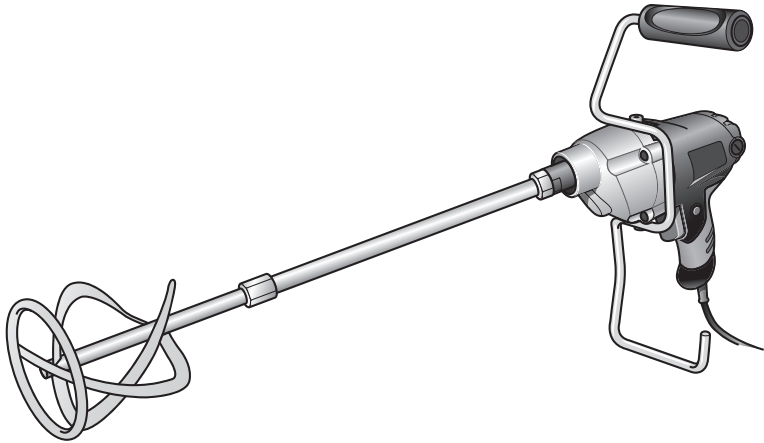


SKIL®

MIXER 1608 (F0151608..)




GB	ORIGINAL INSTRUCTIONS	7	UA	ОРИГІНАЛЬНА ІНСТРУКЦІЯ З ЕКСПЛУАТАЦІЇ	51
F	NOTICE ORIGINALE	9	GR	ΠΡΟΤΟΤΥΠΟ ΟΔΗΓΙΩΝ ΧΡΗΣΗΣ	54
D	ORIGINALBETRIEBSANLEITUNG	12	RO	INSTRUCȚIUNI DE FOLOSIRE ORIGINALE	57
NL	ORIGINELE GEBRUIKSAANWIJZING	15	BG	ОРИГИНАЛНО РЪКОВОДСТВО ЗА ЕКСПЛОАТАЦИЯ	60
S	BRUKSANVISNING I ORIGINAL	18	SK	PŮVODNÝ NÁVOD NA POUŽITIE	63
DK	ORIGINAL BRUGSANVISNING	20	HR	ORIGINALNE UPUTE ZA RAD	66
N	ORIGINAL BRUKSANVISNING	23	SRB	ORIGINALNO UPUTSTVO ZA RAD	68
FIN	ALKUPERÄISET OHJEET	25	SLO	IZVIRNA NAVODILA	71
E	MANUAL ORIGINAL	28	EST	ALGUPÄRANE KASUTUSJUHEND	73
P	MANUAL ORIGINAL	31	LV	ORIĢINĀLĀ LIETOŠANAS PAMĀCĪBA	76
I	ISTRUZIONI ORIGINALI	34	LT	ORIGINALI INSTRUKCIJA	79
H	EREDETI HASZNÁLATI UTASÍTÁS	36	MK	ИЗБОРНО УПАТСТВО ЗА РАБОТА	81
CZ	PŮVODNÍM NÁVODEM K POUŽÍVÁNÍ	39	AL	UDHËZIMET ORIGINALE	84
TR	ORİJİNAL İŞLETME TALİMATI	42	AR	دليل الاستعمال	92
PL	INSTRUKCJA ORYGINALNA	44	FA	راهنمای اصلی	91
RU	ПОДЛИННИК РУКОВОДСТВА ПО ЭКСПЛУАТАЦИИ	47			



www.skil.com



GB	EU Declaration of conformity		We declare under our sole responsibility that the stated products comply with all applicable provisions of the directives and regulations listed below and are in conformity with the following standards.
	Mixer	Article number	Technical file at: ★
F	Déclaration de conformité UE		Nous déclarons sous notre propre responsabilité que les produits décrits sont en conformité avec les directives, règlements normatifs et normes énumérés ci-dessous.
	Mixeur	Numéro d'article	Dossier technique auprès de: ★
D	EU-Konformitätserklärung		Wir erklären in alleiniger Verantwortung, dass die genannten Produkte allen einschlägigen Bestimmungen der nachfolgend aufgeführten Richtlinien und Verordnungen entsprechen und mit folgenden Normen übereinstimmen.
	Mischer	Sachnummer	Technische Unterlagen bei: ★
NL	EU-conformiteitsverklaring		Wij verklaren op eigen verantwoordelijkheid dat de genoemde producten voldoen aan alle desbetreffende bepalingen van de hierna genoemde richtlijnen en verordeningen en overeenstemmen met de volgende normen.
	Mixer	Productnummer	Technisch dossier bij: ★
S	EU-konformitetsförklaring		Vi förklarar under eget ansvar att de nämnda produkterna uppfyller kraven i alla gällande bestämmelser i de nedan angivna direktiven och förordningarna och att de stämmer överens med följande normer.
	Mixer	Produktnummer	Teknisk dokumentation: ★
DK	EU-overensstemmelseserklæring		Vi erklærer som eneansvarlige, at det beskrevne produkt er i overensstemmelse med alle gældende bestemmelser i følgende direktiver og forordninger og opfylder følgende standarder.
	Blandeværktøj	Typenummer	Tekniske bilag ved: ★
N	EU-samsvarserklæring		Vi erklærer under eneansvar at de nevnte produktene er i overensstemmelse med alle relevante bestemmelser i direktivene og forordningene nedenfor og med følgende standarder.
	Blander	Produktnummer	Teknisk dokumentasjon hos: ★
FIN	EU-vaatimustenmukaisuusvakuutus		Vakuutamme täten, että mainitut tuotteet vastaavat kaikkia seuraavien direktiivien ja asetusten asiaankuuluvia vaatimuksia ja ovat seuraavien standardien vaatimusten mukaisia.
	Sekoitin	Tuotenumero	Tekniset asiakirjat saatavana: ★
E	Declaración de conformidad UE		Declaramos bajo nuestra exclusiva responsabilidad, que los productos nombrados cumplen con todas las disposiciones correspondientes de las directivas y los reglamentos mencionados a continuación y están en conformidad con las siguientes normas.
	Mezcladora	Número de artículo	Documentos técnicos de: ★
P	Declaração de conformidade CE		Declaramos sob nossa exclusiva responsabilidade que os produtos mencionados cumprem todas as disposições e os regulamentos indicados e estão em conformidade com as seguintes normas.
	Misturador	Número do produto	Documentação técnica pertencente a: ★
I	Dichiarazione di conformità UE		Dichiariamo sotto la nostra piena responsabilità che i prodotti indicati sono conformi a tutte le disposizioni pertinenti delle direttive e dei regolamenti elencati di seguito, nonché alle seguenti normative.
	Mescolatore	Codice prodotto	Documentazione tecnica presso: ★
H	EU konformitási nyilatkozat		Egyedüli felelőséggel kijelentjük, hogy a megnevezett termékek megfelelnek az alábbiakban felsorolásra kerülő irányelvek és rendeletek valamennyi idevágó előírásainak és megfelelnek a következő szabványoknak.
	Keverőgép	Cikkszám	Műszaki dokumentumok megőrzési pontja: ★
CZ	EU prohlášení o shodě		Prohlašujeme na výhradní zodpovědnost, že uvedený výrobek splňuje všechna příslušná ustanovení níže uvedených směrnic a nařízení a je v souladu s následujícími normami.
	Mixér	Objednací číslo	Technické podklady u: ★
TR	AB Uygunluk beyanı		Tek sorumlu olarak, tanımlanan ürünün aşağıdaki yönetmelik ve direktiflerin geçerli bütün hükümlerine ve aşağıdaki standartlara uygun olduğunu beyan ederiz.
	Mikser	Ürün kodu	Teknik belgelerin bulunduğu yer: ★
PL	Deklaracja zgodności UE		Oświadczamy z pełną odpowiedzialnością, że niniejsze produkty odpowiadają wszystkim wymaganiom poniżej wyszczególnionych dyrektyw i rozporządzeń, oraz że są zgodne z następującymi normami.
	Mieszarka	Numer katalogowy	Dokumentacja techniczna: ★
RU	Заявление о соответствии ЕС		Мы заявляем под нашу единоличную ответственность, что названные продукты соответствуют всем действующим предписаниям нижеуказанных директив и распоряжений, а также нижеуказанным норм.
	Мешалка	Товарный номер	Техническая документация хранится у: ★
UA	Заява про відповідність ЄС		Мизявляємо під нашу одноособову відповідальність, що названі вироби відповідають усім чинним положенням нищезначених директив і розпоряджень, а також нижчезначеним нормам.
	Мішалка	Товарний номер	Технічна документація зберігається у: ★

GR	Δήλωση πιστότητας ΕΕ		Δηλώνουμε με αποκλειστική μας ευθύνη, ότι τα αναφερόμενα προϊόντα αντιστοιχούν σε όλες τις σχετικές διατάξεις των πιο κάτω αναφερόμενων οδηγιών και κανονισμών και ταυτίζονται με τα ακόλουθα πρότυπα.
	Αναδευτήρας	Αριθμός ευρετηρίου	Τεχνικά έγγραφα στη: ★
RO	Declarație de conformitate UE		Declarăm pe proprie răspundere că produsele menționate corespund tuturor dispozițiilor relevante ale directivei și reglementărilor enumerate în cele ce urmează și sunt în conformitate cu următoarele standarde.
	Mixer	Număr de identificare	Documentație tehnică la: ★
BG	ЕС декларация за съответствие		С пълна отговорност ние декларираме, че посочените продукти отговарят на всички валидни изисквания на директивите и разпоредбите по-долу и съответства на следните стандарти.
	Миксер	Каталожен номер	Техническа документация при: ★
SK	EU vyhlásenie o zhode		Vyhlasujeme na výhradnú zodpovednosť, že uvedený výrobok spĺňa všetky príslušné ustanovenia nižšie uvedených smerníc a nariadení a je v súlade s nasledujúcimi normami.
	Mixer	Vecné číslo	Technické podklady má spoločnosť: ★
HR	EU izjava o skladnosti		Pod punom odgovornošću izjavljujemo da navedeni proizvodi odgovaraju svim relevantnim odredbama direktiva i propisima navedenima u nastavku i da su skladni sa sljedećim normama.
	Mikser	Kataloški broj	Tehnička dokumentacija se može dobiti kod: ★
SRB	EU-izjava o usaglašenosti		Na sopstvenu odgovornost izjavljujemo, da navedeni proizvodi odgovaraju svim dotičnim odredbama naknadno navedenih smernica u uredbama i da su u skladu sa sledećim standardima.
	Mikser	Broj predmeta	Tehnička dokumentacija kod: ★
SLO	Izjava o skladnosti ES		Izjavljamo pod izključno odgovornostjo, da je omenjen izdelek v skladu z vsemi relevantnimi določili direktiv in uredb ter ustreza naslednjim standardom.
	Mešalnik	Številka artikla	Tehnična dokumentacija pri: ★
EST	EL-vastavusdeklaratsioon		Kinnitame ainuvastutajatena, et nimetatud tooted vastavad järgnevalt loetletud direktiivide ja määruste kõiki dele asjaomastele nõuetele ja on kooskõlas järgmiste normidega.
	Segur	Tootenumber	Tehnilised dokumendid saadaval: ★
LV	Deklarācija par atbilstību EK standartiem		Mēs ar pilnu atbildību paziņojam, ka šeit aplūkotie izstrādājumi atbilst visiem tālāk minētajās direktīvās un rīkojumos ietvertajām saistošajām nostādņēm, kā arī sekojošiem standartiem.
	Mikseris	Izstrādājuma numurs	Tehniškā dokumentācija no: ★
LT	ES atitikties deklaracija		Atsakingai pareiškiame, kad išvardyti gaminiai atitinka visus privalomus žemiau nurodytų direktyvų ir reglamentų reikalavimus ir šiuos standartus.
	Maišytuvas	Gaminio numeris	Techninė dokumentacija saugoma: ★
MK	EU-Изјава за сообразност		Со целосна одговорност изјавуваме, дека опишаните производи се во согласност со сите релевантни одредби на следните регулативи и прописи и се во согласност со следните норми.
	Мешалка	Број на артикл	Техничка документација кај: ★
AL	EU Deklarata e konformitetit		Ne deklarojmë me përgjegjësinë tonë të vetme se produktet e paraqitura janë në përputhje me të gjitha dispozitatet e zbatueshme të direktivave dhe rregulloreve të listuara më poshtë dhe janë në përputhje me standardet si më poshtë.
	Përzierësi	Numri i nenit	Dosja teknike në: ★
	1608	F0151608..	2006/42/EC EN 62841-1:2015 2014/30/EU EN 62841-2-10:2017 2011/65/EU EN 55014-1:2006 + A1:2009 + A2:2011 EN 55014-2:2015 EN 61000-3-2:2014 EN 61000-3-3:2013 EN 63000:2018
			SKIL ® * Skil BV Konijnenberg 62 4825 BD Breda The Netherlands
			Olaf Dijkgraaf Approval Manager 
			Skil BV, Konijnenberg 62, 4825 BD Breda, NL 18.01.2021

1

1608

850
Watt

2,6 kg

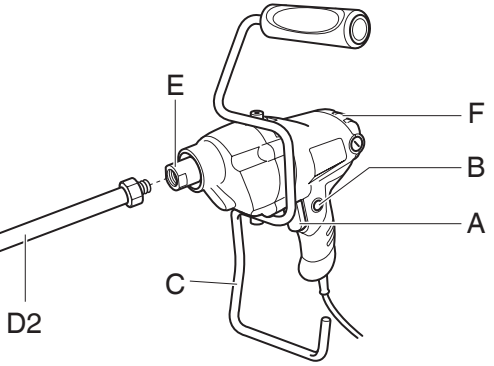
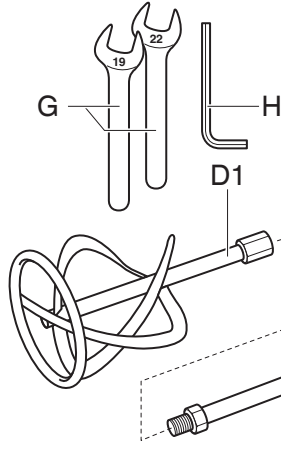
n_0
0-550
/min

M14

±120 mm
MAX

220
-
240
V~
50-60 Hz

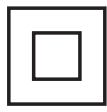
2



3



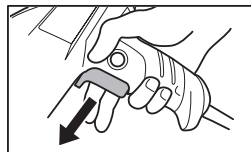
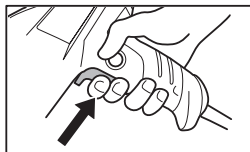
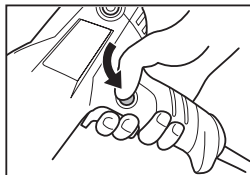
4



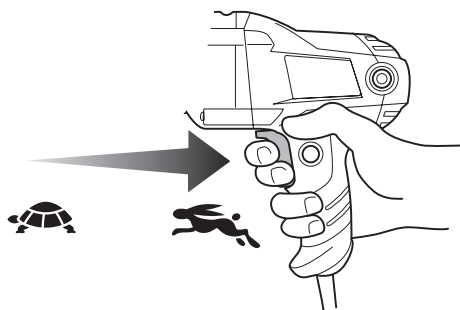
5



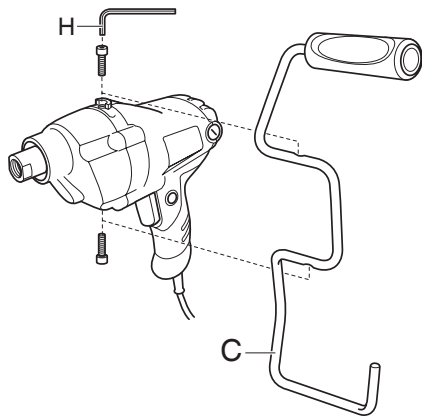
6

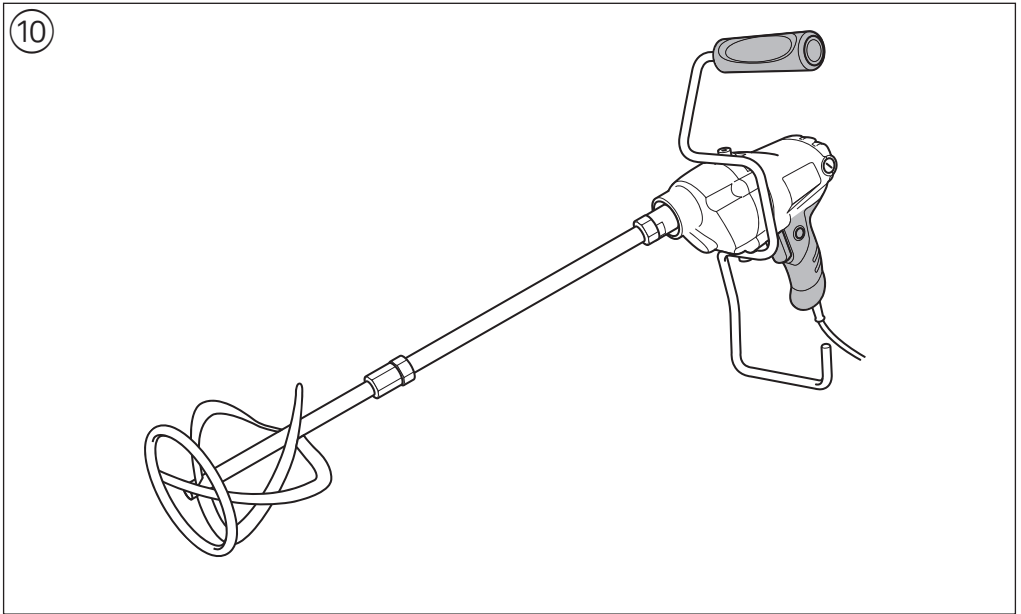
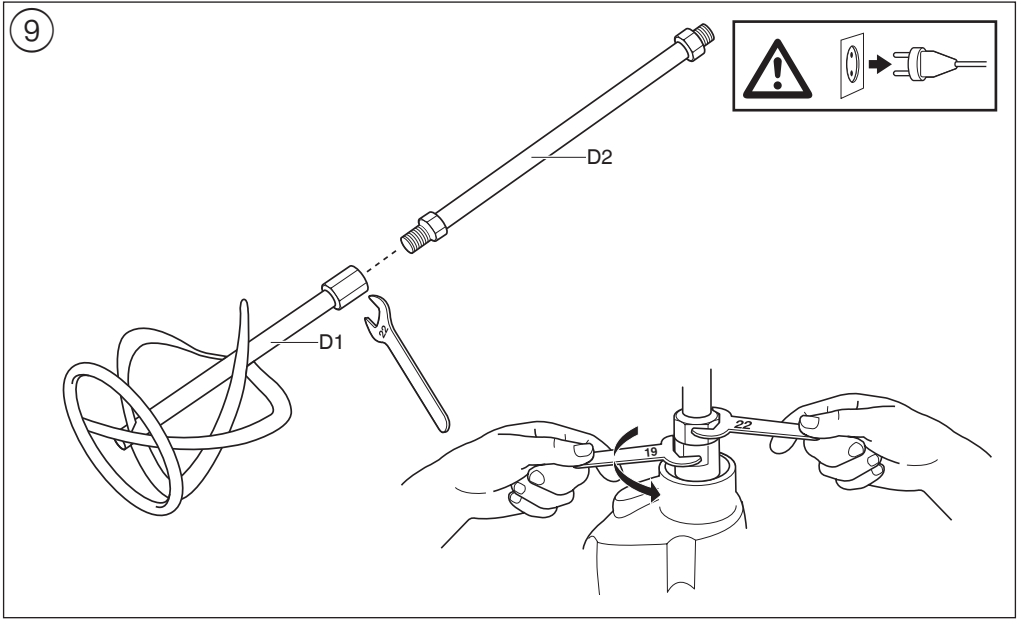


7



8





ACCESSORIES



WWW.SKIL.COM

Mixer

1608

INTRODUCTION

- This electronic mixer is intended for easily and simply mixing substances
- With various mixing paddles a variety of substances (different sorts of cement blends, construction glues, paints, levelling compounds, finishing and dry mortar, etc.) can be mixed
- The recommended blending volume depends on the type and state of the substance to be mixed, and the type of paddle used
- Do not mix more than 40 litres of a substance at one time
- This tool is not intended for professional use
- Read and save this instruction manual ③

TECHNICAL DATA ①

TOOL ELEMENTS ②

- A Switch for on/off and speed control
- B Button for switch locking
- C Protection frame
- D Mixing paddle
- E Spindle
- F Ventilation slots
- G Wrench (2)
- H Hex key

SAFETY

GENERAL POWER TOOL SAFETY WARNINGS

⚠ WARNING Read all safety warnings, instructions, illustrations and specifications provided with this power tool. Failure to follow all instructions listed below may result in electric shock, fire and/or serious injury.

Save all warnings and instructions for future reference.

The term "power tool" in the warnings refers to your mains-operated (corded) power tool or battery-operated (cordless) power tool.

1) WORK AREA SAFETY

- a) **Keep work area clean and well lit.** Cluttered or dark areas invite accidents.
- b) **Do not operate power tools in explosive atmospheres, such as in the presence of flammable liquids, gases or dust.** Power tools create sparks which may ignite the dust or fumes.
- c) **Keep children and bystanders away while operating a power tool.** Distractions can cause you to lose control.

2) ELECTRICAL SAFETY

- a) **Power tool plugs must match the outlet. Never modify the plug in any way. Do not use any adapter plugs with earthed (grounded) power tools.** Unmodified plugs and matching outlets will reduce risk of electric shock.
- b) **Avoid body contact with earthed or grounded surfaces such as pipes, radiators, ranges and refrigerators.** There is an increased risk of electric shock if your body is earthed or grounded.

- c) **Do not expose power tools to rain or wet conditions.** Water entering a power tool will increase the risk of electric shock.
 - d) **Do not abuse the cord. Never use the cord for carrying, pulling or unplugging the power tool. Keep cord away from heat, oil, sharp edges or moving parts.** Damaged or entangled cords increase the risk of electric shock.
 - e) **When operating a power tool outdoors, use an extension cord suitable for outdoor use.** Use of a cord suitable for outdoor use reduces the risk of electric shock.
 - f) **If operating a power tool in a damp location is unavoidable, use a residual current device (RCD) protected supply.** Use of an RCD reduces the risk of electric shock.
- ### 3) PERSONAL SAFETY
- a) **Stay alert, watch what you are doing and use common sense when operating a power tool. Do not use a power tool while you are tired or under the influence of drugs, alcohol or medication.** A moment of inattention while operating power tools may result in serious personal injury.
 - b) **Use personal protective equipment. Always wear eye protection.** Protective equipment such as a dust mask, non-skid safety shoes, hard hat, or hearing protection used for appropriate conditions will reduce personal injuries.
 - c) **Prevent unintentional starting. Ensure the switch is in the off-position before connecting to power source and/or battery pack, picking up or carrying the tool.** Carrying power tools with your finger on the switch or energising power tools that have the switch on invites accidents.
 - d) **Remove any adjusting key or wrench before turning the power tool on.** A wrench or a key left attached to a rotating part of the power tool may result in personal injury.
 - e) **Do not overreach. Keep proper footing and balance at all times.** This enables better control of the power tool in unexpected situations.
 - f) **Dress properly. Do not wear loose clothing or jewellery. Keep your hair and clothing away from moving parts.** Loose clothes, jewellery or long hair can be caught in moving parts.
 - g) **If devices are provided for the connection of dust extraction and collection facilities, ensure these are connected and properly used.** Use of dust collection can reduce dust-related hazards.
 - h) **Do not let familiarity gained from frequent use of tools allow you to become complacent and ignore tool safety principles.** A careless action can cause severe injury within a fraction of a second.
- ### 4) POWER TOOL USE AND CARE
- a) **Do not force the power tool. Use the correct power tool for your application.** The correct power tool will do the job better and safer at the rate for which it was designed.
 - b) **Do not use the power tool if the switch does not turn it on and off.** Any power tool that cannot be controlled with the switch is dangerous and must be repaired.
 - c) **Disconnect the plug from the power source and/or remove the battery pack, if detachable, from**

the power tool before making any adjustments, changing accessories, or storing power tools. Such preventive safety measures reduce the risk of starting the power tool accidentally.

- d) **Store idle power tools out of the reach of children and do not allow persons unfamiliar with the power tool or these instructions to operate the power tool.** Power tools are dangerous in the hands of untrained users.
 - e) **Maintain power tools and accessories. Check for misalignment or binding of moving parts, breakage of parts and any other condition that may affect the power tool's operation. If damaged, have the power tool repaired before use.** Many accidents are caused by poorly maintained power tools.
 - f) **Keep cutting tools sharp and clean.** Properly maintained cutting tools with sharp cutting edges are less likely to bind and are easier to control.
 - g) **Use the power tool, accessories and tool bits etc., in accordance with these instructions, taking into account the working conditions and the work to be performed.** Use of the power tool for operations different from those intended could result in a hazardous situation.
 - h) **Keep handles and grasping surfaces dry, clean and free from oil and grease.** Slippery handles and grasping surfaces do not allow for safe handling and control of the tool in unexpected situations.
- 5) SERVICE**
- a) **Have your power tool serviced by a qualified repair person using only identical replacement parts.** This will ensure that the safety of the power tool is maintained.

SAFETY INSTRUCTIONS FOR MIXERS

- a) **Hold the tool with both hands at the intended handles.** Loss of control can cause personal injury.
- b) **Ensure sufficient ventilation when mixing flammable materials to avoid a hazardous atmosphere.** Developing vapour may be inhaled or be ignited by the sparks the power tool produces.
- c) **Do not mix food.** Power tools and their accessories are not designed for processing food.
- d) **Keep the cord away from the working area.** The cord may be entangled by the mixer paddle.
- e) **Ensure that the mixing container is placed in a firm and secure position.** A container that is not properly secured may move unexpectedly.
- f) **Ensure that no liquid splashes against the housing of the power tool.** Liquid that has penetrated the power tool can cause damage and lead to electric shock.
- g) **Follow the instructions and warnings for the material to be mixed.** Material to be mixed may be harmful.
- h) **If the power tool falls into the material to be mixed, unplug the tool immediately and have the power tool checked by a qualified repair person.** Reaching into the bucket with the tool still plugged in can lead to electric shock.
- i) **Do not reach into the mixing container with your hands or insert any other objects into it while mixing.** Contact with the mixer paddle may lead to serious personal injury.

- j) **Start up and run down the tool in the mixing container only.** The mixer paddle may bend or spin in an uncontrolled manner.

ADDITIONAL SAFETY WARNINGS

- Always check that the supply voltage is the same as the voltage indicated on the nameplate of the tool
- Never use the tool when the cord is damaged; it must be replaced by a specially prepared cord available through the service organization.
- Never use the tool in or near an explosive atmosphere
- Never mix combustible substances
- Wear protective gloves, a dust mask, close-fitting clothes and sturdy shoes
- The noise level when working can exceed 85 dB(A); **wear ear protection**
- SKIL can assure flawless functioning of the tool only when original accessories are used
- **Do not use mixer paddle extensions**
- **Always disconnect plug from power source before making any adjustment or changing any accessory**

EXPLANATION OF SYMBOLS ON TOOL

- ③ Read the instruction manual before use
- ④ Double insulation (no earth wire required)
- ⑤ Do not dispose of electric tools and batteries together with household waste material

WHEN CONNECTING NEW 3-PIN PLUG (U.K. ONLY):

- Do not connect the blue (= neutral) or brown (= live) wire in the cord of this tool to the earth terminal of the plug
- If for any reason the old plug is cut off the cord of this tool, it must be disposed of safely and not left unattended

USE

- On/off ⑥
- ! **be aware of the forces that occur as a result of jamming; hold the tool firmly with both hands and take a secure stance**
- Speed control for smooth starting ⑦
- Protection frame ⑧
 - for protecting the tool
 - for guiding the tool
 - for putting aside the tool in a simple way
 - mount protection frame C before using the tool for the first time
- ! **never use the tool without the protection frame**
- Operating the tool
 - ! **ensure that the tool is switched off**
 - mount mixing paddle D onto spindle E as illustrated ⑨
 - connect plug to power source
 - ensure the mixing container is securely positioned on the floor
 - dip the mixing paddle into the blending substance **before switching on the tool**, and then gradually increase the blending speed by putting more pressure on trigger (so that the substance will not splash around and the tool will not be overloaded)
 - ! **switch the tool off only when the mixing paddle is in the mixing container**
- Holding and guiding the tool ⑩
 - ! **while working, always hold the tool at the grey-coloured grip area(s)**
 - ! **always hold the tool firmly with both hands**

MAINTENANCE / SERVICE

- This tool is not intended for professional use
- Always keep tool and cord clean (especially the ventilation slots)
 - always clean the mixer and functional parts after your mixing work
 - clean the tool with a dry, soft cloth (do not use cleaning agents or solvents)
 - clean ventilation slots F ② regularly with a brush or compressed air
- ! **disconnect the plug before cleaning**
- If the tool should fail despite the care taken in manufacturing and testing procedures, repair should be carried out by an after-sales service centre for SKIL power tools
 - send the tool **undismantled** together with proof of purchase to your dealer or the nearest SKIL service station (addresses as well as the service diagram of the tool are listed on www.skil.com)
- Be aware that damage due to overload or improper handling of the tool will be excluded from the warranty (for the SKIL warranty conditions see www.skil.com or ask your dealer)

ENVIRONMENT

- **Do not dispose of electric tools, batteries, accessories and packaging together with household waste material** (only for EU countries)
 - in observance of European Directive 2012/19/EC on waste of electric and electronic equipment and its implementation in accordance with national law, electric tools that have reached the end of their life must be collected separately and returned to an environmentally compatible recycling facility
 - symbol ⑤ will remind you of this when the need for disposing occurs

NOISE / VIBRATION

- Measured in accordance with EN 62841 the sound pressure level of this tool is 83 dB(A) and the sound power level 94 dB(A) (standard deviation: 3 dB), and the vibration 3.3 m/s^2 (triax vector sum; uncertainty $K = 1.5 \text{ m/s}^2$)
- The vibration emission level has been measured in accordance with a standardised test given in EN 62841; it may be used to compare one tool with another and as a preliminary assessment of exposure to vibration when using the tool for the applications mentioned
 - using the tool for different applications, or with different or poorly maintained accessories, may significantly **increase** the exposure level
 - the times when the tool is switched off or when it is running but not actually doing the job, may significantly **reduce** the exposure level
- ! **protect yourself against the effects of vibration by maintaining the tool and its accessories, keeping your hands warm, and organizing your work patterns**

F

Mixeur

1608

INTRODUCTION

- Ce mixeur électronique est destiné à mélanger facilement et simplement des substances
- Différentes palettes permettent de mélanger une grande variété de substances (différents types de mélanges de ciment, colles de construction, peintures, composés de nivellement, mortier de finition et mortier sec, etc.)
- Le volume de mélange recommandé dépend du type et de l'état de la substance à mélanger, et du type de palette utilisée
- Ne pas mélanger plus de 40 litres de substance à la fois
- Cet outil n'est pas conçu pour un usage professionnel
- Lisez et conservez ce manuel d'instruction ③

CARACTERISTIQUES TECHNIQUES ①

ELEMENTS DE L'OUTIL ②

- A Interrupteur de marche/arrêt et réglage de vitesse
- B Bouton de blocage de l'interrupteur
- C Cadre de protection
- D Palette à mélanger
- E Arbre
- F Fentes de ventilation
- G Clé (2)
- H Clé hexagonale

SECURITE

AVERTISSEMENTS DE SECURITE GENERAUX POUR L'OUTIL ELECTRIQUE

AVERTISSEMENT Lisez tous les avertissements de sécurité, toutes les instructions, illustrations et caractéristiques fournies avec cet outil électrique.

Le non-respect du suivi de toutes les instructions reprises ci-dessous peut provoquer un électrochoc, un incendie et/ou des blessures graves.

Conservez tous les avertissements et toutes les instructions pour pouvoir s'y reporter ultérieurement.

Le terme "outil électrique" dans les avertissements se rapporte à des outils électriques raccordés au secteur (avec câble de raccordement) et à des outils électriques à batterie (sans câble de raccordement).

1) SECURITE DE LA ZONE DE TRAVAIL

- a) **Maintenez l'endroit de travail propre et bien éclairé.**
Un lieu de travail en désordre ou mal éclairé augmente le risque d'accidents.
- b) **N'utilisez pas l'outil électrique dans un environnement présentant des risques d'explosion et où se trouvent des liquides, des gaz ou poussières inflammables.** Les outils électriques génèrent des étincelles risquant d'enflammer les poussières ou les vapeurs.

- c) **Tenez les enfants et autres personnes éloignés durant l'utilisation de l'outil électrique.** En cas d'inattention vous risquez de perdre le contrôle sur l'outil électrique.
- 2) **SECURITE RELATIVE AU SYSTEME ELECTRIQUE**
- a) **La fiche de secteur de l'outil électrique doit être appropriée à la prise de courant. Ne modifiez en aucun cas la fiche. N'utilisez pas de fiches d'adaptateur avec des outils électriques avec mise à la terre.** Les fiches non modifiées et les prises de courant appropriées réduisent le risque de choc électrique.
- b) **Evitez le contact physique avec des surfaces mises à la terre telles que tuyaux, radiateurs, fours et réfrigérateurs.** Il y a un risque élevé de choc électrique au cas où votre corps serait relié à la terre.
- c) **N'exposez pas l'outil électrique à la pluie ou à l'humidité.** La pénétration d'eau dans un outil électrique augmente le risque d'un choc électrique.
- d) **N'utilisez pas le câble à d'autres fins que celles prévues, n'utilisez pas le câble pour porter l'outil électrique ou pour l'accrocher ou encore pour le débrancher de la prise de courant. Maintenez le câble éloigné des sources de chaleur, des parties grasses, des bords tranchants ou des parties de l'outil électrique en rotation.** Un câble endommagé ou torsadé augmente le risque d'un choc électrique.
- e) **Au cas où vous utiliseriez l'outil électrique à l'extérieur, utilisez une rallonge autorisée homologuée pour les applications extérieures.** L'utilisation d'une rallonge électrique homologuée pour les applications extérieures réduit le risque d'un choc électrique.
- f) **Si l'usage d'un outil dans un emplacement humide est inévitable, utilisez un disjoncteur de fuite à la terre.** L'utilisation d'un disjoncteur de fuite à la terre réduit le risque de choc électrique.
- 3) **SECURITE DES PERSONNES**
- a) **Restez vigilant, surveillez ce que vous faites. Faites preuve de bon sens en utilisant l'outil électrique. N'utilisez pas l'outil électrique lorsque vous êtes fatigué ou après avoir consommé de l'alcool, des drogues ou avoir pris des médicaments.** Un moment d'inattention lors de l'utilisation de l'outil électrique peut entraîner de graves blessures sur les personnes.
- b) **Portez des équipements de protection. Portez toujours des lunettes de protection.** Le fait de porter des équipements de protection personnels tels que masque anti-poussières, chaussures de sécurité antidérapantes, casque de protection ou protection acoustique suivant le travail à effectuer, réduit le risque de blessures.
- c) **Evitez tout démarrage intempestif. S'assurez que l'interrupteur est en position arrêt avant de brancher l'outil au secteur et/ou au bloc de batteries, de le ramasser ou de le porter.** Porter les outils en ayant le doigt sur l'interrupteur ou brancher des outils dont l'interrupteur est en position marche est source d'accidents.
- d) **Enlevez tout outil de réglage ou toute clé avant de mettre l'outil électrique en fonctionnement.** Une clé ou un outil se trouvant sur une partie en rotation peut causer des blessures.
- e) **Ne surestimez pas vos capacités. Veillez à garder toujours une position stable et équilibrée.** Ceci vous permet de mieux contrôler l'outil électrique dans des situations inattendues.
- f) **Portez des vêtements appropriés. Ne portez pas de vêtements amples ni de bijoux. Gardez les cheveux et les vêtements à distance des parties en mouvement.** Des vêtements amples, des bijoux ou des cheveux longs peuvent être happés par des pièces en mouvement.
- g) **Si des dispositifs servant à aspirer ou à recueillir les poussières doivent être utilisés, vérifiez que ceux-ci soient effectivement raccordés et qu'ils sont correctement utilisés.** L'utilisation des collecteurs de poussière réduit les dangers dus aux poussières.
- h) **Restez vigilant et ne pas négliger les principes de sécurité de l'outil sous prétexte que vous avez l'habitude de l'utiliser.** Une fraction de seconde d'inattention peut provoquer une blessure grave.
- 4) **UTILISATION ET EMPLOI SOIGNEUX DE L'OUTIL ELECTRIQUE**
- a) **Ne surchargez pas l'outil électrique. Utilisez l'outil électrique approprié au travail à effectuer.** Avec l'outil électrique approprié, vous travaillerez mieux et avec plus de sécurité à la vitesse pour laquelle il est prévu.
- b) **N'utilisez pas un outil électrique dont l'interrupteur est défectueux.** Un outil électrique qui ne peut plus être mis en ou hors fonctionnement est dangereux et doit être réparé.
- c) **Débranchez la fiche de la source d'alimentation et/ou enlevez le bloc de batteries, s'il est amovible, avant tout réglage, changement d'accessoires ou avant de ranger l'outil électrique.** De telles mesures de sécurité préventives réduisent le risque de démarrage accidentel de l'outil électrique.
- d) **Gardez les outils électriques non utilisés hors de portée des enfants. Ne permettez pas l'utilisation de l'outil électrique à des personnes qui ne se sont pas familiarisées avec celui-ci ou qui n'ont pas lu ces instructions.** Les outils électriques sont dangereux lorsqu'ils sont utilisés par des personnes non initiées.
- e) **Observez la maintenance des outils électriques et des accessoires. Vérifiez que les parties en mouvement fonctionnent correctement et qu'elles ne soient pas coincées, et contrôlez si des parties sont cassées ou endommagées de telle sorte que le bon fonctionnement de l'outil électrique s'en trouve entravé. Faites réparer les parties endommagées avant d'utiliser l'outil électrique.** De nombreux accidents sont dus à des outils électriques mal entretenus.
- f) **Maintenez les outils de coupe aiguisés et propres.** Des outils soigneusement entretenus avec des bords tranchants bien aiguisés se coincent moins souvent et peuvent être guidés plus facilement.
- g) **Utilisez l'outil électrique, les accessoires, les outils à monter etc. conformément à ces instructions. Tenez compte également des conditions de travail et du travail à effectuer.** L'utilisation de l'outil électrique à d'autres fins que celles prévues peut entraîner des situations dangereuses.
- h) **Il faut que les poignées et les surfaces de préhension restent sèches, propres et dépourvues**

d'huiles et de graisses. Des poignées et des surfaces de préhension glissantes rendent impossibles la manipulation et le contrôle en toute sécurité de l'outil dans les situations inattendues.

5) SERVICE

- a) **Ne faites réparer votre outil électrique que par un personnel qualifié et seulement avec des pièces de rechange d'origine.** Ceci permet d'assurer la sécurité de l'outil électrique.

INSTRUCTIONS DE SECURITE POUR LES MIXEURS

- a) **Maintenez l'outil à deux mains en utilisant les poignées prévues à cet effet.** La perte de contrôle peut entraîner des blessures.
- b) **Veillez à ce que la ventilation soit suffisante lorsque vous mélangez des matières inflammables afin d'éviter la création d'atmosphères dangereuses.** Les vapeurs libérées pourraient être inhalées ou allumées par les étincelles produites par l'outil électrique.
- c) **Ne mélangez pas d'aliments.** Les outils électriques et leurs accessoires ne sont pas prévus pour traiter des aliments.
- d) **Tenez le cordon à l'écart de la zone de travail.** Le cordon pourrait s'emmêler avec la palette mélangeuse.
- e) **Assurez-vous que le récipient où le mélange est préparé est placé sur un support solide et sécurisé.** Un récipient mal placé pourrait bouger brusquement.
- f) **Évitez de projeter des liquides contre le boîtier de l'outil électrique.** Tout liquide pénétrant dans l'outil électrique peut provoquer des dégâts et entraîner un choc électrique.
- g) **Suivez les instructions et avertissements relatifs aux matières qui doivent être mélangées.** Les matières qui doivent être mélangées peuvent être nocives.
- h) **Si l'outil électrique tombe dans les matières qui doivent être mélangées, débranchez-le immédiatement du secteur et faites-le contrôler par un réparateur qualifié.** Mettre la main dans le récipient pour récupérer l'outil qui y est tombé peut entraîner un choc électrique.
- i) **Ne mettez jamais la main ou d'autres outils dans le récipient pendant que vous mélangez.** Tout contact avec la palette mélangeuse peut entraîner de graves blessures.
- j) **Ne démarrez et ne faites fonctionner l'outil que dans le récipient.** La palette mélangeuse pourrait commencer à tourner de façon incontrôlée.

AVERTISSEMENTS DE SECURITE SUPPLEMENTAIRES

- Contrôlez toujours si la tension secteur correspond à la tension indiquée sur la plaquette signalétique de l'outil
- N'utilisez jamais l'outil si le cordon d'alimentation est endommagé, il doit être remplacé par un cordon spécialement préparé disponible par le biais du service d'assistance.
- N'utilisez jamais l'outil dans ou près d'un environnement explosif
- Ne mélangez jamais des substances combustibles
- Portez des gants de protection, un masque antipoussières, des vêtements près du corps et des chaussures solides
- Le niveau sonore en fonctionnement peut dépasser 85 dB(A); **munissez-vous de casques anti-bruit**

- SKIL ne peut se porter garant du bon fonctionnement de cet outil que s'il a été utilisé avec les accessoires d'origine
- **N'utilisez pas de rallonges sur la palette mélangeuse**
- **Débranchez toujours l'outil avant tout réglage ou changement d'accessoire**

EXPLICATION DES SYMBOLES SUR L'OUTIL

- ③ Veuillez lire le mode d'emploi avant d'utiliser l'outil
- ④ Double-isolation (ne nécessite pas de mise à la terre)
- ⑤ Ne jetez pas les outils électriques et les piles dans les ordures ménagères

UTILISATION

- Marche/arrêt ⑥
! assurez-vous des forces en jeu consécutives au blocage; tenez l'outil fermement dans les deux mains et adoptez une position de travail stable et sûre
- Réglage de la vitesse pour démarrage doux ⑦
- Cadre de protection ⑧
 - pour protéger l'outil
 - pour guider l'outil
 - pour mettre de côté l'outil de façon simple
 - montez le cadre de protection C avant d'utiliser l'outil pour la première fois**! n'utilisez jamais l'outil sans le cadre de protection**
- Utilisation de l'outil
! veillez à ce que l'outil soit hors tension
 - montez la palette à mélanger D sur la broche E comme illustré ⑨
 - branchez l'outil sur le secteur
 - assurez-vous que le conteneur de mélange soit bien stable sur le sol
 - plongez la palette à mélanger dans le mélange de substance **avant d'allumer l'outil**, puis augmentez progressivement la vitesse de mélange en exerçant une plus forte pression sur le commutateur (ce faisant, la substance ne va pas éclabousser et l'outil ne sera pas surchargé)**! éteignez l'outil uniquement lorsque la palette à mélanger se trouve dans le conteneur de mélange**
- Tenue et guidage de l'outil ⑩
! lorsque vous travaillez, tenez toujours l'outil par la(les) zone(s) de couleur grise
! toujours tenez fermement l'outil à l'aide des deux mains

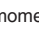
ENTRETIEN / SERVICE APRES-VENTE

- Cet outil n'est pas conçu pour un usage professionnel
- Gardez toujours votre outil et le câble propres (spécialement les aérations)
 - après un mélange, nettoyez toujours le mixeur et les pièces fonctionnelles
 - pour nettoyer l'outil, utilisez un chiffon sec et doux (n'utilisez jamais de produit de nettoyage ou de solvant)
 - nettoyez régulièrement les fentes d'aération F ② à l'aide d'une brosse ou d'air comprimé**! débranchez la fiche avant le nettoyage**
- Si, malgré tous les soins apportés à la fabrication et au contrôle de l'outil, celui-ci devait avoir un défaut, la réparation ne doit être confiée qu'à une station de

service après-vente agréée pour outillage SKIL

- retournez l'outil **non démonté** avec votre preuve d'achat au revendeur ou au centre de service après-vente SKIL le plus proche (les adresses ainsi que la vue éclatée de l'outil figurent sur www.skil.com)
- Veuillez noter que tout dégât causé par une surcharge ou une mauvaise utilisation de l'outil ne sera pas couvert par la garantie (pour connaître les conditions de la garantie SKIL, surfez sur www.skil.com ou adressez-vous à votre revendeur)

ENVIRONNEMENT

- **Ne jetez pas les outils électriques, les piles, les accessoires et l'emballage dans les ordures ménagères** (pour les pays européens uniquement)
 - conformément à la directive européenne 2012/19/EG relative aux déchets d'équipements électriques ou électroniques, et à sa transposition dans la législation nationale, les outils électriques usés doivent être collectés séparément et faire l'objet d'un recyclage respectueux de l'environnement
 - le symbole  vous le rappellera au moment de la mise au rebut de l'outil



BRUIT / VIBRATION

- Mesuré selon EN 62841 le niveau de la pression sonore de cet outil est 83 dB(A) et le niveau de la puissance sonore 94 dB(A) (déviations standard: 3 dB), et la vibration 3,3 m/s² (somme vectorielle des trois axes directionnels; incertitude K = 1,5 m/s²)
 - Le niveau de vibrations émises a été mesuré conformément à l'essai normalisé de la norme EN 62841; il peut être utilisé pour comparer plusieurs outils et pour réaliser une évaluation préliminaire de l'exposition aux vibrations lors de l'utilisation de l'outil pour les applications mentionnées
 - l'utilisation de l'outil dans d'autres applications, ou avec des accessoires différents ou mal entretenus, peut considérablement **augmenter** le niveau d'exposition
 - la mise hors tension de l'outil et sa non-utilisation pendant qu'il est allumé peuvent considérablement **réduire** le niveau d'exposition
- ! protégez-vous contre les effets des vibrations par un entretien correct de l'outil et de ses accessoires, en gardant vos mains chaudes et en structurant vos schémas de travail**


D

Mischer

1608

EINLEITUNG

- Dieses elektronische Mischgerät wurde für das einfache Mischen von Substanzen konzipiert

- Durch verschiedene Schaufeln können verschiedenste Substanzen (unterschiedliche Zementmischungen, Baukleber, Farben, Glättmassen, trockener Mörtel usw.) gemischt werden
- Das empfohlene Mischungsvolumen hängt von der Art und dem Zustand der zu mischenden Substanz, und der Art der verwendeten Schaufel ab
- Mischen Sie nicht mehr als 40 Liter auf einmal
- Dieses Werkzeug eignet sich nicht für den professionellen Einsatz
- Bitte diese Bedienungsanleitung sorgfältig lesen und aufbewahren 


TECHNISCHE DATEN

WERKZEUGKOMPONENTEN

- A Schalter zum Ein-Aus-Schalten und zur Drehzahlregelung
- B Knopf zum Feststellen des Schalters
- C Schutzbügel
- D Mischschaufel
- E Spindel
- F Lüftungsschlitze
- G Schlüssel (2)
- H Sechskantschlüssel

SICHERHEIT

ALLGEMEINE SICHERHEITSHINWEISE FÜR ELEKTROWERKZEUGE

 **WARNUNG Lesen Sie alle Sicherheitshinweise, Anweisungen, Abbildungen und technischen Daten dieses Elektrogeräts.** Die Nichtbeachtung der nachfolgenden Anweisungen kann zu Stromschlägen, Bränden bzw. ernsthaften Verletzungen führen.

Bewahren Sie alle Sicherheitshinweise und Anweisungen für die Zukunft auf.

Der in den Sicherheitshinweisen verwendete Begriff "Elektrowerkzeug" bezieht sich auf netzbetriebene Elektrowerkzeuge (mit Netzkabel) und auf akkubetriebene Elektrowerkzeuge (ohne Netzkabel).

1) ARBEITSPLATZSICHERHEIT

- a) **Halten Sie Ihren Arbeitsbereich sauber und gut beleuchtet.** Unordnung oder unbeleuchtete Arbeitsbereiche können zu Unfällen führen.
- b) **Arbeiten Sie mit dem Elektrowerkzeug nicht in explosionsgefährdeter Umgebung, in der sich brennbare Flüssigkeiten, Gase oder Stäube befinden.** Elektrowerkzeuge erzeugen Funken, die den Staub oder die Dämpfe entzünden können.
- c) **Halten Sie Kinder und andere Personen während der Benutzung des Elektrowerkzeuges fern.** Bei Ablenkung können Sie die Kontrolle über das Elektrowerkzeug verlieren.

2) ELEKTRISCHE SICHERHEIT

- a) **Der Anschlussstecker des Elektrowerkzeuges muss in die Steckdose passen. Der Stecker darf in keiner Weise verändert werden. Verwenden Sie keine Adapterstecker gemeinsam mit geschützten Elektrowerkzeugen.** Unveränderte Stecker und

passende Steckdosen verringern das Risiko eines elektrischen Schlages.

- b) **Vermeiden Sie Körperkontakt mit geerdeten Oberflächen, wie von Rohren, Heizungen, Herden und Kühlschränken.** Es besteht ein erhöhtes Risiko durch elektrischen Schlag, wenn Ihr Körper geerdet ist.
- c) **Halten Sie das Elektrowerkzeug von Regen oder Nässe fern.** Das Eindringen von Wasser in ein Elektrogerät erhöht das Risiko eines elektrischen Schlages.
- d) **Zweckfremden Sie das Kabel nicht, um das Elektrowerkzeug zu tragen, aufzuhängen oder um den Stecker aus der Steckdose zu ziehen. Halten Sie das Kabel fern von Hitze, Öl, scharfen Kanten oder sich bewegenden Elektrowerkzeugteilen.** Beschädigte oder verwickelte Kabel erhöhen das Risiko eines elektrischen Schlages.
- e) **Wenn Sie mit einem Elektrowerkzeug im Freien arbeiten, verwenden Sie nur Verlängerungskabel, die auch für den Außenbereich zugelassen sind.** Die Anwendung eines für den Außenbereich geeigneten Verlängerungskabels verringert das Risiko eines elektrischen Schlages.
- f) **Wenn der Betrieb des Elektrowerkzeuges in feuchter Umgebung nicht vermeidbar ist, verwenden Sie einen Fehlerstromschutzschalter.** Der Einsatz eines Fehlerstromschutzschalters vermindert das Risiko eines elektrischen Schlages.

3) SICHERHEIT VON PERSONEN

- a) **Seien Sie aufmerksam, achten Sie darauf, was Sie tun, und gehen Sie mit Vernunft in die Arbeit mit einem Elektrowerkzeug. Benutzen Sie das Elektrowerkzeug nicht, wenn Sie müde sind oder unter dem Einfluss von Drogen, Alkohol oder Medikamenten stehen.** Ein Moment der Unachtsamkeit beim Gebrauch des Elektrowerkzeuges kann zu ernsthaften Verletzungen führen.
 - b) **Tragen Sie persönliche Schutzausrüstung und immer eine Schutzbrille.** Das Tragen persönlicher Schutzausrüstung, wie Staubmaske, rutschfeste Sicherheitsschuhe, Schutzhelm oder Gehörschutz, je nach Art und Einsatz des Elektrowerkzeuges, verringert das Risiko von Verletzungen.
 - c) **Vermeiden Sie eine unbeabsichtigte Inbetriebnahme. Vergewissern Sie sich, dass das Elektrowerkzeug ausgeschaltet ist, bevor Sie es an die Stromversorgung und/oder den Akku anschließen, es aufnehmen oder tragen.** Wenn Sie beim Tragen des Elektrowerkzeuges den Finger am Schalter haben oder das Elektrowerkzeug eingeschaltet an die Stromversorgung anschließen, kann dies zu Unfällen führen.
 - d) **Entfernen Sie Einstellwerkzeuge oder Schraubenschlüssel, bevor Sie das Elektrowerkzeug einschalten.** Ein Werkzeug oder Schlüssel, der sich in einem drehenden Elektrowerkzeugeteil befindet, kann zu Verletzungen führen.
 - e) **Überschätzen Sie sich nicht. Sorgen Sie für einen sicheren Stand und halten Sie jederzeit das Gleichgewicht.** Dadurch können Sie das Elektrowerkzeug in unerwarteten Situationen besser kontrollieren.
 - f) **Tragen Sie geeignete Kleidung. Tragen Sie keine weite Kleidung oder Schmuck. Halten Sie Haare und Kleidung fern von sich bewegenden Teilen.** Lockere Kleidung, Schmuck oder lange Haare können von sich bewegenden Teilen erfasst werden.
 - g) **Wenn Staubabsaug- und -auffangeinrichtungen montiert werden können, vergewissern Sie sich, dass diese angeschlossen sind und richtig verwendet werden.** Verwendung einer Staubabsaugung verringert Gefährdungen durch Staub.
 - h) **Wiegen Sie sich nicht in falscher Sicherheit und setzen Sie sich nicht über die Sicherheitsregeln für Elektrowerkzeuge hinweg, auch wenn Sie nach vielfachem Gebrauch mit dem Elektrowerkzeug vertraut sind.** Achtloses Handeln kann binnen Sekundenbruchteilen zu schweren Verletzungen führen.
- #### 4) SORGFÄLTIGER UMGANG UND GEBRAUCH VON ELEKTROWERKZEUGEN
- a) **Überlasten Sie das Elektrowerkzeug nicht. Verwenden Sie für Ihre Arbeit das dafür bestimmte Elektrowerkzeug.** Mit dem passenden Elektrowerkzeug arbeiten Sie besser und sicherer im angegebenen Leistungsbereich.
 - b) **Benutzen Sie kein Elektrowerkzeug, dessen Schalter defekt ist.** Ein Elektrowerkzeug, das sich nicht mehr ein- oder ausschalten lässt, ist gefährlich und muss repariert werden.
 - c) **Ziehen Sie den Stecker aus der Steckdose und/oder entfernen Sie einen abnehmbaren Akku, bevor Sie Geräteeinstellungen vornehmen, Zubehörteile wechseln oder das Elektrowerkzeug weglegen.** Diese Vorsichtsmaßnahme verhindert den unbeabsichtigten Start des Elektrowerkzeuges.
 - d) **Bewahren Sie unbenutzte Elektrowerkzeuge außerhalb der Reichweite von Kindern auf. Lassen Sie Personen das Elektrowerkzeug nicht benutzen, die mit diesem nicht vertraut sind oder diese Anweisungen nicht gelesen haben.** Elektrowerkzeuge sind gefährlich, wenn Sie von unerfahrenen Personen benutzt werden.
 - e) **Pflegen Sie Elektrowerkzeuge und Zubehör mit Sorgfalt. Kontrollieren Sie, ob bewegliche Elektrowerkzeugteile einwandfrei funktionieren und nicht klemmen, ob Teile gebrochen oder so beschädigt sind, dass die Funktion des Elektrowerkzeuges beeinträchtigt ist. Lassen Sie beschädigte Teile vor dem Einsatz des Elektrowerkzeuges reparieren.** Viele Unfälle haben ihre Ursache in schlecht gewarteten Elektrowerkzeugen.
 - f) **Halten Sie Schneidwerkzeuge scharf und sauber.** Sorgfältig gepflegte Schneidwerkzeuge mit scharfen Schneidkanten verklemmen sich weniger und sind leichter zu führen.
 - g) **Verwenden Sie Elektrowerkzeuge, Zubehör, Einsatzwerkzeuge usw. entsprechend diesen Anweisungen. Berücksichtigen Sie dabei die Arbeitsbedingungen und die auszuführende Tätigkeit.** Der Gebrauch von Elektrowerkzeugen für andere als die vorgesehenen Anwendungen kann zu gefährlichen Situationen führen.
 - h) **Halten Sie Griffe und Griffflächen trocken, sauber und frei von Öl und Fett.** Rutschige Griffe und Griffflächen erlauben keine sichere Bedienung und

Kontrolle des Elektrowerkzeuges in unvorhergesehenen Situationen.

5) SERVICE

- a) **Lassen Sie Ihr Elektrowerkzeug nur von qualifiziertem Fachpersonal und nur mit Original-Ersatzteilen reparieren.** Damit wird sichergestellt, dass die Sicherheit des Elektrowerkzeuges erhalten bleibt.

SICHERHEITSHINWEISE FÜR MISCHGERÄTE

- a) **Halten Sie das Werkzeug mit beiden Händen an den dafür vorgesehenen Griffen fest.** Ein Kontrollverlust kann zu Verletzungen führen.
- b) **Sorgen Sie beim Mischen von brennbaren Materialien für ausreichende Belüftung, um eine gefährliche Atmosphäre zu vermeiden.** Freigesetzte Dämpfe können eingeatmet oder durch die vom Elektrowerkzeug erzeugten Funken entzündet werden.
- c) **Keine Lebensmittel mischen.** Die Elektrowerkzeuge und ihr Zubehör sind nicht für die Lebensmittelverarbeitung geeignet.
- d) **Halten Sie das Stromkabel vom Arbeitsbereich fern.** Das Kabel könnte sich in den Mischerpaddeln verfangen.
- e) **Achten Sie darauf, dass der Mischbehälter fest und sicher steht.** Ein Behälter, der nicht ordnungsgemäß gesichert ist, kann sich unerwartet bewegen.
- f) **Achten Sie darauf, dass keine Flüssigkeiten gegen das Gehäuse des Elektrowerkzeugs spritzen.** Flüssigkeiten, die in das Elektrowerkzeug eindringen, können Schäden verursachen und zu einem Stromschlag führen.
- g) **Folgendes Sie den Anweisungen und beachten Sie die Warnhinweise für das zu mischende Material.** Das Mischmaterial kann schädlich sein.
- h) **Wenn das Elektrowerkzeug in das zu mischende Material fällt, ziehen Sie sofort den Netzstecker und lassen Sie das Elektrowerkzeug von einer qualifizierten Reparaturkraft überprüfen.** Greifen Sie nicht in den Eimer, wenn das Werkzeug noch mit der Stromquelle verbunden ist, da dies einen Stromschlag zur Folge haben kann.
- i) **Greifen Sie beim Mischen nicht mit den Händen in den Mischbehälter und stecken Sie keine anderen Gegenstände hinein.** Ein Kontakt mit dem Mischerpaddel kann zu schweren Verletzungen führen.
- j) **Nehmen und halten Sie das Gerät nur im Mischbehälter in Betrieb.** Die Mischerpaddel können sich unkontrolliert verbiegen oder drehen.

ZUSÄTZLICHE SICHERHEITSHINWEISE

- Stets nachprüfen, daß die Netzspannung mit der auf dem Typenschild des Werkzeuges angegebenen Spannung übereinstimmt
- Verwenden Sie das Werkzeug niemals, wenn das Kabel beschädigt ist; es muss durch ein speziell vorbereitetes Kabel ersetzt werden, das über die Serviceorganisation erhältlich ist.
- Das Gerät nicht in oder in der Nähe einer explosionsgefährdeten Umgebung benutzen
- Niemals brennbare Substanzen mischen
- Tragen Sie Schutzhandschuhe, eine Staubmaske, enganliegende Kleidung und robuste Schuhe
- Der Geräuschpegel beim Arbeiten kann 85 dB(A) überschreiten; **Gehörschutz tragen**

- SKIL kann nur dann die einwandfreie Funktion des Werkzeuges zusichern, wenn Original-Zubehör verwendet wird
- **Verwenden Sie keine Mischerpaddelverlängerungen**
- **Ziehen Sie grundsätzlich den Netzstecker, bevor Sie beliebige Änderungen an den Einstellungen oder einen Zubehöerwechsel vornehmen**

ERKLÄRUNG DER SYMBOLE AUF DEM WERKZEUG

- ③ Die Bedienungsanleitung vor dem Gebrauch lesen
- ④ Doppelte Isolierung (kein Erdleiter erforderlich)
- ⑤ Elektrowerkzeuge und Batterien nicht in den Hausmüll werfen

BEDIENUNG

- Ein-/Aus-Schalten ⑥
! beachten Sie die auftretenden Kräfte beim Blockieren; das Werkzeug mit beiden Händen festhalten und einen sicheren Stand einnehmen
- Drehzahlregulierung für Sanftanlauf ⑦
- Schutzbügel ⑧
 - zum Schutz des Geräts
 - zum Steuern des Geräts
 - zum einfachen Abstellen des Geräts
 - den Schutzbügel C vor dem ersten Gebrauch des Geräts montieren**! das Gerät niemals ohne den Schutzbügel gebrauchen**
- Bedienung des Werkzeuges
! darauf achten, dass das Gerät abgeschaltet ist
 - die Mischschaufel D wie dargestellt auf die Spindel E montieren ⑨
 - Netzstecker an der Steckdose anschließen
 - sicher stellen, dass der Mischcontainer sicher am Boden steht
 - die Mischschaufel **vor dem Einschalten des Geräts** in die zu mischende Substanz tauchen, und die Mischgeschwindigkeit langsam erhöhen durch Druckzugabe auf den Auslösehebel (sodass die Substanz nicht spritzt und das Gerät nicht überladen wird)**! das Gerät nur ausschalten, wenn sich die Mischschaufel im Mischcontainer befindet**
- Halten und Führen des Werkzeuges ⑩
! Werkzeug beim Arbeiten immer am grauen Griffbereich fassen
! halten Sie das Werkzeug immer mit beiden Händen fest

WARTUNG / SERVICE

- Dieses Werkzeug eignet sich nicht für den professionellen Einsatz
- Halten Sie Werkzeug und Kabel immer sauber (insbesondere die Lüftungsschlitze)
 - den Mischer und die Funktionsteile nach jedem Mischen reinigen
 - das Gerät mit einem trockenen, weichen Tuch reinigen (keine Reinigungs- oder Lösungsmittel verwenden)
 - reinigen Sie die Lüftungsschlitze F ② regelmäßig mit einer Bürste oder Druckluft**! Netzstecker vor dem Säubern ziehen**
- Sollte das Elektrowerkzeug trotz sorgfältiger Herstellungs- und Prüfverfahren einmal ausfallen, ist die

Reparatur von einer autorisierten Kundendienststelle für SKIL-Elektrowerkzeuge ausführen zu lassen

- das Werkzeug **unzerlegt**, zusammen mit dem Kaufbeleg, an den Lieferer oder die nächste SKIL-Vertragswerkstätte senden (die Anschriften so wie die Ersatzteilzeichnung des Werkzeuges finden Sie unter www.skil.com)

- Beachten Sie, dass ein falscher oder unsachgemäßer Gebrauch des Werkzeugs zum Erlöschen der Garantie führt (die SKIL-Garantiebedingungen finden Sie unter www.skil.com oder fragen Sie Ihren Händler)

UMWELT

- **Elektrowerkzeuge, Batterien, Zubehör und Verpackungen nicht in den Hausmüll werfen** (nur für EU-Länder)
 - gemäss Europäischer Richtlinie 2012/19/EG über Elektro- und Elektronik- Altgeräte und Umsetzung in nationales Recht müssen nicht mehr gebrauchsfähige Elektrowerkzeuge getrennt gesammelt und einer umweltgerechten Wiederverwertung zugeführt werden
 - hieran soll Sie Symbol ⑤ erinnern

GERÄUSCH / VIBRATION

- Gemessen gemäß EN 62841 beträgt der Schalldruckpegel dieses Gerätes 83 dB(A) und der Schalleistungspegel 94 dB(A) (Standardabweichung: 3 dB), und die Vibration $3,3 \text{ m/s}^2$ (Vektorsumme dreier Richtungen; Unsicherheit $K = 1,5 \text{ m/s}^2$)
 - Die Vibrationsemissionsstufe wurde mit einem standardisierten Test gemäß EN 62841 gemessen; Sie kann verwendet werden, um ein Werkzeug mit einem anderen zu vergleichen und als vorläufige Beurteilung der Vibrationsexposition bei Verwendung des Werkzeugs für die angegebenen Anwendungszwecke
 - die Verwendung des Werkzeugs für andere Anwendungen oder mit anderem oder schlecht gewartetem Zubehör kann die Expositionsstufe erheblich **erhöhen**
 - Zeiten, zu denen das Werkzeug ausgeschaltet ist, oder wenn es läuft aber eigentlich nicht eingesetzt wird, können die Expositionsstufe erheblich **verringern**
- ! schützen Sie sich vor den Auswirkungen der Vibration durch Wartung des Werkzeugs und des Zubehörs, halten Sie Ihre Hände warm und organisieren Sie Ihren Arbeitsablauf**

NL

Mixer

1608

INTRODUCTIE

- Deze elektronische mixer is bestemd om op eenvoudige wijze stoffen te mengen
- Met de diverse mixschoepen kunt u diverse materialen (verschillende soorten cementsamenstellingen, constructielijmen, verf, egalisatiesamenstellingen, afwerkmortel en droge mortel, etc.) worden gemengd
- Het aanbevolen mengvolume is afhankelijk van het type en de toestand van het te mixen materiaal, en het type schoep dat wordt gebruikt
- Mix niet meer dan 40 liter aan materiaal per keer

- Deze machine is niet bedoeld voor professioneel gebruik
- Lees en bewaar deze gebruiksaanwijzing ③

TECHNISCHE GEGEVENS ①

MACHINE-ELEMENTEN ②

- A Schakelaar voor aan/uit en toerentalregeling
- B Knop voor vastzetten van schakelaar
- C Beschermingsframe
- D Mixschoep
- E As
- F Ventilatie-openingen
- G Sleutel (2)
- H Zeskantsleutel

VEILIGHEID

ALGEMENE VEILIGHEIDSWAARSCHUWINGEN VOOR ELEKTRISCHE GEREEDSCHAPPEN

⚠ WAARSCHUWING Lees alle veiligheidswaarschuwingen, instructies, afbeeldingen en specificaties die met dit elektrische gereedschap zijn meegeleverd. Het niet volgen van alle hieronder genoemde instructies kan elektrische schokken, brand en/of ernstig letsel tot gevolg hebben.

Bewaar alle waarschuwingen en voorschriften voor toekomstig gebruik.

Het in de waarschuwingen gebruikte begrip "elektrisch gereedschap" heeft betrekking op elektrische gereedschappen voor gebruik op het stroomnet (met netsnoer) en op elektrische gereedschappen voor gebruik met een accu (zonder netsnoer).

1) VEILIGHEID VAN DE WERKOMGEVING

- Houd uw werkomgeving schoon en opgeruimd.**
Een rommelige of onverlichte werkomgeving kan tot ongevallen leiden.
- Werk met het gereedschap niet in een omgeving met explosiegevaar waarin zich brandbare vloeistoffen, gassen of stof bevinden.** Elektrische gereedschappen veroorzaken vonken die het stof of de dampen tot ontsteking kunnen brengen.
- Houd kinderen en andere personen tijdens het gebruik van het elektrische gereedschap uit de buurt.** Wanneer u wordt afgeleid, kunt u de controle over het gereedschap verliezen.

2) ELEKTRISCHE VEILIGHEID

- De aansluitstekker van het gereedschap moet in het stopcontact passen. De stekker mag in geen geval worden veranderd. Gebruik geen adapterstekkers in combinatie met geaarde gereedschappen.** Onveranderde stekkers en passende stopcontacten beperken het risico van een elektrische schok.
- Vorkom aanraking van het lichaam met geaarde oppervlakken, bijvoorbeeld van buizen, verwarmingen, fornuizen en koelkasten.** Er bestaat een verhoogd risico door een elektrische schok wanneer uw lichaam geaard is.
- Houd het gereedschap uit de buurt van regen en vocht.** Het binnendringen van water in het elektrische

- gereedschap vergroot het risico van een elektrische schok.
- d) **Gebruik de kabel niet voor een verkeerd doel, om het gereedschap te dragen of op te hangen of om de stekker uit het stopcontact te trekken. Houd de kabel uit de buurt van hitte, olie, scherpe randen en bewegende gereedschapsdelen.** Beschadigde of in de war geraakte kabels vergroten het risico van een elektrische schok.
 - e) **Wanneer u buitenshuis met elektrisch gereedschap werkt, dient u alleen verlengkabels te gebruiken die voor gebruik buitenshuis zijn goedgekeurd.** Het gebruik van een voor gebruik buitenshuis geschikte verlengkabel beperkt het risico van een elektrische schok.
 - f) **Als het gebruik van het elektrische gereedschap in een vochtige omgeving onvermijdelijk is, dient u een aardlekschakelaar te gebruiken.** Het gebruik van een aardlekschakelaar vermindert het risico van een elektrische schok.
- 3) PERSOONLIJKE VEILIGHEID**
- a) **Wees alert, let goed op wat u doet en ga met verstand te werk bij het gebruik van het elektrische gereedschap. Gebruik het gereedschap niet wanneer u moe bent of onder invloed staat van drugs, alcohol of medicijnen.** Een moment van onoplettendheid bij het gebruik van het gereedschap kan tot ernstige verwondingen leiden.
 - b) **Draag persoonlijke beschermende uitrusting en altijd een veiligheidsbril.** Het dragen van persoonlijke beschermende uitrusting zoals een stofmasker, slipvaste werkschoenen, een veiligheidshelm of gehoorbescherming, afhankelijk van de aard en het gebruik van het elektrische gereedschap, vermindert het risico van verwondingen.
 - c) **Voorkom per ongeluk inschakelen. Controleer dat het elektrische gereedschap uitgeschakeld is voordat u de stekker in het stopcontact steekt of de accu aansluit en voordat u het gereedschap oppakt of draagt.** Wanneer u bij het dragen van het elektrische gereedschap uw vinger aan de schakelaar hebt of wanneer u het gereedschap ingeschakeld op de stroomvoorziening aansluit, kan dit tot ongevallen leiden.
 - d) **Verwijder instelgereedschappen of schroefslutels voordat u het gereedschap inschakelt.** Een instelgereedschap of sleutel in een draaiend deel van het gereedschap kan tot verwondingen leiden.
 - e) **Probeer niet ver te reiken. Zorg ervoor dat u stevig staat en steeds in evenwicht blijft.** Daardoor kunt u het gereedschap in onverwachte situaties beter onder controle houden.
 - f) **Draag geschikte kleding. Draag geen loshangende kleding of sieraden. Houd haren en kleding uit de buurt van bewegende delen.** Loshangende kleding, sieraden en lange haren kunnen door bewegende delen worden meegenomen.
 - g) **Wanneer stofzuigings- of stofopvangvoorzieningen kunnen worden gemonteerd, dient u zich ervan te verzekeren dat deze zijn aangesloten en juist worden gebruikt.** Het gebruik van een stofzuiging beperkt het gevaar door stof.
 - h) **Ondanks het feit dat u eventueel heel goed vertrouwd bent met het gebruik van gereedschappen, moet u ervoor zorgen dat u niet nonchalant wordt en veiligheidsvoorschriften voor het gereedschap gaat negeren.** Een onoplettende handeling kan binnen een fractie van een seconde ernstig letsel veroorzaken.
- 4) GEBRUIK EN ONDERHOUD VAN ELEKTRISCHE GEREEDSCHAPPEN**
- a) **Overbelast het gereedschap niet. Gebruik voor uw werkzaamheden het daarvoor bestemde elektrische gereedschap.** Met het passende elektrische gereedschap werkt u beter en veiliger binnen het aangegeven capaciteitsbereik.
 - b) **Gebruik geen elektrisch gereedschap waarvan de schakelaar defect is.** Elektrisch gereedschap dat niet meer kan worden in- of uitgeschakeld, is gevaarlijk en moet worden gerepareerd.
 - c) **Trek de stekker uit het stopcontact en/of neem de accu (indien uitneembaar) uit het elektrische gereedschap voordat u het elektrische gereedschap instelt, accessoires wisselt of het elektrische gereedschap opbergt.** Deze voorzorgsmaatregel voorkomt onbedoeld starten van het elektrische gereedschap.
 - d) **Bewaar niet-gebruikte elektrische gereedschappen buiten bereik van kinderen. Laat het gereedschap niet gebruiken door personen die er niet mee vertrouwd zijn en deze aanwijzingen niet hebben gelezen.** Elektrische gereedschappen zijn gevaarlijk wanneer deze door onervaren personen worden gebruikt.
 - e) **Verzorg het gereedschap zorgvuldig. Controleer of bewegende delen van het gereedschap correct functioneren en niet vastklemmen en of onderdelen zodanig gebroken of beschadigd zijn dat de werking van het gereedschap nadelig wordt beïnvloed. Laat beschadigde delen repareren voordat u het gereedschap gebruikt.** Veel ongevallen hebben hun oorzaak in slecht onderhouden elektrische gereedschappen.
 - f) **Houd snijdende inzetgereedschappen scherp en schoon.** Zorgvuldig onderhouden snijdende inzetgereedschappen met scherpe snijkanten klemmen minder snel vast en zijn gemakkelijker te geleiden.
 - g) **Gebruik elektrische gereedschappen, toebehoren, inzetgereedschappen en dergelijke volgens deze aanwijzingen. Let daarbij op de arbeidsomstandigheden en de uit te voeren werkzaamheden.** Het gebruik van elektrische gereedschappen voor andere dan de voorziene toepassingen kan tot gevaarlijke situaties leiden.
 - h) **Houd handgrepen en greepvlakken droog, schoon en vrij van olie en vet.** Gladde handgrepen en greepvlakken verhinderen dat het gereedschap in onverwachte situaties veilig kan worden gehanteerd en bediend.
- 5) SERVICE**
- a) **Laat het gereedschap alleen repareren door gekwalificeerd en vakkundig personeel en alleen met originele vervangingsonderdelen.** Daarmee wordt gewaarborgd dat de veiligheid van het gereedschap in stand blijft.

VEILIGHEIDSVOORSCHRIFTEN VOOR MIXERS

- a) **Houd het gereedschap met beide handen vast bij de daarvoor bedoelde handgrepen.** Als men de controle verliest kan dit persoonlijk letsel als gevolg hebben.
- b) **Zorg voor voldoende ventilatie bij het mengen van brandbare stoffen om een gevaarlijke atmosfeer te vermijden.** De damp die ontstaat kan worden ingeademd of worden ontstoken door de vonken die het elektrische gereedschap produceert.
- c) **Gebruik het gereedschap niet om voeding te mixen.** Elektrisch gereedschap en de bijbehorende accessoires zijn niet bedoeld voor het verwerken van voedsel.
- d) **Houd het snoer uit de buurt van het werkgebied.** Door de mixschoep kan het snoer in de knoop raken.
- e) **Zorg ervoor dat de mixcontainer stevig en veilig staat.** Een container die niet stevig vast zit kan onverwacht in beweging komen.
- f) **Zorg ervoor dat er geen vloeistof tegen de behuizing van het elektrisch gereedschap spat.** Vloeistof dat het elektrisch gereedschap is binnengedrongen kan schade veroorzaken en leiden tot een elektrische schok.
- g) **Neem de instructies en waarschuwingen in acht voor het materiaal dat moet worden gemixt.** Het te mixen materiaal kan schadelijk zijn.
- h) **Als het elektrisch gereedschap in het te mixen materiaal valt, moet u de stekker onmiddellijk uit het stopcontact halen en het elektrisch gereedschap laten controleren door een gekwalificeerde reparateur.** Reiken in de emmer terwijl de stekker van het gereedschap nog in het stopcontact zit kan een elektrische schok tot gevolg hebben.
- i) **Reik niet met uw handen in de mixcontainer of steek er geen andere objecten in tijdens het mixen.** Aanraking met de mixschoep kan leiden tot ernstig persoonlijk letsel.
- j) **Laat het gereedschap uitsluitend in de mixcontainer opstarten en tot stilstand komen.** De mixschoep kan op onbeheersbare wijze buigen of draaien.

EXTRA VEILIGHEIDSVOORSCHRIFTEN

- Controleer altijd of het voltage, dat vermeld staat op het typeplaatje van de machine, overeenkomt met de netspanning
- Gebruik de machine nooit als het snoer is beschadigd; het moet worden vervangen door een speciaal gemaakt snoer dat verkrijgbaar is via de serviceorganisatie.
- Gebruik de machine nooit in of in de buurt van een explosieve omgeving
- Mix nooit ontvlambare stoffen
- Draag beschermende handschoenen, een stofmasker, nauw sluitende kleding en stevige schoenen
- Tijdens het werken kan het geluidsniveau 85 dB(A) overschrijden; **draag oorbeschermers**
- SKIL kan alleen een correcte werking van de machine garanderen, indien originele accessoires worden gebruikt
- **Maak geen gebruik van verlengingen op de mixschoep**
- **Trek altijd de stekker uit het stopcontact voordat u een instelling verandert of een accessoire verwisselt**

UITLEG VAN SYMBOLEN OP MACHINE

- ③ Lees de gebruiksaanwijzing vóór gebruik
- ④ Dubbele isolatie (geen aarddraad nodig)

- ⑤ Geef elektrisch gereedschap en batterijen niet met het huisvuil mee

GEBRUIK

- Aan/uit ⑥
 - ! **houd rekening met de krachten, die optreden bij blokkeren; houd de machine met beide handen vast en zorg ervoor, dat u stevig staat**
- Toerentalregeling voor langzaam starten ⑦
- Beschermingsframe ⑧
 - voor bescherming van de machine
 - voor geleiding van de machine
 - voor het eenvoudig aan de kant zetten van de machine
 - monteer het beschermingsframe C voordat u de machine voor de eerste keer gebruikt
- ! **gebruik de machine nooit zonder het beschermingsframe**
- Werken met de machine
 - ! **houd de machine uitgetest is**
 - monteer mixschoep D op spindel E zoals afgebeeld ⑨
 - steek stekker in stopcontact
 - controleer of de mixcontainer stevig op de vloer staat
 - dompel de mixschoep in het te mixen materiaal **voordat u de machine aanzet**, en verhoog vervolgens de mixsnelheid door meer druk uit te oefenen op de bedieningsknop (zo voorkomt u dat het materiaal gaat spatten en zal de machine niet worden overbelast)
 - ! **schakel de machine alleen uit wanneer de mixschoep in de mixcontainer zit**
- Vasthouden en leiden van de machine ⑩
 - ! **houd de machine tijdens het werk altijd vast bij het(de) grijs-gekleurde greepvlak(ken)**
 - ! **houd de machine altijd stevig met beide handen vast**

ONDERHOUD / SERVICE

- Deze machine is niet bedoeld voor professioneel gebruik
- Houd machine en snoer altijd schoon (met name de ventilatie-openingen)
 - maak de mixer en functionele onderdelen altijd schoon na uw mengwerkzaamheden
 - maak het apparaat schoon met een droge, zachte doek (gebruik geen reinigings- of oplosmiddelen)
 - reinig ventilatieopeningen F ② regelmatig met een borstel of met perslucht
- ! **trek de stekker uit het stopcontact vóór het reinigen**
- Mocht het elektrische gereedschap ondanks zorgvuldige fabricage- en testmethoden toch defect raken, dient de reparatie te worden uitgevoerd door een erkende klantenservice voor SKIL elektrische gereedschappen
 - stuur de machine **ongedemonteerd**, samen met het aankoopbewijs, naar het verkoopadres of het dichtstbijzijnde SKIL service-station (de adressen evenals de onderdeelentekening van de machine vindt u op www.skil.com)
- Denk erom, dat beschadigingen als gevolg van overbelasting of onjuist gebruik van de machine niet onder de garantie vallen (voor de garantievoorwaarden van SKIL zie www.skil.com of raadpleeg uw dealer)

MILIEU

- **Geef elektrisch gereedschap, batterijen, accessoires en verpakkingen niet met het huisvuil mee** (alleen voor EU-landen)
 - volgens de Europese richtlijn 2012/19/EG inzake oude elektrische en elektronische apparaten en de toepassing daarvan binnen de nationale wetgeving, dient afgedankt elektrisch gereedschap gescheiden te worden ingezameld en te worden afgevoerd naar een recycle-bedrijf, dat voldoet aan de geldende milieu-eisen
 - symbool ⑤ zal u in het afdankstadium hieraan herinneren

GELUID / VIBRATIE

- Gemeten volgens EN 62841 bedraagt het geluidsdruk-niveau van deze machine 83 dB(A) en het geluidsvermogen-niveau 94 dB(A) (standaard deviatie: 3 dB), en de vibratie $3,3 \text{ m/s}^2$ (vectorsom van drie richtingen; onzekerheid $K = 1,5 \text{ m/s}^2$)
 - Het trillingsemisniveau is gemeten in overeenstemming met een gestandaardiseerde test volgens EN 62841; deze mag worden gebruikt om twee machines met elkaar te vergelijken en als voorlopige beoordeling van de blootstelling aan trilling bij gebruik van de machine voor de vermelde toepassing
 - gebruik van de machine voor andere toepassingen, of met andere of slecht onderhouden accessoires, kan het blootstellingsniveau aanzienlijk **verhogen**
 - wanneer de machine is uitgeschakeld of wanneer deze loopt maar geen werk verricht, kan dit het blootstellingsniveau aanzienlijk **reduceren**
- ! bescherm uzelf tegen de gevolgen van trilling door de machine en de accessoires te onderhouden, uw handen warm te houden en uw werkwijze te organiseren**

S

Mixer

1608

INTRODUKTION

- Denna elektroniska mixer är avsedd för lätt och enkel blandning av ämnen
- Med olika blandarblad kan olika substanser blandas (olika sorter cementblandningar, konstruktionslim, färg, utjämningsmassa, yt- och torrputs etc.)
- Den rekommenderade blandningsvolymen beror på egenskaperna av det som ska blandas, och vilken blad som ska används
- Blanda inte mer än 40 liter av en substans åt gången
- Det här verktyget är inte avsedd för yrkesmässig användning
- Läs och spara denna instruktionsbok ③

TEKNISKA DATA ①

VERKTYGSELEMENT ②

- A Strömbrytare för till/från och varvvalsreglering
- B Knapp för låsning av strömbrytare
- C Skyddsram

- D Blandarblad
- E Spindel
- F Ventilationsöppningar
- G Nyckel (2)
- H Sexkantsnyckel

SÄKERHET

ALLMÄNNA SÄKERHETSANVISNINGAR FÖR ELVERKTYG

⚠ VARNING Studera alla varningar, anvisningar, bilder och specifikationer gällande säkerhet som medföljer verktyget. Om anvisningarna inte följs kan det resultera i elektriska stötar, brand och/eller allvarliga personskador.

Förvara alla varningar och anvisningar för framtida bruk.

Nedan använt begrepp "elverktyg" hänför sig till nätdrivna elverktyg (med nätsladd) och till batteridrivna elverktyg (sladdlösa).

1) ARBETSPLATSSÄKERHET

- Håll arbetsplatsen ren och välbelyst.** Ordning på arbetsplatsen eller dåligt belyst arbetsområde kan leda till olyckor.
- Använd inte elverktynet i explosionsfarlig omgivning med brännbara vätskor, gaser eller damm.** Elverktyn alstrar gnistor som kan antända dammet eller gaserna.
- Håll under arbetet med elverktynet barn och obehöriga personer på betryggande avstånd.** Om du störs av obehöriga personer kan du förlora kontrollen över elverktynet.

2) ELEKTRISK SÄKERHET

- Elverktyns stickpropp måste passa till vägguttaget. Stickproppen får absolut inte förändras. Använd inte adapterkontakter tillsammans med skyddsjordade elverktyg.** Oförändrade stickproppar och passande vägguttag reducerar risken för elektriskt slag.
- Undvik kroppskontakt med jordade ytor som t. ex. rör, värmeelement, spisar och kylskåp.** Det finns en större risk för elektriskt slag om din kropp är jordad.
- Skydda elverktynet mot regn och väta.** Tränger vatten in i ett elverktyg ökar risken för elektriskt slag.
- Missbruka inte nätsladden och använd den inte för att bära eller hänga upp elverktynet och inte heller för att dra stickproppen ur vägguttaget. Håll nätsladden på avstånd från värme, olja, skarpa kanter och rörliga maskindelar.** Skadade eller tilltrasslade ledningar ökar risken för elektriskt slag.
- När du arbetar med ett elverktyg utomhus använd endast förlängningsladdar som är godkända för utomhusbruk.** Om en lämplig förlängningsladd för utomhusbruk används minskar risken för elektriskt slag.
- Använd en jordfelsbrytare om det inte är möjligt att undvika elverktyns användning i fuktig miljö.** Genom att använda en jordfelsbrytare minskas risken för elstöt.

3) PERSONSÄKERHET

- Var uppmärksam, kontrollera vad du gör och använd elverktynet med förnuft. Använd inte elverktynet**

- när du är trött eller om du är påverkad av droger, alkohol eller mediciner. Under användning av elverktyg kan även en kort uppmärksamhet leda till allvarliga kroppsskador.
- b) **Bär alltid personlig skyddsutrustning och skyddsglasögon.** Användning av personlig skyddsutrustning som t. ex. dammfiltermask, halkfria säkerhetsskor, skyddshjälm och hörselskydd reducerar alltefter elverktygets typ och användning risken för kroppsskada.
 - c) **Undvik oavsiktlig igångsättning. Kontrollera att elverktyget är fränkopplat innan du ansluter stickproppen till vägguttaget och/eller ansluter/tar bort batteriet, tar upp eller bär elverktyget.** Om du bär elverktyget med fingret på strömställaren eller ansluter påkopplat elverktyg till nätströmmen kan olycka uppstå.
 - d) **Ta bort alla inställningsverktyg och skruvnycklar innan du kopplar på elverktyget.** Ett verktyg eller en nyckel i en roterande komponent kan medföra kroppsskada.
 - e) **Överskatta inte din förmåga. Se till att du står stadigt och håller balansen.** I detta fall kan du lättare kontrollera elverktyget i oväntade situationer.
 - f) **Bär lämpliga kläder. Bär inte löst hängande kläder eller smycken. Håll håret och kläderna på avstånd från de rörliga delarna.** Löst hängande kläder, smycken och långt hår kan dras in i roterande delar.
 - g) **Vid elverktyg med dammutsugnings- och uppsamlingsutrustning kontrollera att anordningarna är rätt monterade och används på korrekt sätt.** Användning av dammutsugning minskar de risker damm orsakar.
 - h) **Låt inte vanan att ofta använda verktygen göra att du blir slarvig och ignorerar verktygets säkerhetsprinciper.** En vårdslös åtgärd kan leda till allvarlig personskada inom bråkdelen av en sekund.
- #### 4) OMSORGSFULL HANTERING OCH ANVÄNDNING AV ELVERKTYG
- a) **Överbelasta inte elverktyget. Använd för aktuellt arbete avsett elverktyg.** Med ett lämpligt elverktyg kan du arbeta bättre och säkrare inom angivet effektområde.
 - b) **Ett elverktyg med defekt strömställare får inte längre användas.** Ett elverktyg som inte kan kopplas in eller ur är farligt och måste repareras.
 - c) **Dra stickproppen ur vägguttaget och/eller ta bort batteriet, om det kan tas ut ur elverktyget, innan inställningar utförs, tillbehörsdelar byts ut eller elverktyget lagras.** Denna skyddsåtgärd förhindrar oavsiktlig inkoppling av elverktyget.
 - d) **Förvara elverktygen oåtkomliga för barn. Låt elverktyget inte användas av personer som inte är förtrogna med dess användning eller inte läst denna anvisning.** Elverktygen är farliga om de används av oerfarna personer.
 - e) **Underhåll elverktyg och tillbehör omsorgsfullt. Kontrollera att rörliga komponenter fungerar felfritt och inte kärvar, att komponenter inte brustit eller skadats; orsaker som kan leda till att elverktygets funktioner påverkas menligt. Låt skadade delar repareras innan elverktyget återanvänds.** Många olyckor orsakas av dåligt skötta elverktyg.
 - f) **Håll skärverktygen skarpa och rena.** Omsorgsfullt

skötta skärverktyg med skarpa eggar kommer inte så lätt i kläm och går lättare att styra.

- g) **Använd elverktyget, tillbehör, insatsverktyg osv. enligt dessa anvisningar. Ta hänsyn till arbetsvillkoren och arbetsmomenten.** Används elverktyget på icke ändamålsenligt sätt kan farliga situationer uppstå.
 - h) **Håll handtag och greppytor torra, rena och fria från olja och fett.** Hala handtag och greppytor ger ingen säker hantering och kontroll över verktyget i oväntade situationer.
- #### 5) SERVICE
- a) **Låt elverktyget repareras endast av kvalificerad fackpersonal och med originalreservdelar.** Detta garanterar att elverktygets säkerhet upprätthålls.

SÄKERHETSANVISNINGAR FÖR MIXRAR

- a) **Håll verktyget med båda händerna i därtill avsedda handtag.** Förlorad kontroll kan leda till personskador.
- b) **Se till att ventilationen är tillräcklig vid blandning av lättantändliga material för att undvika en farlig atmosfär.** De ångor som utvecklas kan andas in, eller antändas av de gnistor som verktyget producerar.
- c) **Blanda inte livsmedel.** Verktyg och deras tillbehör är inte konstruerade för livsmedelsbehandling.
- d) **Håll sladden borta från arbetsområdet.** Sladden kan trassla in sig vid kontakt med blandarbladet.
- e) **Se till att blandningsbehållaren placeras i en stabil och säker position.** En behållare som inte är ordentligt säkrad kan oväntat röra sig.
- f) **Se till att ingen vätska stänker mot verktygets hölje.** Vätska som tränger in i verktyget kan orsaka skador och leda till elektriska stötar.
- g) **Följ anvisningarna och varningarna för det material som ska blandas.** Materialet som ska blandas kan vara skadligt.
- h) **Om verktyget faller ned i det material som ska blandas ska verktyget kopplas bort omedelbart och kontrolleras av en kvalificerad reparatör.** Om du sträcker in handen i hinken när verktyget är inkopplat kan det leda till elektriska stötar.
- i) **Sträck inte in händerna i blandningsbehållaren och placera inte andra föremål i den vid blandning.** Kontakt med blandarbladet kan leda till allvarliga personskador.
- j) **Starta och sänk ned verktyget endast i blandningsbehållaren.** Blandarbladet kan böjas eller snurra på ett okontrollerat sätt.

EXTRA SÄKERHETSANVISNINGAR

- Kontrollera alltid att den tillförda strömtypen stämmer med spänningen som anges på maskinens märkplåt
- Använd aldrig verktyget om sladden är skadad; den måste bytas mot en särskilt utformad sladd som finns via serviceorganisationen.
- Använd aldrig verktyget i explosiv atmosfär
- Blanda aldrig antändbara substanser
- Använd skyddshandskar, dammask, åtsittande kläder och rejälla skor
- Ljudnivån vid arbete kan överskrida 85 dB(A); använd hörselskydd
- SKIL kan endast garantera att maskinen fungerar felfritt om originaltillbehör används

- Använd inte förlängningar på blandarbladet
- Dra alltid ur stickkontakten från väggurtaget innan du gör någon justering eller byter tillbehör

FÖRKLARING AV SYMBOLERNA PÅ VERKTYGET

- ③ Läs bruksanvisningen före användning
- ④ Dubbel isolering (ingen jordning krävs)
- ⑤ Elektriska verktyg och batterier får inte kastas i hushållsoporna

ANVÄNDNING

- Till/från ⑥
- ! var medveten om den kraft som uppstår i händelse av blockering; håll maskinen stadigt med båda händerna och se till att du står stadigt
- Varvtalsreglering för mjukstart ⑦
- Skyddsram ⑧
 - för skydd av verktyget
 - för ledning av verktyget
 - för enkel undanställning av verktyget
 - montera skyddsramen C innan verktyget används första gången
- ! använd aldrig verktyget utan skyddsramen
- Användning av maskinen
 - ! se till att verktyget är avstängt
 - montera blandarbladet D på spindeln E enligt bilden ⑨
 - sätt kontakten i väggurtaget
 - se till att blandningskärlet är stadigt placerat på golvet
 - sänk blandarbladet i blandningsmassan innan du startar verktyget, och bygg sedan gradvis upp blandningshastigheten genom att trycka hårdare på avtryckaren (så att massan inte stänker runt och verktyget inte överbelastas)
 - ! stäng alltid av verktyget medan blandarbladet fortfarande befinner sig i blandningskärlet
- Fattning och styrning av maskinen ⑩
 - ! under arbetet, håll alltid verktyget i det gra greppet
 - ! håll alltid maskinen stadigt med båda händerna

UNDERHÅLL / SERVICE

- Det här verktyget är inte avsedd för yrkesmässig användning
- Håll alltid din maskin och sladden ren (speciellt ventilationsöppningarna)
 - rengör alltid mixer och funktionsdelarna efter blandningsarbetet
 - rengör verktyget med en mjuk, torr trasa (använd inte rengöringsmedel eller lösningsmedel)
 - rengör ventilationspringorna F ② regelbundet med en borste eller tryckluft
- ! drag ur stickkontakten innan rengöring
- Om i elverktyget trots exakt tillverkning och sträng kontroll störning skulle uppstå, bör reparation utföras av auktoriserad serviceverkstad för SKIL elverktyg
 - sänd in verktyget i odemonterat skick tillsammans med inköpsbevis till försäljaren eller till närmaste SKIL serviceverkstad (adresser till servicestationer och sprängkisser av maskiner finns på www.skil.com)
- Observera att skada till följd av ovarsamhet eller överbelastning av verktyget inte täcks av garantin (för SKIL garantivillkor, gå till www.skil.com eller fråga återförsäljaren)

MILJÖ

- Elektriska verktyg, batterier, tillbehör och förpackning får inte kastas i hushållsoporna (gäller endast EU-länder)
 - enligt direktivet 2012/19/EG som avser äldre elektrisk och elektronisk utrustning och dess tillämpning enligt nationell lagstiftning ska uttjänta elektriska verktyg sorteras separat och lämnas till miljövänlig återvinning
 - symbolen ⑤ kommer att påminna om detta när det är tid att kassera

LJUD / VIBRATION

- Ljudtrycksnivån som uppmätts enligt EN 62841 är på denna maskin 83 dB(A) och ljudeffektnivån 94 dB(A) (standard deviation: 3 dB), och vibration 3,3 m/s² (vektorsumma i tre riktningar; onoggrannhet K = 1,5 m/s²)
- Vibrationsemissionsvärdet har uppmätts enligt ett standardiserat test i enlighet med EN 62841; detta värde kan användas för att jämföra vibrationen hos olika verktyg och som en ungefärlig uppskattning av hur stor vibration användaren utsätts för när verktyget används enligt det avsedda syftet
 - om verktyget används på ett annat än det avsedda syftet eller med fel eller dåligt underhållna tillbehör kan detta drastiskt öka vibrationsnivån
 - när verktyget stängs av eller är på men inte används, kan detta avsevärt minska vibrationsnivån
- ! skydda dig mot vibration genom att underhålla verktyget och dess tillbehör, hålla händerna varma och styra upp ditt arbetssätt

DK

Blandeværktøj

1608

INLEDNING

- Dette elektroniske blandeværktøj er beregnet til nem og enkel blanding af materialer
- Der kan blandes med forskellige blandeskovle (forskellige typer cementblandinger, byggelim, malinger, nivelleringsblandinger, våd og tør mørtel etc.)
- Den anbefalede blandingsvolumen afhænger af type og tilstand for de stoffer, der skal blandes, samt typen af det anvendte skovlen
- Bland ikke mere end 40 liter af et materiale ad gangen
- Dette værktøj er ikke beregnet til professionel brug
- Læs og gem denne betjeningsvejledning ③

TEKNISKE DATA ①

VÆRKTØJETS DELE ②

- A Afbryder til tænd/sluk og regulering af omdrejningstal
- B Knap til fastlåsning af afbryderen
- C Beskyttelsesramme
- D Blandeskovl
- E Spindel
- F Ventilationshuller
- G Nøgle (2)
- H Sekskantnøgle

SIKKERHED

GENERELLE SIKKERHEDSINSTRUKSER FOR EL-VÆRKTØJ

⚠ ADVARSEL Læs alle sikkerhedsadvarsler, instruktioner, illustrationer og specifikationer, der leveres med dette elektriske værktøj. Hvis alle instruktioner opført herunder ikke følges, kan det medføre elektrisk stød, brand og/eller alvorlige kvæstelser.

Gem alle advarsler og instruktioner til senere brug.

Begrebet "elværktøj" i advarselne refererer til elværktøj, der kører på lysnettet (med netkabel) samt batteridrevet værktøj (uden netkabel).

1) SIKKERHED PÅ ARBEJDSPLADSEN

- a) **Sørg for, at arbejdsområdet er rent og ryddeligt.** Uorden eller uoplyste arbejdsområder øger faren for uheld.
- b) **Brug ikke elværktøjet i eksplosionstruede omgivelser, hvor der er brændbare væsker, gasser eller støv.** Elværktøj kan slå gnister, der kan antænde støv eller dampe.
- c) **Sørg for, at andre personer og ikke mindst børn holdes væk fra arbejdsområdet, når el-værktøjet er i brug.** Hvis man distraheres, kan man miste kontrollen over elværktøjet.

2) ELEKTRISK SIKKERHED

- a) **Elværktøjets stik skal passe til kontakten. Stikket må under ingen omstændigheder ændres. Brug ikke adapterstik sammen med jordforbundet elværktøj.** Uændrede stik, der passer til kontakterne, nedsætter risikoen for elektrisk stød.
- b) **Undgå kropskontakt med jordforbundne overflader som f.eks. rør, radiatorer, komfurer og køleskabe.** Hvis din krop er jordforbundet, øges risikoen for elektrisk stød.
- c) **Elværktøjet må ikke udsættes for regn eller fugt.** Indtrængning af vand i et elværktøj øger risikoen for elektrisk stød.
- d) **Brug ikke ledningen til formål, den ikke er beregnet til. Du må aldrig bære elværktøjet i ledningen, hænge elværktøjet op i ledningen eller rykke i ledningen for at trække stikket ud af kontakten. Beskyt ledningen mod varme, olie, skarpe kanter eller maskindele, der er i bevægelse.** Beskadigede eller indviklede ledninger øger risikoen for elektrisk stød.
- e) **Hvis elværktøjet benyttes i det fri, må der kun benyttes en forlængerledning, der er egnet til udendørs brug.** Brug af forlængerledning til udendørs brug nedsætter risikoen for elektrisk stød.
- f) **Hvis det ikke kan undgås at bruge elværktøjet i fugtige omgivelser, skal der bruges et HFI-relæ.** Brug af et HFI-relæ reducerer risikoen for at få elektrisk stød.

3) PERSONLIG SIKKERHED

- a) **Det er vigtigt at være opmærksom, se, hvad man laver, og bruge el-værktøjet fornuftigt. Brug ikke noget el-værktøj, hvis du er træt, har nydt alkohol eller er påvirket af medicamenter eller euforiserende stoffer.** Få sekunders uopmærksomhed ved brug af el-værktøjet kan føre til alvorlige personskader.
- b) **Brug beskyttelsesudstyr og hav altid**

beskyttelsesbriller på. Brug af sikkerhedsudstyr som f.eks. støvmaske, skridsikret fodtøj, beskyttelseshjelm eller høreværn afhængig af maskintype og anvendelse nedsætter risikoen for personskader.

- c) **Undgå utilsigtet igangsætning. Kontrollér, at el-værktøjet er slukket, før du tilslutter det til strømtilførslen og/eller akkuen, løfter eller bærer det.** Undgå at bære el-værktøjet med fingeren på afbryderen og sørg for, at el-værktøjet ikke er tændt, når det slutes til nettet, da dette øger risikoen for personskader.
 - d) **Gør det til en vane altid at fjerne indstillingsværktøj eller skruenøgle, før el-værktøjet tændes.** Hvis et stykke værktøj eller en nøgle sidder i en roterende maskindele, er der risiko for personskader.
 - e) **Undgå en unormal legemsposition. Sørg for at stå sikkert, mens der arbejdes, og kom ikke ud af balance.** Dermed har du bedre muligheder for at kontrollere el-værktøjet, hvis der skulle opstå uventede situationer.
 - f) **Brug egnet arbejdstøj. Undgå løse bekædningsgenstande eller smykker. Hold hår og tøj væk fra dele, der bevæger sig.** Dele, der er i bevægelse, kan gribe fat i løstsiddende tøj, smykker eller langt hår.
 - g) **Hvis støvudsugnings- og opsamlingsudstyr kan monteres, er det vigtigt, at dette tilsluttes og benyttes korrekt.** Brug af en støvopsugning kan reducere støvmængden og dermed den fare, der er forbundet støv.
 - h) **Selvom du kender værktøjet godt og er vant til at bruge det, skal du alligevel være opmærksom og overholde sikkerhedsanvisningerne.** Et øjeblik uopmærksomhed kan medføre alvorlige personskader.
- #### 4) OMHYGGELIG OMGANG MED OG BRUG AF EL-VÆRKTØJ
- a) **Undgå overbelastning af el-værktøjet. Brug altid et el-værktøj, der er beregnet til det stykke arbejde, der skal udføres.** Med det passende el-værktøj arbejder man bedst og mest sikkert inden for det angivne effektområde.
 - b) **Brug ikke et el-værktøj, hvis afbryder er defekt.** Et el-værktøj, der ikke kan startes og stoppes, er farligt og skal repareres.
 - c) **Træk stikket ud af stikkontakten og/eller fjern akkuen, hvis den er aftagelig, før maskinen indstilles, før skift af tilbehørsdele eller før el-værktøjet lægges til opbevaring.** Disse sikkerhedsforanstaltninger forhindrer utilsigtet start af el-værktøjet.
 - d) **Opbevar ubenyttet el-værktøj uden for børns rækkevidde. Lad aldrig personer, der ikke er fortrolige med el-værktøjet eller ikke har gennemlæst disse instrukser, benytte el-værktøjet.** El-værktøj er farligt, hvis det benyttes af ukendte personer.
 - e) **Vedligehold el-værktøj og tilbehørsdele. Kontroller, om bevægelige maskindele fungerer korrekt og ikke sidder fast, og om delene er brækket eller beskadiget, således at el-værktøjets funktion påvirkes. Få beskadigede dele repareret, inden el-værktøjet tages i brug.** Mange uheld skyldes dårligt vedligeholdte el-værktøjer.

- f) **Sørg for, at skæreværktøjer er skarpe og rene.** Omhyggeligt vedligeholdte skæreværktøjer med skarpe skærekanter sætter sig ikke så hurtigt fast og er nemmere at føre.
 - g) **Brug el-værktøj, tilbehør, indsatsværktøj osv. iht. disse instrukser. Tag hensyn til arbejdsforholdene og det arbejde, der skal udføres.** Anvendelse af el-værktøjet til formål, som ligger uden for det fastsatte anvendelsesområde, kan føre til farlige situationer.
 - h) **Hold håndtag og gribeblader tørre, rene og fri for olie og smørefedt.** Hvis håndtag og gribeblader er glatte, kan værktøjet ikke håndteres og styres sikkert, hvis der sker noget uventet.
- 5) SERVICE**
- a) **Sørg for, at el-værktøj kun repareres af kvalificerede fagfolk og at der kun benyttes originale reservedele.** Dermed sikres størst mulig maskinsikkerhed.

SIKKERHEDSINSTRUKSER FOR BLANDEVÆRKTØJ

- a) **Hold værktøjet med begge hænder på de dertil beregnede håndtag.** Manglende kontrol kan medføre personskader.
- b) **Sørg for tilstrækkelig ventilation under blandingen af brandfarlige materialer for herved at undgå farlige dampe.** Man kan komme til at indånde dampe, der udvikler sig, eller de kan blive antændt af gnister fra værktøjet.
- c) **Bland ikke fødevarer.** Elværktøj og tilbehør dertil er ikke beregnet til forarbejdning af mad.
- d) **Hold ledningen væk fra arbejdsområdet.** Ledningen kan blive viklet ind i blandeskovlen.
- e) **Sørg for, at blandebeholderen er placeret i en stabil og sikker position.** En beholder, der ikke er ordentligt sikret, kan uventet bevæge sig.
- f) **Sørg for, at der ikke sprøjter væske ind mod elværktøjets hus.** Hvis der kommer væske ind i elværktøjet, kan det forårsage skader og føre til elektrisk stød.
- g) **Følg instruktionerne og advarslerne for det materiale, der skal blandes.** Materialet er måske skadeligt.
- h) **Hvis elværktøjet falder ned i det materiale, der skal blandes, skal du straks tage værktøjet ud af stikkontakten og få elværktøjet kontrolleret af en kvalificeret reparatør.** Hvis du rækker ned i spanden efter værktøjet, mens værktøjet stadig er tilsluttet strøm, kan det føre til elektrisk stød.
- i) **Ræk ikke ned i blandebeholderen med hænderne, og stik ikke andre genstande derned, mens du blander.** Kontakt med blandeskovlen kan føre til alvorlig personskade.
- j) **Værktøjet må kun startes og bruges, hvis det er nede i blandebeholderen.** Blandeskovlen kan blive bøjet eller dreje ukontrolleret rundt.

EKSTRA SIKKERHEDSFORSKRIFTER

- Kontrollér altid at forsyningsspændingen er den samme som den spænding, der er anført på værktøjets navneskilt
- Anvend aldrig værktøjet, hvis ledningen er beskadiget. Den skal udskiftes med en specielt forberedt ledning, der kan fås gennem kundeservice.

- Brug aldrig værktøjet i eller i nærheden af eksplosiv atmosfære
- Bland ikke brændbare stoffer
- Bær beskyttelseshandsker, en støvmaske, tætsiddende tøj og robuste sko
- Under arbejde med værktøjet kan lydniveauet overstige 85 dB(A); **brug høreværn**
- SKIL kan kun sikre en korrekt funktion af værktøjet, hvis der benyttes originalt tilbehør
- **Brug ikke forlængerdele til blandeskovlen**
- **Fjern altid først stikket fra kontakten, før De foretager nogle ændringer eller skifter tilbehør**

FORKLARING TIL SYMBOLERNE PÅ VÆRKTØJET

- ③ Læs instruktionen inden brugen
- ④ Dobbelt isolering (jordforbindelse unødvendig)
- ⑤ Elværktøj og batterier må ikke bortskaffes som almindeligt affald

BETJENING

- Tænd/sluk ⑥
- ! **vær opmærksom på de opstående kræfter af blokering; hold værktøjet fast med begge hænder og sørg for at stå sikkert**
- Regulering af omdrejningstal til blød start ⑦
- Beskyttelsesramme ⑧
 - til beskyttelse af værktøjet
 - til styring af værktøjet
 - til at stille værktøjet til side på en nem måde
 - monter beskyttelsesrammen C før du bruger værktøjet første gang
- ! **brug aldrig værktøjet uden beskyttelsesrammen**
- Betjening af værktøjet
 - ! **sørg for at der er slukket for værktøjet**
 - monter blandeskovlen D på spindlen E som vist på tegningen ⑨
 - sæt stikket i kontakten
 - sørg for, at blandingsbeholderen er fastgjort sikkert på gulvet
 - dyp blandeskovlen i blandingsmaterialet, **for der tændes for værktøjet**, og sæt gradvist blandeastigheden i vejret ved at lægge mere vægt på udløseren (så materialet ikke sprøjter omkring, og værktøjet ikke overbelastes)
 - ! **sluk kun for værktøjet, når blandeskovlen er i blandingsbeholderen**
- Håndtering og styring af værktøjet ⑩
 - ! **under arbejde, hold altid om værktøjet på de grå markerede grebsområde(r)**
 - ! **hav altid et solidt greb på værktøjet med begge hænder**

VEDLIGEHOLDELSE/SERVICE

- Dette værktøj er ikke beregnet til professionelt brug
- Hold værktøjet og ledningen ren (især ventilationshullerne)
 - rengør altid blandeværktøjet og funktionsdelene efter blandingsarbejdet
 - rengør værktøjet med en tør, blød klud (brug ikke rengøringsmidler eller opløsningsmidler)
 - rengør regelmæssigt ventilationsåbningerne F ⑫ med en børste eller trykluft
- ! **træk stikket ud før rensning**

- Skulle elværktøjet trods omhyggelig fabrikation og kontrol skulle holde op med at fungere, skal reparasjonen udføres af et autoriseret serviceværksted for SKIL-elektroværktøj - send det **ikke adskilte** værktøj sammen med et købsbevis til forhandleren eller nærmeste SKIL-serviceværksted (adresser og reservedelstegning af værktøjet findes på www.skil.com)
- Husk, at beskadigelse som følge af overbelastning eller forkert håndtering af værktøjet ikke er omfattet af garantien (se www.skil.com vedrørende SKIL-garantibetingelserne, eller spørg din forhandler)

MILJØ

- **Elværktøj, batterier, tilbehør og emballage må ikke bortskaffes som almindeligt affald** (kun for EU-lande)
 - i henhold til det europæiske direktiv 2012/19/EF om bortskaffelse af elektriske og elektroniske produkter og gældende national lovgivning, skal brugt elværktøj indsamles separat og bortskaffes på en måde, der skåner miljøet mest muligt
 - symbolet ⑤ erindr dig om dette, når udskiftning er nødvendig

STØJ / VIBRATION

- Måles efter EN 62841 er lydtrykniveau af dette værktøj 83 dB(A) og lydeffektniveau 94 dB(A) (standard deviation: 3 dB), og vibrationsniveauet 3,3 m/s² (vektorsum for tre retninger; usikkerhed K = 1,5 m/s²)
 - Vibrationsniveauet er målt i henhold til den standardiserede test som anført i EN 62841. Det kan benyttes til at sammenligne to stykker værktøj og som en foreløbig bedømmelse af udsættelsen for vibrationer, når værktøjet anvendes til de nævnte form
 - anvendes værktøjet til andre formål eller med andet eller dårligt vedligehold tilbehør, kan dette **øge** udsættelsesniveauet betydeligt
 - de tidsrum, hvor værktøjet er slukket, eller hvor det kører uden reelt at udføre noget arbejde, kan **reducere** udsættelsesniveauet betydeligt
- ! beskyt dig selv imod virkningerne af vibrationer ved at vedligeholde værktøjet og dets tilbehør, ved at holde dine hænder varme og ved at organisere dine arbejdsmønstre**

N

Blander

1608

INTRODUKSJON

- Denne elektroniske blanderen er beregnet for lett og enkel blanding af stoffer
- Med forskellige blandeviser kan en lang række stoffer blandes (forskjellige typer sementblandinger, byggelim, malinger, avrettingsmasser, pussemørtel og tørsement osv.)
- Anbefalt blande volum avhenger av type stoff og tilstanden til stoffet som skal blandes, og type visp som brukes
- Ikke bland mer enn 40 liter stoffblanding av gangen
- Dette verktøyet er ikke beregnet på profesjonell bruk
- Les og ta vare på denne brukerveiledningen ③

TEKNISKE DATA ①

VERKTØYELEMENTER ②

- A Bryter til av/på og turtallsregulering
- B Knapp til låsing av bryteren
- C Beskyttelsesramme
- D Blandeviser
- E Spindel
- F Ventilasjonsåpninger
- G Nøkkel (2)
- H Sekskantnøkkel

SIKKERHET

GENERELLE ADVARSLER FOR ELEKTROVERKTØY

⚠ ADVARSEL Les alle sikkerhetsadvarsler, instruksjoner, illustrasjoner og spesifikasjoner som følger med dette elektroverktøyet. Hvis du unnlater å følge noen av instruksjonene som er listet opp ovenfor, kan det føre til elektrisk støt, brann og/eller alvorlige personskader.

Ta godt vare på alle advarslene og informasjonene.

Det nedenstående anvendte uttrykket "elektroverktøy" gjelder for strøm-drevne (med ledning) og batteridrevne elektroverktøy (uten ledning).

1) SIKKERHET PÅ ARBEIDSPLASSEN

- a) **Hold arbeidsområdet rent og ryddig.** Rotete arbeidsområder eller arbeidsområder uten lys kan føre til ulykker.
- b) **Ikke arbeid med elektroverktøyet i eksplosjonsfarlige atmosfærer – der det befinner seg brennbare væsker, gass eller støv.** Elektroverktøyet lager gnister som kan antenne støv eller damper.
- c) **Hold barn og andre personer unna når elektroverktøyet brukes.** Hvis du blir forstyrret under arbeid, kan du miste kontrollen over elektroverktøyet.

2) ELEKTRISK SIKKERHET

- a) **Støpselet til elektroverktøyet må passe inn i stikkkontakten. Støpselet må ikke forandres på noen som helst måte. Ikke bruk adapterstøpsler sammen med jordede maskiner.** Bruk av støpsler som ikke er forandret på og passende stikkontakter reduserer risikoen for elektriske støt.
- b) **Unngå kroppskontakt med jordede overflater slik som rør, ovner, komfyre og kjøleskap.** Det er større fare ved elektriske støt hvis kroppen din er jordet.
- c) **Hold elektroverktøyet unna regn eller fuktighet.** Dersom det kommer vann i et elektroverktøy, øker risikoen for elektriske støt.
- d) **Ikke bruk ledningen til andre formål, f.eks. til å bære elektroverktøyet, henge den opp eller trekke den ut av stikkkontakten. Hold ledningen unna varme, olje, skarpe kanter eller maskindeler som beveger seg.** Med skadede eller opphopede ledninger øker risikoen for elektriske støt.
- e) **Når du arbeider utendørs med et elektroverktøy, må du kun bruke en skjøteledning som er godkjent til utendørs bruk.** Når du bruker en skjøteledning som er egnet for utendørs bruk, reduseres risikoen for elektriske støt.
- f) **Hvis det ikke kan unngås å bruke elektroverktøyet i fuktige omgivelser, må du bruke en jordfeilbryter.**

Bruk av en jordfeilbryter reduserer risikoen for elektriske stot.

3) PERSONSIKKERHET

- a) **Vær oppmerksom, pass på hva du gjør, gå fornuftig frem når du arbeider med et elektroverktøy. Ikke bruk elektroverktøyet når du er trett eller er påvirket av narkotika, alkohol eller medikamenter.** Et øyeblikks uoppmerksomhet ved bruk av elektroverktøyet kan føre til alvorlige skader.
- b) **Bruk personlig verneutstyr og husk alltid å bruke vernebriller.** Bruk av personlig sikkerhetsutstyr som støvmaske, skilfaste arbeidssko, hjelm eller hørselvern – avhengig av type og bruk av elektroverktøyet – reduserer risikoen for skader.
- c) **Unngå å starte verktøyet ved en feiltagelse. Forviss deg om at elektroverktøyet er slått av før du kobler det til strømmen og/eller batteriet, løfter det opp eller bærer det.** Hvis du holder fingeren på bryteren når du bærer elektroverktøyet eller kobler elektroverktøyet til strømmen i innkoblet tilstand, kan dette føre til uhell.
- d) **Fjern innstillingsverktøy eller skrunøkler før du slår på elektroverktøyet.** Et verktøy eller en nøkkel som befinner seg i en roterende maskindel, kan føre til skader.
- e) **Ikke overvurder deg selv. Sørg for å stå stødig og i balanse.** Dermed kan du kontrollere elektroverktøyet bedre i uventede situasjoner.
- f) **Bruk alltid egnede klær. Ikke bruk vide klær eller smykker. Hold hår og klær unna deler som beveger seg.** Løstsittende tøy, smykker eller langt hår kan komme inn i deler som beveger seg.
- g) **Hvis det kan monteres støvavsug- og oppsamlingsinnretninger, må du forviss deg om at disse er tilkoblet og brukes på korrekt måte.** Bruk av et støvavsug reduserer faren på grunn av støv.
- h) **Selv når du er blitt vant til verktøyet, må du ikke bli sløv og ignorere sikkerhetsreglene for verktøyet.** En uforsiktig handling kan forårsake alvorlig personskade i løpet av et brøkdels sekund.

4) AKTSOM HÅNTERING OG BRUK AV ELEKTROVERKTØY

- a) **Ikke overbelast elektroverktøyet. Bruk et elektroverktøy som er beregnet til den type arbeid du vil utføre.** Med et passende elektroverktøy arbeider du bedre og sikrer i det angitte effektområdet.
- b) **Ikke bruk elektroverktøy med defekt på/vubryter.** Et elektroverktøy som ikke lenger kan slås av eller på, er farlig og må repareres.
- c) **Trekk støpselet ut av stikkkontakten og/eller fjern batteriet (hvis demonterbart) før du utfører innstillinger på elektroverktøyet, skifter tilbehørsdeler eller legger elektroverktøyet bort.** Disse tiltakene forhindrer en utilsiktet startung av elektroverktøyet.
- d) **Elektroverktøy som ikke er i bruk må oppbevares utilgjengelig for barn. Ikke la elektroverktøyet brukes av personer som ikke er fortrolig med dette eller ikke har lest disse anvisningene.** Elektroverktøyet er farlige når de brukes av uerfarne personer.
- e) **Vær nøye med vedlikeholdet av elektroverktøyet og tilbehøret. Kontroller om bevegelige maskindeler fungerer feilfritt og ikke klemmes fast, og om deler er brukket eller skadet, slik at dette innvirker på elektroverktøyet funksjon. La skadede deler**

repareres før elektroverktøyet brukes. Dårlig vedlikeholdte elektroverktøy er årsaken til mange uhell.

- f) **Hold skjæreverktøyene skarpe og rene.** Godt stelte skjæreverktøy med skarpe skjær setter seg ikke så ofte fast og er lettere å føre.
 - g) **Bruk elektroverktøy, tilbehør, verktøy osv. i henhold til disse anvisningene. Ta hensyn til arbeidsforholdene og arbeidet som skal utføres.** Bruk av elektroverktøy til andre formål enn det som er angitt kan føre til farlige situasjoner.
 - h) **Hold håndtak og gripeflater tørre, rene og uten olje eller fett.** Glatte håndtak og gripeflater hindrer sikker håndtering og styring av verktøyet i uventede situasjoner.
- ### 5) SERVICE
- a) **Maskinen din skal alltid kun repareres av kvalifisert fagpersonale og kun med originale reservedeler.** Slik opprettholdes elektroverktøyet sikkerhet.

SIKKERHETSANVISNINGER FOR BLANDERE

- a) **Verktøyet skal holdes i håndtakene med begge hender.** Tap av kontroll kan medføre personskader.
- b) **Sørg for tilstrekkelig ventilasjon når du blander brennbare materialer slik at du unngår en farlig atmosfære.** Det er fare for a damper som oppstår ved blanding, inhaleres eller antennes av gnist forårsaket av elektroverktøyet.
- c) **Ikke bland matvarer.** Elektroverktøy og dets tilbehør er ikke utformet til behandling av matvarer.
- d) **Hold ledningen unna arbeidsområdet.** Ledningen kan vikle seg inn i blandebladet.
- e) **Sørg for at blandebeholderen er plassert på et stødig og trygt sted.** En beholder som ikke er skikkelig festet kan plutselig bevege på seg.
- f) **Sørg for at ingen væsker spruter mot kroppen av elektroverktøyet.** Væske som trenger seg inn i kroppen av elektroverktøyet kan føre til skader og medføre elektrisk stot.
- g) **Følg bruksanvisningen og advarslene for materialene som skal blandes.** Materialene som skal blandes kan være skadelige.
- h) **Hvis elektroverktøyet faller inni materialene som skal blandes, må støpselet trekkes ut av stikkkontakten og elektroverktøyet må sjekkes av en godkjent reparatør.** Hvis du putter hendene inn i botten mens verktøyet fremdeles er koblet til, kan det medføre elektrisk stot.
- i) **Ikke putt hendene inn i blandebeholderen, du skal heller ikke putte andre gjenstander i beholderen mens du blander.** Kontakt med blandebladet kan føre til alvorlige personskader.
- j) **Verktøyet må kun startes opp og slås av mens det er i blandebeholderen.** Blandebladet kan bøyes eller snures på en ukontrollert måte.

EKSTRA SIKKERHETSADVARSLER

- Sjekk alltid at tilført spenningen er den samme som oppgitt på verktøyet merkeplate
- Verktøyet skal aldri brukes hvis ledningen er skadet. Det må byttes ut med en spesialledning tilgjengelig via serviceavdelingen.
- Bruk aldri verktøyet i eller nær eksplosive atmosfærer
- Bland aldri brennbare stoffer
- Bruk beskyttelseshansker, en støvmaske, tetsittende klær og solide sko

- Støynivået under arbeid kan overskride 85 dB(A); **bruk hørselvern**
- SKIL kan kun garantere et feilfritt verktøy dersom originaltilbehør brukes
- **Ikke bruk forlengelsesdeler til blandebladet**
- **Ta alltid ut kontakten før du forandrer innstillinger på sagen eller skifter tilbehør**

FORKLARING AV SYMBOLER PÅ VERKTØY

- ③ Les instruksjonsboken for bruk
- ④ Dobbeltisolert (ikke nødvendig med jordingsleder)
- ⑤ Kast aldri elektroverktøy og batterier i husholdningsavfallet

BRUK

- Av/på ⑥
 - ! **ta hensyn til de krefter som da oppstår ved blokkering; hold verktøyet fast med begge hender og pass på å stå stødig**
- Turtallsregulering for myk-start ⑦
- Beskyttelsesramme ⑧
 - for beskyttelse av verktøyet
 - for styring av verktøyet
 - for å sette verktøyet til side på en enkel måte
 - monter beskyttelsesrammen C før du tar verktøyet i bruk første gang
 - ! **bruk aldri verktøyet uten beskyttelsesramme**
- Bruk av verktøyet
 - ! **kontroller at verktøyet er slått av**
 - monter blandevispen D på spindelen E som vist på tegningen ⑨
 - sett støpsel i stikkkontakten
 - sørg for at blandebeholderen står støtt på gulvet
 - stikk blandevispen ned i stoffet som skal blandes **før du slår på verktøyet**, og øk deretter blandehastigheten gradvis ved å trykke hardere på avtrekkerbryteren (slik at stoffet ikke spruter utover eller verktøyet blir overbelastet)
 - ! **slå alltid verktøyet av mens blandevispen fremdeles er nede i blandebeholderen**
- Grep og styring av verktøyet ⑩
 - ! **under arbeid, hold verktøyet alltid i grått (gråe) grepsområde(r)**
 - ! **hold alltid verktøyet fast med begge hender**

VEDLIKEHOLD / SERVICE

- Dette verktøyet er ikke beregnet på profesjonell bruk
- Hold alltid verktøyet og kabelen ren (spesielt ventilasjonshullene)
 - rengjør alltid blanderen og funksjonsdelene etter at blanding er utført
 - rengjør verktøyet med en tørr og myk klut (bruk ikke rensemidler eller løsemidler)
 - rengjør ventilasjonsåpningene F ② regelmessig med en børste eller trykkluft
 - ! **dra ut støpselet før rengjøring**
- Hvis elektroverktøyet til tross for omhyggelige produksjons- og kontrollmetoder en gang skulle sviakte, må reparasjonen utføres av et autorisert serviceverksted for SKIL-elektroverktøy
 - send verktøyet i **montert** tilstand sammen med kjøpebevis til forhandleren eller nærmeste SKIL servicesenter (adresser liksom service diagram av verktøyet finner du på www.skil.com)

- Vær klar over at skade som skyldes overbelastning eller feilbehandling av verktøyet ikke dekkes av garantien (for SKIL garantibetingelser se www.skil.com eller spør din forhandler)

MILJØ

- **Kast aldri elektroverktøy, batterier, tilbehør og emballasje i husholdningsavfallet** (kun for EU-land)
 - i henhold til EU-direktiv 2012/19/EF om kasserte elektriske og elektroniske produkter og direktivets iverksetting i nasjonal rett, må elektroverktøy som ikke lenger skal brukes, samles separat og returneres til et miljøvennlig gjenvinningsanlegg
 - symbolet ⑤ er påtrykt som en påminnelse når utskifting er nødvendig

STØY / VIBRASJON

- Målt ifølge EN 62841 er lydtrykknivået av dette verktøyet 83 dB(A) og lydstyrkenivået 94 dB(A) (standard deviasjon: 3 dB), og vibrasjonsnivået 3,3 m/s² (vektorsum fra tre retninger; usikkerhet K = 1,5 m/s²)
- Vibrasjonsnivået er målt i samsvar med en standardisert test som er angitt i EN 62841; den kan brukes til å sammenligne et verktøy med et annet, og som et foreløpig overslag over eksponering for vibrasjoner ved bruk av verktøyet til de oppgavene som er nevnt
 - bruk av verktøyet til andre oppgaver, eller med annet eller mangelfullt vedlikeholdt utstyr, kan gi en vesentlig **økning** av eksponeringsnivået
 - tidsrommene når verktøyet er avslått eller når det går men ikke arbeider, kan gi en vesentlig **reduksjon** av eksponeringsnivået
- ! **beskytt deg selv mot virkningene av vibrasjoner ved å vedlikeholde verktøyet og utstyret, holde hendene varme og organisere arbeidsmåten din**

FIN

Sekoitin

1608

ESITTELY

- Tämän elektroninen sekoittimen avulla aineiden sekoittaminen käy helposti ja vaivattomasti
- Erilaisilla sekoitussivillä voidaan sekoittaa erilaisia aineita (erityyppisiä sementtisekoituksia, rakennusliimoja, maaleja, tasoitussekoitteita, hienorappaus- ja kuivalaastia jne.)
- Suositeltava sekoitusmäärä riippuu sekoitettavasta aineesta ja sen olomuodosta sekä käytössä olevasta lavasta
- Älä sekoita 40 litraa enempää ainetta kerralla
- Tätä työkalua ei ole tarkoitettu ammattikäyttöön
- Lue ja säilytä tämä ohjekirja ③

TEKNISET TIEDOT ①

LAITTEEN OSAT ②

- A On/off- ja nopeudensäätökytkin
- B Kytikimen lukituksen painike
- C Suojakehys
- D Sekoitussiipi

- E Kara
- F Ilmanvaihto-aukot
- G Avain (2)
- H Kuusiokoloavain

TURVALLISUUS

YLEISET SÄHKÖTYÖKALUJEN TURVALLISUUTEEN LIITTYVÄT VAROITUKSET

VAROITUS: Perehdy kaikkiin tämän sähkötyökalun mukana toimitettuihin varoituksiin, ohjeisiin, kuviin ja teknisiin tietoihin. Jos kaikkia alla olevia ohjeita ei noudateta, seurauksena voi olla sähköisku, tulipalo ja/tai vakava loukkaantuminen.

Säilytä kaikki turvallisuus- ja muut ohjeet tulevaisuutta varten.

Turvallisuusohjeissa käytetty käsite "sähkötyökalu" käsittää verkkokäyttöisiä sähkötyökaluja (verkkojohdolla) ja akkukäyttöisiä sähkötyökaluja (ilman verkkojohtoa).

1) TYÖPAIKAN TURVALLISUUS

- a) **Pidä työskentelyalue puhtaana ja hyvin valaistuna.** Työpaikan epäjärjestys tai valaisemattomat työalueet voivat johtaa tapaturmiin.
- b) **Älä työskentele sähkötyökalulla räjähdysalttiissa ympäristössä, jossa on palavaa nestettä, kaasua tai pölyä.** Sähkötyökalu muodostaa kipinöitä, jotka saattavat sytyttää pölyn tai höyryä.
- c) **Pidä lapset ja sivulliset loitolla sähkötyökalua käyttäessäsi.** Voit menettää laitteesi hallinnan, huomioisi suuntautuessa muualle.

2) SÄHKÖTURVALLISUUS

- a) **Sähkötyökalun pistotulpan tulee sopia pistorasiaan.** Pistotulppaa ei saa muuttaa millään tavalla. Älä käytä mitään pistorasia-adaptoreita maadoitettujen sähkötyökalujen kanssa. Alkuperäisessä kunnossa olevat pistotulpat ja sopivat pistorasiat vähentävät sähköiskun vaaraa.
- b) **Vältä koskettamasta maadoitettuja pintoja, kuten putkia, pattereita, liesiä tai jääkaappeja.** Sähköiskun vaara kasvaa, jos kehosi on maadoitettu.
- c) **Älä aseta sähkötyökalua alttiiksi sateelle tai kosteudelle.** Veden tunkeutuminen sähkötyökalun sisään kasvattaa sähköiskun riskiä.
- d) **Älä käytä verkkojohtoa väärin.** Älä käytä sitä sähkötyökalun kantamiseen, vetämiseen tai pistotulpan irrottamiseen pistorasiasta. Pidä johto loitolla kuumuudesta, öljystä, terävistä reunoista ja liikkuvista osista. Vahingoittuneet tai sotkeutuneet johdot kasvattavat sähköiskun vaaraa.
- e) **Käyttäessäsi sähkötyökalua ulkona, käytä ainoastaan ulkokäyttöön soveltuvaa jatkojohtoa.** Ulkokäyttöön soveltuvan jatkojohdon käyttö pienentää sähköiskun vaaraa.
- f) **Jos sähkötyökalun käyttö kosteassa ympäristössä ei ole vältettävissä, tulee käyttää maavuotokatkaisijaa.** Maavuotokatkaisijan käyttö vähentää sähköiskun vaaraa.

3) HENKILÖTURVALLISUUS

- a) **Ole valpas, kiinnitä huomiota työskentelyysi ja noudata tervettä järkeä sähkötyökalua**

käyttäessäsi. Älä käytä sähkötyökalua, jos olet väsynyt tai huumeiden, alkoholin tahi lääkkeiden vaikutuksen alaisena. Hetken tarkkaamattomuus sähkötyökalua käyttäessä, saattaa johtaa vakavaan loukkaantumiseen.

- b) **Käytä suojavarusteita. Käytä aina suojalaseja.** Henkilökohtaisen suojavarustuksen käyttö, kuten pölynaamarin, luistamattomien turvakenkien, suojakypärän tai kuulonsuojaimien, riippuen sähkötyökalun lajista ja käytötavasta, vähentää loukkaantumisriskiä.
 - c) **Vältä tahatonta käynnistämistä. Varmista, että sähkötyökalu on poiskytkettyä, ennen kuin liität sen sähköverkkoon ja/tai liität akun, otat sen käteen tai kannat sitä.** Jos kannat sähkötyökalua sormi käynnistyskytkimellä tai kytket sähkötyökalun pistotulpan pistorasiaan, käynnistyskytkimen ollessa käyntiasennossa, altistat itsesi onnettomuuksille.
 - d) **Poista kaikki säätötyökalut ja ruuvitaltat, ennen kuin käynnistät sähkötyökalun.** Työkalu tai avain, joka sijaitsee laitteen pyörivässä osassa, saattaa johtaa loukkaantumiseen.
 - e) **Älä yliarvioi itseäsi. Huolehdi aina tukevasta seisoma-asennosta ja tasapainosta.** Täten voit paremmin hallita sähkötyökalua odottamattomissa tilanteissa.
 - f) **Käytä tarkoitukseen soveltuvia vaatteita. Älä käytä löysiä työvaatteita tai koruja. Pidä hiukset ja vaatteet poissa liikkuvien osien ulottuvilta.** Väljät vaatteet, korut ja pitkät hiukset voivat taktua liikkuviin osiin.
 - g) **Jos pölynimu- ja keräilylaitteita voidaan asentaa, tulee sinun tarkistaa, että ne on liitetty ja että ne käytetään oikealla tavalla.** Pölynimulaitteiston käyttö vähentää pölyn aiheuttamia vaaroja.
 - h) **Työskentele keskittyneesti ja noudata aina turvallisuusmääräyksiä.** Hetkellinenkin huolimattomuus voi aiheuttaa vakavia vammoja.
- #### 4) SÄHKÖTYÖKALUJEN KÄYTTÖ JA HOITO
- a) **Älä ylikuormita laitetta. Käytä kyseiseen työhön tarkoitettua sähkötyökalua.** Sopivaa sähkötyökalua käyttäen työskentelet paremmin ja varmemmin tehoalueella, jolle sähkötyökalu on tarkoitettu.
 - b) **Älä käytä sähkötyökalua, jota ei voida käynnistää ja pysäyttää käynnistyskytkimestä.** Sähkötyökalu, jota ei enää voida käynnistää ja pysäyttää käynnistyskytkimellä, on vaarallinen ja se täytyy korjata.
 - c) **Irrota pistotulppa pistorasiasta ja/tai irrota akku (jos irrotettava) sähkötyökalusta, ennen kuin suoritat säätöjä, vaihdat tarvikkeita tai viet sähkötyökalun varastoon.** Nämä turvatoimenpiteet pienentävät sähkötyökalun tahattoman käynnistysriskin.
 - d) **Säilytä sähkötyökalut poissa lasten ulottuvilta, kun niitä ei käytetä. Älä anna sellaisten henkilöiden käyttää sähkötyökalua, jotka eivät tunne sitä tai jotka eivät ole lukeeneet tätä käyttöohjetta.** Sähkötyökalut ovat vaarallisia, jos niitä käyttävät kokemattomat henkilöt.
 - e) **Pidä sähkötyökalut ja tarvikkeet hyvässä kunnossa.** Tarkista, että liikkuvat osat toimivat moitteettomasti, eivätkä ole puristuksessa sekä, että siinä ei ole murtuneita tai vahingoittuneita osia, jotka saattaisivat vaikuttaa haitallisesti sähkötyökalun toimintaan. Anna korjauttaa mahdolliset viat ennen

käyttöönottoa. Monen tapaturman syyt löytyvät huonosti huolletuista laitteista.

- f) **Pidä leikkausterät terävinä ja puhtaina.** Huolellisesti hoidetut leikkaustyökalut, joiden leikkausreunat ovat teräviä, eivät tartu helposti kiinni ja niitä on helpompi hallita.
 - g) **Käytä sähkötyökaluja, tarvikkeita, vaihtotyökaluja jne. näiden ohjeiden mukaisesti. Ota tällöin huomioon työolosuhteet ja suoritettava toimenpide.** Sähkötyökalun käyttö muuhun kuin sille määrättyyn käyttöön, saattaa johtaa vaarallisiin tilanteisiin.
 - h) **Pidä kahvat ja kädensijat kuivina ja puhtaina (öljyttöminä ja rasvattomina).** Jos kahvat ja kädensijat ovat liukkaista, et pysty ylläpitävissä tilanteissa ohjaamaan ja hallitsemaan työkalua turvallisesti.
- 5) HUOLTO**
- a) **Anna koulutettujen ammattihenkilöiden korjata sähkötyökalusi ja hyväksy korjauksiin vain alkuperäisiä varaosia.** Täten varmistat, että sähkötyökalu säilyy turvallisena.

SEKOITTIMIEN TURVALLISUUSOHJEET

- a) **Pidä työkalua molemmin käsin siihen tarkoitettuista kahvoista.** Kontrolliin menettäminen voi johtaa loukkaantumiseen.
- b) **Varmista riittävä ilmanvaihto palavia nesteitä sekoittaessasi välttääksesi vaarallisen ilmaseoksen syntymisen.** Joku voi hengittää syntyvää höyryä, tai sähkötyökalun synnyttämät kipinät voivat sytyttää sen palamaan.
- c) **Älä sekoita ruokaa.** Sähkötyökaluja ja niiden lisävarusteita ei ole suunniteltu ruoan käsittelyyn.
- d) **Pidä johto poissa työskentelyalueelta.** Johto voi sotkeentua sekoitussiipeen.
- e) **Varmista, että sekoitusastia on tukevassa ja turvallisessa asennossa.** Jos astia ei ole kiinnitetty kunnolla, se voi liikkua odottamatta.
- f) **Varmista, ettei nestettä pääse roiskumaan sähkötyökalun koteloa vasten.** Sähkötyökalun sisään tunkeutuva neste voi aiheuttaa vaurioita ja johtaa sähköiskuun.
- g) **Noudata sekoitettavaan materiaaliin liittyviä ohjeita ja varoituksia.** Sekoitettava materiaali voi olla haitallista.
- h) **Jos sähkötyökalu putoaa sekoitettavan materiaalin sekaan, irrota työkalu heti pistorasiasta ja toimita se ammattitaitoisen korjaajan tarkistettavaksi.** Kurkottaminen ämpäriin, kun työkalu on yhä liitettyä pistorasiaan, voi johtaa sähköiskuun.
- i) **Älä kurkota sekoitusastiaan käsilläsi, äläkä vie sinne mitään esineitä sekoituksen aikana.** Sekoitussiiven koskettaminen voi johtaa vakavaan loukkaantumiseen.
- j) **Käynnistä ja sammuta työkalu aina sekoitusastiassa.** Sekoitussiipi voi väyntyä tai pyöriä hallitsemattomasti.

LISÄVARO-TURVALLISUUSOHJEITA

- Tarkista aina, että syöttöjännite on sama kuin työkalun nimiläatana osoittama jännite
- Älä käytä työkalua, jonka johto on vioittunut; johto on vaihdettava erikoisvalmistaiseen johtoon, jonka voi hankkia mistä tahansa huolto-organisaatioon kuuluvasta liikkeestä.
- Älä koskaan käytä laitetta räjähdyksivaarallisissa tiloissa tai niiden lähellä

- Älä koskaan sekoita palavia aineita
- Käytä suojakäsineitä, pölynaamaria, vartalonmukaista vaatetusta ja tukevia kenkiä
- Työskenneltäessä melutaso saattaa ylittää 85 dB(A), jolloin suositellaan kuulosuojaimien käyttöä
- SKIL pystyy takaamaan työkalun moitteettoman toiminnan vain, kun käytetään alkuperäisiä tarvikkeita
- **Älä käytä sekoitussiiven jatkeita**
- **Irrota aina pistotulppa pistorasiasta, ennen kuin suoritat laitteelle mitään säätöjä tai vaihdat tarviketta**

TYÖKALUN SYMBOLIEN SELITYKSET

- ③ Lue käyttöohjeet ennen käyttöä
- ④ Kaksoiseristys (ei tarvita maajohtoa)
- ⑤ Älä hävitä sähkötyökalua ja paristoja tavallisen kotitalousjätteen mukana

KÄYTTÖ

- Käynnistys/pysäytys ⑥
- ! **tarkkaile valppaasti juutumisen aiheuttamia seurauksia; pidä työkalusta tukevasti kiinni molemmin käsin ja asetaudu tukevaan asentoon**
- Nopeudensäätö tasaista käynnistystä varten ⑦
- Suojakehys ⑧
 - laitteen suojaamista varten
 - laitteen ohjaamista varten
 - laitteen yksinkertaisesti sivuun laittamista varten
 - asenna suojakehys C ennen laitteen käyttämistä ensimmäistä kertaa
- ! **älä koskaan käytä laitetta ilman suojakehystä**
- Työkalun käyttö
- ! **varmista, että virta on katkaistu työkalusta**
 - kiinnitä sekoitussiipi D akseliin E kuvan mukaisesti ⑨
 - aseta pistotulppa pistorasiaan
 - varmista, että sekoitusastia on turvallisesti lattialla
 - upota sekoitussiipi sekoitettavaan aineeseen ennen laitteen käynnistämistä ja lisää sitten vähitellen sekoitusnopeutta puristamalla liipaisinta kovempaa (siten, ettei ainetta roisku pitkin eikä laite ylikuormitu)
- ! **sammuta laite ainoastaan sekoitussiiven ollessa sekoitusastiassa**
- Koneen pitäminen ja ohjaaminen ⑩
- ! **pidä työkalusta kiinni aina työskentelyn aikana harmaan värisestä kädensija(oista)**
- ! **pidä käytössä laitteesta tukevasti kiinni molemmilla käsillä**

HOITO / HUOLTO

- Tätä työkalua ei ole tarkoitettu ammattikäyttöön
- Pidä työkalu ja johto puhtaina (varmista erityisesti ilmanvaihtoreiät puhtaus)
 - puhdista aina sekoitin ja toimivat osat sekoitustyön jälkeen
 - puhdista laite kuivalla ja pehmeällä liinalla (älä käytä puhdistusaineita tai liuottimia)
 - puhdista tuuletusraot F ② säännöllisesti harjalla tai paineilmalla
- ! **irrota liitosjohto aina puhdistuksen ajaksi pistorasiasta**
- Jos sähkötyökalussa, huolellisesta valmistuksesta ja koestusmenettelystä huolimatta esiintyy vikaa, tulee korjaus antaa SKIL sopimushuollon tehtäväksi
 - toimita työkalu sitä osiin **purkamatta** lähimpään

SKIL-huoltoon (osoitteet ja työkalun huoltokaava ovat tarjolla web-osoitteessa www.skil.com) ostotodiste mukaan liitettynä

- Ota huomioon, että takuu ei kata työkalun ylikuormituksesta tai väärästä käsittelystä johtuvia vahinkoja (katso SKILin takuehdot osoitteesta www.skil.com tai kysy jälleenmyyjältä)

YMPÄRISTÖNSUOJELU

- **Älä hävitä sähkötyökalua, paristoja, tarvikkeita tai pakkausta tavallisen kotitalousjätteen mukana** (koskee vain EU-maita)
 - vanhoja sähkö- ja elektroniikkalaitteita koskevan EU-direktiivin 2012/19/ETY ja sen maakohtaisten sovellusten mukaisesti käytetyt sähkötyökalut on toimitettava ongelmajätteen keräyspisteeseen ja ohjattava ympäristöstävälliseen kierrätykseen
 - symboli ⑤ muistuttaa tästä, kun käytöstä poisto tulee ajankohtaiseksi

MELU / TÄRINÄ

- Mitattuna EN 62841 mukaan työkalun melutaso on 83 dB(A) ja yleensä työkalun äänen voimakkuus on 94 dB(A) (keskihajonta: 3 dB), ja tärinän voimakkuus $3,3 \text{ m/s}^2$ (kolmen suunnan vektorisumma; epävarmuus $K = 1,5 \text{ m/s}^2$)
 - Tärinäsaiteilytaso on mitattu standardin EN 62841 mukaisen standarditestin mukaisesti; sitä voidaan käyttää verrattaessa yhtä laitetta toiseen sekä alustavana tärinälle altistumisen arviona käytettäessä laitetta manituissa käyttötarkoituksissa
 - laitteen käyttö eri käyttötarkoituksiin tai erilaisten tai huonosti ylläpidettyjen lisälaitteiden kanssa voi **lisätä** merkittävästi altistumistasoa
 - laitteen ollessa sammuksissa tai kun se on käynnissä, mutta sillä ei tehdä työtä, altistumistaso voi olla huomattavasti **pienempi**
- ! suojaudu tärinän vaikutuksilta ylläpitämällä laite ja sen lisävarusteet, pitämällä kädet lämpiminä ja järjestämällä työmenetelmät**

E

Mezcladora

1608

INTRODUCCIÓN

- Esta mezcladora electrónica está diseñada para mezclar de forma fácil y sencilla varias sustancias
- Cuenta con varias palas de mezclado que permiten combinar distintas sustancias (tipos distintos de combinaciones de cementos, pegamentos de construcción, pinturas, compuestos de nivelación, argamasa de acabado y secado, etc.)
- El volumen de mezcla recomendado depende del tipo y estado de la sustancia a mezclar, y del tipo de la pala utilizada
- No mezcle más de 40 litros de sustancia a la vez
- Esta herramienta no está concebida para uso profesional
- Lea y conserve este manual de instrucciones ③

DATOS TÉCNICOS ①

ELEMENTOS DE LA HERRAMIENTA ②

- A Interruptor para encendido/apagado y control de velocidad
- B Botón para bloquear el interruptor
- C Estructura de protección
- D Pala de mezclado
- E Eje
- F Ranuras de ventilación
- G Llave (2)
- H Llave hexagonal

SEGURIDAD

ADVERTENCIAS DE PELIGRO GENERALES PARA HERRAMIENTAS ELÉCTRICAS

⚠ ADVERTENCIA Lea todas las advertencias de seguridad, instrucciones, ilustraciones y especificaciones entregadas con esta herramienta eléctrica. El incumplimiento de alguna de las instrucciones que figuran a continuación puede ser causa de descargas eléctricas, incendios o lesiones graves.

Guardar todas las advertencias de peligro e instrucciones para futuras consultas.

El término "herramienta eléctrica" empleado en las siguientes advertencias de peligro se refiere a herramientas eléctricas de conexión a la red (con cable de red) y a herramientas eléctricas accionadas por acumulador (o sea, sin cable de red).

1) SEGURIDAD DEL PUESTO DE TRABAJO

- a) **Mantenga limpia y bien iluminada su área de trabajo.** El desorden o una iluminación deficiente en las áreas de trabajo pueden provocar accidentes.
- b) **No utilice la herramienta eléctrica en un entorno con peligro de explosión, en el que se encuentren combustibles líquidos, gases o material en polvo.** Las herramientas eléctricas producen chispas que pueden llegar a inflamar los materiales en polvo o vapores.
- c) **Mantenga alejados a los niños y otras personas de su área de trabajo al emplear la herramienta eléctrica.** Una distracción le puede hacer perder el control sobre la herramienta.

2) SEGURIDAD ELÉCTRICA

- a) **El enchufe de la herramienta eléctrica debe corresponder a la toma de corriente utilizada. No es admisible modificar el enchufe en forma alguna. No emplear adaptadores en herramientas eléctricas dotadas con una toma de tierra.** Los enchufes sin modificar adecuados a las respectivas tomas de corriente reducen el riesgo de una descarga eléctrica.
- b) **Evite que su cuerpo toque partes conectadas a tierra como tuberías, radiadores, cocinas y refrigeradores.** El riesgo a quedar expuesto a una descarga eléctrica es mayor si su cuerpo tiene contacto con tomas de tierra.
- c) **No exponga las herramientas eléctricas a la lluvia o a condiciones de humedad.** Existe el peligro de recibir una descarga eléctrica si penetran líquidos en la herramienta eléctrica.

- d) **No utilice el cable de red para transportar o colgar la herramienta eléctrica, ni tire de él para sacar el enchufe de la toma de corriente. Mantenga el cable de red alejado del calor, aceite, esquinas cortantes o piezas móviles.** Los cables de red dañados o enredados pueden provocar una descarga eléctrica.
- e) **Al trabajar con la herramienta eléctrica en la intemperie utilice solamente cables de prolongación homologados para su uso en exteriores.** La utilización de un cable de prolongación adecuado para su uso en exteriores reduce el riesgo de una descarga eléctrica.
- f) **Si el funcionamiento de una herramienta eléctrica en un lugar húmedo fuese inevitable, utilice un cortacircuito de fuga a tierra.** El uso de un cortacircuito de fuga a tierra reduce el riesgo de descarga eléctrica.

3) SEGURIDAD DE PERSONAS

- a) **Esté atento y emplee la herramienta eléctrica con prudencia. No utilice la herramienta eléctrica si estuviese cansado, ni bajo los efectos de alcohol, drogas o medicamentos.** El no estar atento durante el uso de una herramienta eléctrica puede provocarle serias lesiones.
- b) **Utilice un equipo de protección personal y en todo caso unas gafas de protección.** El riesgo a lesionarse se reduce considerablemente si, dependiendo del tipo y la aplicación de la herramienta eléctrica empleada, se utiliza un equipo de protección adecuado como una mascarilla antipolvo, zapatos de seguridad con suela antideslizante, casco, o protectores auditivos.
- c) **Evite una puesta en marcha fortuita. Asegurarse de que la herramienta eléctrica esté desconectada antes de conectarla a la toma de corriente y/o al montar el acumulador, al recogerla, y al transportarla.** Si transporta la herramienta eléctrica sujetándola por el interruptor de conexión/desconexión, o si introduce el enchufe en la toma de corriente con la herramienta eléctrica conectada, ello puede dar lugar a un accidente.
- d) **Retire las herramientas de ajuste o llaves fijas antes de conectar la herramienta eléctrica.** Una herramienta o llave colocada en una pieza rotativa puede producir lesiones graves al accionar la herramienta eléctrica.
- e) **Sea precavido. Trabaje sobre una base firme y mantenga el equilibrio en todo momento.** Ello le permitirá controlar mejor la herramienta eléctrica en caso de presentarse una situación inesperada.
- f) **Lleve puesta una vestimenta de trabajo adecuada. No utilice vestimenta amplia ni joyas. Mantenga su pelo y vestimenta alejados de las piezas móviles.** La vestimenta suelta, las joyas y el pelo largo se pueden enganchar con las piezas en movimiento.
- g) **Siempre que sea posible utilizar equipos de aspiración o captación de polvo, asegúrese que éstos estén montados y que sean utilizados correctamente.** El empleo de estos equipos reduce los riesgos derivados del polvo.
- h) **No permita que la familiaridad ganada por el uso frecuente de la herramienta eléctrica lo deje creerse seguro e ignoren las normas de seguridad.** Una acción negligente puede causar lesiones graves en una fracción de segundo.

4) CUIDADO Y UTILIZACIÓN DE HERRAMIENTAS ELÉCTRICAS

- a) **No sobrecargue la herramienta eléctrica. Use la herramienta eléctrica prevista para el trabajo a realizar.** Con la herramienta eléctrica adecuada podrá trabajar mejor y con mayor seguridad dentro del margen de potencia indicado.
 - b) **No utilice herramientas eléctricas con un interruptor defectuoso.** Las herramientas eléctricas que no se puedan conectar o desconectar son peligrosas y deben repararse.
 - c) **Saque el enchufe de la red y/o retire el acumulador desmontable de la herramienta eléctrica, antes de realizar un ajuste, cambiar de accesorio o al guardar la herramienta eléctrica.** Esta medida preventiva reduce el riesgo de conectar accidentalmente la herramienta eléctrica.
 - d) **Guarde las herramientas eléctricas fuera del alcance de los niños y de las personas que no estén familiarizadas con su uso.** Las herramientas eléctricas utilizadas por personas inexpertas son peligrosas.
 - e) **Cuide la herramienta eléctrica y los accesorios con esmero. Controle si funcionan correctamente, sin atascarse, las partes móviles de la herramienta eléctrica, y si existen partes rotas o deterioradas que pudieran afectar al funcionamiento de la herramienta eléctrica. Si la herramienta eléctrica estuviese defectuosa haga repararla antes de volver a utilizarla.** Muchos de los accidentes se deben a herramientas eléctricas con un mantenimiento deficiente.
 - f) **Mantenga los útiles limpios y afilados.** Los útiles mantenidos correctamente se dejan guiar y controlar mejor.
 - g) **Utilice herramientas eléctricas, accesorios, útiles, etc. de acuerdo con estas instrucciones, teniendo en cuenta las condiciones de trabajo y la tarea a realizar.** El uso de herramientas eléctricas para trabajos diferentes de aquellos para los que han sido concebidas puede resultar peligroso.
 - h) **Mantenga las empuñaduras y las superficies de las empuñaduras secas, limpias y libres de aceite y grasa.** Las empuñaduras y las superficies de las empuñaduras resbaladizas no permiten un manejo y control seguro de la herramienta eléctrica en situaciones imprevistas.
- ### 5) SERVICIO
- a) **Únicamente haga reparar su herramienta eléctrica por un profesional, empleando exclusivamente piezas de repuesto originales.** Solamente así se mantiene la seguridad de la herramienta eléctrica.

INSTRUCCIONES DE SEGURIDAD PARA MEZCLADORAS

- a) **Sujete la herramienta con ambas manos en las empuñaduras previstas.** La pérdida de control puede ser causa de lesiones personales.
- b) **Asegúrese de que haya suficiente ventilación al mezclar materiales inflamables para evitar entornos peligrosos.** El vapor en desarrollo puede inhalarse o inflamarse por las chispas que produce la herramienta eléctrica.

- c) **No mezcle alimentos.** Las herramientas eléctricas y sus accesorios no están diseñados para procesar alimentos.
- d) **Mantenga el cable alejado del área de trabajo.** El cable puede enredarse con la paleta mezcladora.
- e) **Asegúrese de que el recipiente de mezcla se coloca en una posición firme y segura.** Un contenedor que no esté bien asegurado puede moverse inesperadamente.
- f) **Asegúrese de que ningún líquido salpique contra la carcasa de la herramienta eléctrica.** Si un líquido penetra en la herramienta eléctrica, puede causar daños y provocar una descarga eléctrica.
- g) **Siga las instrucciones y advertencias para el material a mezclar.** El material a mezclar puede ser nocivo.
- h) **Si la herramienta eléctrica cae en el material que se va a mezclar, desenchufe la herramienta inmediatamente y haga que una persona cualificada la revise.** Entrar en contacto con el cubo con la herramienta aún enchufada puede provocar una descarga eléctrica.
- i) **No introduzca las manos en el recipiente de mezcla ni introduzca ningún otro objeto en él mientras se esté mezclando.** El contacto con la paleta mezcladora puede provocar graves lesiones personales.
- j) **Arranque y baje la herramienta únicamente en el recipiente de mezcla.** La paleta mezcladora puede doblarse o girar de forma descontrolada.

INSTRUCCIONES DE SEGURIDAD ADICIONALES

- Compruebe siempre que la tensión de alimentación es la misma que la indicada en la placa de características de la herramienta
- Nunca utilice la herramienta si el cable está dañado; debe ser sustituido por un cable especialmente preparado disponible a través de la organización de asistencia.
- Nunca utilice la herramienta en o cerca de ambientes explosivos
- Nunca mezcle sustancias combustibles
- Utilice guantes protectores, una mascarilla antipolvo, vestimenta ceñida al cuerpo y calzado robusto
- El nivel de ruido, con la herramienta trabajando, podrá sobrepasar 85 dB(A); **usar protectores auditivos**
- SKIL únicamente puede garantizar un funcionamiento correcto de la herramienta al emplear accesorios originales
- **No utilice extensiones de paleta mezcladora**
- **Desenchufar siempre la herramienta antes de realizar cualquier ajuste o cambiar algún accesorio**

EXPLICACIÓN DE LOS SÍMBOLOS DE LA HERRAMIENTA

- ③ Lea el manual de instrucciones antes de utilizarla
- ④ Doble aislamiento (no requiere cable de tierra)
- ⑤ No deseche las herramientas eléctricas y las pilas junto con los residuos domésticos

USO

- Encendido/apagado ⑥
! tenga cuidado con las fuerzas resultantes del bloqueo; mantenga firme la herramienta con las dos manos y adopte una posición estable
- Control de velocidad para un arranque suave ⑦
- Estructura de protección ⑧
- para proteger la herramienta

- para guiar la herramienta
- para desmontar la herramienta de forma sencilla
- coloque la estructura de protección C antes de utilizar la herramienta por primera vez

! nunca utilice la herramienta sin la estructura de protección

- Utilización de la herramienta
! asegúrese de que la herramienta está desactivada
 - coloque la pala de mezclado D en el eje E de la forma ilustrada ⑨
 - enchufar a la red
 - asegúrese de que el contenedor de mezclado está colocado correctamente en el suelo
 - meta la pala de mezclado en la sustancia a mezclar **antes de encender la herramienta**, y aumente gradualmente la velocidad de mezclado poniendo más presión en el gatillo (de modo que la sustancia no salpique y la herramienta no se sobrecargue)
 - ! apague la herramienta cuando la pala de mezclado esté en el contenedor de mezclado**
- Sujeción y manejo de la herramienta ⑩
! durante el trabajo, sujete siempre la herramienta por la(s) zona(s) de empuñadura de color gris
! mantenga siempre firme la herramienta con ambas manos

MANTENIMIENTO / SERVICIO

- Esta herramienta no está concebida para uso profesional
- Mantenga limpio el cable eléctrico y la herramienta (sobre todo las ranuras de ventilación)
 - siempre limpie el mezclador y los componentes funcionales después del trabajo de mezclado
 - limpie la herramienta con un paño seco y suave (no emplee productos de limpieza o disolventes)
 - limpie las ranuras de ventilación F ⑫ frecuentemente con una brocha o con aire comprimido
- ! desenchufar la herramienta antes de limpiar**
- Si a pesar de los esmerados procesos de fabricación y control, la herramienta llegase a averiarse, la reparación deberá encargarse a un servicio técnico autorizado para herramientas eléctricas SKIL
 - envíe la herramienta **sin desmontar** junto con una prueba de su compra a su distribuidor o a la estación de servicio más cercana de SKIL (los nombres así como el despiece de piezas de la herramienta figuran en www.skil.com)
- Tenga presente que los daños debido a sobrecargas o al manejo inadecuado de la herramienta serán excluidos de la garantía (consulte las condiciones de garantía de SKIL en www.skil.com o consulte a su distribuidor)

AMBIENTE

- **No deseche las herramientas eléctricas, las pilas, los accesorios y embalajes junto con los residuos domésticos** (sólo para países de la Unión Europea)
 - de conformidad con la Directiva Europea 2012/19/CE sobre residuos de aparatos eléctricos y electrónicos y su aplicación de acuerdo con la legislación nacional, las herramientas eléctricas cuya vida útil haya llegado a su fin se deberán recoger por separado y trasladar a una planta de reciclaje que cumpla con las exigencias ecológicas

- símbolo ⑤ chamará su atención en caso de necesidad de tirarlas

RUIDOS / VIBRACIONES

- Medido según EN 62841 el nivel de la presión acústica de esta herramienta se eleva a 83 dB(A) y el nivel de la potencia acústica a 94 dB(A) (desviación estándar: 3 dB), y la vibración a 3,3 m/s² (suma vectorial de tres direcciones; incertidumbre K = 1,5 m/s²)
- El nivel de emisión de vibraciones ha sido medido según una prueba estándar proporcionada en EN 62841; puede utilizarse para comparar una herramienta con otra y como valoración preliminar de la exposición a las vibraciones al utilizar la herramienta con las aplicaciones mencionadas
 - al utilizarla para distintas aplicaciones o con accesorios diferentes o con un mantenimiento deficiente, podría **aumentar** de forma notable el nivel de exposición
 - en las ocasiones en que se apaga la herramienta o cuando está funcionando pero no está realizando ningún trabajo, se podría **reducir** el nivel de exposición de forma importante
- ! **protéjase contra los efectos de la vibración realizando el mantenimiento de la herramienta y sus accesorios, manteniendo sus manos calientes y organizando sus patrones de trabajo**



P

Misturador

1608

INTRODUÇÃO

- Este misturador eléctrico destina-se a ser utilizado para misturar substâncias de forma fácil e simples
- Com várias pás misturadoras é possível misturar uma grande variedade de substâncias (diferentes tipos de misturas de cimento, colas para construção, tintas, compostos de nivelación, argamassa para acabado e argamassa seca, etc.)
- O volume de mistura recomendado depende do tipo e do estado da substância a ser misturada, e do tipo de pá utilizado
- Não misture mais de 40 litros de uma substância de cada vez
- Esta ferramenta não se destina a utilização profissional
- Leia e guarde este manual de instruções ③

DADOS TÉCNICOS ①

ELEMENTOS DA FERRAMENTA ②

- A Interruptor para ligar/desligar e regulação da velocidade
- B Botão de fixação do interruptor
- C Armação de protecção
- D Pá misturadora
- E Veio
- F Aberturas de ventilação

- G Chave (2)
- H Chave sextavada

SEGURANÇA

INDICAÇÕES GERAIS DE SEGURANÇA PARA FERRAMENTAS ELÉTRICAS

AVISO Leia todos os avisos de segurança, instruções, ilustrações e especificações fornecidas com esta ferramenta eléctrica. O incumprimento de todas as instruções enumeradas abaixo poderá resultar em choque eléctrico, incêndio e/ou lesão grave.

Guarde bem todas as advertências e instruções para futura referência.

O termo “ferramenta eléctrica” utilizado a seguir nas indicações de advertência, refere-se a ferramentas eléctricas operadas com corrente de rede (com cabo de rede) e a ferramentas eléctricas operadas com acumulador (sem cabo de rede).

1) SEGURANÇA DA ÁREA DE TRABALHO

- a) **Mantenha a sua área de trabalho limpa e arrumada.** Desordem ou áreas de trabalho com fraca iluminação podem causar acidentes.
- b) **Não trabalhar com a ferramenta eléctrica em áreas com risco de explosão, nas quais se encontrem líquidos, gases ou pós inflamáveis.** Ferramentas eléctricas produzem faíscas que podem provocar a ignição de pó e vapores.
- c) **Mantenha crianças e outras pessoas afastadas da ferramenta eléctrica durante o trabalho com a ferramenta.** Distrações podem causar a falta de controlo sobre o aparelho.

2) SEGURANÇA ELÉTRICA

- a) **As fichas das ferramentas eléctricas devem caber na tomada. A ficha não deve ser modificada de modo algum. Não utilize quaisquer fichas de adaptação junto com ferramentas eléctricas ligadas à terra.** Fichas sem modificações e tomadas adequadas reduzem o risco de choques eléctricos.
- b) **Evite que o corpo entre em contacto com superfícies ligadas à terra, como por exemplo tubos, radiadores, fogões e geladeiras.** Há um risco elevado de choques eléctricos, caso o corpo for ligado à terra.
- c) **A ferramenta eléctrica não deve ser exposta à chuva nem humidade.** A penetração de água na ferramenta eléctrica aumenta o risco de choques eléctricos.
- d) **O cabo do aparelho não deve ser utilizado para o transporte, para pendurar o aparelho, nem para puxar a ficha da tomada. Mantenha o cabo afastado de calor, óleo, cantos afiados ou partes em movimento do aparelho.** Cabos danificados ou torcidos aumentam o risco de choques eléctricos.
- e) **Ao trabalhar com a ferramenta eléctrica ao ar livre, use um cabo de extensão apropriado para áreas externas.** O uso de um cabo apropriado para áreas externas reduz o risco de choques eléctricos.
- f) **Se não for possível evitar o funcionamento da ferramenta eléctrica em áreas húmidas, deverá ser utilizado um disjuntor de corrente de avaria. A**

utilização de um disjuntor de corrente de avaria reduz o risco de um choque eléctrico.

3) SEGURANÇA DE PESSOAS

- a) **Esteja alerta, observe o que está a fazer, e tenha prudência ao trabalhar com a a ferramenta eléctrica. Não use a ferramenta eléctrica se estiver fadigado ou sob a influência de drogas, álcool ou medicamentos.** Um momento de falta de atenção durante a operação da ferramenta eléctrica pode causar graves lesões.
 - b) **Utilizar equipamento de protecção pessoal e sempre óculos de protecção.** A utilização de equipamento de protecção pessoal, como máscara de protecção contra pó, sapatos de segurança antiderrapantes, capacete de segurança ou protecção auricular, de acordo com o tipo e aplicação da ferramenta eléctrica, reduz o risco de lesões.
 - c) **Evitar uma colocação em funcionamento involuntária. Assegure-se de que a ferramenta eléctrica esteja desligada, antes de conectá-la à alimentação de rede e/ou ao acumulador, antes de levantá-la ou de transportá-la.** Se tiver o dedo no interruptor ao transportar a ferramenta eléctrica ou se o aparelho for conectado à alimentação de rede enquanto estiver ligado, poderão ocorrer acidentes.
 - d) **Remover chaves de ajustes ou chaves de fenda, antes de ligar a ferramenta eléctrica.** Uma chave de fenda ou chave de ajuste que se encontre numa parte móvel do aparelho, pode levar a lesões.
 - e) **Não se sobrestime. Mantenha uma posição firme e mantenha sempre o equilíbrio.** Desta forma poderá ser mais fácil controlar o aparelho em situações inesperadas.
 - f) **Use roupa apropriada. Não use roupa larga ou jóias. Mantenha os cabelos e roupas afastados de partes em movimento.** Roupas largas, jóias ou cabelos longos podem ser agarradas por partes em movimento.
 - g) **Se for prevista a montagem de dispositivos de aspiração de pó e de dispositivos de recolha, assegure-se de que estão conectados e que sejam utilizados de forma correcta.** A utilização de uma aspiração de pó pode reduzir o perigo devido ao pó.
 - h) **Não deixe que a familiaridade resultante de uma utilização frequente de ferramentas permita que você se torne complacente e ignore os princípios de segurança da ferramenta.** Uma acção descuidada pode causar ferimentos graves numa fração de segundo.
- ### 4) USO E TRATAMENTO DE FERRAMENTAS ELÉTRICAS
- a) **Não sobrecarregue a ferramenta eléctrica. Use para o seu trabalho a ferramenta eléctrica correcta.** A ferramenta correcta realizará o trabalho de forma melhor e mais segura dentro da faixa de potência indicada.
 - b) **Não utilize a ferramenta eléctrica se o interruptor não puder ser ligado nem desligado.** Qualquer ferramenta eléctrica que não possa ser controlada através do interruptor de ligar-desligar, é perigosa e deve ser reparada.
 - c) **Puxar a ficha da tomada e/ou remover o acumulador, se amovível, antes de executar ajustes na ferramenta, de substituir acessórios ou de guardar a ferramenta.** Esta medida de segurança evita que a ferramenta eléctrica seja ligada acidentalmente.

- d) **Guarde ferramentas eléctricas que não estiverem sendo utilizadas, for a do alcance de crianças. Não permita que o aparelho seja utilizado por pessoas não familiarizadas com o mesmo ou que não tenham lido estas instruções.** Ferramentas eléctricas são perigosas nas mãos de pessoas sem treinamento.
 - e) **Trate a ferramenta eléctrica e os acessórios com cuidado. Verifique se as partes móveis do aparelho funcionam perfeitamente e não emperram, se há peças quebradas ou danificadas, que possam influenciar o funcionamento do aparelho. Peças danificadas devem ser reparadas antes da utilização do aparelho.** Muitos acidentes tem como causa uma manutenção insuficiente das ferramentas eléctricas.
 - f) **Mantenha as ferramentas de corte sempre afiadas e limpas.** Ferramentas de cortes devidamente tratadas, com cantos afiados travam com menos frequência e podem ser controladas com maior facilidade.
 - g) **Use a ferramenta eléctrica, os acessórios os bits da ferramenta etc., de acordo com estas instruções. Considere também as condições de trabalho e o trabalho a ser efectuado.** A utilização da ferramenta eléctrica para outros fins que os previstos, pode resultar em situações perigosas.
 - h) **Mantenha os punhos e as superfícies de agarrar secas, limpas e livres de óleo e massa consistente.** Punhos e superfícies de agarrar escorregadias não permitem o manuseio e controlo seguros da ferramenta em situações inesperadas.
- ### 5) SERVIÇO
- a) **A sua ferramenta eléctrica só deve ser reparada por pessoal qualificado e só devem ser colocadas peças sobressalentes originais.** Desta forma é assegurada a segurança da ferramenta eléctrica.

INSTRUÇÕES DE SEGURANÇA PARA MISTURADORES

- a) **Segure a ferramenta com ambas as mãos nas pegadas previstas.** A perda de controlo pode causar lesões pessoais.
- b) **Certifique-se de que existe ventilação suficiente quando misturar materiais inflamáveis para evitar uma atmosfera perigosa.** Os vapores podem ser inalados ou inflamados por faíscas produzidas pela ferramenta eléctrica.
- c) **Não misture alimentos.** As ferramentas eléctricas e respetivos acessórios não foram concebidos para processar alimentos.
- d) **Mantenha o cabo afastado da área de trabalho.** O cabo pode ficar emaranhado na pá misturadora.
- e) **Certifique-se de que o depósito de mistura está numa posição firme e segura.** Um depósito fixado incorretamente pode sofrer movimentos inesperados.
- f) **Certifique-se de que não existem derrames de líquidos contra a carcaça da ferramenta eléctrica.** O líquido derramado na ferramenta eléctrica pode causar danos e choques eléctricos.
- g) **Siga as instruções e os avisos para o material a misturar.** O material a misturar pode ser perigoso.
- h) **Se a ferramenta eléctrica cair no material a misturar, desligue a ferramenta imediatamente e peça a um técnico de reparação qualificado para verificar a**

ferramenta eléctrica. Mexer no balde com a ferramenta ligada pode causar choques eléctricos.

- i) **Não mexa no depósito de mistura com as mãos nem introduza quaisquer objetos nele durante a mistura.** O contacto com a pá misturadora pode causar lesões pessoais graves.
- j) **Ligue e escorra a ferramenta apenas no depósito de mistura.** A pá misturadora pode dobrar-se ou rodar de uma forma descontrolada.

ADVERTÊNCIAS DE SEGURANÇA ADICIONAIS

- Certifique-se sempre de que a tensão de alimentação está de acordo com a tensão indicada na placa de identificação da ferramenta
- Nunca use a ferramenta se o cabo estiver danificado; este tem de ser substituído por um cabo especialmente preparado disponível através da organização de assistência.
- Nunca utilize esta ferramenta em ou perto de atmosferas explosivas
- Nunca misture substâncias combustíveis
- Use luvas protectoras, uma máscara contra os póis, roupas justas e calçado robusto
- O nível de ruído durante o trabalho pode exceder 85 dB(A); **utilize protectores auriculares**
- A SKIL só pode garantir um funcionamento perfeito da ferramenta, quando utilizada com os acessórios originais
- **Não utilizar extensões da pá misturadora**
- **Desligue sempre a ficha da tomada antes de proceder a qualquer ajustamento ou troca de acessório**

EXPLICAÇÃO DOS SÍMBOLOS DA FERRAMENTA

- ③ Leia o manual de instruções antes de utilizar o equipamento
- ④ Isolamento duplo (nenhum fio de terra necessário)
- ⑤ Não deite ferramentas eléctricas e pilhas no lixo doméstico

MANUSEAMENTO

- Ligar/desligar ⑥
 - ! **tenha especial atenção com eventuais contra-golpes que possam ocorrer se a ferramenta bloquear; segure a ferramenta com ambas as mãos e mantenha uma posição firme**
- Regulação da velocidade para arranque suave ⑦
- Armação de protecção ⑧
 - para protecção da ferramenta
 - para orientação da ferramenta
 - para colocar a ferramenta de parte de um modo simples
 - monte a armação de protecção C antes de usar a ferramenta pela primeira vez
 - ! **nunca utilize a ferramenta sem a armação de protecção**
- Utilização da ferramenta
 - ! **certifique-se de que a ferramenta está desligada**
 - monte a pá misturadora D no eixo E como ilustrado ⑨
 - ligue a ficha na tomada
 - assegure-se de que o recipiente de mistura se encontra posicionado de forma segura no chão
 - mergulhe a pá misturadora na substância de mistura **antes de ligar a ferramenta** e, de seguida, aumente gradualmente a velocidade de mistura colocando

cada vez mais pressão no gatilho (de modo a que a substância não salpique e que a ferramenta não seja sobrecarregada)

- ! **desligue a ferramenta apenas quando a pá misturadora se encontrar no recipiente de mistura**
- Segurar e guiar a ferramenta ⑩
 - ! **durante o trabalho, segure sempre a ferramenta na(s) área(s) de fixação cinzenta(s)**
 - ! **segure sempre a ferramenta firmemente com ambas as mãos**

MANUTENÇÃO / SERVIÇO

- Esta ferramenta não se destina a utilização profissional
- Mantenha a ferramenta e o fio sempre limpos (especialmente as aberturas de ventilação)
 - limpe sempre o misturador e as peças funcionais depois do trabalho de mistura
 - limpe a ferramenta com um pano seco e macio (não utilize decapantes ou solventes)
 - limpe os orifícios de ventilação F ② regularmente com uma escova ou com ar comprimido
- ! **desligar a ferramenta da fonte de corrente antes de limpar**
- Se a ferramenta falhar apesar de cuidadosos processos de fabricação e de teste, a reparação deverá ser executada por uma oficina de serviço autorizada para ferramentas eléctricas SKIL
 - envie a ferramenta **sem desmontar**, juntamente com a prova de compra, para o seu revendedor ou para o centro de assistência SKIL mais próximo (os endereços assim como a mapa de peças da ferramenta estão mencionados no www.skil.com)
- Não se esqueça de que os danos provocados por sobrecarga ou manuseamento incorrecto da ferramenta estão excluídos da garantia (para mais informações sobre as condições da garantia da SKIL, consulte www.skil.com ou pergunte ao seu revendedor)

AMBIENTE

- **Não deite ferramentas eléctricas, pilhas, acessórios e embalagem no lixo doméstico** (apenas para países da UE)
 - de acordo com a directiva europeia 2012/19/CE sobre ferramentas eléctricas e electrónicas usadas e a transposição para as leis nacionais, as ferramentas eléctricas usadas devem ser recolhidas em separado e encaminhadas a uma instalação de reciclagem dos materiais ecológica
 - símbolo ⑤ lhe avisará em caso de necessidade de arranjar-las

RUÍDO / VIBRAÇÃO

- Medido segundo EN 62841 o nível de pressão acústica desta ferramenta é 83 dB(A) e o nível de potência acústica 94 dB(A) (espaço de erro: 3 dB), e a vibração 3,3 m/s² (soma de vectores de três direcções; incerteza K = 1,5 m/s²)
- O nível de emissão de vibrações foi medido de acordo com um teste normalizado fornecido na EN 62841; pode ser utilizado para comparar uma ferramenta com outra e como uma avaliação preliminar de exposição à

vibração quando utilizar a ferramenta para as aplicações mencionadas

- utilizar a ferramenta para diferentes aplicações ou com acessórios diferentes ou mantidos deficientemente, pode **umentar** significativamente o nível de exposição

- o número de vezes que a ferramenta é desligada ou quando estiver a trabalhar sem fazer nada, pode **reduzir** significativamente o nível de exposição

! proteja-se contra os efeitos da vibração, mantendo a ferramenta e os acessórios, mantendo as mãos quentes e organizando os padrões de trabalho

I

Mescolatore

1608

INTRODUZIONE

- Questo mescolatore elettronico è previsto per una facile miscelatura delle sostanze
- Grazie alle varie pale mescolatrici, potranno essere miscelate numerose sostanze (diversi tipi di miscele di cemento, collanti edili, vernici, composti livellanti, malta di finitura e secca, ecc.)
- Il volume di miscelatura consigliato dipende dal tipo e dallo stato della sostanza che deve essere mescolata, e dal tipo della pala utilizzata
- Non mescolare più di 40 litri di una sostanza per volta
- Questo utensile non è inteso per un uso professionale
- Leggete e conservate questo manuale di istruzione ③

DATI TECNICI ①

ELEMENTI UTENSILE ②

- A** Interruttore di accensione/spegnimento e regolazione della velocità
- B** Pulsante di blocco dell'interruttore
- C** Struttura protettiva
- D** Pala mescolatrice
- E** Albero
- F** Feritoie di ventilazione
- G** Chiave (2)
- H** Chiave esagonale

SICUREZZA

AVVERTENZE GENERALI DI PERICOLO PER ELETTROUTENSILI

AVVERTENZA Leggere tutte le avvertenze di sicurezza, istruzioni, illustrazioni e specifiche fornite con l'utensile. La mancata osservanza di tutte le istruzioni sottoelencate potrebbe causare delle scariche elettriche, principi d'incendio e/o gravi lesioni.

Conservare tutte le avvertenze di pericolo e le istruzioni operative per ogni esigenza futura.

Il termine "elettroutensile" utilizzato nelle avvertenze di pericolo si riferisce ad elettroutensili alimentati dalla rete (con linea di allacciamento) ed ad elettroutensili alimentati a batteria (senza linea di allacciamento).

1) SICUREZZA DELLA POSTAZIONE DI LAVORO

- Mantenere pulito ed ordinato il posto di lavoro.** Il disordine o le zone di lavoro non illuminate possono essere fonte di incidenti.
- Evitare d'impiegare l'elettrotensile in ambienti soggetti al rischio di esplosioni nei quali si trovino liquidi, gas o polveri infiammabili.** Gli elettrotensili producono scintille che possono far infiammare la polvere o i gas.
- Mantenere lontani i bambini ed altre persone durante l'impiego dell'elettrotensile.** Eventuali distrazioni potranno comportare la perdita del controllo sull'elettrotensile.

2) SICUREZZA ELETTRICA

- La spina per la presa di corrente dovrà essere adatta alla presa. Evitare assolutamente di apportare modifiche alla spina. Non impiegare spine adattatrici assieme ad elettrotensili con collegamento a terra.** Le spine non modificate e le prese adatte allo scopo riducono il rischio di scosse elettriche.
- Evitare il contatto fisico con superfici collegate a terra, come tubi, riscaldamenti, cucine elettriche e frigoriferi.** Sussiste un maggior rischio di scosse elettriche nel momento in cui il corpo è messo a massa.
- Custodire l'elettrotensile al riparo dalla pioggia o dall'umidità.** L'eventuale infiltrazione di acqua in un elettrotensile va ad aumentare il rischio d'insorgenza di scosse elettriche.
- Non usare il cavo per scopi diversi da quelli previsti al fine di trasportare o appendere l'elettrotensile, oppure di togliere la spina dalla presa di corrente. Mantenere l'elettrotensile al riparo da fonti di calore, dall'olio, dagli spigoli o da pezzi in movimento.** I cavi danneggiati o aggrovigliati aumentano il rischio d'insorgenza di scosse elettriche.
- Qualora si voglia usare l'elettrotensile all'aperto, impiegare solo ed esclusivamente cavi di prolunga omologati per l'impiego all'esterno.** L'uso di un cavo di prolunga omologato per l'impiego all'esterno riduce il rischio d'insorgenza di scosse elettriche.
- Qualora non fosse possibile evitare di utilizzare l'elettrotensile in ambiente umido, utilizzare un interruttore di messa a terra.** L'uso di un interruttore di messa a terra riduce il rischio di una scossa elettrica.

3) SICUREZZA DELLE PERSONE

- È importante concentrarsi su ciò che si sta facendo e a maneggiare con giudizio l'elettrotensile durante le operazioni di lavoro. Non utilizzare l'elettrotensile in caso di stanchezza o sotto l'effetto di droghe, bevande alcoliche e medicinali.** Un attimo di distrazione durante l'uso dell'elettrotensile potrà causare lesioni gravi.
- Indossare sempre equipaggiamento protettivo individuale. Usare sempre protezioni per gli occhi.** Se si avrà cura d'indossare equipaggiamento protettivo individuale come la maschera antipolvere, la calzatura antidistrucchiolevole di sicurezza, il casco protettivo o la protezione dell'udito, a seconda dell'impiego previsto per l'elettrotensile, si potrà ridurre il rischio di ferite.
- Evitare l'accensione involontaria dell'elettrotensile. Prima di collegarlo alla rete di alimentazione elettrica e/o alla batteria ricaricabile, prima di prenderlo oppure prima di iniziare a trasportarlo,**

assicurarsi che l'elettrotensile sia spento.

Tenendo il dito sopra l'interruttore mentre si trasporta l'elettrotensile oppure collegandolo all'alimentazione di corrente con l'interruttore inserito, si vengono a creare situazioni pericolose in cui possono verificarsi seri incidenti.

- d) **Togliere gli attrezzi di regolazione o la chiave inglese prima di accendere l'elettrotensile.** Un elettrotensile o una chiave inglese che si trovino in una parte dell'elettrotensile in rotazione potranno causare lesioni.
- e) **È importante non sopravvalutarsi. Avere cura di mettersi in posizione sicura e di mantenere l'equilibrio.** In tale maniera sarà possibile controllare meglio l'elettrotensile in situazioni inaspettate.
- f) **Indossare vestiti adeguati. Evitare di indossare vestiti lenti o gioielli. Tenere capelli e vestiti lontani da parti in movimento.** Vestiti lenti, gioielli o capelli lunghi potranno impigliarsi in pezzi in movimento.
- g) **Se sussiste la possibilità di montare dispositivi di aspirazione o di captazione della polvere, assicurarsi che gli stessi siano stati installati correttamente e vengano utilizzati senza errori.** L'utilizzo di un'aspirazione polvere può ridurre lo svilupparsi di situazioni pericolose dovute alla polvere.
- h) **Una volta presa confidenza con gli utensili, evitare di trascurare le norme di sicurezza.** Una mancanza di attenzione può causare gravi lesioni in una frazione di secondo.
- 4) MANEGGIO ED IMPIEGO ACCURATO DI ELETTROTENSILI**
- a) **Non sovraccaricare l'elettrotensile. Impiegare l'elettrotensile adatto per sbrigare il lavoro.** Utilizzando l'elettrotensile adatto si potrà lavorare meglio e con maggior sicurezza nell'ambito della gamma di potenza indicata.
- b) **Non utilizzare elettrotensili con interruttori difettosi.** Un elettrotensile che non si può più accendere o spegnere è pericoloso e dovrà essere riparato.
- c) **Prima di procedere ad operazioni di regolazione sull'elettrotensile, prima di sostituire parti accessorie oppure prima di posare l'elettrotensile al termine di un lavoro, estrarre sempre la spina dalla presa della corrente e/o estrarre la batteria ricaricabile, se rimovibile.** Tale precauzione eviterà che l'elettrotensile possa essere messo in funzione inavvertitamente.
- d) **Custodire gli elettrotensili non utilizzati al di fuori della portata dei bambini. Non fare usare l'elettrotensile a persone che non sono abituate ad usarlo o che non abbiano letto le presenti istruzioni.** Gli elettrotensili sono pericolosi se utilizzati da persone inesperte.
- e) **Eeguire la manutenzione degli elettrotensili e degli accessori. Verificare che le parti mobili dell'elettrotensile funzionino perfettamente e non s'incepiscono, che non ci siano pezzi rotti o danneggiati al punto tale da limitare la funzione dell'elettrotensile stesso. Far riparare le parti danneggiate prima d'impiegare l'elettrotensile.** Numerosi incidenti vengono causati da elettrotensili la cui manutenzione è stata effettuata poco accuratamente.

- f) **Mantenere affilati e puliti gli elettrotensili da taglio.** Gli elettrotensili da taglio curati con particolare attenzione e con taglianti affilati s'incepiscono meno frequentemente e sono più facili da condurre.
- g) **Utilizzare elettrotensili, accessori, attrezzi, ecc. in conformità con le presenti istruzioni. Osservare le condizioni di lavoro ed il lavoro da eseguirsi durante l'impiego.** L'impiego di elettrotensili per usi diversi da quelli consentiti potrà dar luogo a situazioni di pericolo.
- h) **Mantenere impugnature e superfici di presa asciutte, pulite e prive di olio e grasso.** Impugnature e superfici di presa scivolose non consentono di manipolare e controllare l'utensile in caso di situazioni inaspettate.
- 5) ASSISTENZA**
- a) **Fare riparare l'elettrotensile solo ed esclusivamente da personale specializzato e solo impiegando pezzi di ricambio originali.** In tale maniera potrà essere salvaguardata la sicurezza dell'elettrotensile.

ISTRUZIONI DI SICUREZZA PER MESCOLATORI

- a) **Impugnare l'utensile con entrambe le mani usando le apposite impugnature.** La perdita di controllo dell'utensile potrebbe causare delle lesioni.
- b) **Garantire una sufficiente ventilazione quando si mescolano materiali infiammabili per evitare un'atmosfera pericolosa.** Il vapore emanato potrebbe essere inalato o acceso dalle scintille prodotte dall'elettrotensile.
- c) **Non miscelare alimenti.** Gli elettrotensili e i loro accessori non sono concepiti per essere utilizzati con alimenti.
- d) **Tenere il cavo lontano dall'area di lavoro.** Il cavo potrebbe rimanere impigliato nella pala del miscelatore.
- e) **Accertarsi che il contenitore di miscelazione sia messo in una posizione stabile e sicura.** Un contenitore poco stabile potrebbe spostarsi inaspettatamente.
- f) **Accertarsi che non vi siano spruzzi di liquido che vanno a finire sull'esterno dell'elettrotensile.** Se dovesse penetrare del liquido nell'elettrotensile, questo potrebbe causare danni e il pericolo di una scossa elettrica.
- g) **Seguire le istruzioni e le avvertenze per il materiale da miscelare.** Il materiale da miscelare potrebbe essere nocivo.
- h) **Se l'elettrotensile cade nel materiale da miscelare, staccare immediatamente l'utensile dalla corrente e farlo controllare da un riparatore qualificato.** Inserire l'elettrotensile nel secchio con il cavo ancora collegato potrebbe causare una scossa elettrica.
- i) **Non mettere le mani nel contenitore di miscelazione né inserire altri oggetti durante la miscelazione.** Il contatto con la pala di miscelazione potrebbe causare delle gravi lesioni personali.
- j) **Avviare e usare lo strumento solo nel contenitore di miscelazione.** La pala di miscelazione potrebbe piegarsi o girare in modo incontrollato.

ULTERIORI AVVERTENZE DI SICUREZZA

- Controllare che la tensione dell'alimentazione sia la stessa di quella indicata sulla targhetta dell'utensile

- Non usare mai l'utensile se il cavo è danneggiato; sostituire con un cavo apposito disponibile presso i centri di assistenza.
- Non utilizzare mai l'utensile in un ambiente esplosivo o nelle vicinanze dello stesso
- Non mescolare sostanze combustibili
- Portare guanti protettivi, una mascherina anti-polvere, abiti adatti ed aderenti al corpo e scarpe dure
- Durante le operazioni di lavoro il livello di rumorosità può superare 85 dB(A); **utilizzare le cuffie di protezione**
- La SKIL garantisce un perfetto funzionamento dell'utensile soltanto se vengono utilizzati accessori originali
- **Non usare estensioni della pala di miscelazione**
- **Staccate sempre la spina dell'utensile prima di effettuare regolazioni o cambiare gli accessori**

SPIEGAZIONE DEI SIMBOLI PRESENTI SULL'UTENSILE

- ③ Leggere il manuale di istruzioni prima dell'uso
- ④ Doppio isolamento (non è necessario alcun cavo di terra)
- ⑤ Non gettare l'elettroscopio e le batterie con i rifiuti domestici

USO

- Acceso/spento ⑥
 - ! **attenzione alle forze sviluppate in caso di bloccaggio dell'utensile; usate l'utensile con ambedue le mani ed assumete una sicura posizione di lavoro**
- Regolazione della velocità per un avviamento lento ⑦
- Struttura protettiva ⑧
 - per la protezione dell'utensile
 - per maneggiare l'utensile
 - per riporre l'utensile in modo semplice
 - montare la struttura protettiva C prima di utilizzare per la prima volta l'utensile
 - ! **non utilizzare mai l'utensile senza la struttura protettiva**
- Uso dell'utensile
 - ! **assicurarsi che l'utensile sia spento**
 - montare le pale mescolatrici D nel mandrino E come illustrato ⑨
 - inserire la spina nella presa di corrente
 - assicurarsi che il contenitore di miscelazione sia ben posizionato sul pavimento
 - immergere la pala mescolatrice nella sostanza da miscelare **prima di accendere l'utensile**; aumentare gradualmente la velocità di miscelazione esercitando una pressione maggiore sulla levetta di comando (evitando così che la sostanza venga schizzata all'esterno e l'utensile sia sovraccaricato)
 - ! **spegnere l'utensile esclusivamente quando la pala mescolatrice si trova ancora nel contenitore**
- Tenuta e guida dell'utensile ⑩
 - ! **durante la lavorazione, impugnare l'utensile sempre in corrispondenza della(e) area(e) grigia(e)**
 - ! **tenete sempre l'utensile con ambedue le mani**

MANUTENZIONE / ASSISTENZA

- Questo utensile non è inteso per un uso professionale
- Tenete sempre puliti utensile e cavo (soprattutto le feritoie di ventilazione)
 - pulire sempre il miscelatore e le parti operanti dopo la miscelazione

- pulite l'utensile con un panno soffice ed asciutto (non utilizzate agenti detergenti né solventi)
- pulire regolarmente le fessure di ventilazione F ⑫ con una spazzola o con aria compressa

! prima di pulire estrarre la spina dalla presa

- Se nonostante gli accurati procedimenti di produzione e di controllo l'utensile dovesse guastarsi, la riparazione va fatta effettuare da un punto di assistenza autorizzato per gli elettroscopii SKIL
 - inviare l'utensile **non smontato** assieme alle prove di acquisto al rivenditore oppure al più vicino centro assistenza SKIL (l'indirizzo ed il disegno delle parti di ricambio dell'utensile sono riportati su www.skil.com)
- Si tenga presente che eventuali danni causati da sovraccarico o da un utilizzo improprio dell'utensile verranno esclusi dalla garanzia (per le condizioni di garanzia SKIL, visitare il sito www.skil.com o contattare il proprio rivenditore)

TUTELA DELL'AMBIENTE

- **Non gettare l'elettroscopio, le batterie, gli accessori e l'imballaggio con i rifiuti domestici** (solo per Paesi UE)
 - secondo la Direttiva Europea 2012/19/CE sui rifiuti di utensili elettrici ed elettronici e la sua attuazione in conformità alle norme nazionali, gli elettroscopii esausti devono essere raccolti separatamente, al fine di essere reimpiagati in modo eco-compatibile
 - il simbolo ⑮ vi ricorderà questo fatto in fase di smaltimento

RUMOROSITÀ / VIBRAZIONE

- Misurato in conformità al EN 62841 il livello di pressione acustica di questo utensile è 83 dB(A) ed il livello di potenza acustica 94 dB(A) (deviazione standard: 3 dB), e la vibrazione 3,3 m/s² (somma dei vettori in tre direzioni; incertezza K = 1,5 m/s²)
- Il livello di emissione delle vibrazioni è stato misurato in conformità a un test standardizzato stabilito dalla norma EN 62841; questo valore può essere utilizzato per mettere a confronto un l'utensile con un altro o come valutazione preliminare di esposizione alla vibrazione quando si impiega l'utensile per le applicazioni menzionate
 - se si utilizza l'utensile per applicazioni diverse, oppure con accessori differenti o in scarse condizioni, il livello di esposizione potrebbe **aumentare** notevolmente
 - i momenti in cui l'utensile è spento oppure è in funzione ma non viene effettivamente utilizzato per il lavoro, possono contribuire a **ridurre** il livello di esposizione
 - ! **protegersi dagli effetti della vibrazione effettuando la manutenzione dell'utensile e dei relativi accessori, mantenendo le mani calde e organizzando i metodi di lavoro**

H

Keverőgép

BEVEZETÉS

- Ezt az elektromos keverőgépet különböző anyagok könnyű és egyszerű keveréséhez tervezték

1608

- A különféle keverőlapatokkal különböző anyagok keverhetők (különféle cementkeverékek, ipari ragasztók, festékek, simító keverékek, simító- és szárazhabarcs stb.)
- A javasolt keverési mennyiség a keverendő anyag fajtajától és állagától függ, és a keverőlapatok típusától
- Ne keverjen egyszerre 40 liternél több anyagot
- A szerszám nem professzionális használatra készült
- Olvassa el figyelmesen és őrizze meg a használati utasítást ③

MŰSZAKI ADATOK ①

SZERSZÁMGÉP ELEMEI ②

- A Be/Ki kapcsoló és sebességszabályozó
- B Kapcsolórögzítógomb
- C Védőkeret
- D Keverőlapát
- E Tengely
- F Szellőzőnyílások
- G Kulcs (2)
- H Hatszögkulcs

BIZTONSÁG

ÁLTALÁNOS BIZTONSÁGI ELŐÍRÁSOK AZ ELEKTROMOS KÉZISZERSZÁMOKHOZ

FIGYELMEZTETÉS Olvassa el a szerszámgéphez tartozó biztonsági figyelmeztetéseket, utasításokat, ábrákat és specifikációkat. Az alábbi utasítások figyelmen kívül hagyása elektromos áramütéshez, tűzhöz és/vagy súlyos balesetnek vezethet.

Őrizze meg a jövőbeli használatra is valamennyi biztonsági előírást és utasítást.

Az alább alkalmazott "elektromos kéziszerszám" fogalom a hálózati elektromos kéziszerszámokat (hálózati csatlakozó kábellel) és az akkumulátoros elektromos kéziszerszámokat (hálózati csatlakozó kábel nélkül) foglalja magában.

1) MUNKAHELYI BIZTONSÁG

- a) **Tartsa tisztán és tartsa rendben a munkahelyét.**
Rendetlen munkahelyek vagy megvilágítatlan munkaterületek balesetekhez vezethetnek.
- b) **Ne dolgozzon az elektromos kéziszerszámmal olyan robbanásveszélyes környezetben, ahol éghető folyadékok, gázok vagy porok vannak.** Az elektromos kéziszerszámok szikrákat bocsáthatnak ki, amelyek meggyújthatják a port vagy a gőzöket.
- c) **Tartsa távol a gyerekeket és az idegen személyeket a munkahelytől, ha az elektromos kéziszerszámot használja.** Ha elvonják a figyelmét a munkától, könnyen elvesztheti az uralmát a berendezés felett.

2) ELEKTROMOS BIZTONSÁGI ELŐÍRÁSOK

- a) **A készülék csatlakozó dugójának bele kell illeszkednie a dugaszolóaljzatba. A csatlakozó dugót semmilyen módon sem szabad megváltoztatni. Védőföldeléssel ellátott készülékekkel kapcsolatban ne használjon csatlakozó adaptert.** A változtatás nélküli csatlakozó dugók és a megfelelő dugaszoló aljzatok csökkentik az áramütés kockázatát.

- b) **Ne érjen hozzá földelt felületekhez, mint csövekhez, fűtőtestekhez, kályhákhoz és hűtőszekrényekhez.** Az áramütési veszély megnövekszik, ha a teste le van földelve.
 - c) **Tartsa távol az elektromos kéziszerszámot az esőtől és a nedvesség hatásaitól.** Ha víz hatol be egy elektromos kéziszerszámba, ez megnöveli az áramütés veszélyét.
 - d) **Ne használja a kábelt a rendeltetésétől eltérő célokra, vagyis a szerszámot soha ne hordozza vagy akassza fel a kábelnél fogva, és soha ne húzza ki a hálózati csatlakozó dugót a kábelnél fogva. Tartsa távol a kábelt hőforrásoktól, olajtól, éles élektől, sarkaktól és mozgó gépkatrészekről.** Egy megrongálódott vagy csomókkal teli kábel megnöveli az áramütés veszélyét.
 - e) **Ha egy elektromos kéziszerszámmal a szabad ég alatt dolgozik, csak a szabadban való használatra engedélyezett hosszabbítót használjon.** A szabadban való használatra engedélyezett hosszabbító használata csökkenti az áramütés veszélyét.
 - f) **Ha nem lehet elkerülni az elektromos kéziszerszám nedves környezetben való használatát, alkalmazzon egy földzárlat megszakítót.** Egy földzárlat megszakító alkalmazása csökkenti az áramütés kockázatát.
- ### 3) SZEMÉLYI BIZTONSÁGI ELŐÍRÁSOK
- a) **Munka közben mindig figyeljen, ügyeljen arra, amit csinál, és meg gondoltan dolgozzon az elektromos kéziszerszámmal.** Ha fáradt, ha kábítószerek vagy alkohol hatása alatt áll, vagy orvosságokat vett be, ne használja a berendezést. A berendezéssel végzett munka közben már egy pillanatnyi figyelmenlenség is komoly sérülésekhez vezethet.
 - b) **Viseljen személyi védőfelszerelést és mindig viseljen védőszemüveget.** A személyi védőfelszerelések, mint porvédő álarc, csúszásbiztos védőcipő, védősapka és fülvédő használata az elektromos kéziszerszám használata jellegének megfelelően csökkenti a személyes sérülések kockázatát.
 - c) **Kerülje el a készülék akaratlan üzembe helyezését.** Győződjön meg arról, hogy az elektromos kéziszerszám ki van kapcsolva, mielőtt bedugná a csatlakozó dugót a dugaszolóaljzatba, csatlakoztatná az akkumulátor-csomagot, és mielőtt felvenné és vinni kezdené az elektromos kéziszerszámot. Ha az elektromos kéziszerszám felemelése közben az ujját a kapcsolón tartja, vagy ha a készüléket bekapcsolott állapotban csatlakoztatja az áramforráshoz, ez balesetekhez vezethet.
 - d) **Az elektromos kéziszerszám bekapcsolása előtt okvetlenül távolítsa el a beállító szerszámokat vagy csavarkulcsokat.** Az elektromos kéziszerszám forgó részeiben felejtett beállító szerszám vagy csavarkulcs sérüléseket okozhat.
 - e) **Ne becsülje túl önmagát.** Kerülje el a normálistól eltérő testtartást, ügyeljen arra, hogy mindig biztosan álljon és az egyensúlyát megtartsa. Így az elektromos kéziszerszám felett váratlan helyzetekben is jobban tud uralkodni.
 - f) **Viseljen megfelelő ruhát. Ne viseljen bő ruhát vagy ékszereket.** Tartsa távol a haját és a ruháját a mozgó

részekről. A bő ruhát, az ékszereket és a hosszú haját a mozgó alkatrészek magukkal ránthatják.

- g) **Ha az elektromos kéziszerszámra fel lehet szerelni a por elszívásához és összegyűjtéséhez szükséges berendezéseket, ellenőrizze, hogy azok megfelelő módon hozzá vannak kapcsolva a készülékhez és rendeltetésüknek megfelelően működnek.** A porgyűjtő berendezések használata csökkenti a munka során keletkező por veszélyes hatását.
- h) **Ne hagyja, hogy az elektromos kéziszerszám gyakori használata során szerzett tapasztalatok olyan önelégültté tegyék, hogy figyelmen kívül hagyja az idevonatkozó biztonsági alapelveket.** Egy gondatlan művelet egy másodperc törtrésze alatt súlyos sérüléseket okozhat.
- 4) **AZ ELEKTROMOS KÉZISZERSZÁMOK GONDOS KEZELÉSE ÉS HASZNÁLATA**
- a) **Ne terhelje túl az elektromos kéziszerszámot. A munkájához csak az arra szolgáló elektromos kéziszerszámmal a megadott teljesítménytartományon belül jobban és biztonságosabban lehet dolgozni.**
- b) **Ne használjon olyan elektromos kéziszerszámot, amelynek a kapcsolója elromlott.** Egy olyan elektromos kéziszerszám, amelyet nem lehet sem be-, sem kikapcsolni, veszélyes és meg kell javíttatni.
- c) **Húzza ki a csatlakozó dugót a dugaszolóaljzatból és/vagy távolítsa el az akkumulátor-csomagot (ha az leválasztható) az elektromos kéziszerszámtól, mielőtt az elektromos kéziszerszámot beállítási munkákat végez, tartozékokat cserél vagy a szerszámot tárolásra elteszi.** Ez az elővigyázatosságú intézkedés meggátolja a szerszám akaratlan üzembe helyezését.
- d) **A használaton kívüli elektromos kéziszerszámokat olyan helyen tárolja, ahol azokhoz gyerekek ne férhess nek hozzá. Ne hagyja, hogy olyan személyek használják az elektromos kéziszerszámot, akik nem ismerik a szerszámot, vagy nem olvasták el ezt az útmutatót.** Az elektromos kéziszerszámok veszélyesek, ha azokat gyakorlatlan személyek használják.
- e) **Az elektromos kéziszerszámot és tartozékait gondosan tartsa karban. Ellenőrizze, hogy a mozgó alkatrészek kifogástalanul működnek-e, nincsenek-e beszorulva, és nincsenek-e eltörve vagy megrongálódva olyan alkatrészek, amelyek hatással lehetnek az elektromos kéziszerszám működésére. A megrongálódott részeket a készülék használata előtt javíttassa meg.** Sok olyan baleset történik, amelyet az elektromos kéziszerszám nem kielégítő karbantartására lehet visszavezetni.
- f) **Tartsa tisztán és éles állapotban a vágószerszámokat.** Az éles vágóélekkel rendelkező és gondosan ápoltt vágószerszámok ritkábban ékelődnek be és azokat könnyebben lehet vezetni és irányítani.
- g) **Az elektromos kéziszerszámokat, tartozékokat, betétszerszámokat stb. csak ezen előírásoknak használja. Vegye figyelembe a munkafeltételeket és a kivitelezendő munka sajátosságait.** Az elektromos kéziszerszám eredeti rendeltetésétől eltérő célokra való alkalmazása veszélyes helyzetekhez vezethet.
- h) **Tartsa szárazon, tisztán és olaj- és zsírmentes állapotban a fogantyúkat és markoló felületeket.**

A csúszós fogantyúk és markoló felületek váratlan helyzetekben lehetetlenné teszik az elektromos kéziszerszám biztonságos kezelését és irányítását.

5) SZERVIZ

- a) **Az elektromos kéziszerszámot csak szakképzett személyzet és csak eredeti pótalkatrészek felhasználásával javíthatja.** Ez biztosítja, hogy az elektromos kéziszerszám biztonságos szerszám maradjon.

BIZTONSÁGI ELŐÍRÁSOK A KEVERŐGÉP HASZNÁLATÁHOZ

- a) **Fogja meg a szerszámot mindkét kezével a fogantyúknál.** A szerszám feletti uralom elvesztése személyi sérülést okozhat.
- b) **Gyűlékony anyagok keverésekor a veszélyes léggör elkerülése érdekében biztosítson megfelelő szellőzést.** A keletkező gőzt be lehet lélegezni vagy meggyűjthatja az elektromos szerszám által előidézett szikra.
- c) **Ne keverjen ételt.** Az elektromos szerszámokat és tartozékaikat nem élelmiszerek feldolgozására tervezték.
- d) **Tartsa távol a kábelt a munkaterülettől.** A zsinórt összegubancolhatja a keverőlapát.
- e) **Győződjön meg arról, hogy a keverőtartály stabil és biztonságos helyzetben van.** A nem megfelelően rögzített tartály váratlanul elmozdulhat.
- f) **Ügyeljen arra, hogy ne fröccsenjen folyadék az elektromos készülék házára.** Az elektromos szerszámba behatolt folyadék károsodást és áramütést okozhat.
- g) **Kövesse a keverendő anyag utasításait és figyelmeztetéseit.** A keverendő anyag káros lehet.
- h) **Ha az elektromos szerszám belesik a keverendő anyagba, azonnal húzza ki a szerszámot a konnektorból, és szakképzett javítószeméllyel ellenőriztesse az elektromos szerszámot.** Ha a még bedugott szerszámmal a vödörbe nyúl, az áramütéshez vezethet.
- i) **Keverés közben ne nyúljon a keverőtartályba, és ne tegyen bele más tárgyakat.** A keverőlapáttal való érintkezés súlyos személyi sérüléshez vezethet.
- j) **Csak a keverőtartályban indítsa el és járassa a szerszámot.** A keverőlapát irányíthatatlanul meghajolhat vagy elforoghat.

KIEGÉSZÍTŐ BIZTONSÁGI ELŐÍRÁSOK

- Mindig ellenőrizze, hogy a hálózati feszültség megegyezik-e a szerszám adattábláján feltüntetett értékkel
- Soha ne használja a szerszámot, ha a kábel sérült; ilyen esetben azt egy speciális kábelre kell lecserélni, amely a szervizelést végző ügyfélszolgálatnál érhető el.
- Soha ne használja a gépet robbanékony légtérben
- Soha ne keverjen gyúlékony anyagokat
- Viseljenes védőkesztyűt, es porvédő maszkot, testhez álló ruházatot és kemény cipőt
- Munka közben a zaj meghaladhatja a 85 dB(A); használjon fülvédőt
- SKIL cég kizárólag eredeti alkatrészek és kiegészítők alkalmazása esetén tudja garantálni a gép problémamentes működését
- **Ne használjon keverőlapát-hosszabbítókat**

- **Mindig húzza ki a dugaszolóaljzatot mielőtt tartozékot cserélné vagy bármit változtatna a gép beállításán**

A SZERSZÁMON TALÁLHATÓ SZIMBÓLUMOK MAGYARÁZATA

- ③ Használat előtt olvassa el a használati utasítást
- ④ Kettős szigetelés (földelővezeték nem szükséges)
- ⑤ Ne dobja az elektromos kéziszerszámokat és elemek a háztartási szemétkébe

KEZELÉS

- Be/Ki ⑥
 - ! **soha ne feledkezzen meg arról, hogy a fúró elakadása vagy beszorulása mekkora erőhatással jár; tartsa két kézzel, erősen a gépet, s válasszon stabil és biztonságos testhelyzetet**
- Egyenletes indítást biztosító sebességszabályozó ⑦
- Védőkeret ⑧
 - a gép védelme érdekében
 - a gép vezérléséhez
 - a gép egyszerű felépítése érdekében
 - a gép első alkalommal történő használata előtt szerelje fel a védőkeretet C
- ! **a gépet soha ne használja védőkeret nélkül**
- A gép üzemeltetése
 - ! **ügyeljen a készülék kikapcsolt állapotára**
 - szerelje a keverőlapátot D az orsóhoz E az illusztráció szerint ⑨
 - a dugaszoló aljzatot a konnektorba dugja be
 - ellenőrizze, hogy a keverőtartály biztosan áll-e az alaplapon
 - felhessze bele a keverőlapátot a keverendő anyagba, **még mielőtt bekapcsolná a gépet**, majd a gomb egyre erőteljesebb benyomásával növelje fokozatosan a keverési sebességet (olyan sebességre, hogy az anyag ne fröcskölődjön szét, illetve a gép ne hevüljön túl)
 - ! **a gépet csak úgy kapcsolja ki, hogy a keverőlapát a keverőtartályban van**
- A gép vezetése és tartása ⑩
 - ! **munka közben mindvégig tartsa gépet a szürke színű markolati terület(ek)en**
 - ! **a gépet mindig két kézzel fogja**

KARBANTARTÁS / SZERVIZ

- A szerszám nem professzionális használatra készült
- Mindig tartsa tisztán a gépet és a vezetéket (különös tekintettel a szellőzőnyílásokra)
 - keverőmunkája után mindig tisztítsa meg a keverőgépet és a funkcionális alkatrészeket
 - a készülék tisztítását száraz, puha törülközővel végezze (ne használjon tisztítószert vagy oldószert)
 - rendszeresen tisztítsa meg a szellőző nyílásokat F ② kefével vagy sűrített levegővel
- ! **tisztítás előtt húzza ki a csatlakozódugót**
- Ha a gép a gondos gyártási és ellenőrzési eljárás ellenére egyszer mégis meghibásodna, akkor a javítással csak SKIL elektromos kéziszerszám-műhely ügyfélszolgálatát szabad megbízni
 - küldje az **összeszerelt** gépet a vásárlást bizonyító számlával együtt a kereskedő vagy a legközelebbi

SKIL szervizállomás címére (a címlista és a gép szervizdiagramja a www.skil.com címen található)

- Vegye figyelembe, hogy a garancia nem fedli le a túlterhelés és a gép helytelen használata miatt okozott károkat (a SKIL garanciális feltételeit elolvashatja a www.skil.com oldalon, vagy kérdezze meg kereskedőjét)

KÖRNYEZET

- **Az elektromos kéziszerszámokat, elemek, tartozékokat és csomagolást ne dobja a háztartási szemétkébe** (csak EU-országok számára)
 - a használt villamos és elektronikai készülékekről szóló 2012/19/EK irányelv és annak a nemzeti jogba való átültetése szerint az elhasznált elektromos kéziszerszámokat külön kell gyűjteni, és környezetbarát módon újra kell hasznosítani
 - erre emlékeztet a ⑤ jelzés, amennyiben felmerül az intézkedésre való igény

ZAJ / REZGÉS

- Az EN 62841 alapján végzett mérések szerint ezen készülék hangnyomás szintje 83 dB(A) a hangteljesítmény szintje 94 dB(A) (normál eltérés: 3 dB), a rezgésszám 3,3 m/s² (a három irány vektorösszege; szórás K = 1,5 m/s²)
- A rezgés-kibocsátási szint mérése az EN 62841 szabványban meghatározott szabványosított teszttel összhangban történt; ez egy eszköznek egy másik eszközzel történő összehasonlítására, illetve a rezgésnek való kitétség előzetes felmérésére használható fel az eszköznek az említett alkalmazásokra történő felhasználása során
 - az eszköznek eltérő alkalmazásokra, vagy eltérő, illetve rosszul karbantartott tartozékokkal történő felhasználása jelentősen **emelheti** a kitétség szintjét
 - az idő, amikor az eszköz ki van kapcsolva, vagy amikor ugyan működik, de ténylegesen nem végez munkát, jelentősen **csökkentheti** a kitétség szintjét
- ! **az eszköz és tartozékai karbantartásával, kezének melegen tartásával, és munkavégzésének megszervezésével védje meg magát a rezgések hatásaitól**

①

Mixér

1608

ÚVOD

- Tento elektronický mixér je určen pro snadno a jednoduše míselné látky
- S různými míchacími listy lze míchat množství látek (různé druhy cementových směsí, stavebních lepidel, nátěrů, vyrovňovacích hmot, zavhlíe a povrchové malty, atd.)
- Doporučené míchané množství závisí na typu a stavu látky, která má být míchána, a na typu použité lopatky
- Nemíchejte naráz více než 40 litrů materiálu
- Tento nástroj není určen k profesionálnímu použití
- Tento návod s pokyny si pečlivě přečtěte a uschovejte ③

TECHNICKÁ DATA ①

SOUČÁSTI NÁSTROJE ②

- A Vypínač zapnout/vypnout a regulace rychlosti
- B Tlačítko k zajištění vypínače
- C Ochranný rám
- D Michací list
- E Vřeteno
- F Větrací šterbiny
- G Klíč (2)
- H Šestihranný klíč

BEZPEČNOST

OBECNÉ BEZPEČNOSTNÍ POKYNY PRO ELEKTRONÁRAĐÍ

VAROVÁNÍ Přečtete si veškerá bezpečnostní upozornění, pokyny, obrázky a technické údaje, které jsou s tímto elektrickým nástrojem dodávány. Nedodržení všech níže uvedených pokynů může vést k úrazu elektrickým proudem, požáru a/nebo vážnému zranění.

Všechny pokyny a výstrahy uchovejte pro budoucí potřebu.

Ve varovných upozorněních použitý pojem "elektronářadí" se vztahuje na elektronářadí provozované na el. síti (se síťovým kabelem) a na elektronářadí provozované na akumulátoru (bez síťového kabelu).

1) BEZPEČNOST PRACOVNÍHO MÍSTA

- a) **Udržujte Vaše pracovní místo čisté a uklizené.** Nepořádek nebo neosvětlené pracovní oblasti mohou vést k úrazům.
- b) **Se strojem nepracujte v prostředích ohrožených explozí, kde se nacházejí hořlavé kapaliny, plyny nebo prach.** Elektronářadí vytváří jiskry, které mohou prach nebo páry zapálit.
- c) **Děti a jiné osoby udržujte při použití elektronářadí daleko od Vašeho pracovního místa.** Při rozptýlení můžete ztratit kontrolu nad strojem.

2) ELEKTRICKÁ BEZPEČNOST

- a) **Připojovací zástrčka stroje musí lícovat se zásuvkou. Zástrčka nesmí být žádným způsobem upravena. Společně se stroji s ochranným uzemněním nepoužívejte žádné adaptérové zástrčky.** Neupravené zástrčky a vhodné zásuvky snižují riziko elektrického úderu.
- b) **Zabraňte kontaktu těla s uzemněnými povrchy, jako např. potrubí, topení, sporáky a chladničky.** Je-li Vaše tělo uzemněno, existuje zvýšené riziko elektrického úderu.
- c) **Chraňte stroj před deštěm a vlhkem.** Vniknutí vody do elektrického stroje zvyšuje nebezpečí elektrického úderu.
- d) **Dbejte na účel kabelu, nepoužívejte jej k nošení či zavěšení stroje nebo vytažení zástrčky ze zásuvky. Udržujte kabel daleko od tepla, oleje, ostrých hran nebo pohyblivých dílů stroje.** Poškozené nebo spletené kabely zvyšují riziko elektrického úderu.
- e) **Pokud pracujete s elektronářadím venku, použijte pouze takové prodlužovací kabely, které jsou schváleny i pro venkovní použití.** Použití prodlužovacího kabelu, jež je vhodný pro použití venku, snižuje riziko elektrického úderu.

- f) **Pokud se nelze vyhnout provozu elektronářadí ve vlhkém prostředí, použijte ochranný jistič.** Nasazení ochranného jističe snižuje riziko úderu elektrickým proudem.

3) BEZPEČNOST OSOB

- a) **Buďte pozorní, dávejte pozor na to, co děláte a přistupujte k práci s elektronářadím rozumně. Stroj nepoužívejte pokud jste unaveni nebo pod vlivem drog, alkoholu nebo léků.** Moment nepozornosti při použití elektronářadí může vést k vážným poraněním.
- b) **Noste osobní ochranné pomůcky a vždy ochranné brýle.** Nošení osobních ochranných pomůcek jako maska proti prachu, bezpečnostní obuv s protiskluzovou podrážkou, ochranná přilba nebo sluchátka, podle druhu nasazení elektronářadí, snižují riziko poranění.
- c) **Zabraňte neúmyslnému uvedení do provozu. Přesvědčte se, že je elektronářadí vypnuté dříve než jej uchopíte, poneseťe či připojíte na zdroj proudu a/ nebo akumulátor.** Máte-li při nošení elektronářadí prst na spínači nebo pokud stroj připojíte ke zdroji proudu zapnutý, pak to může vést k úrazům.
- d) **Než stroj zapnete, odstraňte seřizovací nástroje nebo šroubovák.** Nástroj nebo klíč, který se nachází v otáčivém dílu stroje, může vést k poranění.
- e) **Nepřeceňujte se. Zajistěte si bezpečný postoj a vždy udržujte rovnováhu.** Tím můžete stroj v neočekávaných situacích lépe kontrolovat.
- f) **Noste vhodný oděv. Nenoste žádný volný oděv nebo šperky. Vlasy a oděv udržujte daleko od pohyblivých se dílů.** Volný oděv, šperky nebo dlouhé vlasy mohou být zachyceny pohyblivými se díly.
- g) **Lze-li namontovat odsávací či zachycující přípravky, přesvědčte se, že jsou připojeny a správně použity.** Použití odsávání prachu může snížit ohrožení prachem.
- h) **Dbejte na to, abyste při častém používání náradí nebyli méně ostražití a nezapomínali na bezpečnostní zásady.** Nedbalé ovládání může způsobit těžké poranění za zlomek sekundy.

4) SVĚDOMITÉ ZACHÁZENÍ A POUŽÍVÁNÍ ELEKTRONÁRAĐÍ

- a) **Stroj nepřetěžujte. Pro svou práci použijte k tomu určený stroj.** S vhodným elektronářadím budete pracovat v dané oblasti výkonu lépe a bezpečněji.
- b) **Nepoužívejte žádné elektronářadí, jehož spínač je vadný.** Elektronářadí, které nelze zapnout či vypnout je nebezpečné a musí se opravit.
- c) **Než provedete seřízení stroje, výměnu dílů příslušenství nebo stroj odložíte, vytáhněte zástrčku ze zásuvky a/nebo odstraňte odpojitelný akumulátor.** Toto preventivní opatření zabrání neúmyslnému zapnutí stroje.
- d) **Uchovávejte nepoužívané elektronářadí mimo dosah dětí. Nenechte stroj používat osobám, které se strojem nejsou seznámeny nebo nečetly tyto pokyny.** Elektronářadí je nebezpečné, je-li používáno nezkušenými osobami.
- e) **Pečujte o elektronářadí a příslušenství svědomitě. Zkontrolujte, zda pohyblivé díly stroje bezvadně fungují a nevzpřichují se, zda díly nejsou zlomené nebo poškozené tak, že je omezena funkce stroje. Poškozené díly nechte před nasazením stroje opravit.** Mnoho úrazů má příčinu ve špatně udržovaném elektronářadí.

- f) **Řezné nástroje udržujte ostré a čisté.** Pečlivě ošetřované řezné nástroje s ostrými řeznými hranami se méně vzpříčují a dají se lehčeji vést.
- g) **Používejte elektronářadí, příslušenství, nasazovací nástroje apod. podle těchto pokynů. Respektujte přítom pracovní podmínky a prováděnou činnost.** Použití elektronářadí pro jiné než určující použití může vést k nebezpečným situacím.
- h) **Udržujte rukojeti a úchytné plochy suché, čisté a bez oleje a maziva.** Kluzké rukojeti a úchytné plochy neumožňují bezpečnou manipulaci a ovládání nářadí v neočekávaných situacích.
- 5) **SERVIS**
- a) **Nechte Váš stroj opravit pouze kvalifikovaným odborným personálem a pouze s originálními náhradními díly.** Tím bude zajištěno, že bezpečnost stroje zůstane zachována.

BEZPEČNOSTNÍ PŘEDPISY PRO MIXÉRY

- a) **Držte nářadí oběma rukama za speciální rukojeti.** Ztráta kontroly může způsobit zranění.
- b) **Při míchání hořlavých materiálů zajistěte dostatečné větrání, abyste zabránili vzniku nebezpečné atmosféry.** Vyuvíjející se páru mohou pracovníci vdechnout, nebo se může vznítit jiskrami, které elektrické nářadí vytváří.
- c) **Nemíchejte potraviny.** Elektrické nářadí a jeho příslušenství nejsou určeny ke zpracování potravin.
- d) **Kabel udržujte mimo pracovní prostor.** Jinak by se šňůra mohla zamotat do lopatek míchadla.
- e) **Zkontrolujte, zda je míchací nádoba umístěna na pevném a bezpečném místě.** Nádoba, která není správně zajištěna, se může neočekávaně pohnout.
- f) **Dávejte pozor, aby na kryt elektrického nářadí nestříkala žádná kapalina.** Kapalina, která by pronikla do elektrického nářadí, může způsobit poškození a vést k úrazu elektrickým proudem.
- g) **Postupujte podle pokynů a varování pro míchaný materiál.** Míchaný materiál může být škodlivý.
- h) **Pokud elektrické nářadí spadne do míchaného materiálu, okamžitě jej odpojte ze zásuvky a nechejte jej zkontrolovat vyškoleným technikem.** Nedávejte ruce do nádoby se stále připojeným nářadím, mohlo by dojít k úrazu elektrickým proudem.
- i) **Během míchání nesahejte do míchací nádoby rukama a nic do ní nevládejte.** Dotyk lopatky míchadla může vést k vážnému zranění.
- j) **Zapínejte a spouštějte nářadí pouze v míchací nádobě.** Lopatka míchadla se může nepředvídatelně ohýbat nebo točit.

DOPLŇKOVÁ BEZPEČNOSTNÍ UPOZORNĚNÍ

- Vždy zkontrolujte, zda je napájecí napětí stejné jako napětí uvedené na typovém štítku nástroje
- Nikdy nástroj nepoužívejte, je-li jeho přívodní šňůra poškozená, šňůra musí být vyměněna za speciálně navrženou šňůru, která je k dispozici přes servisní středisko.
- Nástroj nikdy nepoužívejte ve výbušné atmosféře ani v její blízkosti
- Nikdy nemíchejte výbušné látky
- Noste ochranné rukavice, protiprašný respirátor, oděv který se nástrojem nemůže zachytit, a pevnou obuv

- Hladina hluku může při práci přesáhnout 85 dB(A); **vhodným prostředkem si chraňte udi**
- SKIL zajistí bezvadnou funkci nářadí pouze tehdy, používáte-li původní značkové
- **Nepoužívejte nástavce lopatek míchadla**
- **Před seřizováním, měněním pilových listů a příslušenství, vždy vytáhněte zástrčku nářadí z el. sítě**

VYSVĚTLENÍ SYMBOLŮ NA NÁŘADÍ

- ③ Před použitím si přečtěte návod k použití
- ④ Dvojitá izolace (není nutný zemnicí drát)
- ⑤ Nevyhazujte elektrické nářadí a baterie do komunálního odpadu

OBSLUHA


- Zapnuto/vypnuto ⑥
- **! nezapomeňte, že při zadření vznikají určité síly; nástroj držte oběma rukama a pevně se postavte**
- Regulátor rychlosti k hladkému startu ⑦
- Ochranný rám ⑧
 - pro ochranu nástroje
 - pro vedení nástroje
 - pro snadné odložení nástroje
 - před prvním použitím nástroje instalujte ochranný rám C
- **! nástroj nikdy nepoužívejte bez ochranného rámu**
- Použití nástroje
 - **! zkontrolujte, zda je přístroj vypnutý**
 - uchyťte míchací list D na hřídel E jak to ukazuje obrázek ⑨
 - zapněte zástrčku do sítě el. energie
 - ujistěte se, že je mísicí nádoba pevně umístěna na podlaze
 - ponořte mísicí list do míchané látky **před zapnutím nástroje** a potom postupně zvyšujte rychlost míchání vyvíjením větší síly na kohoutek (tak, aby se látka nerozstříkla do okolí a nedošlo k přetížení nástroje)
 - **! nástroj vypínejte pouze tehdy, když je mísicí list umístěn v mísicí nádobě**
- Držení a vedení nástroje ⑩
 - **! při práci vždy držte nástroj v šedě zabarvené oblasti rukojeti**
 - **! držte nářadí vždy pevně oběma rukama**

ÚDRŽBA / SERVIS

- Tento nástroj není určen k profesionálnímu použití
- Nástroj a přívodní šňůru udržujte čisté (zejména větrací štěrbinu)
 - po míchání vždy vyčistěte mixér a funkční díly
 - očistěte přístroj suchým, měkkým hadříkem (nepoužívejte čisticí prostředky ani rozpouštědla)
 - pravidelně čistěte ventilační F ② otvory kartáčkem nebo stlačeným vzduchem
- **! před čištěním odpojte zástrčku**
- Pokud dojde i přes pečlivou výrobu a náročnou kontrolu k poruše nástroje, svěťte provedení opravy autorizovanému servisnímu středisku pro elektronářadí firmy SKIL
 - zašlete nástroj **nerozebraný** spolu s potvrzením o nákupu své prodeje nebo nejbližšímu servisu značky SKIL (adresy a servisní schéma nástroje najdete na www.skil.com)
- Uvědomte si, že na poškození nástroje způsobené přetížením nebo nesprávným zacházením se nevztahuje

záruka (záruční podmínky společnosti SKIL najdete na adrese www.skil.com nebo se obraťte na prodejce)

ŽIVOTNÍ PROSTŘEDÍ

- **Elektrické nářadí, baterie, doplňky a balení nevyhazujte do komunálního odpadu** (jen pro státy EU)
 - podle evropské směrnice 2012/19/EG o nakládání s použitými elektrickými a elektronickými zařízeními a odpovídajících ustanovení právních předpisů jednotlivých zemí se použitá elektrická nářadí, musí sbírat odděleně od ostatního odpadu a podrobit ekologicky šetrnému recyklování
 - symbol  na to upozorňuje

HLUČNOSTI / VIBRACÍ


- Měřeno podle EN 62841 činí tlak hlukové vlny tohoto přístroje 83 dB(A) a dávka hlučnosti 94 dB(A) (standardní odchylka: 3 dB), a vibrací 3,3 m/s² (vektorový součet tří os; nepřesnost K = 1,5 m/s²)
 - Úroveň vibrací byla měřena v souladu se standardizovaným testem podle EN 62841; je možné ji použít ke srovnání jednoho přístroje s druhým a jako předběžné posouzení vystavování se vibracím při používání přístroje k uvedeným aplikacím
 - používání přístroje k jiným aplikacím nebo s jiným či špatně udržovaným příslušenstvím může zásadně **zvýšit** úroveň vystavení se vibracím
 - doba, kdy je přístroj vypnutý nebo kdy běží, ale ve skutečnosti není využíván, může zásadně **snížit** úroveň vystavení se vibracím
- ! chráňte se před následky vibrací tak, že budete dbát na údržbu přístroje a příslušenství, budete si udržovat teplé ruce a uspořádáte si své pracovní postupy**

TR

Mikser

1608

GİRİŞ

- Bu elektronik mikser kolay karıştırılabilen maddeler için tasarlanmıştır
- Değişik karıştırma kanatlarıyla çeşitli maddeler (farklı türde çimento karışımları, inşaat yapıstırcıları, boyalar, tesviye bileşikleri, kaplama ve kuru harç, vb.) karıştırılabilir
- Önerilen karıştırma kapasitesi karıştırılacak maddenin türü ile durumuna ve kullanılan kürek türüne bağlıdır
- Bir defada 40 litreden fazla madde karıştırmayın
- Bu alet profesyonel kullanıma yönelik değildir
- Bu kullanma kılavuzunu okuyun ve saklayın 

TEKNİK VERİLER


ALET BİLEŞENLERİ

- A Açma/kapama ve hız kontrol anahtarı
- B Anahtar kilitleme düğmesi
- C Koruma kafesi
- D Karıştırma kanadı
- E Mil

- F Havalandırma yuvaları
- G Anahtar (2)
- H Altgen anahtar

GÜVENLİK

GENEL ELEKTRİK EL ALETİ GÜVENLİK UYARILARI

 **UYARI** Bu elektrikli alet ile birlikte verilen tüm uyarıları, talimatları, resimleri ve özellikleri okuyun. Aşağıda listelenen talimatların tamamına uyulmaması durumunda elektrik çarpması, yangın ve/veya ciddi yaralanmalar meydana gelebilir.

Tüm uyarı ve talimatları ileride kullanmak üzere saklayın.

Uyarı ve talimat hükümlerinde kullanılan “elektrikli el aleti” kavramı, akım şebekesine bağlı (şebeke bağlantı kablosu ile) aletlerle akü ile çalışan aletleri (akşam şebekesine bağlantısı olmayan aletler) kapsamaktadır.

1) ÇALIŞMA YERİ GÜVENLİĞİ

- a) **Çalıştığınız yeri temiz ve düzenli tutun.** Düzensizlik veya yetersiz aydınlatma kazalara neden olabilir.
- b) **Yanıcı sıvıların, gazların veya tozların bulunduğunu patlama tehlikesi olan yer ve mekânlarda aletle çalışmayın.** Elektrikli el aletleri, toz veya buharların tutuşmasına veya yanmasına neden olan kıvılcıklar çıkarırlar.
- c) **Elektrikli el aletiyle çalışırken çocukları ve başkalarını çalışma alanınızın uzağında tutun.** Yakınızdaki bulunan kişiler dikkatinizi dağıtabilir ve bu da alet üzerindeki kontrolünüzü kaybetmenize neden olabilir.

2) ELEKTRİKSEL GÜVENLİK

- a) **Aletin bağlantı fişi prize uymalıdır. Fişi hiçbir şekilde değiştirmeyin. Koruyucu topraklamalı aletlerle adaptörlü fiş kullanmayın.** Değiştirilmemiş, orijinal fiş ve uygun prizler elektrik çarpması tehlikesini azaltır.
 - b) **Borular, kalorifer tesisatı, ısıtıcılar ve buzdolapları gibi topraklanmış yüzeylerle bedensel temasa geçmekten kaçının.** Eğer bedeniniz topraklanacak olursa yüksek bir elektrik çarpması tehlikesi ortaya çıkar.
 - c) **Aleti yağmur ve nemden koruyun.** Elektrikli el aletinin içine suyun sızması elektrik çarpması tehlikesini yükseltir.
 - d) **Kabloyu kendi amacı dışında kullanmayın; örneğin aleti kablodan tutarak taşımayın, aleti kablo ile asmayın veya kablodan çekerek fişi prizden çıkarmayın. Kabloyu aşırı sıckattan, yağlardan, keskin kenarlı cisimlerden veya aletin hareketli parçalarından uzak tutun.** Hasarlı veya dolaşmış kablo elektrik çarpması tehlikesini yükseltir.
 - e) **Elektrikli el aletiyle açık havada çalışırken mutlaka açık havada kullanılmaya uygun uzatma kablosu kullanın.** Açık havada kullanılmaya uygun uzatma kablosunun kullanılması elektrik çarpması tehlikesini azaltır.
 - f) **Elektrikli el aletinin nemli ortamlarda çalıştırılması şartsa, mutlaka kaçak akım cihazı (RCD) kullanın.** RCD kullanımı elektrik çarpması tehlikesini azaltır.
- ### 3) KİŞİLERİN GÜVENLİĞİ
- a) **Dikkatli olun, ne yaptığınızı dikkat edin ve elektrikli el aletiyle çalışırken makul hareket edin. Yorgunsanız, ilaç kullanıyorsanız veya uyuşturucu madde ya da alkol etkisi altındaysanız aleti**

kullanmayın. Aleti kullanırken bir anlık dikkatsizliğiniz ciddi yaralanmalara yol açabilir.

- b) **Daima kişisel korunma donanımları ve bir koruyucu gözlük kullanın.** Elektrikli el aletin türü ve kullanımına uygun olarak kullanacağınız toz maskesi, kaymayan sağlam iş ayakkabıları, koruyucu kask veya koruyucu kulaklık gibi kişisel korunma donanımlarını kullanmanız yaralanma tehlikesini büyük ölçüde azaltır.
- c) **Aleti yanlışlıkla çalıştırmaktan kaçının. Akım ikmal şebekesine ve/veya aküye bağlamadan, elinize alıp taşımadan önce elektrikli el aletin kapalı durumda olduğundan emin olun.** Elektrikli el aletini parmağınız şalter üzerinde dururken taşırırsanız ve alet açıkken fişi prize sokarsanız kazalara neden olabilirsiniz.
- d) **Aleti çalıştırmadan önce ayar aletlerini veya tornavidaları aletten uzaklaştırın.** Dönen alet parçasına temas halinde bulunan bir uç veya anahtar yaralanmalara neden olabilir.
- e) **Kendinize çok fazla güvenmeyin. Duruşunuzun güvenli olmasına dikkat edin ve daima dengenizi koruyun.** Bu sayede aleti beklenmedik durumlarda daha iyi kontrol edersiniz.
- f) **Uygun iş elbiseleri giyin. Geniş giysiler giymeyin ve takı takmayın. Saçlarınızı ve giysilerinizi aletin hareketli parçalarından uzak tutun.** Bol giysiler, takılar veya uzun saçlar aletin hareketli parçaları tarafından tutulabilir.
- g) **Aletinize toz emme donanımı ve toz tutma donanımı takılabiliyorsa, bunların bağlı olup olmadığını ve doğru işlev görüp görmediklerini kontrol edin.** Toz emme donanımının kullanımı tozdan kaynaklanabilecek tehlikeleri azaltır.
- h) **Aletleri sık kullanmanız sebebiyle kazandığınız alışkanlıklar, güvenlik prensiplerine uymazı önememlidir.** Dikkatsiz bir hareket, bir anda ciddi yaralanmalara yol açabilir.
- 4) **ELEKTRİKLİ EL ALETLERİYLE DİKKATLİ ÇALIŞMAK VE ALETİ DOĞRU KULLANMAK**
- a) **Aleti aşırı ölçüde zorlamayın. İşinize uygun elektrikli el aletini kullanın.** Uygun elektrikli el aleti ile belirtilen performans alanında daha iyi ve daha güvenli çalışırsınız.
- b) **Açma/kapama şalteri arızalı olan elektrikli el aletini kullanmayın.** Açılıp kapanamayan bir elektrikli el aleti tehlikelidir ve onarılması gerekir.
- c) **Alette bir ayarlama işlemine başlamadan, herhangi bir aksesuarı değiştirirken veya aleti elinizden bırakırken fişi prizden çekin veya aküyü çıkarın.** Bu önlem, elektrikli el aletin yanlışlıkla çalışmasını önler.
- d) **Kullanım dışında iken elektrikli el aletinizi çocukların ulaşamayacağı bir yerde saklayın. Aleti kullanmayı bilmeyen veya bu güvenli talimatını okumayan kişilerin aleti kullanmasına izin vermeyin.** Deneyimsiz kişiler tarafından kullanıldıkları takdirde elektrikli el aletleri tehlikeli olabilirler.
- e) **Elektrikli el aletin ve aksesuarların bakımını düzenli yapın. Aletin hareketli parçalarının kusursuz işlev görüp görmediklerini ve sıkışmadıklarını, parçaların kırık veya hasarlı olup olmadığını kontrol edin, aksi takdirde alet işlevini tam olarak yerine getiremez. Aleti kullanmadan önce hasarlı parçaları onartın.** Birçok iş kazası aletlerin kötü ve yetersiz bakımından kaynaklanır.

- f) **Kesici uçları keskin ve temiz tutun.** İyi bakım görmüş kesici uçlar daha ender sıkışırlar ve daha iyi yönlendirilirler.
- g) **Elektrikli el aletlerini, aksesuarı, uçları ve benzerlerini bu güvenlik talimatına uygun olarak kullanın. Aleti kullanırken çalışma koşullarını ve yaptığınız işi daima dikkate alın.** Elektrikli el aletlerini kendileri için öngörülen işlerin dışında kullanmak tehlikeli durumların ortaya çıkmasına neden olabilir.
- h) **Tutamak ve kavrama yüzeylerini kuru, yağsız ve temiz tutun.** Kaygan tutamak ve kavrama yüzeyleri, aletin beklenmeyen durumlarda güvenli şekilde tutulmasını ve kontrol edilmesini engeller.
- 5) **SERVIS**
- a) **Aleti sadece uzman bir elemana ve orijinal yedek parçalar kullanılarak onartın.** Böylelikle aletin güvenliğini korumuş olursunuz.

MİKSERLER İÇİN GÜVENLİK TALİMATI

- a) **Aleti iki elinizle belirlenen tutamaklardan tutun.** Kontrol kaybı yaralanmaya neden olabilir.
- b) **Tehlikeli bir ortam oluşturmaktan kaçınmak için yanıcı malzemeleri karıştırırken yeterli miktarda havalandırma sağlayın.** Oluşan buhar, elektrikli aletin ürettiği kıvılcımlarla birleşebilir veya tutuşabilir.
- c) **Yiyecekleri karıştırmayın.** Elektrikli aletler ve aksesuarları, gıda işlemek için tasarlanmamıştır.
- d) **Kabloyu çalışma alanından uzak tutun.** Kablo, mikser kanadına dolanabilir.
- e) **Karıştırma kabının sağlam ve güvenli bir konuma yerleştirildiğinden emin olun.** Düzgün sabitlenmemiş bir kap beklenmedik bir şekilde hareket edebilir.
- f) **Elektrikli aletin gövdesine sıvı sıçramasına dikkat edin.** Elektrikli alete sıvı girmesi hasara ve elektrik çarpmasına neden olabilir.
- g) **Karıştırılacak malzemeye yönelik talimatlara ve uyarılara uyun.** Karıştırılacak malzeme zararlı olabilir.
- h) **Elektrikli alet karıştırılacak malzemenin içine düşerse, derhal aletin fişini çekin ve elektrikli aleti kalifiye bir onarım uzmanına kontrol ettirin.** Alet takılı haldeyken kovaya uzanmak elektrik çarpmasına neden olabilir.
- i) **Karıştırma sırasında karıştırma kabına ellerinizi veya başka herhangi bir nesne sokmayın.** Mikser kanadına temas etmek ciddi yaralanmalara neden olabilir.
- j) **Aleti yalnızca karıştırma kabı içinde başlatın ve çalıştırın.** Mikser kanadı, kontrolsüz bir şekilde bükülebilir veya dönebilir.

EK GÜVENLİK TALİMATI

- Güç geriliminin, aletin özellik plakasında belirtilen voltaj değeriyle aynı olduğunu sık sık kontrol edin
- Aleti asla kablo hasarlıyken kullanmayın; kablunun yetkili servis tarafından özel olarak hazırlanmış bir kablo ile değiştirilmesi gerekir.
- Aleti patlayıcı veya patlayıcıya yakın bir ortamda kullanmayın
- Asla yanıcı maddeleri karıştırmayın
- Koruyucu eldiven, toz maskesi, dar giysiler ve sağlam ayakkabılar giyin
- Cihaz çalışırken gürültü seviyesi 85 dB(A) desibele kadar çıkabilir; **kulak koruyucu kullanın**
- SKIL sadece orijinal aksesuarlar kullanıldığında aletin düzgün çalışmasını garanti eder

- Mikser kanadı uzantıları kullanmayın
- İstedığınız ayar değişikliklerini ve aksesuar değişikliklerini yapmadan önce mutlaka şebeke fişini prizden çekin

ALET ÜZERİNDEKİ SİMGELERİN AÇIKLAMASI

- ③ Kullanmadan önce kılavuzu okuyun
- ④ Çift yalıtım (topraklama kablosu gerekli değildir)
- ⑤ Elektrikli aletlerini ve pilleri evdeki çöp kutusuna atmayın

KULLANIM

- Açma/kapama ⑥
- ! sıkışma yüzünden meydana gelebilecek güçlerin farkında olun; aleti daima iki elinizle sıkıca tutun ve güvenli bir duruş alın
- Düzgün başlama için hız kontrolü ⑦
- Koruma kafesi ⑧
 - aracı korumak için
 - aracı yönlendirmek için
 - aracı basit bir şekilde kenara koymak için
 - aracı ilk defa kullanmadan önce koruma kafesini C monte edin
- ! aracı koruma kafesi olmadan kesinlikle kullanmayın
- Aletin çalıştırılması
 - ! aletin kapatılmış olduğundan emin olun
 - karıştırma kanadını D mile E gösterilen şekilde takın ⑨
 - şebeke fişini prize takın
 - karıştırma kabının zemine sağlam bir şekilde yerleştirilmiş olduğundan emin olun
 - aracı çalıştırmadan önce karıştırma kanadını karışan maddenin içine sokun ve sonra tetiğe daha fazla basınç uygulayarak karıştırma hızını yavaş yavaş artırın (böylece karışımındaki maddeler etrafa sıçramaz ve araca aşırı yüklemeye yapmaz)
 - ! aracı sadece karıştırma kanadı karıştırma kabının içindeyken kapatın
- Aletin tutulması ve kullanılması ⑩
 - ! çalışma esnasında, aleti daima gri renkli bölge(ler) den tutun
 - ! aleti daima iki elinizle sıkıca tutun

BAKIM / SERVİS

- Bu alet profesyonel kullanıma yönelik değildir
- Aleti ve kablosunu daima temiz tutun (özellikle havalandırma yuvalarını)
 - karıştırma işinden sonra mikseri ve fonksiyonel parçaları mutlaka temizleyin
 - aleti kuru ve yumuşak bir bezle temizleyin (temizlik araçları veya malzemesi kullanmayın)
 - havalandırma deliklerini F ② fırça veya basınçlı hava yardımıyla düzenli olarak temizleyin
- ! temizlemeden önce, cihazın fişini prizden çekin
- Dikkatli biçimde yürütülen üretim ve test yöntemlerine rağmen alet arıza yapacak olursa, onarım SKIL elektrikli aletleri için yetkili bir serviste yapılmalıdır
 - aleti ambalajıyla birlikte satın alma belgenizi de ekleyerek satıcınıza veya en yakın SKIL servisine ulaştırın (adresler ve aletin servis şemaları www.skil.com adresinde listelenmiştir)
- Aşırı yüklenme ve yanlış kullanımın aleti garanti kapsamından çıkaracağını unutmayın (SKIL garanti koşulları için www.skil.com adresine bakın veya satıcınıza başvurun)

ÇEVRE

- Elektrikli aletlerini, piller, aksesuarları ve ambalajları evdeki çöp kutusuna atmayın (sadece AB ülkeleri için)
 - kullanılmış elektrikli aletleri, elektrik ve elektronik eski cihazlar hakkındaki 2012/19/EC Avrupa yönergelerine göre ve bu yönergeler ulusal hukuk kurallarına göre uyarlanarak, ayrı olarak toplanmalı ve çevre şartlarına uygun bir şekilde tekrar değerlendirmeye gönderilmelidir
 - sembol ⑤ size bunu anımsatmalıdır

GÜRÜLTÜ / TİTREŞİM

- Ölçülen EN 62841 göre ses basıncı bu makinanın seviyesi 83 dB(A) ve çalışma sırasındaki gürültü 94 dB(A) (standart sapma: 3 dB), ve titreşim 3,3 m/s² (üç yönün vektör toplamı; tolerans K = 1,5 m/s²)
- Titreşim emisyon seviyesi EN 62841'de sunulan standart teste göre ölçülmüştür; bu seviye, bir aleti bir başkasıyla karşılaştırmak amacıyla ve aletin söz konusu uygulamalarda kullanılması sırasında titreşime maruz kalma derecesinin ön değerlendirmesi olarak kullanılabilir
 - aletin farklı uygulamalar için veya farklı ya da bakımı yetersiz yapılmış aksesuarlarla kullanılması, maruz kalma seviyesini belirgin biçimde artırabilir
 - aletin kapalı olduğu veya çalıştığı ancak gerçek anlamda iş yapmadığı zamanlarda, maruz kalma seviyesi belirgin biçimde azalabilir
- ! aletin ve aksesuarlarının bakımını yaparak, ellerinizi sıcak tutarak ve iş modellerinizi düzenleyerek karıştırma hızını titreşimden etkilerinden koruyun

PL

Mieszarka

1608

WSTĘP

- Ta elektroniczna mieszarka jest przeznaczona do łatwego i prostego mieszania substancji
- Za pomocą różnych łopatek można mieszać wiele różnych nie mieszcąc więcej niż 40 litrów substancji na raz
- Narzędzie nie jest przeznaczone do zastosowań profesjonalnych
- Przeczytać i zachować niniejszą instrukcję obsługi ③

DANE TECHNICZNE ①

ELEMENTY NARZĘDZIA ②

- A Przycisk włącznik/wyłącznik i regulator prędkości
- B Przycisk blokady włącznika
- C Rama ochronna
- D Łopaska mieszająca
- E Wrzeciono
- F Szczeliny wentylacyjne
- G Klucz (2)
- H Klucz sześciokątny

BEZPIECZEŃSTWO

OGÓLNE OSTRZEŻENIA DOTYCZĄCE BEZPIECZEŃSTWA UŻYTKOWANIA ELEKTRONARZĘDZIA

⚠ OSTRZEŻENIE Należy przeczytać wszystkie ostrzeżenia dotyczące bezpieczeństwa, instrukcje, ilustracje i dane techniczne dostarczone z tym elektronarzędziem. Nieprzestrzeganie wszystkich poniższych instrukcji może skutkować porażeniem prądem, pożarem i/lub poważnym obrażeniem ciała.

Wszystkie ostrzeżenia i wskazówki należy zachować do dalszego zastosowania.

Użyte w poniższym tekście pojęcie "elektonarzędzie" odnosi się do elektronarzędzi zasilanych energią elektryczną z sieci (z przewodem zasilającym) i do elektronarzędzi zasilanych akumulatorami (bez przewodu zasilającego).

1) BEZPIECZEŃSTWO MIEJSCA PRACY

- a) **Miejsce pracy należy utrzymywać w czystości i dobrze oświetlone.** Nieporządek lub nie oświetlone miejsce pracy mogą doprowadzić do wypadków.
- b) **Nie należy pracować tym narzędziem w otoczeniu zagrożonym wybuchem, w którym znajdują się np. łatwopalne ciecze, gazy lub pyły.** Elektronarzędzia wytwarzają iskry, które mogą podpalić ten pył lub pary.
- c) **Elektonarzędzie trzymać podczas pracy z daleka od dzieci i innych osób.** Przy nieuwadze można stracić kontrolę nad narzędziem.

2) BEZPIECZEŃSTWO ELEKTRYCZNE

- a) **Wtyczka urządzenia musi pasować do gniazda. Nie wolno modyfikować wtyczki w jakikolwiek sposób. Nie należy używać wtyczek adapterowych razem z uziemnionymi narzędziami.** Nieziemnione wtyczki i pasujące gniazda zmniejszają ryzyko porażenia prądem.
 - b) **Należy unikać kontaktu z uziemnionymi powierzchniami jak rury, grzejniki, piece i lodówki.** Istnieje zwiększone ryzyko porażenia prądem, gdy Państwa ciało jest uziemnione.
 - c) **Urządzenie należy przechowywać zabezpieczone przed deszczem i wilgocią.** Wniknięcie wody do elektronarzędzia podwyższa ryzyko porażenia prądem.
 - d) **Nigdy nie należy używać kabla do innych czynności. Nigdy nie używać kabla do noszenia urządzenia za kabel, zawieszania lub do wyciągania wtyczki z gniazda. Kabel należy trzymać z daleka od wysokich temperatur, oleju, ostrych krawędzi lub ruchomych części urządzenia.** Uszkodzone lub poplątane kable zwiększają ryzyko porażenia prądem.
 - e) **W przypadku, kiedy elektronarzędziem pracuje się na świeżym powietrzu należy używać kabla przedłużającego, który dopuszczony jest do używania na zewnątrz.** Użycie dopuszczonego do używania na zewnątrz kabla przedłużającego zmniejsza ryzyko porażenia prądem.
 - f) **Jeżeli nie da się uniknąć zastosowania elektronarzędzia w wilgotnym otoczeniu, należy użyć wyłącznika ochronnego różnicowo-prądowego.** Zastosowanie wyłącznika ochronnego różnicowo-prądowego zmniejsza ryzyko porażenia prądem.
- ### 3) BEZPIECZEŃSTWO OSÓB
- a) **Należy być uważnym, uważać na to co się robi i**

pracę elektronarzędziem rozpoczynać z rozsądkiem. Nie należy używać urządzenia gdy jest się zmęczonym lub pod wpływem narkotyków, alkoholu lub lekarstw. Moment nieuwagi przy użyciu urządzenia może doprowadzić do poważnych urażeń ciała.

- b) **Należy nosić osobiste wyposażenie ochronne i zawsze okulary ochronne.** Noszenie osobistego wyposażenia ochronnego jak maska przeciwpyłowa, nie ślizgające się buty robocze, hełm ochronny lub ochrona słuchu, w zależności od rodzaju i zastosowania elektronarzędzia zmniejsza ryzyko obrażeń ciała.
 - c) **Należy unikać niezamierzonego uruchomienia narzędzia. Przed włożeniem wtyczki do gniazda i/ lub podłączeniem do akumulatora, a także przed podniesieniem lub przeniesieniem elektronarzędzia, należy upewnić się, że elektronarzędzie jest wyłączone.** Trzymanie palca na wyłączniku podczas przenoszenia elektronarzędzia lub podłączenie do prądu włączającego narzędzia, może stać się przyczyną wypadków.
 - d) **Zanim urządzenie zostanie włączone należy usunąć narzędzia nastawcze lub klucze.** Narzędzie lub klucz, które znajdują się w ruchomych częściach urządzenia mogą doprowadzić do obrażeń ciała.
 - e) **Nie należy przeceniać swoich możliwości. Należy dbać o bezpieczną pozycję pracy i zawsze utrzymywać równowagę.** Przez to możliwa jest lepsza kontrola urządzenia w nieprzewidywanych sytuacjach.
 - f) **Należy nosić odpowiednie ubranie. Nie należy nosić luźnego ubrania lub biżuterii. Włosy i ubranie należy trzymać z daleka od ruchomych elementów.** Luźne ubranie, biżuteria lub długie włosy mogą zostać pociągnięte przez poruszające się części.
 - g) **W przypadku, kiedy możliwe jest zamontowanie urządzeń odsysających lub podchwytyjących należy upewnić się, czy są one właściwie podłączone i prawidłowo użyte.** Użycie urządzenia odsysającego pył może zmniejszyć zagrożenie pyłami.
 - h) **Nie wolno pozwolić, aby rutyna nabyta w wyniku wielokrotnego użycia elektronarzędzia, zastąpiła ściśle przestrzeganie zasad bezpieczeństwa.** Niedbale obsługiwane elektronarzędzie może w ułamku sekundy wyrządzić istotne szkody lub spowodować ciężkie obrażenia.
- ### 4) UWAŻNE OBCOWANIE ORAZ UŻYCIE ELEKTRONARZĘDZIA
- a) **Nie należy przeciążać urządzenia. Do pracy używać należy elektronarzędzia, które jest do tego przewidziane.** Odpowiednim narzędziem pracuje się lepiej i bezpieczniej w podanym zakresie sprawności.
 - b) **Nie należy używać elektronarzędzia, którego wyłącznik/wyłącznik jest uszkodzony.** Elektronarzędzie, którego nie można włączyć lub wyłączyć jest niebezpieczne i musi zostać naprawione.
 - c) **Przed rozpoczęciem jakichkolwiek prac nastawczych, przed wymianą osprzętu lub przed odłożeniem elektronarzędzia należy wyjąć wtyczkę z gniazda sieciowego i/lub usunąć akumulator.** Ten środek ostrożności zapobiega niezamierzonemu włączeniu się urządzenia.
 - d) **Nie używane elektronarzędzia należy przechowywać poza zasięgiem dzieci. Nie należy udostępniać**

narzędzia osobom, które jego nie umieją lub nie przeczytały tych przepisów. Używane przez niedoświadczone osoby elektronarzędzia są niebezpieczne.

- e) **Elektronarzędzia i osprzęt należy utrzymywać w nienagannym stanie technicznym. Należy kontrolować, czy ruchome części urządzenia funkcjonują bez zarzutu i nie są zablokowane, czy części nie są pęknięte lub uszkodzone, co mogłoby mieć wpływ na prawidłowe funkcjonowanie urządzenia. Uszkodzone narzędzie należy przed użyciem urządzenia oddać do naprawy.** Wiele wypadków spowodowanych jest przez niewłaściwą konserwację elektronarzędzi.
- f) **Osprzęt tnący należy utrzymywać ostry i czysty.** Starannie pielęgnowany osprzęt tnący z ostrymi krawędziami tnącymi blokuje się rzadziej i łatwiej się używa.
- g) **Elektronarzędzia, osprzęt, narzędzia itd. należy używać odpowiednio do tych przepisów. Uwzględnić należy przy tym warunki pracy i czynność do wykonania.** Użycie elektronarzędzi do innych niż przewidziane prace może doprowadzić do niebezpiecznych sytuacji.
- h) **Uchwyty i powierzchnie chwytowe powinny być zawsze suche, czyste, niezabrudzone olejem ani smarem.** Śliskie uchwyty i powierzchnie chwytowe nie pozwalają na bezpieczne trzymanie narzędzia i kontrolę nad nim w nieoczekiwanych sytuacjach.
- 5) **SERWIS**
- a) **Naprawę urządzenia należy zlecić jedynie kwalifikowanemu fachowcowi i przy użyciu oryginalnych części zamiennych.** To gwarantuje, że bezpieczeństwo użytkownika zostanie zachowane.

PRZEPISY BEZPIECZEŃSTWA DLA MIESZAREK

- a) **Trzymać narzędzie obiema rękami za przeznaczone to tego uchwyty.** Utrata kontroli może spowodować uszkodzenia ciała.
- b) **Zapewnić wystarczającą wentylację podczas mieszania palnych materiałów, aby uniknąć powstania niebezpiecznej atmosfery.** Powstałe opary mogą być wdychane lub zapalić się przez iskry wytwarzane przez elektronarzędzia.
- c) **Nie mieszać żywności.** Elektronarzędzia i ich akcesoria nie są przeznaczone do przetwarzania żywności.
- d) **Trzymać przewód z dala od obszaru roboczego.** Przewód może zaplątać się w łopatkę mieszarki.
- e) **Sprawdzić, czy pojemnik mieszający jest ustawiony w bezpiecznej pozycji.** Pojemnik, który nie jest prawidłowo zabezpieczony, może się nieoczekiwanie poruszyć.
- f) **Upewnić się, że żadna ciecz nie przyska na obudowę elektronarzędzia.** Ciesza przenikająca do elektronarzędzia może spowodować uszkodzenia i prowadzić do porażenia prądem.
- g) **Przestrzegać instrukcji i ostrzeżeń dotyczących mieszanego materiału.** Mieszany materiał może być bardzo szkodliwy.
- h) **Jeśli elektronarzędzie upadnie w mieszany materiał, niezwłocznie odłączyć narzędzie od zasilania i przekazać do sprawdzenia przez wykwalifikowanego serwisanta.** Sięganie do wiadra przy nadal podłączonym

narzędziu może prowadzić do porażenia prądem.

- i) **Nie wkładać rąk do pojemnika mieszającego ani nie umieszczać w nim innych przedmiotów podczas mieszania.** Kontakt z łopatkami mieszarki może prowadzić do poważnych obrażeń.
- j) **Uruchomić i obsługiwać narzędzie wyłącznie w pojemniku mieszającym.** Łopatki mieszarki mogą się zginać lub kręcić w niekontrolowany sposób.

DODATKOWE WSKAZÓWKI BEZPIECZEŃSTWA

- Każdorazowo należy sprawdzać, czy napięcie zasilania jest zgodne z napięciem podanym na tabliczce znamionowej urządzenia
- Nigdy nie używać narzędzia, gdy przewód jest uszkodzony; musi on zostać wymieniony na przewód specjalny dostępny w sieci serwisowej.
- Nigdy nie należy używać urządzenia w środowisku wybuchowym lub w jego pobliżu
- Nigdy nie należy mieszać materiałów łatwopalnych
- Należy nosić rękawice ochronne, maskę przeciwpyłową, dopasowane ubranie oraz solidne obuwie
- Poziom hałasu podczas pracy może przekraczać 85 dB(A); **używać nauszniki do ochrony słuchu**
- SKIL może zagwarantować bezawaryjne działanie narzędzia tylko przy korzystaniu z oryginalnego wyposażenia dodatkowego
- **Nie stosować przedłużek do łopatek mieszarki**
- **Przed przystąpieniem do wykonywania jakichkolwiek czynności przy narzędziu, w czasie przerw w pracy jak również po jej zakończeniu wyjąć wtyczkę z gniazda sieciowego**

OBJASNIENIE SYMBOLI NA NARZĘDZIU

- ③ Przed użyciem przeczytaj instrukcję obsługi
- ④ Podwójna izolacja (brak uziemienia)
- ⑤ Nie wyrzucaj elektronarzędzi i baterie wraz z odpadami z gospodarstwa domowego

UŻYTKOWANIE

- Włącz/wyłącz ⑥
- ! **należy zdawać sobie sprawę z sił, jakie powstają w wyniku zakleszczenia; trzeba mocno trzymać narzędzie obiema rękami i zachowywać bezpieczną odległość**
- Regulacja prędkości dla płynnego startu ⑦
- Rama ochronna ⑧
 - do ochrony urządzenia
 - do prowadzenia urządzenia
 - do łatwego odłożenia urządzenia
 - proszę zamontować ramę ochronną C przed pierwszym użyciem urządzenia
- ! **proszę nigdy nie używać urządzenia bez ramy ochronnej**
- Obsługa narzędzia
- ! **upewnić się, że narzędzie jest wyłączone**
 - proszę zamontować łopatkę D na wrzeciono E według rysunku ⑨
 - włożyć wtyk elektronarzędzia do gniazda sieciowego
 - proszę upewnić się, że pojemnik mieszający jest bezpiecznie ustawiony na ziemi
 - proszę zanurzyć łopatkę w przeznaczoną do mieszania substancję **przed włączeniem urządzenia**, a następnie stopniowo zwiększać prędkość mieszania dociskając spust (w taki sposób, aby nie rozchłapać substancji i nie przeciążyć urządzenia)
- ! **proszę wyłączyć jedynie wtedy gdy łopatką**

- mieszająca pozostaje w pojemniku mieszającym
- Utrzymywanie i prowadzenie narzędzia ⑩
- ! **podczas pracy zawsze trzymać narzędzie za uchwyt(y) ograniczone szarym kolorem**
- ! **elektronarzędzie trzymać zawsze oburącz**

KONSERWACJA / SERWIS

- Narzędzie nie jest przeznaczone do zastosowań profesjonalnych
- Zawsze dbać o czystość narzędzia i przewodu zasilającego (a szczególnie otworów wentylacyjnych)
 - po mieszaniiu zawsze oczyścić mieszarka i części czynne
 - przyrząd należy czyścić suchą, miękką szmatką (nie używać środków czyszczących ani rozpuszczalników)
 - otwory wentylacyjne F ② należy czyścić regularnie za pomocą szczotki lub sprężonego powietrza
- ! **przed przystąpieniem do czyszczenia należy wyjąć wtyk z gniazda sieciowego**
- Jeśli narzędzie, mimo dokładnej i wszechstronnej kontroli produkcyjnej ulegnie kiedykolwiek awarii, naprawę powinien przeprowadzić autoryzowany serwis elektronarzędzi firmy SKIL
 - odesłać **nierozebrany** narzędzie, wraz z dowodem zakupu, do dealera lub do najbliższego punktu usługowego SKIL (adresy oraz diagram serwisowy narzędzenia znajdują się na stronach www.skil.com)
- Prosimy pamiętać, że uszkodzenia spowodowane przeciążeniem lub niewłaściwym użytkowaniem narzędzia nie podlegają gwarancji (warunki gwarancji SKIL znajdują się na www.skil.com lub pytać swojego dealera)

ŚRODOWISKO

- **Nie wyrzucaj elektronarzędzi, baterie, akcesoriów i opakowania wraz z odpadami z gospodarstwa domowego** (dotyczy tylko państw UE)
 - zgodnie z Europejską Dyrektywą 2012/19/WE w sprawie użytego sprzętu elektrotechnicznego i elektronicznego oraz dostosowaniem jej do prawa krajowego, zużyte elektronarzędzia należy posegregować i zutylizować w sposób przyjazny dla środowiska
 - w przypadku potrzeby pozbycia się narzędzia, akcesoriów i opakowania - symbol ⑤ przypomni Ci o tym

HAŁASU / WIBRACJE

- Pomiarów dokonano zgodnie z normą EN 62841 ciśnienie akustyczne narzędzia wynosi 83 dB(A) zaś poziom mocy akustycznej 94 dB(A) (poziom odchylenie: 3 dB), zaś wibracje 3,3 m/s² (suma wektorowa z trzech kierunków; błąd pomiaru K = 1,5 m/s²)
- Poziom emisji wibracji został zmierzony zgodnie z testem standaryzowanym podanym w EN 62841; może służyć do porównania jednego narzędzia z innym i jako ocena wstępna narażenia na wibracje w trakcie używania narzędzia do wymienionych zadań
 - używanie narzędzia do innych zadań, lub z innymi albo źle utrzymanymi akcesoriami, może znacząco **zwiększyć** poziom narażenia
 - przypadki, kiedy narzędzie jest wyłączone lub jest czynne, ale aktualnie nie wykonuje zadania, mogą znacząco **zmniejszyć** poziom narażenia

! należy chronić się przed skutkami wibracji przez konserwację narzędzia i jego akcesoriów, zakładanie rękawic i właściwą organizację pracy

RU

Мешалка

1608

В состав эксплуатационных документов, предусмотренных изготовителем для продукции, могут входить настоящее руководство по эксплуатации, а также приложения. Информация о подтверждении соответствия содержится в приложении.

Срок службы изделия

Срок службы изделия составляет 7 лет. Не рекомендуется к эксплуатации по истечении 5 лет хранения с даты изготовления без предварительной проверки (дату изготовления см. на этикетке).

Перечень критических отказов и ошибочные действия персонала или пользователя

- не использовать с поврежденной рукояткой или поврежденным защитным кожухом
- не использовать при появлении дыма непосредственно из корпуса изделия
- не использовать с переломанными или оголенными электрическими кабелями
- не использовать на открытом пространстве во время дождя (в распыляемой воде)
- не включать при попадании воды в корпус
- не использовать при сильном искрении
- не использовать при появлении сильной вибрации

Критерии предельных состояний

- перелом или поврежден электрический кабель
- поврежден корпус изделия

Тип и периодичность технического обслуживания

Рекомендуется очистить инструмент от пыли после каждого использования.

Хранение

- необходимо хранить в сухом месте
- необходимо хранить вдали от источников повышенных температур и воздействия солнечных лучей
- при хранении необходимо избегать резкого перепада температур
- хранение без упаковки не допускается
- подробные требования к условиям хранения смотрите в ГОСТ 15150 (Условие 1)

Транспортировка

- категорически не допускается падение и любые механические воздействия на упаковку при транспортировке
- при разгрузке/погрузке не допускается использование любого вида техники, работающей по принципу зажима упаковки
- подробные требования к условиям транспортировки смотрите в ГОСТ 15150 (Условие 5)

ВНИМАНИЕ!

В случае возникновения перебоев в работе электроинструмента вследствие полного или

частичного прекращения энергоснабжения или повреждения цепи управления энергоснабжением установите выключатель в положение **Выкл.**, убедившись, что он не заблокирован (при его наличии) и отключите сетевую вилку от розетки или отсоедините съёмный аккумулятор (этот предотвращается неконтролируемый повторный запуск)

ВВЕДЕНИЕ

- Данная электронная мешалка используется для легкого перемешивания различных веществ
- При помощи разных смесительных лопастей можно перемешивать множество веществ (различные виды цементных смесей, строительных клеев, красок, выравнивающих смесей, штукатурных и сухих строительных растворов и т. д.)
- Рекомендуемый объем перемешиваемого вещества зависит от типа и состояния этого вещества, и типа используемой лопасти
- Не перемешивайте более 40 литров вещества за один раз
- Данный инструмент не подходит для промышленного использования
- Прочитайте и сохраните с данной инструкцией ③

ТЕХНИЧЕСКИЕ ДАННЫЕ ①

СТРАНА ИЗГОТОВЛЕНИЯ

Сделано в Китае

ДЕТАЛИ ИНСТРУМЕНТА ②

- A Курок-выключатель вкл/выкл и регулятор скорости
- B Кнопка для запираания выключателя
- C Защитная рама
- D Смесительная лопасть
- E Шпиндель
- F Вентиляционные отверстия
- G Ключ (2)
- H Ключ-шестигранник

БЕЗОПАСНОСТЬ

ОБЩИЕ УКАЗАНИЯ ПО ТЕХНИКЕ БЕЗОПАСНОСТИ ОБ- РАЩЕНИЯ С ЭЛЕКТРОИНСТРУМЕНТАМИ

ВНИМАНИЕ! Следует ознакомиться со всеми правилами техники безопасности, инструкциями, иллюстрациями и техническими данными, содержащимися в прилагаемых к этому электроинструменту материалах. Несоблюдение нижеперечисленных инструкций в полном объеме может повлечь поражение электрическим током, пожар и/или серьезную травму.

Сохраняйте эти инструкции и указания для будущего использования.

Использованное в настоящих инструкциях и указаниях понятие “электроинструмент” распространяется на электроинструмент с питанием от сети (с кабелем питания от электросети) и на аккумуляторный электроинструмент (без кабеля питания от электросети).

1) БЕЗОПАСНОСТЬ РАБОЧЕГО МЕСТА

- a) Соблюдайте чистоту и поддерживайте

надлежащую освещенность на рабочем месте.

Беспорядок на рабочем месте или его плохое освещение могут привести к несчастным случаям.

- b) **Не используйте с электроинструментом во взрывоопасной среде, т.е. в непосредственной близости от легковоспламеняющихся жидкостей, газов или пыли.** В процессе работы электроинструмент искрит и искры могут воспламенить газы или пыль.
 - c) **При работе с электроинструментом не допускайте детей или посторонних на Ваше рабочее место.** Отвлечение Вашего внимания может привести к потере контроля над работой электроинструмента.
- #### 2) ЭЛЕКТРИЧЕСКАЯ БЕЗОПАСНОСТЬ
- a) **Штепсельная вилка кабеля питания электроинструмента должна соответствовать розетке электросети. Не вносите никаких изменений в конструкцию вилки. Не используйте адаптеры для электроинструмента с защитным заземлением.** Заводские штепсельные вилки и соответствующие им сетевые розетки существенно снижают вероятность электрошока.
 - b) **Избегайте механических контактов с такими заземленными поверхностями, как трубопроводы, системы отопления, плиты и холодильники.** При соприкосновении человека с заземленными предметами во время работы инструментом вероятность электрошока существенно возрастает.
 - c) **Оберегайте электроинструмент от воздействия дождя и влаги.** Попадание воды в электроинструмент повышает вероятность электрического удара.
 - d) **Используйте кабель строго по назначению. Не допускается тянуть и передвигать электроинструмент за кабель или использовать кабель для вытягивания вилки из розетки.** Оберегайте кабель инструмента от воздействия высоких температур, масла, острых кромок или движущихся частей электроинструмента. Поврежденный или спутанный кабель повышает возможность электрического удара.
 - e) **При работе на улице используйте удлинитель, предназначенный для работы вне помещения.** Использование такого удлинителя снижает вероятность электрического удара.
 - f) **Если невозможно избежать применения электроинструмента в сыром помещении, то устанавливайте устройство защиты от утечки в землю.** Использование устройства защиты от утечки в землю снижает риск электрического поражения.
- #### 3) ЛИЧНАЯ БЕЗОПАСНОСТЬ
- a) **Будьте внимательны, следите за тем, что Вы делаете и выполняйте работу обдуманно. Не пользуйтесь электроинструментом, если Вы устали или находитесь под воздействием транквилизаторов, алкоголя или медицинских препаратов.** Секундная потеря концентрации в работе с электроинструментом может привести к серьезным травмам.
 - b) **Используйте средства индивидуальной защиты. Защитные очки обязательны.** Средства индивидуальной защиты, такие как противопылевой

респиратор, нескользящая защитная обувь, шлем-каска, средства защиты органов слуха применяются в соответствующих условиях работы обстоятельствах и минимизируют возможность получения травм.

- c) **Предотвращайте непреднамеренное включение электроинструмента. Перед подключением электроинструмента к электропитанию и/или к аккумулятору убедитесь в выключенном состоянии электроинструмента.** Если Вы при транспортировке электроинструмента держите палец на выключателе или включенный электроинструмент подключаете к сети питания, то это может привести к несчастному случаю.
- d) **Во избежание травм перед включением электроинструмента удалите регулировочный или гаечный ключ из вращающейся части электроинструмента.**
- e) **Не переоценивайте свои возможности. Твердо стойте на ногах и удерживайте равновесие.** В таком положении вы сможете лучше контролировать электроинструмент в неожиданных ситуациях.
- f) **Используйте подходящую рабочую одежду. Не надевайте свободную одежду и украшения. Держите волосы и одежду вдали от движущихся частей.** Свободная одежда, украшения или длинные волосы легко могут попасть в движущиеся части электроинструмента.
- g) **При наличии пылеотсасывающих и пылесборных приспособлений убедитесь в том, что они подсоединены и используются надлежащим образом.** Применение пылеотсоса может снизить опасности, создаваемые пылью.
- h) **Хорошее знание электроинструментов, полученное в результате частого их использования, не должно приводить к самоуверенности и игнорированию техники безопасности обращения с электроинструментами.** Одно небрежное действие за долю секунды может привести к серьезным травмам.
- 4) **ЭКСПЛУАТАЦИЯ И УХОД ЗА ЭЛЕКТРОИНСТРУМЕНТОМ**
 - a) **Не перегружайте электроинструмент. Используйте тот электроинструмент, который предназначен для данной работы.** С подходящим электроинструментом Вы выполните работу лучше и надежней, используя весь диапазон его возможностей.
 - b) **Не используйте электроинструмент с неисправным выключателем.** Инструмент с неисправным выключателем опасен и подлежит ремонту.
 - c) **До начала наладки электроинструмента, замены принадлежности или прекращения работы отключайте штепсельную вилку от розетки сети и/или выньте, если это возможно, аккумулятор.** Данная мера предосторожности предотвращает случайное включение электроинструмента.
 - d) **Храните неиспользуемый электроинструмент в недоступном для детей месте и не позволяйте использовать его лицам, не умеющим с ним обращаться или не ознакомленным с инструкцией по эксплуатации.**

Электроинструменты представляют собой опасность в руках неопытных пользователей.

- e) **Тщательно ухаживайте за электроинструментом и принадлежностями. Проверьте безупречность функции подвижных частей, лёгкость их хода, целостность всех частей и отсутствие повреждений, которые могут негативно сказаться на работе инструмента. При обнаружении повреждений сдайте инструмент в ремонт.** Большое число несчастных случаев связано с неудовлетворительным уходом за электроинструментом.
 - f) **Режущие части инструмента необходимо поддерживать в заточенном и чистом состоянии.** При надлежащем уходе за режущими принадлежностями с острыми кромками они режут заклиниваются и инструмент лучше поддается контролю.
 - g) **Используйте электроинструмент, принадлежности, биты и т.д. в соответствии с данными инструкциями, исходя из особенностей условий и характера выполняемой работы.** Использование электроинструмента не по назначению может привести к опасным последствиям.
 - h) **Держите ручки и поверхности захвата сухими и чистыми, следите чтобы на них чтобы на них не было жидкой или консистентной смазки.** Скользкие ручки и поверхности захвата препятствуют безопасному обращению с инструментом и не дают надежно контролировать его в непредвиденных ситуациях.
 - 5) **СЕРВИСНОЕ ОБСЛУЖИВАНИЕ**
 - a) **Передавайте электроинструмент на сервисное обслуживание только квалифицированному персоналу, использующему только подлинные запасные части.** Это обеспечит сохранение безопасности электроинструмента.
- УКАЗАНИЯ ПО БЕЗОПАСНОСТИ ДЛЯ МЕШАЛОК**
- a) **Держите инструмент обеими руками за предназначенные для этого ручки.** Неспособность удерживать инструмент может привести к травме.
 - b) **При смешивании легковоспламеняющихся материалов обеспечьте достаточную вентиляцию, чтобы избежать создания опасной среды.** Образующиеся испарения могут попасть в дыхательные пути или воспламениться от искр, образующихся при работе электроинструмента.
 - c) **Не используйте этот инструмент для перемешивания пищевых продуктов.** Электроинструменты и принадлежности к ним не предназначены для работы с пищевыми продуктами.
 - d) **Следите, чтобы шнур питания находился вне зоны действия работающего инструмента.** Шнур может попасть под смешивательную лопасть.
 - e) **Убедитесь, что контейнер для перемешивания установлен на твердой поверхности в устойчивом положении.** Незакрепленный должным образом контейнер может сдвинуться с места и опрокинуться.
 - f) **Следите, чтобы на корпус электроинструмента не попадала жидкость.** Это может привести

к повреждению инструмента и поражению электрическим током.

- g) **Соблюдайте предупреждения и инструкции по обращению со перемешиваемыми материалами.** Эти материалы могут быть опасны для здоровья.
- h) **В случае падения электроинструмента в перемешиваемый материал немедленно отключите инструмент от сети и обратитесь к квалифицированному специалисту по ремонту для проверки электроинструмента.** Попытка достать инструмент, не отключенный от питания, может привести к поражению электрическим током.
- i) **При смесительных работах не всовывайте руки или предметы в контейнер для перемешивания.** Контакт с лопастью мешалки может привести к серьезным травмам.
- j) **Запускайте и останавливайте инструмент только в контейнере для перемешивания.** Смесительная лопасть может погнуться или неконтролируемо вращаться.

ДОПОЛНИТЕЛЬНЫЕ УКАЗАНИЯ ПО ТЕХНИКЕ БЕЗОПАСНОСТИ

- Обязательно убедитесь, что напряжение питания соответствует напряжению, указанному на фирменном штепселе инструмента
- Никогда не пользуйтесь инструментом с поврежденным кабелем питания; его необходимо заменить специальным кабелем питания, обратившись в сервисную организацию.
- Никогда не используйте инструмент во взрывоопасной среде или вблизи таковой
- Никогда не перемешивайте горючие вещества
- Одевайте защитные перчатки, респиратор, плотно прилегающую одежду и прочную обувь
- Поскольку уровень шума при работе данного инструмента может превышать 80 дБ(А); **всегда используйте защиту для ушей**
- SKIL обеспечивает надежную работу инструмента только при использовании соответствующих приспособлений
- **Запрещается использовать удлинители смесительной лопасти**
- **Перед регулировкой или сменой принадлежностей обязательно выньте вилку из сетевой розетки**

ПОЯСНЕНИЕ К УСЛОВНЫМ ОБОЗНАЧЕНИЯМ НА ИНСТРУМЕНТЕ

- ③ Перед использованием ознакомьтесь с руководством по эксплуатации
- ④ Двойная изоляция (заземляющий провод не требуется)
- ⑤ Не выкидывайте электроинструмент и батареи вместе с бытовым мусором

ИСПОЛЬЗОВАНИЕ

- Вкл/Выкл ⑥
 - ! **помните об усилении, которое оказывается на инструмент при заедании сверла; крепко держите инструмент обеими руками и займите устойчивое положение**
- Чувствительный курок выключателя (реагирует на силу нажатия изменением скорости) ⑦
- Защитная рама ⑧
 - для защиты инструмента
 - для направления инструмента

- для того, чтобы легко убрать инструмент
- установите защитную раму С до первого использования инструмента

! никогда не используйте инструмент без защитной рамы

- Использование инструмента
 - ! **убедитесь в том, что инструмент выключен**
 - установите смесительную лопасть D на шпиндель E как показано ⑨
 - вставьте вилку в сетевую розетку
 - надежно установите контейнер для перемешивания на полу
 - погрузите смесительную лопасть в вещество, подлежащее перемешиванию, **до того, как включить инструмент**, а затем постепенно увеличивайте скорость перемешивания, нажимая с большей силой на пусковой рычажок (так, чтобы вещество не расплескивалось вокруг, а инструмент не перегружался)
 - ! **выключайте инструмент только тогда, когда смесительная лопасть находится в контейнере для перемешивания**
- Удерживание и направление инструмента ⑩
 - ! **во время работы, всегда держите инструмент за места правильного хвата, которые обозначены серым цветом**
 - ! **всегда держите инструмент двумя руками**

ТЕХОБСЛУЖИВАНИЕ / СЕРВИС

- Данный инструмент не подходит для промышленного использования
- Всегда содержите инструмент и его шнур в чистоте (особенно вентиляционные отверстия)
 - после смешивания всегда очищайте мешалку и функциональные детали
 - для очистки прибора используйте сухой мягкой тканью (не применяйте растворители или моющие средства)
 - регулярно очищайте вентиляционные отверстия F ② при помощи щетки или сжатого воздуха
- ! **перед чисткой инструмента выньте вилку из розетки**
- Если инструмент, несмотря на тщательные методы изготовления и испытания, выйдет из строя, то ремонт следует производить силами авторизованной сервисной мастерской для электроинструментов фирмы SKIL
 - отравьте **неразобранный** инструмент со свидетельством покупки Вашему дилеру или в ближайшую станцию обслуживания фирмы SKIL (адреса и схема обслуживания инструмента приведены в вебсайте www.skil.com)
- Примите к сведению, что повреждения вследствие перегрузки или ненадлежащего обращения с инструментом не будут включены в гарантию (условия гарантии SKIL см. на сайте www.skil.com или узнайте у дилера в Вашем регионе)

ОХРАНА ОКРУЖАЮЩЕЙ СРЕДЫ

- **Не выкидывайте электроинструмент, батареи, принадлежности и упаковку вместе с бытовым мусором** (только для стран ЕС)
 - во исполнение европейской директивы 2012/19/ЕС об утилизации отслужившего свой срок

електричного та електронного обладнання та в відповідності з діючим законодавством, утилізація електроінструментів виробляється окремо від інших відходів на підприємствах, відповідуючих умовам екологічної безпеки

- значок ⑤ нагадує Вам про це, коли з'явиться необхідність передати електроінструмент на утилізацію

ШУМ / ВИБРАЦІЯ

- При вимірюванні в відповідності з стандартом EN 62841 рівень звукового тиску для цього інструмента становить 83 дБ (А) і рівень звукової потужності - 94 дБ (А) (стандартне відхилення: 3 дБ), і вібрація - 3,3 м/с² (векторна сума трьох напрямків; надійність К = 1,5 м/с²)
 - Рівень вібрації був виміряний в відповідності з стандартизованим випробуванням, наведеною в EN 62841; дана характеристика може використовуватися для порівняння одного інструмента з іншим, а також для попередньої оцінки впливу вібрації при використанні даного інструмента для певних цілей
 - при використанні інструмента в інших цілях або з іншими/непрацюючими допоміжними пристосуваннями рівень впливу вібрації може значно **підвищитися**
 - в періоди, коли інструмент відключений або функціонує без фактичного виконання роботи, рівень впливу вібрації може значно **знижитися**
- ! захищайте себе від впливу вібрації, використовуйте інструмент і його допоміжні пристосування в належному стані, використовуйте руки в теплі, а також правильно організуйте свій робочий процес**

UA

Мішалка

1608

ВСТУП

- Дана електронна мішалка використовується для легкого перемішування різних речовин
- За допомогою різних змішувальних лопат можна перемішувати безліч речовин (різні види цементних сумішей, будівельних клеїв, фарб, вирівнювальних сумішей, штукатурних і сухих будівельних розчинів і т.д.)
- Рекомендований об'єм перемішування залежить від типу й стану речовини та типу лопатки, що використовується
- Не перемішуйте більше 40 літрів речовини за один раз
- Цей інструмент не придатний для промислового використання
- Прочитайте і збережіть цю Інструкцію з експлуатації

③

ТЕХНІЧНІ ДАНІ ①

ЕЛЕМЕНТИ ІНСТРУМЕНТА ②

- A Вимикач для вкл/викл та регулювання швидкості
- B Кнопка блокування вимикача
- C Захисна рама
- D Змішувальна лопата
- E Шпінделя
- F Вентиляційні отвори
- G Ключ (2)
- H Шестигранний ключ

БЕЗПЕКА

ЗАГАЛЬНІ ВКАЗІВКИ З ТЕХНІКИ БЕЗПЕКИ ПОВДЖЕННЯ З ЕЛЕКТРОІНСТРУМЕНТАМИ

⚠ ПОПЕРЕДЖЕННЯ Уважно вивчіть запобіжні заходи та ілюстрації, а також прочитайте вказівки та технічні умови, що входять в комплект поставки цього електроінструменту. Недотримання нижчеперелічених вказівок у повному обсязі може спричинити ураження електричним струмом, пожежу та / або серйозну травму.

Добре зберігайте на майбутнє ці попередження і вказівки.

Під поняттям "електроприлад" в цих попередженнях мається на увазі електроприлад, що працює від мережі (з електрокабелем) або від акумуляторної батареї (без електрокабелю).

1) БЕЗПЕКА НА РОБОЧОМУ МІСЦІ

- a) **Примайте своє робоче місце в чистоті та прибирайте його.** Безлад або погане освітлення на робочому місці можуть призводити до нещасних випадків.
 - b) **Не працюйте з приладом у середовищі, де існує небезпека вибуху внаслідок присутності горючих рідин, газів або пилу.** Електроприлади можуть породжувати іскри, від яких може займатися пил або пари.
 - c) **Під час працювання з приладом не підпускайте до робочого місця дітей та інших людей.** Ви можете втратити контроль над приладом, якщо Ваша увага буде відвернута.
- #### 2) ЕЛЕКТРИЧНА БЕЗПЕКА
- a) **Штепсель приладу повинен пасувати до розетки. Не дозволяється що-небудь міняти в штепселі. Для роботи з приладами, що мають захисне заземлення, не використовуйте адаптери.** Використання оригінального штепселя та належної розетки зменшує ризик удару електричним струмом.
 - b) **Уникайте контакту частей тіла із заземленими поверхнями, як напр., трубами, батареями опалення, печами та холодильниками.** Коли Ваше тіло заземлене, існує найбільша небезпека удару електричним струмом.
 - c) **Захищайте прилад від дощу та вологи.** Попадання води в електроінструмент збільшує ризик удару електричним струмом.
 - d) **Не використовуйте кабель для перенесення приладу, підвішування або витягування штепселя з розетки. Захищайте кабель від жару, олії, гострих країв та деталей приладу, що**

- рухаються. Пошкоджений або закручений кабель збільшує ризик удару електричним струмом.
- e) **Для зовнішніх робіт обов'язково використовуйте лише такий подовжувач, що допущений для зовнішніх робіт.** Використання подовжувача, що розрахований на зовнішні роботи, зменшує ризик удару електричним струмом.
 - f) **Якщо не можна запобігти використанню електроприладу у вологому середовищі, використовуйте пристрій захисту від витоків в землю.** Використання зростою захисту від витоків в землю зменшує ризик удару електричним струмом.
- 3) БЕЗПЕНА ЛЮДЕЙ**
- a) **Будьте уважними, слідкуйте за тим, що Ви робите, та розсудливо поведіться під час роботи з електроприладом. Не користуйтеся приладом, якщо Ви стомлені або знаходитесь під дією наркотиків, спиртних напоїв або лік.** Мить неуважності при користуванні приладом може призводити до серйозних травм.
 - b) **Вдягайте особисте захисне спорядження та обов'язково вдягайте захисні окуляри.** Вдягання особистого захисного спорядження, як напр., - в залежності від виду робіт - захисної маски, спецвузуття, що не ковзається, каски або навушників, зменшує ризик травм.
 - c) **Уникайте ненавмисного вмикання.** Перш ніж вмикати електроприлад в електромережу або встромляти акумуляторну батарею, брати його в руки або переносити, впевніться в тому, що електроприлад вимкнений. Тримання пальця на вимикачі під час перенесення електроприладу або встромляння в розетку увімкненого приладу може призводити до травм.
 - d) **Перед тим, як вмикати прилад, приборіть налагоджувальні інструменти та гайковий ключ.** Знаходження налагоджувального інструмента або ключа в деталі, що обертається, може призводити до травм.
 - e) **Не переоцінюйте себе. Зберігайте стійке положення та завжди зберігайте рівновагу.** Це дозволить Вам краще зберігати контроль над приладом у несподіваних ситуаціях.
 - f) **Вдягайте придатний одяг. Не вдягайте просторий одяг та прикраси. Не підставляйте волосся й одяг до деталей, що рухаються.** Просторий одяга, прикраси та довге волосся можуть попадати в деталі, що рухаються.
 - g) **Якщо існує можливість монтувати пиловідсмоктувальні або пилоуловлювальні пристрої, переконайтеся, щоб вони були добре під'єднані та правильно використовувалися.** Використання пиловідсмоктувального пристрою може зменшити небезпеки, зумовлені пилом.
 - h) **Добре знання електроінструментів, отримане в результаті частого їх використання, не повинно призводити до самовпевненості й ігнорування принципів техніки безпеки.** Необережна дія може в одну мить призвести до важкої травми.
- 4) ПРАВИЛЬНЕ ПОВЕДІННЯ ТА КОРИСТУВАННЯ ЕЛЕКТРОПРИЛАДАМИ**
- a) **Не перевантажуйте прилад. Використовуйте такий прилад, що спеціально призначений для певної роботи.** З придатним приладом Ви з меншим ризиком отримаєте кращі результати роботи, якщо будете працювати в зазначеному діапазоні потужності.
 - b) **Не користуйтеся приладом з пошкодженням вимикачем.** Прилад, який не можна увімкнути або вимкнути, є небезпечним і його треба відремонтувати.
 - c) **Перед тим, як регулювати що-небудь на приладі, міняйте приладдя або ховати прилад, витягніть штепсель із розетки та/або витягніть акумуляторну батарею, якщо вона знімається.** Ці попереджувальні заходи з техніки безпеки зменшують ризик ненавмисного запуску приладу.
 - d) **Зберігайте електроприлади, якими Ви саме не користуєтесь, далеко від дітей. Не дозволяйте користуватися електроприладом особам, що не знайомі з його роботою або не читали ці вказівки.** У разі застосування недосвідченими особами прилади несуть в собі небезпеку.
 - e) **Старанно доглядайте за електроінструментами і приладдям. Перевірте, щоб рухомі деталі приладу бездоганно працювали та не заїдали, не були поламаними або настільки пошкодженими, щоб це могло вплинути на функціонування приладу.** Пошкоджені деталі треба відремонтувати в авторизованій майстерні, перш ніж ними можна знову користуватися. Велика кількість нещасних випадків спричиняється поганим доглядом за електроприладами.
 - f) **Тримайте різальні інструменти добре нагостреними та в чистоті.** Старанно доглянуті різальні інструменти з гострим різальним краєм менше застряють та їх легше вести.
 - g) **Використовуйте електроприлади, приладдя до них, робочі інструменти т.і. відповідно до цих вказівок. Беріть до уваги при цьому умови роботи та специфіку виконуваної роботи.** Використання електроприладів для робіт, для яких вони не передбачені, може призводити до небезпечних ситуацій.
 - h) **Тримайте рукоятки і поверхні захвату сухими і чистими, слідкуйте, щоб на них не було оливи або густо мастила.** Слизькі рукоятки і поверхні захвату унеможливають безпечне поводження з електроінструментом та його контролювання в неочікуваних ситуаціях.
- 5) СЕРВІС**
- a) **Віддавайте свій прилад на ремонт лише кваліфікованим фахівцям та лише з використанням оригінальних запчастин.** Це забезпечить безпеку приладу на довгий час.

ВКАЗІВКИ ПО БЕЗПЕЦІ ДЛЯ МІШАЛОК

- a) **Тримайте інструмент обома руками за спеціальні призначені ручки.** Втрата контролю над інструментом може спричинити тілесні ушкодження.
- b) **Забезпечте достатню вентиляцію при змішуванні легковозяємистих матеріалів, аби уникнути утворення потенційно небезпечної атмосфери.** Пара, що утворюється, може попадати до дихальних

шляхів або займатися від іскор, які виробляє електроінструмент.

- c) **Не для змішування харчових продуктів.** Електричні інструменти та їх комплектувальні деталі не призначені для перероблення їжі.
- d) **Тримайте дрот осторонь від робочої зони.** Дріт може заплутатися у лопатці змішувача.
- e) **Перенайтеся, що ємність для змішування розміщено у надійному та безпечному положенні.** Неправильно закріплена ємність може раптово переміщуватися.
- f) **Перенайтеся, що рідина не розбризкується на корпус електроінструменту.** Рідина, що проникла до електроінструменту, може призвести до його пошкодження та ураження оператора електричним струмом.
- g) **Дотримуйтеся інструкцій та попереджень щодо речовини, що підлягає змішуванню.** Речовина, що підлягає змішуванню, може бути потенційно небезпечною.
- h) **Якщо електроінструмент потрапляє в матеріал, що підлягає змішуванню, негайно від'єднайте його від електромережі та попросіть кваліфікованого спеціаліста-ремонтника його перевірити.** Якщо опустити руку до ємності, в якій знаходиться все ще під'єднаний до електромережі інструмент, можна отримати враження електричним струмом.
- i) **Не опускайте руки і не вставляйте будь-які інші предмети до змішувальної ємності під час перемішування.** Контакт із лопаткою змішувача може спричинити серйозні тілесні ушкодження.
- j) **Вмикайте та вимикайте інструмент лише в ємності для змішування.** Лопатка змішувача може неконтрольовано згинатися або крутитися.

ДОДАТКОВІ ВКАЗІВКИ З ТЕХНІКИ БЕЗПЕКИ

- Перед роботою перевірте відповідність струму в мережі із струмом, позначені на інструменті
- Категорично забороняється користуватися інструментом при пошкодженні електричного шнура; заміна на аналогічний підготовлений шнур повинна проводитися організацією з обслуговування.
- Ніколи не використовуйте інструмент у вибухонебезпечному середовищі або біля такого
- Ніколи не перемішуйте горючі речовини
- Одягайте захисні рукавички, пилову маску, щільно облягаючий одяг та міцне взуття
- Рівень шуму при роботі може перевищувати 85 дБ(а); **використовуйте навушники**
- SKIL гарантує надійну роботу інструмента тільки при використанні відповідного приладдя
- **Не використовуйте подовжувачі для лопатки змішувача**
- **Перед регулюванням або заміною приладдя обов'язково вийміть вилку із сітьової розетки**

ПОЯСНЕННЯ ДО УМОВНИХ ПОЗНАЧОК НА ІНСТРУМЕНТІ

- ③ Перед використанням прочитайте інструкцію із застосування
- ④ Подвійна ізоляція (заземлюючий провід не потрібен)
- ⑤ Не викидайте електроінструмент та батареї разом зі звичайним сміттям

ВИКОРИСТАННЯ

- Вкл/Викл ⑥
! пам'няйте про безпеку, що може з'явитися під час заїдання свердла; тримайте інструмент двома руками та займайте надійну позу
- Контроль швидкості для плавного пуску ⑦
- Захисна рама ⑧
 - для захисту інструменту
 - для спрямування інструменту
 - для того, щоб легко вийняти інструмент
 - встановіть захисну раму С до першого використання інструмента**! ніколи не використовуйте інструмент без захисної рами**
- Використання інструменту
! упевніться, що прилад вимкнений
 - встановіть змішувальну лопату D на шпindel ь E так, як показано на малюнку ⑨
 - під'єднайте штепсельну вилку до мережі електроживлення
 - надійно встановіть контейнер для перемішування на підлозі
 - занурите змішувальну лопату в речовину, що підлягає перемішуванню, **до вмикання інструменту**, а потім поступово підвищуйте швидкість перемішування, натискаючи з більшою силою на пусковий важілець (так, щоб речовина не розхлюпувалася навколо, а інструмент не перевантажувався)**! вмикайте інструмент тільки тоді, коли змішувальна лопата перебуває в контейнері для перемішування**
- Утримування і робота інструментом ⑩
! під час роботи, завжди тримайте інструмент за частини захвату сірого кольору
! завжди міцно тримайте пристрій обома руками

ДОГЛЯД/ОБСЛУГОВУВАННЯ

- Цей інструмент не придатний для промислового використання
- Завжди тримайте інструмент та його шнур у чистоті (особливо вентиляційні отвори)
 - після змішування завжди очищуйте мішалка і функціональні деталі
 - очищуйте прилад сухою м'якою тканиною (забороняється застосовувати засоби для миття або розчинники)
 - регулярно очищуйте вентиляційні отвори F ⑫ за допомогою щітки або стисненого повітря
- ! перед чистою інструменту необхідно роз'єднати штепсельний роз'єм**
- Якщо незважаючи на ретельну технологію виготовлення і перевірки інструмент все-таки вийде з ладу, його ремонт дозволяється виконувати лише в авторизованій сервісній майстерні для електроприладів SKIL
 - надішліть **нерозібраний** інструмент разом з доказом купівлі до Вашого дилера або до найближчого центру обслуговування SKIL (адреси, а також діаграма обслуговування пристрою, подаються на сайті www.skil.com)
- Візьміть до відома, що ушкодження внаслідок

перевантаження або неналежного поводження з інструментом не будуть включені в гарантію (умови гарантії SKIL див. на сайті www.skil.com або довідайтеся в дилера у Вашому регіоні)

ОХОРОНА НАВКОЛИШНЬОЇ СЕРЕДИ

- **Не викидайте електродструмент, батареї, належності та упаковку разом зі звичайним сміттям** (тільки для країн ЄС)
 - відповідно до європейської директиви 2012/19/ЄС щодо утилізації старих електричних та електронних приладів, в залежності з місцевим законодавством, електродструмент, який перебував в експлуатації повинен бути утилізований окремо, безпечним для навколишнього середовища шляхом
 - малюнок ⑤ нагадає вам про це

ШУМ / ВІБРАЦІЯ

- Зміряний відповідно до EN 62841 рівень тиску звуку даного інструменту 83 дБ(А) і потужність звуку 94 дБ(А) (стандартне відхилення: 3 дБ), і вібрація 3,3 м/с² (векторна сума трьох напрямків; похибка K = 1,5 м/с²)
 - Рівень вібрації було виміряно у відповідності зі стандартизованим випробуванням, що міститься в EN 62841; дана характеристика може використовуватися для порівняння одного інструмента з іншим, а також для попередньої оцінки впливу вібрації під час застосування даного інструмента для вказаних цілей
 - при використанні інструмента в інших цілях або з іншими/несправними допоміжними пристосуваннями рівень впливу вібрації може значно **підвищуватися**
 - у періоди, коли інструмент вимикнений або функціонує без фактичного виконання роботи, рівень впливу вібрації може значно **знижуватися**
- ! захищайте себе від впливу вібрації, підтримуючи інструмент і його допоміжні пристосування в справному стані, підтримуючи руки в теплі, а також правильно організовуючи свій робочий процес**

GR

Анадеυτήρας 1608 ΕΙΣΑΓΩΓΗ

- Αυτόс о ηλεκτρονικός αναдеυτήρας προορίζεται για την εύκολη και απλή ανάμειξη ουσιών
- Διαθέτει διαφόρων ειδών χτυπητήρια με τα οποία είναι δυνατή η ανάμειξη πολλών ουσιών (διαφορετικών ειδών μειγμάτων τσιμέντου, οικοδομικής κόλλας, βαφών, μειγμάτων για λείανση επιφανειών, φινιρίσματος και υγρού κονιάματος)
- Η συνιστώμενη ποσότητα ανάμειξης εξαρτάται από το είδος και την υφή της προς ανάμειξη ουσίας, και από το χτυπητήρι που χρησιμοποιείται
- Μην αναμειγνύετε πάνω από 40 λίτρα ουσίας την εκάστοτε φορά
- Αυτό το εργαλείο δεν προορίζεται για επαγγελματική χρήση
- Διαβάστε και φυλάξτε αυτές τις οδηγίες χρήσεως ③

ΤΕΧΝΙΚΑ ΧΑΡΑΚΤΗΡΙΣΤΙΚΑ ①

ΜΕΡΗ ΤΟΥ ΕΡΓΑΛΕΙΟΥ ②

- A Διακόπτης εκκίνησης/στάσης και ελέγχου ταχύτητας
- B Κουμπά ασφάλισης του διακόπτη
- C Σκελετός προστασίας
- D Χτυπητήρι
- E Άτρακτος
- F Σχισμές αερισμού
- G Κλειδί (2)
- H Εξάγωνο κλειδί

ΑΣΦΑΛΕΙΑ

ΓΕΝΙΚΕΣ ΥΠΟΔΕΙΞΕΙΣ ΑΣΦΑΛΕΙΑΣ ΓΙΑ ΗΛΕΚΤΡΙΚΑ ΕΡΓΑΛΕΙΑ

ΠΡΟΕΙΔΟΠΟΙΗΣΗ Διαβάστε όλες τις προειδοποιήσεις ασφαλείας καθώς και τις οδηγίες, εικόνες και προδιαγραφές που παρέχονται με αυτό το ηλεκτρικό εργαλείο. Αμέλεια τήρησης όλων των οδηγιών που παρατίθενται παρακάτω μπορεί να προκαλέσει ηλεκτροπληξία, πυρκαγιά ή/και σοβαρό τραυματισμό.

Φυλάξτε όλες τις υποδείξεις ασφαλείας και τις οδηγίες για το μέλλον.

Ο ορισμός “ηλεκτρικό εργαλείο” που χρησιμοποιείται στις προειδοποιητικές υποδείξεις αναφέρεται σε ηλεκτρικά εργαλεία που τροφοδοτούνται από το ηλεκτρικό δίκτυο (με ηλεκτρικό καλώδιο) καθώς και σε ηλεκτρικά εργαλεία που τροφοδοτούνται από μπαταρία (χωρίς ηλεκτρικό καλώδιο).

1) ΑΣΦΑΛΕΙΑ ΣΤΟ ΧΩΡΟ ΕΡΓΑΣΙΑΣ

- a) Διατηρείτε το χώρο που εργάζεσθε καθαρό και καλά φωτισμένο. Αταξία στο χώρο που εργάζεσθε ή μη φωτισμένες περιοχές εργασίας μπορεί να οδηγήσουν σε ατυχήματα.
 - b) Μην εργάζεσθε με το ηλεκτρικό εργαλείο σε περιβάλλον που υπάρχει κίνδυνος έκρηξης, στο οποίο υπάρχουν εύφλεκτα υγρά, αέρια ή σκόνη. Τα ηλεκτρικά εργαλεία μπορεί να δημιουργήσουν σπινθηρισμό ο οποίος μπορεί να αναφλέξει τη σκόνη ή τις αναθυμιάσεις.
 - c) Όταν χρησιμοποιείτε το ηλεκτρικό εργαλείο κρατάτε τα παιδιά κι άλλα τυχόν πρόσωπα μακριά από το χώρο που εργάζεσθε. Σε περίπτωση που άλλα άτομα αποσπάσουν την προσοχή σας μπορεί να χάσετε τον έλεγχο του μηχανήματος.
- #### 2) ΗΛΕΚΤΡΙΚΗ ΑΣΦΑΛΕΙΑ
- a) Το φως του καλωδίου του ηλεκτρικού εργαλείου πρέπει να ταιριάζει στην αντίστοιχη πρίζα. Δεν επιτρέπεται με κανένα τρόπο η μετασκευή του φως. Μην χρησιμοποιείτε προσαρμοστικά φως σε συνδυασμό με ηλεκτρικά εργαλεία συνδεδεμένα με τη γη (γειωμένα). Αθικτα φως και κατάλληλες πρίζες μειώνουν τον κίνδυνο ηλεκτροπληξίας.
 - b) Αποφεύγετε την επαφή του σώματος σας με σωμάτια επιφάνειες όπως σωλήνες, θερμαντικά σώματα (καλοριφέρ), κουζίνες και ψυγεία. Όταν το σώμα σας είναι γειωμένο αυξάνεται ο κίνδυνος ηλεκτροπληξίας.

- c) **Μην εκθέτετε το ηλεκτρικό εργαλείο στη βροχή ή την υγρασία.** Η διείσδυση νερού στο ηλεκτρικό εργαλείο αυξάνει τον κίνδυνο ηλεκτροπληξίας.
- d) **Μη χρησιμοποιείτε το καλώδιο για να μεταφέρετε ή ν' αναρτήσετε το ηλεκτρικό εργαλείο ή για να βγάλετε το φις από την πρίζα.** Κρατάτε το καλώδιο μακριά από υψηλές θερμοκρασίες, λάδια, κοφτερές ακμές ή κινούμενα εξαρτήματα. Τυχόν χαλασμένα ή μπερδεμένα καλώδια αυξάνουν τον κίνδυνο ηλεκτροπληξίας.
- e) **Όταν εργάζεστε με το ηλεκτρικό εργαλείο στο ύπαιθρο χρησιμοποιείτε πάντοτε καλώδια επιμήκυνσης (μπαλαντάζες) που έχουν εγκριθεί για χρήση σε εξωτερικούς χώρους.** Η χρήση καλωδίων επιμήκυνσης εγκριμένων για εργασία σε εξωτερικούς χώρους μειώνει τον κίνδυνο ηλεκτροπληξίας.
- f) **Όταν η χρήση του ηλεκτρικού εργαλείου σε υγρό περιβάλλον είναι αναπόφευκτη, τότε χρησιμοποιήστε έναν προστατευτικό διακόπτη διαρροής.** Η χρήση ενός προστατευτικού διακόπτη διαρροής ελαττώνει τον κίνδυνο ηλεκτροπληξίας.
- 3) ΑΣΦΑΛΕΙΑ ΠΡΟΣΩΠΩΝ**
- a) **Να είσθε πάντοτε προσεκτικός/προσεκτική, να δίνετε προσοχή στην εργασία που κάνετε και να χειρίζεστε το ηλεκτρικό εργαλείο με περίσκεψη.** Μην κάνετε χρήση του ηλεκτρικού εργαλείου όταν είσθε κουρασμένος/κουρασμένη ή όταν βρισκόσθε υπό την επιρροή ναρκωτικών, οινοπνεύματος ή φαρμάκων. Μια στιγμήαια απροσεξία κατά το χειρισμό του ηλεκτρικού εργαλείου μπορεί να οδηγήσει σε σοβαρούς τραυματισμούς.
- b) **Φοράτε προστατευτικά ενδύματα και πάντοτε προστατευτικά γυαλιά.** Όταν φοράτε ενδύματα ασφαλείας, ανάλογα με το υπό χρήση ηλεκτρικό εργαλείο, όπως προσωπίδα προστασίας από σκόνη, αντιολισθηκά παπούτσια ασφαλείας, κράνη ή ωταποπίδες, μειώνεται ο κίνδυνος τραυματισμών.
- c) **Αποφεύγετε την αβέλτη εκκίνηση. Βεβαιωθείτε ότι το ηλεκτρικό εργαλείο έχει αποζευχτεί πριν το συνδέσετε με το ηλεκτρικό δίκτυο ή/και με την μπαταρία καθώς και πριν το παραλάβετε ή το μεταφέρετε.** Όταν μεταφέρετε το ηλεκτρικό εργαλείο έχοντας το δάχτυλό σας στο διακόπτη ή όταν συνδέσετε το μηχανήμα με την πηγή ρεύματος όταν αυτό είναι ακόμη συζευγμένο, τότε δημιουργείται κίνδυνος τραυματισμών.
- d) **Αφαιρείτε από τα ηλεκτρικά εργαλεία πριν τα θέσετε σε λειτουργία τυχόν συναρμολογημένα χρησιμοποιήσιμα εργαλεία ή κλειδιά.** Ένα εργαλείο ή κλειδί συναρμολογημένο στο περιστρεφόμενο εξάρτημα ενός ηλεκτρικού εργαλείου μπορεί να οδηγήσει σε τραυματισμούς.
- e) **Μην υπερκτιμάτε τον εαυτό σας. Φροντίστε για την ασφαλή στήριξη του σώματός σας και διατηρείτε πάντοτε την ισορροπία σας.** Αυτό σας επιτρέπει τον καλύτερο έλεγχο το ηλεκτρικού εργαλείου σε περιπτώσεις απροσδόκων καταστάσεων.
- f) **Φοράτε κατάλληλη ενδυμασία εργασίας. Μη φοράτε φαρδιά ρούχα ή κοσμήματα. Κρατάτε τα μαλλιά και τα ρούχα σας μακριά από κινούμενα εξαρτήματα.** Χαλαρή ενδυμασία, κοσμήματα και

μακριά μαλλιά μπορεί να εμπλακούν στα κινούμενα εξαρτήματα.

- g) **Αν υπάρχει η δυνατότητα συναρμολόγησης διατάξεων αναρρόφησης ή συλλογής σκόνης, βεβαιωθείτε αν οι διατάξεις αυτές είναι συνδεδεμένες καθώς κι αν χρησιμοποιούνται σωστά.** Η χρήση μιας αναρρόφησης σκόνης μπορεί να ελαττώνει τον κίνδυνο που προκαλείται από τη σκόνη.
- h) **Μην εφησυχάζετε σε μια λάθος ασφάλεια και μην αφήφάτε τους κανόνες ασφαλείας για τα ηλεκτρικά εργαλεία, ακόμα και όταν μετά από συχνή χρήση είστε εξοικειωμένοι με το εργαλείο.** Ένας απρόσεκτος χειρισμός μπορεί μέσα σε κλάσματα του δευτερολέπτου να οδηγήσει σε σοβαρούς τραυματισμούς.
- 4) ΧΡΗΣΗ ΚΙ ΕΠΙΜΕΛΗΣ ΧΕΙΡΙΣΜΟΣ ΤΩΝ ΗΛΕΚΤΡΙΚΩΝ ΕΡΓΑΛΕΙΩΝ**
- a) **Μην υπερφορτώνετε το ηλεκτρικό εργαλείο.** Χρησιμοποιείτε για την εκάστοτε εργασία σας το ηλεκτρικό εργαλείο που προορίζεται γι' αυτήν. Με το κατάλληλο ηλεκτρικό εργαλείο εργάζεσθε καλύτερα και ασφαλέστερα στην αναφερόμενη περιοχή ισχύος.
- b) **Μη χρησιμοποιήσετε ποτέ ένα ηλεκτρικό εργαλείο του οποίου ο διακόπτης ON/OFF είναι χαλασμένος.** Ένα ηλεκτρικό εργαλείο το οποίο δεν μπορεί να τεθεί πλέον σε ή εκτός λειτουργίας είναι επικίνδυνο και πρέπει να επισκευαστεί.
- c) **Τροβήξετε το φις από την πρίζα και/ή απομακρύνετε μια αποσπώμενη μπαταρία, προτού εκτελέσετε ρυθμίσεις στο ηλεκτρικό εργαλείο, προτού αλλάξετε εξαρτήματα ή φυλάξετε το ηλεκτρικό εργαλείο.** Αυτά τα προληπτικά μέτρα ασφαλείας μειώνουν τον κίνδυνο από τυχόν αβέλτη εκκίνηση του ηλεκτρικού εργαλείου.
- d) **Διαφυλάγετε τα ηλεκτρικά εργαλεία που δε χρησιμοποιείτε μακριά από παιδιά. Μην αφήνετε άτομα που δεν είναι εξοικειωμένα με το ηλεκτρικό εργαλείο ή δεν έχουν διαβάσει αυτές τις οδηγίες χρήσης να το χρησιμοποιήσουν.** Τα ηλεκτρικά εργαλεία είναι επικίνδυνα όταν χρησιμοποιούνται από άπειρα πρόσωπα.
- e) **Φροντίστε τα ηλεκτρικά εργαλεία και τα εξάρτημα με επιμέλεια. Ελέγχετε, αν τα κινούμενα εξαρτήματα λειτουργούν άψογα, χωρίς να μπλοκάρουν, ή μήπως έχουν σπάσει ή φθαρεί τυχόν εξαρτήματα τα οποία επηρεάζουν τον τρόπο λειτουργίας του ηλεκτρικού εργαλείου. Δώστε αυτά τα χαλασμένα εξαρτήματα για επισκευή πριν τα ξαναχρησιμοποιήσετε.** Η κακή συντήρηση των ηλεκτρικών εργαλείων αποτελεί αιτία πολλών ατυχημάτων.
- f) **Διατηρείτε τα κοπτικά εργαλεία κοφτερά και καθαρά.** Τα κοπτικά εργαλεία που συντηρούνται με προσοχή μπορούν να οδηγηθούν εύκολα και να ελεγχθούν καλύτερα.
- g) **Χρησιμοποιείτε τα ηλεκτρικά εργαλεία, τα εξαρτήματα, τα χρησιμοποιήσιμα εργαλεία κτλ. σύμφωνα με τις παρούσες οδηγίες καθώς. Λαμβάνετε ταυτόχρονα υπόψη σας τις συνθήκες εργασίας και την υπό εκτέλεση εργασία.** Η χρήση του ηλεκτρικού εργαλείου για άλλες εκτός από τις προβλεπόμενες εργασίες μπορεί να δημιουργήσει επικίνδυνες καταστάσεις.

- h) **Διατηρείτε τις λαβές και επιφάνειες λαβής στεγνές, καθαρές και ελεύθερες από λάδι και γράσο.** Οι ολισθηρές λαβές και επιφάνειες λαβής δεν επιτρέπουν κανέναν ασφαλή χειρισμό και έλεγχο του ηλεκτρικού εργαλείου σε τυχόν απρόβλεπτες καταστάσεις.
- 5) **ΣΕΡΒΙΣ**
- a) **Δίνετε το ηλεκτρικό σας εργαλείο για επισκευή από άριστα ειδικευμένο προσωπικό, μόνο με γνήσια ανταλλακτικά.** Έτσι εξασφαλίζεται η διατήρηση της ασφάλειας του ηλεκτρικού εργαλείου.

ΥΠΟΔΕΙΞΕΙΣ ΑΣΦΑΛΕΙΑΣ ΓΙΑ ΑΝΑΔΕΥΤΗΡΕΣ

- a) **Κρατάτε το εργαλείο και με τα δύο χέρια από τις προβλεπόμενες χειρολαβές.** Απώλεια ελέγχου μπορεί να προκαλέσει τραυματισμό.
- b) **Μερμηνήστε για επαρκή αερισμό κατά την ανάμειξη εύφλεκτων υλικών προς αποφυγή δημιουργίας επικίνδυνων συνθηκών.** Υπάρχει κίνδυνος εισπνοής ή ανάφλεξης του δημιουργούμενου ατμού από τους σπινθηρές που παράγει το ηλεκτρικό εργαλείο.
- c) **Μην αναμειγνύετε τρόφιμα.** Τα ηλεκτρικά εργαλεία και τα αξεσουάρ τους δεν έχουν σχεδιαστεί για κατεργασία τροφίμων.
- d) **Το καλώδιο να φυλάσσεται μακριά από τον χώρο εργασίας.** Το καλώδιο μπορεί να μπερδεύει από το χτυπητήρι.
- e) **Φροντίστε το δοχείο ανάμειξης να τοποθετείται σε ευσταθή και ασφαλή θέση.** Το δοχείο που δεν έχει στερωθεί καλά ενδέχεται να μετακινήθει απροσδόκητα.
- f) **Φροντίστε να μην πιτσιλίζετε με υγρά το περίβλημα του ηλεκτρικού εργαλείου.** Το υγρό που διεισδύει στο ηλεκτρικό εργαλείο μπορεί να προκαλέσει βλάβη και ηλεκτροπληξία.
- g) **Ακολουθείτε τις οδηγίες και τις προειδοποιήσεις για το υλικό που προορίζεται για ανάμειξη.** Το υλικό που προορίζεται για ανάμειξη ενδέχεται να είναι επιβλαβές.
- h) **Αν το ηλεκτρικό εργαλείο πέσει μέσα στο υλικό που προορίζεται για ανάμειξη, βγάλτε το βύσμα του αμέσως από την πρίζα και φροντίστε το ηλεκτρικό εργαλείο να ελεγχθεί από εξειδικευμένο τεχνικό.** Αν βάλετε τα χέρια σας μέσα στον κάδο ενώ το εργαλείο παραμένει στην πρίζα, μπορεί να πάθετε ηλεκτροπληξία.
- i) **Μην βάζετε τα χέρια σας ούτε άλλα αντικείμενα μέσα στο δοχείο ανάμειξης κατά τη διάρκεια της ανάμειξης.** Η επαφή με το χτυπητήρι μπορεί να προκαλέσει σοβαρό τραυματισμό.
- j) **Η ενεργοποίηση και η χρήση του εργαλείου να γίνεται μόνο μέσα στο δοχείο ανάμειξης.** Το χτυπητήρι μπορεί να λυγίσει ή να περιστραφεί με μη ελεγχόμενο τρόπο.

ΣΥΜΠΛΗΡΩΜΑΤΙΚΕΣ ΥΠΟΔΕΙΞΕΙΣ ΑΣΦΑΛΕΙΑΣ

- Βεβαιωθείτε ότι η τάση που παρεχόμενου ρεύματος είναι ίδια με την τάση που υποδεικνύεται στην πινακίδα δεδομένων του εργαλείου
- Ποτέ μην χρησιμοποιείτε το εργαλείο όταν το καλώδιο είναι φθαρμένο. Θα πρέπει να αντικατασταθεί από

ειδικά προετοιμασμένο καλώδιο το οποίο υπάρχει διαθέσιμο στο δίκτυο εξυπηρέτησης.

- Μην χρησιμοποιείτε το εργαλείο μέσα ή κοντά σε χώρους με εκρηκτικά υλικά
- Μην αναμειγνύετε εύφλεκες ουσίες
- Φοράτε προστατευτικά γάντια, μάσκα προστασίας από τη σκόνη, εφαρμοστά ενδύματα και γερά παπούτσια
- Η ηχητική στάθμη κατά την εργασία ενδέχεται να ξεπεράσει τα 85 dB(A) - **γι' αυτό θα πρέπει να φοράτε προστασία ακοής**
- Η SKIL εγγυάται την τέλεια λειτουργία του εργαλείου μόνο όταν χρησιμοποιούνται αυθεντικά εξαρτήματα
- Μην χρησιμοποιείτε προεκτάσεις χτυπητηρίου**
- Πάντα να αποσυνδέεται την πρίζα από το ηλεκτρικό δίκτυο πριν κάνετε κάποια ρύθμιση ή αλλάξετε εξάρτημα**

ΕΠΕΞΗΓΗΣΗ ΤΩΝ ΣΥΜΒΟΛΩΝ ΣΤΟ ΕΡΓΑΛΕΙΟ

- ③ Διαβάστε το εγχειρίδιο οδηγιών πριν από τη χρήση
- ④ Διπλή μόνωση (δεν απαιτείται καλώδιο γείωσης)
- ⑤ Μην πετάτε τα ηλεκτρικά εργαλεία και μπαταρίες στον κάδο οικιακών απορριμμάτων

ΧΡΗΣΗ

- Εκκίνηση/Σταση ⑥
- ! εχετε υπόψη σας τις δυνάμεις που δημιουργούνται σαν αποτέλεσμα του μπλοκαρίσματος του εργαλείου - κρατάτε το εργαλείο σφίχτά με τα δύο χέρια και φροντίστε να ατέκεστε σταθερά**
- Ελεγχος ταχύτητας για ομαλή εκκίνηση ⑦
- Σκελετός προστασίας ⑧
 - για την προστασία του εργαλείου
 - για την κατεύθυνση του εργαλείου
 - για αποθήκευση του εργαλείου με ευκολία
 - ανασηκώστε το σκελετό προστασίας C πριν να χρησιμοποιήσετε το εργαλείο για πρώτη φορά
- ! μην χρησιμοποιείτε το εργαλείο χωρίς το σκελετό προστασίας**
- Χειρισμός του εργαλείου
 - ! βεβαιωθείτε ότι το εργαλείο είναι απενεργοποιημένο**
 - στερεώστε το χτυπητήρι D πάνω στον άξονα E όπως δείχνει η εικόνα ⑨
 - συνδέστε την πρίζα με το δίκτυο ηλ. ρεύματος
 - βεβαιωθείτε ότι το δοχείο ανάμειξης είναι ασφαλώς τοποθετημένο στο δάπεδο
 - βυθίστε το χτυπητήρι μέσα στην ουσία προς ανάμειξη **πριν να ενεργοποιήσετε το εργαλείο**, και έπειτα αυξήστε σταδιακά την ταχύτητα ανάμειξης εφαρμόζοντας μεγαλύτερη πίεση στη χειρολαβή (έτσι ώστε η ουσία να μην πιναχτεί γύρω και το εργαλείο να μην υπερφορτωθεί)
 - ! απενεργοποιήστε το εργαλείο μόνο όταν το χτυπητήρι βρίσκεται μέσα στο δοχείο ανάμειξης**
- Πώς να κρατάτε και να οδηγείτε το εργαλείο ⑩
 - ! ενώ εργάζεστε, να κρατάτε πάντα το εργαλείο από τη/τις λαβή/ές με γκρι χρώμα**
 - ! να κρατάτε πάντοτε το εργαλείο σταθερά και με τα δύο χέρια**

ΣΥΝΤΗΡΗΣΗ / ΣΕΡΒΙΣ

- Αυτό το εργαλείο δεν προορίζεται για επαγγελματική χρήση

- Κρατάτε πάντοτε το εργαλείο και το καλώδιο καθαρά (και ιδιαίτερα τις σχισμές αερισμού)
 - να καθαρίζετε πάντα τον αναδευτήρα και τα λειτουργικά μέρη μετά από εργασία ανάδευσης
 - καθαρίστε το εργαλείο με ένα στεγνό, μαλακό πανί (μην χρησιμοποιείτε απορρυπαντικά ή διαλυτικά)
 - Καθαρίζετε τις σχισμές εξαερισμού F ② τακτικά είτε με βούρτσα είτε με συμπιεσμένο αέρα
- ! **αφαιρέστε την πρίζα πριν το καθάρισμα**
- Αν παρ' όλες τις επιμελημένες μεθόδους κατασκευής κι ελέγχου το εργαλείο σταματήσει κάποτε να λειτουργεί, τότε η επισκευή του πρέπει να ανατεθεί σ' ένα εξουσιοδοτημένο συνεργείο για ηλεκτρικά εργαλεία της SKIL
 - στείλτε το εργαλείο **χωρίς να το αποσυρμολογήσετε** μαζί με την απόδειξη αγοράς στο κατάστημα από το οποίο το αγοράσατε ή στον πλησιέστερο σταθμό τεχνικής εξυπηρέτησης της SKIL (θα βρείτε τις διευθύνσεις και το διάγραμμα συντήρησης του εργαλείου στην ιστοσελίδα www.skil.com)
- Να γνωρίζετε ότι βλάβες που προκαλούνται λόγω υπερφόρτωσης ή ακατάλληλου χειρισμού του εργαλείου, δεν καλύπτονται από την εγγύηση (για τους όρους της εγγύησης της SKIL επισκεφτείτε τη διεύθυνση www.skil.com ή απευθυνθείτε στον πλησιέστερο αντιπρόσωπο)

ΠΕΡΙΒΑΛΛΟΝ

- **Μην πετάτε τα ηλεκτρικά εργαλεία, μπαταρίες, εξαρτήματα και συσκευασία στον κάδο οικιακών απορριμμάτων** (μόνο για τις χώρες της ΕΕ)
 - σύμφωνα με την ευρωπαϊκή οδηγία 2012/19/ΕΚ περί ηλεκτρικών και ηλεκτρονικών συσκευών και την ενσωμάτωσή της στο εθνικό δίκαιο, τα ηλεκτρικά εργαλεία πρέπει να συλλέγονται ξεχωριστά και να επιστρέφονται για ανακύκλωση με τρόπο φιλικό προς το περιβάλλον
 - το σύμβολο ⑤ θα σας το θυμήσει αυτό όταν έλθει η ώρα να πετάξετε τις

ΘΟΥΡΒΟΣ / ΚΡΑΔΑΣΜΟΣ

- Μετρημένη σύμφωνα με EN 62841 η στάθμη ακουστικής πίεσης αυτού του εργαλείου ανέρχεται σε 83 dB(A) και η στάθμη ηχητικής ισχύος σε 94 dB(A) (κοινή απόκλιση: 3 dB), και ο κραδασμός σε 3,3 m/s² (άθροισμα ανυσομάτων τριών κατευθύνσεων - ανασφάλεια K = 1,5 m/s²)
- Το επίπεδο παραγωγής κραδασμών έχει μετρηθεί σύμφωνα με μια τυποποιημένη δοκιμή που αναφέρεται στο πρότυπο EN 62841 - μπορεί να χρησιμοποιηθεί για τη σύγκριση ενός εργαλείου με ένα άλλο, καθώς και ως προκαταρκτική αξιολόγηση της έκθεσης στους κραδασμούς όταν το εργαλείο χρησιμοποιείται για τις εφαρμογές που αναφέρονται
 - η χρήση του εργαλείου για διαφορετικές εφαρμογές ή με διαφορετικά ή κακοσυντηρημένα εξαρτήματα μπορεί να **αυξήσει** σημαντικά το επίπεδο έκθεσης
 - όταν το εργαλείο είναι απενεργοποιημένο ή δουλεύει αλλά δεν εκτελεί την εργασία, το επίπεδο έκθεσης μπορεί να **μειωθεί** σημαντικά
- ! **προστατευτείτε από τις επιδράσεις των κραδασμών συντηρώντας σωστά το εργαλείο**

και τα εξαρτήματά του, διατηρώντας τα χέρια σας ζεστά και οργανώνοντας τον τρόπο εργασίας σας

RO

Mixer

1608

INTRODUCERE

- Acest mixer electronic este destinat utilizării pentru amestecarea ușoară și rapidă a substanțelor
- Cu diverse palete de amestecare pot fi amestecate diverse substanțe (diferite tipuri de amestecuri de ciment, adezivi pentru construcții, vopsele, compuși de nivelare, finisaj și mortar uscat, etc)
- Volumul de amestecare recomandat depinde de tipul și starea substanței ce urmează a fi amestecată și de tipul paletei utilizate
- Nu amestecați mai mult de 40 de litri de substanță odată
- Această sculă nu este destinată utilizării profesionale
- Citiți și păstrați acest manual de instrucțiuni ③

DATE TEHNICE ①

ELEMENTELE SCULEI ②

- A Întrerupător deschis/închis și controlul vitezei
- B Buton pentru închiderea întrerupătorului
- C Cadru de protecție
- D Paletă de amestecare
- E Axul
- F Fanțele de ventilație
- G Cheie (2)
- H Cheia hexagonală

SIGURANȚA

INSTRUCȚIUNI GENERALE DE SIGURANȚĂ PENTRU SCULE ELECTRICE

AVERTISMENT Citiți toate avertismentele, instrucțiunile, ilustrațiile și specificațiile furnizate împreună cu această sculă electrică. Neconformarea la instrucțiunile de mai jos poate produce șoc electric, incendiu și/sau răni grave.

Păstrați toate avertisările și instrucțiunile în vederea consultării ulterioare.

Termenul de “sculă electrică” folosit în indicațiile de avertizare se referă la sculele electrice alimentate de la rețea (cu cablu de alimentare) și la sculele electrice cu acumulator (fără cablu de alimentare).

1) SIGURANȚA LA LOCUL DE MUNCĂ

- a) **Păstrați-vă locul de muncă curat și bine iluminat.** Dezordinea la locul de muncă sau existența unor sectoare de lucru neiluminat poate duce la accidente.
- b) **Nu folosiți mașina în medii cu pericol de explozie, acolo unde există lichide, gaze sau pulberi inflamabile.** Sculele electrice pot produce scântei care să aprindă pulberile sau vaporii.
- c) **Nu permiteți accesul copiilor și al altor persoane în timpul lucrului cu mașina.** Dacă vi se distrage atenția puteți pierde controlul asupra mașinii.

2) SECURITATE ELECTRICĂ

- a) **Ștecherul de racordare a mașinii trebuie să se potrivească cu priza de alimentare. Nu este permisă în nici-un caz modificarea ștecherului. Nu folosiți adaptoare pentru ștechere la mașinile legate la pământ.** Ștecherele nemodificate și prizele de curent adecvate acestora reduc riscul de electrocutare.
- b) **Evitați contactul corporal cu suprafețe legate la pământ ca țevi, radiatoare, plite electrice și frigider.** Există un risc crescut de electrocutare atunci când corpul dv. este și el legat la pământ.
- c) **Nu lăsați mașina afară în ploaie sau în mediu umed.** Riscul de electrocutare crește atunci când într-o sculă electrică pătrunde apă.
- d) **Nu trageți niciodată mașina de cordonul de alimentare pentru a o transporta, a o atârna sau a scoate ștecherul din priza de curent. Feriți cordonul de alimentare de căldură, ulei, muchi ascuțiți sau de subansamble aflate în mișcare.** Un cordon de alimentare deteriorat sau înfășurat mărește riscul de electrocutare.
- e) **Atunci când lucrați cu scula electrică în aer liber, folosiți numai cordoane prelungitoare autorizate pentru exterior.** Întrebuințarea unui cordon prelungitor adecvat utilizării în aer liber reduce riscul de electrocutare.
- f) **Atunci când nu poate fi evitată utilizarea sculei electrice în mediu umed, folosiți un întrerupător de circuit cu împământare.** Folosirea unui întrerupător de circuit cu împământare reduce riscul de electrocutare.

3) SECURITATEA PERSOANELOR

- a) **Fiți vigilenți, fiți atenți la ceea ce faceți și procedați rațional atunci când lucrați cu scula electrică. Nu folosiți mașina dacă sunteți oboșiți sau vă aflați sub influența drogurilor, alcoolului sau a medicamentelor.** Un moment de neatenție în timpul lucrului cu mașina poate duce la răniiri grave.
- b) **Purtați echipament de protecție personală și întotdeauna ochelari de protecție.** Folosirea echipamentelor de protecție a persoanei ca mască de protecție împotriva prafului, încălțăminte antiderapantă, cască de protecție sau aparat de protecție auditivă, în funcție de tipul și domeniul de folosire al sculei electrice, reduce riscul răniirilor.
- c) **Evitați o punere în funcțiune involuntară. Înainte de a introduce ștecherul în priză și/sau de a introduce acumulatorul în scula electrică, de a o ridica sau de a o transporta, asigurați vă că aceasta este oprită.** Dacă atunci când transportați scula electrică țineți degetul pe întrerupător sau dacă porniți scula electrică înainte de a o racorda la rețeaua de curent, puteți provoca accidente.
- d) **Înainte de a pune mașina în funcțiune scoateți afară cheile reglabile și fixe.** O cheie reglabilă sau fixă, aflată într-o componentă de mașină care se rotește, poate provoca răniiri.
- e) **Nu vă supraapreciați. Asigurați-vă o poziție stabilă și păstrați-vă întotdeauna echilibrul.** Astfel veți putea controla mai bine mașina în situații neașteptate.
- f) **Purtați îmbrăcăminte de lucru adecvată. Nu purtați haine largi sau podoabe. Feriți părul și îmbrăcăminte de piesele aflate în mișcare.**

Îmbrăcămintea largă, podoabele și părul lung pot fi prinse de piesele aflate în mișcare.

- g) **Dacă există posibilitatea montării de echipament și instalații de aspirare și colectare a prafului, asigurați-vă că acestea sunt conectate și folosite corect.** Folosirea unei instalații de aspirare a prafului poate duce la reducerea poluării cu praf.
 - h) **Nu vă lăsați amăgiți de ușurința în operare dobândită în urma folosirii frecvente a sculelor electrice și nu ignorați principiile de siguranță ale acestora.** Neglijența poate provoca, într-o fracțiune de secundă, vătămări corporale grave
- ## 4) MANEVRAȚI ȘI FOLOSIȚI CU GRIJĂ SCULELE ELECTRICE
- a) **Nu suprasolicitați mașina. Folosiți scula electrică destinată executării lucrării dumneavoastră.** Cu scula electrică potrivită lucrați mai bine și mai sigur în domeniul de putere specificat.
 - b) **Nu folosiți scula electrică dacă are întrerupătorul defect.** O sculă electrică, care nu mai poate fi pornită sau oprită este periculoasă și trebuie reparată.
 - c) **Scoateți ștecherul afară din priză și/sau îndepărtați acumulatoru dacă este detașabil, înainte de a executa reglaje, a schimba accesorii sau a depozita scula electrică.** Această măsură preventivă reduce riscul unei porniri involuntare a mașinii.
 - d) **În caz de nefolosire păstrați mașinile la loc inaccesibil copiilor. Nu permiteți persoanelor care nu sunt familiarizate cu mașina sau care n-au citit prezentele instrucțiuni, să folosească mașina.** Sculele electrice sunt periculoase atunci când sunt folosite de persoane fără experiență.
 - e) **Întrețineți sculele electrice și accesoriile acestora. Controlați dacă componentele mobile funcționează corect și dacă nu se blochează, dacă nu există piese defecte sau deteriorate, care să afecteze funcționarea mașinii. Înainte de a repune în funcțiune mașina, duceți-o la un atelier de asistență service pentru repararea sau înlocuirea pieselor deteriorate.** Multe accidente s-au datorat întreținerii defectuoase a sculelor electrice.
 - f) **Păstrați accesoriile bine ascuțite și curate.** Accesoriile atent întreținute, cu muchi tăietoare bine ascuțite se blochează mai greu și pot fi conduse mai ușor.
 - g) **Folosiți sculele electrice, accesoriile, dispozitivele de lucru etc. conform prezentelor instrucțiuni. Țineți seama de condițiile de lucru și de lucrarea care trebuie executată.** Întrebuințarea unor scule electrice destinate altor utilizări decât cele preconizate, poate duce la situații periculoase.
 - h) **Mențineți mânerul și zonele de prindere uscate, curate și feriți-le de ulei și unsoare.** Mânerul și zonele de prindere alunecoase nu permit manevrarea și controlul sigur al sculei electrice în situații neașteptate.
- ## 5) SERVICIU
- a) **Permiteți repararea mașinii dumneavoastră numai de către un specialist calificat și numai cu piese de schimb originale.** În acest mod este garantată menținerea siguranței de exploatare a mașinii.

INSTRUCȚIUNI DE SIGURANȚĂ PENTRU MIXERE

- a) **Țineți unealta cu ambele mâini de mânerul prevăzute.** Pierderea controlului poate provoca vătămări corporale.
- b) **Asigurați o ventilație suficientă atunci când amestecați materiale inflamabile pentru a evita o atmosferă periculoasă.** Vaporii generați pot fi inhalați sau aprinși de scânteele pe care le produce uneltele electrice.
- c) **Nu amestecați alimente.** Uneltele electrice și accesoriile acestora nu sunt proiectate pentru procesarea alimentelor.
- d) **Țineți cablul la distanță de zona de lucru.** Cablul se poate încurca în paleta mixerului.
- e) **Asigurați-vă că vasul de amestecare este așezat într-o poziție fixă și sigură.** Un vas care nu este bine fixat se poate mișca în mod neașteptat.
- f) **Asigurați-vă că nu sunt vărsate lichide pe carcasa uneltei electrice.** Lichidul care pătrunde în interiorul uneltei electrice poate cauza avarierea acesteia și șocuri electrice.
- g) **Respectați instrucțiunile și avertismentele aferente materialului care urmează să fie amestecat.** Materialul care urmează să fie amestecat poate fi nociv.
- h) **În cazul în care uneltele cad în materialul care urmează să fie amestecat, scoateți-le imediat din priză și asigurați-vă că este verificată de către un specialist calificat.** Atingerea găleții în timp ce uneltele este în continuare băgată în priză poate cauza șocuri electrice.
- i) **Nu băgați mâinile în vasul de amestecare și nici nu introduceți alte obiecte în vas în timpul amestecării.** Contactul cu paleta mixerului poate cauza vătămări corporale grave.
- j) **Porniți și opriți uneltele numai în vasul de amestecare.** Paleta mixerului se poate îndoi sau învârti în mod necontrolat.

AVERTISMENTE SUPPLEMENTARE

- Verificați întotdeauna dacă tensiunea de alimentare este aceeași cu tensiunea indicată pe plăcuța de identificare a sculei
- Nu utilizați niciodată scula electrică atunci când cablul este deteriorat; acesta trebuie înlocuit cu un cablu special, disponibil prin intermediul organizației de service.
- Nu folosiți niciodată scula în apropierea sau într-o atmosferă explozivă
- Nu amestecați niciodată substanțe inflamabile
- Purtați mănuși de protecție, mască de protecție contra prafului, îmbrăcăminte strânsă pe corp și încălțăminte robustă
- Când este utilizat, nivelul de zgomot poate depăși 85 dB(A); **este necesar să purtați echipament de protecție pentru urechi**
- SKIL garantează funcționarea perfectă a aparatului numai dacă sunt folosite accesoriile originale
- **Nu utilizați extensii pentru paleta mixerului**
- **Decuplați întotdeauna ștecherul de la sursa de alimentare înainte de a face o reglare sau o schimbare de accesoriu**

EXPLICAȚIA SIMBOLURILOR DE PE INSTRUMENT

③ Citiți manual de instrucțiuni înainte de utilizare

④ Izolație dublă (nu este necesar fir de împământare)

⑤ Nu aruncați sculele electrice și bateriile direct la pubelele de gunoi


UTILIZAREA

- Pornit/oprit ⑥
 - ! **țineți socoteala de forțele care se creează ca urmare a blocării; țineți aparatul cu ambele mâini cu fermitate și luați o poziție stabilă**
- Control de viteză pentru start încet ⑦
- Cadru de protecție ⑧
 - pentru protecția sculei
 - pentru ghidarea sculei
 - pentru a lăsa scula deoparte într-un mod simplu
 - montați cadrul de protecție C înainte de utilizarea sculei pentru prima dată
- ! **nu folosiți niciodată scula fără cadrul de protecție**
- Utilizarea sculei
 - ! **asigurați-vă că scula nu este în stare de funcționare**
 - montați paleta de amestecare D pe ax E așa cum este ilustrat ⑨
 - cuplați ștecherul la sursa de alimentare
 - asigurați-vă că vasul de amestecare este bine poziționat pe podea
 - cufundați paleta de amestecare în substanța ce urmează a fi amestecată înainte de a porni scula, și apoi creșteți treptat viteza de amestecare aplicând o presiune mai mare asupra declanșatorului (astfel încât substanța să nu se împrăștie în jur și să nu se suprasolicite scula)
 - ! **opriți scula numai cu paleta de amestecare în containerul de amestecare**
- Mănuirea și dirijarea sculei ⑩
 - ! **în timp ce lucrați, țineți întotdeauna scula de zonă (zonele) de prindere colorate gri**
 - ! **întotdeauna țineți mașina foarte bine cu ambele mâini**

ÎNȚREȚINERE / SERVICE

- Această sculă nu este destinată utilizării profesionale
- Păstrați aparatul și cablul curat (mai ales fantele de ventilație)
 - curățați întotdeauna mixerul și părțile funcționale după mixare
 - aparatul se curăță cu o cârpă uscată și moale (nu se folosesc agenți sau solvenți de curățat)
 - curățați orificiile de aerisire F ② regulat cu o perie sau cu aer comprimat
- ! **deconectați de la priză înainte de a curăța**
- Dacă în ciuda procedurilor de fabricație și control riguroase scula are totuși o pană, repararea acesteia se va face numai la un atelier de asistență service autorizat pentru scule electrice SKIL
 - trimiteți scula **în totalitatea lui** cu bonul de cumpărare la distribuitorul sau la centrul de service SKIL cel mai apropiat (adrese și diagrame de service se găsesc la www.skil.com)
- Trebuie să fiți conștienți de faptul că deteriorarea datorată suprasarcinii sau utilizării incorecte a sculei vor fi excluse din garanție (pentru condițiile de garanție SKIL consultați www.skil.com sau întrebați distribuitorul)

MEDIUL

- **Nu aruncați sculele електриче, батериите, аксесоарите или амбалажите директно на публичните места** (numai за таргетите от Европейската общност)
 - Директивата Европейска 2012/19/ЕС съдържа информация за модула за изхвърляне на оборудването електриче и електронично и модула за приложение на нормите в съответствие с законодателството национално; скучите електриче в момента в които са достигнали до степен на износване и трябва да се изхвърлят, те трябва да се събират отделно и рециклират в един от начините по които са предвидени нормите за защита на околната среда
 - символът  означава, че трябва да се внимава при изхвърлянето

ZGOMOT / VIBRAȚII


- Мярката в съответствие с EN 62841 нивото на шум от машината произведена от този инструмент е 83 dB(A) и нивото на сила на шум от машината 94 dB(A) (абсолютна стойност: 3 dB), а нивото на вибрации 3,3 m/s² (сума векторно в три посоки; неопределеност K = 1,5 m/s²)
- Нивото на емисиите на вибрации е измерено в съответствие с един тест стандартизиран точно в EN 62841; може да се използва за сравнение на машината с друга и за оценка предварителна на излагането на вибрации тогава когато използвате машината по начините на приложение посочени
 - използването на машината за приложения различни или с аксесоари различни и които не са поддържани може да **увеличи** значително нивото на излагане
 - моментите в които машината е спряна или когато работи, но не работи, могат да **намалат** значително нивото на излагане
- ! **Внимавайте!** **Избягвайте ефектите на вибрациите при използването на машината и на аксесоарите, предотвратявайте нараняванията на ръцете и организирате работните процеси**

BG

Миксер

1608

УВОД

- Този електрически миксер е предназначен за лесно и просто разбъркване на различни субстанции
- С различните приставки могат да бъдат разбърквани различни видове субстанции (различни видове циментови смеси, строителни лепила, бои, изравнителни смеси, мазилки и сух хоросан (пепелина) и т.н.)
- Препоръчителното количество за разбъркване зависи от вида и състоянието на субстанцията, която ще се разбърква и от вида на използваната приставка
- Не разбърквайте повече от 40 литра субстанция наведнъж
- Този инструмент не е предназначен за професионална употреба
- Прочетете и пазете това ръководство за работа 

ТЕХНИЧЕСКИ ДАННИ


ЕЛЕМЕНТИ НА ИНСТРУМЕНТА

- A Спусък за включване/изключване и регулиране на скоростта

- B Бутон за застопоряване на включващия спусък
- C Защитна рамка
- D Приставка за разбъркване
- E Шпиндел
- F Вентилационните отвори
- G Гаечен ключ (2)
- H Шестостепенен ключ

БЕЗОПАСНОСТ

ОБЩИ УКАЗАНИЯ ЗА БЕЗОПАСНА РАБОТА С ЕЛЕКТРОИНСТРУМЕНТИ

 **ПРЕДУПРЕЖДЕНИЕ** Прочетете всички предупреждения за безопасност, инструкции, илюстрации и спецификации, доставени с този електроинструмент. Неспазването на всички описани по-долу инструкции може да доведе до токов удар, пожар и/или тежко нараняване.

Запазете всички предупреждения и указания за ползване в бъдеще.

Използваният по-долу термин "електроинструмент" се отнася до защитени от електрическата мрежа електроинструменти (със защитен кабел) и до защитени от акумулаторна батерия електроинструменти (без защитен кабел).

1) БЕЗОПАСНОСТ НА РАБОТНОТО МЯСТО

- a) **Поддържайте работното си място чисто и подредено.** Безпорядъкът или недостатъчното осветление могат да спомогнат за възникването на трудово злополука.
 - b) **Не работете с електроинструмента в среда с повишена опасност от възникване на експлозия, в близост до леснозапалими течности, газове или прахообразни материали.** По време на работа в електроинструментите се отделят искри, които могат да възпламят прахообразни материали или пари.
 - c) **Дръжте деца и странични лица на безопасно разстояние, докато работите с електроинструмента.** Ако вниманието Ви бъде отклонено, може да загубите контрола над електроинструмента.
- #### 2) БЕЗОПАСНОСТ ПРИ РАБОТА С ЕЛЕКТРИЧЕСКИ ТОН
- a) **Щепселът на електроинструмента трябва да е подходящ за ползвания контакт. В никакъв случай не се допуска изменение на конструкцията на щепсела. Когато работите със захранени електроуреди, не използвайте адаптери за щепсела.** Ползването на оригинални щепсели и контакти намалява риска от възникване на токов удар.
 - b) **Избягвайте допира на тялото Ви до заземени тела, напр. тръби, отоплителни уреди, пещи и хладилници.** Когато тялото Ви е заземено, рискът от възникване на токов удар е по-голям.
 - c) **Предпазвайте електроинструмента си от дъжд и влага.** Проникването на вода в електроинструмента повишава опасността от токов удар.
 - d) **Не използвайте захранващия кабел за цели, за които той не е предвиден, напр. за да носите**

- елентроинструмента за кабела или да извадите щепсела от контакта. Предпазвайте кабела от нагряване, омасляване, допир до остри ръбове или до подвижни звена на машини. Повредени или усукани кабели увеличават риска от възникване на токов удар.
- e) **Когато работите с електроинструмент навън, използвайте само удължителни кабели, предназначени за работа на открито.** Използването на удължител, предназначен за работа на открито, намалява риска от възникване на токов удар.
- f) **Ако се налага използването на електроинструмента във влажна среда, използвайте предпазен прекъсвач за утечни токове.** Използването на предпазен прекъсвач за утечни токове намалява опасността от възникване на токов удар.
- 3) БЕЗОПАСЕН НАЧИН НА РАБОТА**
- a) **Бъдете концентрирани, следете внимателно действията си и постъпвайте предпазливо и разумно. Не използвайте електроинструмента, когато сте уморени или под влиянието на наркотични вещества, алкохол или упойващи лекарства.** Един миг разсеяност при работа с електроинструмент може да има за последствие изключително тежки наранявания.
- b) **Работете с предпазвач работно облекло и винаги с предпазни очила.** Носенето на подходящи за ползвания електроинструмент и извършваната дейност лични предпазни средства, като дихателна маска, здрави плътнотзатворени обувки със стабилен грайфер, защитна каска или шумозаглушители (антифони), намалява риска от възникване на трудова злополука.
- c) **Избягвайте опасността от включване на електроинструмента по невнимание. Преди да включите щепсела в захранващата мрежа или да поставите акумуляторната батерия, се уверявайте, че пусковият прекъсвач е в положение изключено.** Ако, когато носите електроинструмента, държите пръста си върху пусковия прекъсвач, или ако подавате захранващо напрежение на електроинструмента, когато е включен, съществува опасност от възникване на трудова злополука.
- d) **Преди да включите електроинструмента, се уверявайте, че сте отстранили от него всички помощни инструменти и гаечни ключове.** Помощен инструмент, забравен на въртящо се звено, може да причини травми.
- e) **Не надценявайте възможностите си. Работете в стабилно положение на тялото и във всеки момент поддържайте равновесие.** Така ще можете да контролирате електроинструмента по-добре и по-безопасно, ако възникне неочаквана ситуация.
- f) **Работете с подходящо облекло. Не работете с широки дрехи или украшения. Дръжте косата и дрехите си на безопасно разстояние от движещи се звена.** Широките дрехи, украшенията, дългите коси могат да бъдат захванати и увлечени от въртящи се звена.
- g) **Ако е възможно използването на външна аспирационна система, се уверявайте, че тя е включена и функционира изправно.** Използването на аспирационна система намалява рисковете, дължащи се на отделящата се при работа прах.
- h) **Доброто познаване на електроинструмента вследствие на честа работа с него не е повод за намаляване на вниманието и пренебрегване на мерките за безопасност.** Едно невнимателно действие може да предизвика тежки наранявания само за части от секундата.
- 4) ВНИМАТЕЛНО ОТНОШЕНИЕ НЪМ ЕЛЕКТРОИНСТРУМЕНТИ**
- a) **Не претоварвайте електроинструмента. Използвайте електроинструментите само съобразно тяхното предназначение.** Ще работите по-добре и по-безопасно, когато използвате подходящия електроинструмент в зададения от производителя диапазон на натоварване.
- b) **Не използвайте електроинструмент, чиито пусков прекъсвач е повреден.** Електроинструмент, който не може да бъде изключван и включван по предвидения от производителя начин, е опасен и трябва да бъде ремонтиран.
- c) **Преди да извършвате каквито и да е дейности по електроинструмента, напр. настройване, смяна на работен инструмент, както и когато го прибирате, изключвайте щепсела от контакта, респ. изваждайте батерията, ако е възможно.** Тази мярка премахва опасността от задействане на електроинструмента по невнимание.
- d) **Съхранявайте електроинструментите на места, където не могат да бъдат достигнати от деца. Не допускате те да бъдат използвани от лица, които не са запознати с начина на работа с тях и не са прочели тези инструкции.** Когато са в ръцете на неопитни потребители, електроинструментите могат да бъдат изключително опасни.
- e) **Поддържайте добре електроинструментите си и аксесоарите им. Проверявайте дали подвижните звена функционират безукорно, дали не заклинват, дали има счупени или повредени детайли, които нарушават или изменят функциите на електроинструмента. Преди да използвате електроинструмента, се погрижете повредените детайли да бъдат ремонтирани.** Много от трудовите злополуки се дължат на недобре поддържани електроинструменти и уреди.
- f) **Поддържайте режещите инструменти винаги добре заточени и чисти.** Добре поддържаните режещи инструменти с остри ръбове оказват по-малко съпротивление и се водят по-леко.
- g) **Използвайте електроинструментите, допълнителните приспособления, работните инструменти и т.н., съобразно инструкциите на производителя. С дейности и процедури, евентуално предписани от различни нормативни документи.** Използването на електроинструменти за различни от предвидените от производителя приложения повишава опасността от възникване на трудови злополуки.

- h) **Поддържайте дръжките и ръкохватките сухи, чисти и неомаслени.** Хлъзгавите дръжки и ръкохватки не позволяват безопасната работа и доброто контролиране на електроинструмента при възникване на неочаквана ситуация.

5) ПОДДЪРЖАНЕ

- a) **Допускайте ремонтът на електроинструментите Ви да се извършва само от квалифицирани специалисти и само с използването на оригинални резервни части.** По този начин се гарантира съхраняване на безопасността на електроинструмента.

ИНСТРУКЦИИ ЗА БЕЗОПАСНОСТ ПРИ РАБОТА ЗА МИКСЕРИ

- a) **Дръжте инструмента с две ръце за предназначенията за целта дръжки.** Загубата на контрол може да причини телесно нараняване.
- b) **Осигурете достатъчна вентилация, когато смесвате запалими материали, за да се избегне опасна атмосфера.** Образуващите се изпарения може да бъдат вдишани или да се възпламяват от искрите, които се образуват при работата на електрическия инструмент.
- c) **Не смесвайте храна.** Електрическите инструменти и техните принадлежности не са предназначени за обработване на храни.
- d) **Дръжте кабела далеч от работната зона.** Кабелът може да се заплете от приставката на миксера.
- e) **Уверете се, че смесителният контейнер е поставен в стабилно и обезопасено положение.** Неправилно обезопасен контейнер може да се премести неочаквано.
- f) **Уверете се, че по корпуса на електрическия инструмент не достигат пръски течност.** Проникнала в електрическия инструмент течност може да причини повреда и да доведе до електрически удар.
- g) **Спазвайте инструкциите и предупрежденията за материала, който ще се смесва.** Материалът, който ще се смесва, може да е вреден.
- h) **Ако електрическият инструмент падне в смесвания материал, го изключете незабавно от електрозахранването и го дайте за проверка на квалифициран сервизен техник.** Бъркането в кофата с все още включен в електрозахранването инструмент може да доведе до електрически удар.
- i) **Не бъркайте в смесителния контейнер с ръце и не пускайте други предмети в него по време на смесване.** Контактът с приставката на миксера може да доведе до сериозно телесно нараняване.
- j) **Пускайте и спирайте инструмента само в смесителния контейнер.** Приставката на миксера може да се огъне или завърти неконтролирано.

ДОПЪЛНИТЕЛНИ УКАЗАНИЯ ЗА БЕЗОПАСНА РАБОТА

- Преди включване на инструмента в контакта се уверете, че мрежовото напрежение отговаря на напрежението, обозначено на фирмената табелка на инструмента
- Никога не използвайте инструмента, ако кабелът е повреден; той трябва да бъде заменен със

специално подготвен кабел, наличен през сервизната организация.

- Никога не използвайте уреда във или в близост до експлозивна среда
- Никога не разбърквайте лесно запалими субстанции
- Носете защитни ръкавици, дихателна маска, прилепащо по тялото облекло и твърди обувки
- При работа нивото на шума може да надвиши 85 dB(A); **носете антифони**
- SKIL може да осигури безаварийна работа на електроинструмента само ако се използват оригинални допълнителни приспособления
- **Не използвайте удължители за приставката на миксера**
- **Преди извършването на канвата и да било настройка или смяна на принадлежност винаги изваждайте щепсела от контакта на електрозахранването**

ОБЯСНЕНИЕ НА СИМВОЛИТЕ ПО ИНСТРУМЕНТА

- ③ Преди употреба прочетете ръководството с указания
- ④ Двойна изолация (не се изисква кабел за заземяване)
- ⑤ Не изхвърляйте електроуредите и батерии заедно с битови отпадъци

УПОТРЕБА

- Включване/изключване ⑥
 - ! **имайте предвид силите, които възникват в резултат на засядане на свредлото; дръжте електроинструмента здраво с двете ръце и поддържайте устойчиво положение на тялото**
- Регулиране на скоростта за плавно пускане в ход ⑦
- Защитна рамка ⑧
 - за защита на уреда
 - за направление на уреда
 - за лесно поставяне на уреда на страни
 - монтирайте предпазната рамка C, преди първоначална употреба на уреда
 - ! **никога не използвайте уреда без предпазната рамка**
- Работа с инструмента
 - ! **убедете се, че инструментът е изключен**
 - монтирайте приставката за разбъркване D върху оста E както е показано ⑨
 - включете щепсела в контакта на електрозахранването
 - проверете дали контейнерът, в който ще разбивате, е закрепен, стабилно, на пода
 - потопете приставката за разбъркване в субстанцията, която ще разбърквате, **преди да включите уреда**, а след това увеличете, постепенно, скоростта на разбъркване, увеличавайки натиска върху спусъка (така, че субстанцията да не се разпръсне наоколо и така, че уредът да не се претовари)
 - ! **изключвайте уреда единствено, донто приставката за разбъркване е все още потопена в контейнера за разбъркване**
- Държане и насочване на инструмента ⑩
 - ! **по време на работа, винаги дръжте уреда за оцветената(ите) в сиво зона(и) за хващане**
 - ! **дръжте инструмента здраво с двете ръце**

ПОДДРЪЖКА / СЕРВИЗ

- Този инструмент не е предназначен за професионална употреба
- Поддържайте винаги електроинструмента и защитващия кабел чисти (особено вентилационните отвори)
 - винаги, след приключване на смесителните работи, почиствайте миксера и функционалните части
 - почиствате уреда със сух и мек плат (не използвайте почистващи препарати или разтворители)
 - почиствайте, редовно, вентилационните отвори F ②, с четка или с въздух под налягане
- ! **преди почистване изключете щепсела**
- Ако въпреки прецизното производство и внимателно изпитване възникне повреда, инструментата да се занесе за ремонт в оторизиран сервиз за електроинструменти на SKIL
 - занесете инструментата в **неразглобен вид** заедно с доказателство за покупката му в търговския обект, откъдето сте го закупили, или в най-близкия сервиз на SKIL (адресите, както и схемата за сервизно обслужване на електроинструмента, можете да намерите на адрес www.skil.com)
- Имайте предвид, че повреда поради претоварване или неправилно манипулиране с инструментата ще бъдат изключени от гаранцията (за условията на гаранцията от SKIL виж на интернет адрес: www.skil.com или попитайте вашия дилър)

ОПАЗВАНЕ НА ОКОЛНАТА СРЕДА

- **Не изхвърляйте електроуредите, батерии, приспособленията и опаковките заедно с битови отпадъци** (само за страни от ЕС)
 - съобразно Директивата на ЕС 2012/19/EG относно износени електрически и електронни уреди и отразяването ѝ в националното законодателство износените електроуреди следва да се събират отделно и да се предават за рециклиране според изискванията за опазване на околната среда
 - за това указва символът ⑤ тогава когато трябва да бъдат унищожени

ШУМ / ВИБРАЦИИ

- Измерено в съответствие с EN 62841 нивото на звуково налягане на този инструмент е 83 dB(A) а нивото на звукова мощност е 94 dB(A) (стандартно отклонение: 3 dB), а вибрациите са $3,3 \text{ m/s}^2$ (векторната сума по трите направления; неопределеност $K = 1,5 \text{ m/s}^2$)
- Нивото на предадените вибрации е измерено в съответствие със стандартизирания тест, определен в EN 62841; то може да се използва за сравнение на един инструмент с друг и като предварителна оценка на подлагането на вибрации при използването на инструментата за посочените приложения
 - използването на инструментата за различни от тези приложения или с други, или лошо поддържани аксесоари може значително **да повиши** нивото на което сте подложени
 - периодите от време, когато инструментата е изключен или съответно включен, но с него не се работи в момента могат значително **да намалят** нивото на което сте подложени

! **предпазвайте се от ефектите от вибрациите, като поддържате инструментата и аксесоарите му, пазете ръцете си топли и организирате вашите модели на работа**

SK

Mixér

1608

ÚVOD

- Tento elektronický mixér je určený na ľahké a jednoduché miešanie látok
- Pomocou rôznych lopatiek je možné miešať rôzne druhy látok (rôzne druhy cementových zmesí, stavebné lepidlá, farby, vyrovnávacie zmesi, dokončovacie a suché omietkové zmesi, atď.)
- Odporúčany miešací objem závisí od druhu a stavu miešanej látky a od použitej lopatky na miešanie
- Naraz nemiešajte viac než 40 litrov látky
- Tento nástroj nie je vhodný pre profesionálne použitie
- Prečítajte a uschovajte tento návod na použitie ③

TECHNICKÉ ÚDAJE ①

ČASTI NÁSTROJA ②

- A Prepínač zapnúť/vypnúť a regulácia rýchlosti
- B Gombík na uzamknutie vypínača
- C Ochranný rám
- D Miešacia lopatka
- E Vreteno
- F Vetracie štrbiny
- G Kľúč (2)
- H Imbusový kľúč

BEZPEČNOSŤ

VŠEOBECNÉ BEZPEČNOSTNÉ UPOZORNENIA TÝKAJÚCE SA ELEKTRICKÉHO NÁRADIA

⚠ VÝSTRAHA Prečítajte si všetky bezpečnostné výstrahy, pokyny, ilustrácie a technické údaje, ktoré sú dodané s týmto elektrickým nástrojom. Nedodržanie všetkých nižšie uvedených pokynov môže viesť k poraneniu elektrickým prúdom, požiaru a/alebo vážnemu poraneniu.

Všetky upozornenia a pokyny si odložte na ďalšie použitie.

Pojem „elektrické náradie“ používaný v nasledujúcom texte sa vzťahuje na ručné elektrické náradie napájané zo siete (s prírodnou šnúrou) a na ručné elektrické náradie napájané akumulátorovou batériou (bez prírodnej šnúry).

1) BEZPEČNOSŤ NA PRACOVISKU

- Udržujte svoje pracovisko čisté a upratané.** Neporiadok na pracovisku alebo neosvetlené časti pracoviska môžu viesť k úrazom.
- Nepracujte elektrickým náradím v prostredí ohrozenom výbuchom, v ktorom sa nachádzajú horľavé kvapaliny, plyny alebo prach.** Elektrické náradie produkuje iskry, ktoré môžu prach alebo pary zapáliť.
- Deti a iné osoby udržiavajte počas práce od ručného elektrického náradia v dostatočnej**

vdialenosti. V prípade odpútania Vašej pozornosti by ste mohli stratiť kontrolu nad náradím.

2) ELEKTRICKÁ BEZPEČNOSŤ

- a) **Zástrčka prívodnej šnúry sa musí hodiť do napájacej zásuvky. Zástrčka sa v žiadnom prípade nesmie meniť. Pri uzemnených spotrebičoch nepoužívajte spolu s nimi žiadne adaptéry.** Nezmenená zástrčka a vhodná zásuvka znižujú riziko zásahu elektrickým prúdom.
- b) **Vyhýbajte sa telesnému kontaktu s povrchovými plochami uzemnených spotrebičov, ako sú elektrické rúry, vyhrievacie telesá, sporáky a chladničky.** Keď je Vaše telo uzemnené, riziko zásahu elektrickým prúdom je vyššie.
- c) **Chráňte ručné elektrické náradie pred dažďom a vlhkom.** Vniknutie vody do ručného elektrického náradia zvyšuje riziko zásahu elektrickým prúdom.
- d) **Nepoužívajte prívodnú šnúru na prenášanie náradia, na jeho vešanie, ani za ňu nevyťahujte zástrčku zo zásuvky. Prívodnú šnúru chráňte pred horúcou, olejom, ostrými hranami alebo pohyblivými časťami náradia.** Poškodené alebo zauzlené šnúry zvyšujú riziko zásahu elektrickým prúdom.
- e) **Ak pracujete s ručným elektrickým náradím vonku, používajte len také predlžovacie šnúry, ktoré sú schválené pre používanie vo vonkajších priestoroch.** Používanie predlžovacej šnúry určenej do vonkajšieho prostredia znižuje riziko zásahu elektrickým prúdom.
- f) **Ak sa nedá vyhnúť použitiu ručného elektrického náradia vo vlhkom prostredí, použite prerušovač uzemňovacieho obvodu.** Používanie prerušovača uzemňovacieho obvodu znižuje riziko zásahu elektrickým prúdom.

3) BEZPEČNOSŤ OSÔB

- a) **Buďte pozorní, dávajte pozor na to, čo robíte a k práci s elektrickým náradím pristupujte rozumne. Nepoužívajte elektrické náradie, keď ste unavení alebo keď ste pod vplyvom drog, alkoholu alebo liekov.** Chvíľa nepozornosti pri používaní náradia môže viesť k vážnym poraneniam.
- b) **Noste osobné ochranné pomôcky, ochranný odev a vždy majte nasadené ochranné okuliare.** Nosenie pracovného odevu a používanie ochranných pomôcok ako ochrannej dýchacej masky, bezpečnostných protišmykových topánok, prilby alebo chrániča sluchu, podľa druhu elektrického náradia, znižuje riziko poranenia.
- c) **Vyhýbajte sa neúmyselnému uvedeniu ručného elektrického náradia do činnosti. Pred zasunutím zástrčky do zásuvky a/alebo pred pripojením akumulátora, pred chytením alebo prenášaním ručného elektrického náradia sa vždy presvedčte sa, či je ručné elektrické náradie vypnuté.** Ak budete mať pri prenášaní ručného elektrického náradia prst na vypínači, alebo ak ručné elektrické náradie pripojíte na elektrickú sieť zapnutú, môže to mať za následok nehodu.
- d) **Skôr ako ručné elektrické náradie zapnete, odstráňte nastavovacie a montážne nástroje. Nástroj alebo kľúč, ktorý sa nachádza v pohyblivej časti náradia, môže spôsobiť poranenie.**
- e) **Neprečunujte sa. Zabezpečte si pevný postoj a**

neprestajne udržiavajte rovnováhu. Takto budete môcť ručné elektrické náradie v neočakávaných situáciách lepšie kontrolovať.

- f) **Pri práci nosite vhodný pracovný odev. Nenoste široké odevy a nemajte na sebe šperky. Vyvarujte sa toho, aby sa vaše vlasy a odev dostali do blízkosti pohyblivých častí.** Volný odev, dlhé vlasy alebo šperky môžu byť zachytené rotujúcimi časťami ručného elektrického náradia.
 - g) **Ak možno namontovať zariadenie na odsávanie alebo zachytávanie prachu, presvedčte sa, či je pripojené a správne používané.** Používanie odsávacieho zariadenia a zariadenia na zachytávanie prachu znižuje riziko ohrozenia zdravia prachom.
 - h) **Nepodliehajte falošnému pocitu istoty získanej z častého používania náradia a nekonajte v rozpore s princípmi bezpečného používania náradia.** Nepozorná práca môže v priebehu zlomkov sekundy viesť k ťažkému poraneniu.
- ## 4) STAROSTLIVÉ ZAOBCHÁDZANIE S ELEKTRICKÝM NÁRADÍM A JEHO POUŽÍVANIE
- a) **Náradie nepreťažujte. Pre svoju prácu používajte určené elektrické náradie.** Pomocou vhodného ručného elektrického náradia budete môcť v uvedenom rozsahu výkonu pracovať lepšie a bezpečnejšie.
 - b) **Nepoužívajte žiadne ručné elektrické náradie, ktoré má pokazený vypínač.** Ručné elektrické náradie, ktoré sa už nedá zapínať alebo vypínať, je nebezpečné a treba ho dať opraviť.
 - c) **Skôr ako začnete náradie nastavovať alebo predstavovať, vymieňať príslušenstvo alebo ako odložíte náradie, vždy vytiahnite koncovku sieťovej šnúry zo zásuvky a/alebo vyberte akumulátor, ak sa dá vybrať.** Toto preventívne opatrenie zabraňuje neúmyselnému spusteniu ručného elektrického náradia.
 - d) **Nepoužívané ručné elektrické náradie uschovávajte mimo dosahu detí. Nedopusťte, aby ručné elektrické náradie používali osoby, ktoré s ním nie sú dôkladne oboznámené, alebo ktoré si neprečítali tento Návod na používanie.** Ak ručné elektrické náradie používajú neskúsené osoby, stáva sa nebezpečným nástrojom.
 - e) **Ručné elektrické náradie a príslušenstvo starostlivo ošetrte. Skontrolujte, či pohyblivé súčiastky náradia bezchybne fungujú a neblokujú a či nie sú zlomené alebo poškodené niektoré súčiastky, ktoré by mohli negatívne ovplyvniť fungovanie ručného elektrického náradia. Pred použitím ručného elektrického náradia dajte poškodené súčiastky opraviť.** Nejednen úraz bol spôsobený zle udržiavaným náradím.
 - f) **Používané nástroje udržiavajte ostré a čisté.** Starostlivo ošetrované nástroje s ostrými reznými hranami sa menej často zablokujú a ich vedenie je podstatne ľahšie.
 - g) **Používajte ručné elektrické náradie, príslušenstvo, pracovné nástroje a pod. podľa týchto pokynov. Zohľadnite pritom konkrétne pracovné podmienky a činnosť, ktorú máte vykonať.** Používanie ručného elektrického náradia na iné ako určené účely môže viesť k nebezpečným situáciám.
 - h) **Rukoväť a úchopové povrchy udržiavajte suché, čisté a bez oleja alebo mazacieho tuku.** Šmyklavé rukoväti a úchopové povrchy neumožňujú bezpečnú manipuláciu

a ovládanie náradia v neočakávaných situáciách.

5) SERVIS

- a) **Ručné elektrické náradie zverte do opravy len kvalifikovanému personálu a používajte len originálne náhradné súčiastky.** Tým sa zabezpečí zachovanie bezpečnosti ručného elektrického náradia.

BEZPEČNOSTNÉ POKYNY TÝKAJÚCE SA MIXÉROV

- a) **Náradie držte za určené rukoväti oboma rukami.** Strata kontroly môže spôsobiť zranenie.
- b) **Pri miešaní horľavých materiálov zaistite dostatočné vetranie, aby nevzniklo nebezpečné prostredie.** Vznikajúce výpary môžu byť vdychnuté alebo zapálené iskrami vytváranými elektrickým náradím.
- c) **Nemiešajte jedlo.** Elektrické náradie a príslušenstvo nie sú určené na spracúvanie jedla.
- d) **Do pracovnej oblasti neumiestňujte kábel.** Mohol by sa zamotať do lopatky mixéra.
- e) **Uistite sa, že miešacia nádoba je v stabilnej a bezpečnej polohe.** Nesprávne zabezpečená nádoba sa môže neočakávane pohybovať.
- f) **Zaistite, aby na kryt elektrického náradia nefrkali žiadne kvapaliny.** Ak do elektrického náradia vnikne kvapalina, môže ho poškodiť a spôsobiť zásah elektrickým prúdom.
- g) **Dodržiavajte pokyny a dbajte na upozornenia pre daný materiál určený na miešanie.** Materiál určený na miešanie môže byť škodlivý.
- h) **Ak elektrické náradie spadne do materiálu určeného na miešanie, okamžite ho odpojte a nechajte ho skontrolovať kvalifikovaným opravárom.** Ak budete siahť do nádoby, keď je náradie ešte stále zapojené, môžete dostať zásah elektrickým prúdom.
- i) **Do miešacej nádoby počas miešania nedávajte ruky ani nevkładajte žiadne iné predmety.** Kontakt s lopatkou mixéra môže spôsobiť vážne zranenie.
- j) **Náradie zapínajte a vypínajte iba v miešacej nádobe.** Lopatka mixéra by sa mohla ohnúť alebo otáčať nekontrolovaným spôsobom.

ĎALŠIE VÝSTRAŽNÉ UPOZORNENIA

- Vždy skontrolujte či je napájacie napätie rovnaké ako napätie uvedené na štítku nástroja
- Nikdy nepoužívajte náradie s poškodeným káblom; kábel sa musí vymeniť za špeciálne pripravený kábel dostupný prostredníctvom servisného strediska.
- Náradie nikdy nepoužívajte v alebo v blízkosti výbušného prostredia
- Nikdy nemiešajte horľavé látky
- Používajte ochranné rukavice, protiprachovú masku, priliehavý oblek a pevné topánky
- Hlasitosť zapnutého prístroja môže byť viac aké 85 dB(A); **chráňte si uši ochrannými kryciami prostriedkami**
- SKIL zabezpečí hladký chod nástroja len ak sa používa pôvodné príslušenstvo
- **Nepoužívajte nadstavce na lopatku mixéra**
- **Pri nastavovaní alebo výmene príslušenstva vždy vytiahnite prívodný kábel zo zásuvky**

VYSVETLENIE SYMBOLOV NA NÁSTROJI

- ③ Pred použitím si prečítajte návod na obsluhu
- ④ Dvojité izolácia (nevyžaduje sa uzemňovací kábel)
- ⑤ Nevhadzujte elektrické náradie a batérie do komunálneho odpadu

POUŽITIE

- Zapínanie/vypínanie ⑥
- ! **uvedomte si veľkosť sil vyvolaných vzpričením; držte nástroj pevne oboma rukami a stojte bezpečne**
- Regulácia rýchlosti na hladké zapnutie ⑦
- Ochranný rám ⑧
 - pre ochranu náradia
 - pre vedenie náradia
 - pre odloženie náradia jednoduchým spôsobom
 - ochranný rám C namontujte pred prvým použitím náradia
- ! **náradie nikdy nepoužívajte bez ochranného rámu**
- Prevádzka nástroja
- ! **dajte pozor aby bol nástroj vypnutý**
- miešaciu lopatku D namontujte na hriadeľ E podľa obrázku ⑨
 - zapojte prívodný kábel zo zdroja energie
 - presvedčte sa, že miešacia nádoba je bezpečne postavená na podlahe
 - ponorte miešaciu lopatku do zmesi **pred samotným zapnutím náradia**, a potom postupne zvyšujte miešaciu rýchlosť vyvíjaním vyššieho tlaku na spínač (tak, aby zmes nestriekala dookola a tak, aby nedošlo k preťaženiu náradia)
- ! **náradie vypnite iba vtedy, ak je miešacia lopatka v miešacej nádobe**
- Držanie a vedenie nástroja ⑩
- ! **počas práce vždy držte nástroj v oblasti sivého držadla(iel)**
- ! **vždy držte nástroj pevne oboma rukami**


ÚDRŽBA / SERVIS

- Tento nástroj nie je vhodný pre profesionálne použitie
- Nástroj a sieťovú šnúru udržiavajte stále čistou (zvlášť vetracie štrbiny)
 - po miešaní vždy vyčistite mixér a funkčné diely
 - nástroj vyčistite suchou, jemnou tkaninou (nepoužívajte čistiace prostriedky ani rozpúšťadlá)
 - vetracie otvory pravidelne čistite F ② pomocou kefy alebo stlačeného vzduchu
- ! **pred čistením odpojte z elektrickej siete**
- Ak by nástroj napriek starostlivej výrobe a kontrole predsa len prestal niekedy fungovať, treba dať opravu vykonať autorizovanej servisnej opravovni elektrického náradia SKIL
 - pošlite nástroj **bez rozmontovania** spolu s dôkazom o kúpe; vášmu dilerovi alebo do najbližšieho servisného strediska SKIL (zoznam adries servisných stredísk a servisný diagram nástroja sú uvedené na www.skil.com)
- Upozorňujeme, že poškodenie spôsobené preťažením alebo nesprávnym zaobchádzaním s nástrojom bude zo záruky vylúčené (záručné podmienky spoločnosti SKIL nájdete na stránke www.skil.com alebo si ich vyžiadajte u svojho predajcu)

ŽIVOTNÉ PROSTREDIE

- **Elektrické náradie, batérie, príslušenstvo a balenia nevyhadzujte do komunálneho odpadu** (len pre štáty EÚ)
 - podľa európskej smernice 2012/19/EG o nakladaní s použitými elektrickými a elektronickými zariadeniami

a zodpovedajúcich ustanovení právnych predpisov jednotlivých krajín sa použité elektrické náradie musí zbierať oddelene od ostatného odpadu a podrobiť ekologickej šetrnej recyklácii

- pripomenie vám to symbol , keď ju bude treba likvidovať

HLUK / VIBRÁCIE


- Merané podľa EN 62841 je úroveň akustického tlaku tohto nástroja 83 dB(A) a úroveň akustického výkonu je 94 dB(A) (štandardná odchýlka: 3 dB), a vibrácie sú 3,3 m/s² (súčet vektorov troch smerov; nepresnosť K = 1,5 m/s²)
 - Hladina emisií od vibrácií bola nameraná v súlade s normalizovaným testom uvedeným v norme EN 62841; môže sa používať na vzájomné porovnávanie náradí a na predbežné posúdenie vystavenia účinkom vibrácií pri používaní náradia pre uvedené aplikácie
 - používanie náradia na rôzne aplikácie, alebo v spojení s rôznymi alebo nedostatočne udržiavanými doplnkami môže značne **zvýšiť** úroveň vystavenia
 - časové doby počas ktorých je je náradie vypnuté alebo počas ktorých náradie beží ale v skutočnosti nevykonáva prácu môžu značne **znižit'** úroveň vystavenia
- ! chráňte sa pred účinkami vibrácií tak, že budete náradie a jeho príslušenstvo správne udržiavať, tak že nebudete pracovať so studenými rukami a tak že si svoje pracovné postupy správne zorganizujete**

HR

Mikser

1608

UVOD

- Elektronski mikser namijenjen za lako i jednostavno miješanje materijala
- Raznolike lopatice za miješanje znače da se može miješati čitav niz materijala (različite mješavine cementa, industrijska ljepila, boje, smjese za ravnanje, suhom ili završnom žbukom, itd.)
- Preporučena količina za miješanje ovisi o vrsti i stanju materijala za miješanje te o vrsti upotrijebljene lopatice
- Ne pokušavajte miješati više od 40 litara materijala odjednom
- Ovaj uređaj nije namijenjen profesionalnoj upotrebi
- Pažljivo pročitajte i sačuvajte ove upute za rukovanje 


TEHNIČKI PODACI

DIJELOVI ALATA

- A** Prekidač za uključivanje/isključivanje i za kontrolu brzine
- B** Gumb za blokiranje prekidača
- C** Zaštitni okvir
- D** Ručica za miješanje
- E** Vreteno
- F** Otvori za strujanje zraka
- G** Ključ (2)
- H** Šesterokutni ključ

SIGURNOST

OPĆA SIGURNOSNA UPOZORENJA ZA ELEKTRIČNE ALATE

 **UPOZORENJE** Pročitajte sva sigurnosna upozorenja, upute, ilustracije i specifikacije isporučene s ovim električnim alatom. Zbog nepridržavanja svih uputa koje su navedene u nastavku može doći do nastanka strujnog udara, požara i/ili teške ozljede.

Sva upozorenja i upute sačuvajte kao referencu za buduće upotrebe.

U daljnjem tekstu korišten pojam "električni alat" odnosi se na električne alate s priključkom na električnu mrežu (s mrežnim kablom) i na električne alate s napajanjem iz aku baterije (bez mrežnog kabela).

1) SIGURNOST NA RADNOM MJESTU

- Vaše radno područje održavajte čisto i uredno.** Nered ili neosvijetljeno radno područje mogu doći do nezgoda.
- S uređajem ne radite u okolini ugroženoj eksplozijom, u kojoj se nalaze zapaljive tekućine, plinovi ili prašina.** Električni alati proizvode iskre koje mogu zapaliti prašinu ili pare.
- Djecu i ostale osobe držite dalje tijekom korištenja električnog alata.** Ako bi skrenuli pozornost sa posla mogli bi izgubiti kontrolu nad uređajem.

2) ELEKTRIČNA SIGURNOST

- Priključni utikač uređaja treba odgovarati utičnici. Na utikaču se ni u kojem slučaju ne smiju izvoditi izmjene. Ne koristite adapterske utikače zajedno sa uređajima koji su zaštićeni uzemljenjem.** Originalni utikač i odgovarajuće utičnice smanjuju opasnost od električnog udara.
 - Izbjegavajte dodir tijela s uzemljenim površinama kao što su cijevi, centralno grijanje, štednjaci i hladnjaci.** Postoji povećana opasnost od električnog udara ako je vaše tijelo uzemljeno.
 - Držite uređaj dalje od kiše ili vlage.** Prodiranje vode u električni uređaj povećava opasnost od električnog udara.
 - Priključni kabel ne koristite za nošenje, vješanje ili za izvlačenje utikača iz utičnice. Držite kabel dalje od izvora topline, ulja, oštih rubova ili pomičnih dijelova uređaja.** Oštećen ili usukan kabel povećava opasnost od električnog udara.
 - Ako s električnim uređajem radite na otvorenom, koristite samo produžni kabel odobren za uporabu na otvorenom.** Primjena produžnog kabela prikladnog za uporabu na otvorenom smanjuje opasnost od električnog udara.
 - Ako se ne može izbjeći uporaba električnog alata u vlažnoj okolini, upotrijebite sigurnosna sklopka za propuštanje u zemlju.** Upotrebom sigurnosne sklopke za propuštanje u zemlju smanjuje se opasnost od električnog udara.
- #### 3) SIGURNOST LJUDI
- Budite oprezni, pazite što činite i postupajte razumno kod rada s električnim alatom. Ne koristite uređaj ako ste umorni ili pod utjecajem opojnih sredstava, alkohola ili lijekova.** Trenutak nepažnje kod uporabe uređaja može doći do ozbiljnih ozljeda.

- b) **Nosite sredstva osobne zaštite i uvijek zaštitne naočale.** Nošenje sredstava osobne zaštite, kao što je zaštitna maska, sigurnosne cipele koje ne klize, zaštitne rukavice ili štitnika za sluh, ovisno od vrste i primjene električnog alata, smanjuje opasnost od nezgoda.
- c) **Izbjegavajte nehotično puštanje u rad. Prije nego što ćete utaknuti utikač u utičnicu i/ili staviti akumulator, provjerite je li električni alat isključen.** Ako kod nošenja električnog alata imate prst na prekidaču ili se uključen uređaj priključi na električno napajanje, to može dovesti do nezgoda.
- d) **Prije nego što uređaj uključite, uklonite alate za podešavanje ili vijčane ključeve.** Alat ili ključ koji se nalazi u rotirajućem dijelu uređaja može doći do nezgoda.
- e) **Ne precjenjujte svoje sposobnosti. Zauzmite siguran i stabilan položaj tijela i držite u svakom trenutku ravnotežu.** Na taj način možete uređaj bolje kontrolirati u neočekivanim situacijama.
- f) **Nosite prikladnu odjeću. Ne nosite široku odjeću ili nakit. Kosu i odjeću držite dalje od pomičnih dijelova.** Široku odjeću, dugu kosu ili nakit mogu zahvatiti pomični dijelovi.
- g) **Ako se mogu montirati naprave za usisavanje i hvatanje prašine, provjerite da li su iste priključene i da li se pravilno koriste.** Primjena naprave za usisavanje može smanjiti ugroženost od prašine.
- h) **Nemojte postati previše bezbrižni i zanemariti sigurnosne upute zato što alat često upotrebljavate i smatrate da ste ga dobro poznali.** Samo jedan trenutak nepažnje dovoljan je za nastanak ozbiljnih ozljeda.
- 4) BRIŽLJIVA UPORABA ELEKTRIČNIH ALATA**
- a) **Ne preopterećujte uređaj. Koristite za vaše radove za to predviđen električni alat.** S odgovarajućim električnim alatom radit ćete bolje i sigurnije, u navedenom području učinka.
- b) **Ne koristite električni alat čiji je prekidač neispravan.** Električni alat koji se više ne može uključiti ili isključiti, opasan je i treba se popraviti.
- c) **Alat prije podešavanja, izmjene pribora i odlaganja isključite iz izvora napajanja i/ili izvadite komplet baterije, ako se vadi iz uređaja.** Ovim mjerama opreza izbjeći će se nehotično uključivanje električnog alata.
- d) **Nekorištene električne alate spremite izvan dosega djece. Ne dopustite da uređaj koriste osobe koje s njim nisu upoznate ili koje nisu pročitale upute za uporabu.** Električni alati su opasni ako ih koriste neiskusne osobe.
- e) **Redovno održavajte električne alate i pribor. Kontrolirajte da li pomični dijelovi uređaja besprijekorno rade i da nisu zaglavljani, te da li su dijelovi polomljeni ili tako oštećeni da negativno djeluju na funkciju uređaja. Popravite oštećene dijelove prije uporabe uređaja.** Mnoge nezgode imaju svoj uzrok u loše održavanim uređajima.
- f) **Rezne alate održavajte ostrim i čistim.** Pažljivo održavani rezni alati s ostrim oštricama neće se zaglaviti i lakši su za vođenje.
- g) **Koristite električne alate, pribor, radne alate, itd., prema navedenim uputama. Pri tome uzmite u obzir radne uvjete i radove koje se izvode.** Uporaba električnih alata za neke druge primjene različite od predviđenih, može doći do opasnih situacija.

- h) **Drške i zahvatne površine održavajte suhima, čistima i pazite da na njih ne dospiju ulje ili mast.** Skliske drške i zahvatne površine onemogućuju sigurno rukovanje i alat se teško kontrolira u neočekivanim situacijama.
- 5) SERVISIRANJE**
- a) **Popravlak uređaja prepustite samo kvalificiranom stručnom osoblju i samo s originalnim rezervnim dijelovima.** Na taj će se način postići održanje stalne sigurnosti uređaja.

SIGURNOSNE UPUTE ZA KORISNIKE MJEŠALICE

- a) **Držite alat objema rukama, za tomu namijenjene drške.** Ako izgubite nadzor, možete se ozlijediti.
- b) **Osigurajte dostatnu ventilaciju tijekom miješanja zapaljivih materijala kako bi se izbjeglo stvaranje opasne atmosfere.** Pare koje se razvijaju mogu se udahnuti ili zapaliti iskrama koje električni alat proizvodi.
- c) **Nemojte miješati hranu.** Električni alati i njihovi dodatci nisu namijenjeni obradi hrane.
- d) **Držite kabel podalje od radnog područja.** Kabel se može zapetljati lopaticom za miješanje.
- e) **Pobrinite se da je posuda za miješanje postavljena u čvrst i siguran položaj.** Posuda koja nije propisno sigurno postavljena može se neočekivano pomaknuti.
- f) **Pobrinite se da ne dođe ni do kakvog prskanja tekućine po kućištu električnog alata.** Tekućinom koja je prodrla u električni alat može se uzrokovati oštećenje te dovesti do strujnog udara.
- g) **Slijedite upute i upozorenja u vezi s materijalom koji se namjerava miješati.** Materijal koji se namjerava miješati može biti štetan.
- h) **Ako električni alat upadne u materijal koji se namjerava miješati, električni alat smjesta isključite iz napajanja i dajte ga na provjeru osobi obučenoj za poslove popravaka.** Posezanje u posudu dok je alat još uvijek uključen može dovesti do strujnog udara.
- i) **Tijekom miješanje, ne posežite rukama u posudu za miješanje i u posudu ne uvodite nikakav drugi predmet.** Pri doticaju s lopaticom za miješanje može doći do ozbiljne tjelesne ozljede.
- j) **Pokrećite i isključite alat samo u posudi za miješanje.** Lopatica za miješanje može se savinuti ili zavrtjeti na nekontroliran način.

DODATNE UPUTE ZA SIGURNOST

- Uvijek provjerite je li napon napajanja isti kao onaj naveden na tipskoj pločici uređaja
- Nikada ne upotrebljavajte alat ako je kabel oštećen; trebate ga zamijeniti posebno pripremljenim kabelom, pripremljenim u servisnoj službi.
- Uređaj nikada ne koristite unutar ili blizu potencijalno eksplozivnog područja
- Nikada ne miješajte zapaljive supstance
- Nosite zaštitne rukavice, masku za prašinu, tijesno pripijenu odjeću i čvrste cipele
- Razina buke kod rada može premašiti 85 dB(A); **nositi štitnike za sluh**
- SKIL može osigurati besprijekoran rad uređaja samo ako se koristi originalni pribor
- **Ne upotrebljavajte produžetke lopatice za miješanje**
- **Prije svih radova održavanja, podešavanja ili izmjene alata i pribora treba izvući utikač iz mrežne utičnice**

POJAŠNJENJE SIMBOLA NA UREĐAJU

- ③ Prije upotrebe pročitajte korisnički priručnik
- ④ Dvostruka izolacija (dozemna žica nije potrebna)
- ⑤ Ne bacajte električne alate i baterij u kućni otpad

POSLUŽIVANJE

- Uključivanje/isključivanje ⑥
 - ! **treba obratiti pozornost na nastale sile kod blokiranja alata; alat čvrsto držati s obje ruke i zauzeti siguran i stabilan položaj tijela**
- Reguliranje broja okretaja za meko pokretanje ⑦
- Zaštitni okvir ⑧
 - za zaštitu uređaja
 - za usmjeravanje uređaja
 - za jednostavno odstranjivanje uređaja
 - zaštitni okvir C namjestite prije prvog korištenja uređaja
 - ! **uređaj nikada ne koristite bez zaštitnog okvira**
- Posluživanje uređaja
 - ! **provjerite je li alat isključen**
 - ručicu za miješanje namjestite D na osovinu E kako je prikazano ⑨
 - mrežni utikač priključiti na utičnicu
 - pobrinite se da je posuda za miješanje sigurno postavljena na podu
 - umočite ručicu za miješanje u materijal **prije uključivanja uređaja**, pa zatim postupno povećavajte brzinu miješanja sve jačim pritiskom na sklopku (tako da se mješavina ne proljeva i da se uređaj ne preopteretiti)
 - ! **uređaj isključite samo ako je ručica za miješanje i dalje u posudi s mješavinom**
- Držanje i vođenje uređaja ⑩
 - ! **alat kod primjene, držati samo na sivo označenim područjima**
 - ! **alat uvijek čvrsto držite objema rukama**

ODRŽAVANJE / SERVISIRANJE

- Ovaj uređaj nije namijenjen profesionalnoj upotrebi
- Održavajte čistim uređaj i kabel (osobito otvore za hlađenje)
 - uvijek čistite mikser i radne dijelove nakon miješanja
 - alat čistite suhom, mekanom krpicom (ne koristite sredstva ili otopine za čišćenje)
 - ventilacijske otvore F ② čistite redovno uz pomoć četke ili komprimiranog zraka
 - ! **prije čišćenja treba izvući mrežni utikač**
- Ako bi uređaj unatoč brižljivih postupaka izrade i ispitivanja ipak prestao raditi, popravak treba prepustiti ovlaštenom servisu za SKIL električne alate
 - uređaj treba **nerastavljeno** predati, zajedno s računom o kupnji u najbližu SKIL ugovornu servisnu radionicu (popise servisa, kao i oznake rezervnih dijelova uređaja možete naći na adresi www.skil.com)
- Imajte na umu kako jamstvo ne obuhvaća štete nastale zbog preopterećenja ili nepravilnog rukovanja alatom (za uvjete iz SKIL jamstva, posjetite www.skil.com ili upitajte svog prodavača)

ZAŠTITA OKOLIŠA

- **Električne alate, baterij, pribor i ambalažu ne**

bacajte u kućni otpad (samo za EU-države)

- prema Europskoj direktivi 2012/19/EG o staroj električnoj i elektroničkoj opremi i njenoj primjeni u skladu sa nacionalnim zakonom, istrošeni električni alati moraju se sakupljati odvojeno i odvesti u posebne pogone za reciklažu
- na to podsjeća simbol ⑤ kada se javi potreba za odlaganjem

BUKA / VIBRACIJA

- Mjereno prema EN 62841 prag zvučnog tlaka ovog električnog alata iznosi 83 dB(A) a jakost zvuka 94 dB(A) (standardna devijacija: 3 dB), a vibracija 3,3 m/s² (vektorski zbroj u tri smjera; nesigurnost K = 1,5 m/s²)
- Razina emitiranja vibracija izmjerena je sukladno normiranom testu danom u EN 62841; ona se može koristiti za usporedbu jedne alatke s drugom, te preliminarnu procjenu izloženosti vibracijama pri uporabi alatke za navedene namjene
 - uporaba ove alatke za druge namjene ili s drugim ili slabo održavanim nastavcima, može u značajnoj mjeri **uvećati** razinu izloženosti
 - vrijeme tokom kojega je alatka isključena, ili je uključena ali se njome ne radi, može značajno **umanjiti** razinu izloženosti
- ! **zaštitite se od posljedica vibracija održavanjem alatke i njezinih nastavaka, održavanjem Vaših ruku toplima, te organiziranjem Vaših obrazaca rada**

SRB

Mikser

1608

UPUTSTVO

- Elektronski mikser je namenjen za lako i jednostavno mešanje materijala
- Pomoću različitih dodataka za mešanje mogu se mešati različiti materijali (razne vrste cementnih smeša, građevinski lepkovi, boje, glet mase, završni i suvi malteri, itd.)
- Preporučena količina za mešanje zavisi od tipa i stanja materijala koji treba mešati te od tipa lopate koja se koristi
- Ne mešajte više od 40 litara materijala istovremeno
- Ovaj alat nije namenjen za profesionalnu upotrebu
- Pažljivo pročitajte i sačuvajte ova uputstva za rukovanje ③

TEHNIČKI PODACI ①

ELEMENTI ALATA ②

- A** Prekidač za uključivanje/isključivanje i kontrolu brzine
- B** Dugme za ućvršćivanje prekidača
- C** Zaštitni okvir
- D** Dodatak za mešanje
- E** Vreteno
- F** Prorezi za hlađenje
- G** Ključ (2)
- H** Imbus ključa

SIGURNOST

OPŠTA SIGURNOSNA UPOZORENJA ZA ELEKTRIČNI ALAT

⚠ UPOZORENJE Pročitajte sva bezbednosna upozorenja, uputstva, ilustracije i specifikacije priložene uz ovaj električni alat. Ukoliko se ne slede sva uputstva navedena u nastavku može doći do strujnog udara, požara i/ili ozbiljne povrede.

Sačuvajte sva upozorenja i uputstva za buduću upotrebu.

Pojam upotrebljen u upozorenjima "električni alat" odnosi se na električne alate sa radom na mreži (sa mrežnim kablom) i na električne alate sa radom na akumulator (bez mrežnog kabla).

1) SIGURNOST NA RADNOM MESTU

- Držite Vaše područje rada čisto i pospremljeno.** Nered ili neosvetljena radna područja mogu voditi nesrećama.
- Ne koristite električni alat tamo gde postoji opasnost od eksplozije kao npr. u prisustvu zapaljivih tečnosti, gasova ili prašine.** Električni alati proizvode varnice, koje mogu zapaliti prašinu ili isparenja.
- Za vreme korišćenja električnog alata držite podalje decu i druge osobe.** Kod skretanja možete izgubiti kontrolu nad alatom.

2) ELEKTRIČNA SIGURNOST

- Utičać električnog alata mora odgovarati utičnici.** Nikada nemojte modifikovati utičać. Ne upotrebljavajte adaptere utičača sa uzemljenim električnim alatom. Nemodifikovani utičači i odgovarajuće utičnice smanjuju rizik od električnog udara.
- Izbegavajte telesni kontakt sa uzemljenim gornjim površinama, kao što su cevi, grejanja, šporeti i rashladni ormani.** Postoji povećani rizik od električnog udara, ako je Vaše telo uzemljeno.
- Ne izlažite električni alat kiši ili vlažnim uslovima.** Prodor vode u električni alat povećava rizik od električnog udara.
- Ne zloupotrebljavajte kabl.** Nikada nemojte koristiti kabl za nošenje i vučenje električnog alata ili za izvlačenje iz utičnice. Držite kabl dalje od vreline, ulja, oštrih ivica ili pokretnih delova. Oštećeni ili umršeni kablovi povećavaju rizik električnog udara.
- Ako sa nekim električnim alatom radite u prirodi, upotrebljavajte samo produžne kablove koji su dozvoljeni za spoljno područje.** Upotreba produžnog kabla pogodnog za spoljno područje smanjuje rizik od električnog udara.
- Ako rad električnog alata ne može da se izbegne u vlažnoj okolini, koristite prekidač strujne zaštite pri kvaru.** Upotreba prekidača strujne zaštite pri kvaru smanjuje rizik od električnog udara.

3) SIGURNOST OSOBA

- Budite oprezni, pazite na to šta radite i razumno rukujte Vašim električnim alatom.** Ne koristite električni alat dok ste umorni ili pod uticajem narkotika, alkohola ili lekova. Momenat nepažnje kod upotrebe električnog alata može rezultirati ozbiljnim povredama.

- Nosite ličnu zaštitnu opremu i uvek zaštitne naočare.** Nošenje lične zaštitne opreme, kao maske za prašinu, sigurnosne cipele koje ne klizaju, zaštitni šlem ili zaštitu za sluh, zavisno od vrste i upotrebe električnog alata, smanjujete rizik od povreda.
 - Sprečite nenamerno puštanje u rad. Pre priključivanja na struju i/ili na akumulatorsku bateriju, podizanja ili nošenja alata uverite se da je prekidač isključen.** Nošenje električnog alata sa prstom na prekidaču ili priključivanje na struju uključenog električnog alata vodi do nesreće.
 - Uklonite bilo kakve ključeve za podešavanje ili ključeve za zavrtanje, pre nego što uključite električni alat.** Ostavljanje ključa za zavrtneve ili ključa prikačene na rotirajući deo električnog alata može rezultirati ličnom povredom.
 - Ne zauzimajte neadekvatan položaj. Sve vreme držite ravnotežu i pravilan položaj nogu.** Ovo omogućava bolje upravljanje električnim alatom u neočekivanim situacijama.
 - Nosite pogodno odelo. Ne nosite široko odelo ili nakit. Držite kosu i odeću dalje od pokretnih delova.** Opušteno odelo, nakit ili duža kosa mogu biti zahvaćeni od rotirajućih delova.
 - Ako se mogu montirati uredjaji za usisavanje prašine i uredjaji za hvatanje prašine, uverite se da li su priključeni i ispravno koriste.** Upotreba usisavanja prašine može smanjiti opasnosti od prašine.
 - Ne dozvolite da pouzdanje koje ste stekli čestom upotrebom alata utiče na to da postanete neoprezni i da zanemarite sigurnosne principe za upotrebu alata.** Neoprezno delovanje može prouzrokovati teške povrede u deliću sekunde.
- #### 4) BRIŽLJIVO OPHODNENJE I KORIŠĆENJE ELEKTRIČNIH ALATA
- Ne preopterećujte električni alat. Koristite električni alat koji odgovara Vašoj primeni.** Sa odgovarajućim električnim alatom radite bolje i sigurnije tempom za koji je projektovan.
 - Ne upotrebljavajte električni alat, čiji je prekidač u kvaru.** Električni alat koji više ne može da se uključi ili isključi je opasan i mora da se popravi.
 - Izvučite utičać iz utičnice i/ili izvadite akumulatorsku bateriju, ukoliko je to moguće, iz električnog alata pre nego što izvršite bilo kakva podešavanja, promenu pribora ili pre nego što uskladištite električni alat.** Takve preventivne sigurnosne mere smanjuju rizik od slučajnog pokretanja električnog alata.
 - Čuvajte električne alate koje ne koristite izvan domašaja dece i ne dozvoljavajte osobama, koje nisu upoznate sa ovim električnim alatom ili sa ovim uputstvima, da rukuju električnim alatom.** U rukama neobučenih korisnika električni alati postaju opasni.
 - Održavajte električni alat i pribore. Proverite da li su pokretni delovi u ravni i da li negde zapinju, da nije došlo do lomljenja delova i svako drugo stanje koje može uticati na rad električnog alata. Ukoliko je oštećen, odnesite električni alat na popravku pre korišćenja.** Mnoge nesreće su prouzrokovane lošim održavanjem električnih alata.
 - Držite alate za sečenje oštre i čiste.** Brižljivo negovani alati za sečenje sa oštrim sečivima manje slepljuju i lakše se vode.

- g) **Upotrebljavajte električne alate, pribor, alate koji se umeću itd. prema ovim uputstvima. Obratite pažnju pritom na uputstva za rad i posao koji treba izvesti.** Upotreba električnih alata za druge od propisanih namena može voditi opasnim situacijama.
- h) **Održavajte drške i prihvatne površine suvim, čistim i bez ostataka ulja ili masnoće.** Klizave drške ili prihvatne površine ne omogućavaju bezbedno rukovanje i upravljanje alatom u neočekivanim situacijama.
- 5) **SERVISIRANJE**
- a) **Vaš električni alat dajte na servisiranje samo kvalifikovanom licu za popravku, koristeći pritom samo identične rezervne delove.** Ovo će osigurati očuvanje bezbednosti električnog alata.

SIGURNOSNA UPUTSTVA ZA MIKSERE

- a) **Držite alat sa obe ruke na predviđenim drškama.** Gubitak kontrole može dovesti do telesne povrede.
- b) **Osigurajte dovoljnu ventilaciju tokom mešanja zapaljivih materijala da bi se izbegla zapaljiva atmosfera.** Razvijena para može da se udahne ili zapali varnicama koje emituje električni alat.
- c) **Ne mešajte hranu.** Električni alati i njihova dodatna oprema nisu namenjeni za obradu hrane.
- d) **Držite kabl dalje od radnog prostora.** Kabl može da se zapetlja u dodatak mešalice za mešanje.
- e) **Proverite da li je posuda za mešanje postavljena čvrsto i bezbedno.** Posuda koja nije pravilno pričvršćena može iznenada da se pomeri.
- f) **Pazite da nikakva tečnost ne prska po kućištu električnog alata.** Tečnost koja je prodrla u električni alat može da nanese štetu i dovede do strujnog udara.
- g) **Sledite uputstva i upozorenja za materijal koji treba da se izmeša.** Materijal koji treba da se izmeša može da bude štetan.
- h) **Ako električni alat padne u materijal koji treba da se izmeša, odmah isključite alat i kvalifikovano lice za servisiranje mora da ga proveri.** Može doći do strujnog udara ukoliko se posegne u kofu sa alatom koji je još uvek uključen.
- i) **Nemojte posezati rukama sa posudom za mešanje ili ubacivati bilo koji drugi predmet u nju tokom mešanja.** Kontakt sa dodatkom mešalice za mešanje može dovesti do ozbiljne telesne povrede.
- j) **Pokrenite i zaustavite alat samo u posudi za mešanje.** Dodatak mešalice za mešanje može da se savije ili vrti na nekontrolisan način.

DODATNA SIGURNOSNA UPUTSTVA

- Uvek se уверite da je napon struje isti kao i napon naveden na pločici sa nazivom alatu
- Nikada nemojte koristiti alat kada je kabl oštećen; on mora da se zameni posebnim kablom koji je dostupan u servisnoj organizaciji.
- Nikada ne koristite alat u ili u blizini eksplozivne atmosfere
- Nikada ne mešajte zapaljive supstance
- Nosite zaštitne rukavice, zaštitnu masku, odeću pripijenu uz telo i čvrstu obuću
- Buka koju alat proizvodi tokom rada može da premaši 85 dB(A); **nosite zaštitu za sluh**
- SKIL može priznati garanciju samo ukoliko je korišćen originalni pribor

- **Nemojte koristiti nastavke dodatka mešalice za mešanje**
- **Obavezno iskopčajte alat iz električne utičnice pre nego što izvršite bilo kakva podešavanja ili zamenu pribora**

OBJAŠNJENJE SIMBOLA NA ALATU

- ③ Pročitajte uputstvo za korišćenje pre prve upotrebe
- ④ Dvostruka izolacija (nije potrebna žica za uzemljenje)
- ⑤ Ne odlažite električne alate i baterije u kućne otpatke


UPUTSTVO ZA KORIŠĆENJE

- Uključivanje/isključivanje ⑥
- ! **obratite pažnju na nastale sile pri alatu tokom blokade; alat treba držati sa obe ruke i zauzeti siguran stav**
- Zakočenje prekidača za lagani start ⑦
- Zaštitni okvir ⑧
 - za zaštitu alata
 - za vođenje alata
 - za jednostavno odlaganje alata
 - postavite zaštitni okvir C pre prve upotrebe alata
 - ! **koristite alat bez zaštitnog okvira**
- Rukovanje alatom
 - ! **proverite da li je alatka isključena**
 - montirajte dodatak za mešanje D na vreteno E kao što je prikazano na slici ⑨
 - uključite utikač u izvor napajanja
 - obezbedite da posuda za mešanje bude stabilno postavljena na podlogu
 - uronite dodatak za mešanje u materijal koji se meša **pre uključivanja alata**, a zatim postepeno povećavajte brzinu mešanja jačim pritiskanjem okidača (da materijal ne bi prskao naokolo i da se alat ne bi preoptereto)
 - ! **isključite alat samo kada je dodatak za mešanje u posudi za mešanje**
- Držanje i upravljanje alata ⑩
 - ! **dok radite, uvek držite alat za mesto(a) koje(a) su označena sivom bojom**
 - ! **alat uvek čvrsto držite sa obe ruke**

ODRŽAVANJE / SERVIS

- Ovaj alat nije namenjen za profesionalnu upotrebu
- Alat i kabl uvek održavajte čistim (posebno otvore za hlađenje)
 - nakon mešanja uvek očistite mikser i funkcionalne delove
 - očistite aparat suvom, mekom krpom (nemojte koristiti hemikalije ili rastvore za čišćenje)
 - čistite ventilacione otvore F ② redovno pomoću četke ili komprimovanog vazduha
 - ! **pre čišćenja iskopčajte kabl iz utičnice**
- Ako bi alat i pored brižljivog postupka izrade i kontrole nekada otkazao, popravku mora vršiti neki autorizovani servis za SKIL-električne alate
 - pošaljite **nerastavljeni** alat zajedno sa potvrdom o kupovini vašem nabavljaču ili najbližem SKIL servisu (adrese i oznake rezervnih delova možete naći na www.skil.com)
- Imajte na umu da u slučaju oštećenja nastalih usled preopterćenja ili nepravilnog rukovanja alatom garancija neće važiti (za SKIL garantne uslove posetite www.skil.com ili pitajte svog prodavca)

ZAŠTITA OKOLINE

- **Električne alate, baterije, pribora i ambalaže ne odlažite u kućne odpadke** (samo za EU-države)
 - prema Evropskoj direktivi 2012/19/EG o staroj električnoj i elektronskoj opremi i njeni upotrebi u skladu sa nacionalnim pravom, električni alati koji su istrošeni moraju biti sakupljeni odvojeno i dostavljeni pogonu za reciklažu
 - simbol  će vas podsetiti na to

BUKA / VIBRACIJE


- Mereno u skladu sa EN 62841 nivo pritiska zvuka ovog alata iznosi 83 dB(A) a jačina zvuka 94 dB(A) (normalno odstupanje: 3 dB), a vibracija 3,3 m/s² (zbir vektora tri pravca; nesigurnost K = 1,5 m/s²)
 - Nivo emisije vibracija izmeren je u skladu sa standardizovanim testom datim u EN 62841; on se može koristiti za upoređenje jedne alatke sa drugom, kao i za preliminarnu procenu izloženosti vibracijama pri korišćenju ove alatke za pomenute namene
 - korišćenje alatke u drugačije svrhe ili sa drugačijim ili slabo održavanim nastavcima može značajno **povećati** nivo izloženosti
 - vreme kada je alatka isključena ili kada je uključena, ali se njome ne radi, može značajno **smanjiti** nivo izloženosti
- ! zaštitite se od posledica vibracija održavanjem alatke i njenih nastavaka, održavajući Vaše ruke toplim i organizovanjem Vaših radnih obrazaca**

SLO

Mešalnik

1608

UVOD

- Ta elektronski mešalnik je namenjen za enostavno mešanje snovi
- S pomoćju različnih lopatic je mogoće mešanje različnih snovi (različne vrste cementnih mešanica, gradbenih lepila, barva, zmesi za izravnavanje, malte za zgornji omet, suhe malte itd.)
- Priporočen volumen mešanja je odvisen od tipa i stanja snovi, ki jo želite mešati, ter vrste uporabljene lopatice
- Ne mešajte več kot 40 litrov snovi na enkrat
- Orodje ni namenjeno profesionalni uporabi
- Preberite in shranite navodila za uporabo 

TEHNIČNI PODATKI

DELI ORODJA

- A Vklonpno/izklonpno stikalo in za nadzor hitrosti
- B Gumb za blokiranje stikala
- C Varnostni okvir
- D Mešalna lopatica
- E Vreteno
- F Ventilacijske reže
- G Ključ (2)
- H Imbus ključ

VARNOST

SPLOŠNA VARNOSTNA OPOZORILA ZA ELEKTRIČNA ORODJA

⚠ OPOZORILO Preberite vsa varnostna opozorila, navodila in tehnične podatke ter si oglejte slike, ki so priloženi temu električnemu orodju. Neupoštevanje spodaj navedenih navodil se lahko odrazi v električnem udaru, požaru in/ali hudih poškodbah.

Vsa opozorila in navodila shranite, saj jih boste v prihodnosti morda potrebovali.

Pojem "električno orodje", ki se pojavlja v nadaljnjem besedilu, se nanaša na električna orodja z električnim pogonom (z električnim kablom) in na akumulatorska električna orodja (brez električnega kabla).

1) VARNOST NA DELOVNEM MESTU

- Poskrbite, da bo Vaše delovno mesto vedno čisto in urejeno.** Nered ali neosvetljena delovna področja lahko povzročijo nezgode.
- Prosimo, da orodja ne uporabljate v okolju, kjer je nevarnost za eksplozije in v katerem se nahajajo gorljive tekočine, plini in prah.** Električna orodja povzročajo iskre, zato se gorljivi prah ali pare lahko vnamejo.
- Ne dovolite otrokom in drugim osebam, da bi se medtem ko delate, približali električnemu orodju.** Druge osebe lahko odvrnejo Vašo pozornost drugam in izgubili boste nadzor nad orodjem.

2) ELEKTRIČNA VARNOST

- Vtič mora ustrezati električni vtičnici in ga pod nobenim pogojem ne smete spreminjati.** Uporaba adapterskih vtičev v kombinaciji z ozemljena orodja ni dovoljena. Originalni oziroma nespremenjeni vtiči in ustrezne vtičnice zmanjšujejo tveganje električnega udara.
 - Izogibajte se telesnemu stiku z ozemljenimi površinami, na primer s cevmi, grelci, štedilniki in hladilniki.** Če je ozemljeno tudi vaše telo, obstaja povečano tveganje električnega udara.
 - Zavarujte orodje pred dežjem ali vlago.** Vdor vode v električno orodje povečuje tveganje električnega udara.
 - Električnega kabla ne uporabljajte za prenašanje ali obešanje orodja in ne vlecite vtiča iz vtičnice tako, da vlečete za kabel.** Zavarujte kabel pred vročino, oljem, ostrimi robovi in premikajočimi se deli orodja. Poškodovani ali prepleteni kabli povečujejo tveganje električnega udara.
 - Če z električnim orodjem delate na prostem, uporabljajte izključno kabelski podaljšek, ki je atestiran za delo na prostem.** Uporaba kabelskega podaljška, primernega za delo na prostem, zmanjšuje tveganje električnega udara.
 - Če je uporaba električnega orodja v vlažnem okolju neizogibna, uporabljajte prekinjevalec električnega tokokroga.** Prekinjevalec električnega tokokroga zmanjšuje tveganje električnega udara.
- #### 3) OSEBNA VARNOST
- Bodite zbrani in pazite, kaj delate.** Dela z električnim orodjem se lotite razumno. Nikoli ne uporabljajte orodja, če ste utrujeni in če ste pod vplivom mamil,

- alkohola ali zdravil.** En sam trenutek nepazljivosti pri uporabi orodja ima lahko za posledico resne telesne poškodbe.
- b) **Uporabljajte osebna zaščitna sredstva in vedno nosite zaščitna očala.** Uporaba osebnih zaščitnih sredstev, na primer maske proti prahu, nedrsečih zaščitnih čevljev, zaščitne čelade in glušnikov, odvisno od vrste in uporabe električnega orodja, zmanjšuje tveganje telesnih poškodb.
- c) **Izogibajte se nenamernemu zagonu. Pred priključitvijo električnega orodja na električno omrežje in/ali na akumulator in pred dviganjem ali nošenjem se prepričajte, če je električno orodje izklopljeno.** Prenašanje naprave s prstom na stikalu ali priključitev vklopljenega električnega orodja na električno omrežje je lahko vzrok za nezgodo.
- d) **Pred vklopom orodja odstranite z nje nastavitvena orodja ali vijaki ključ.** Orodje ali ključ, ki se nahajata na vrtečem se delu električnega orodja, lahko povzročita nezgodo.
- e) **Ne precenjujte se in poskrbite za varno stojišče in stalno ravnotežje.** Tako boste lahko v nepričakovani situaciji bolje obvladali orodje.
- f) **Oblecite se primerno. Ne nosite ohlapnih oblačil ali nakita. Las in oblačil ne približujte premikajočim se delom.** Ohlapna oblačila, nakit ali dolgi lasje se lahko ujamejo v premikajoče se dele.
- g) **Če je možno na orodje namestiti priprave za odsesavanje in prestrezanje prahu, prepričajte se, ali so le-te priključene in, če jih pravilno uporabljate.** Uporaba priprave za odsesavanje prahu zmanjšuje zdravstveno ogroženost zaradi prahu.
- h) **Naj seznanjenost z orodjem, ki jo pridobite s pogosto uporabo, ne bo razlog za to, da postanete lahkomiselni in ignorirate varnostna načela.** V delčku sekunde lahko nepozorno dejanje pripelje do hude poškodbe.
- 4) RAVNANJE IN NEGA ROČNEGA ORODJA**
- a) **Ne preobremenjujte orodja. Za določeno delo uporabljajte električno orodje, ki je predvideno za opravljanje tega dela.** Z ustreznim električnim orodjem boste delo opravili bolje in varneje, ker je bilo v ta namen tudi konstruirano.
- b) **Električno orodje, ki ima pokvarjeno stikalo, ne uporabljajte.** Električno orodje, ki ga ni možno vklopiti ali izklopiti, je nevarno in ga je potrebno popraviti.
- c) **Izvlomite vtič iz vtičnice in/ali odstranite akumulatorsko baterijo, če jo je mogoče izzeti, še preden orodje popravljate, menjujete pribor ali ga shranite.** Ti preventivni varnostni ukrepi zmanjšajo tveganje za nenamenski zagon orodja.
- d) **Kadar orodja ne uporabljate ga shranjujte izven dosega otrok. Osebam, ki orodja ne poznajo ali niso prebrale teh navodil, orodja ne dovolite uporabljati.** Električna orodja so nevarna, če jih uporabljajo neizkušene osebe.
- e) **Vzdržujte električna orodja in pribor. Preverite, če premikajoči se deli orodja delujejo brezhibno in če se ne zatikajo, oziroma, če kakšen del orodja ni zlomljen ali poškodovan do te mere, da bi oviral njegovo delovanje. Pred nadaljnjo uporabo je potrebno poškodovani del popraviti.** Vzrok za številne nezgode so ravno slabo vzdrževana električna orodja.

- f) **Rezalna orodja naj bodo ostra in čista.** Skrbno negovana rezalna orodja z ostrimi rezili se manj zatikajo in so boljše vodljiva.
- g) **Električna orodja, pribor, nastavke in podobno uporabljajte v skladu s temi navodili. Pri tem upoštevajte delovne pogoje in vrsto dela, ki ga nameravate opraviti.** Zaradi uporabe električnega orodja v druge, nepredvidene namene, lahko nastanejo nevarne situacije.
- h) **Ročaji in površine za prijemanje naj bodo suhe, čiste in brez olja ali maščobe.** Gladki ročaji in površine za prijemanje ne omogočajo varne uporabe in nadzora orodja v nepričakovanih situacijah.
- 5) SERVISIRANJE**
- a) **Popravilo orodja lahko opravi samo usposobljena strokovna oseba in to izključno z originalnimi nadomestnimi deli.** Le tako bo ohranjena nadaljnja varnost orodja.

VARNOSTNA NAVODILA ZA MEŠALNIKE

- a) **Orodje z obema rokama držite na za to predvidenih ročajih.** Zaradi izgube nadzora lahko pride do telesnih poškodb.
- b) **Pri mešanju nevarnih snovi zagotovite zadostno prezračevanje, da preprečite nastanek nevarnega ozračja.** Nastale hlapne lahko vdihujete, zaradi iskrice, ki jih oddaja električno orodje, pa se lahko tudi vžgejo.
- c) **Ne mešajte hrane.** Električno orodje in njihovi dodatki niso namenjeni za mešanje hrane.
- d) **S kablom se ne približujte delovnemu območju.** Kabel se lahko zaplete v lopatico mešalnika.
- e) **Poskrbite, da bo posoda za mešanje nameščena v čvrstem in varnem položaju.** Posoda, ki ni ustrezno zavarovana, se lahko nepričakovano premakne.
- f) **Poskrbite, da ohišje električnega orodja ne bo izpostavljeno pljuskom.** Tekočina, ki vstopi v električno orodje, lahko povzroči poškodbe in električni udar.
- g) **Upoštevajte navodila in opozorila za material, ki ga boste mešali.** Material, ki ga boste mešali, je lahko škodljiv.
- h) **Če električno orodje pade v material, ki ga boste mešali, ga takoj izključite iz električnega napajanja, pregleda pa naj ga kvalificiran serviser.** Če sežete v vedro, ko je orodje še vedno priključeno na električno napajanje, lahko privede do električnega udara.
- i) **Med mešanjem z rokami ne segajte v posodo za mešanje in prav tako vanjo ne vstavljajte nobenih predmetov.** Stik z lopatico za mešanje lahko povzroči resne telesne poškodbe.
- j) **Orodje zažene in zaustavite le, kadar je nameščeno v posodi.** Lopatica za mešanje se lahko nenadzorovano ukriži ali vrti.

DODATNA VARNOSTNA NAVODILA

- Vedno preverite, če je napetost omrežja enaka napetosti, ki je navedena na tablici orodja
- Orodja ne smete nikoli uporabljati s poškodovanim kablom. Kabel morate zamenjati s posebej pripravljenim kablom, ki je na voljo pri servisnem podjetju.
- Orodja nikoli ne uporabljajte v eksplozivnem območju ali v njegovi bližini
- Nikoli ne mešajte vnetljivih snovi
- Uporabljajte zaščitne rokavice, masko proti prahu, tesno oprijeta oblačila in močna obuvala

- Med delom lahko nivo hrupa presega 85 dB(A); **uporabljajte zaščito proti hrupu**
- SKIL zagotavlja brezhibno delovanje orodja le z uporabo originalnega dodatnega pribora
- **Ne uporabljajte podaljškov lopatice za mešanje**
- **Vedno izvlecite električni vtičnik iz vtičnice preden spreminjate nastavitve ali menjate pribor**

POJASNILO OZNAK NA ORODJU

- ③ Pred uporabo preberite navodila za uporabo
- ④ Dvojna izolacija (ozemljitveni kabel ni potreben)
- ⑤ Ne odstranjujte električnega orodja in baterije s hišnimi odpadki

UPORABA

- Vkllop/Izklop ⑥
 - ! pazite na nenadne sile, ki nastanejo zaradi blokiranja pri vrtnanju; čvrsto držite orodje z obema rokama in si zagotovite stabilno in varno pozicijo
- Nastavitev števila vrtljajev za nežnejši start vrtljavnika ⑦
- Varnostni okvir ⑧
 - za varovanje orodja
 - za vodenje orodja
 - za enostavno odlaganje orodja
 - varnostni okvir C montirajte pred prvo uporabo orodja
 - ! orodja nikoli ne uporabljajte brez varnostnega okvirja
- Upravljanje orodja
 - ! preprečajte se, da je orodje izklopljeno
 - mešalne lopatice D montirajte na palico E kot je prikazano ⑨
 - vključite vtičnik v vtičnico
 - preprečajte se, da je mešalna posoda na tleh varno pozicionirana
 - mešalno lopatiko potopite v snov, ki jo želite mešati
 - preden vklopite mešalnik in nato s pritiskom na sprožilni gumb postopoma povečujte hitrost mešanja (tako, da snov ne bo brizgala naokrog in da mešalnik ne bo preobremenjen)
 - ! mešalnik izklaplajte le pri potopljenih mešalnih lopaticah
- Držanje in vodenje orodja ⑩
 - ! med delom vedno držite orodje za sivo obarvano mesto oprijema
 - ! vedno držite stroj trdno z obema rokama

VZDRŽEVANJE/SERVISIRANJE

- Orodje ni namenjeno profesionalni uporabi
- Priključni kabel in orodje naj bosta vedno čista (posebej še prezračevalne odprtine)
 - po mešanju vedno očistite mešalnik in funkcionalne dele
 - očistite orodje s suho, mehko krpo (ne uporabljajte čistilnih sredstev ali raztopil)
 - ventilacijske odprtine F ② redno čistite s krtačo ali stisnjenim zrakom
 - ! izvlecite vtičnik iz vtičnice pred čiščenjem
- Če bi kljub skrbnim postopkom izdelave in preizkušanja prišlo do izpada delovanja orodja, naj popravilo opravi servisna delavnica, pooblaščen za popravila SKILevih električnih orodij
 - pošljite nerazstavljeno orodje skupaj s potrdilom o nakupu pri vašemu prodajalcu v najbližjo SKIL servisno

delavnico (naslovi, kot tudi spisek rezervnih delov se nahaja na www.skil.com)

- Zavedajte se, da garancija ne vključuje poškodb zaradi preobremenitve orodja ali nepravilne rabe (glede SKILovih garancijskih pogojev obiščite www.skil.com ali povprašajte prodajalca)

OKOLJE

- **Električnega orodja, baterije, pribora in embalaže ne odstranjujte s hišnimi odpadki** (samo za države EU)
 - v skladu z Evropsko direktivo 2012/19/EG o odpadnih električni in elektronski opremi in z njenim izvajanjem v nacionalni zakonodaji je treba električna orodja ob koncu njihove življenjske dobe ločeno zbirati in jih predati v postopek okolju prijaznega recikliranja
 - ko je potrebno odstranjevanje, naj vas o načinu spomni simbol ⑥

HRUP / VIBRACIJA

- Izmerjeno v skladu s predpisom EN 62841 je raven zvočnega pritiska za to orodje 83 dB(A) in jakosti zvoka 94 dB(A) (standarden odmik: 3 dB), in vibracija 3,3 m/s² (vektorska vsota treh smeri; netočnost K = 1,5 m/s²)
- Raven oddajanja vibracij je bila izmerjena v skladu s standardiziranimi testi, navedenimi v EN 62841; uporabiti jo je mogoče za primerjavo različnih orodij med seboj in za predhodno primerjavo izpostavljenosti vibracijam pri uporabi orodja za namene, ki so omenjeni
 - uporaba orodja za drugačne namene ali uporaba skupaj z drugimi, slabo vzdrževanimi nastavki lahko znatno poveča raven izpostavljenosti
 - čas, ko je orodje izklopljeno ali ko teče, vendar z njim ne delamo, lahko znatno zmanjša raven izpostavljenosti
 - ! pred posledicami vibracij se zaščitite z vzdrževanjem orodja in pripadajočih nastavkov, ter tako, da so vaše roke tople, vaši delovni vzorci pa organizirani

EST

Segur

1608

SISSEJUHATUS

- Käesolev elektrooniline segur on mõeldud ainetehoiplsaaks ja lihtsaaks segamiseks
- Erinevate segulabadege saab segada mitmesuguseid aineid (eri sorti tsemendisegud, ehitusliimid, värvid, pinnatasandussegud, viimistlusrohvi ja kuivrohvi jne)
- Soovituslik segamishulk sõltub segatava aine tüübist ja olekust ning kasutatava otsiku tüübist
- Ärge kasutage segurit korraga üle 40 liitri aine segamiseks
- Tööriist pole mõeldud professionaalseks kasutamiseks
- Palun lugege käesolev kasutusjuhend hoolikalt läbi ja hoidke alles ③

TEHNILISED ANDMED ①

SEADME OSAD ②

- A Lüliti tööriista sisse-/väljalülitamiseks ja kiiruse kontrollimiseks
- B Lüliti lukustusnupp
- C Kaitseraam
- D Segulaba
- E Spindel
- F Ohutusavad
- G Lehtvõti (2)
- H Kuuskantvõtme

OHUTUS

ÜLDISED OHUTUSNÕUDED ELEKTRILISTE TÕÖRIISTADE KASUTAMISEL

⚠ HOIATUS Lugege kõiki hoiatusi, juhiseid, kirjeldusi ja spetsifikatsioone, mis käivad tööriistaga kaasas. Kui kõiki allpool loetletud juhiseid ei õnnestu järgida, võite saada elektrilöögi, võib tekkida tulekahju ja/või saada raskelt vigastada.

Hoidke kõik ohutusnõuded ja juhised edaspidiseks alles.

Allpool kasutatud mõiste “elektriline tööriist” käib võrgutoitega (toitejuhtmega) elektriliste tööriistade ja akutoitega (ilma toitejuhtmeta) elektriliste tööriistade kohta.

1) OHUTUSNÕUDED TÕÕPIIRKONNAS

- a) **Hoidke töökoht puhas ja korras.** Segadus või valgustamata tööpiirkonnad võivad põhjustada õnnetusi.
- b) **Ärge kasutage seadet plahvatusohtlikus keskkonnas, kus leidub tuleohtlikke vedelikke, gaase või tolmu.** Elektrilistest tööriistadest lööb sädemeid, mis võivad tolmu või auru süüdata.
- c) **Kui kasutate elektrilist tööriista, hoidke lapsed ja teised isikud töökohast eemal.** Kui Teie tähelepanu kõrvale juhitakse, võib seade Teie kontrolli alt väljuda.

2) ELEKTRIOHUTUS

- a) **Seadme pistik peab pistikupessa sobima.** Pistiku kallal ei tohi teha mingeid muudatusi. Ärge kasutage kaitsemaandusega seadmete puhul adapterpistikuid. Muutmata pistikud ja sobivad pistikupesad vähendavad elektrilöögi saamise riski.
- b) **Vältige kehakontakti maandatud pindadega, nagu torud, radiaatorid, pliidid ja külmikud.** Kui Teie keha on maandatud, on elektrilöögi risk suurem.
- c) **Hoidke seadet vihma ja niiskuse eest.** Kui elektriseadmesse on sattunud vett, on elektrilöögi saamise risk suurem.
- d) **Ärge kasutage toitejuhet selleks mitte ettenähtud otstarbel seadme kandmiseks, ülesripitamiseks ega pistiku pistikupesast väljatõmbamiseks.** Hoidke toitejuhet kuumuse, õli, teravate servade ja seadme liikuvate osade eest. Kahjustatud või keerduläinud toitejuhtmed suurendavad elektrilöögi saamise riski.
- e) **Kui töötate elektrilise tööriistaga vabas õhus, kasutage ainult selliseid pikendusjuhtmeid, mida on lubatud kasutada ka välistingimustes.** Välistingimustes kasutamiseks sobiva pikendusjuhtme kasutamine vähendab elektrilöögi saamise riski.
- f) **Kui elektrilise tööriista kasutamine niiskes keskkonnas on vältimatu, kasutage maandusega**

lekkevoolukaitses. Maandusega lekkevoolukaitsme kasutamine vähendab elektrilöögi ohtu.

3) INIMESTE TURVALISUS

- a) **Olge tähelepanelik, jälgige, mida Te teete, ning toimige elektrilise tööriistaga töötades mõistlikult.** Ärge kasutage seadet, kui olete väsinud või uimastite, alkoholi või ravimite mõju all. Hetkeline tähelepanematus seadme kasutamisel võib põhjustada tõsiseid vigastusi.
 - b) **Kandke isikukaitsevahendeid ja alati kaitseprille.** Isikukaitsevahendite, nagu tolmumask, liibsemiskindlad turvajalatsid, kaitsekiiver või kuulmiskaitsevahendid, kandmine – sõltuvalt elektrilise tööriista tüübist ja kasutusalasalt – vähendab vigastuste riski.
 - c) **Vältige seadme tahtmatut käivitamist. Enne pistiku ühendamist pistikupessa, aku ühendamist seadme külge, seadme ülestõstmist ja kandmist veenduge, et elektriline tööriist on välja lülitatud.** Kui hoiate elektrilise tööriista kandmisel sõrme lüliti või ühendate vooluvõrku sisselülitatud seadme, võivad tagajärjeks olla õnnetused.
 - d) **Enne seadme sisselülitamist eemaldage selle küljest reguleerimis- ja mutrivõtmed.** Seadme pöörleva osa küljes olev reguleerimis- või mutrivõti võib põhjustada vigastusi.
 - e) **Ärge hinnake end üle. Võtke stabiilne tööasend ja hoidke kogu aeg tasakaalu.** Nii saate seadet ootamatutes olukordades paremini kontrollida.
 - f) **Kandke sobivat rõivastust. Ärge kandke laiu riideid ega ehteid. Hoidke juuksed ja rõivad seadme liikuvatest osadest eemal.** Lotendavad riided, ehted või pikad juuksed võivad sattuda seadme liikuvate osade vahele.
 - g) **Kui on võimalik paigaldada tolmueemaldus- ja tolmukogumisseadiseid/seadmeid, veenduge, et need oleksid seadmega ühendatud ja et neid kasutatakse õigesti.** Tolmueemaldusseadise kasutamine vähendab tolmu põhnjustatud ohte.
 - h) **Ärge muutuge tööriista sagedasest kasutamisest hooletuks ja ärge eirake ohutusnõudeid.** Hooletus võib sekundi murdosa jooksul kaasa tuua raskeid vigastusi.
- #### 4) ELEKTRILISTE TÕÖRIISTADE HOOLIKAS KÄSITSEMIN JA KASUTAMINE
- a) **Ärge koormake seadet üle.** Kasutage töö tegemiseks selleks ettenähtud elektrilist tööriista. Sobiva elektrilise tööriistaga töötate paremini ja turvalisemal ettenähtud võimsusvahemikus.
 - b) **Ärge kasutage elektrilist tööriista, mille lüliti on rikkis.** Elektriline tööriist, mida ei ole enam võimalik sisse ja välja lülitada, on ohtlik ning seda tuleb remontida.
 - c) **Tõmmake pistik pistikupesast välja ja/või eemaldage seadmest aku, kui on eemaldatav, enne seadme reguleerimist, tarvikute vahetamist ja seadme ärapanekut.** See ettevaatusabinõu väldib seadme tahtmatut käivitamist.
 - d) **Kasutusajal hoidke elektrilise tööriista lastele kättesaamatult. Ärge laske seadet kasutada isikutel, kes seda ei tunne või pole siintoodud juhiseid lugenud.** Kogenematute kasutajate käes kujutavad elektrilised tööriistad ohtu.
 - e) **Hoolitsege elektriliste tööriistade ja tarvikute eest korralikult.** Kontrollige, kas seadme liikuvad

osad funktsioneerivad korralikult ja ei kiildu kinni, ning ega mõned osad ei ole katki või sel määral kahjustatud, et võiksid mõjutada seadme töökindlust. Laske kahjustatud osad enne seadme kasutamist parandada. Paljude õnnetuste põhjuseks on halvasti hooldatud elektrilised tööriistad.

- f) **Hoidke lõiketarvikud teravad ja puhtad.** Hoolikalt hoitud, teravate lõikeservadega lõiketarvikud kiilduvad harvemini kinni ja neid on lihtsam juhtida.
- g) **Kasutage elektrilist tööriista, lisavarustust, tarvikuid jne vastavalt siintoodud juhistele.** Arvestage seejuures töötingimuste ja teostatava töö iseloomuga. Elektriliste tööriistade kasutamine mitte ettenähtud otstarbel võib põhjustada ohtlikke olukordi.
- h) **Hoidke käepidemed ja haardepinnad kuiva ja puhtana ning vabana õlist ja määrdeainetest.** Libedad käepidemed ja haardepinnad ei luba tööriista ohutult käsitseda ja ootamatutes olukordades kontrolli all hoida.
- 5) **TEENINDUS**
 - a) **Laske seadet parandada ainult kvalifitseeritud spetsialistidel ja ainult originaalvaruosadega.** Nii tagate seadme püsimise turvalisena.

OHUTUSJUHISED SEGURITE KOHTA

- a) **Hoidke mõlema käega kinni seadme käepidemetest.** Kontrolli kaotamine võib põhjustada isikukahju.
- b) **Ohtliku olukorra vältimiseks veenduge, et süttivate materjalide segamisel oleks tagatud piisav ventilatsioon.** Vastasel juhul võite tekkivaid aure sisse hingata või elektritööriistast tulevate sädemetega põlema süüdata.
- c) **Ärge kasutage tööriista toidu segamiseks.** Elektritööriistad ja tarvikud ei ole mõeldud toidu segamiseks.
- d) **Hoidke kaablit tööalast eemal.** Kaabel võib segulaba külge kinni jääda.
- e) **Veenduge, et segunõu oleks asetatud oma kohale kindlalt ja turvaliselt.** Vastasel juhul võib see ootamatult kohalt liukuda.
- f) **Tagage, et elektritööriista korpus ei puutuks kokku vedeliku pritsmetega.** Elektritööriista sisse sattunud vedelik võib põhjustada seadmekahju ja põhjustada elektrilöögi.
- g) **Järgige segatava materjali juhiseid ja hoiatusi.** Segatav materjal võib olla kahjulik.
- h) **Kui elektritööriist kukub segu sisse, eemaldage tööriist koheselt vooluvõrgust ja laske seda kontrollida kvalifitseeritud parandajal.** Ärge haarake segu sisse kukkunud tööriistast, kui see on veel vooluvõrku ühendatud. See võib põhjustada elektrilöögi.
- i) **Ärge pange segamise ajal käsi ega mis tahes teisi objekte segu sisse.** Segulabaga kokkupuutumine võib põhjustada tõsist isikukahju.
- j) **Käivitage elektritööriist ja lülitage see välja ainult siis, kui see on segunõus.** Vastasel juhul võib segulaba painduda või ettearvamatul moel liukuda.

TÄIENDAVAD OHUTUSNÕUDED

- Kontrollige alati, kas võrgupinge ühtib tööriista andesildil toodud pingega
- Ärge kasutage kunagi tööriista, kui juhe on kahjustatud; see tuleb välja vahetada spetsiaalse juhtme vastu, mille saate hooldusteenust osutavalt ettevõttelt.

- Ärge kasutage seadet kunagi plahvatusohtlikus atmosfääris või selle läheduses
- Ärge segage kunagi kergesti süttivaid aineid
- Kandke kaitsekindaid, tolmuaitsemaski, ja turvajalatsaid; ärge kandke töö ajal lai, lotendavaid riideid
- Töötamise ajal võib müratase ületada 85 dB(A); **kandke kuulmiskaitsevahendeid**
- SKIL tagab seadme häireteta töö üksnes originaaltarvikute kasutamisel
- **Ärge kasutage segulaba pikendusi**
- **Enne seadme reguleerimist või tarviku vahetust eemaldage seade vooluvõrgust (tõmmake pistik pistikupesast välja)**

TÖÖRIISTAL OLEVATE SÜMBOLITE SELGITUS

- ③ Enne kasutamist tutvuge kasutusjuhendiga
- ④ Topeltisolatsioon (maandusjuhe pole vajalik)
- ⑤ Ärge visake kasutuskoõlmatuks muutunud elektrilisi tööriistu ja patareisid ära koos olmejäätmetega

KASUTAMINE

- Sisse/välja ⑥
 - ! **pöörake tähelepanu blokeerumisel tekkivatele jõududele; hoidke seadet alati kindlalt kahe käega ja võtke stabiilne töösena**
- Pöõrete arvu reguleerimine sujuvaks käivituseks ⑦
- Kaitseraam ⑧
 - seadme kaitsmiseks
 - seadme suunamiseks
 - seadme kõrvalepanekuks hõlpsal viisil
 - enne seadme esmakordset kasutamist paigaldage kaitseraam C
 - ! **ärge kasutage seadet kunagi ilma kaitseraamita**
- Seadme kasutamine
 - ! **veenduge, et seade on välja lülitatud**
 - monteeri segulaba D võllile E nagu joonisel näidatud ⑨
 - ühendage pistik vooluvõrku
 - veenduge, et segunõu on kindlalt pöõrandale asetatud
 - kaste segulaba **enne seadme sisselülitamist** segatavasse ainesse ning seejärel tõstke järk-järgult segamiskirust, suurendades päästikule avaldatavat survet (et vältida aine laialiprimsimist ja seadme ülekoormust)
 - ! **lülitage seade välja ainult siis, kui segulaba on segunõus**
- Tööriista hoidmine ja juhtimine ⑩
 - ! **töötamise ajal hoidke tööriista kinni korpusse ja käepideme halli värvi osadest**
 - ! **hoidke seadet alati mõlema käega**

HOOLDUS/TEENINDUS

- Tööriist pole mõeldud professionaalseks kasutamiseks
- Hoidke seade ja toitejuhe alati puhtad (eriti õhusavad)
 - pärast segamistõõde tegemist puhastage seguri ja töõtavad osad
 - puhastage mõõteriista kuiva pehme lapiga (ärge kasutage puhastusvahendeid ega lahusteid)
 - puhastage ventilatsioonipõõlusid F ② regulaarselt harja või suruõõuga
- **enne puhastamist eemaldage seade vooluvõõrgust**
- Tööriist on hoolikalt valmistatud ja testitud; kui tööriist sellest hoolimata rikki läheb, tuleb see lasta

parandada SKILi elektriliste käsitööriistade volitatud remonditöökojas

- toimetage **lahtimonteerimata** seade koos ostukviitungiga tarnijale või lähimasse SKILi lepingulisse töökotta (aadressid ja tööriista varuosade joonise leiata aadressil www.skil.com)

- Arvestage sellega, et garantii ei hõlma seadme ülekoormamisest või ebaõigest käsitemisest tulenevaid kahjustusi (teavet SKILi garantiitingimuste kohta vaadake veebilehelt www.skil.com või küsige kohalikult müügiesindajalt)

KESKKOND

- **Ärge visake kasutuskõlbmatuks muutunud elektrilisi tööriistu, patareisid, lisatarvikuid ja pakendeid ära koos olmejäätmetega** (üksnes EL liikmesriikidele)
 - vastavalt Euroopa Parlamendi ja nõukogu direktiivile 2012/19/EÜ elektri- ja elektroonikaseadmete jäätmete kohta ning direktiivi nõuete kohaldamisele liikmesriikides tuleb kasutuskõlbmatuks muutunud elektrilised tööriistad koguda eraldi ja keskkonnasäästlikult korduvkasutada või ringlusse võtta
 - seda meenutab Teile sümbol ⑤

MÜRA / VIBRATSIOON

- Vastavalt kooskõlas normiga EN 62841 läbi viidud mõõtmistele on tööriista helirõhk 83 dB(A) ja helitugevus 94 dB(A) (standardkõrvalekalle: 3 dB), ja vibratsioon $3,3 \text{ m/s}^2$ (kolme telje vektorsumma; mõõtemääramatus $K = 1,5 \text{ m/s}^2$)
 - Tekkiva vibratsiooni tase on mõõdetud vastavalt standardis EN 62841 kirjeldatud standarditud testile; seda võib kasutada tööriistade võrdlemiseks ja tööriista kasutamisel ettenähtud töödeks esineva vibratsiooni esialgseks hindamiseks
 - tööriista kasutamisel muudeks rakendusteks või teiste/halvasti hooldatud tarvikute kasutamisel võib vibratsioon märkimisväärselt **suureneda**
 - ajal, kui tööriist on väljalülitatud või on küll sisselülitatud, kuid tegelikult seda ei kasutata, võib vibratsioon märkimisväärselt **väheneda**
- ! enda kaitsmiseks vibratsiooni eest hooldage tööriista ja selle tarvikuid korralikult, hoidke oma käed soojad ja tagage sujuv töökorraldus**

LV

Mikseris

1608

IEVADS

- Šis elektroniskais mikseris paredzēts ērtai un vienkāršai lielu sajaukšanai
- Izmantojot dažādas jauceļļapstīņas, iespējams sajaukt dažādas vielas (dažāda veida cementa masas, būvniecības līmes, krāsas, izlīdzināšanas maisījumus, apdāres materiālus un sauso kaļķu javu utt.)
- Ieteicamais sajaukamās masas daudzums atkarīgs no konkrētās vielas veida un stāvokļa, kā arī maisīšanai izmantojamās lāpstīņas veida
- Vienā ciklā nejauciet vairāk kā 40 litru vielas
- Šis darbarīks nav paredzēts profesionāli lietošanai
- Izlasiet un saglabājiet šo pamācību ③

TEHNISKIE PARAMETRI ①

INSTRUMENTA ELEMENTI ②

- A Ieslēdzējs un griešanās ātruma regulators
- B Poga ieslēdzēja fiksēšanai
- C Aizsargrāmis
- D Jauceļļapstīņa
- E Darbvārpsta
- F Ventilācijas atveres
- G Uzgriežņu atslēga (2)
- H Sešstūra stieņatslēga

DROŠĪBA

VISPĀRĒJIE NOTEIKUMI ELEKTROINSTRUMENTU DROŠAI LIETOŠANAI

⚠ BRĪDINĀJUMS Iepazīstieties ar visiem šī elektroinstrumenta drošas lietošanas noteikumiem, norādījumiem, attēliem un specifikācijām. Visu turpmāk sniegto norādījumu neizpildes rezultātā lietotājs var ciest no elektrošoka, vai izvērsties ugunsnelaime un/vai rasties smagi ievainojumi.

Saglabājiet visus noteikumus un norādījumus turpmākai atsaucēi.

Noteikumos minētais termins "elektroinstruments" nozīmē ar strāvu darbināmu (ar vadu aprīkots) vai ar akumulatoru darbināmu (bezvadu) elektroinstrumentu.

1) DROŠĪBA DARBA VIETĀ

- Sekoji, lai darba vieta būtu tīra un sakārtota.**
Nekārtīgā darba vietā vai sliktā apgaismojumā var viegli notikt nelaimes gadījums.
- Nelietojiet elektroinstrumentu eksplozīvu vai ugunsdrošu vielu tuvumā un vietās ar paaugstinātu gāzes vai putekļu saturu gaisā.** Darba laikā instruments nedaudz dzirksteļo, un tas var izsaukt viegli degošu putekļu vai tvaiku aizdegšanos.
- Lietojot elektroinstrumentu, neļaujiet nepiederošām personām un jo īpaši bērniem tuvojies darba vietai.** Citu personu klātbūtne var novērst uzmanību, un tā rezultātā jūs varat zaudēt kontroli pār instrumentu.

2) ELEKTRODROŠĪBA

- Elektroinstrumenta kontaktdakšai jābūt piemērotai elektrotīkla kontaktligzdai. Kontaktdakšas konstrukciju nedrīkst nekādā veidā mainīt. Nelietojiet kontaktdakšas salāgotājus, ja elektroinstrumentes caur kabeli tiek savienots ar aizsargzemeņa ķēdi. Neizmainītas konstrukcijas kontaktdakša, kas piemērota kontaktligzdai, ļauj samazināt elektriskā trieciena saņemšanas risku.**
- Darba laikā nepieskarieties sazēmētiem priekšmetiem, piemēram, caurulēm, radiatoriem, plīfim vai ledusskapjiem.** Pieskaroties sazēmētām virsmām, pieaug risks saņemt elektrisko triecienu.
- Nelietojiet elektroinstrumentu lietus laikā, neturiet to mitrumā.** Mitrumam iekļūstot instrumentā, pieaug risks saņemt elektrisko triecienu.
- Nesiet un nepiekariet elektroinstrumentu aiz elektrokabeļa. Neraujiet aiz kabeļa, ja vēlaties atvienot instrumentu no elektrotīkla kontaktligzdas.**

- Sargājiet elektrokabeli no karstuma, eļļas, asām šķautnēm un instrumenta kustīgajām daļām. Bojāts vai samezģojies elektrokabelis var būt par cēloni elektriskajam triecienam.
- e) **Darbinot elektroinstrumentu ārpus telpām, izmantojiet tā pievienošanai vienīgi tādus pagarinātājkabeļus, kuru lietošana ārpus telpām ir atļauta.** Lietojot elektrokabeli, kas piemērots darbam ārpus telpām, samazinās risks saņemt elektrisko triecienu.
- f) **Ja elektroinstrumentu tomēr nepieciešams lietot vietās ar paaugstinātu mitrumu, izmantojiet tā pievienošanai noplūdes strāvas aizsargreleju.** Lietojot noplūdes strāvas aizsargreleju, samazinās risks saņemt elektrisko triecienu.
- 3) **PERSONISKĀ DROŠĪBA**
- a) **Darba laikā saglabājiet paškontroli un rīkojieties saskaņā ar veselo saprātu. Pārtrauciet darbu, ja jūtaties noguris vai atrodaties alkohola, narkotiku vai medikamentu izraisītā reibumā.** Strādājot ar elektroinstrumentu, pat viens neuzmanības mirklis var būt par cēloni nopietnam savainojumam.
- b) **Izmantojiet individuālos darba aizsardzības līdzekļus un darba laikā vienmēr nēsājiet aizsargbrilles.** Individuālo darba aizsardzības līdzekļu (putekļu maskas, neslīdošu apavu un aizsargķiveres vai ausu aizsargu) pielietošana atbilstoši elektroinstrumenta tipam un veicamā darba raksturam ļauj izvairīties no savainojumiem.
- c) **Nepieļaujiet elektroinstrumenta patvaļīgu ieslēgšanos. Pirms elektroinstrumenta pievienošanas elektrotīklam, akumulatora ievietošanas vai izņemšanas, kā arī pirms elektroinstrumenta pārnesšanas pārliecinieties, ka tas ir izslēgts.** Pārnesot elektroinstrumentu, ja pirksts atrodas uz ieslēdzēja, kā arī pievienojot to elektrobarošanas avotam laikā, kad elektroinstrumentis ir ieslēgts, var viegli notikt nelaimes gadījums.
- d) **Pirms instrumenta ieslēgšanas neaizmirstiet izņemt no tā regulējošos instrumentus vai skrūvjatslēgas.** Patronatslēga vai skrūvjatslēga, kas instrumenta ieslēgšanas brīdī nav izņemta no tā, var radīt savainojumu.
- e) **Strādājot ar elektroinstrumentu, ieturiet stingru stāju.** Darba laikā vienmēr saglabājiet līdzsvaru un centieties nepaslidēt. Tas atvieglos instrumenta vadību neparedzētās situācijās.
- f) **Izvēlieties darbam piemērotu apģērbu.** Darba laikā nenēsājiet brīvi plandošas drēbes un rotaslietas. Netuviniet garus matus un drēbes elektroinstrumenta kustīgajām daļām. Vaļīgas drēbes, rotaslietas un gari mati var iķerties instrumenta kustīgajās daļās.
- g) **Ja elektroinstrumenta konstrukcija ļauj tam pievienot ārējo putekļu uzsūkšanas vai savākšanas/uzkrāšanas ierīci, sekojiet, lai tā tiktu pievienota elektroinstrumentam un pareizi darbotos.** Pielietojot putekļu uzsūkšanu vai savākšanu/uzkrāšanu, samazinās to kaitīgā ietekme uz strādājošās personas veselību.
- h) **Nepaļaujieties uz iemaņām, kas tiek iegūtas, bieži lietojot instrumentus, neieslīgstiet pašapmierinātībā un neignorējiet instrumenta drošas lietošanas principus.** Neuzmanīgas rīcības dēļ dažās sekundēs daļas var gūt nopietnu savainojumu.
- 4) **ELEKTROINSTRUMENTU LIETOŠANA UN APKOPE**
- a) **Nepārslodojiet elektroinstrumentu.** Katram darbam izvēlieties piemērotu instrumentu. Elektroinstrumentus darbosies labāk un drošāk pie nominālās slodzes.
- b) **Nelietojiet elektroinstrumentu, ja ir bojāts tā ieslēdzējs.** Elektroinstrumentus, ko nevar ieslēgt un izslēgt, ir bīstams lietošanai un to nepieciešams remontēt.
- c) **Pirms elektroinstrumenta apkopes, regulēšanas vai darbinstrumenta nomaīņas atvienojiet tā kontakt dakšu no barojošā elektrotīkla vai izņemiet no tā akumulatoru, ja tas ir izņemams.** Šādi iespējams samazināt elektroinstrumenta nejausās ieslēgšanās risku.
- d) **Elektroinstrumentu, kas netiek darbināts, uzglabājiet piemērotā vietā, kur tas nav sasniedzams bērniem un personām, kuras neprot rīkoties ar instrumentu.** Ja elektroinstrumentu lieto nekompetentas personas, tas var apdraudēt cilvēku veselību.
- e) **Savlaicīgi apkalpojiet elektroinstrumentus un to piederumus.** Pārbaudiet, vai kustīgās daļas darbojas bez traucējumiem un nav iespīlētas, vai kāda no daļām nav salauzta vai bojāta, vai katra no tām pareizi funkcionē un pilda tai paredzēto uzdevumu. Nodrošiniet, lai bojātās daļas tiktu savlaicīgi nomainītas vai remontētas pilnvarotā remontu darbnīcā. Daudzi nelaimes gadījumi notiek tāpēc, ka elektroinstrumentus pirms lietošanas nav pienācīgi apkalpots.
- f) **Savlaicīgi notīriet un uzasiniet griezošos darbinstrumentus.** Rūpīgi kopti instrumenti, kas apgādāti ar asiem griezējinstrumentiem, ļauj strādāt daudz ražīgāk un ir vieglāk vadāmi.
- g) **Lietojiet vienīgi tādus elektroinstrumentus, papildpiederumus, darbinstrumentus utt., kas paredzēti attiecīgajam pielietojuma veidam.** Bez tam jāņem vērā arī konkrētie darba apstākļi un pielietojuma īpatnības. Elektroinstrumentu lietošana citiem mērķiem, nekā to ir paredzējusi ražotājfirma, ir bīstama un var novest pie neparedzamām sekām.
- h) **Uzturiet elektroinstrumenta rokturus un noturvirsmas sausas un tīras, sargājiet tās no eļļas un smērvielām.** Slideni rokturi un noturvirsmas traucē efektīvi rīkoties ar elektroinstrumentu un to droši vadīt neparedzētās situācijās.
- 5) **APKALPOŠANA**
- a) **Nodrošiniet, lai Instrumenta remontu veiktu kvalificēts personāls, nomaīnai izmantojot oriģinālās rezerves daļas un piederumus.** Tikai tā iespējams panākt instrumenta ilgstošu un nevainojamu darbību bez atteikumiem.

DROŠĪBAS NOTEIKUMI MIKSERIEM

- a) **Turiet instrumentu aiz tā rokturim ar abām rokām.** Zaudējot kontroli pār darbinstrumentu, pastāv savainojumu risks.
- b) **Maisot uzliesmojošus materiālus, nodrošiniet pietiekamu ventilāciju, lai neradītu bīstamu atmosfēru.** Radušies tvaiki var tikt ieelpoti vai aizdedzināti ar elektriskā instrumenta radītajām dzirkstelēm.

- c) **Neizmantojiet pārtikas produktu maisīšanu.** Elektriskie instrumenti un to piederumi nav paredzēti pārtikas produktu apstrādei.
- d) **Turiet vadu drošā attālumā no darba zonas.** Vads var iepīties miksera lāpstiņās.
- e) **Maisīšanas tvērti stingri novietojiet stabilā pozīcijā.** Nepietiekami nostiprināta tvērtne var negaidīti izkustēties.
- f) **Nodrošiniet, ka elektriskā instrumenta korpus netiek apšļakstīts ar šķidrumu.** Elektriskajā instrumentā iekļuvīs šķidrums var izraisīt bojājumus un radīt elektriskās strāvas triecienu.
- g) **Ievērojiet saistībā ar maisāmo materiālu sniegtās norādes un brīdinājumus.** Maisāmais materiāls var būt kaitīgs.
- h) **Ja elektriskais instruments iekrīt maisāmajā materiālā, nekavējoties atvienojiet instrumentu no strāvas padeves un nogādājiet to pie kvalificēta meistara pārbaudes veikšanai.** Roku likšana spainī, kad instruments vēl ir pieslēgts strāvas padevei, var radīt elektriskās strāvas triecienu.
- i) **Maisīšanas laikā nelieciet maisīšanas tvērtņē rokas vai jebkādus priekšmetus.** Pieskaroties miksera lāpstiņai, varat gūt smagas traumas.
- j) **Instrumentu ieslēdziet un darbiniet tikai tad, kad tā lāpstiņas ievietotas maisīšanas tvērtņē.** Miksera lāpstiņa var nekontrolēti saliekties vai griezties.

PAPILDU DROŠĪBAS NOTEIKUMI

- Vienmēr pārlicinieties, ka spriegums, kas uzrādīts uz instrumenta marķējuma plāksnītes, atbilst padeves spriegumam elektrotīklā
- Nekad neizmantojiet instrumentu, ja bojāts tā vads; tas jānomaina pret speciāli sagatavotu kabeli, kas pieejams servisa uzņēmumā.
- Instrumentu nekad nelietojiet eksplozīvas vides tuvumā
- Nekad nejauciet ugunsdrošas vielas
- Darba laikā nēsājiet aizsargcimdus, putekļu aizsargmasku, uzvelciet pieguļošas drēbes un stingrus apavus
- Darba laikā instrumenta radītā trokšņa līmenis var pārsniegt 85 dB(A); **lietojiet ausu aizsargus**
- Firma SKIL garantē instrumenta nevainojamu darbību tikai tad, ja tiek lietoti oriģinālie papildpiederumi
- **Neizmantojiet miksera lāpstiņu pagarinājumus**
- **Pirms instrumenta regulēšanas vai piederumu nomainīšanas atvienojiet to no barošā elektrotīkla**

UZ INSTRUMENTA ATTĒLOTĀ SIMBOLU SKAIDROJUMS

- ③ Pirms izstrādājuma lietošanas izlasiet tā lietošanas pamācību
- ④ Divkārsa izolācija (nav jālieto zemējuma vads)
- ⑤ Neizmetiet elektroiekārtas un baterijas ar sadzīves materiālus atkritumu

DARBS

- Ieslēgšana/izslēgšana ⑥
! nemiet vērā reaktīvo spēku, kas rodas darbinstrumentam iespūstot; tādēļ darba laikā vienmēr stingri turiet triecienuurbjamsīnu un nodrošiniet stabilu pamatu zem kājām
- Darbvārpstas griešanās ātruma bezpakāpju regulēšana ⑦
- Aizsargrāmis ⑧
 - instrumenta aizsargāšanai
 - instrumenta vadīšanai

- instrumenta vienkāršai nolikšanai
- piestipriniet aizsargrāmi C, iekams instrumentu izmantojot pirmo reizi
- ! nekad nelietojiet instrumentu bez aizsargrāmja**
- Instrumenta darbināšana
! pārlicinieties, ka instruments ir izslēgts
 - uzskrūvējiet jauccēļlāpstiņu D uz ass E kā parādīts attēlā ⑨
 - pievienojiet ripzāga elektrokabeli barojošajam elektrotīklam
 - nodrošiniet, lai jaukšanas tvērtne uz grīdas būtu novietota stabili
 - ievietojiet jauccēļlāpstiņu vielā, kas jā sajauc, **iekams ieslēdzat instrumentu**, un tad pakāpeniski palieliniet jaukšanas ātrumu, arvien spēcīgāk spiežot slēdzi (tā, lai viela neizšļakstās un instruments nav pārslogots)
! instrumentu ieslēdziet tikai tad, kad jauccēļlāpstiņa atrodas tvērtņē
- Instrumenta turēšana un vadīšana ⑩
! darba laikā vienmēr turiet instrumentu aiz pelēkās krāsas noturvirsmas(ām)
! vienmēr stingri turiet instrumentu ar abām rokām

APKALPOŠANA / APKOPE

- Šis darbarīks nav paredzēts profesionālai lietošanai
- Uzturiet tīru instrumentu un elektrokabeli (īpaši ventilācijas atveres)
 - pēc maisīšanas allaž notīriet mikseris un funkcionālās detaļas
 - tīriet instrumentu ar sausu mīkstu drāniņu (nelietojiet tīrīšanas līdzekļus vai šķīdinātājus)
 - ventilācijas atveres F ② regulāri tīriet ar suku vai saspiesta gaisa strūklu
- ! pirms instrumenta tīrīšanas atvienojiet to no elektrotīkla**
- Ja, neraugoties uz augsto izgatavošanas kvalitāti un rūpīgo pērcārošanas pārbaudi, instruments tomēr sabojājas, tas jānogādā remontam firmas SKIL pilnvarotā elektroinstrumentu remonta darbnīcā
 - nogādājiet instrumentu **neizjauktā veidā** kopā ar iegādes dokumentiem tuvākajā tirdzniecības vietā vai firmas SKIL pilnvarotā pēciegādes apkalpošanas un remonta iestādē (adreses un instrumenta apkalpošanas shēma ir sniegta interneta vietnē www.skil.com)
- Ievērojiet, ka garantijā neietilpst pārslodzes vai nepareizas instrumenta eksploatācijas izraisītie bojājumi (SKIL garantijas noteikumus skatiet www.skil.com vai vērsieties pie izplatītāja)

APKĀRTĒJĀS VIDES AIZSARDZĪBA

- **Neizmetiet elektroiekārtas, baterijas, piederumus un iesaiņojuma materiālus sadzīves atkritumos** (tikai ES valstīm)
 - saskaņā ar Eiropas Savienības direktīvu 2012/19/ES par nolietotajām elektriskajām un elektroniskajām iekārtām un tās atspoguļojumiem nacionālajā likumdošanā, nolietotās elektroiekārtas ir jāsavāc, jāizjauc un jānogādā atreizējai pārstrādei apkārtējai videi nekaitīgā veidā
 - īpašs simbols ⑤ atgādina par nepieciešamību izstrādājumus izmantot videi nekaitīgā veidā

TROKSNIS / VIBRĀCIJA

- Saskaņā ar standartu EN 62841 noteiktais instrumenta radītā trokšņa skaņas spiediena līmenis ir 83 dB(A) un skaņas jaudas līmenis ir 94 dB(A) (pie tipiskās izkliedes: 3 dB), un vibrācijas paātrinājums ir 3,3 m/s² (vektoru summa trijos virzienos; izkliede K = 1,5 m/s²)
 - Vibrācijas līmenis ir noteikts, izmantojot standartā EN 62841 paredzēto procedūru; to var izmantot, lai salīdzinātu instrumentus un provizoriski izvērtētu vibrācijas iedarbību, lietojot instrumentu minētajiem mērķiem
 - instrumenta izmantošana citiem mērķiem vai ar citiem vai nepietiekami koptiem piederumiem var ievērojami palielināt kopējo vibrācijas iedarbības pakāpi
 - laika periodi, kad instruments ir izslēgts vai arī ir ieslēgts, taču darbs ar to nenotiek, var ievērojami samazināt kopējo vibrācijas iedarbības pakāpi
- ! pasargājiet sevi no vibrācijas iedarbības, veicot instrumenta un tā piederumu tehnisko apkopi, novēršot roku atdzišanu un pareizi organizējot darbu**

LT

Maištuvas

1608

ĪVADAS

- Šis elektroniskais maištuvas skirtas patogām ir paprastam medziāgu maišymui
- Naudojot skirtingas mentes galima maišyti įvairias medžiagas (skirtingus cemento mišinius, statybinius klijus, dažus, niveliavimo mišinius, apdailos ir sausius kalkių/cemento skiedinius ir t.t.)
- Rekomenduojamas maišomas tūris priklauso nuo maišomos medžiagos rūšies ir būsenos bei naudojamų mentės rūšies
- Nemašykite daugiau kaip 40 litrų medžiagos vienu kartu
- Šis įrankis neskirtas profesionaliam naudojimui
- Perskaitykite ir išsaugokite šią naudojimo instrukciją ③

TECHNINIAI DUOMENYS ①

PRIETAISO ELEMENTAI ②

- A Jungiklis įjungimui/išjungimui ir greičiui valdyti
- B Jungiklio fiksatorius
- C Apsauginis rėmas
- D Maišymo mentė
- E Suklys
- F Ventilacinės angos
- G Raktas (2)
- H Šėšiabriaunis raktas

SAUGA

BENDRIEJI ELEKTRINIŲ ĮRANKIŲ SAUGOS ĮSPĖJIMAI

! ĮSPĖJIMAS Perskaitykite visus su šiuo elektriniu prietaisu pateiktus saugos perspėjimus, instrukcijas, paveikslėlius ir specifikacijas. Nepaisant toliau pateiktų instrukcijų galite patirti elektros smūgį, įvykti gaisras ir / ar patirti rimtų sužalojimų.

Išsaugokite visus įspėjimus ir instrukcijas ateičiai.

Terminas „elektros įrankis“ įspėjimuose reiškia jūsų iš elektros tinklo (laidais) maitinamus įrankius arba elektros įrankius, veikiančius nuo baterijų (belaizdžius).

1) DARBO VIETOS SAUGUMAS

- a) **Darbo vieta turi būti švari ir tvarkinga.** Netvarka ar blogai apšviesta darbo vieta gali tapti nelaimingų atsitikimų priežastimi.
- b) **Nedirbkite tokioje aplinkoje, kur yra degių skysčių, dujų ar dulkių.** Elektriniai įrankiai gali kibirkščiuoti, o nuo kibirkščių dulkės arba susikaupę garai gali užsidegti.
- c) **Dirbdami su elektriniu įrankiu neleiskite šalia būti žiūrovams, vaikams ir lankytojams.** Nukreipę dėmesį į kitus asmenis galite nebesuvaldyti prietaiso.

2) ELEKTROSAUGA

- a) **Maitinimo laido kištukas turi atitikti tinklo rozetės tipą.** Kištuko jokių būdu negalima modifikuoti. **Nenaudokite jokių kištuko adapterių su įžemintais prietaisais.** Originalūs kištukai, tiksliai tinkantys elektros tinklo rozetei, sumažina elektros smūgio pavojų.
 - b) **Venkite kūno kontakto su įžemintais paviršiais, tokiais kaip vamzdžiai, šildytuvai, viryklės ar šaldytuvai.** Egzistuoja padidinta elektros smūgio rizika, jei Jūsų kūnas bus įžemintas.
 - c) **Saugokite prietaisą nuo lietaus ir drėgmės.** Jei vanduo patenka į elektrinį prietaisą, padidėja elektros smūgio rizika.
 - d) **Nenaudokite maitinimo laido ne pagal paskirtį, t. y. neneškite prietaiso paėmę už laido, nekabinkite prietaiso už laido, netraukite už jo, norėdami išjungti kištuką iš rozetės. Laidą klokite taip, kad jo neveiktų karštis, jis neišsitęptų alyva ir jo nepažeistų aštrios detalės ar judančios prietaiso dalys.** Pažeisti arba susipynę laidai gali tapti elektros smūgio priežastimi.
 - e) **Jei su elektriniu įrankiu dirbate lauke, naudokite tik tokius ilginimo kabelius, kurie tinka lauko darbams.** Naudojant lauko darbams pritaikytus ilginimo kabelius, sumažinamas elektros smūgio pavojus.
 - f) **Jei su elektriniu įrankiu neišvengiamai reikia dirbti drėgnoje aplinkoje, naudokite įžeminimo grandinės pertraukiklį.** Naudojant įžeminimo grandinės pertraukiklį, sumažėja elektros smūgio pavojus.
- #### 3) ŽMONIŲ SAUGA
- a) **Būkite atidūs, sutelkite dėmesį į tai, ką Jūs darote ir, dirbdami su elektriniu įrankiu, vadovaukitės sveiku protu. Nedirbkite su prietaisu, jei esate pavargę arba vartojate narkotikus, alkoholį ar medikamentus.** Akimirksnio neatidumas naudojant prietaisą gali tapti rimtų sužalojimų priežastimi.
 - b) **Naudokite asmenines apsaugos priemones ir visuomet naudokite apsauginius akinius.** Naudojant asmenines apsaugos priemones, pvz., respiratorių ar apsauginę kaukę, neslystančius batus, apsauginį šalną, klausos apsaugos priemones ir kt., rekomenduojamas dirbant su tam tikros rūšies įrankiais, sumažėja rizika susižeisti.
 - c) **Saugokitės, kad neįjungtumėte prietaiso atsitiktinai. Prieš prijungdami elektrinį įrankį prie elektros tinklo ir/arba akumuliatoriaus, prieš pakeldami ar nešdami įsitinkinkite, kad jis yra išjungtas.** Jeigu nešdami elektrinį įrankį pirštą laikysite ant jungiklio arba prietaisą

įjungsite į elektros tinklą, kai jungiklis yra įjungtas, gali įvykti nelaimingas atsitikimas.

- d) **Prieš įjungdami prietaisą pašalinkite reguliavimo įrankius arba veržlių raktus.** Prietaiso besisukančioje dalyje esantis įrankis ar raktas gali tapti sužalojimų priežastimi.
- e) **Nepervertinkite savo galimybių. Dirbdami atsistokite patikimai ir visada išlaikykite pusiausvyrą.** Patikima stovėseną ir tinkamą kūno laikyseną leis geriau kontroliuoti prietaisą netikėtose situacijose.
- f) **Dėvėkite tinkamą aprangą. Nedėvėkite plačių drabužių ir papuošalų. Saugokite plaukus ir drabužius nuo besisukančių elektrinio įrankio dalių.** Laisvus drabužius, papuošalus bei ilgus plaukus gali įtraukti besisukančios dalys.
- g) **Jei yra numatyta galimybė prijungti dulkių nusiurbimo ar surinkimo įrenginius, visada įsitikinkite, ar jie yra prijungti ir ar teisingai naudojami.** Naudojant dulkių nusiurbimo įrenginius sumažėja kenksmingas dulkių poveikis.
- h) **Dažnai naudodami įrankį ir gerai su juo susipažinę pernelyg neatsipalaiduokite ir nepradėkite nepaisyti įrankio saugos principų.** Neatidus veiksmas gali sukelti sunkią traumą per sekundės dalį.
- 4) **RŪPESTINGA ELEKTRINIŲ ĮRANKIŲ PRIEŽIŪRA IR NAUDOJIMAS**
 - a) **Neperkraudkite prietaiso. Naudokite Jūsų darbui tinkamą elektrinį įrankį.** Su tinkamu elektriniu įrankiu Jūs dirbsite geriau ir saugiau, jei neviršysite nurodyto galingumo.
 - b) **Nenaudokite elektrinio įrankio su sugedusiu jungikliu.** Elektrinis įrankis, kurio nebegalima įjungti ar išjungti, yra pavojingas ir jį reikia remontuoti.
 - c) **Prieš reguliuodami prietaisą, keisdami darbo įrankius ar prieš valydami prietaisą, iš elektros tinklo lizdo ištraukite kištuką ir/arba išimkite akumuliatorių, jeigu jis išimamas.** Ši saugumo priemonė apsaugos jus nuo netikėto prietaiso įsijungimo.
 - d) **Nenaudojama prietaisą sandėliuokite vaikams ir nemokantiems juo naudotis asmenims neprieinamoje vietoje.** Elektriniai įrankiai yra pavojingi, kai juos naudoja nepatyrę asmenys.
 - e) **Priziūrėkite elektrinį įrankį ir priedus. Tikrinkite, ar besisukančios prietaiso dalys tinkamai veikia ir niekur nekliūva, ar nėra sulūžusių ar šiaip pažeistų dalių, kurios įtakotų prietaiso veikimą.** Prieš vėl naudojant prietaisą pažeistos prietaiso dalys turi būti suremontuotos. Daugelio nelaimingų atsitikimų priežastis yra blogai priziūrimi elektriniai įrankiai.
 - f) **Pjovimo įrankiai turi būti aštrūs ir švarūs.** Rūpestingai priziūrėti pjovimo įrankiai su aštriomis pjauamosiomis briaunomis mažiau stringa ir juos yra lengviau valdyti.
 - g) **Elektrinį įrankį, papildomą įrangą, darbo įrankius ir t. t. naudokite taip, kaip nurodyta šioje instrukcijoje. Taip pat atsižvelkite į darbo sąlygas bei atliekamo darbo pobūdį.** Naudojant elektrinius įrankius ne pagal jų paskirtį galima sukelti pavojingas situacijas.
 - h) **Rankenos ir suėmimo paviršiai turi būti sausi, švarūs, ant jų neturi būti alyvos ir tepalų.** Dėl slidžių rankenų ir suėmimo paviršių negalėsite saugiai išlaikyti ir suvaldyti įrankio netikėtose situacijose.

5) APTARNAVIMAS

- a) **Prietaisą turi remontuoti tik kvalifikuotas specialistas ir naudoti tik originalias atsargines dalis.** Taip galima garantuoti, jog prietaisas išliks saugus.

DARBŲ SAUGOS NUORODOS DIRBANTIEMS SU MAIŠYTVUVAIS

- a) **Įrankį už jo rankenų laikykite abiem rankomis.** Praradus kontrolę kyla pavojus susižeisti.
- b) **Jei maišote degiąsias medžiagas, užtikrinkite pakankamą vėdinimą, kad nesusidarytų pavojinga atmosfera.** Kyla pavojus susidariusių garų įkvėpti arba juos uždegti variklinio įrankio keliamomis kibirkštimis.
- c) **Maišto nemaišykite.** Varikliniai įrankiai ir jų priedai nėra skirti maistui gaminti.
- d) **Žiūrėkite, kad maitinimo laido nebūtų darbo zonoje.** Kyla pavojus, kad maišytuvo mentė įsuks maitinimo laidą.
- e) **Maišymo indą statykite ant tvirto pagrindo ir įtvirtinkite.** Jei indas nebus tinkamai įtvirtintas, jis gali staiga pasislinkti.
- f) **Žiūrėkite, kad ant variklinio įrankio korpuso neužtikštų skysčio.** Į variklinio įrankio vidų įsiskverbęs skystis gali padaryti žalos ir sukelti pavojų nukentėti nuo elektros smūgio.
- g) **Laikykites su maišoma medžiaga pateikiamų nurodymų ir įspėjimų.** Maišoma medžiaga gali būti kenksminga.
- h) **Jie variklinis įrankis įkristų į maišomą medžiagą, tuoj pat atjunkite maitinimo laido kištuką ir nuneškite variklinį įrankį kvalifikuotam remonto meistriui, kad patikrintų.** Jei įrankį iš kibiro ištraukti bandysite, kol įrankis neatjungtas nuo elektros tinklo, kilns pavojus nukentėti nuo elektros smūgio.
- i) **Kol medžiaga maišoma, į maišymo indą neikiškite rankų ar kokių nors daiktų.** Jei prisiliesite prie maišytuvo mentės, kilns pavojus sunkiai susižeisti.
- j) **Įrankį paleiskite tik maišymo inde ir jam sukantis iš indo neištraukite.** Maišytuvo mentė gali sulinkti arba sukintis neprognozuojamai.

PAPILDOMOS SAUGOS NUORODOS

- Visada patikrinkite, ar elektros tinklo įtampa sutampa su įtampos dydžiu, nurodytu prietaiso vardinėje lentelėje
 - Niekada nenaudokite įrankio, jei laidas pažeistas; jį reikia pakeisti specialiu laidu remonto įmonėje.
 - Prietaisą naudoti sprogioje aplinkoje ar netoli jos draudžiama
 - Maišyti degias medžiagas draudžiama
 - Užsidėkite apsauginius pirštines, apsauginę kaukę, priglundusius drabužius ir tvirtus batus
 - Darbo metu triukšmo lygis gali viršyti 85 dB(A); **naudoti klausos apsaugos priemones**
 - SKIL gali garantuoti nepriekaištingą prietaiso veikimą tik tuo atveju, jei naudojama originali papildoma įranga ir priedai
 - **Maišytuvo mentės ilgiklį nenaudokite**
 - **Prieš reguliuojant prietaisą arba keičiant darbo įrankius, ištraukite kištuką iš el. tinklo lizdo**
- ### ANT PRIETAISO ESANČIŲ SIMBOLIŲ REIKŠMĖS
- ③ Prieš naudodami įrankį perskaitykite instrukcijų vadovą
 - ④ Dviguba izoliacija (įžeminimo laido nereikia)
 - ⑤ Nemeskite elektrinių įrankių ir baterijos į buitinių atliekų konteinerius

NAUDOJIMAS

- Įjungimas/išjungimas ⑥
 - ! **užstrigus grąžtui dėl prietaiso sukimo momento atsiranda reakcijos įgėjos; todėl dirbdami visada tvirtai laikykite prietaisą abejomis rankomis bei patikrinkite stovėkmai**
- Greičio reguliavimas, švelniai pradėdant grėžimą ⑦
- Apsauginis rėmas ⑧
 - skirtas prietaisą apsaugoti
 - skirtas prietaisą valdyti
 - skirtas prietaisą nesunkiai patraukti į šoną
 - pritaisykite apsauginį rėmą C prieš naudodamiesi prietaisu pirma sykį
 - ! **naudoti prietaisą be apsauginio rėmo draudžiama**
- Prietaiso naudojimas
 - ! **ištikinkite, kad prietaisas yra išjungtas**
 - pritaisykite maišymo mentę D prie veleno E taip, kaip parodyta paveikslėlyje ⑨
 - Įjunkite kištuką į el. tinklo rozetę
 - patikrinkite, ar maišymo talpa tvirtai pastatyta ant grindų
 - kiškite maišymo mentę į maišomą medžiagą **prieš įjungdami prietaisą**, tada palaipsniui didinkite maišymo greitį labiau spausdami jungiklį (taip, kad medžiaga nesitaškytų ir prietaisas nebūtų perkrautas)
 - ! **išjunkite prietaisą tik tada, kai maišymo mentė yra maišymo talpoje**
- Prietaiso laikymas ir valdymas ⑩
 - ! **dirbdami laikykite prietaisą už pilkos spalvos suėmimo vietos(-ų)**
 - ! **visuomet tvirtai laikykite prietaisą abiem rankomis**

PRIEŽIŪRA / SERVISAS

- Šis įrankis neskirtas profesionaliam naudojimui
- Periodiškai valykite prietaisą ir kabelį (ypač ventiliacines angas)
 - baigę maišymo darbus, visada išvalykite maišytuvą ir jos darbinę dalis
 - variu sausu medžiaginiu audiniu nuvalykite prietaisą (nenaudokite valymo priemonių ar tirpiklių)
 - reguliariai valykite vėdinimo angas F ② šepetuku ar suslėgtu oru
 - ! **prieš valydami ištraukite kištuką iš elektros tinklo lizdo**
- Jeigu prietaisas, nepaisant gamykloje atliktamo kruopštaus gamybos ir kontrolės proceso, vis dėlto sugestų, jo remontas turi būti atliekamas įgaliotoje SKIL elektrinių įrankių remonto dirbtuvėse
 - **neišardyta** prietaisą kartu su pirkimo čekiu siųskite tiekėjui arba į artimiausią SKIL firmos įgaliotą elektros prietaisų techninio aptarnavimo tarnybą (adresus bei atsarginių dalių brėžinius rasite www.skil.com)
- Nepamirškite, kad įrankio sugedus dėl perkrovos arba netinkamo naudojimo, garantija netaikoma (SKIL garantijos sąlygų ieškokite www.skil.com arba teiraukitės pardavėjo)

APLINKOSAUGA

- **Nemeskite elektrinių įrankių, baterijos, papildomos įrangos ir pakuotės į buitinių atliekų konteinerius**

(galioja tik ES valstybėms)

- pagal ES Direktyvą 2012/19/EG dėl naudotų elektrinių ir elektroninių prietaisų atliekų utilizavimo ir pagal vietinius valstybės įstatymus atitarnavę elektriniai įrankiai turi būti surenkami atskirai ir gabunami į antrinių žaliavų tvarkymo vietas, kur jie turi būti sunaikinami ar perdirbami aplinkai nekenksmingu būdu
- apie tai primins simbolis ⑤, kai reikės išmesti atitarnavusį prietaisą

TRIUKŠMINGUMAS / VIBRACIJA

- Šio prietaiso triukšmingumas buvo išmatuotas pagal EN 62841 reikalavimus; keliamo triukšmo garso slėgio lygis siekia 83 dB(A) ir akustinio galingumo lygis 94 dB(A) (standartinis nuokrypis: 3 dB), ir vibracijos 3,3 m/s² (trijų krypčių atstojamasis vektorius; paklaida K = 1,5 m/s²)
- Vibracijos sklaidos lygis išmatuotas pagal standarte EN 62841 išdėstyti standartizuoto bandymo reikalavimus; ši vertė gali būti naudojama vienam įrankiui palyginti su kitu bei išankstiniam vibracijos poveikiui įvertinti, kai įrankis naudojamas paminėtais būdais
 - naudojant įrankį kitokiais būdais arba su kitokiais bei netinkamai prižiūrimais priedais, gali žymiai **padidėti** poveikio lygis
 - laikotarpiams, kai įrankis išjungtas arba yra įjungtas, tačiau juo nedirbama, gali žymiai **sumažėti** poveikio lygis
- ! **apsisaugokite nuo vibracijos poveikio prižiūrėdami įrankį ir jo priedus, laikydami rankas šiltai ir derindami darbo ciklus su pertraukėlėmis**

MK

Мешалка

1608

УПАТСТВО

- Електронската мешалка е наменета за полесно и поедноставно мешање на материјал
- Со разните крилца за мешање, може да се мешаат разни супстанции (разни видови на цемент, градежни лепаци, бои, глет смеси, бетон итн.)
- Препорачаниот обем за мешање зависи од видот и состојбата на супстанцијата која се меша
- Не мешајте истовремено повеќе од 40 литри од супстанцијата
- Овој алат не е наменет за професионална употреба
- Внимателно прочитајте го и зачувајте го ова упатство за ракување ③

ТЕХНИЧКИ ПОДАТОЦИ ①

ЕЛЕМЕНТИ НА АЛАТОТ ②

- A** Прекинувач за вклучување/исклучување и контрола на брзината
- B** Копче за блокирање на прекинувачот
- C** Заштитна рамка
- D** Лопатка за мешалка
- E** Осовина
- F** Отвори за вентилација
- G** Клуч (2)
- H** Хексагонален клуч

БЕЗБЕДНОСТ

ОПШТИ ПРЕДУПРЕДУВАЊА ЗА БЕЗБЕДНОСТ НА ЕЛЕКТРИЧНИТЕ АЛАТИ

⚠ ПРЕДУПРЕДУВАЊЕ Прочитајте ги сите безбедносни предупредувања, упатства, слики и спецификации што се обезбедуваат со овој алат. Непочитувањето на сите упатства подолу може да доведе до електричен удар, пожар и/или сериозна повреда..

Чувајте ги сите предупредувања и упатства за понатамошно упатување.

Поимот “електричен алат”, кој се користи во понатамошниот текст, се однесува на вашиот електричен алат (со приклучен кабел) и на електрични алати со погон на батерии (без приклучен кабел).

1) БЕЗБЕДНОСТ НА РАБОТНОТО МЕСТО

- Одржувајте го вашето работно место чисто и уредно.** Неуреден или темен работен простор може да предизвикаат незгоди.
- Немојте да работите со уредот во средина во која има опасност од експлозија, во која има запаливи течности, гасови и прашина.** Електричните алати произведуваат искри кои можат да запалат прашина или пареа.
- За време на употребата на електричниот алат, децата и останатите лица држете ги подалеку од местото наде работите.** Одвраќање, би можеле да изгубите контрола врз уредот.

2) ЕЛЕКТРИЧНА СИГУРНОСТ

- Утинач мора да одговара на приклучокот. Никане не смее да се прават измени на штекерот. Не користете адаптерски штекер заедно со уредот кој е заштитно заземјен.** Не променети штекери и соодветни приклучоци го намалуваат ризикот од електричен удар.
- Избегнувајте допир на телото со заземјени површини, како што се цевки, радијатори, рерни и фрижидери.** Постои зголемена опасност од струен удар, доколку Вашето тело е заземјено.
- Чувајте го уредот подалеку од дожд и влага.** Продирањето на вода во електричниот уред ја зголемува опасноста од струен удар.
- Не злоупотребувајте го приклучниот кабел за носење, бесење на уредот или за извлекување на штекерот од мрежниот приклучок. Чувајте го кабелот подалеку од топлина, масло, остри рабови или деловите на апаратот кои се движат.** Оштетени или заплеткани кабли ја зголемуваат опасноста од струен удар.
- Кога го употребувате полначот надвор, користете продолжен кабел кој е соодветен за употреба на отворен простор.** Примената на продолжен кабел соодветен за работа на отворен простор ја намалува опасноста од струен удар.
- Доколку не може да се избегне работа со електричниот алат во влажна средина, користете прекинувач за струјна заштита при технички проблеми.** Употребата на прекинувачот за струјна заштита при технички проблеми го намалува ризикот од електричен удар.

3) ЛИЧНА ЗАШТИТА

- Бидете внимателни, внимавајте што правите и постапувајте внимателно додека работите со електричниот алат. Не работете со уредот доколку сте уморни или под дејство на дрога, алкохол или лекови.** Еден момент на невнимание при употребата може да доведе до сериозни повреди.
 - Носете ја личната заштитна опрема и секогаш носете заштитни очила.** Носењето на личната заштитна опрема, како што е маската за прашина, безбедносната облека која не се лизга, заштитен шлем или штитник за слух, зависно од видот и примената на електричниот алат, ја намалува опасноста од повреда.
 - Избегнувајте невнимателно вклучување за време на работата. Осигурајте се прекинувачот да биде во “OFF” позиција пред да го ставите штекерот во приклучокот.** Доколку го носите електричниот алат со прстот на прекинувачот или го приклучувате апаратот кој е приклучен со напојување на струја, може да предизвикате незгоди.
 - Пред вклучување на уредот, тргнете ги алатите за подесување или клучот за навртување.** Алатот или клучот кој се наоѓа во вртливиот дел на уредот, може да предизвика незгода.
 - Не ги преценувајте своите способности. Завземете сигурен и стабилен став и во секој момент одржувајте рамнотежа.** На тој начин можете подобро да го контролирате уредот во неочекувани ситуации.
 - Носете соодветна облека. Не носете широка облека или накит. Носата и алиштата треба да бидат подалеку од подвижните делови.** Широката облека, накитот или долгата коса може да се закачат за подвижните делови.
 - Доколку може да се монтираат направи за вшмукување и фаќање прашина, проверете дали се вклучени и дали можат исправно да се користат.** Примената на овие направи ја намалува опасноста од прашината.
 - Не дозволувајте искуството стенното со честа употреба на алатите да ве направи спокојни и да ги игнорирате безбедносните принципи при неговото користење.** Невнимателно движење може да предизвика сериозни повреди во дел од секунда.
- ### 4) ВНИМАТЕЛНА УПОТРЕБА И РАКУВАЊЕ СО ЕЛЕКТРИЧНИТЕ АЛАТИ
- Не го преоптеретувајте уредот.** При вашата работа користете го предвидениот електричен алат за таа употреба. Со соодветниот електричен алат ќе работите подобро и посигурно во наведената функционална област.
 - Не користете електричен алат чиј прекинувач е неисправен.** Електричниот алат кој повеќе не може да се вклучува и исклучува е опасен и мора да се поправи.
 - Исклучете го електричниот алат од струја и/или извадете го комплетот со батерии, ако се одделува, пред да правите неканки прилагодувања, менувате дополнителна опрема или да го складирате електричниот алат.** Со овие мерки на внимателност ќе се избегне невнимателното вклучување на уредот.

- d) Тргнете го електричниот алат кој не го користите од допирот на децата. Не допуштајте работа со уредот на лица кои не се запознаени со него или кои го немаат прочитано ова упатство. Електричните алати се опасни доколку со нив работат неискусни лица.
- e) **Одржувајте го електричниот алат и дополнителната опрема.** Имајте контрола околу тоа дали движечните делови на уредот работат беспрекорно и дали не се заглавени, дали деловите се скршени или оштетени до таа мерка што не може да се обезбеди функционирање на уредот. Пред примената, овие оштетени делови треба да се поправат. Причина за многу незгоди е лошо одржуваниот електричен алат.
- f) **Алатите за сечење одржувајте ги остри и чисти.** Внимателно одржуваните алати за сечење со остри очтрици помалку ќе се заглавуваат и со нив работата ќе биде полесна.
- g) **Електричниот алат, прибор, работни алати итн., треба да ги користите според цели упатства, и на начин кој е опишан за соодветниот тип на уред.** При тоа, земете ги предвид работните услови и работата која се извршува. Употребата на електричните алати за други цели кои не се предвидени, може да предизвика опасни ситуации.
- h) **Рачките и површините за држење одржувајте ги суви, чисти и неизмастени.** Рачките и површините за држење што се лизгаат не овозможуваат безбедно ракување и контрола на алатот во неочекувани ситуации.
- 5) **СЕРВИСИРАЊЕ**
- a) **Електричниот алат сервисирајте го кај квалификувано лице кое користи само идентични резервни делови.** Со ова се обезбедува безбедно одржување на електричниот алат.

БЕЗБЕДНОСНИ УПАТСТВА ЗА МЕШАЛКИ

- a) **Држете ја алатката со двете раце за наменетите рачки.** Губењето контрола може да предизвика лична повреда.
- b) **Обезбедете доволно вентилација при мешање запаливи материјали за да избегнете опасна атмосфера.** Пареата што се развива може да се вдише или да се запали од искрите што ги произведува електричниот алат.
- c) **Не мешајте храна.** Електричните алати и нивните додатоци не се дизајнирани за преработка на храна.
- d) **Држете го кабелот подалеку од работната површина.** Кабелот може да се заплетка со лопатката на мешалката.
- e) **Осигурите се дека садот за мешање е поставен во цврста и безбедна положба.** Сад кој не е правилно прицврстен може да се придвижи неочекувано.
- f) **Осигурите се дека нема прскање на течност врз нујштите на електричниот алат.** Течност што навлегла во електричниот алат може да предизвика оштетување и да доведе до електричен удар.
- g) **Следете ги упатствата и предупредувањата за материјалот што треба да се меша.** Материјалот што треба да се меша може да биде штетен.

- h) **Ано електричниот алат падне во материјалот што треба да се меша, веднаш исклучете го алатот од струја и обезбедете квалификувано лице да го провери електричниот алат.** Посегнувањето во кофата со алатот сè уште вклучен може да доведе до електричен удар.
- i) **Не посегнувајте со рацете во садот за мешање и не ставајте други предмети во него додека мешате.** Контактот со лопатката на мешалката може да доведе до сериозни лични повреди.
- j) **Стартувајте и спуштајте ја алатката само во садот за мешање.** Лопатката на мешалката може да се свитка или да се врти на неконтролиран начин.

ДОПОЛНИТЕЛНИ БЕЗБЕДНОСНИ ПРЕДУПРЕДУВАЊА

- Секогаш проверувајте напонот да е ист со оној кој е назначен на плочката на алатот
- Никогаш не користете го алатот кога кабелот е оштетен; тој мора да се замени со специјално подготвен кабел достапен преку организацијата на услуги.
- Никогаш не користете го алатот во или во близина на експлозивна атмосфера
- Никогаш не мешајте експлозивни супстанции
- Носете заштитни ракавици, заштитна маска, тесни алишта и цврсти чевли
- Нивото на бучава додека работите може да изнесува повеќе од 85 dB(A); **носете заштита за ушите**
- SKIL може да признае гаранција само доколку е користен оригинален прибор
- **Не користете продолжетоци на лопатка на мешалката**
- **Обезбедете се алатот да е исклучен од струја пред да вршите било какво подесување или замена на приборот**

ОБЈАСНУВАЊЕ ЗА СИМБОЛИТЕ ЗА АЛАТОТ

- ③ Пред употреба прочитајте го прирачникот за употреба
- ④ Двојна изолација (не е потребна заземна жица)
- ⑤ Не се ослободувајте од електрични алати и батерии во домашниот отпад

УПОТРЕБА

- Вклучено/Исклучено ⑥
- **внимавајте на силите кои се јавуваат нао резултат на заглавување; држете го алатот цврсто, со двете раци и завземете безбедна положба**
- Закочување на прекинувачот за лесен старт ⑦
- Заштитна рамка ⑧
 - за заштита на алатот
 - за наведување на алатот
 - за складирање на алатот на едноставен начин
 - монтирајте ја заштитната рамка С пред користење на алатот по прв пат
- **никогаш не користете го алатот без заштитната рамка**
- Работа со алатот
 - **! проверете дали алатот е исклучен**
 - поставете ја лопатката за мешање D на осовината E како што е посочено на сликата ⑨
 - вклучете го штекерот во извор на струја
 - осигурајте се контејнерот за мешање да е безбедно позициониран на подот

- ставете ја лопатката за мешање во супстанцијата која сакате да ја мешате **пред да го вклучите алатот**, а потоа постепено зголемувајте ја брзината на мешањето со додавање притисок на копчето (така што супстанцијата нема да се разлетува наоколу и алатот нема да се преоптовари)
- ! **исклучете го алатот само кога лопатката за мешање се наоѓа во нонтејнерот за мешање**
- Држење и насочување на алатот ⁽¹⁰⁾
- ! **додена работите, сенокаш држете го алатот за местото (местата) кое (кои) се означени со сива боја**
- ! **сенокаш држете го алатот цврсто со двете раце**

ОДРЖУВАЊЕ/СЕРВИСИРАЊЕ

- Овој алат не е наменет за професионална употреба
- Алатот и кабелот сенокаш да се одржуваат чисти (особено отворите за ладење)
 - по мешање, сенокаш чистете ја мешалката и деловите
 - чистете го алатот со сува, мека ткаенина (не користете средства за чистење или растворувачи)
 - чистете ги отворите за вентилација F ⁽²⁾ редовно, со четка или компресиран воздух
- ! **пред чистење извадете го алатот од приклучокот**
- Доколку алатот и покрај внимателното работење и контрола некогаш откаже, поправката мора да ја изврши некој овластен SKIL сервис за електрични алати
 - во случај на примедба, испратете го алатот **нерасклопен**, заедно со сметкопотврдата, до вашиот продавач или најблискиот SKIL сервис (адресите се наведени на www.skil.com)
- Имајте предвид дека оштетувањето настанато заради преоптоварување или неправилно ракување со алатот ја отфрла гаранцијата (видете на www.skil.com или прашајте го продавачот за условите на гаранцијата на SKIL)

ЗАШТИТА НА ЖИВОТНАТА СРЕДИНА

- **Не се ослободувајте од електрични алати, батерии, уреди или амбалажа преку нивно фрлање во домашното губре** (само за земјите на ЕУ)
 - според Европската Директива 2012/19/ЕС за ослободување од електрична и електронска опрема и нејзина имплементација во согласност со националните закони, електричните алати кои го достигнале крајот на својот животен век мора да бидат собрани посебно и да бидат вратени во соодветен објект за рециклирање
 - симболот ⁽⁵⁾ ќе ве потсетува на ова кога ќе дојде време алатот да го фрлите

БУЧАВА / ВИБРАЦИИ

- Мерено во согласност со EN 62841 нивото на звучен притисок е 83 dB(A) а нивото на звучна моќност 94 dB(A) (стандардно отстапување: 3 dB), и вибрација 3,3 m/c² (векторски збир на трите показатели; несигурност K = 1.5 m/c²)
- Нивото на емитување на вибрации кое е наведено на задниот дел на ова упатство е измерено во

согласност со стандардизиранiot тест даден во EN 62841; може да се користи за да се спореди еден алат со друг, и како првична оценка за изложеноста на вибрации кога се користи алатот за споменатите примени

- користењето на алатот за разни примени, или со различни или неправилно чувани делови, може да доведе до значајно **зголемување** на нивото на изложеност
- кога алатот е исклучен или кога алатот е вклучен но не врши некаква работа, може да дојде до значително **намалување** на нивото а изложеност
- ! **заштитете се од ефектите на вибрациите преку одржување на алатот и неговите делови, одржување на топлината во вашите раце, и организирање на вашата работа**

AL

Пѐрzierēsì

1608

HYRJJE

- Ky përzierës elektronik është i projektuar për përzierjen e lehtë dhe të thjeshtë të substancave
- Me fletët e tij të ndryshme, mund të përzieni një larmi substancash (lloje të ndryshme të përzierjeve të çimentos, ngjitëse për ndërtim, bojëra, përbërje për nivelime, lustrime, llaç të thatë, etj.)
- Vëllimi i rekomanduar i përzierjes varet nga lloji dhe gjendja e substancës që do të përzihet, si dhe llojin e fletëve që do të përdoren
- Mos përzieni më shumë se 40 litra të një substance menjëherë
- Kjo vegël nuk është e projektuar për përdorim profesional
- Lexoni dhe ruani këtë manual të përdorimit ⁽³⁾

TË DHËNAT TEKNIKE ⁽¹⁾

ELEMENTET E VEGËL ⁽²⁾

- A Çelësi për ndezje/fikje dhe kontrolli i shpejtësisë
- B Butoni për bllokimin e çelësit
- C Struktura mbrojtëse
- D Fleta e përzierjes
- E Boshti rrotullues
- F Të çarat e ajrosjes
- G Çelësi (2)
- H Çelësi heksagonal

SIGURIA

PARALAJMËRIME TË PËRGJITHSHME TË SIGURISË PËR PAJISJET ELEKTRIKE

⚠ PARALAJMËRIM: Lexoni të gjitha paralajmërimet, udhëzimet, ilustrimet dhe specifikimet e dhëna me këtë mjet pune. Mosrespektimi i të gjitha udhëzimeve të renditura më poshtë mund të rezultojë në goditje elektrike, zjarr dhe/ose dëmtime të rënda.

Ruani të gjitha paralajmërimet dhe udhëzimet për referencë në të ardhmen.

Termi "pajisje elektrike" në paragrafë të mëtejshme referohet pajisjes elektrike që përdoret nga priza (me kablo) ose pajisjes elektrike me bateri (pa kablo).

1) SIGURIA E ZONËS SË PUNËS

- a) **Mbajeni zonën e punës të pastër dhe të ndriçuar mirë.** Zonat e çrregullta ose të errëta janë një ftesë për aksidente.
- b) **Mos i përdorni pajisjet elektrike në situata me mundësi shpërthimi, si në prani të lëngjeve, gazeve ose pluhurave të djegshëm.** Pajisjet elektrike shkaktojnë shkëndija që mund të ndezin pluhurat ose avujt.
- c) **Mbajini fëmijët dhe personat e tjerë larg gjatë përdorimit të veglës së punës.** Tërheqja e vëmendjes mund të shkaktojë humbjen e kontrollit.

2) SIGURIA ELEKTRIKE

- a) **Spinat e veglës së punës duhet të përputhen me prizën. Mos modifikoni kurrë spinën në asnjë mënyrë. Mos përdorni asnjë spinë përshtatëse me veglat e punës me tokëzim.** Spinat e pamodifikuara dhe prizat përshtatëse do të zvogëlojnë rrezikun e goditjes elektrike.
- b) **Shmangni kontaktin trupor me sipërfaqe të tokëzuara si tuba, radiatorë, soba dhe frigoriferë.** Ka një rrezik më të madh të goditjeve elektrike nëse trupi është i tokëzuar.
- c) **Mos ekspozoni veglat e punës në shi ose në kushte me lagështi.** Uji që hyn në veglën e punës do të rritë rrezikun e goditjes elektrike.
- d) **Mos abuzoni me kordonin. Mos e përdorni kurrë kordonin për transportin, tërheqjen ose heqjen e spinës së veglës së punës.** Mbajeni kordonin larg nga nxehtësia, vaji, anët e mprehta ose pjesët që lëvizin. Kordonët e dëmtuar ose e bllokuar rrisin rrezikun e goditjes elektrike.
- e) **Kur përdorni një vegël pune në mjedise të jashtme, përdorni një kordon zgjatës të përshtatshëm për përdorim në mjedise të jashtme.** Përdorimi i një kordonit të përshtatshëm për përdorime në mjedise të jashtme zvogëlon rrezikun e goditjes elektrike.
- f) **Nëse përdorimi i veglës së punës në një vend me lagështi është i pashmangshëm, përdorni një automat qarku me shkarkesë me tokëzim.** Përdorimi i një automati me shkarkesë me tokëzim zvogëlon rrezikun e goditjes elektrike.

3) SIGURIA PERSONALE

- a) **Qëndroni në gatishmëri, shikoni se çfarë do bëni dhe përdorni gjykimin kur përdorni një vegël pune.** Mos e përdorni një vegël pune kur jeni i lodhur ose nën ndikimin e ilaçeve, alkoolit ose mjekimit. Një moment humbje e vëmendjes gjatë përdorimit të veglave të punës mund të shkaktojë dëmtime të rënda personale.
- b) **Përdorni pajisje personale mbrojtëse. Mbani gjithmonë pajisje për mbrojtjen e syve.** Pajisjet mbrojtëse si maska kundër pluhurit, këpuçet që nuk rrëshqasin, kaskat ose pajisjet për mbrojtjen e veshëve për kushtet përkatëse do të zvogëlojnë dëmtimet personale.
- c) **Parandaloni ndezjen e rastësishme. Sigurohuni që çelësi është në pozicionin fikur para se të lidhni burimin e energjisë dhe/ose baterinë, para se të merrni ose të transportoni pajisjen.** Transportimi i veglave të punës me gishtin në çelës ose aktivizimi i

veglave të punës që kanë çelësin të ndezur është një ftesë për aksidente.

- d) **Hiqni çdo çelës ose çelës përshtatës para ndezjes së veglës së punës.** Një çelës i lënë i lidhur me një pjesë rrotulluese të veglës së punës mund të shkaktojë dëmtime personale.
 - e) **Mos u zgjasni. Mbani një vendosje të mirë të këmbëve dhe një ekuilibër të mirë në çdo moment.** Kjo gjë bën të mundur një kontroll më të mirë të veglës së punës në situata të papritura.
 - f) **Vishuni në mënyrën e duhur. Mos vishni veshje të gjera ose bizhuteri. Mbani flokët, veshjet dhe dorashkat larg nga pjesët lëvizëse.** Veshjet e gjera, bizhuteritë ose flokët e gjatë mund të kapen nga pjesët në lëvizje.
 - g) **Nëse janë ofruar pajisje për lidhjen e pajisjeve të mbledhjes dhe nxjerrjes së pluhurave, sigurohuni që ato të jenë të lidhura dhe të përdoren si duhet.** Përdorimi i mbledhjes së pluhurave mund të zvogëlojë rrezikun në lidhje me pluhurat.
 - h) **Mos lejoni që familjarizimi i fituar nga përdorimi i shpeshtë i veglave t'ju lejojë të tregoheni të vetëkënaqur dhe të shpërfillni parimet e sigurisë për pajisjet.** Një veprim i pakujdesshëm mund të shkaktojë dëmtime të rënda në më pak se një sekondë.
- ## 4) PËRDORIMI DHE KUJDESI PËR VEGLËN E PUNËS
- a) **Mos ushtroni forcë mbi veglën e punës.** Përdorni veglën e punës të duhur për përdorimin tuaj. Vegla e punës e duhur do të realizojë një punë më të mirë dhe më të sigurt dhe me shpejtësinë që ajo është e projektuar.
 - b) **Mos përdorni veglën e punës nëse çelësi nuk e ndez apo e fik.** Çdo vegël pune që nuk mund të kontrollohet me anë të çelësit është e rrezikshme dhe duhet të riparohet.
 - c) **Shkëputni spinën nga burimi i energjisë dhe/ose baterinë nga vegla e punës para se të bëni rregullime të tjera, të ndryshoni aksesorët ose të ruani veglat e punës.** Këto masa parandaluese të sigurisë ulin rrezikun e ndezjes aksidentale të veglës së punës.
 - d) **Mbani veglat e punës larg fëmijëve dhe mos lejoni personat e pamësuar me veglën e punës ose këto udhëzime për përdorimin e pajisjes.** Veglat e punës janë të rrezikshme në duart e përdoruesve të patrajnuar.
 - e) **Mirëmbani veglat e punës. Kontrolloni për mospërshtatje ose bllokim të pjesëve lëvizëse, thyerje të pjesëve që gjenden të tjera që mund të ndikojnë në funksionimin e veglës së punës.** Nëse dëmtohet, riparoheni veglën e punës para përdorimit. Shumë aksidente shkaktohen nga veglat e punës jo të mirëmbajtura si duhet.
 - f) **Mbajini pajisjet prerëse të pastra dhe të mprehta.** Pajisjet e prerjes të mirëmbajtura dhe me anë të mprehta kanë më pak mundësi për t'u bllokuar dhe janë më të lehta për t'u kontrolluar.
 - g) **Përdorni veglat e punës, aksesorët dhe puntot, etj. në përputhje me këto udhëzime, duke marrë parasysh kushtet e punës dhe punën që do të kryhet.** Përdorimi i veglave për përdorime të ndryshme nga ato të përcaktuara mund të shkaktojë rreziqe.
 - h) **Mbajini dorezat dhe sipërfaqet tu mbaheni të thata, të pastra dhe pa vajra ose graso.** Dorezat dhe

sipërfaqet ku mbaheni, kur janë të rëshqitshme, nuk ju lejojnë ta menaxhoni dhe ta kontrolloni në mënyrë të sigurt pajisjen në situata të papritura.

5) SHËRBIMI

- a) **Shërbimi i veglës së punës duhet të kryhet nga një person i kualifikuar për riparimet duke përdorur vetëm pjesë ndërrimi identike.** Kjo gjë do të sigurojë ruajtjen e sigurisë së veglave të punës.

UDHËZIMET E SIGURISË PËR PËRZIERËSIT

- a) **Mbajeni veglën me të dyja duart në dorezat e përcaktuara.** Humbja e kontrollit mund të shkaktojë lëndime.
- b) **Sigurohni një ajrim të mjaftueshëm kur përzieni materiale të djegshme për të shmangur një atmosferë të rrezikshme.** Avujt e krijuar mund të thithen me anë të frymëmarrjes ose mund të ndizen nga shkëndijat që krijojnë vegla elektrike.
- c) **Mos përzieni ushqime.** Veglat elektrike dhe aksesoret e tyre nuk janë planifikuar për përpunimin e ushqimeve.
- d) **Mbajeni kordonin larg nga zona e punës.** Kordoni mund të ngatërrohet me lopatëzën e përzierjes.
- e) **Sigurohuni që kontejneri i përzierjes të jetë vendosur në një pozicion të sigurt dhe të qëndrueshëm.** Një kontejner që nuk është siguruar si duhet, mund të lëvizë papritur.
- f) **Sigurohuni që të mos bien lëngje të spërkatura mbi kasën e veglës elektrike.** Lëngjet që depërtojnë në veglën elektrike mund të shkaktojnë dëmtime dhe goditje elektrike.
- g) **Ndizni udhëzimet dhe paralajmërimet për materialet që do të përzieni.** Materialet që do të përzieni mund të jenë të dëmshme.
- h) **Nëse vegla elektrike bie në materialet që do të përzieni, hiqeni menjëherë veglën nga priza dhe kontrolloni nga një person i kualifikuar për riparimet.** Afrimi te kova me veglën akoma në prizë mund të shkaktojë goditje elektrike.
- i) **Mos e prekni kontejnerin e përzierjes me duar dhe mos futni objekte të tjera në të gjatë përzierjes.** Kontakti me lopatëzën e përzierjes mund të shkaktojë lëndime të rënda personale.
- j) **Ndizen dhe përdoren veglën vetëm në kontejnerin e përzierjes.** Lopatëza e përzierjes mund të përkulet ose të rrotullohet në një mënyrë të pakontrolluar.

PARALAJMËRIMET SHITESË PËR SIGURINË

- Kontrolloni gjithmonë që voltazhi i energjisë është i njëjtë me voltazhin e treguar në etiketën e veglës
- Asnjëherë mos e përdorni mjetin kur kordoni është dëmtuar; ai duhet të ndërrohet me një kordon të përgatitur në mënyrë të veçantë përmes organizatës së shërbimit.
- Mos e përdorni kurrë veglën në ose në afërsi të një ambienti me mundësi shpërthimi
- Mos përzieni kurrë substanca të djegshme
- Mbani doreza mbrojtëse, një maskë për pluhurat, rroba të ngushta dhe këpucë të forta
- Niveli i zhurmës gjatë punës mund të kalojë 85 dB(A); **mbani pajisje për mbrojtjen e veshëve**
- SKIL mund të garantojë funksionimin pa probleme të veglës vetëm kur përdoren aksesoret origjinalë
- **Mos përdorni zgjatues të lopatëzës së përzierjes**

- **Shkëputni gjithmonë spinën nga burimi i energjisë para kryerjes së rregulimeve ose ndryshimeve të aksesoreve**

SHPJEGIMI I SIMBOLEVE NË VEGËL

- ③ Lexoni manualin e udhëzimeve para përdorimit
- ④ Izolimi i dyfishtë (nuk kërkohet tokëzim)
- ⑤ Mos i hidhni veglat elektrike dhe bateritë së bashku me materialet e mbeturinave familjare

PËRDORIMI


- Ndezje/Fikje ⑥
 - ! **kini parasysh forcat që ndodhin si rezultat i bllokimit; mbajeni veglën fort me të dyja duart dhe qëndroni në mënyrë të sigurt**
- Kontrolli i shpejtësisë për ndezjen e butë ⑦
- Struktura mbrojtëse ⑧
 - për mbrojtjen e veglës
 - për drejtimin e veglës
 - për uljen e veglës me lehtësi kur nuk është në punë
 - montoni strukturën mbrojtëse C para përdorimit të veglës për herë të parë
 - ! **mos e përdorni kurrë veglën pa strukturën mbrojtëse**
- Funksionimi i veglës
 - ! **sigurohuni që vegla të jetë e fikur**
 - montoni fletët e përzierjes D në boshtin rrotullues E si në ilustrim ⑨
 - lidhni spinën me burimin e energjisë
 - sigurohuni që kontejneri i përzierjes është i vendosur në mënyrë të sigurt në dyshe
 - zhyni helikën e përzierjes në substancën përkatëse **para se ta ndizni veglën**, dhe më pas rritni gradualisht shpejtësinë e përzierjes duke ushtruar më shumë trysni mbi çelësin (në mënyrë që substanca të mos spërkatet rreth e rrotull dhe që pajisja të mos mbingarkohet)
 - ! **fikni veglën vetëm kur fletët e përzierjes të jenë në kontejnerin e përzierjes**
- Mbajta dhe drejtimi i veglës ⑩
 - ! **gjatë punës, mbajeni gjithmonë veglën në zonën(at) e dorezës me ngjyrë gri**
 - ! **mbajeni gjithmonë pajisjen fort me të dyja duart**

MIRËMBAJTJA / SHËRBIMI

- Kjo vegël nuk është e projektuar për përdorim profesional
- Mbajeni gjithmonë veglën dhe kordonin të pastër (veçanërisht të çarat e ajrosjes)
 - pastroni gjithmonë përzierësin dhe pjesët funksionale pas punës së përzierjes
 - pastroni veglën me një copë të thatë dhe të butë (mos përdorni produkte pastrimi ose tretës)
 - pastroni të çarat e ajrosjes F ② rregullisht me një furçë ose me ajër të ngjeshur
 - ! **shkëputni spinën para pastrimit**
- Nëse pajisja ka defekt pavarësisht kujdesit në prodhim dhe procedurat e provave, riparimi duhet të kryhet nga një qendër e shërbimit pas shitjes për veglat e punës të SKIL
 - dërgoni veglën të **çmontuar** së bashku me vërtetimin e blerjes të shitësit ose të qendra më e afër e shërbimit e SKIL (adresat si dhe diagrami i shërbimit i veglës janë të paraqitura në www.skil.com)
- Kini parasysh se dëmtimet për shkak të mbingarkesës ose manovrimit të papërshtatshëm të veglës janë të

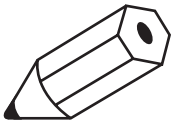
përrjashtuara nga garancia (për kushtet e garancisë së SKIL vizitoni www.skil.com ose pyetni shitësin tuaj)

MJEDISI

- **Mos i hidhni veglat elektrike, bateritë, aksesorët dhe paketimin së bashku me materialet e mbeturinave familjare** (vetëm për vendet e BE-së)
 - në respektim të Direktivës evropiane 2012/19/EC për pajisjet elektrike dhe elektronike si mbetje dhe zbatimin e saj në përputhje me ligjet kombëtare, pajisjet elektrike që kanë arritur në fund të jetëgjatësisë së tyre duhet të mbliidhen të ndara dhe të kthehen në një objekt riciklimi në përputhje me mjedisin.
 - simboli  do t'ju kujtojë për këtë gjë kur të jetë nevoja për t'i hedhur

ZHURMA / VIBRIMI

- E matur në përputhje me EN 62841, niveli i trypnisë së tingullit i kësaj pajisje është 83 dB(A) dhe niveli i fuqisë së tingullit 94 dB(A) (shmangia standarde: 3 dB) dhe vibrimi $3,3 \text{ m/s}^2$ (shuma vektor i tre drejtime; pasiguria $K = 1,5 \text{ m/s}^2$)
 - Niveli i emetimit të vibrimit është matur në përputhje me një provë të standardizuar të dhënë në EN 62841; ajo mund të përdoret për të krahasuar një vegël me një tjetër dhe si një vlerësim paraprak i ekspozimit ndaj vibrimit kur përdorni pajisjen për proceset e përmendura
 - përdorimi i pajisjes për procese të ndryshme, ose me aksesorë të ndryshëm dhe të mirëmbajtur keq, mund të **rritë** ndjeshëm nivelin e ekspozimit
 - kohët kur pajisja është e fikur dhe kur është e ndezur por jo në punë, mund të **zvogëlojnë** ndjeshëm nivelin e ekspozimit
- ! mbroni veten nga efektet e vibrimit duke mirëmbajtur pajisjen dhe aksesorët e saj, duke i mbajtur duart e ngrohta dhe duke organizuar mënyrën tuaj të punës**



ث) سیم را از محیط کار دور نگهدارید. امکان دارد سیم به همزن مخلوط کننده گیر کند.

ج) اطمینان حاصل کنید که مخزن مخلوط کننده در مکانی مستحکم و ثابت قرار داده شده باشد. اگر مخزن بطور صحیح محکم نشده باشد ممکن است ناخواسته حرکت کند.

ح) اطمینان حاصل کنید که هیچگونه مایعی به بدنه ابزار قدرتی نمی باشد. اگر ماریات وارد ابزار قدرتی شوند ممکن است باعث آسیب شده و منجر به برق گرفتگی شوند.

خ) راهنمای ها و هشدارهای مربوط به ماده ای که می خواهید مخلوط شود را رعایت کنید. موادی که مخلوط می شوند ممکن است مضر و خطرناک باشند.

د) اگر ابزار قدرتی به داخل موادی که می خواهید مخلوط کنید افتاد، فوراً سیم برق ابزار را کشیده و ابزار قدرتی را برای بررسی به یک تعمیرکار واجد شرایط بدهید. اگر ابزاری که هنوز به برق وصل است را به داخل سطل بریزد ممکن است دچار برق گرفتگی شوید.

ذ) در هنگام مخلوط کردن نباید دست های خود را داخل مخزن مخلوط کننده بریزد یا هیچ جسمی را در آن قرار دهد. تماس یافتن با همزن مخلوط کننده می تواند منجر به جراحت های جدی شخصی شود.

ر) ابزار را فقط در داخل مخزن مخلوط کننده راه اندازی کرده و به کار بیاندازد. همزن مخلوط کننده ممکن است خم شده یا بطور غیرقابل کنترلی بچرخد.

هشدارهای ایمنی اضافی

همیشه مطمئن شوید که ولتاژ ورودی دستگاه برابر ولتاژ باشد که روی پلاک دستگاه نوشته شده است

وقتی که سیم آسیب دیده است هرگز نباید از ابزار استفاده کنید؛ باید با یک سیم از پیش آماده شده مخصوص که از طریق سازمان های خدماتی در دسترس است تعویض گردد

هرگز این ابزار را در نزدیکی محیط های قابل انفجار بکار نبرید

هرگز مواد قابل اشتعال را با هم مخلوط نکنید

از دستکش های محافظ، ماسک گرد و غبار لباس های غیرگشاد و کفش های با کف و رویه محکم استفاده کنید

میزان صدا در هنگام کار می تواند به ۸۵ دسیبل برسد؛ از محافظ گوش استفاده کنید

SKIL در صورتی که از متعلقات اصلی استفاده کنید عملکرد بدون مشکل ابزار را تضمین می نماید

از قطعات الحاقی همزن مخلوط کننده استفاده نکنید

قبل از هرگونه تنظیم یا تعویض کردن لوازم و ملحمتعلقات حتماً باید سیم برق دستگاه را از پریز بکشید

شیر علامت و ماندهای روی ابزار

پیش از کار حتماً دفترچه راهنما را مطالعه کنید

عایق دوگانه (بازی به سیم اتصال به زمین - ارت نیست)

ابزارهای برقی. باتری ها، آنها را نباید همراه با زباله های عادی خانگی دور انداخت

استفاده

روشن/خاموش ①

! مراقب نیروهای ناشی از گیر کردن باشید: ابزار را محکم با دو دست خود گرفته و در حالت مطمئن بایستید

کنترل دور برای شروع بکار ملایم ⑦

قاب ایمنی ⑧

برای محافظت از ابزار

برای هدایت ابزار

برای کنار گذاشتن ساده و آسان ابزار

قبل از اینکه برای بار اول از ابزار استفاده کنید، قابل ایمنی C را سوار کنید

! هرگز بدون قاب ایمنی از این ابزار استفاده نکنید

کار کردن با ابزار

! مطمئن شوید که ابزار خاموش باشد

همزن مخلوط کننده D را مطابق نمودار روی شفت E سوار کنید ⑨

سیم ابزار را به برق بزنید

مطمئن شوید که مخزن مخلوط کننده بطور مطمئن روی زمین قرار داده شده باشد

همزن مخلوط کننده را پیش از روشن کردن ابزار داخل موادی که می خواهید مخلوط کنید قرار داده، و سپس با وارد کردن فشار بیشتر روی ضامن سرعت مخلوط کردن را آرام آرام افزایش دهید (هدف این است که ماده به اطراف نپاشد و بار اضافه روی وارد نرود)

! ابزار را فقط هنگامی که همزن مخلوط کننده داخل مخزن است خاموش کنید

• نگهداشتن و هدایت ابزار ①

! هنگام کار باید همیشه ابزار را از جاهای دست خاکستری رنگ بگیرد

! همیشه ابزار را خیلی محکم با هر دو دست بگیرد

نگهداری / سرویس - خدمات

• این ابزار برای مصارف حرفه ای مناسب نیست

• همیشه ابزار و سیم برق را تمیز نگهدارید (بخصوص منافذ تهویه)

- همیشه بعد از مخلوط کردن، مخلوط کن و بخش های اصلی آنرا تمیز کنید

- ابزار را با یک دستمال نرم و خشک تمیز کنید (از مواد یا محلول های تمیز کننده استفاده نکنید)

- منافذ تهویه F ① را بطور مرتب با یک برس یا هوای فشرده تمیز کنید

! پیش از تمیز کردن سیم برق را از برق بکشید

• اگر ابزار علیرغم تمام دقت و مراقبتی که در فرایندهای تولید و تست بکار برده شده از کار افتاد، تعمیرات باید فقط در مراکز خدمات پس از فروش ابزارهای برقی SKIL انجام شود

• ابزار را بصورت بازنشده همراه با رسید خرید به فروشنده یا نزدیک ترین مرکز خدمات رسانی SKIL بفرستید (آدرسها به همراه نمودار نقشه های سرویس ابزار در www.skil.com موجود است)

• توجه داشته باشید که خرابی و خسارت ناشی از اضافه بار یا کار کردن نادرست با ابزار مشمول ضمانت نخواهند بود (برای آگاهی از شرایط ضمانت SKIL به نشانی www.skil.com مراجعه کرده یا از فروشنده خود سوال کنید)

محیط زیست

• ابزارهای برقی. باتری ها، لوازم و بسته بندی آنها را نباید همراه با زباله های عادی خانگی دور انداخت (فقط مخصوص کشورهای عضو اتحادیه اروپا)

- با توجه به مصوبه اروپایی 19/2012/EC اروپا درباره لوازم برقی و الکترونیکی مستعمل و اجرای این مصوبه مطابق با قوانین کشوری، ابزارهای برقی که به پایان عمر مفید خود رسیده اند باید جداگانه جمع آوری شده و به یک مرکز بازیافت مناسب و سازگار با محیط زیست انتقال یابند

- بازیافت مناسب و سازگار با محیط زیست انتقال یابند

- بازیافت مناسب و سازگار با محیط زیست انتقال یابند

- بازیافت مناسب و سازگار با محیط زیست انتقال یابند

- بازیافت مناسب و سازگار با محیط زیست انتقال یابند

- بازیافت مناسب و سازگار با محیط زیست انتقال یابند

- بازیافت مناسب و سازگار با محیط زیست انتقال یابند

- بازیافت مناسب و سازگار با محیط زیست انتقال یابند

- بازیافت مناسب و سازگار با محیط زیست انتقال یابند

- بازیافت مناسب و سازگار با محیط زیست انتقال یابند

! نگهداری مناسب از ابزار و لوازم و متعلقات آن، گرم نگهداشتن دست های خود، و سازمان دهی طرح های کاری می توانیم خود را در برابر اثرات ارتعاش محافظت کنید

صدا / ارتعاشات

• اندازه گیری ها بر اساس استاندارد EN 12841 ۱۶۸۴۱ انجام و مشخص شد که میزان فشار صوتی این ابزار ۸۲ دسی بل و میزان توان صوتی آن ۹۴ دسی بل (با انحراف استاندارد: ۳ دسی بل)، و میزان ارتعاشات ۳،۳ متر/مخزور ثانیه می باشد (جمع بردارهای سه جهت ۱،۵ متر/مخزور ثانیه)

• میزان انتشار ارتعاشات بر اساس تست استاندارد شده ای که در EN 12841 معرفی شده است اندازه گیری گردید؛ از این ارقام می توان برای مقایسه یک ابزار با دیگری و بعنوان ارزیابی اولیه در معرض فرارگیری ارتعاشات هنگام کار با ابزار در کاربری های فوق استفاده کرد

- استفاده کردن از ابزار برای کاربردهای متفاوت، یا با لوازم و متعلقات متفاوتتر فرقه یا لوازم و متعلقاتی که بد نگهداری شده اند، می تواند میزان در معرض فرارگیری را بطور قابل ملاحظه ای افزایش دهد

- موافقتی که ابزار خاموش است یا روشن است ولی کاری با آن انجام نمی شود، میزان در معرض فرارگیری بطور قابل توجهی کاهش می یابد

! نگهداری مناسب از ابزار و لوازم و متعلقات آن، گرم نگهداشتن دست های خود، و سازمان دهی طرح های کاری می توانیم خود را در برابر اثرات ارتعاش محافظت کنید

- B ضامن قفل کننده
- C قاب محافظ
- D همین مخلوط کننده
- E شفت
- F شیارهای تهویه
- G آچار (۱)
- H آچار آلن

ایمنی

راهنمایی های ایمنی عمومی برای ابزارهای الکتریکی

⚠ هشدار تمامی هشدارهای ایمنی، دستورالعمل ها، تصاویر و مشخصات فنی ارائه شده همراه با این ابزار الکتریکی را مطالعه کنید در صورت عدم رعایت هشدارهای زیر خطر برق گرفتگی، آتش سوزی و/یا بروز جراحت های شدید وجود خواهد داشت.

همه هشدارها و راهنمایی ها را برای استفاده آتی نگهداری کنید.

--

در این هشدارها عبارت "ابزار الکتریکی" به معنی ابزارهای الکتریکی فاقد باتری (با سیم برق) و یا ابزارهای الکتریکی باتری دار (شارژی) است

(۱) ایمنی محل کار

محل کار خود را تمیز، مرتب و مجهز به نور کافی نگهدارید. محیط کار نامرتب و کم نور میتواند باعث سوانح کاری شود.

(ب) با ابزار الکتریکی در محیط هایی که در آن خطر انفجار وجود داشته و حاوی مایعات، گازها و غبارهای محترقه باشد، کار نکنید. ابزارهای الکتریکی جرقه هایی ایجاد می کنند که می توانند باعث آتش گرفتن گرد و بخار های موجود در هوا شوند.

(ت) هنگام کار با ابزار الکتریکی، کودکان و سایر افراد را از دستگاه دور نگهدارید. در صورتیکه حواس شما پرت شود، ممکن است کنترل دستگاه از دست شما خارج شود.

(۲) ایمنی الکتریکی

دوشاخه ابزار الکتریکی باید با پریز برق تناسب داشته باشد. هیچگونه

تغییری در دوشاخه ندهید. مبدل دوشاخه نباید همراه با ابزار الکتریکی دارای اتصال به زمین (ارت شده) استفاده شود. مبدل دوشاخه نباید همراه با ابزار الکتریکی دارای اتصال به زمین (ارت شده) استفاده شود.

(ب) از تماس بدنی با قطعات دارای سیم اتصال به زمین (ارت شده) مانند لوله، شوفاز، اجاق برقی و یخچال خودداری کنید. در صورتیکه بدن شما با سیم دارای اتصال به زمین (ارت شده) تماس پیدا کند، خطر برق گرفتگی بیشتر خواهد شد.

(ت) دستگاه را از باران و رطوبت دور نگاهدارید. نفوذ آب به ابزار الکتریکی، خطر شوک الکتریکی را افزایش می دهد.

(ث) از سیم به درستی استفاده کنید. از سیم دستگاه برای کارهایی چون حمل ابزار الکتریکی، آویزان کردن آن و یا خارج کردن دوشاخه از برق استفاده نکنید.

دستگاه را در مقابل حرارت، روغن، لیه های تیز و بخش های متحرک دستگاه دور نگاهدارید. کابل های آسیب دیده و یا گره خورده خطر شوک الکتریکی را افزایش می دهند.

(ج) در صورتیکه با ابزار الکتریکی در محیط باز کار می کنید، تنها از کابل را بطی استفاده کنید که برای محیط باز نیز مناسب باشد. کابل های رابط مناسب برای محیط باز، خطر برق گرفتگی را کم می کنند.

(ح) در صورت لزوم کار با ابزار الکتریکی در محیط و اماکن مرطوب، در اینصورت باید از یک کلید حفاظتی جریان خطا و نشستی زمین (کلید قطع کننده اتصال با زمین استفاده کنید. استفاده از کلید حفاظتی جریان خطا و نشستی زمین خطر برق گرفتگی را کمتر می کند.

رعایت ایمنی اشخاص

(۳) حواس خود را خوب جمع کنید، به کار خود دقت کنید و با فکر و هوش کامل با ابزار الکتریکی کار کنید. در صورت خستگی و یا در صورتیکه مواد مخدر، الکل و دارو استفاده کرده اید، با ابزار الکتریکی کار نکنید. یک خلطه بی توجهی هنگام کار با ابزار الکتریکی، میتواند جراحات های شدیدی به همراه داشته باشد.

(ب) همواره از تجهیزات ایمنی شخصی استفاده کنید. همواره از عینک ایمنی استفاده کنید. استفاده از تجهیزات ایمنی مانند ماسک ایمنی کاهش های ایمنی ضد لغزش، کلاه ایمنی و گوشی ایمنی متناسب با نوع کار با ابزار الکتریکی، خطر مروج نداشتن را تقلیل می دهد.

(ت) مواظب باشید که ابزار الکتریکی بطور ناخواسته بکار نیفتد. قبل از وارد کردن دوشاخه دستگاه در پریز برق، اتصال آن به باتری، برداشتن آن و یا حمل دستگاه،

باید دقت کنید که ابزار الکتریکی خاموش باشد. در صورتیکه هنگام حمل دستگاه انگشت شما روی دکمه قطع و وصل باشد و یا دستگاه را در حالت روشن به برق بزنید. ممکن است سوانح کاری پیش آید.

(ث) قبل از روشن کردن ابزار الکتریکی، باید همه ابزار های تنظیم کننده و آچار ها را از روی دستگاه بردارید. ابزار و آچارهایی که روی بخش های چرخنده دستگاه قرار دارند، می توانند باعث ایجاد جراحات شوند.

(ج) پیش از حد به آنها نزدیک نشوید. برای کار جای مطمئنی برای خود انتخاب کرده و تعامل خود را همواره حفظ کنید. به این ترتیب می توانید ابزار الکتریکی را در وضعیت های غیر منظره بهتر تحت کنترل داشته باشید.

(ح) لباس مناسب بپوشید. از پوشیدن لباس های فراخ و حمل زینت آلات خود داری کنید. موها، لباس و دستکش ها را از بخش های در حال چرخش دستگاه دور نگاهدارید. لباس های فراخ، موی بلند و زینت آلات ممکن است در قسمت های در حال چرخش دستگاه گیر کنند.

(خ) در صورتیکه می توانید وسایل مکش گرد و غبار و یا وسیله جذب زائده را به دستگاه نصب کنید، باید مطمئن شوید که این وسایل نصب و درست استفاده می شوند. استفاده از وسایل مکش گرد و غبار مناسب شما را در برابر گرد و غبار زیاد تر می کند.

(د) اجازه ندهید آشنایی و تسلط حاصل از استفاده مکرر از ابزارها باعث شود احساس نیاز به رعایت قواعد نکرده و به قوانین ایمنی ابزار بی توجهی کنید یک عمل از روی بی دقتی می تواند در کسری از ثانیه موجب جراحات شدید شود

(۴) استفاده صحیح از ابزار الکتریکی و مراقبت از آن
(ا) از وارد کردن فشار زیاد روی دستگاه خود داری کنید. برای هر کاری، از ابزار الکتریکی مناسب با آن استفاده کنید. بکار گرفتن ابزار الکتریکی مناسب باعث می شود که بتوانید از توان دستگاه بهتر و با اطمینان بیشتر استفاده کنید.

(ب) در صورت ایراد در کلید قطع و وصل ابزار برقی، از دستگاه استفاده نکنید. ابزار الکتریکی که نمی توان آنها را قطع و وصل کرد، خطرناک بوده و باید تعمیر شوند.

(ت) قبل از تنظیم ابزار الکتریکی، تعویض متعلقات و یا کنار گذاشتن آن، دوشاخه را از برق کشیده و یا باتری آنرا خارج کنید. رعایت این اقدامات پیشگیری ایمنی از راه افتادن ناخواسته ابزار الکتریکی جلوگیری می کند.

(ث) ابزار الکتریکی را در صورت عدم استفاده، از دسترس کودکان دور نگاهدارید. اجازه ندهید که افراد نا وارد و یا اشخاصی که این دفترچه راهنما را نخوانده اند، با این دستگاه کار کنند. فرار گرفتن ابزار الکتریکی در دست افراد ناوارد و بی تجربه خطرناک است.

(ج) از ابزار الکتریکی خوب مراقبت کنید. مواظب باشید که قسمت های متحرک دستگاه خوب کار کرده و گیر نکنند. همچنین دقت کنید که قطعات ابزار الکتریکی خشک شده و یا آسیب دیده نباشند. قطعات آسیب دیده را قبل از شروع به کار تعمیر کنید. علت بسیاری از سوانح کاری، عدم مراقبت کامل از ابزارهای الکتریکی می باشد.

(ح) ابزار برش را تیز و تمیز نگاهدارید. ابزار برشی که خوب مراقبت شده و از لیه های تیز برخوردارند، کمتر در قطعه کار گیر کرده و بهتر قابل هدایت می باشند.

(خ) ابزارهای الکتریکی، متعلقات، ابزاری که روی دستگاه نصب می شوند و غیره را مطابق دستورات این جزوه راهنما طوری به کار گیرید که با مدل این دستگاه تناسب داشته باشند. همچنین به شرایط کاری و نوع کار توجه کنید. کاربرد ابزار برقی برای موارد کاری که برای آن در نظر گرفته نشده است، میتواند شرایط خطرناکی را منجر شود.

(د) دسته ها و سطوح دستگیره ها را خشک، تمیز و عاری از روغن و گریس نگه دارید با دسته ها و سطوح دستگیره های لیز می توان در شرایط غیرمنظره بطور ایمن با ابزار کار کرد و کنترل آنرا داشت

(ه) سرویس
(ا) برای تعمیر ابزار الکتریکی فقط به متخصصین حرفه ای رجوع کرده و از وسایل پدکی اصل استفاده کنید. این باعث خواهد شد که ایمنی دستگاه شما تضمین گردد.

هشدارهای ایمنی برای دستگاه های مخلوط کن

(ا) ابزار را با هر دو دست از دسته های مربوطه بگیرد. از دست دادن کنترل می تواند باعث شود جراحات ببینید.

(ب) هنگام مخلوط کردن مواد قابل اشتعال باید تهویه وجود داشته باشد تا از تشکیل فضای خطرناک جلوگیری گردد. بخارات حاصله ممکن است وارد تنفس شده یا با جرقه های تولید شده توسط ابزارهای قدرتی متحرک گردند.

(ت) از مخلوط کردن مواد غذایی خودداری کنید. ابزارهای قدرتی و متعلقات آنها برای کار با مواد غذایی طراحی نشده اند.

- حافظ دائماً على نظافة الأداة والسلك (خاصة فتحات التهوية)
- قم دائماً بتنظيف الحلات والأجزاء الوظيفية بعد الانتهاء من مهمة الحلط التي تقوم بها
- نظّف الأداة باستخدام قطعة قماش جافة وناعمة (لا تستخدم مواد تنظيف أو منظفات)
- نظّف فتحات التهوية F ① بانتظام باستخدام فرشاة أو هواء مضغوط
- ! **افصل القابس قبل التنظيف**
- إذا تعذر تنظيف الأداة على الرغم من الحذر الشديد في إجراءات التصنيع والاختبار، فيجب القيام بالإصلاحات بواسطة مركز خدمة ما بعد البيع لأدوات الطاقة التابع لشركة SKIL.
- قم بإرسال الأداة من تفكيكها بالإضافة إلى إثبات الشراء إلى البائع أو أقرب محطة خدمة SKIL (العناوين بالإضافة إلى مخطط الخدمة متاحان على www.skil.com)
- كن على علم بأن التلف الناتج عن زيادة التحميل أو التعامل مع الأداة بطريقة خاطئة سيتم استثنائه من الضمان (لعرفة شروط ضمان SKIL انظر www.skil.com أو قم بسؤال بائع المعدات)

البيئة المحيطة

- لا تتخلص من الأدوات الكهربائية والبطاريات والملحقات ومواد التغليف مع النفايات المنزلية (الدول الإتحاد الأوروبي فقط):
- وفقاً للتوجيه الأوروبي ١٢/١٩/٢٠٠٢ EC حول نفايات المعدات الكهربائية والإلكترونية وتطبيقه على القانون المحلي، يجب جمع الأدوات الكهربائية منتهية الصلاحية بشكل منفصل وإرسالها إلى أحد منشآت إعادة التصنيع المتوافقة مع البيئة
- سيذكرك الرمز ⑤ بهذا عند الحاجة إلى التخلص من أية أداة:

الضوضاء / الاهتزاز

- عند القياس بالتوافق مع EN ١٢٨٤١ يكون مستوى ضغط صوت هذه الأداة هو ٨٣ ديسيبل (أ) ومستوى طاقة الصوت ٩٤ ديسيبل (أ) (الانحراف المعياري: ٣ ديسيبل).
- والاهتزاز ٣,٣ م/م^٢ (مجموع الجهات بثلاثة K غير مؤكد = ١,٥ م/م^٢)
- تم قياس مستوى الاهتزازات بالتوافق مع الاختبار المعياري المحدد في EN ١٢٨٤١، يمكن استخدامه لمقارنة أداة بأداة أخرى وكتقييم تمهيدي للتعرض للاهتزاز عند استخدام الأداة في التطبيقات الموضحة:
- قد يؤدي استخدام الأداة في تطبيقات مختلفة أو مع ملحقات مختلفة أو ذات صيانة رديئة إلى زيادة مستوى التعرض بصورة كبيرة:
- إن الفترة الزمنية التي يتم خلالها إيقاف تشغيل الأداة أو عندما تكون قيد التشغيل لكنها لا تؤدي أية مهام، تؤدي إلى تقليل مستوى التعرض بصورة كبيرة:
- ! **قم بحماية نفسك من تأثيرات الاهتزاز من خلال صيانة الأداة وملحقاتها.**
- والحفاظ على يدك دافئتين وتنظيم أنماط العمل لديك:

FA

نك طول خ م

مقدمه

- اين مخلوط کن الكترونيكى برأى مخلوط كردن سادە و راحت مواد مختلف طراحي شهه است
- با همون هاى مختلف آن مى توانيد مواد متنوعى را مخلوط كنيد (انواع مختلف مخلوط هاى سيمانى، چسب هاى ساختمانى، رنگ، مواد تركيبى تراز كنده سطح، مواد نازك كاري، ملات خشك و غيره)
- حجم اختلاط مناسب به نوع و وضعيت موادى كه مى خواهيد مخلوط كنيد، و نوع همزن مورد استفاده بستگى دارد
- هرگز در هر بار بيش از ٤٠ ليتر ماده را مخلوط نكنيد
- اين ابزار برأى مصارف حرفه اى مناسب نيست
- لطفاً اين دفترچه راهنما را مطالعه كرده و نگهداريد ③

اطلاعات فنى ①

اجزاي ابزار ②

A كليد روشن/خاموش و كنترل دور

- (ب) تأكد من وجود تهوية كافية عند خلط مواد قابلة للاشتعال لتجنب تكون محيط خطر، قد يتم استنشاق الأبخرة الناتجة أو اشتعالها بواسطة الشرر الذي تنتجه الأداة الكهربائية.
- (ت) لا تخلط الطعام الأدوات الكهربائية وملحقاتها غير مصممة لمعالجة الطعام.
- (ث) أبقِ السلك بعيداً عن فتحات العمل. قد يتشابك السلك بواسطة مقبل الحلات.
- (ج) تأكد من وضع حاوية الحلط في موضع ثابت وأمن. فالحاوية غير الموثمة بشكل صحيح تتحرك حركات غير متوقعة.
- (ح) تأكد من عدم تطاير أي سوائل مقابل مبيت الأداة الكهربائية. يمكن أن تسبب السوائل التداخل النخلة الأداة الكهربائية حدوث تلف وتؤدي إلى صدمة كهربائية.
- (خ) اتبع التعليمات والتحذيرات الخاصة بخلط المادة. قد تكون المواد المراد خلطها مضرّة.
- (د) إذا سقطت الأداة الكهربائية في المواد المراد خلطها، أزل القابس على الفور وافحص الأداة الكهربائية لدى فني إصلاح مؤهل. فالوصول إلى الدلو والأداة لا تزال موصلة بالكهرباء يمكن أن يؤدي إلى صدمة كهربائية.
- (ذ) لا تلامس حاوية الحلط بيدك أو تضع أي أعضاى أخرى بها أثناء الحلط. فملامسة مقبل الحلات قد تؤدي إلى إصابة بخصية خطيرة.
- (ر) لا تشغل الأداة أو جعلها تعمل إلا في حاوية الحلط فقط. فقد ينثني مقبل الدال أو يدور بشكل غير مسيطر عليه.

تحذيرات السلامة الإضافية

- تأكد دائماً من أن الفولت المراد من نفسه المشار اليه على اللوحة الخاصة بالأداة
- تجنب تماماً استخدام الأداة عند تلف السلك؛ فيجب استبداله بسلك معد خصيصاً
- متاح من خلال منظمة الخدمة.
- يحظر نهائياً استخدام الأداة في محيط قابل للانفجار أو بالقرب منه
- يحظر نهائياً مزج مواد قابلة للاحتراق
- ارتد قفازات واقية وقناع واقي من الغبار وملابس محكمة على الجسم وأحذية قوية
- قد يتعدى مستوى الضوضاء أثناء العمل ٨٥ ديسيبل (أ) قم بإرتداه واقبات أذن
- تضمن SKIL التشغيل السليم للأداة فقط عند استخدام الملحقات الأصلية:
- لا تستخدم ملحقات تمديد مقبل الحلات
- احرص دائماً على فصل القابس من مصدر الطاقة قبل القيام بأية عمليات ضبط أو تغيير أية ملحقات:

شرح الرموز الموجودة على الأداة

③ قم بقراءة دليل الإرشادات قبل الاستخدام

④ العزل المزوج (لا يلزم سلك أرضي)

⑤ لا تتخلص من الأدوات الكهربائية والبطاريات مع النفايات المنزلية

الاستخدام

- التشغيل/إيقاف التشغيل ①
- ! انتبه إلى القوى الناتجة عن الانحسار، ودائماً احكم الإمساك بالأداة بكلتا يديك مع اتخاذ مسافة أمان
- التحكم بالسرعة لبدء التشغيل السلس ⑦
- إطار حماية الأداة
- لحماية الأداة
- لوضع الأداة جانباً على نحو يسير
- قم بتركيب إطار الحماية C قبل استخدام الأداة للمرة الأولى
- ! يحظر نهائياً استخدام الأداة بدون إطار الحماية
- تشغيل الأداة
- ! تأكد من إيقاف تشغيل الأداة:
- قم بتثبيت مقبل الحلط D على محور الدوران E كما هو موضح في الشكل ⑨
- وصل القابس بمصدر الطاقة
- تأكد من وضع وعاء المرغ على الأرضية على نحو آمن
- ضع مقبل الحلط في المادة التي سيتم خلطها قبل تشغيل الأداة. ثم قم بزيادة سرعة الحلط تدريجياً بزيادة الضغط على مفتاح التشغيل (بحيث لا تنتشر المادة ولا تتعرض الأداة لفرط التحميل):
- ! لا تقم بإيقاف تشغيل الأداة إلا أثناء وجود مقبل الحلط في وعاء المزج
- إمساك الأداة وتوجيهها ⑩
- ! أثناء العمل، امسك الأداة دائماً من منطقة (مناطق) المقبض رمادية اللون
- ! امسك الأداة دائماً بإحكام بكلتا يديك:

الصيانة / الخدمة

- لم يتم تصميم هذه الأداة للاستخدام الاحترافي.

- تم تصميم هذا الخلط الإلكتروني لخلط المواد بسهولة وبساطة
- يمكن مزج مجموعة متنوعة من المواد (أنواع مختلفة من خلطات الأسمنت ومواد لاصقة للبناء ومواد الطلاء ومكونات نسوية وملاط تشطيب وملاط جاف وغيرها)
- باستخدام مقليات الخلط المتنوعة
- يعتمد حجم الخلط الموصى به على نوع وحالة المادة المراد مزجها ونوع المقلب المستخدم
- لا يمزج أكثر من ٤٠ لتر من أي مادة في المرة الواحدة
- لم يتم تصميم هذه الأداة للاستخدام الاحترافي:
- اقرأ دليل التعليمات هذا واحتفظ به (٣)

البيانات الفنية ١

مكونات الأداة ٢

- | | |
|---|---|
| A | مفتاح للتشغيل/الإيقاف والتحكم في السرعة |
| B | زر لقفل المفتاح |
| C | إطار حماية |
| D | مقرب خلط |
| E | عمود دوران |
| F | فتحات التهوية |
| G | مفتاح ربط (٢) |
| H | مفتاح مسدس |

أمان

تحذيرات السلامة العامة للأداة الكهربائية

اقرأ حذرًا كل تحذيرات السلامة والتعليمات والأشكال الإيضاحية والمواصفات الرفيعة مع هذه الأداة الكهربائية فقد يؤدي الإخفاق في الالتزام بكل التعليمات المبينة فيما يلي إلى التعرض لصدمة كهربائية أو أو حريق أو/أو إصابة خطيرة:

احتفظ بكل التحذيرات للرجوع إليها في المستقبل

- الأمان مكان التشغيل
 - حافظ على نظافة وحسن إضاءة مكان تشغيلك. الفوضى في مكان التشغيل ومجالات العمل الغير مضاءة قد تؤدي إلى حدوث الحوادث.
 - لا تستغل بالعدة الكهربائية في محيط معرض لخطر الانفجار والذي تتوفر فيه السوائل أو الغازات أو الأبخرة القابلة للاشتعال. العدد الكهربائي تشكل الشرر الذي قد يتطاير فيشعل الأبخرة والأبخرة.
 - حافظ على مقاء الأطفال وغيرهم من الأشخاص على بعد عندما تستعمل العدد الكهربائي. قد تفقد السيطرة على الجهاز عند التلهي.
 - الأمان الكهربائي
 - يجب أن يتلامس قابس وصل العدد الكهربائي مع المقبس. لا يجوز تغيير القابس بأي حال من الأحوال. لا تستعمل القوابس المهيانة مع العدد الكهربائي المؤرقة تأريض وقتاني. تخفض القوابس التي لم يتم تغييرها والقابس الملائمة من خطر الصدمات الكهربائية.
 - جنب ملامسة السطوح المؤرقة كالألوانيب ورايديوتات التدفئة والمدافئ أو البرادات بواسطة جسمك. يزداد خطر الصدمات الكهربائية عندما يكون جسمك موزر.
- أبعد العدد الكهربائي عن الأمطار أو الرطوبة. يزداد خطر الصدمات الكهربائية إن تسرب الماء إلى داخل العدد الكهربائي.
- يجب عدم إسائة استخدام الكابل. لا تسس استعمال الكابل حمل العدد الكهربائي أو لتعليقها أو لسحب القابس من المقبس. حافظ على إبعاد الكابل عن الحرارة والزيت والحواف الحادة أو عن أجزاء الجهاز المتحركة. تزيد الكابلات المتلفة أو المشابكة من خطر الصدمات الكهربائية.
- استخدم فقط كابلات التتمديد الصالحة للإستعمال الخارجي أيضا عندما تشتغل بالعدة الكهربائية في الحلاء. يخفض استعمال كابل تمديد مخصص للإستعمال الخارجي من خطر الصدمات الكهربائية.

(ح) إن لم يكن بالإمكان عدم تشغيل العدد الكهربائي في الأجواء الرطبة. فاستخدم مفتاح لوقاية من التيار المتردد. إن استخدام مفتاح لوقاية من التيار المتردد يقلل خطر الصدمات الكهربائية.

٣) أمان الأشخاص

- كن يقظا وأنتبه إلى ما تفعله وقم بالعمل بواسطة العدد الكهربائي بتعقل. لا تستخدم عدة كهربائية عندما تكون متعب أو عندما تكون تحت تأثير المخدرات أو الكحول أو الأدوية. عدم الإنتباه للحظة واحدة عند إستخدام العدد الكهربائي قد يؤدي إلى إصابة خطيرة.
- ارتد عتاد الوقاية الخاص. وارتد دائما نظارات واقية. يجب ارتداء عتاد الوقاية الخاص كقناع الوقاية من الغبار وأحذية الأمان الواقية من الإنزلاق والحوادث واقية الأذنين. حسب نوع وإستعمال العدد الكهربائي. من خطر الإصابة بحروح
- جنب التشغيل بشكل غير مقصود. تأكد من كون العدد الكهربائي مطفأة قبل وصلها بإمداد التيار الكهربائي و/ أو بالركم. وقيل رفعها أو حملها. إن كنت تضع إصبعك على المفتاح أثناء حمل العدد الكهربائي أو إن وصلت الجهاز بالشبكة الكهربائية عندما قيد التشغيل. فقد يؤدي ذلك إلى حدوث الحوادث.
- انزع عدد الضبط أو مفتاح الربط قبل تشغيل العدد الكهربائي. قد تؤدي العدد أو المفتاح المتواجدين في جزء دوار من الجهاز إلى الإصابة بحروح.
- جنب أوضاع الجسم غير الطبيعية. فب بأمان وحافظ على توازنك دائما. سيسمح لك ذلك من السيطرة على الجهاز بشكل أفضل في المواقف غير المتوقعة.

(ح) ارتد ملابس مناسبة. لا ترتدي الثياب الفضفاضة أو الخلي. حافظ على إبقاء الشعر والثياب والقفازات على بعد عن أجزاء الجهاز المتحركة. قد تتشابك الثياب الفضفاضة والخلي والشعر الطويل بالأجزاء المتحركة.

(خ) إن جاز تركيب جهاز شفط وجميع الغبار، فتأكد من أنها موصولة وبأنه يتم استخدامها بشكل سليم. قد يقلل إستخدام جهايزات لشفط الأبخرة من الخطأر الناتجة عن الأبخرة.

(د) لا تدع أعينك على الاستخدام المتكرر للأدوات يسمح لك بتجاهل مبادئ سلامة الأداة؛ قد يتسبب الاستخدام بدون أكثرات في حدوث إصابة بالغة في غضون ثواني:

(أ) حسن معاملة واستخدام العدد الكهربائي
لا تقطر في حميل الجهاز. إستخدم لتنفيذ أشغالك العدد الكهربائي المخصصة لذلك. إنك تعمل بشكل أفضل وأكثر أمانا بواسطة العدد الكهربائي الملائمة في مجال الأداء المذكور.

(ب) لا تستخدم العدد الكهربائي إن كان مفتاح تشغيلها تالف. العدد الكهربائي التي لم تعد تسمح بتشغيلها أو بإطافئها خطيرة ويجب أن يتم تصليحها.

(ت) اسحب القابس من المقبس و/ أو انزع المرمك قبل ضبط الجهاز وقبل إستبدال التوابع أو قبل وضع الجهاز جانباً. تمنع إجراءات الاحتياط هذه تشغيل العدد الكهربائي بشكل غير مقصود.

(ث) احتفظ بالعدد الكهربائي التي لا يتم إستخدامها بعيدا عن متال الأطفال. لا تسمح بإستخدام العدد الكهربائي لمن لاخبرة له بها أو لمن لم يقرأ تلك التعليمات. العدد الكهربائي خطيرة إن تم استخدامها من قبل أشخاص دون خبرة.

(ج) اعتن بالعدة الكهربائية بشكل جيد. تخضع عما إذا كانت أجزاء الجهاز المتحركة تعمل بشكل سليم وبأنها غير مستعصبة عن الحركة أو إن كانت هناك أجزاء مكسورة أو تالفة لدرجة تؤثر فيها على حسن أداء العدد الكهربائي. ينسب تصليح هذه الأجزاء التالفة قبل إعادة تشغيل الجهاز. الكثير من الحوادث مصدرها العدد الكهربائي التي تم صيانتها بشكل ردي.

(ح) حافظ على إبقاء عدد القطع نظيفة وحادة. إن عدد القطع ذات حواف القطع الحادة التي تم صيانتها بعناية تكليس بشكل أقل وتكون توجيهها بشكل أيسر.

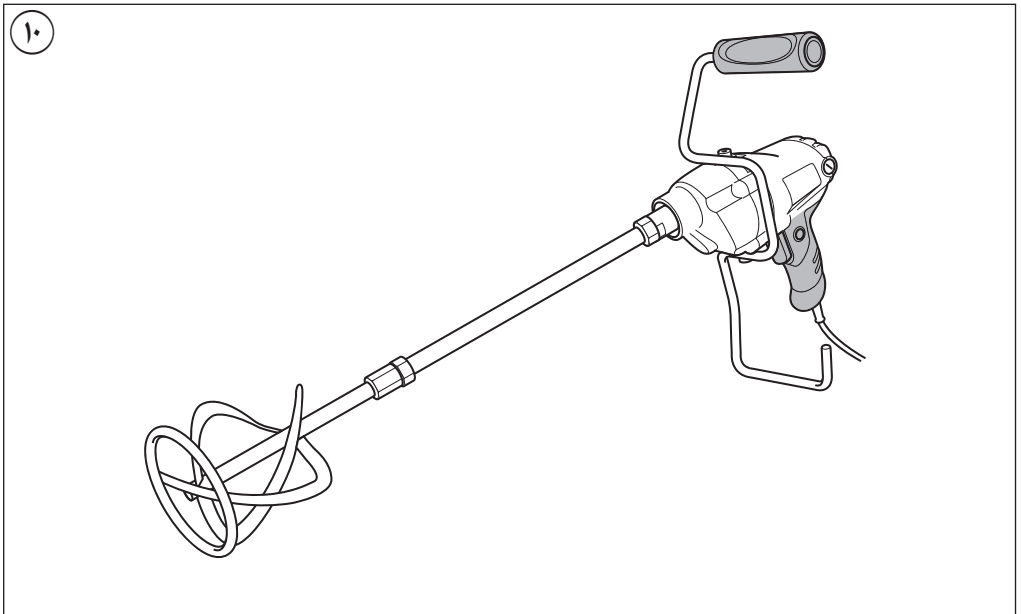
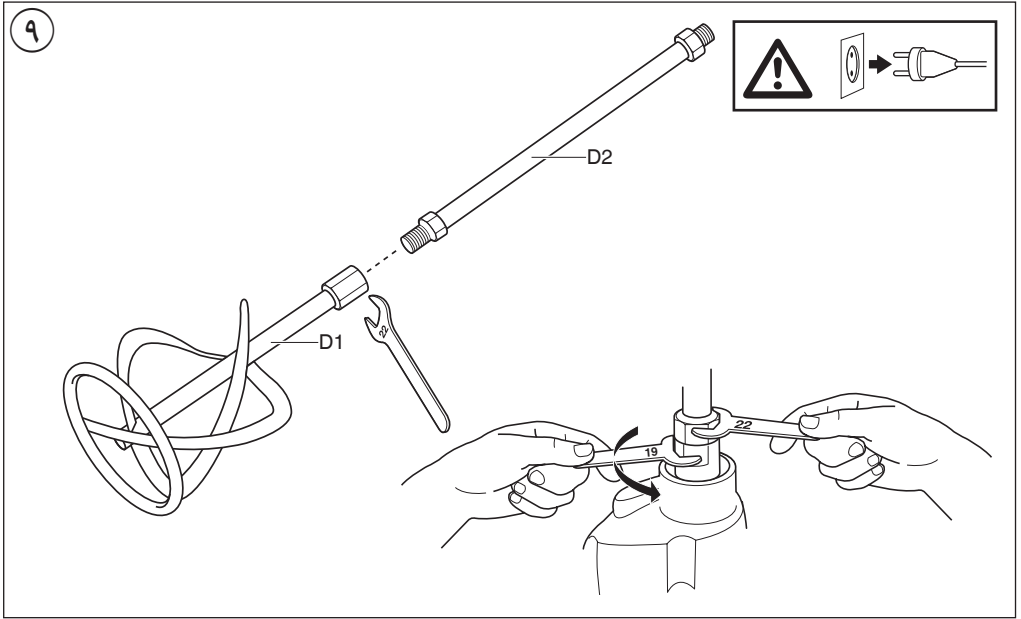
(خ) استخدم العدد الكهربائي والتوابع وعند الشغل والرخ. حسب هذه التعليمات. تراعى أثناء ذلك شروط الشغل والعمل المراد تنفيذة. استخدام العدد الكهربائي لغير الأشغال المخصصة لأجلها قد يؤدي إلى حدوث الحالات الخطيرة.

(د) احرص على جفاف المقابض وأسطح الإمساك ونظافتها وخلوها من الزيت والشحوم؛ لا تسمح للمقابض وأسطح الإمساك الزلقة بالاستخدام والتحكم الأمان في الآلة في الحالات غير المتوقعة؛

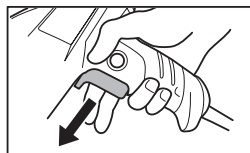
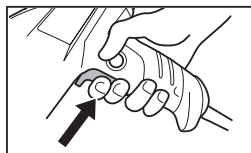
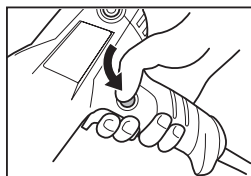
(هـ) الخدمة
أ) اصصح بتصليح عدتك الكهربائية فقط من قبل المتخصصين فقط بإستعمال قطع الغيار الأصلية. يؤمن ذلك المحافظة على أمان الجهاز.

تعليمات السلامة للخلاطات

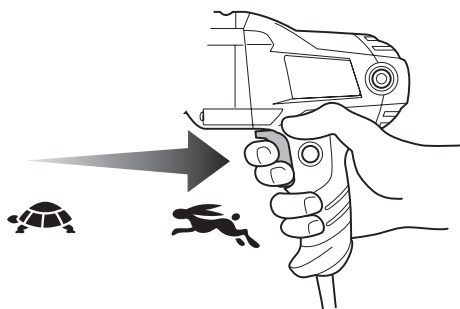
(أ) امسك بالأداة بكلتا يديك من المقابض المخصصة. فقدان السيطرة يمكن أن يسبب الإصابة الشخصية.



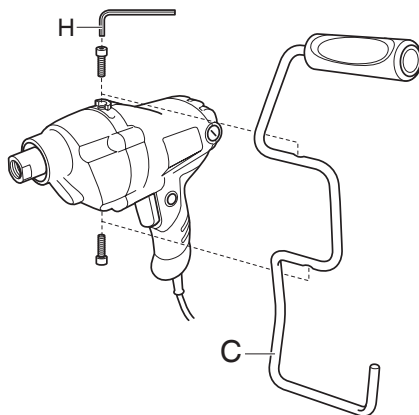
1



V



A



1

1608

850
Watt

2,6 kg

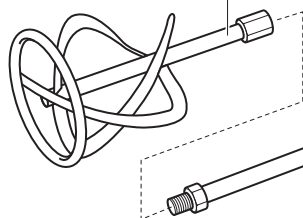
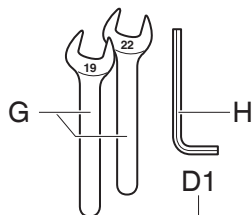
n_0
0-550
/min

M14

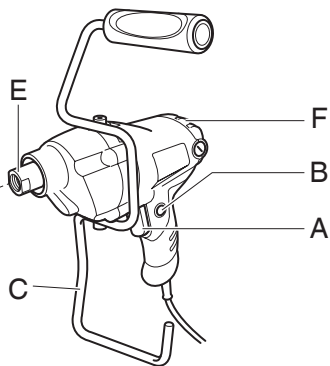
±120 mm
MAX

220
-
240
V~
50-60 Hz

2



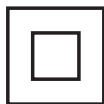
D2



3



4



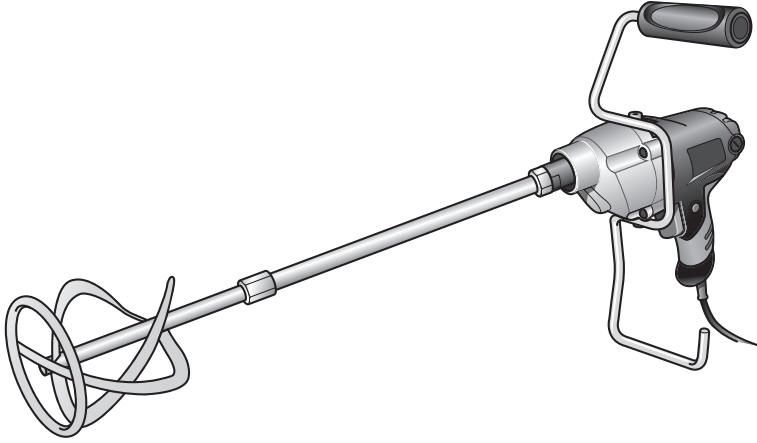
5



خلاط

1608

SKIL®



دليل الاستعمال

AR

راهنماي اصلي

FA

