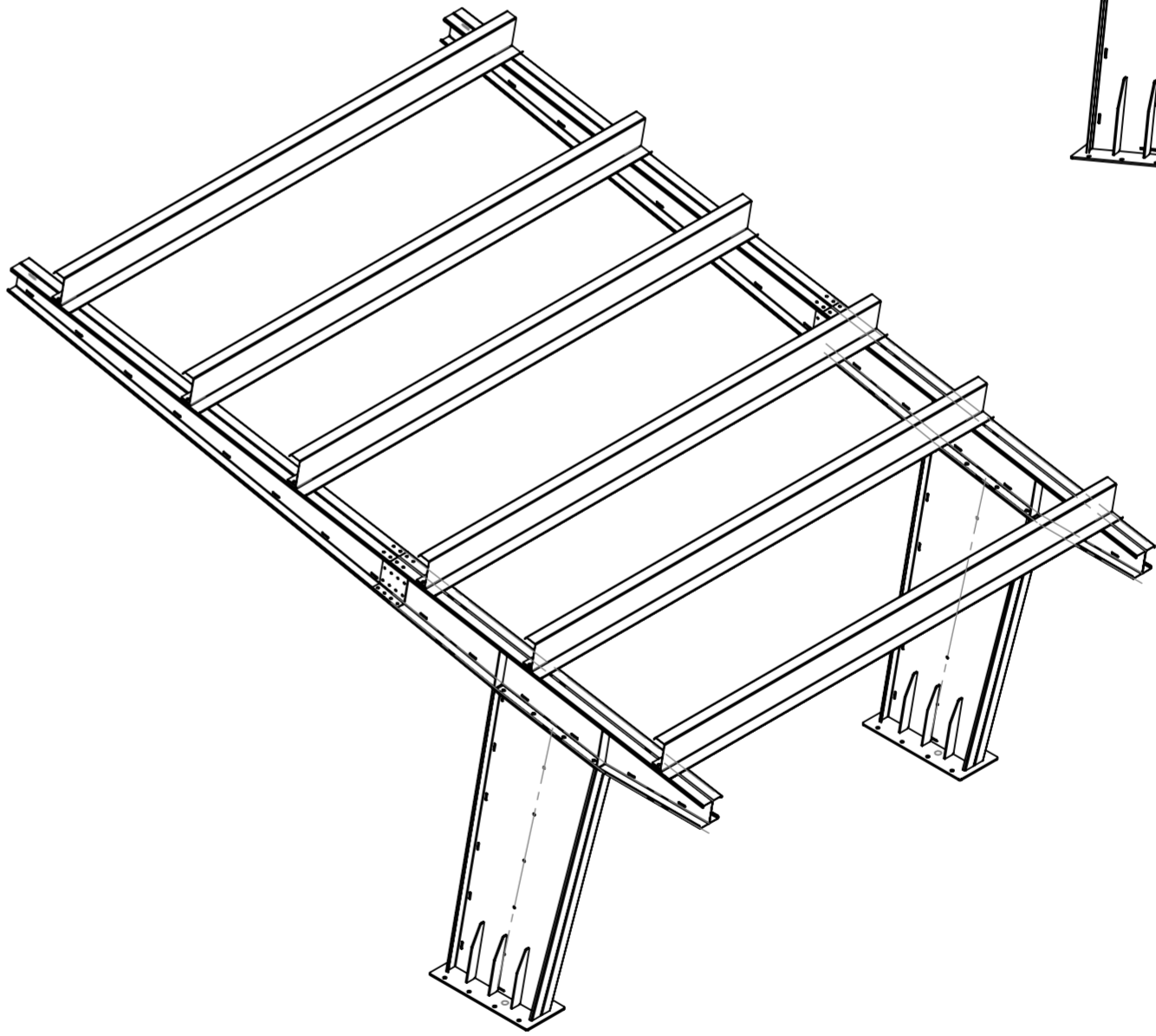
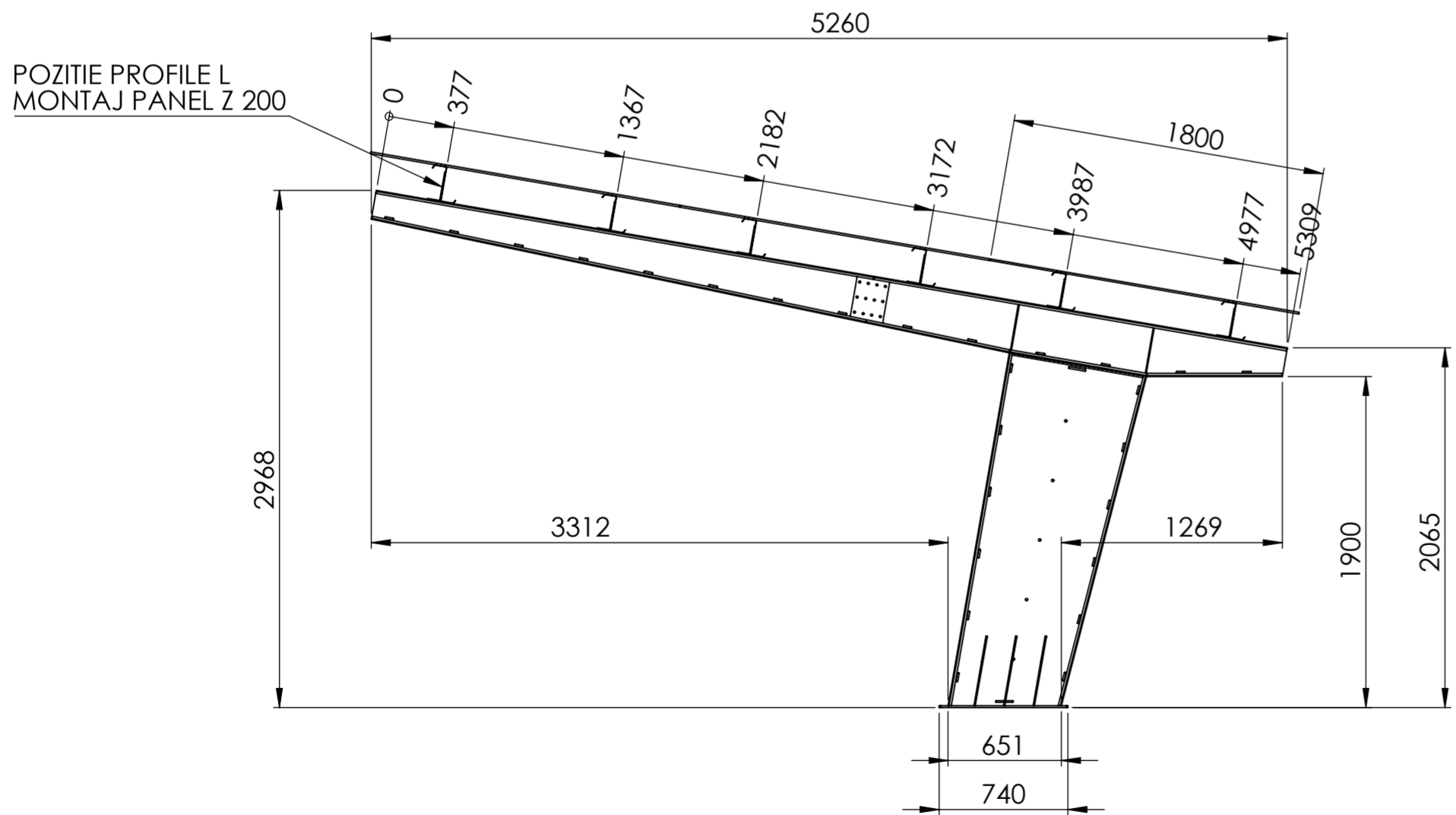
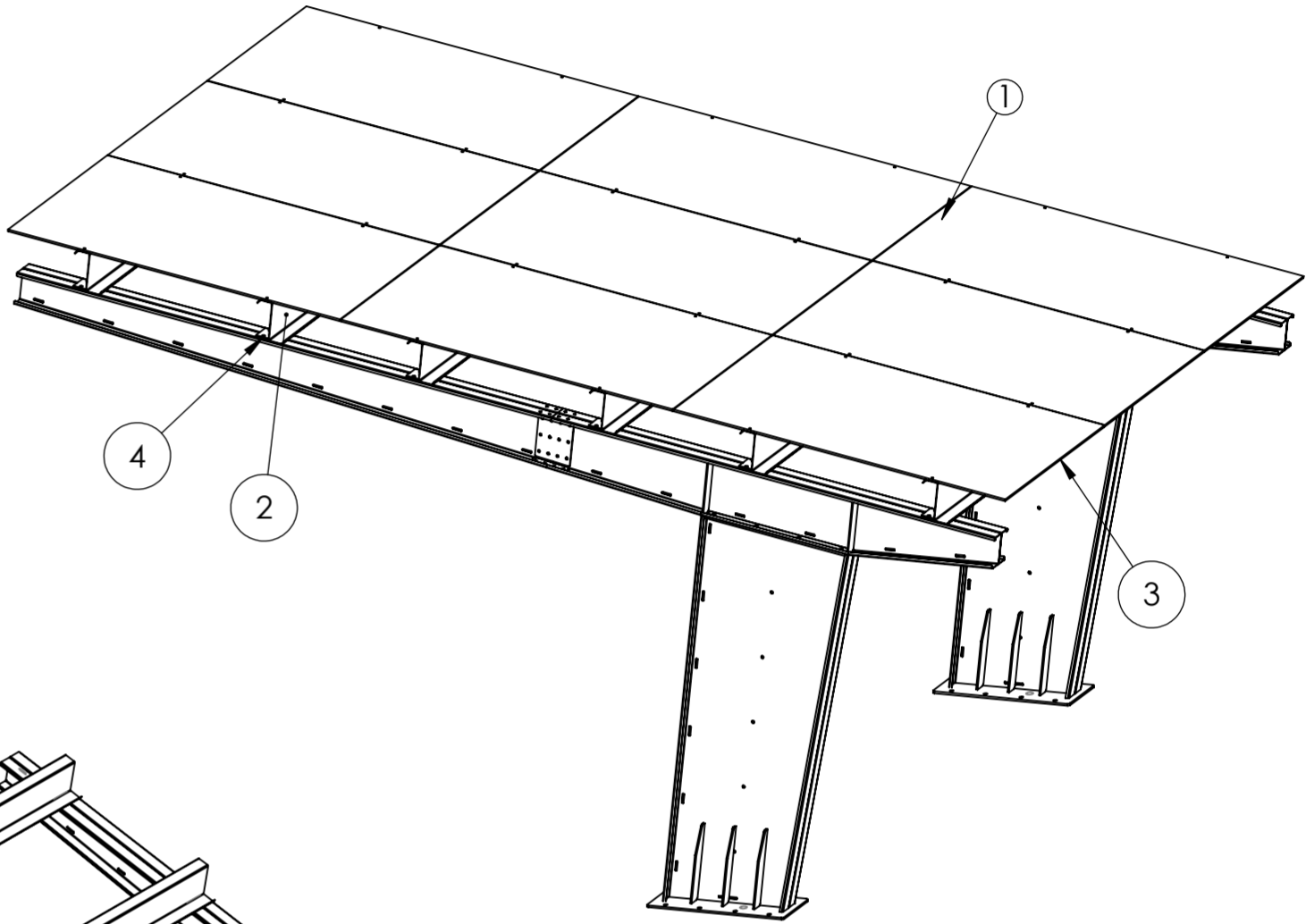
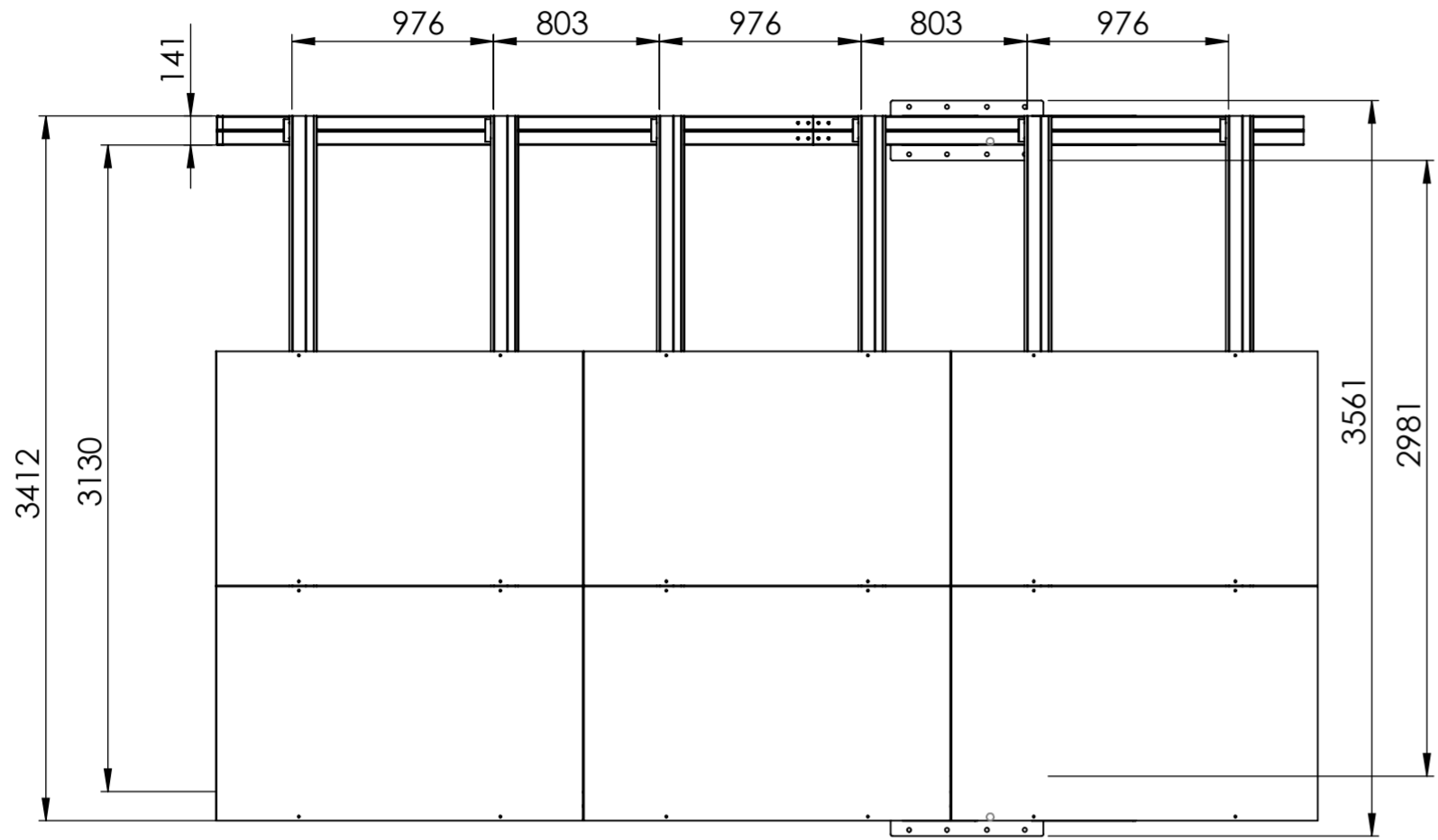


ITEM NO.	PART NUMBER	DESCRIPTION	QTY.
1	PICIOR CARPORT V4		2
2	Profil Z200	L = 3412 mm	6
3	Sablon panou solar	1134 x 1800	9
4	Profil L 170	pentru Z200	12

Structura CarPort Auto Todome M01(V4) - 1 loc parcare



UNLESS OTHERWISE SPECIFIED:
DIMENSIONS ARE IN MILLIMETERS
SURFACE FINISH:
TOLERANCES:
LINEAR:
ANGULAR:

	NAME	SIGNATURE	DATE
DRAWN			
CHK'D			
APPV'D			
MFG			
Q.A			

FINISH:

TODOME

MATERIAL:

WEIGHT:

DO NOT SCALE DRAWING		REVISION
TITLE: CP 01 - 1 LOC		
DWG NO.	A2	
SCALE: 1:33	SHEET 1 OF 7	