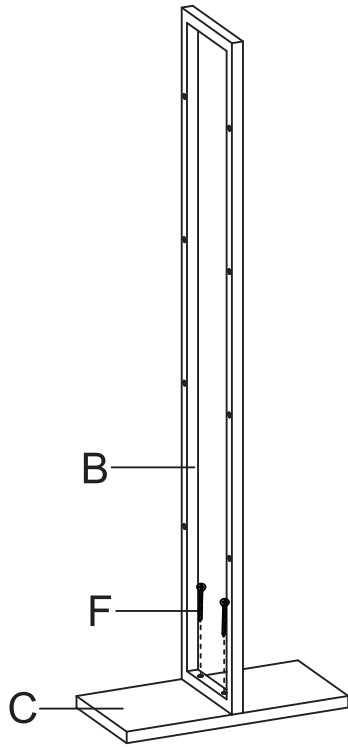
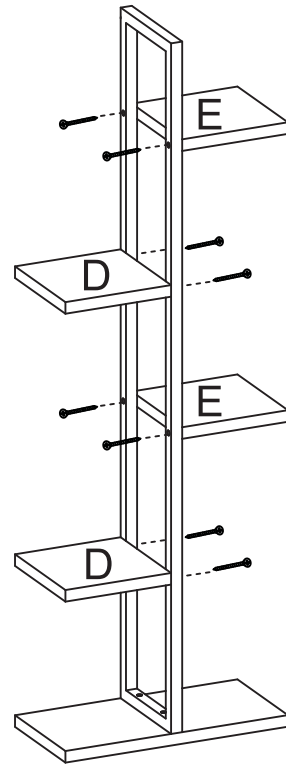


ASSEMBLY INSTRUCTION

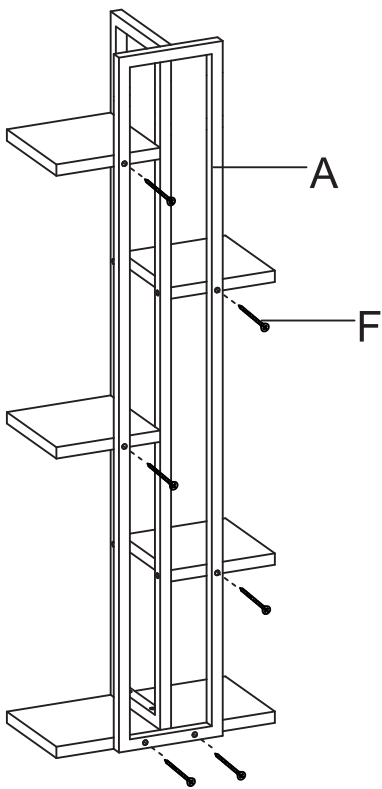
1



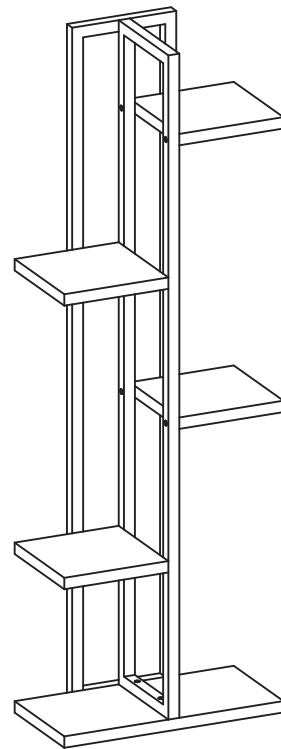
2



3



4



A	B	C	D	E	F	G
400x190mm		190x190mm	190x190mm	M4x40mm		
1	1	1	2	2	16	4