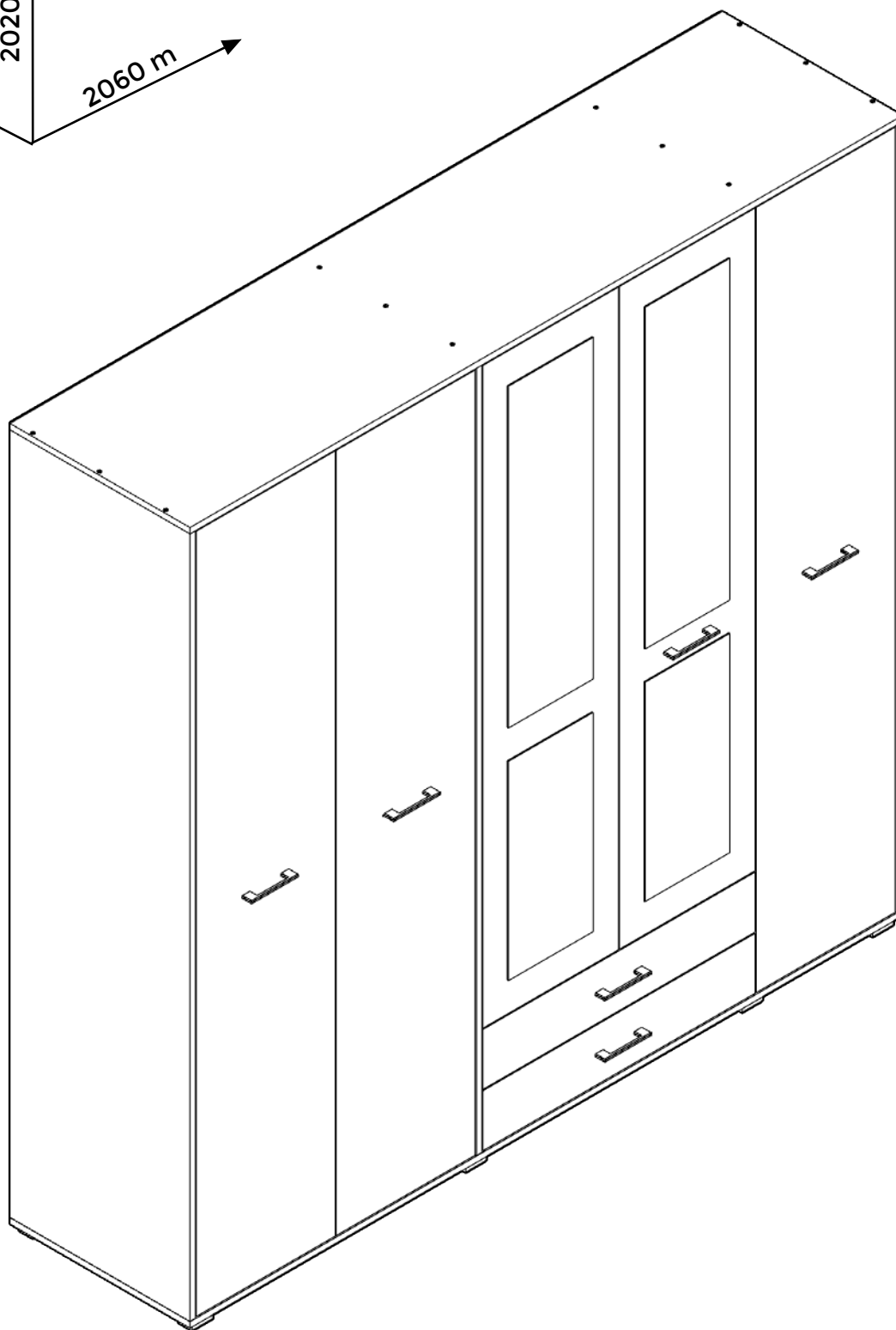
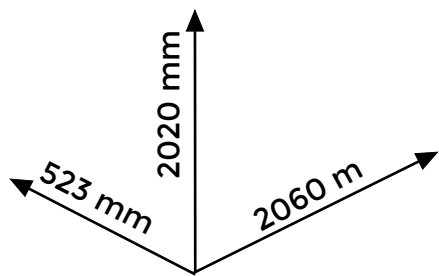


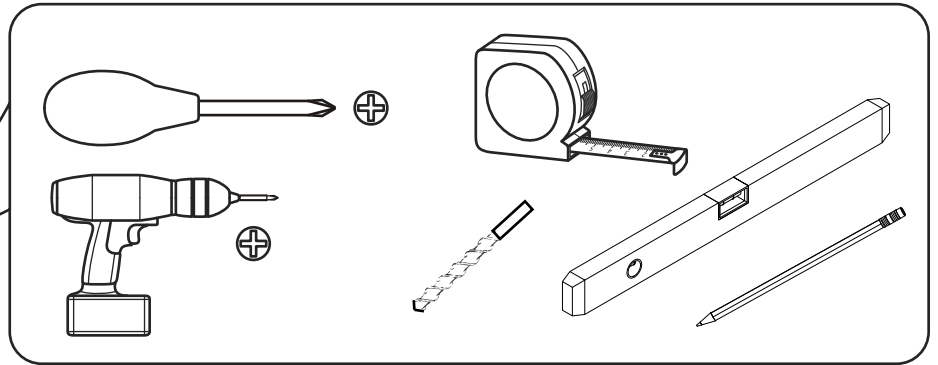
Dormitor CALIN

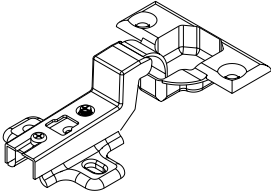
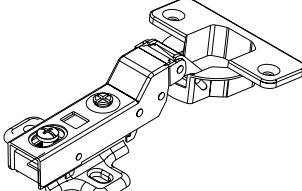
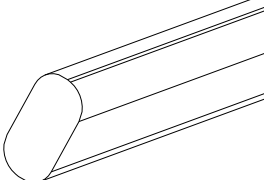
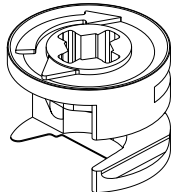
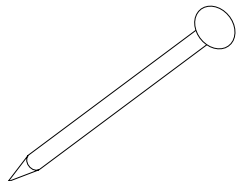
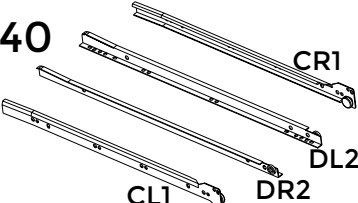
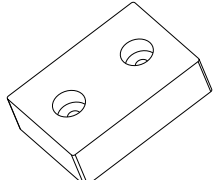
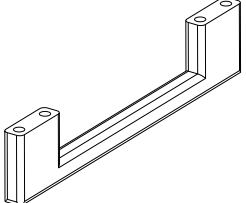
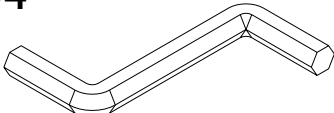
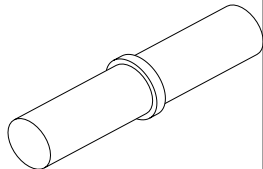
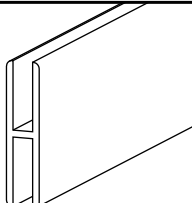
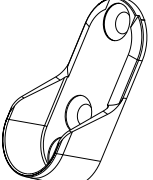

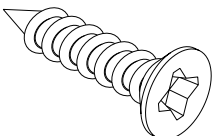
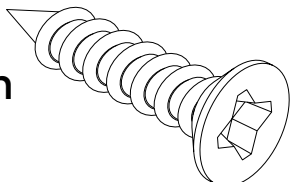
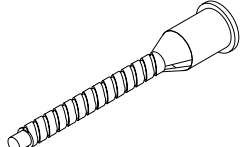
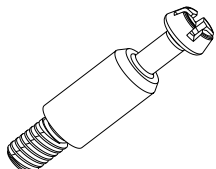
D U L A P D5+2S



Dormitor CALIN

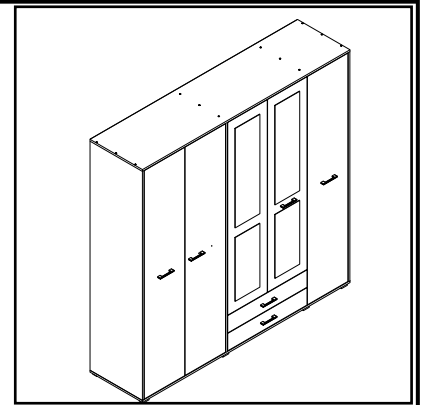
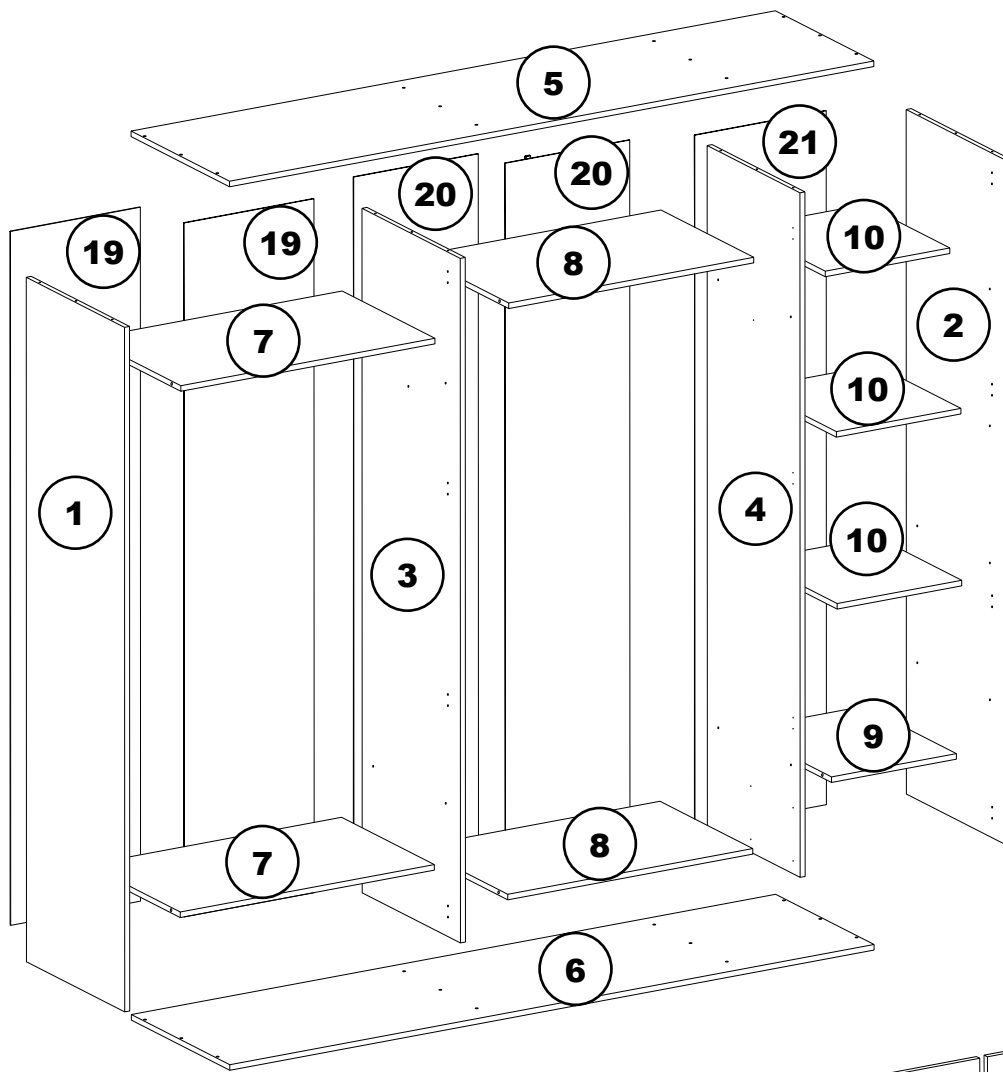
D U L A P D5+2S



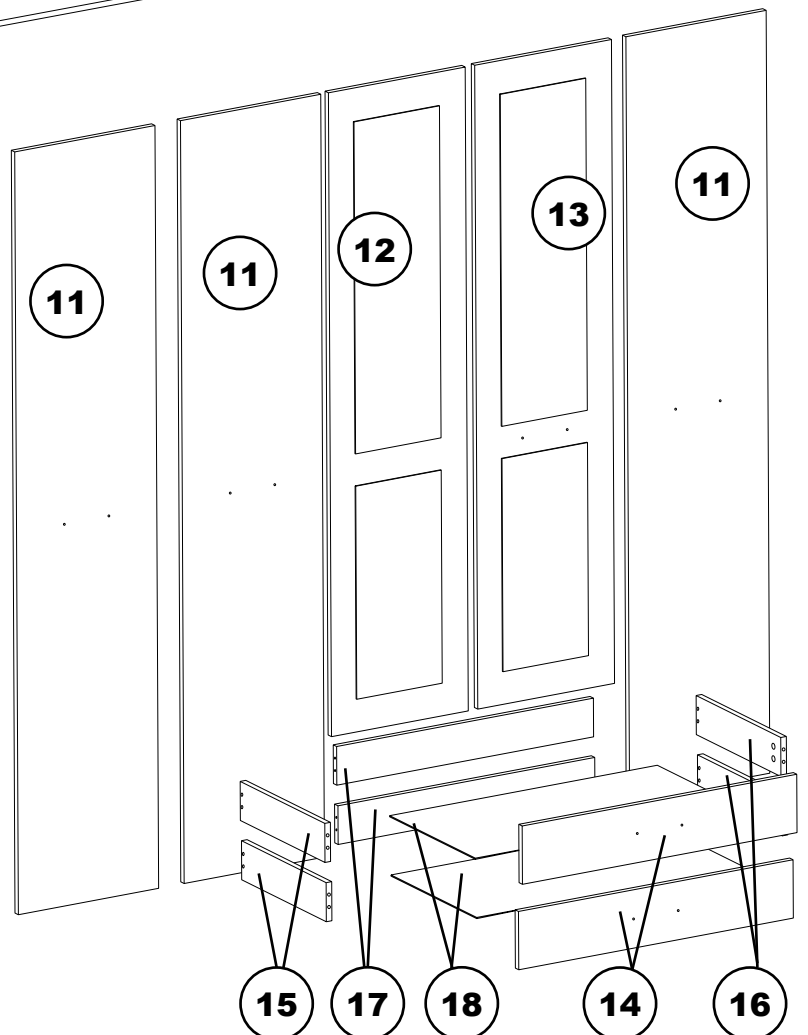
BL03  x 15	BA02  x 3	BU01  x 2
DC01  x 28	CT01  X ≈180	GR 40  x 2 CR1 DL2 CL1 DR2
PD05  X 8	MP 128  x 6	HH04  x 1
SA01  x 12	PH01  x 2	SB01  X 4
SM27  4x27mm x 12	SI11  x 100	SI15  25mm X 16
	SE50  x 32	DT01  x 28

Dormitor CALIN

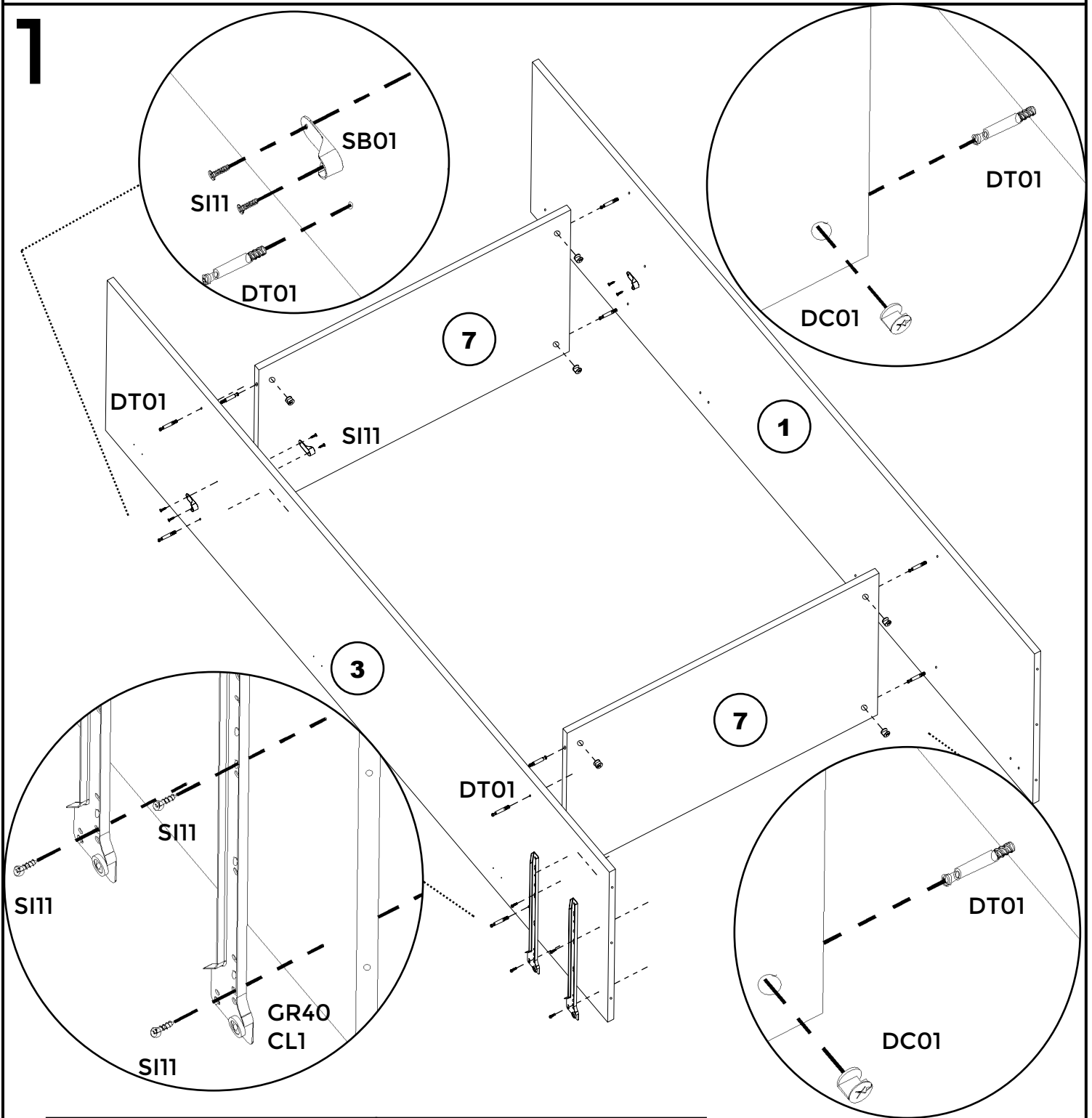
D U L A P D5+2S

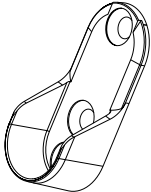
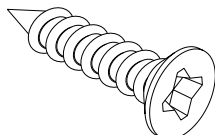
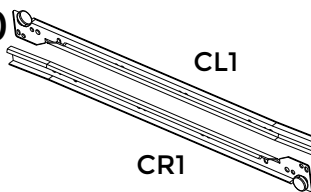
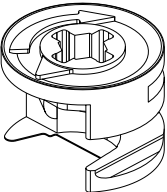
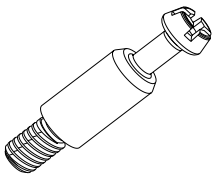


NR	COD	Buc	NR	COD	Buc
1	0301	1	12	0211	1
2	0102	1	13	0314	1
3	0303	1	14	0315	2
4	0304	1	15	0215	2
5	0305	1	16	0216	2
6	0306	1	17	0317	2
7	0307	2	18	0318	2
8	0308	2	19	0319	2
9	0309	1	20	0320	2
10	0310	3	21	0321	1
11	0109	3			

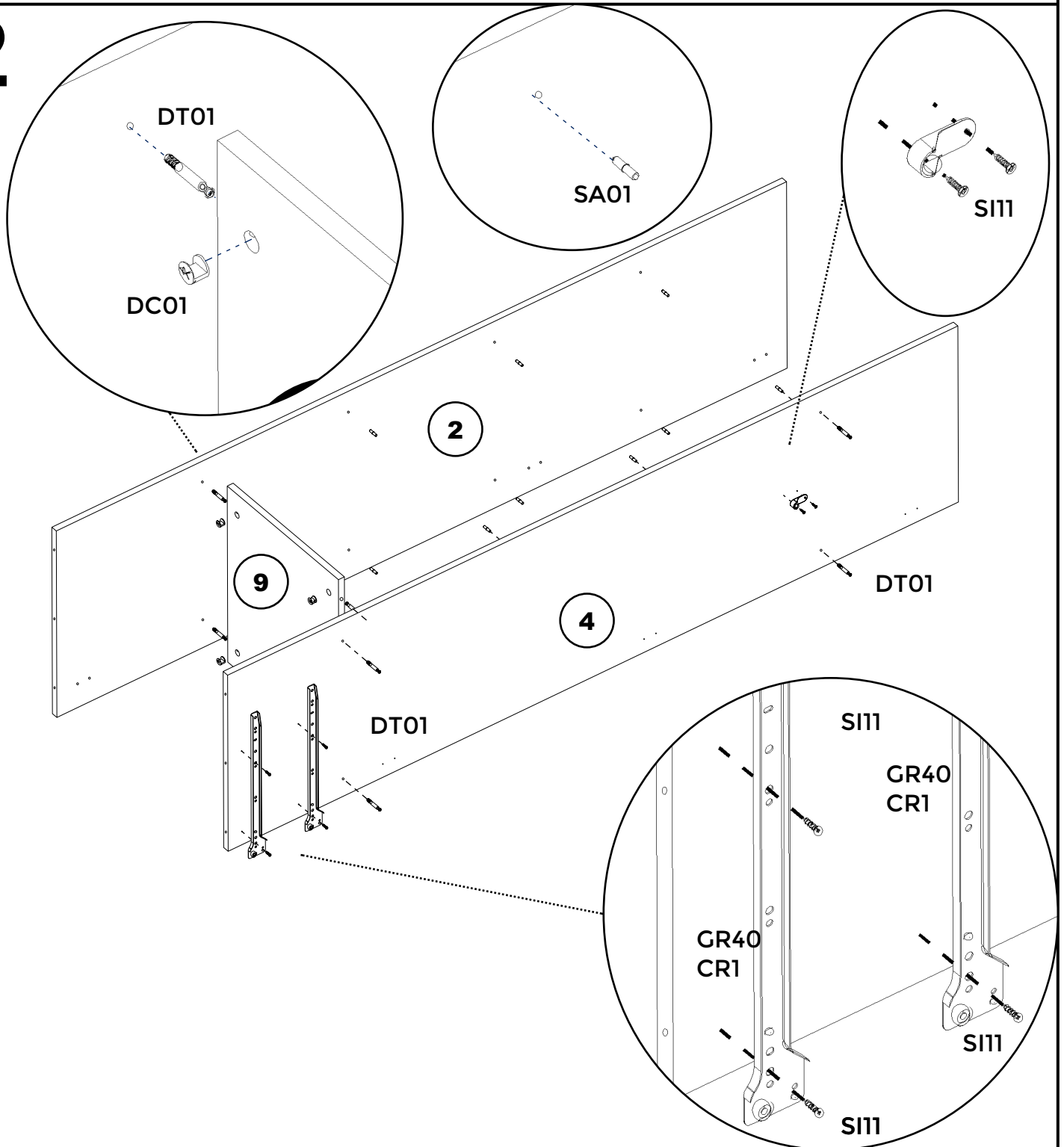


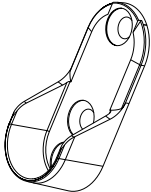
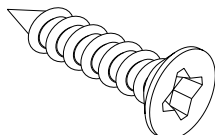
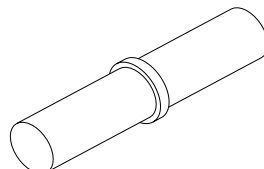
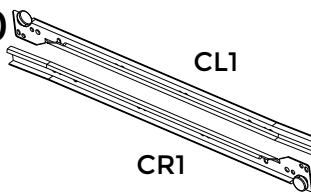
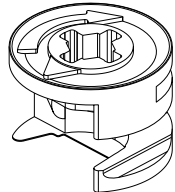
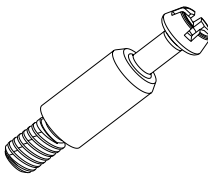
1



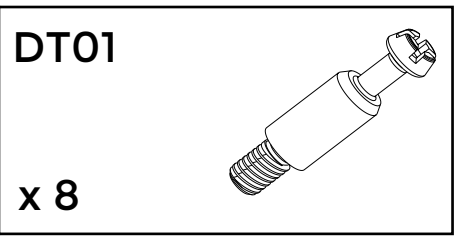
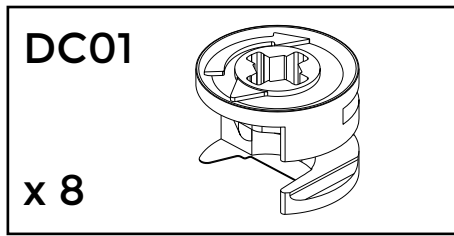
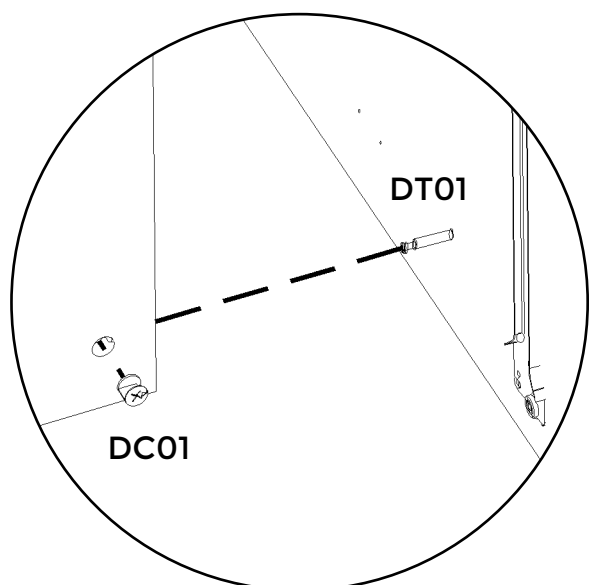
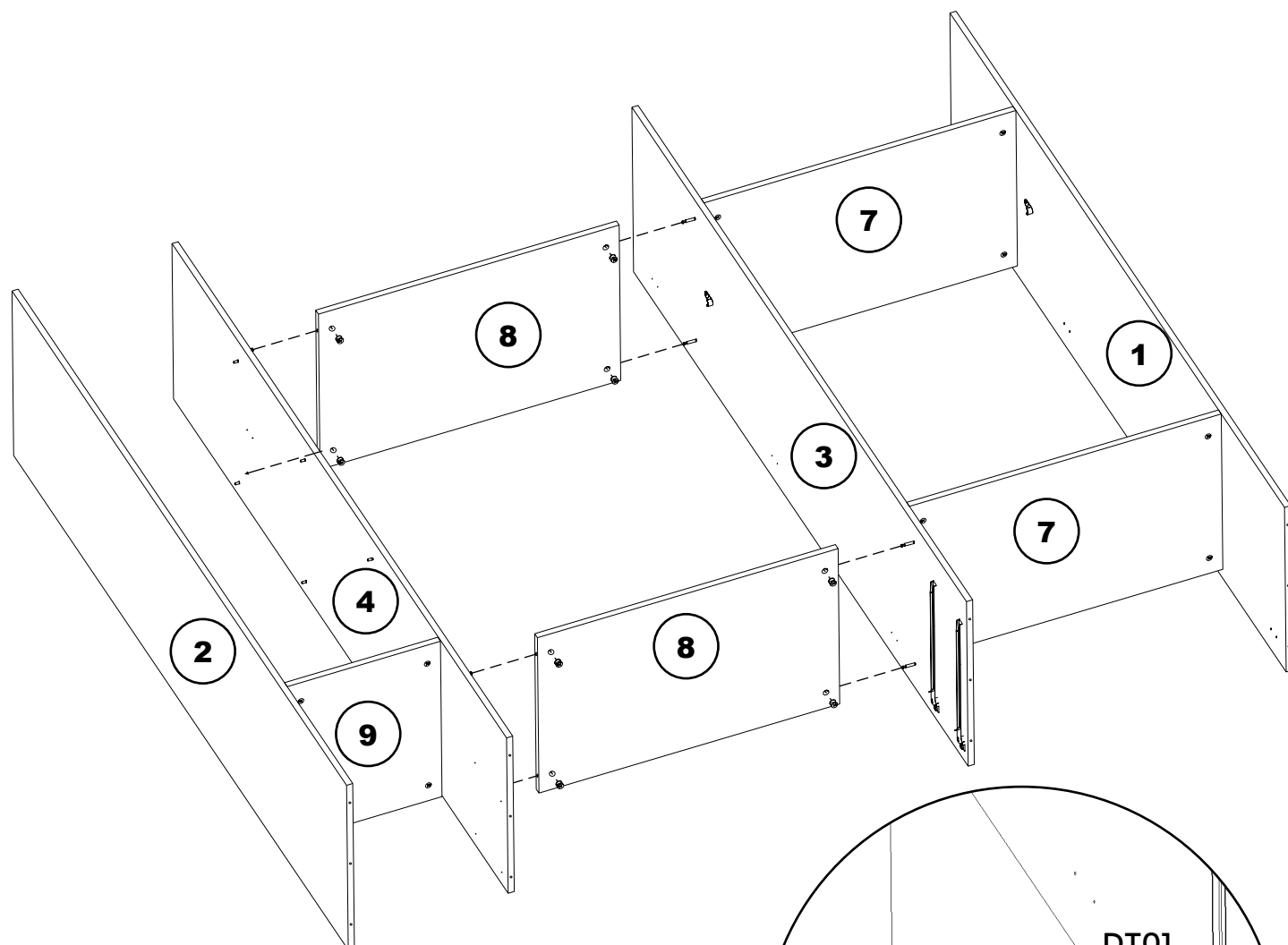
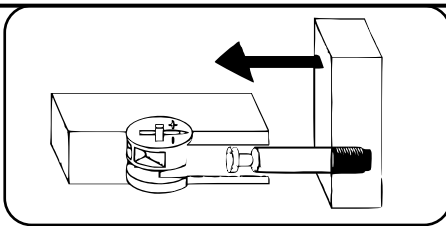
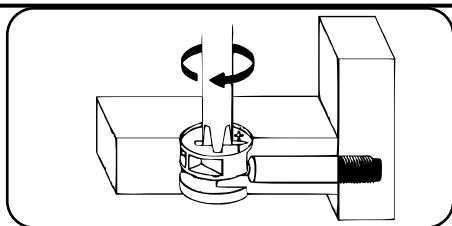
<p>SB01</p>  <p>x 3</p>	<p>SI11</p>  <p>x 10</p>
<p>GR 40</p>  <p>CL1</p> <p>CR1</p> <p>x 2</p>	<p>DC01</p>  <p>x 8</p>
<p>DT01</p>  <p>x 12</p>	

2

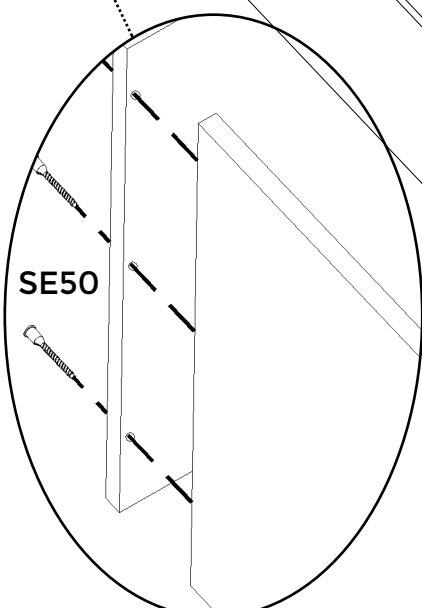
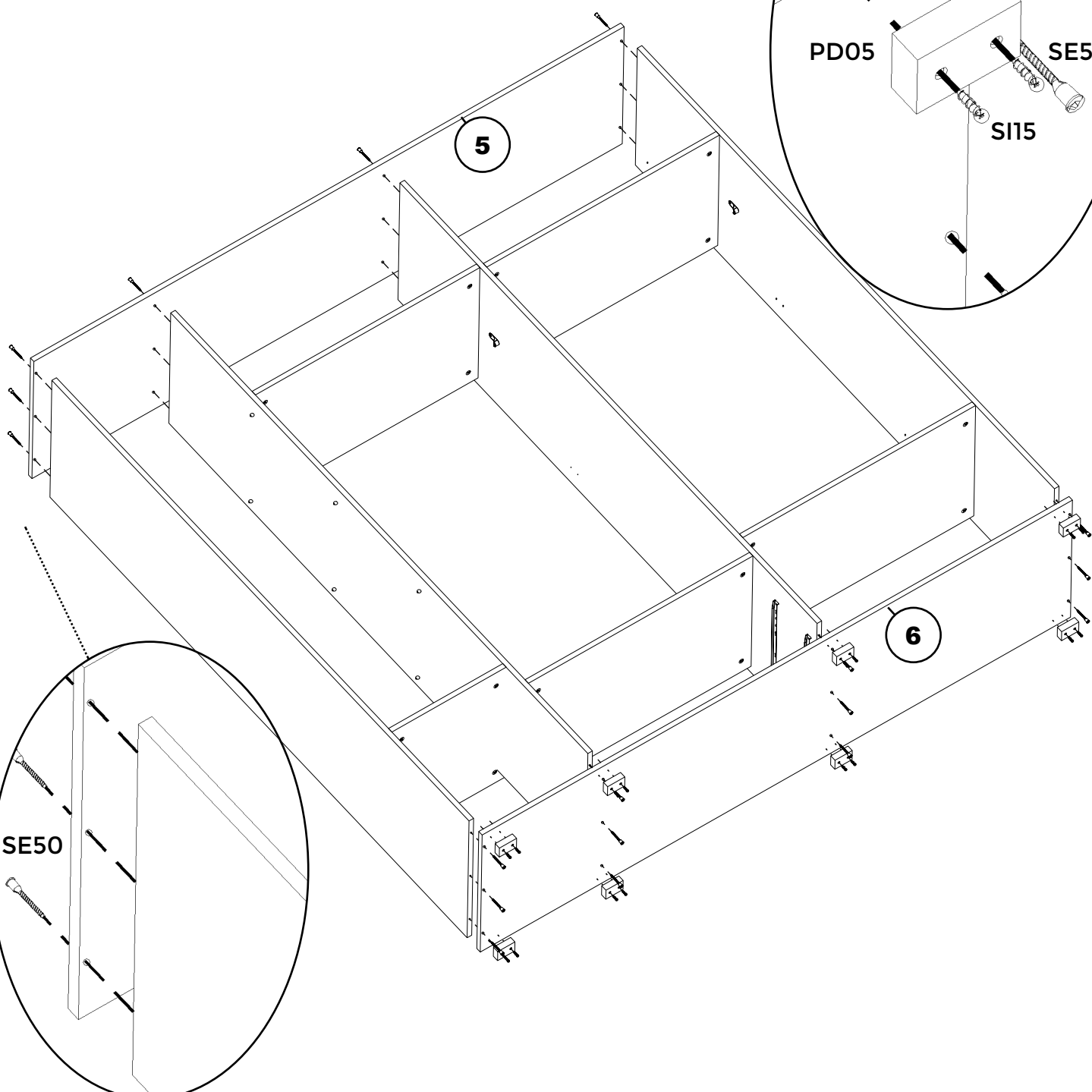
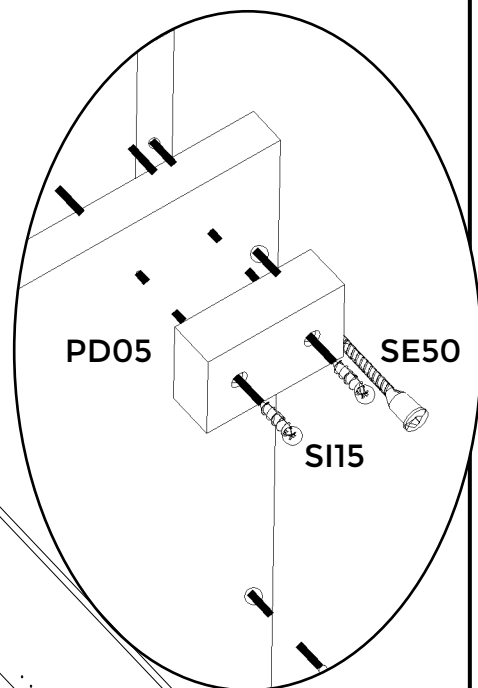
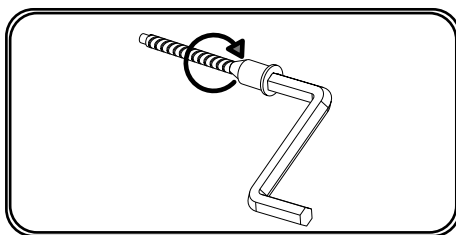


<p>SB01</p>  <p>x 1</p>	<p>SI11</p>  <p>x 6</p>	<p>SA01</p>  <p>x 12</p>
<p>GR 40</p>  <p>CL1</p> <p>CR1</p> <p>x 2</p>	<p>DC01</p>  <p>x 4</p>	<p>DT01</p>  <p>x 8</p>

3



4

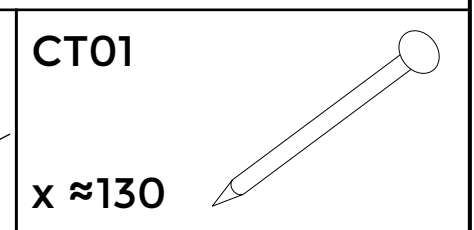
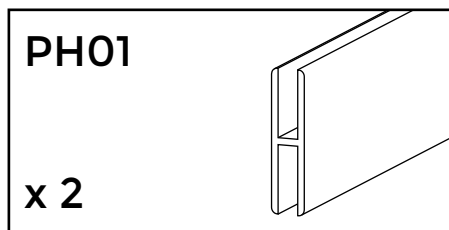
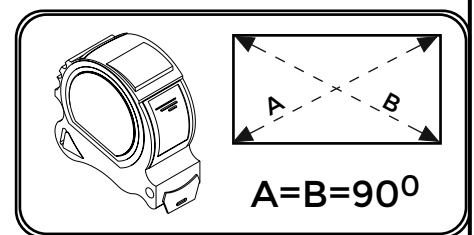
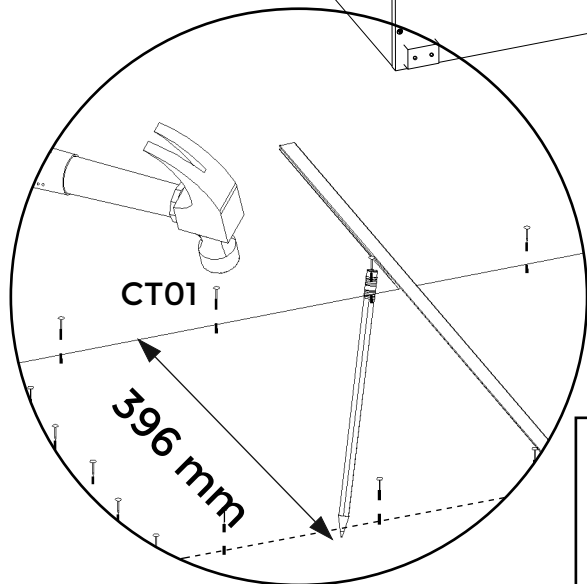
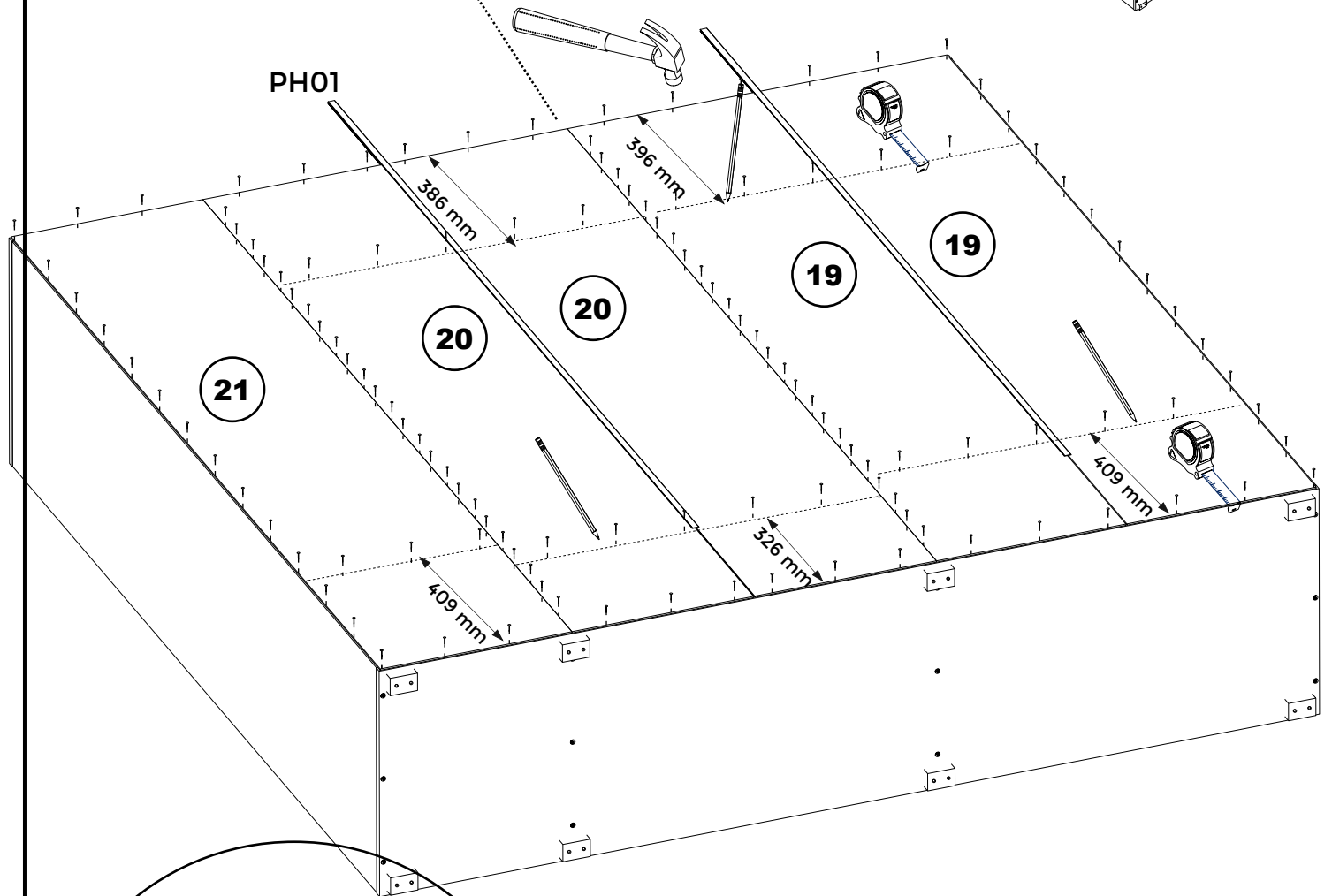
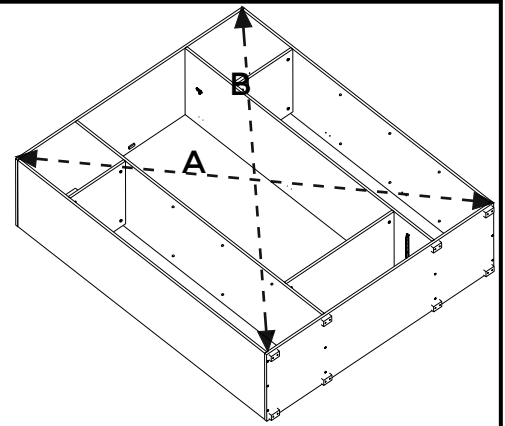
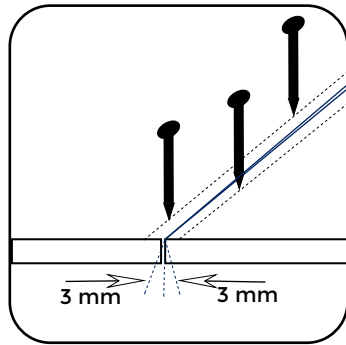


PD05
X 8

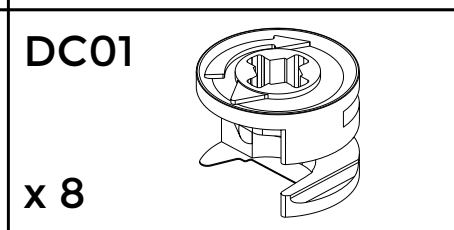
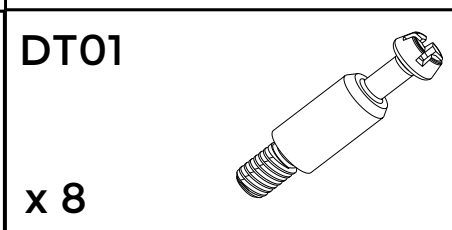
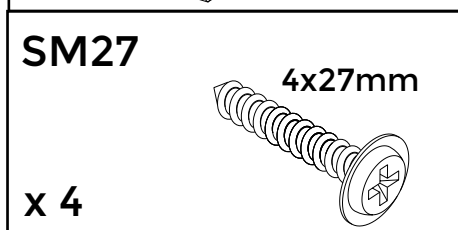
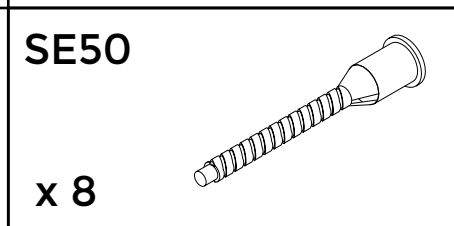
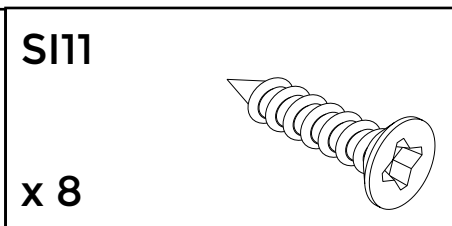
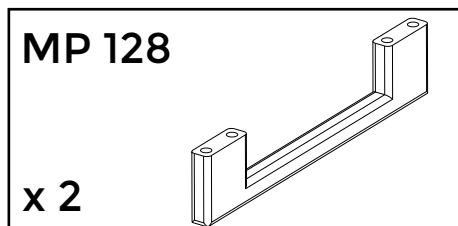
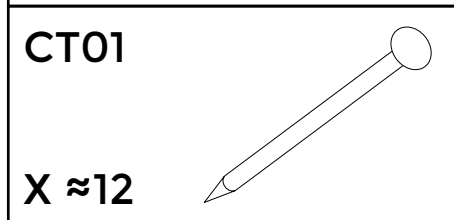
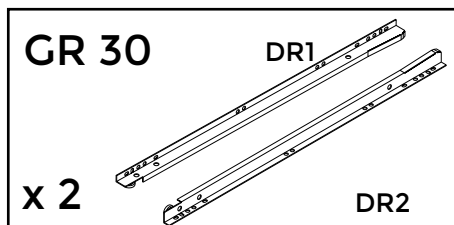
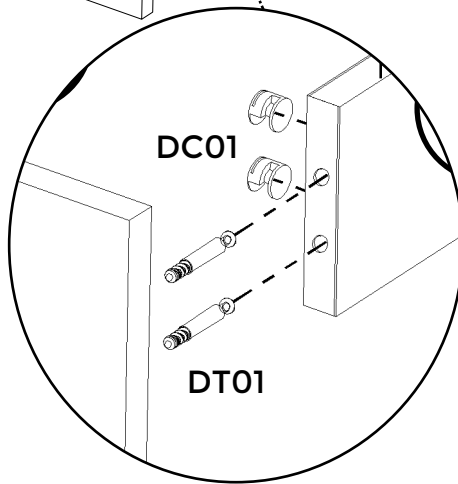
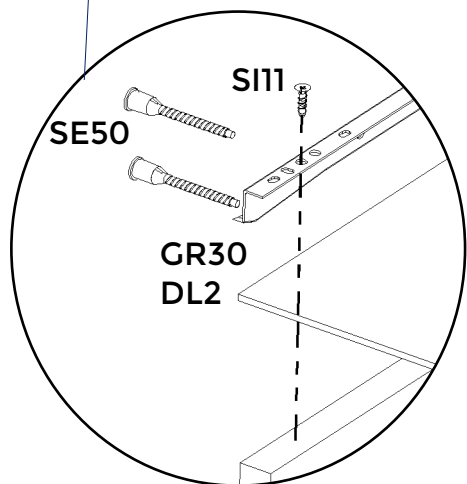
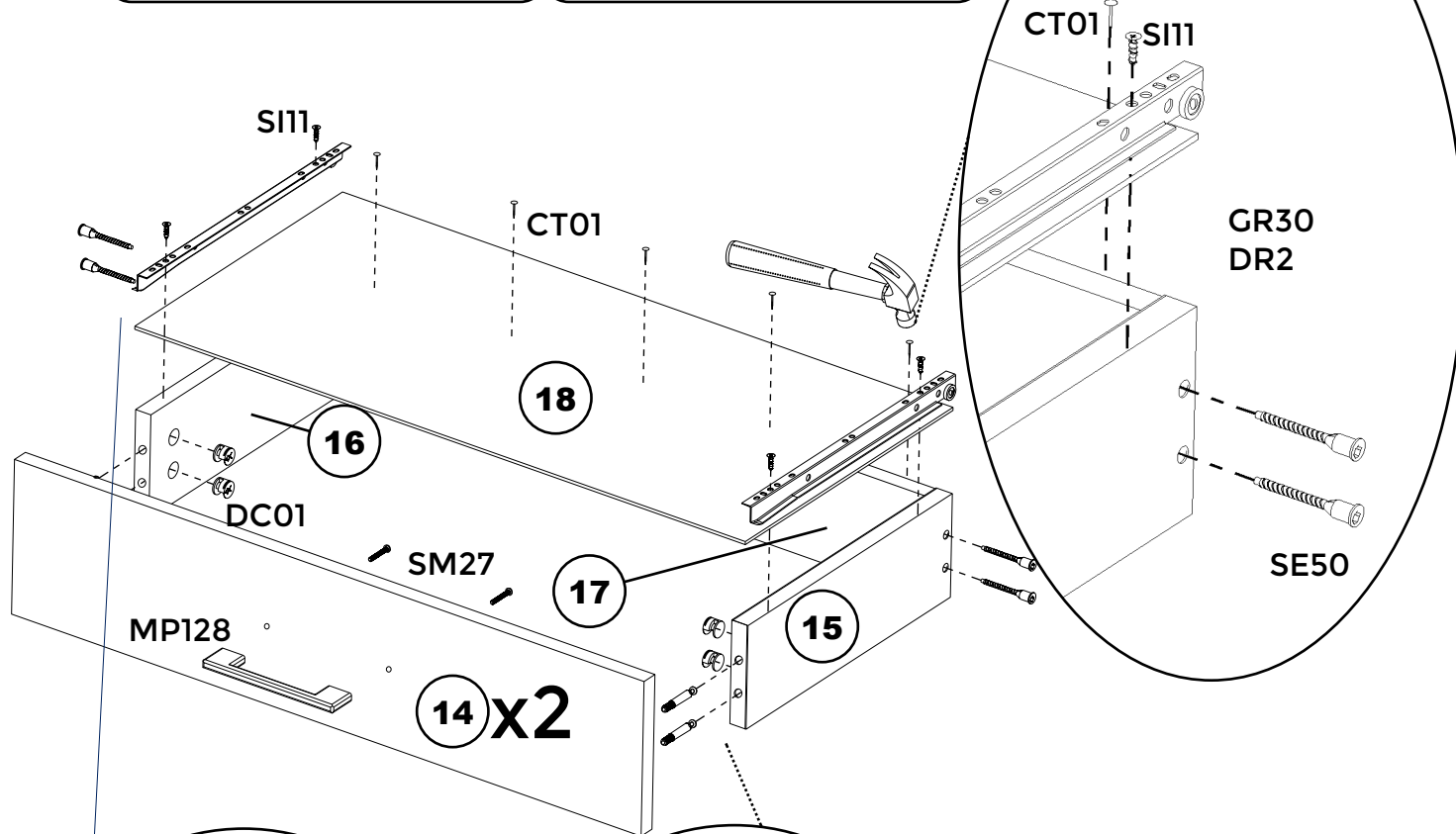
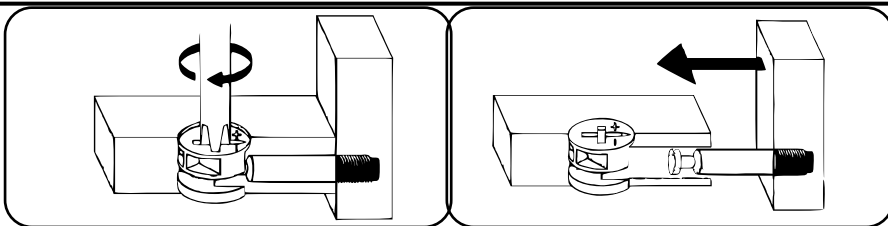
SI15
25mm
X 16

SE50
x 24

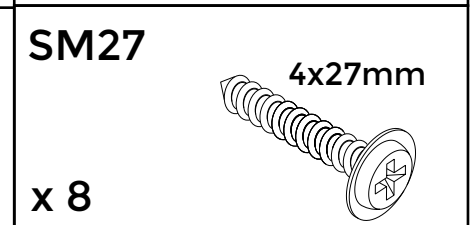
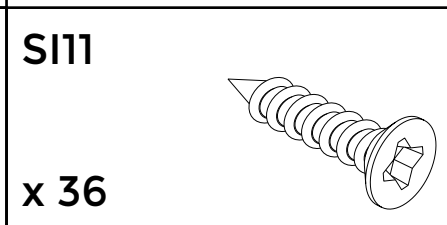
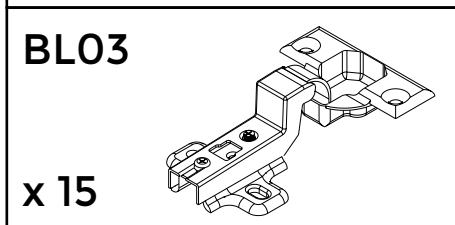
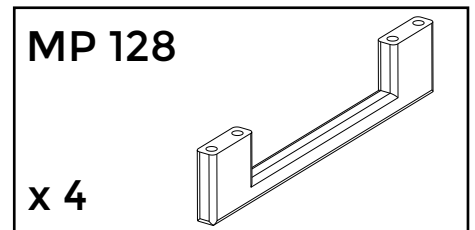
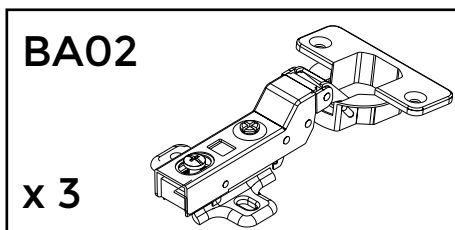
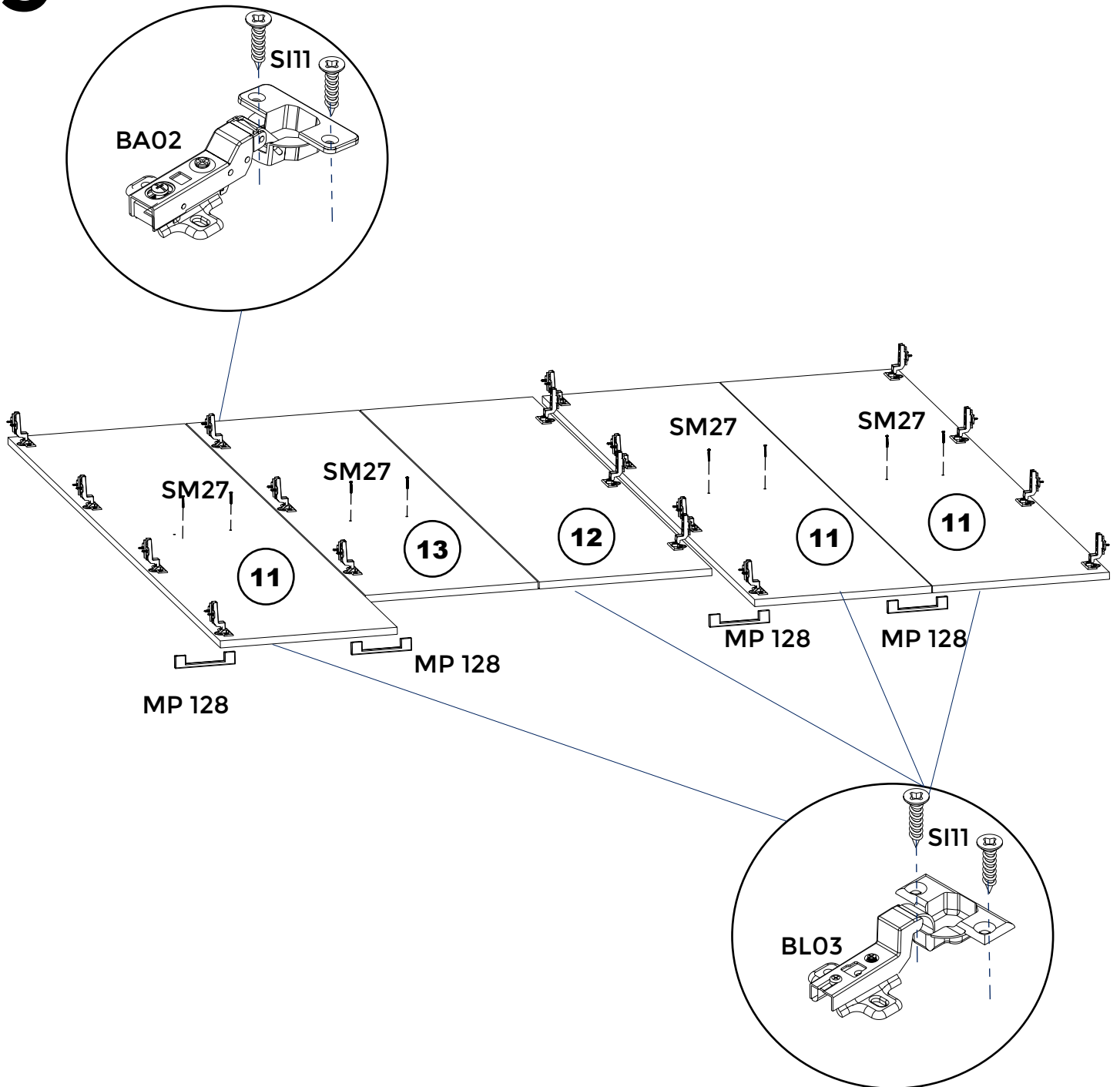
5



4



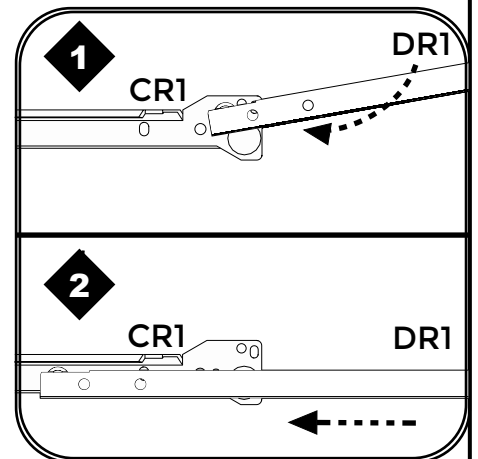
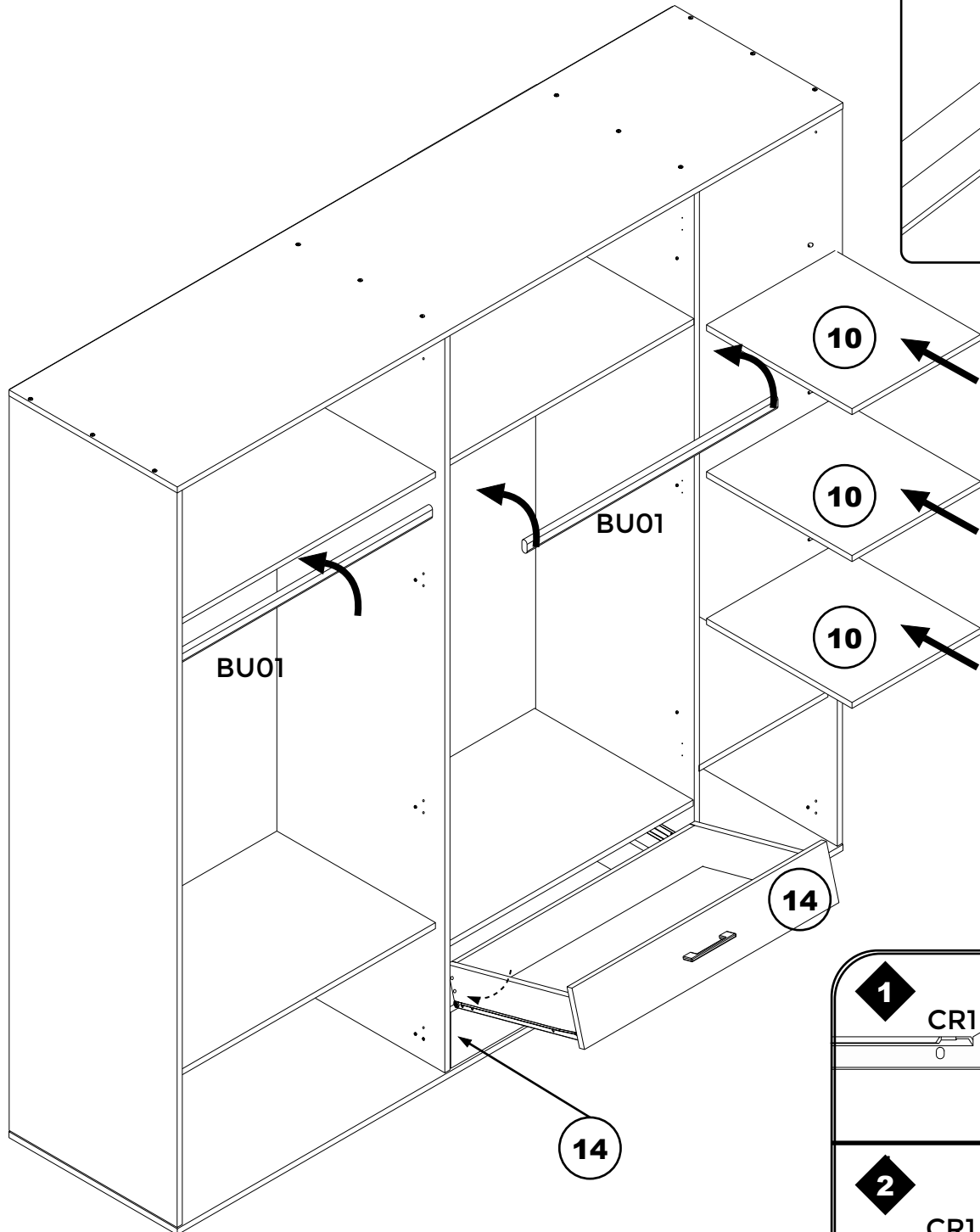
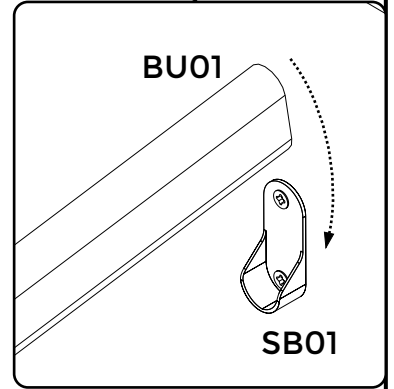
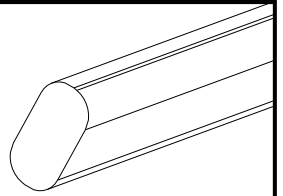
5



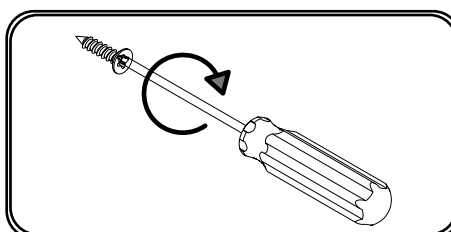
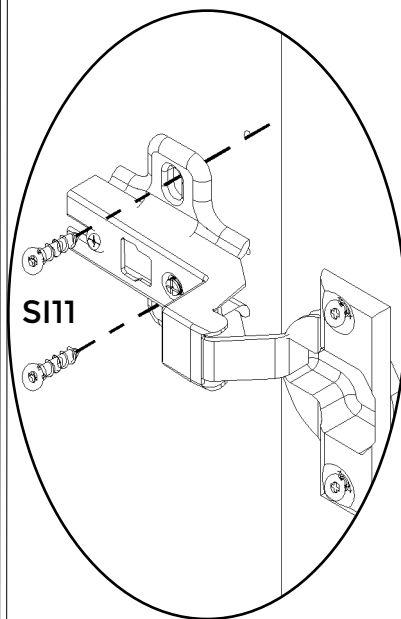
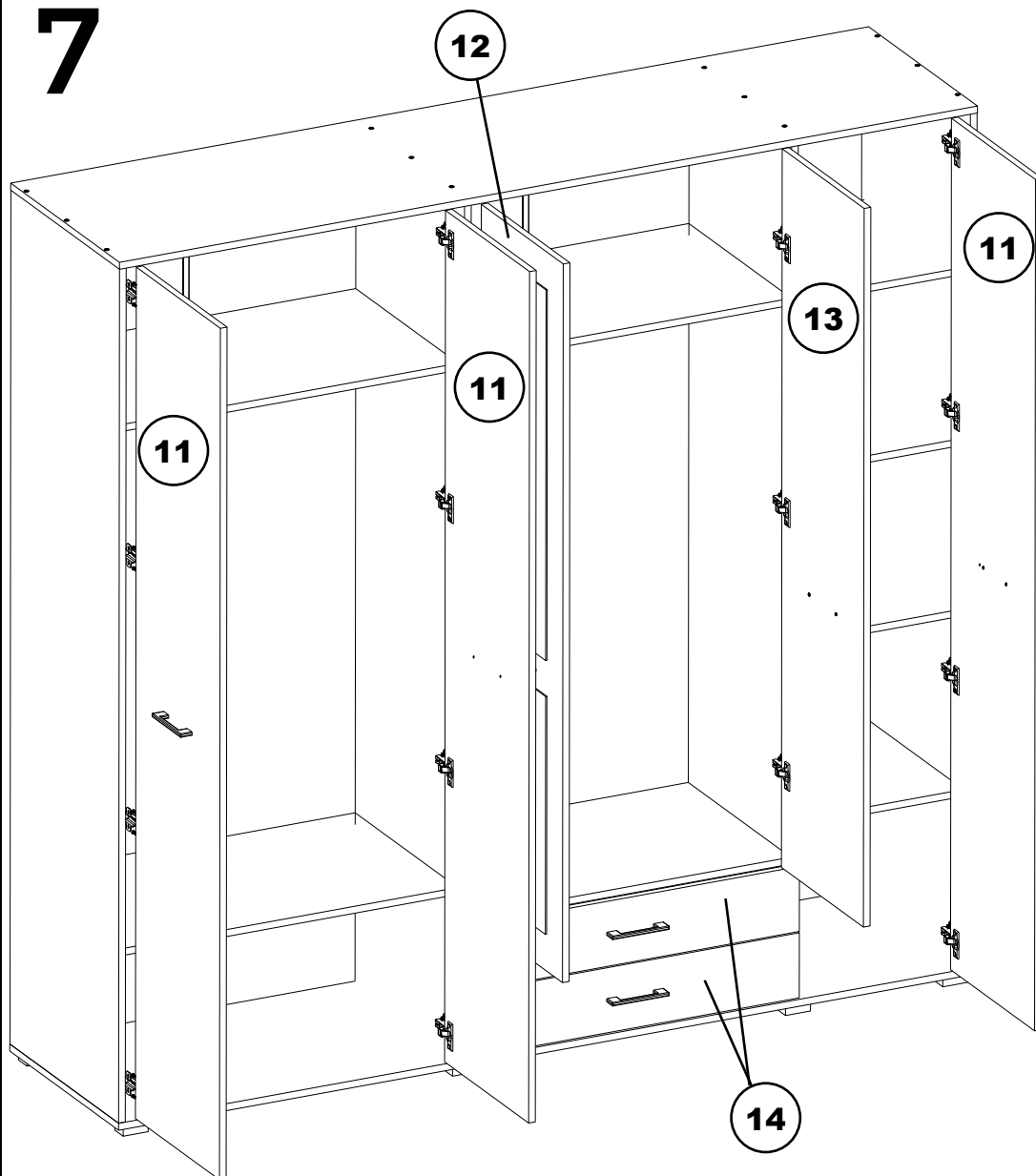
6

BU01

x 2



7



SI11

x 36

