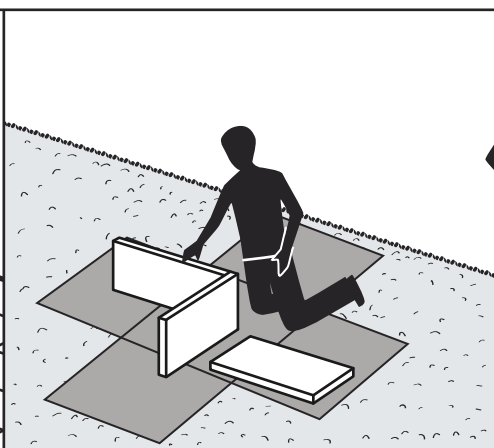
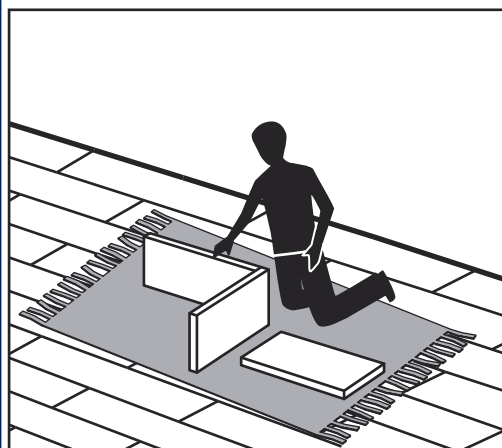
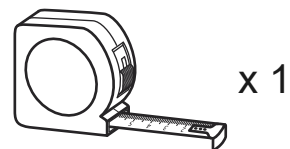
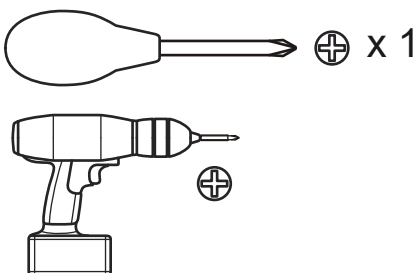
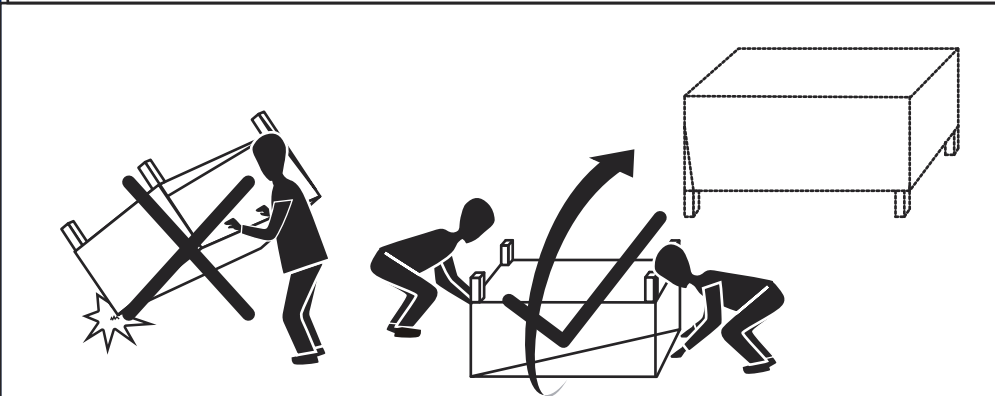
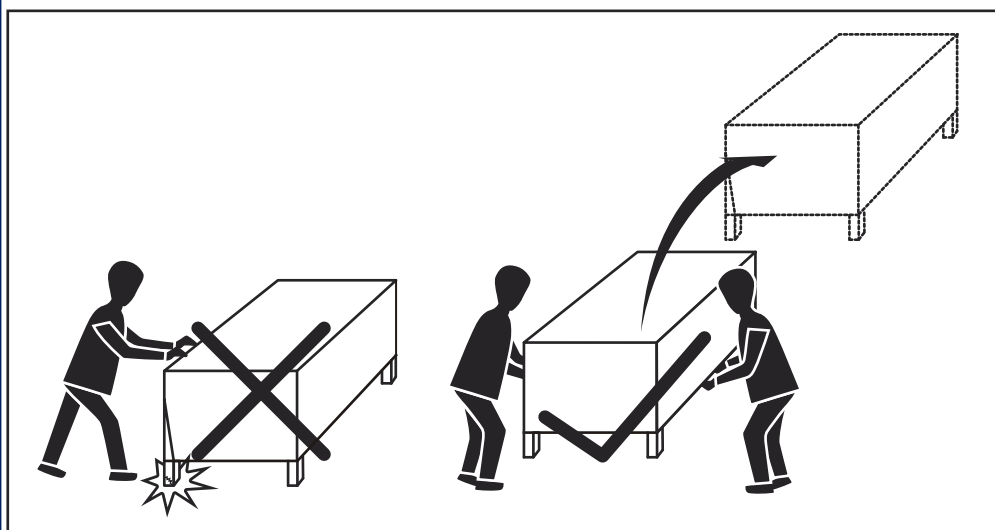
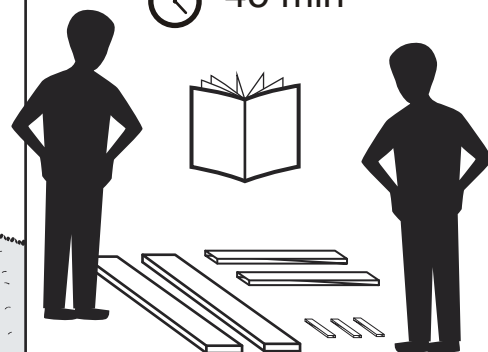


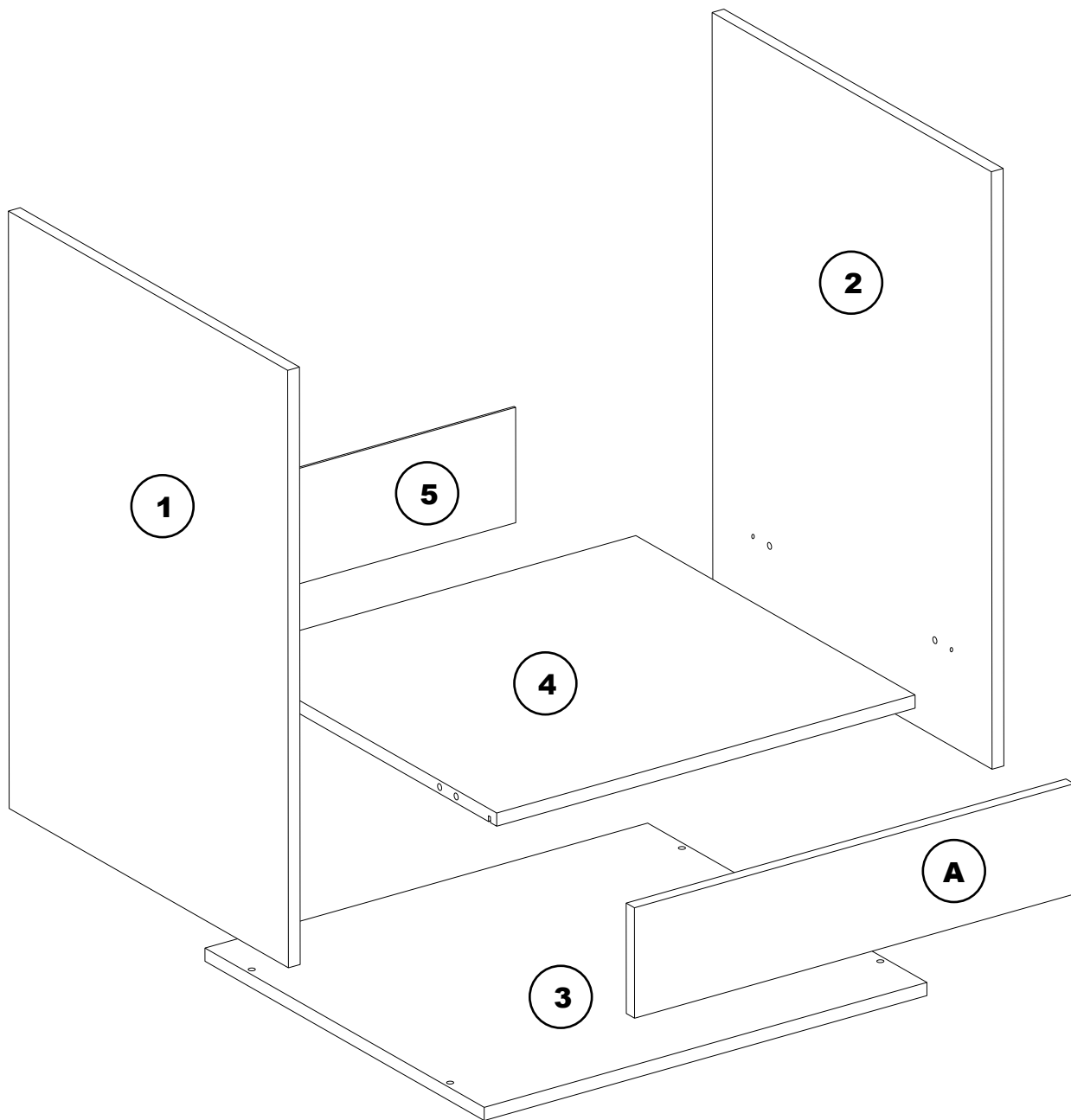
MATERIALE

Fronturi MDF/PAL
Carcasa Pal 16 mm
Spate HDF
Cant ABS 0.5 si 1 mm
Elemente de imbinare metalice si din lemn
Picioare plastic



🕒 45 min

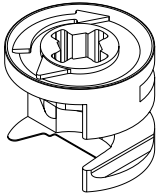
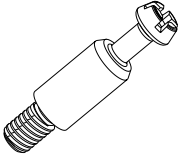
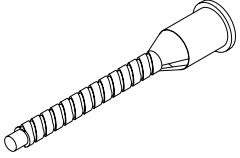
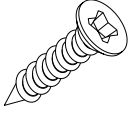
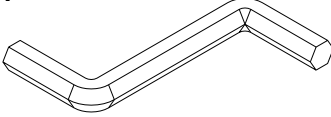
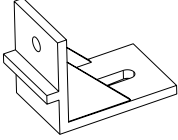
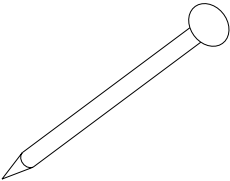
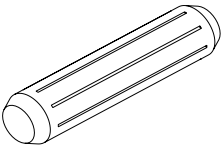
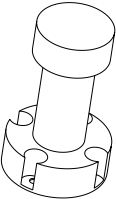




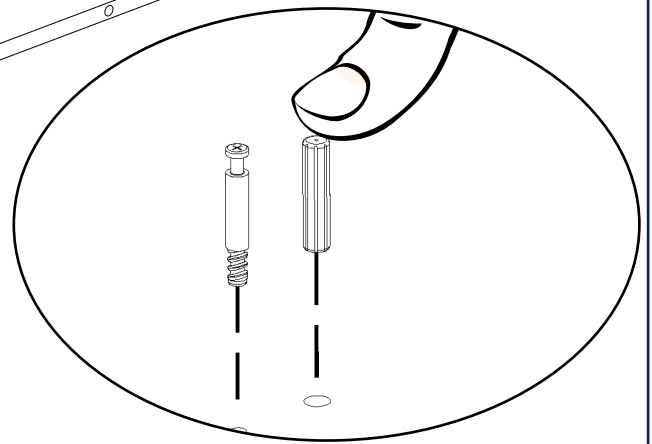
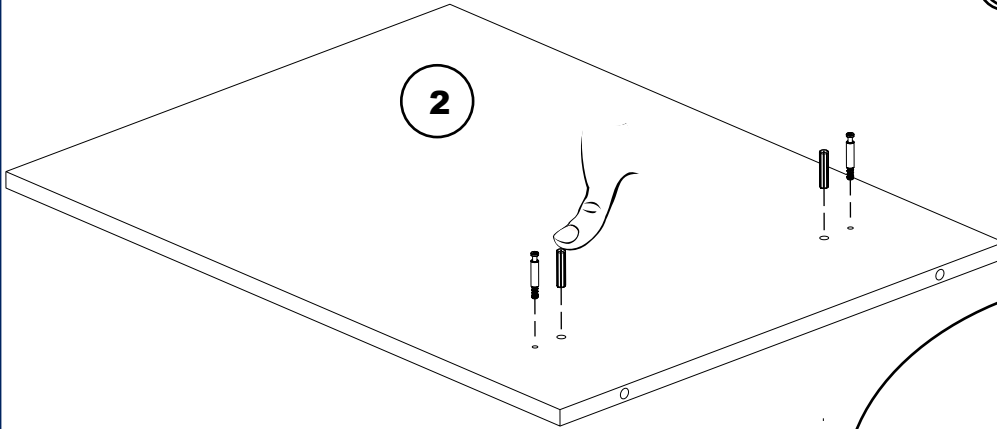
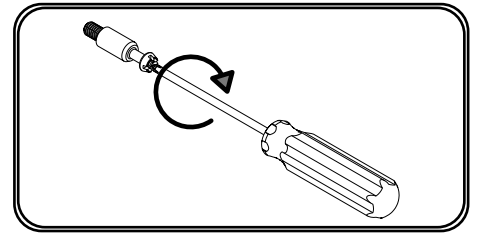
Nr	COD	BuC	Nr	COD	BuC	Nr	COD	BuC
1	0801	1	3	0803	1	5	0805	1
2	0802	1	4	0804	1	6	A	1

Bucatarii

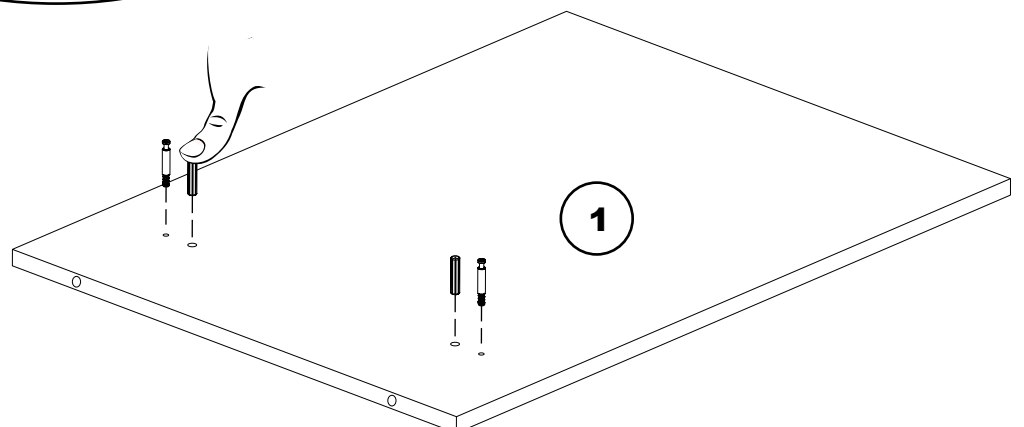
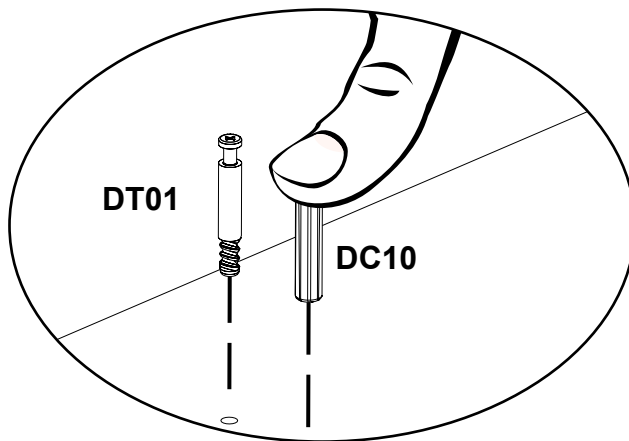
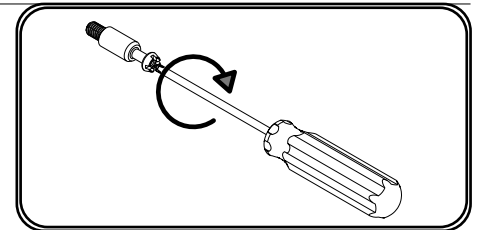
INFERIOR MASCA CUPTOR

DC01 x4		DT01 X4		SE50 x4	
SI11 x20		HH04 x1		CL15 x2	
CT01 ≈ 16		DC10 x4		PB01 x4	

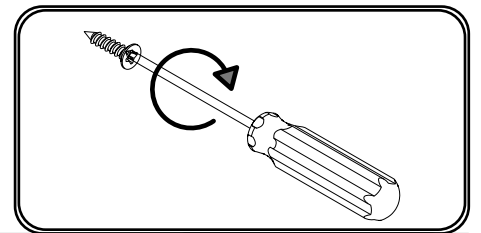
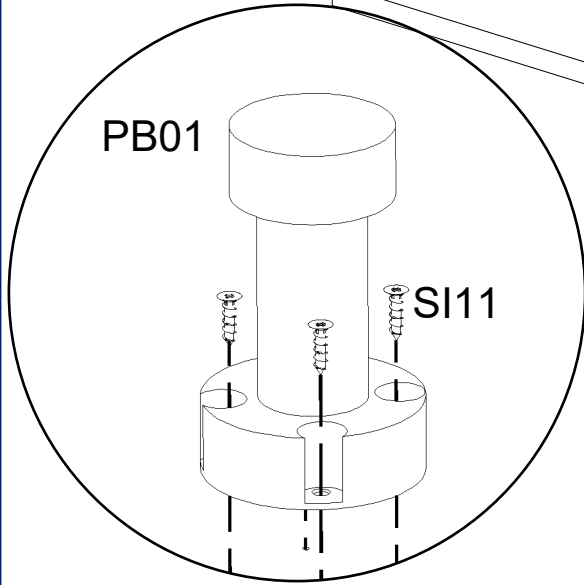
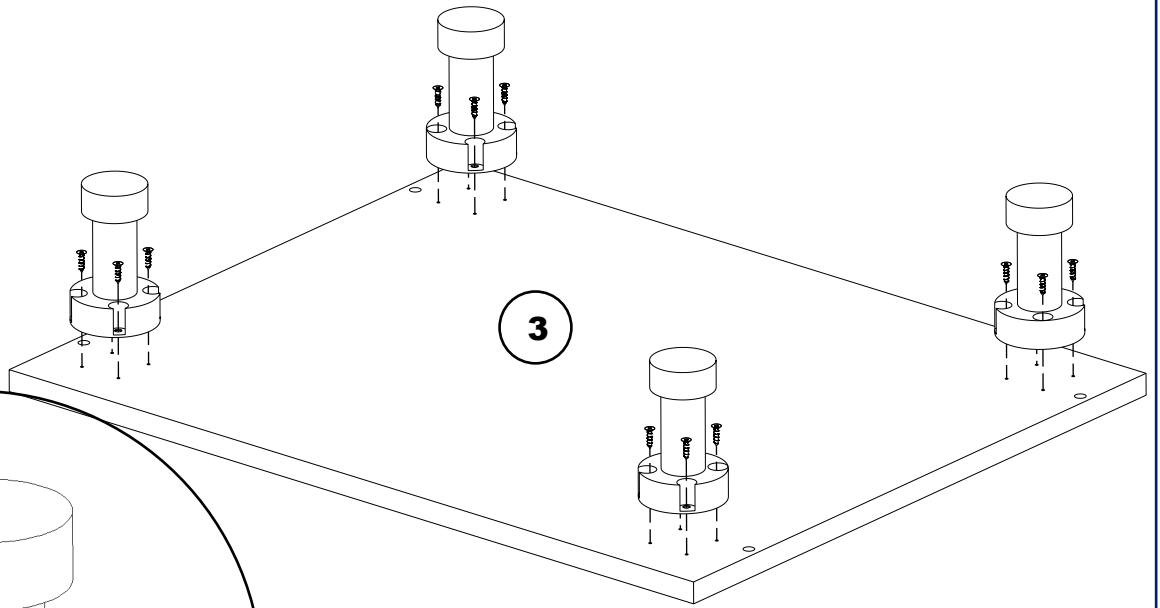
1



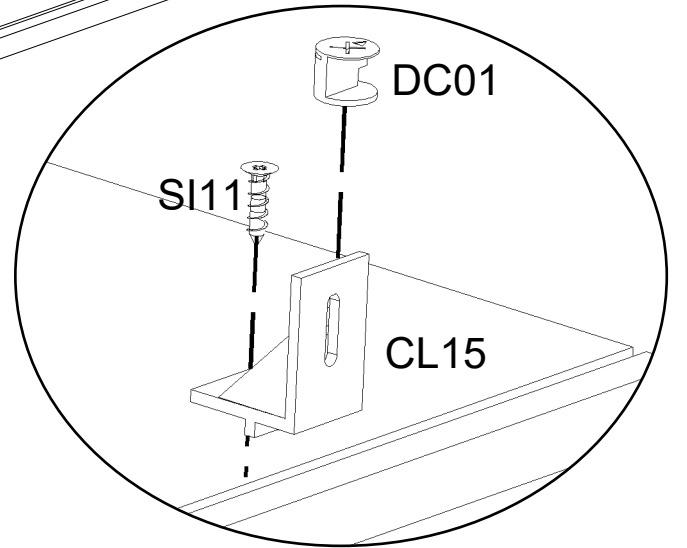
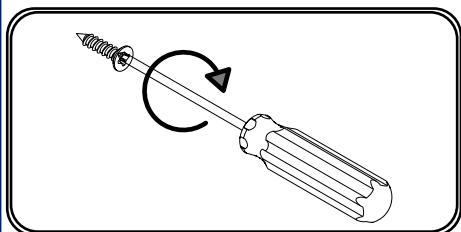
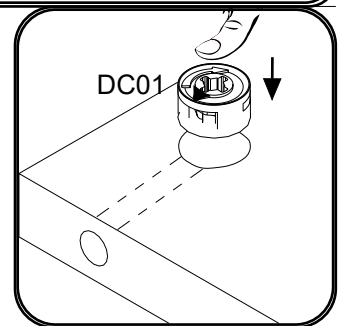
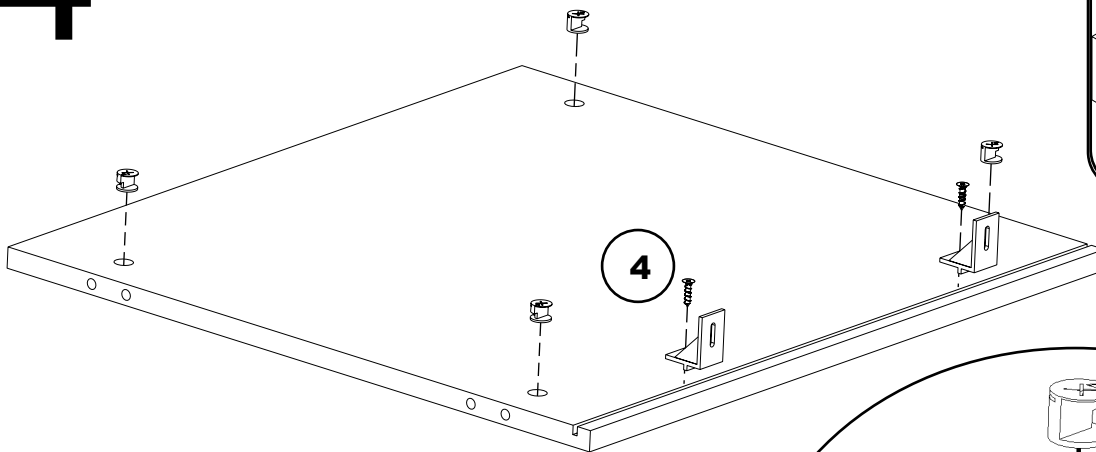
2



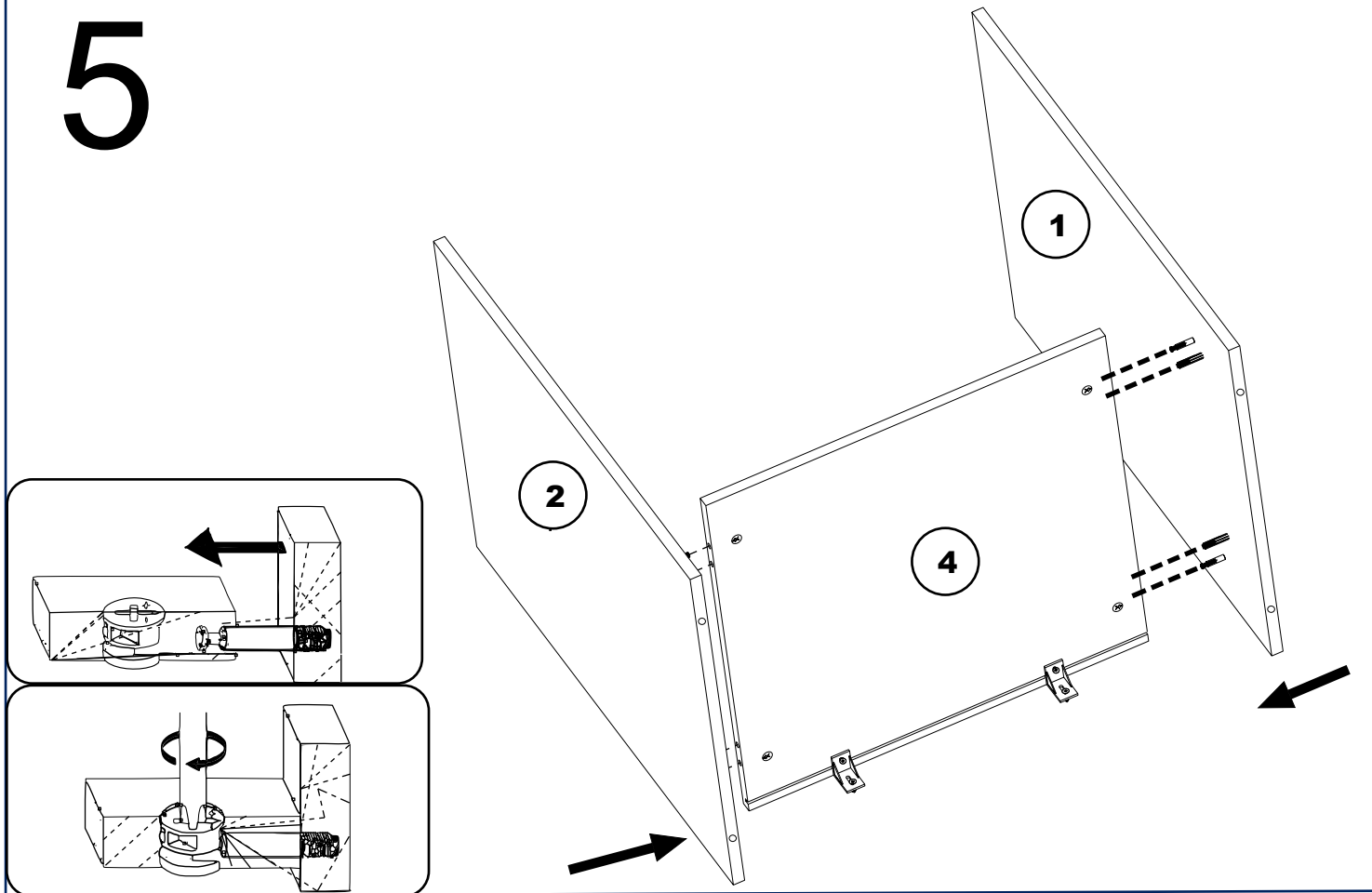
3



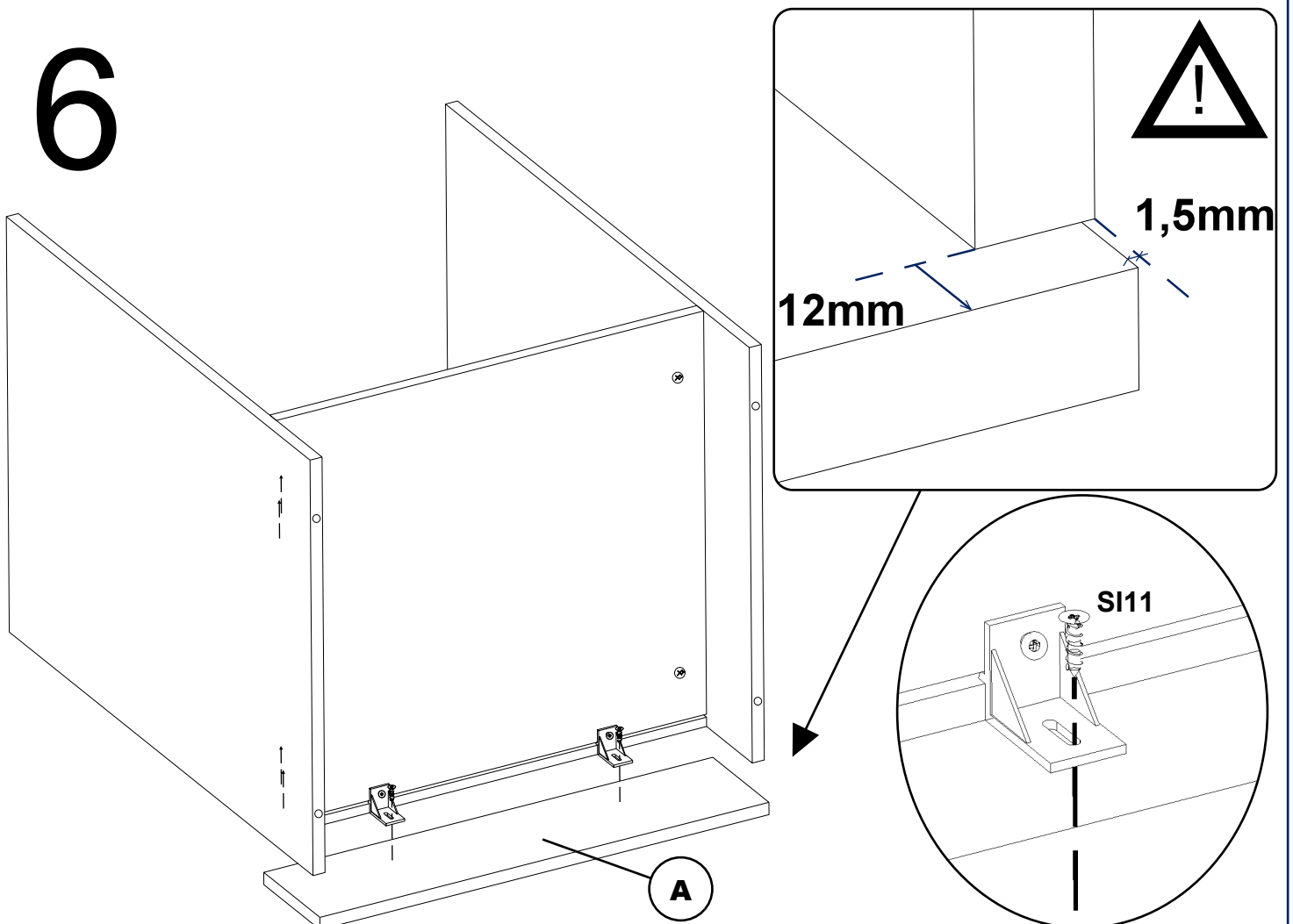
4



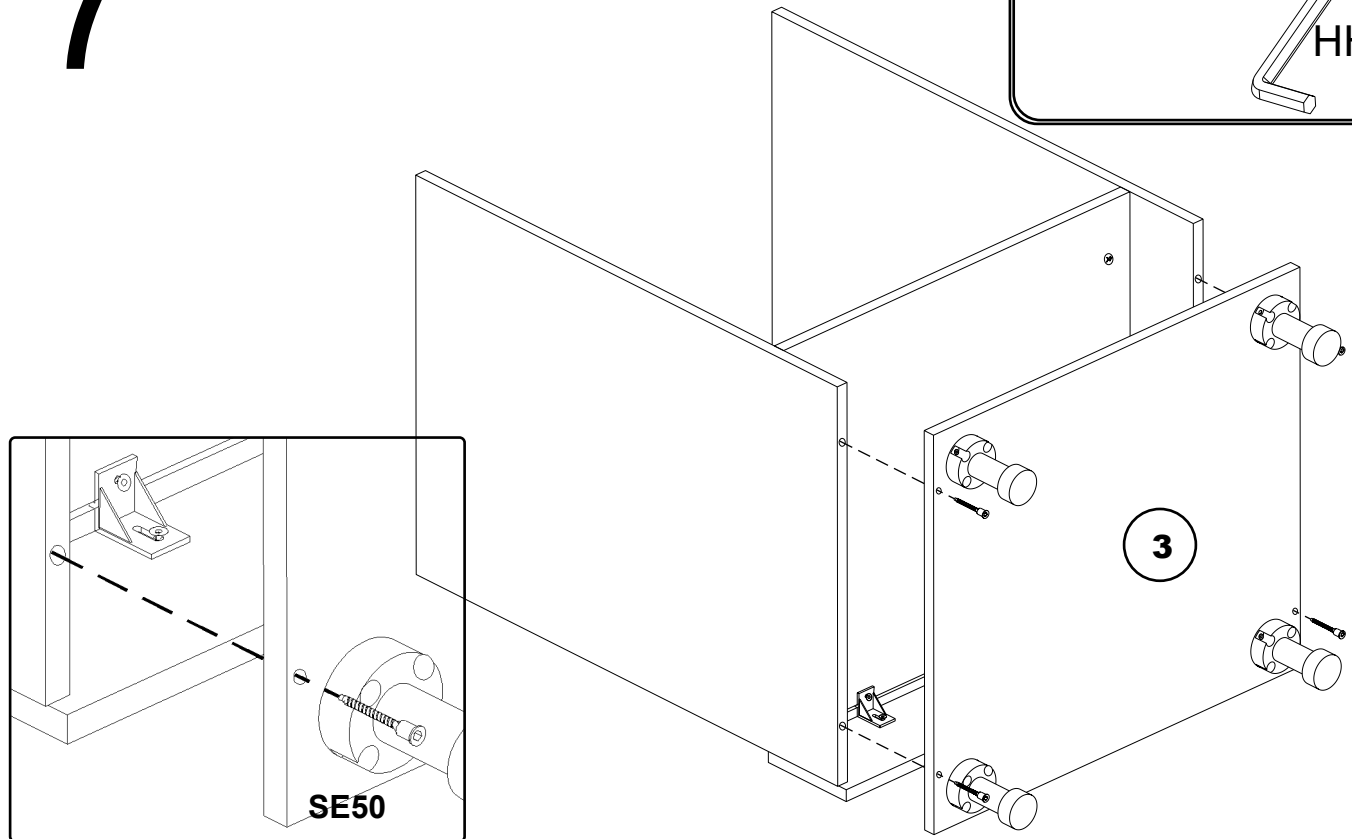
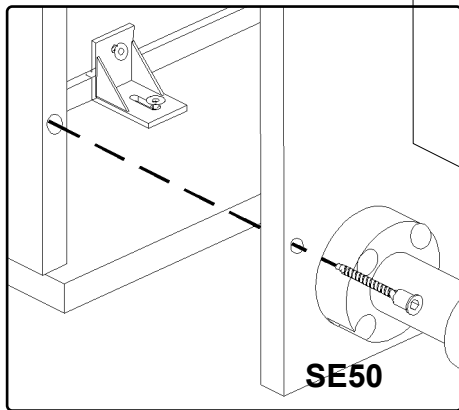
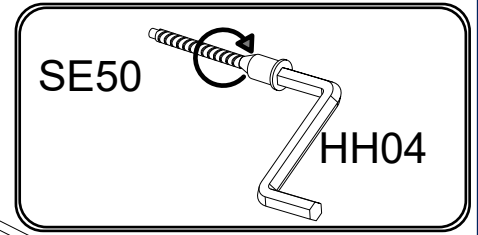
5



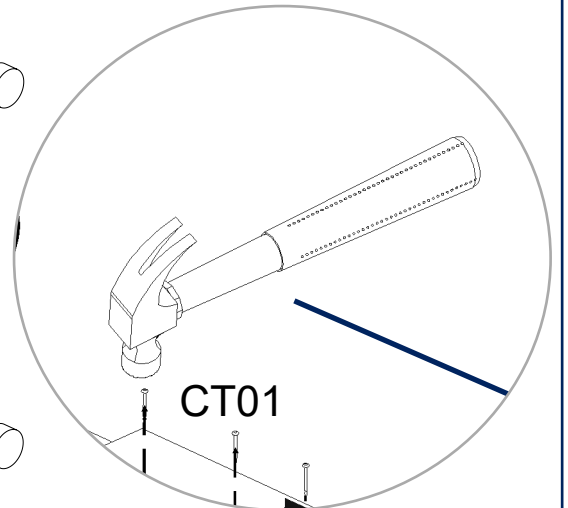
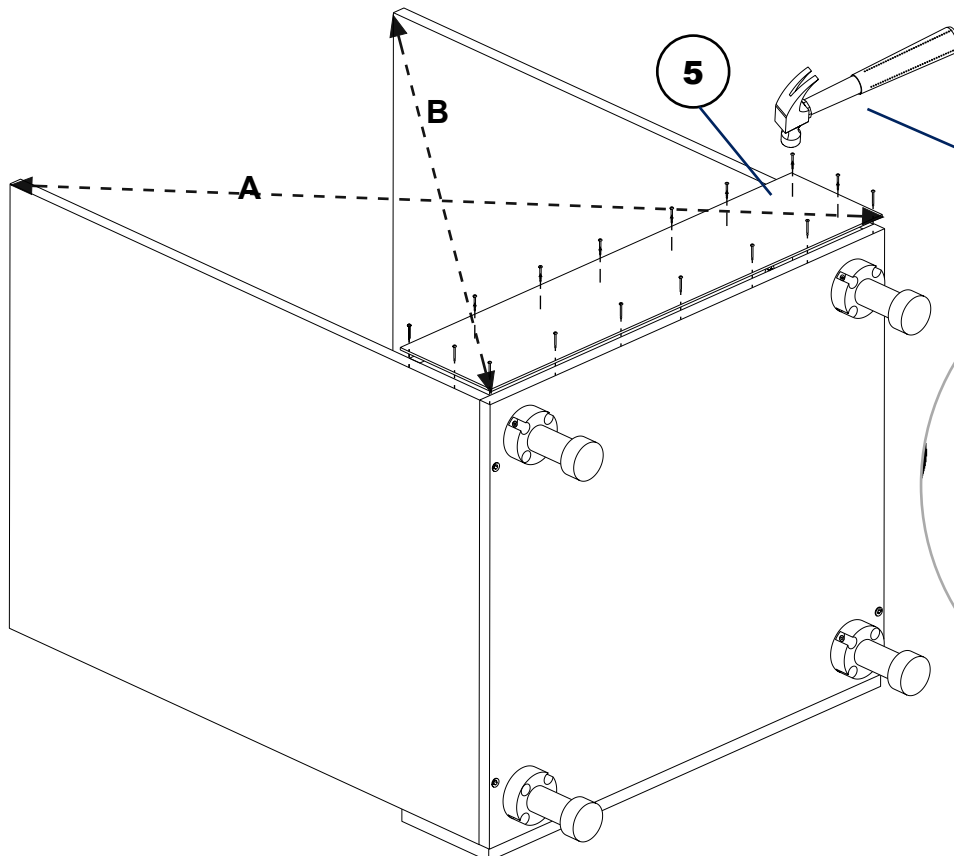
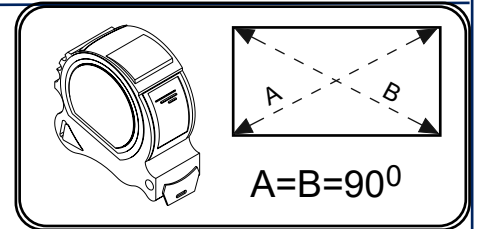
6

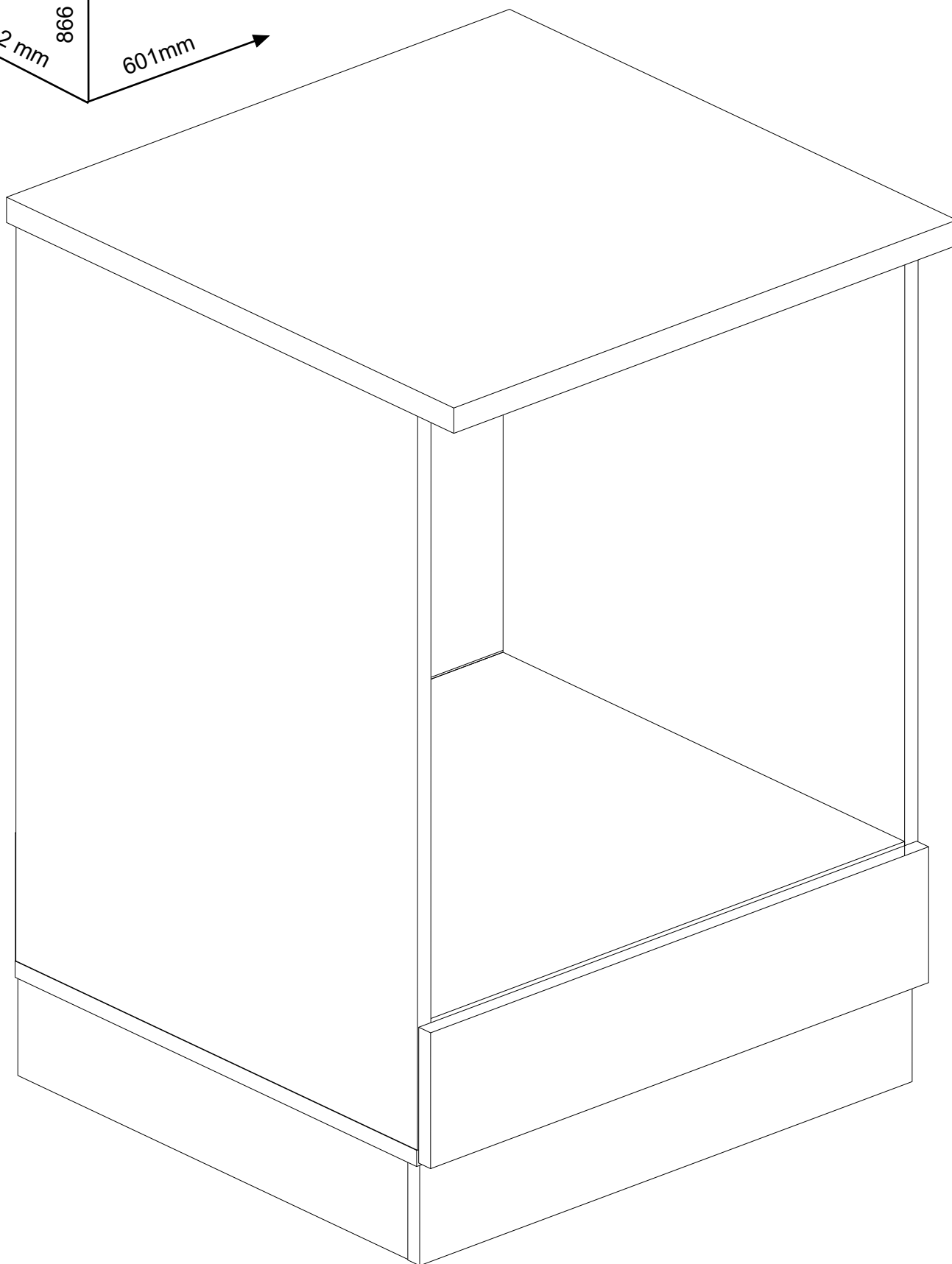
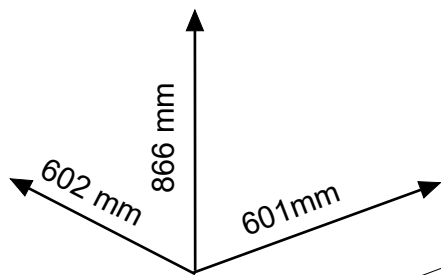


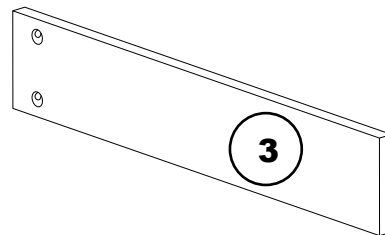
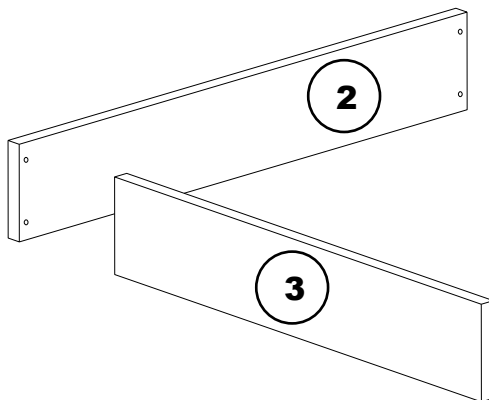
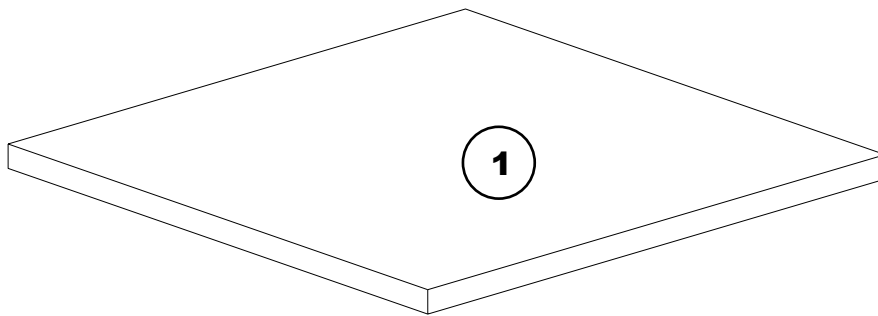
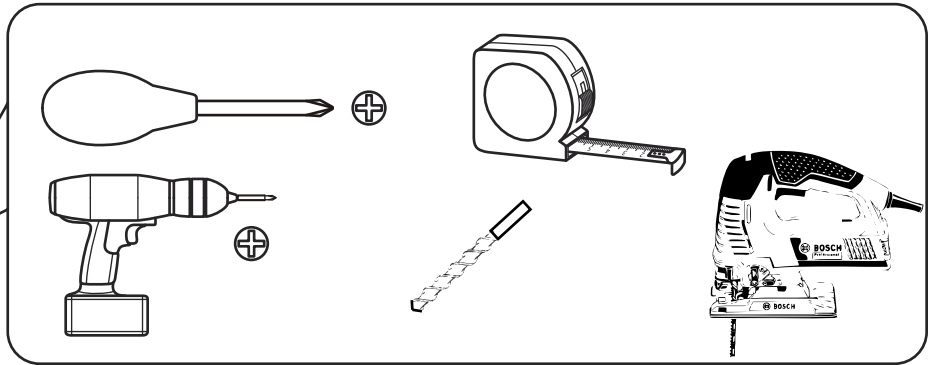
7




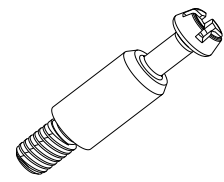
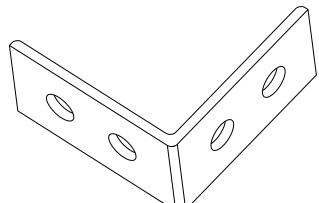
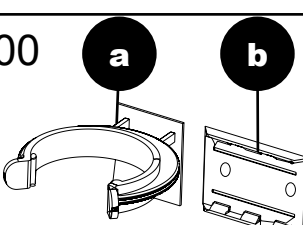
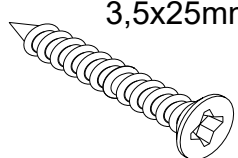
8







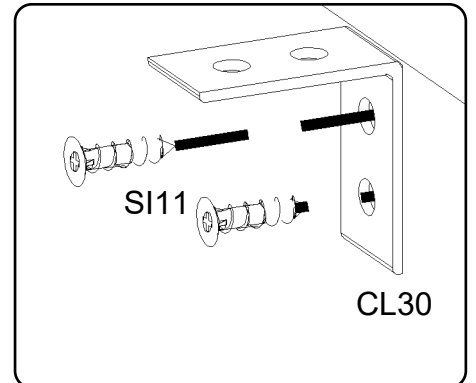
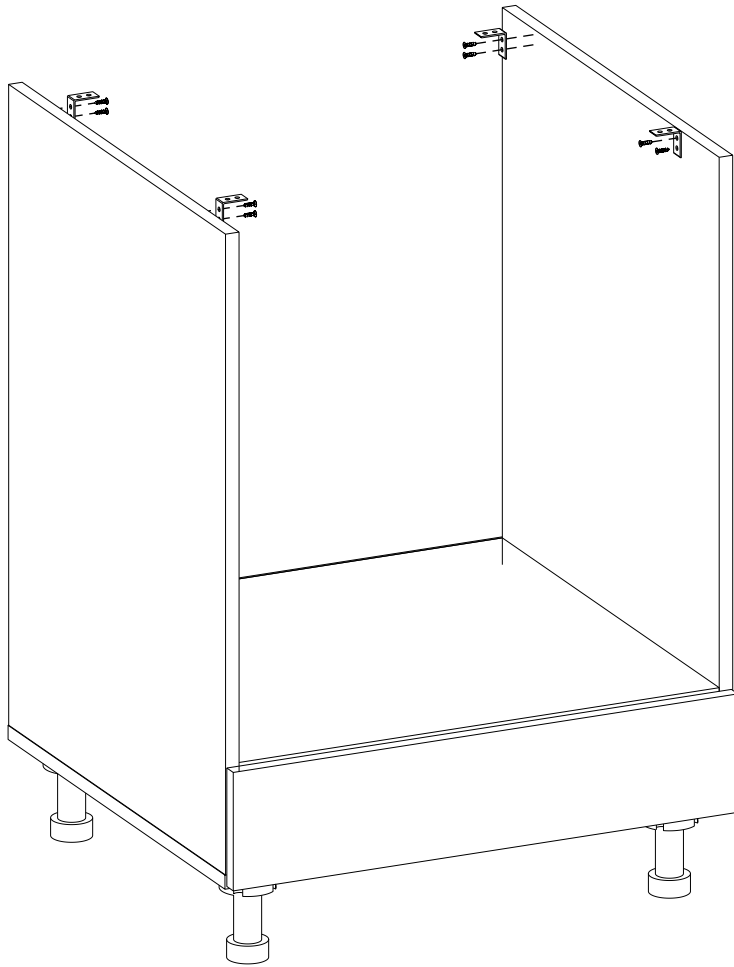
Nr	Cod	Buc
1	1701	1
2	1503	1
3	1504	2

DC03  x4	DT01  x4	
CL30  x 4	CP 100  x2	SI25  3,5x25mm x4

Bucataria CLIO

INF MASCA CUPTOR

1

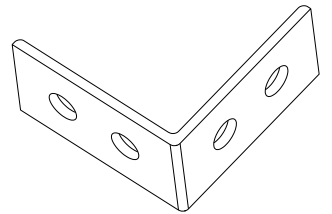
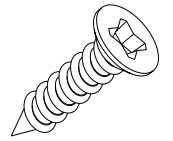


SI11

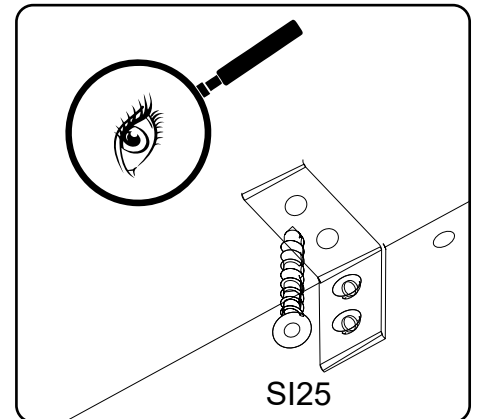
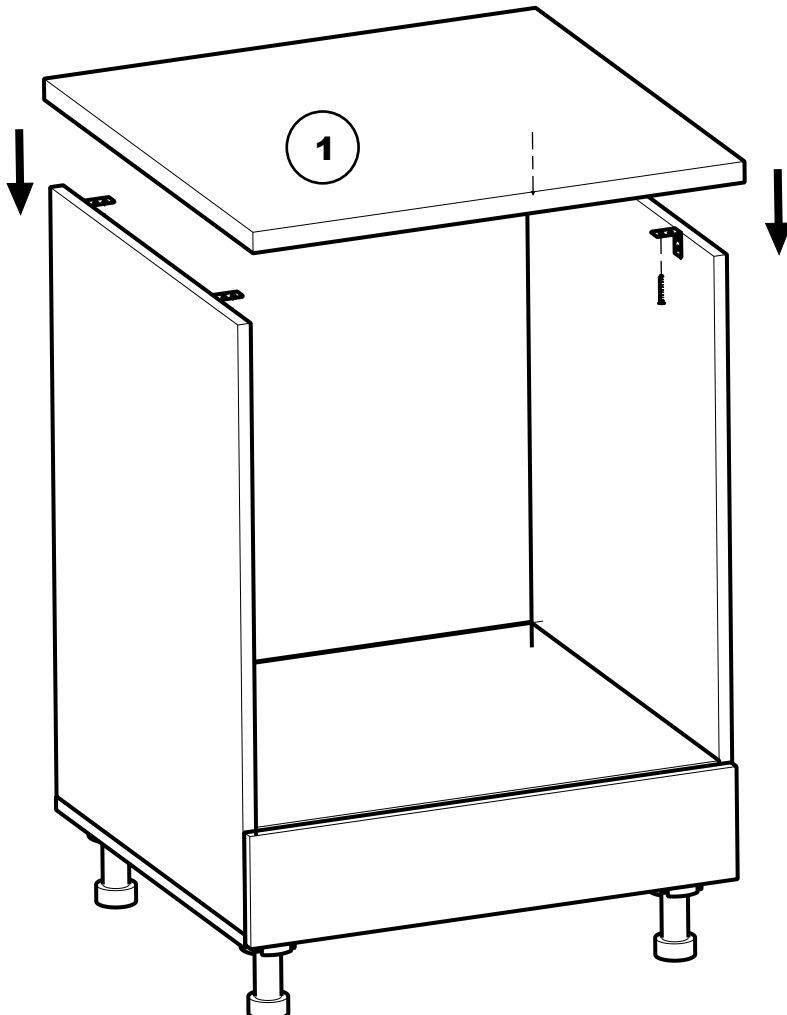
x 8

CL30

x 4



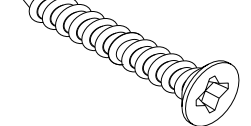
2



SI25

x 4

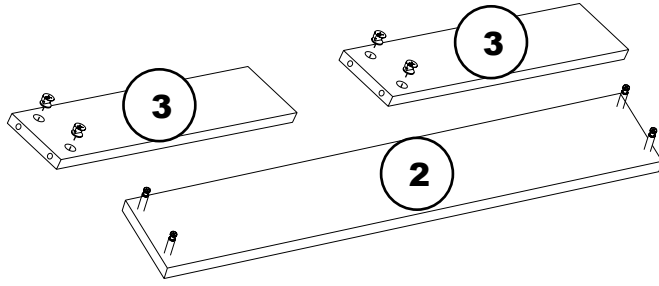
3,5x25mm



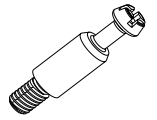
Bucataria CLIO

INF MASCA CUPTOR

3

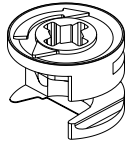


DT01



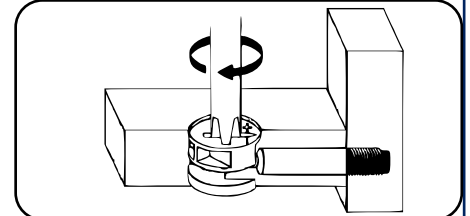
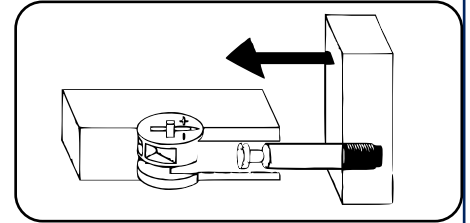
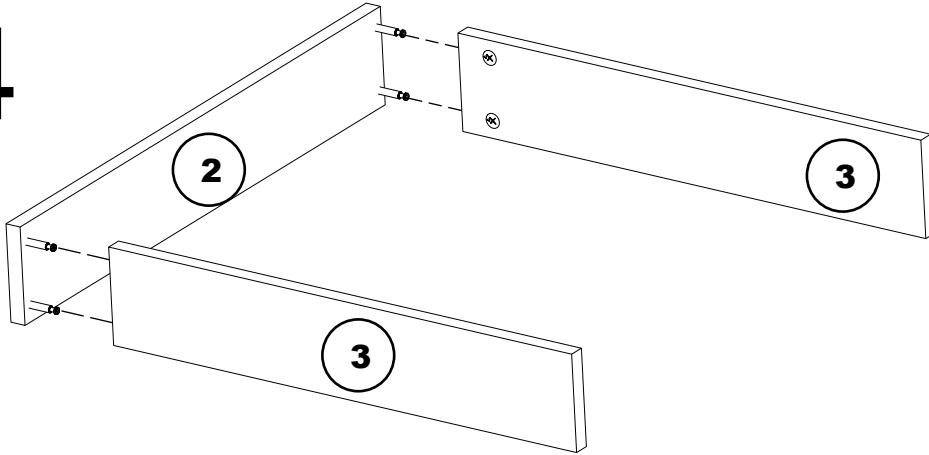
X4

DC01

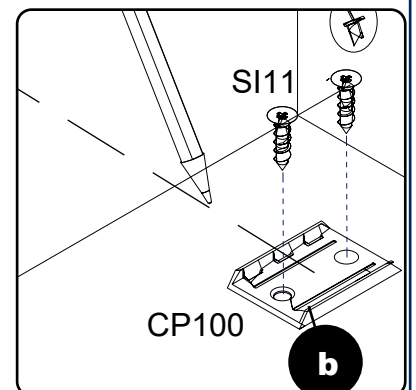
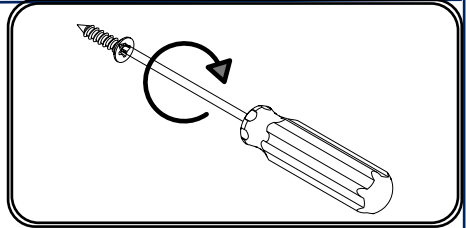
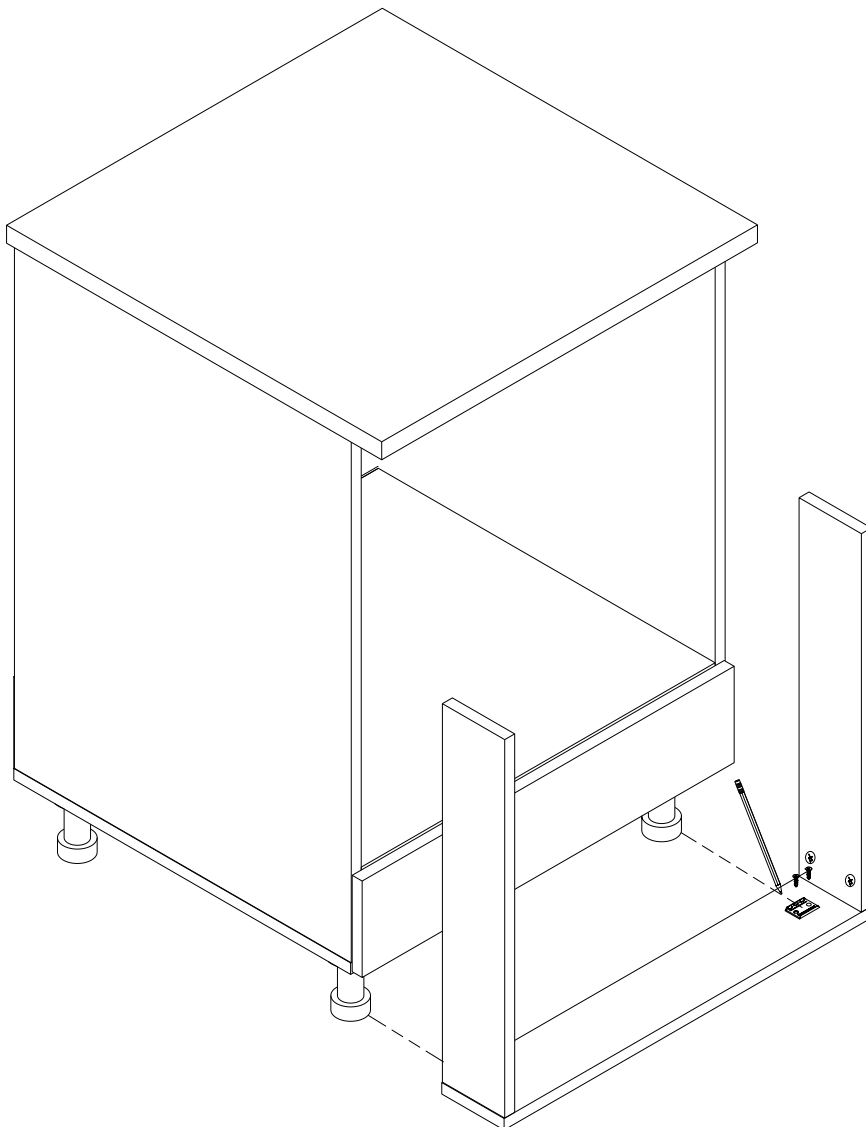


X4

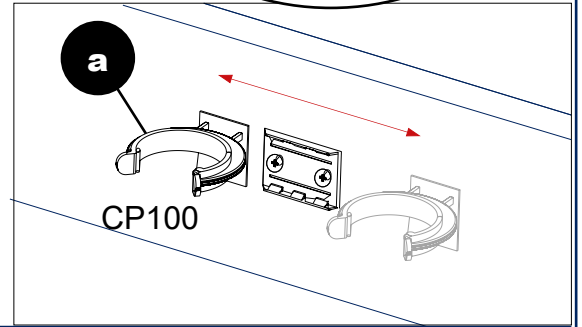
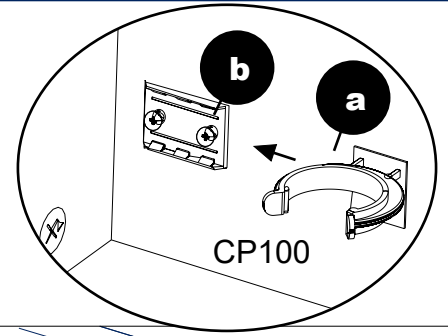
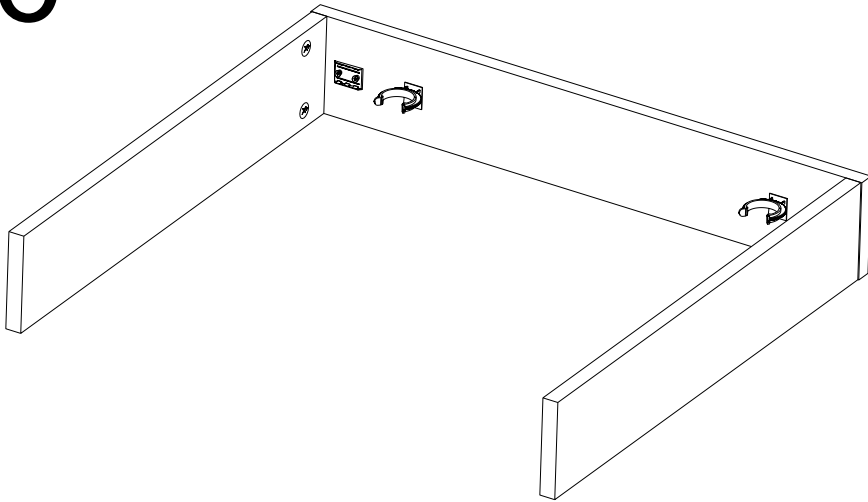
4



5



6



7

