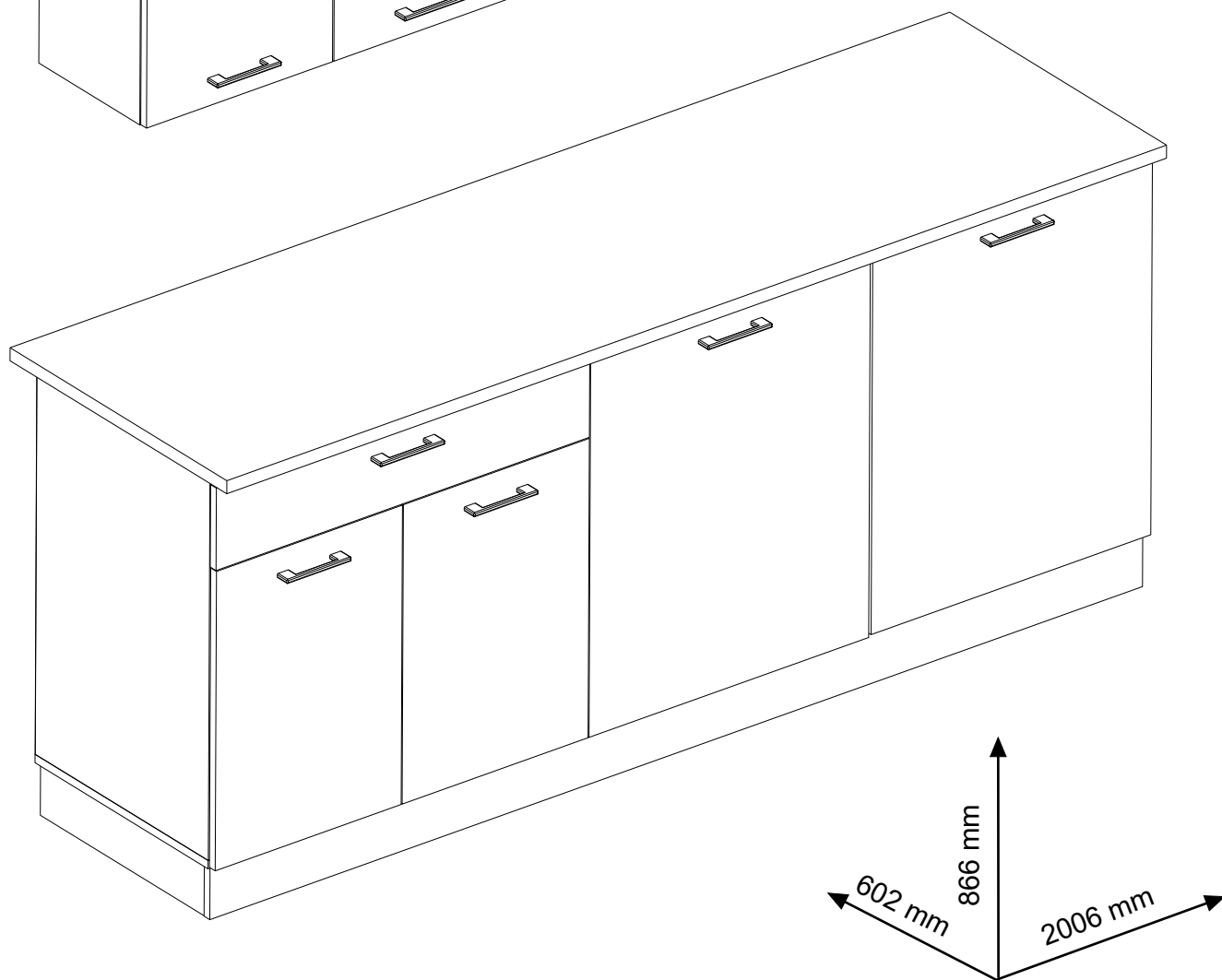
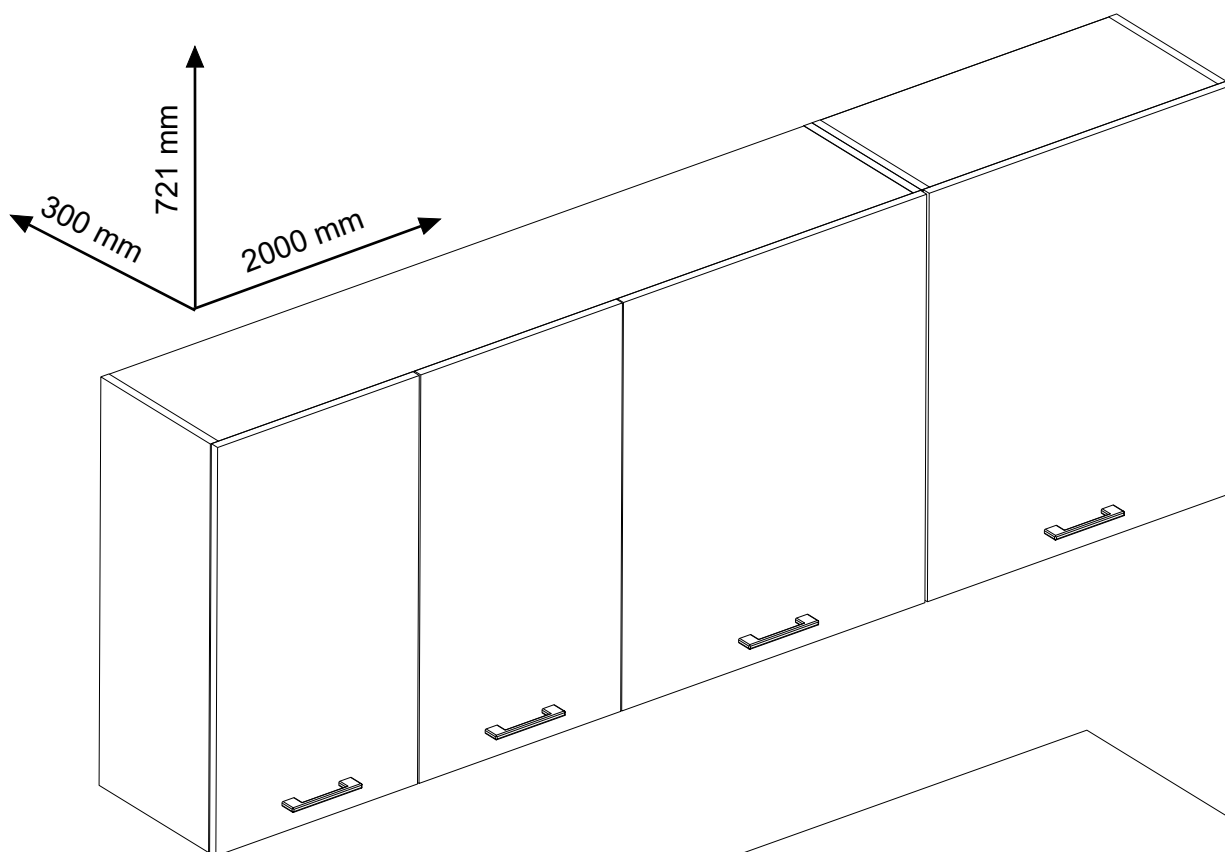
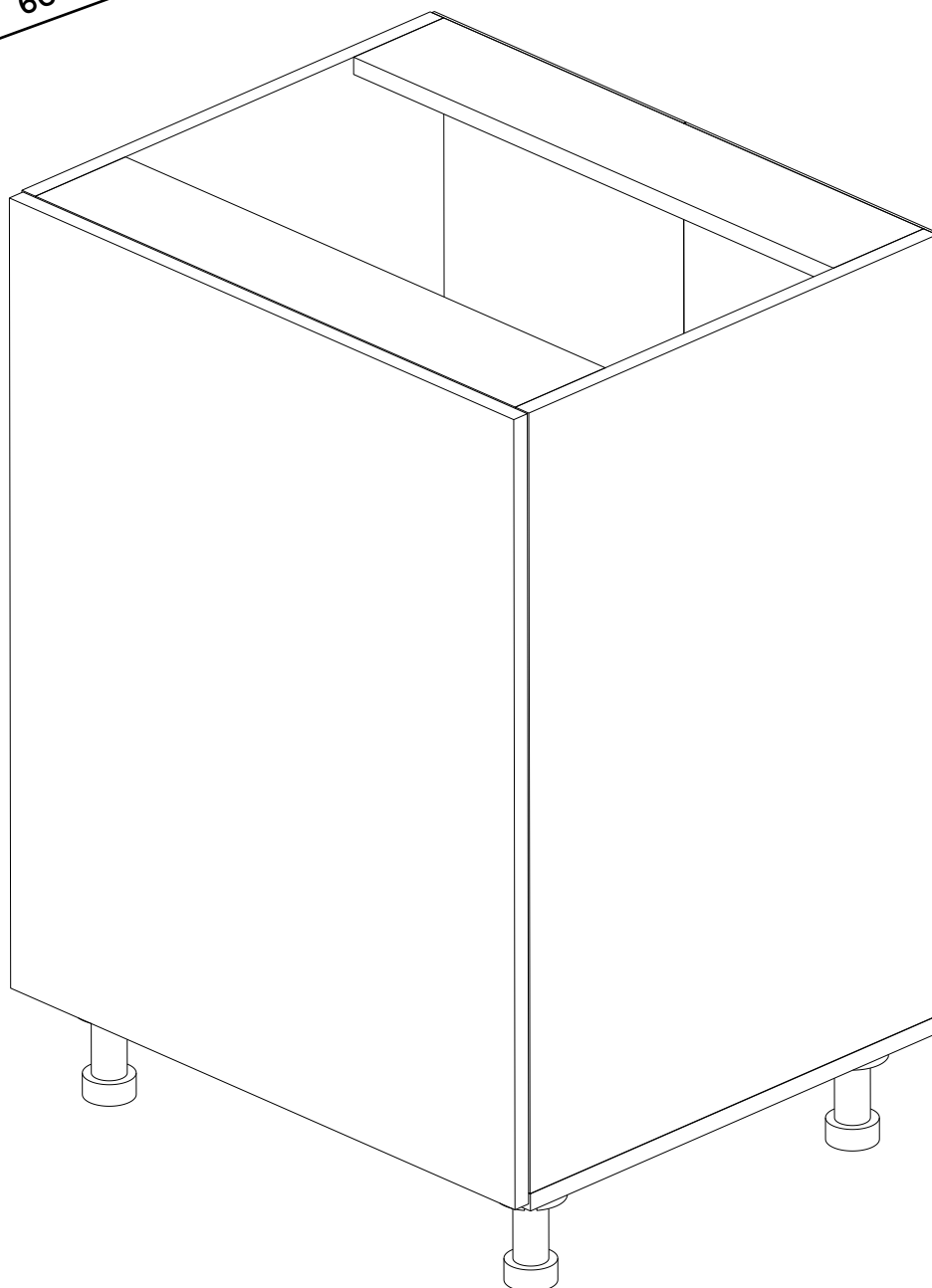
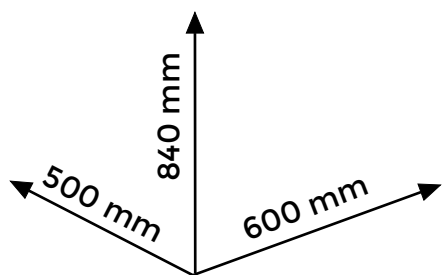


Bucataria CLIO

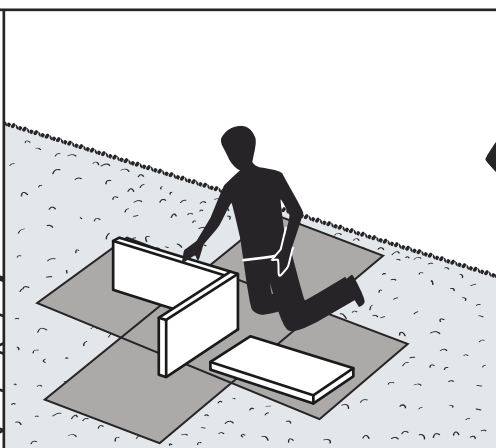
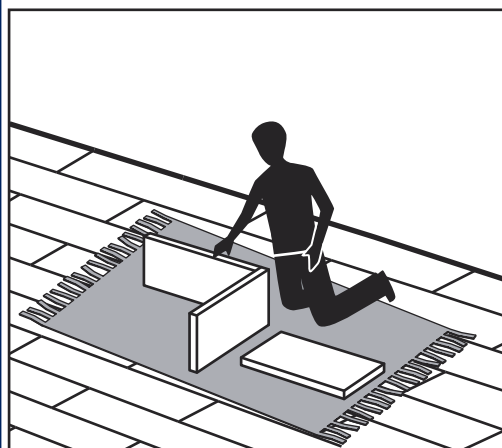
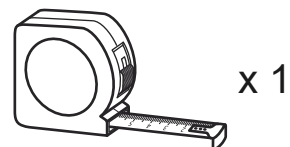
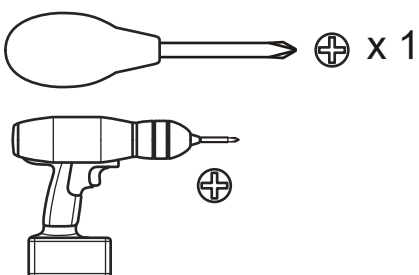
ASAMBLARE



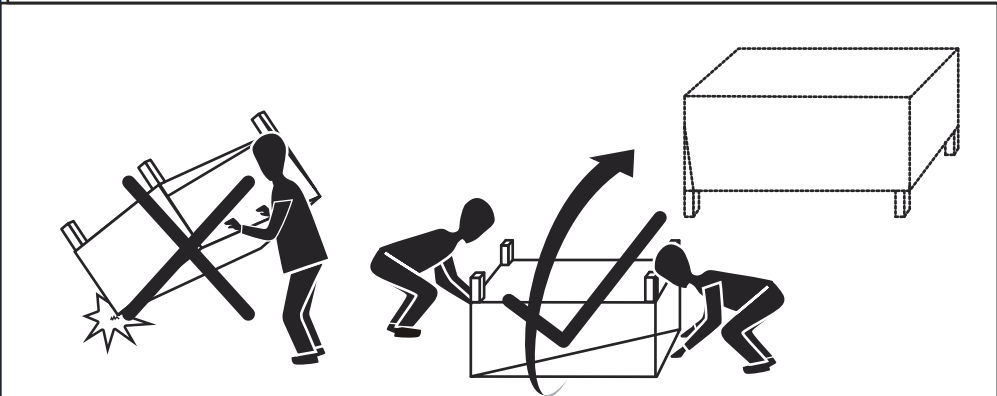
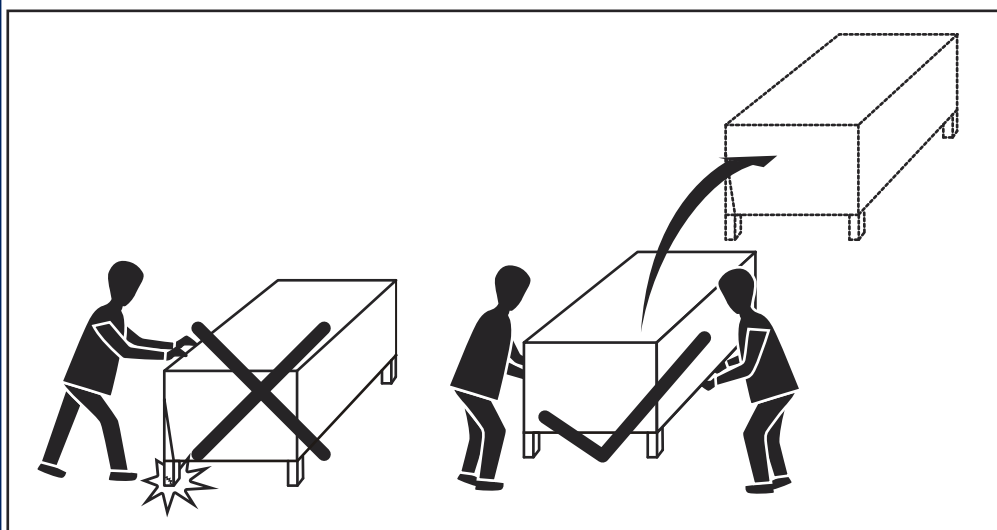
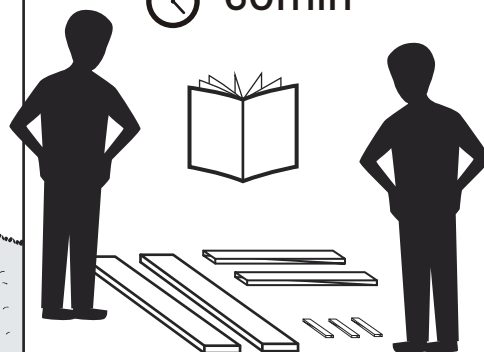


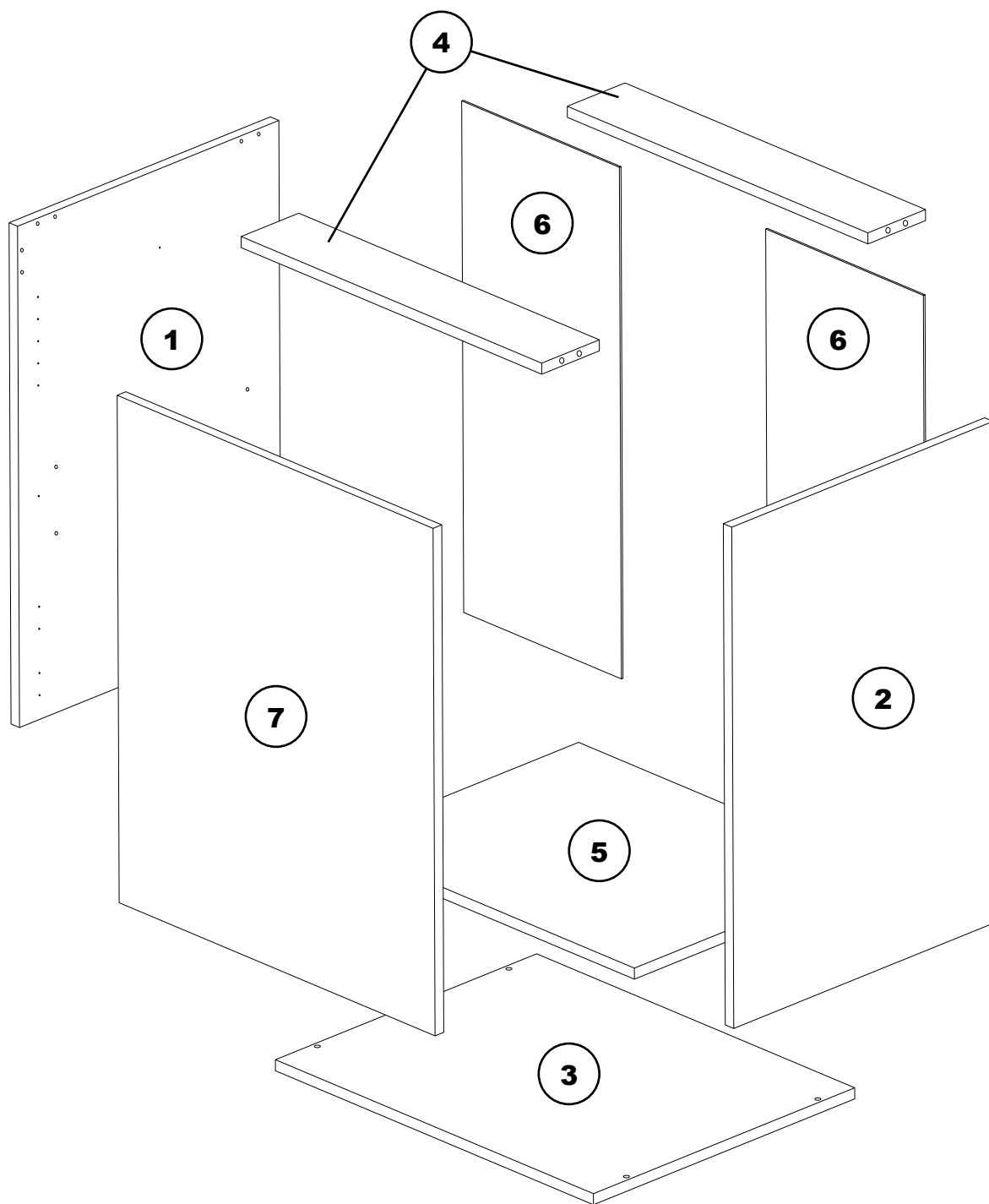
MATERIALE

Fronturi Pal
Carcasa Pal 16 mm
Spate HDF
Cant ABS 0.5 si 1 mm
Elemente de imbinare metalice si din lemn
Manere plastic
Picioare plastic

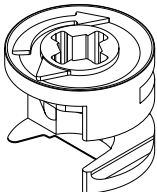
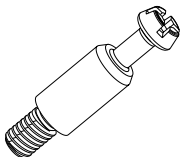
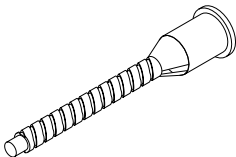
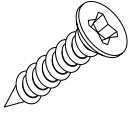
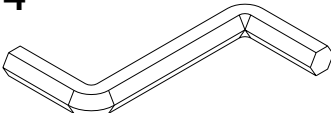
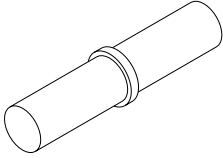
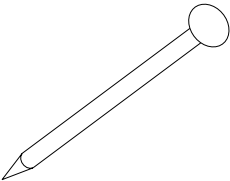
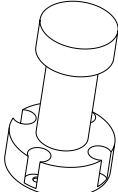
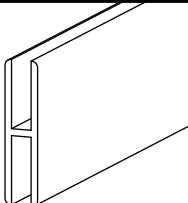
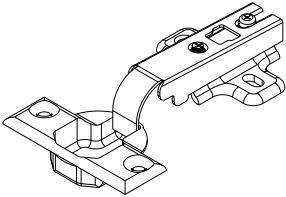


🕒 60min

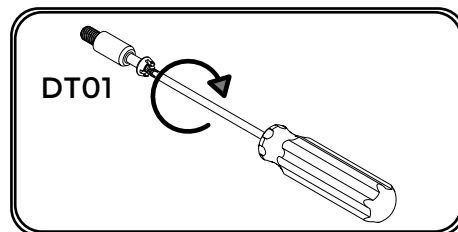
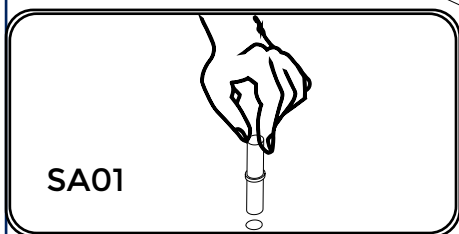
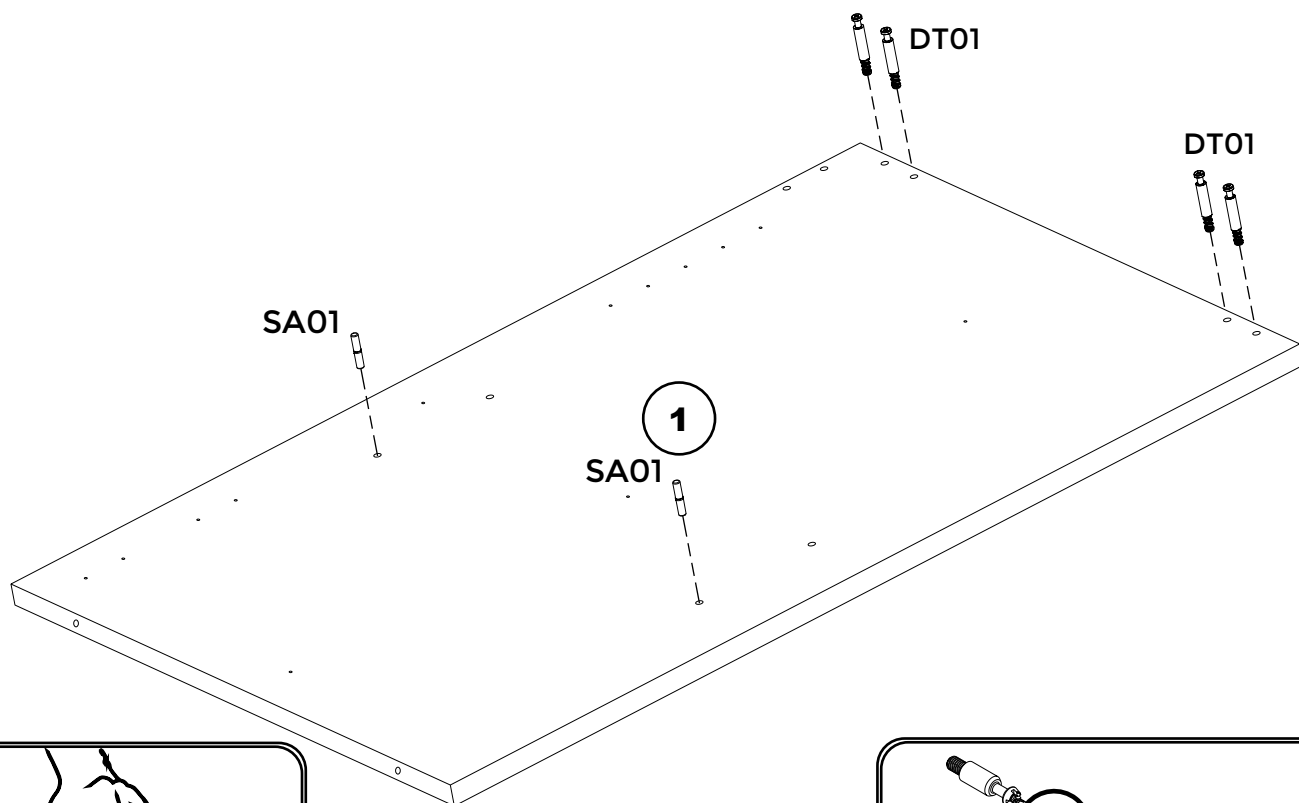




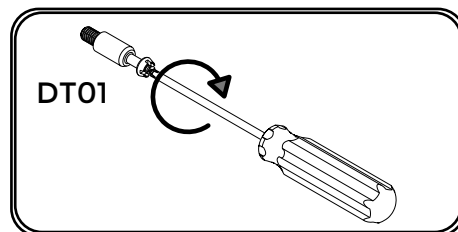
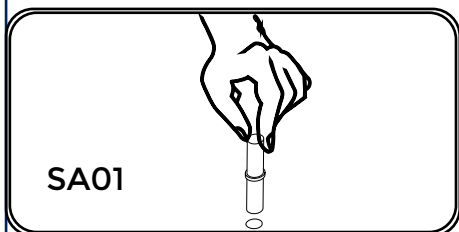
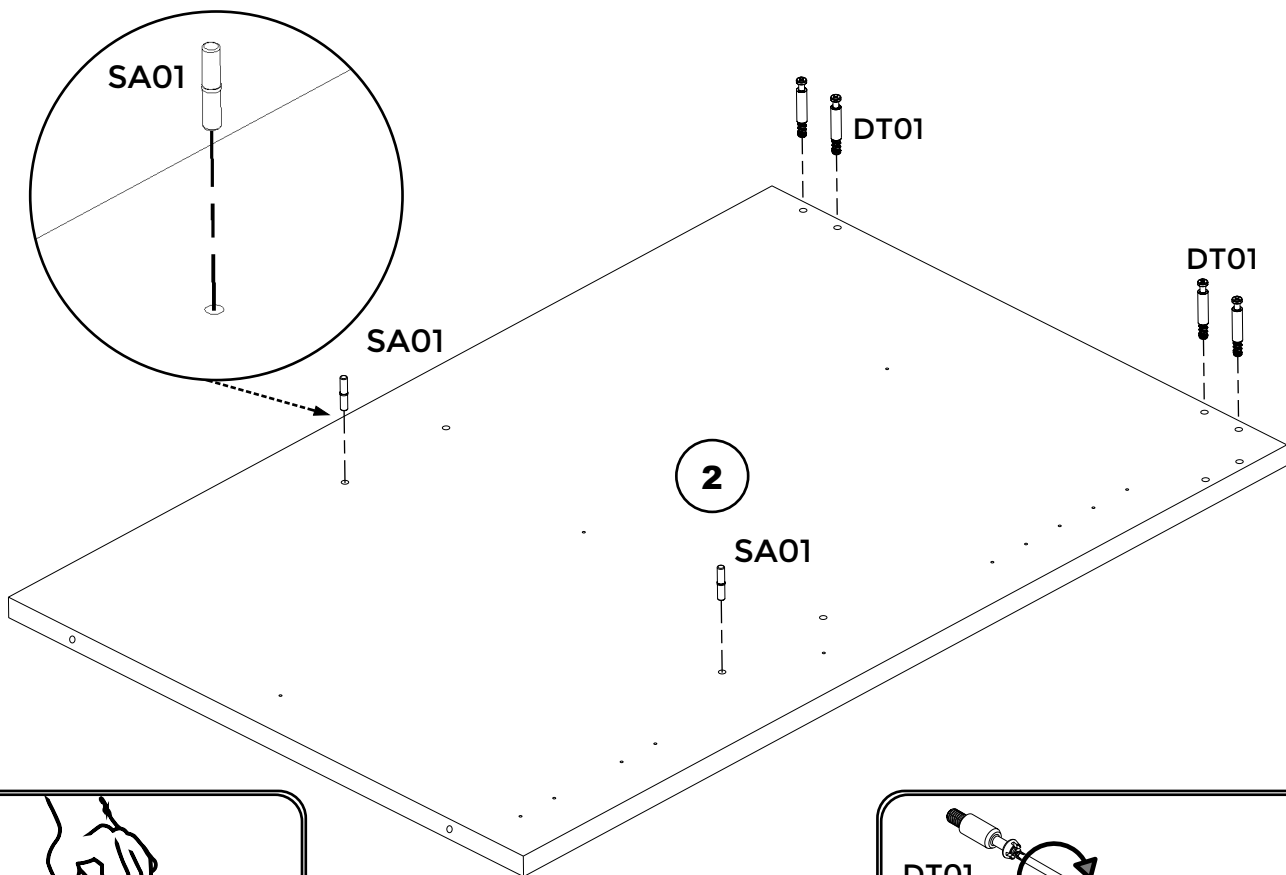
Nr	COD	BuC
1	0101	1
2	0102	1
3	0501	1
4	0502	2
5	0503	1
6	0504	2
7	0505	1

<p>DC01</p>  <p>x8</p>	<p>DT01</p>  <p>x8</p>	<p>SE50</p>  <p>x4</p>
<p>SI11</p>  <p>x24</p>	<p>HH04</p>  <p>x1</p>	<p>SA01</p>  <p>x4</p>
<p>CT01</p>  <p>≈ 25</p>	<p>PB01</p>  <p>x4</p>	<p>PH01</p>  <p>x1</p>
<p>BL01</p>  <p>x2</p>		

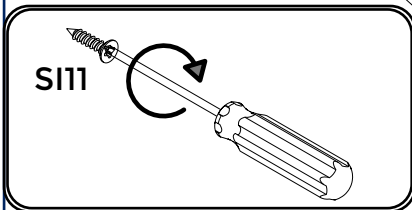
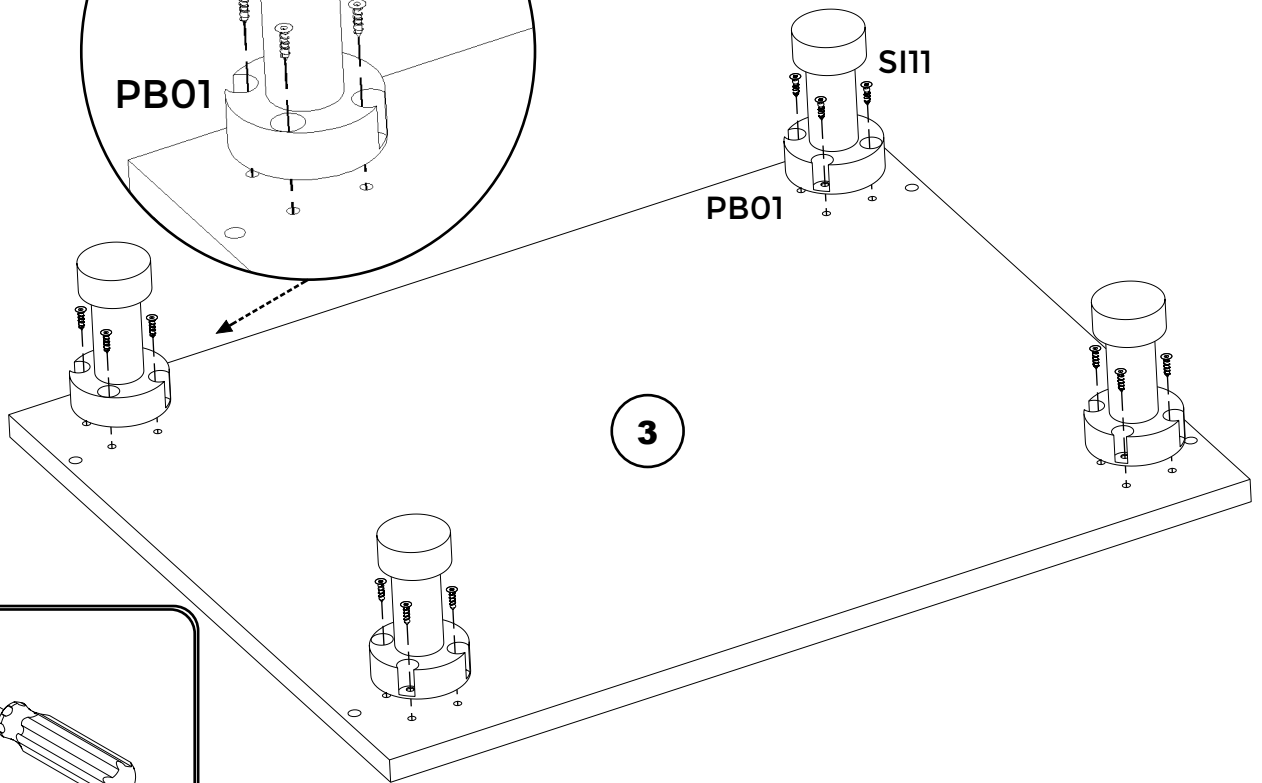
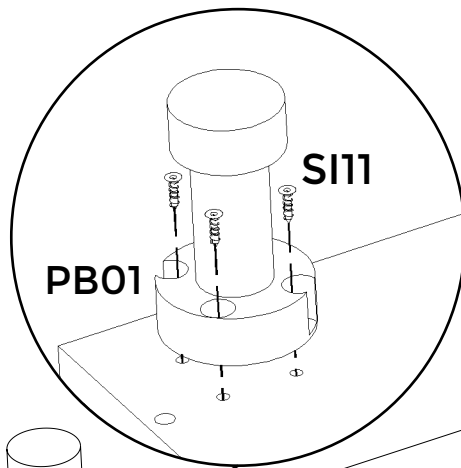
1



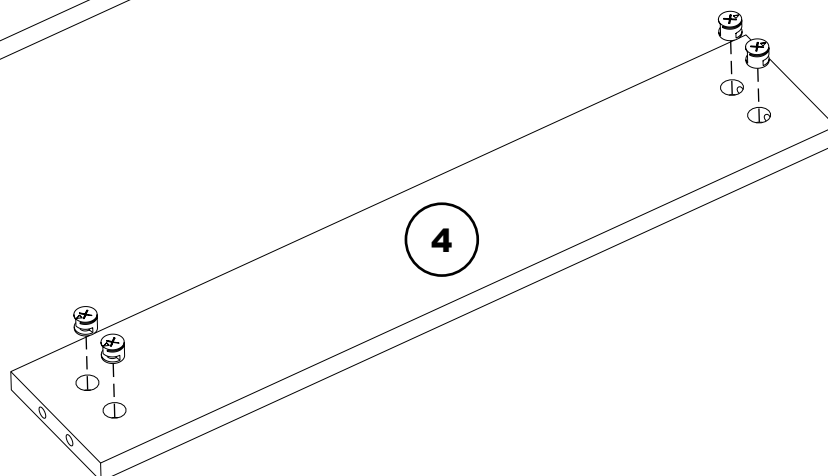
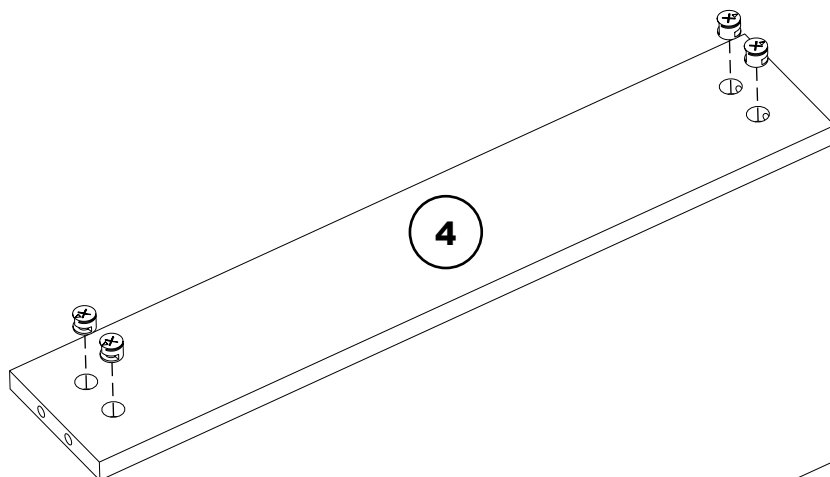
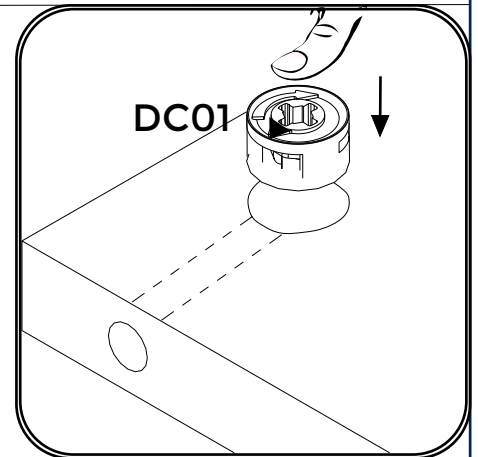
2



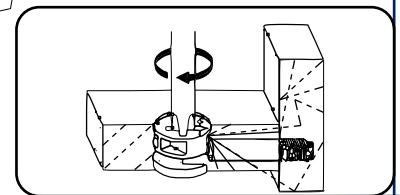
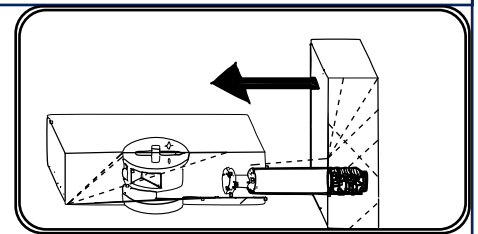
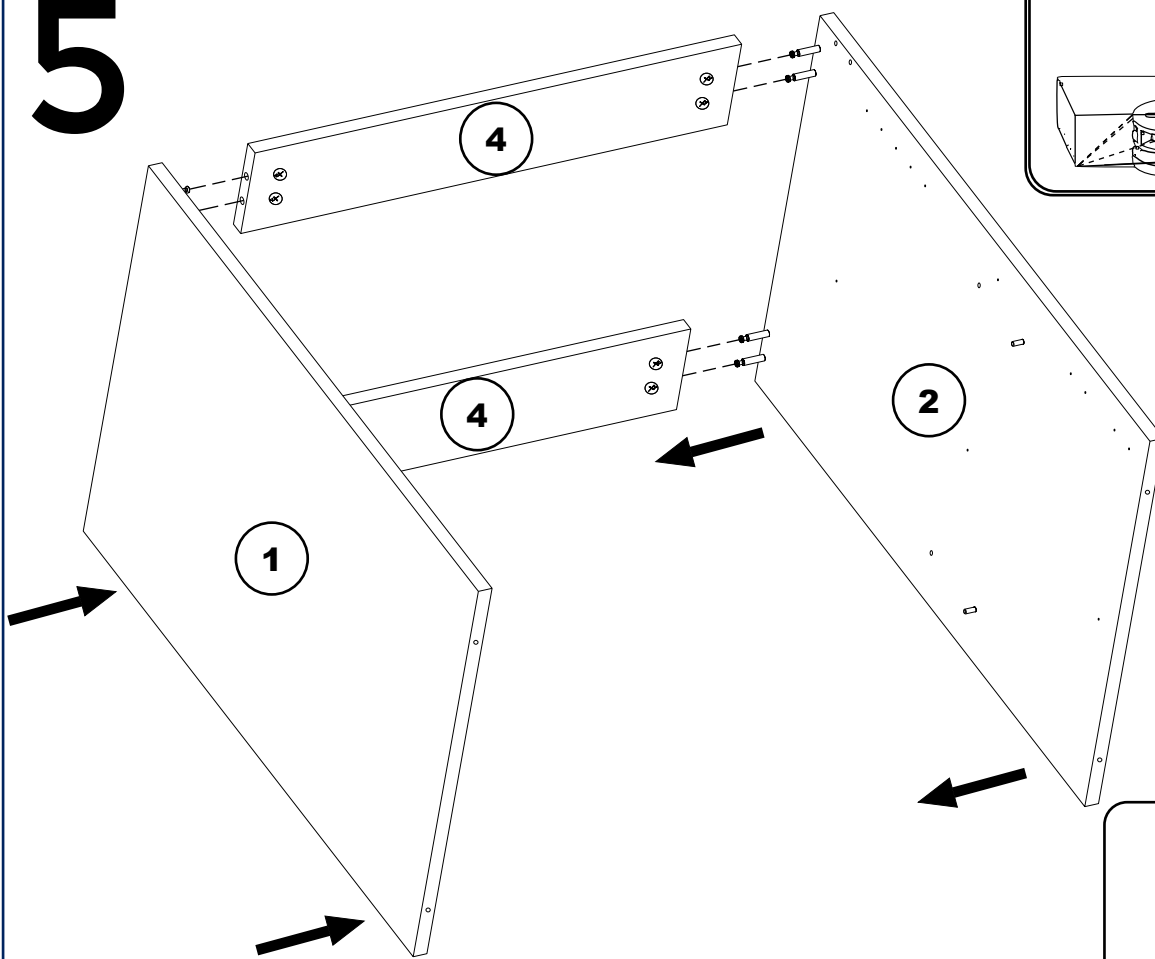
3



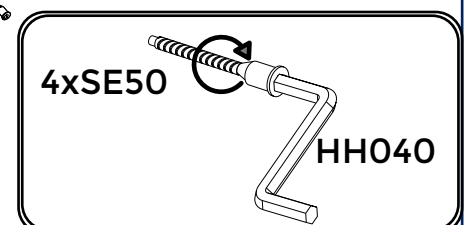
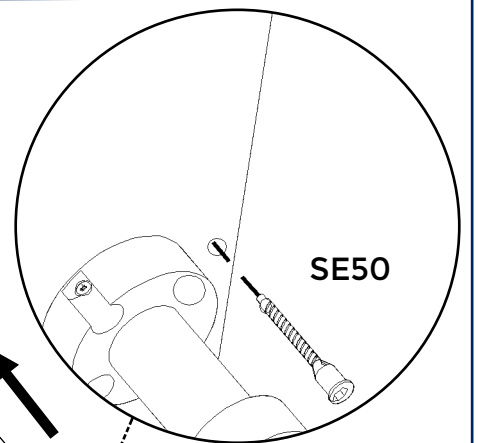
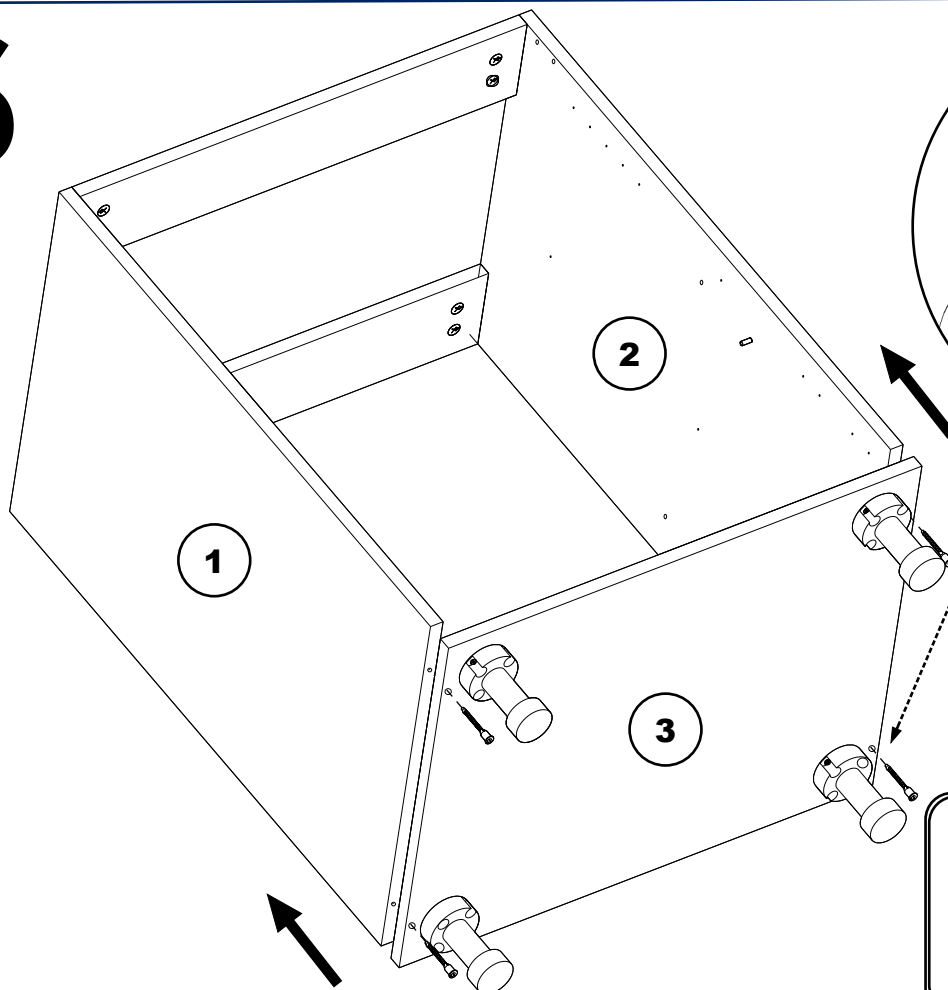
4



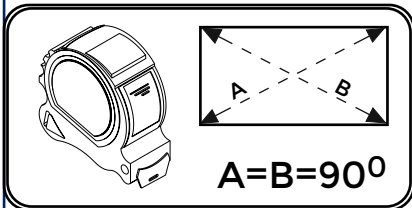
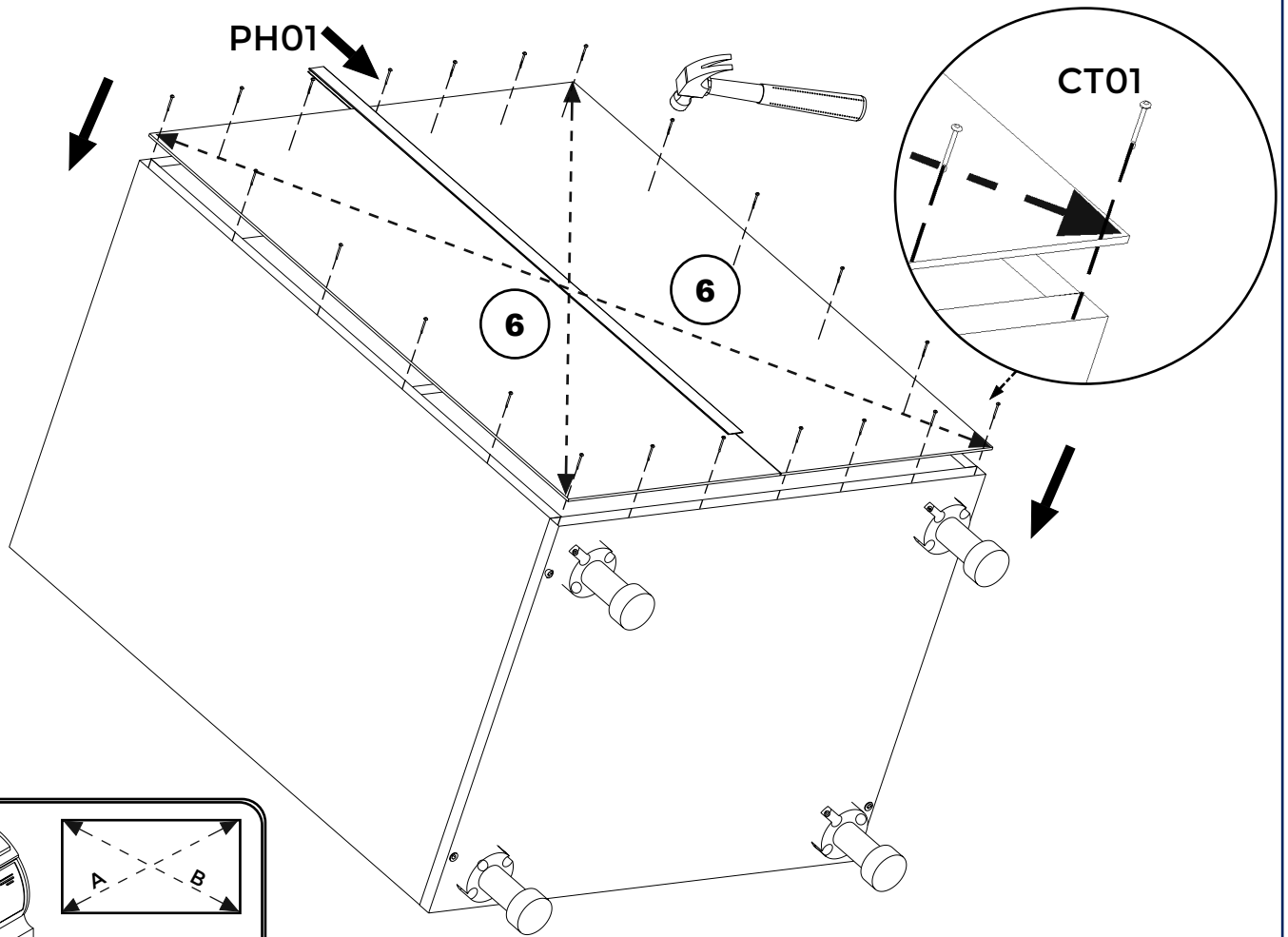
5



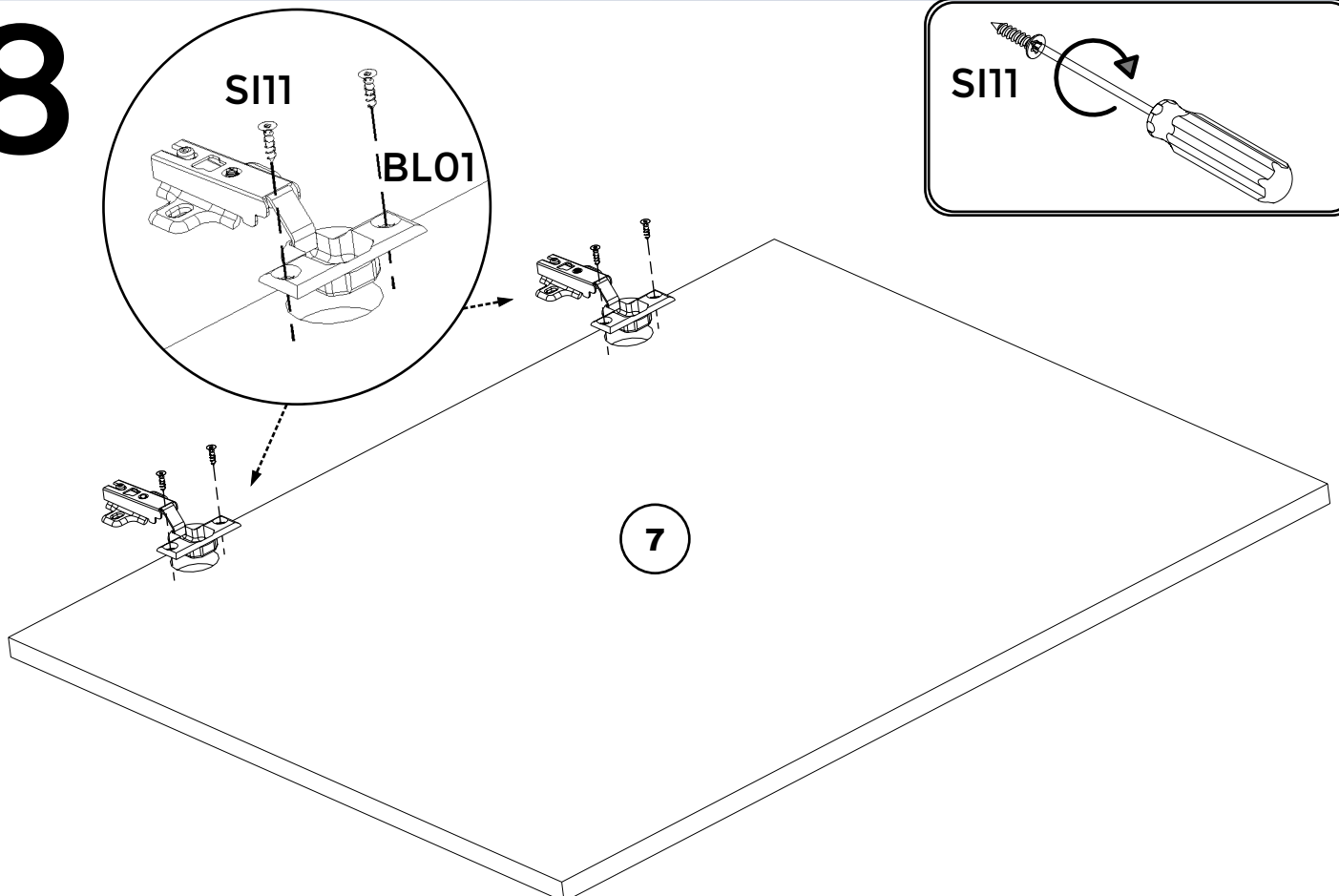
6



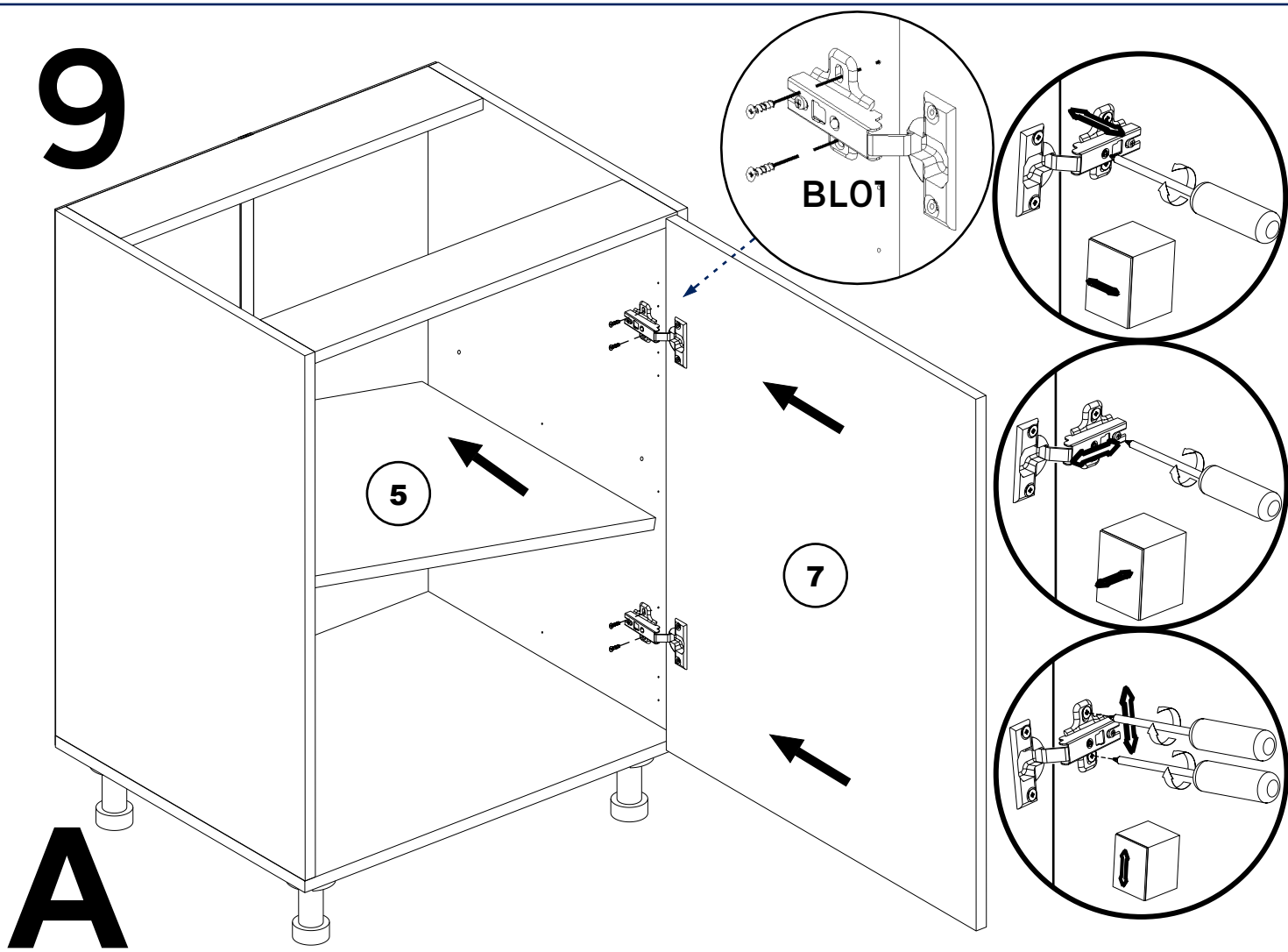
7



8

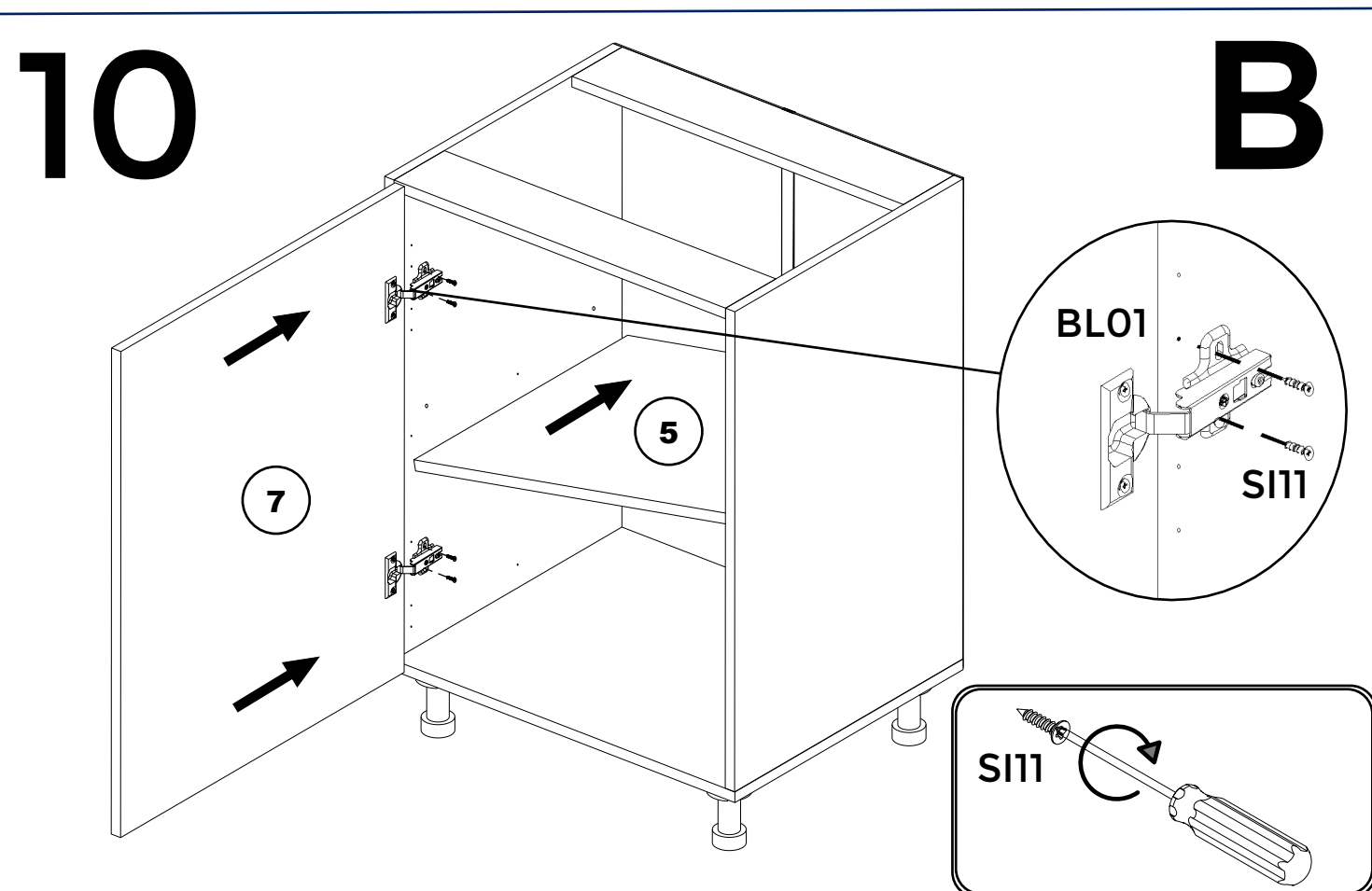


9

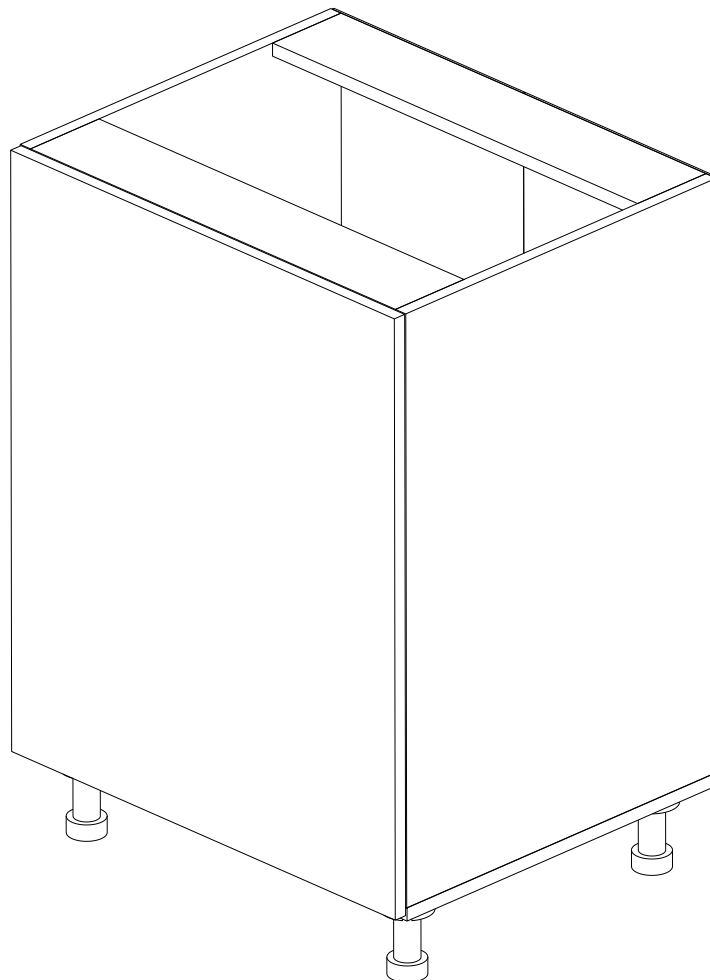
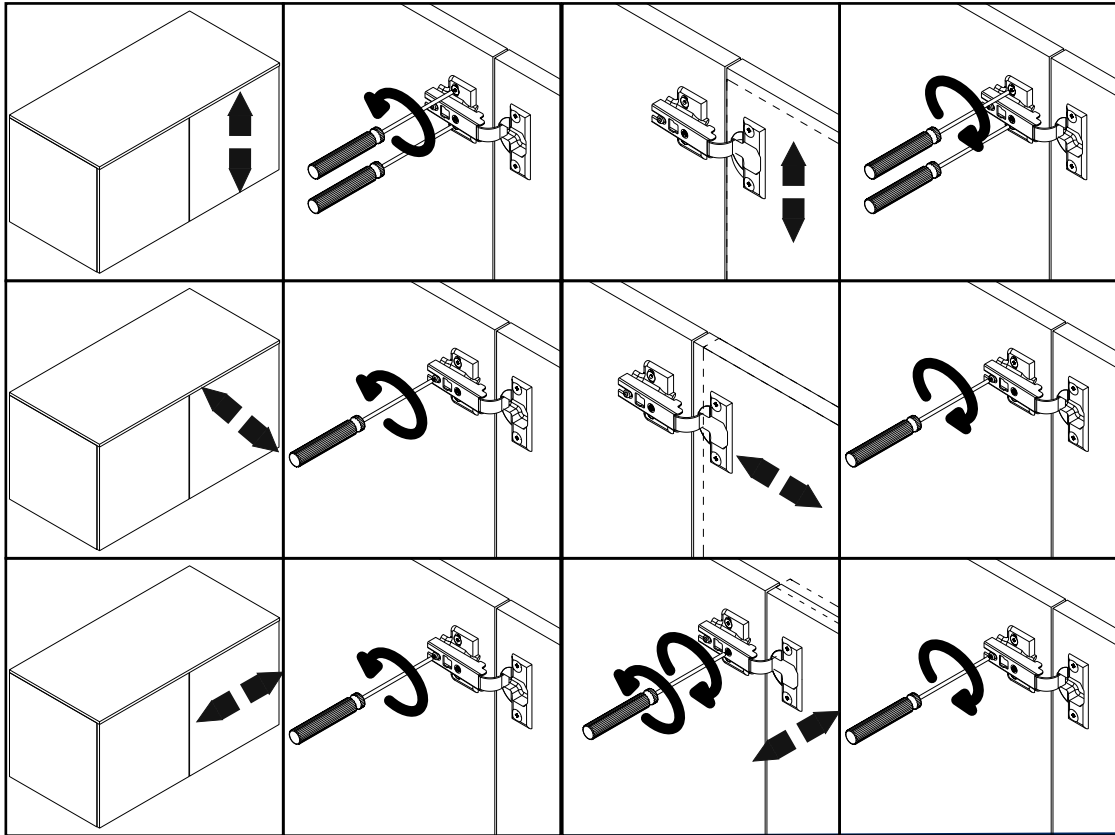


10

B

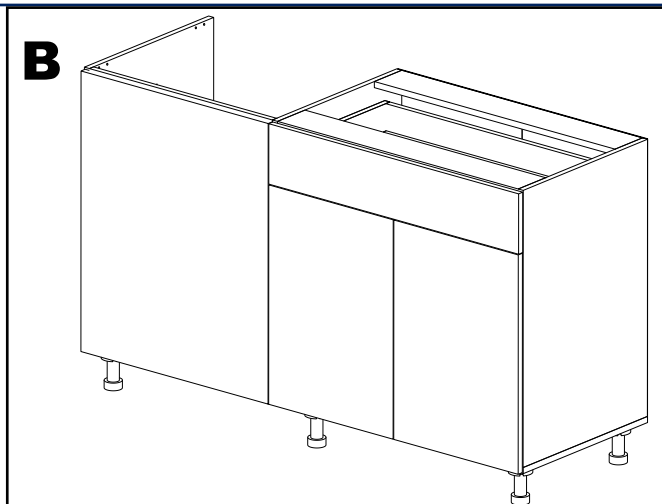
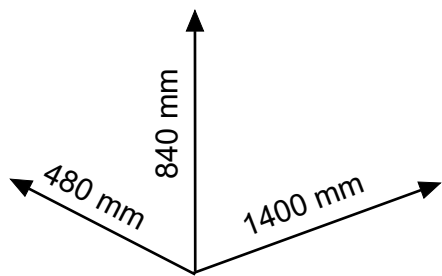


11

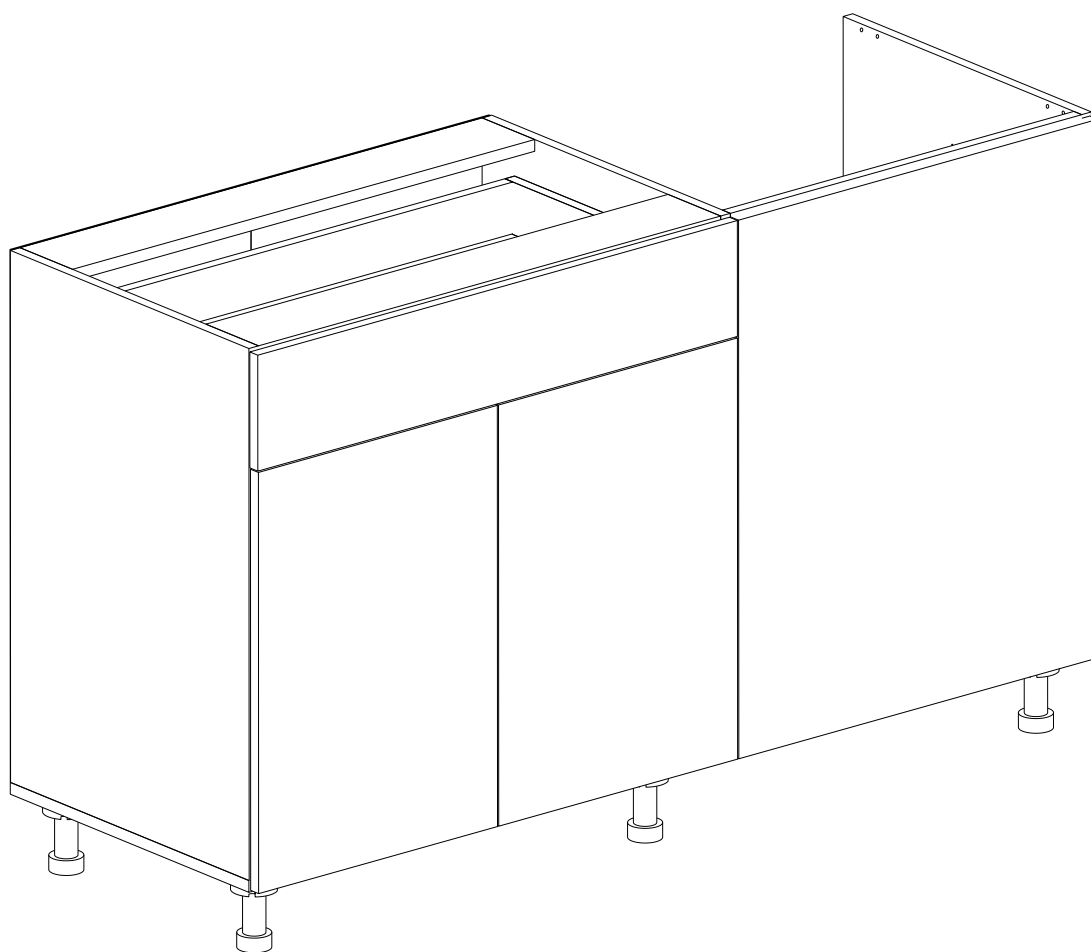


Bucatarii

INERIORF 1400 2U+1S+MC ROLE



A

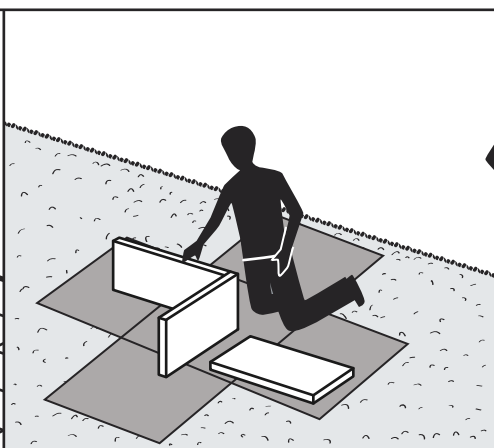
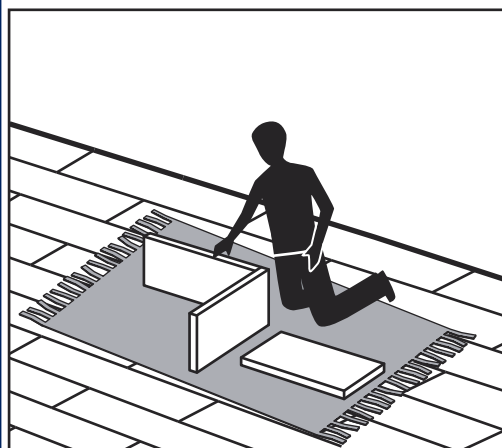
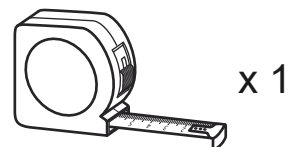
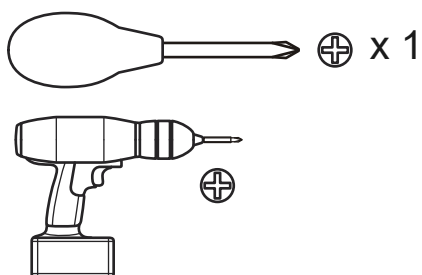


MATERIALE

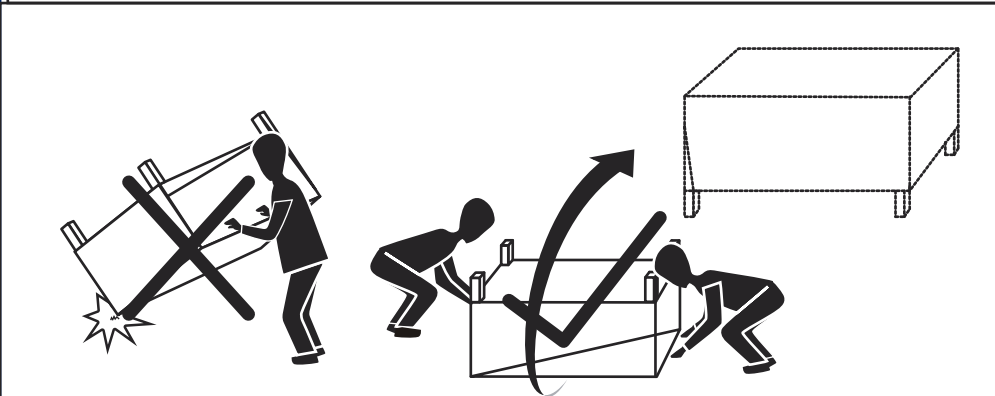
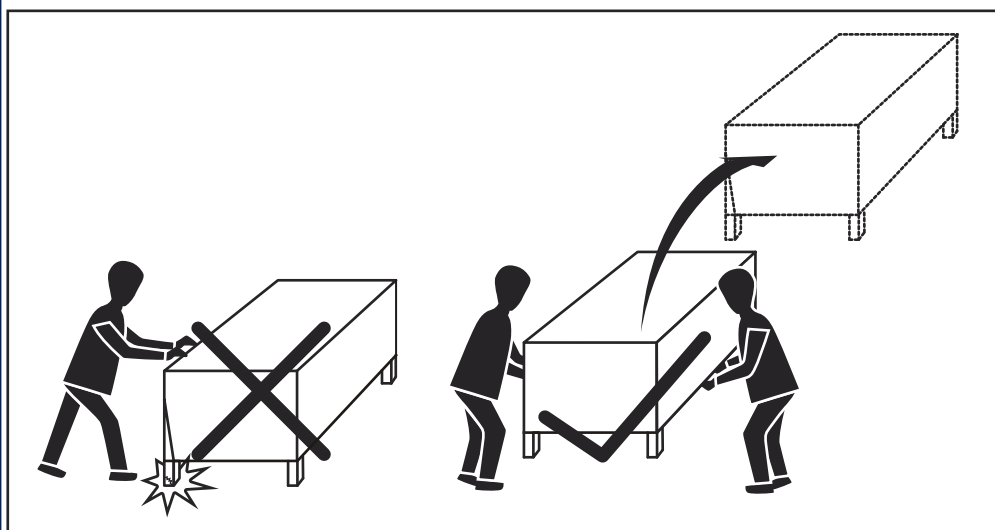
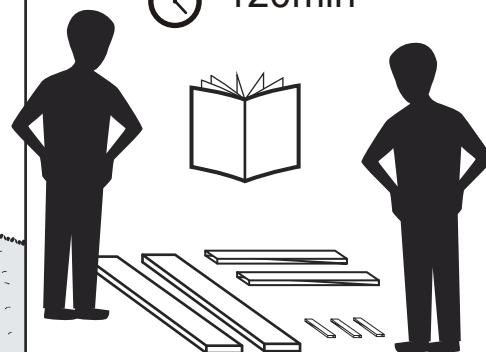
Fronturi PAL
Carcasa Pal 16 mm
Spate HDF
Cant ABS 0.5 si 1 mm
Elemente de imbinare metalice si din lemn
Glisiera cu role
Manere plastic
Picioare plastic

Bucatarii

INFERIOR 1400 2U+1S+MC ROLE

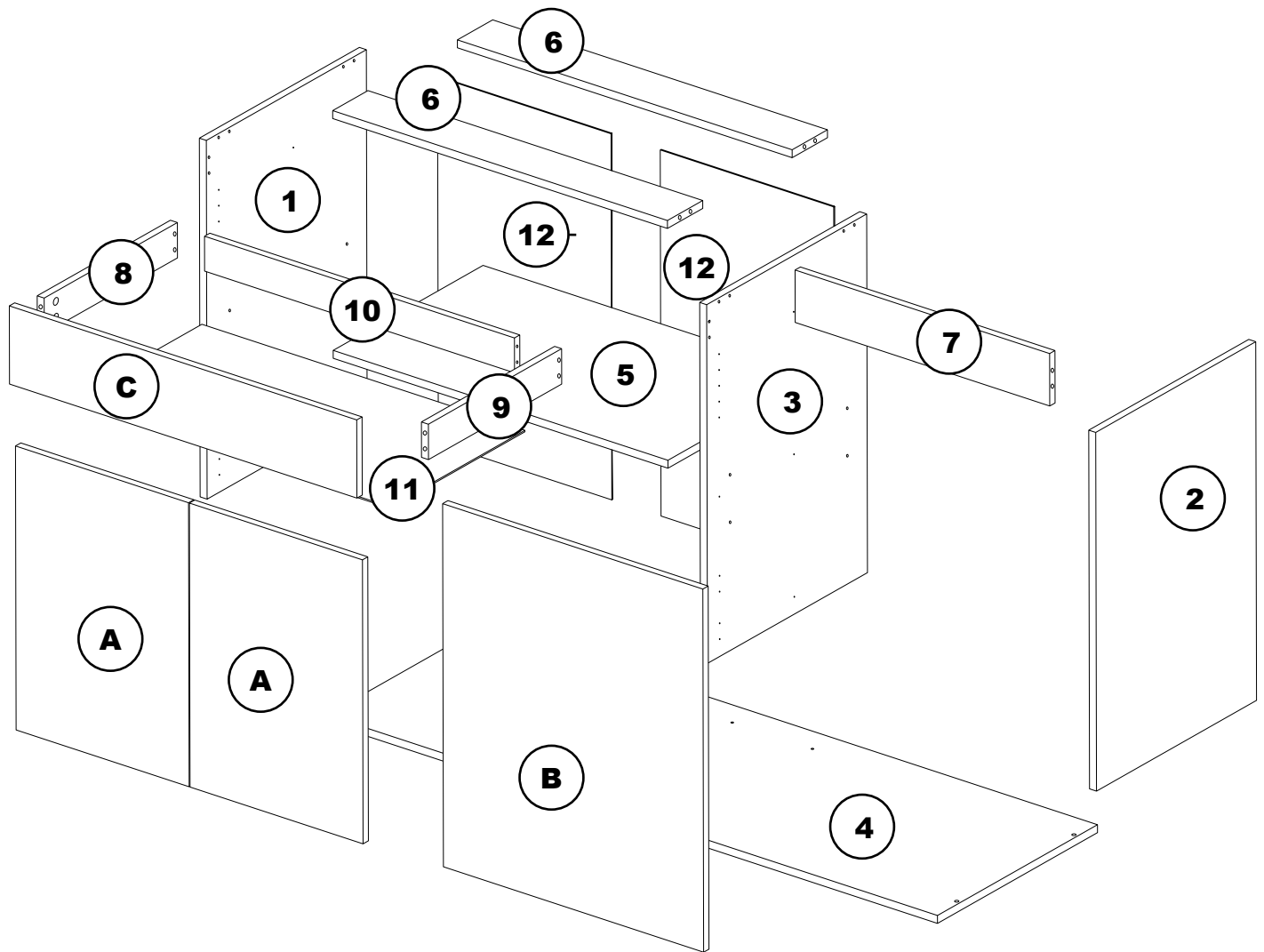


🕒 120min



Bucatarii

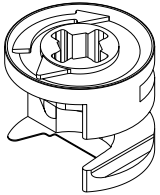
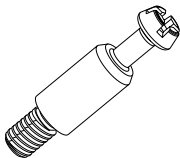
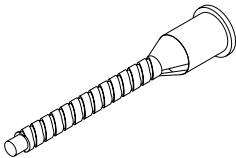
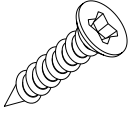
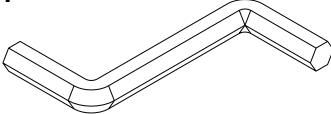
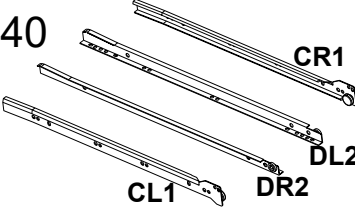
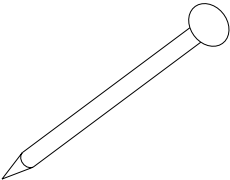
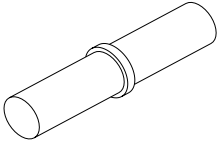
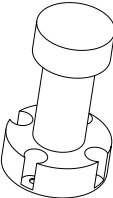
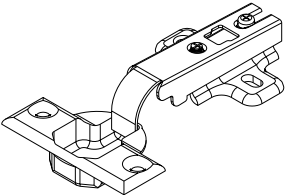
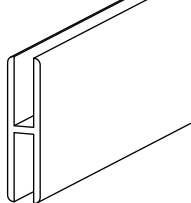
INFERIOR 1400 2U+1S+MC ROLE



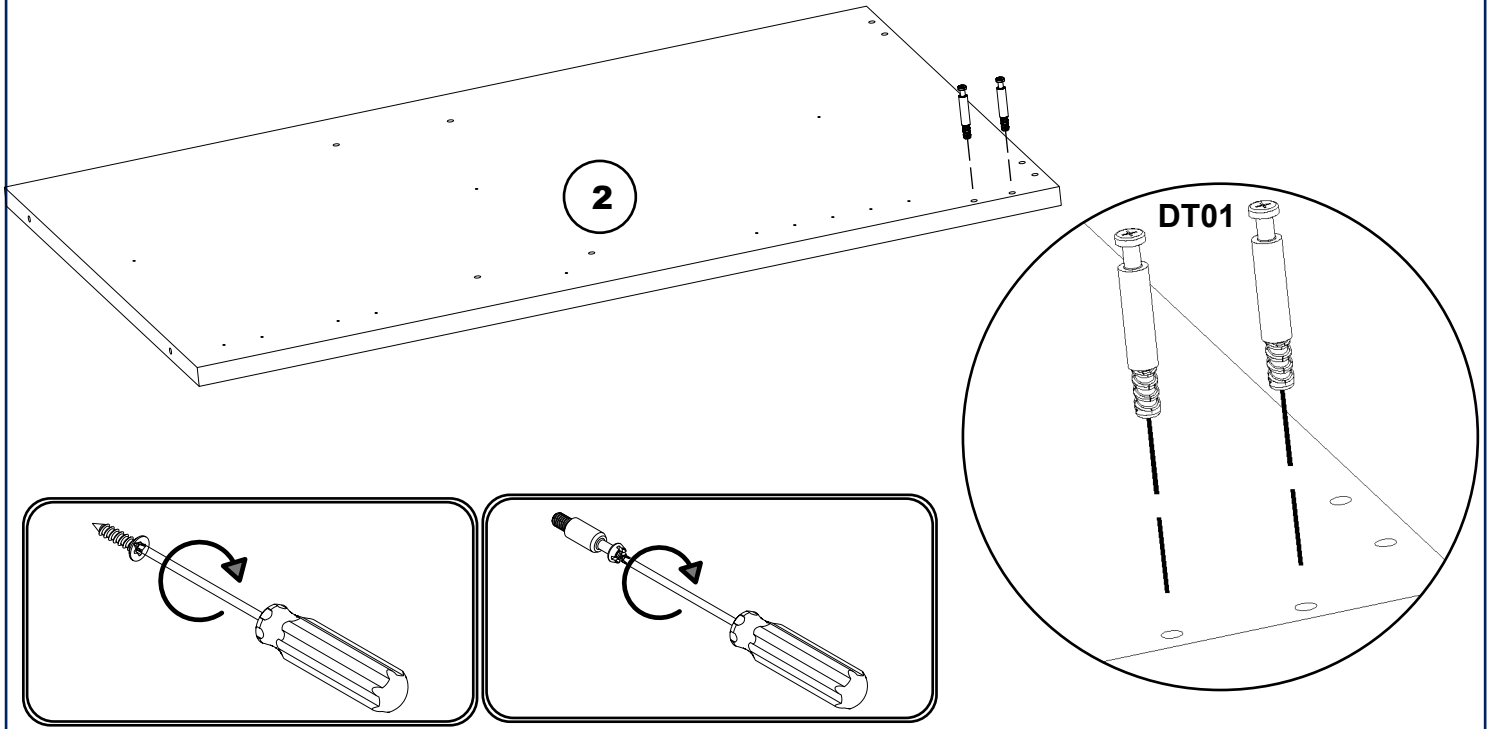
Nr	COD	BuC	Nr	COD	BuC	Nr	COD	BuC
1	0101	1	7	0106	1	A	0403	2
2	0102	1	8	0201	1	B	0404	1
3	0103	1	9	0202	1	C	0405	1
4	0104	1	10	0401	1			
5	0301	1	11	0402	1			
6	0105	2	12	0302	2			

Bucatarii

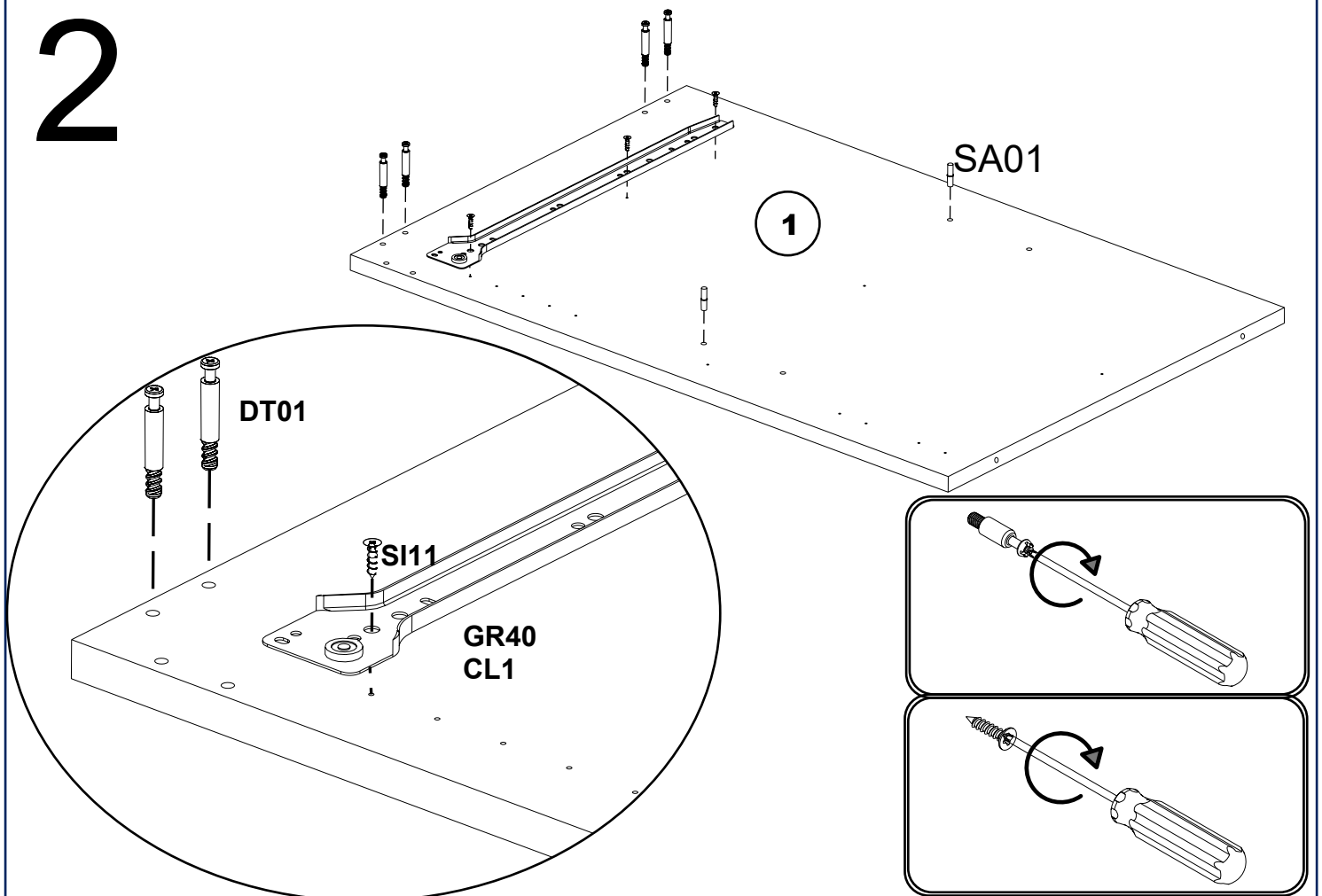
INFERIOR 1400 2U+1S+MC ROLE

DC01 x18 	DT01 X18 	SE50 x8 
SI11 x70 	HH04 x1 	GR 40 x1 
CT01 ≈ 45 	SA01 x4 	PB01 x6 
BL01 x6 	PH01 x1 	

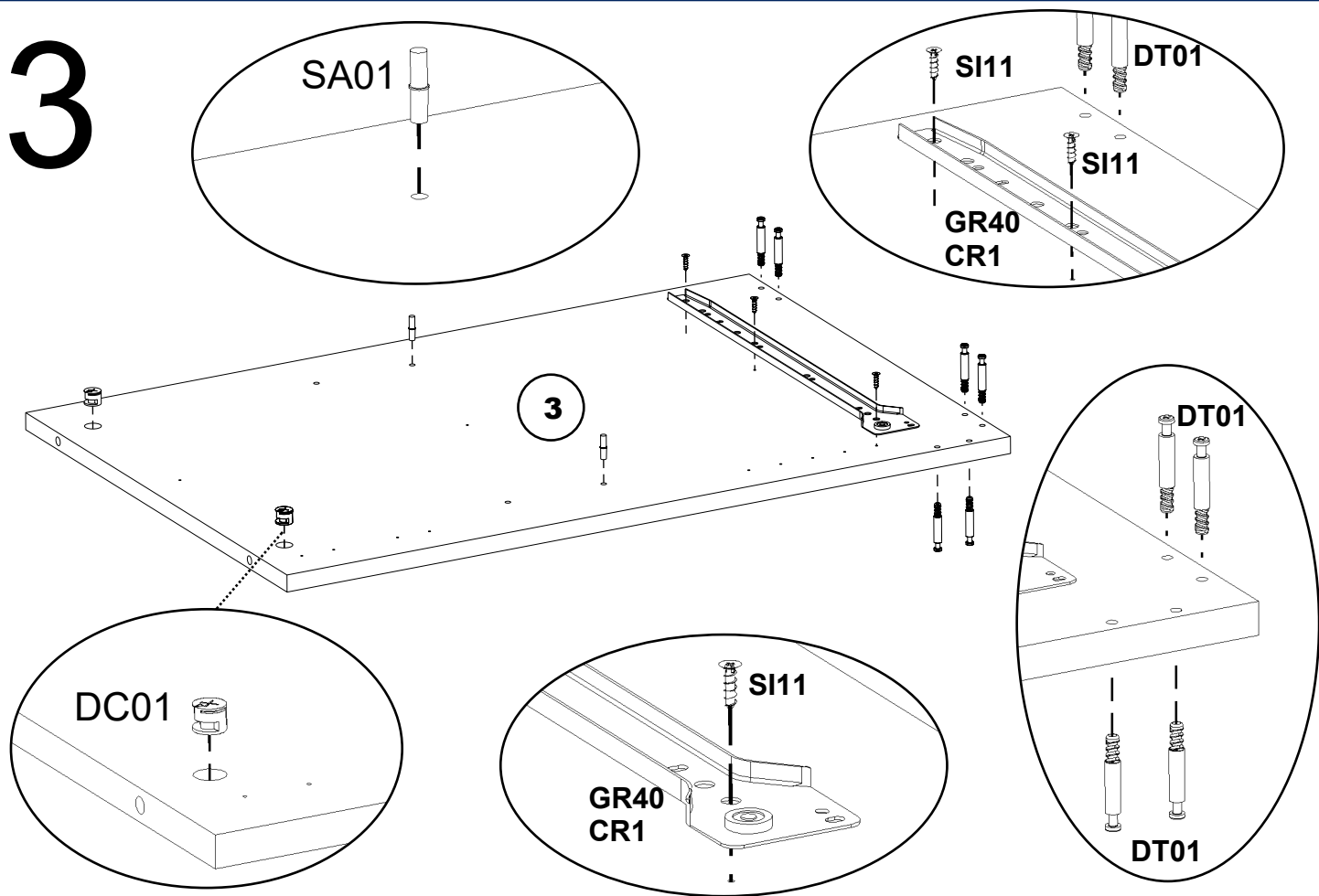
1



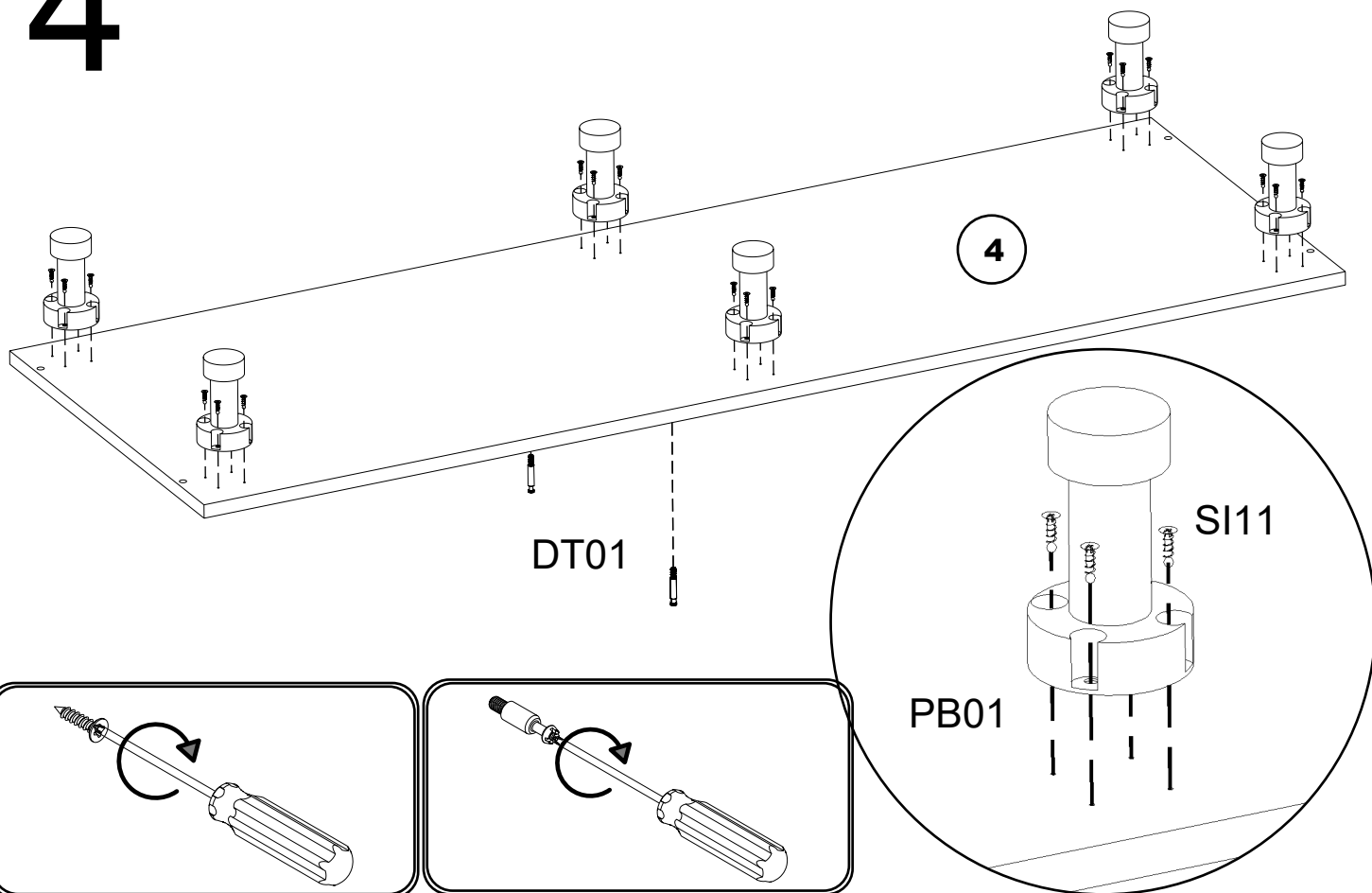
2



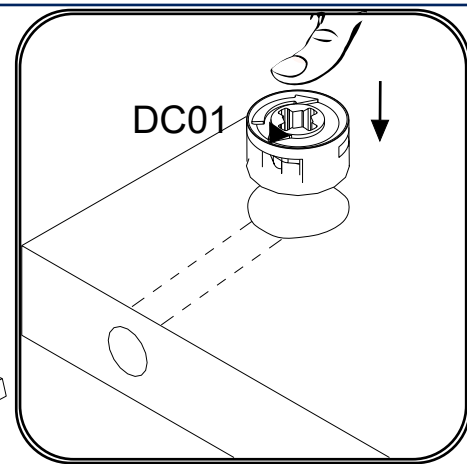
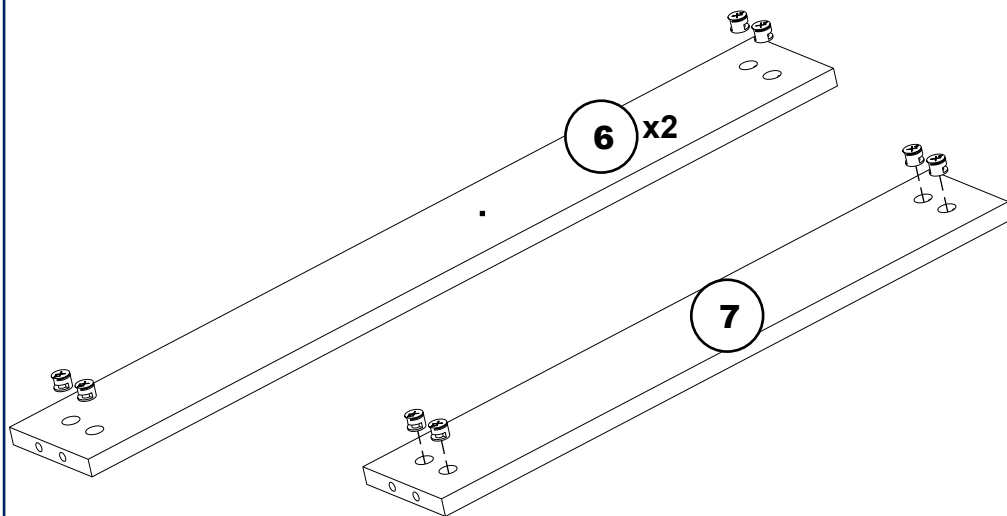
3



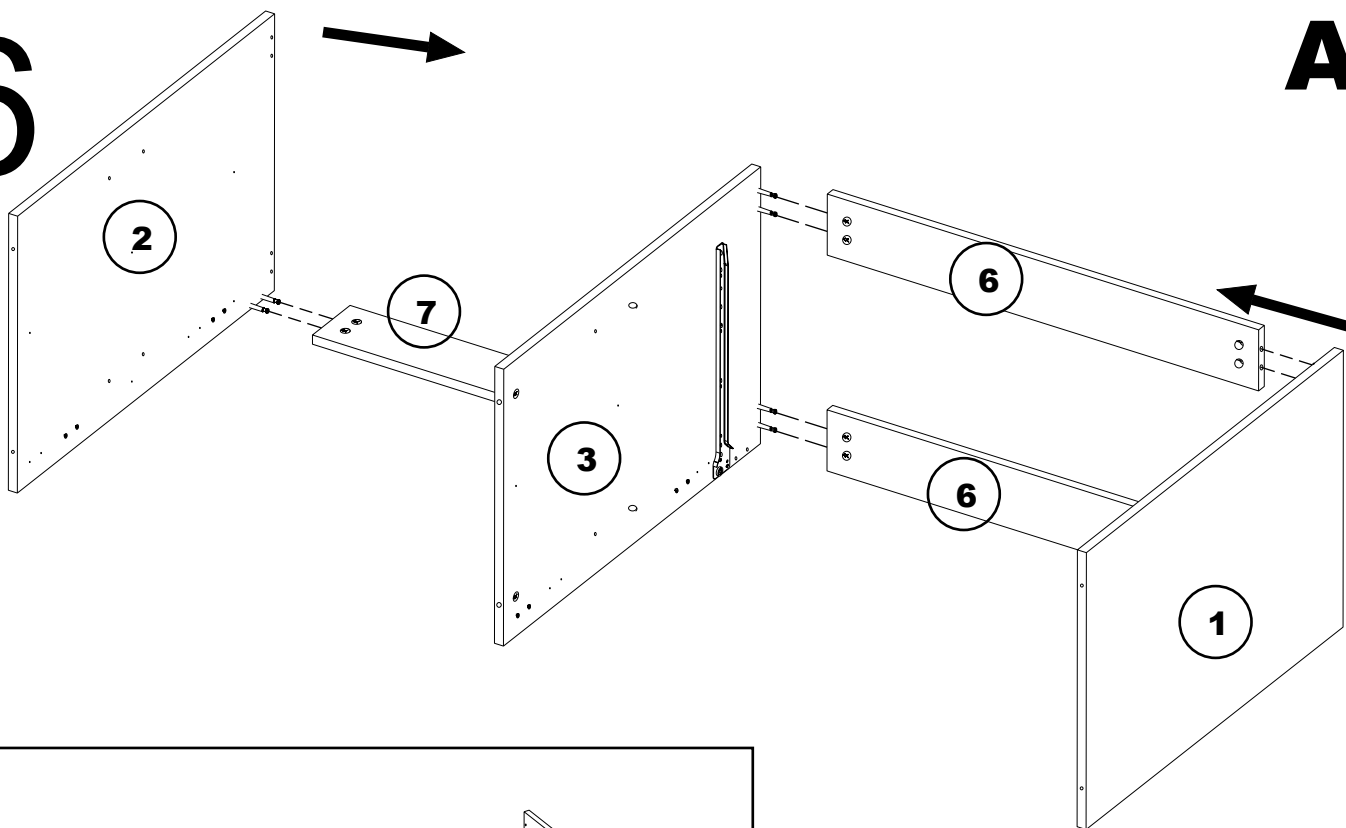
4



5

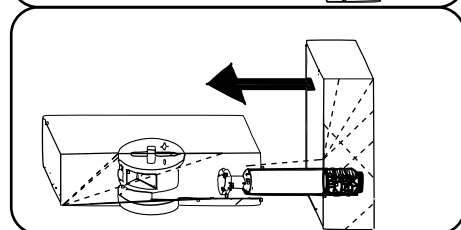
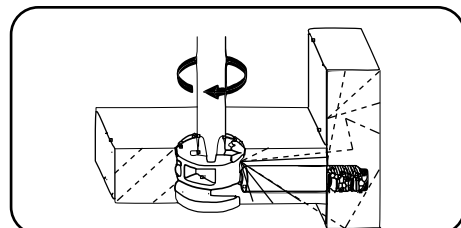
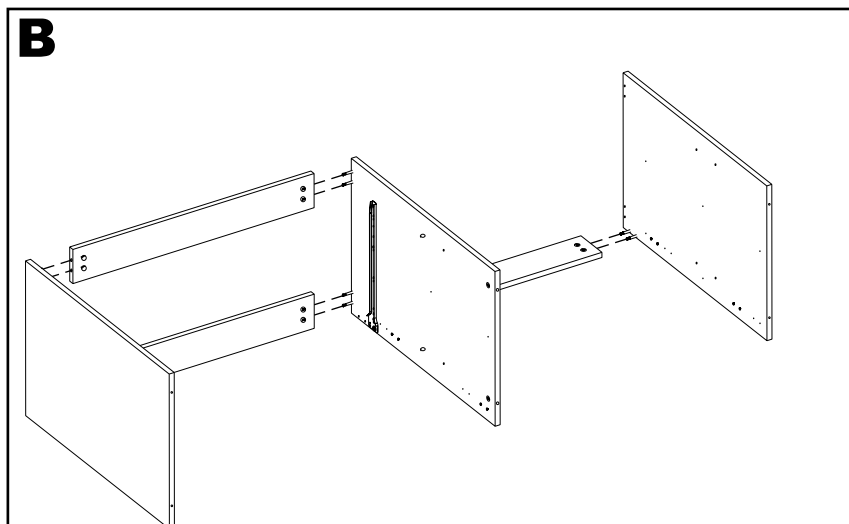


6

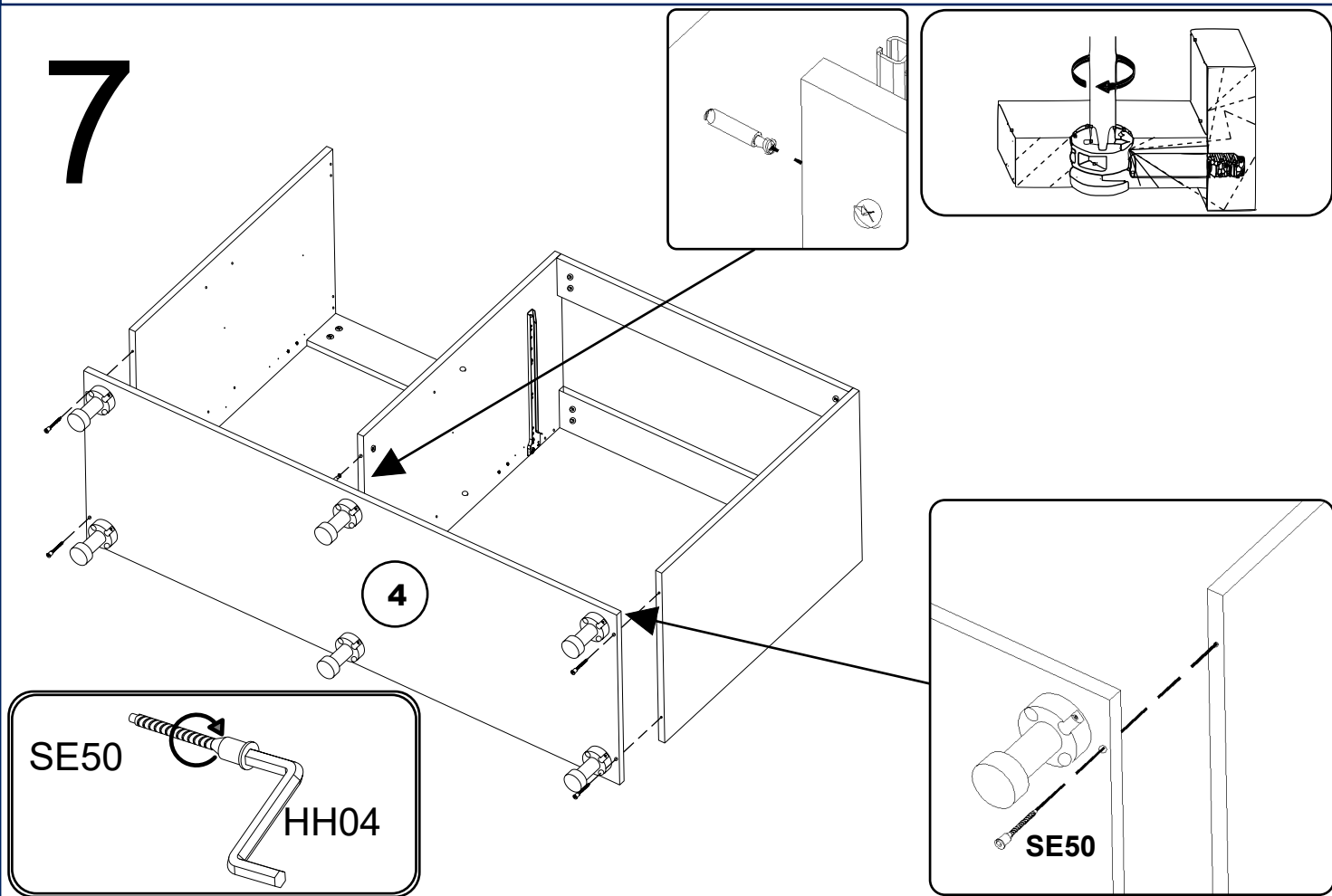


A

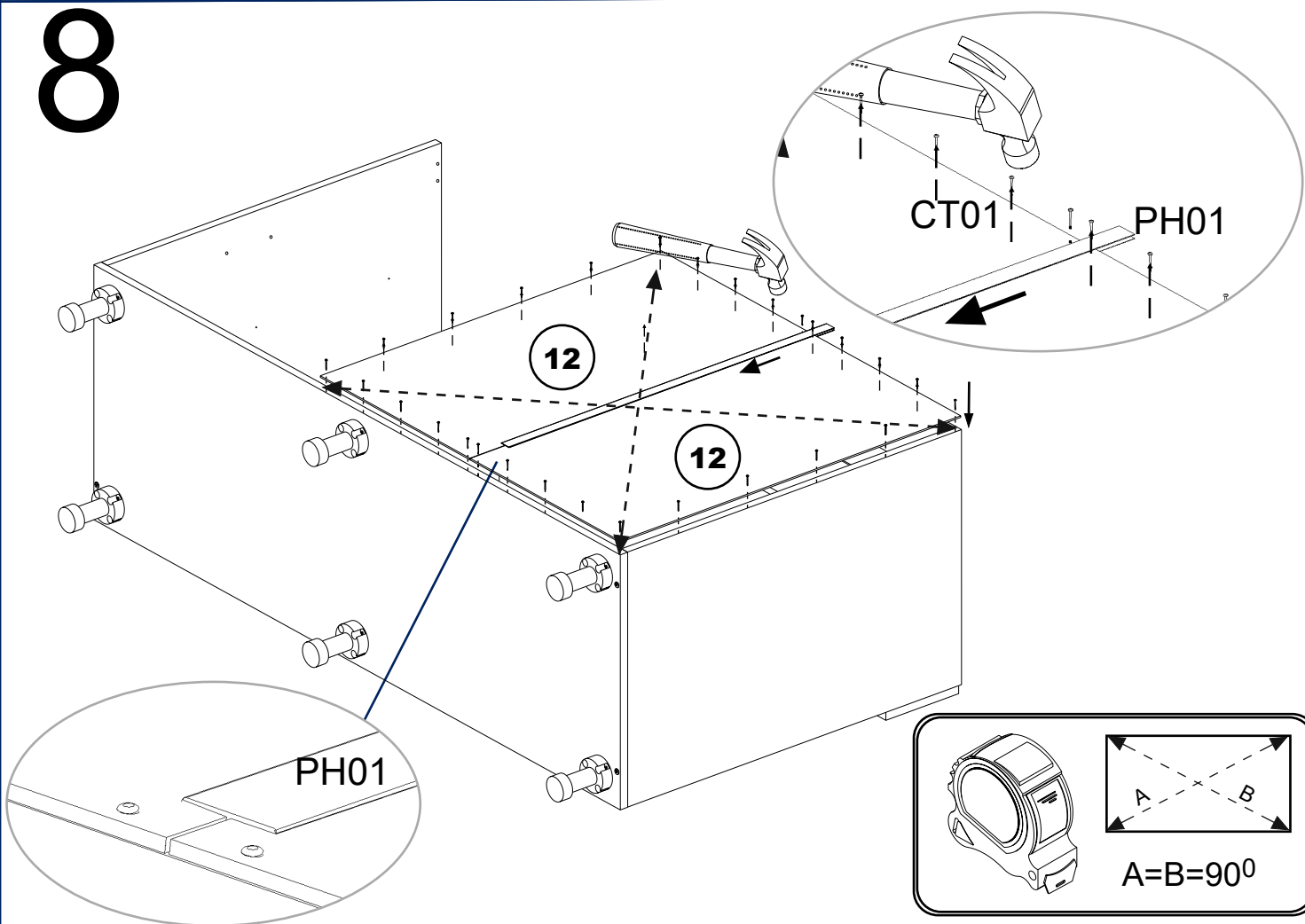
B



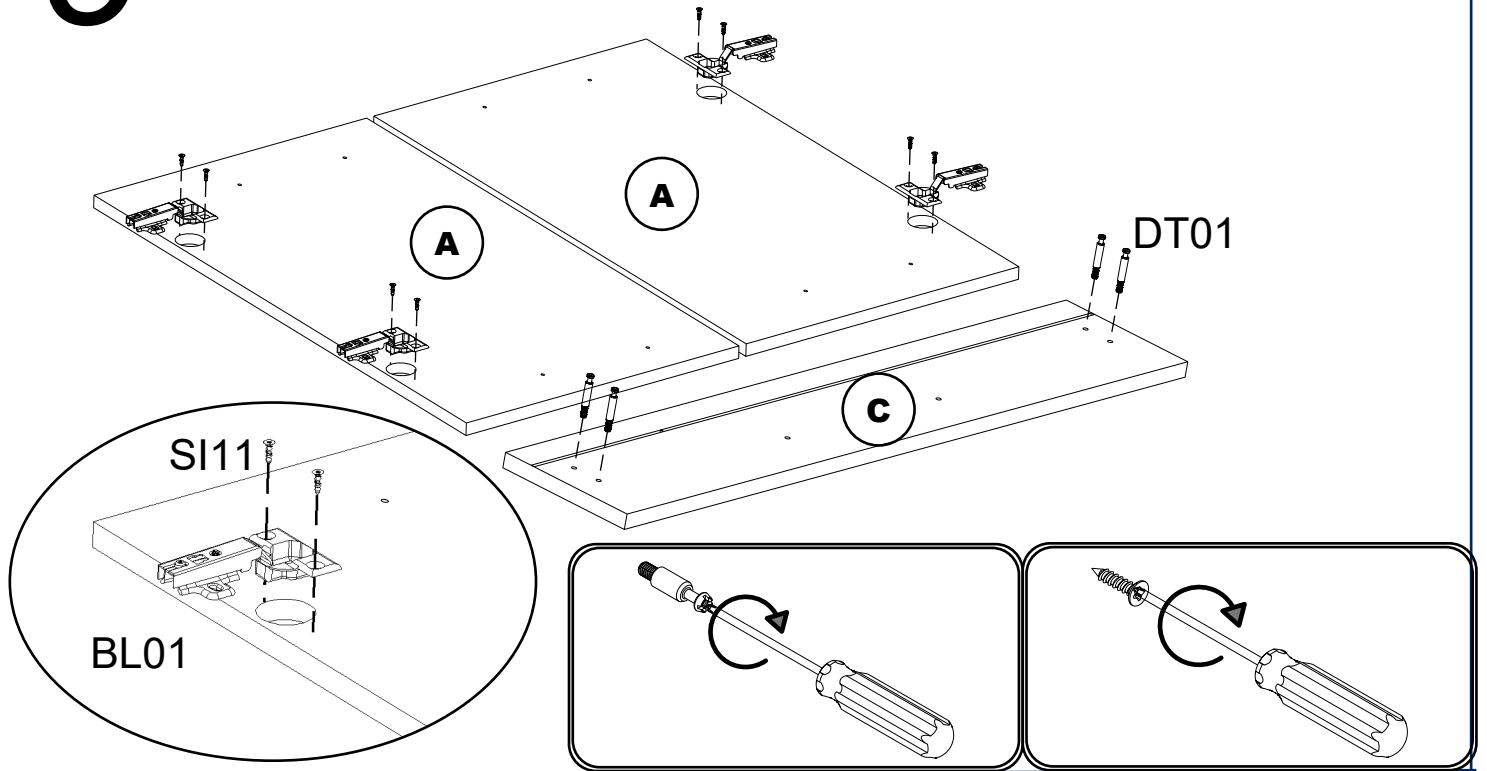
7



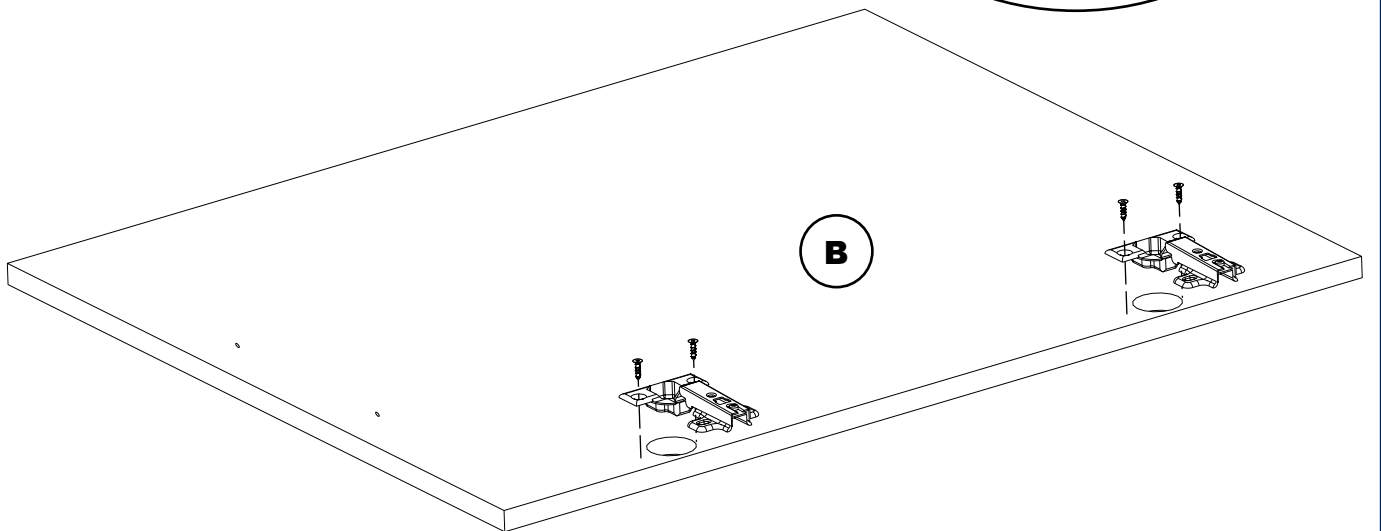
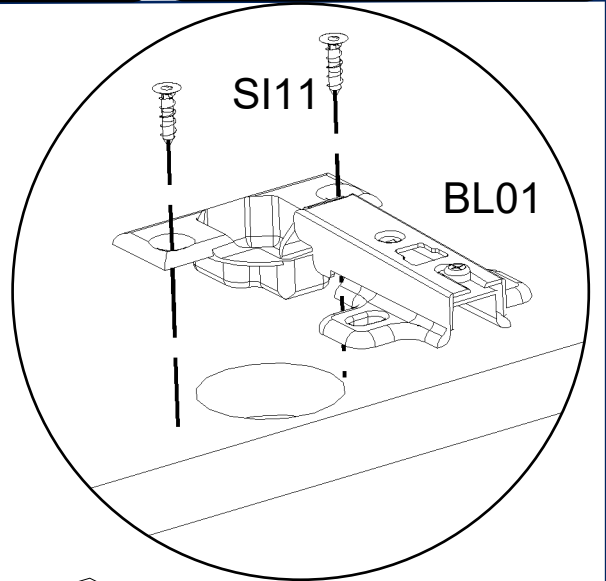
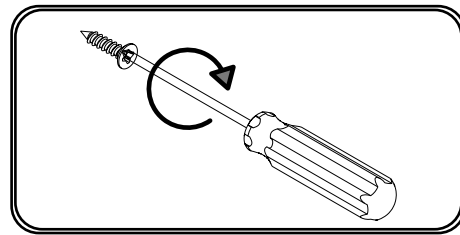
8



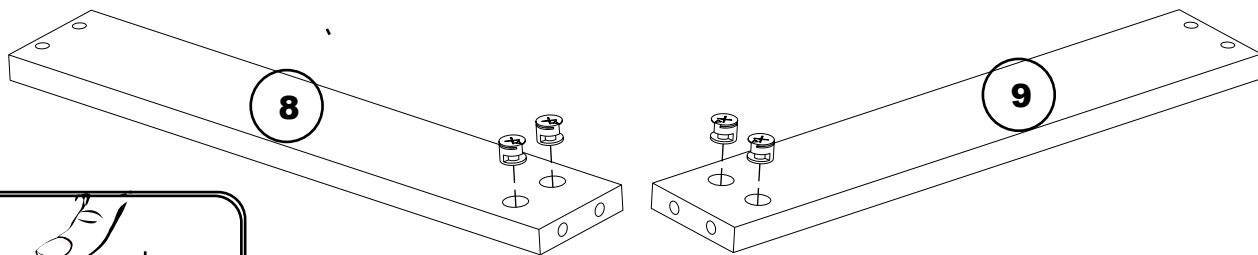
9



10

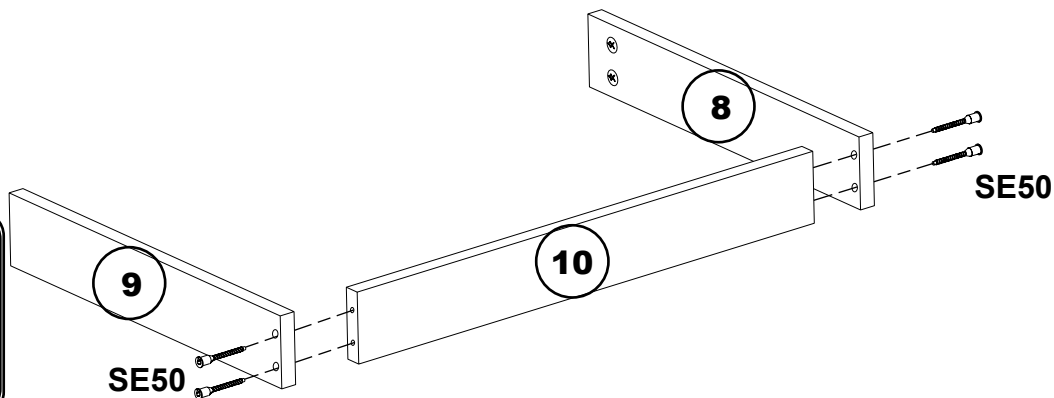


11



DC01

12



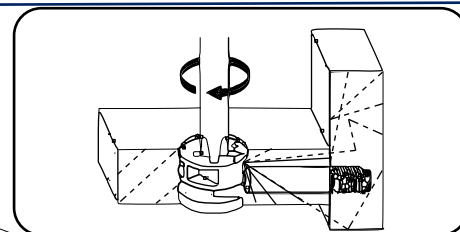
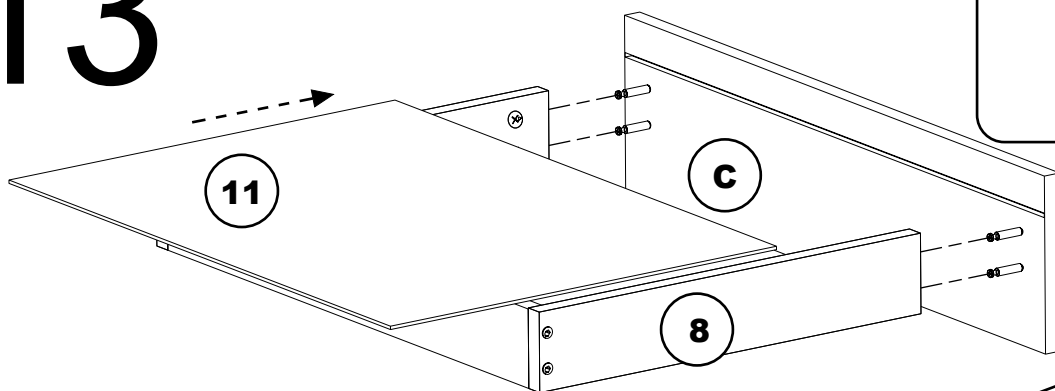
16xSE50

50mm

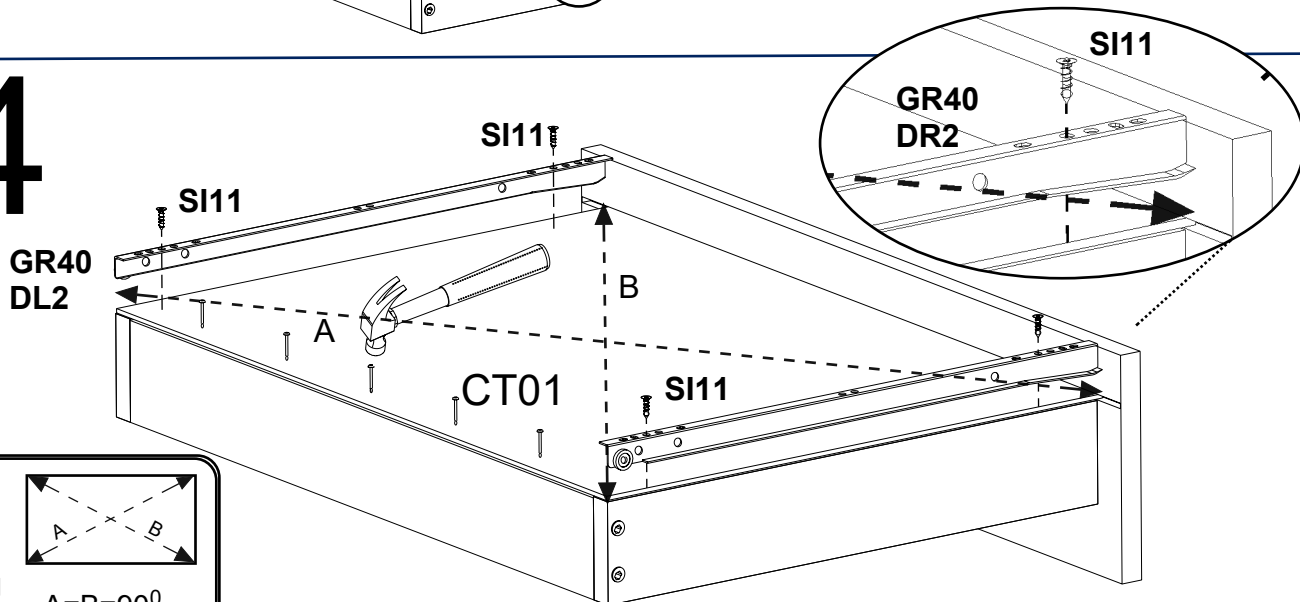
SE50

SE50

13



14



GR40
DL2

SI11

A

CT01

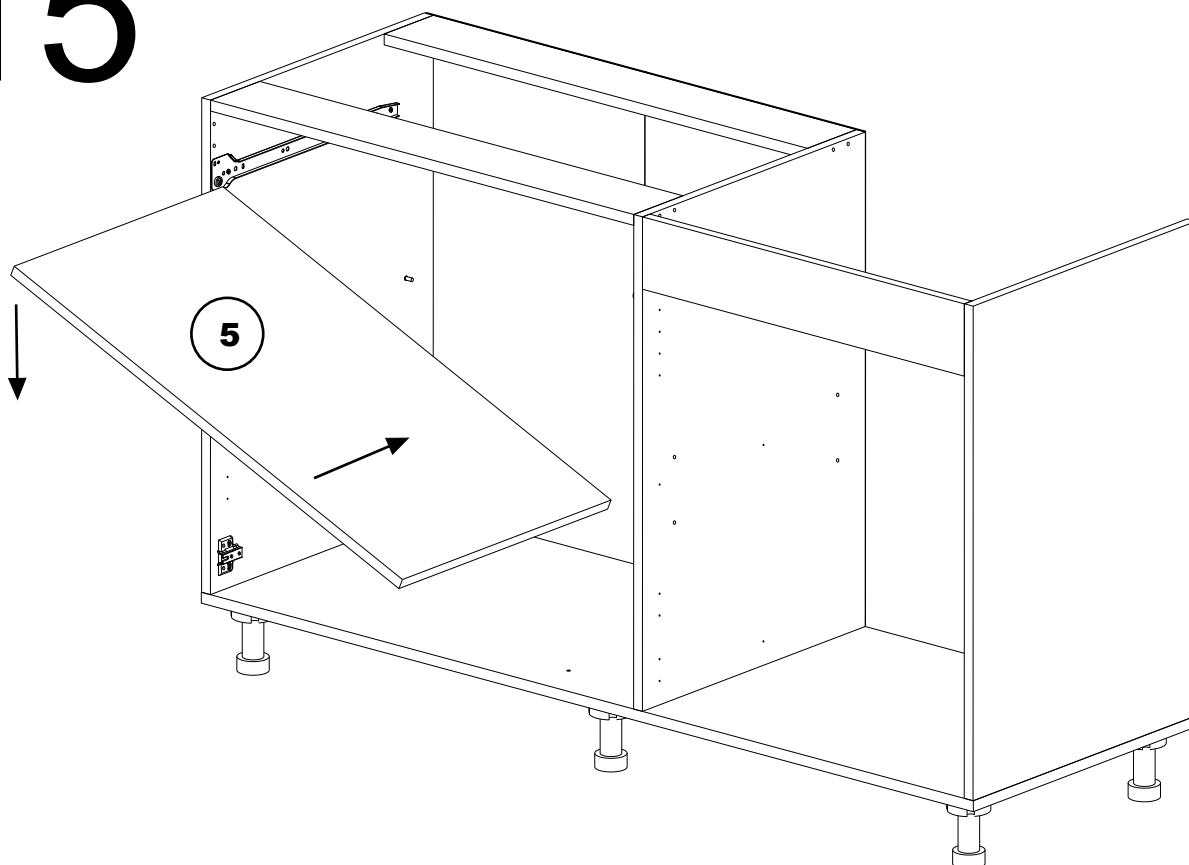
B

SI11

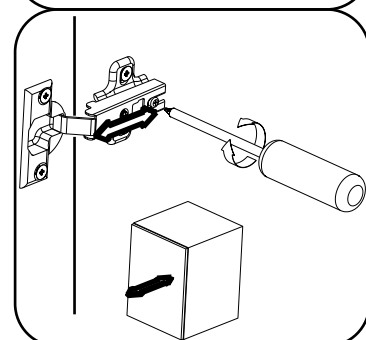
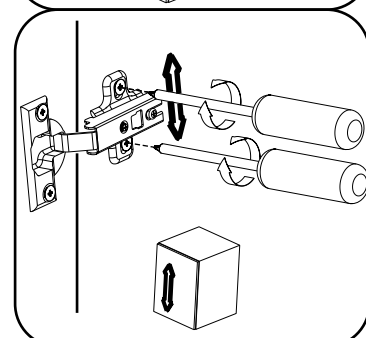
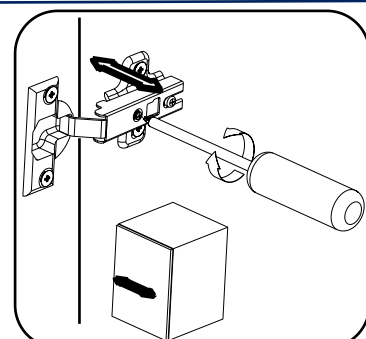
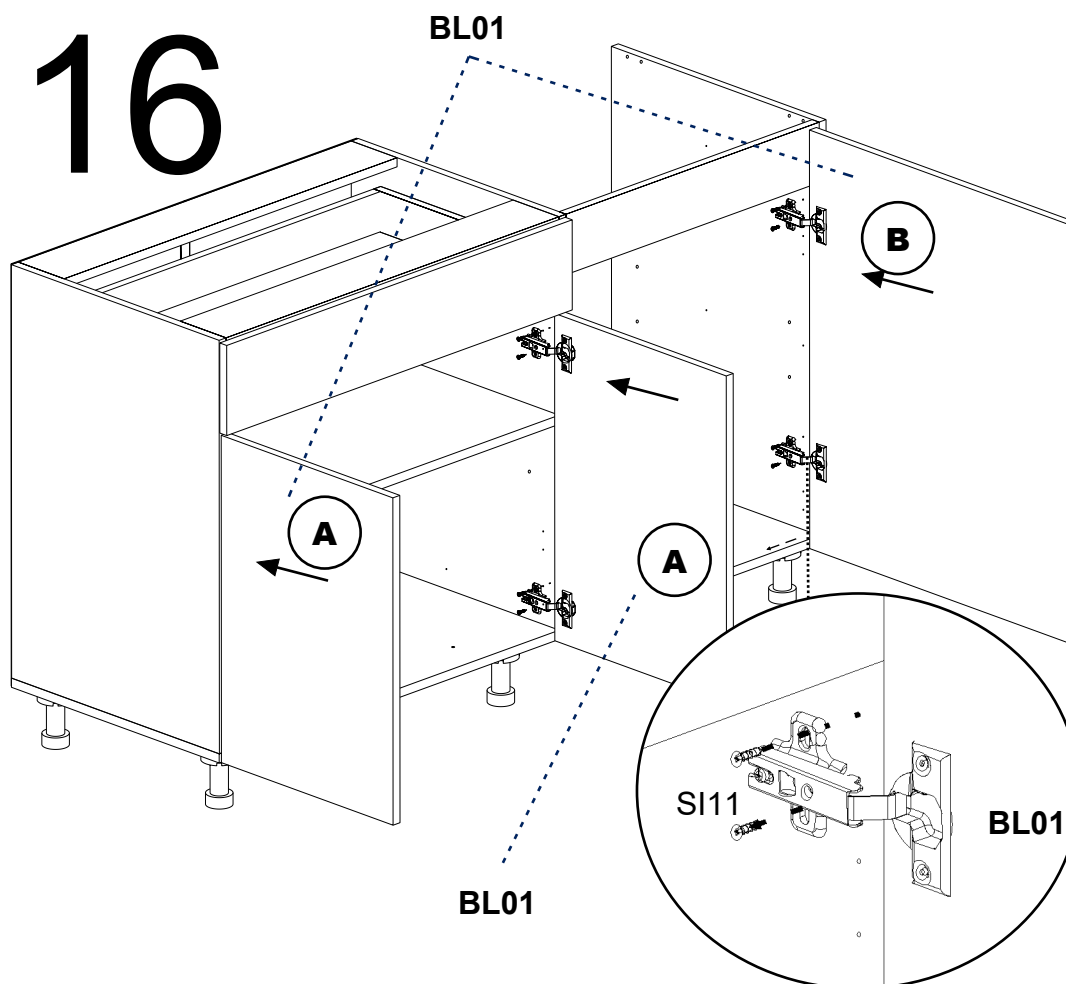
GR40
DR2

A=B=90°

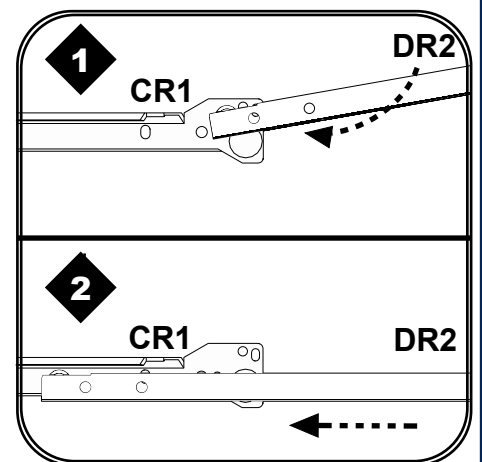
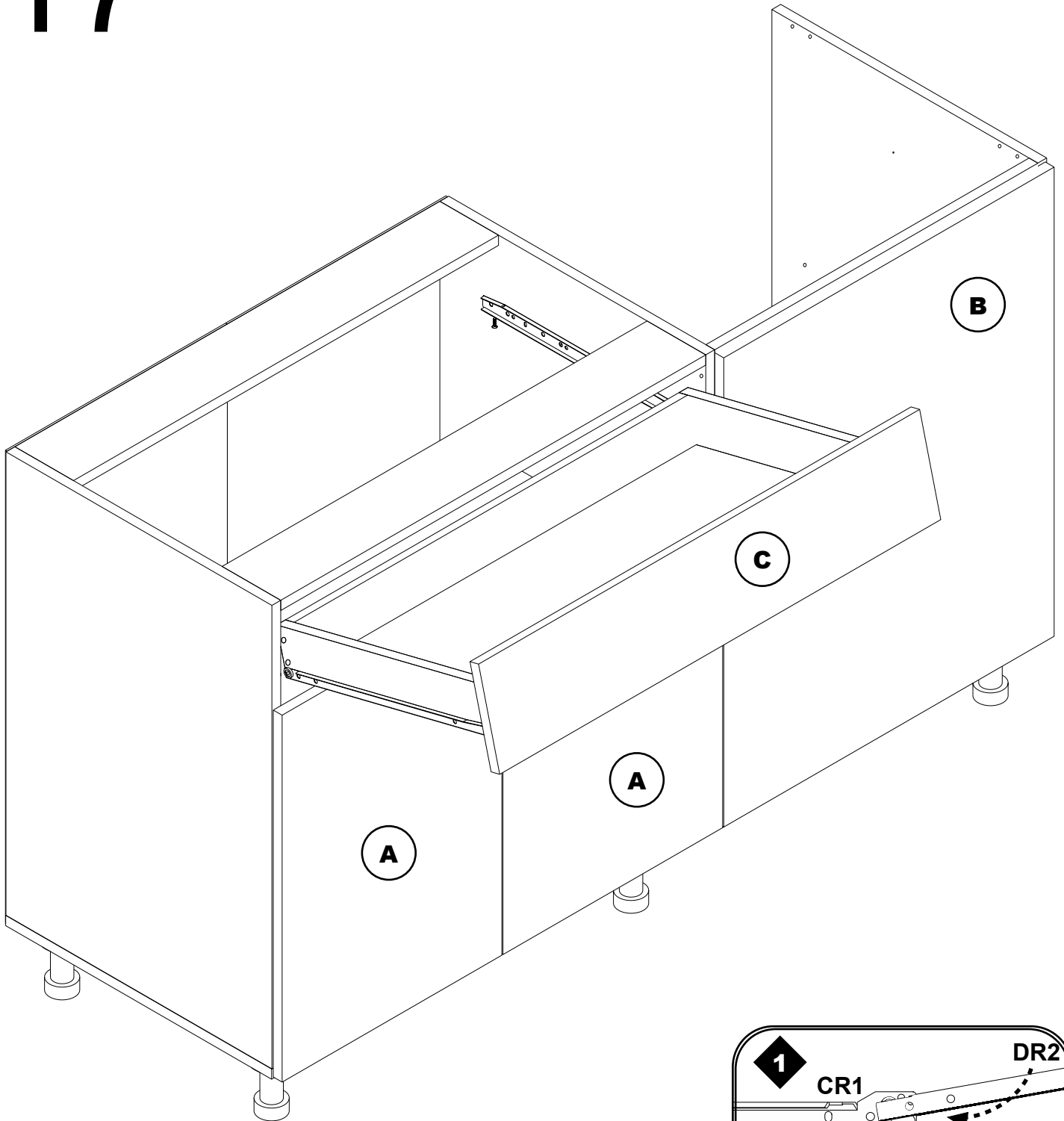
15

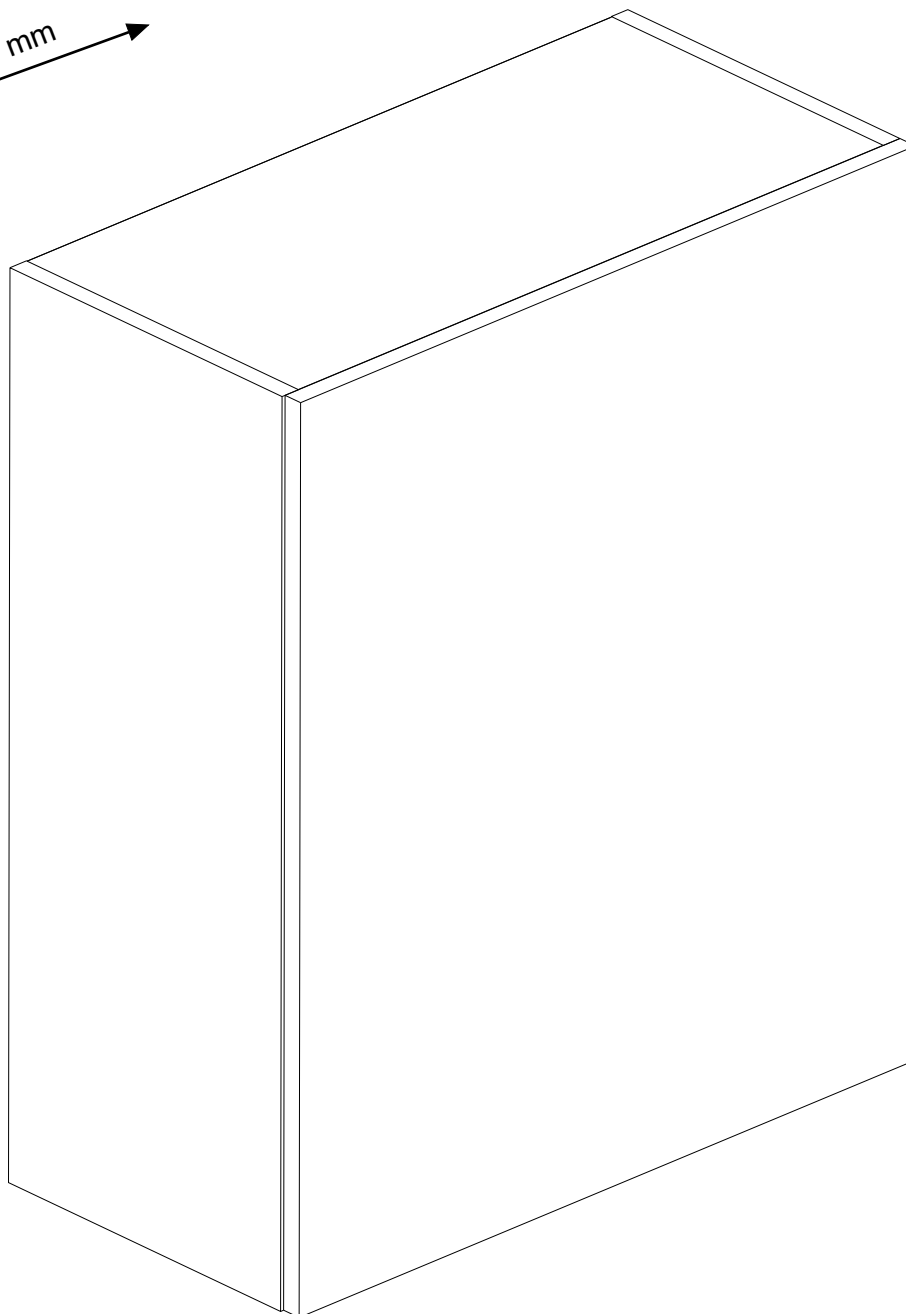
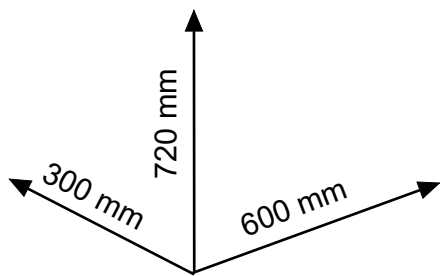


16



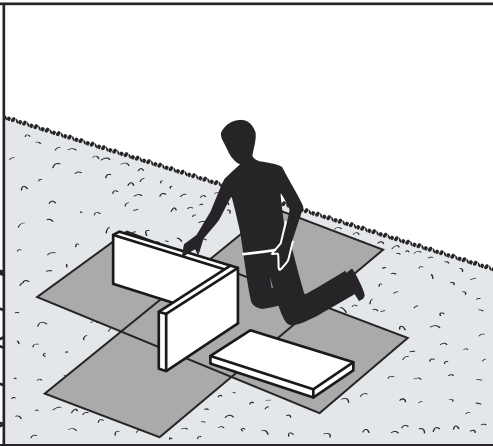
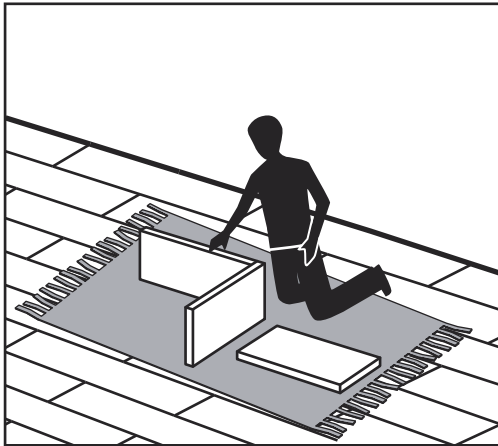
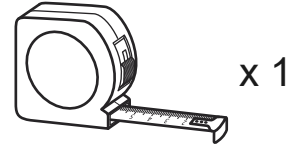
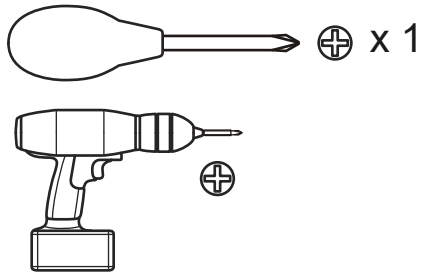
17



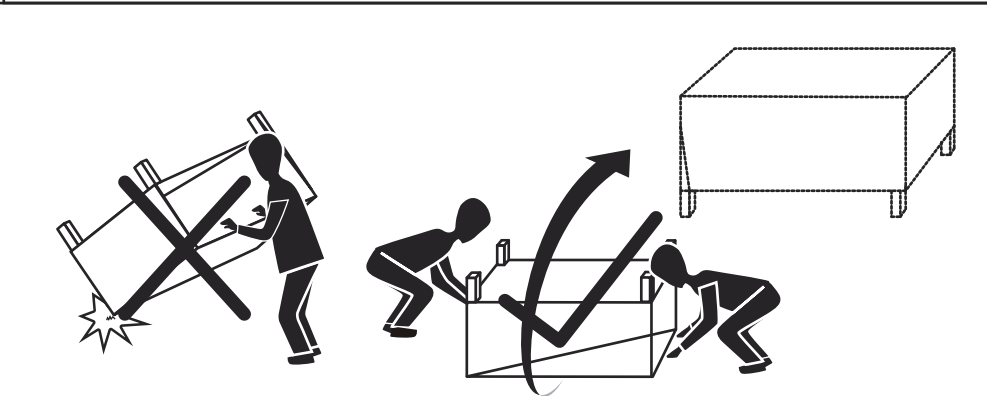
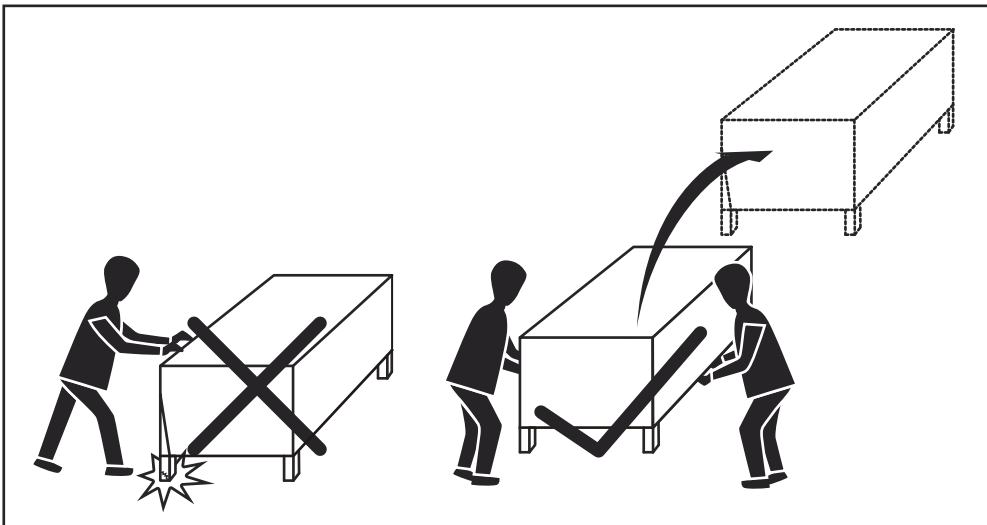
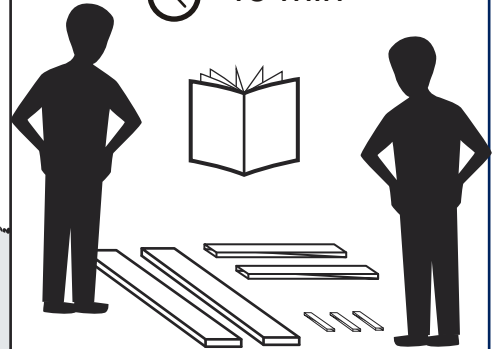


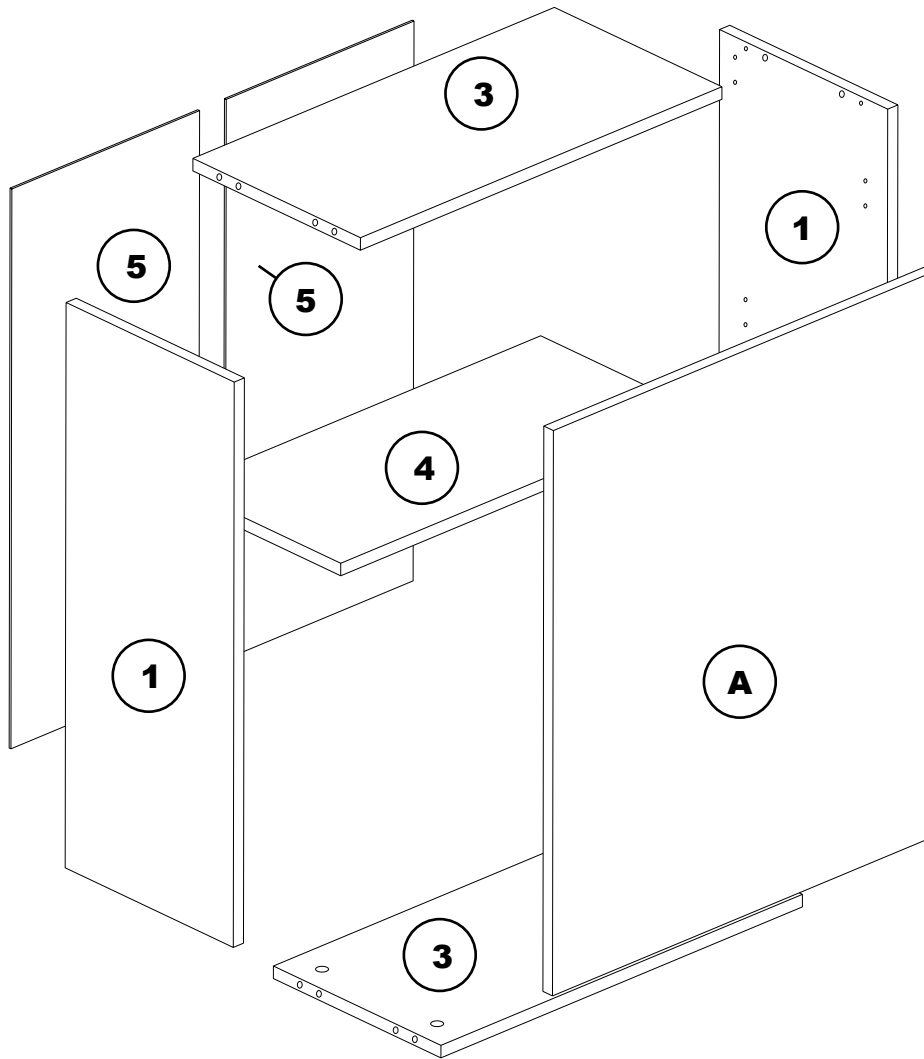
MATERIALE

Fronturi PAL
Carcasa Pal 16 mm
Spate HDF
Cant ABS 0.5 si 1 mm
Elemente de imbinare metalice si din lemn
Manere plastic

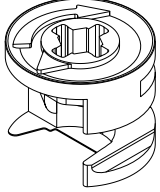
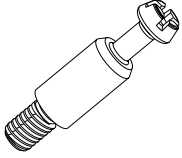
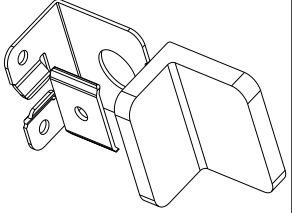
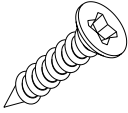
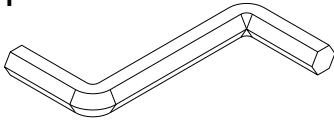
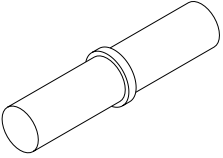
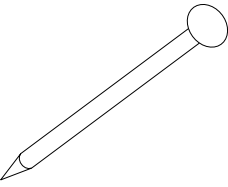
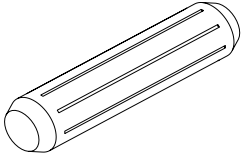
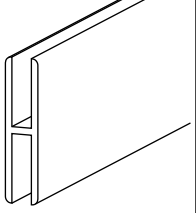
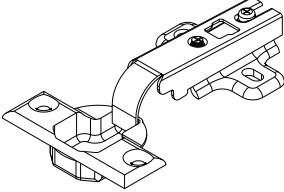


 45 min



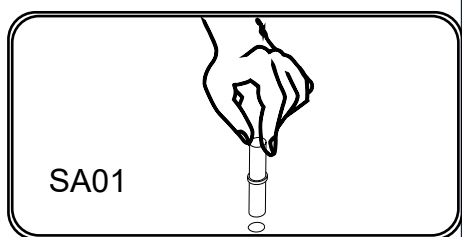
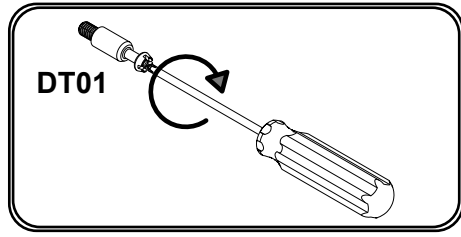
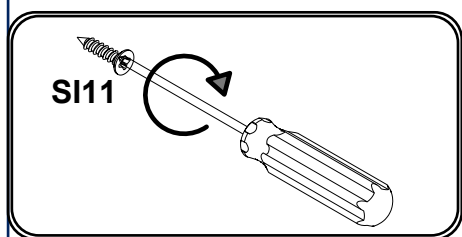
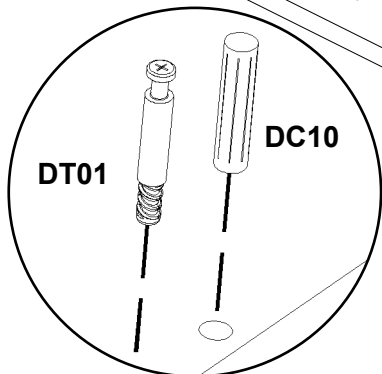
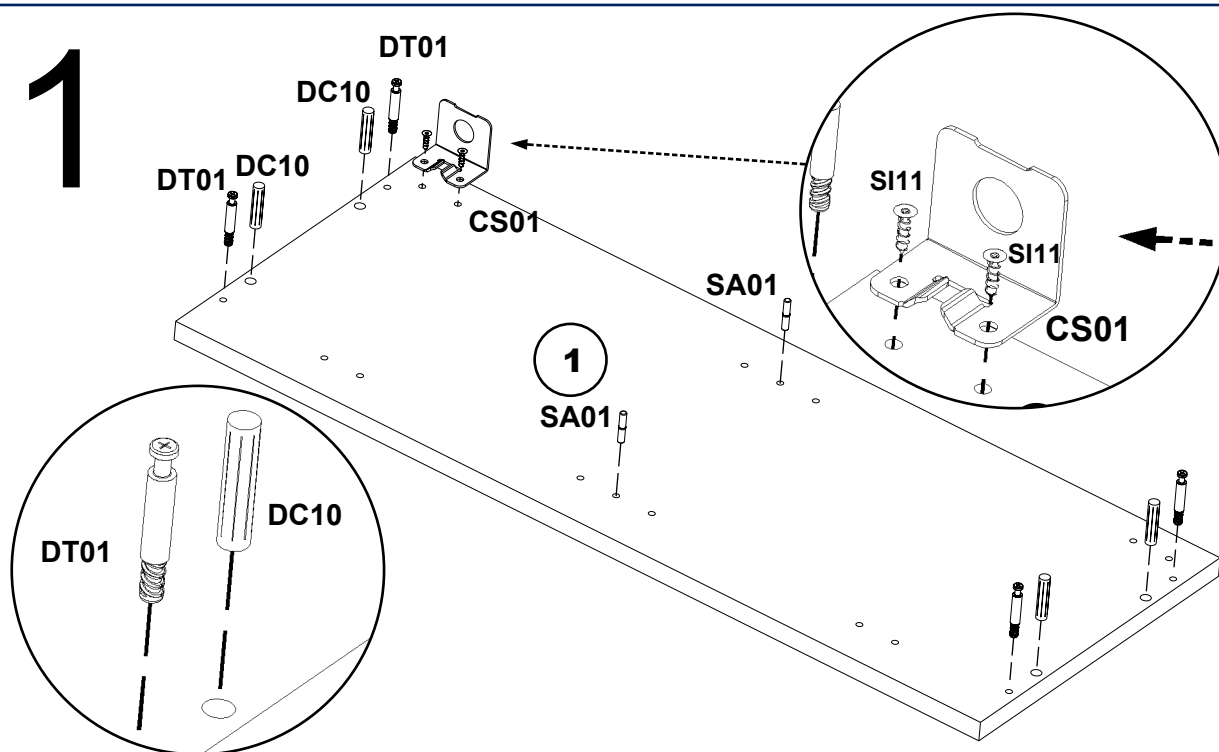


Nr.	Cod	Buc
1	0901	2
3	1103	2
4	1104	1
5	1105	2
A	0909	1

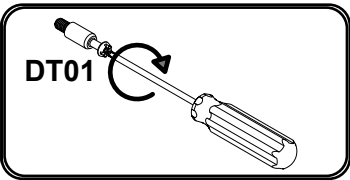
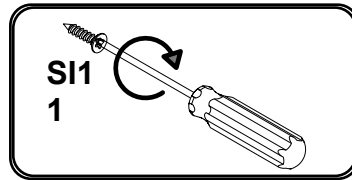
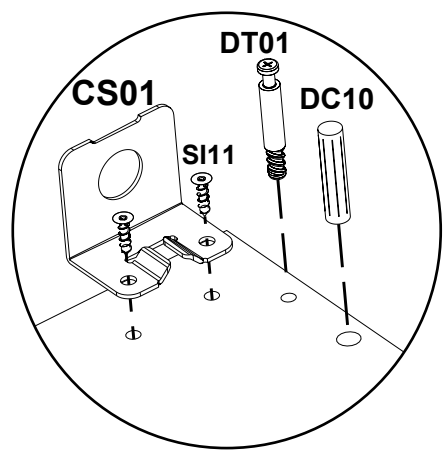
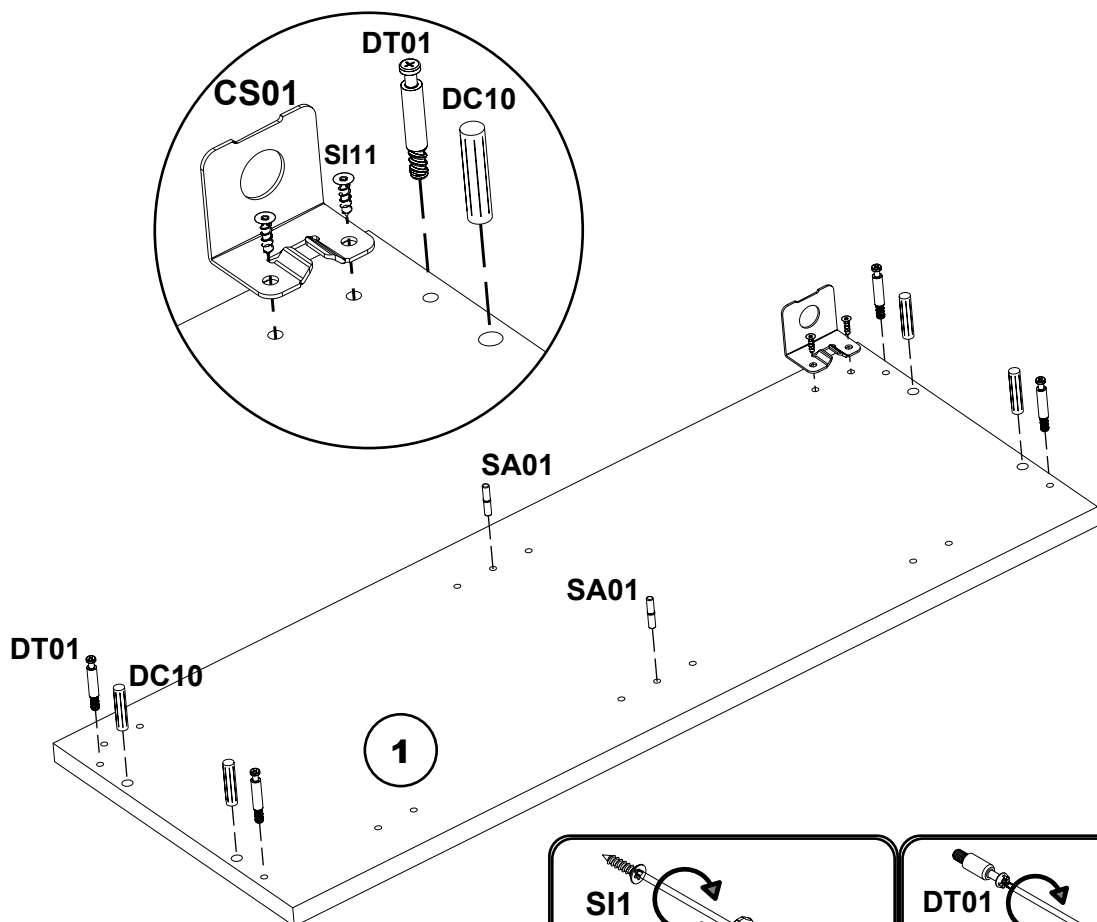
DC01 x8 	DT01 x8 	CS01 x2 
SI11 x16 	HH04 x1 	SA01 x4 
CT01 ≈ 26 	DC10 x8 	PH01 x1 
	BL01 x2 	

1

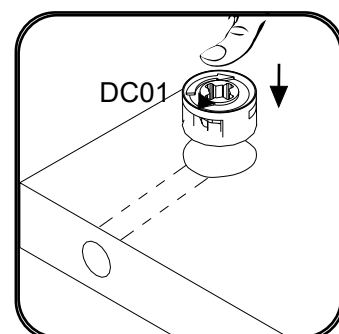
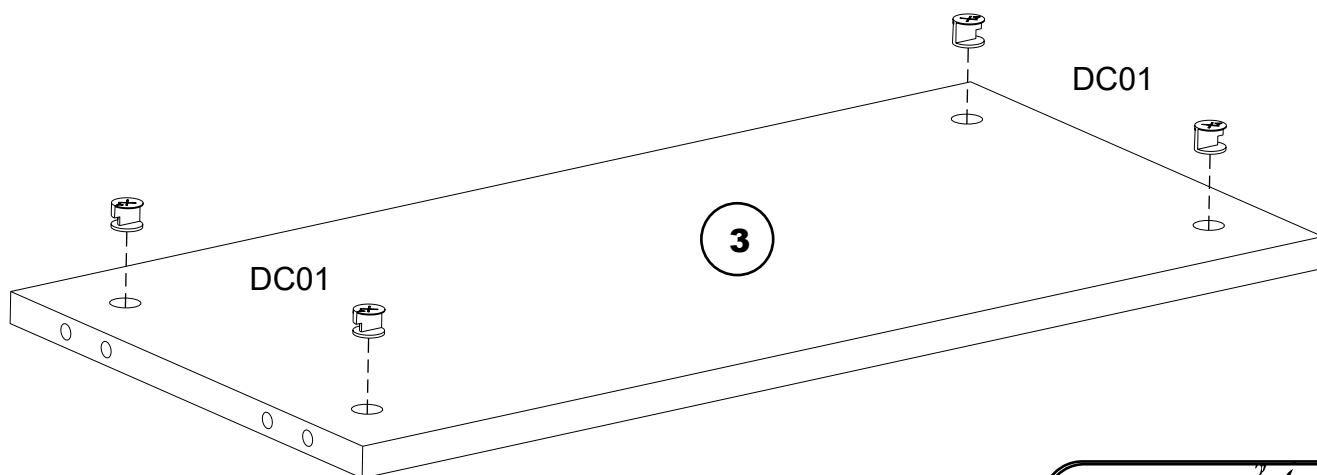
A



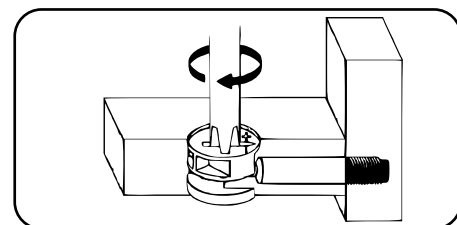
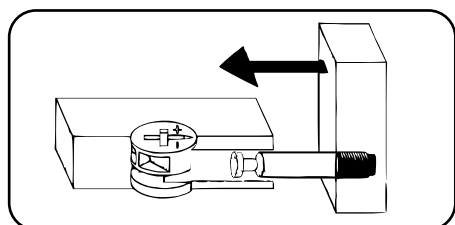
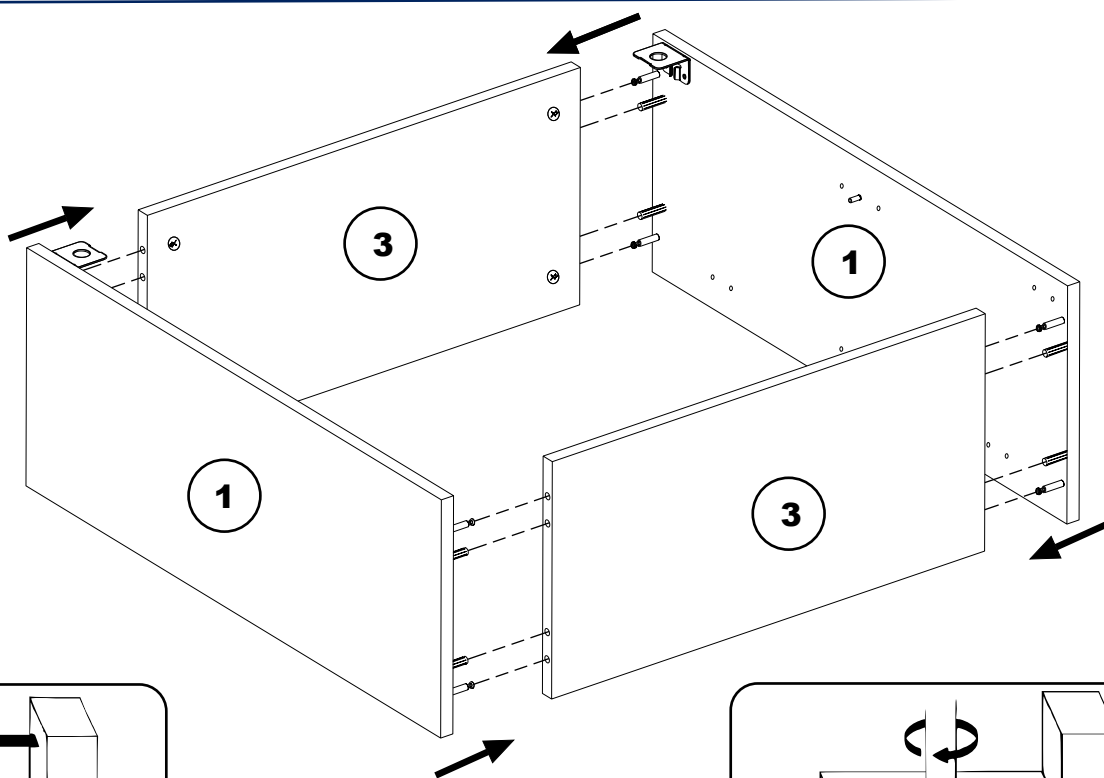
2



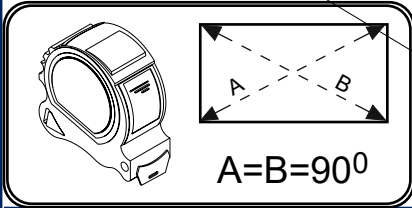
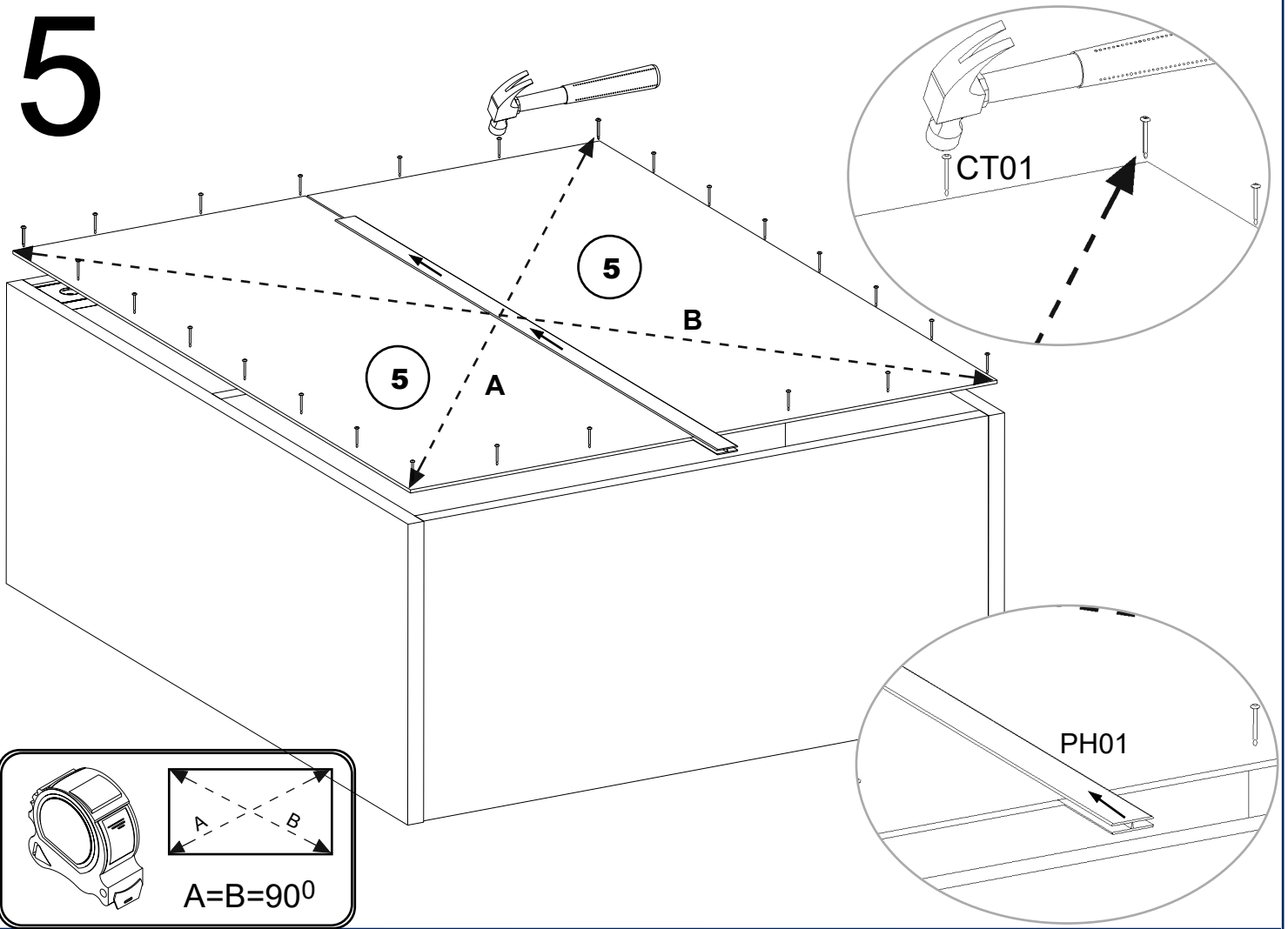
3



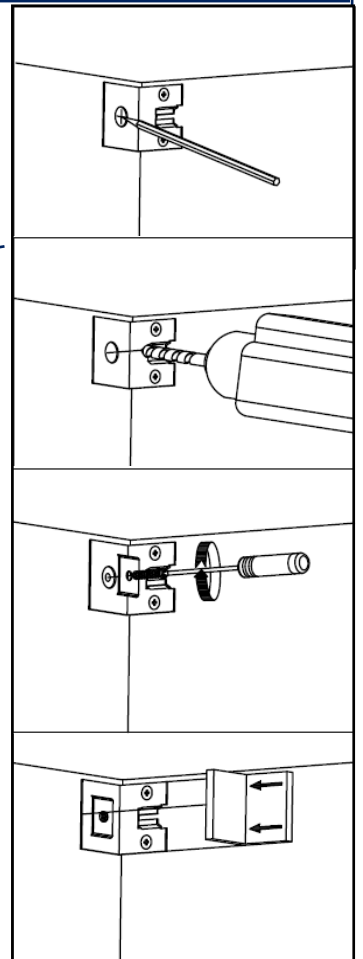
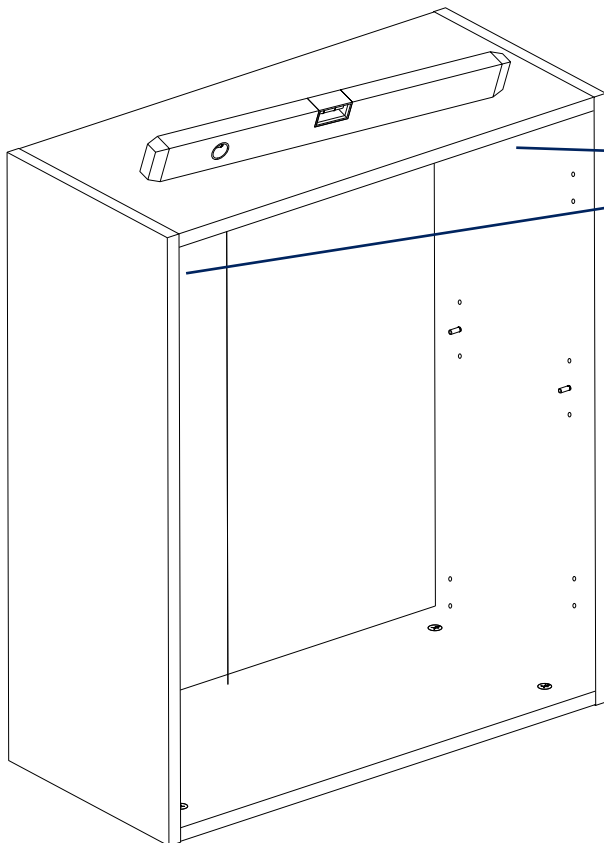
4



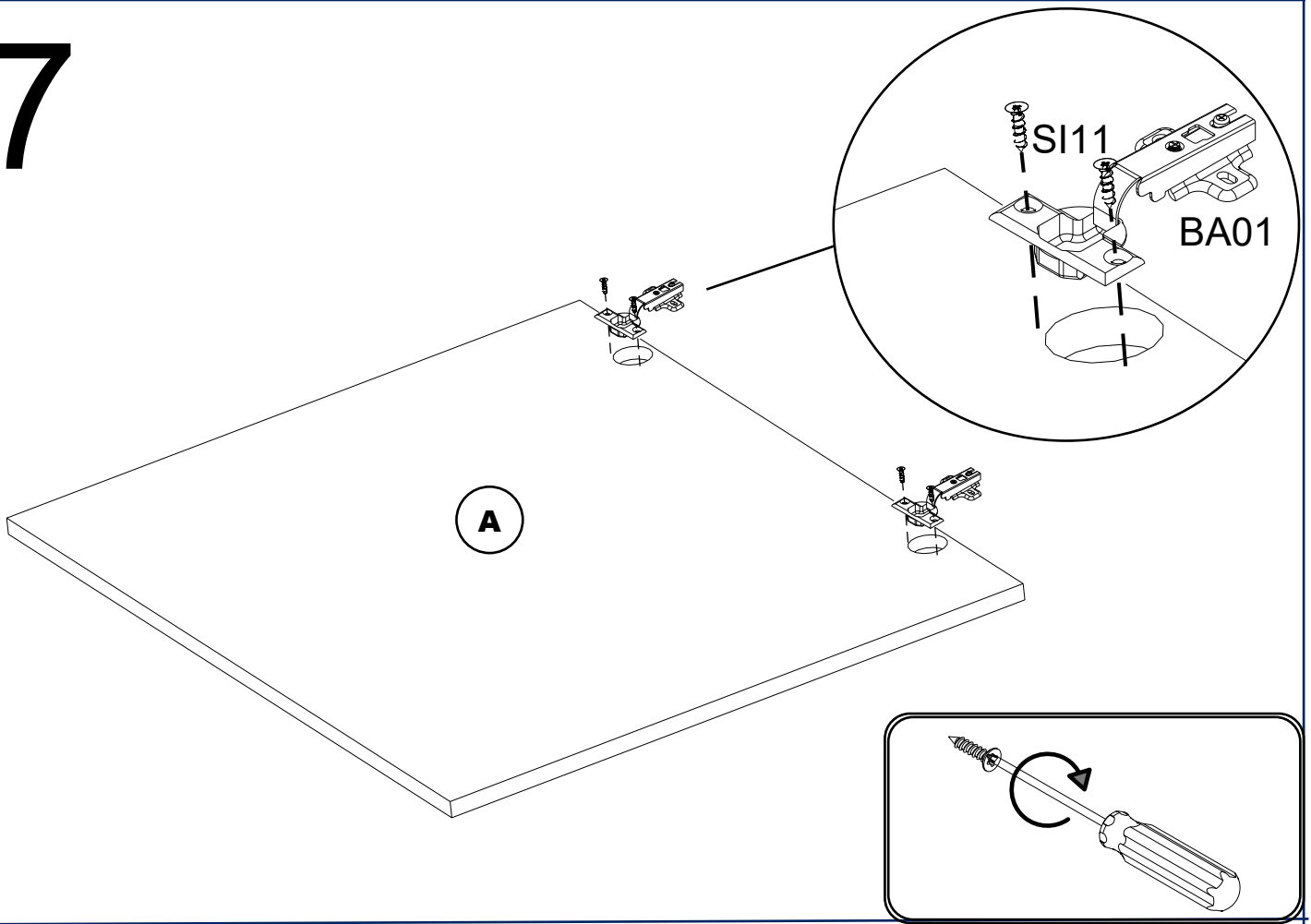
5



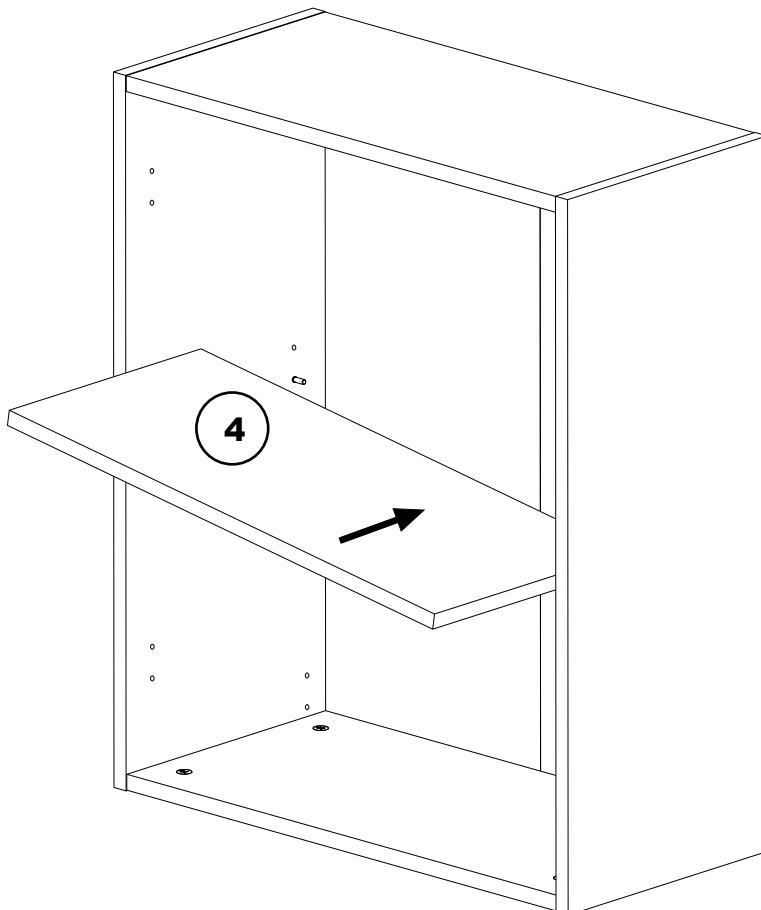
6



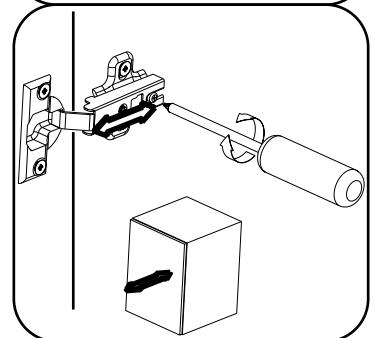
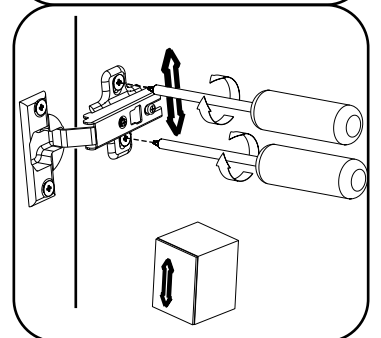
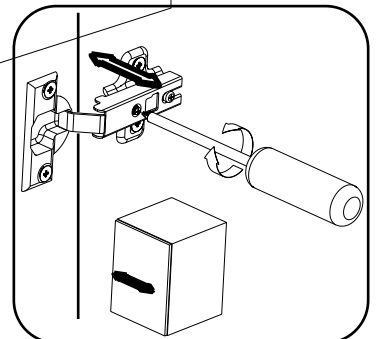
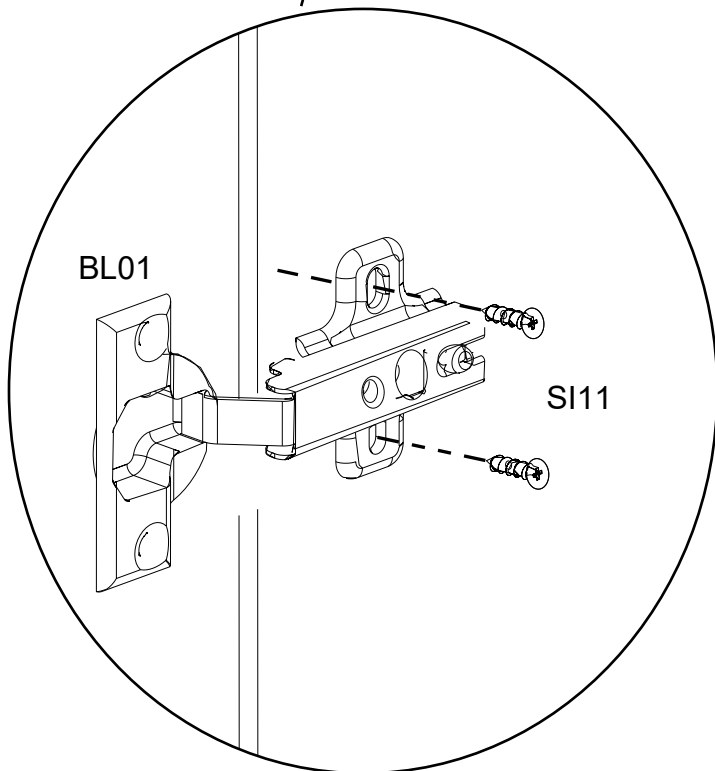
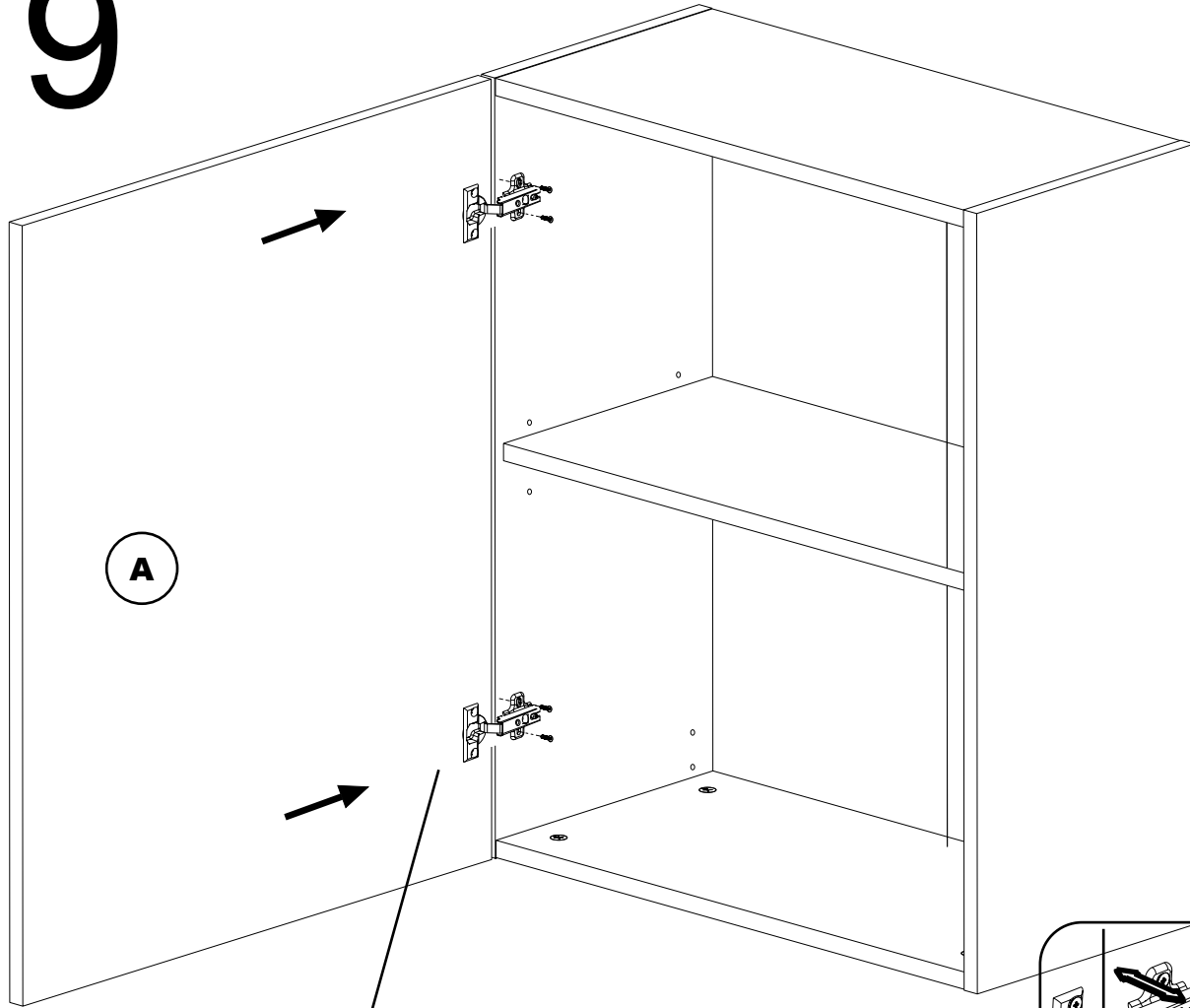
7



8

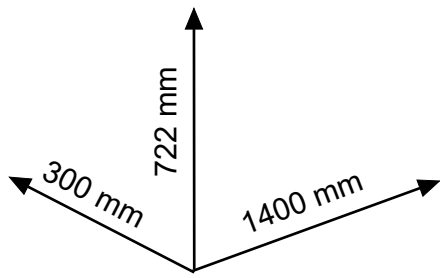


9

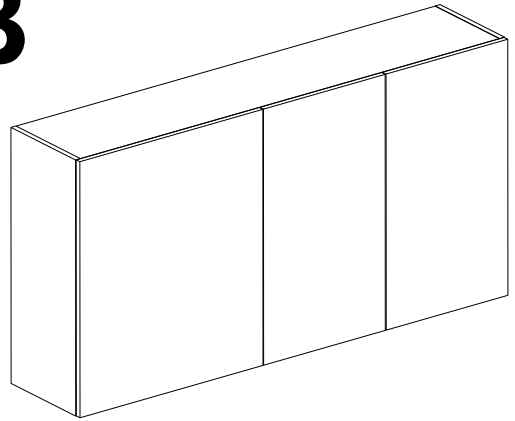


Bucatarii

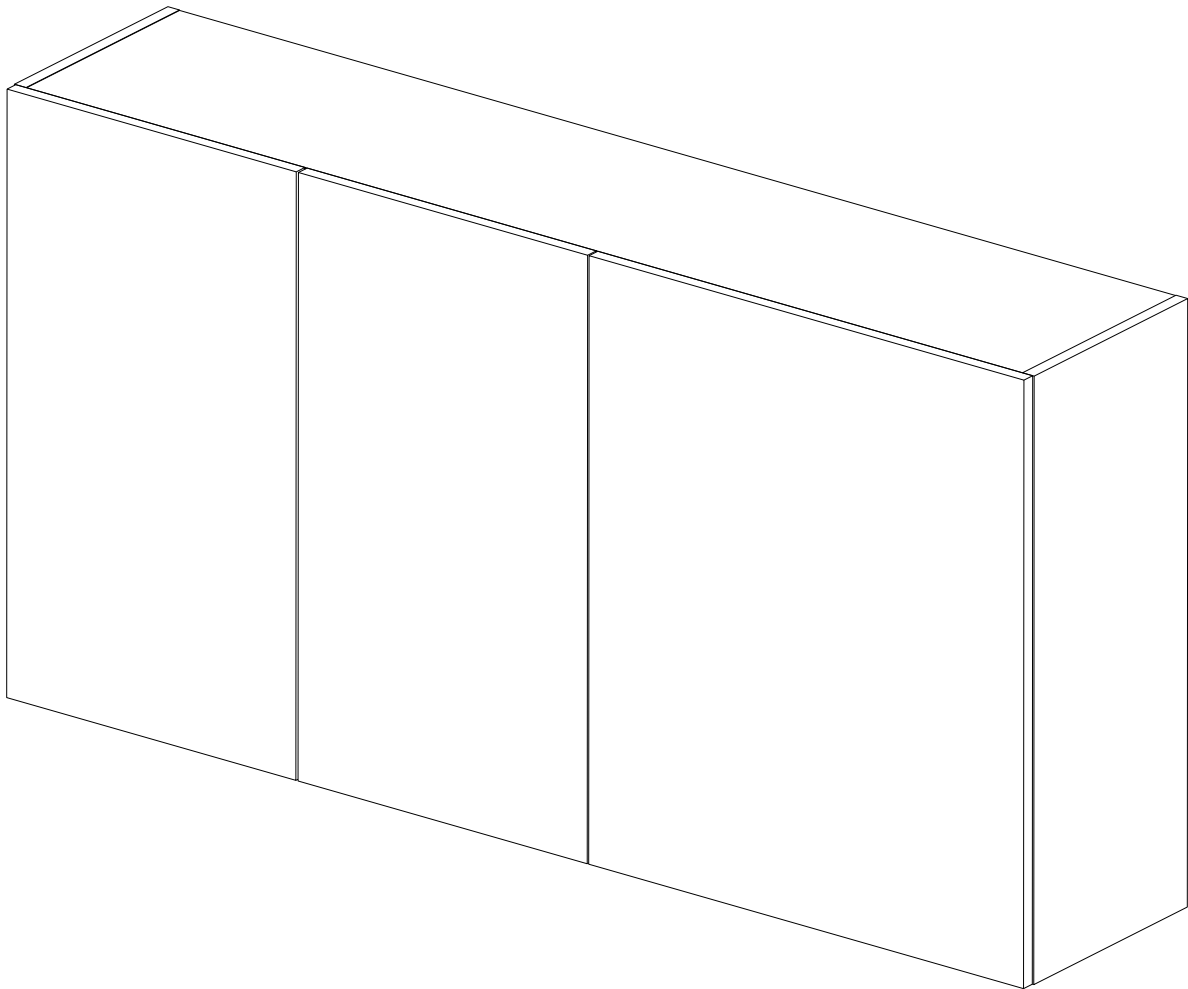
SUPERIOR 1400 2U+PIC



B



A

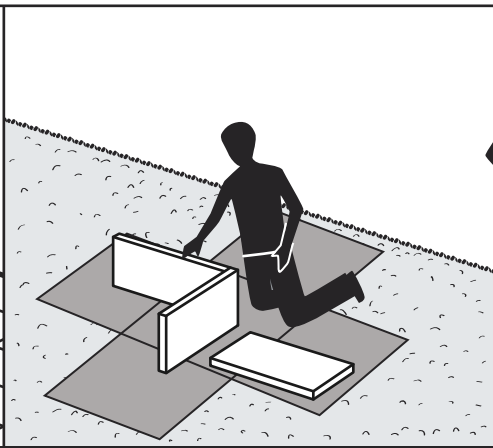
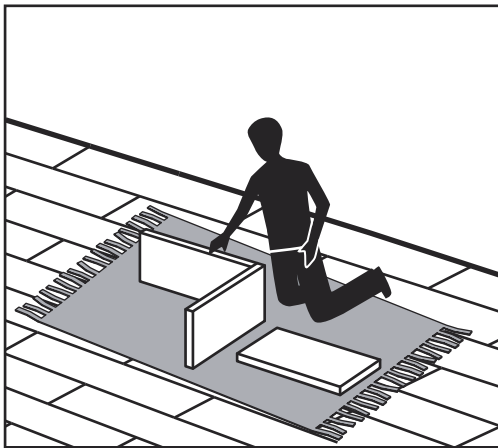
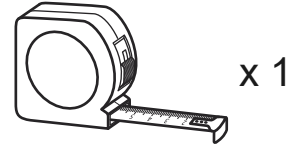
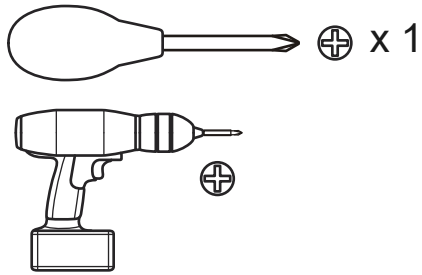


MATERIALE

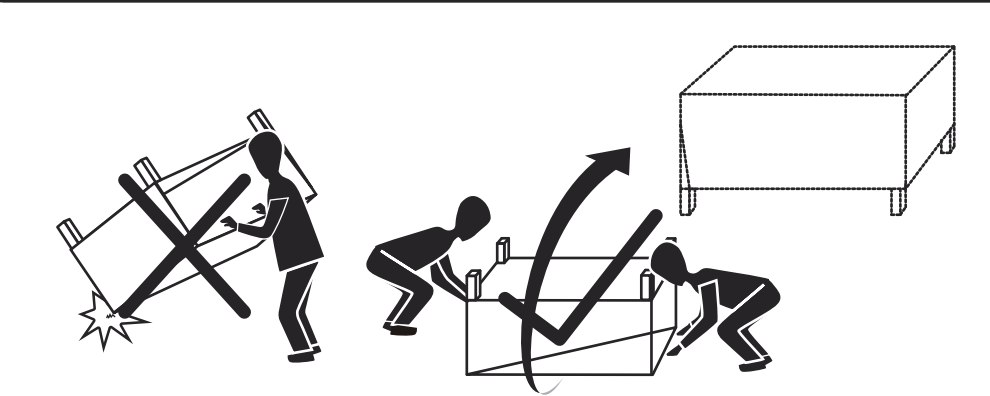
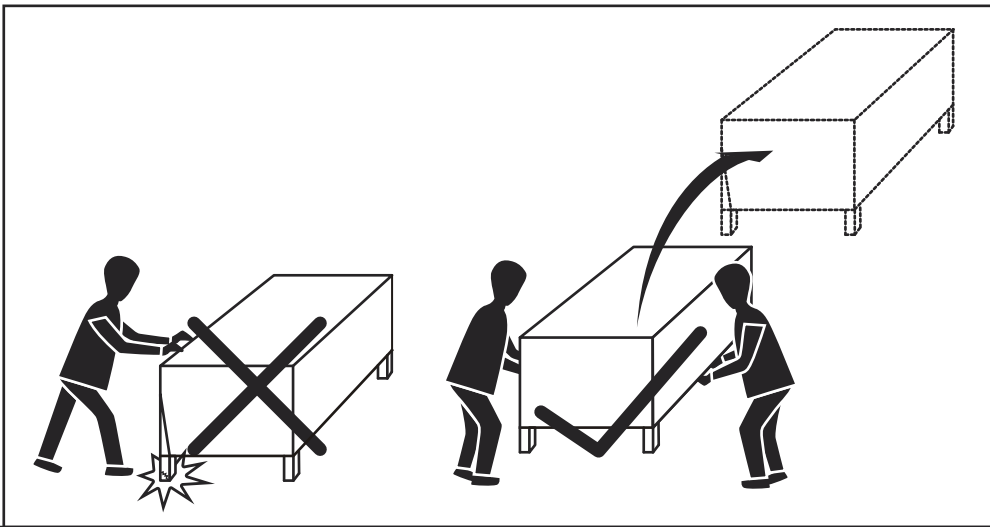
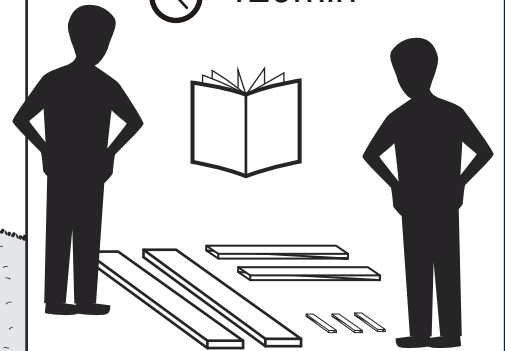
Fronturi Pal
Carcasa Pal 16 mm
Spate HDF
Cant ABS 0.5 si 1 mm
Elemente de imbinare metalice si din lemn
Manere plastic

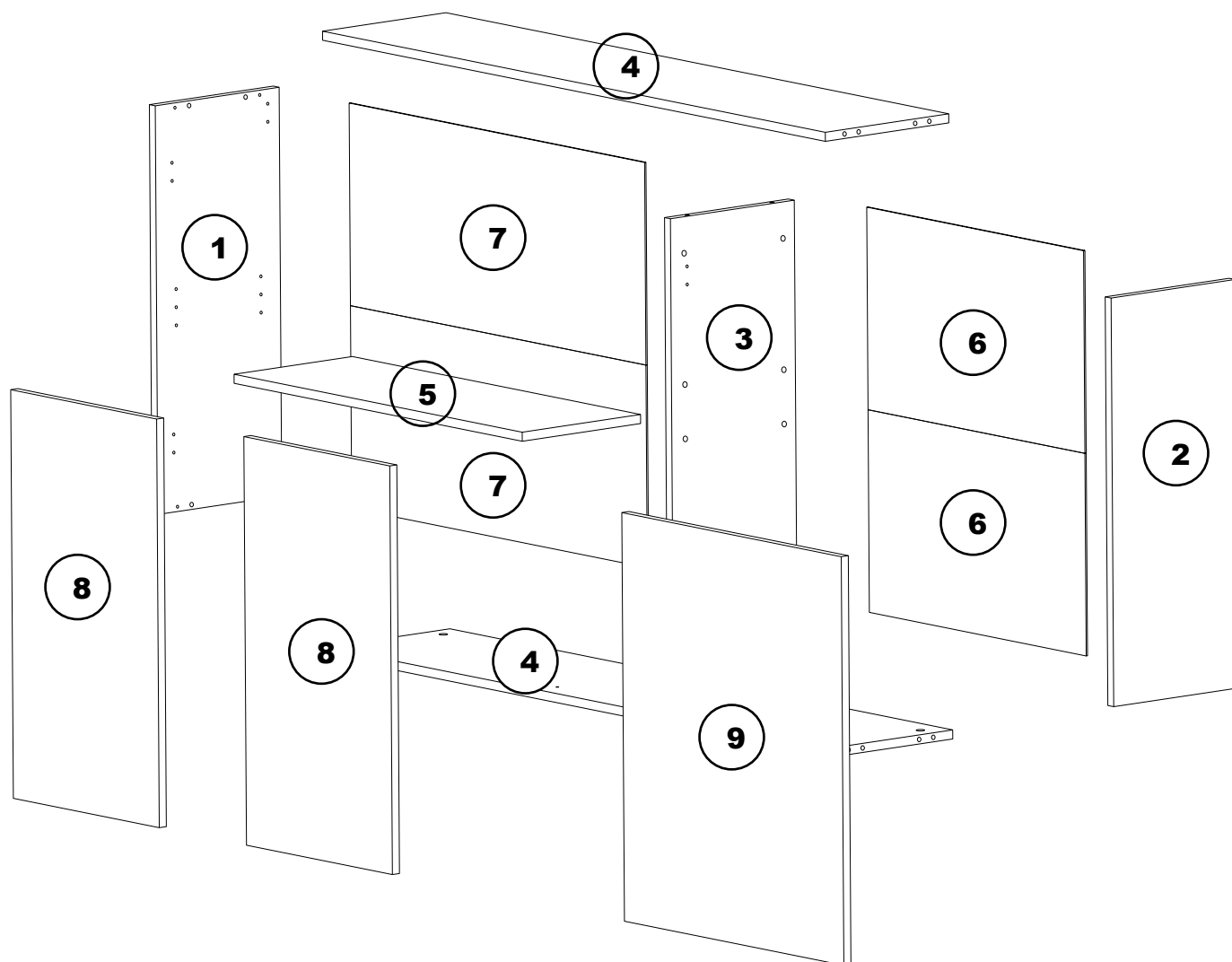
Bucatarii

SUPERIOR 1400 2U+PIC

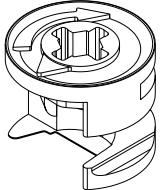
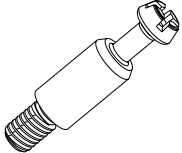
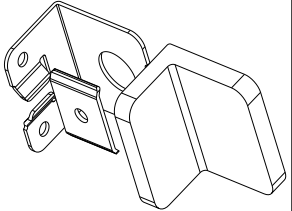

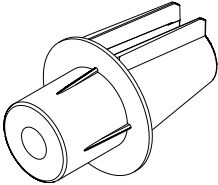
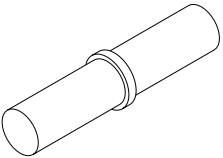
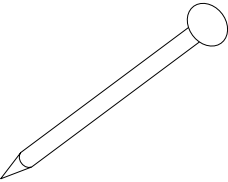
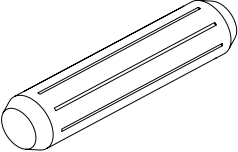
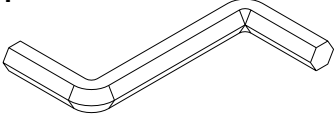
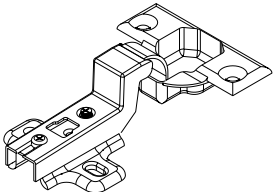
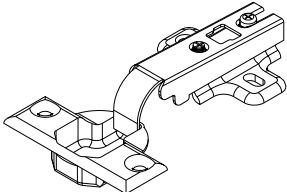
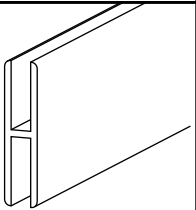
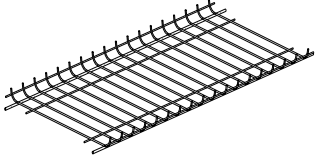
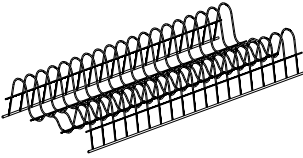
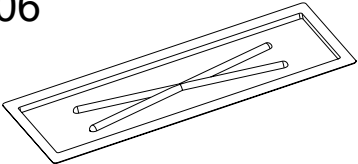


 120min



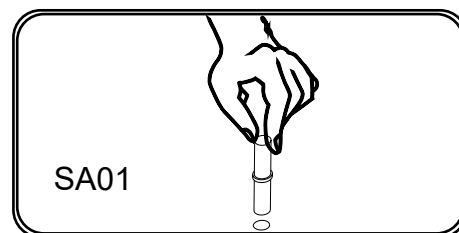
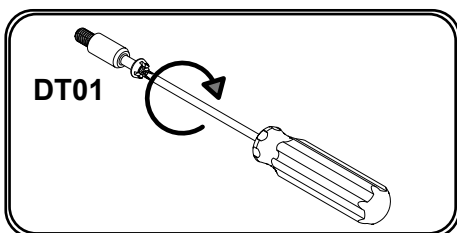
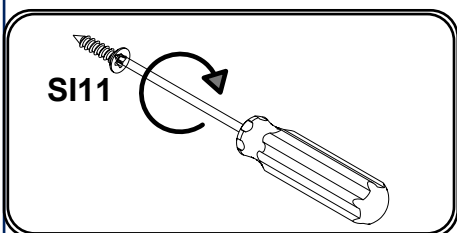
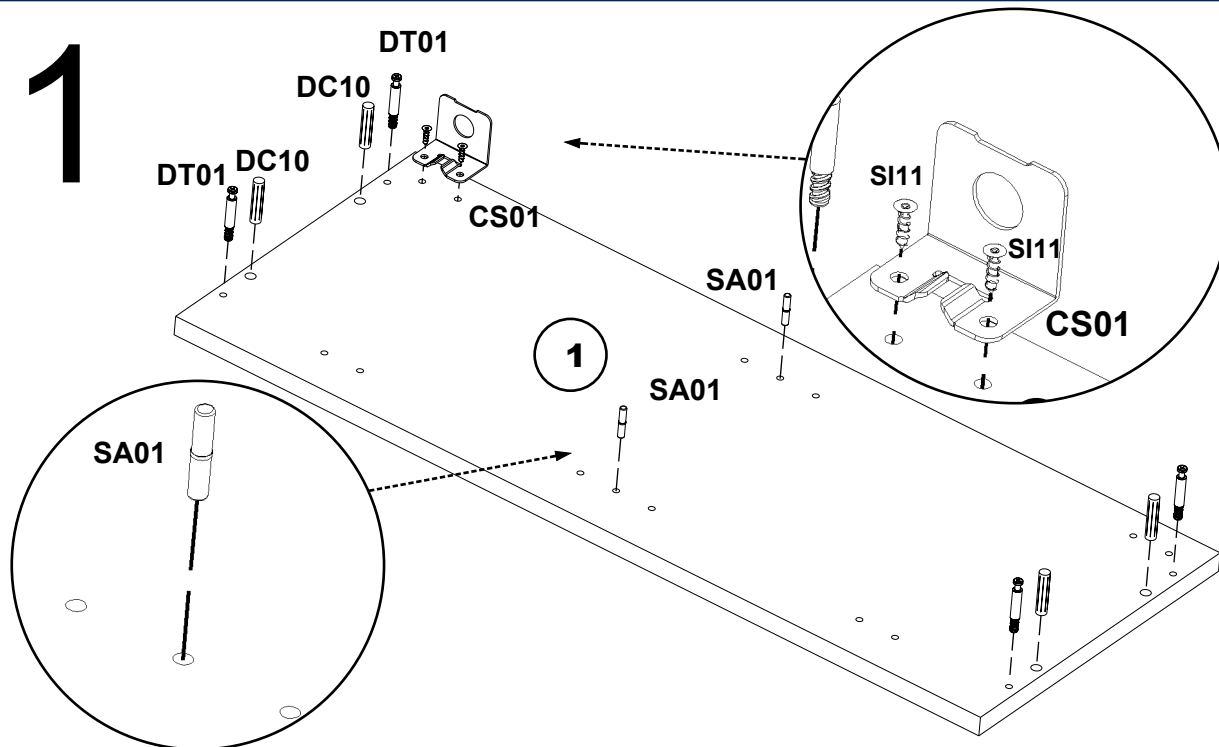


Nr	COD	BuC
1	0901	1
2	0902	2
3	0903	3
4	0904	2
5	0905	1
6	0906	2
7	0907	2
8	0908	2
9	0909	1

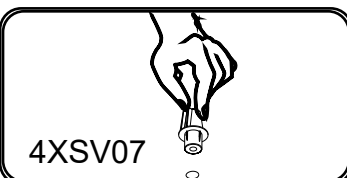
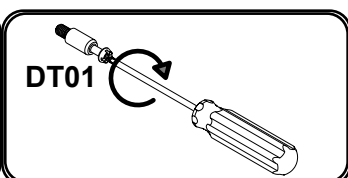
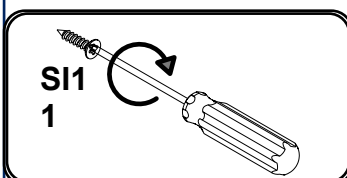
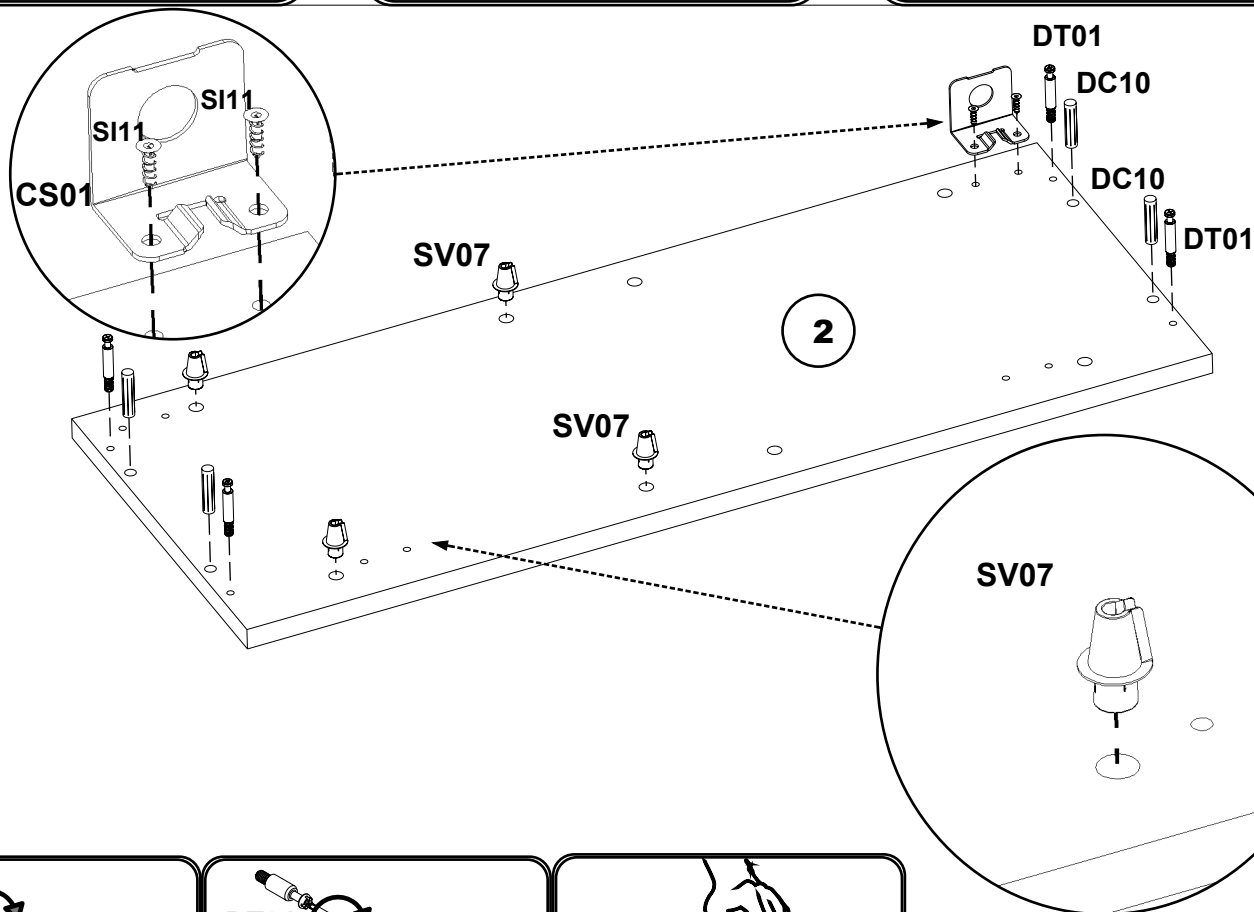
<p>DC01</p>  <p>x12</p>	<p>DT01</p>  <p>x12</p>	<p>CS01</p>  <p>X3</p>
<p>SI11</p>  <p>x30</p>	<p>SV07</p>  <p>x8</p>	<p>SA01</p>  <p>x4</p>
<p>CT01</p>  <p>≈ 60</p>	<p>DC10</p>  <p>x8</p>	<p>HH04</p>  <p>x1</p>
<p>BL03</p>  <p>x2</p>	<p>BL01</p>  <p>x4</p>	<p>PH01</p>  <p>x2</p>
<p>SV05</p>  <p>x1</p>	<p>SV04</p>  <p>x1</p>	<p>SV06</p>  <p>x1</p>

1

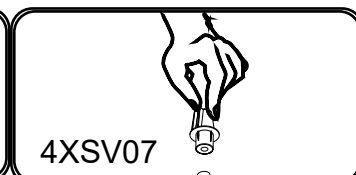
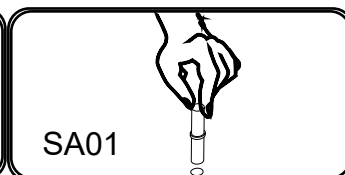
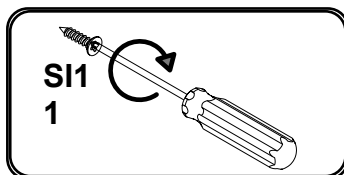
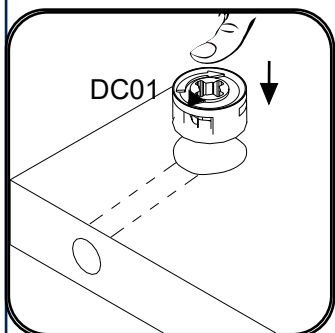
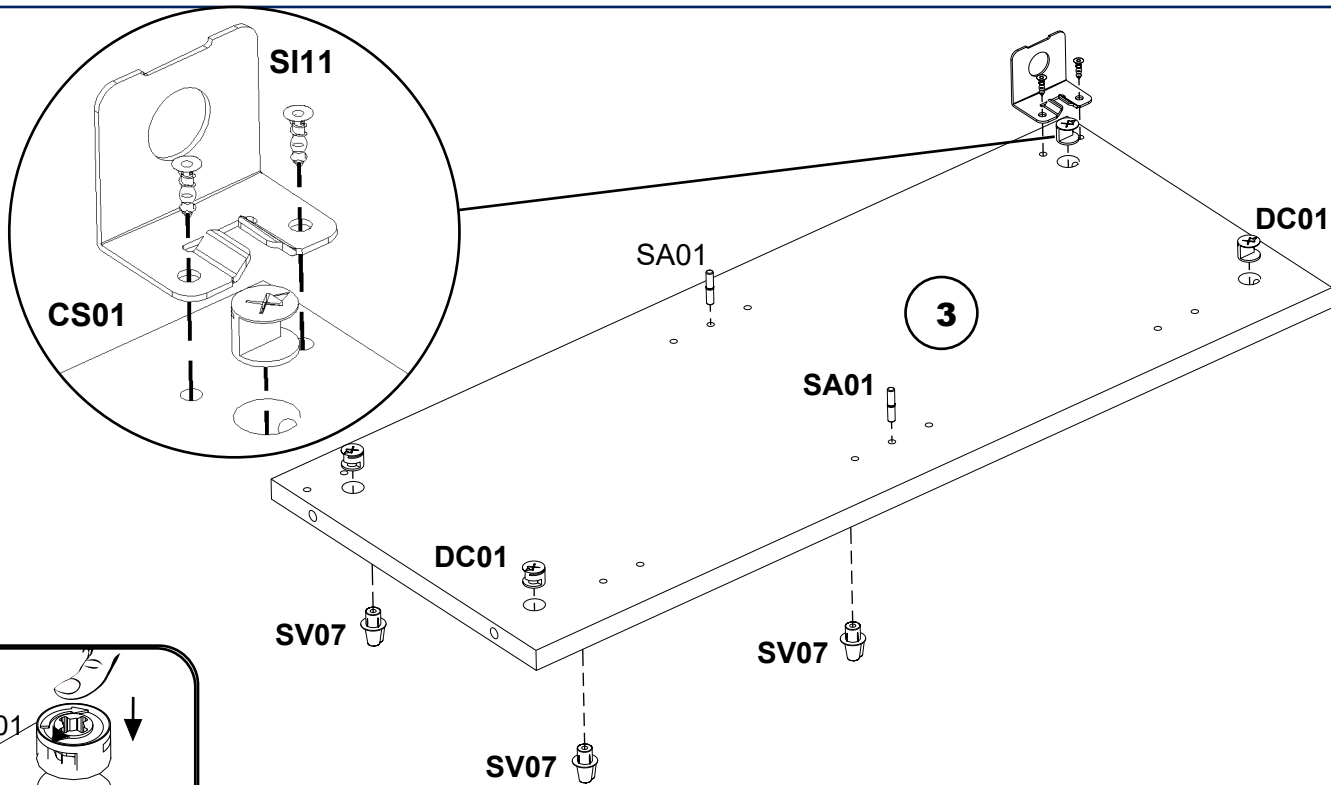
A



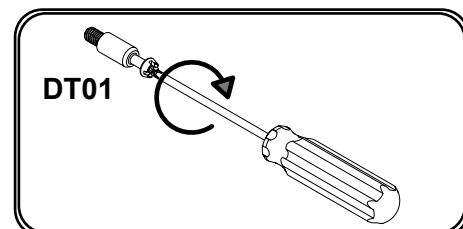
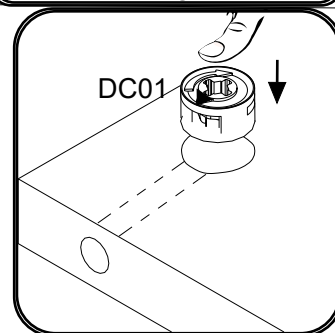
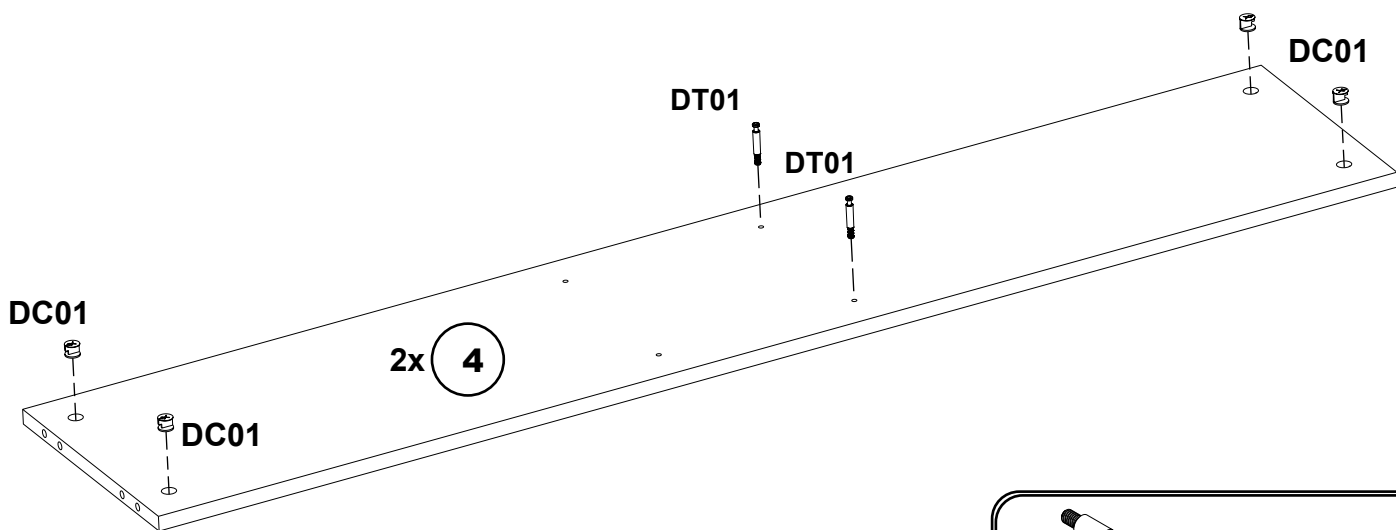
2



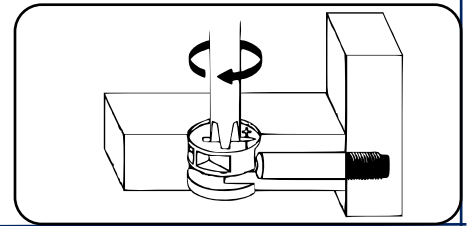
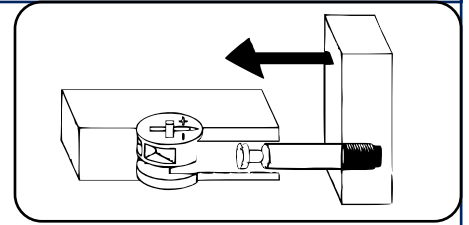
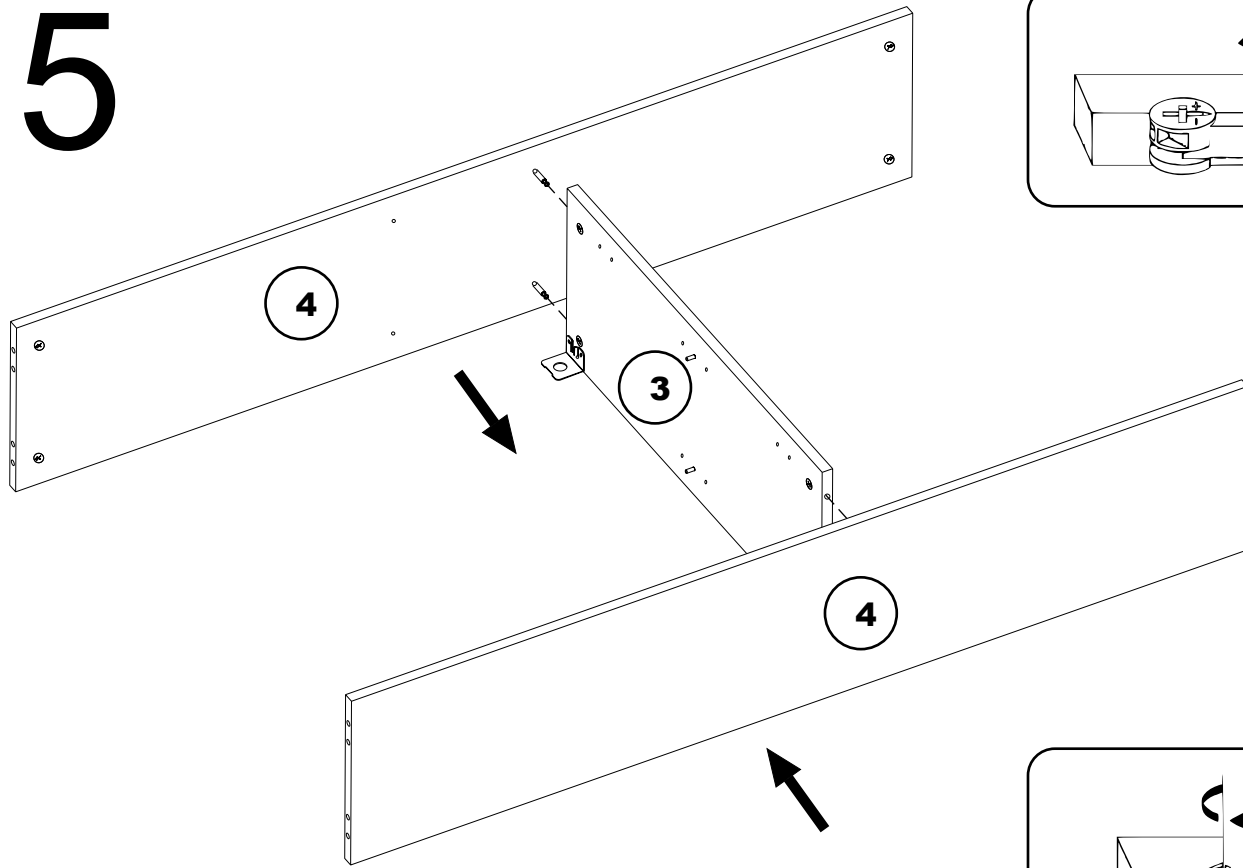
3



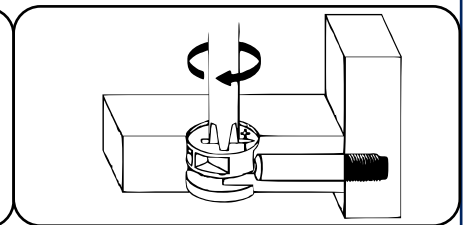
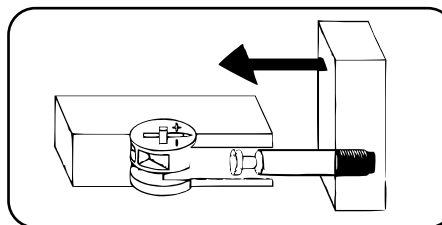
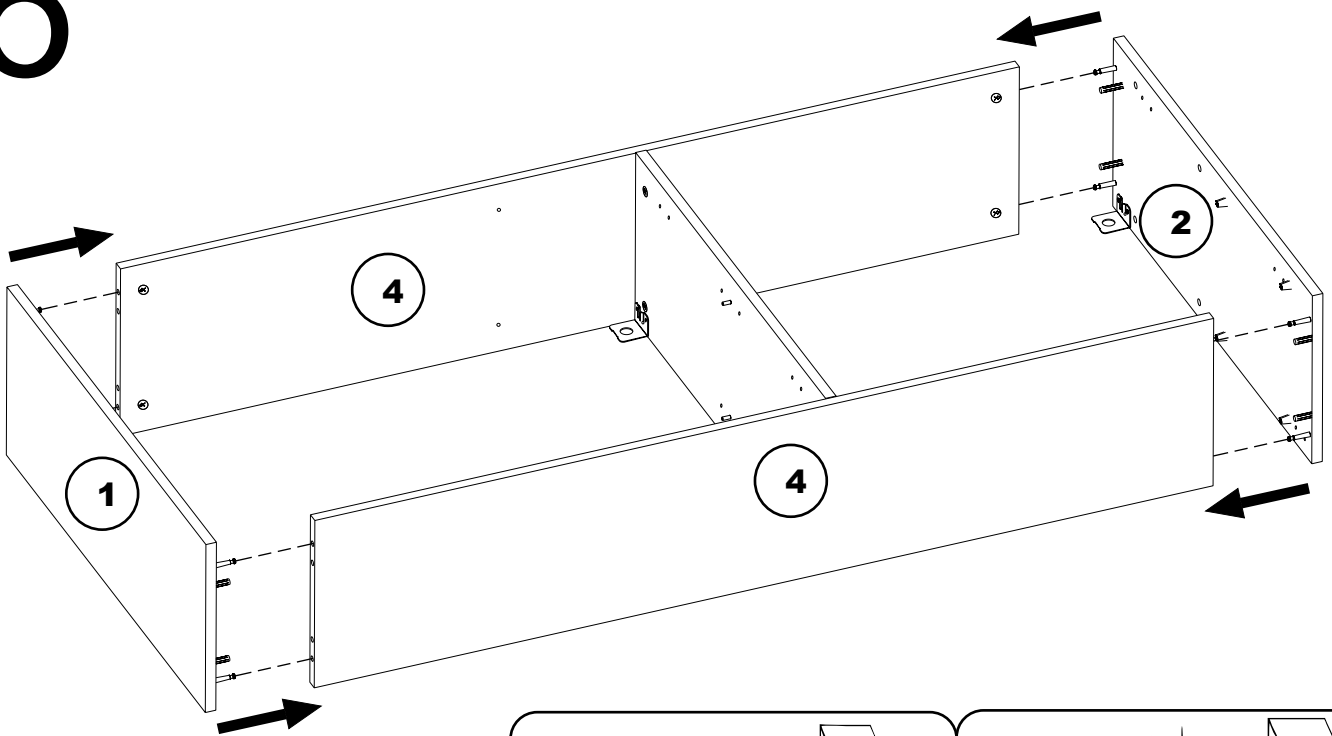
4



5

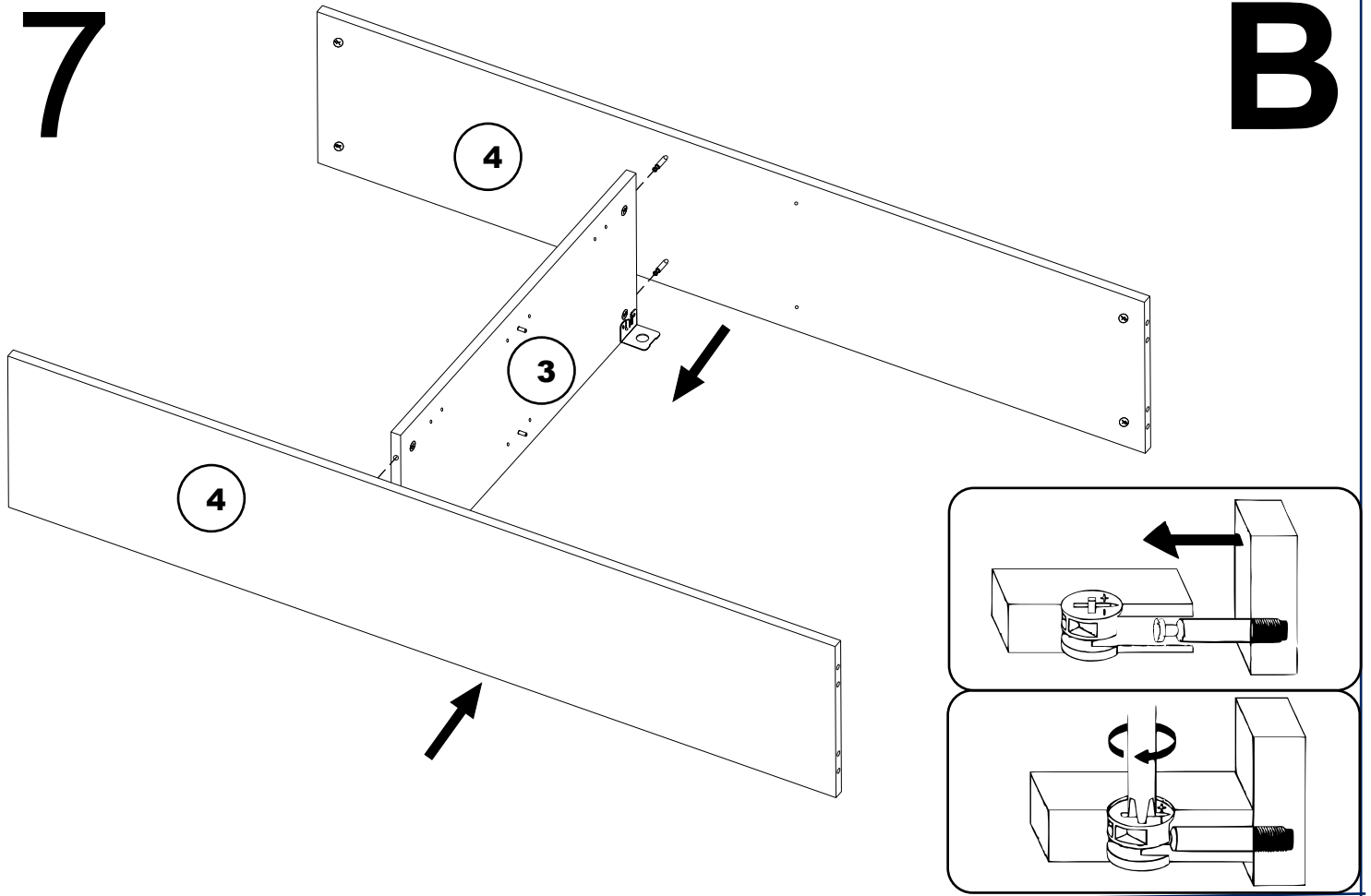


6



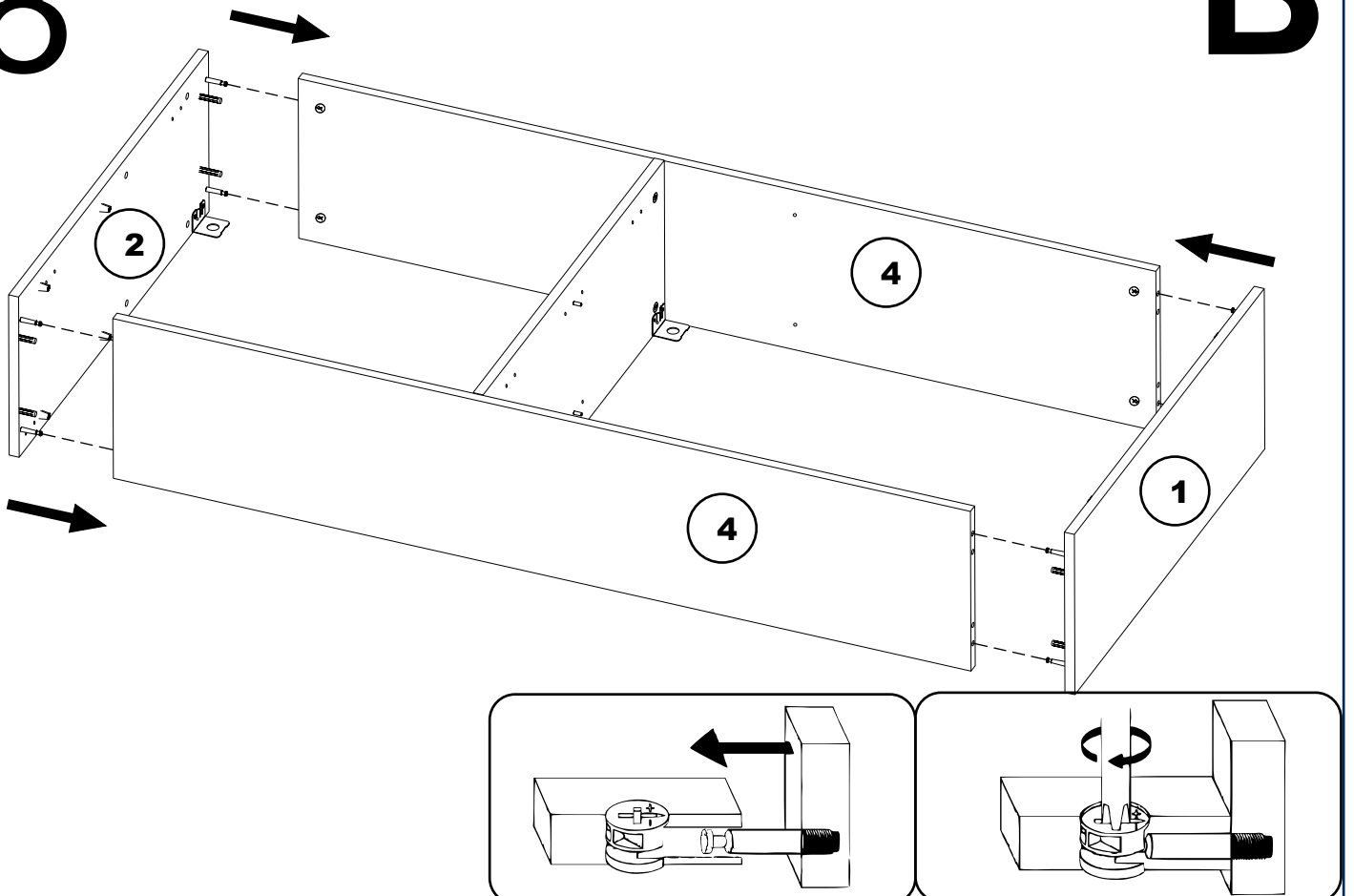
7

B

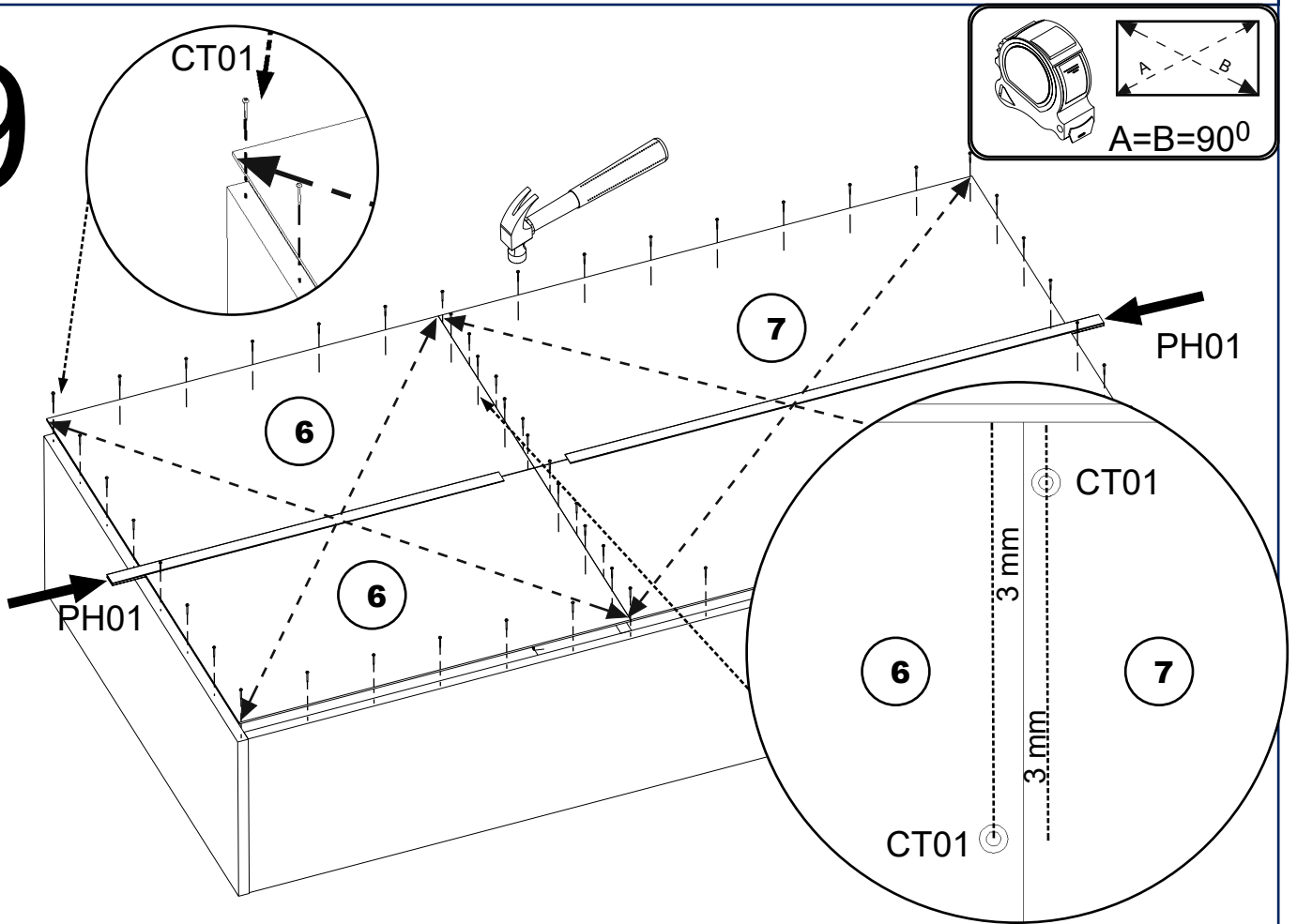


8

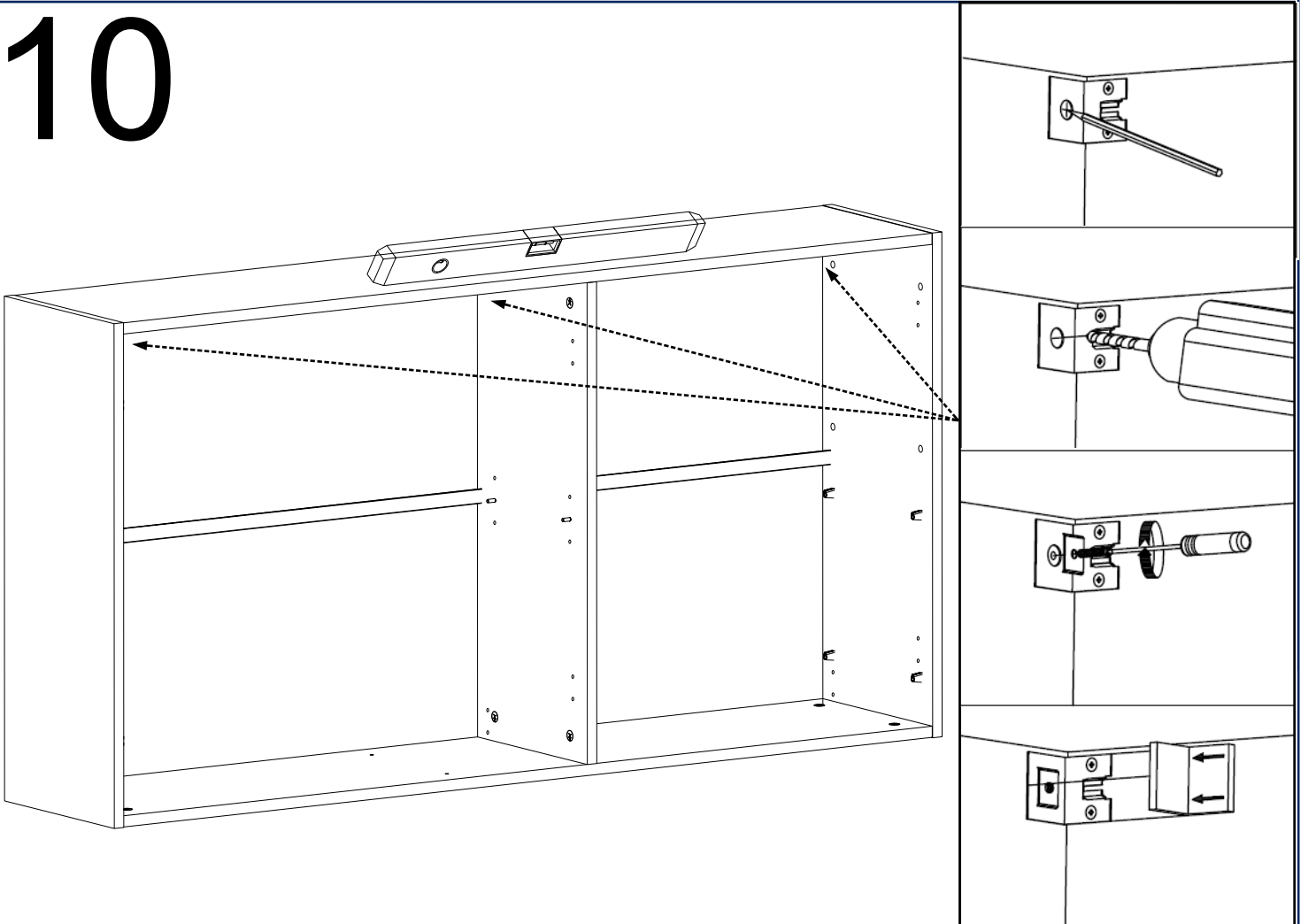
B



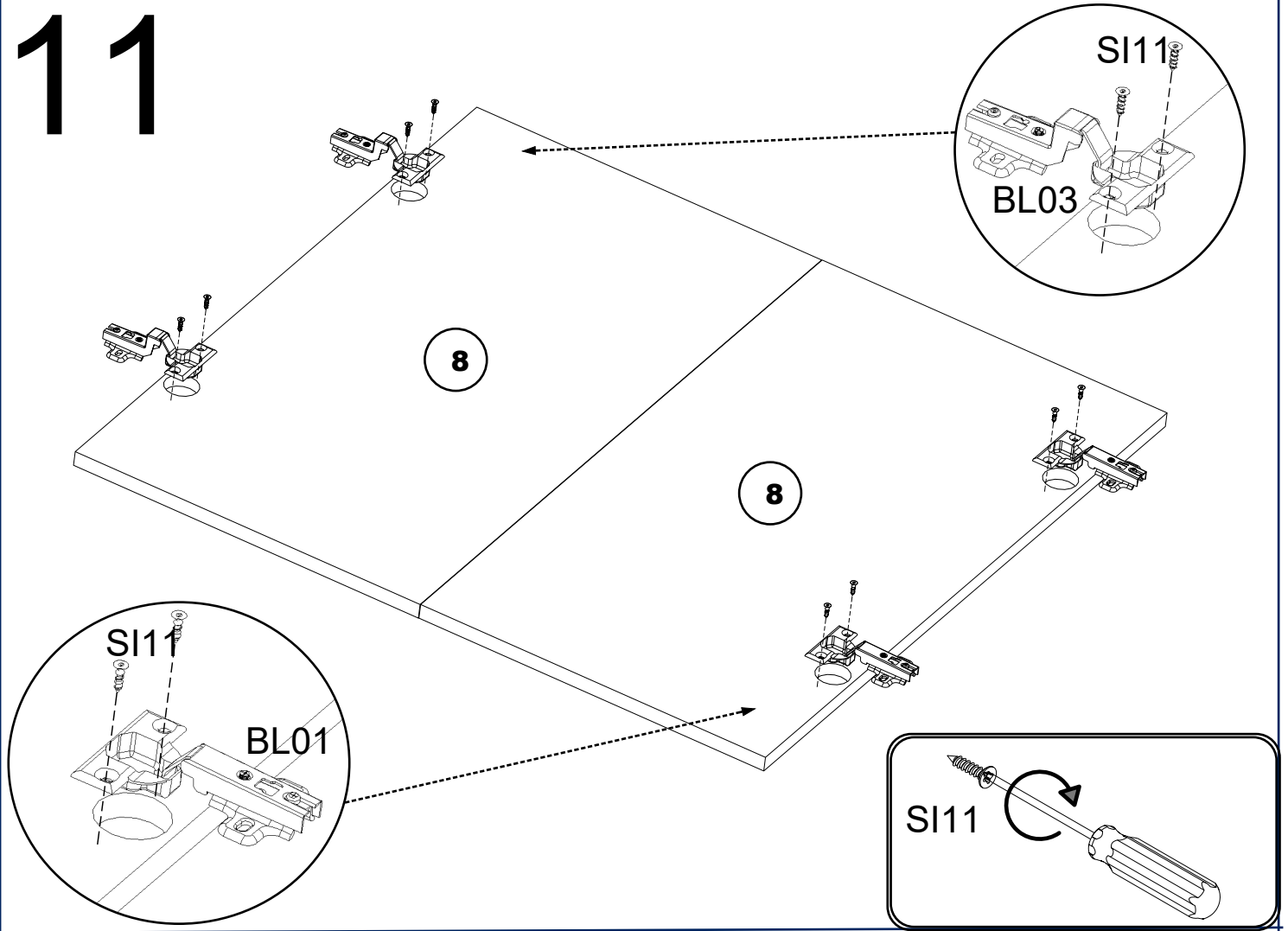
9



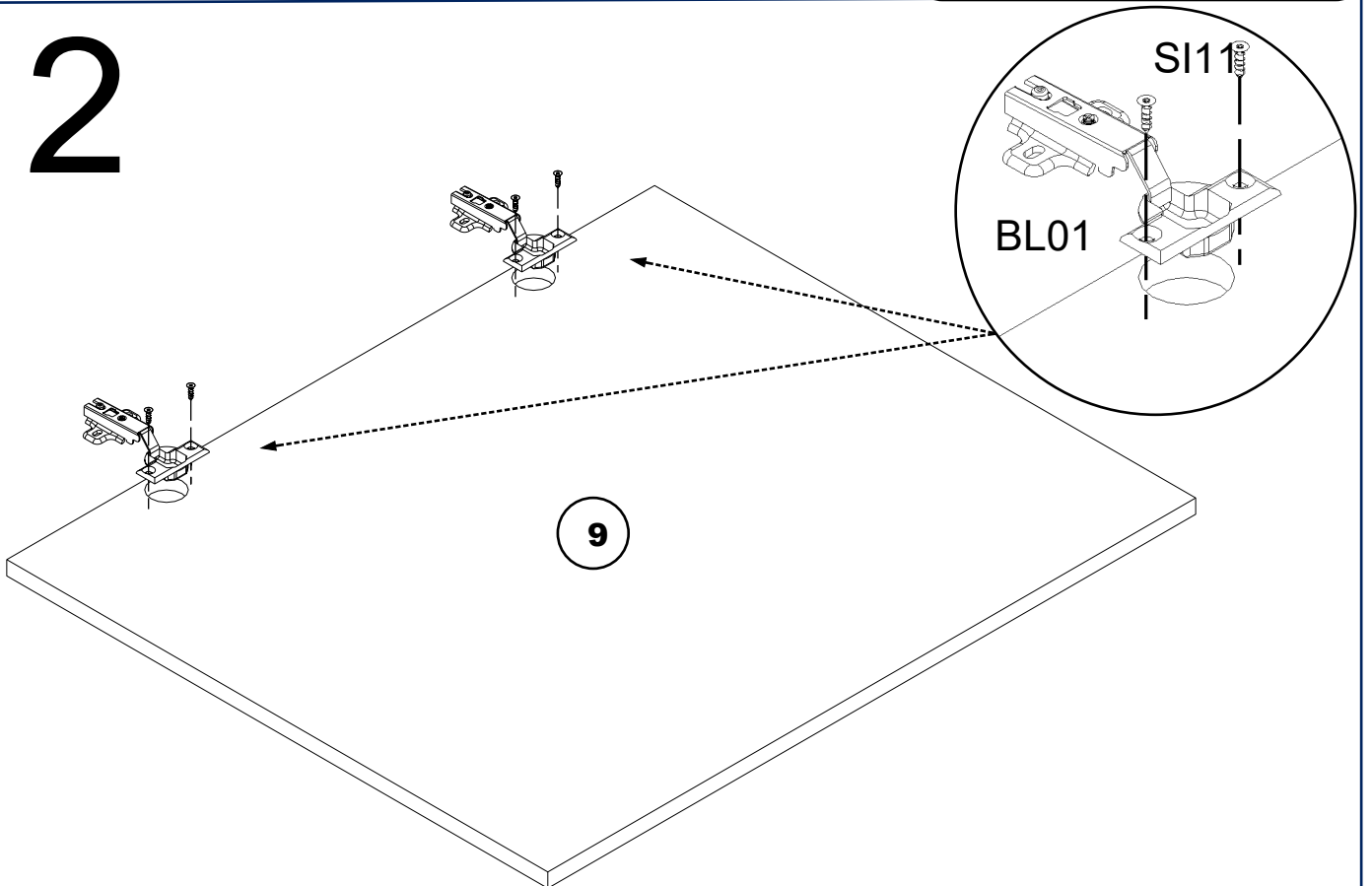
10



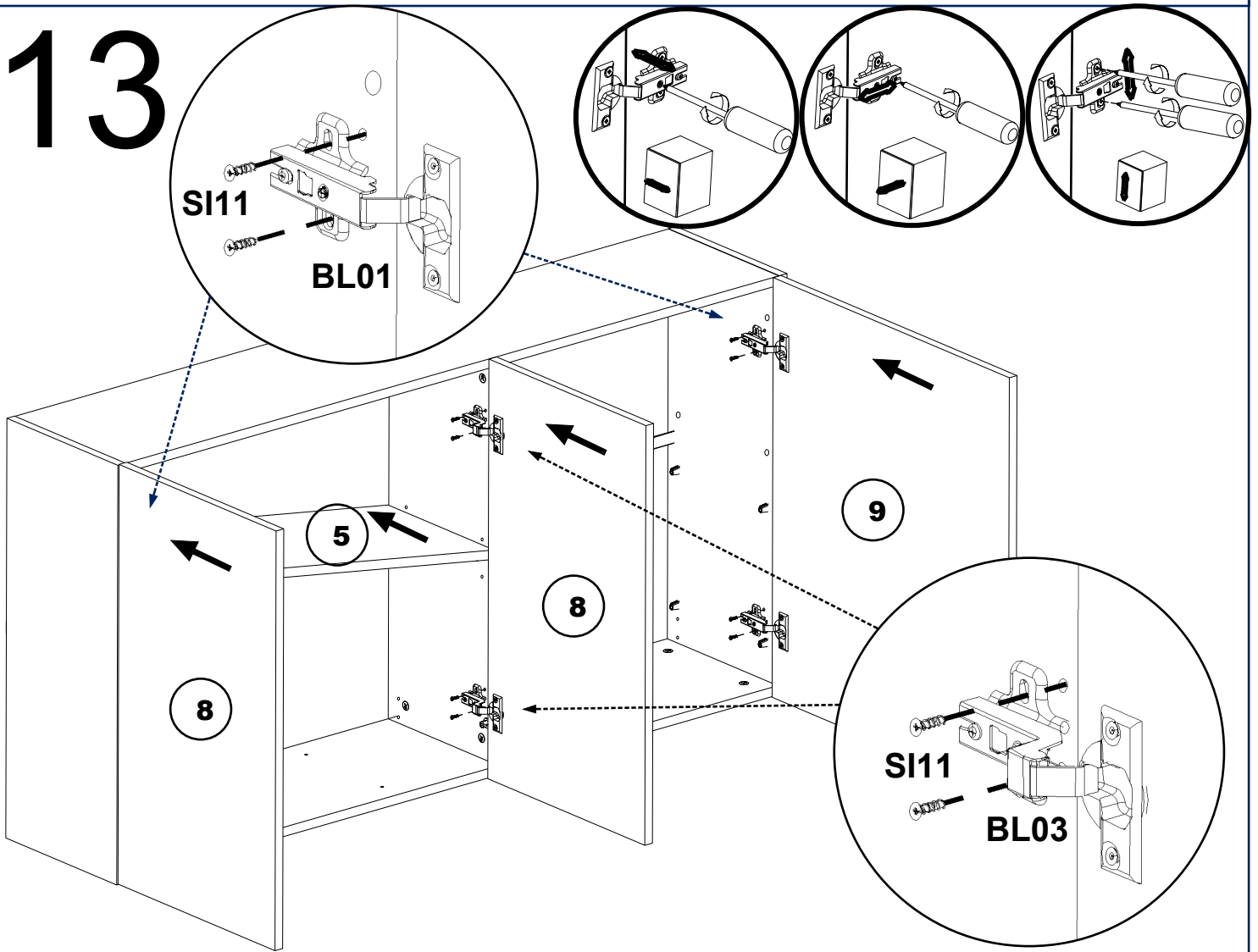
11



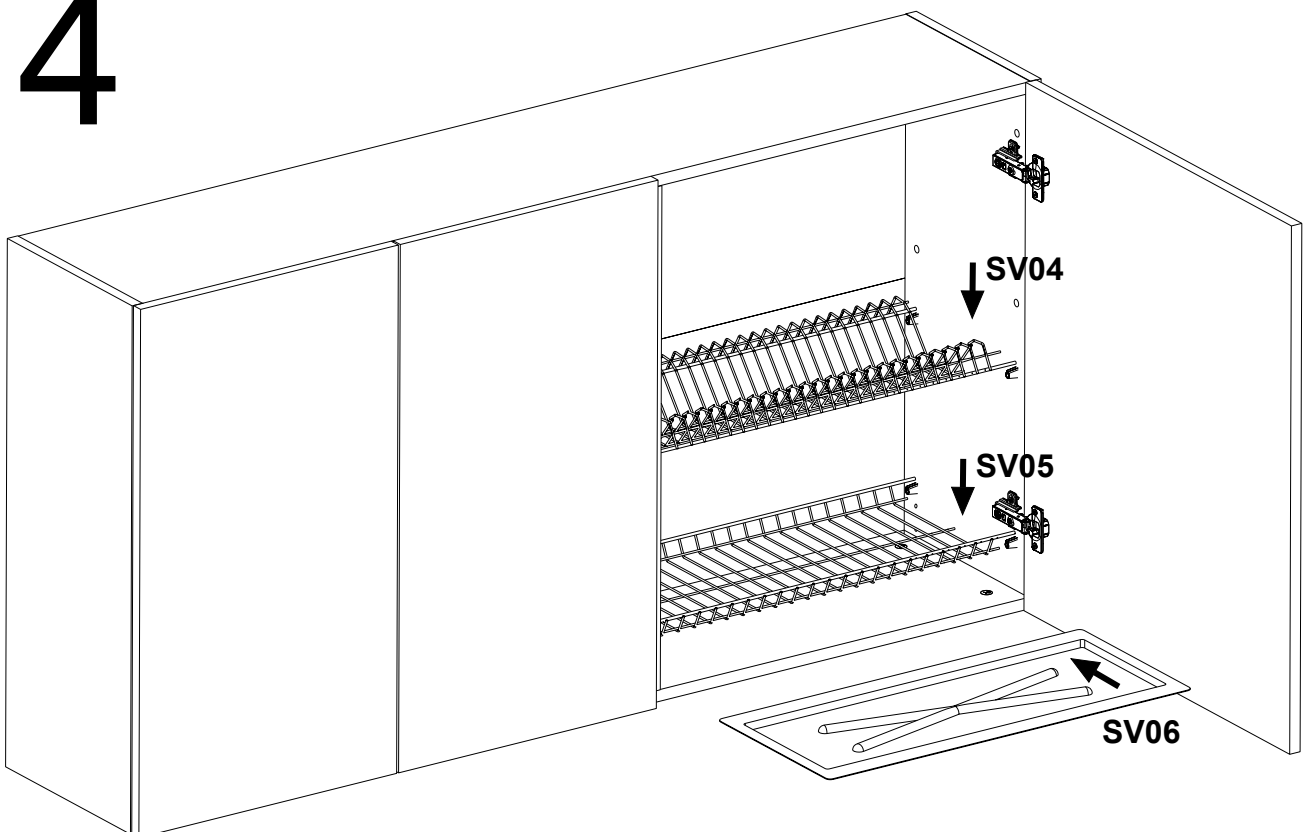
12



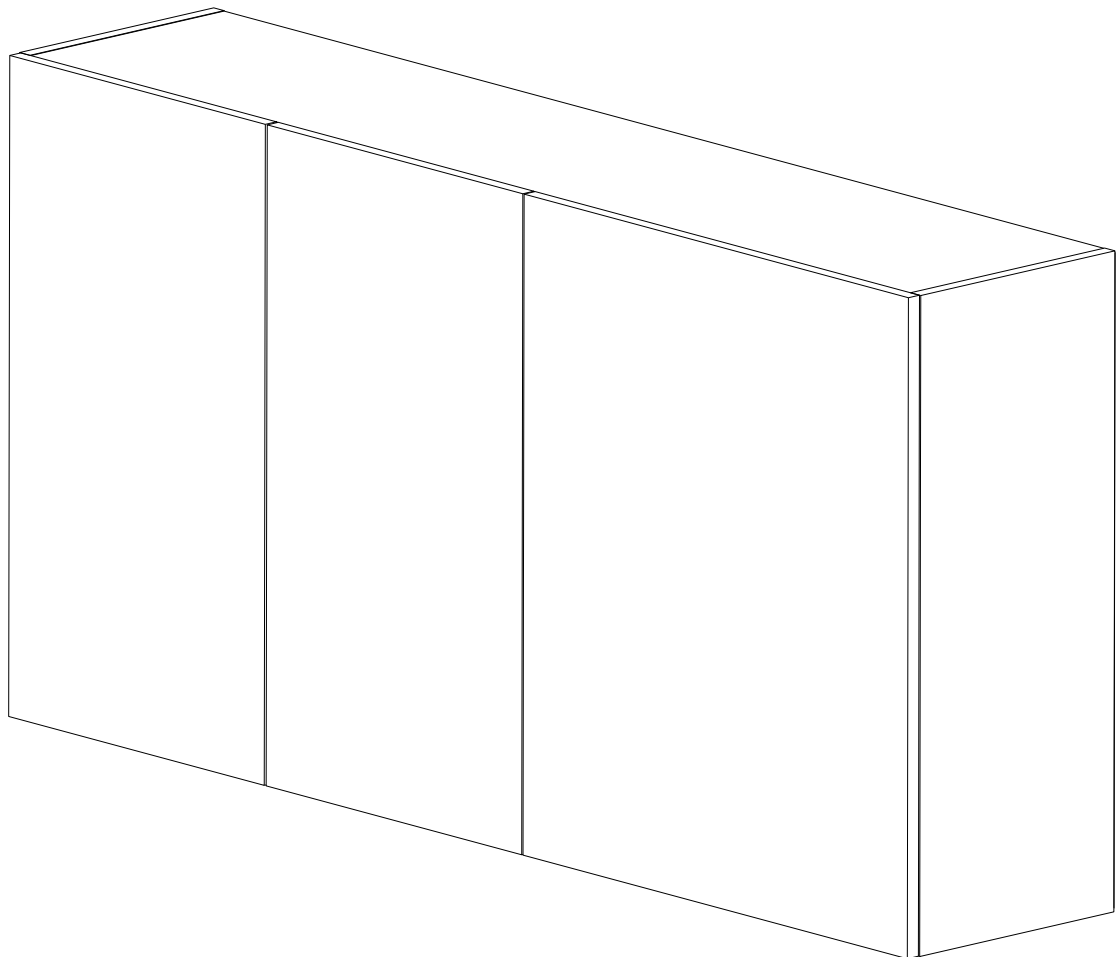
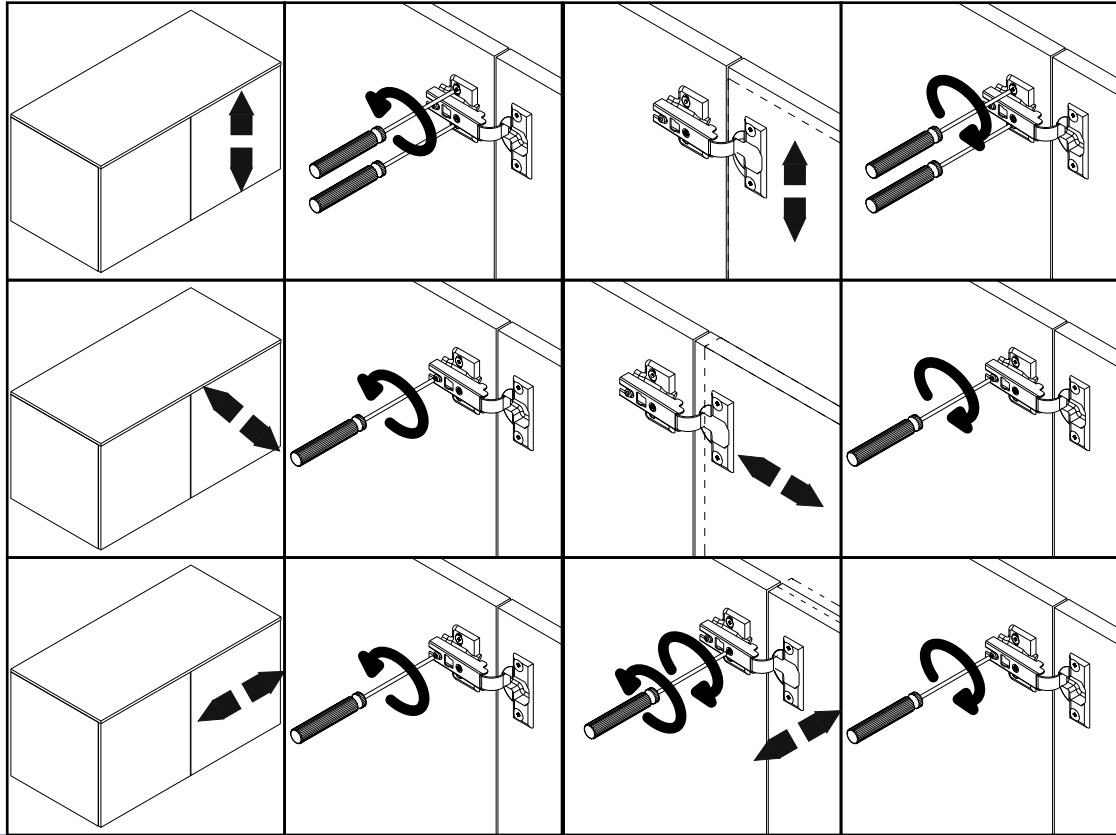
13



14



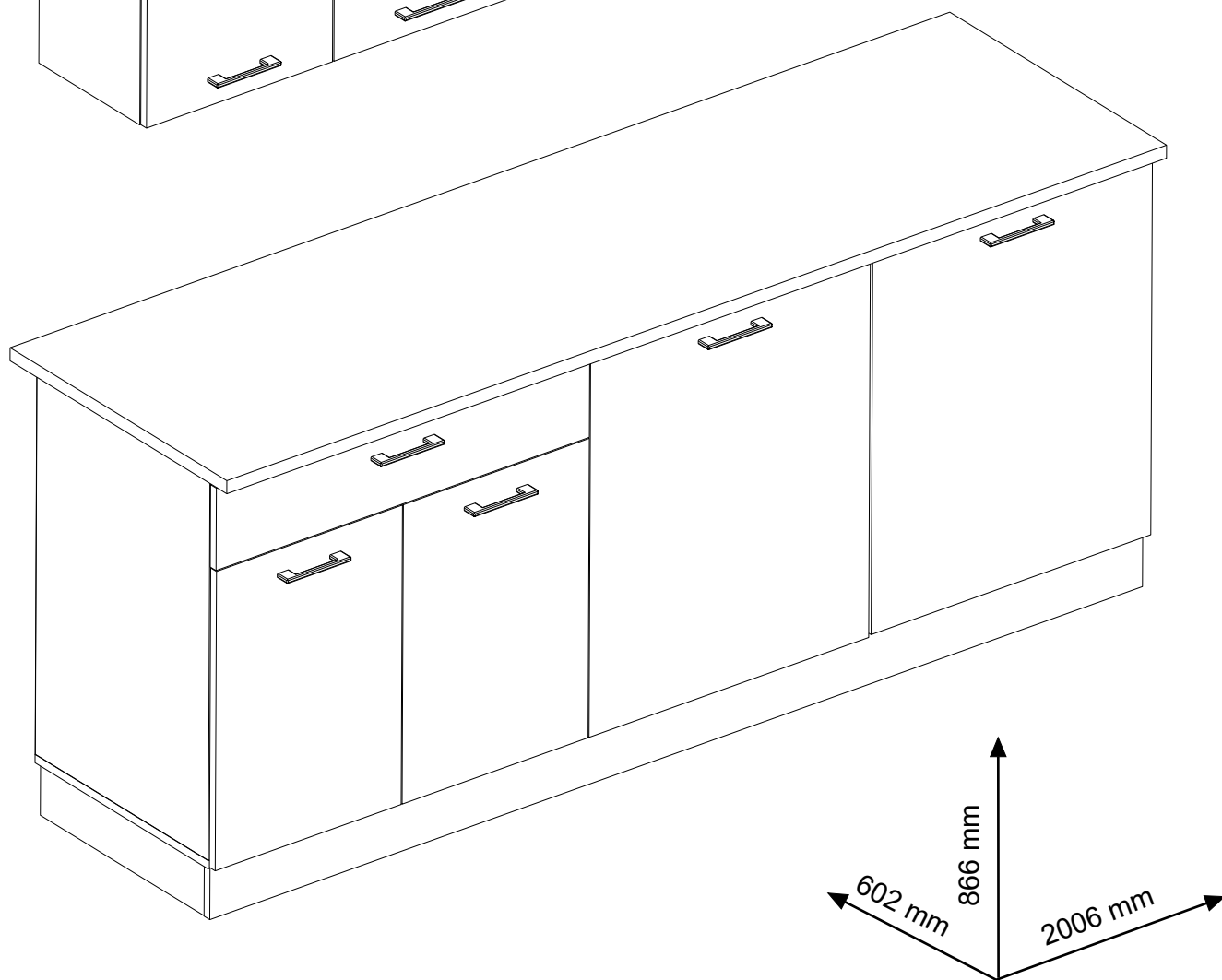
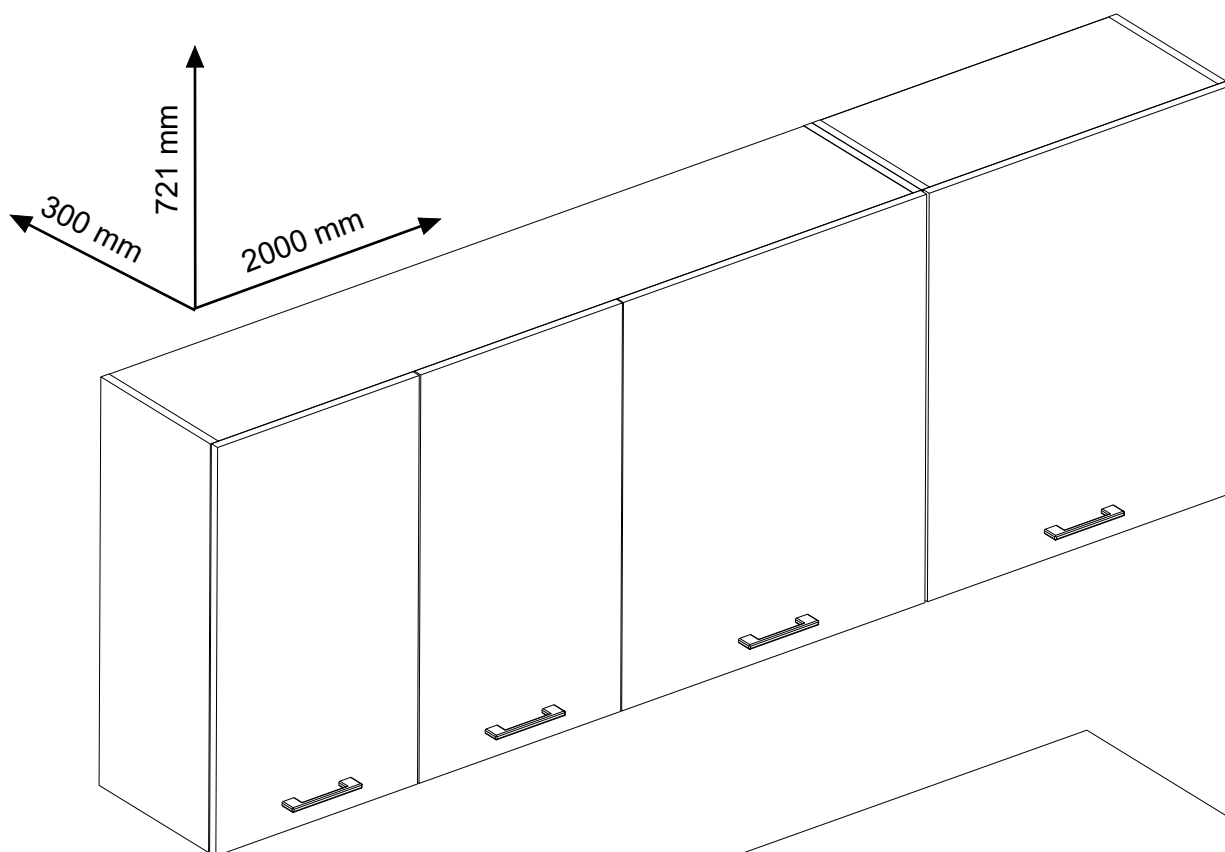
15

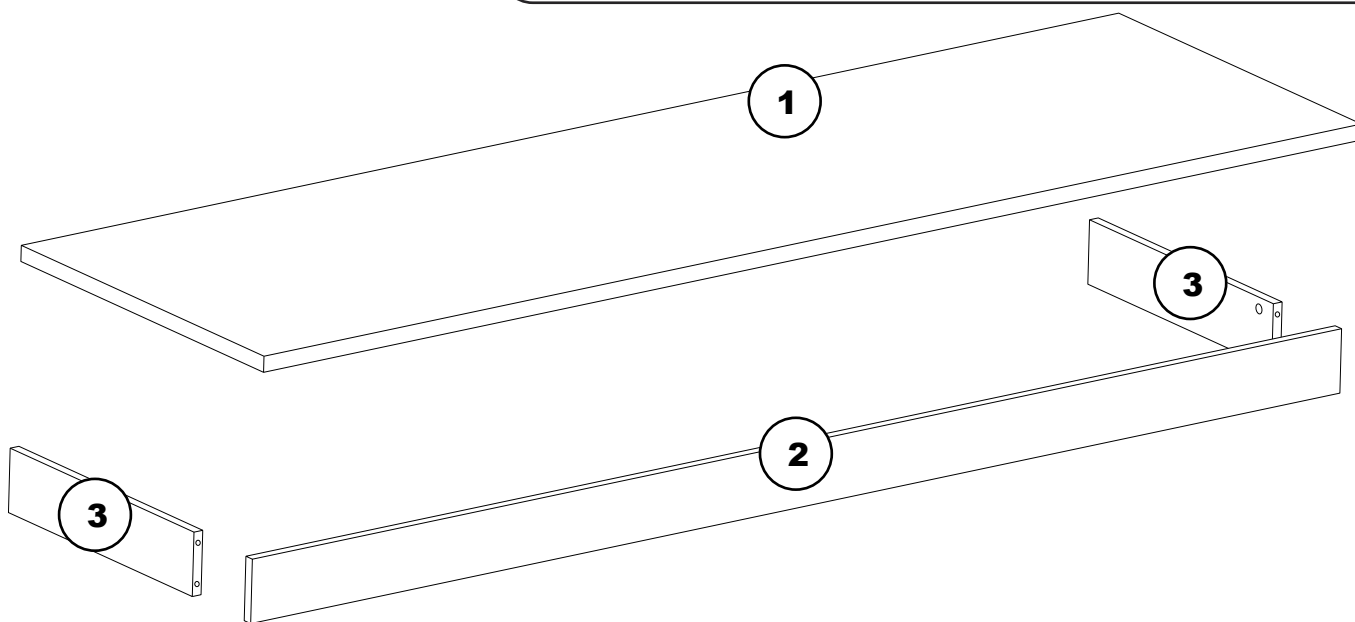
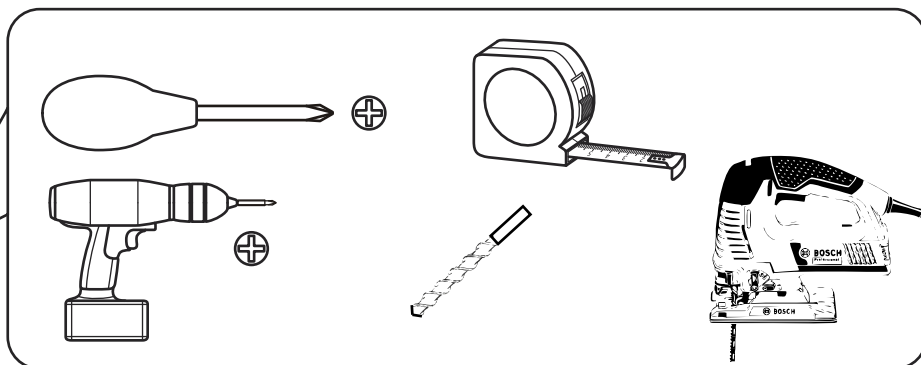


A

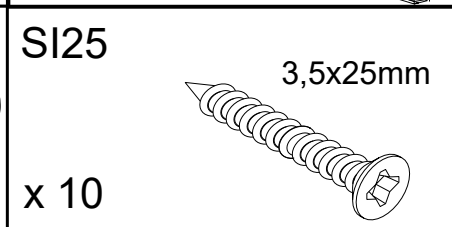
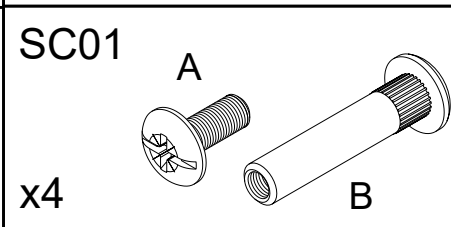
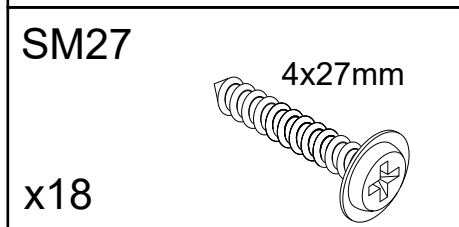
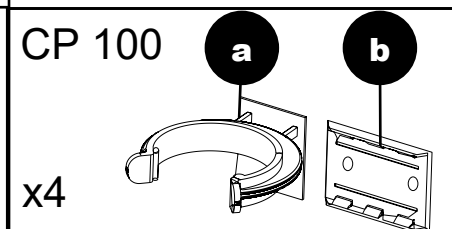
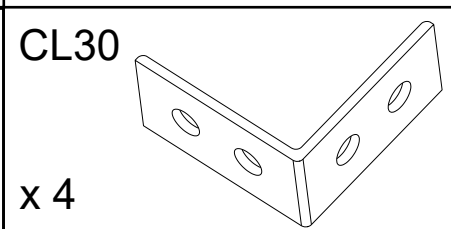
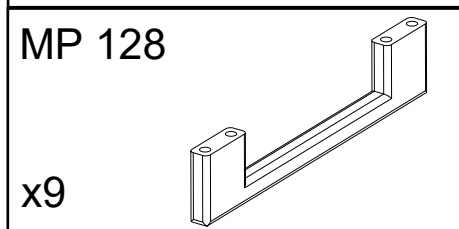
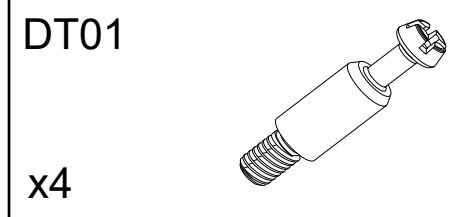
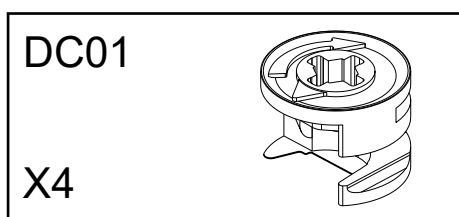
Bucataria CLIO

ASAMBLARE

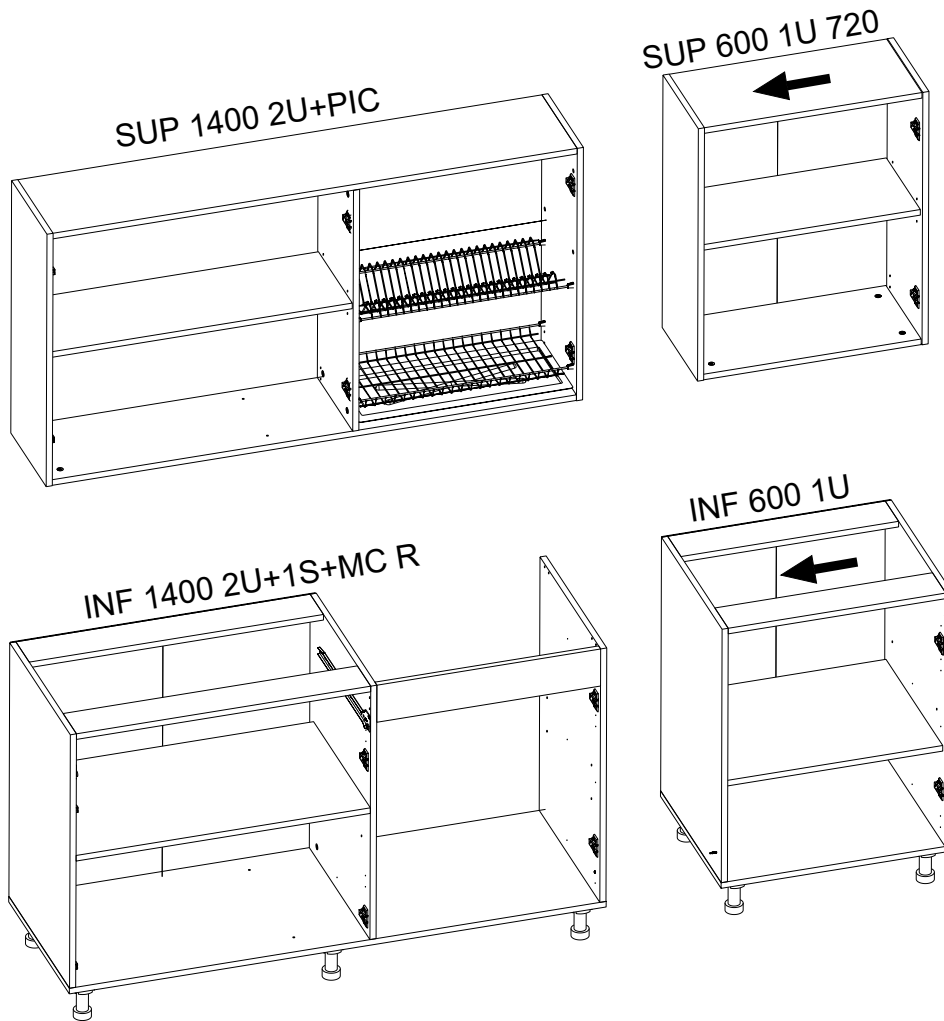




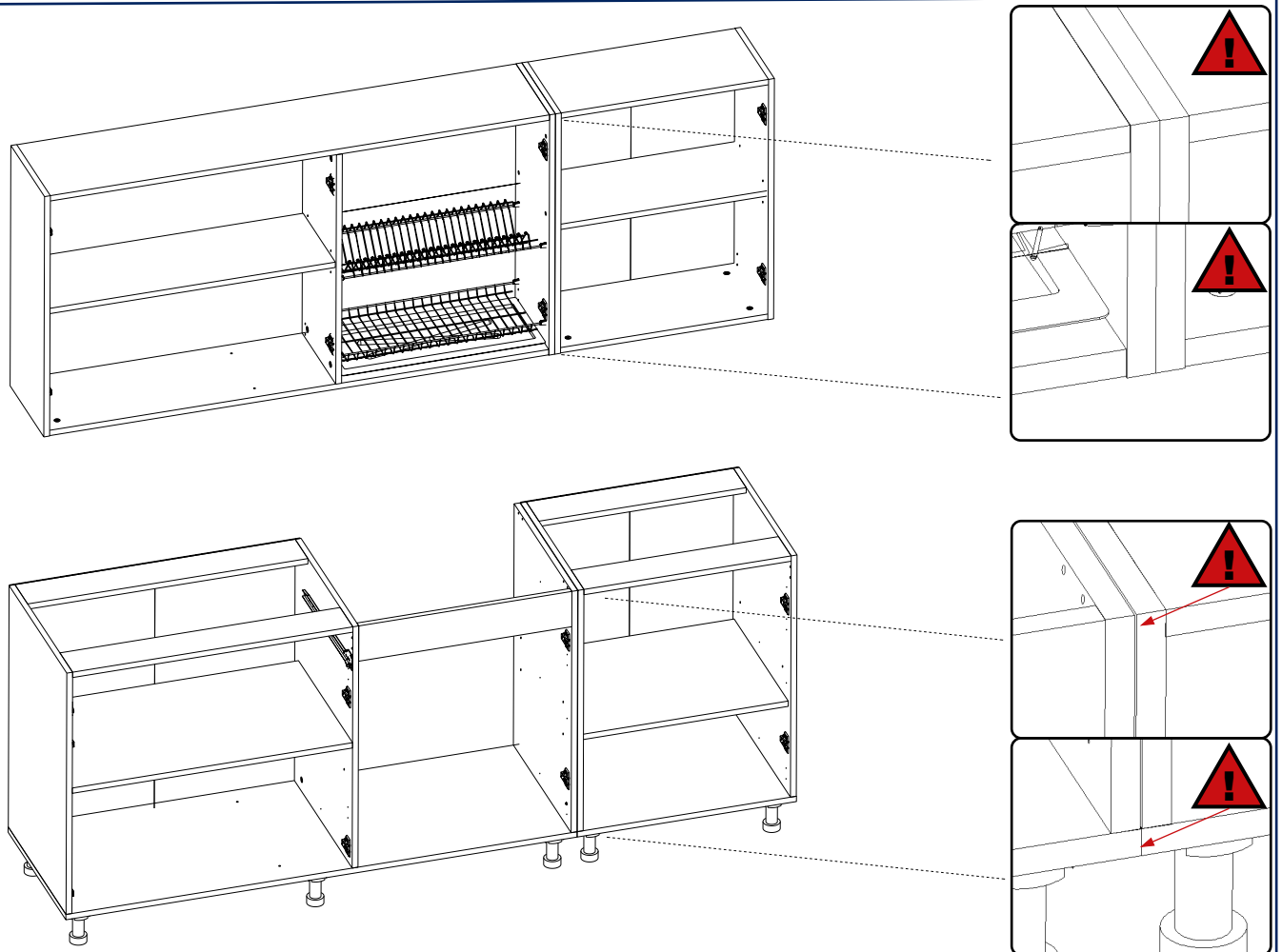
Nr	Cod	Buc
1	1601	1
2	1501	1
3	1502	2



1



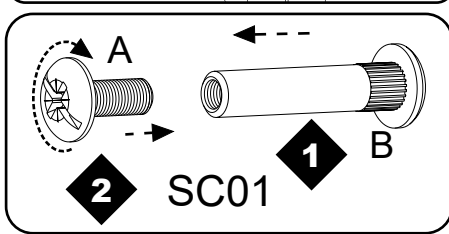
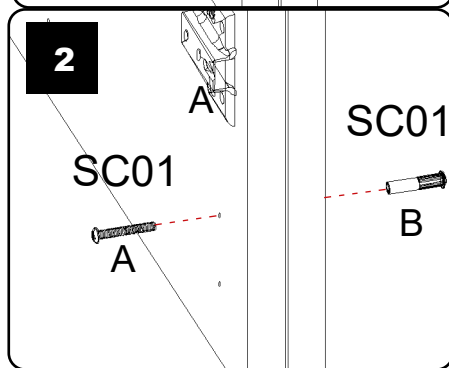
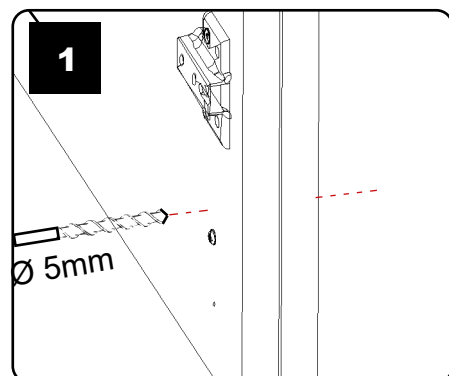
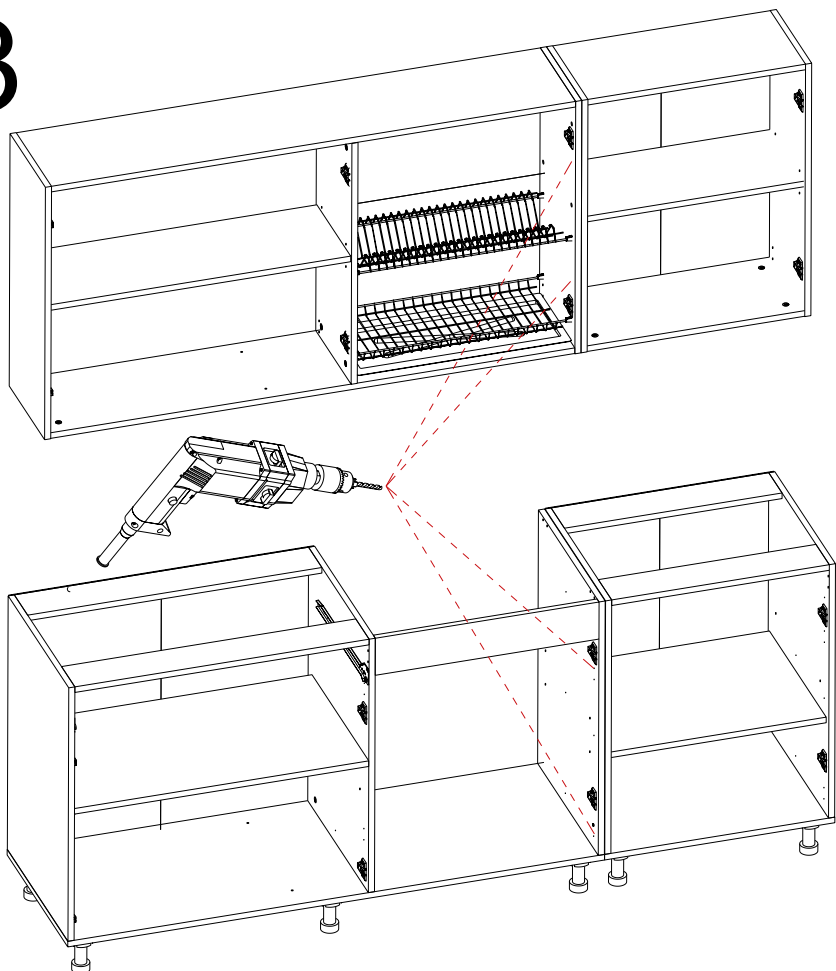
2



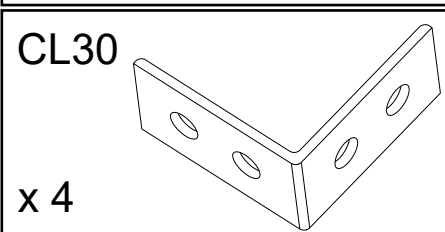
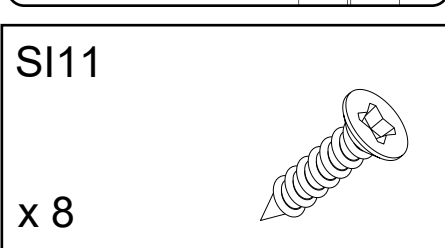
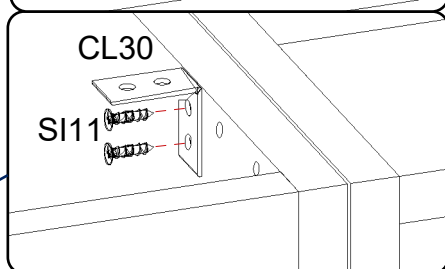
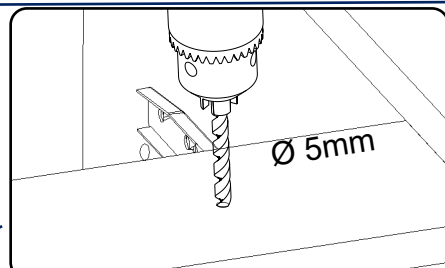
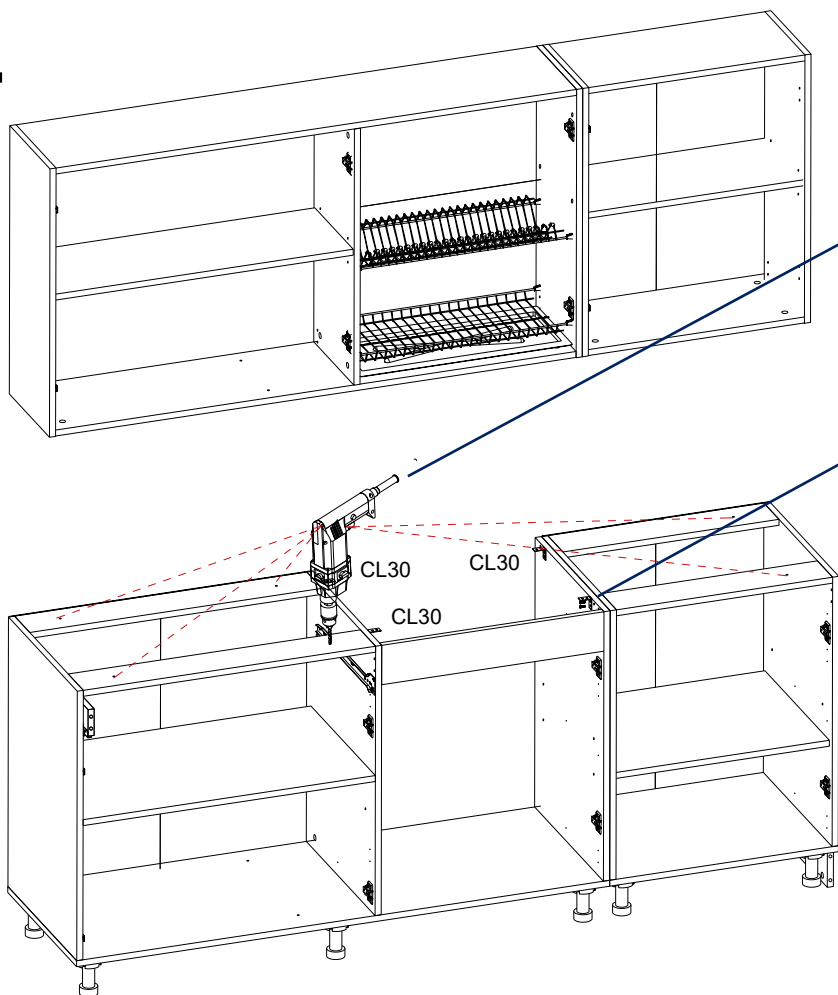
Bucataria CLIO

ASAMBLARE

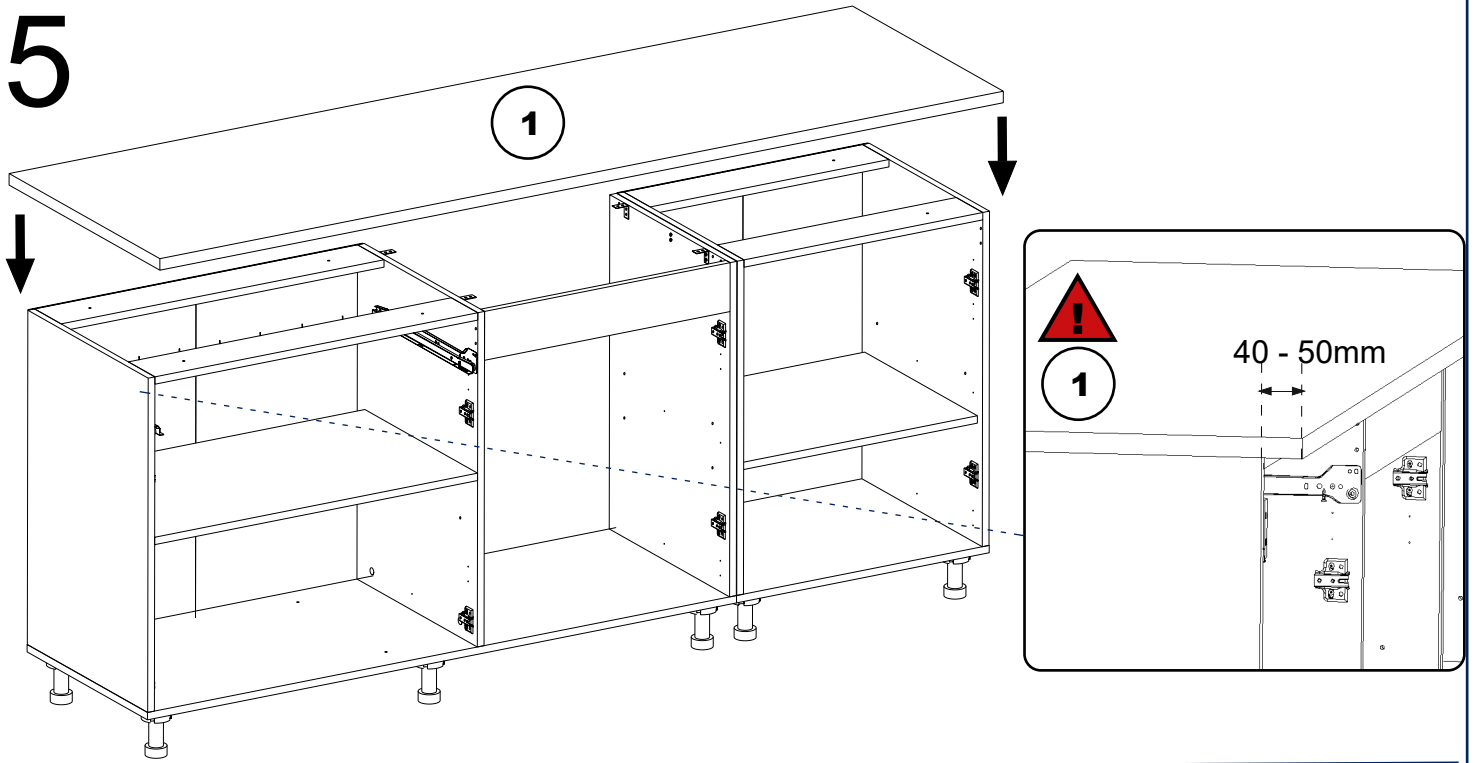
3



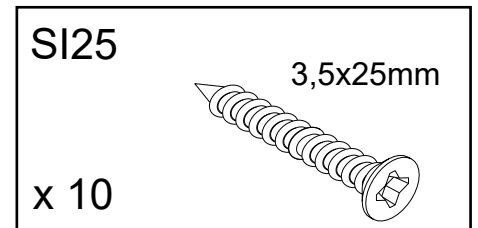
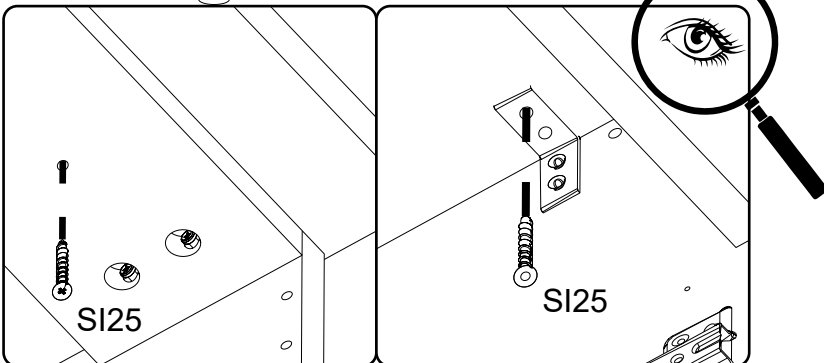
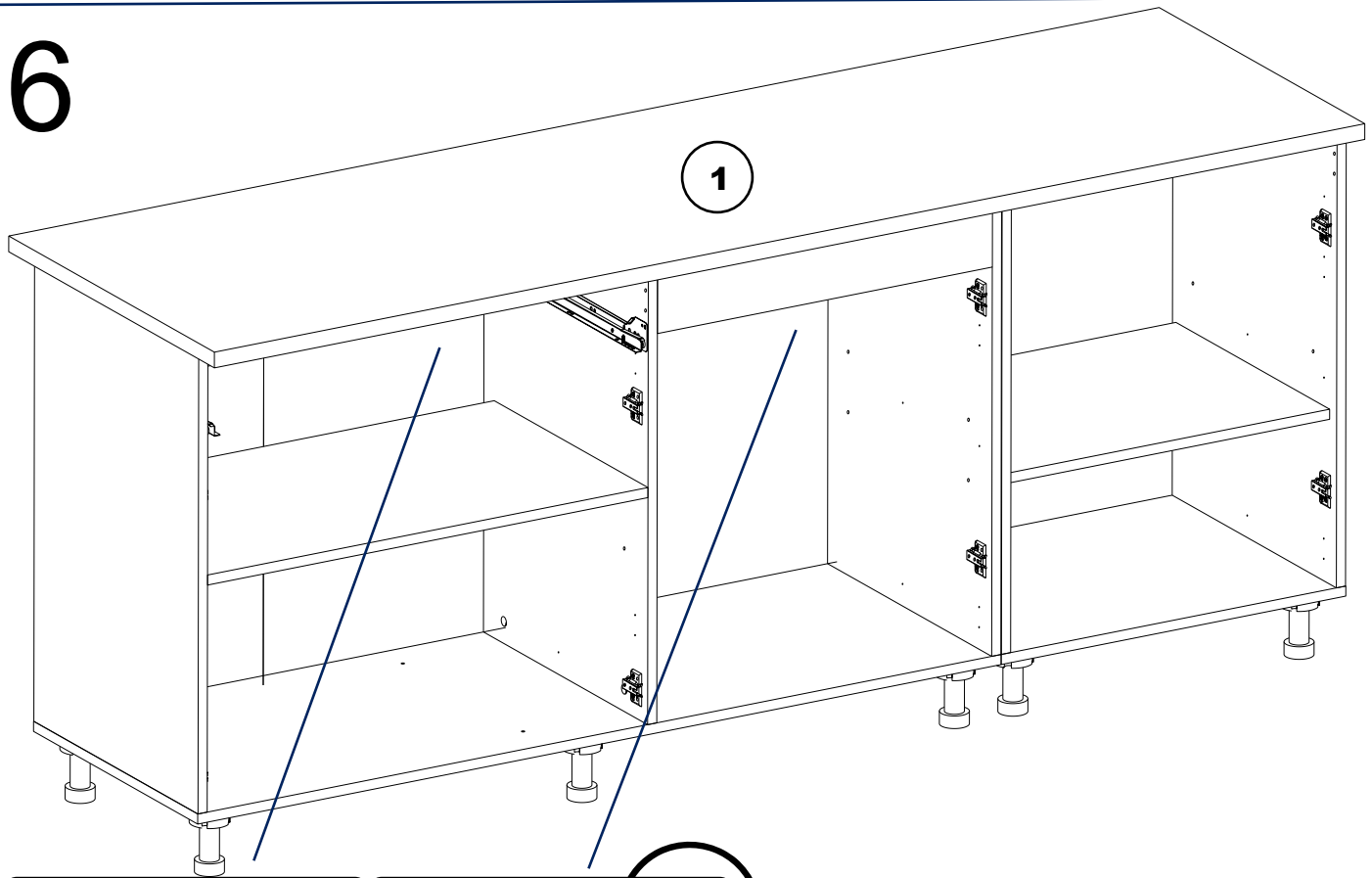
4



5



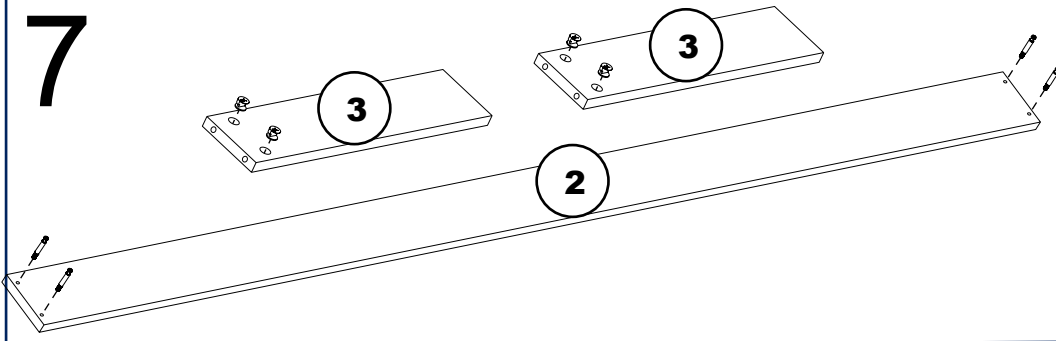
6



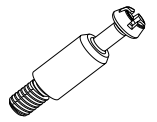
Bucataria CLIO

ASAMBLARE

7

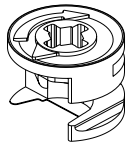


DT01



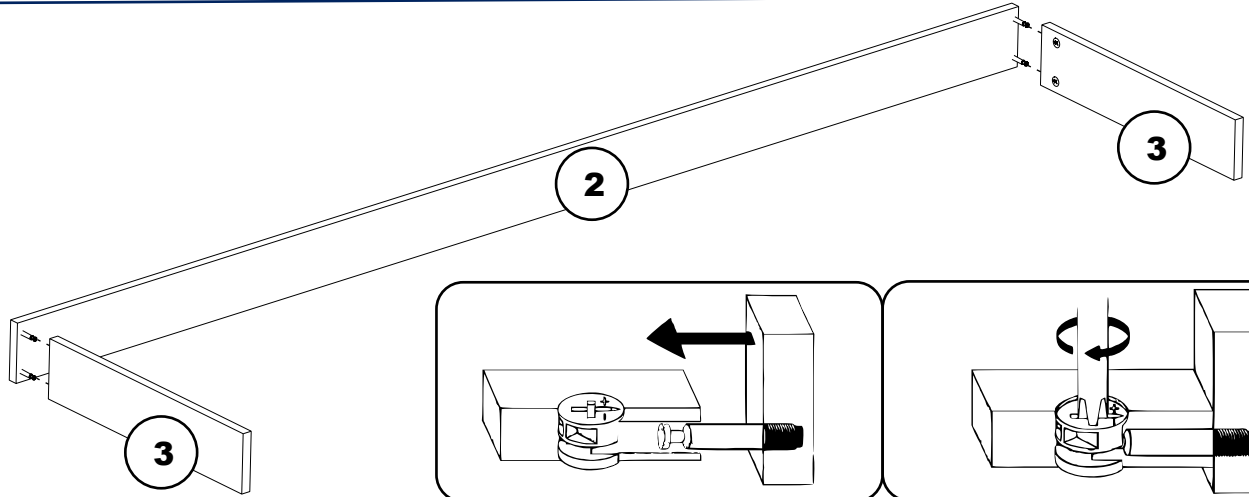
X4

DC01

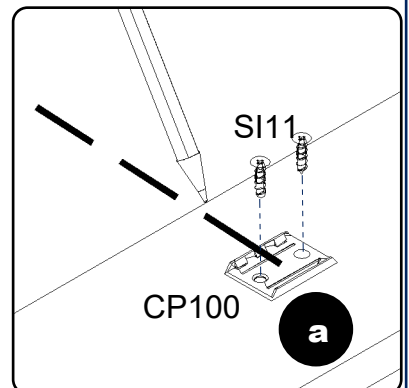
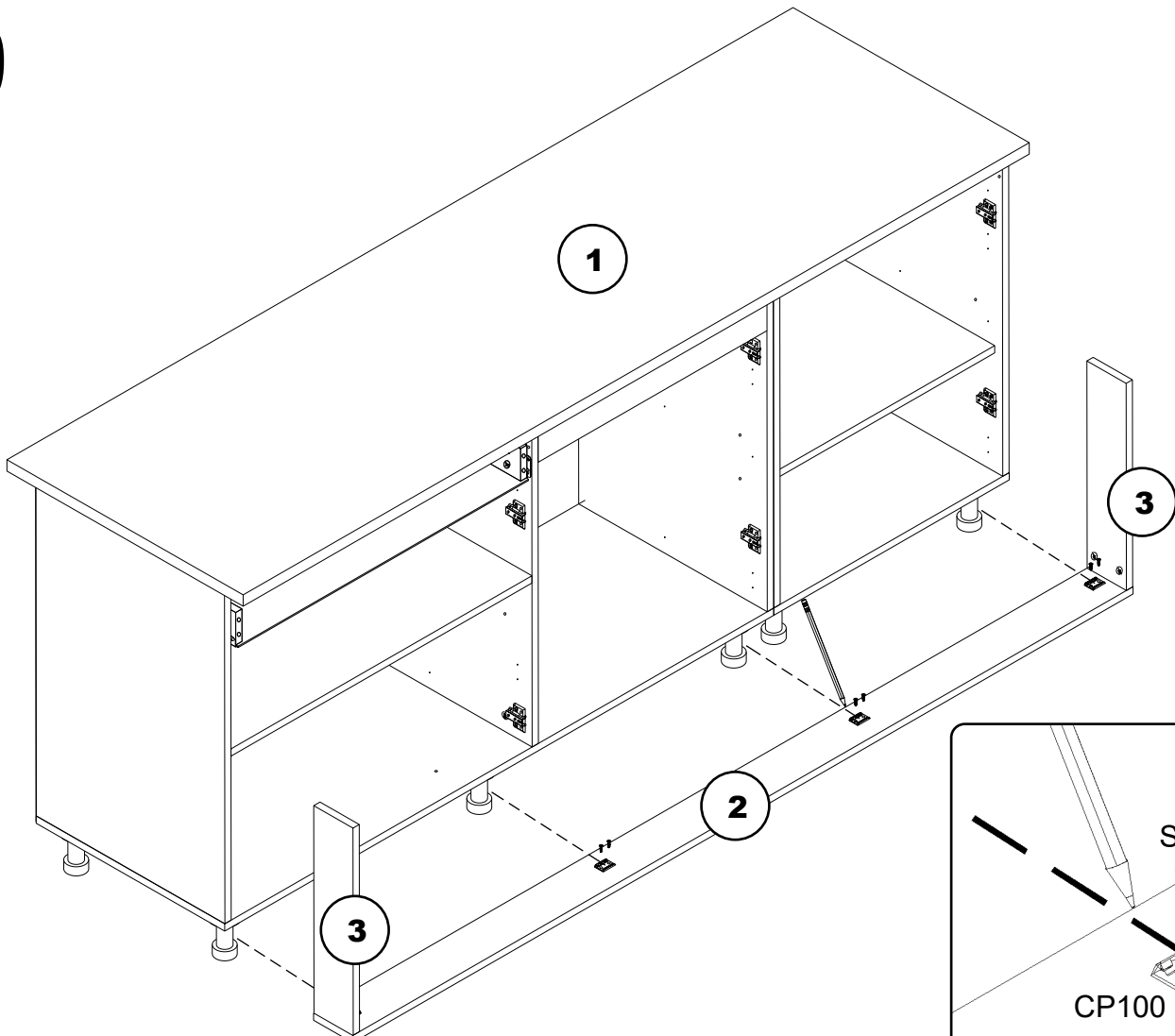


X4

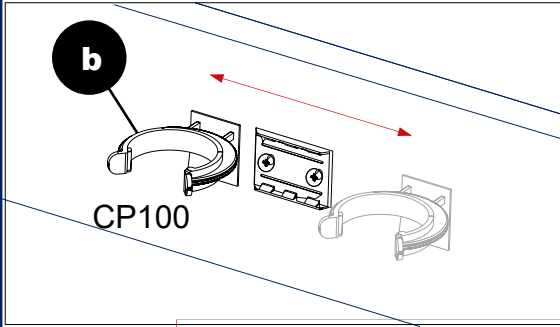
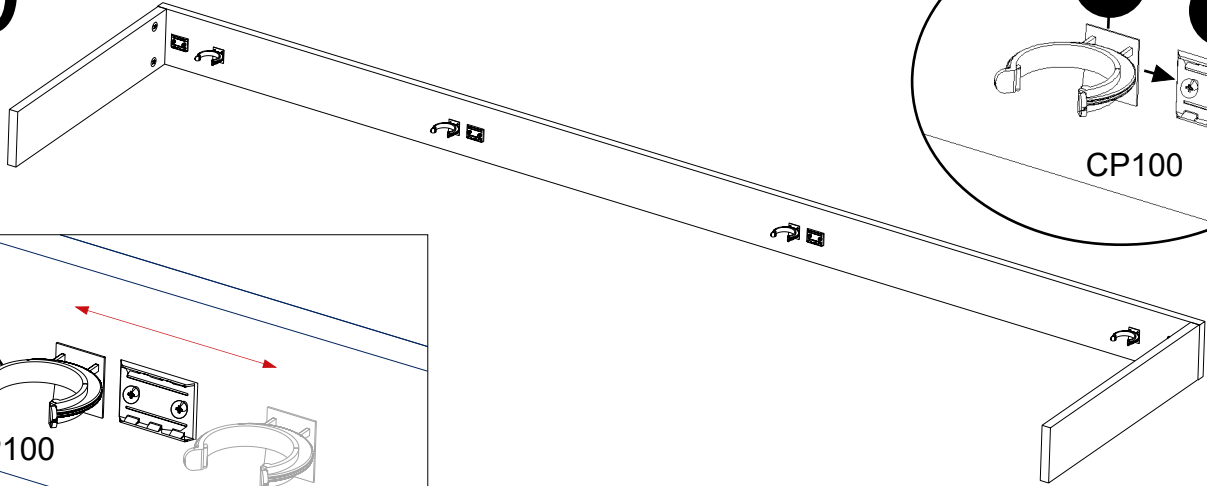
8



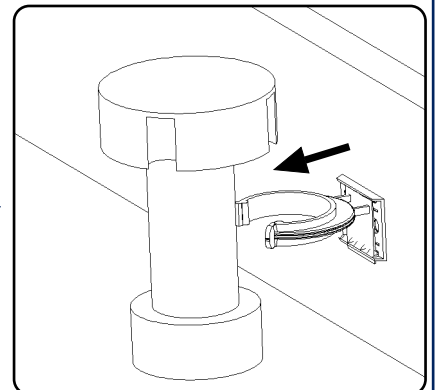
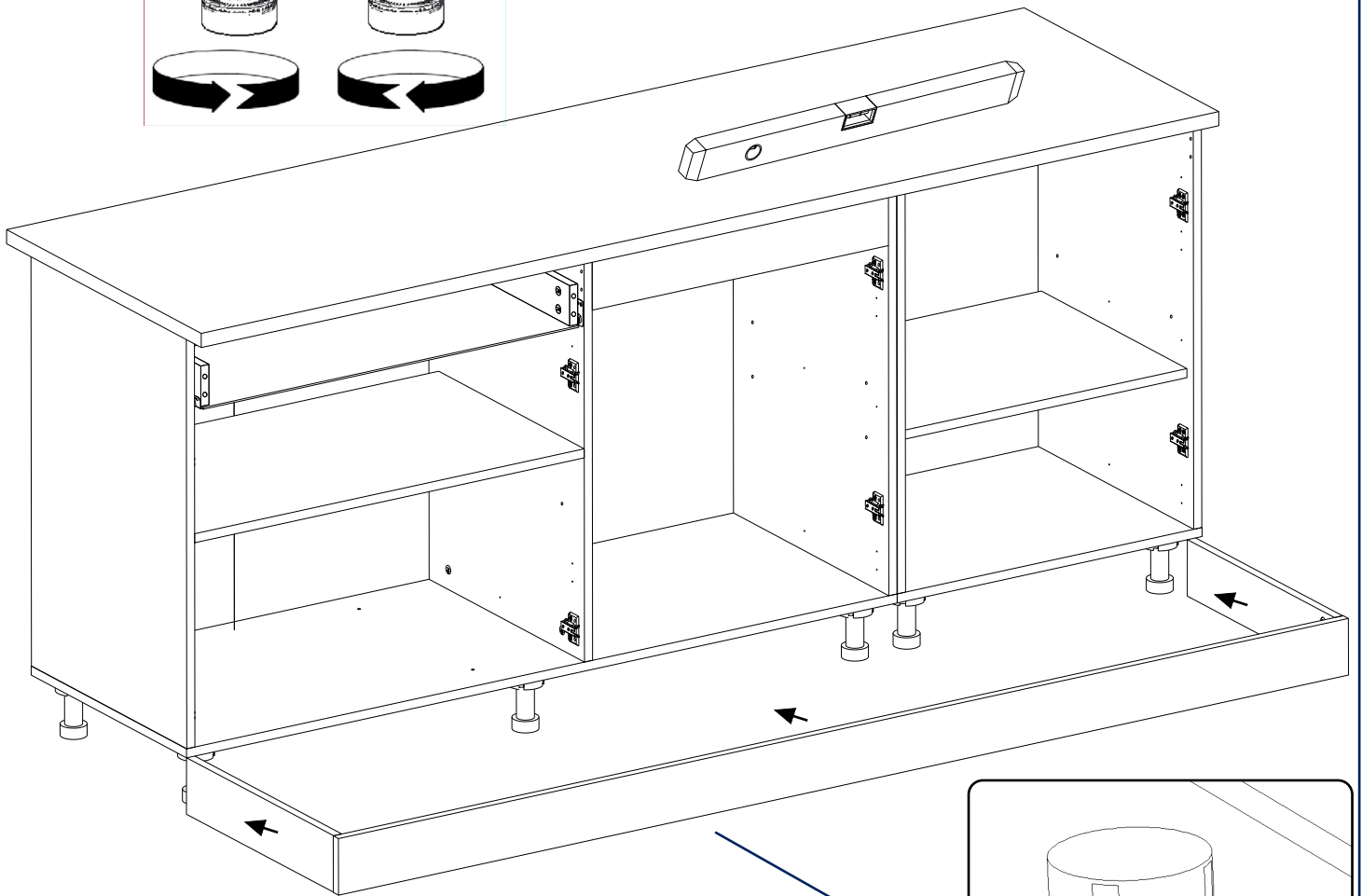
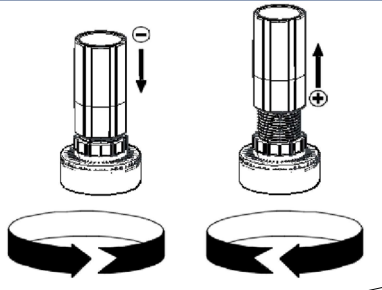
9



10



11



12

