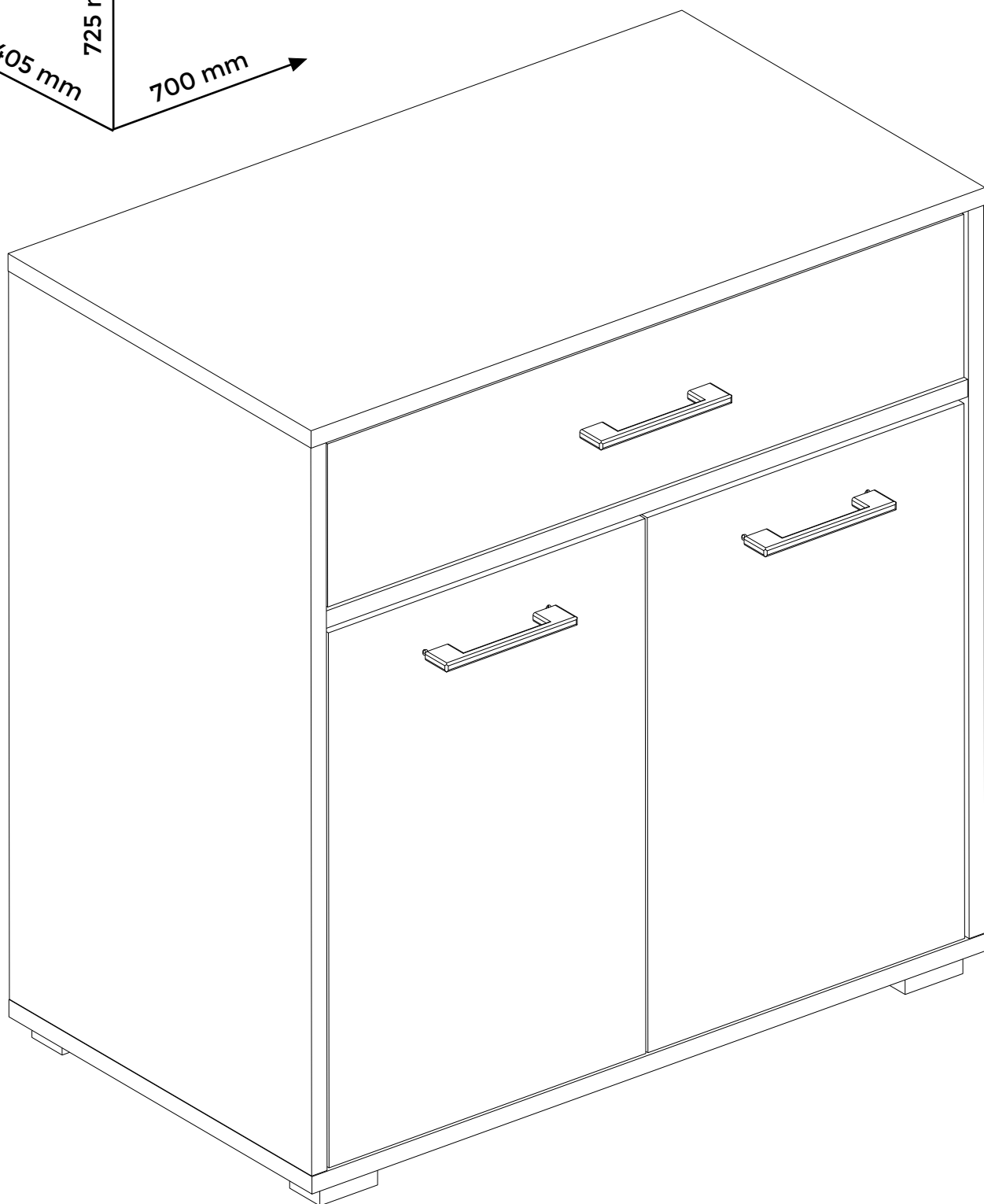
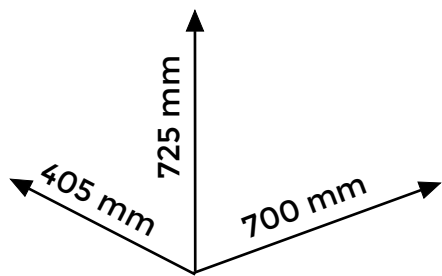


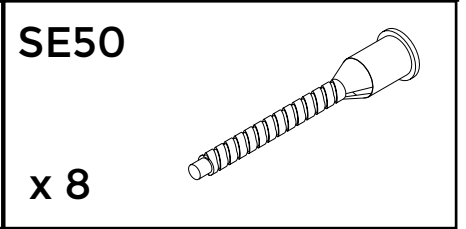
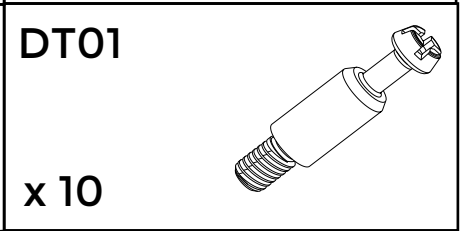
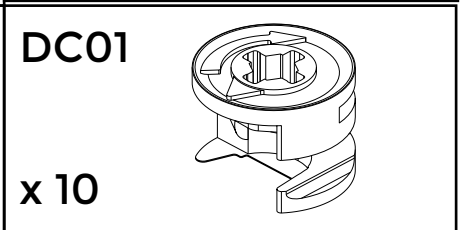
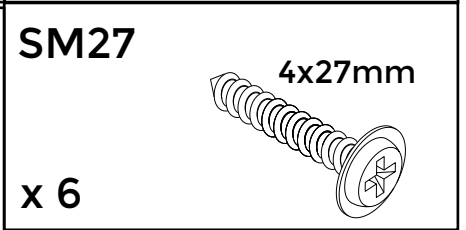
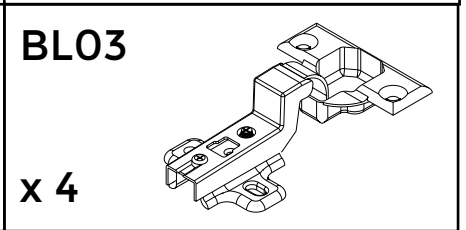
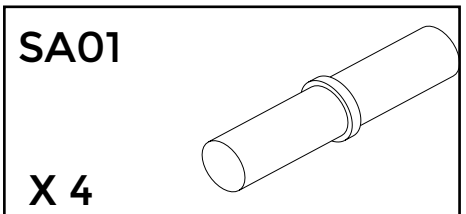
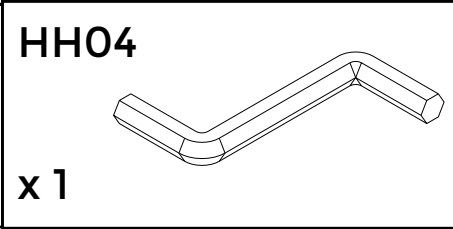
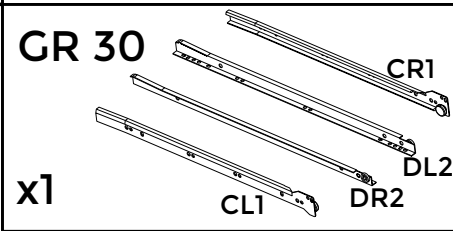
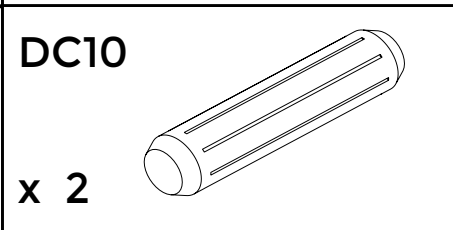
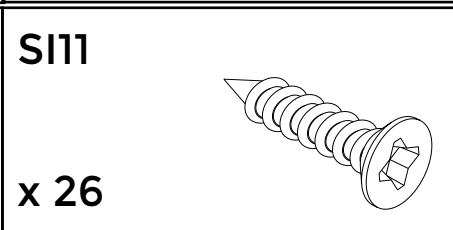
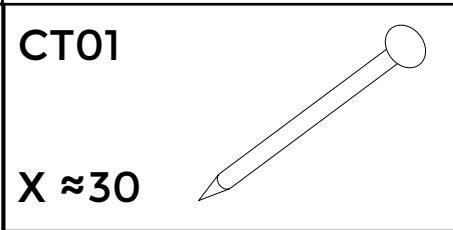
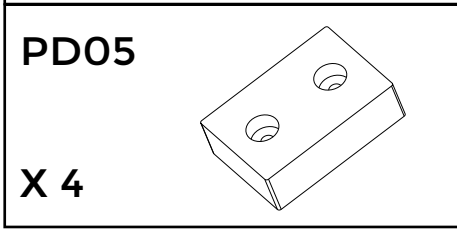
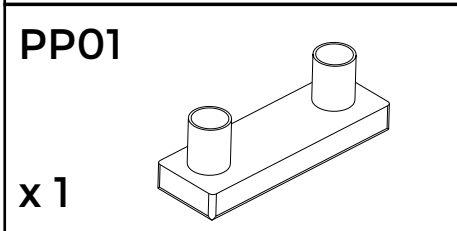
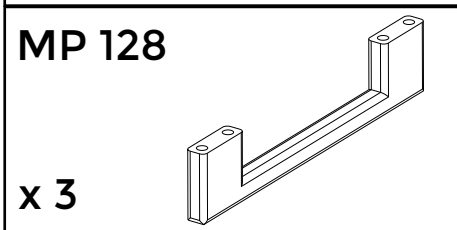
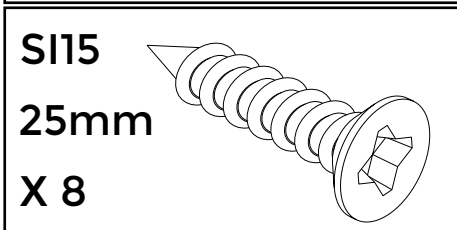
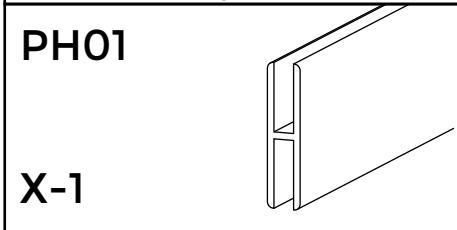
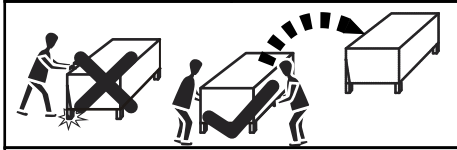
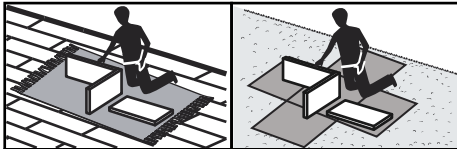
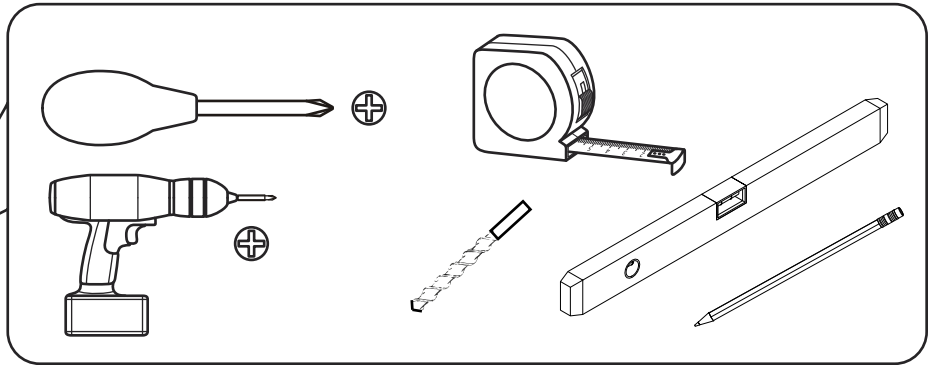
Dormitor CALIN

COMODA 2U+1S

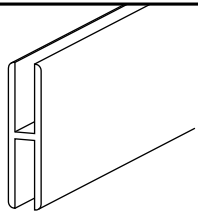


Dormitor CALIN

COMODA 2U+1S

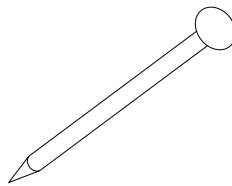


PH01



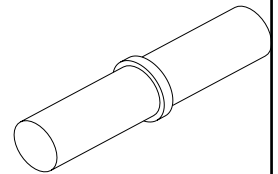
X-1

CT01



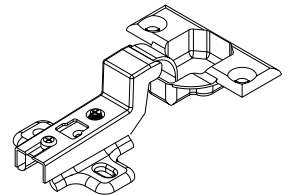
X ≈30

SA01



X 4

BL03

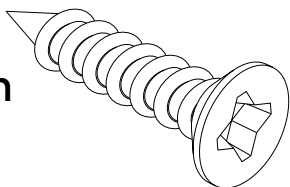


x 4

SI15

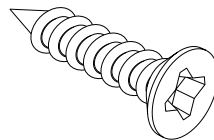
25mm

X 8



SI11

x 26



SM27

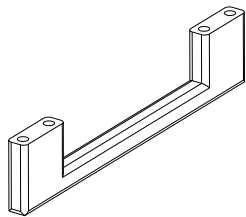
4x27mm

x 6



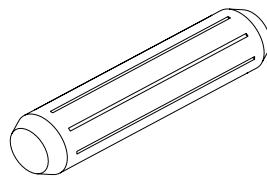
MP 128

x 3



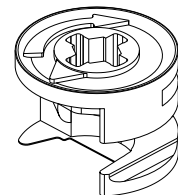
DC10

x 2



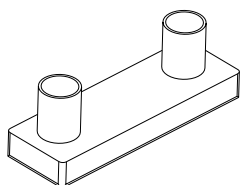
DC01

x 10



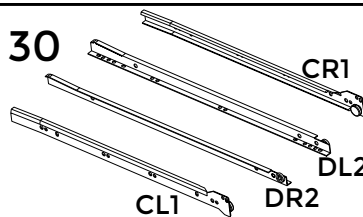
PP01

x 1



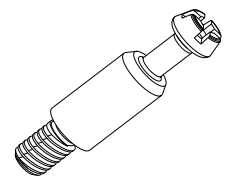
GR 30

x1



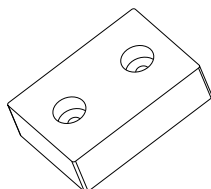
DT01

x 10



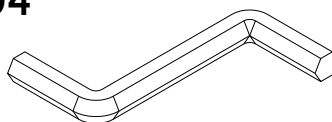
PD05

X 4



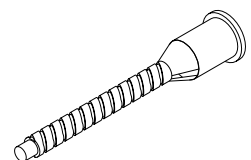
HH04

x 1



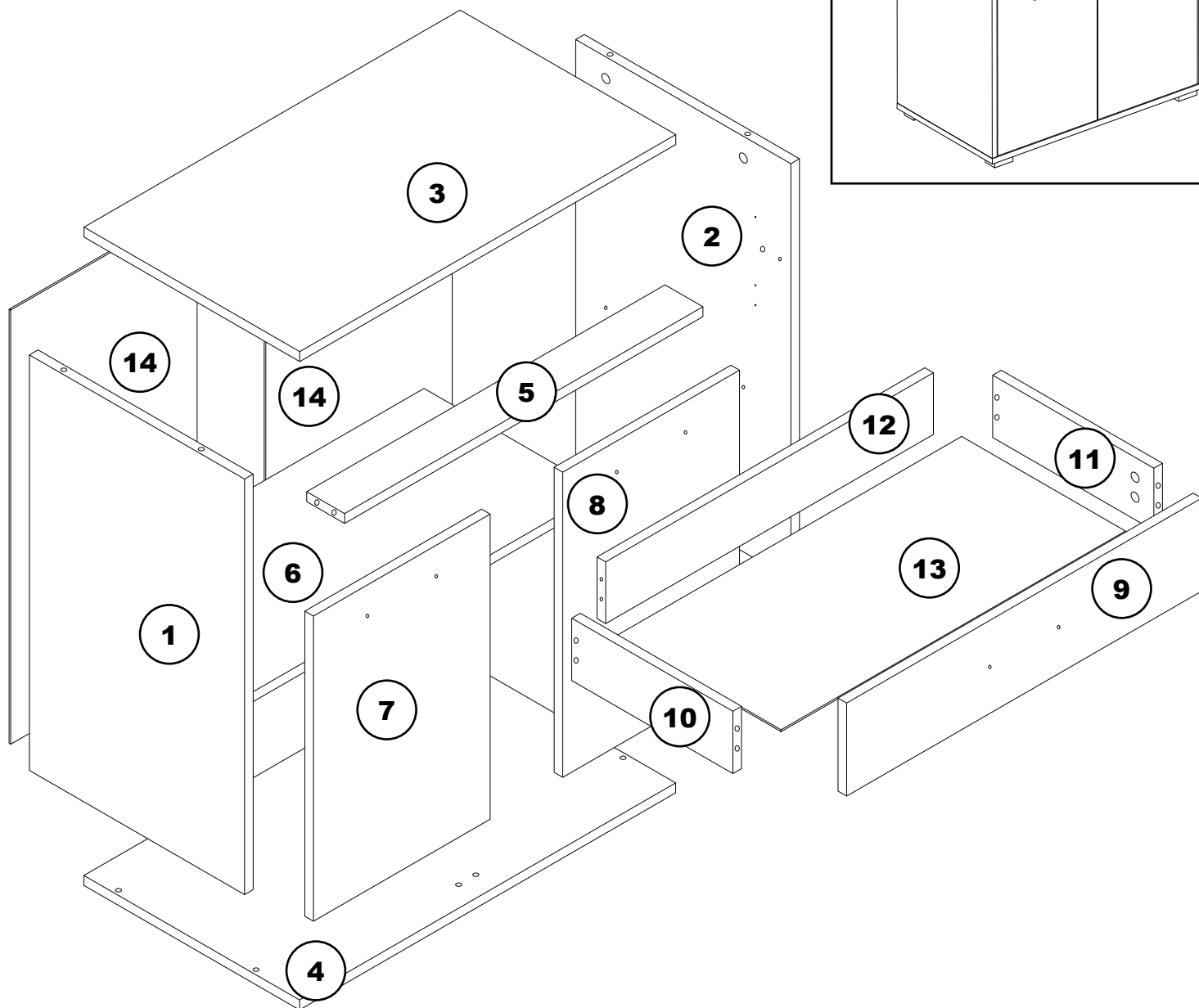
SE50

x 8



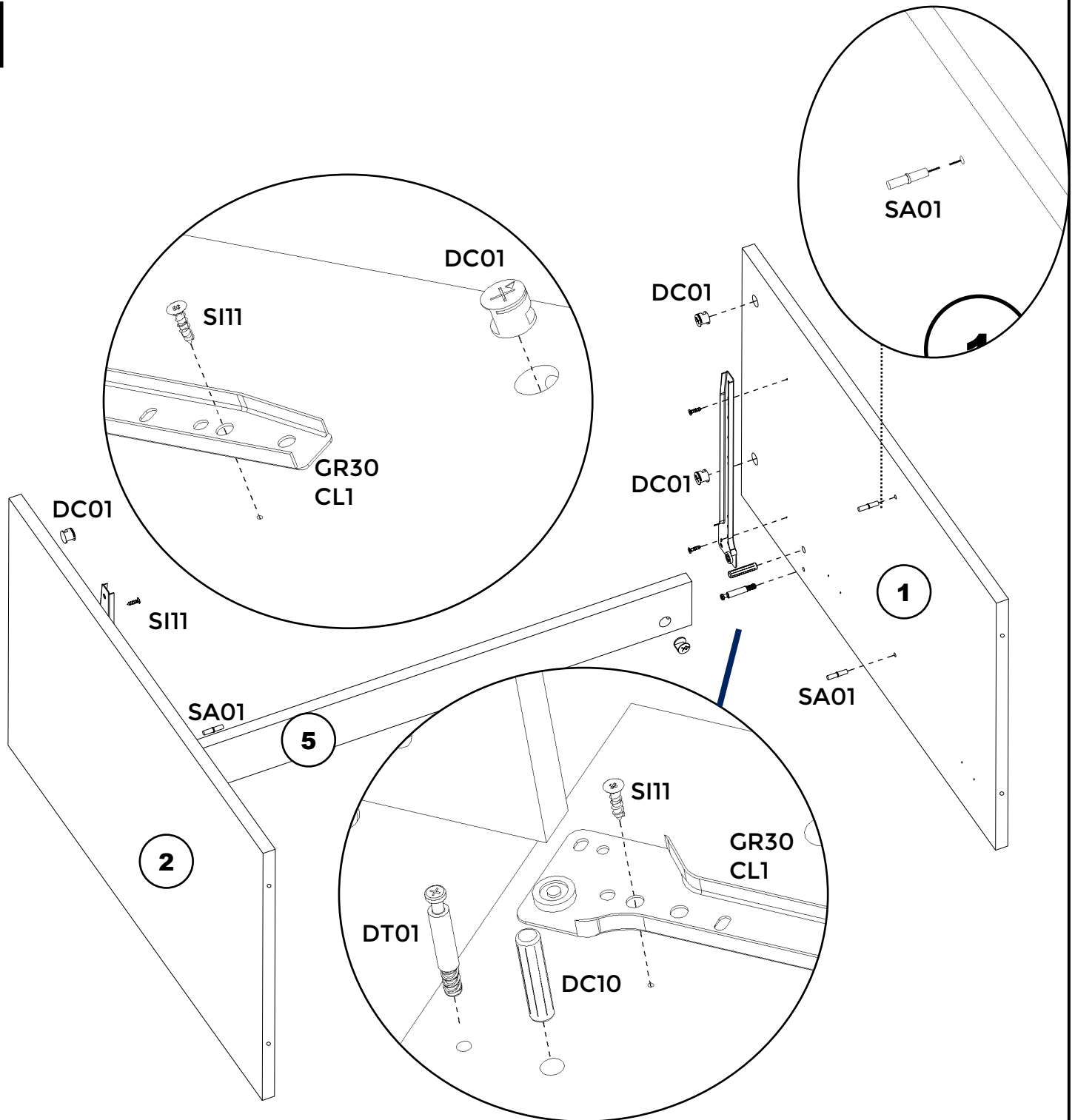
Dormitor CALIN

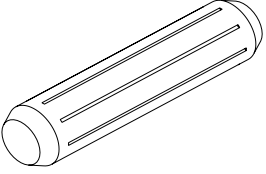
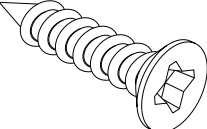
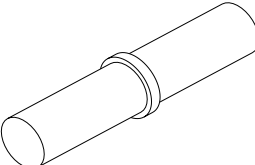
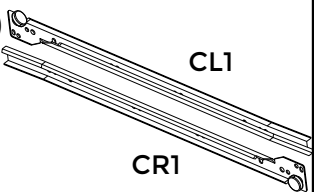
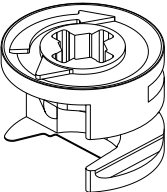
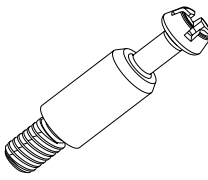
COMODA 2U+1S



NR	COD	Buc	NR	COD	Buc	NR	COD	Buc
1	0501	1	6	0506	1	11	0511	1
2	0502	1	7	0507	1	12	0512	1
3	0503	1	8	0508	1	13	0513	1
4	0504	1	9	0509	1	14	0514	2
5	0505	1	10	0510	1			

1

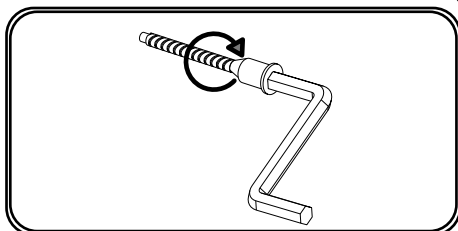
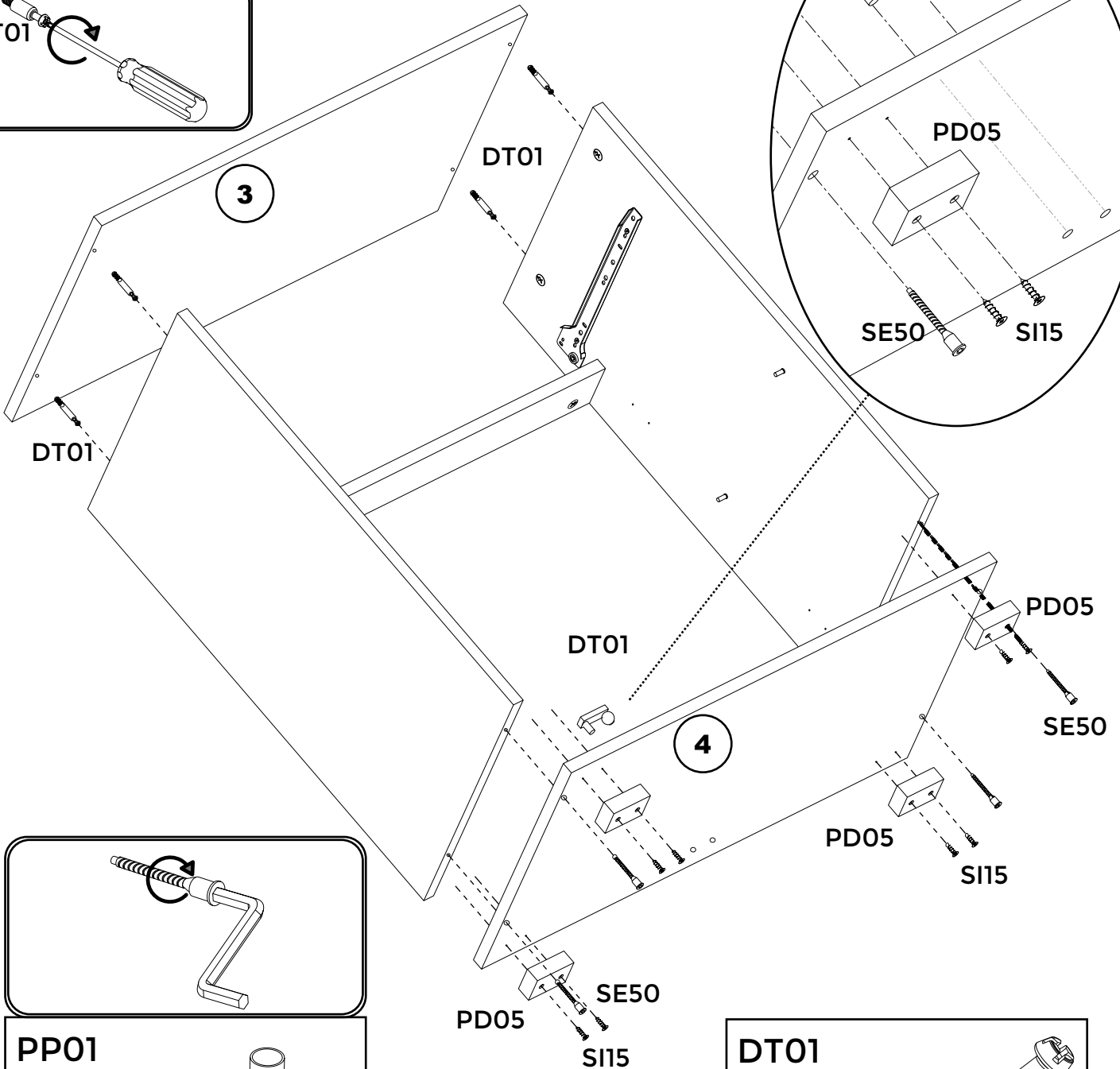
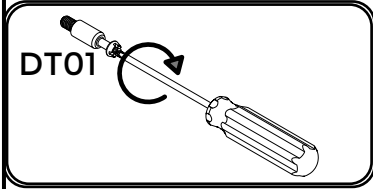
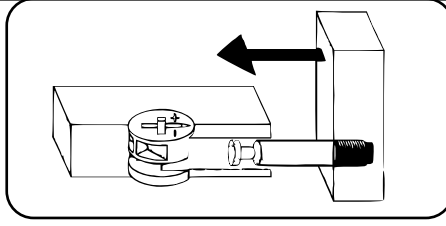
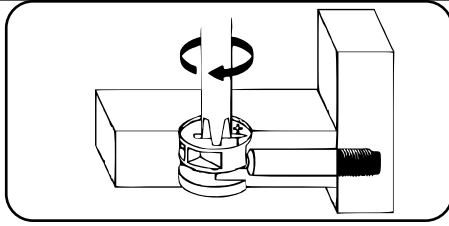


<p>DC10</p>  <p>x 2</p>	<p>SI11</p>  <p>x 4</p>	<p>SA01</p>  <p>x 4</p>
<p>GR 30</p>  <p>CL1</p> <p>CR1</p> <p>x 1</p>	<p>DC01</p>  <p>x 6</p>	<p>DT01</p>  <p>x 2</p>

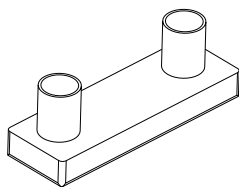
Dormitor CALIN

COMODA 2U+1S

2

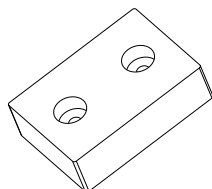


PP01



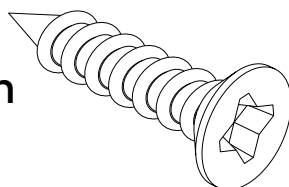
x 1

PD05



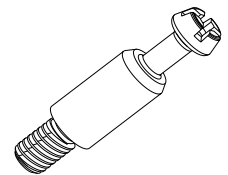
x 4

SI15
25mm
x 8



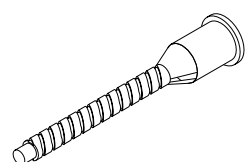
DT01

x 4

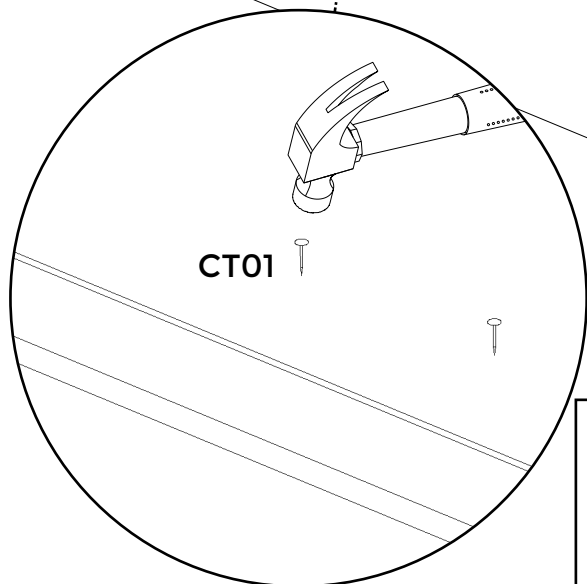
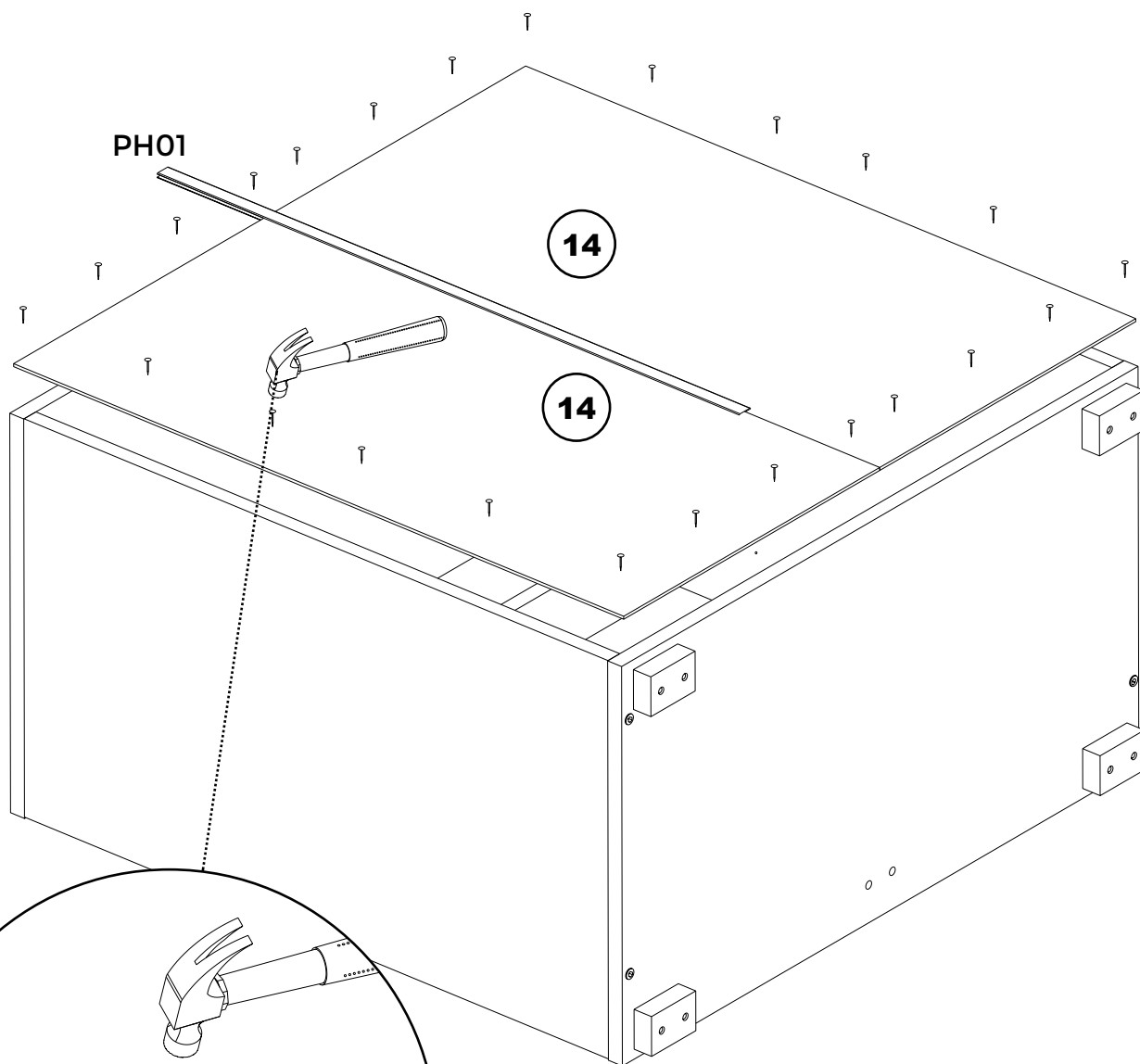
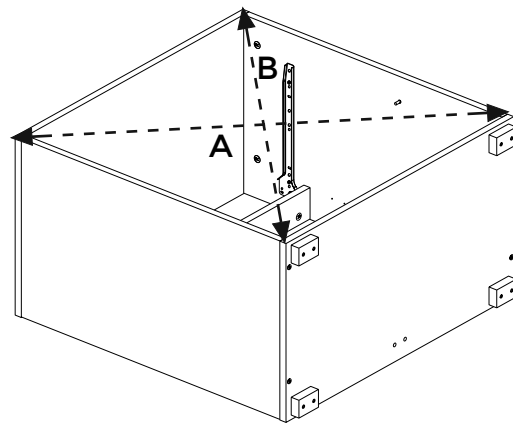
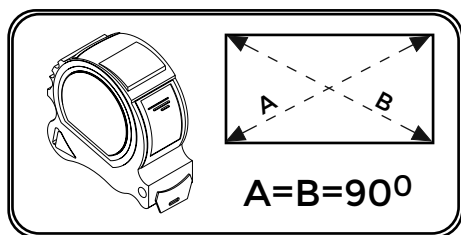


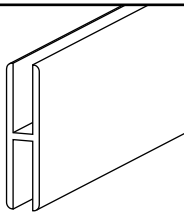
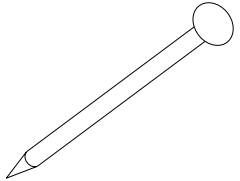
SE50

x 4



3

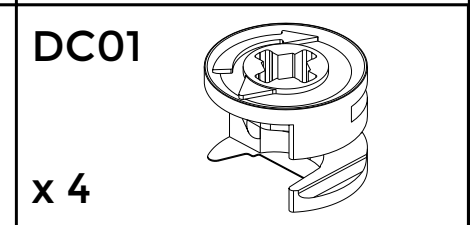
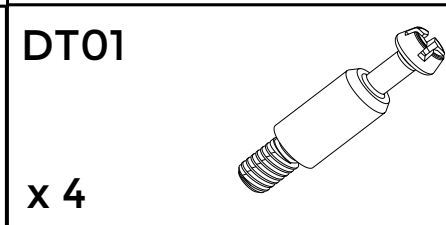
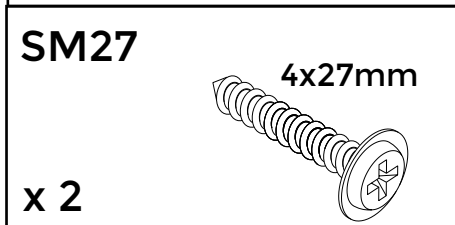
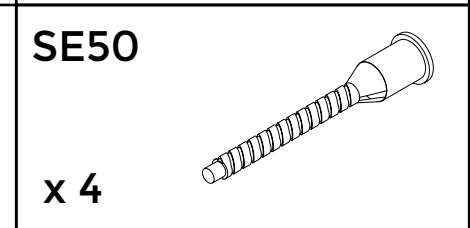
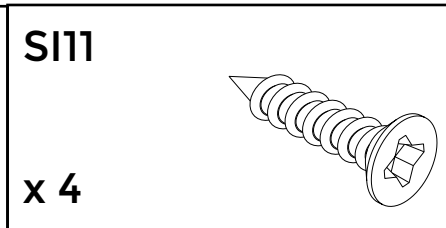
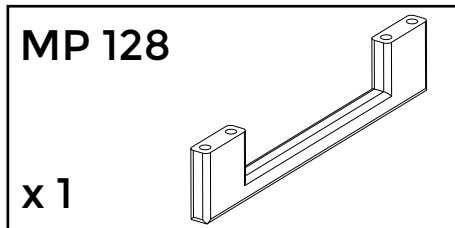
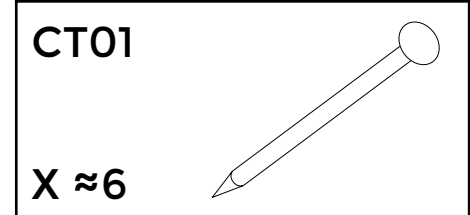
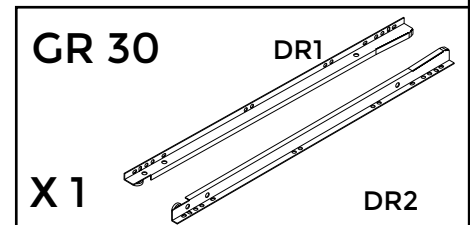
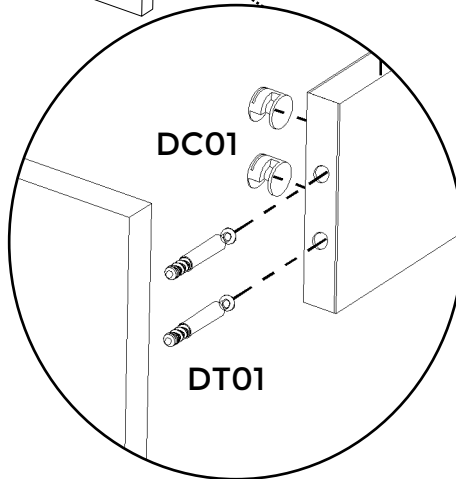
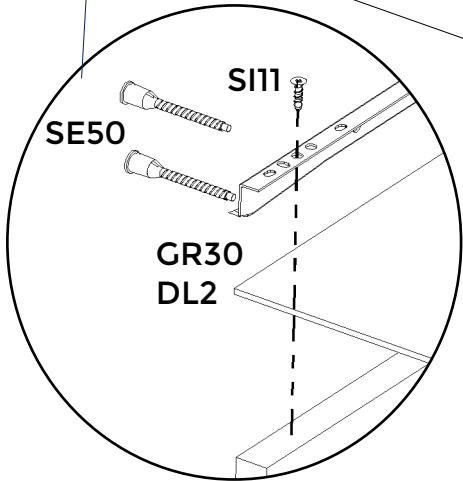
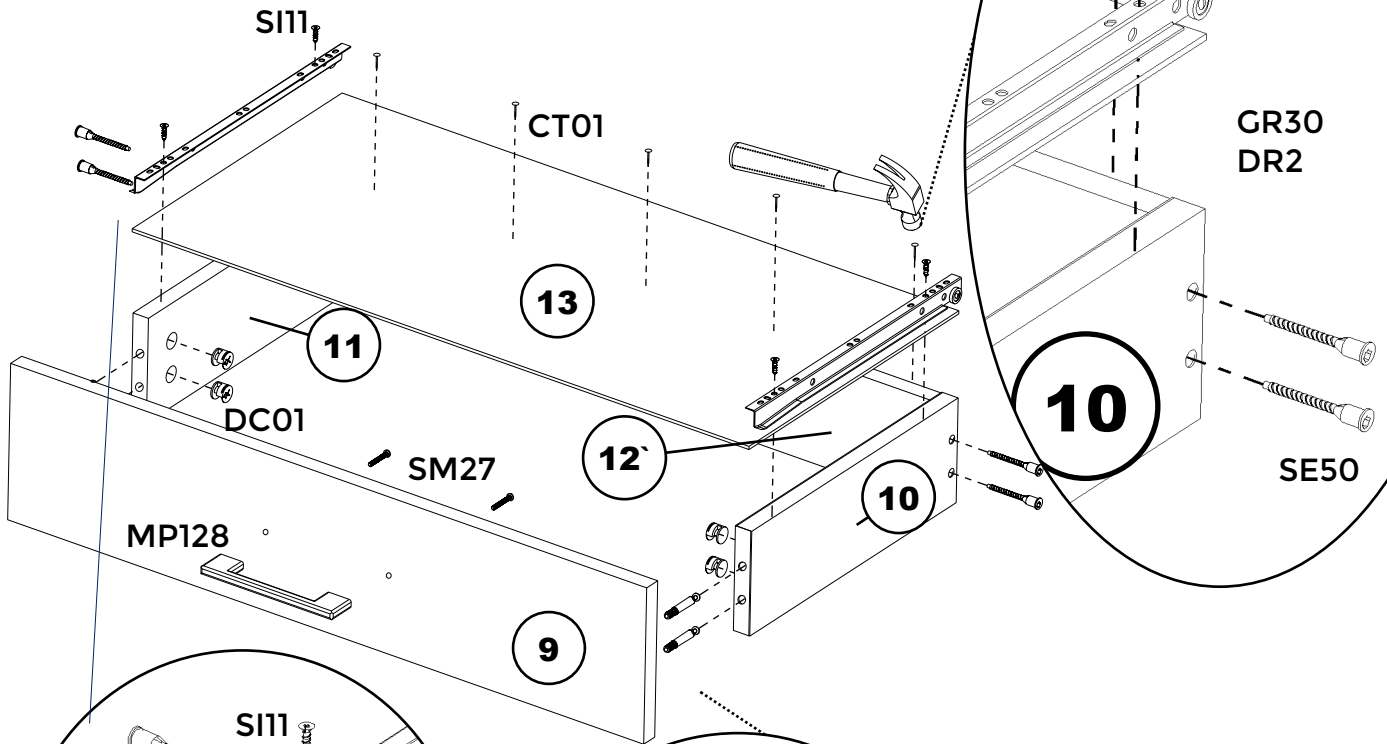
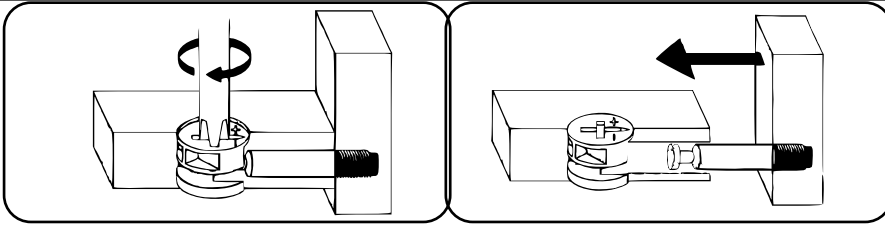


<p>PH01</p>  <p>X-1</p>	<p>CT01</p>  <p>X ≈ 24</p>
---	---

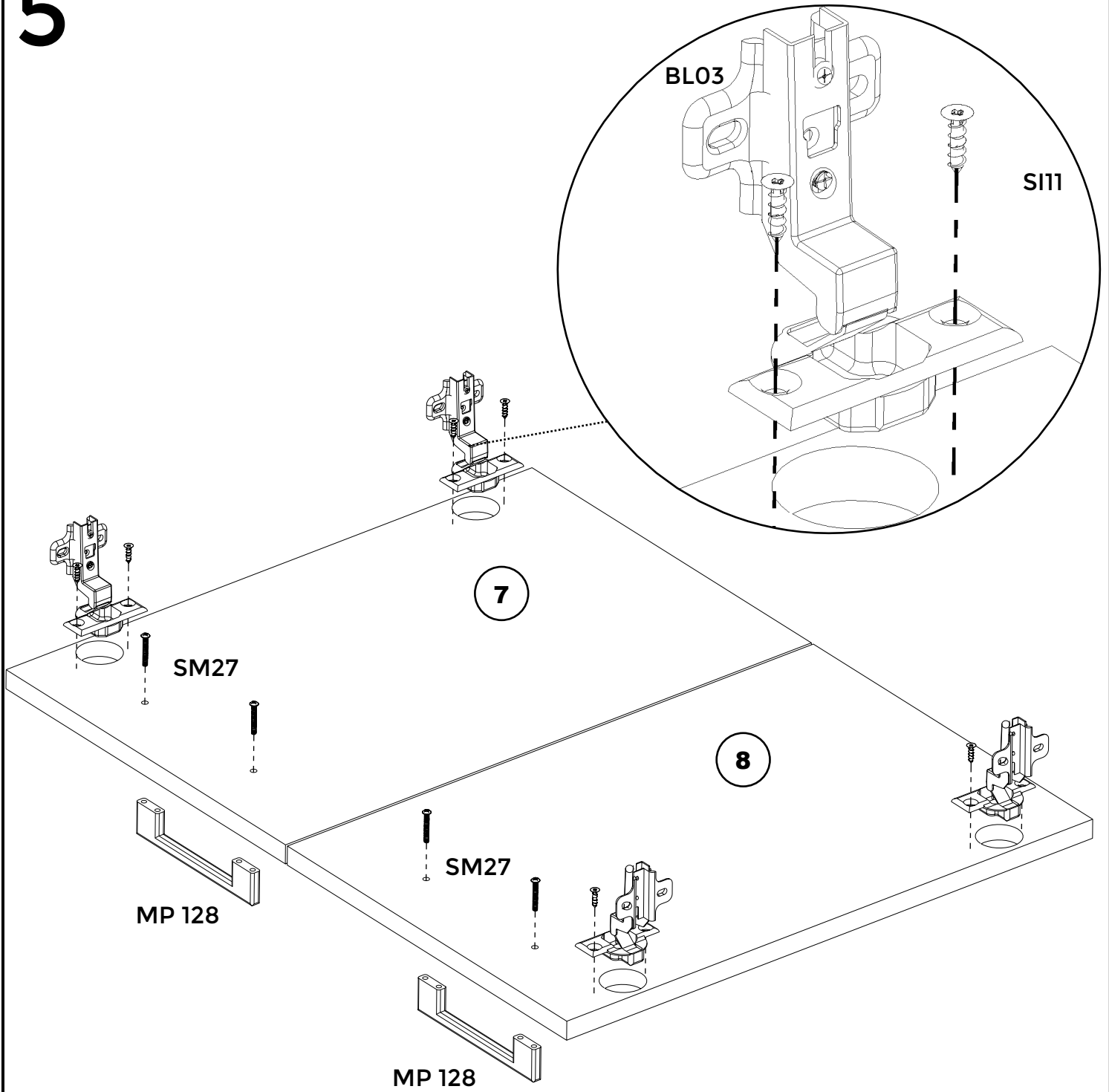
Dormitor CALIN

COMODA 2U+1S

4

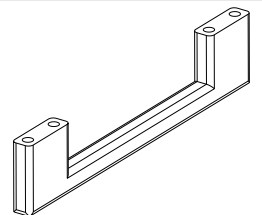


5



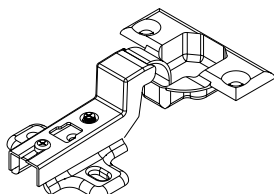
MP 128

x 2



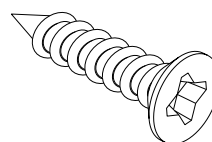
BL03

x 4



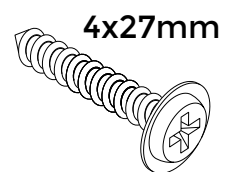
SI11

x 8



SM27

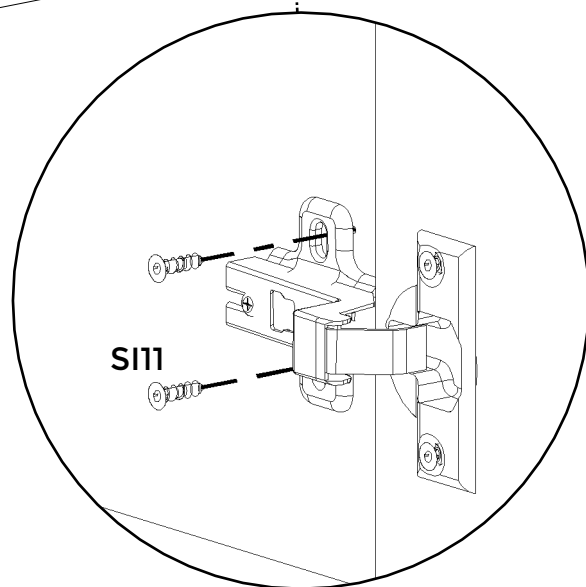
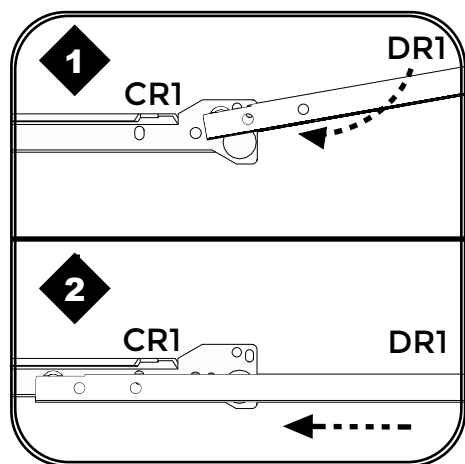
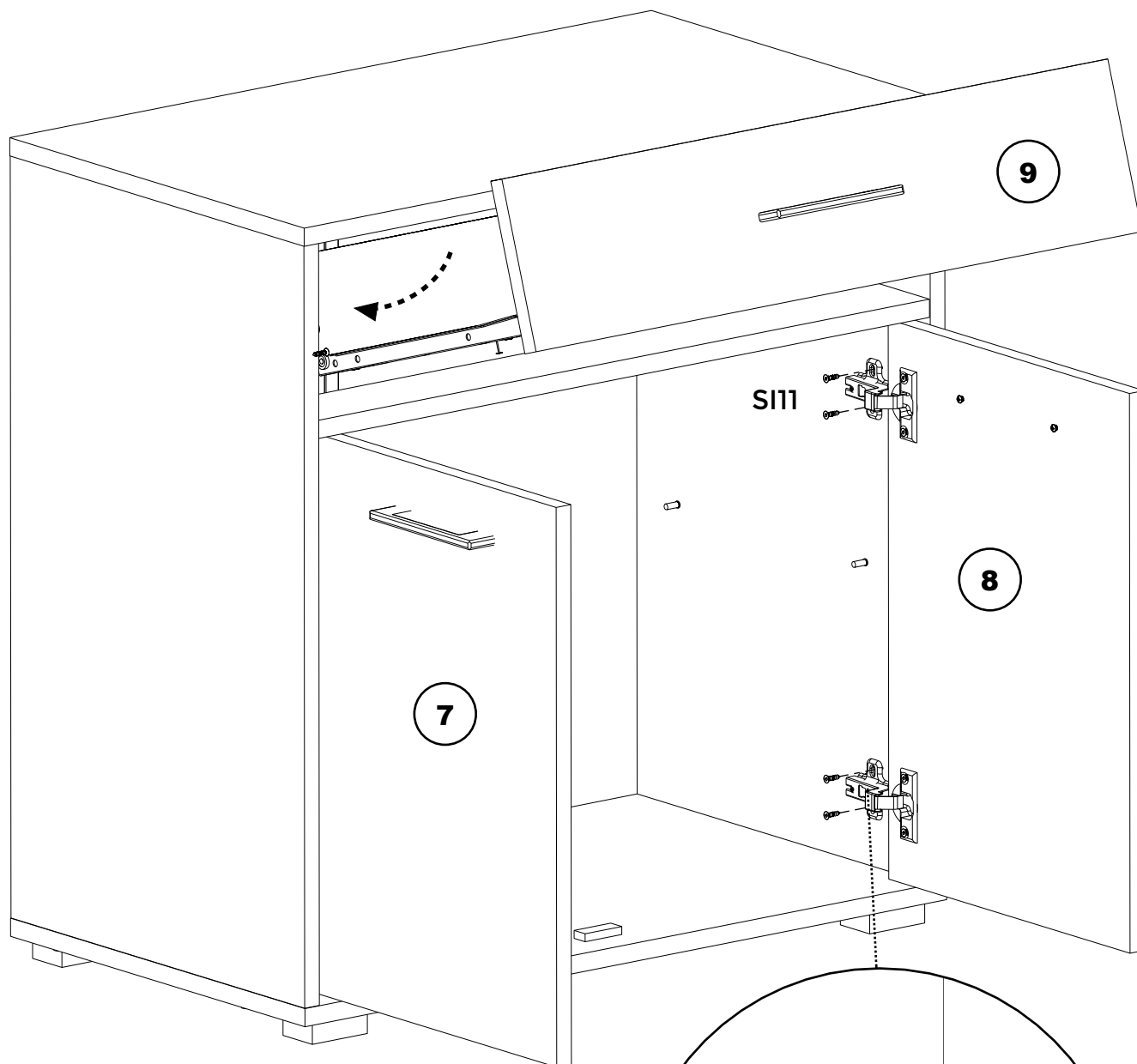
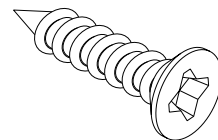
x 4



6

SI11

x 8



7

