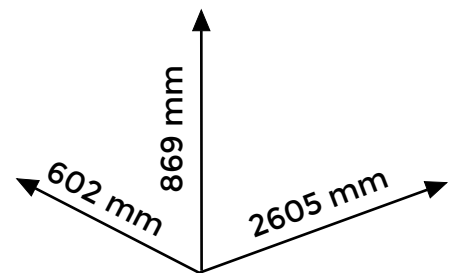
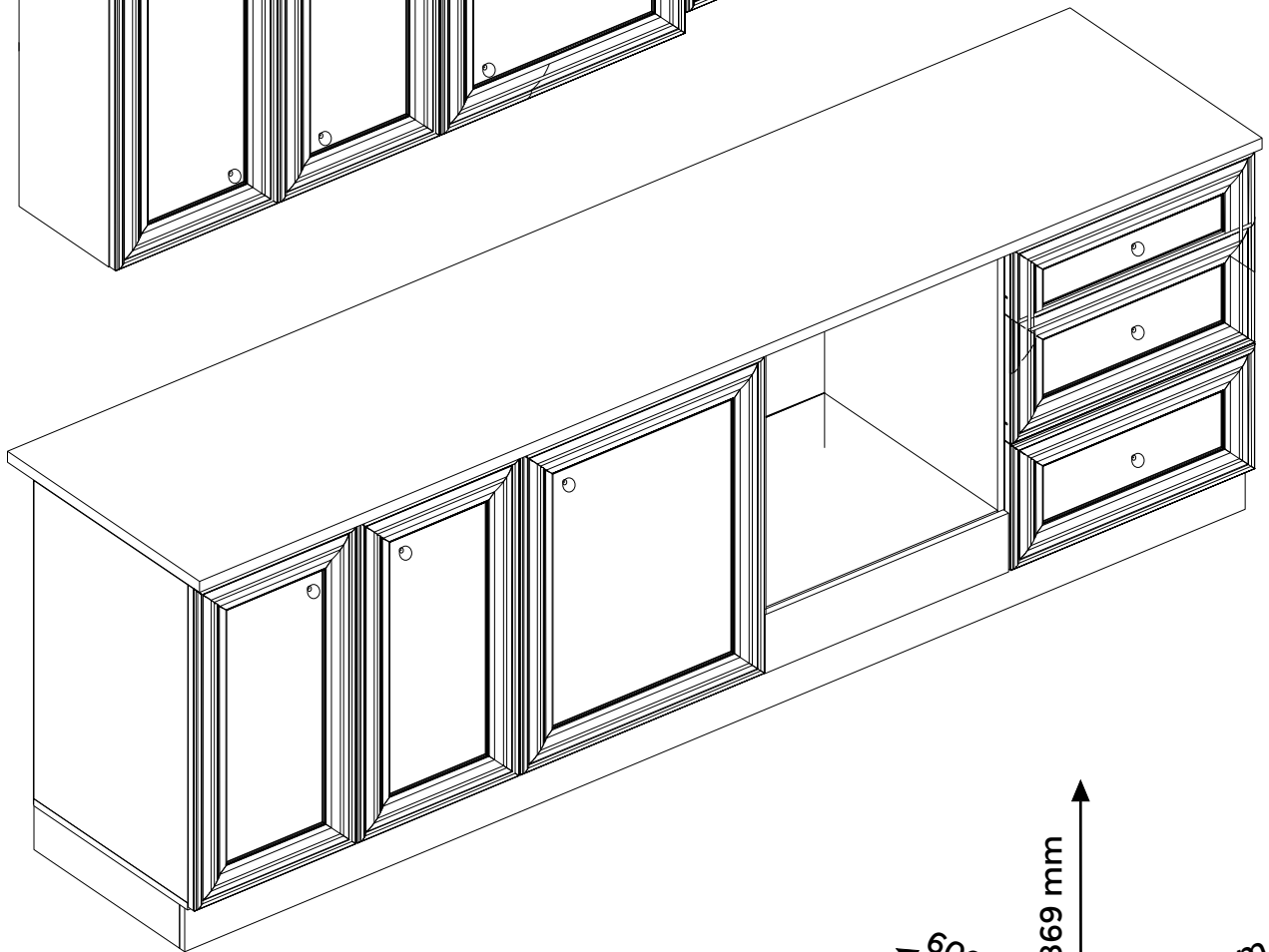
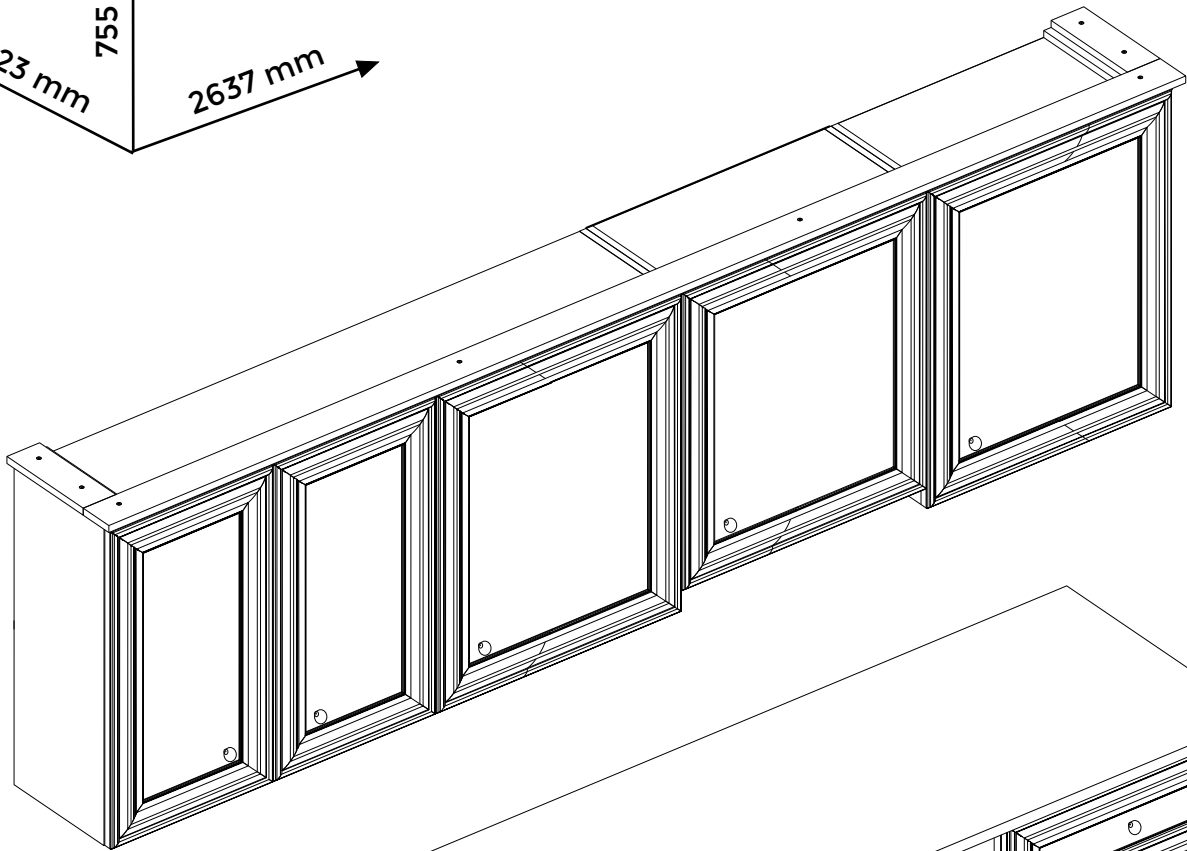
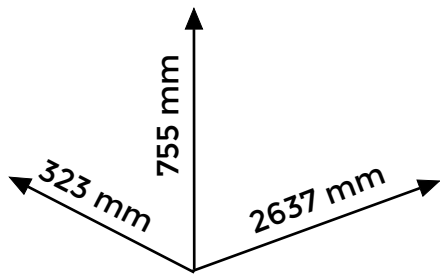


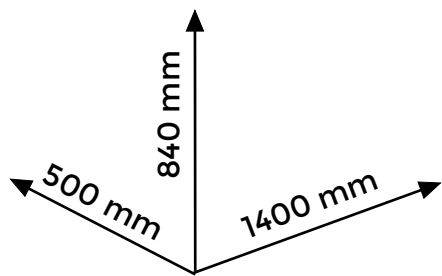
Bucataria KAYA

ASAMBLARE

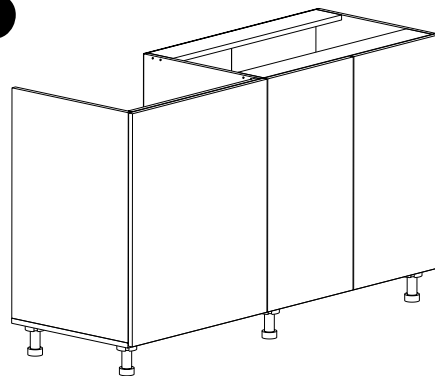


Bucatarii

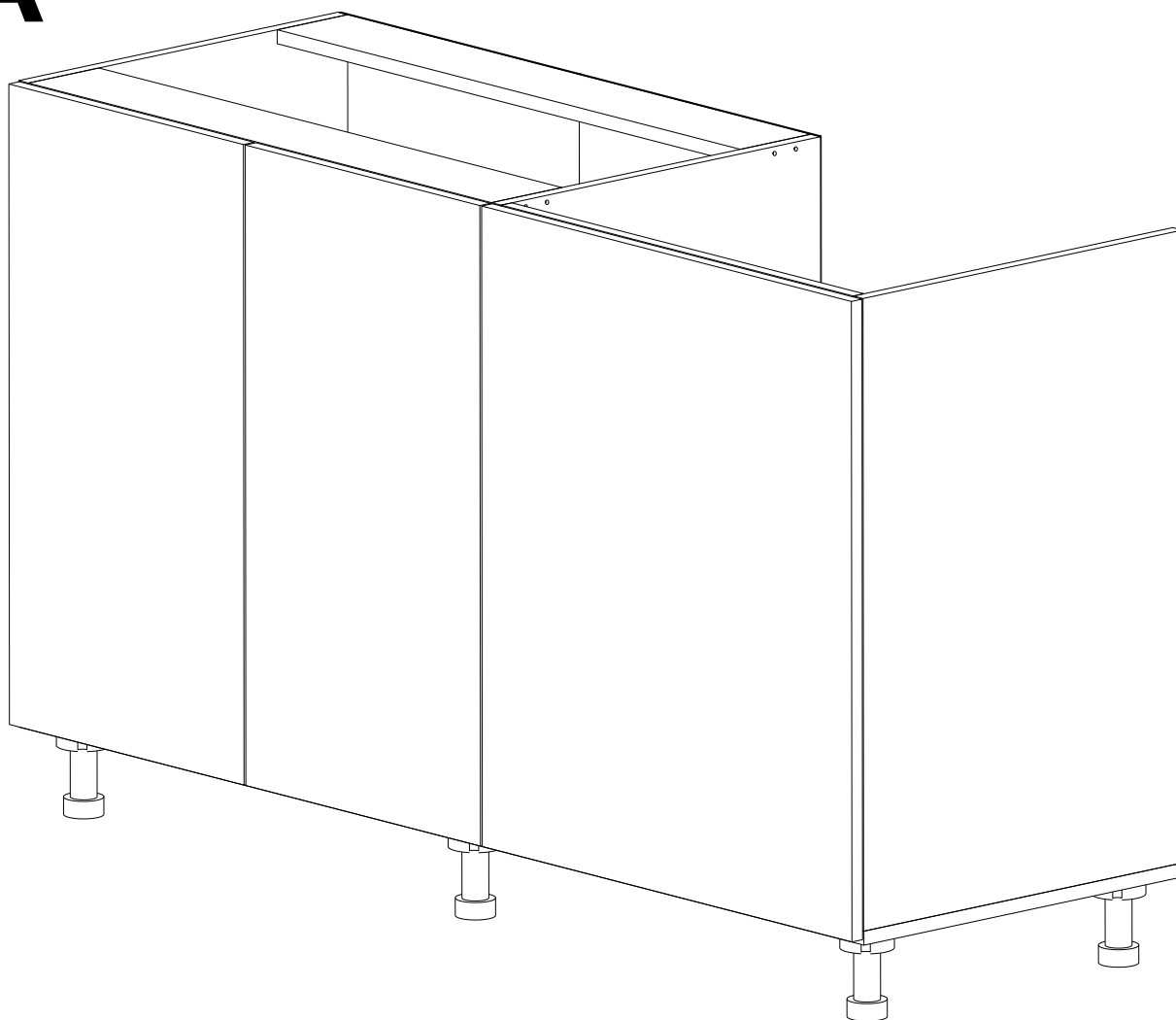
INFERIOR 1400 2U+MC



B

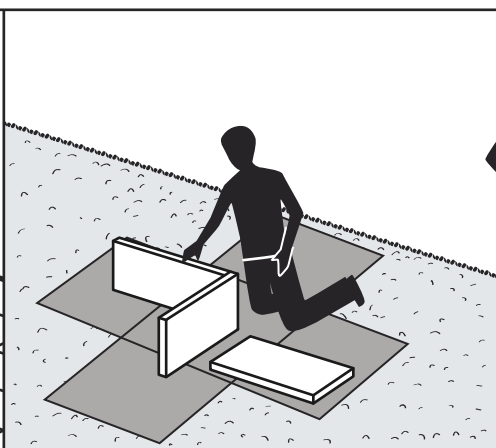
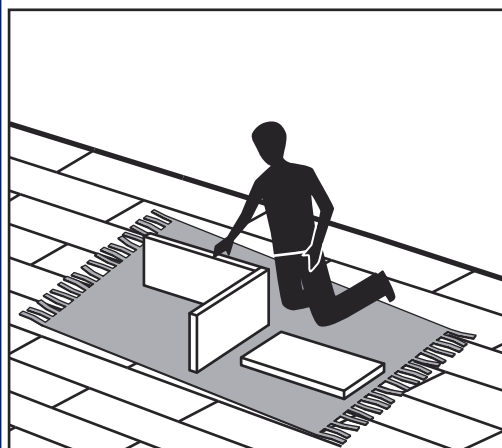
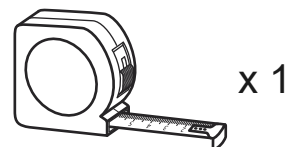
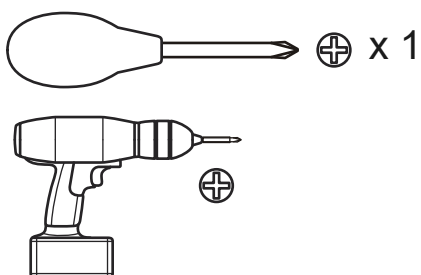


A

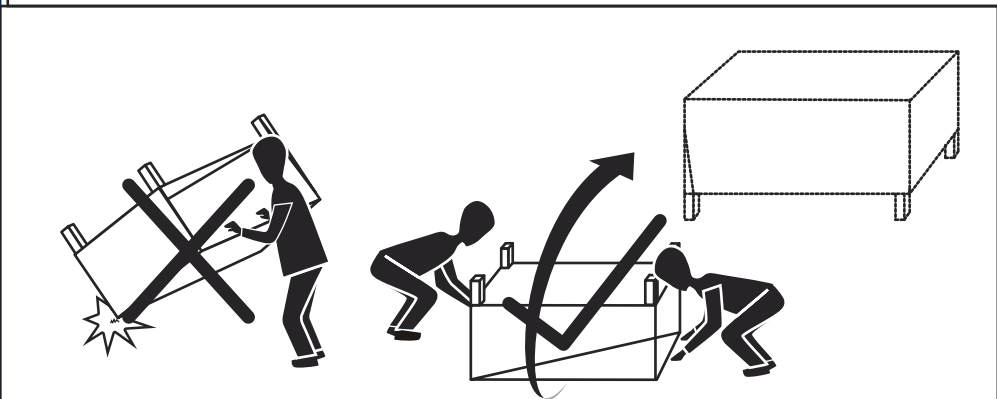
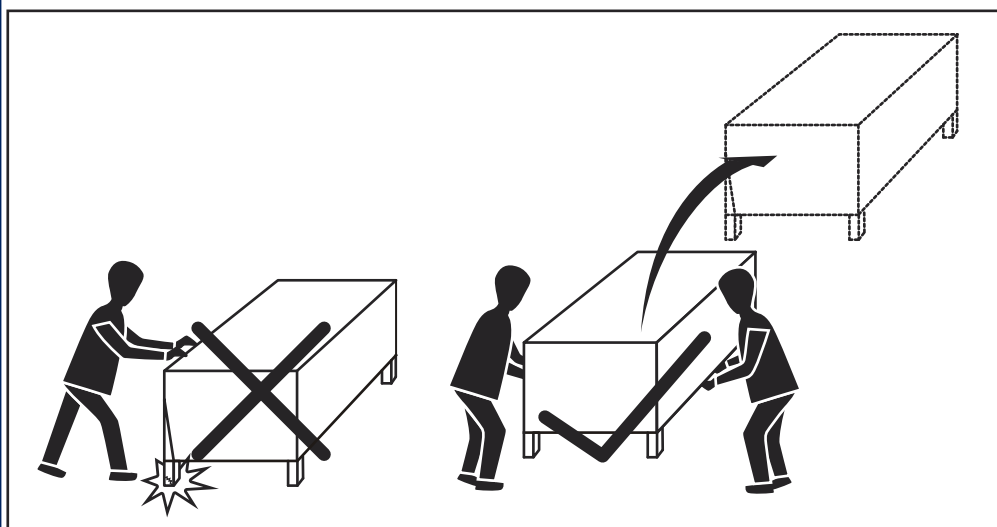
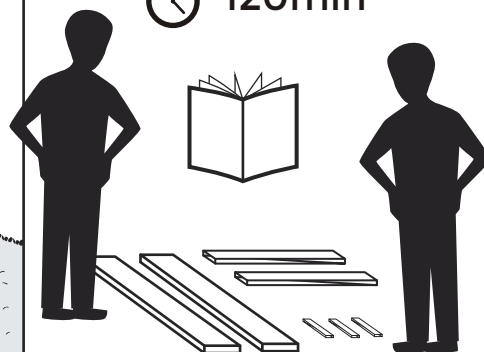


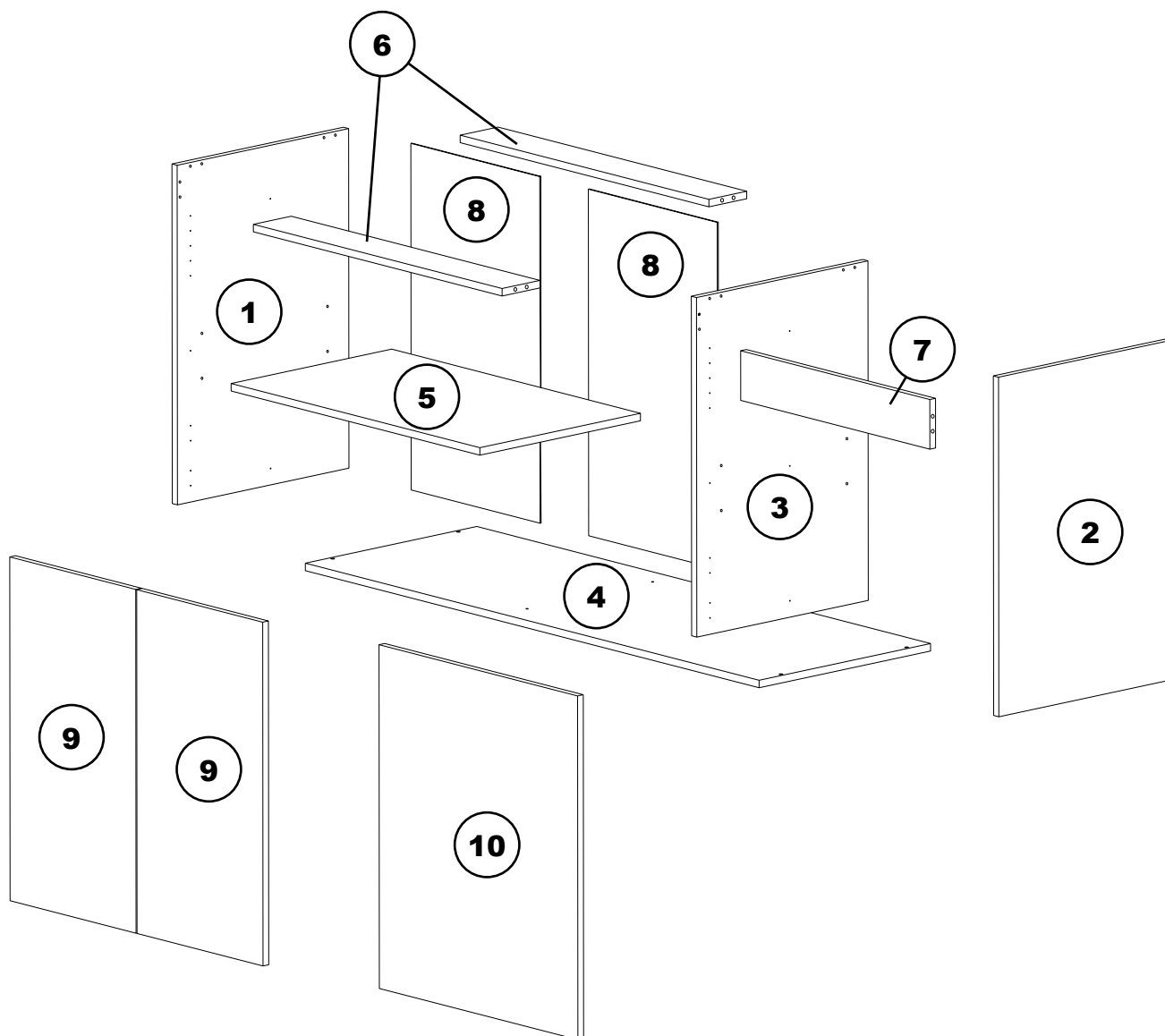
MATERIALE

Fronturi Pal
Carcasa Pal 16 mm
Spate HDF
Cant ABS 0.5 si 1 mm
Elemente de imbinare metalice si din lemn
Manere plastic
Picioare plastic

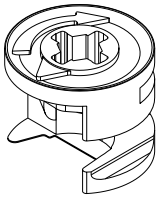
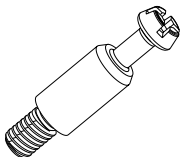
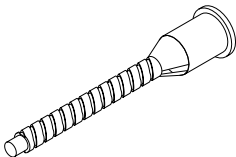
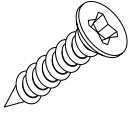
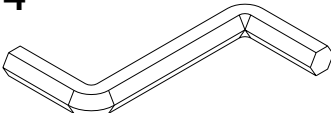
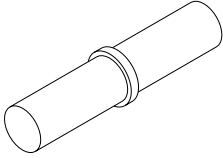
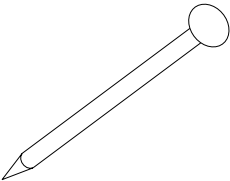
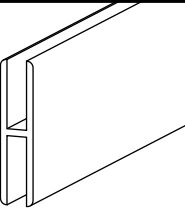
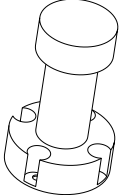
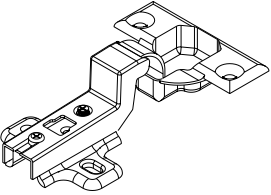
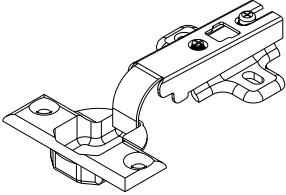


🕒 120min



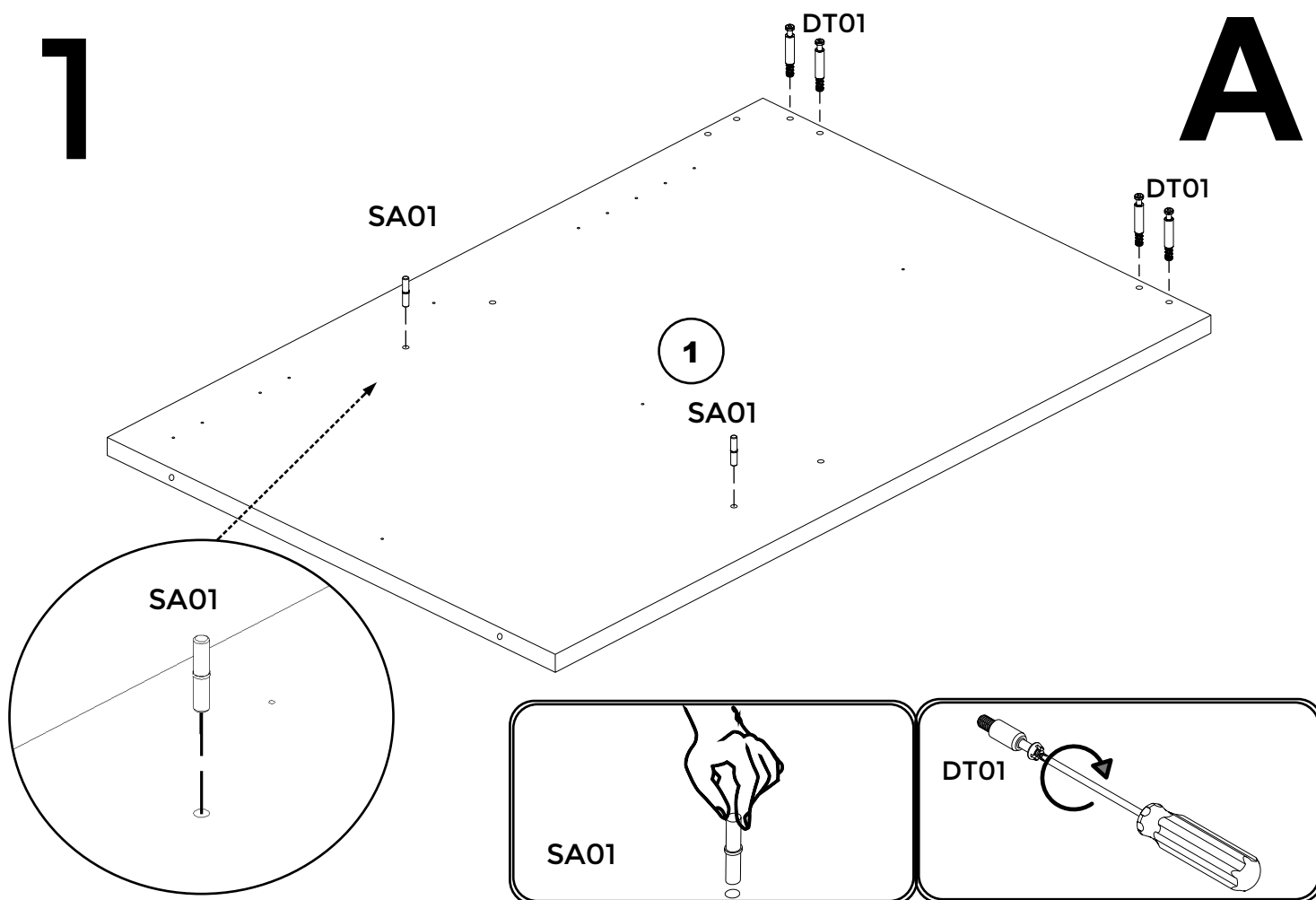


Nr	COD	BuC	Nr	COD	BuC
1	0101	1	7	0106	1
2	0102	1	8	0302	2
3	0103	1	9	1153	2
4	0104	1	10	3033	1
5	0301	1			
6	0105	2			

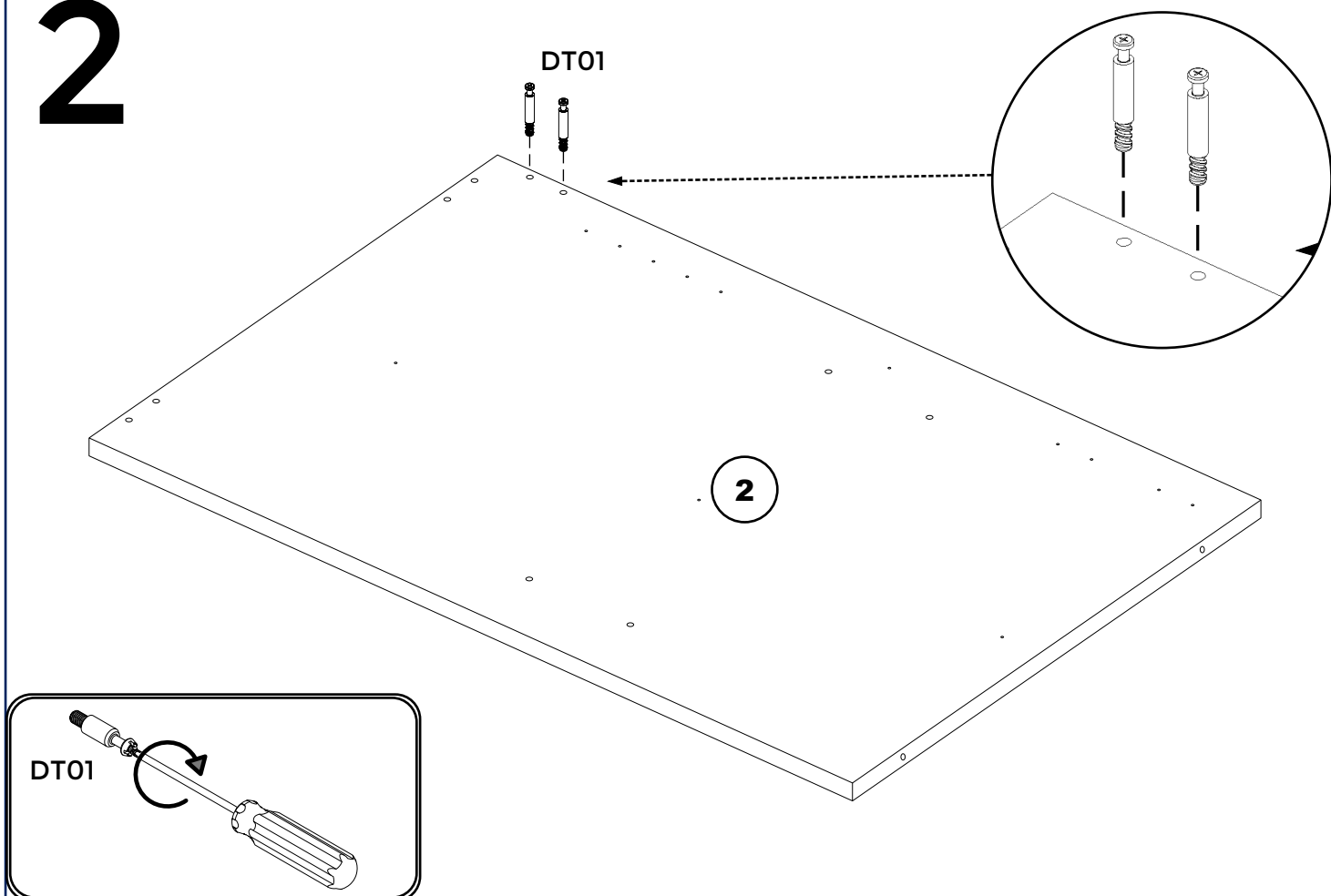
<p>DC01</p>  <p>x14</p>	<p>DT01</p>  <p>x14</p>	<p>SE50</p>  <p>x4</p>
<p>SI11</p>  <p>x48</p>	<p>HH04</p>  <p>x1</p>	<p>SA01</p>  <p>x4</p>
<p>CT01</p>  <p>≈ 35</p>	<p>PH01</p>  <p>x1</p>	<p>PB01</p>  <p>x6</p>
<p>BL03</p>  <p>x2</p>		<p>BL01</p>  <p>x4</p>

1

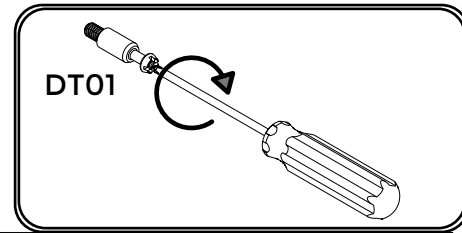
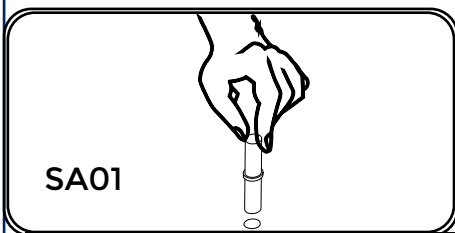
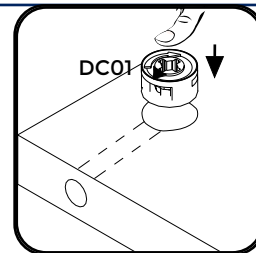
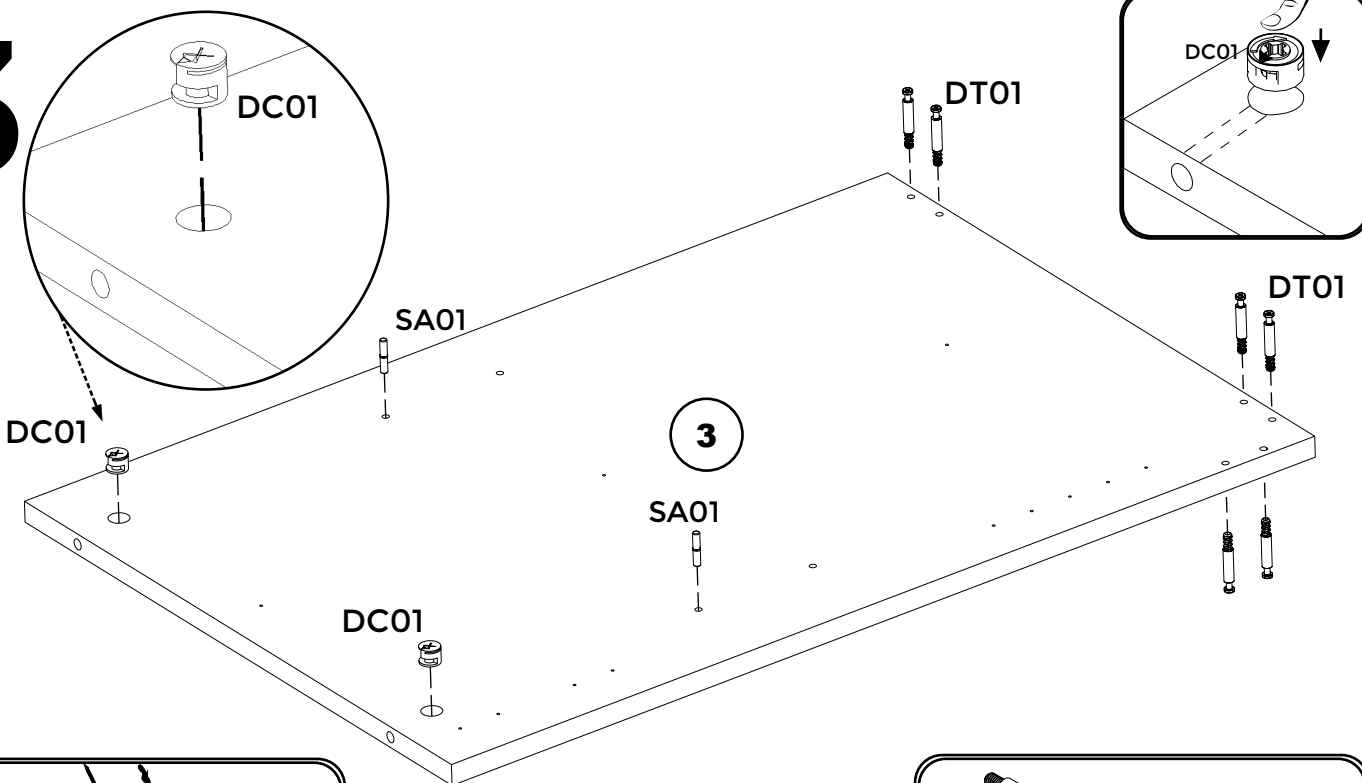
A



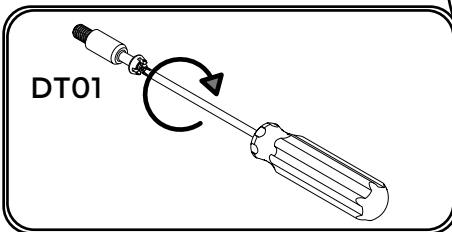
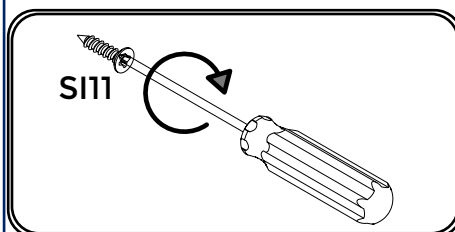
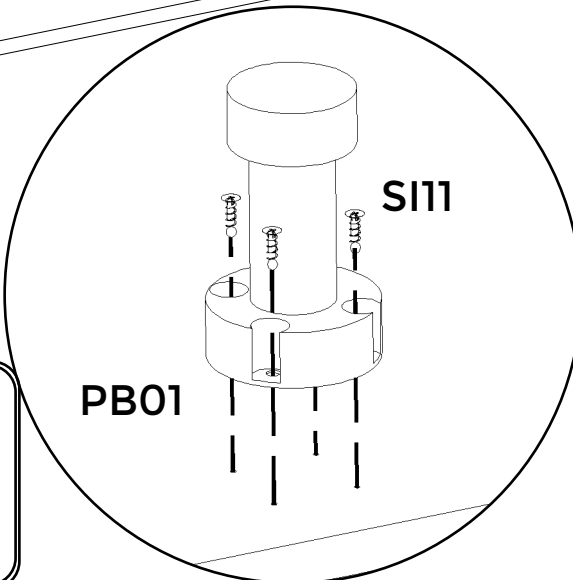
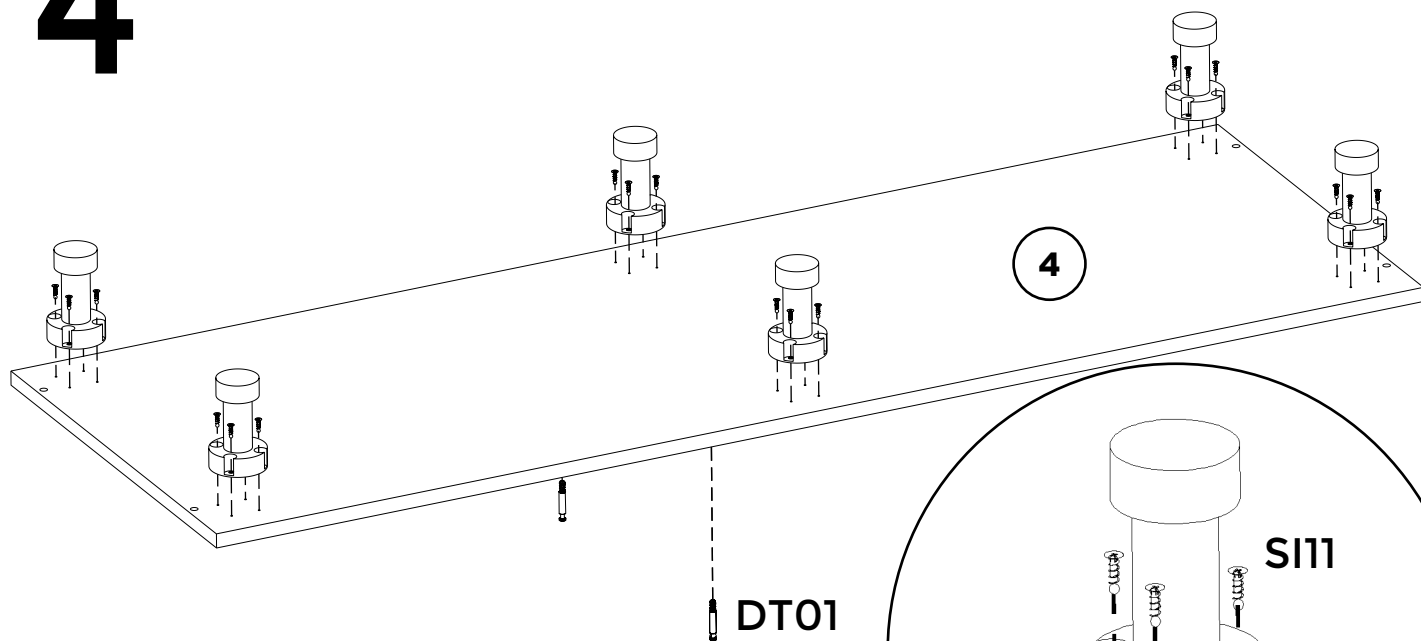
2



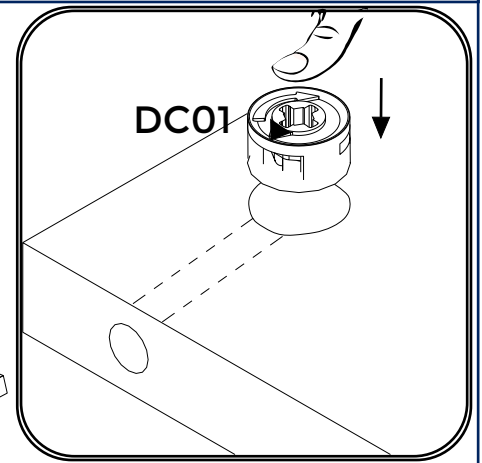
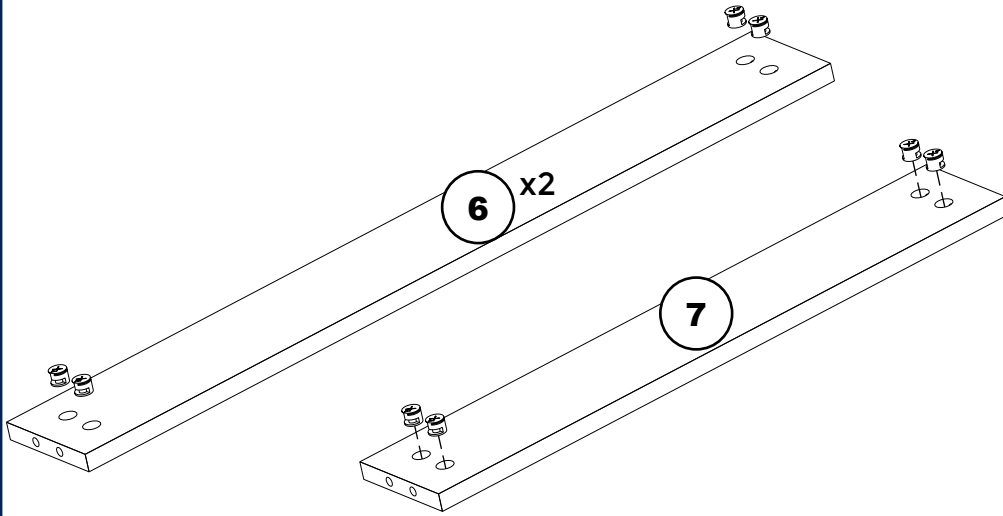
3



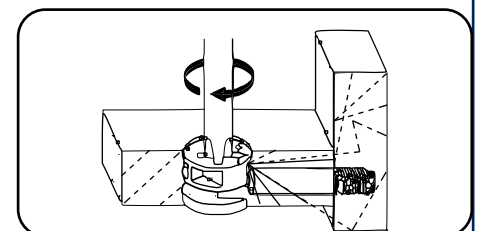
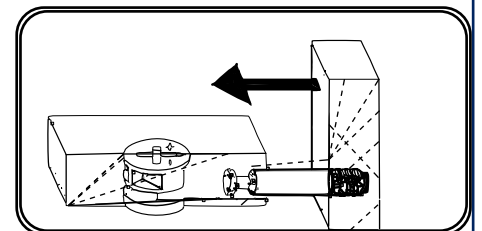
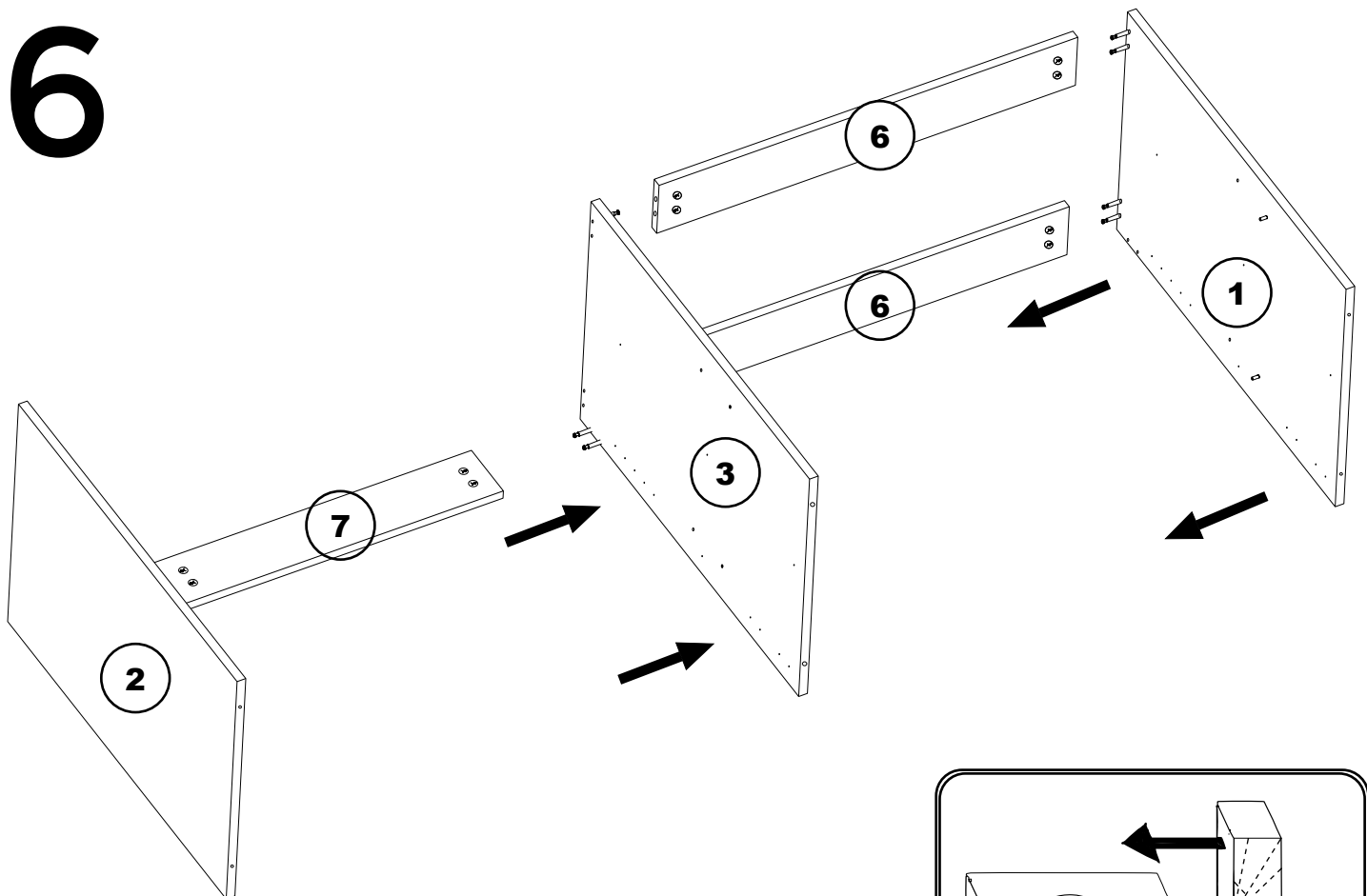
4



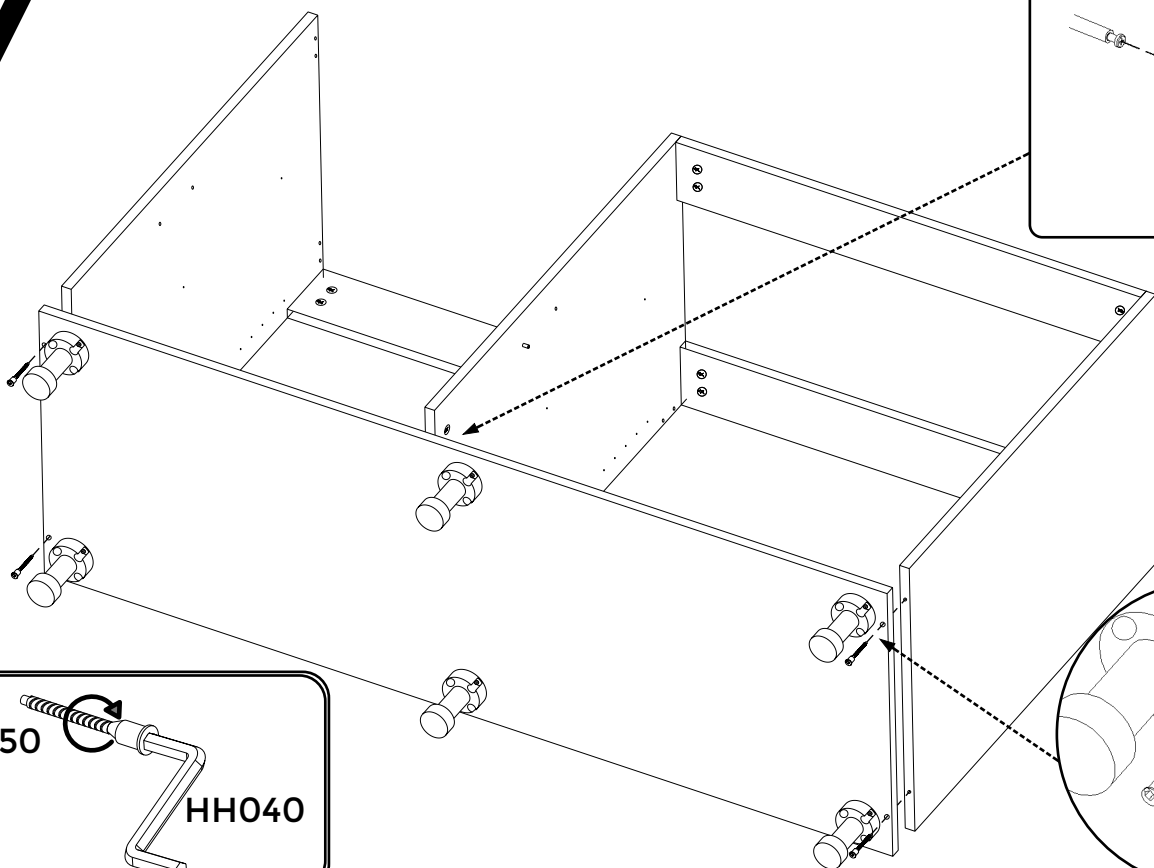
5



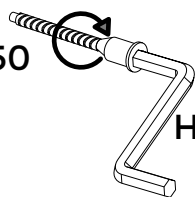
6



7



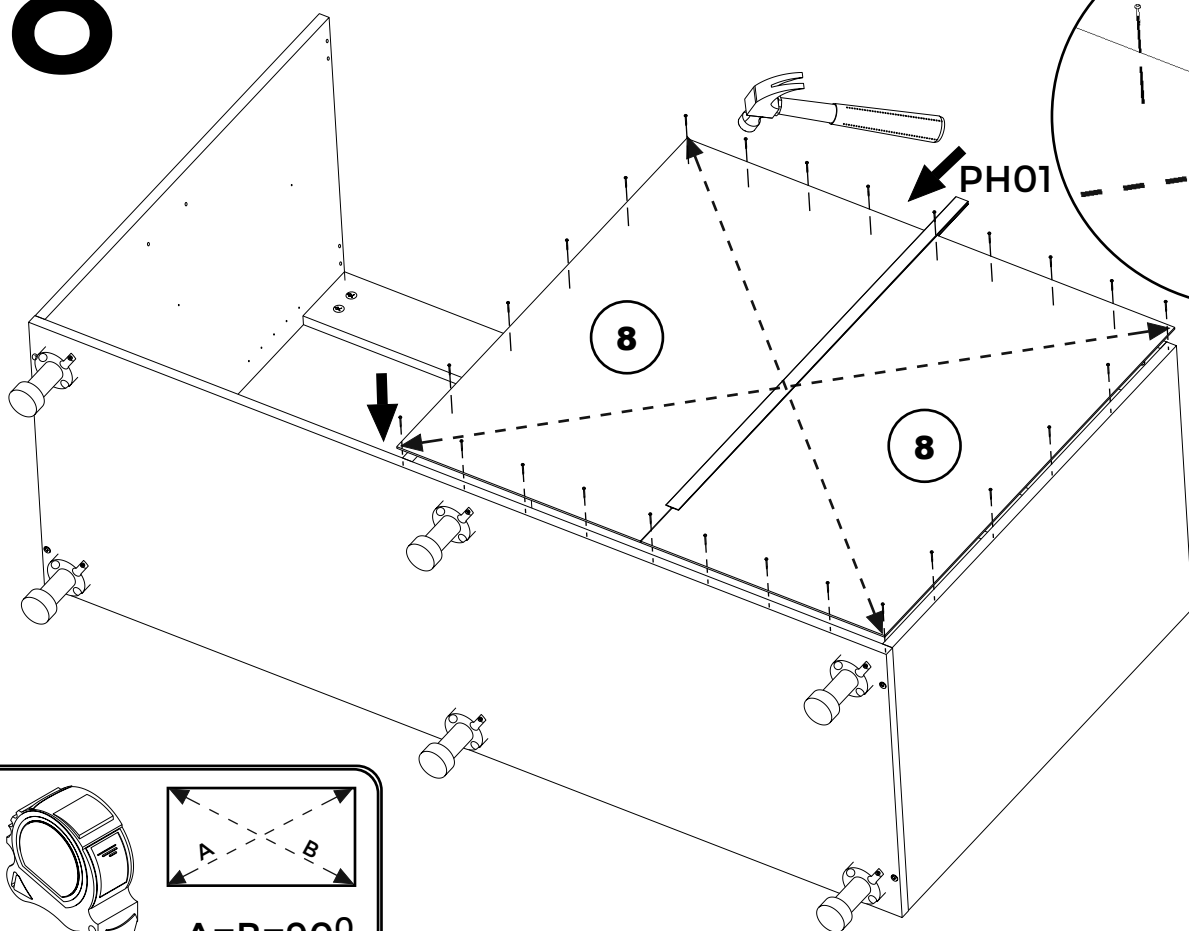
4xSE50



HH040

SE50

8

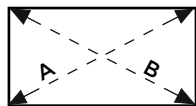


CT01

PH01

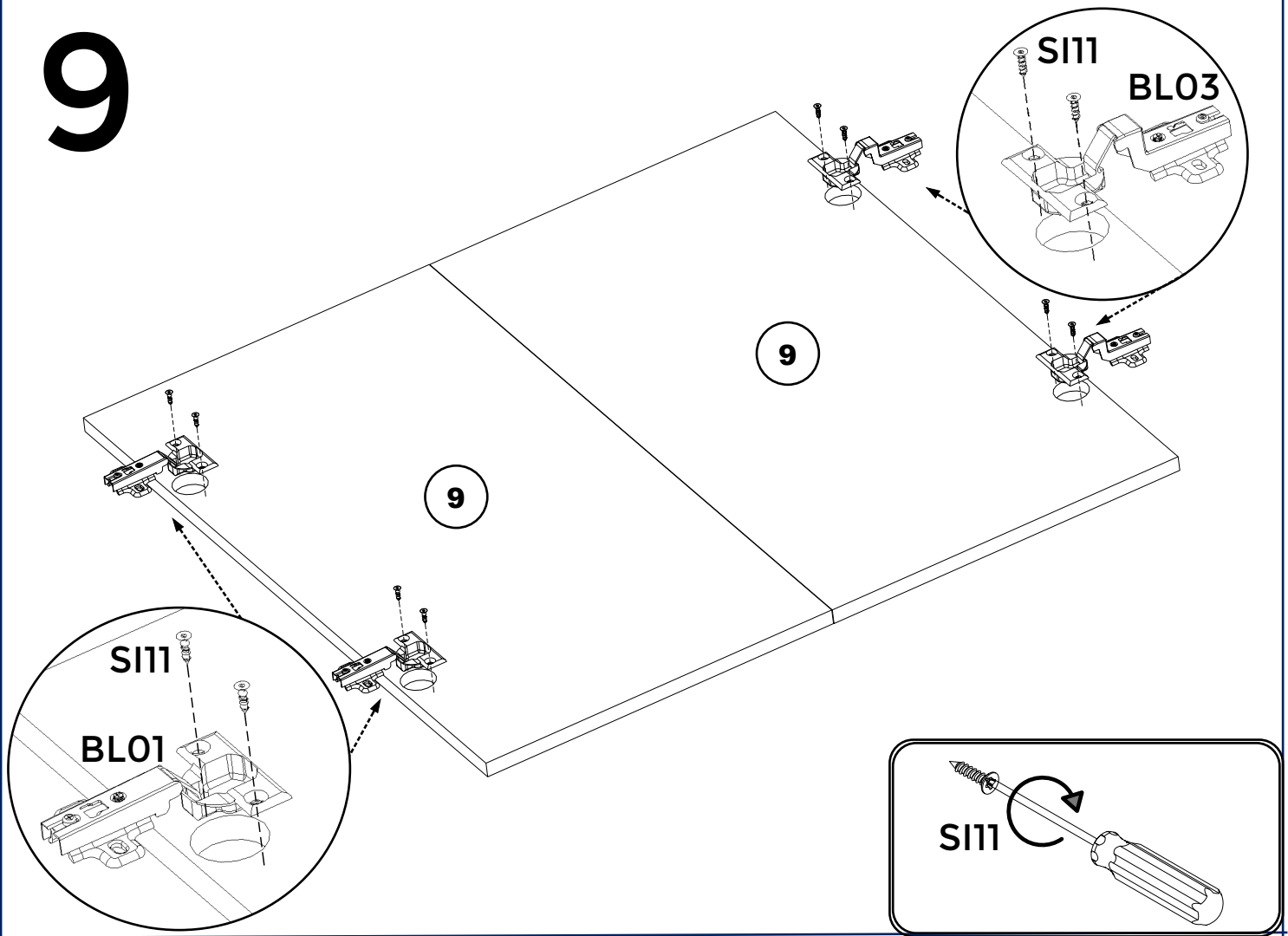
8

8

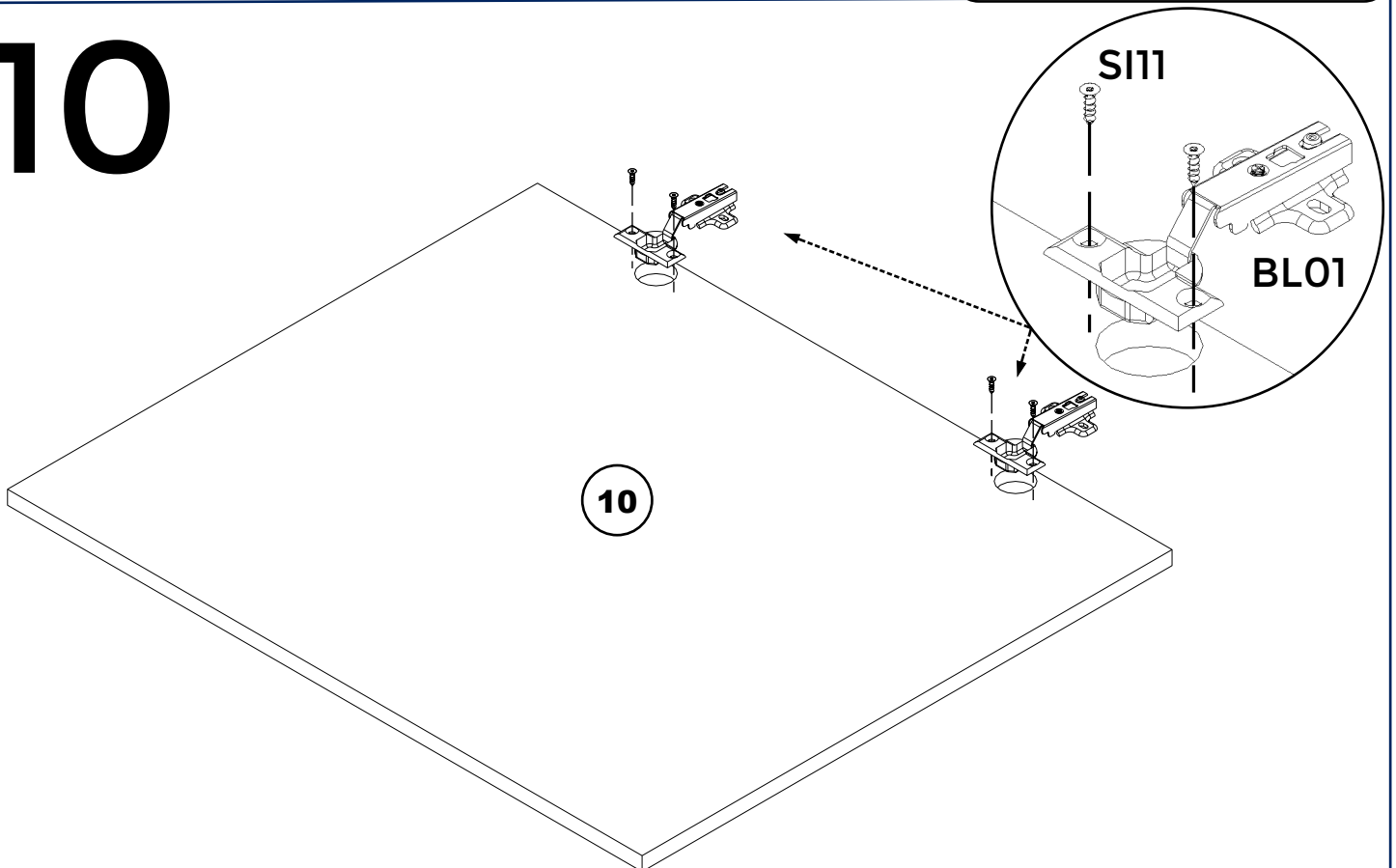


A=B=90°

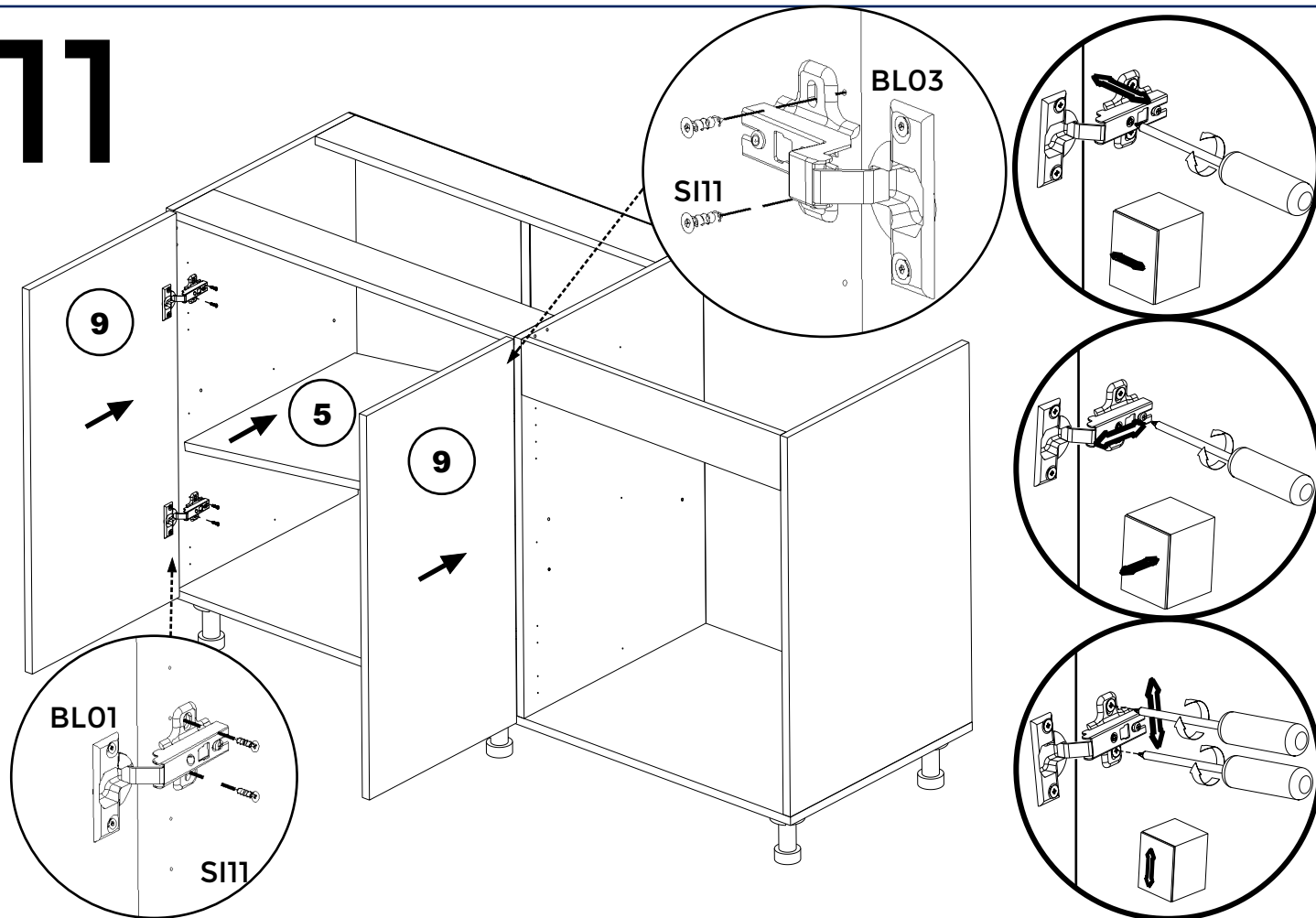
9



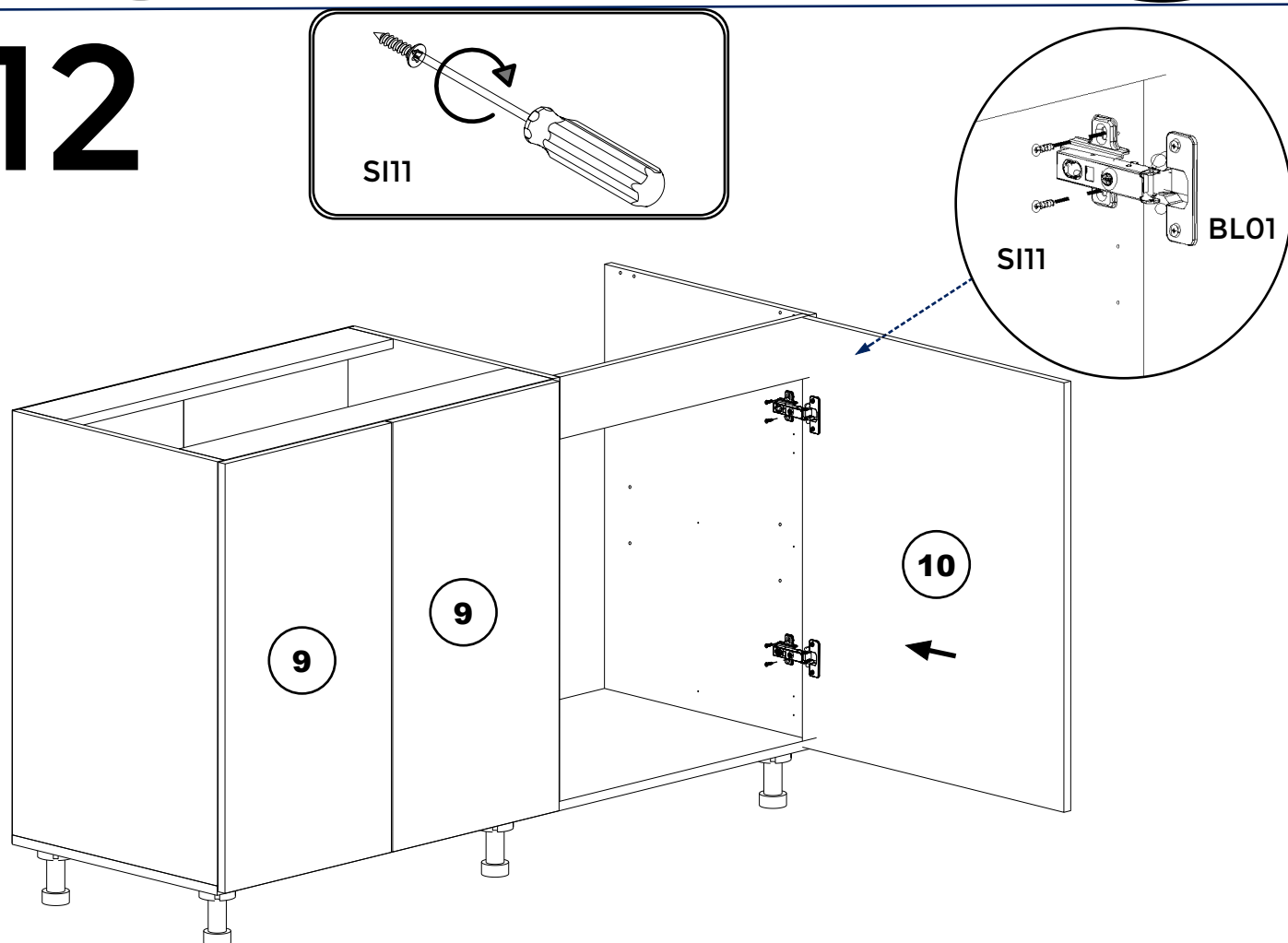
10



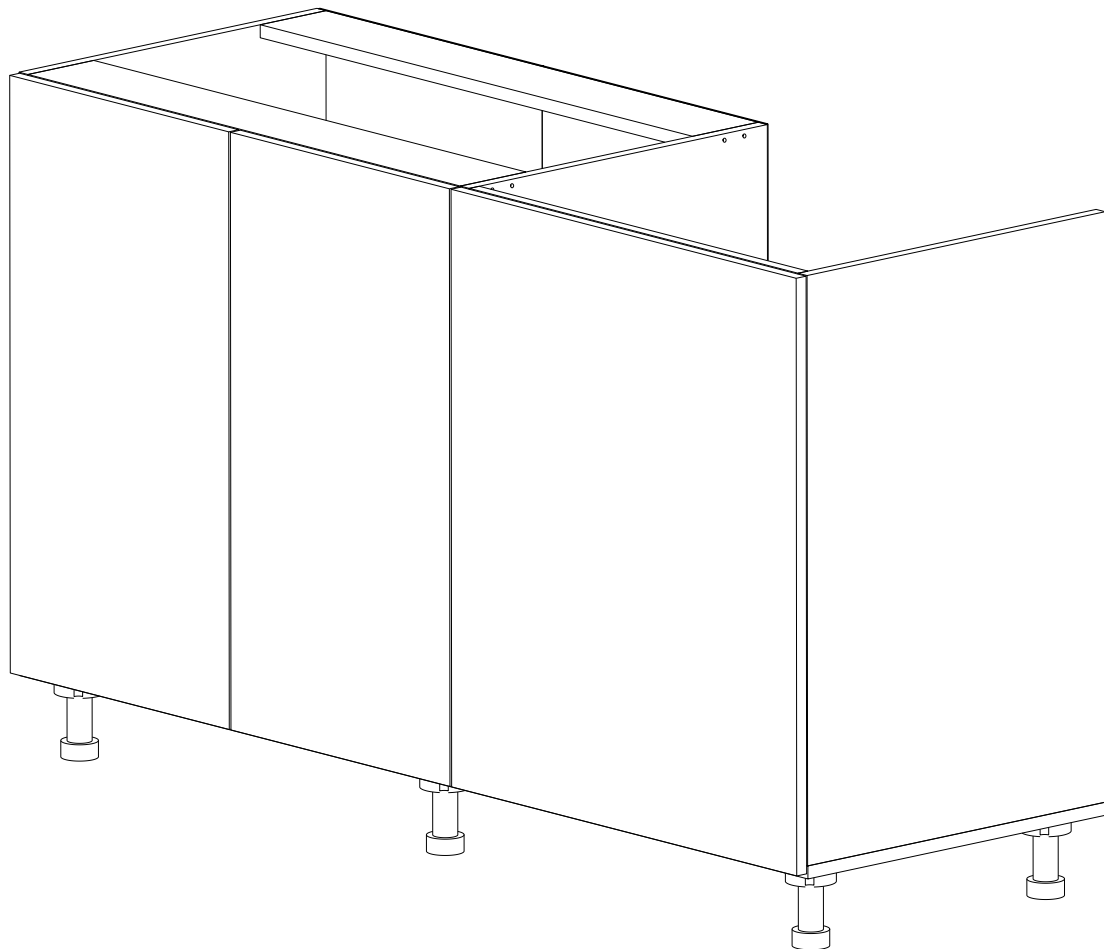
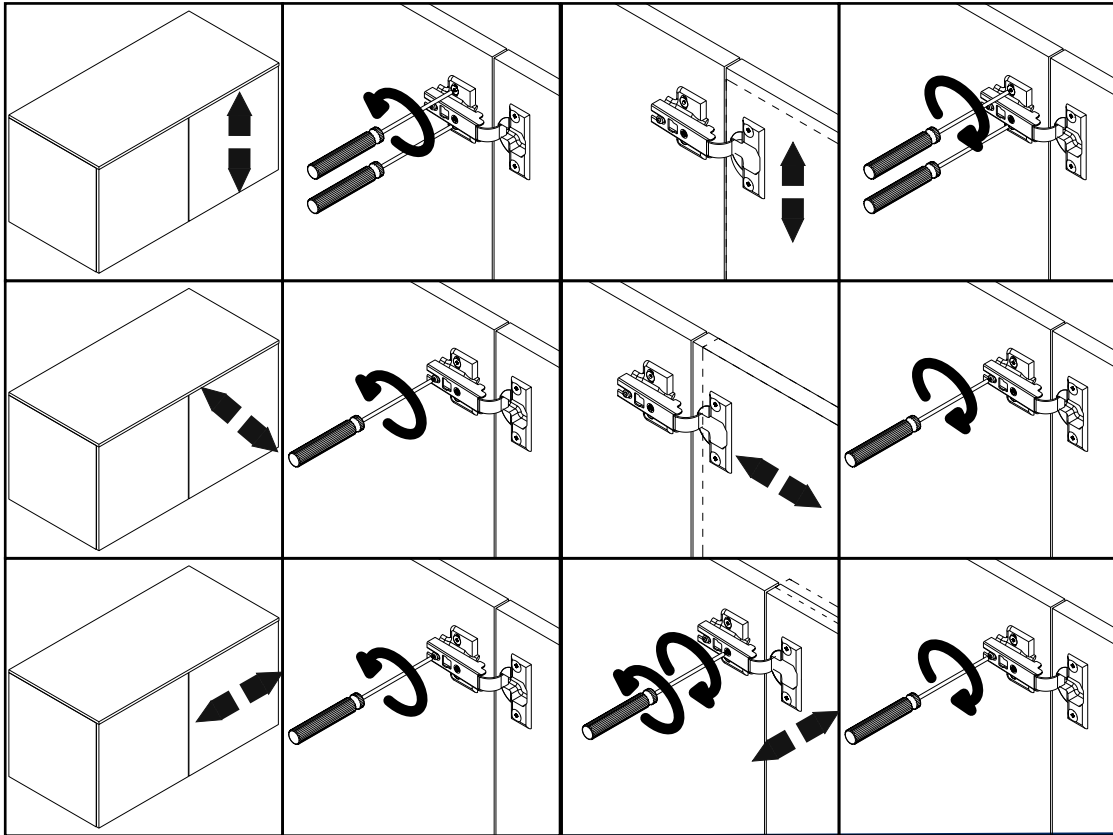
11



12



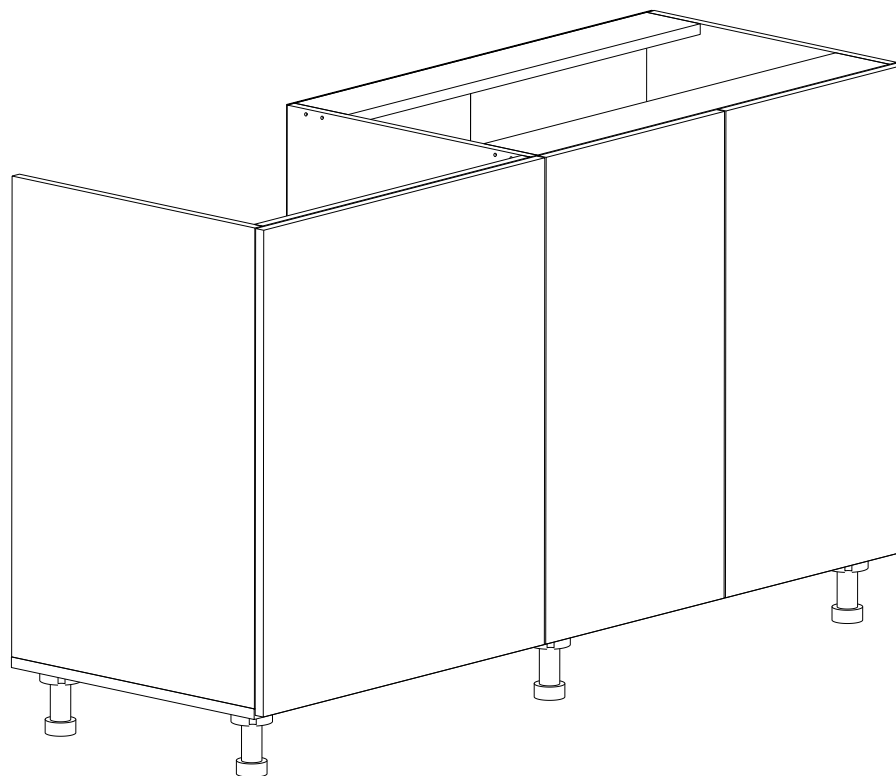
13



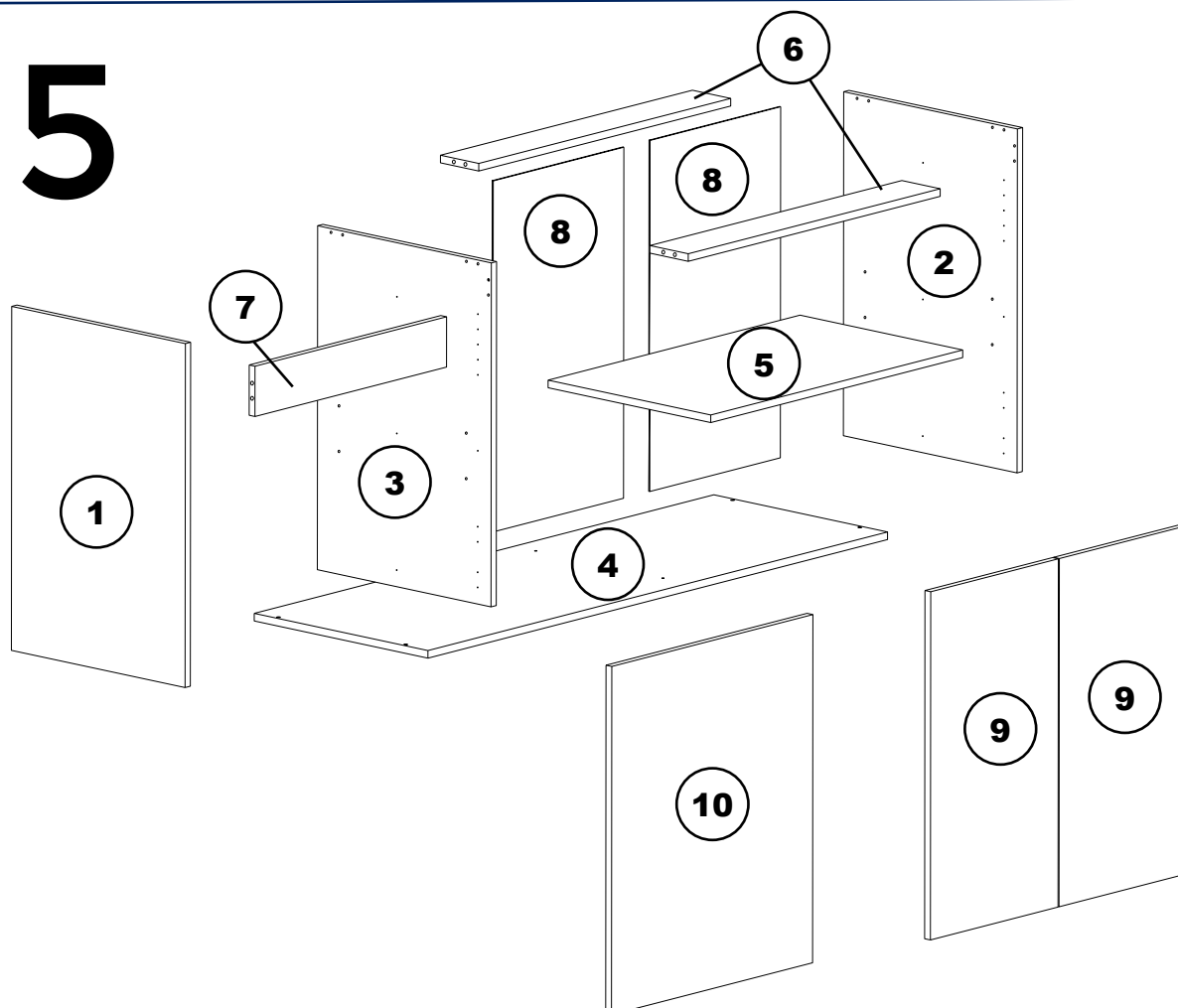
A

14

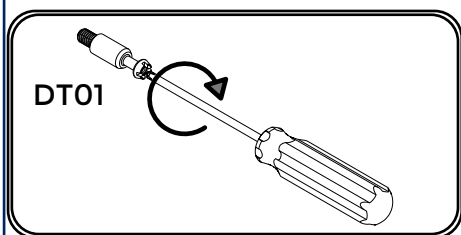
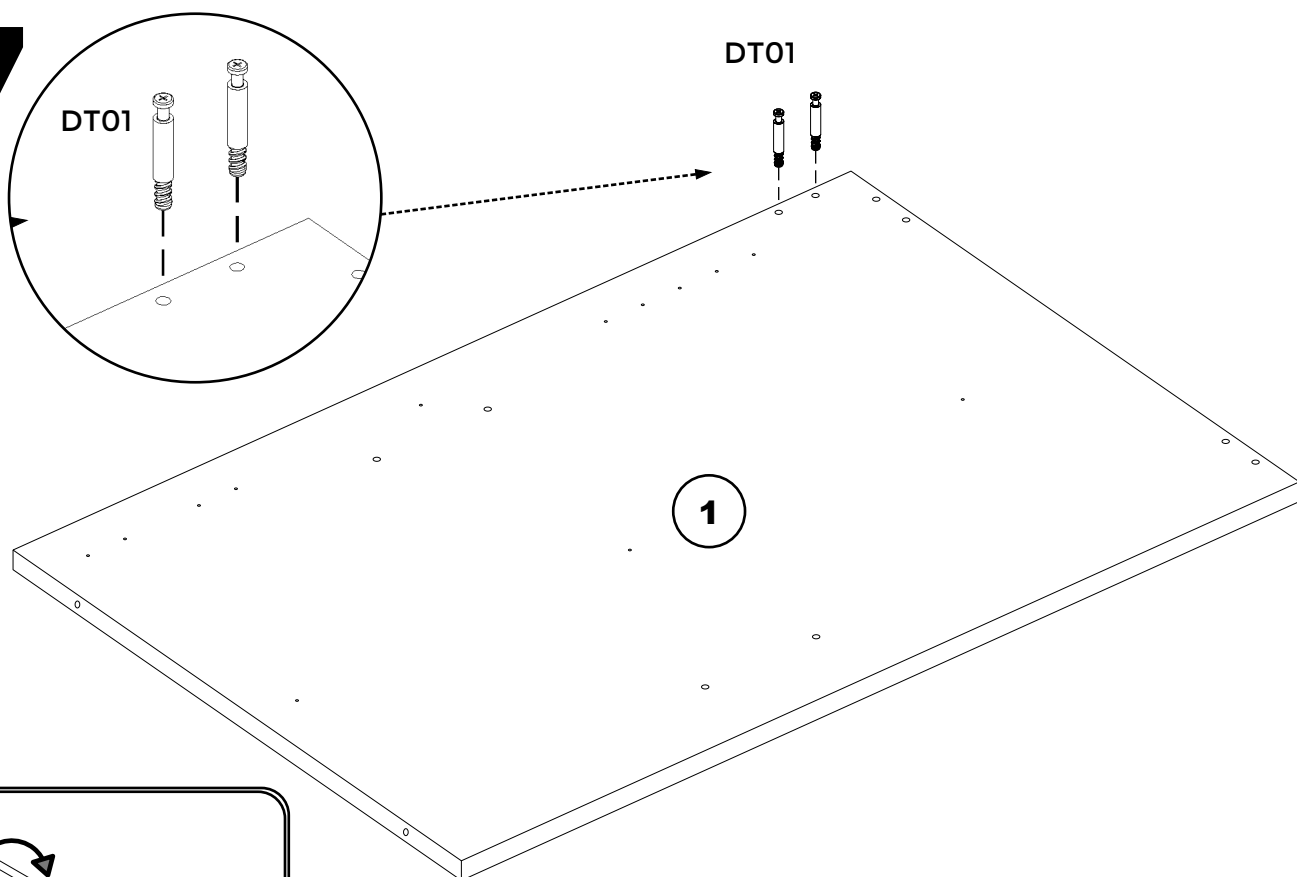
B



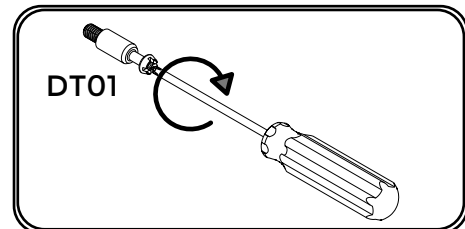
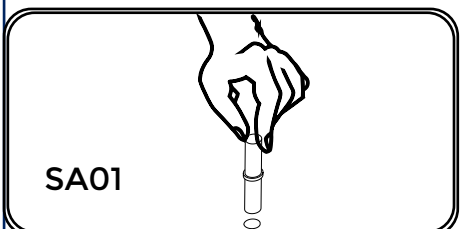
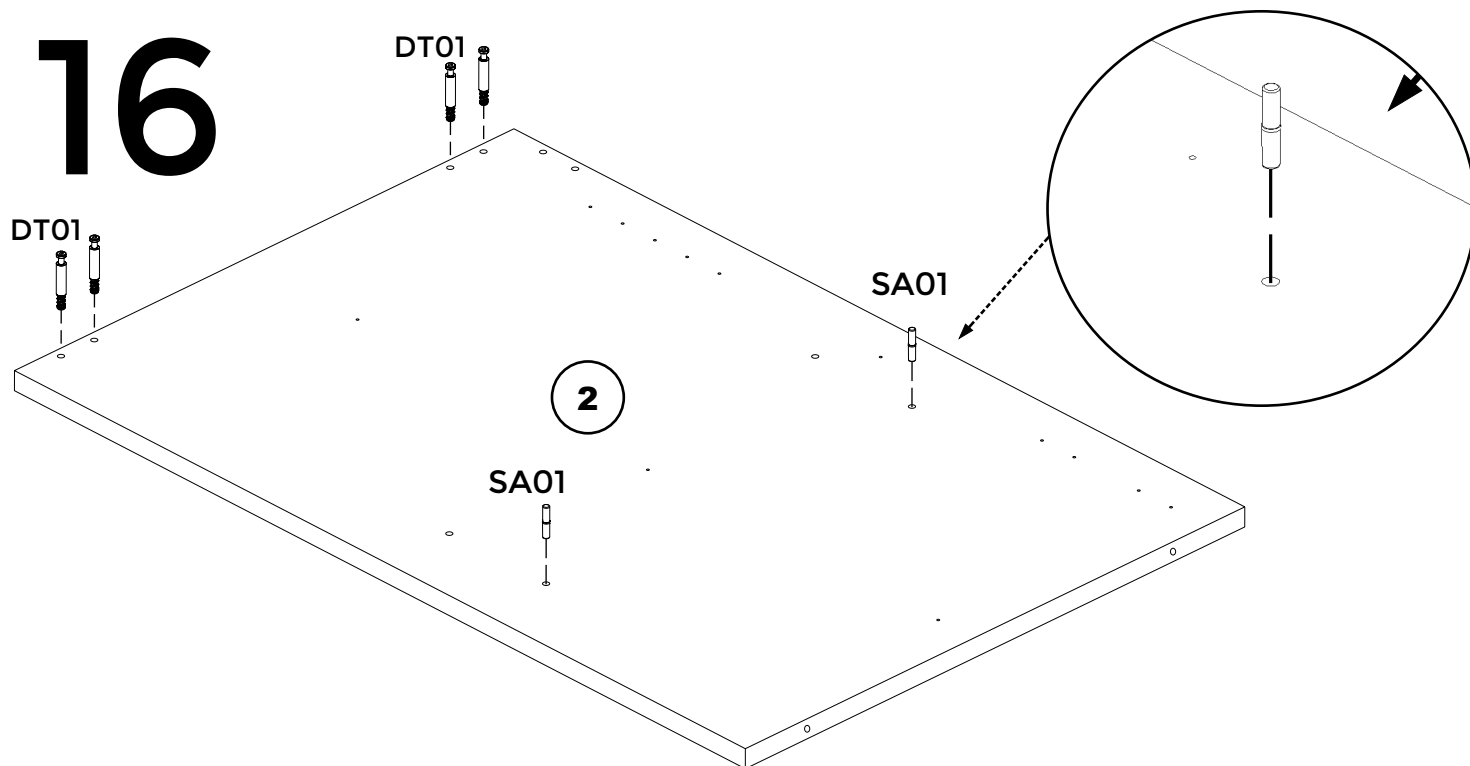
15



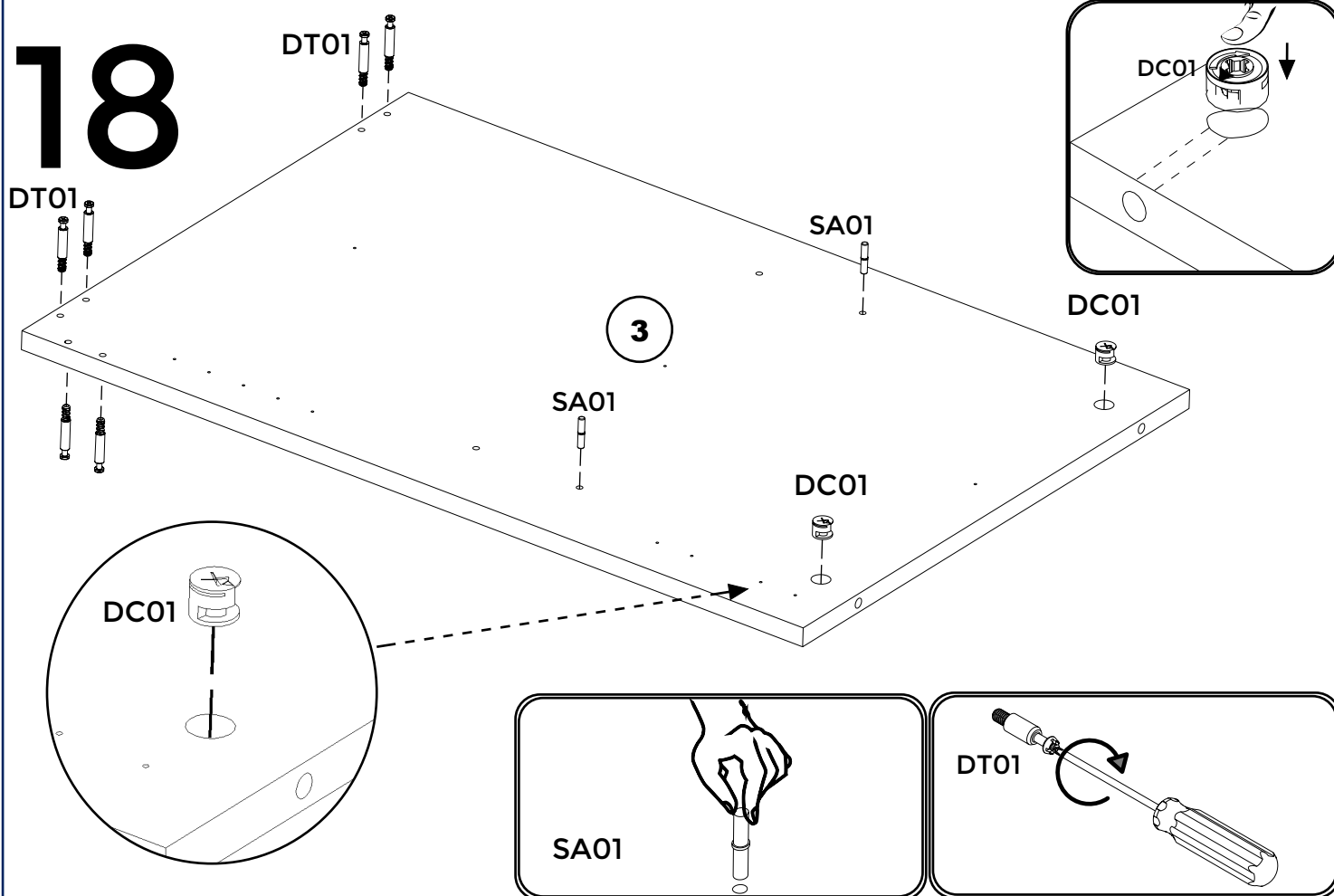
17



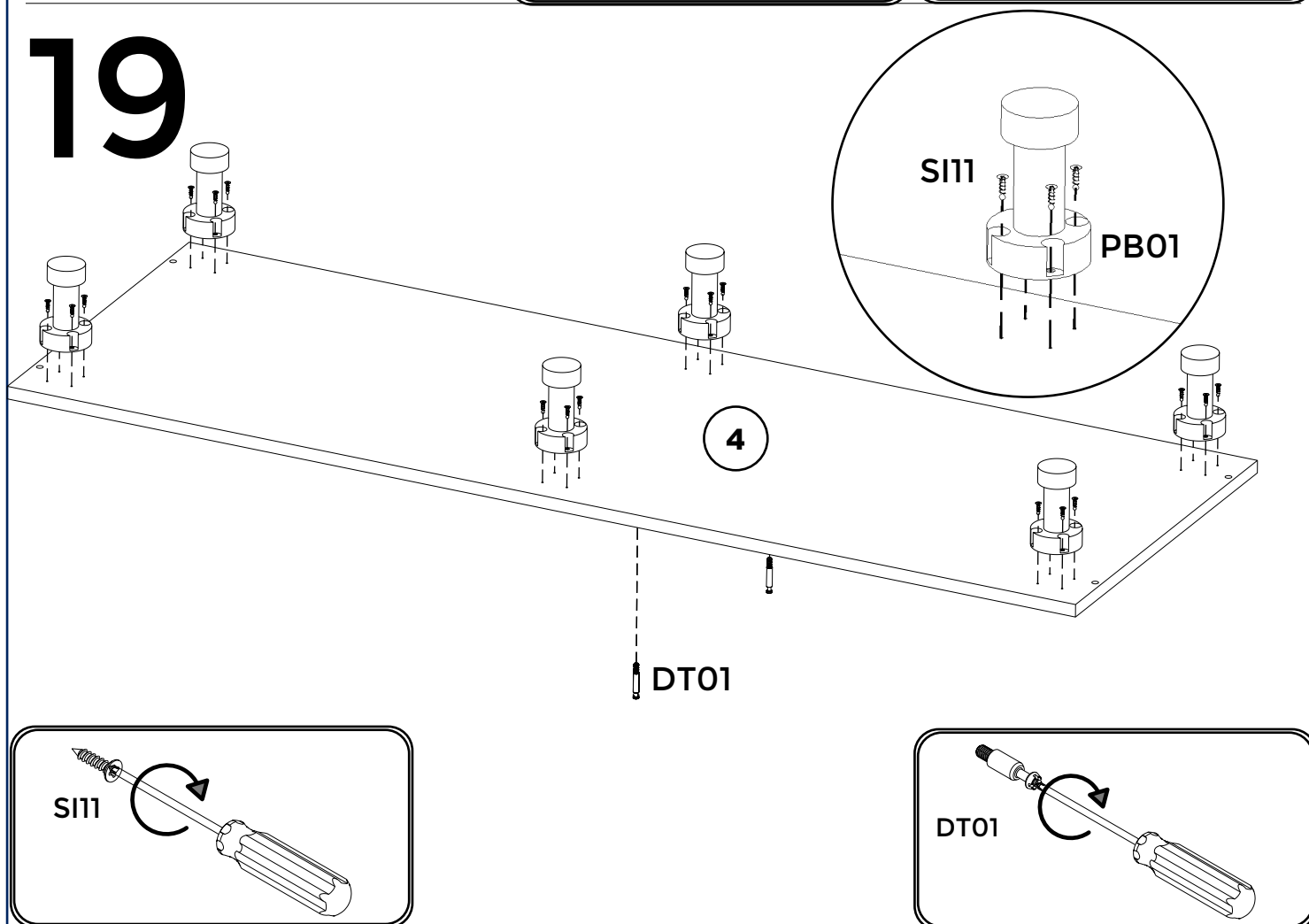
16



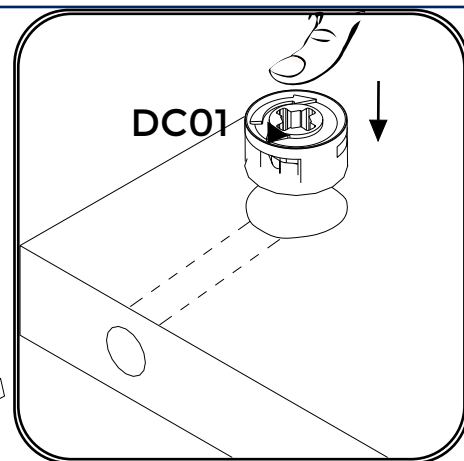
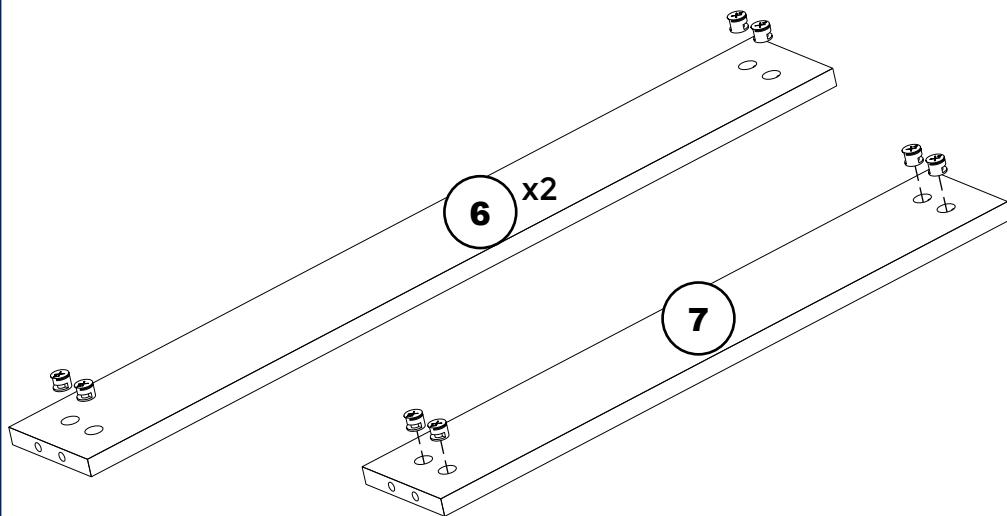
18



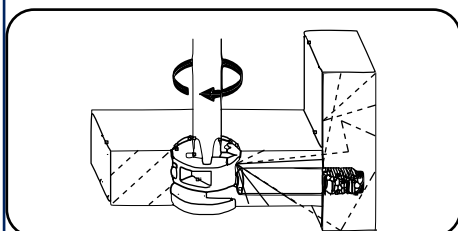
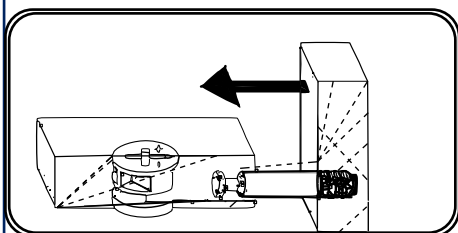
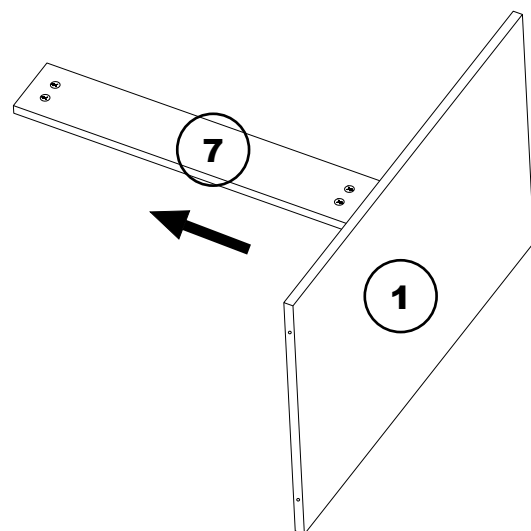
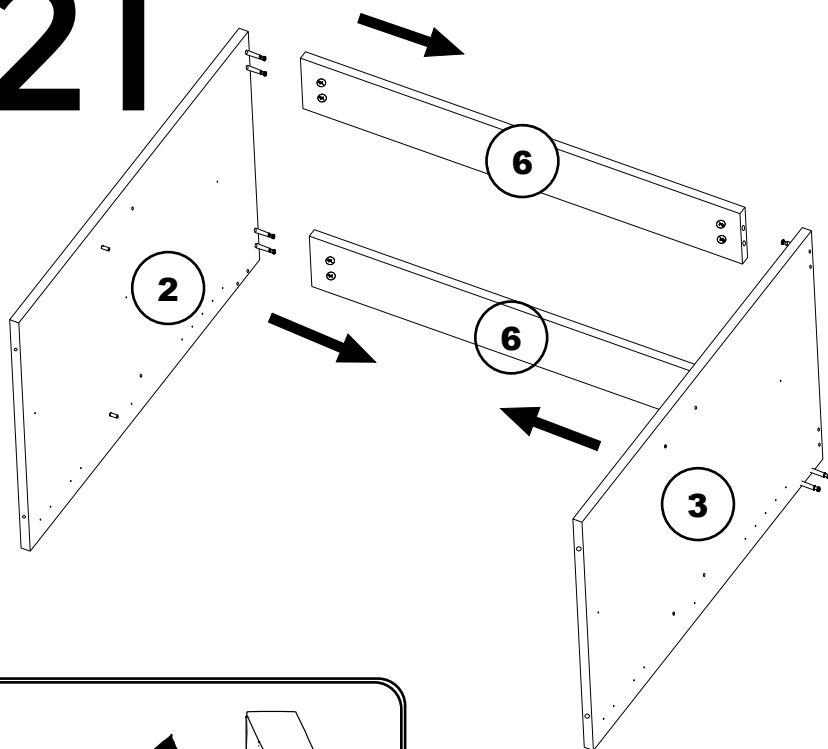
19



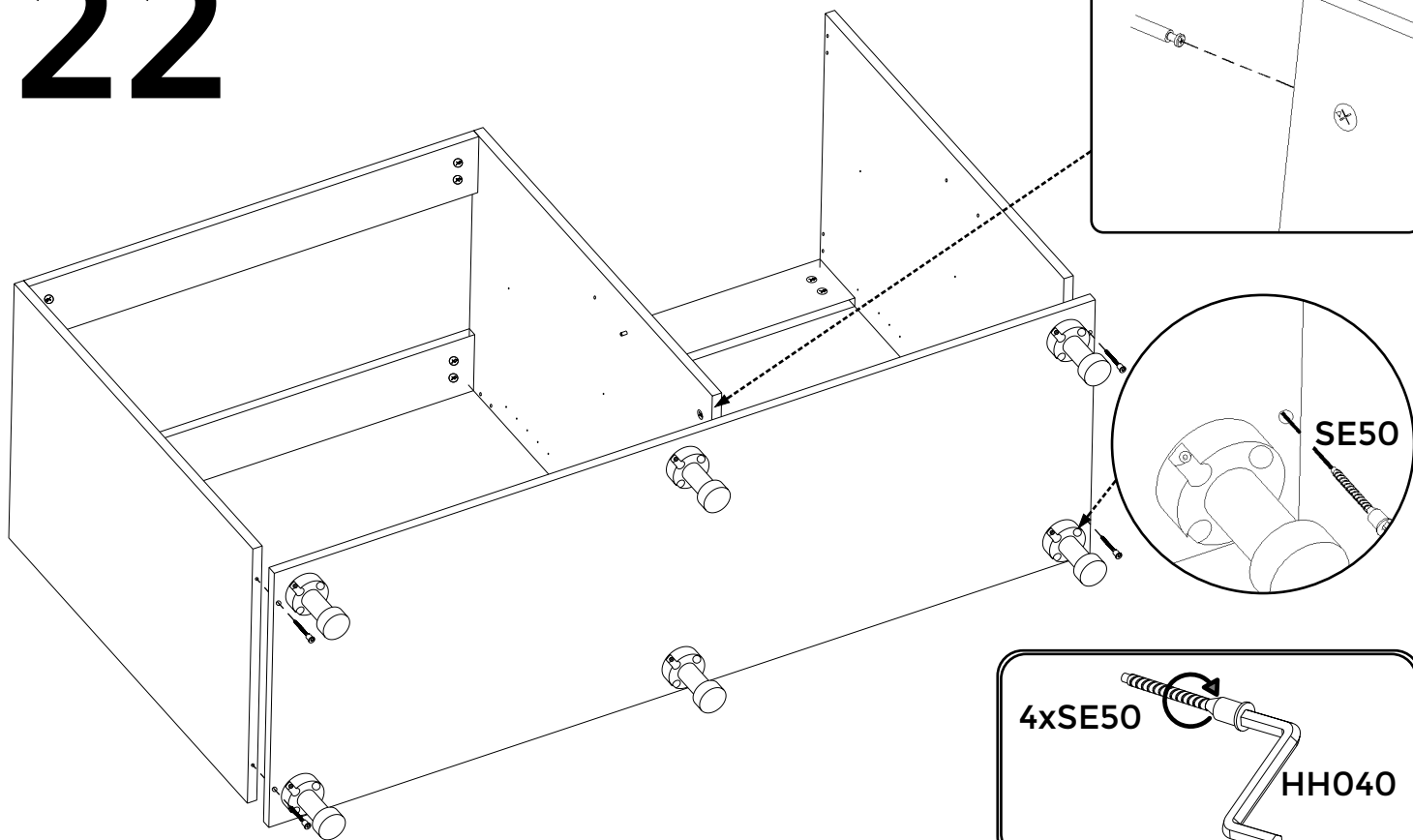
20



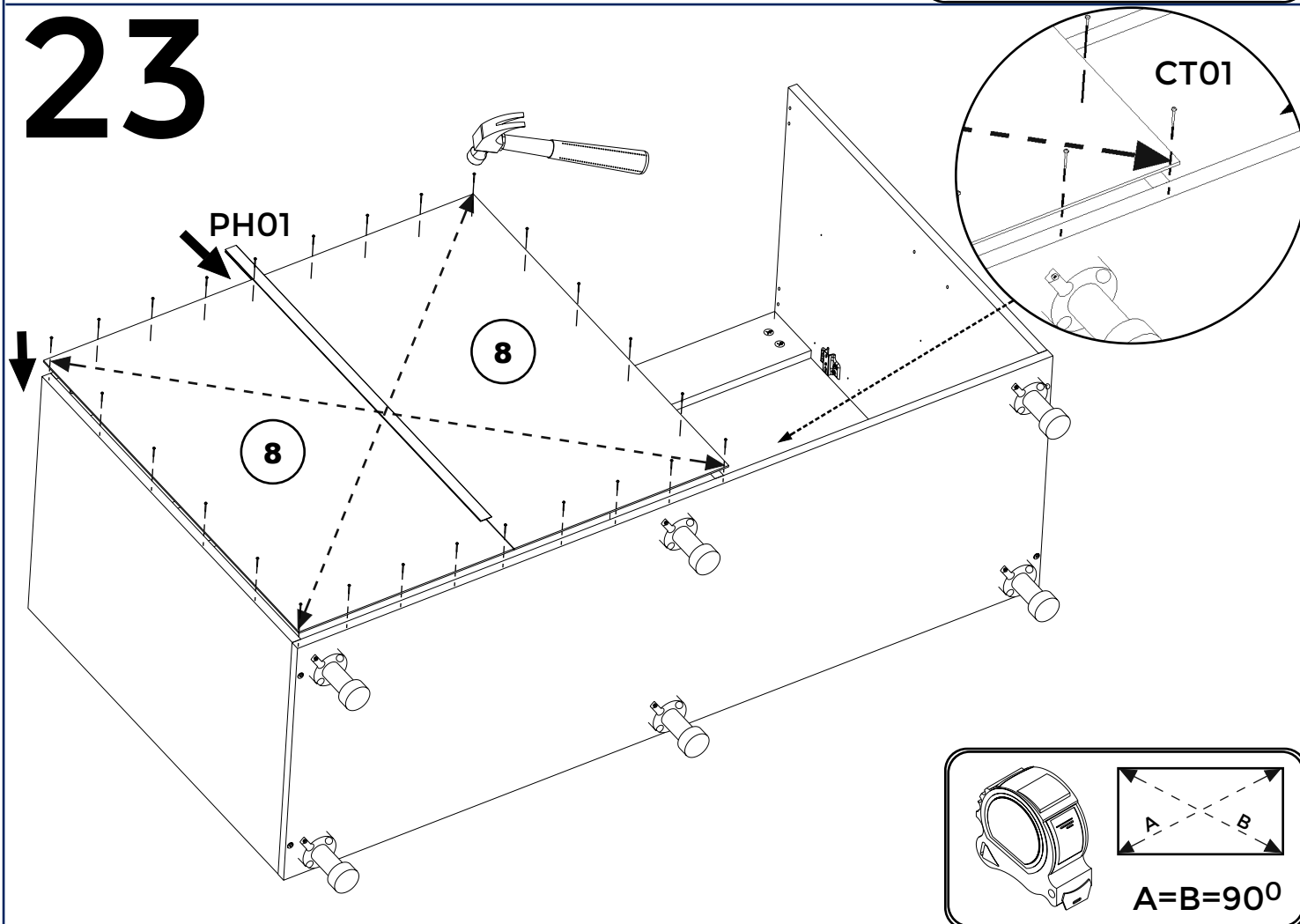
21



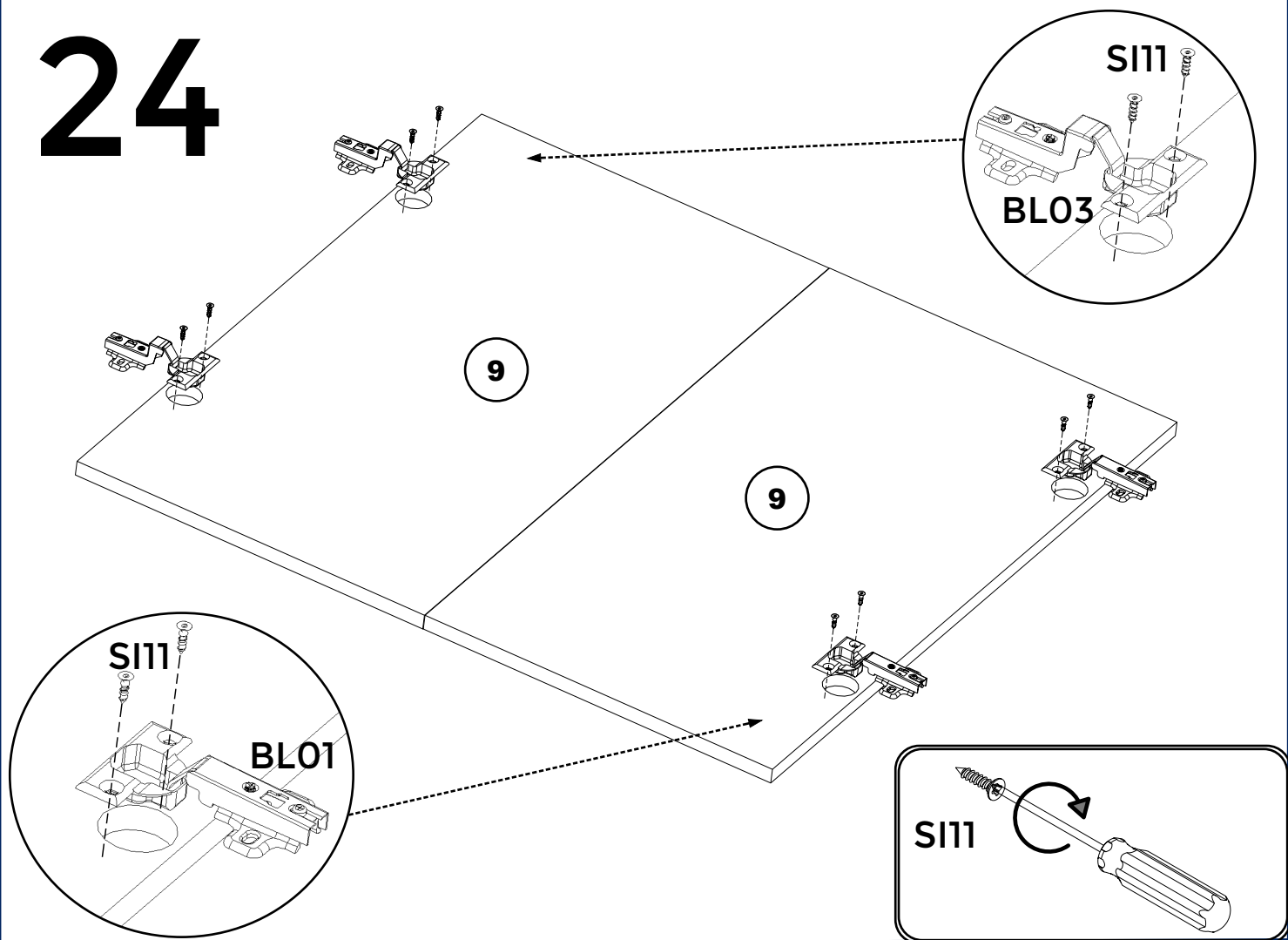
22



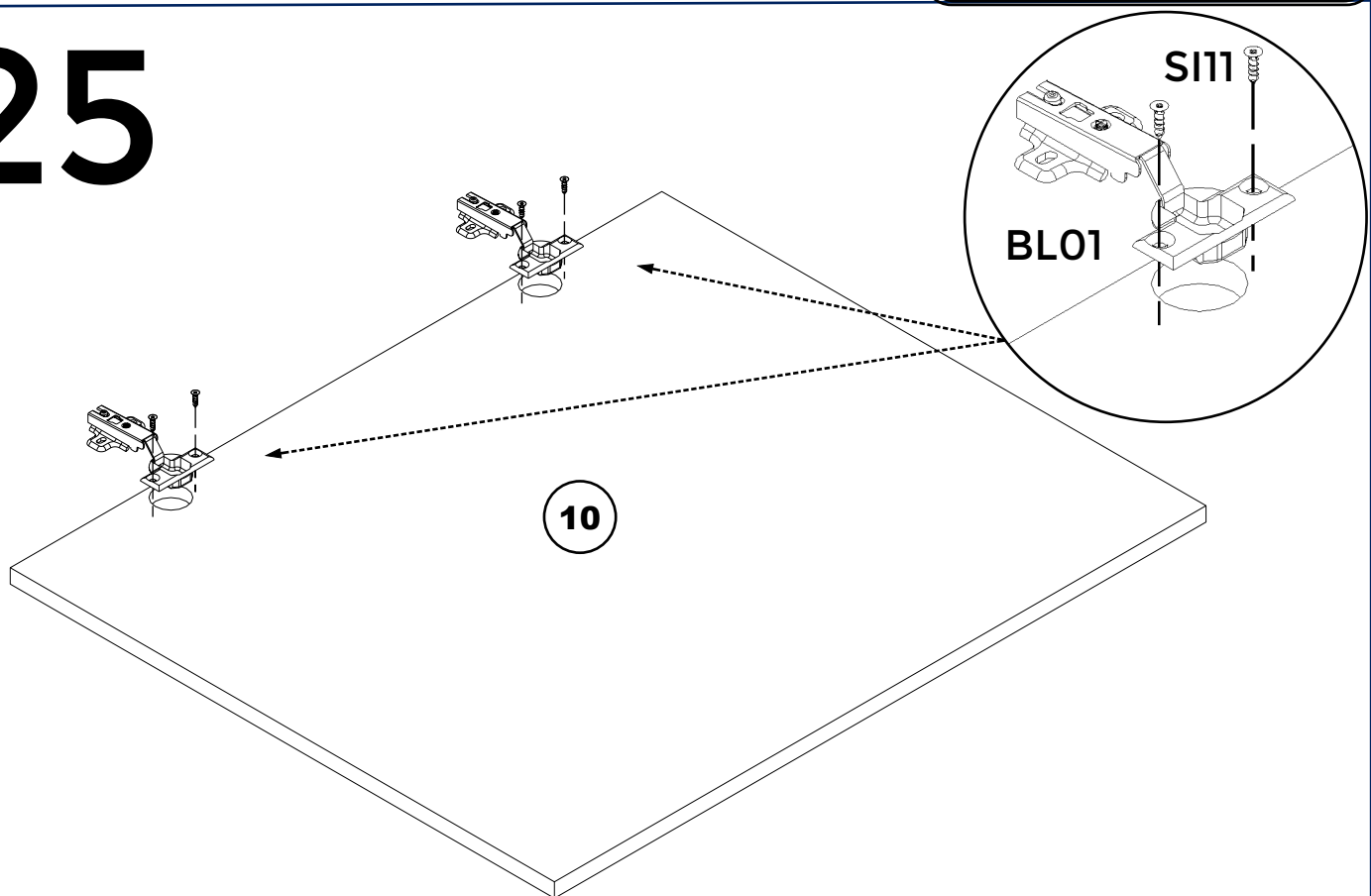
23



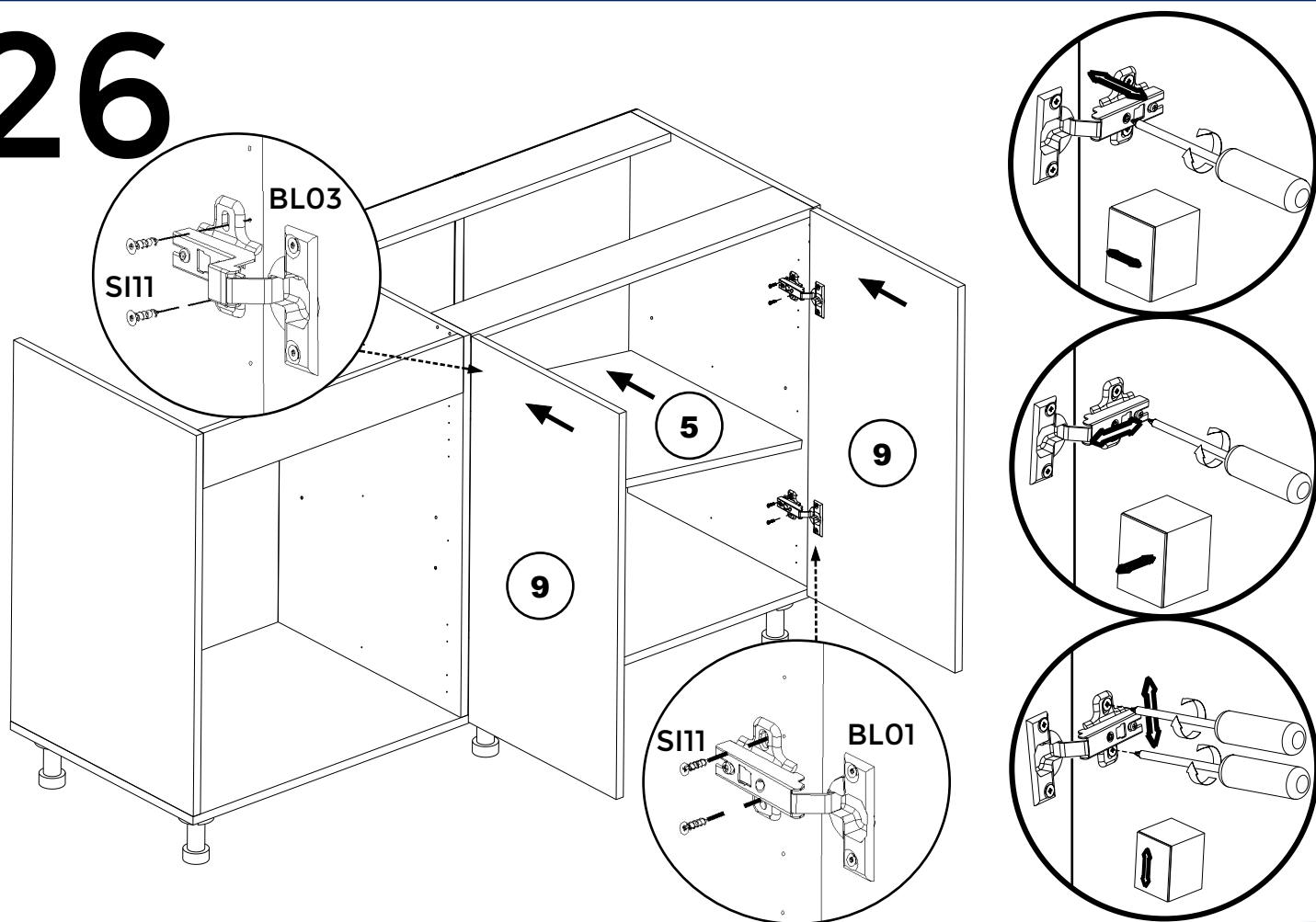
24



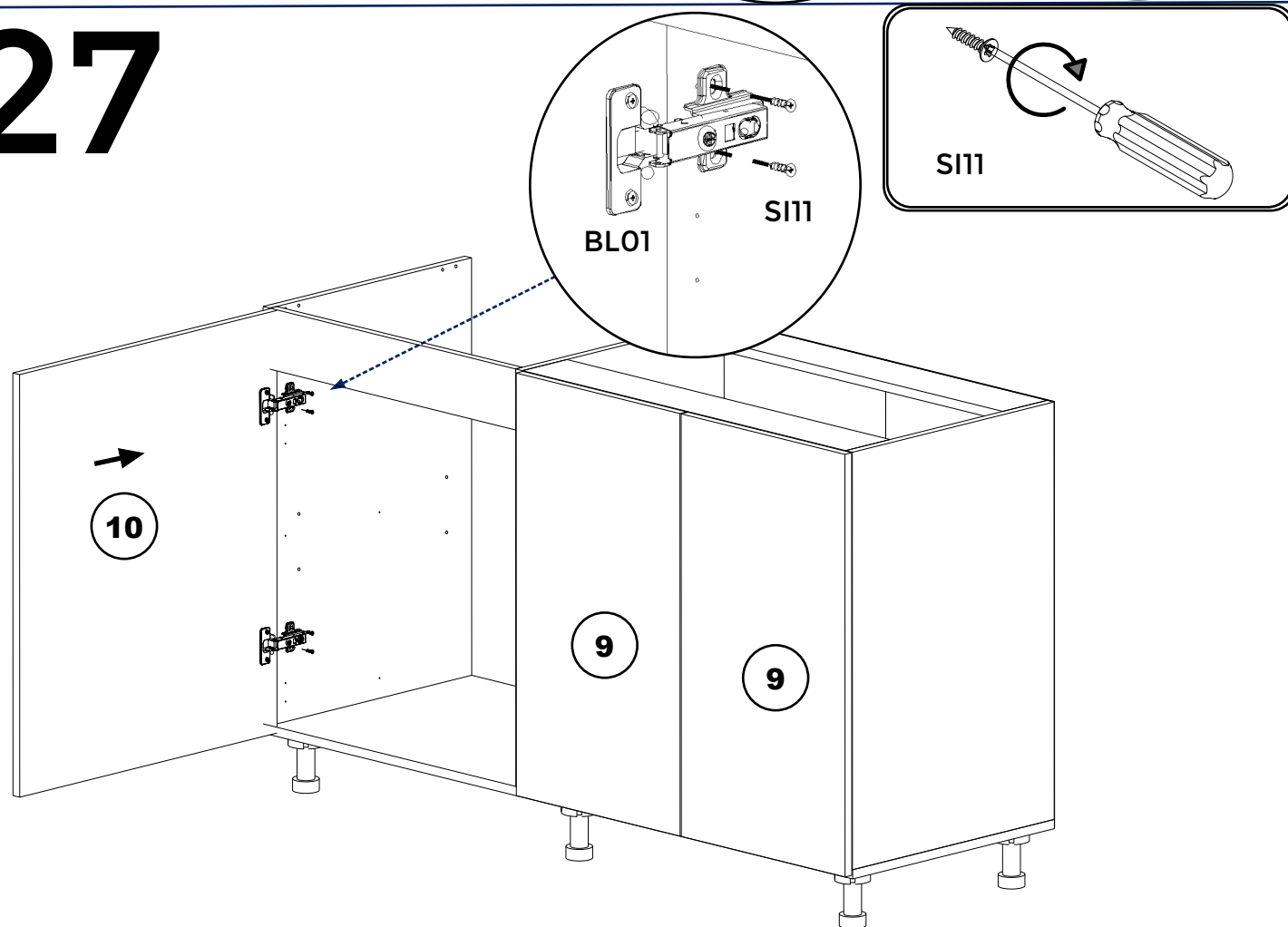
25



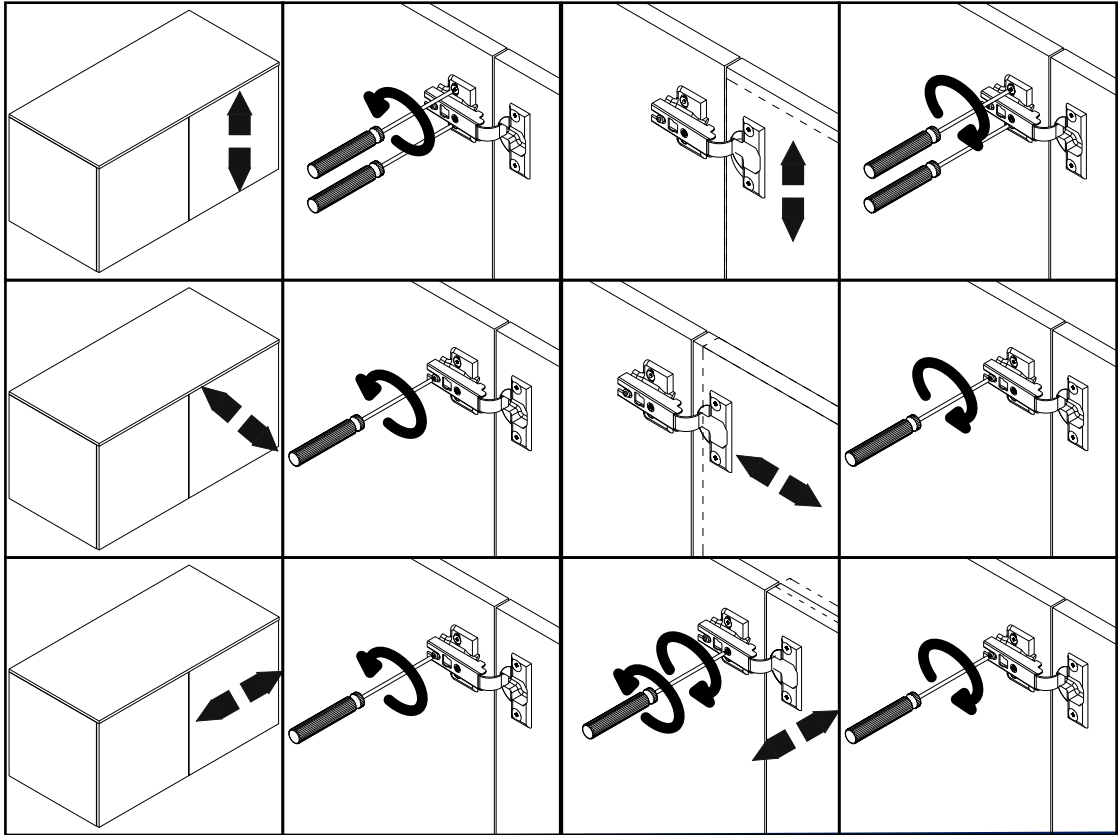
26



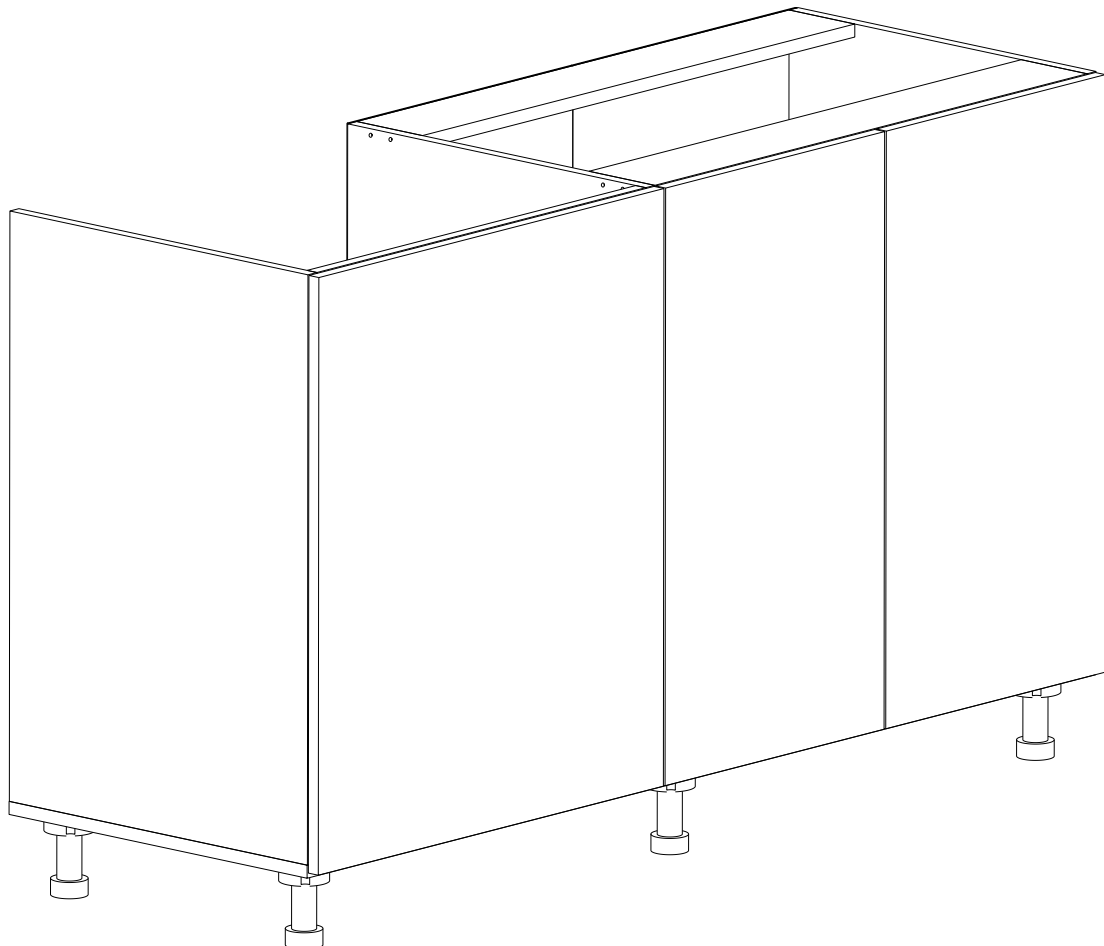
27

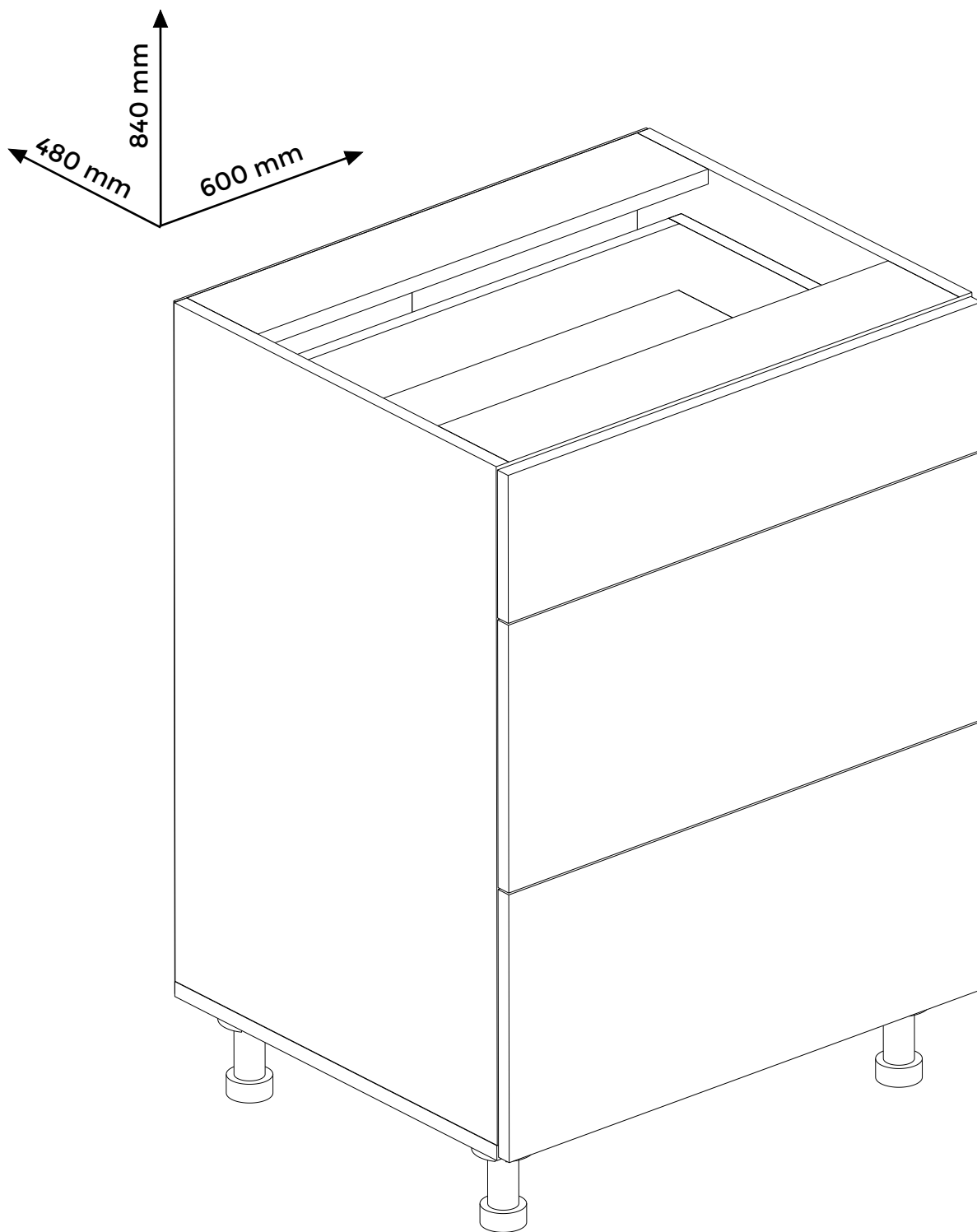


28



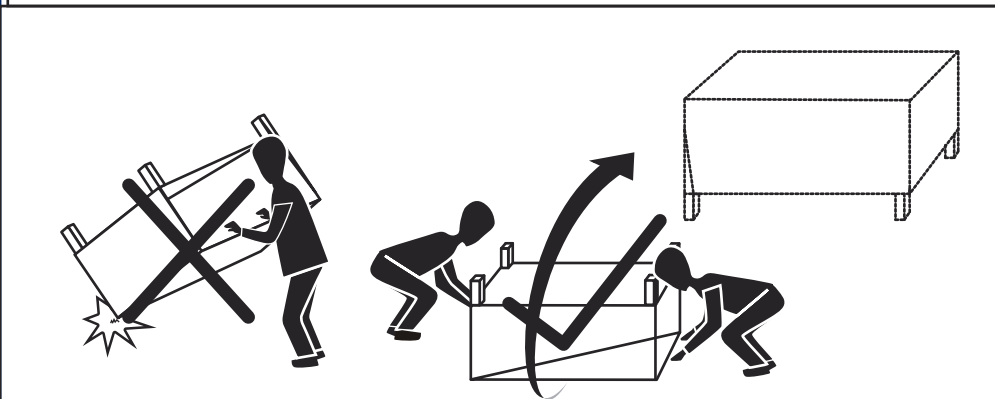
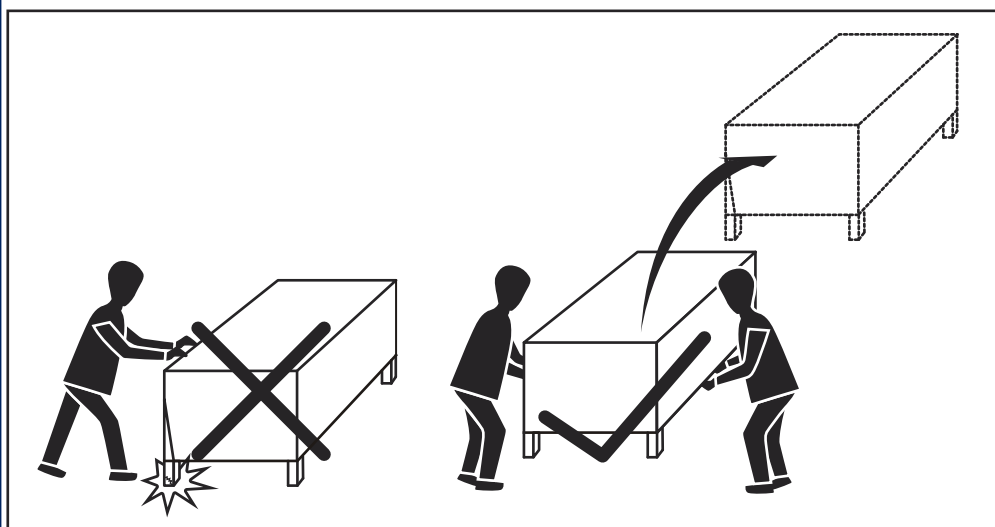
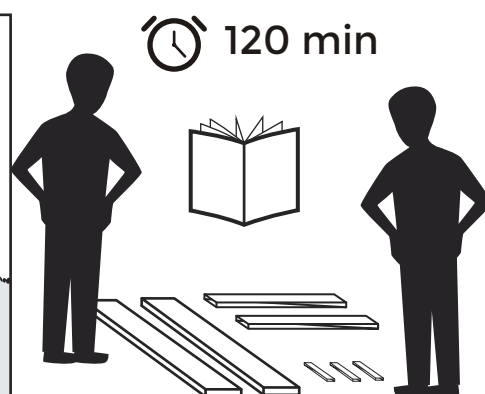
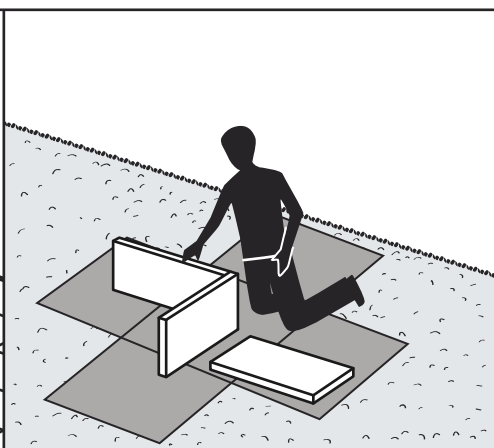
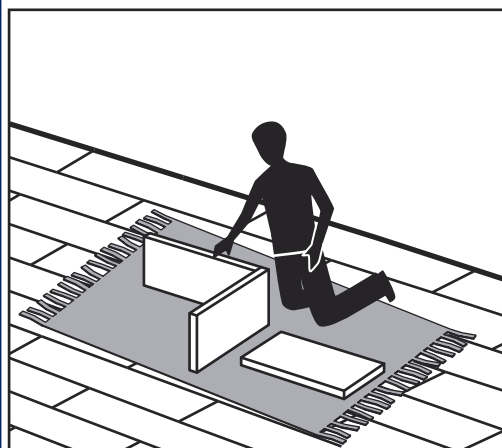
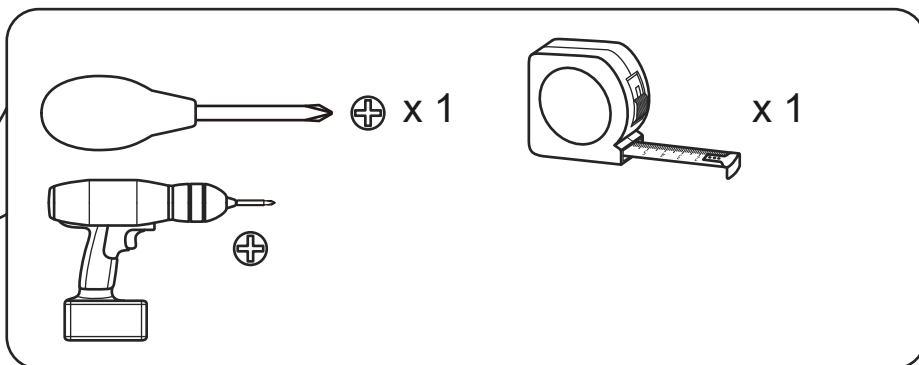
B

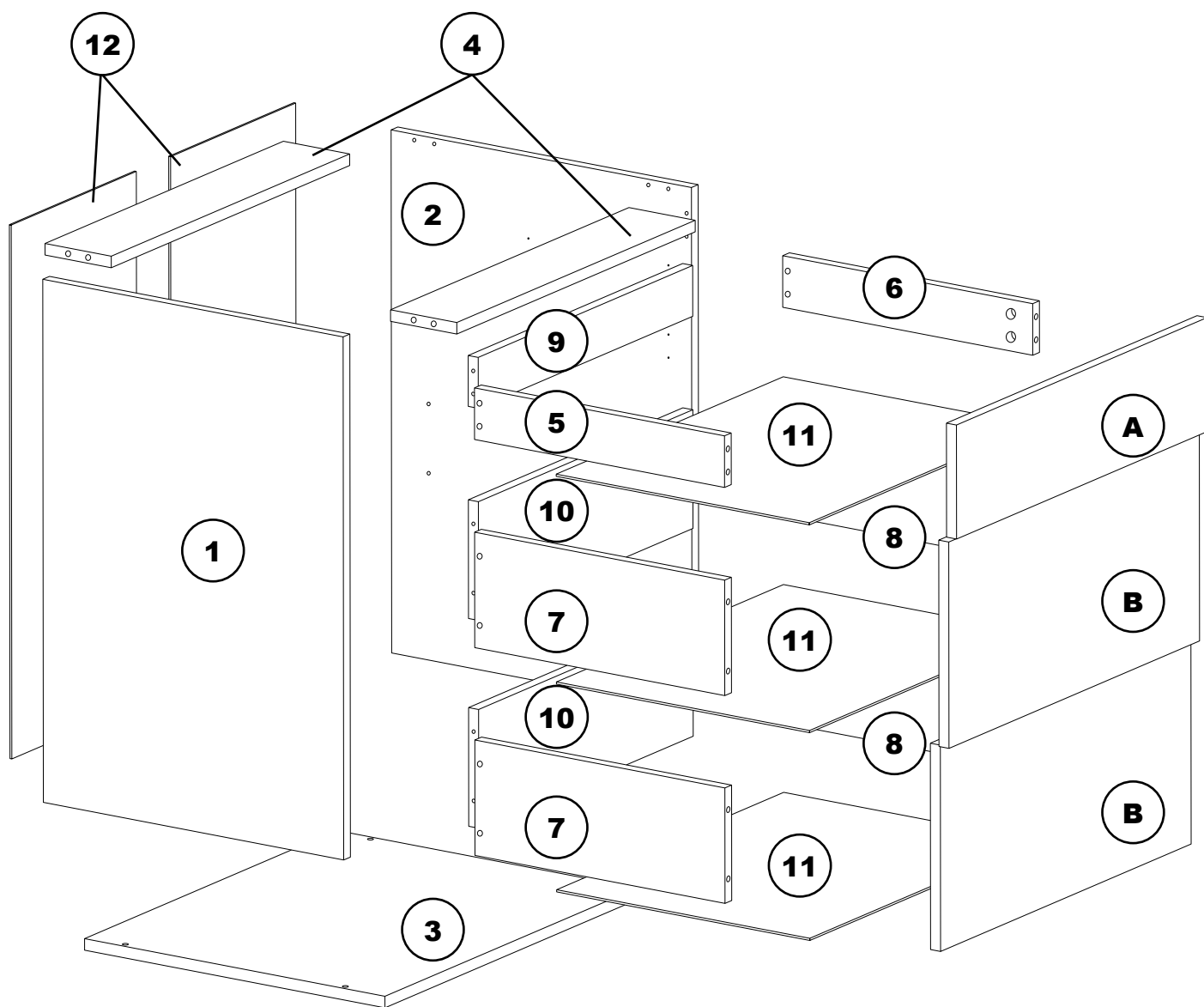




MATERIALE

Fronturi PAL
Carcasa Pal 16 mm
Spate HDF
Cant ABS 0.5 si 1 mm
Elemente de imbinare metalice si din lemn
Glisiere CU ROLE
Manere plastic
Picioare plastic

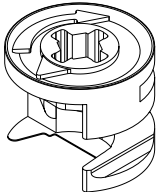
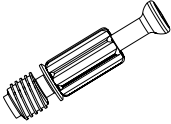
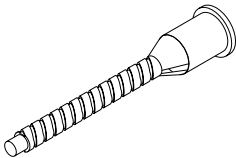

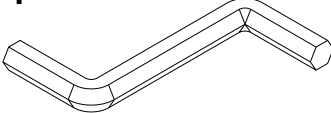
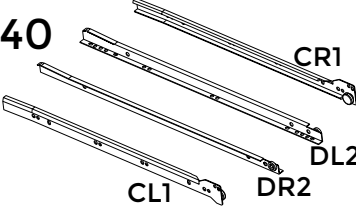
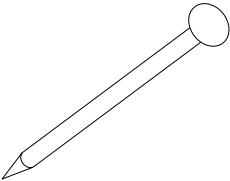
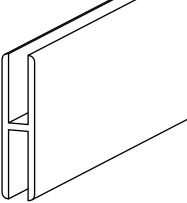
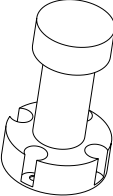




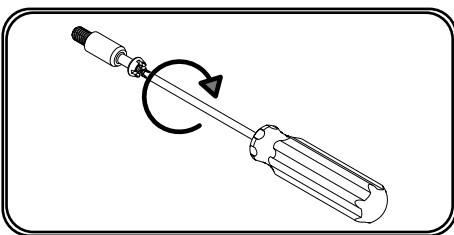
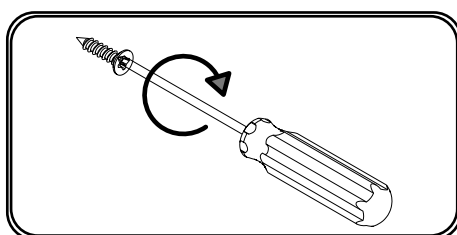
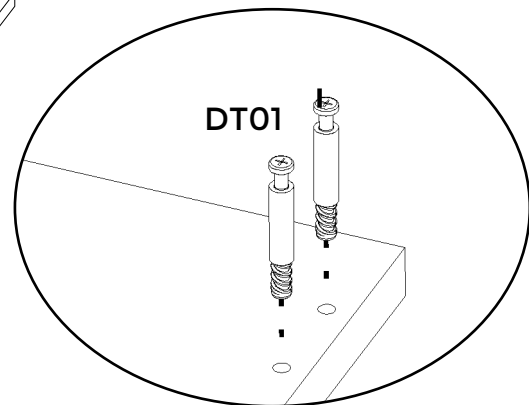
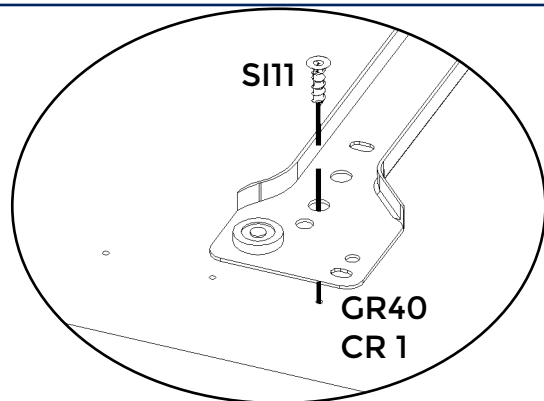
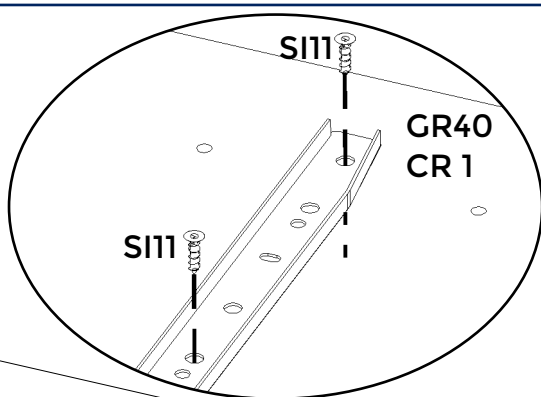
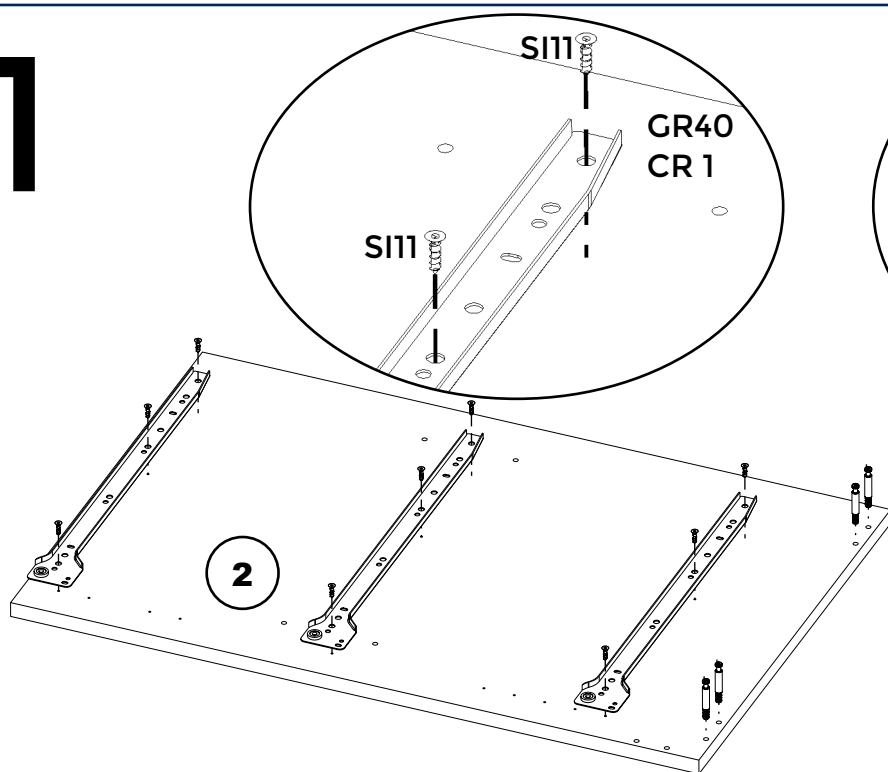
Nr	COD	BuC	Nr	COD	BuC	Nr	COD	BuC
1	0101	1	7	0203	2	A	7033	1
2	0102	1	8	0204	2	B	7043	2
3	0501	1	9	0701	1			
4	0502	2	10	0702	2			
5	0201	1	11	0603	3			
6	0202	1	12	0504	2			

Bucatarii

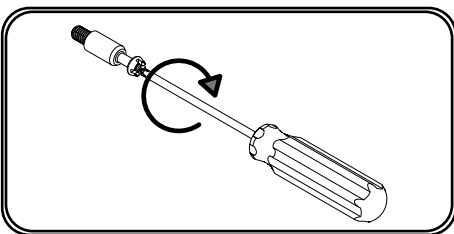
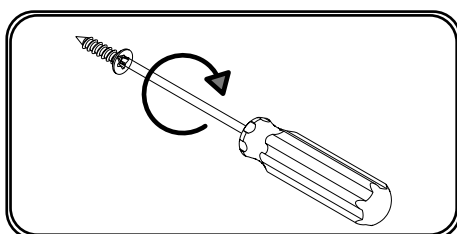
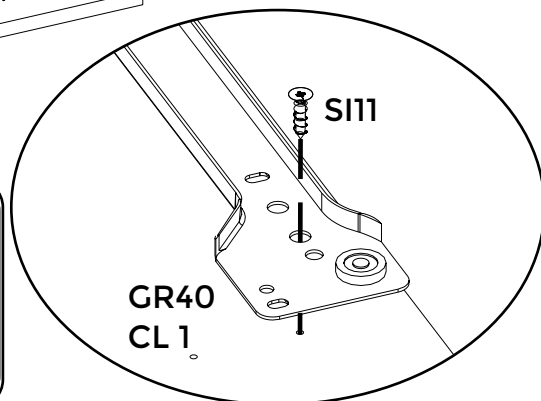
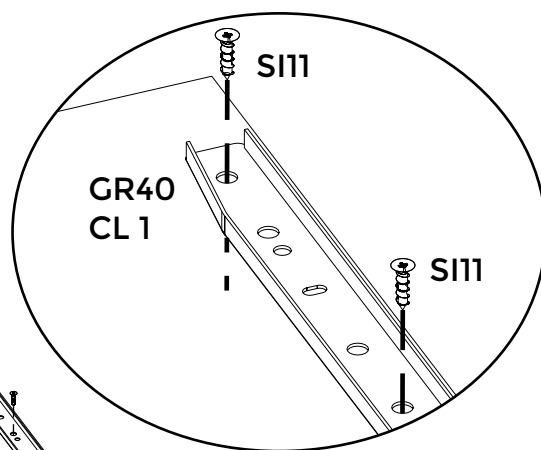
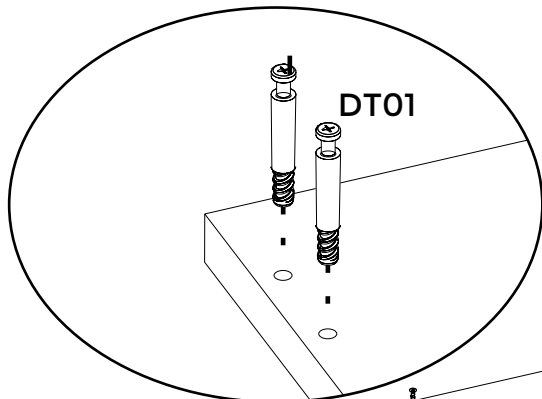
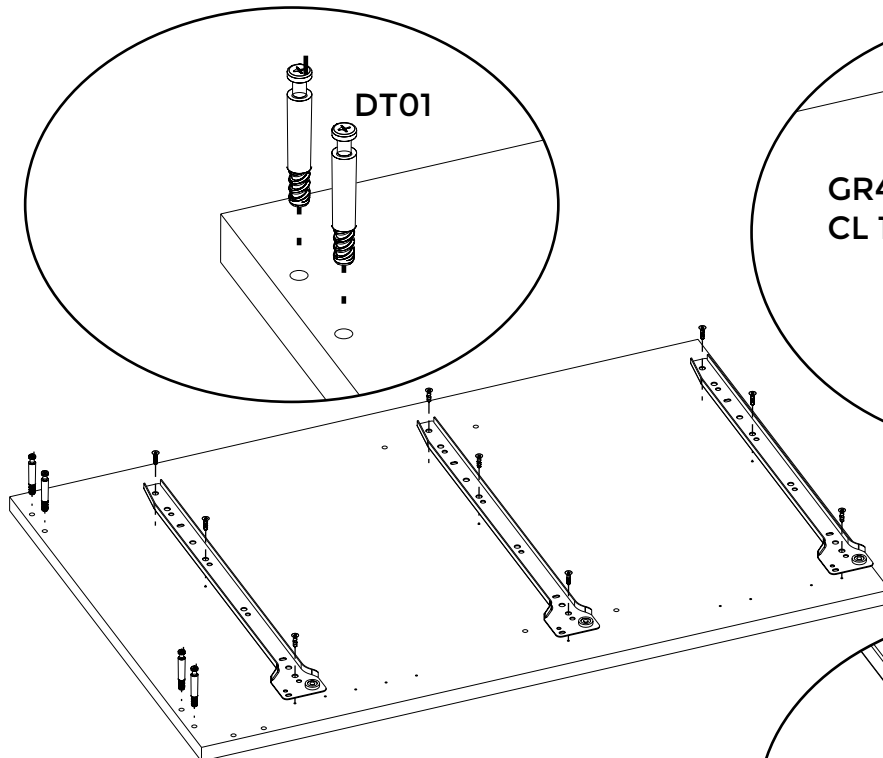
INFERIOR 600 3S ROLE

DC01 x20 	DT01 x20 	SE50 x16 
SI11 x46 	HH04 x1 	GR 40 x3 
CT01 ≈ 35 	PH01 x1 	PB01 x4 

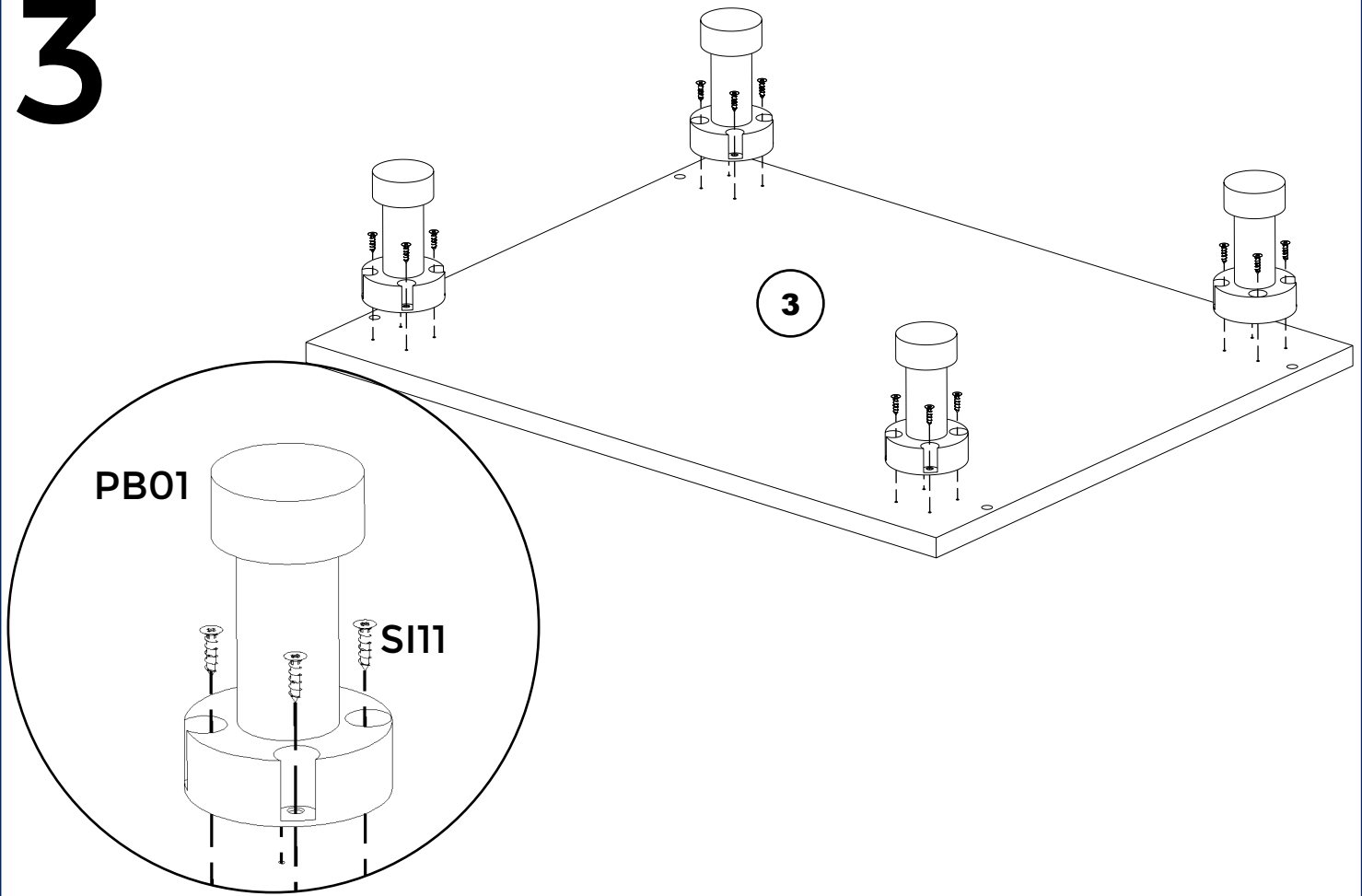
1



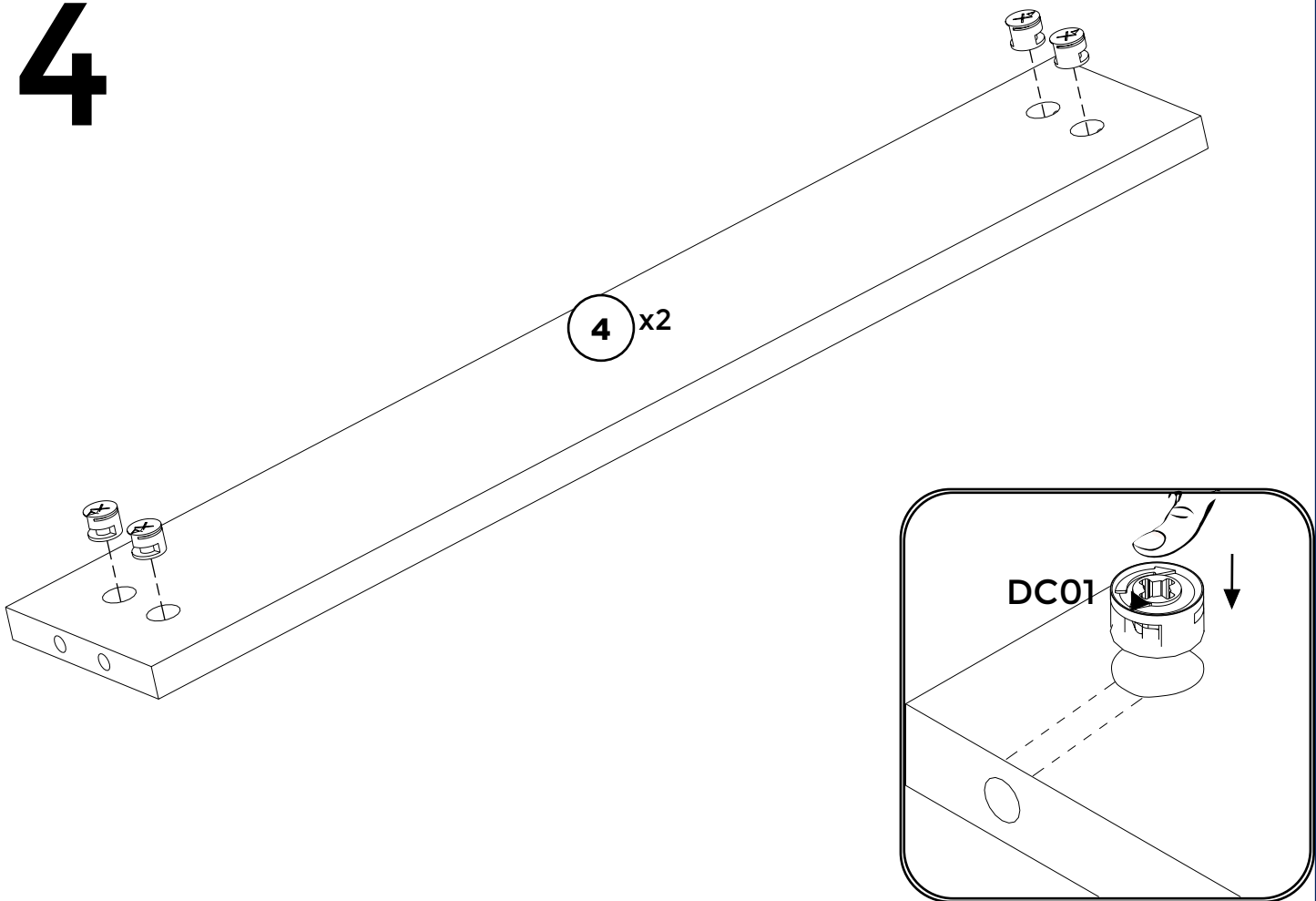
2



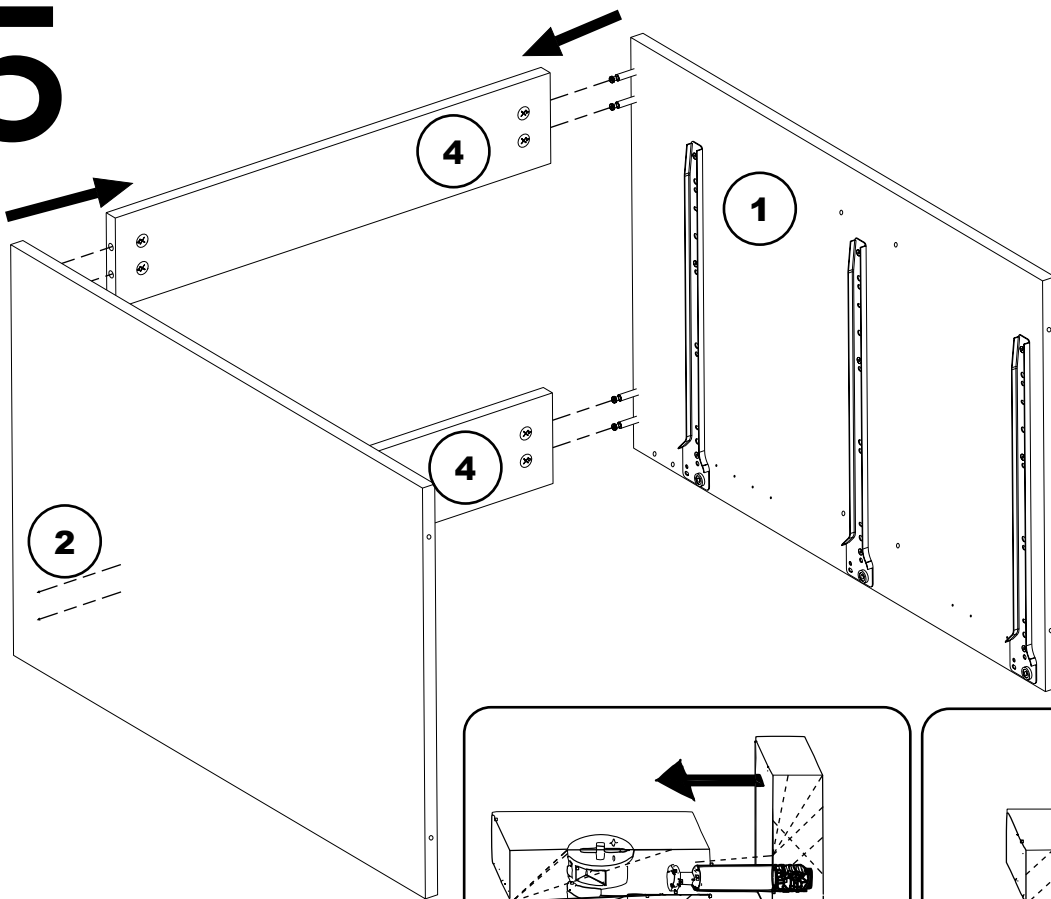
3



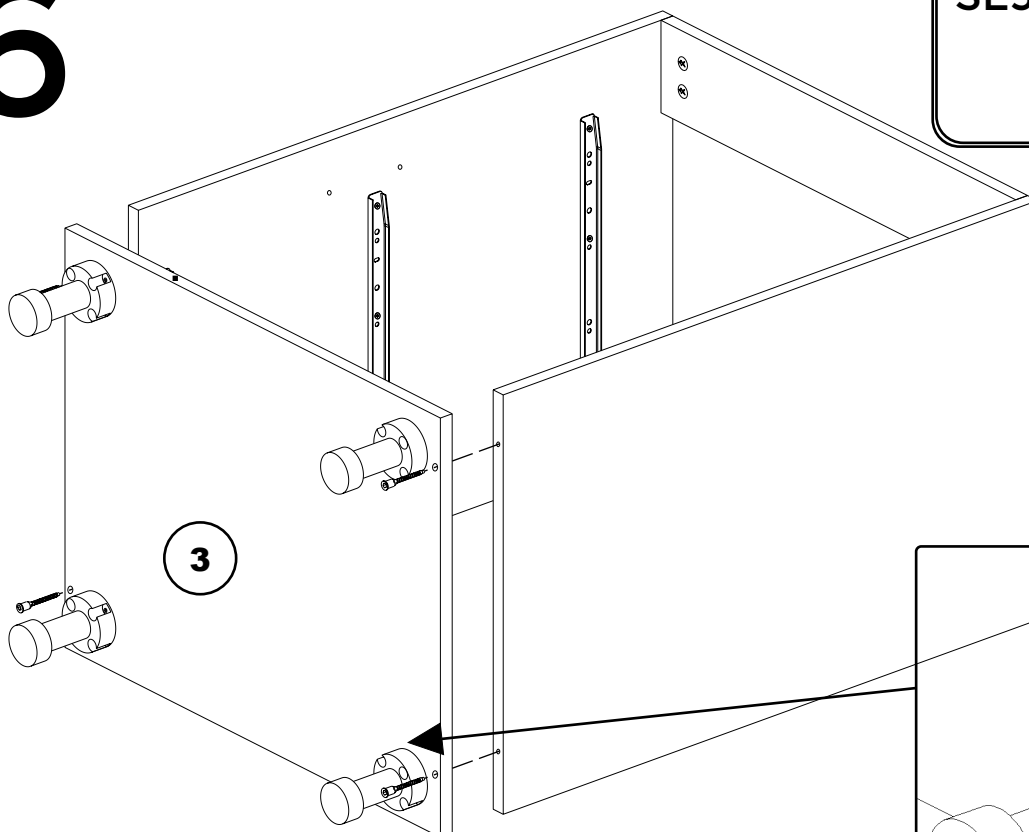
4



5



6

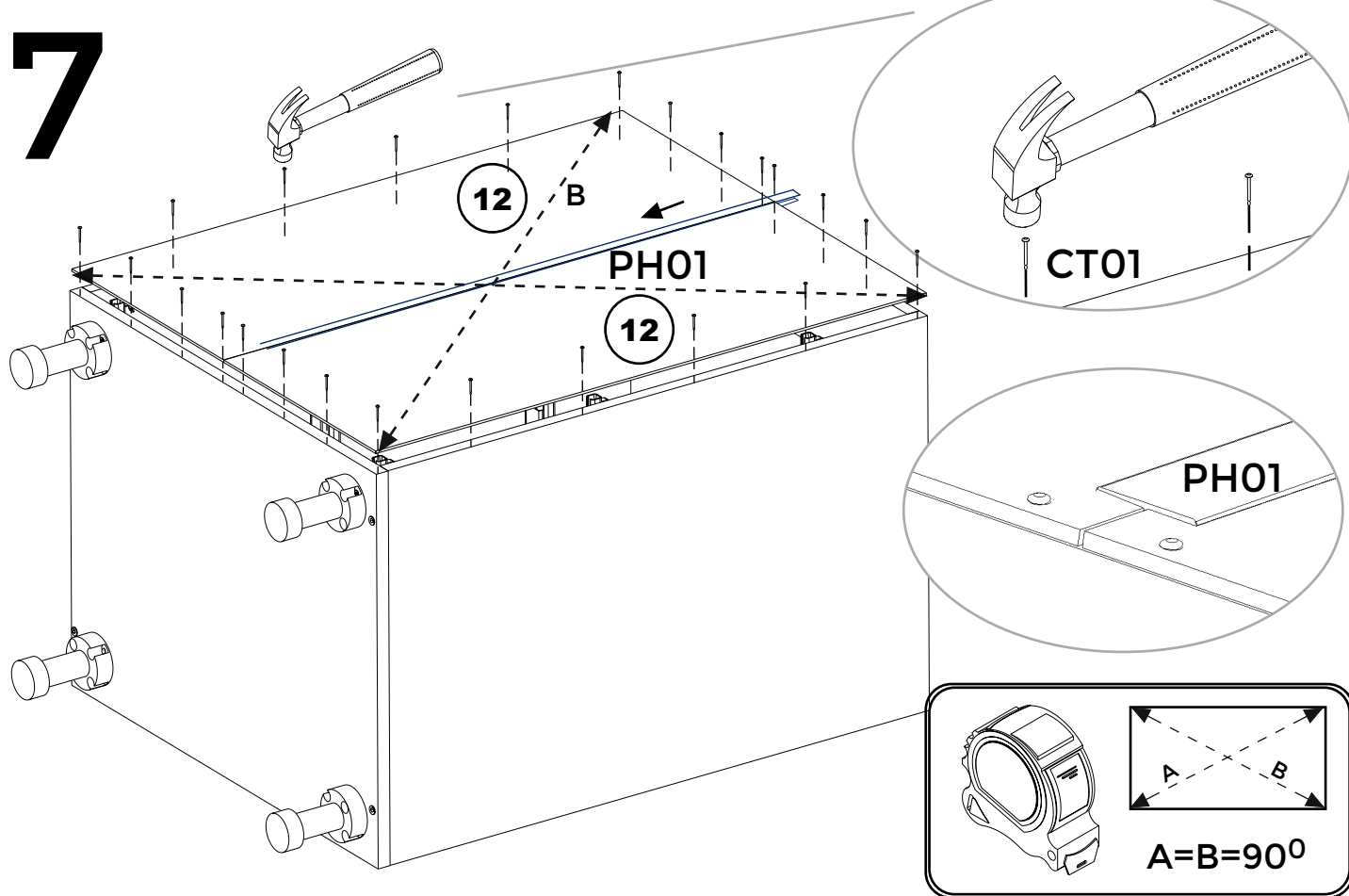


SE50

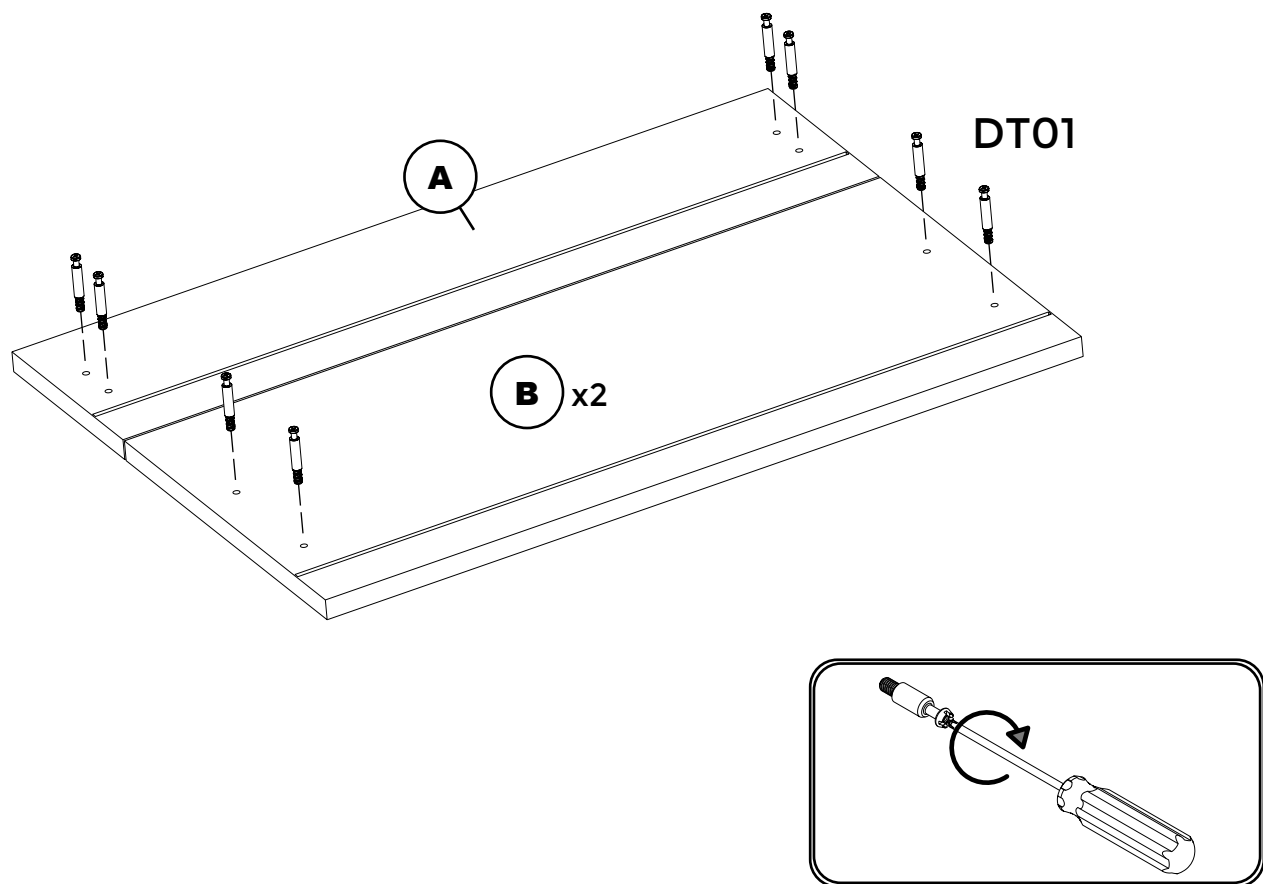
HH04

SE50

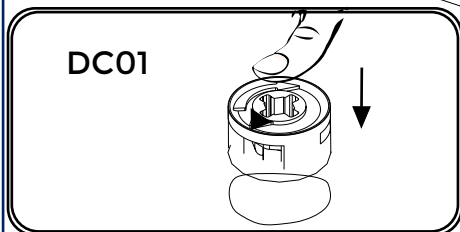
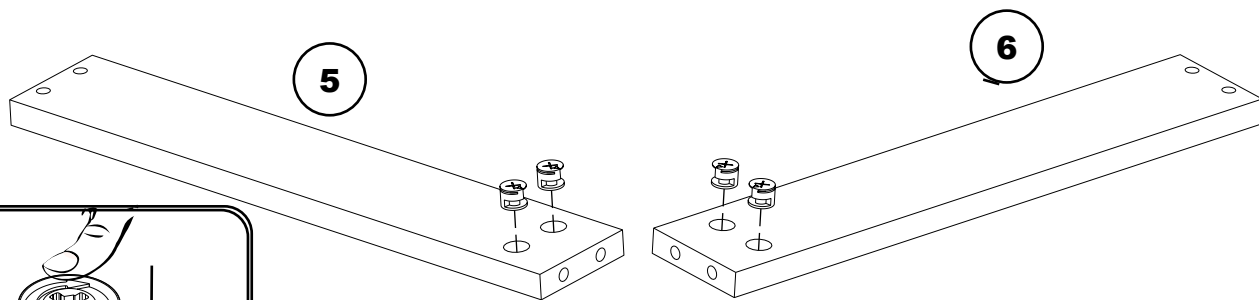
7



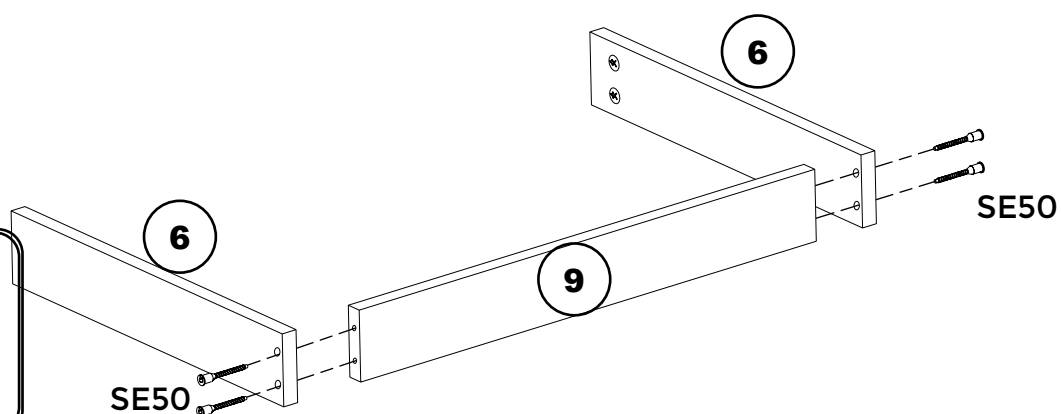
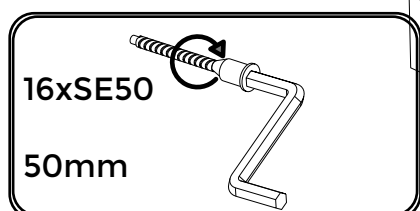
8



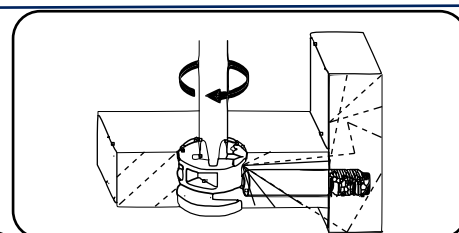
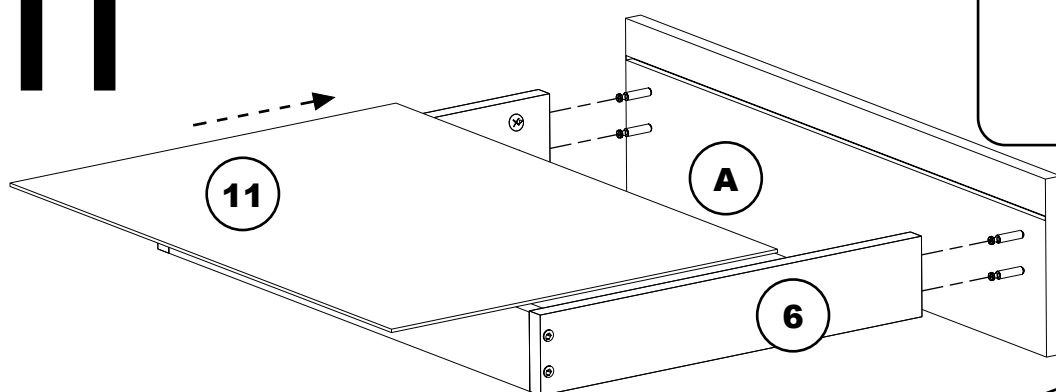
9



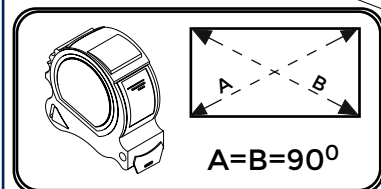
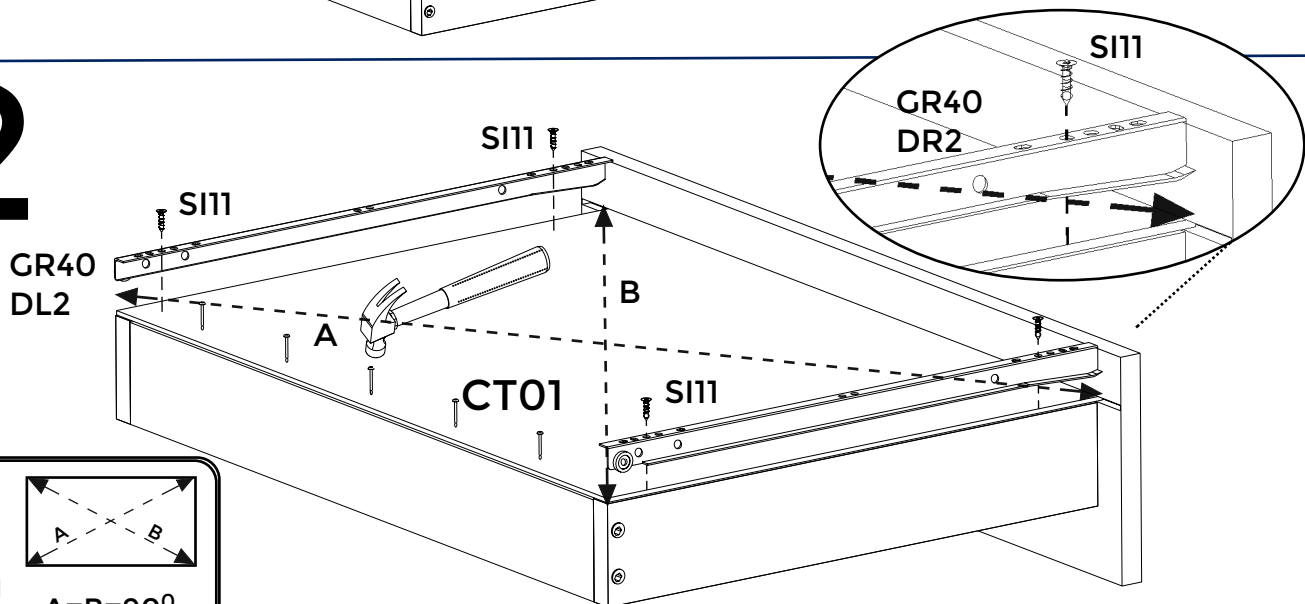
10



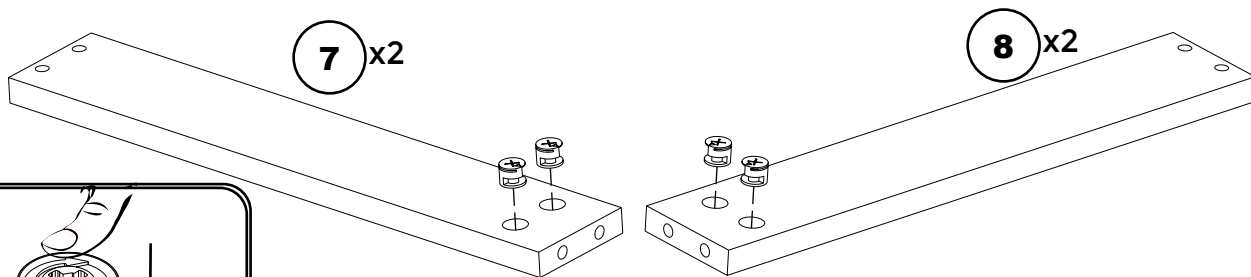
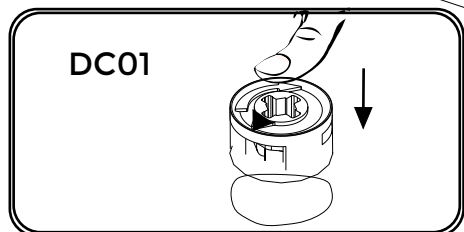
11



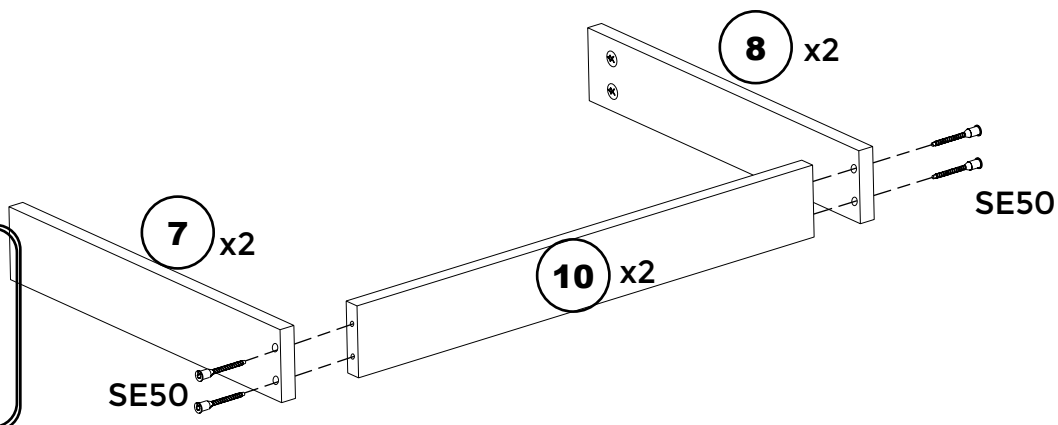
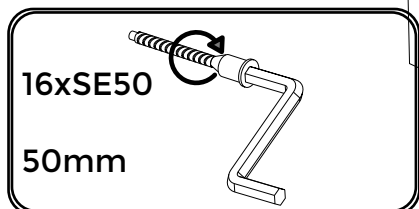
12



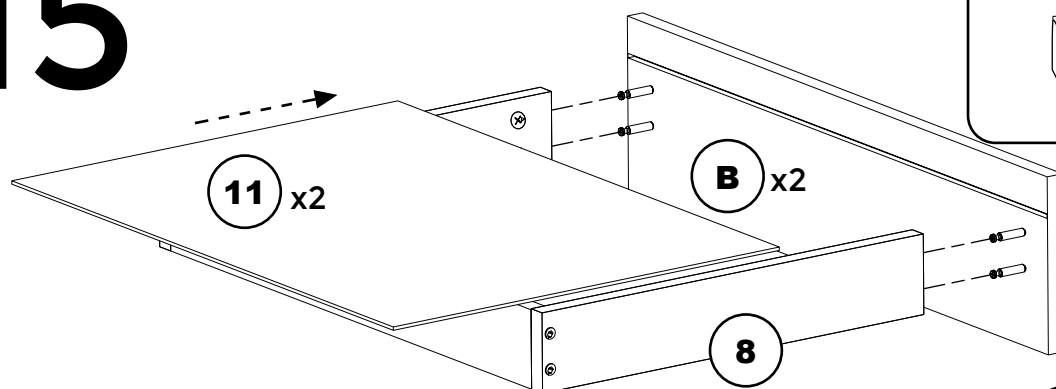
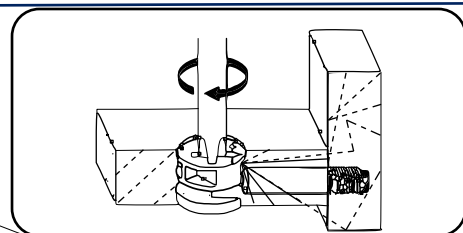
13



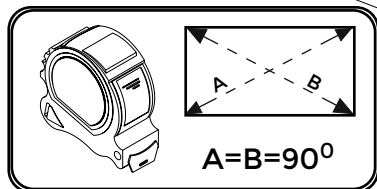
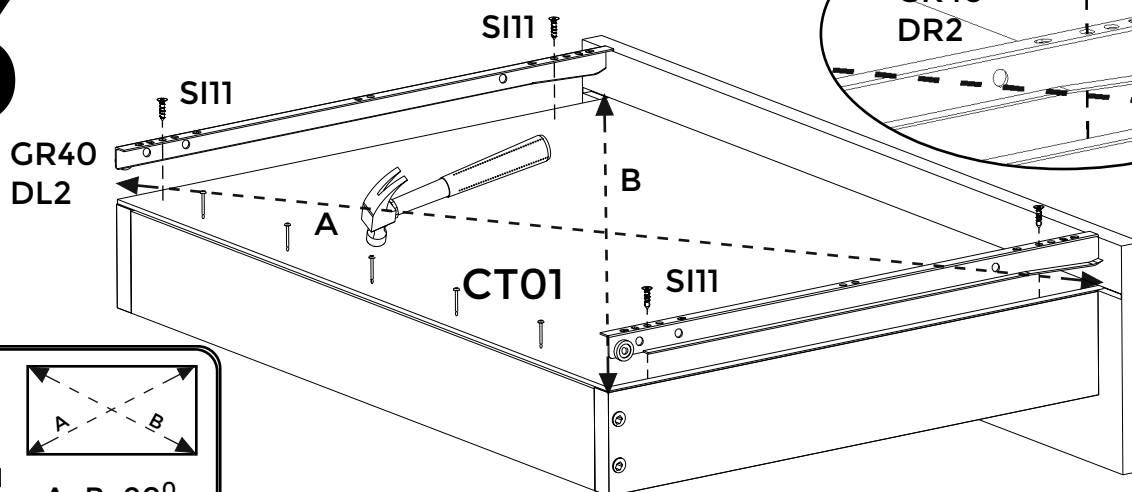
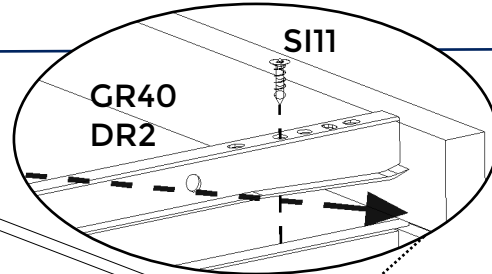
14



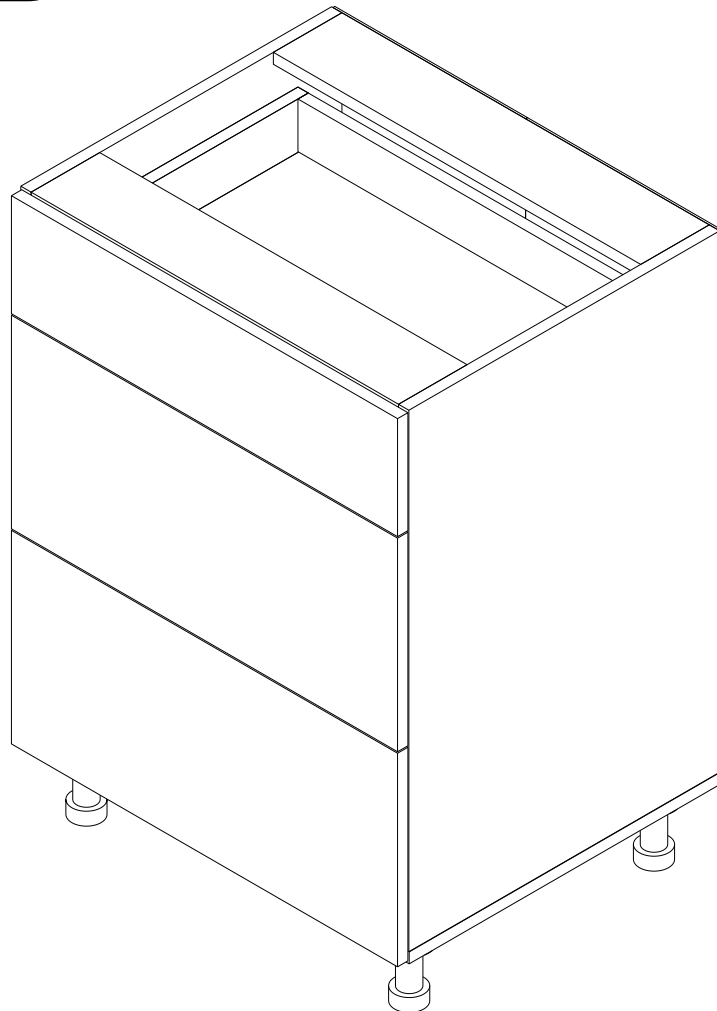
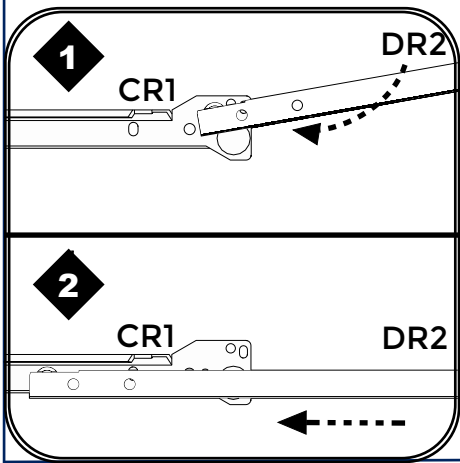
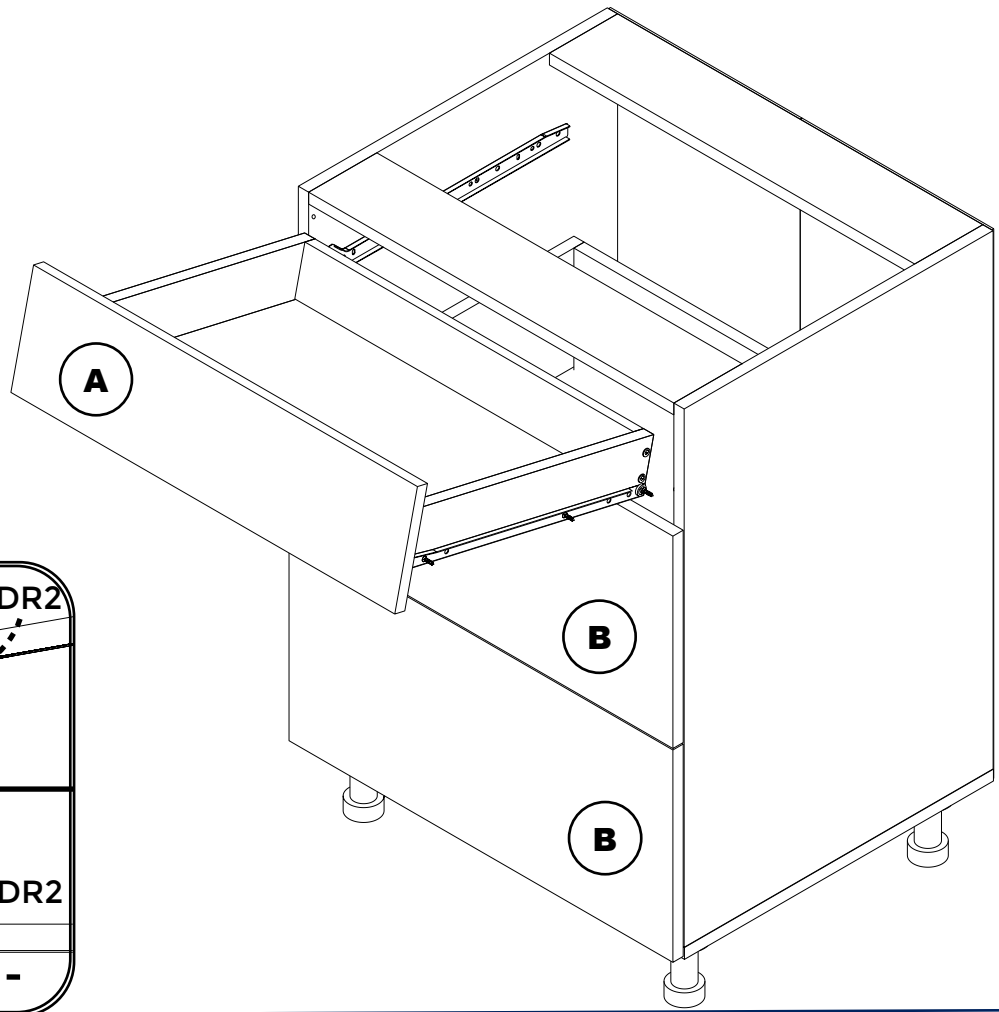
15

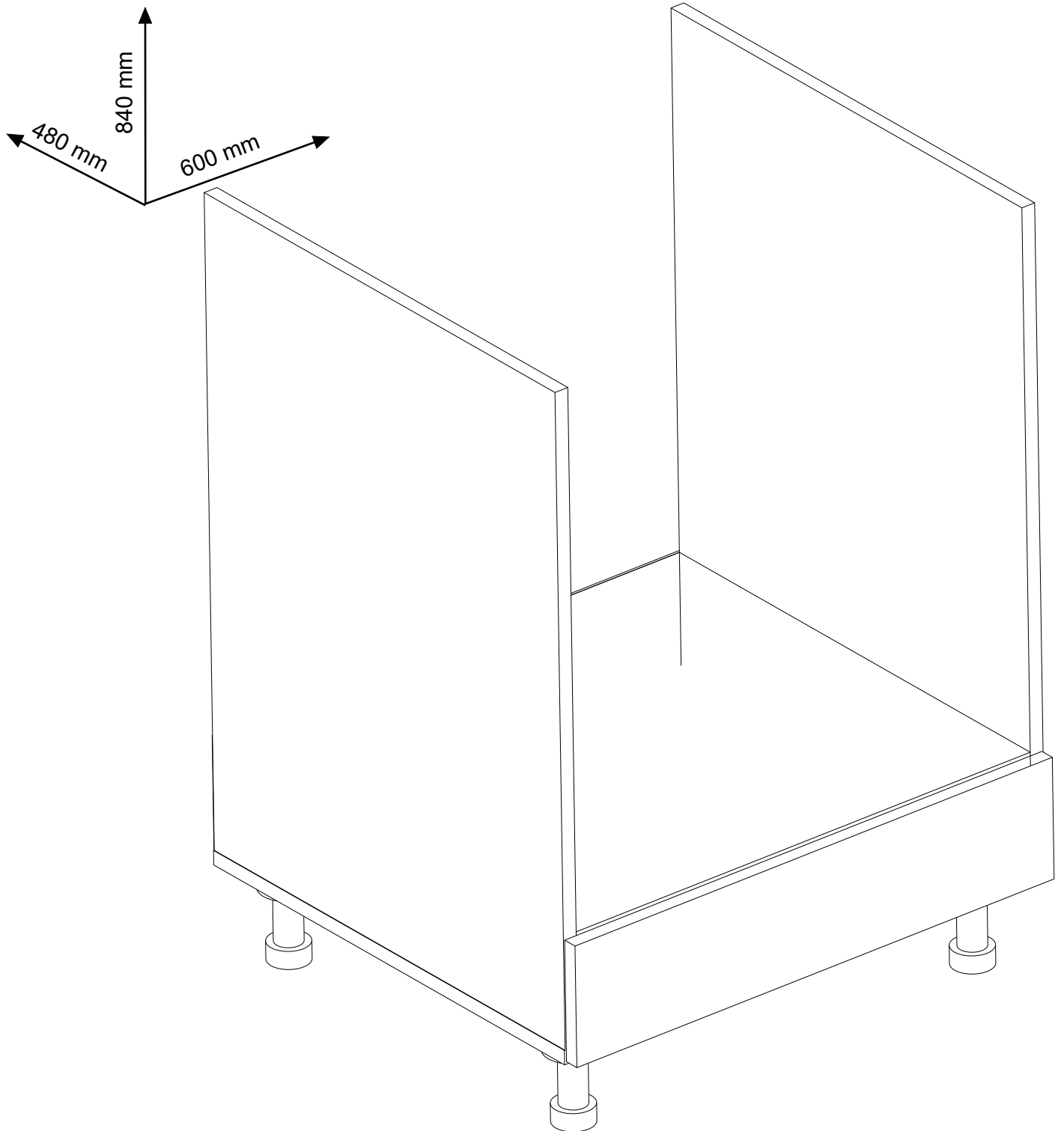


16



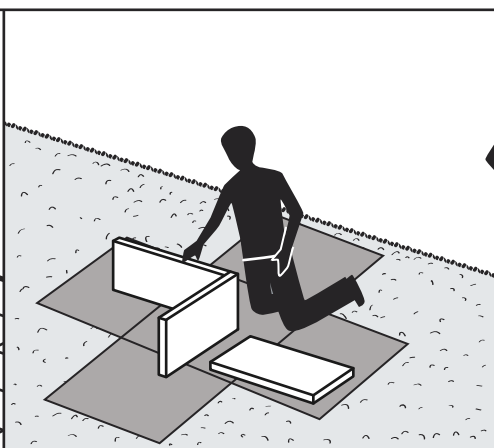
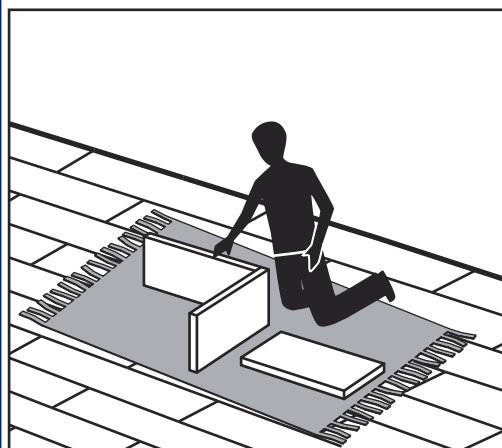
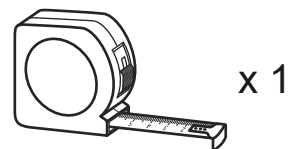
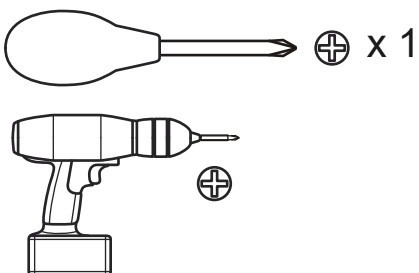
17



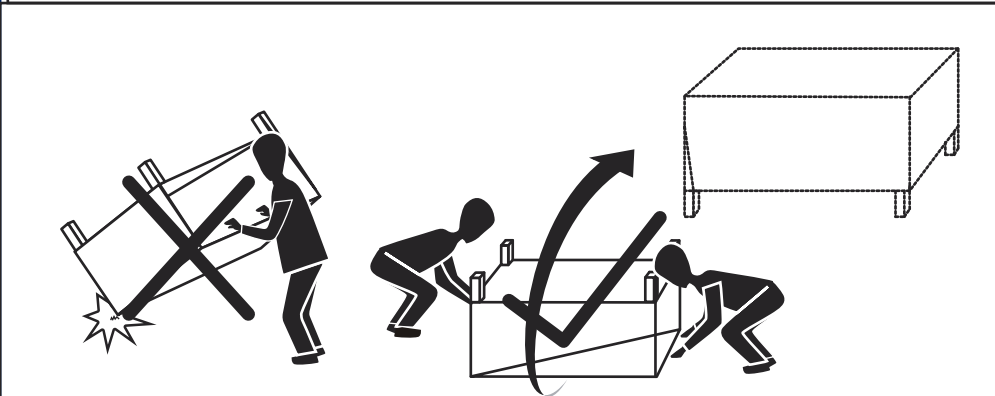
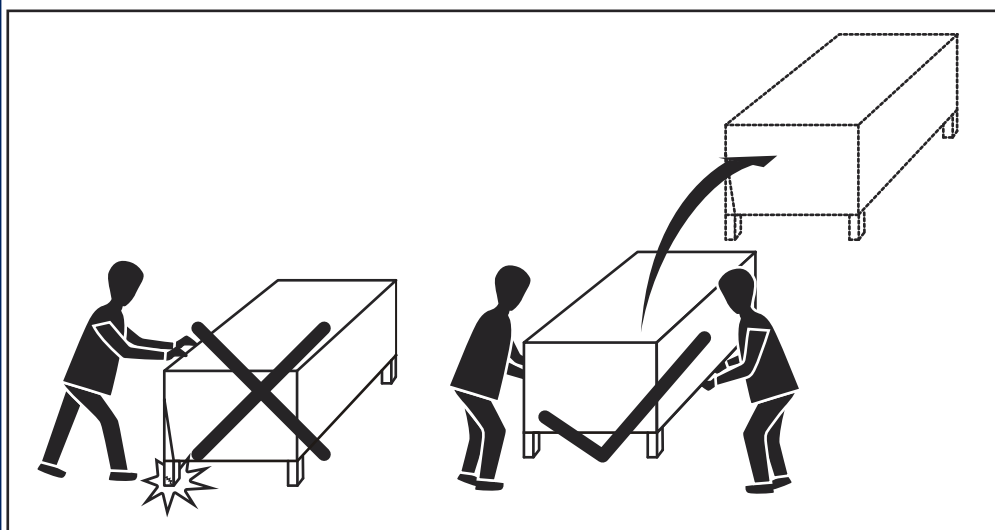
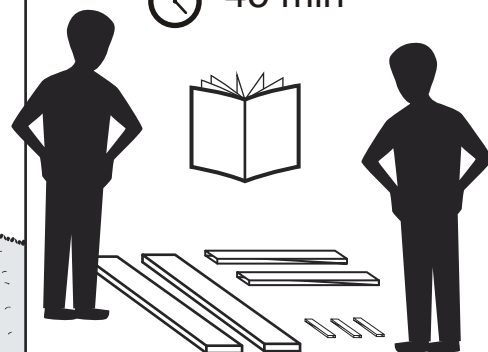


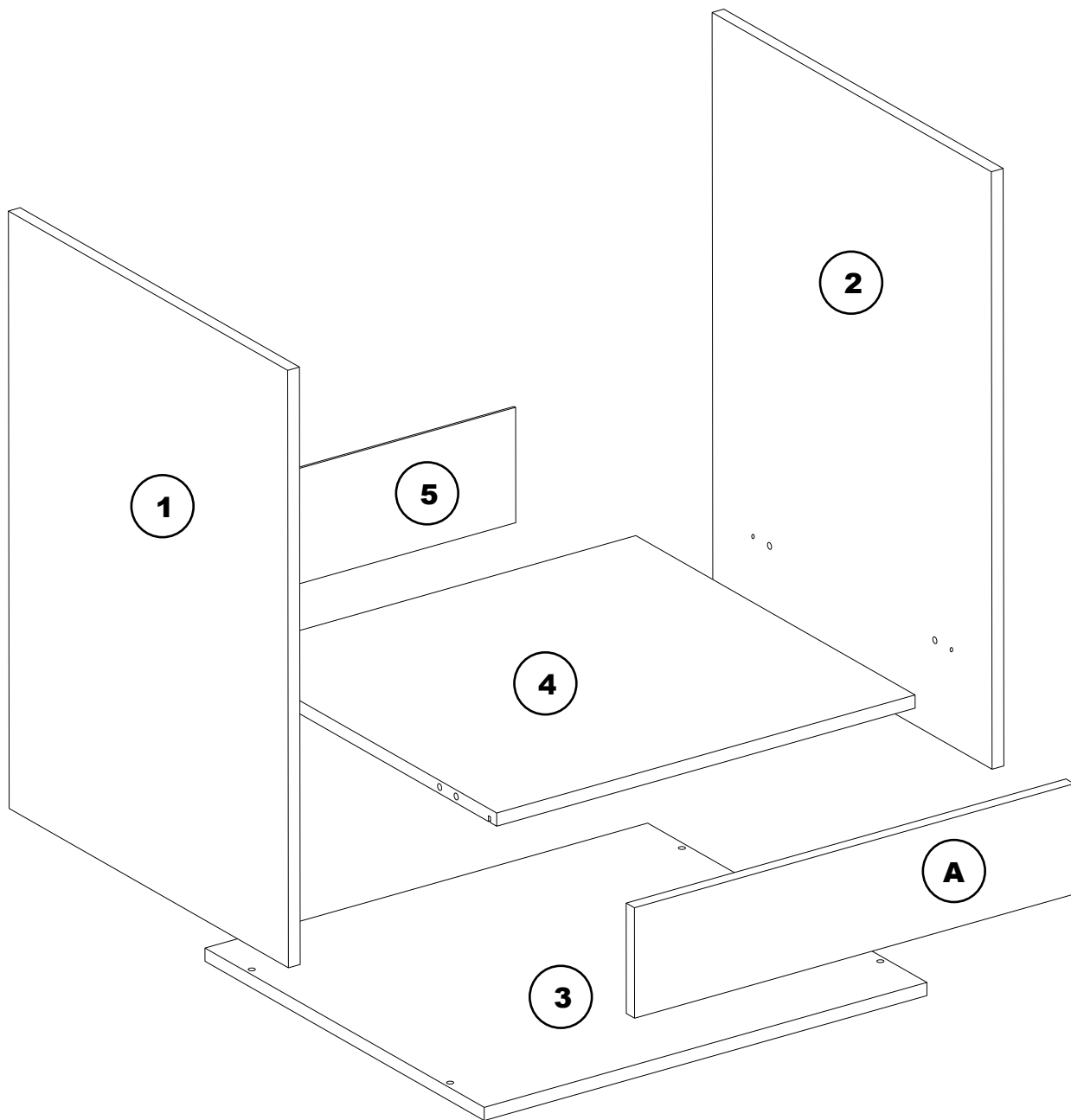
MATERIALE

Fronturi MDF/PAL
Carcasa Pal 16 mm
Spate HDF
Cant ABS 0.5 si 1 mm
Elemente de imbinare metalice si din lemn
Picioare plastic



🕒 45 min

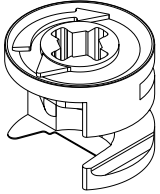
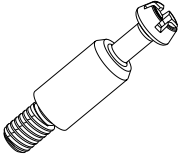
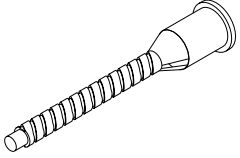
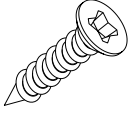
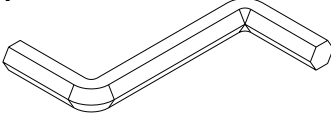
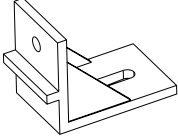
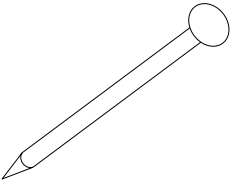
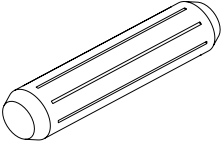
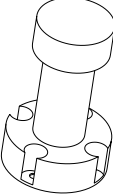




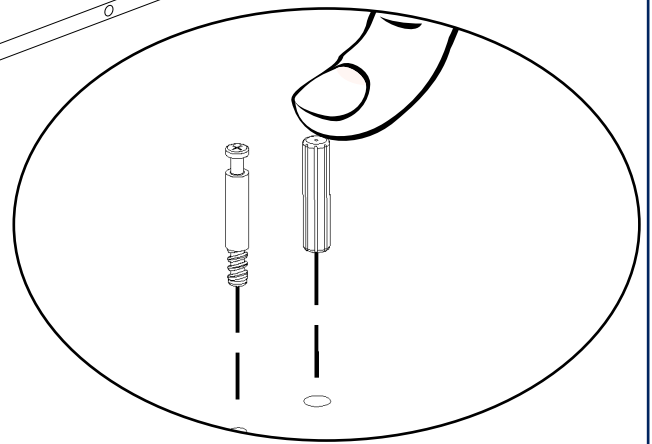
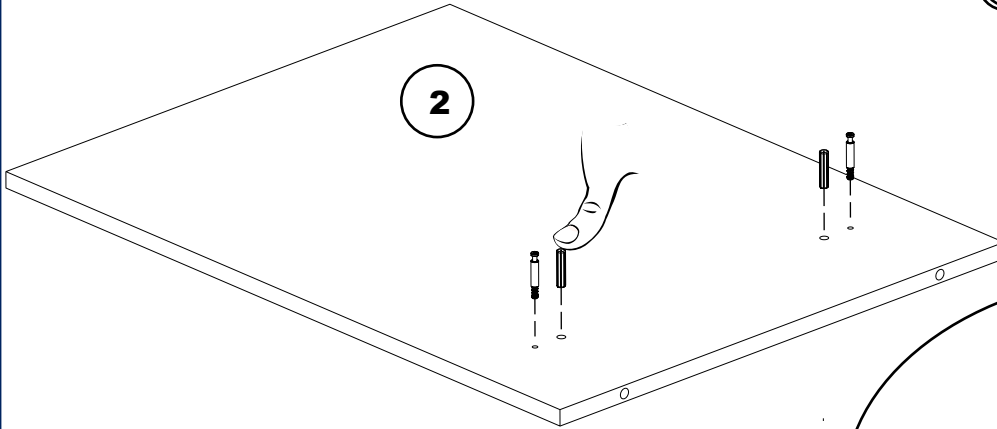
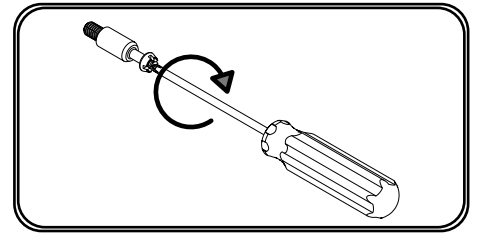
Nr	COD	BuC	Nr	COD	BuC	Nr	COD	BuC
1	0801	1	3	0803	1	5	0805	1
2	0802	1	4	0804	1	A	8053	1

Bucatarii

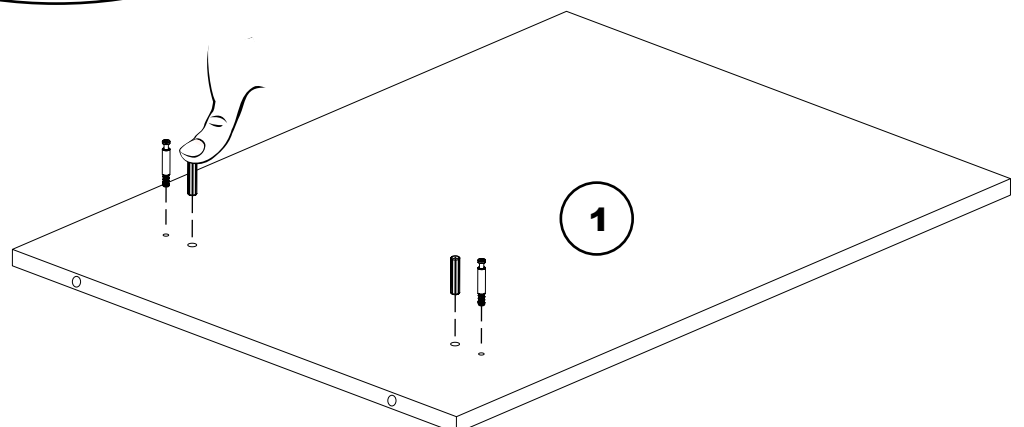
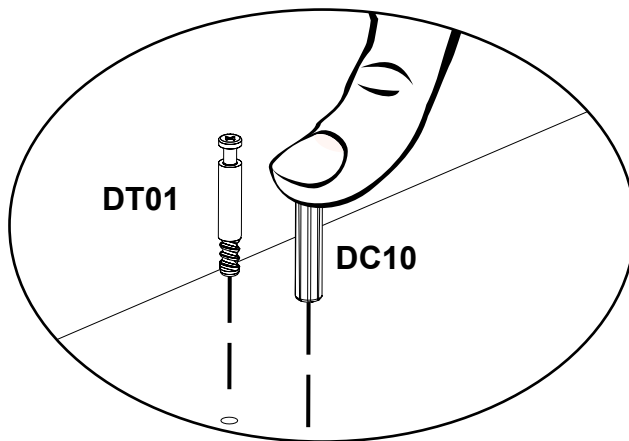
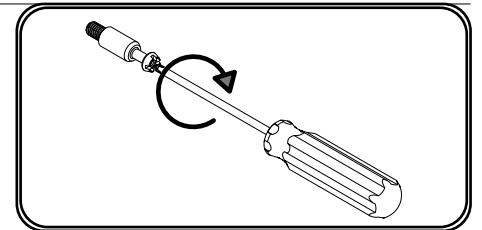
INFERIOR MASCA CUPTOR

DC01 x4		DT01 X4		SE50 x4	
SI11 x20		HH04 x1		CL15 x2	
CT01 ≈ 16		DC10 x4		PB01 x4	

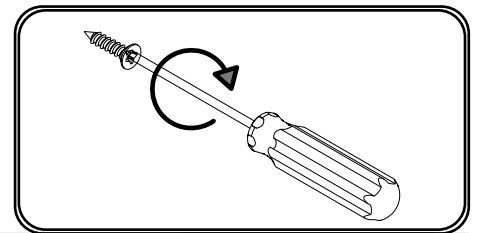
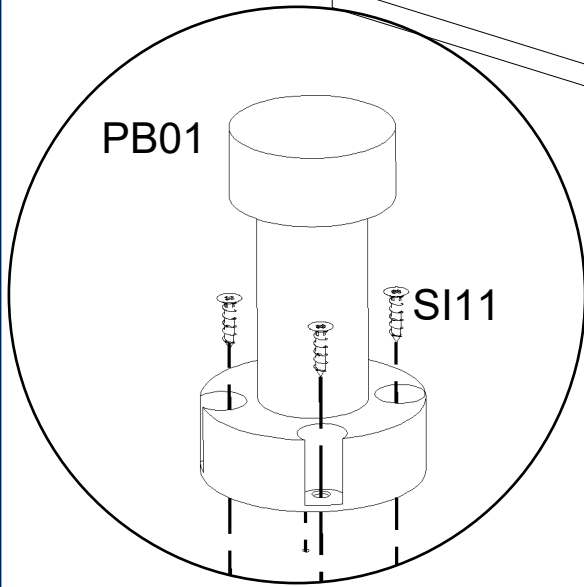
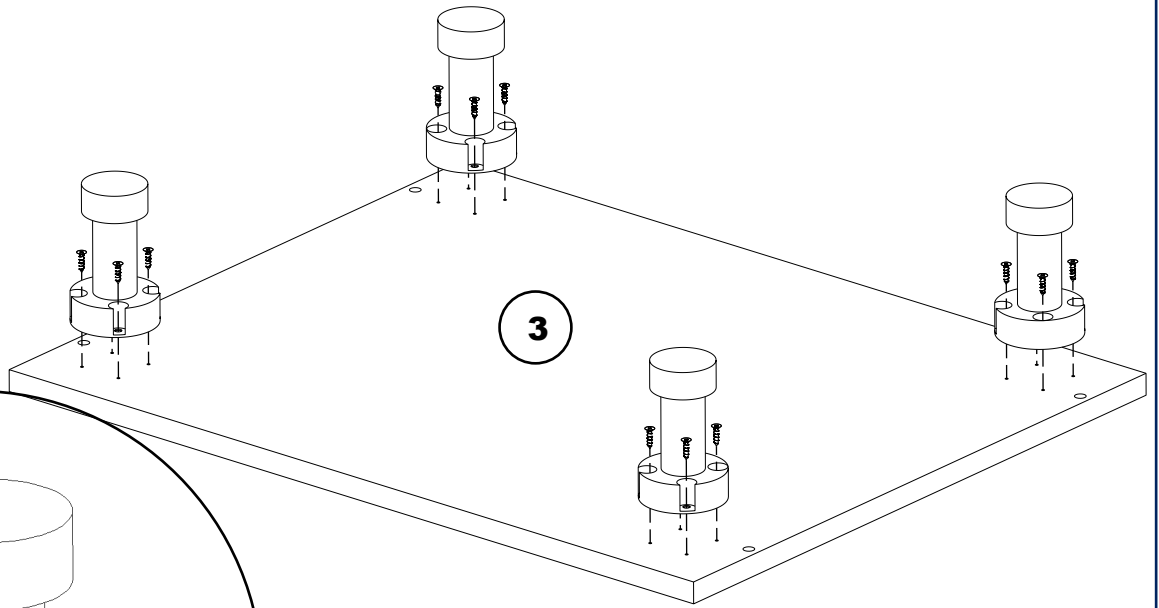
1



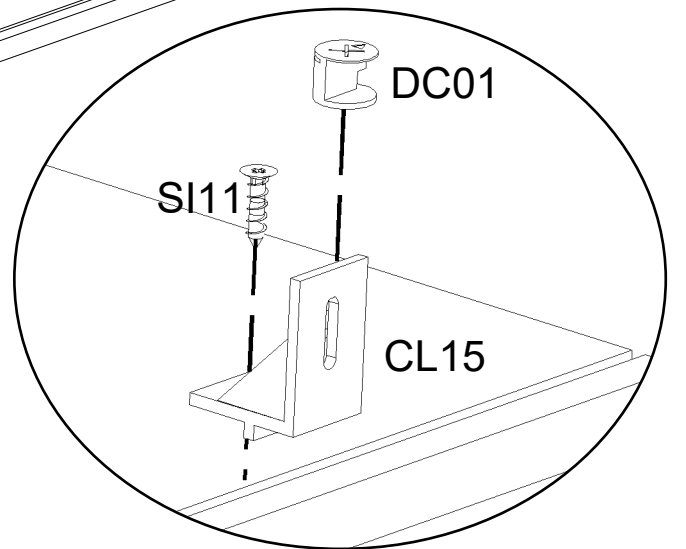
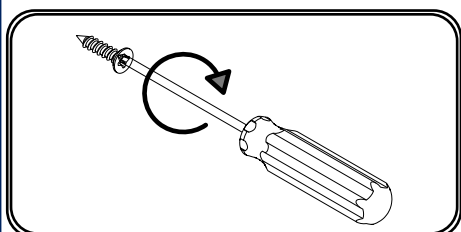
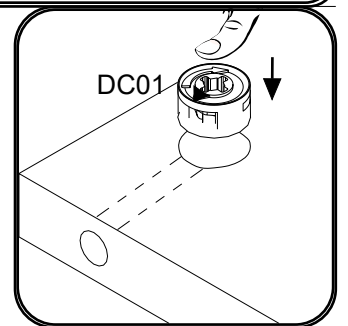
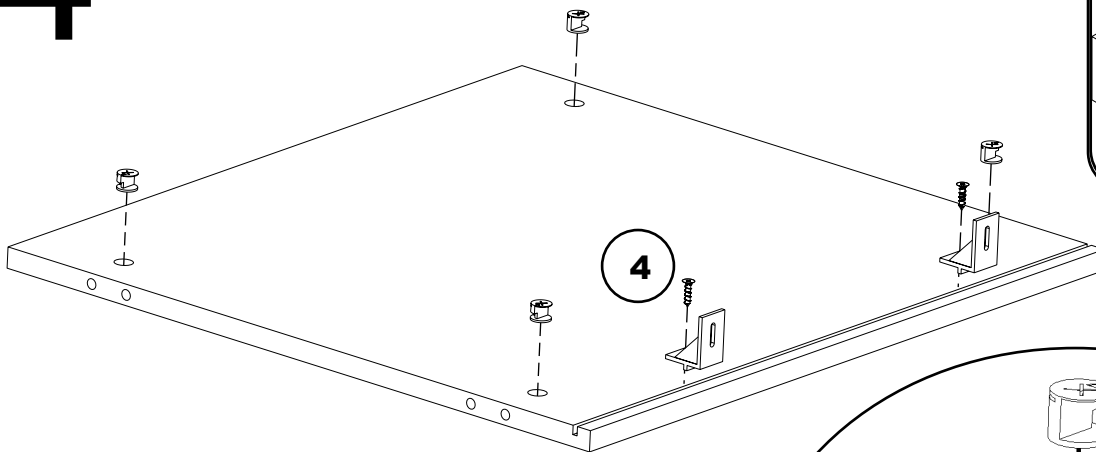
2



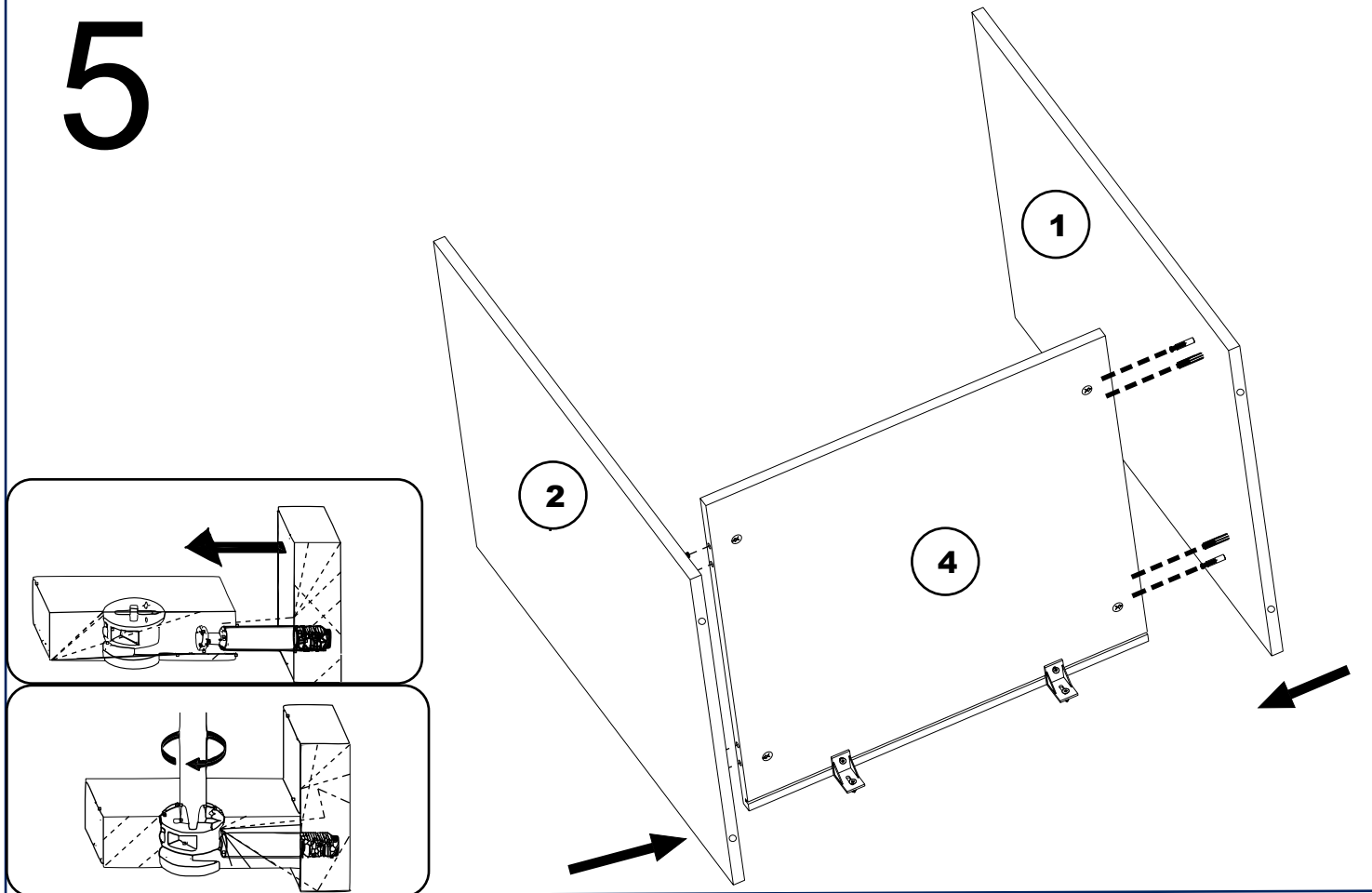
3



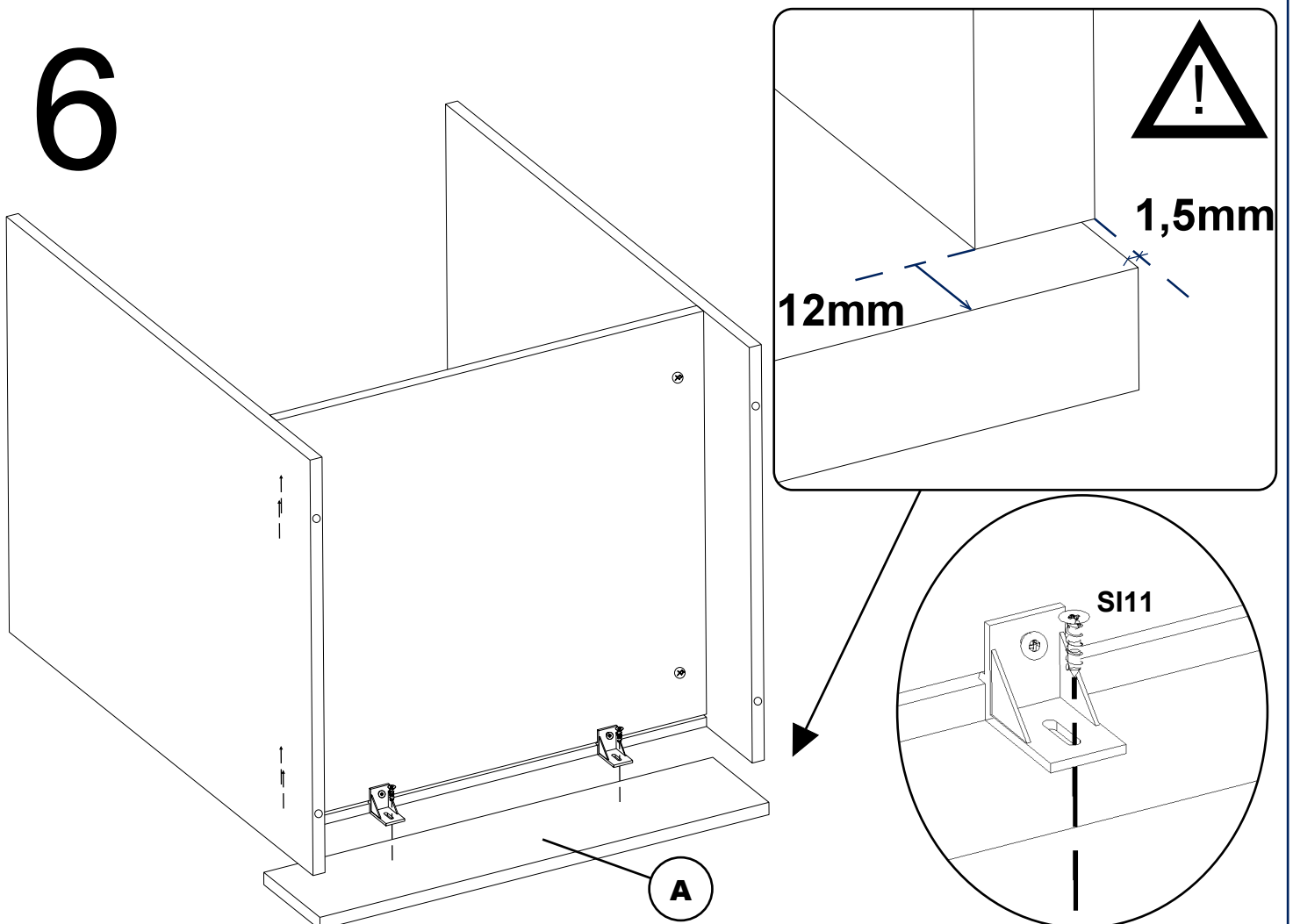
4



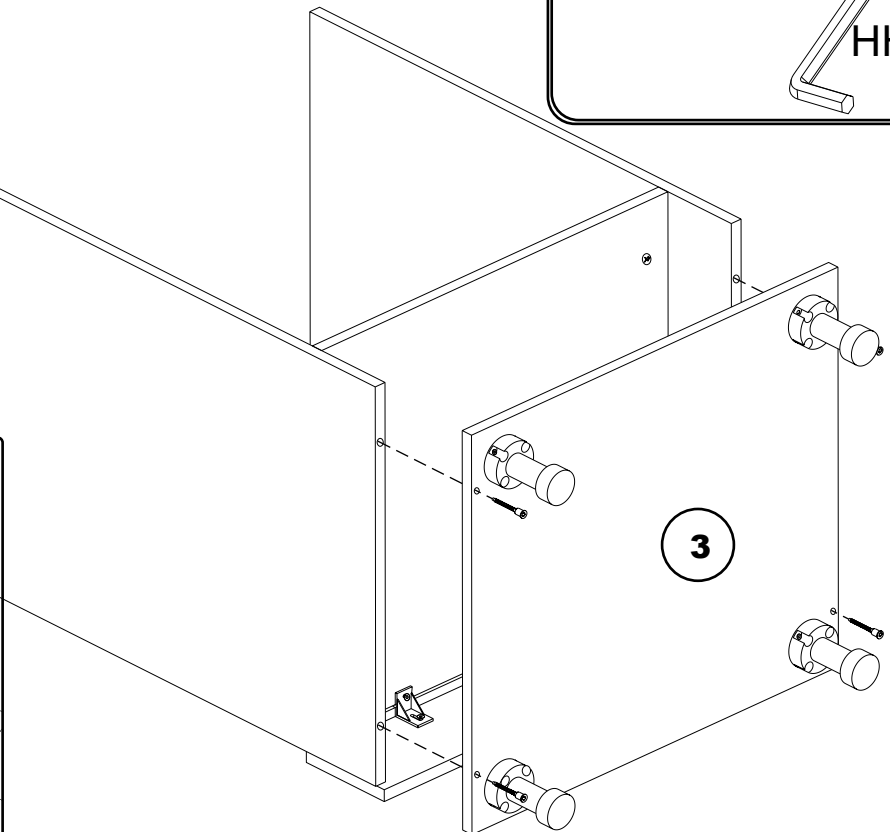
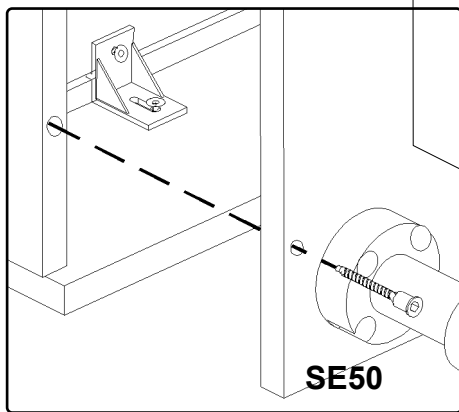
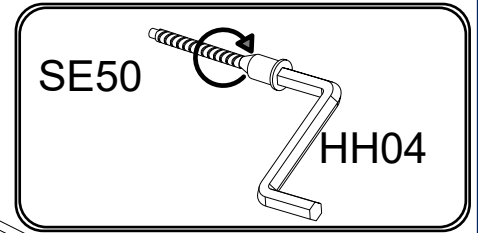
5



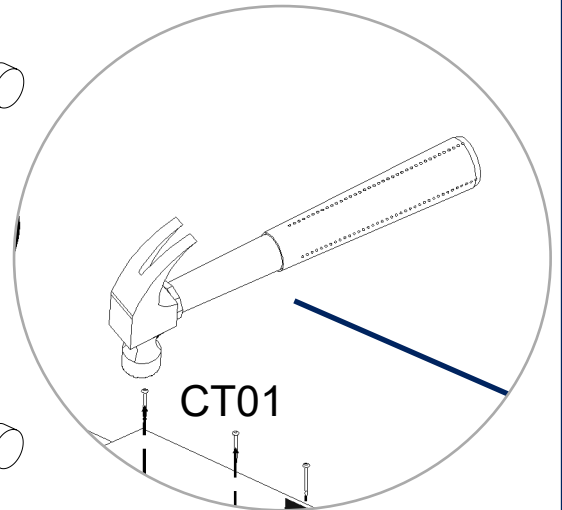
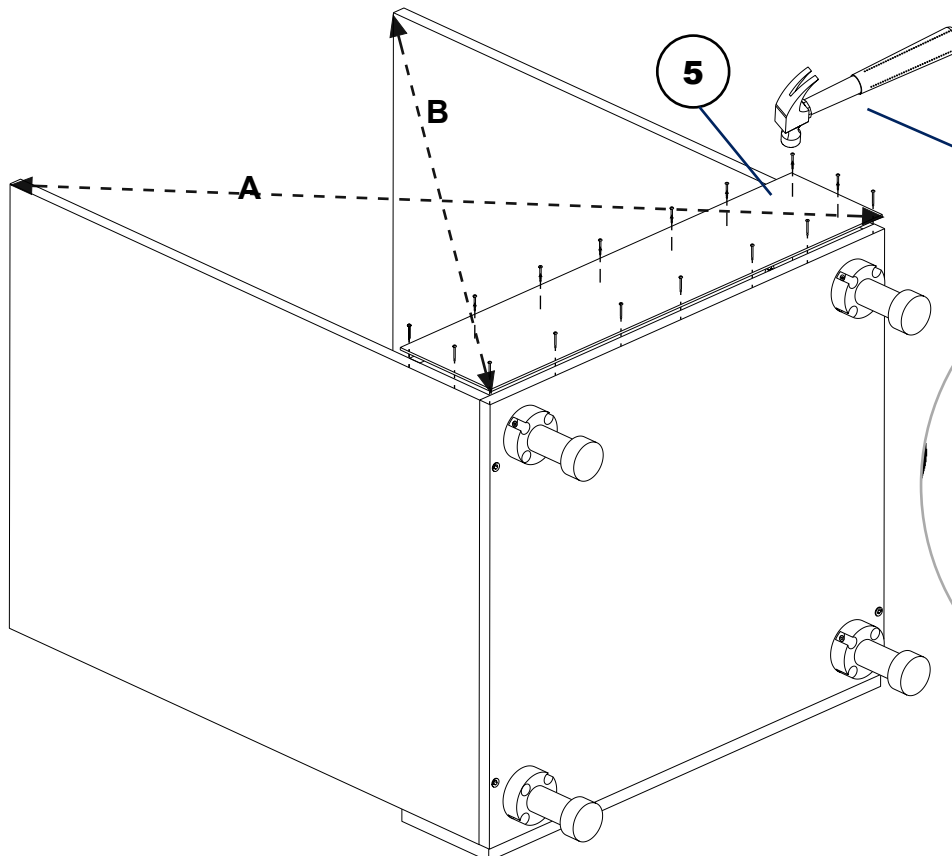
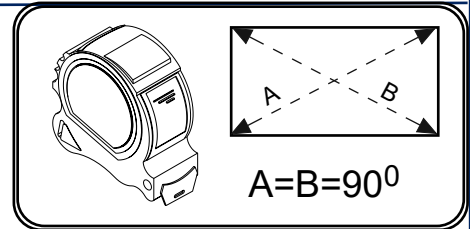
6



7

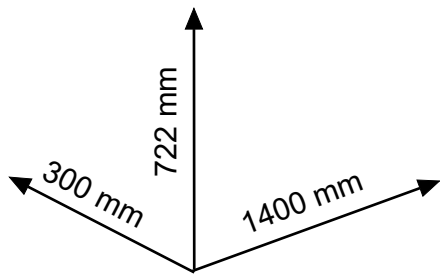


8

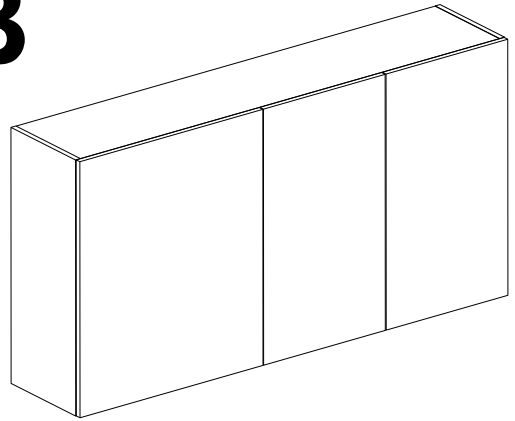


Bucatarii

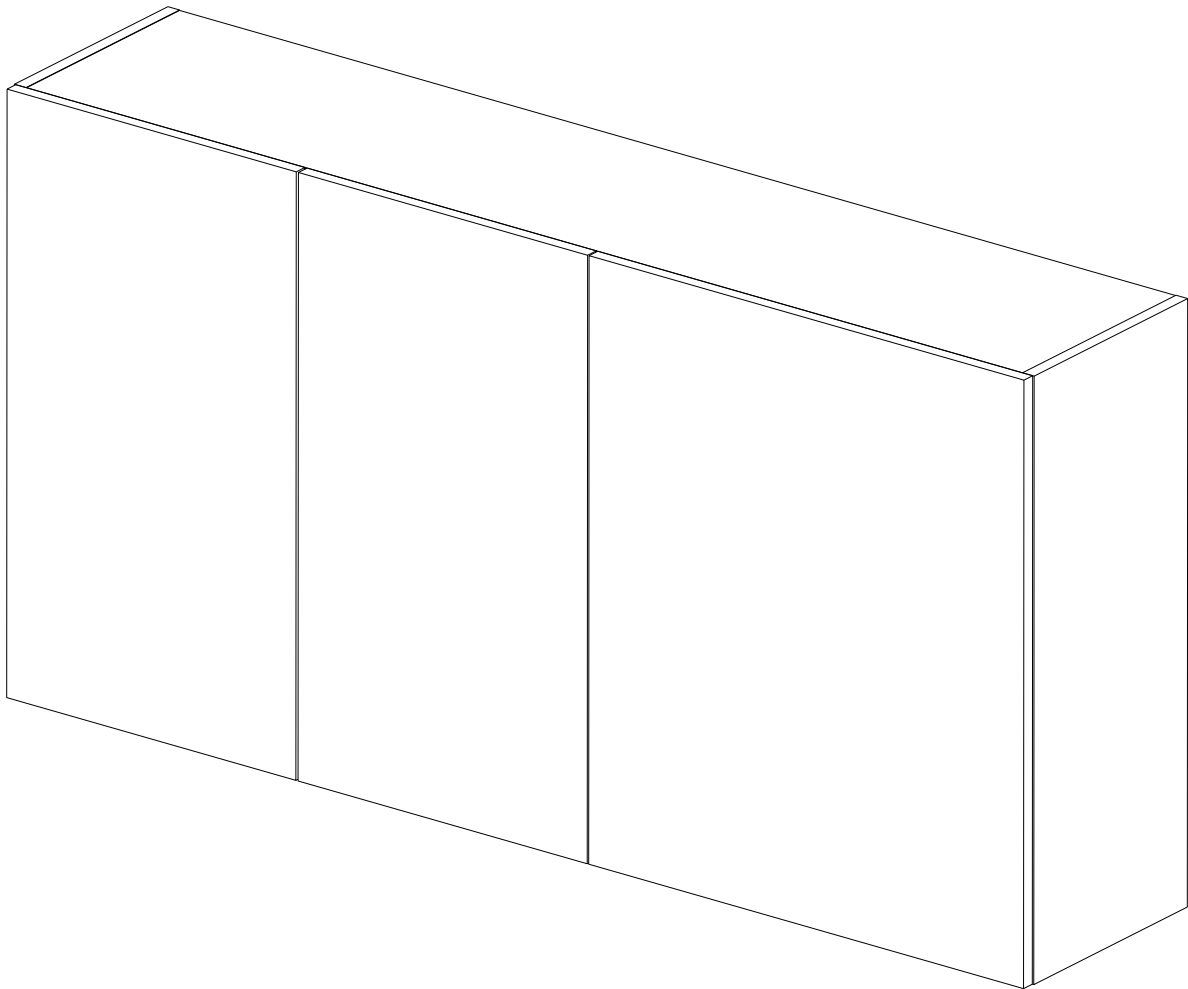
SUPERIOR 1400 2U+PIC



B



A

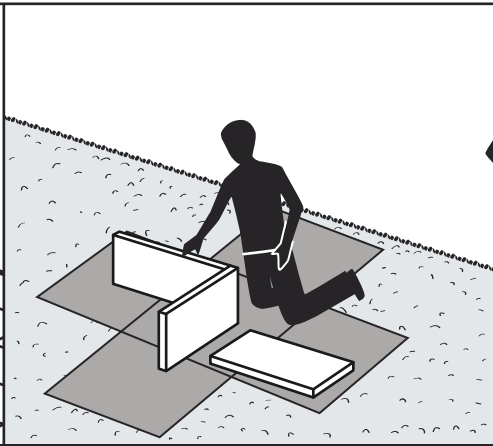
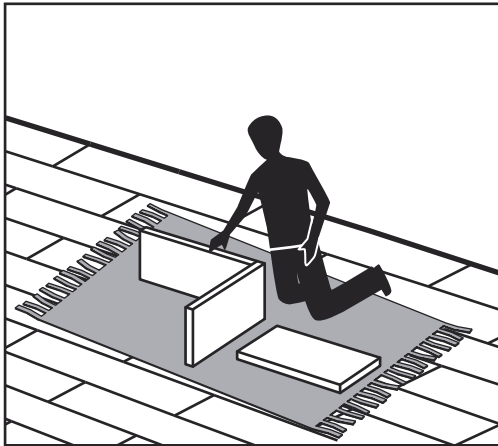
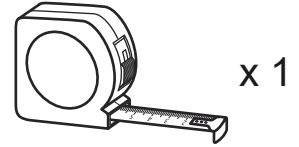
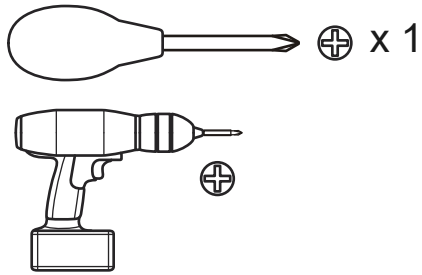


MATERIALE

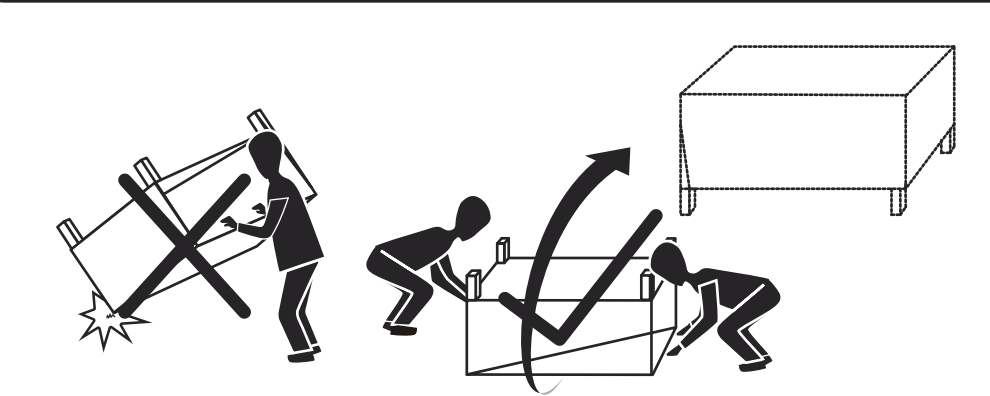
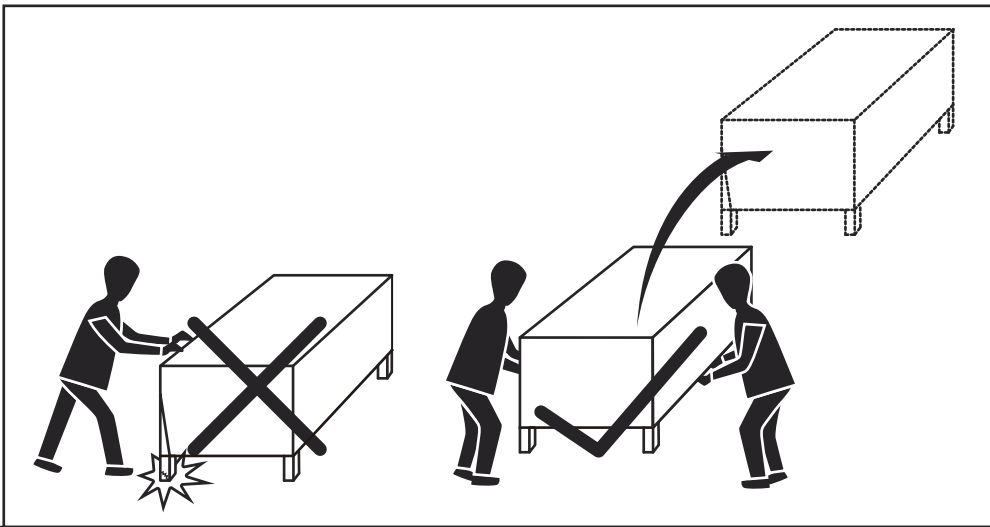
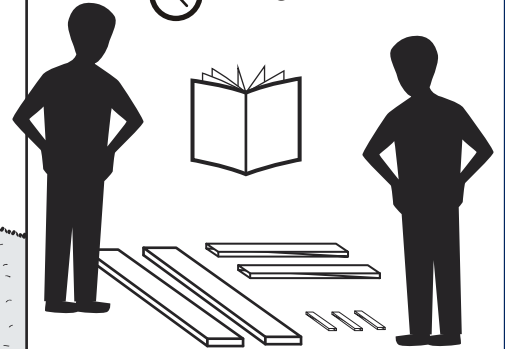
Fronturi Pal
Carcasa Pal 16 mm
Spate HDF
Cant ABS 0.5 si 1 mm
Elemente de imbinare metalice si din lemn
Manere plastic

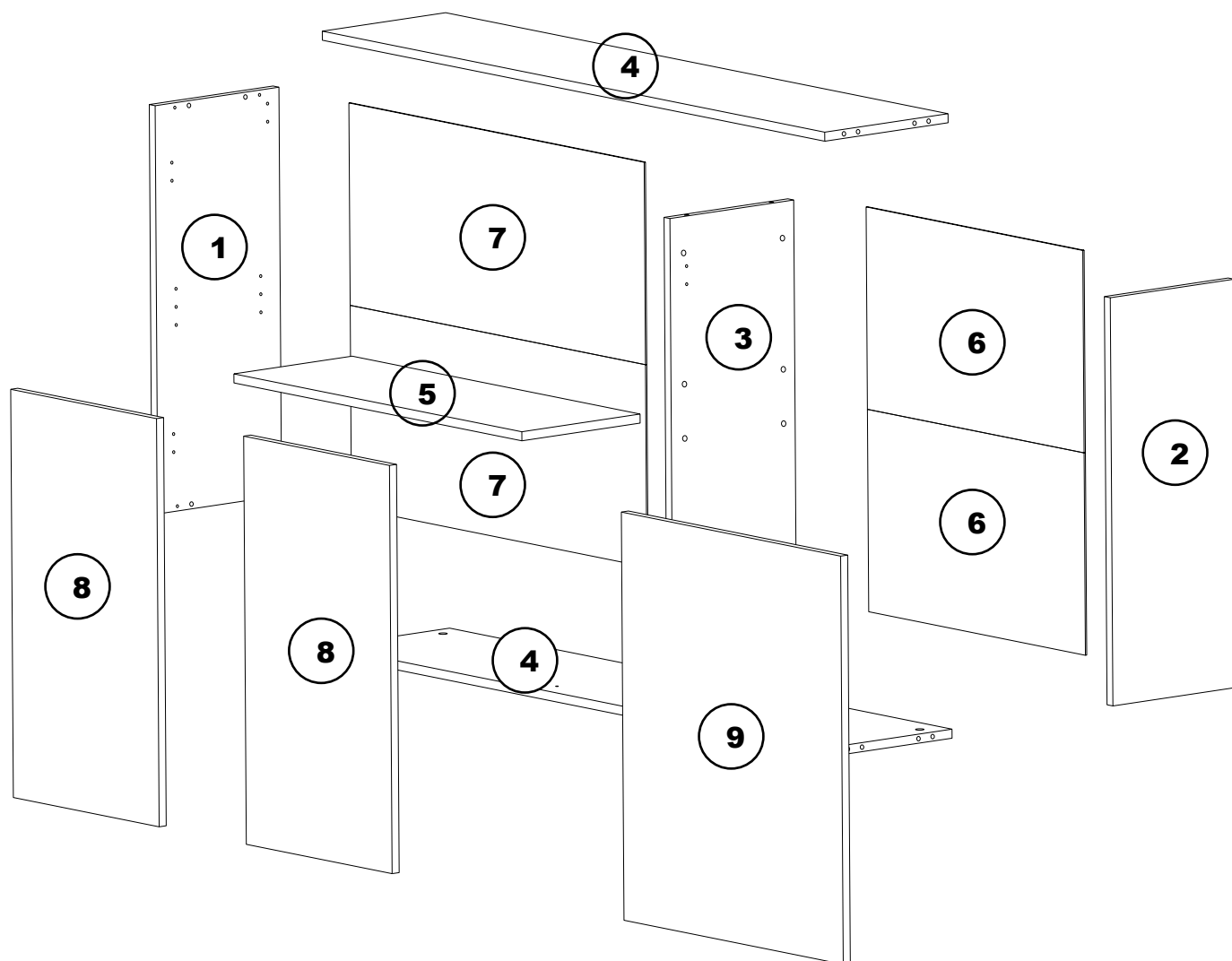
Bucatarii

SUPERIOR 1400 2U+PIC

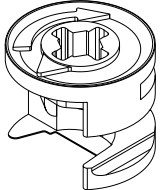
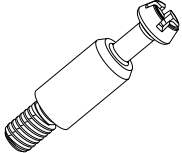
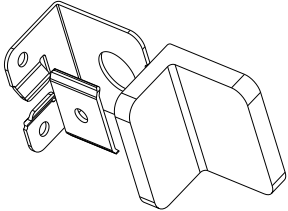

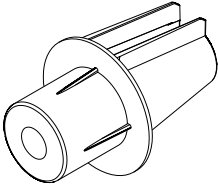
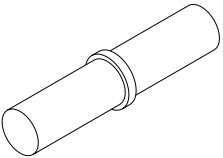
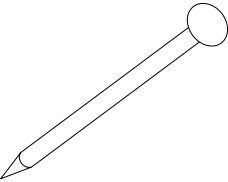
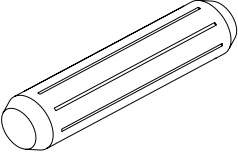
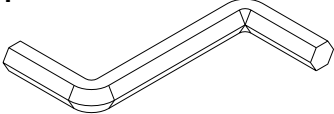
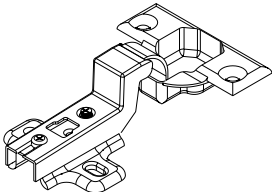
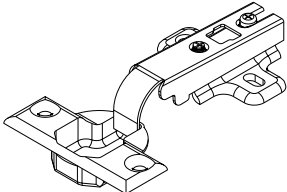
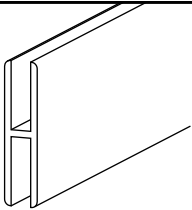
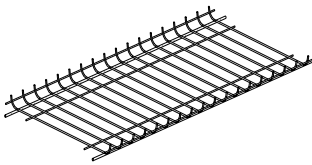
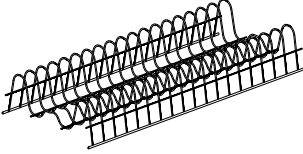
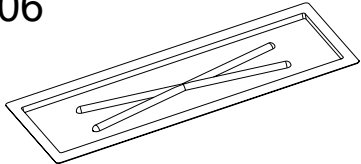


 120min



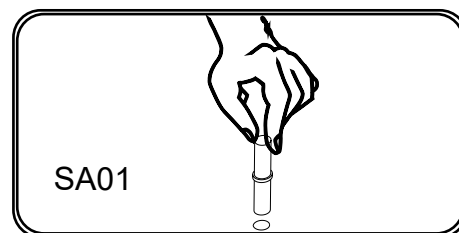
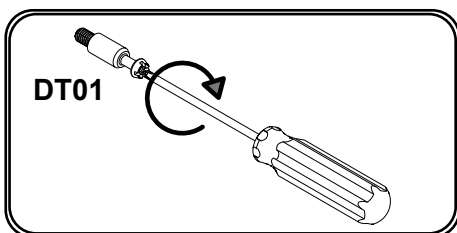
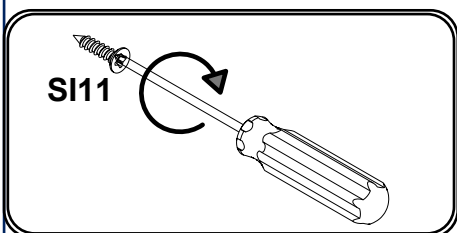
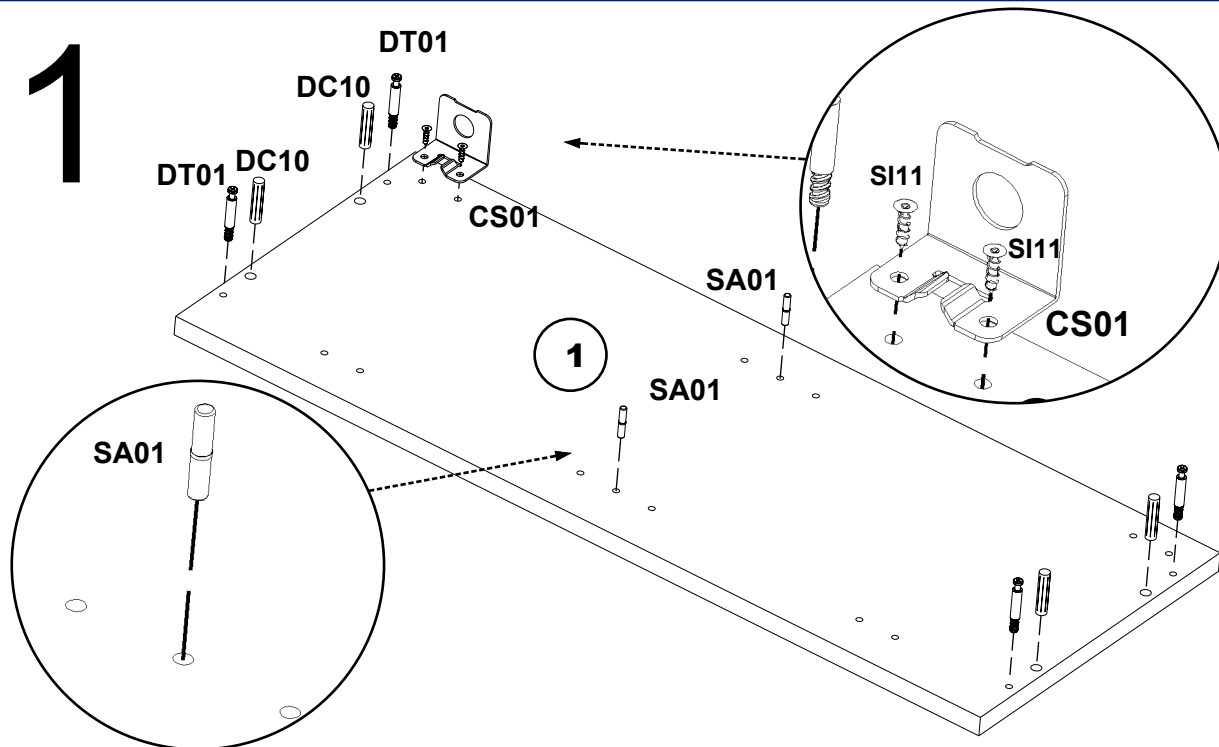


Nr	COD	BuC
1	0901	1
2	0902	2
3	0903	3
4	0904	2
5	0905	1
6	0906	2
7	0907	2
8	9083	2
9	9093	1

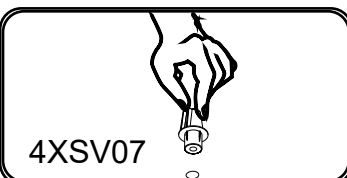
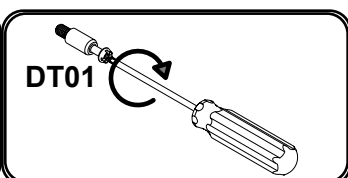
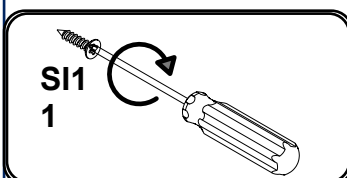
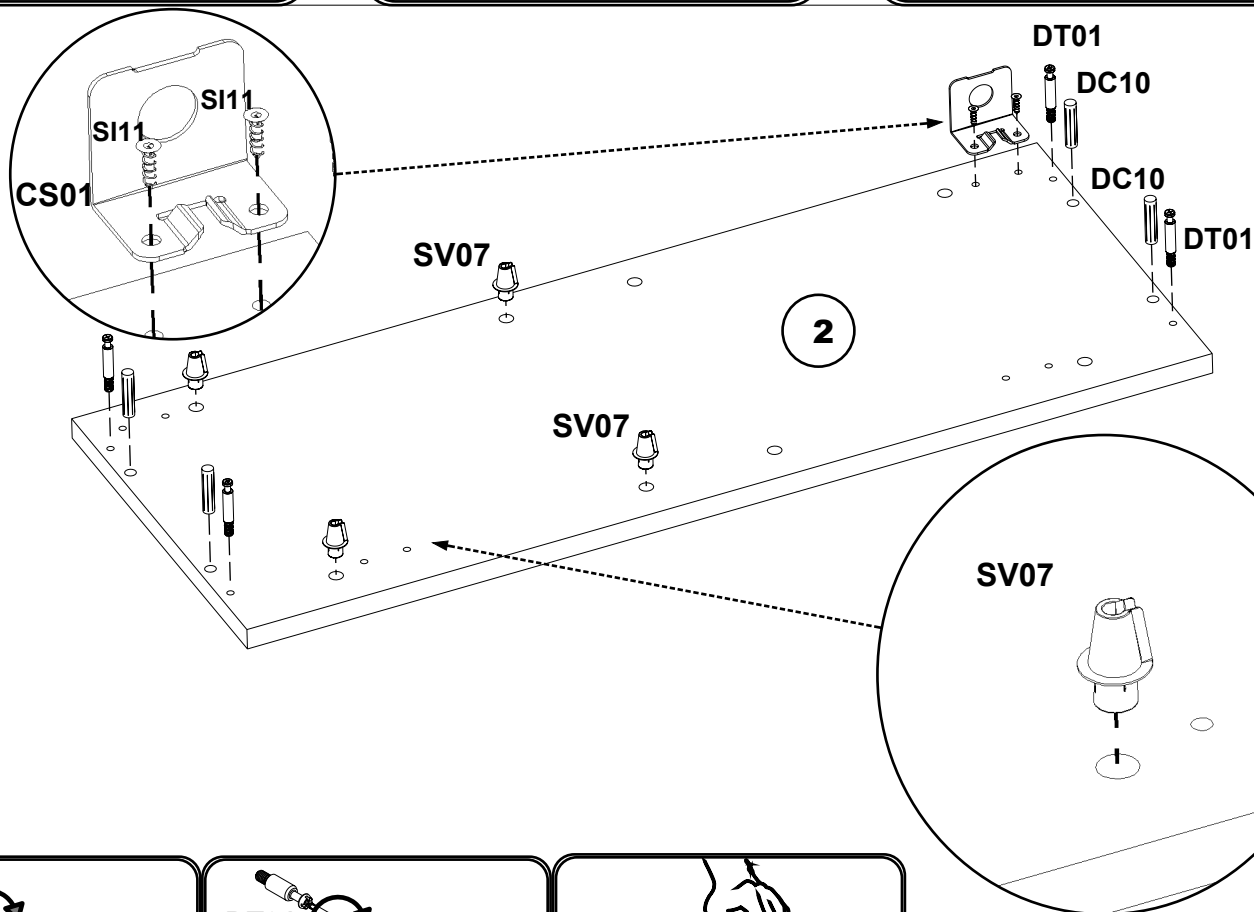
<p>DC01</p>  <p>x12</p>	<p>DT01</p>  <p>x12</p>	<p>CS01</p>  <p>X3</p>
<p>SI11</p>  <p>x30</p>	<p>SV07</p>  <p>x8</p>	<p>SA01</p>  <p>x4</p>
<p>CT01</p>  <p>≈ 60</p>	<p>DC10</p>  <p>x8</p>	<p>HH04</p>  <p>x1</p>
<p>BL03</p>  <p>x2</p>	<p>BL01</p>  <p>x4</p>	<p>PH01</p>  <p>x2</p>
<p>SV05</p>  <p>x1</p>	<p>SV04</p>  <p>x1</p>	<p>SV06</p>  <p>x1</p>

A

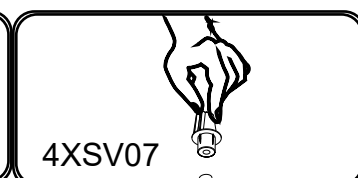
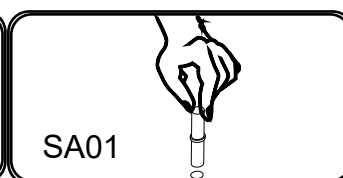
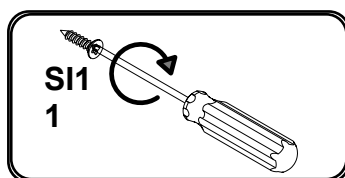
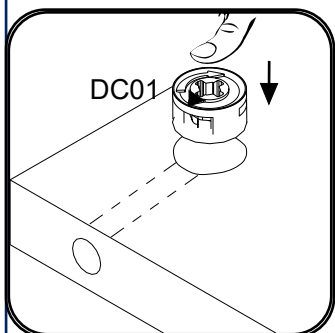
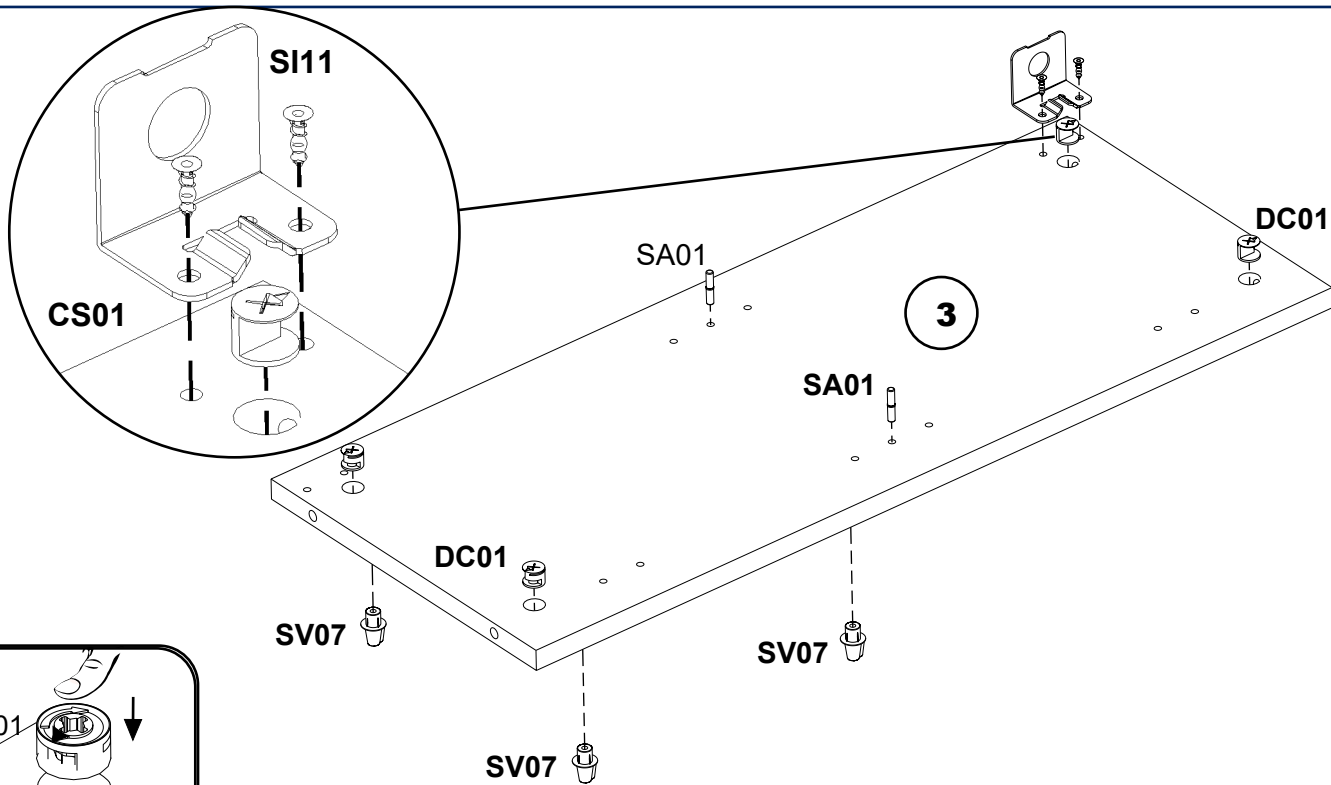
1



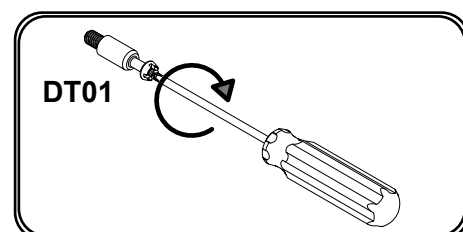
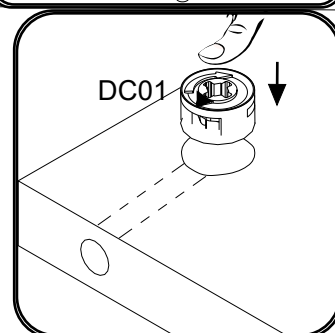
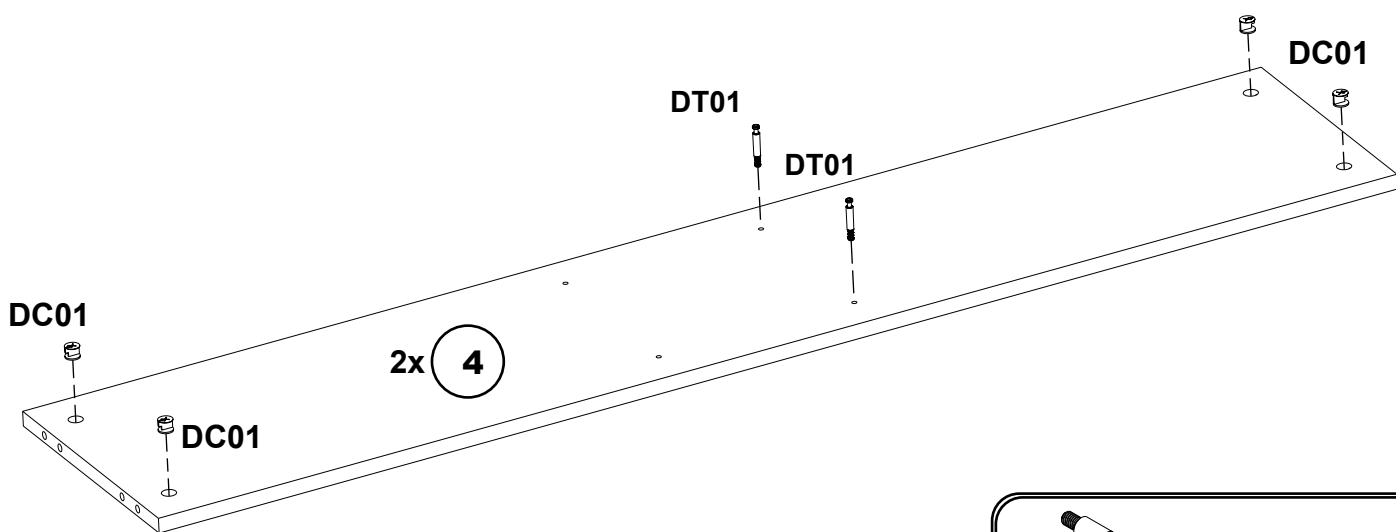
2



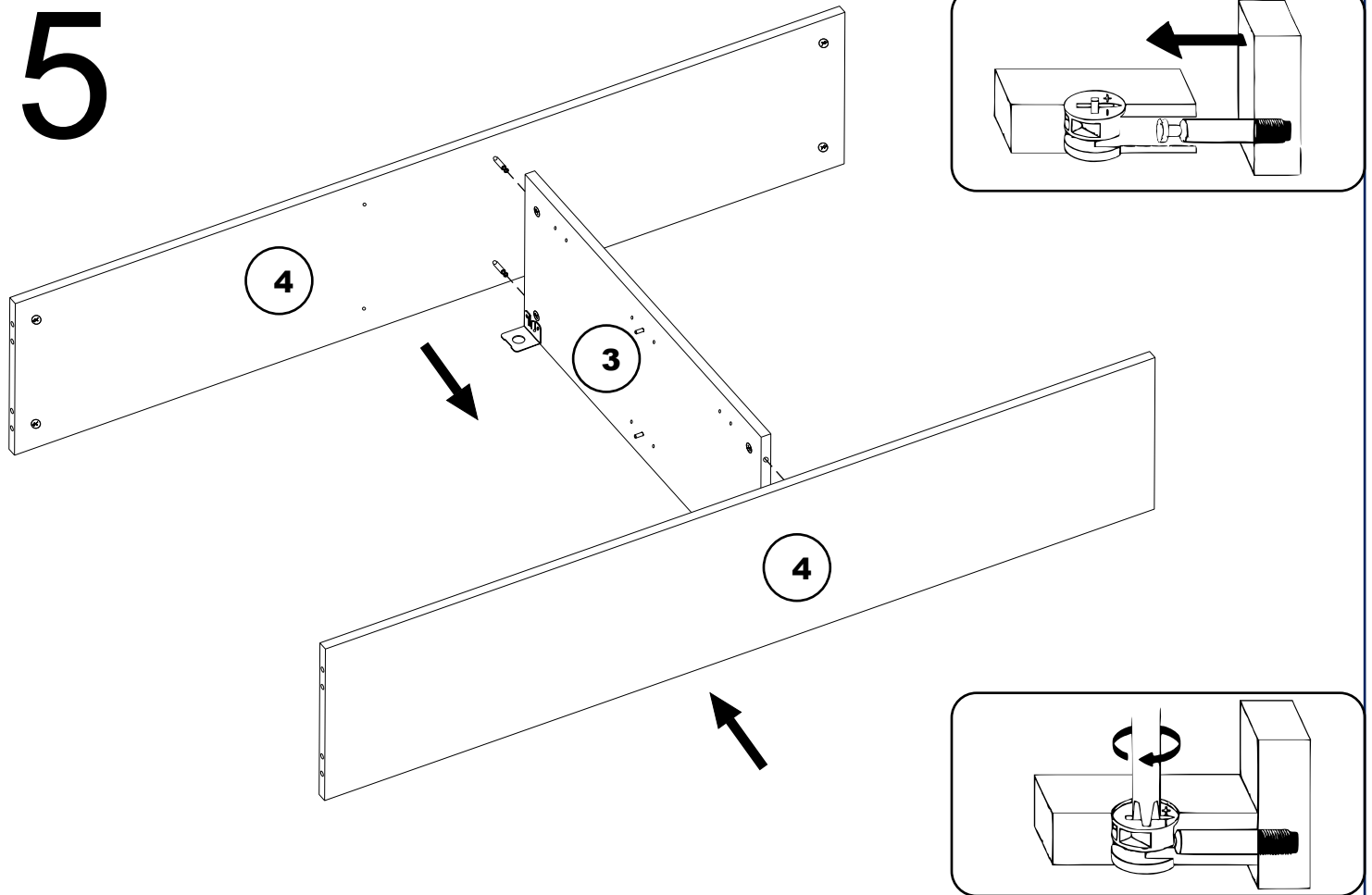
3



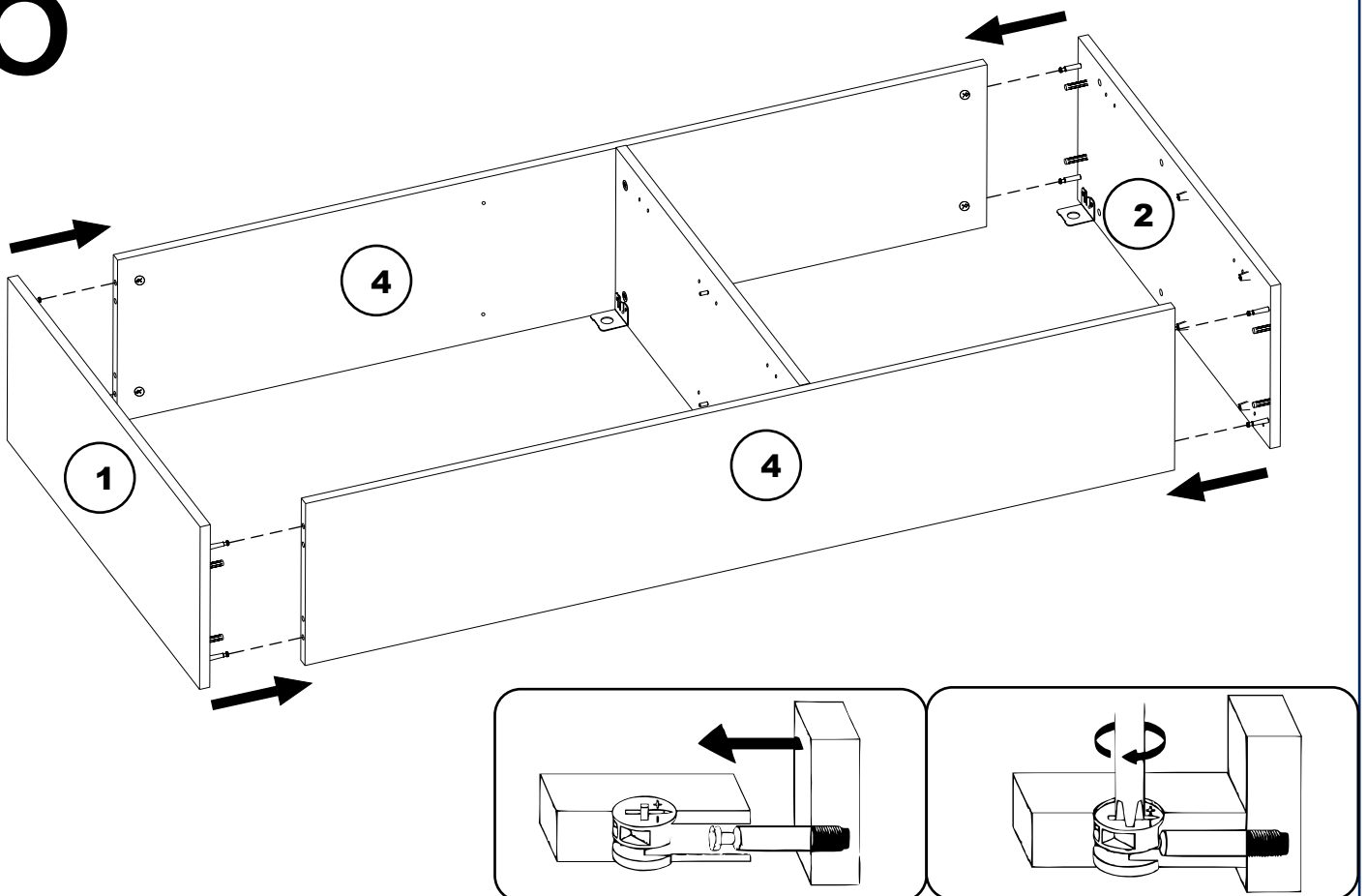
4



5

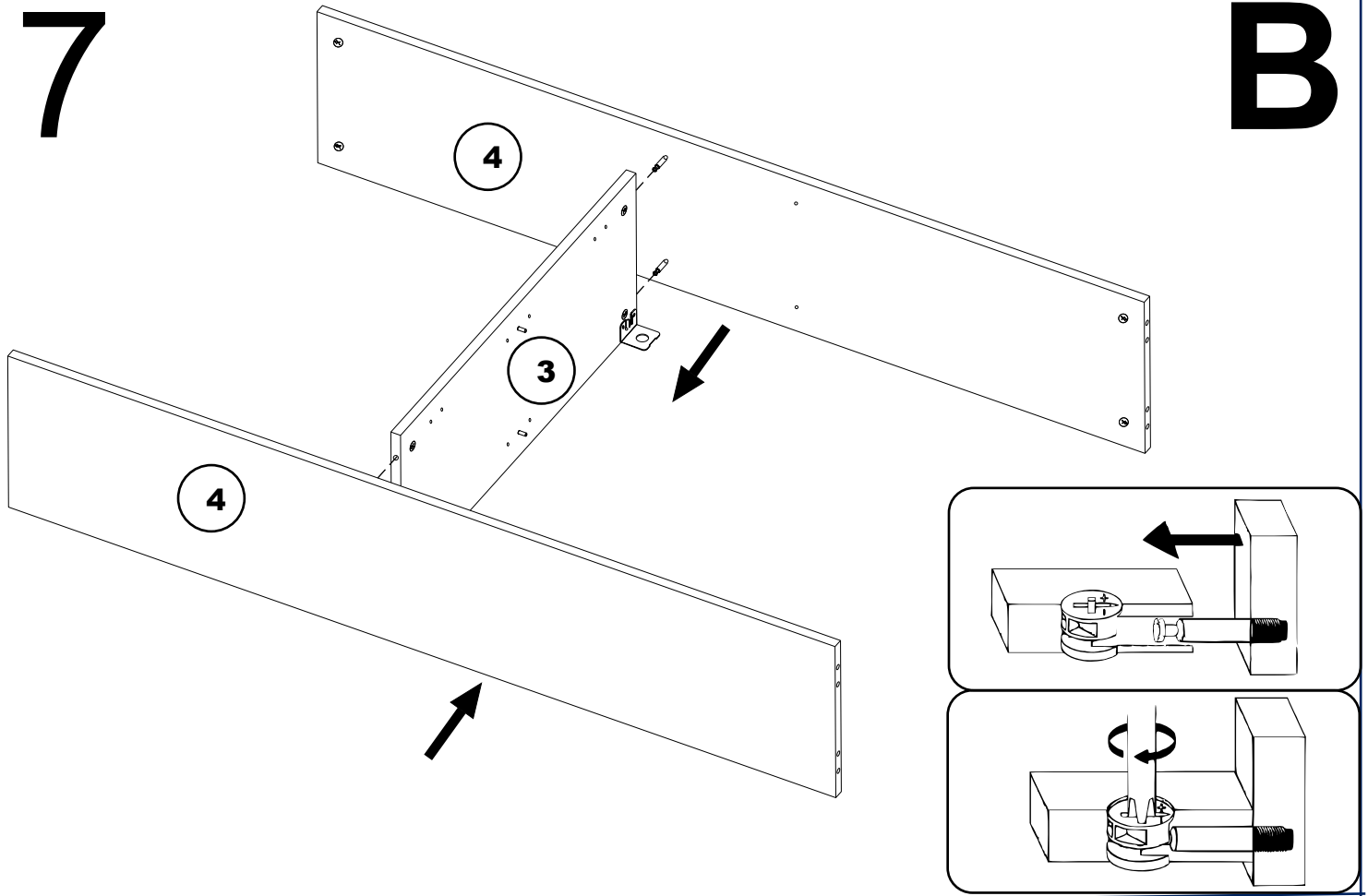


6



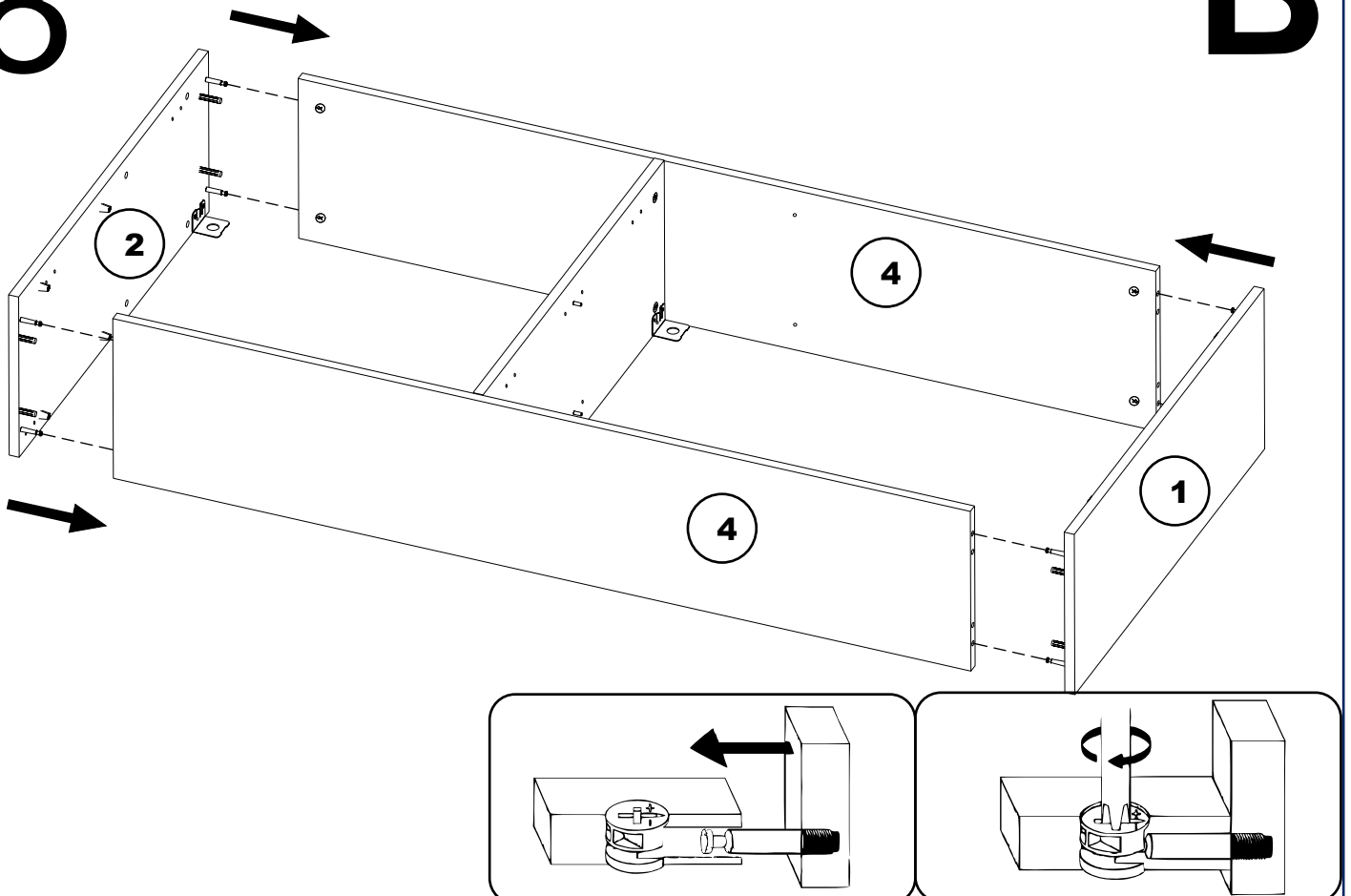
7

B

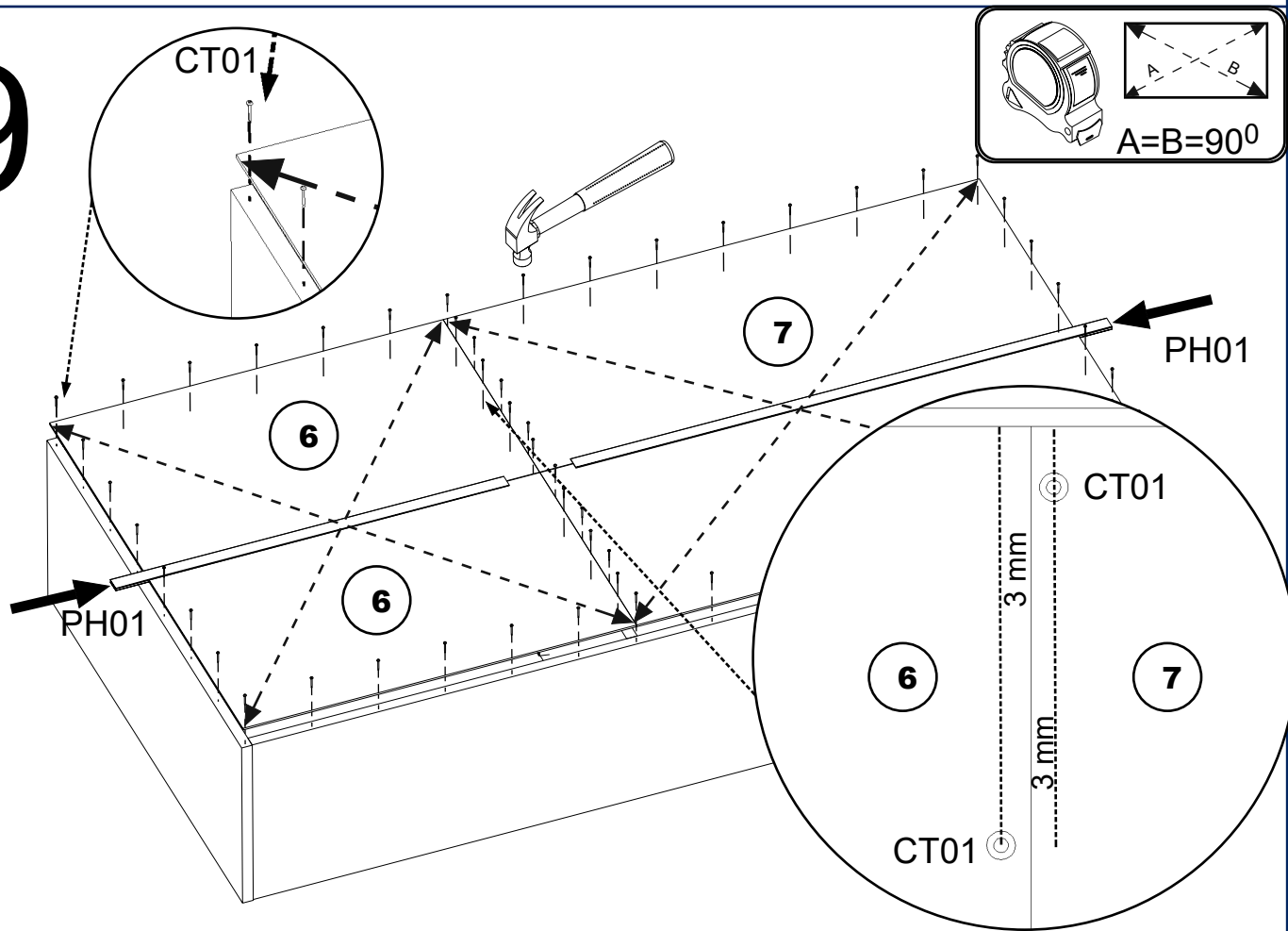


8

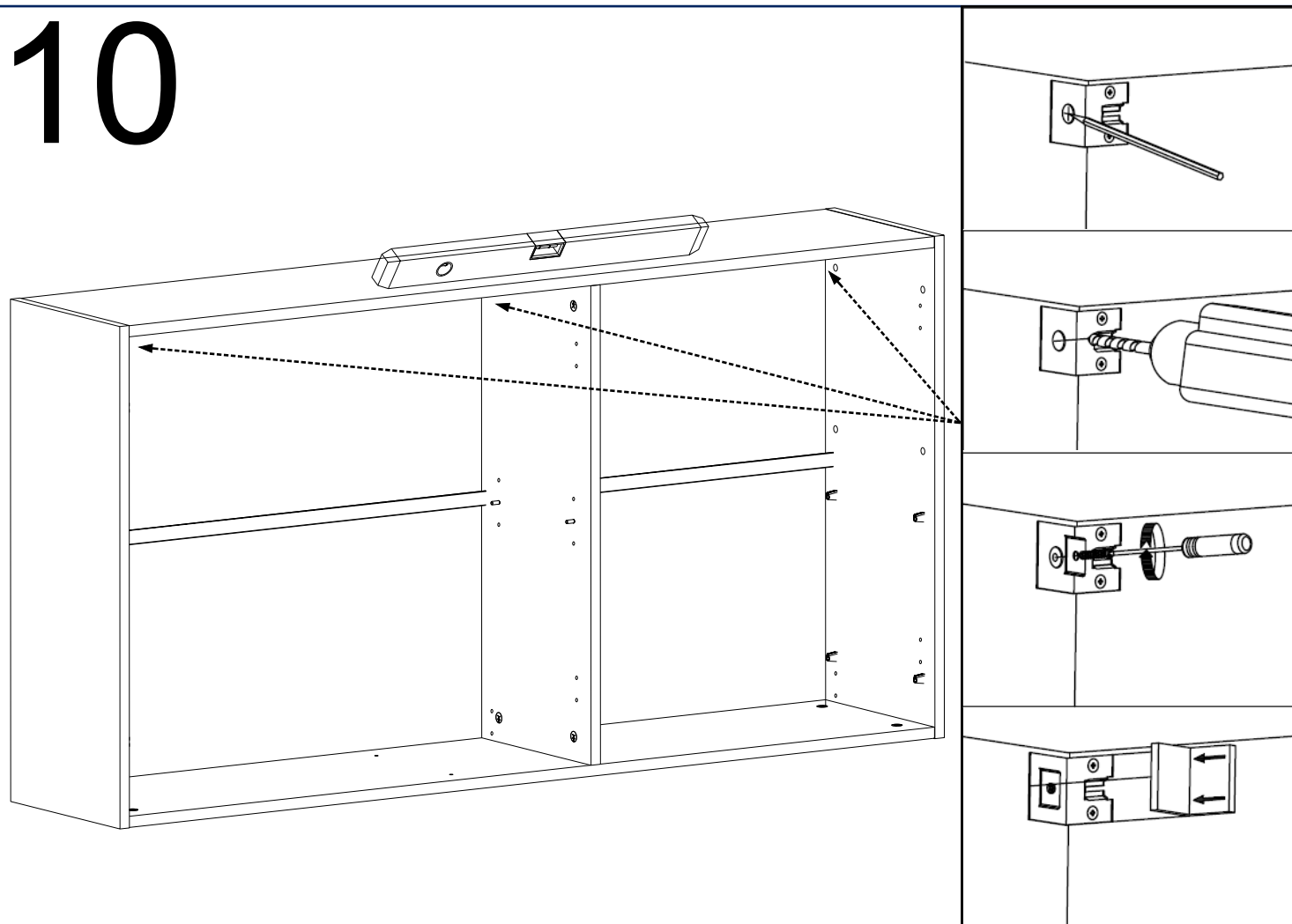
B



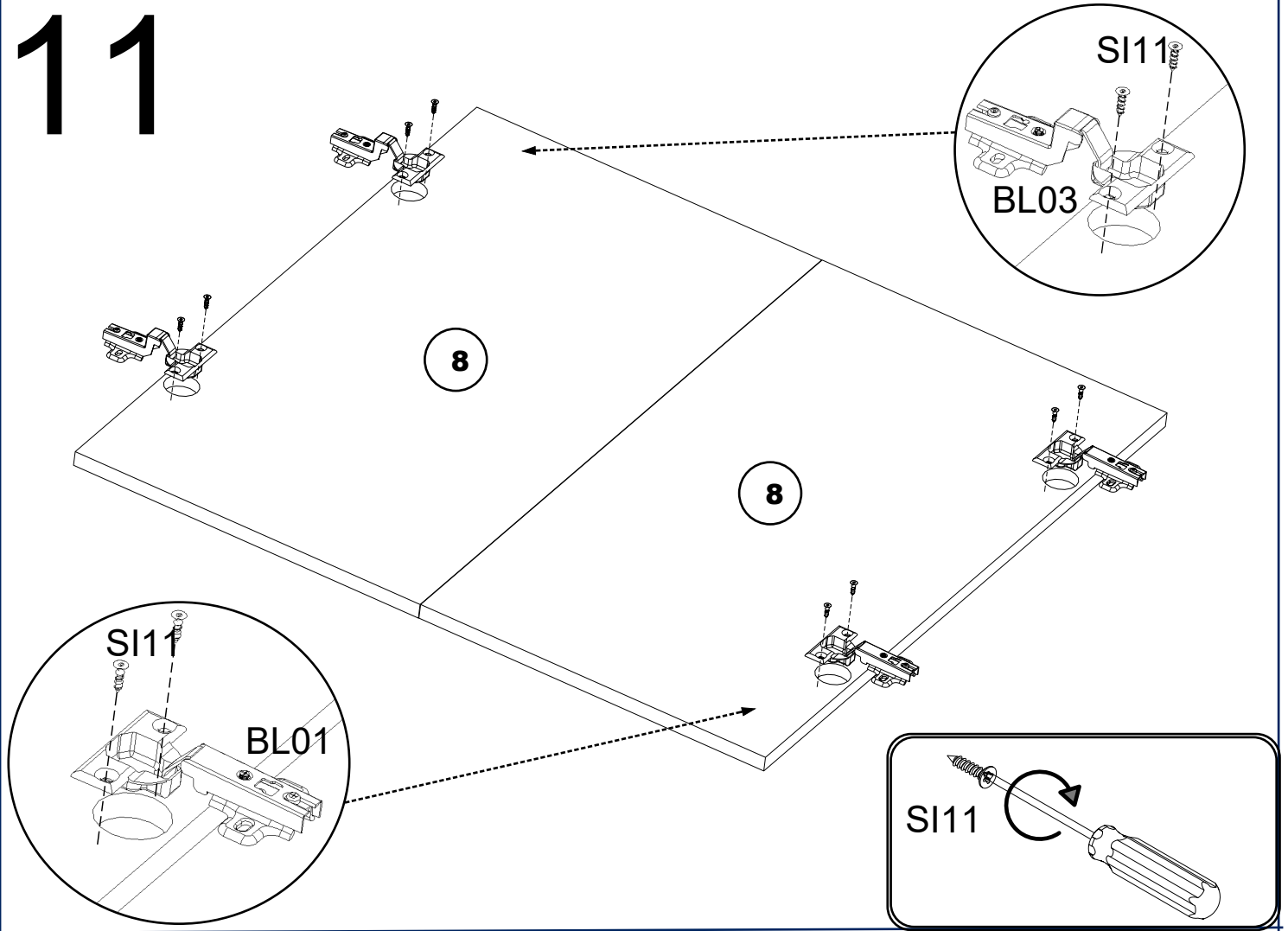
9



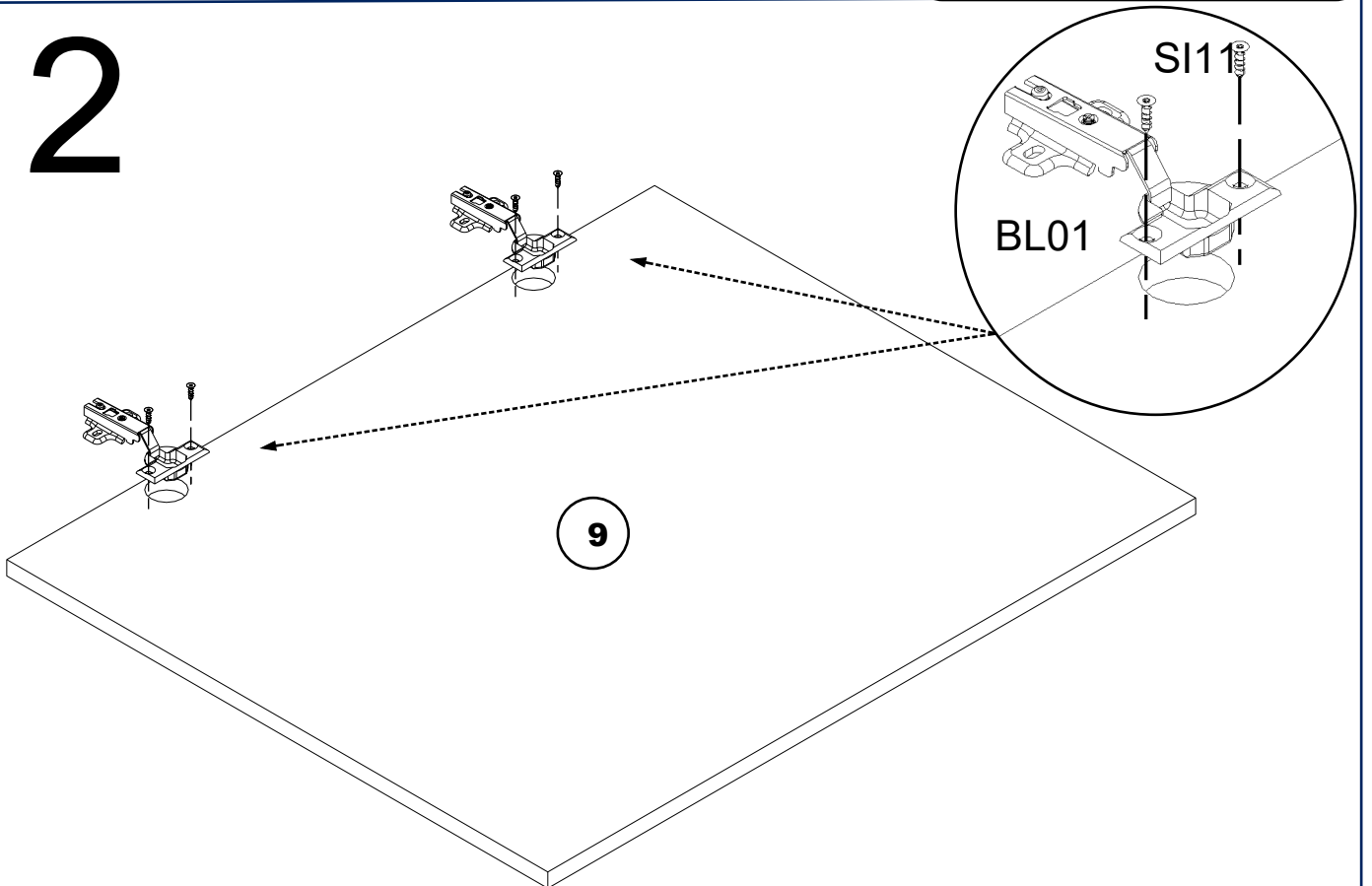
10



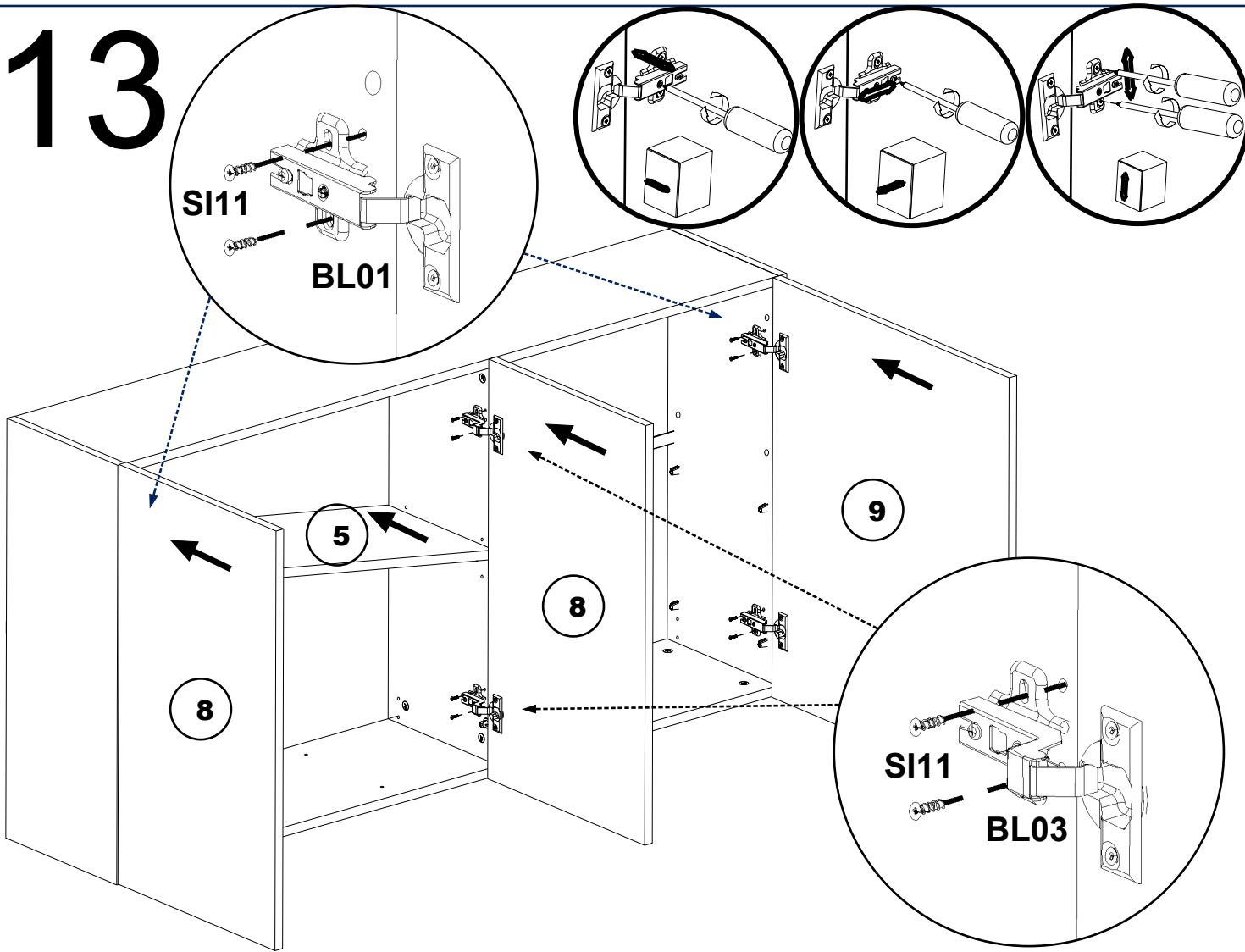
11



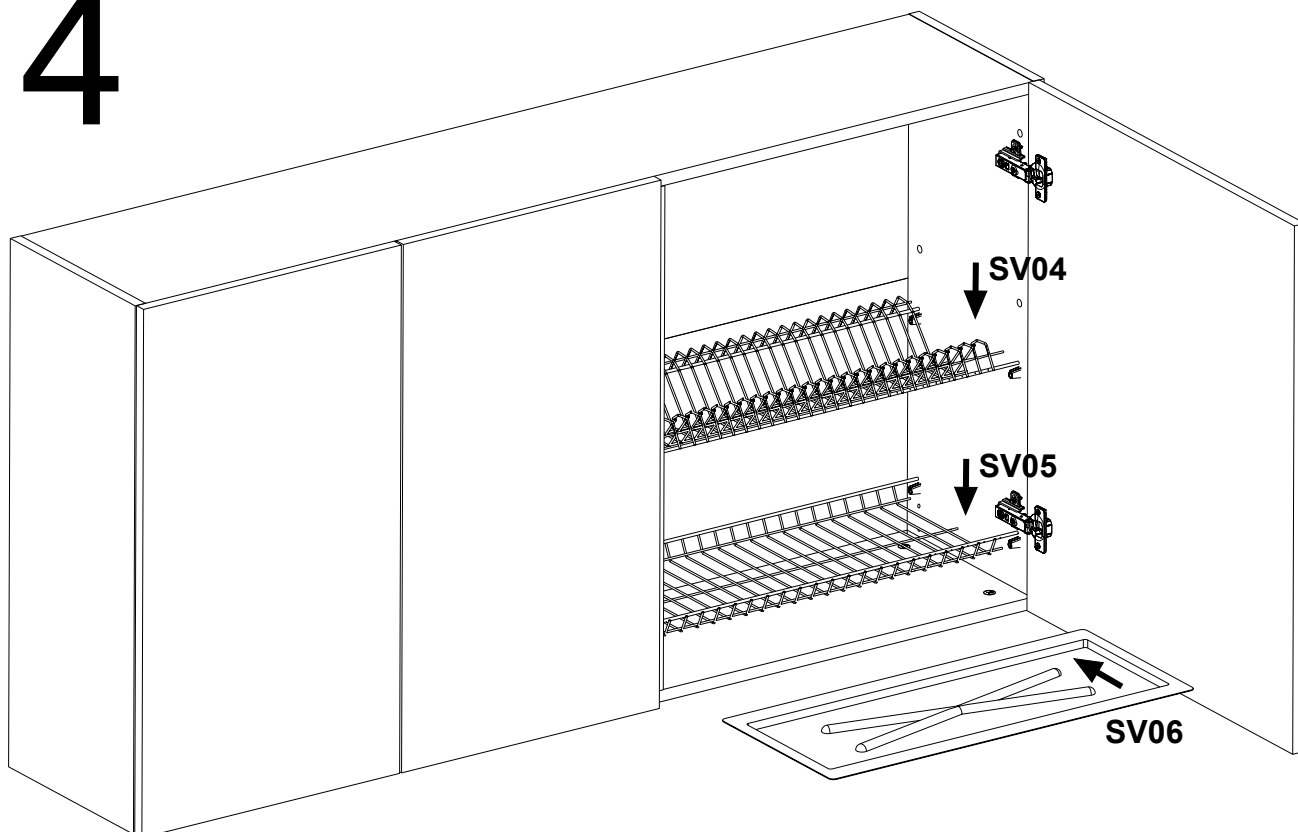
12



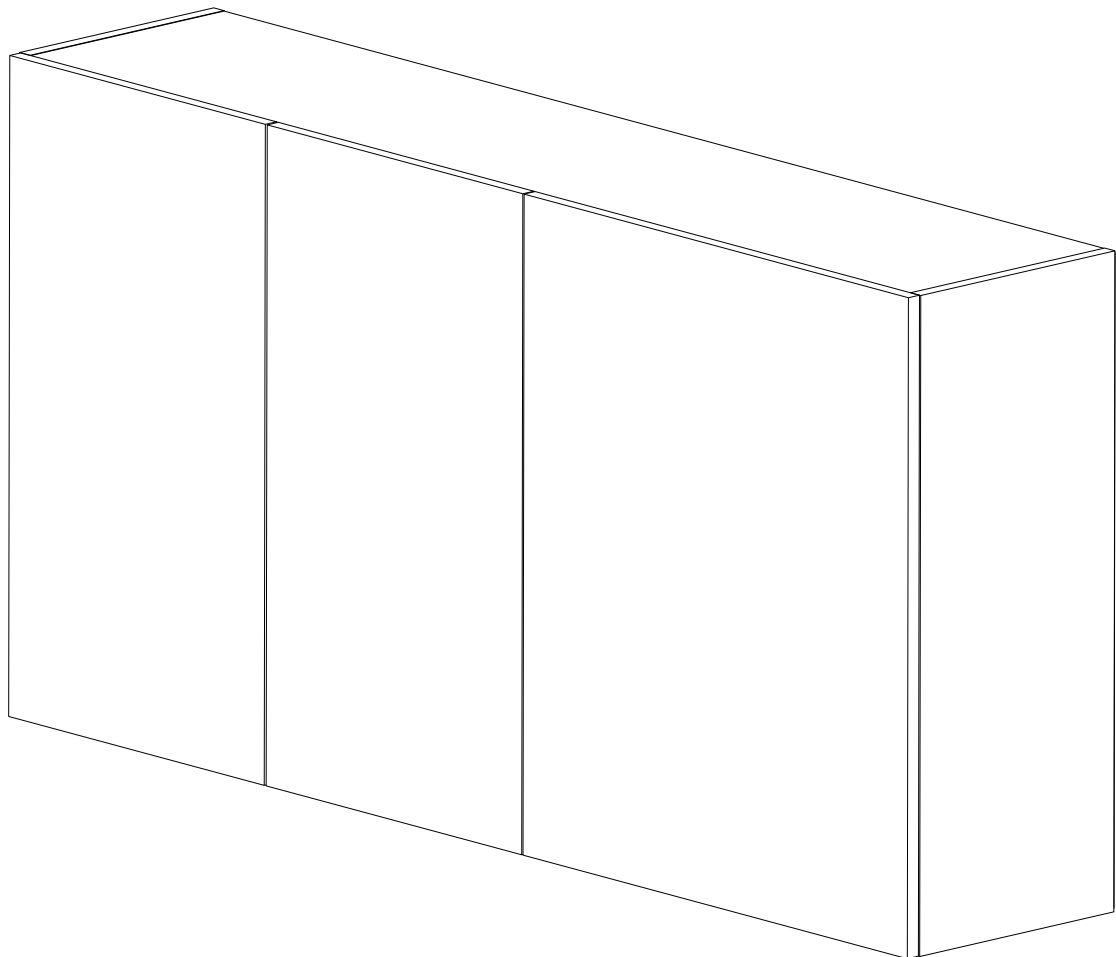
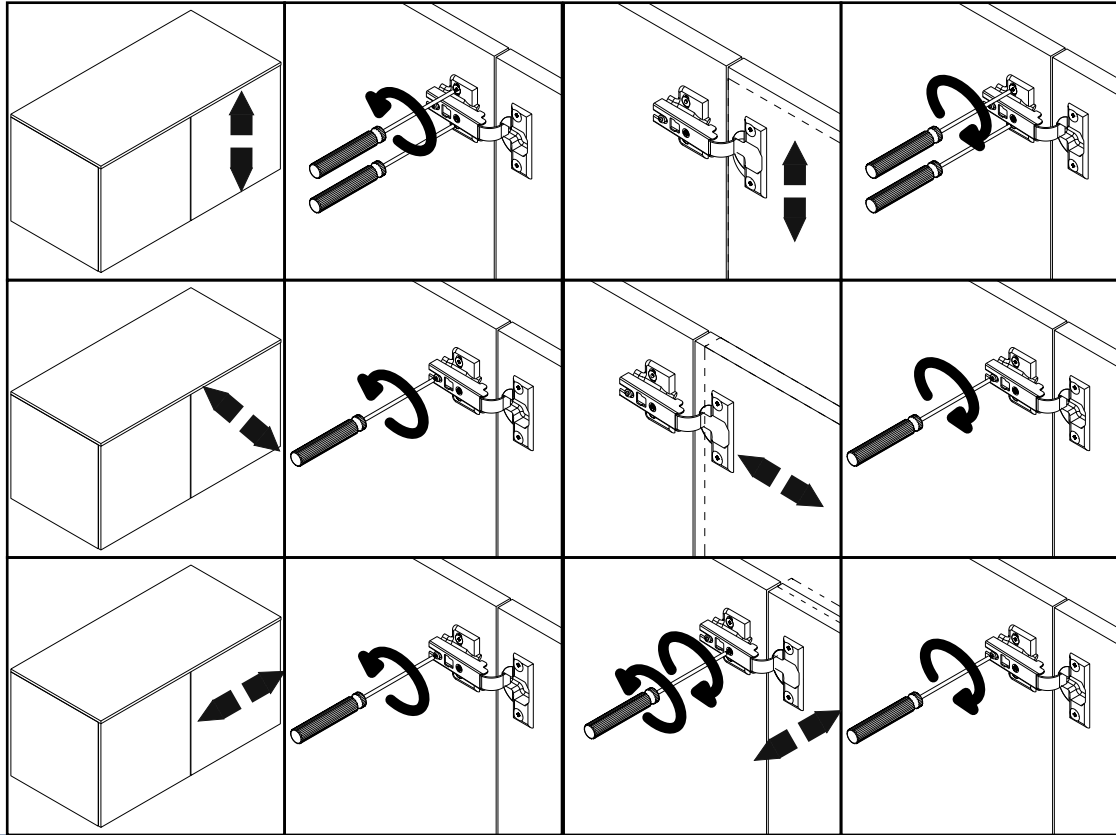
13



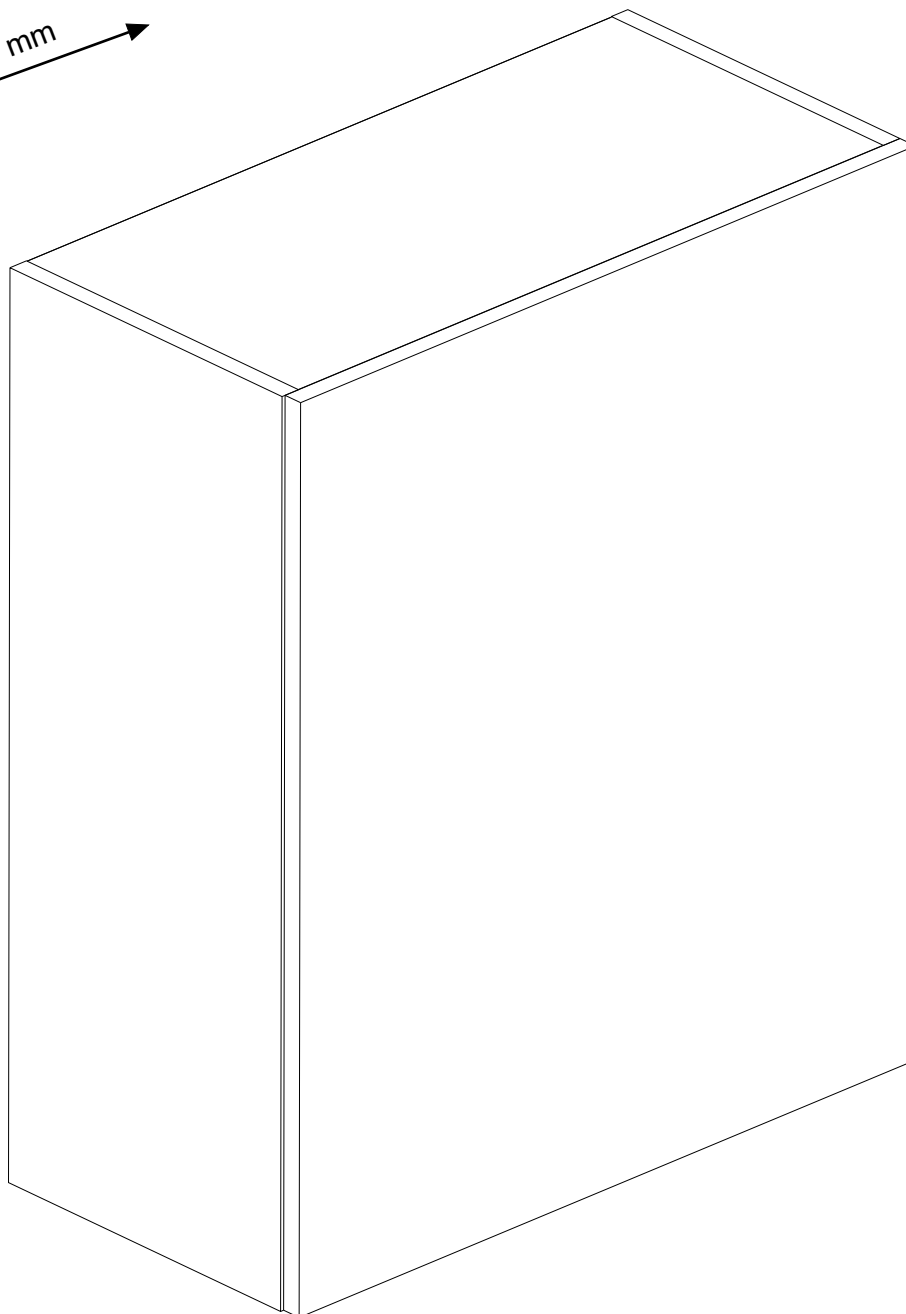
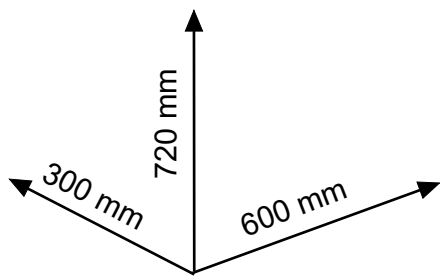
14



15

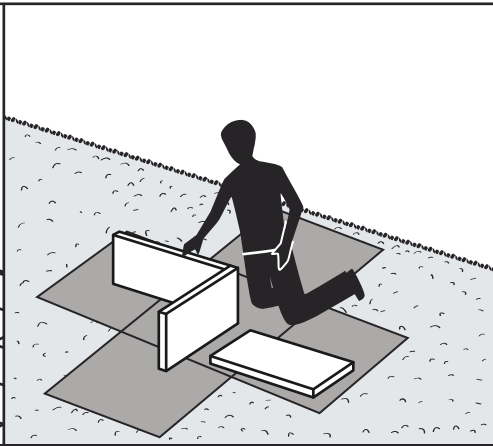
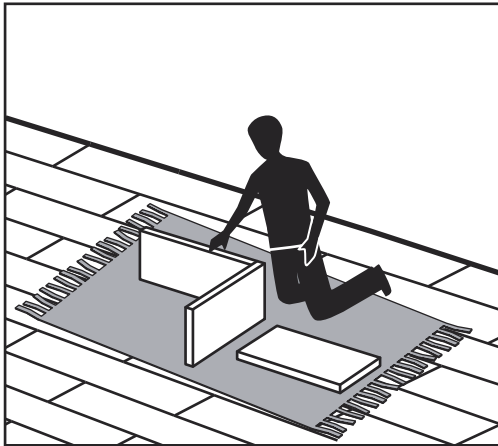
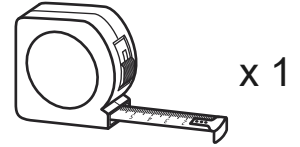
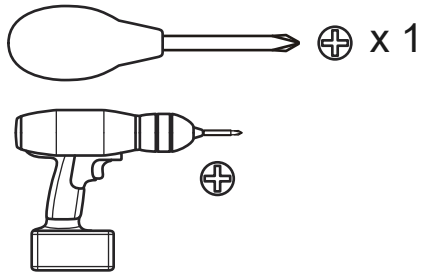


A

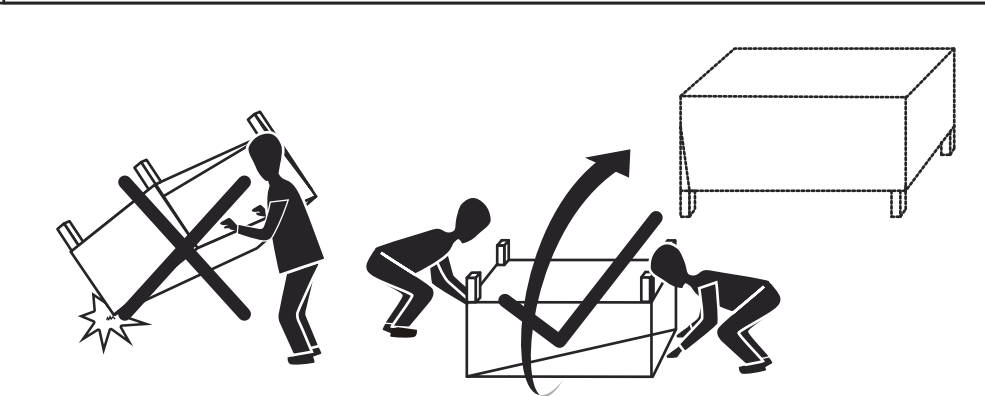
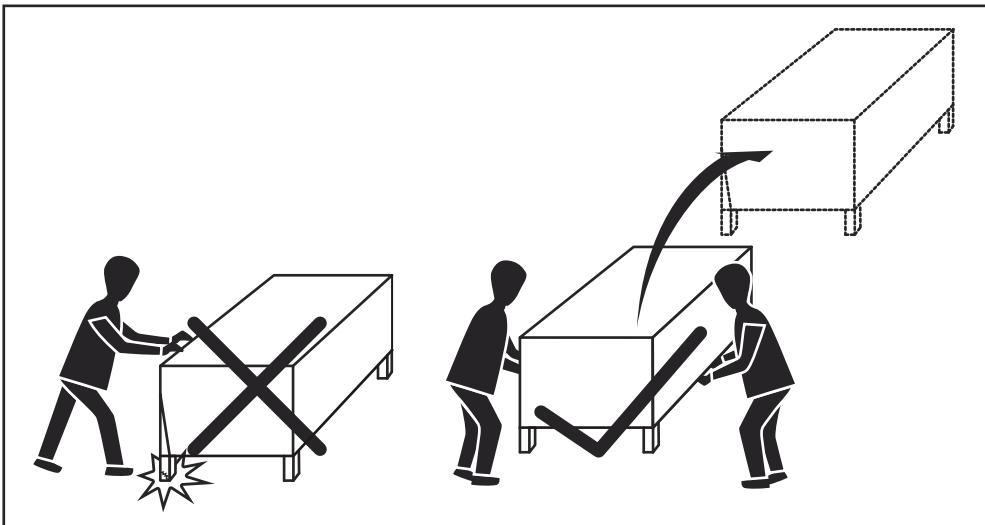
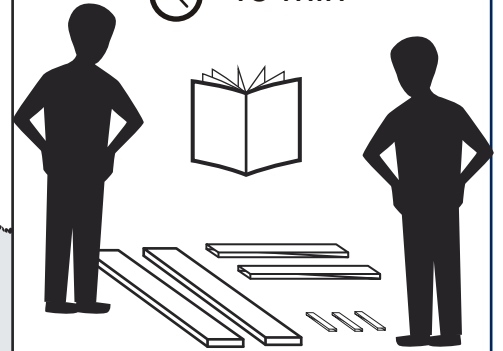


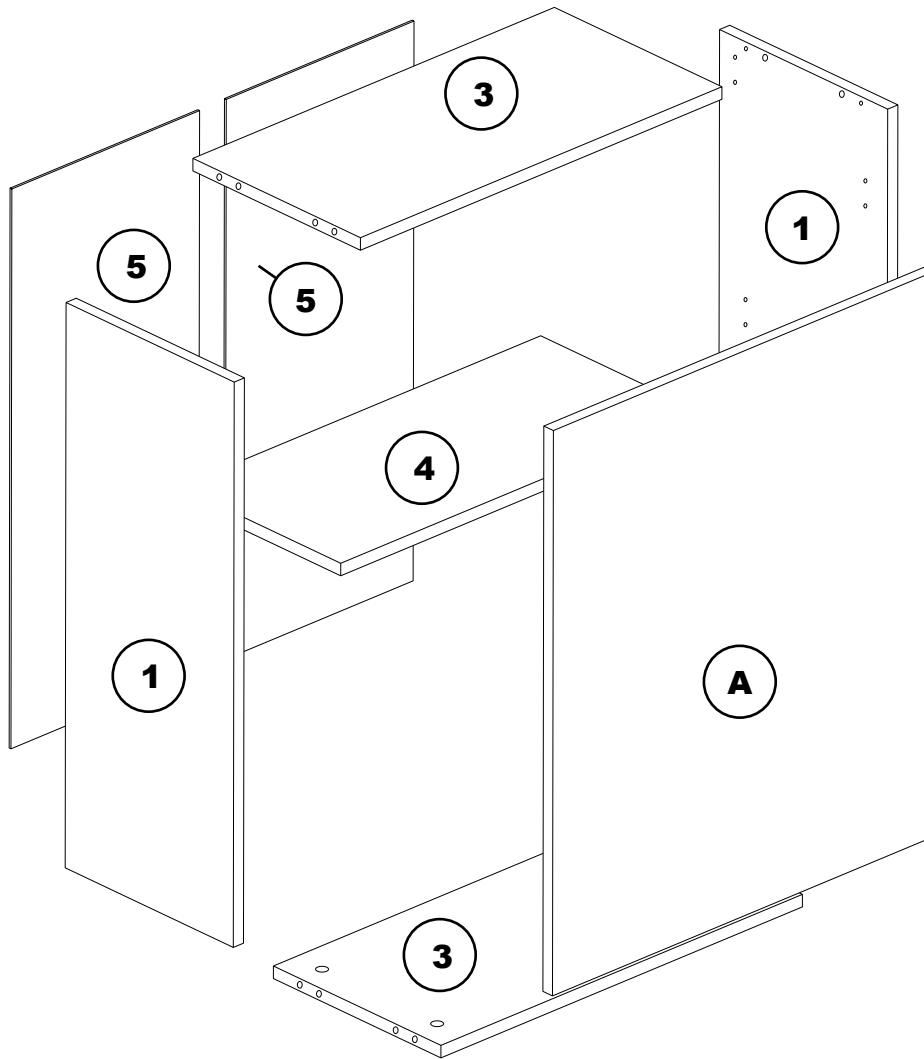
MATERIALE

Fronturi PAL
Carcasa Pal 16 mm
Spate HDF
Cant ABS 0.5 si 1 mm
Elemente de imbinare metalice si din lemn
Manere plastic

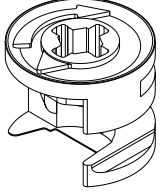
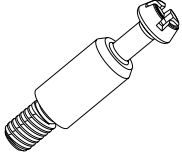
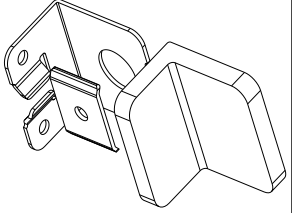
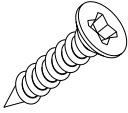
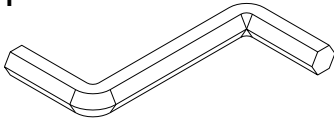
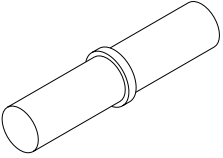
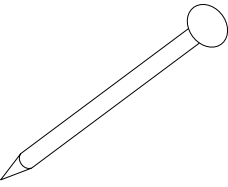
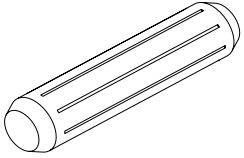
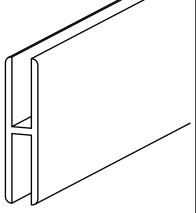
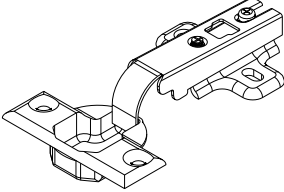


🕒 45 min



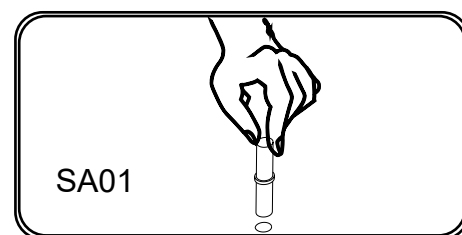
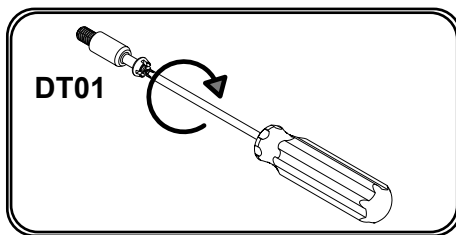
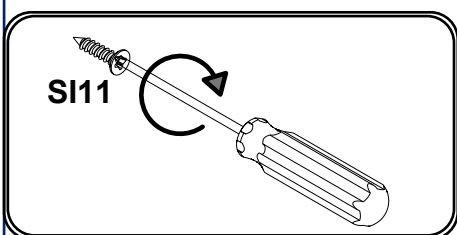
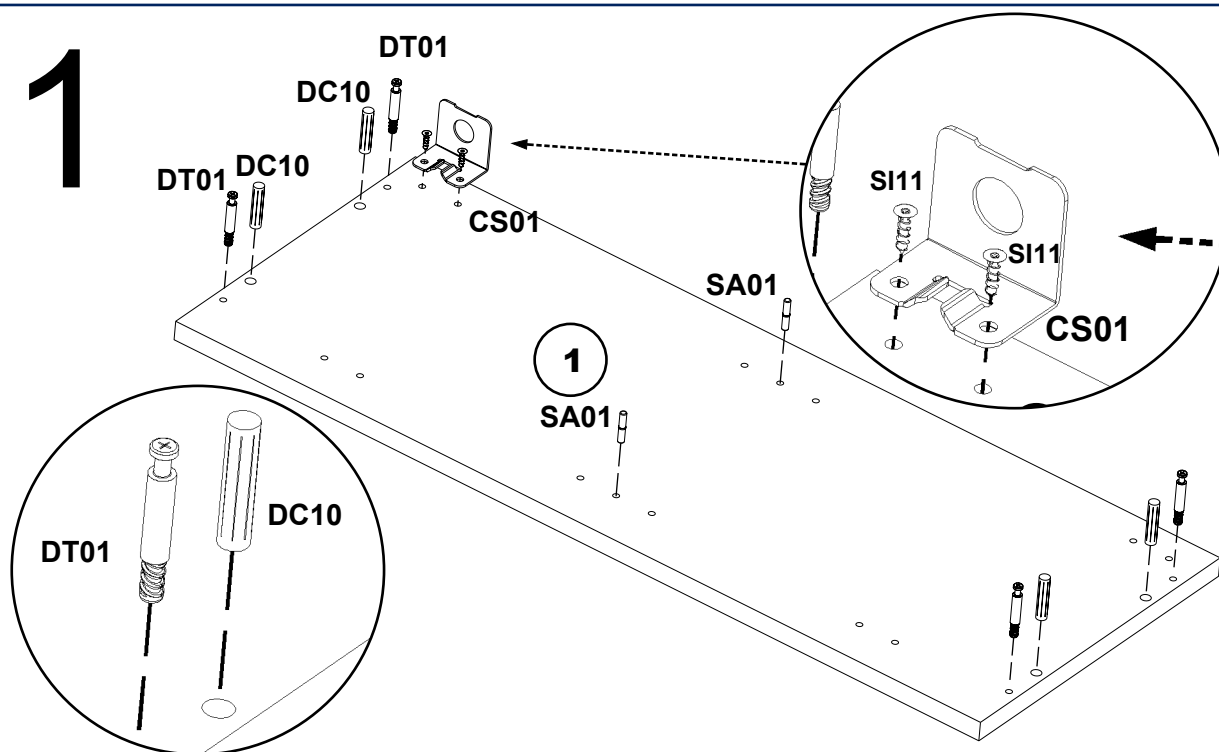


Nr.	Cod	Buc
1	0901	2
3	1103	2
4	1104	1
5	1105	2
A	9093	1

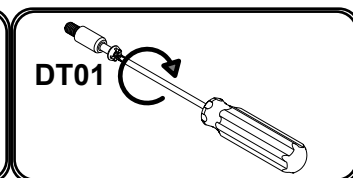
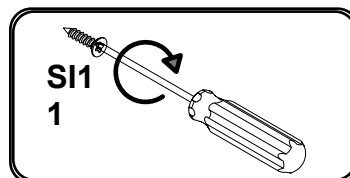
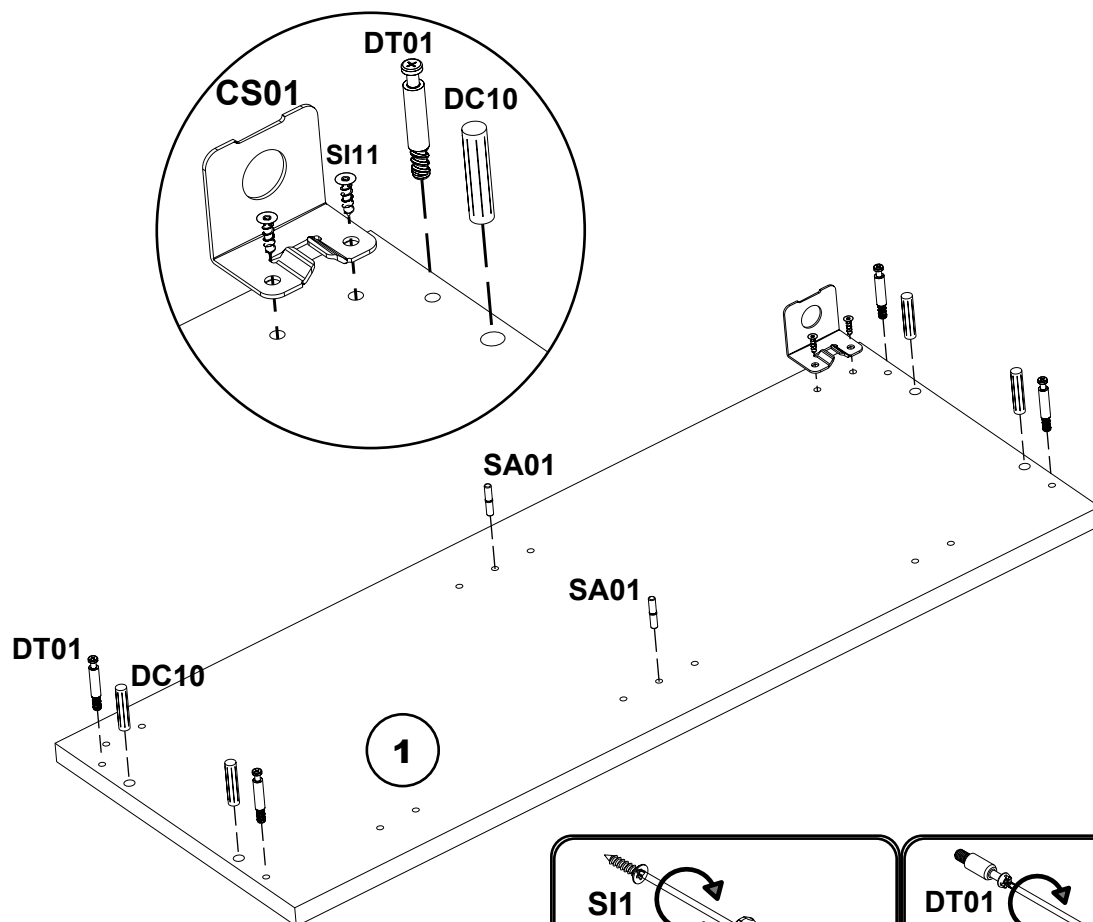
DC01 x8 	DT01 x8 	CS01 x2 
SI11 x16 	HH04 x1 	SA01 x4 
CT01 ≈ 26 	DC10 x8 	PH01 x1 
	BL01 x2 	

1

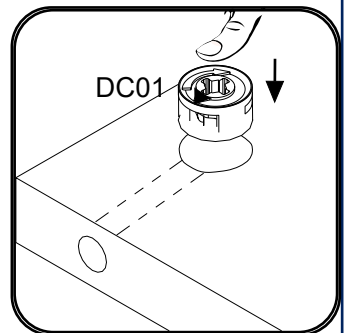
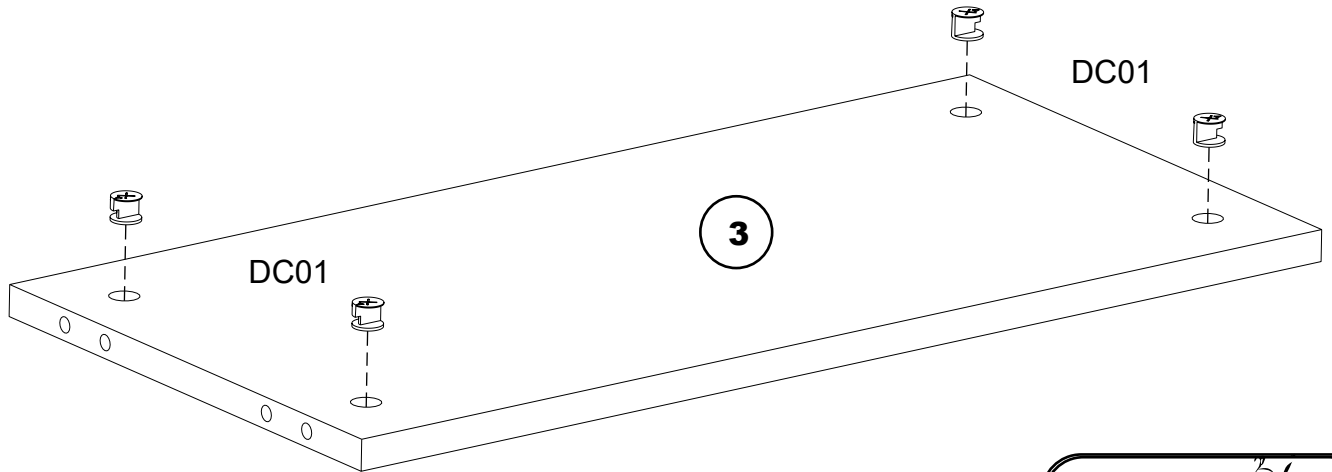
A



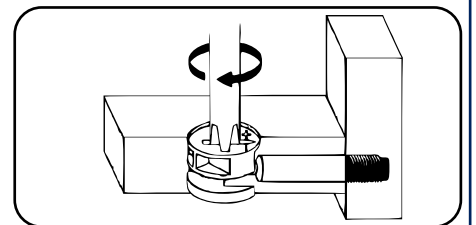
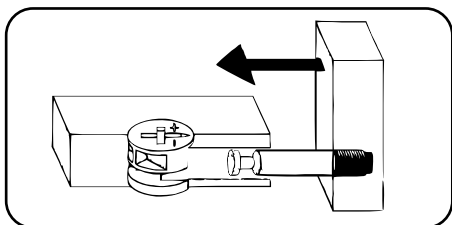
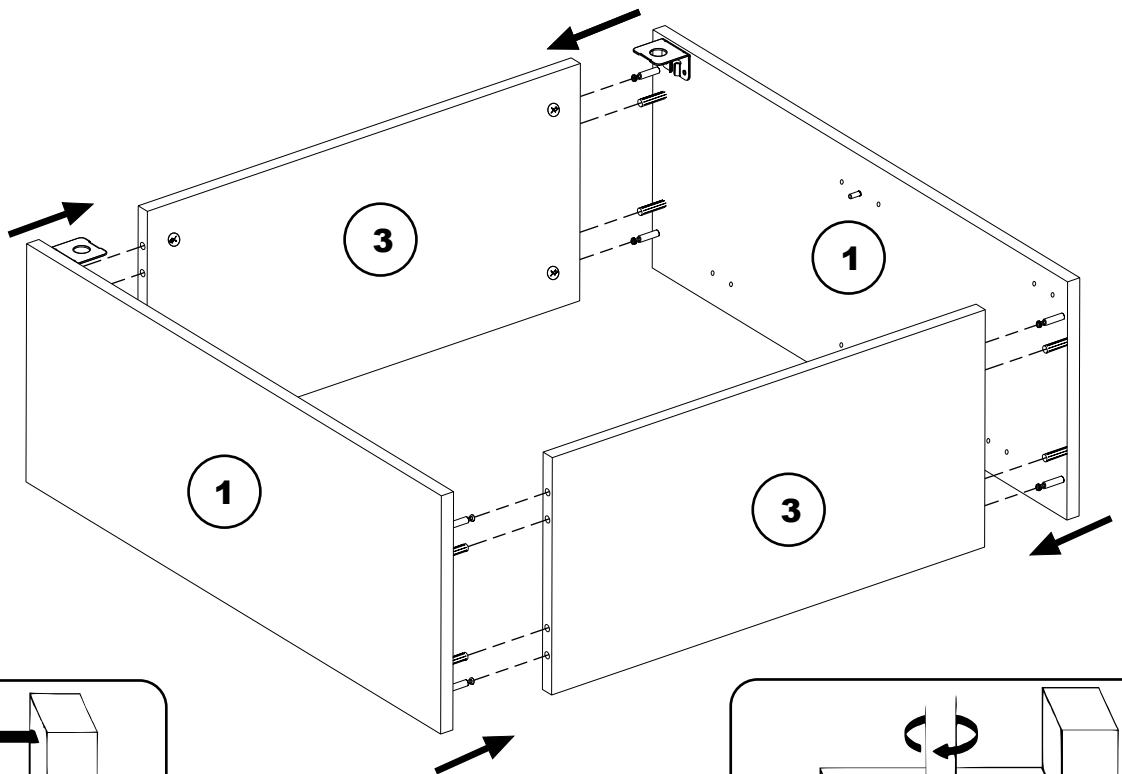
2



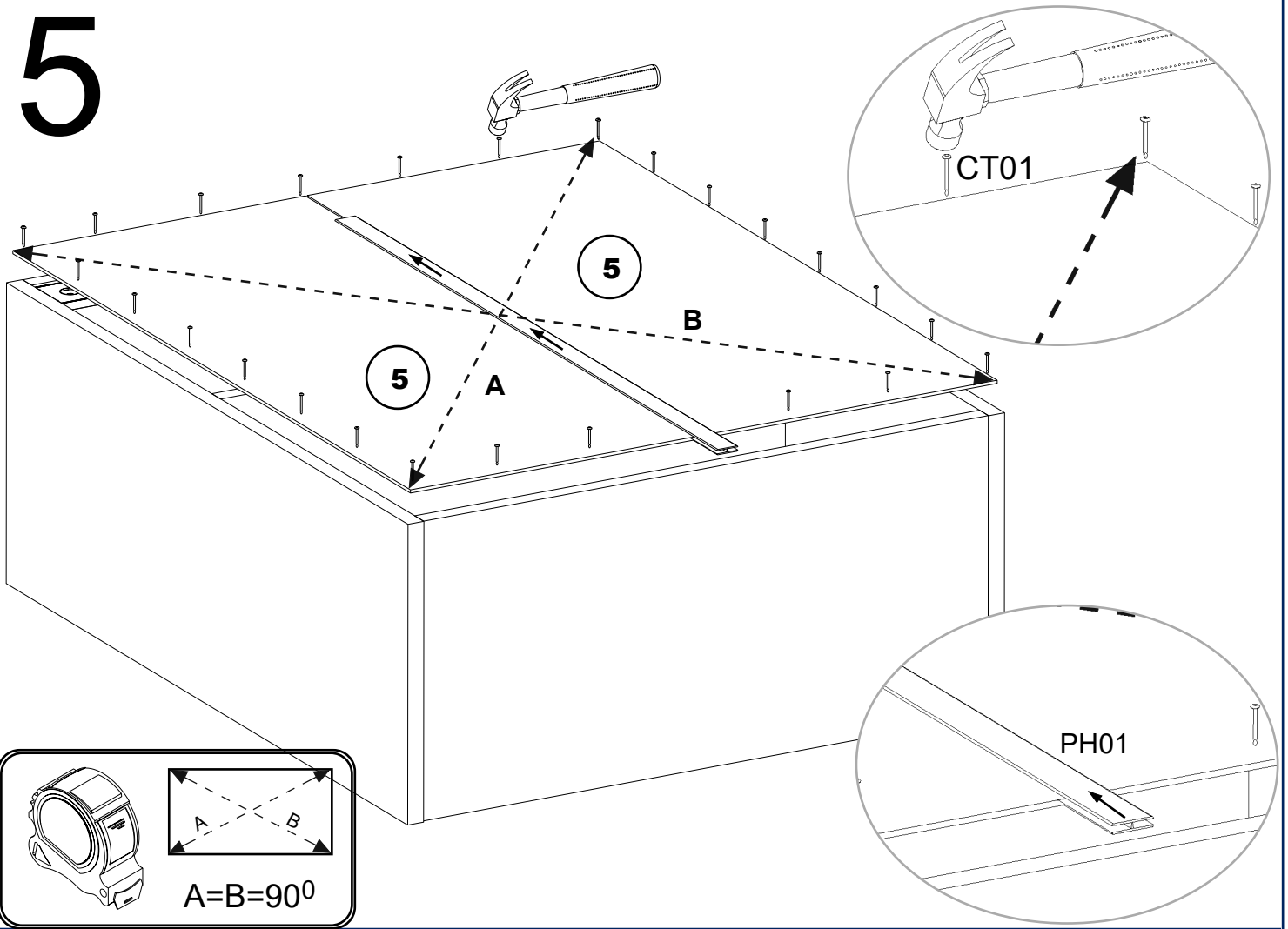
3



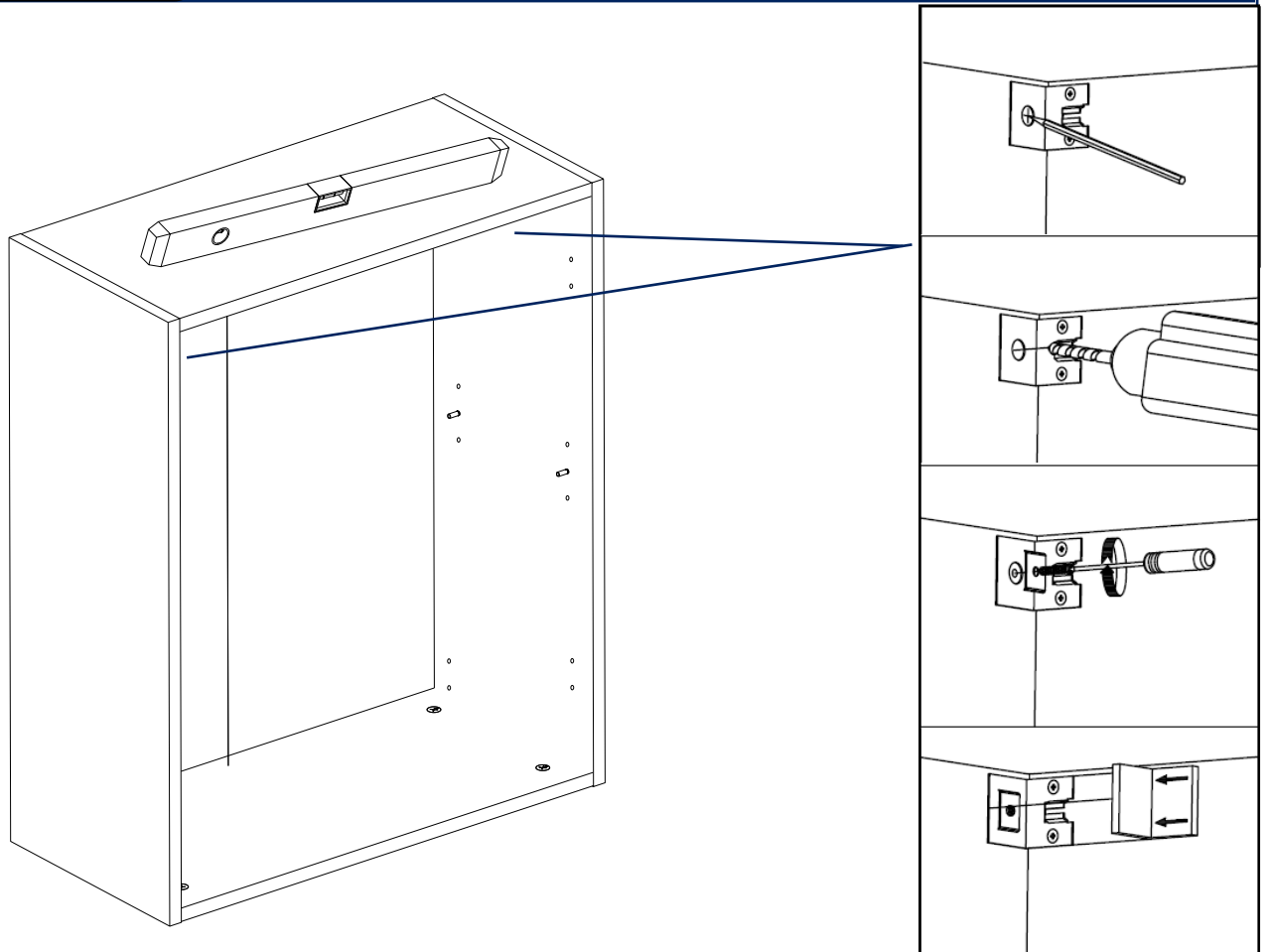
4



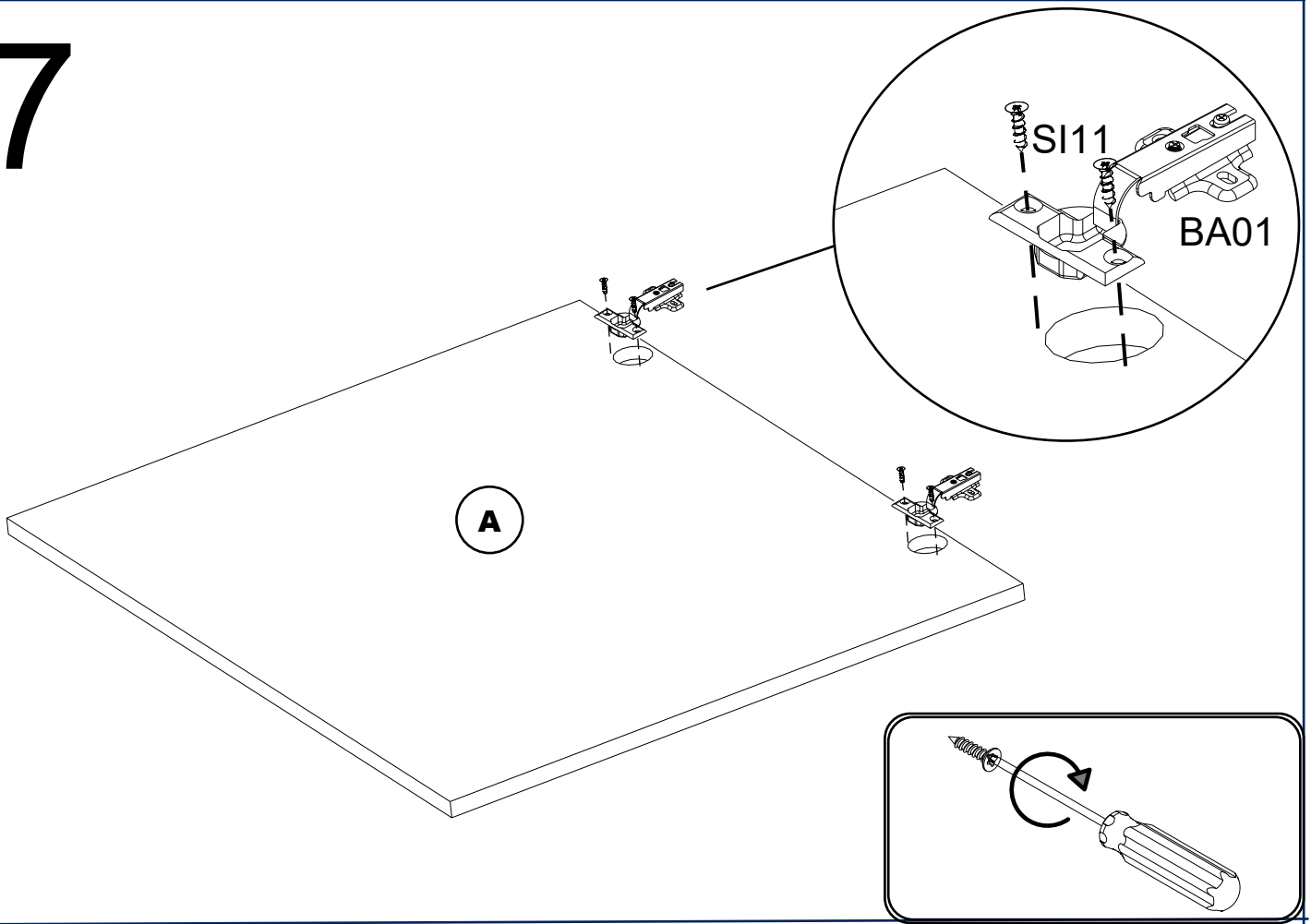
5



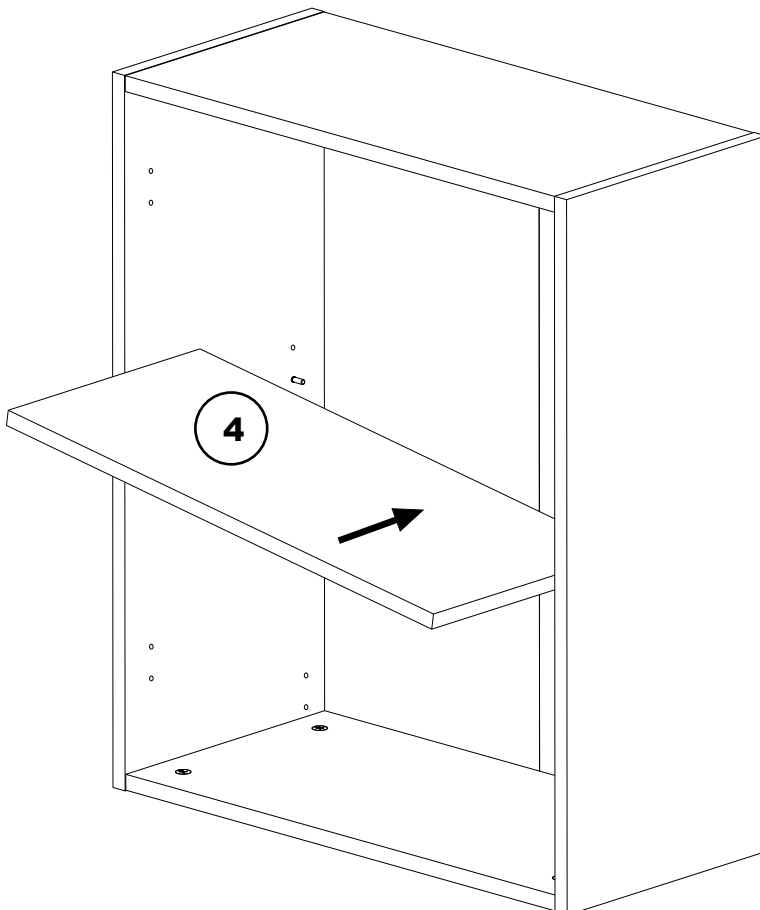
6



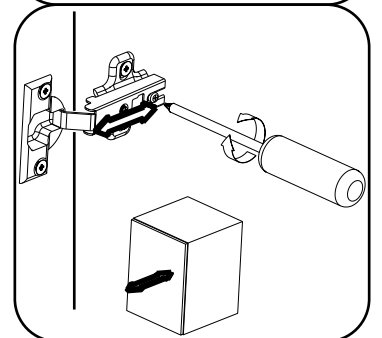
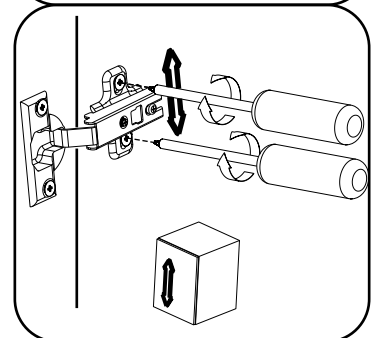
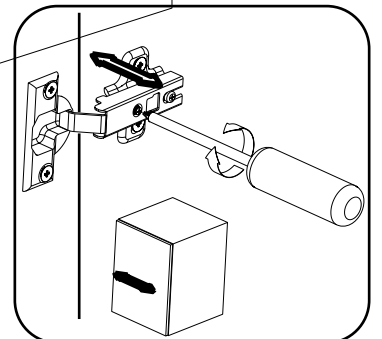
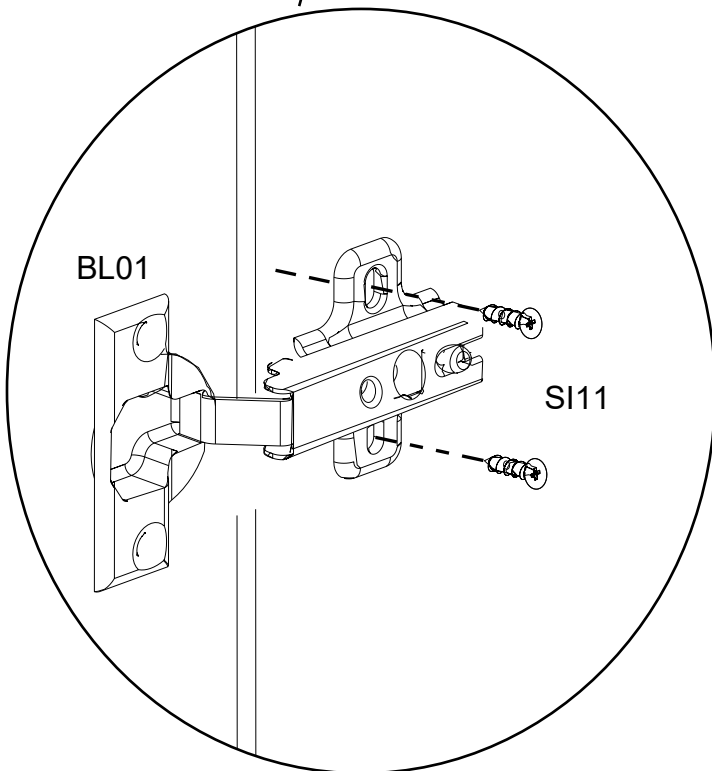
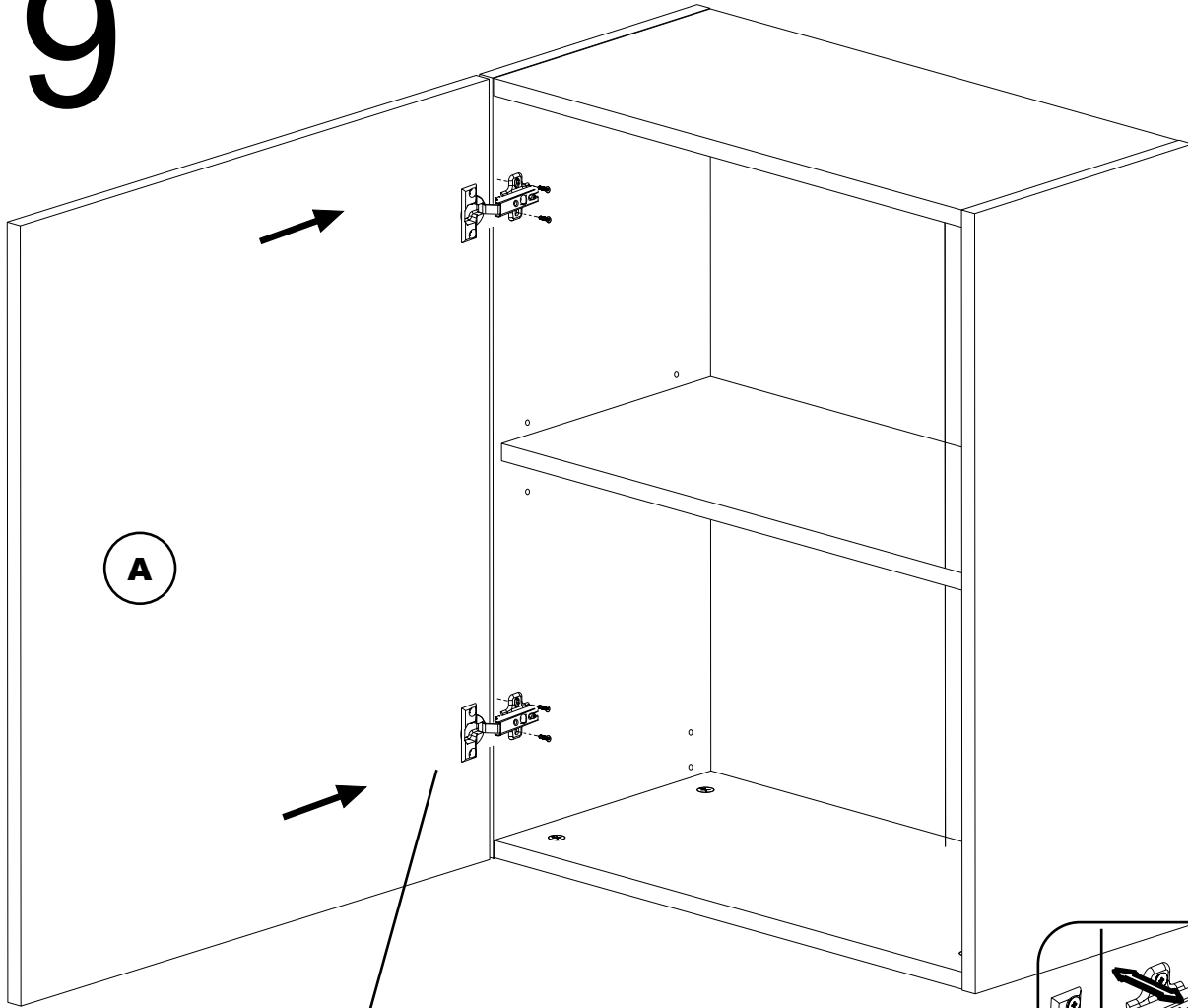
7

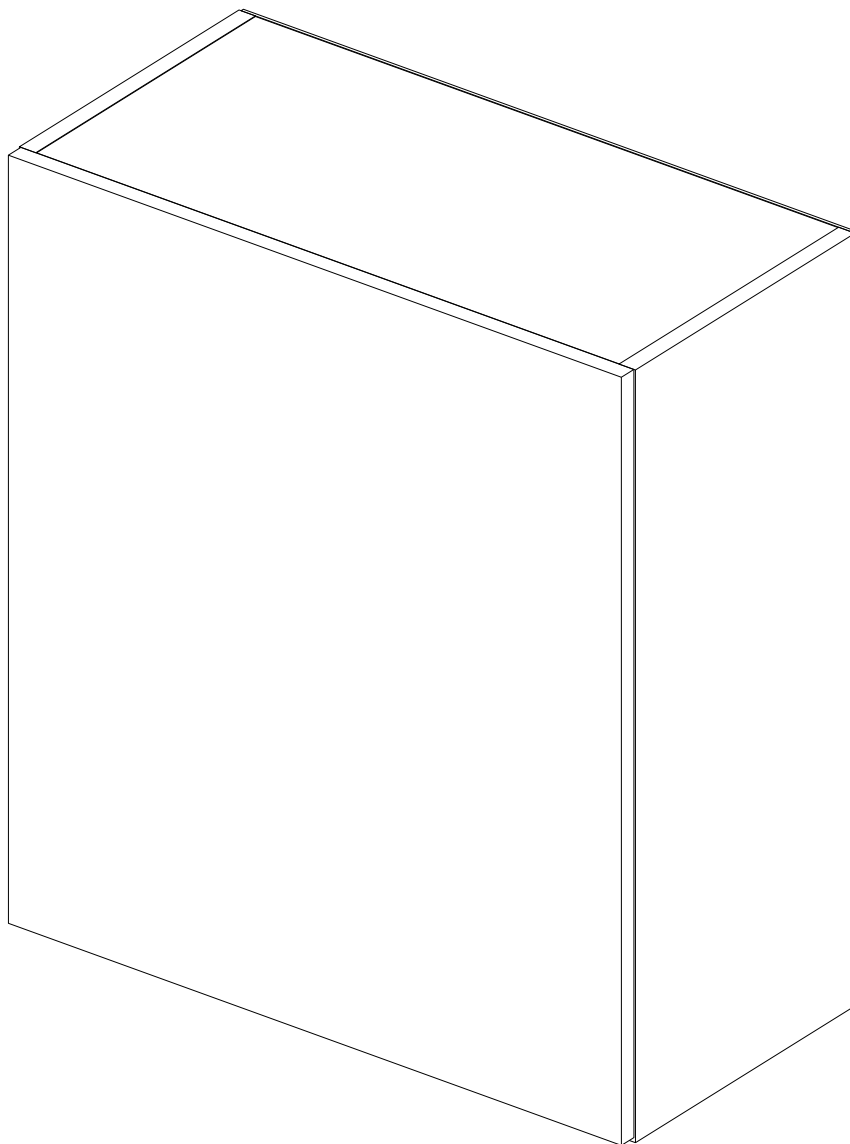
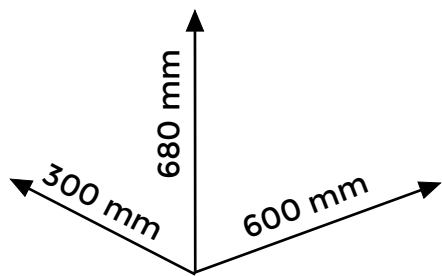


8



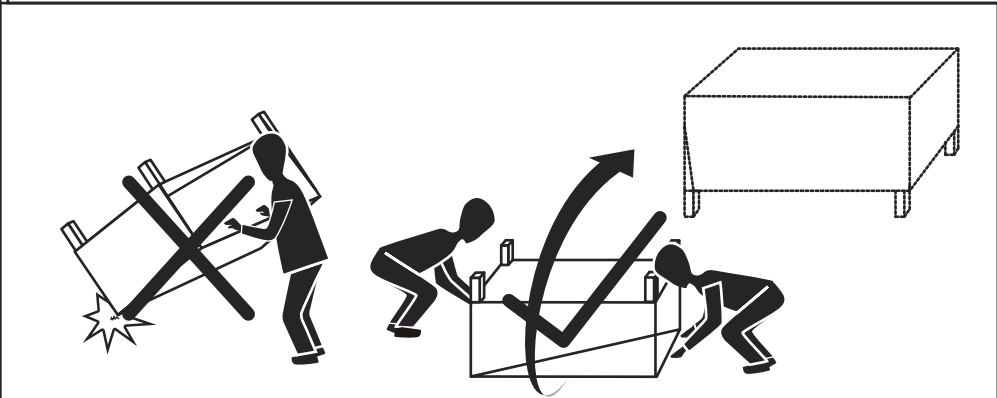
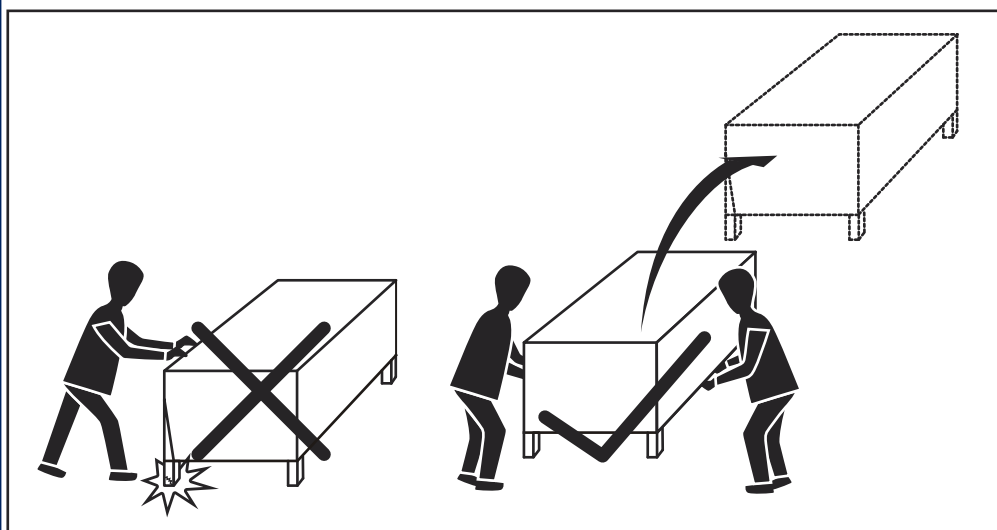
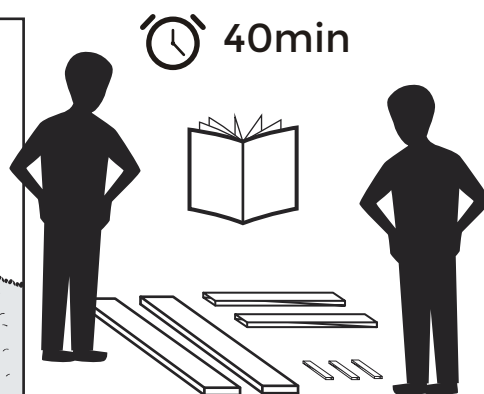
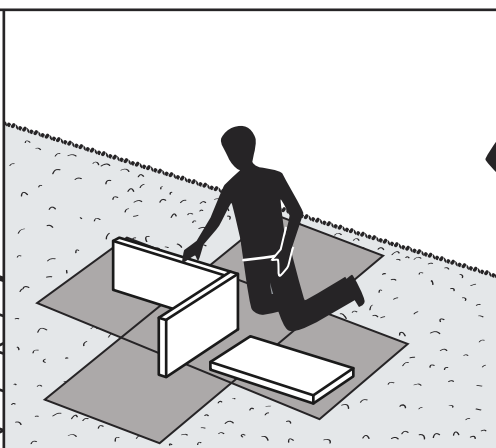
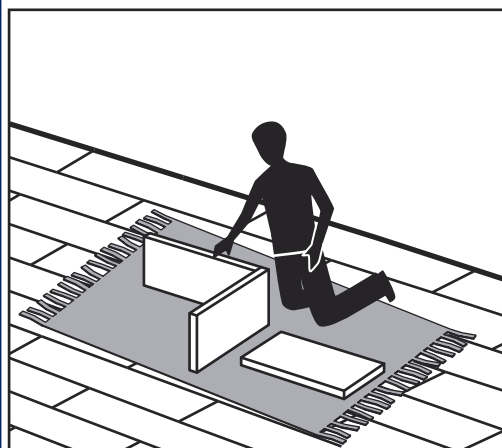
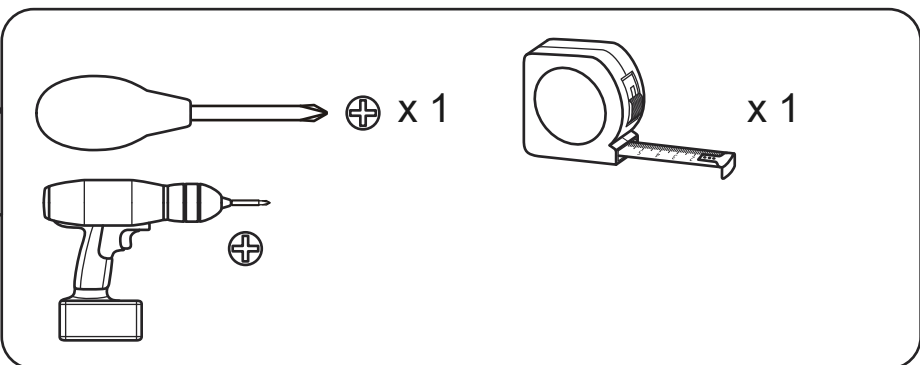
9

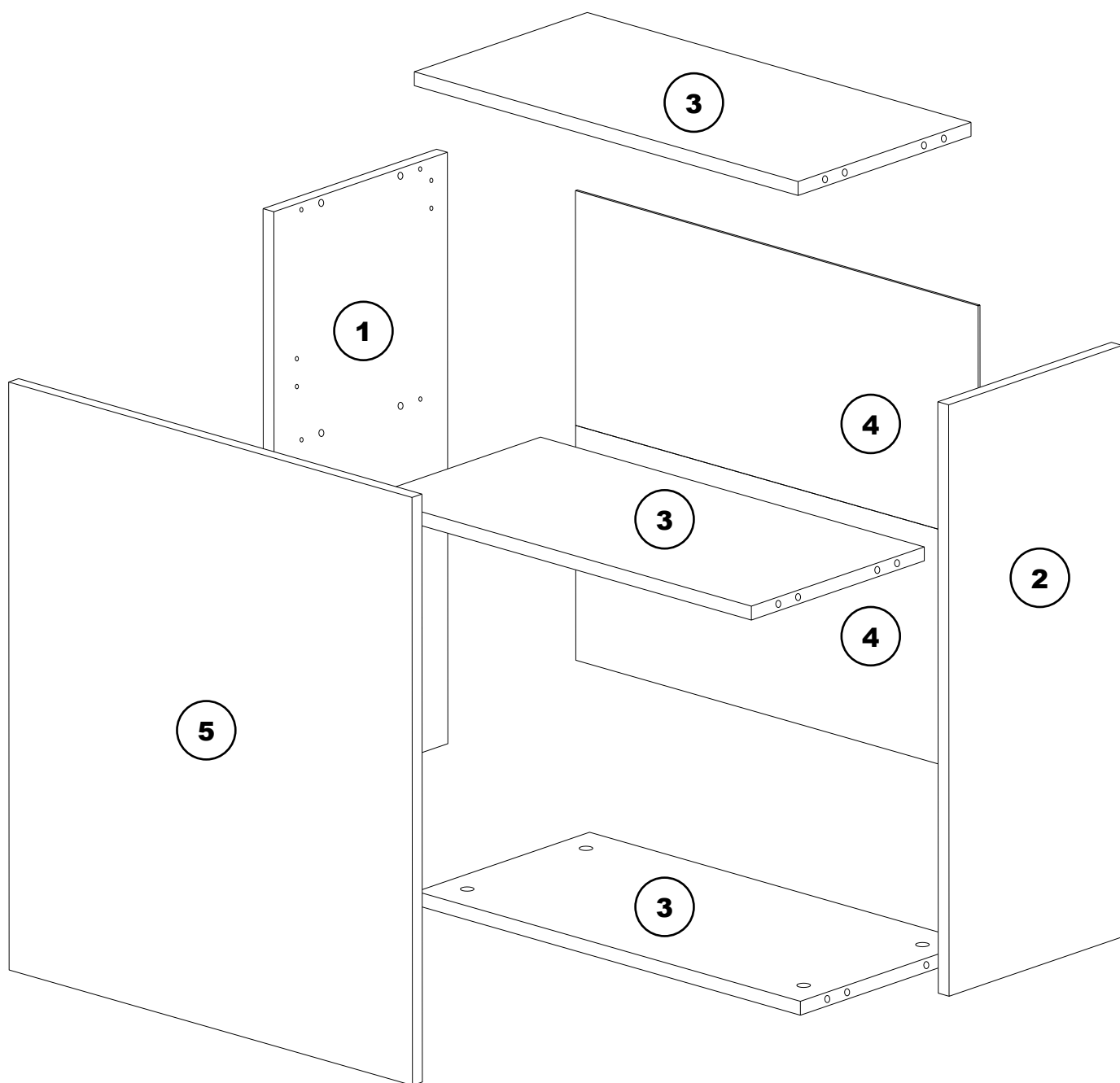




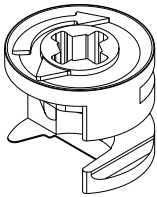
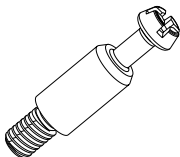
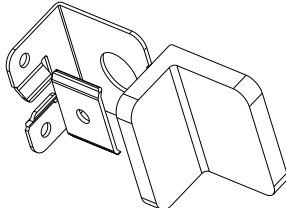
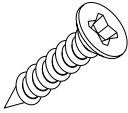
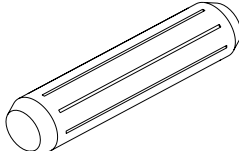
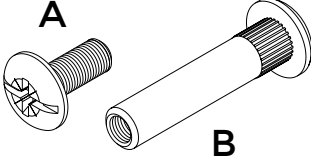
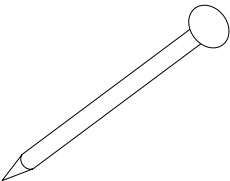
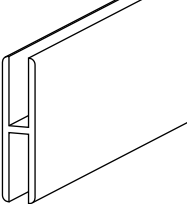
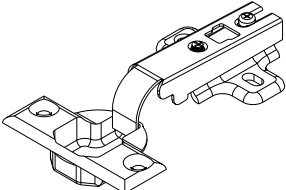
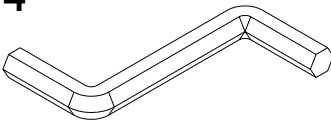
MATERIALE

Fronturi Pal
Carcasa Pal 16 mm
Spate HDF
Cant ABS 0.5 si 1 mm
Elemente de imbinare metalice si din lemn
Manere plastic

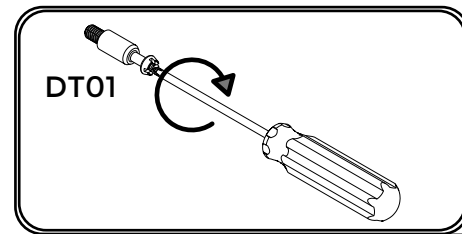
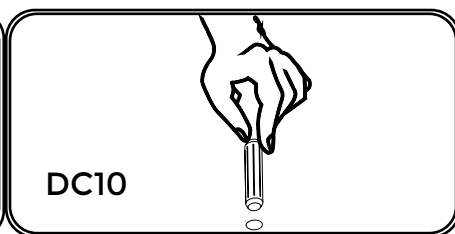
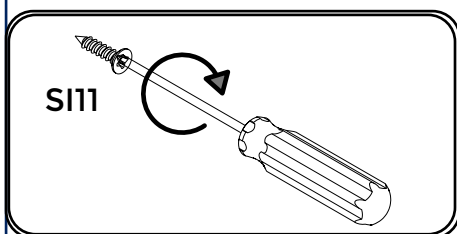
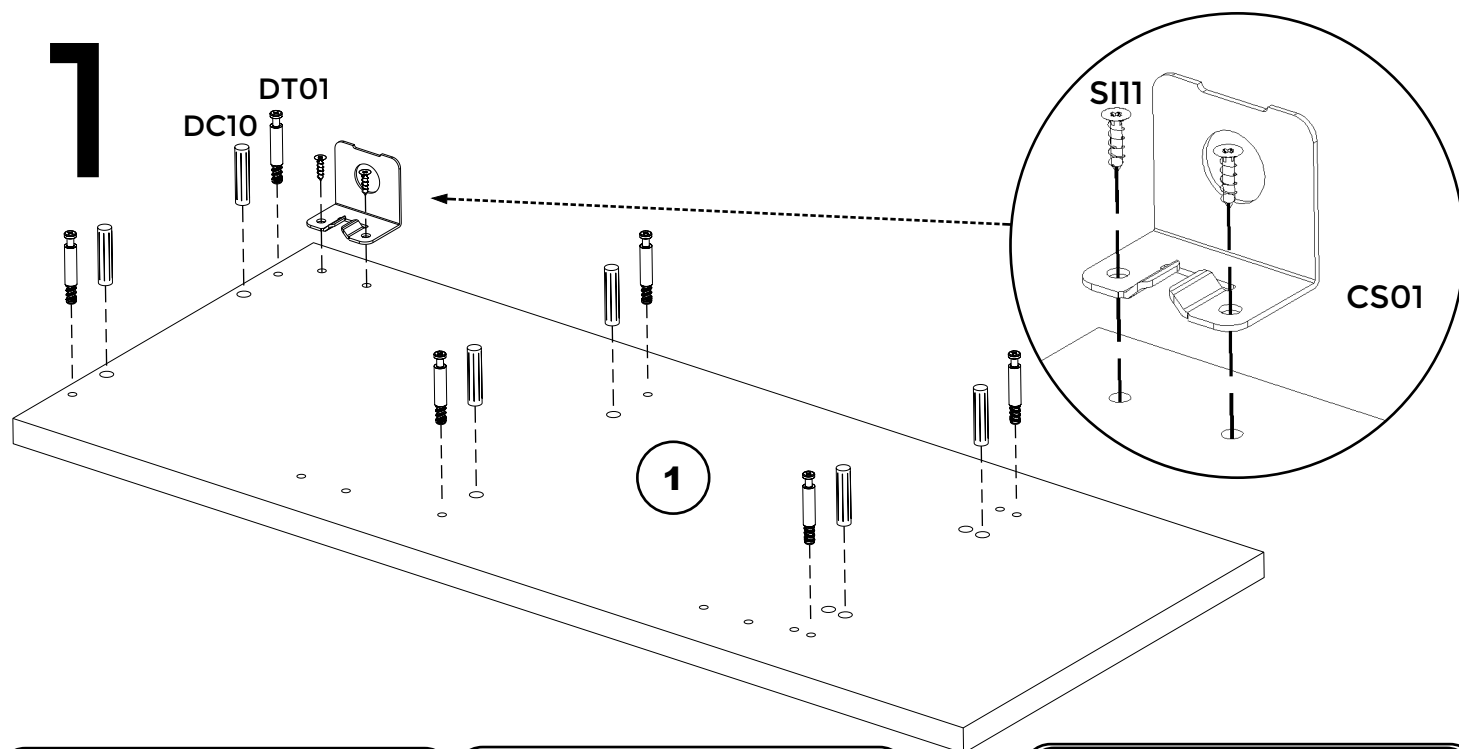




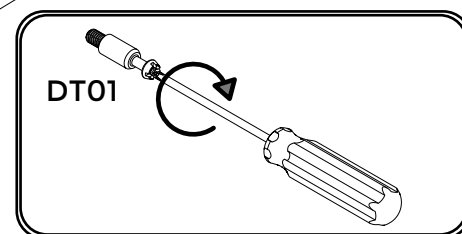
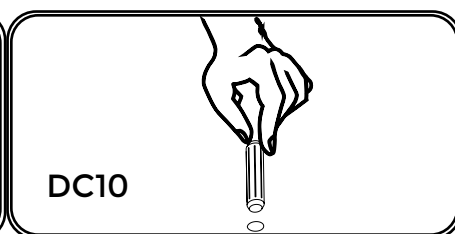
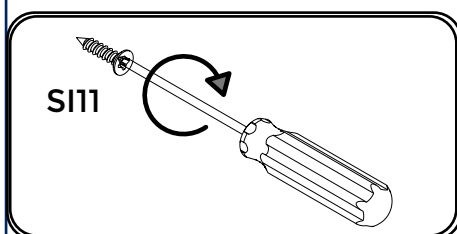
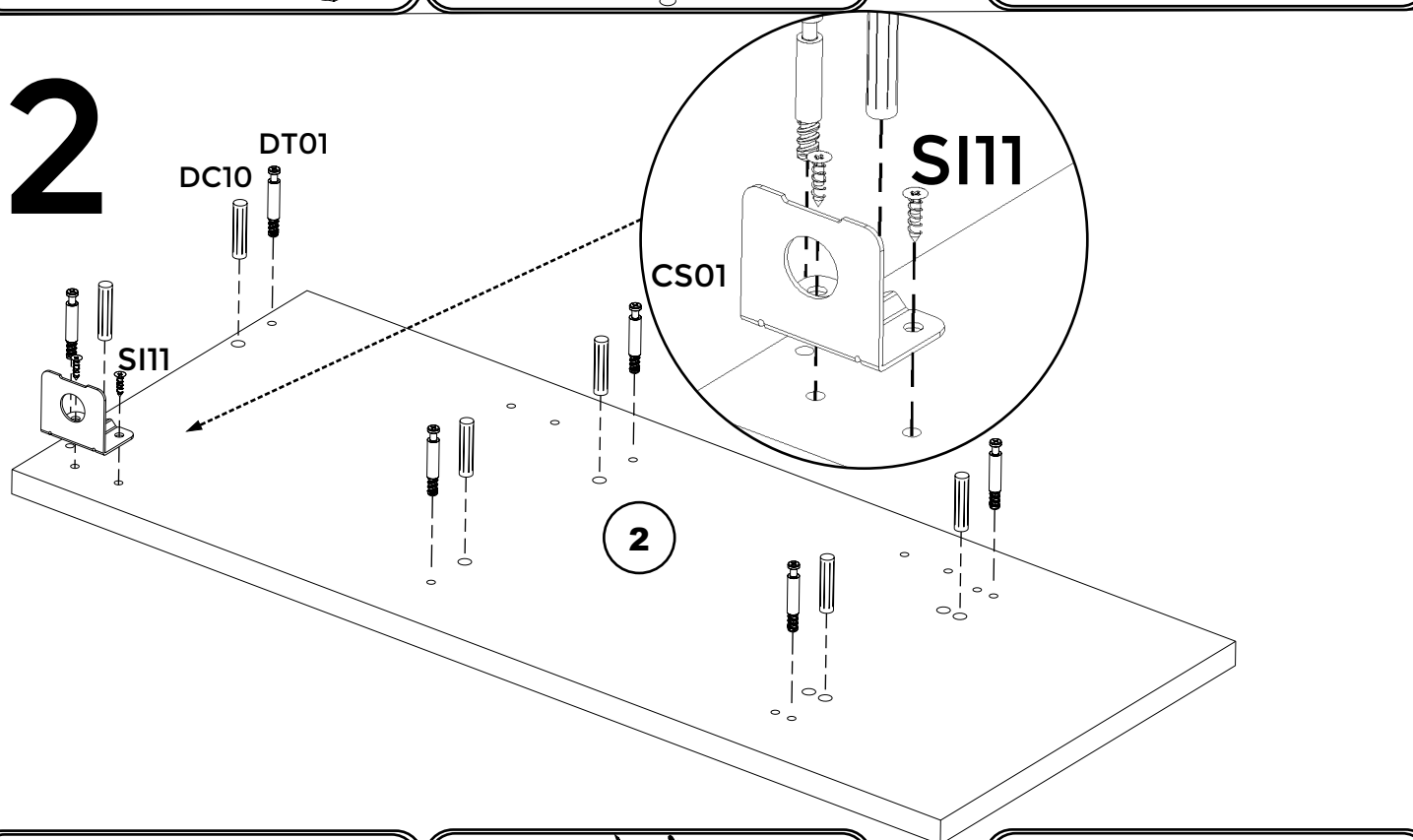
Nr	COD	BuC
1	1201	1
2	1202	1
3	1203	3
4	1204	2
5	2053	1

<p>DC01</p>  <p>x12</p>	<p>DT01</p>  <p>x12</p>	<p>CS01</p>  <p>x2</p>
<p>SI11</p>  <p>x12</p>	<p>DC10</p>  <p>x12</p>	<p>SC01</p>  <p>x2</p>
<p>CT01</p>  <p>≈ 25</p>	<p>PH01</p>  <p>x1</p>	<p>BL01</p>  <p>x2</p>
<p>HH04</p>  <p>x1</p>		

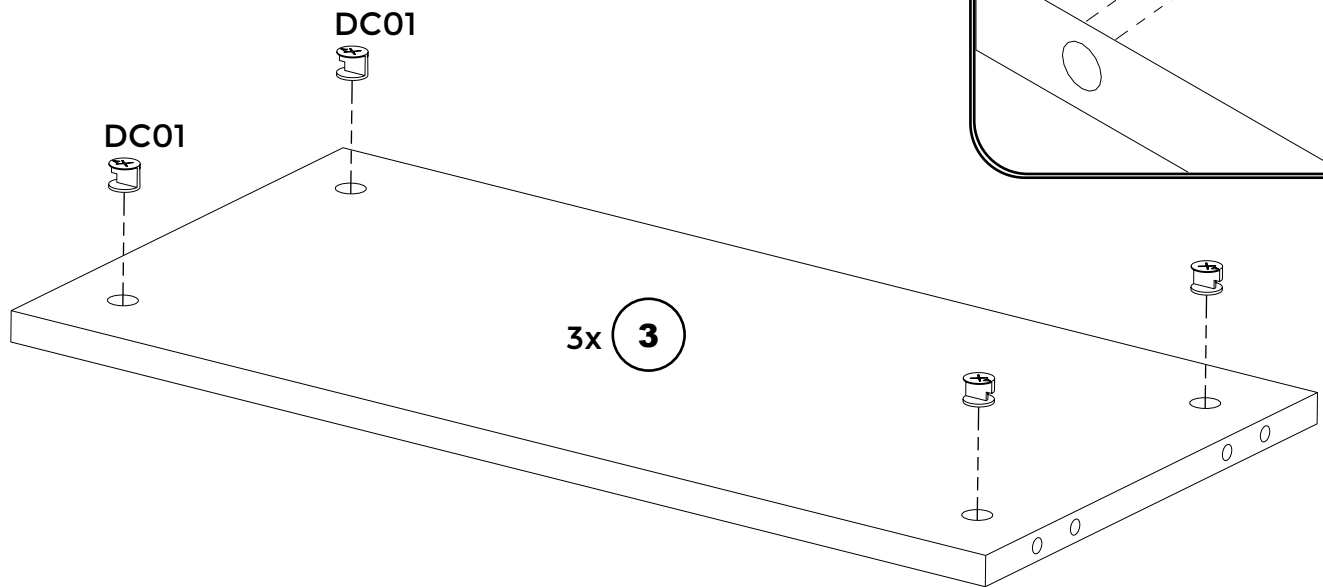
1



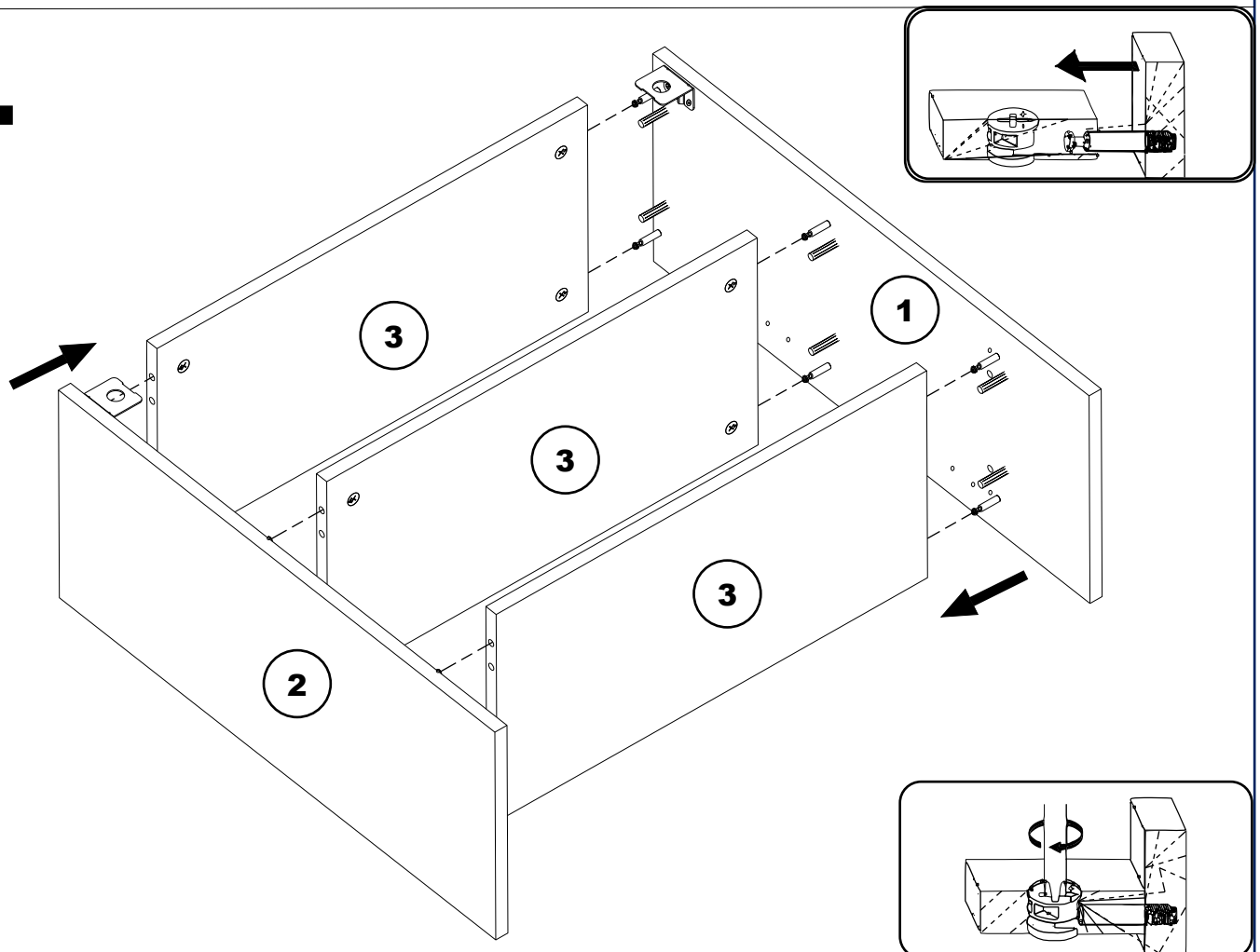
2



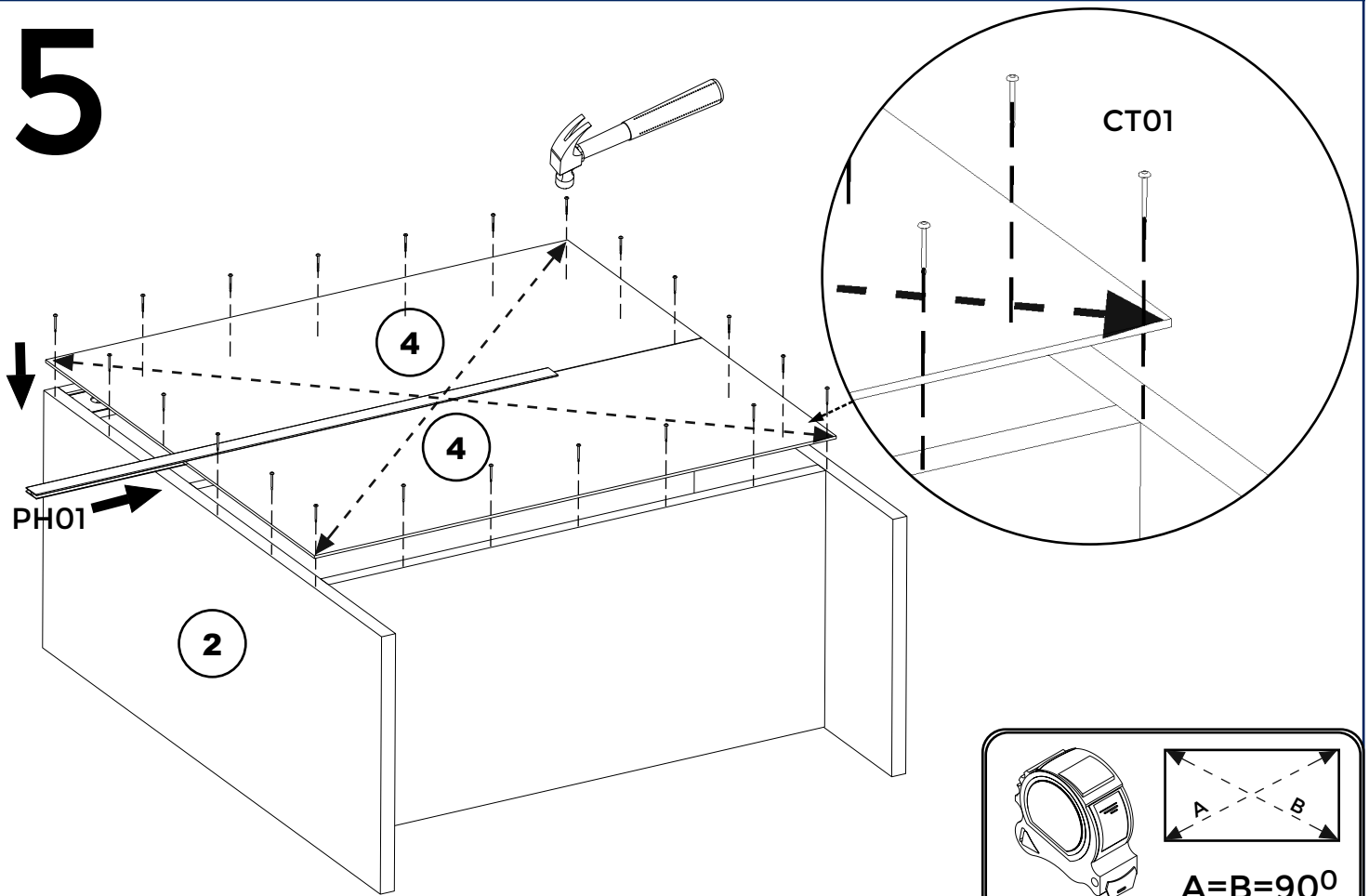
3



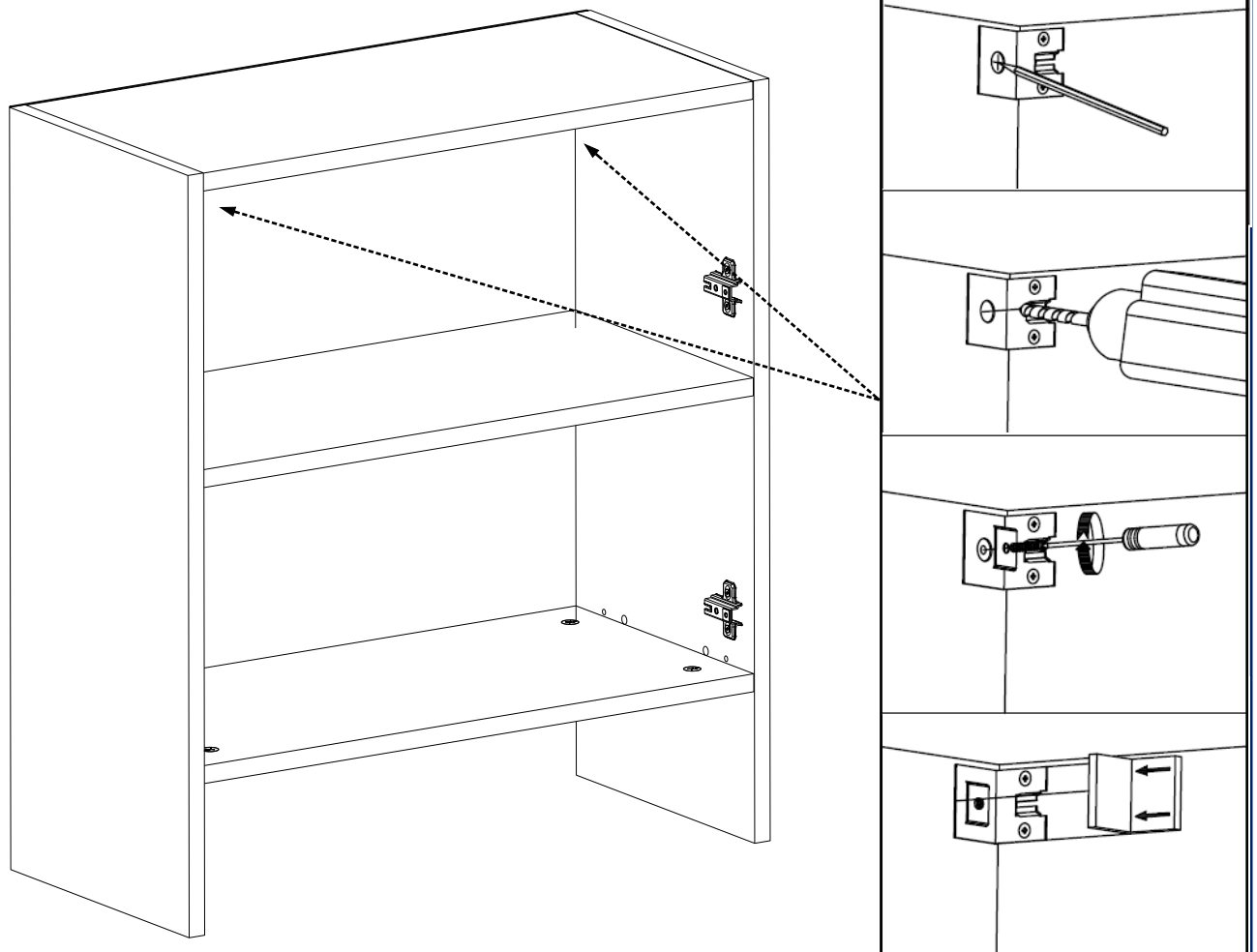
4



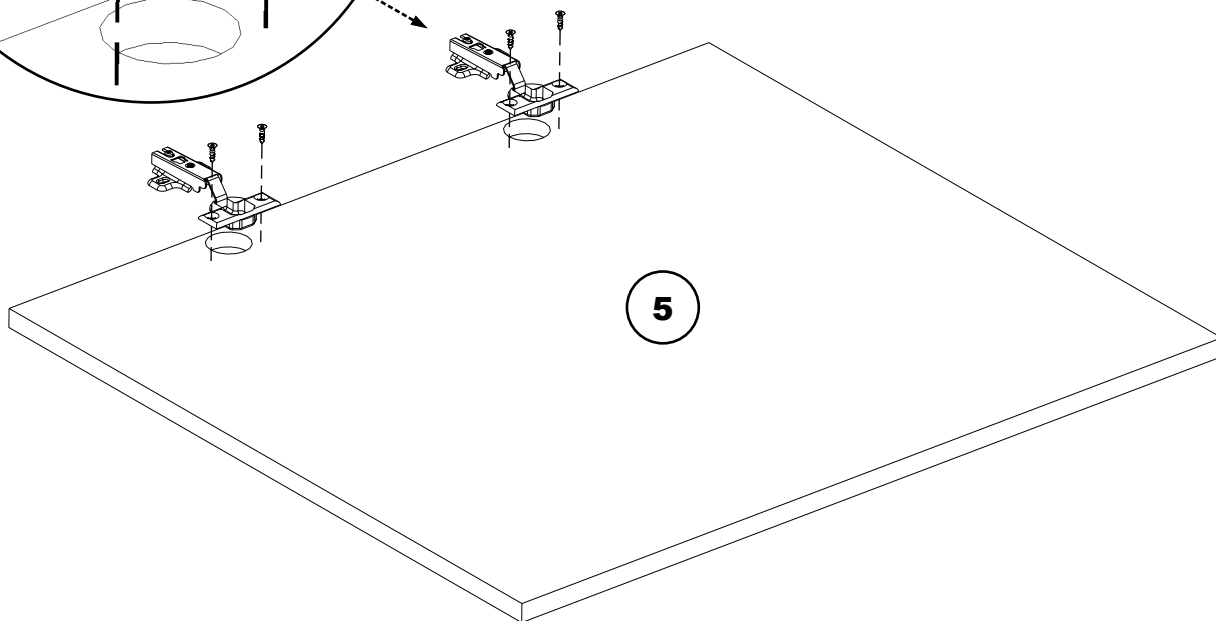
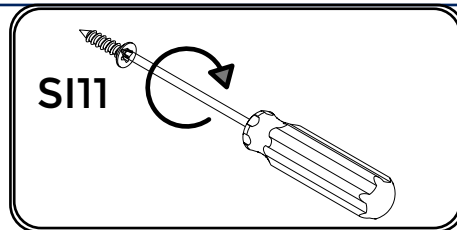
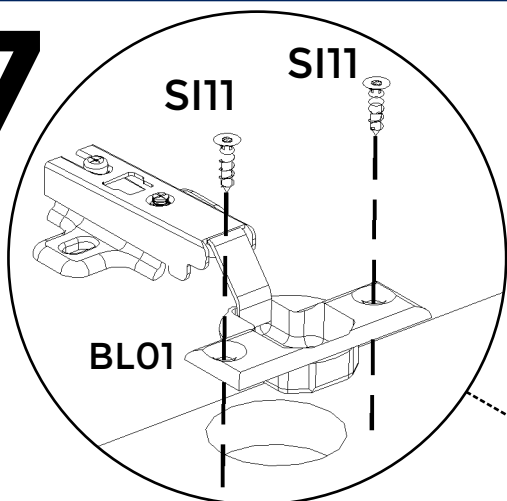
5



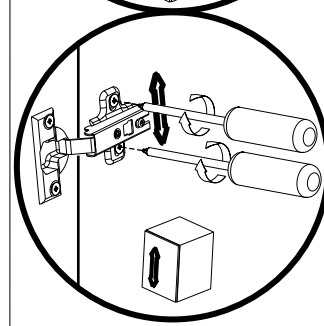
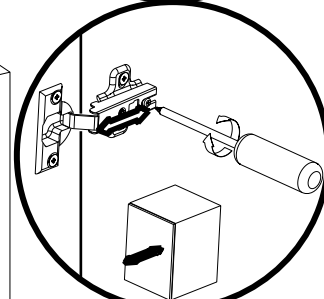
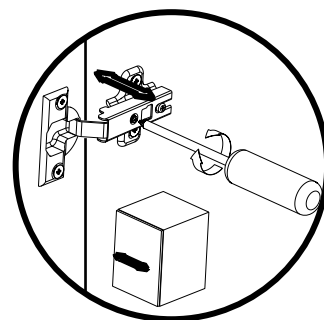
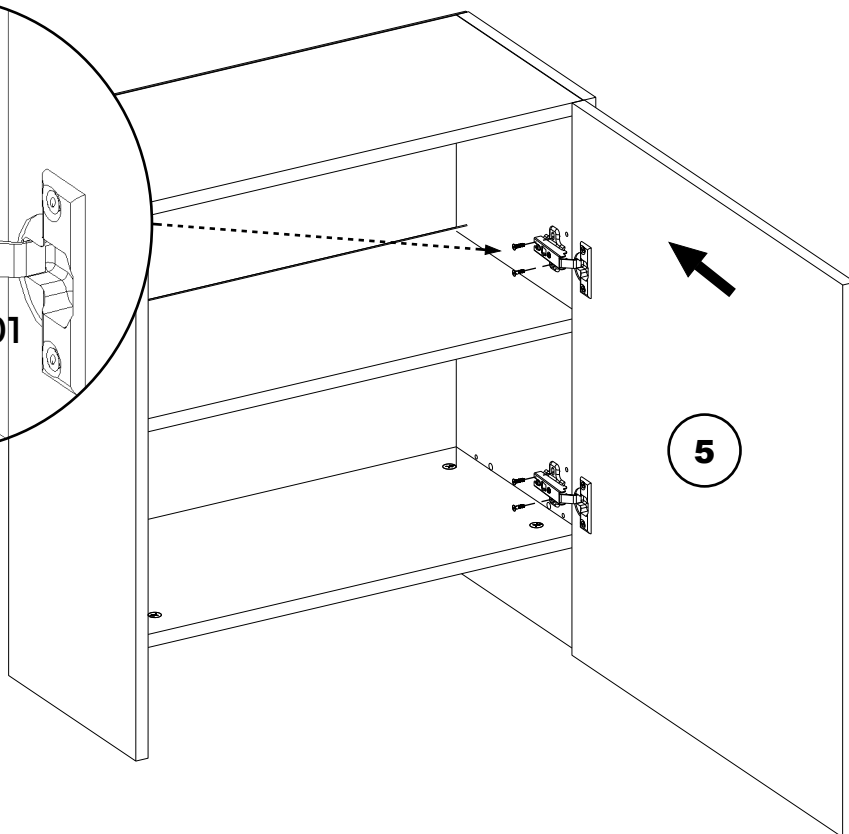
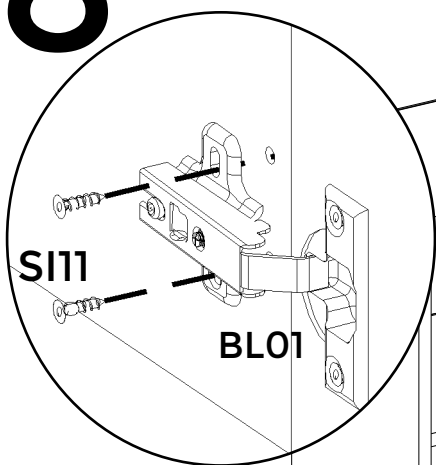
6



7

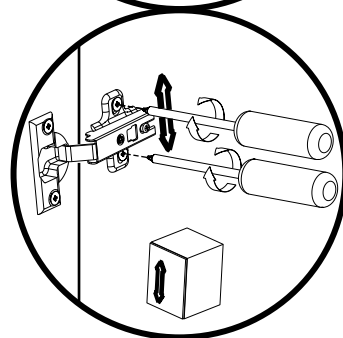
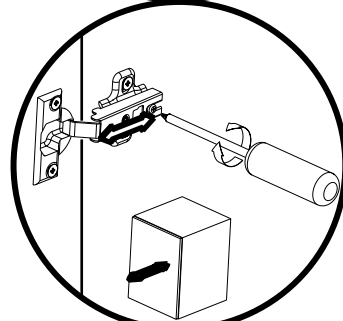
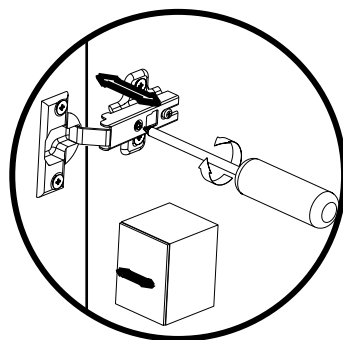
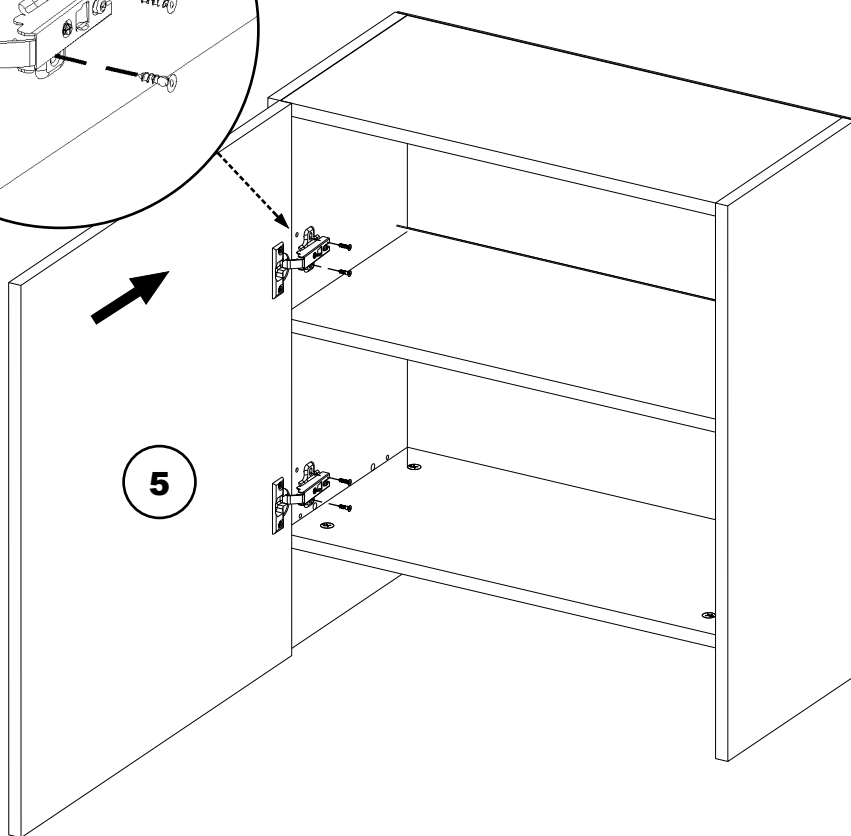
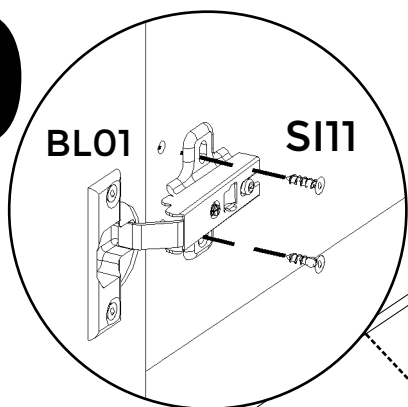


8



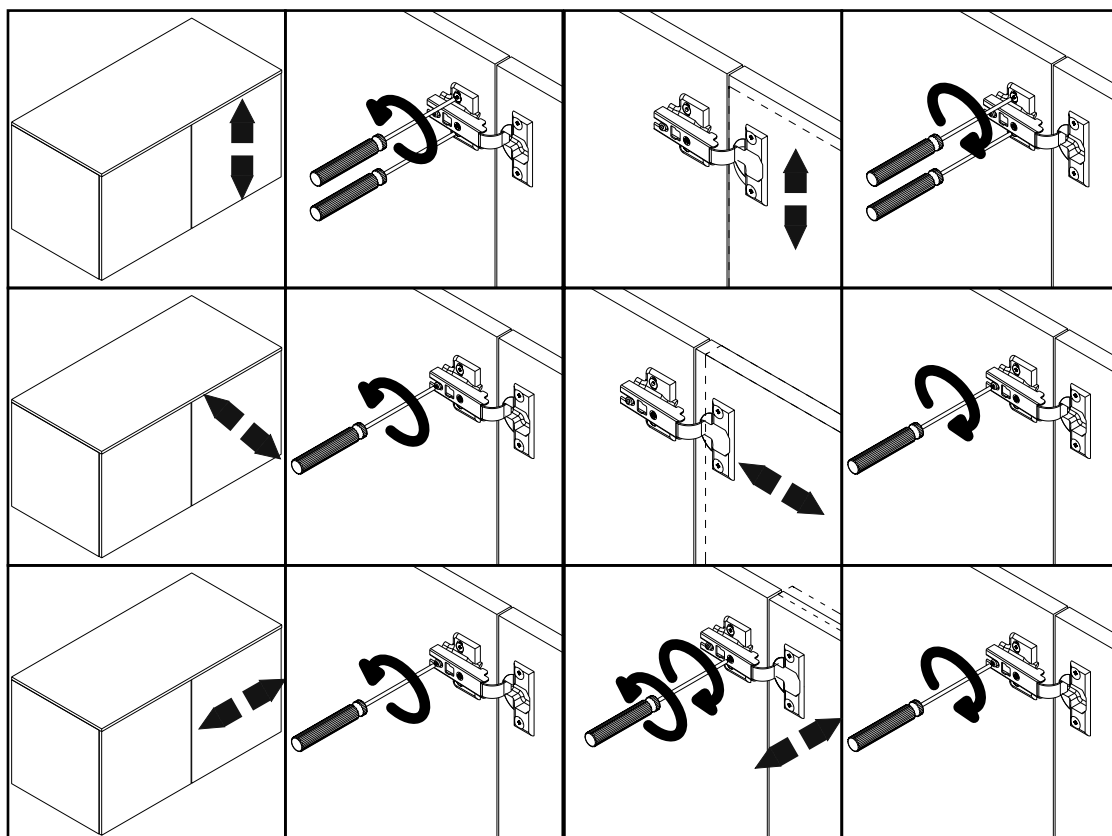
A

9



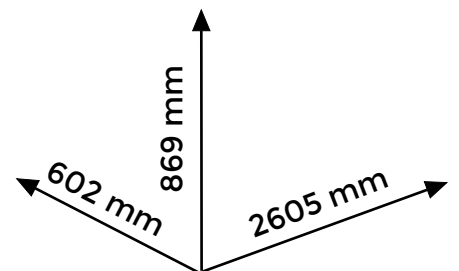
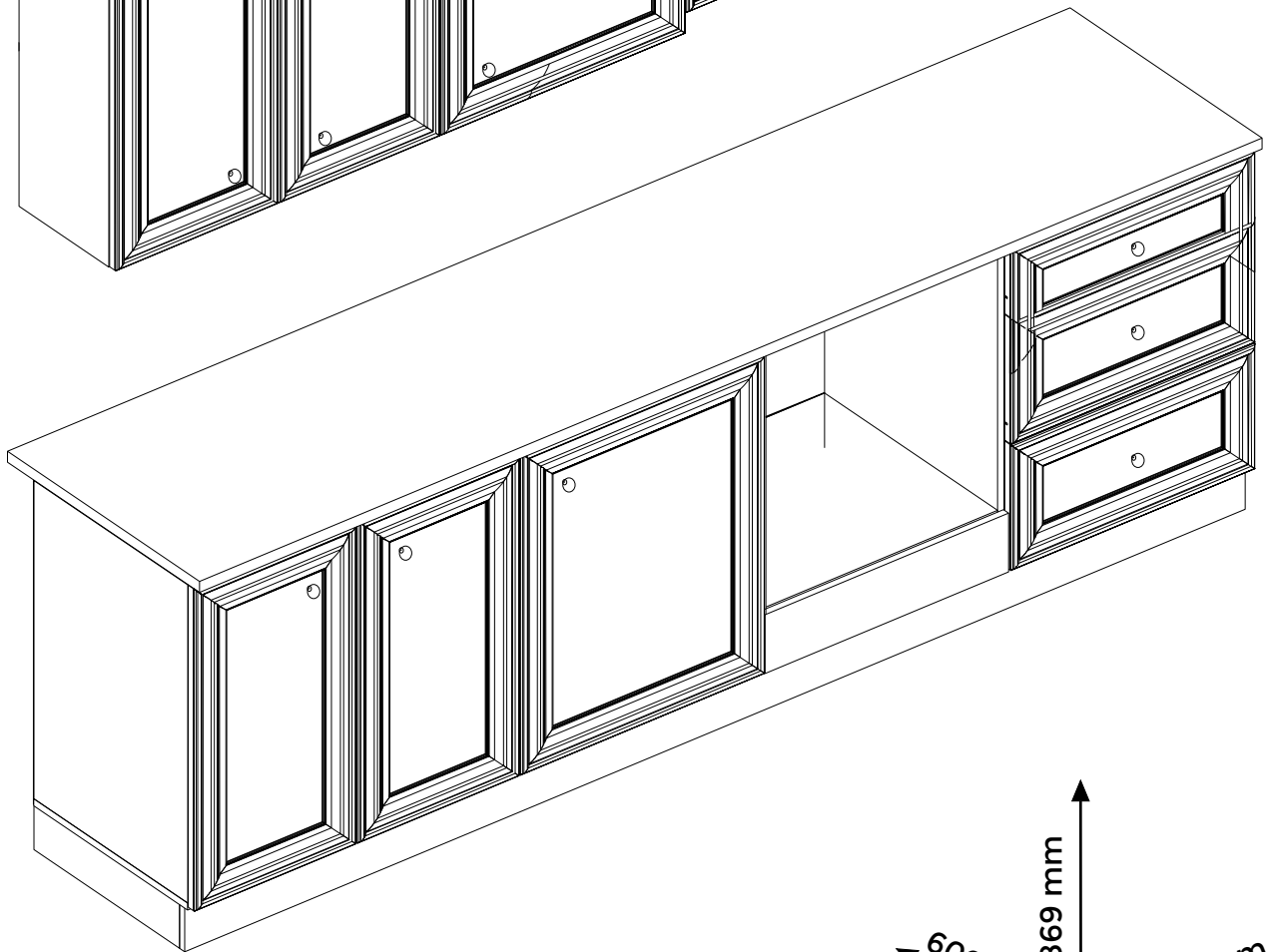
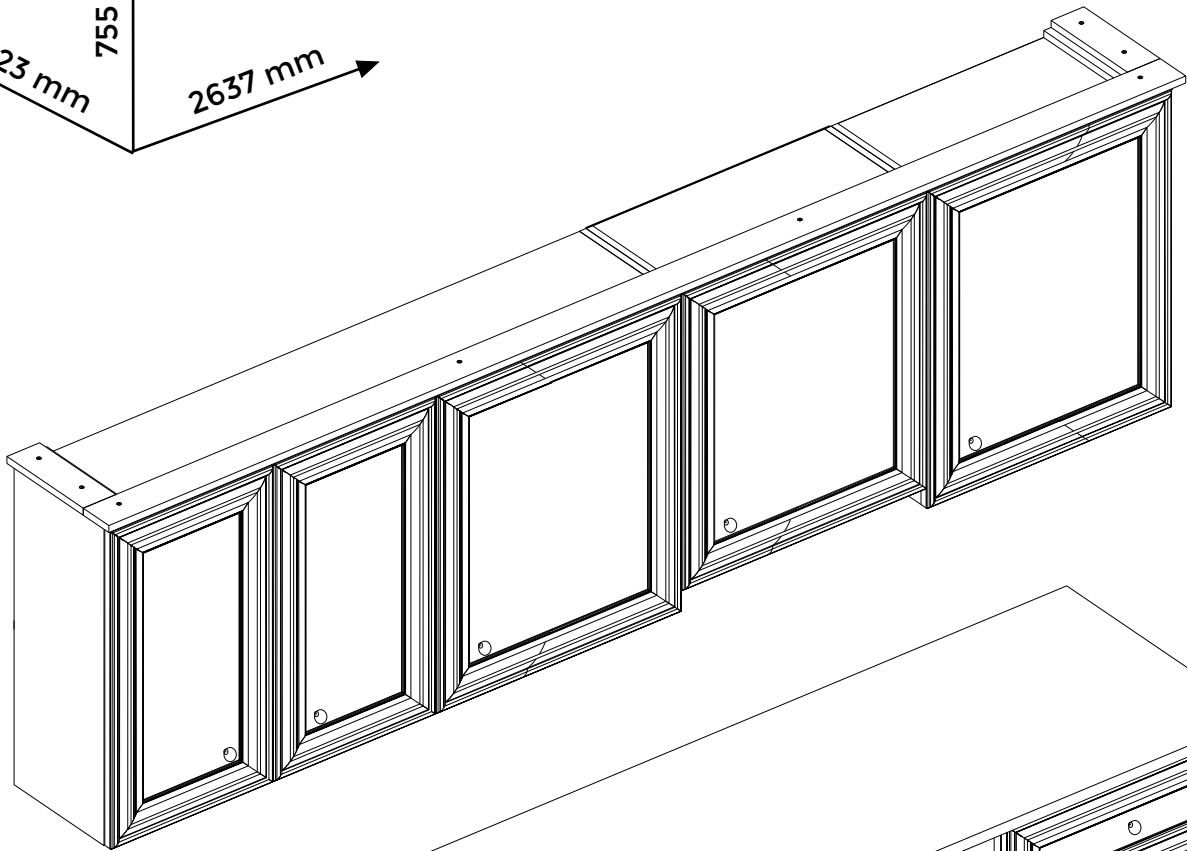
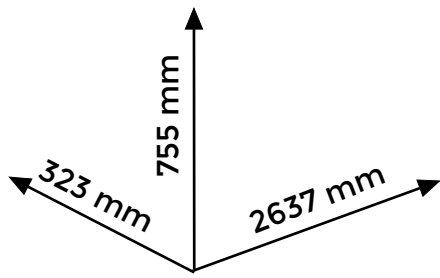
B

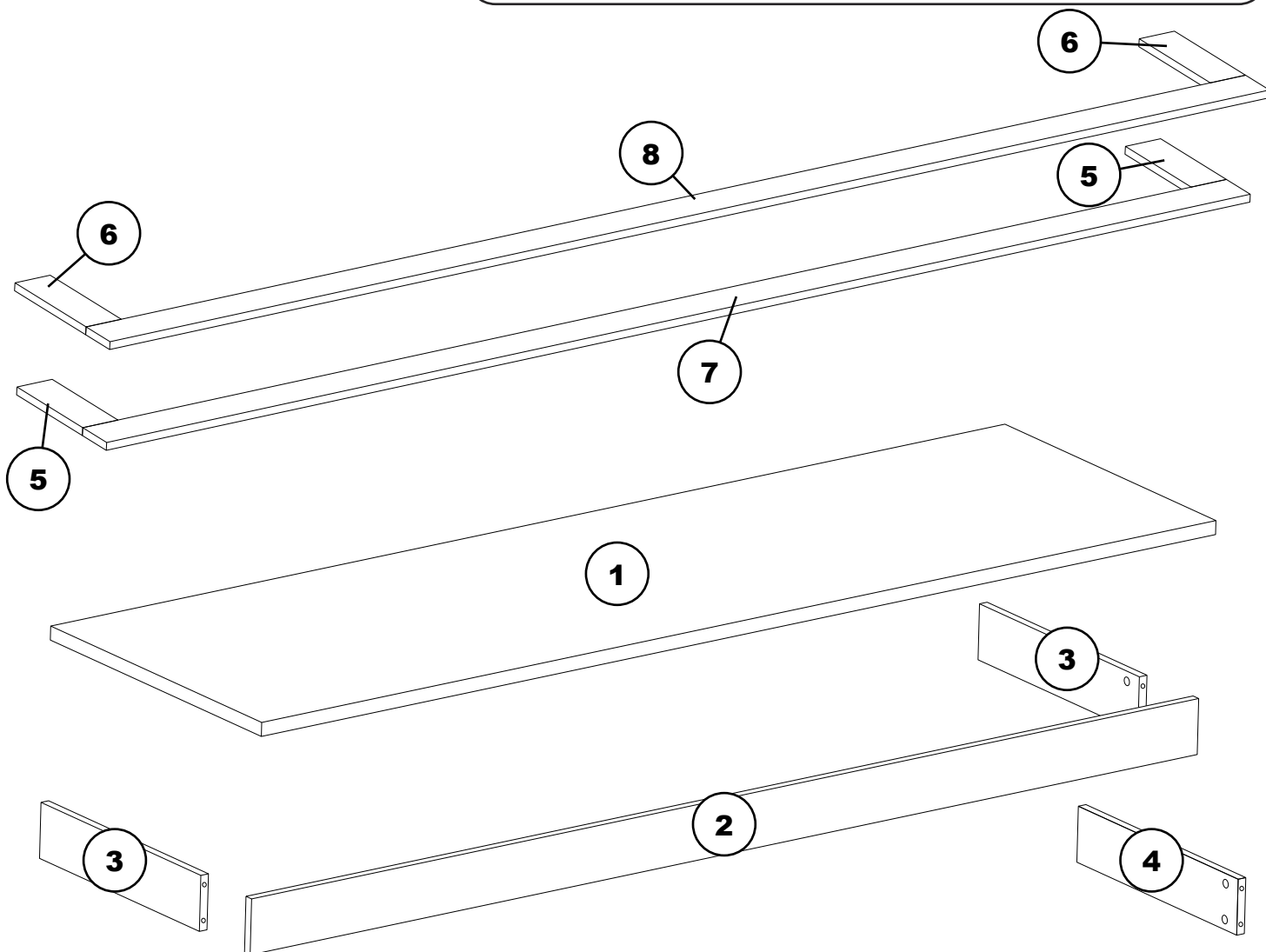
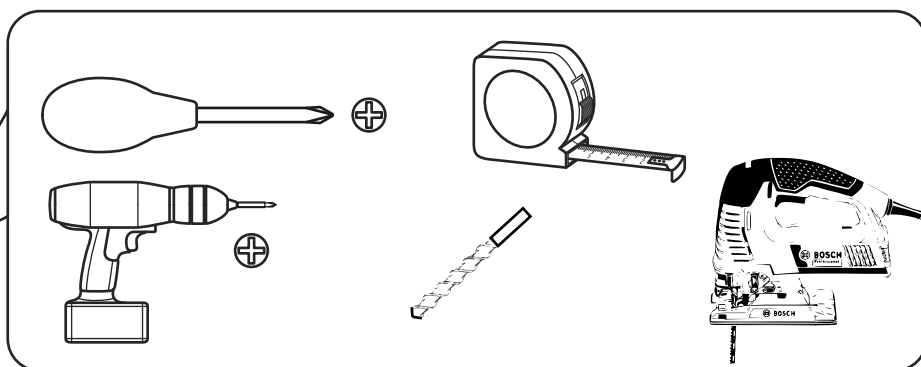
10




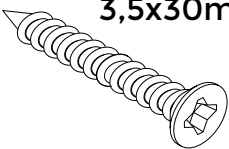
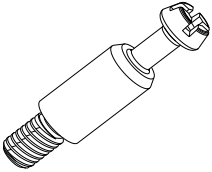
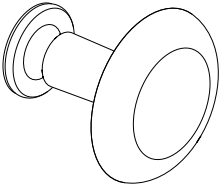
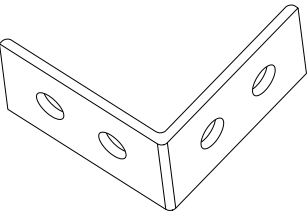
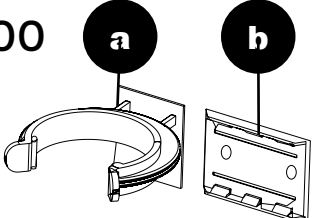
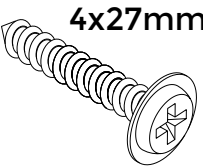
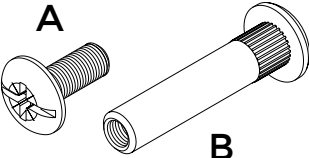
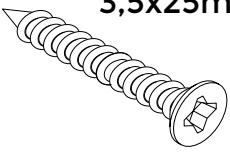
Bucataria KAYA

ASAMBLARE





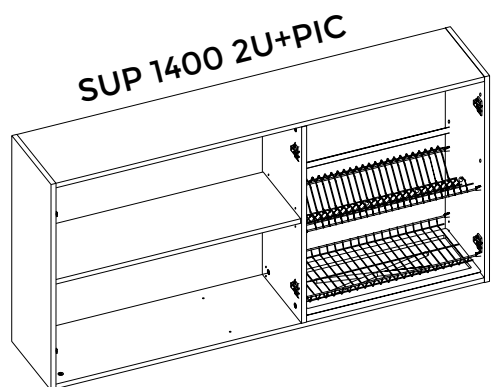
Nr	Cod	Buc
1	2101	1
2	1801	1
3	1802	2
4	1803	1
5	2001	2
6	2002	2
7	2003	1
8	2004	1

<p>DC03</p>  <p>x4</p>	<p>SI30</p>  <p>3,5x30mm</p> <p>x 18</p>	<p>DT01</p>  <p>x4</p>
<p>BP 01</p>  <p>X 11</p>	<p>CL30</p>  <p>x 4</p>	<p>CP 100</p>  <p>a b</p> <p>x5</p>
<p>SM27</p>  <p>4x27mm</p> <p>x11</p>	<p>SC01</p>  <p>A B</p> <p>x8</p>	<p>SI25</p>  <p>3,5x25mm</p> <p>x 17</p>

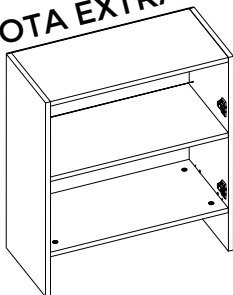
Bucataria KAYA

ASAMBLARE

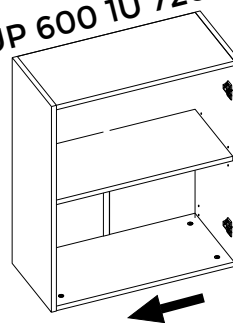
1



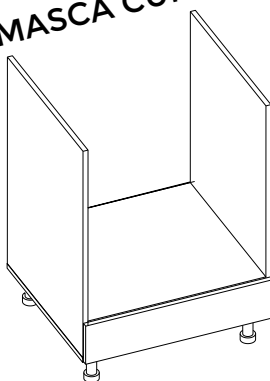
SUP HOTA EXTRACTIE



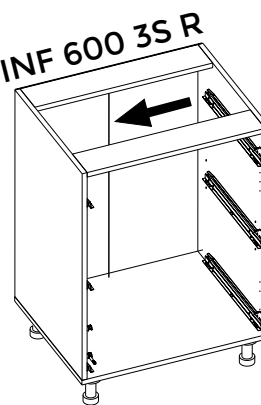
SUP 600 1U 720



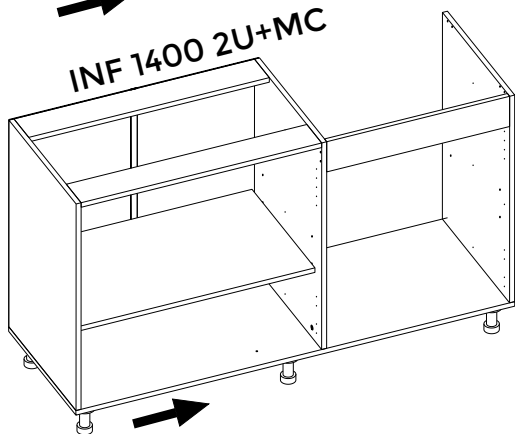
INF MASCA CUPTOR



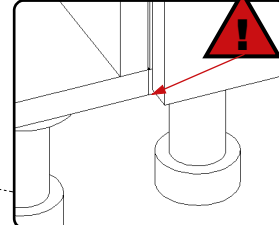
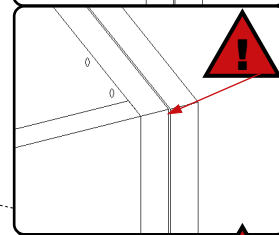
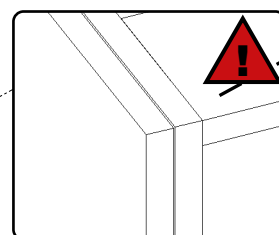
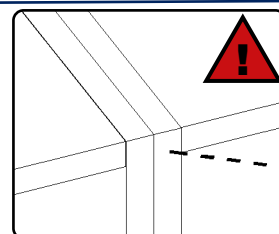
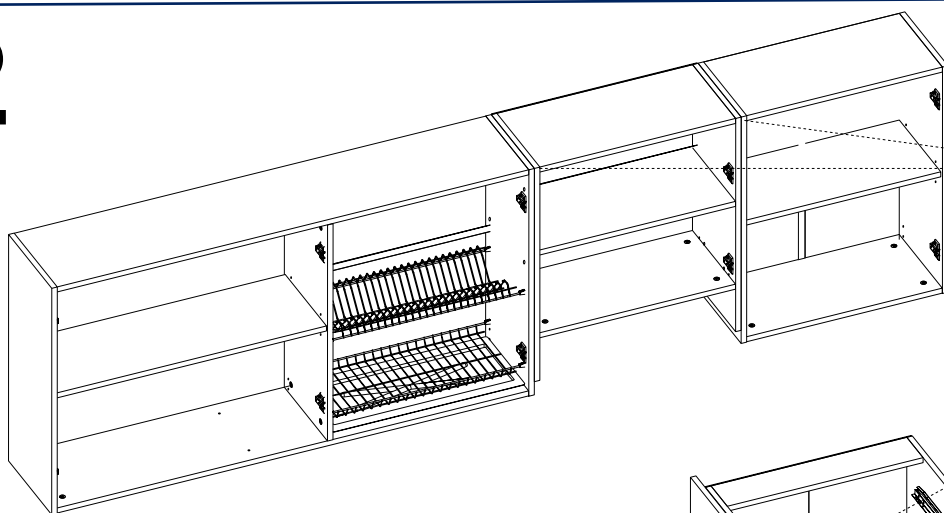
INF 600 3S R



INF 1400 2U+MC



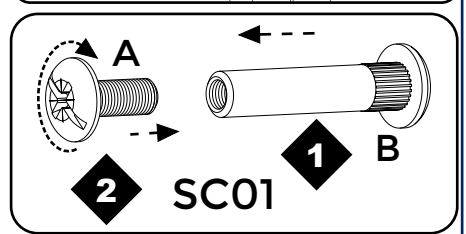
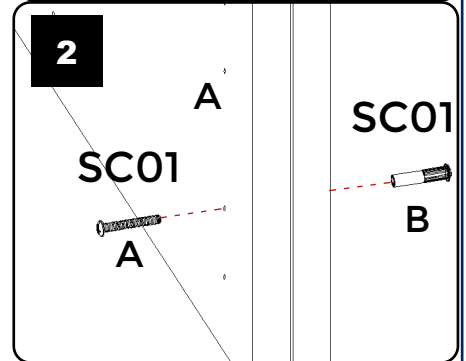
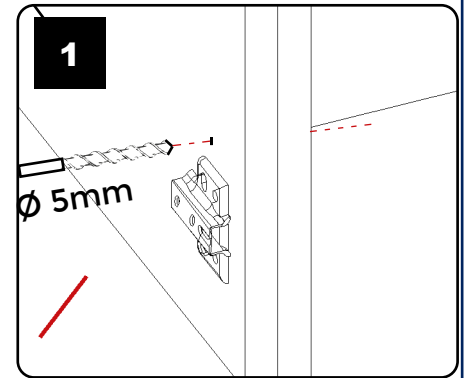
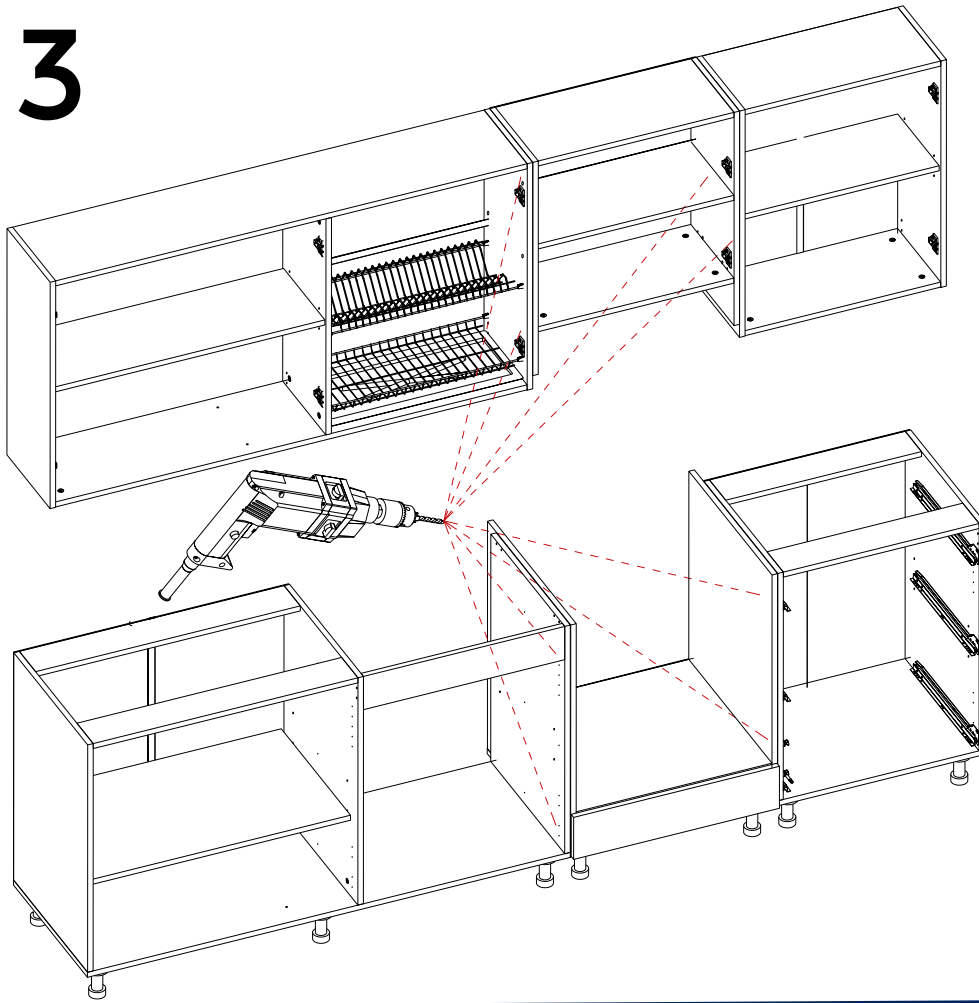
2



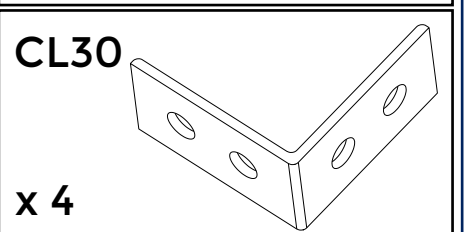
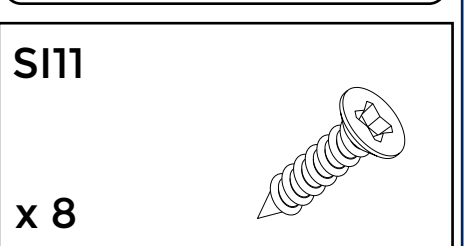
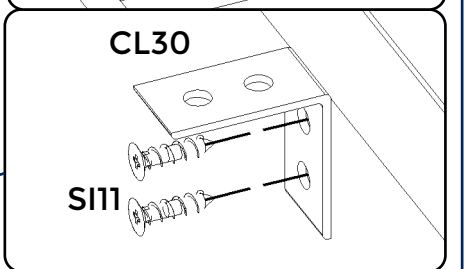
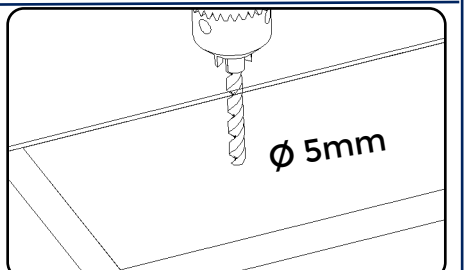
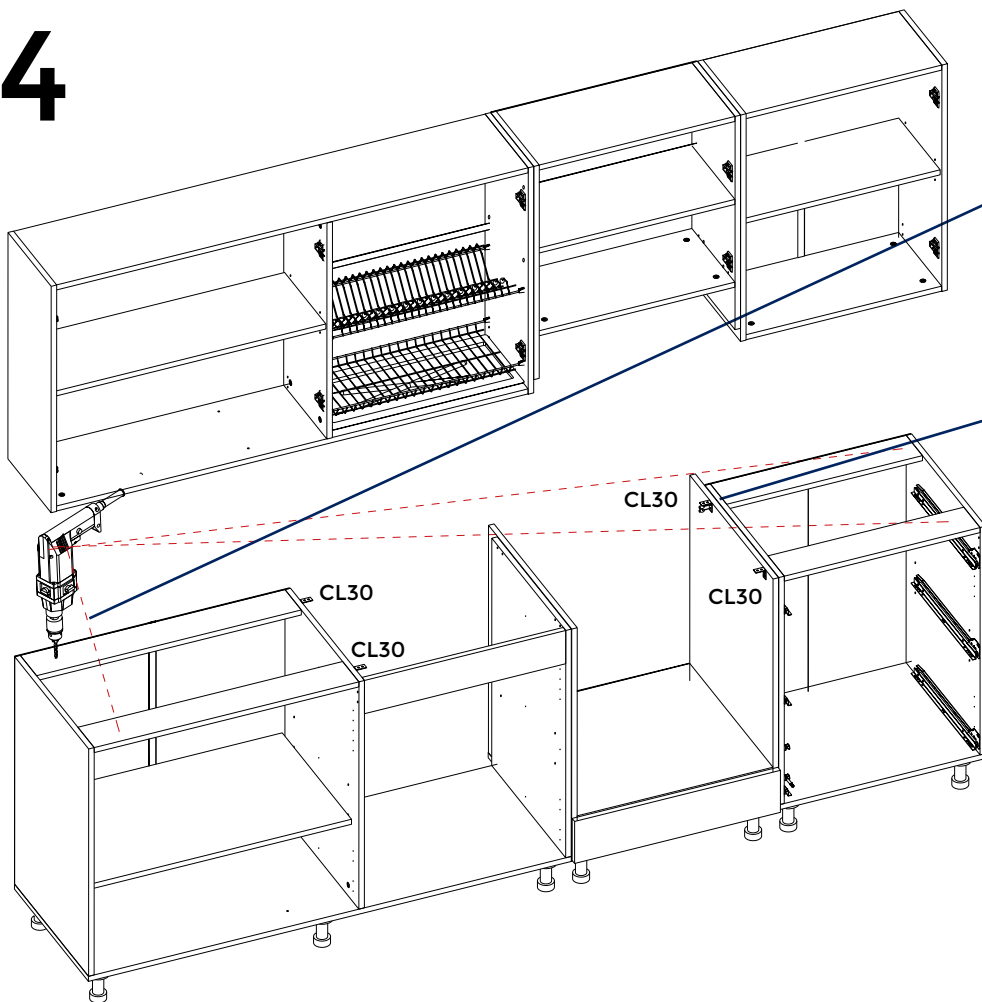
Bucataria KAYA

ASAMBLARE

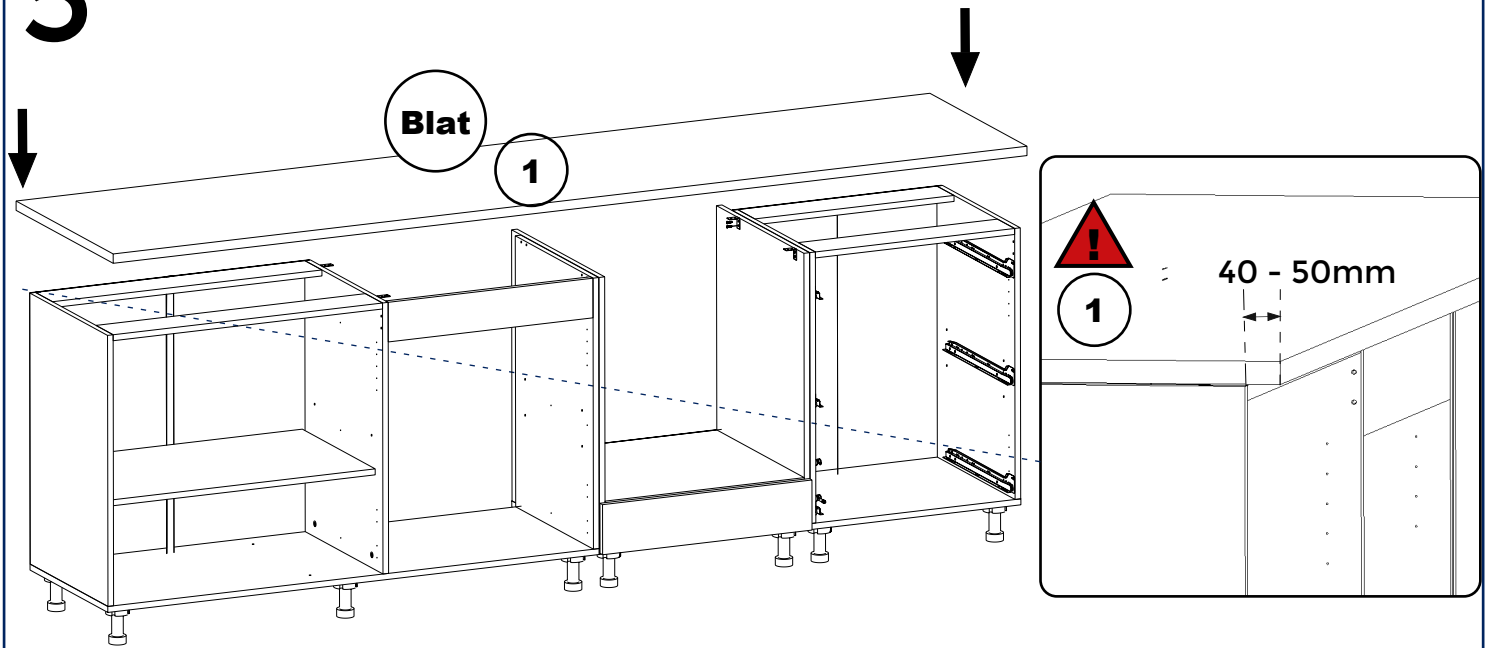
3



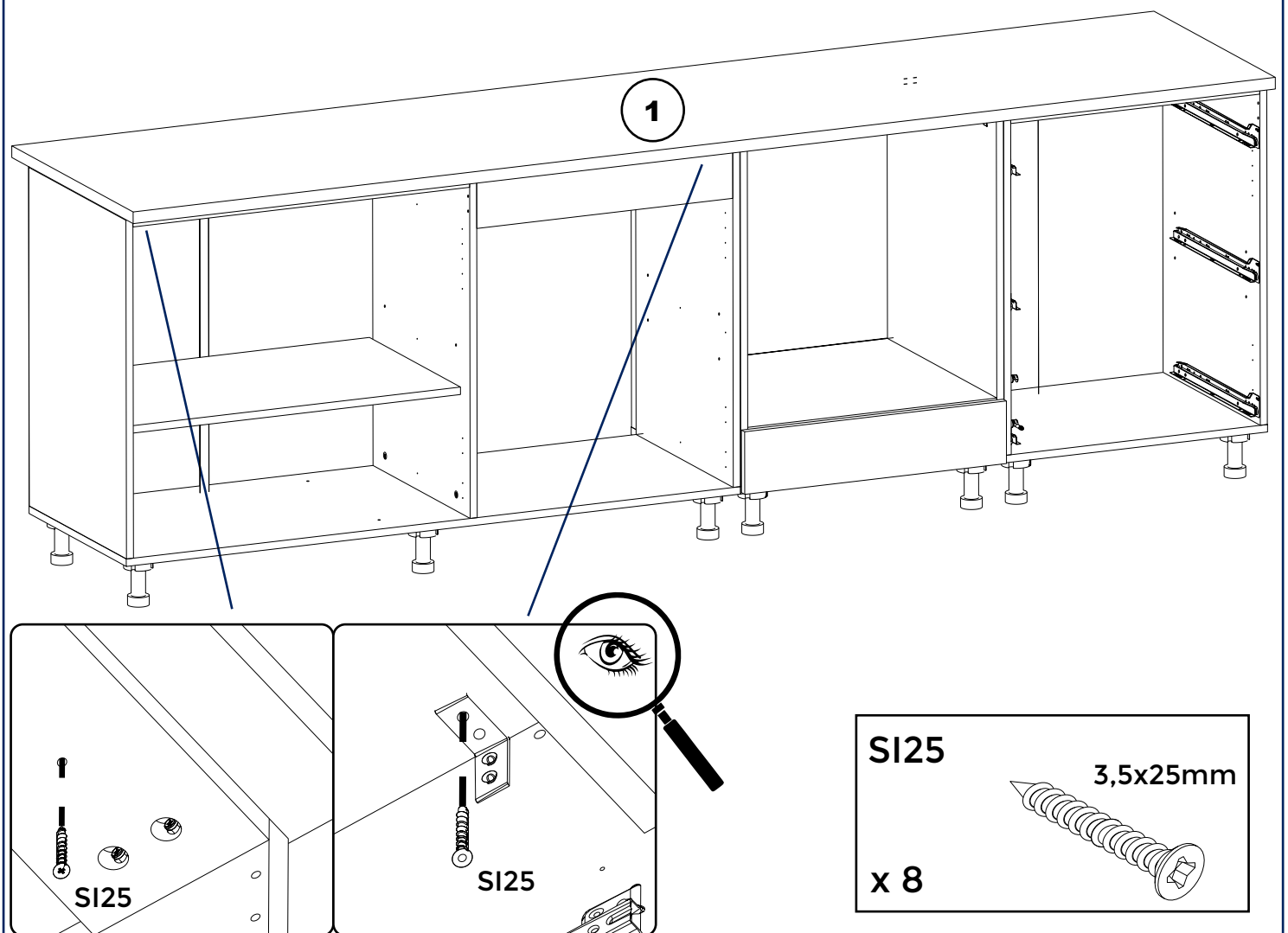
4



5



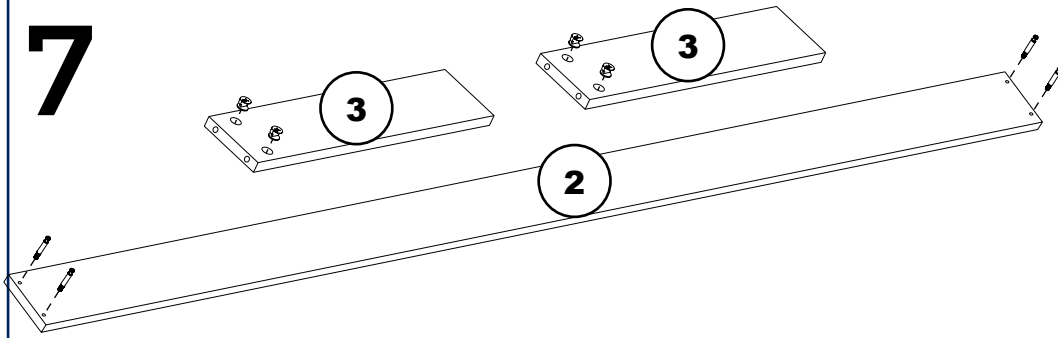
6



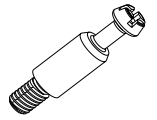
Bucataria KAYA

ASAMBLARE

7

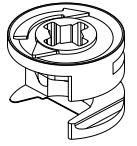


DT01



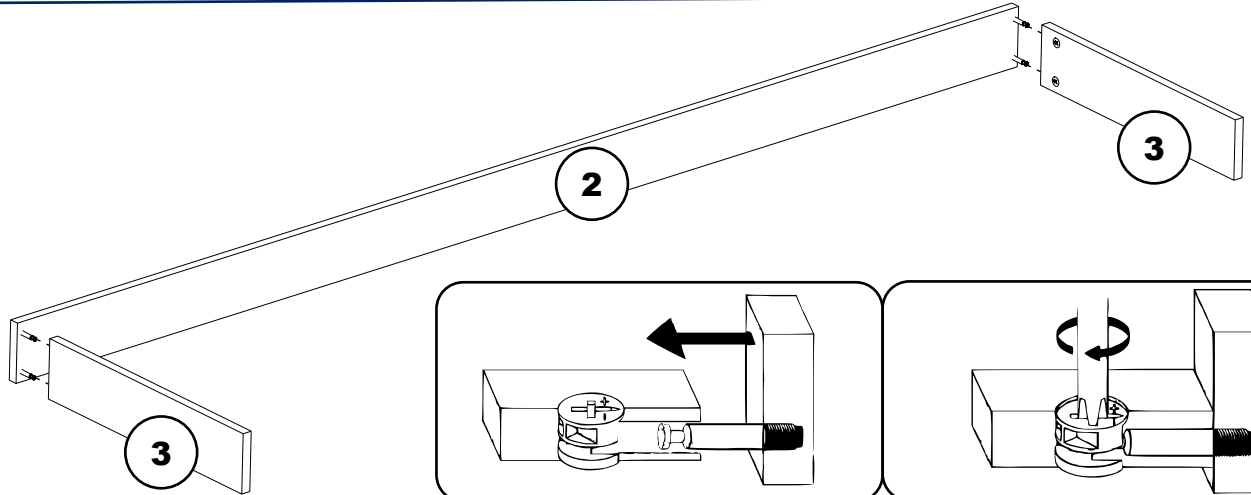
X4

DC01

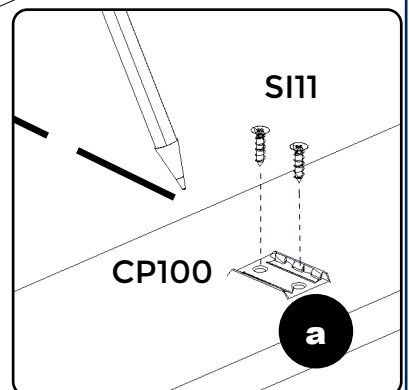
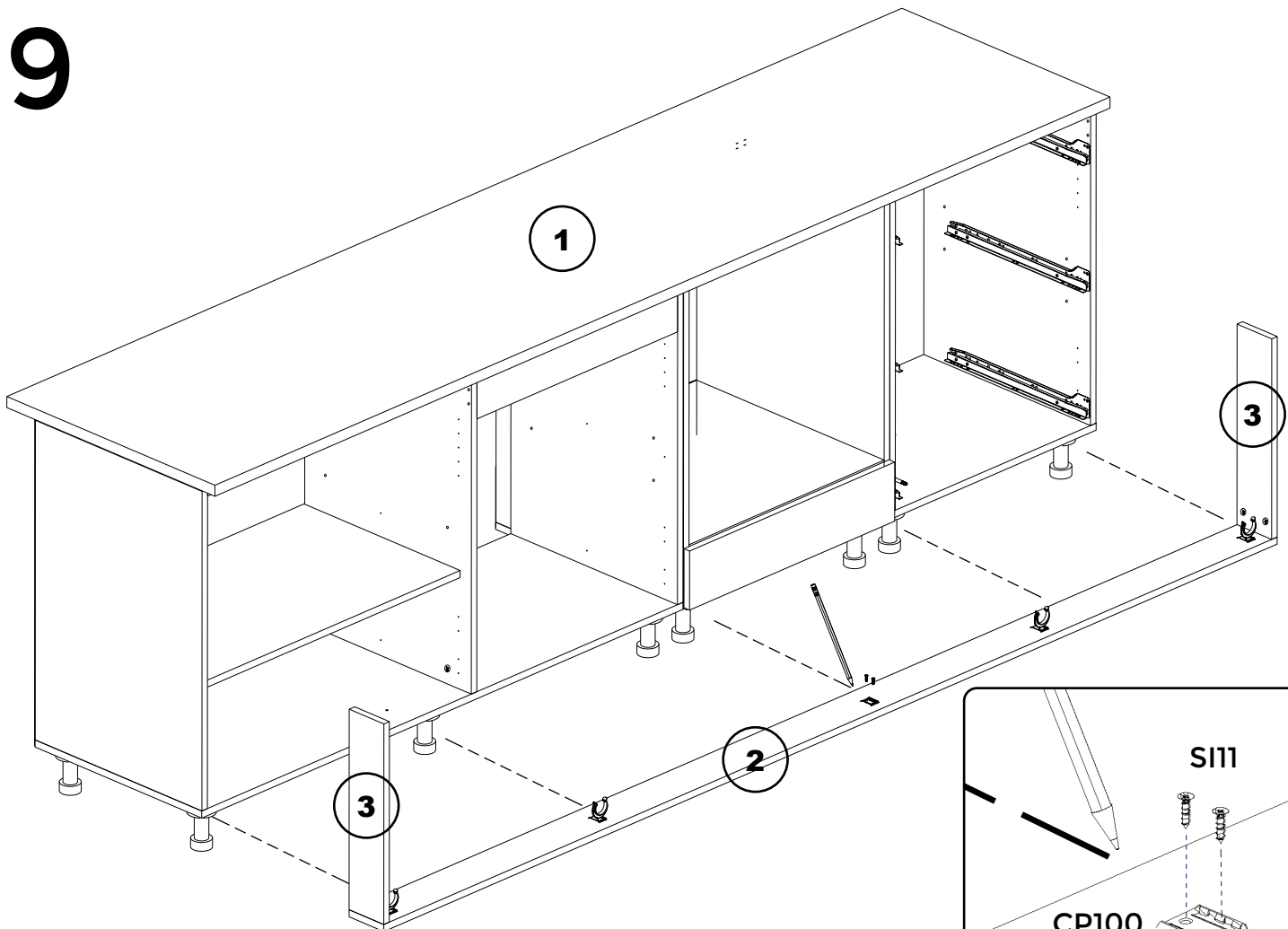


X4

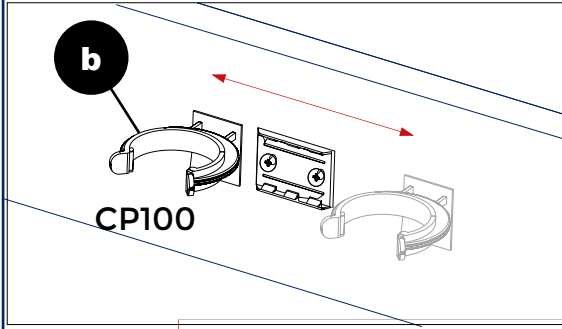
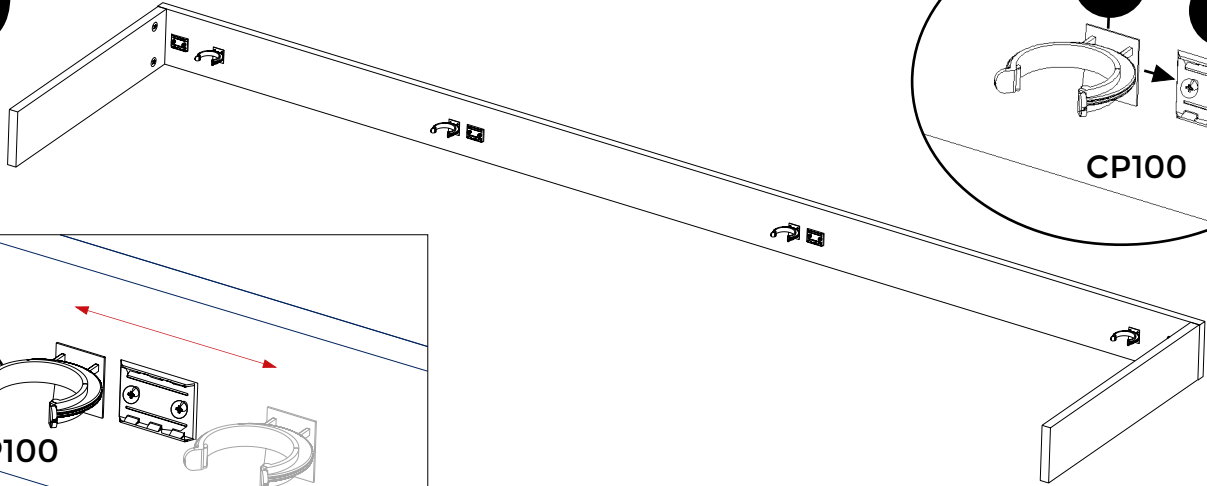
8



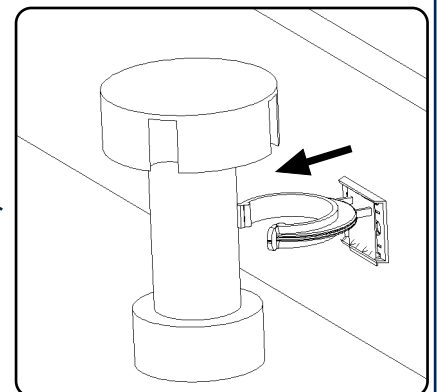
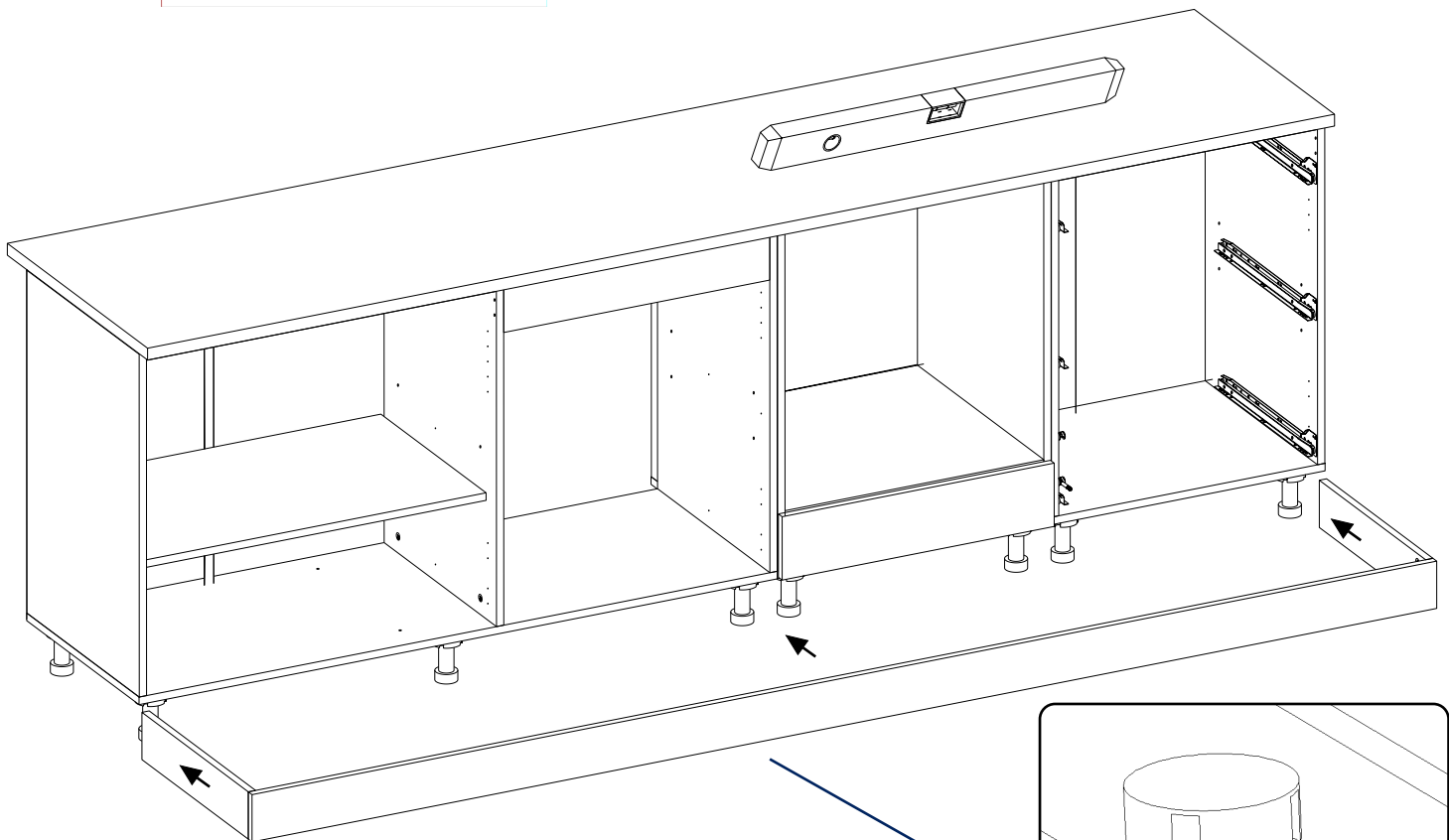
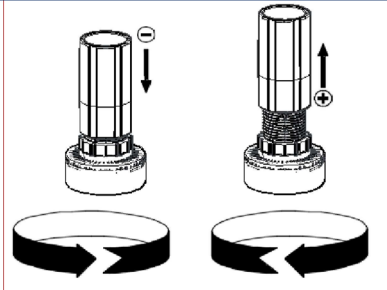
9



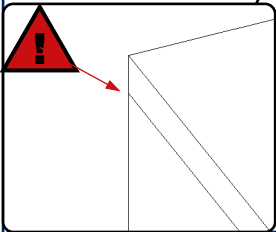
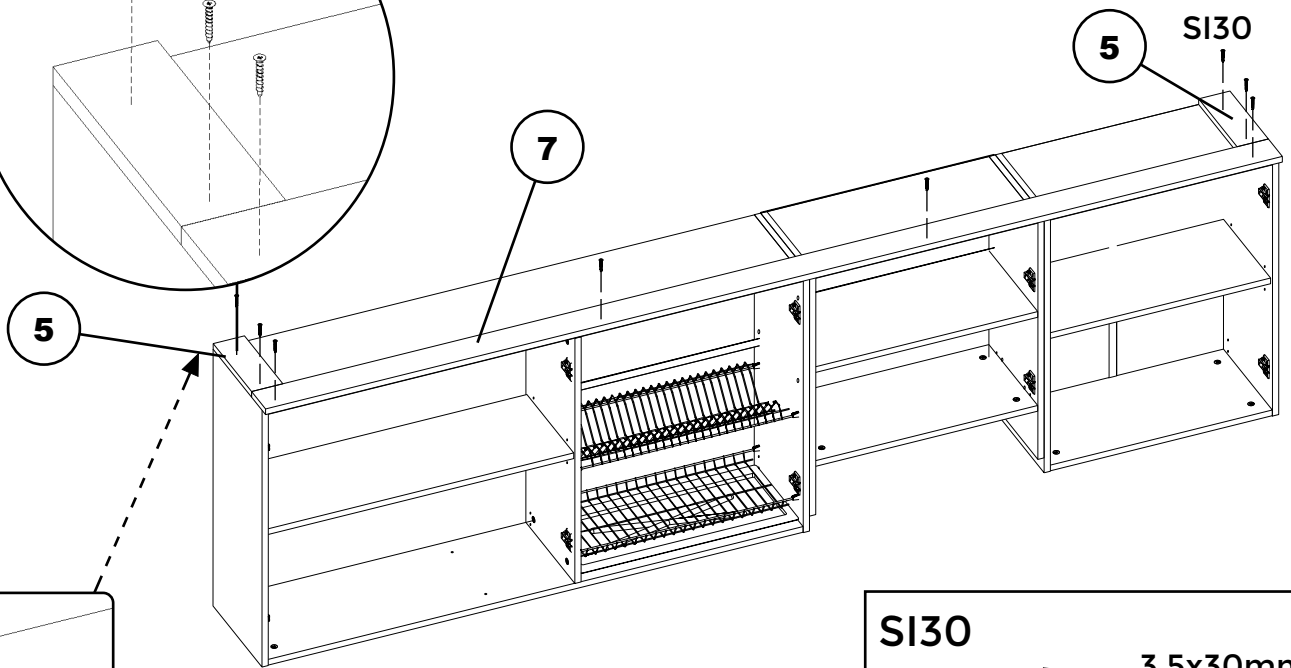
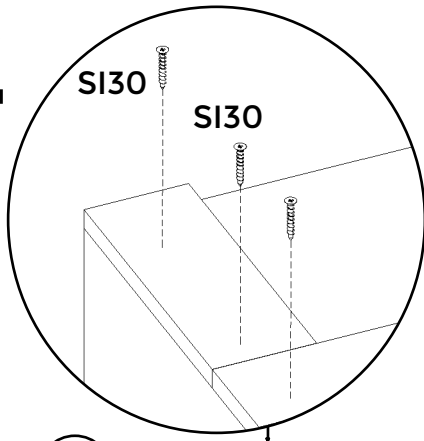
10



11



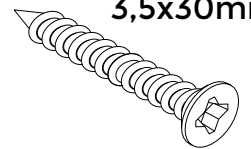
12



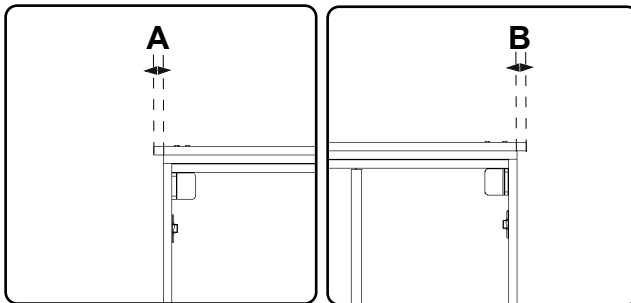
SI30

3,5x30mm

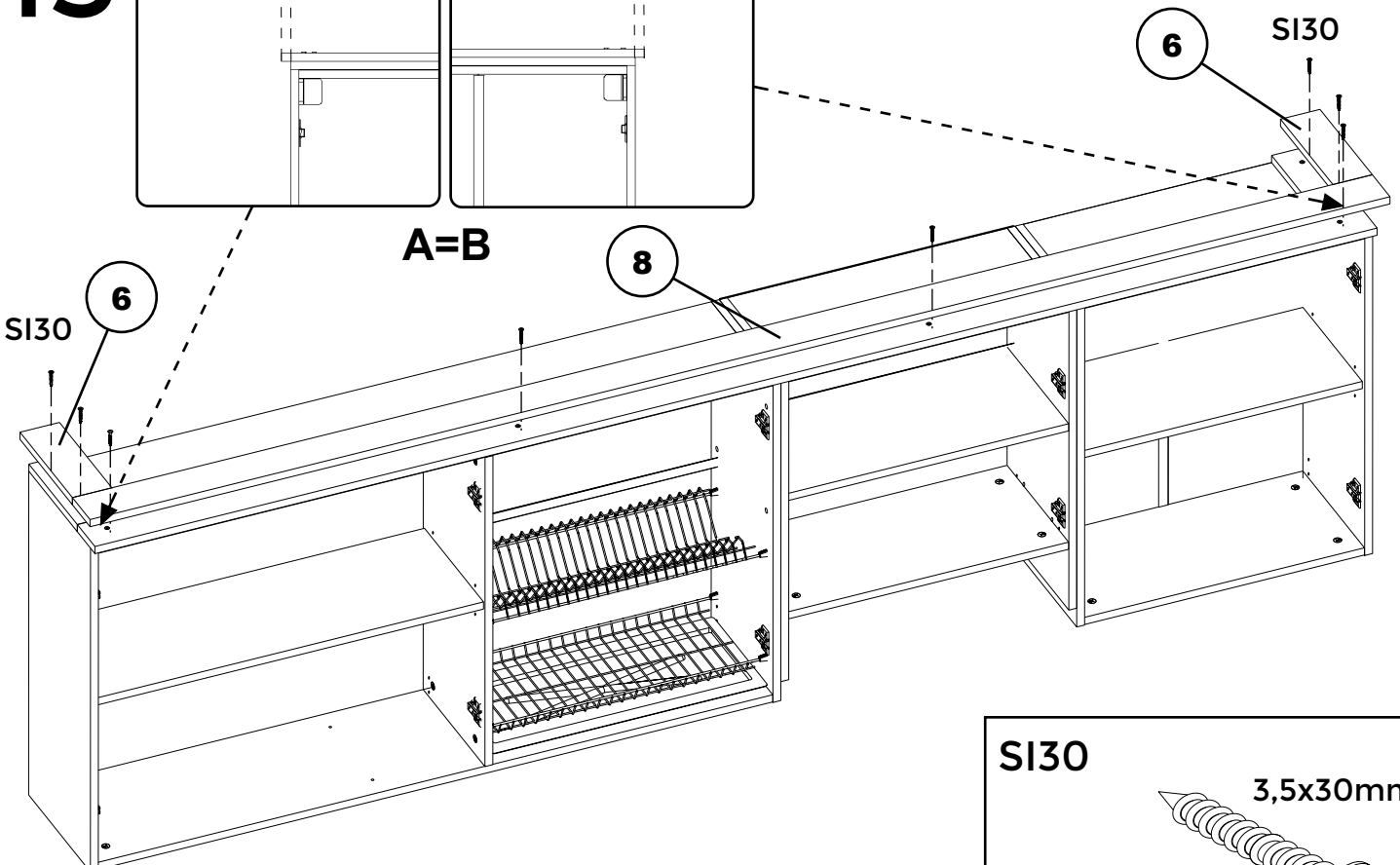
x 9



13



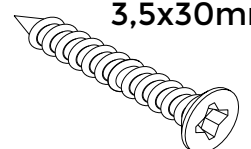
A=B



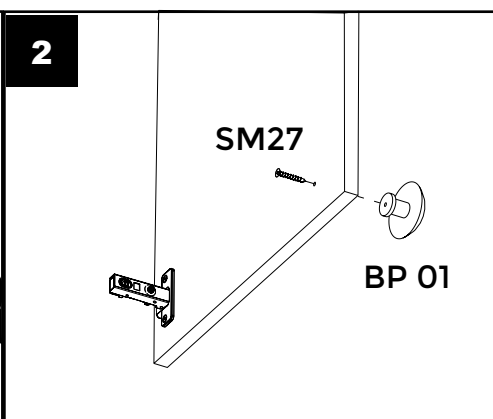
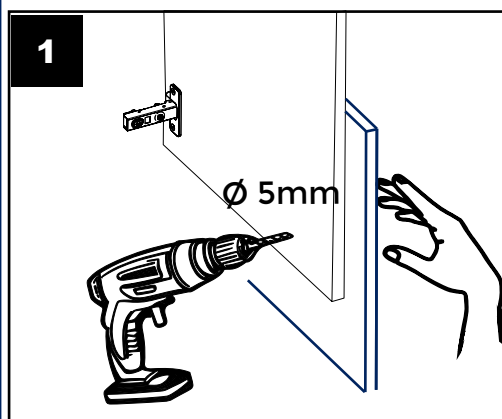
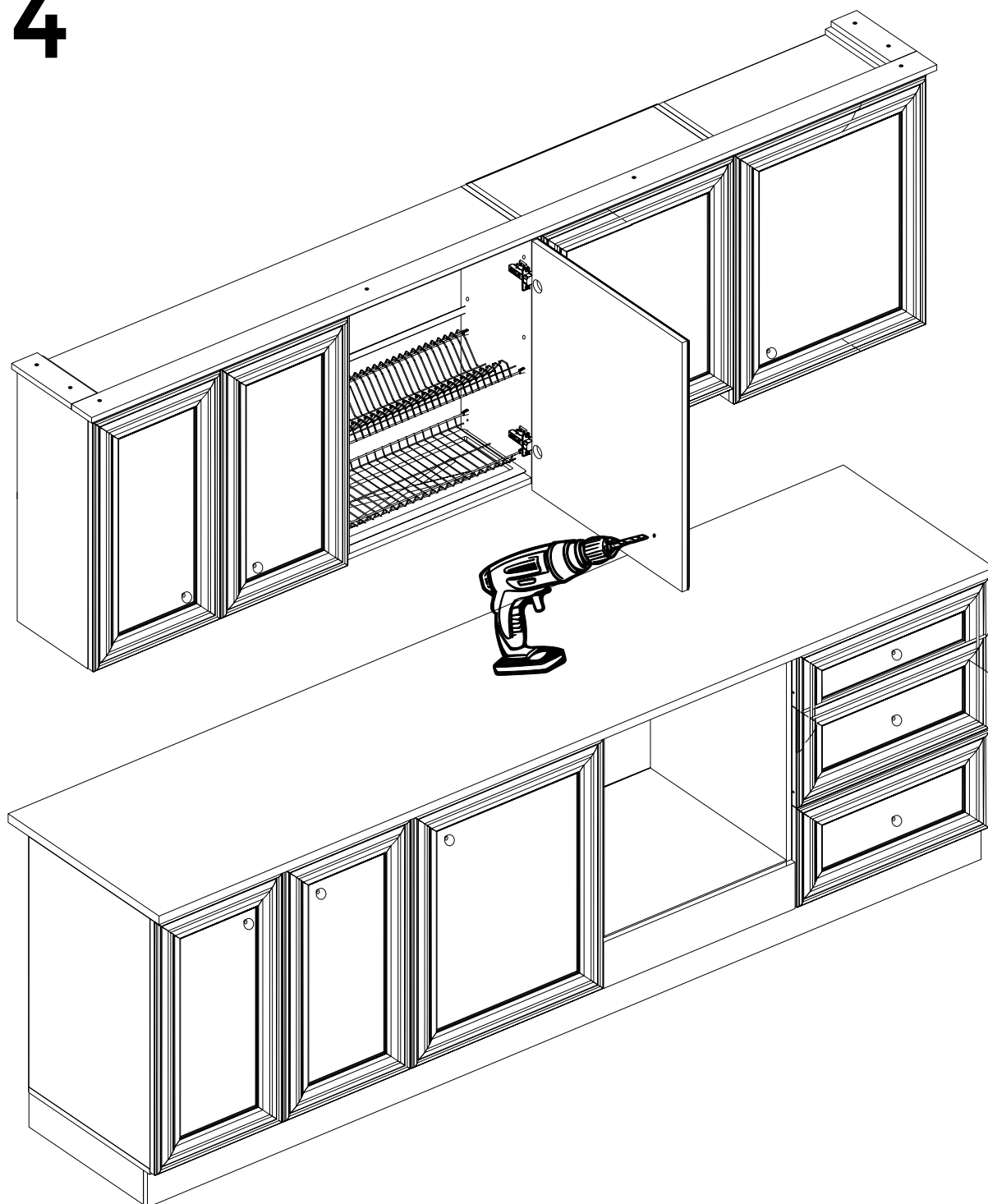
SI30

3,5x30mm

x 9



14



BP 01	
x 11	
SM27	4x27mm
x 11	