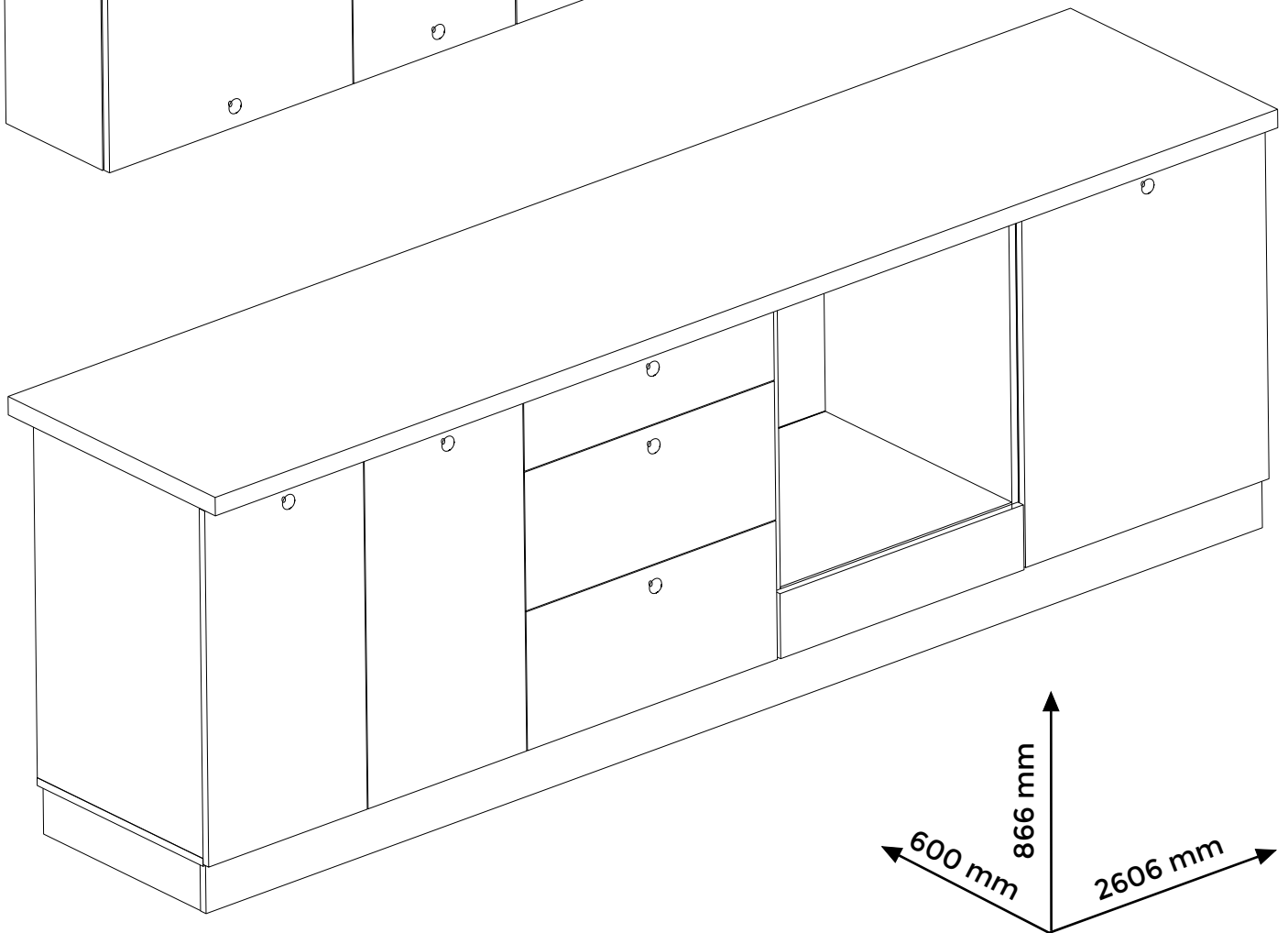
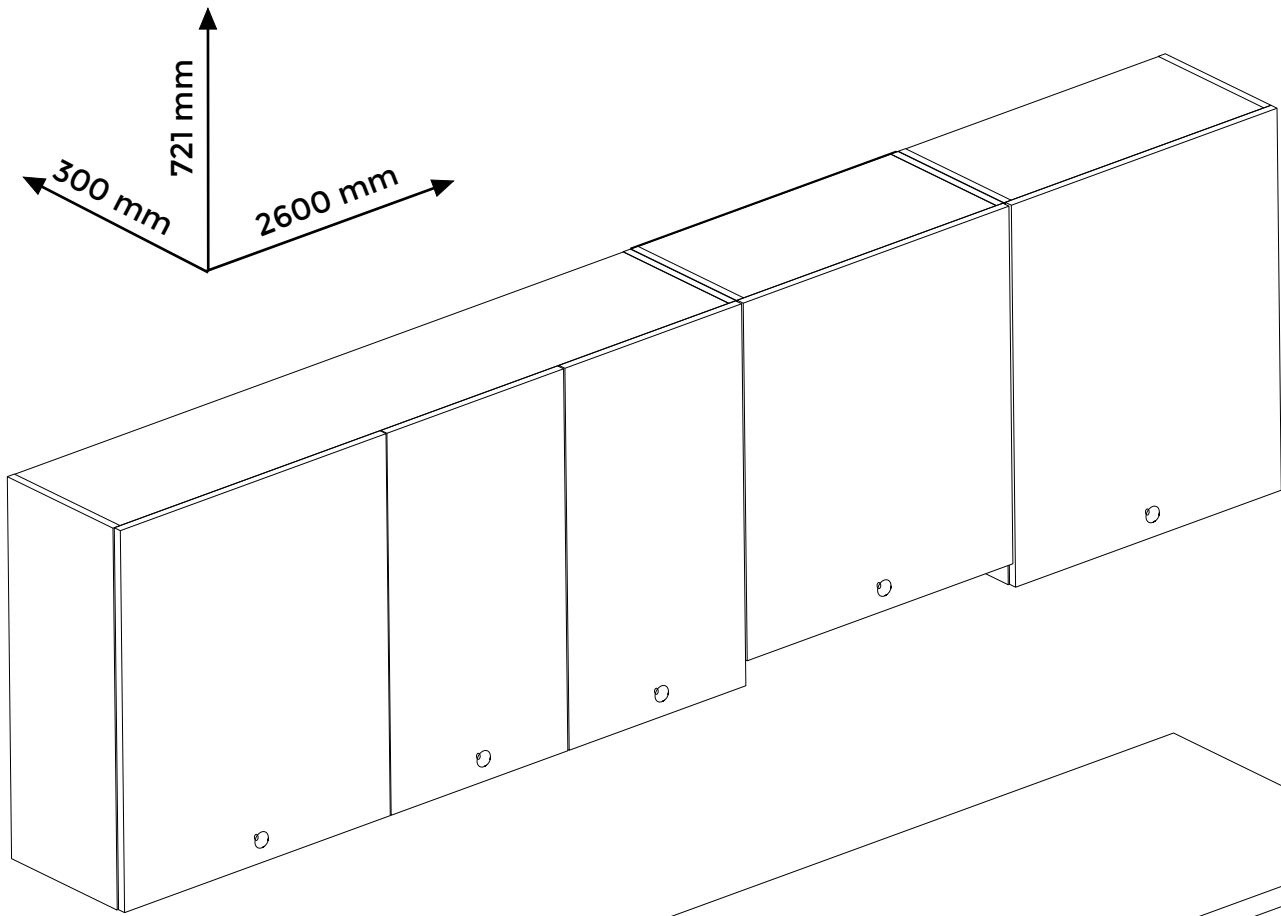


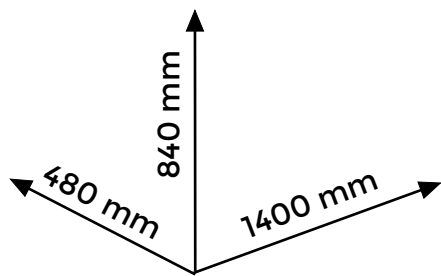
Bucataria BERDA

ASAMBLARE

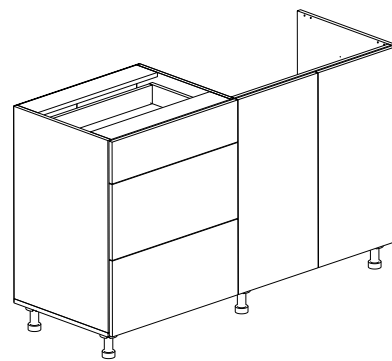


Bucatarii

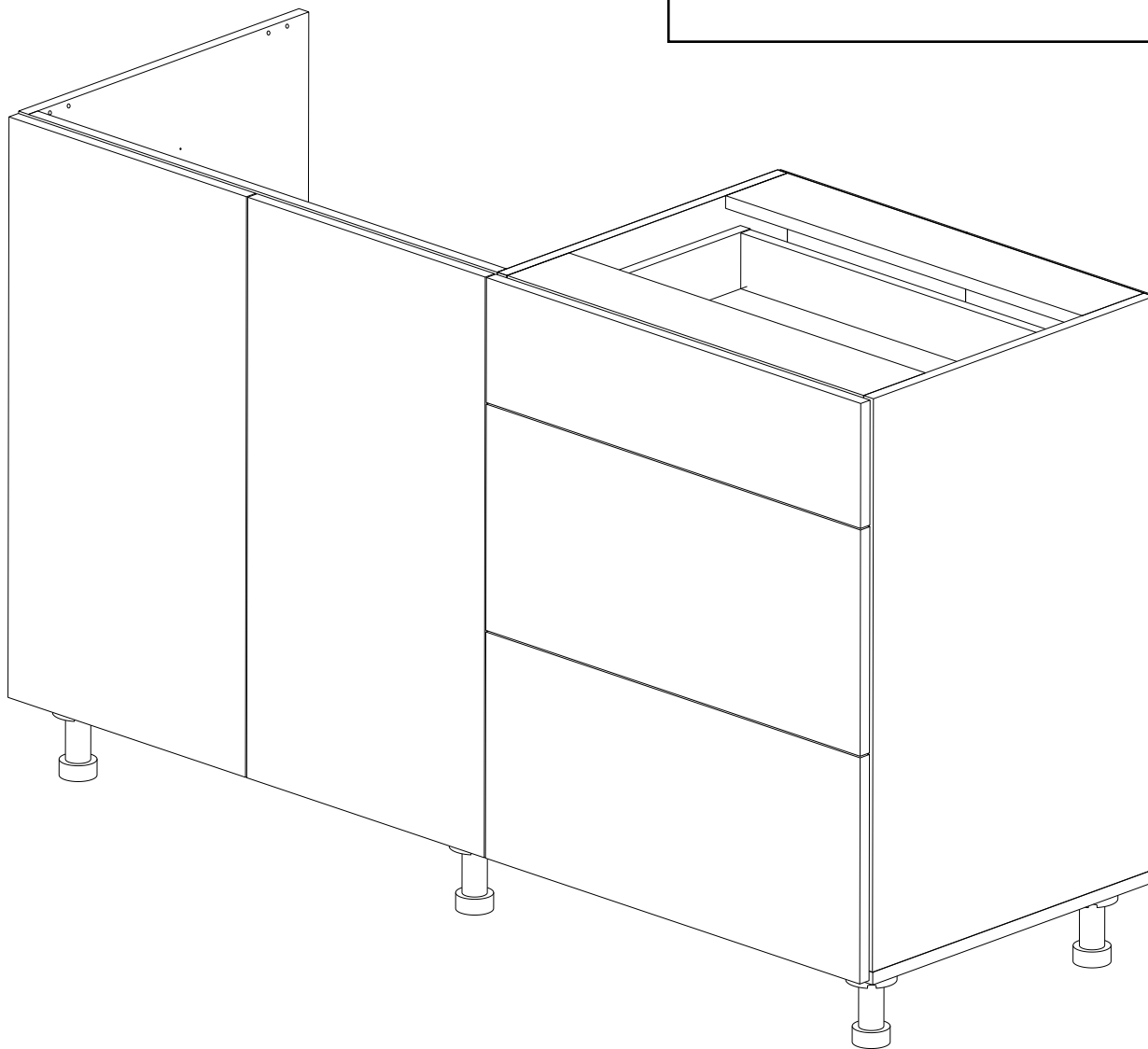
INFERIOR 1400 3S+MC H



B

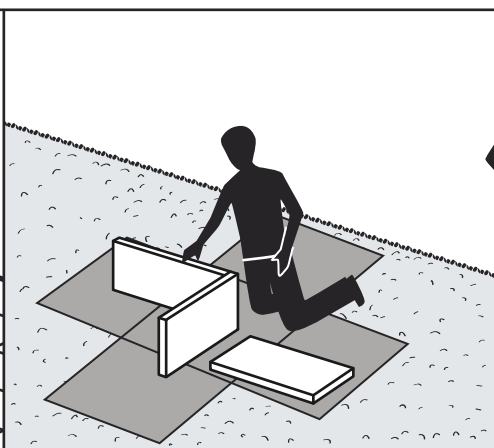
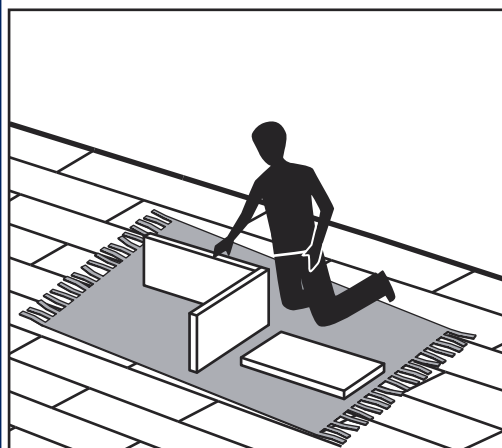
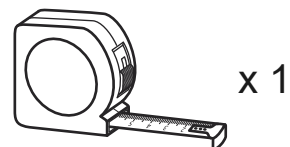
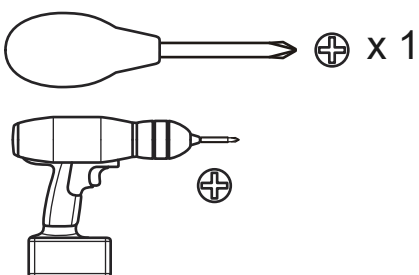


A

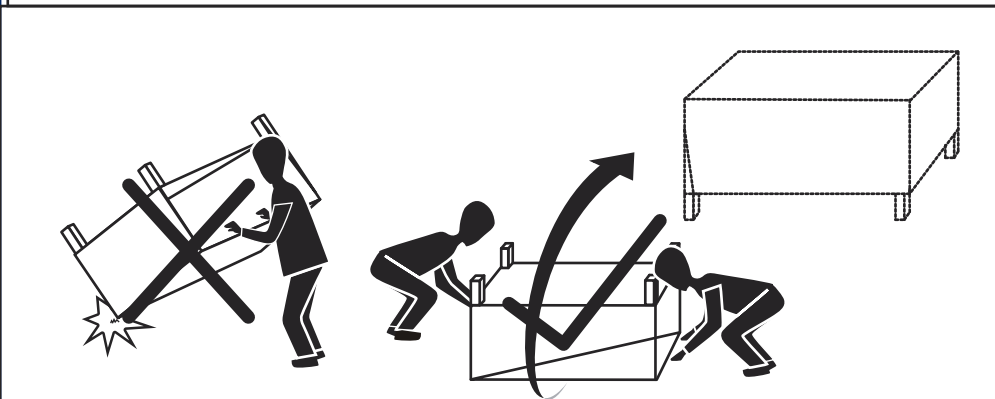
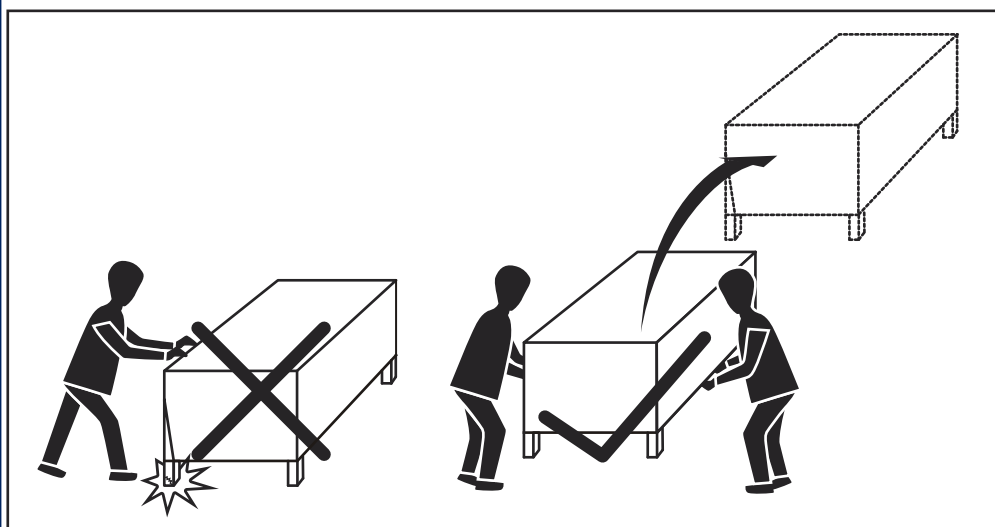
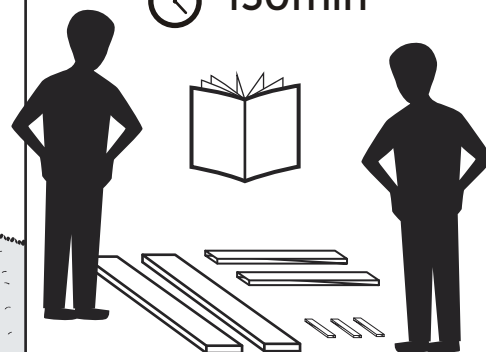


MATERIALE

Fronturi MDF
Carcasa Pal 16 mm
Spate HDF
Cant ABS 0.5 si 1 mm
Elemente de imbinare metalice si din lemn
Glisiere cu amortizare
Balamale cu amortizare
Manere plastic
Picioare plastic

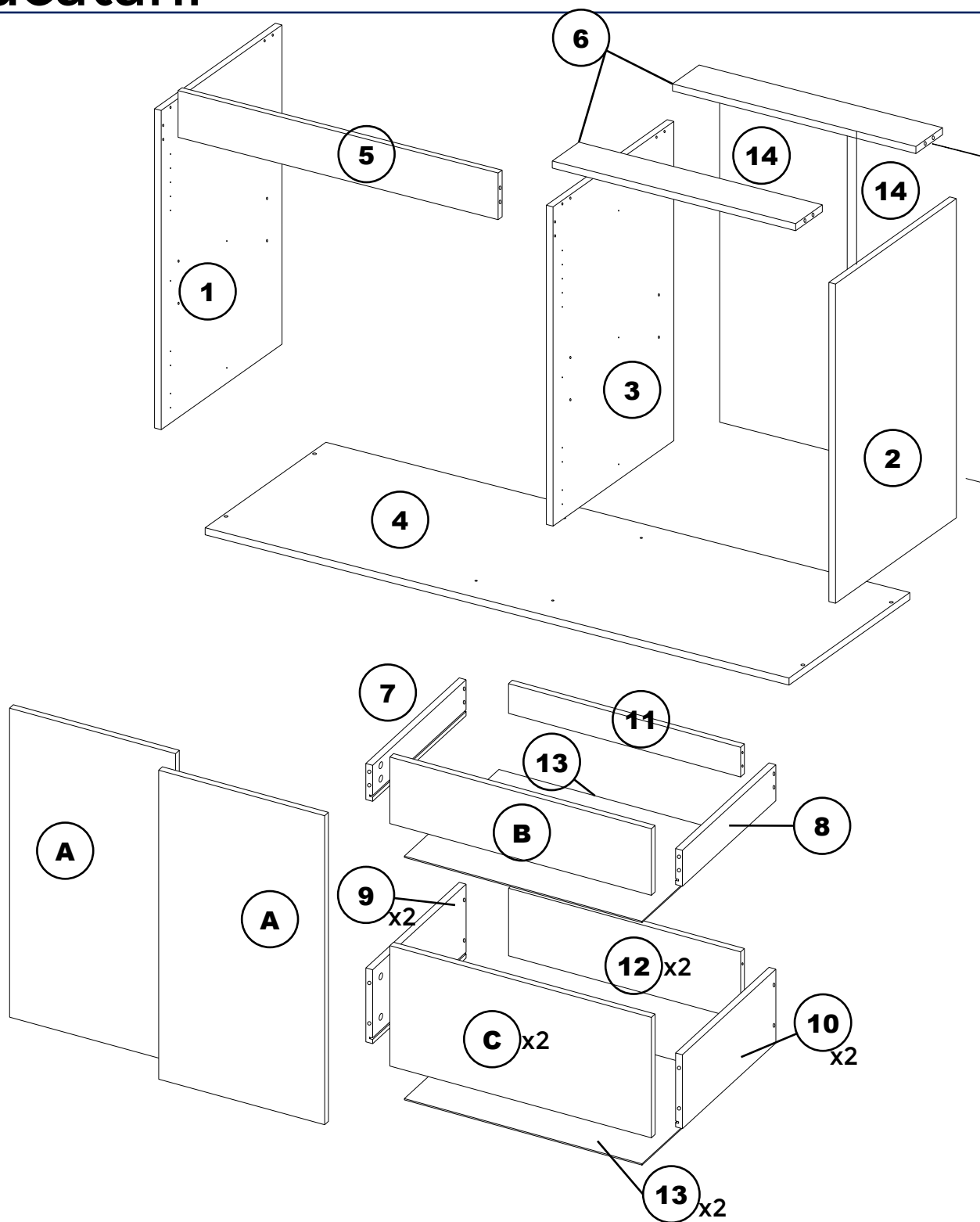


🕒 150min



Bucatarii

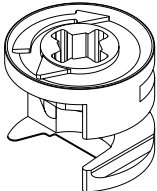
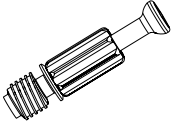
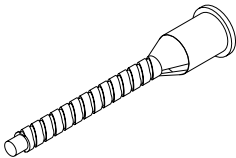
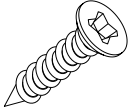
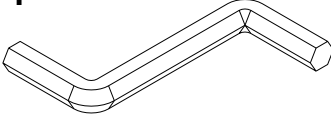
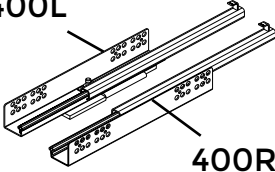
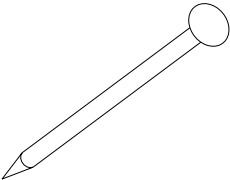
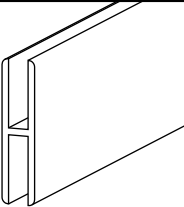
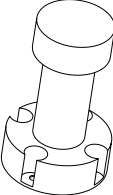
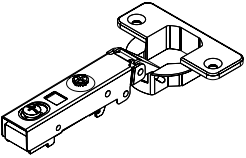
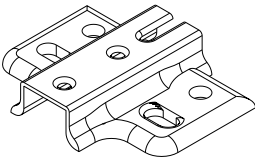
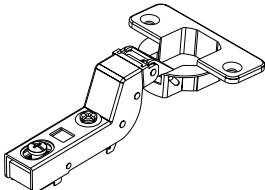
INFERIOR 1400 3S+MC H



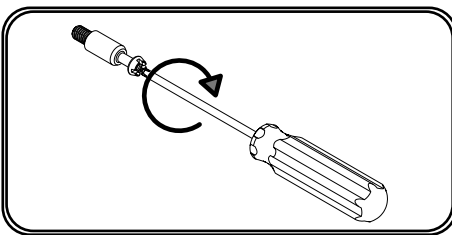
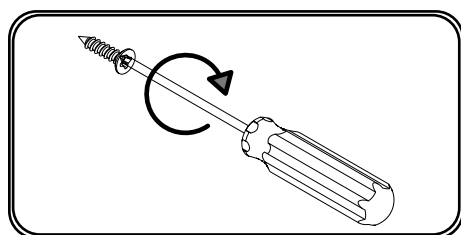
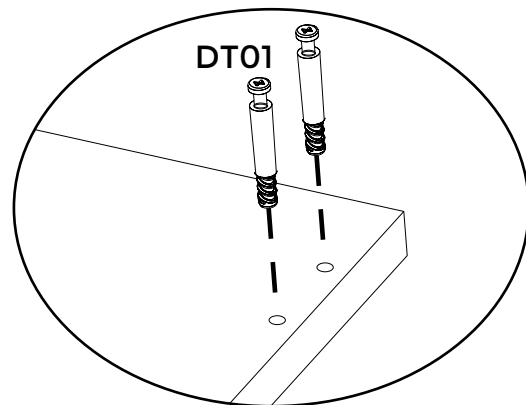
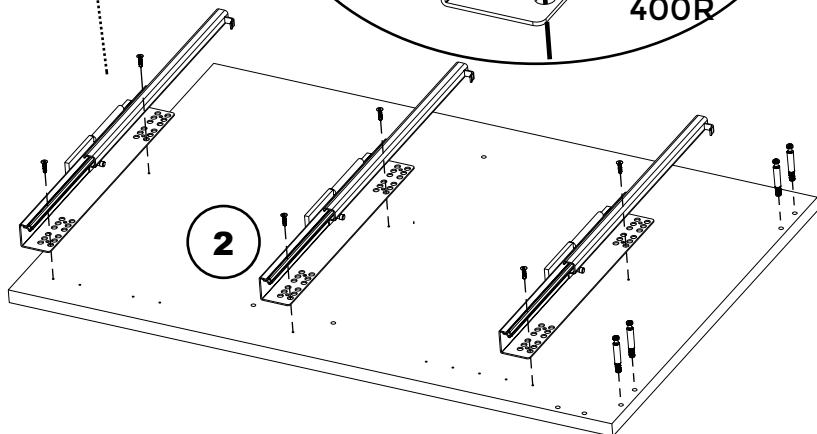
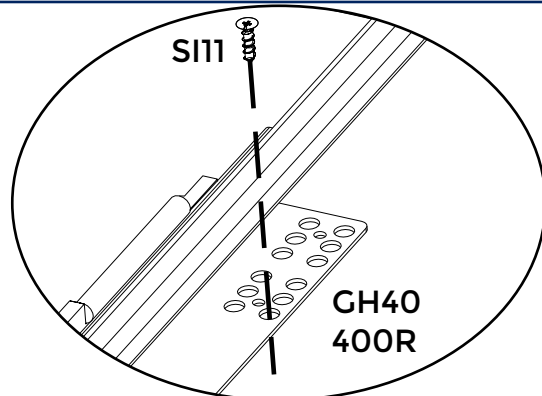
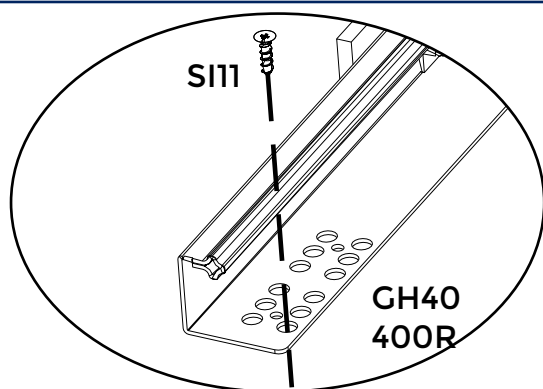
Nr	COD	BuC	Nr	COD	BuC	Nr	COD	BuC
1	0101	1	7	0107	1	13	0113	3
2	0102	1	8	0108	1	14	0114	2
3	0103	1	9	0109	2	A	1152	2
4	0104	1	10	0110	2	B	1162	1
5	0105	1	11	0111	1	C	1172	2
6	0106	2	12	0112	2			

Bucatarii

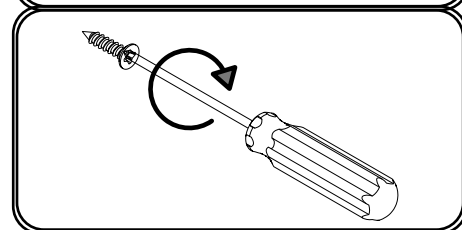
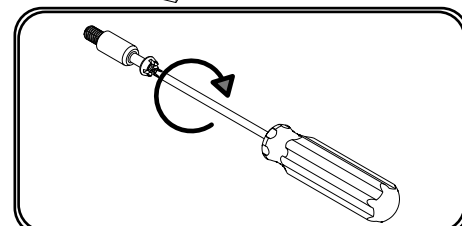
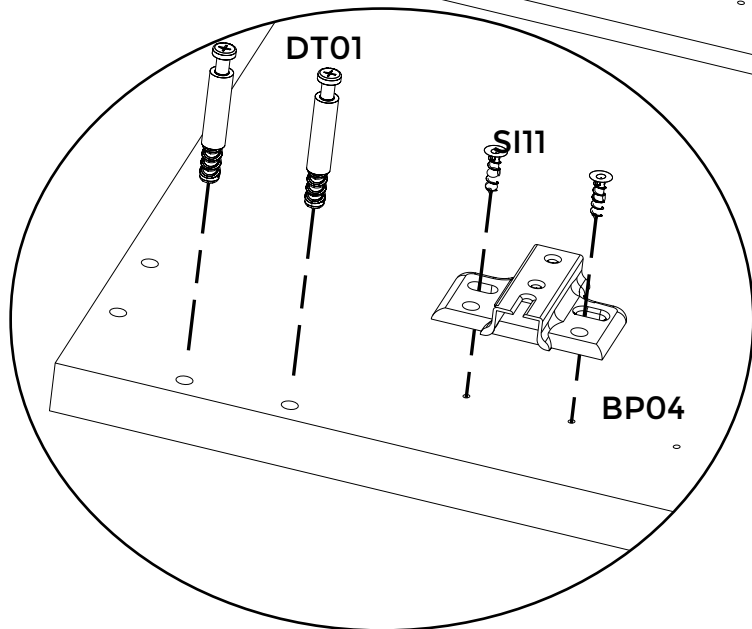
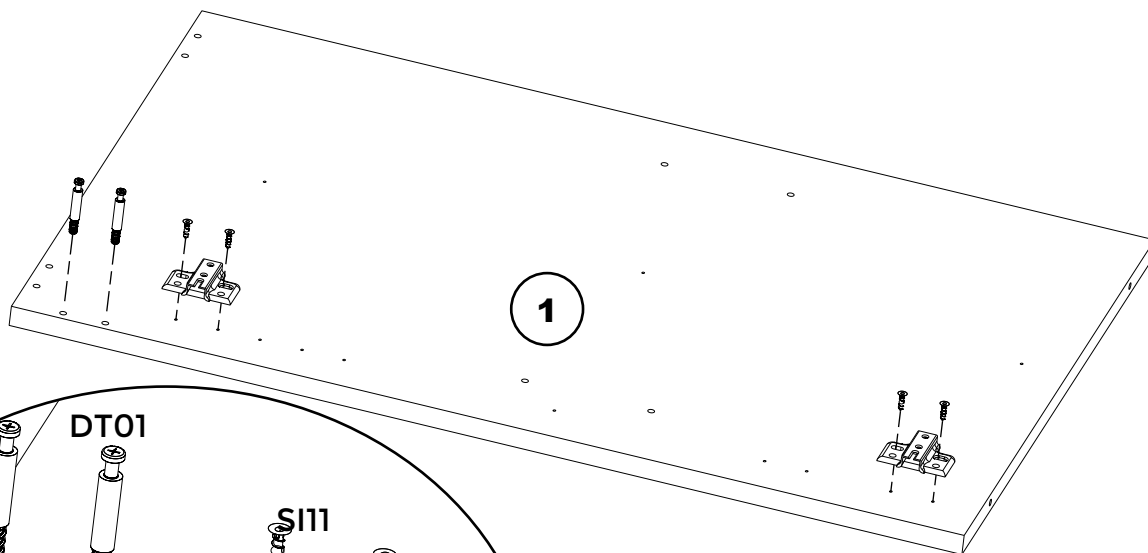
INFERIOR 1400 3S+MC H

DC01 x26 	DT01 x26 	SE50 x16 
SI11 x60 	HH04 x1 	GH40 400L x3 400R 
CT01 ≈ 35 	PH01 x1 	PB01 x6 
BA01 x2 	BP04 x4 	BA03 x2 

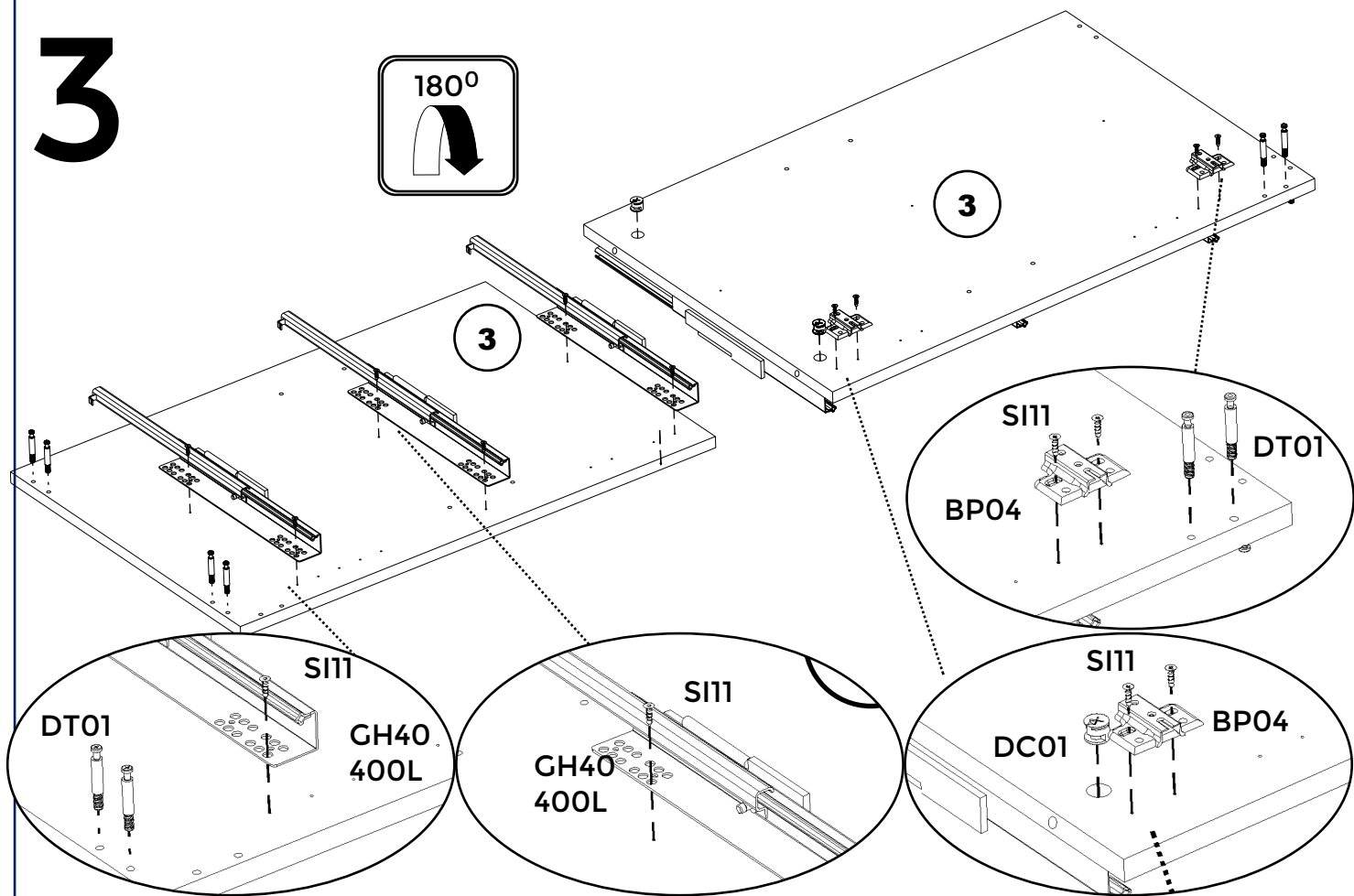
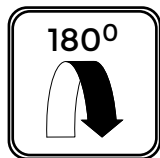
1



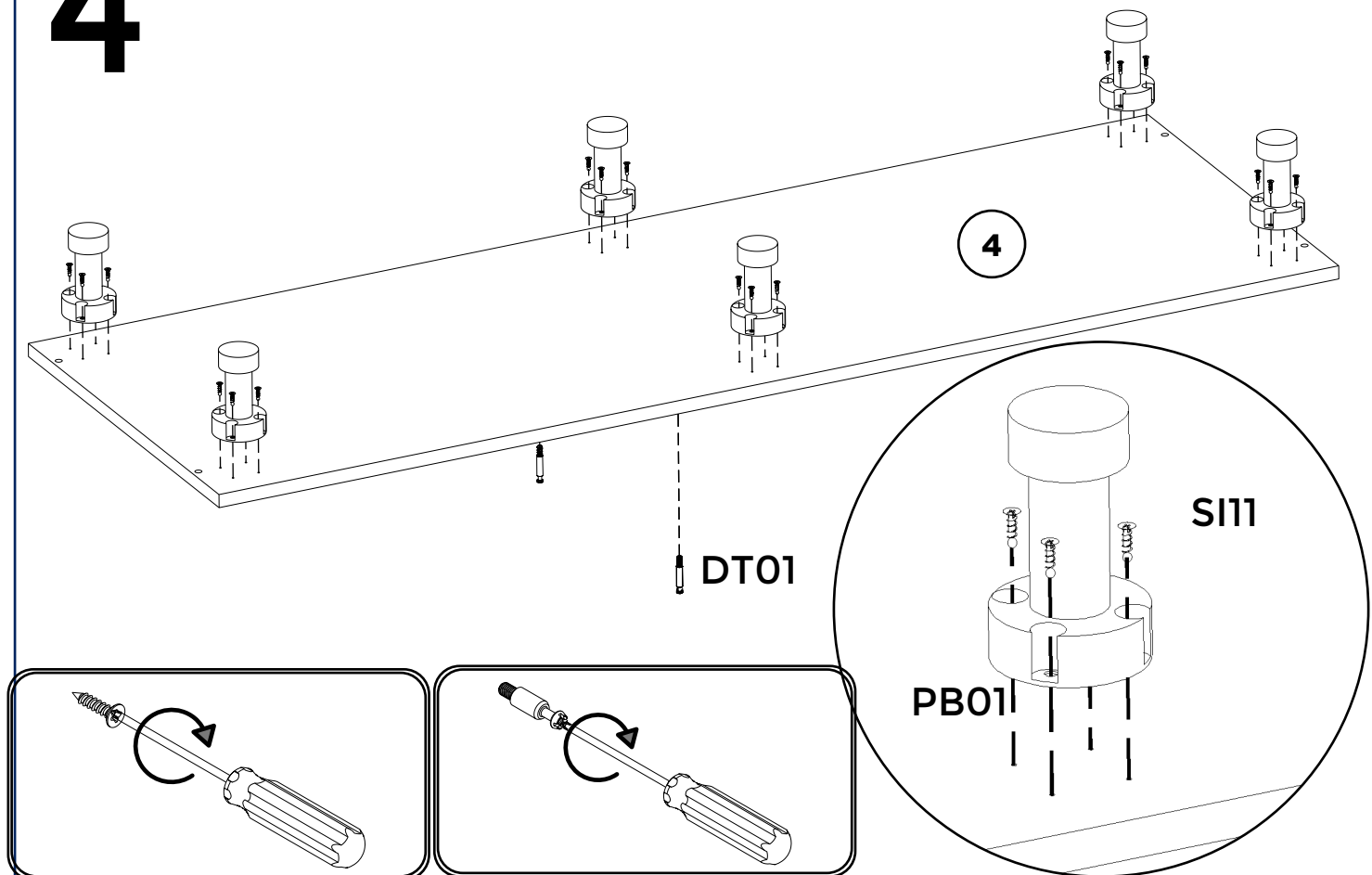
2



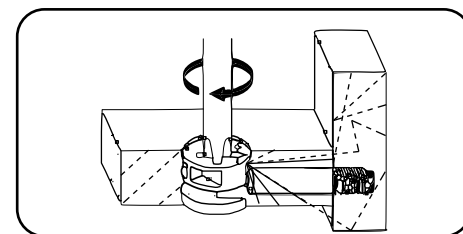
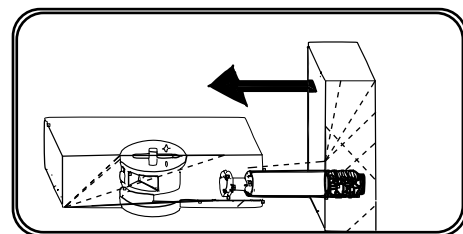
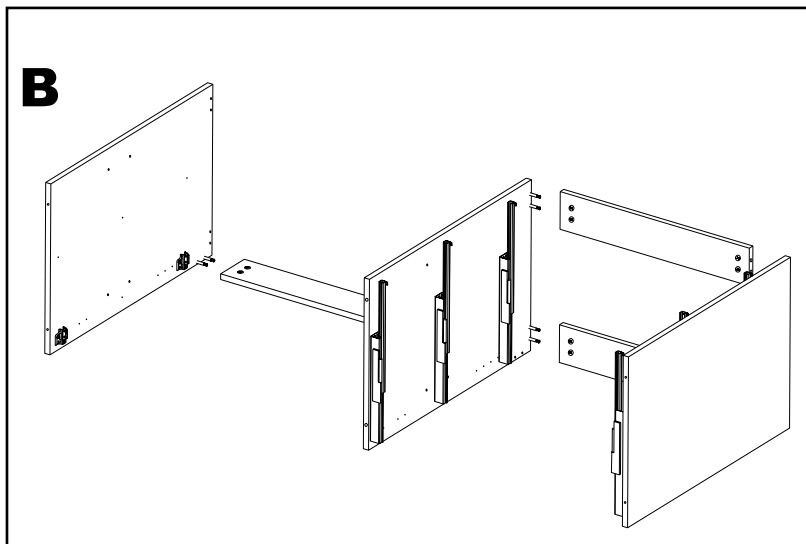
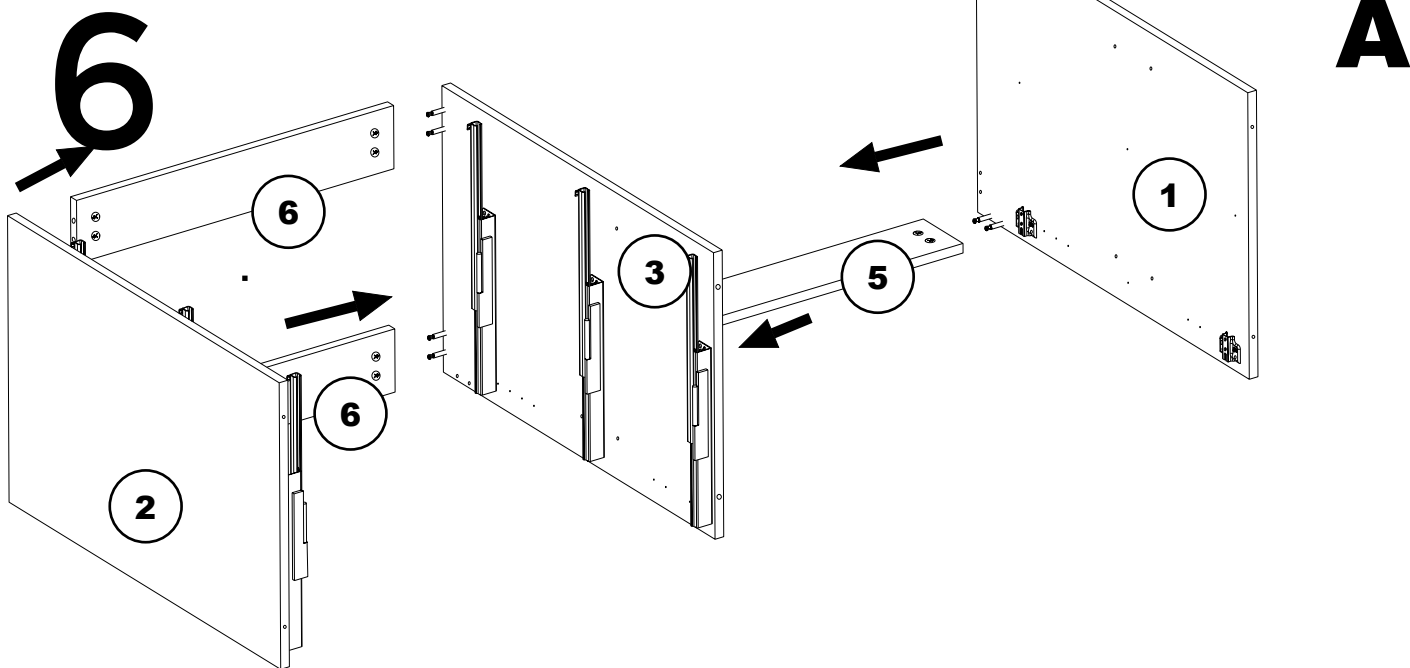
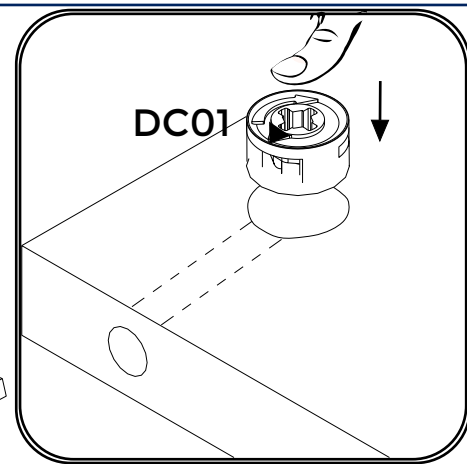
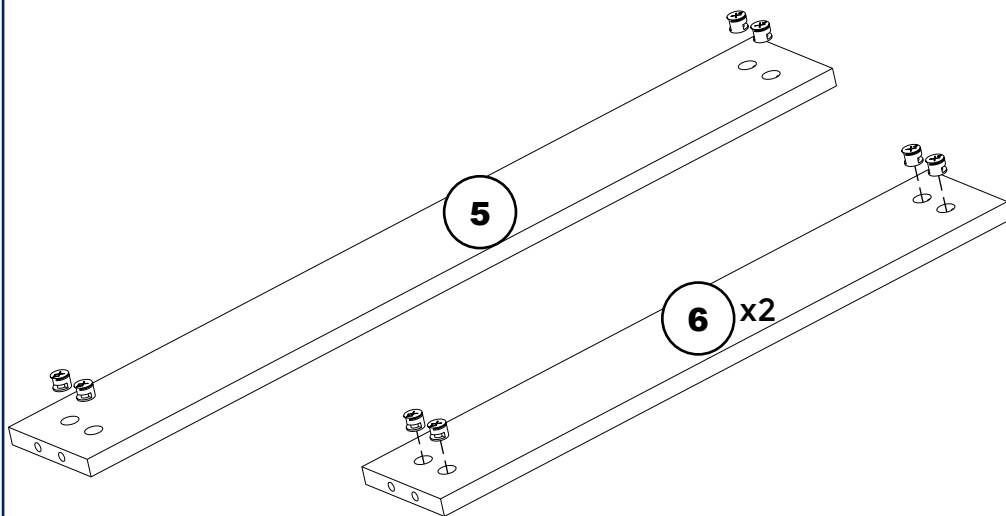
3



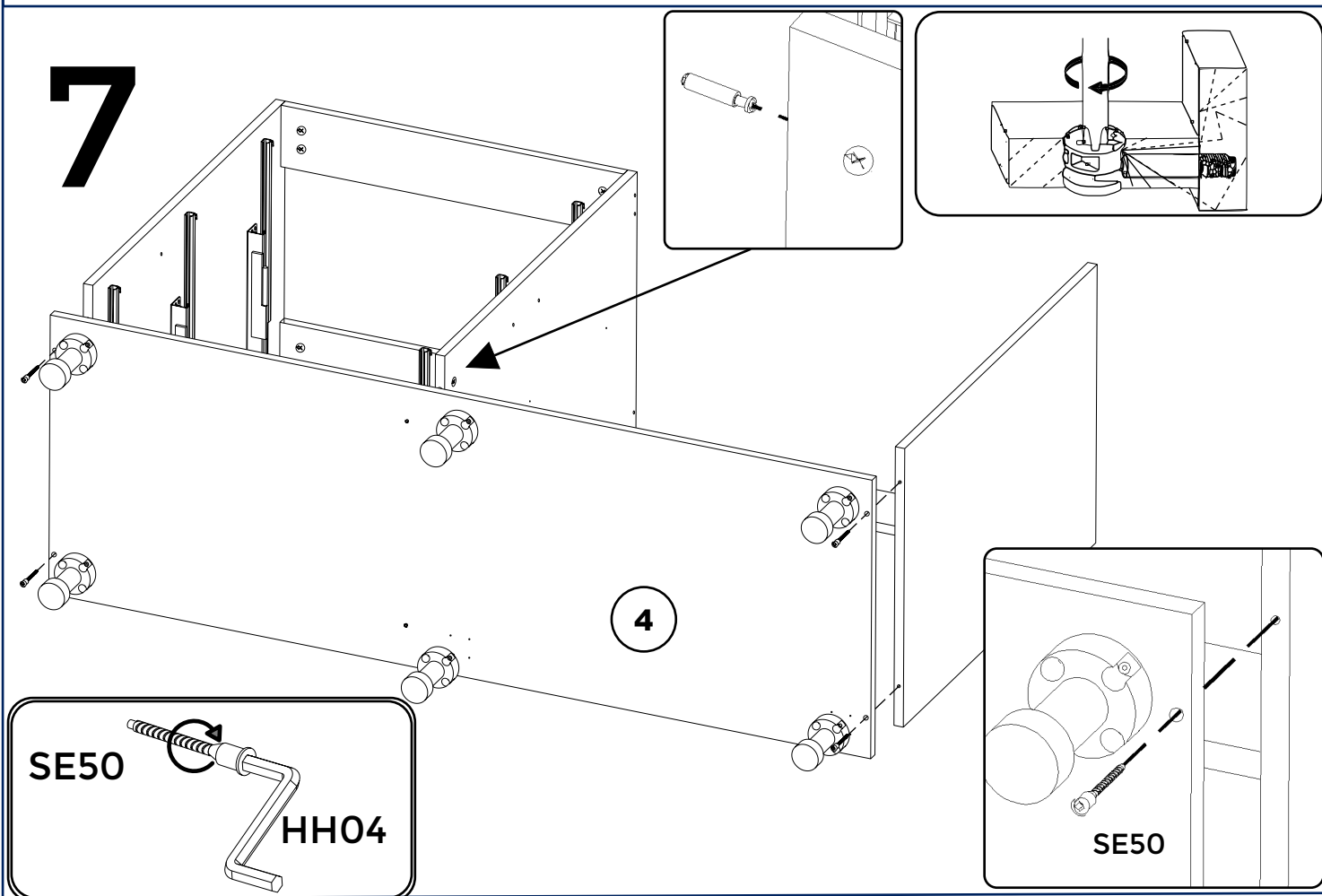
4



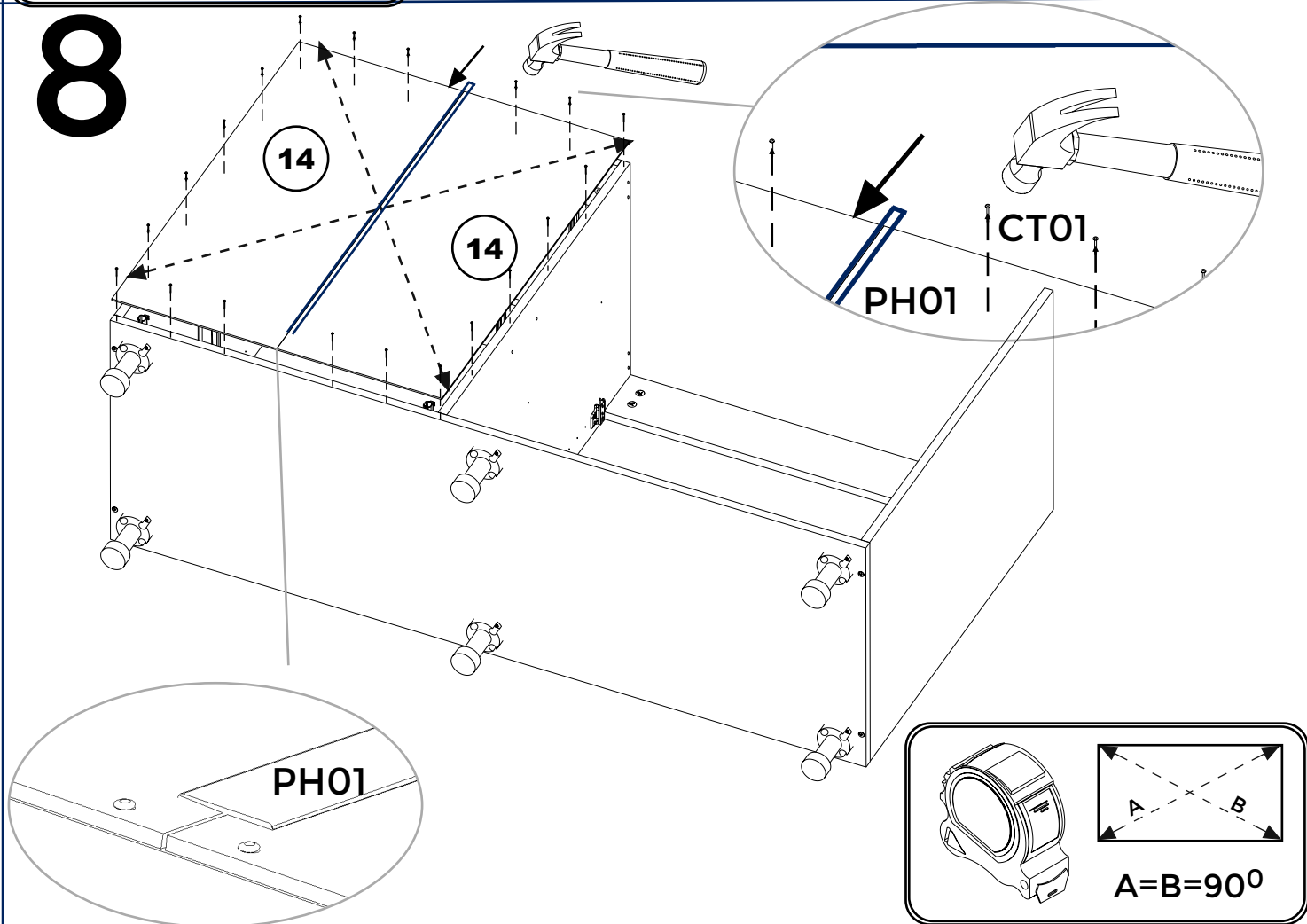
5



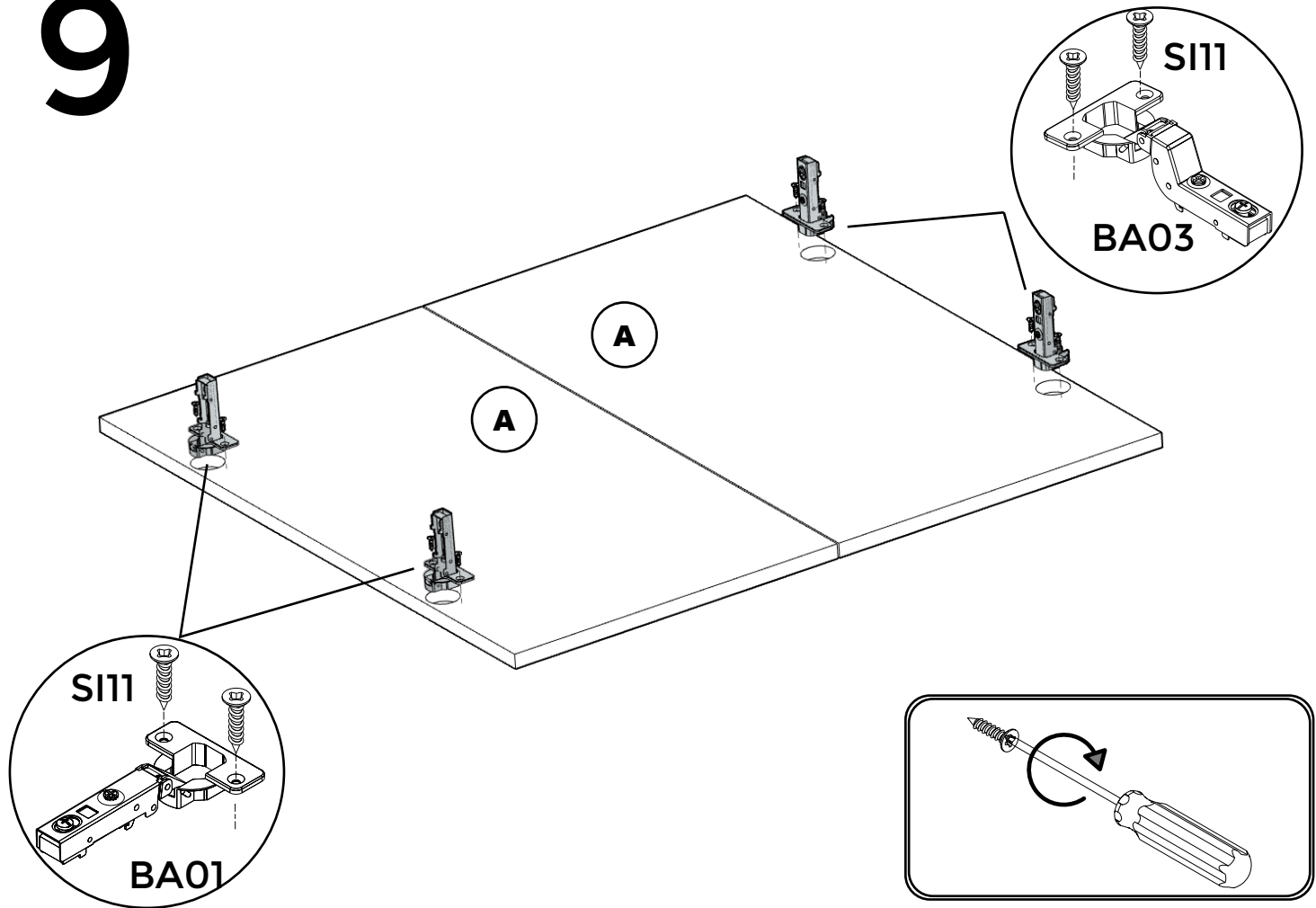
7



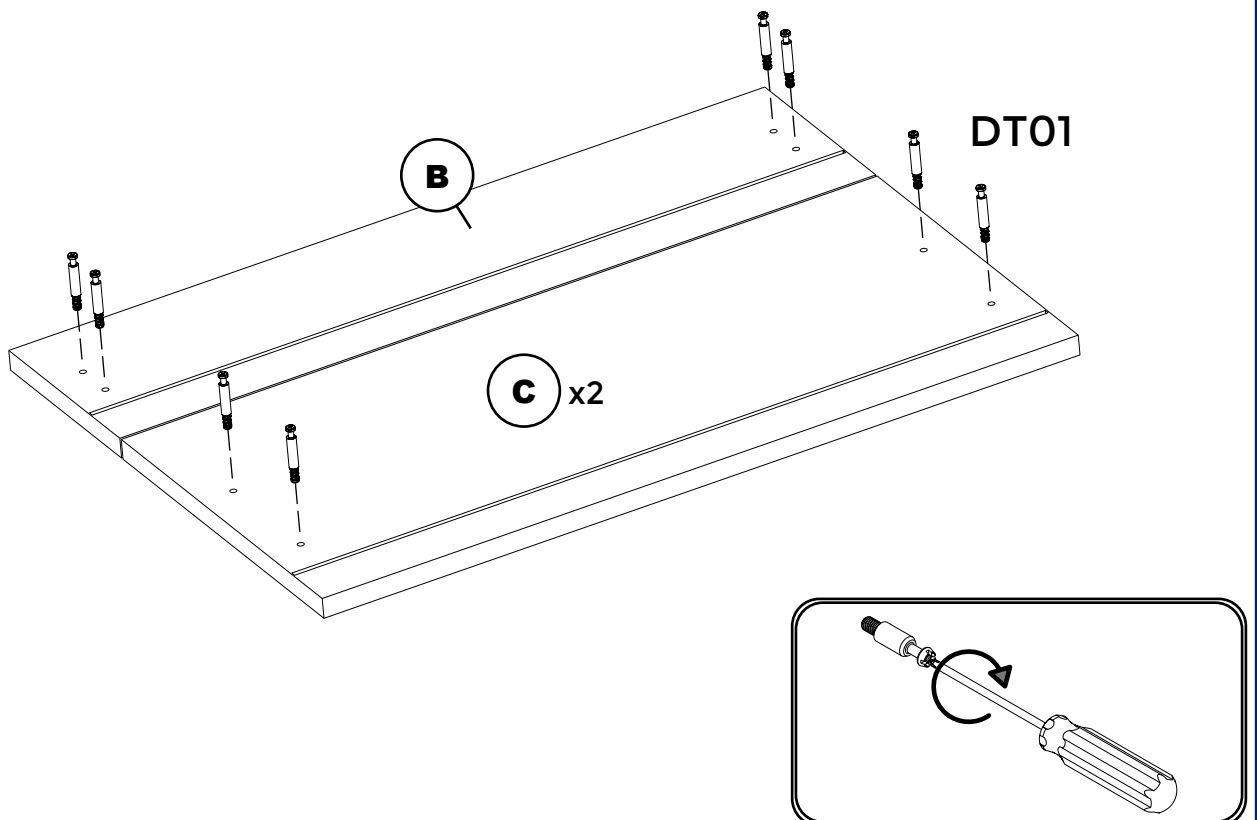
8



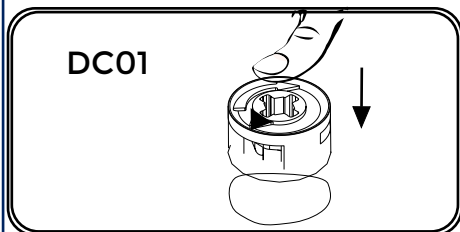
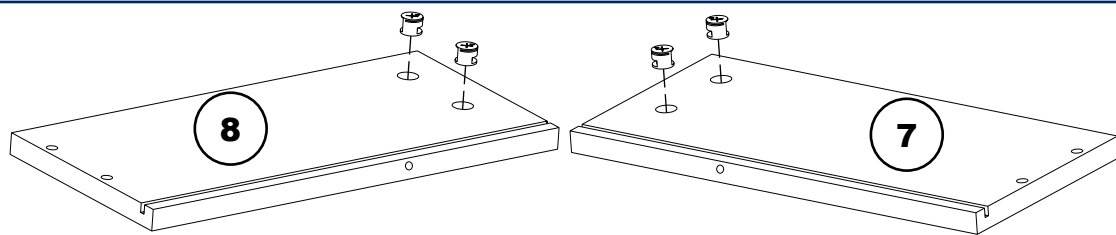
9



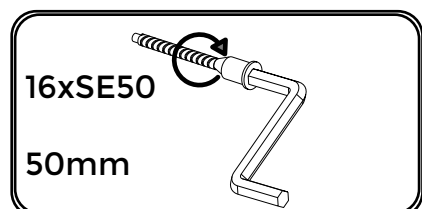
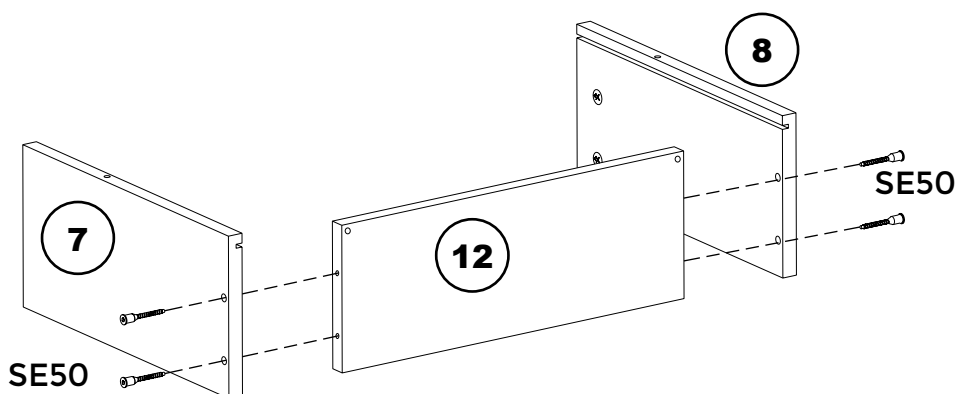
10



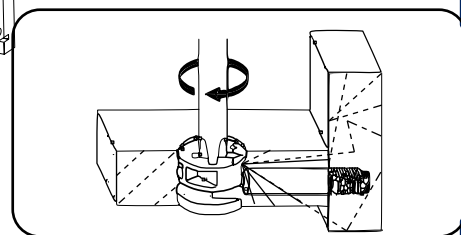
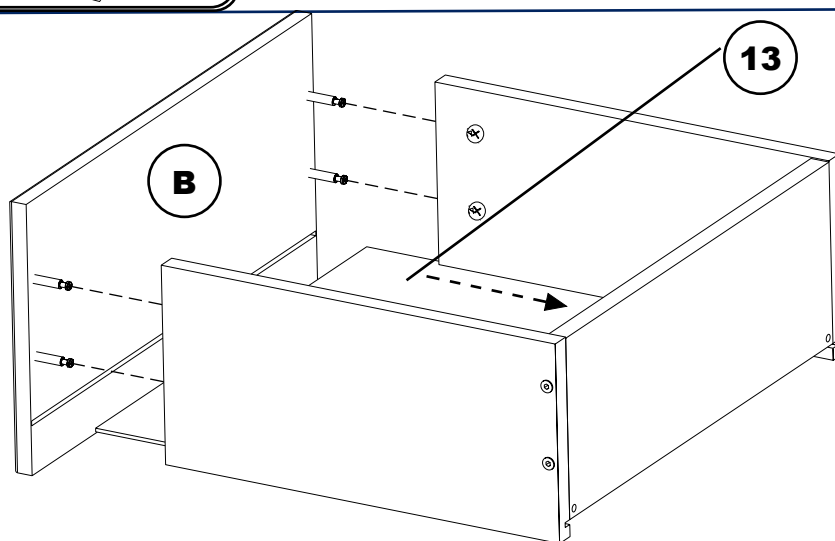
11



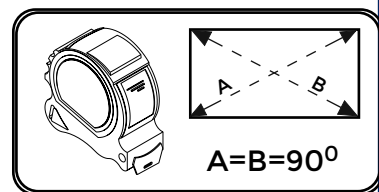
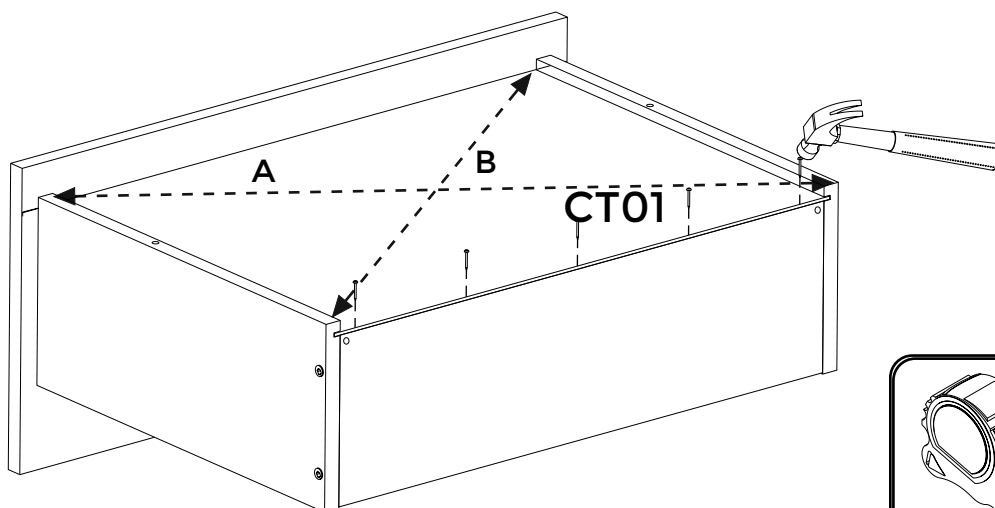
12



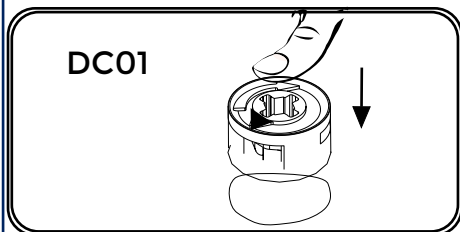
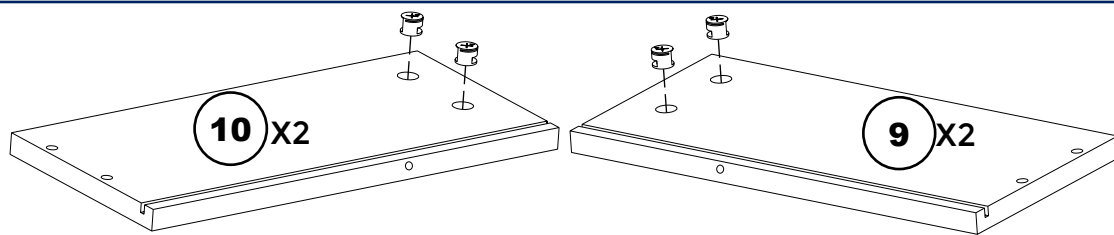
13



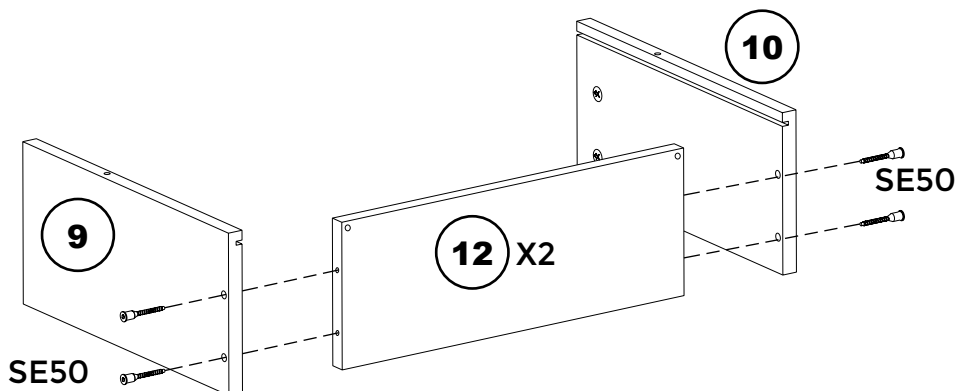
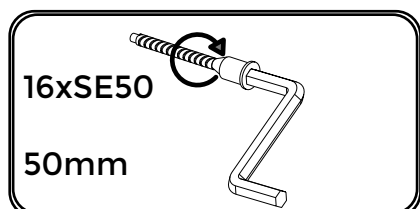
14



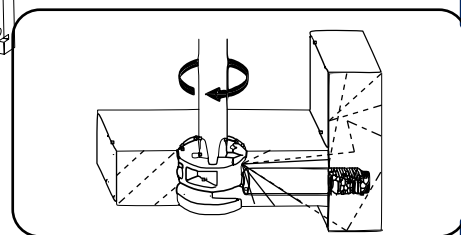
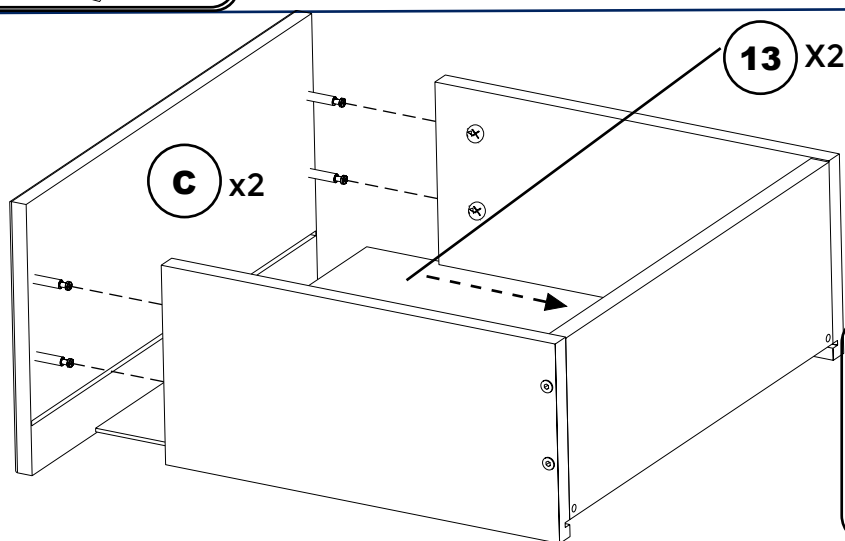
15



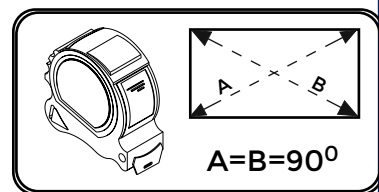
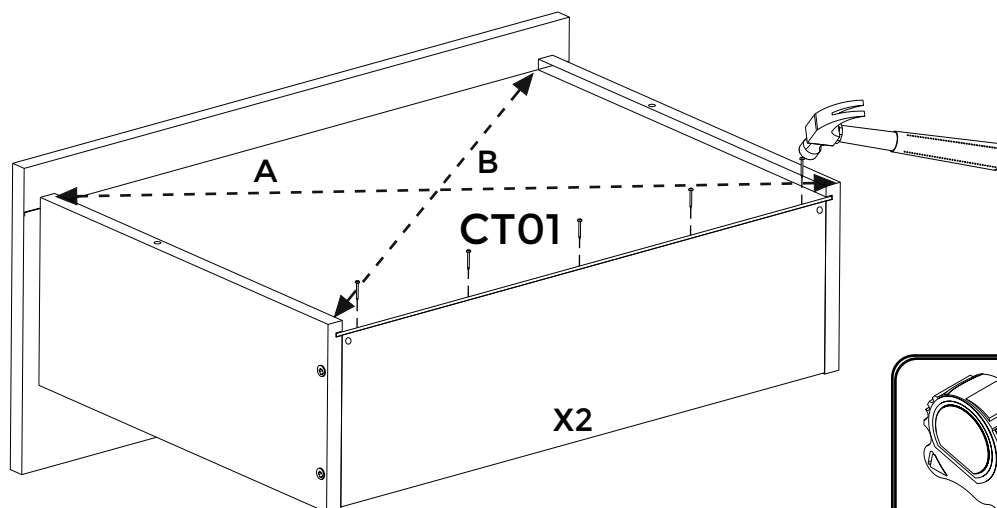
16



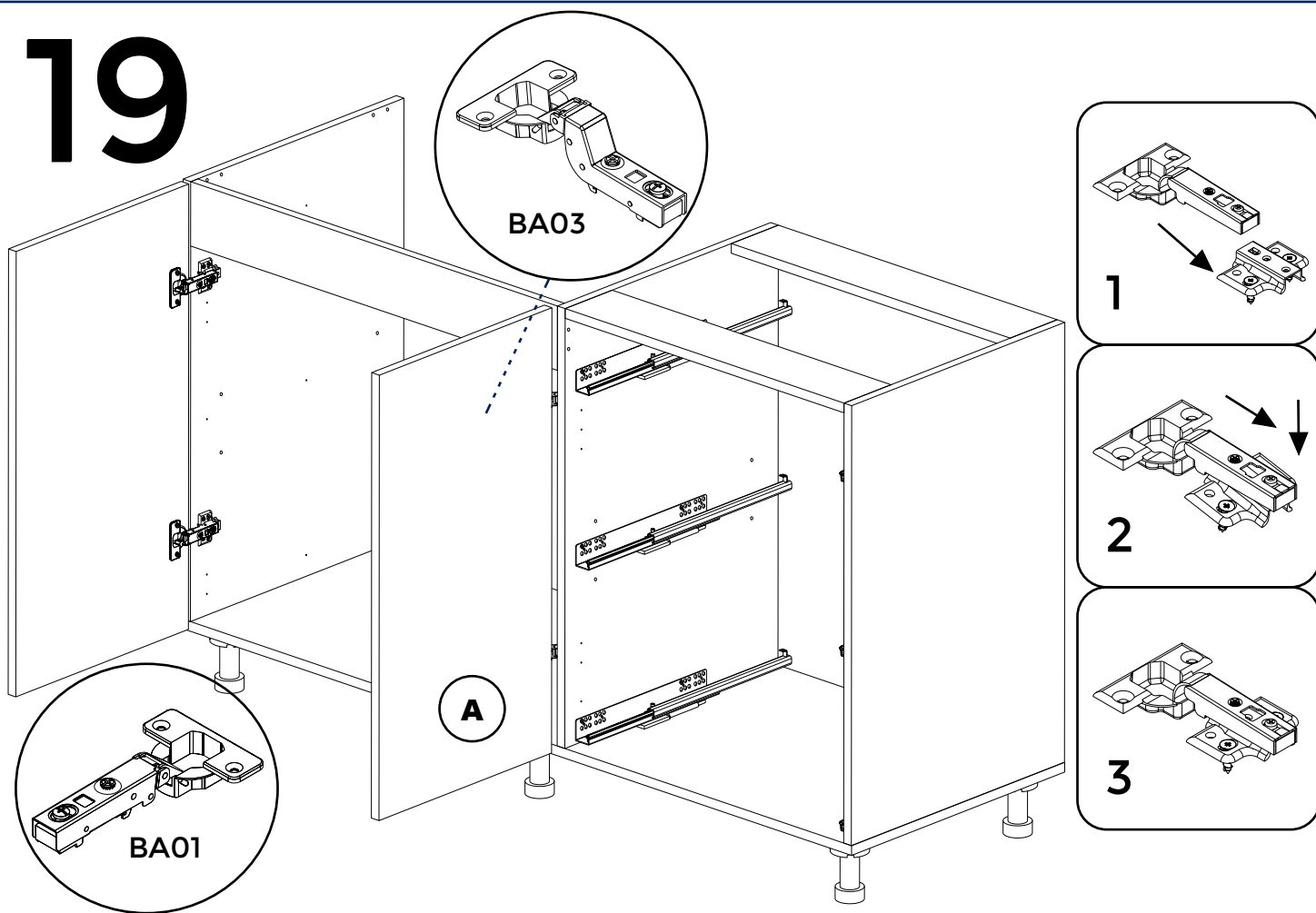
17



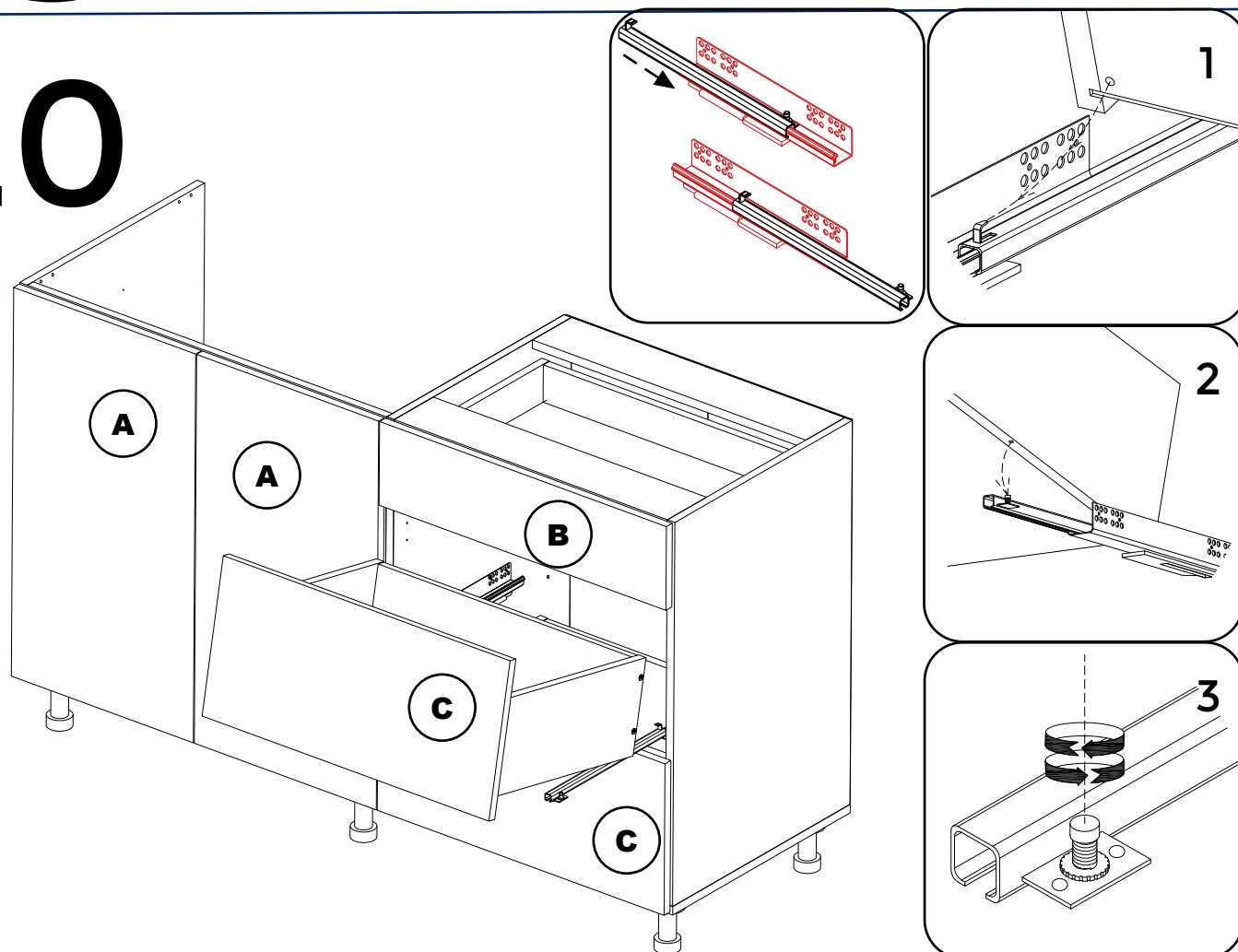
18



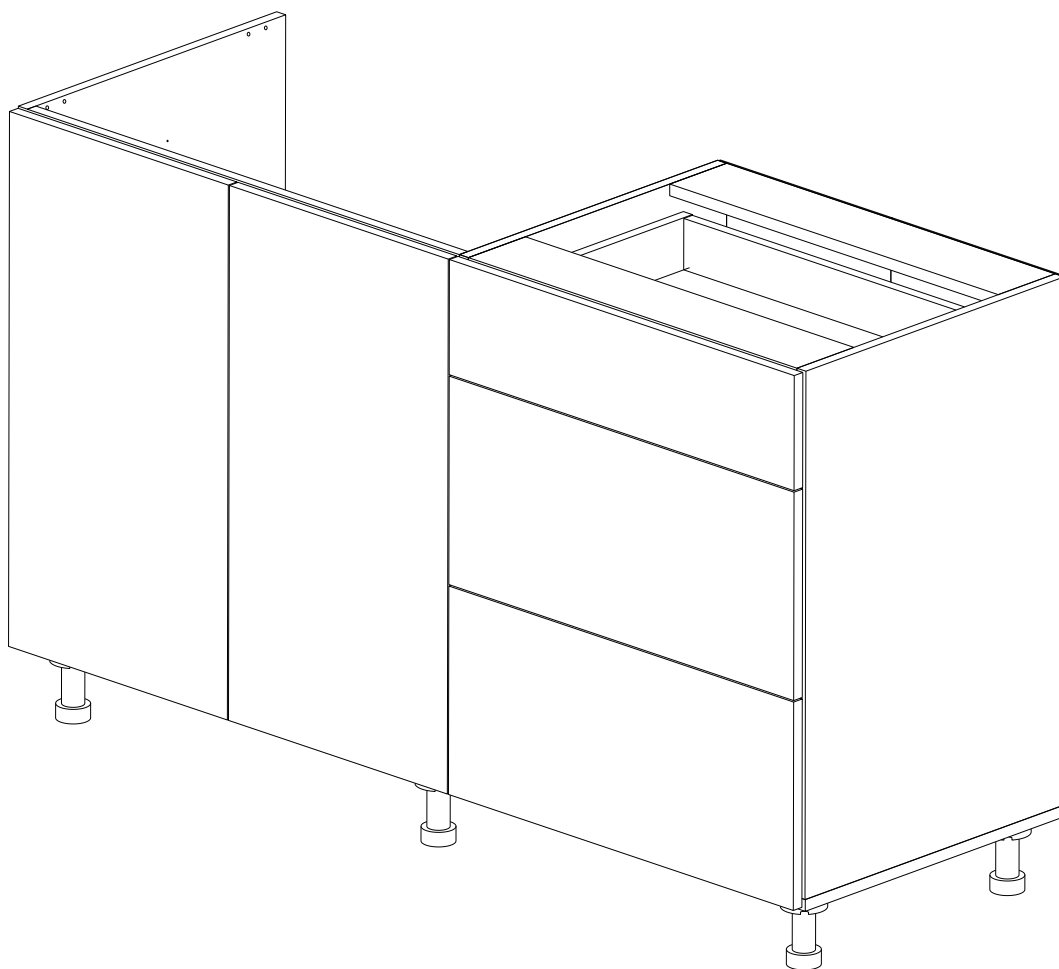
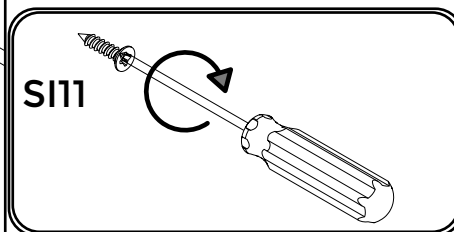
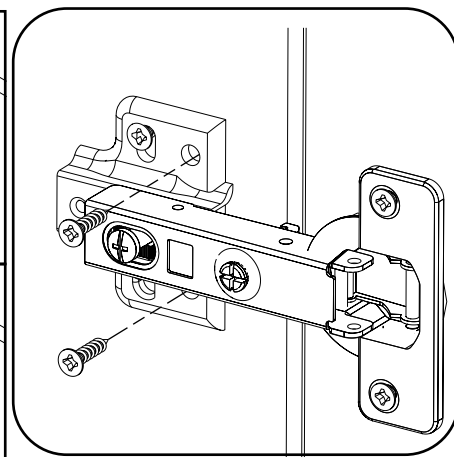
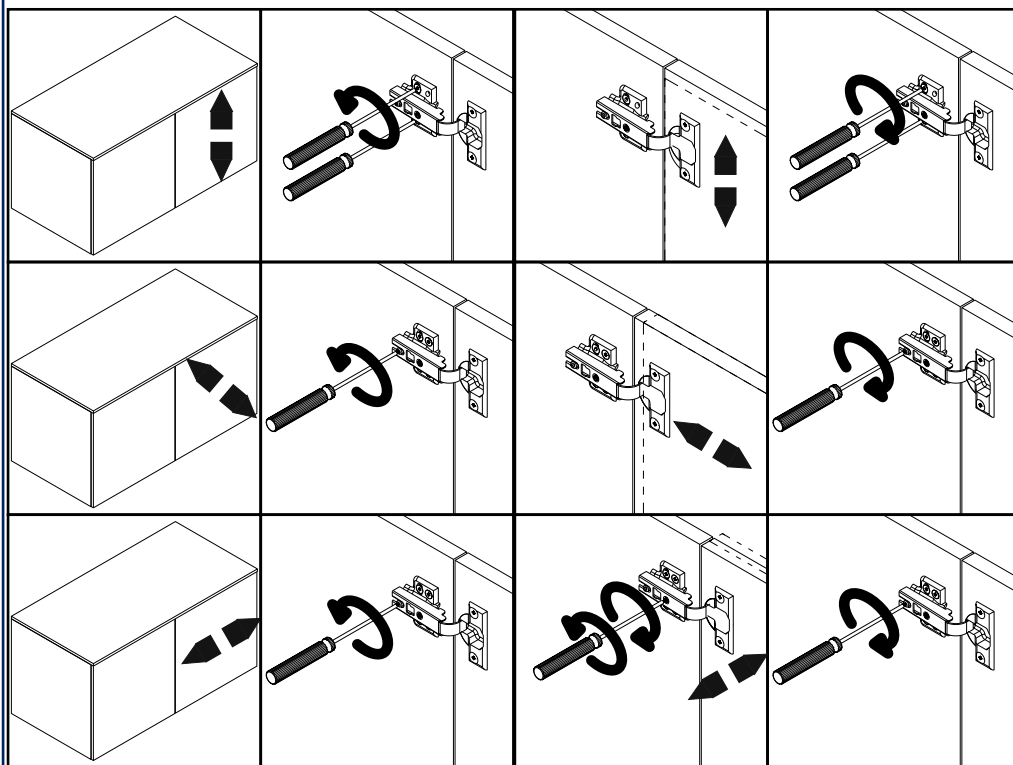
19

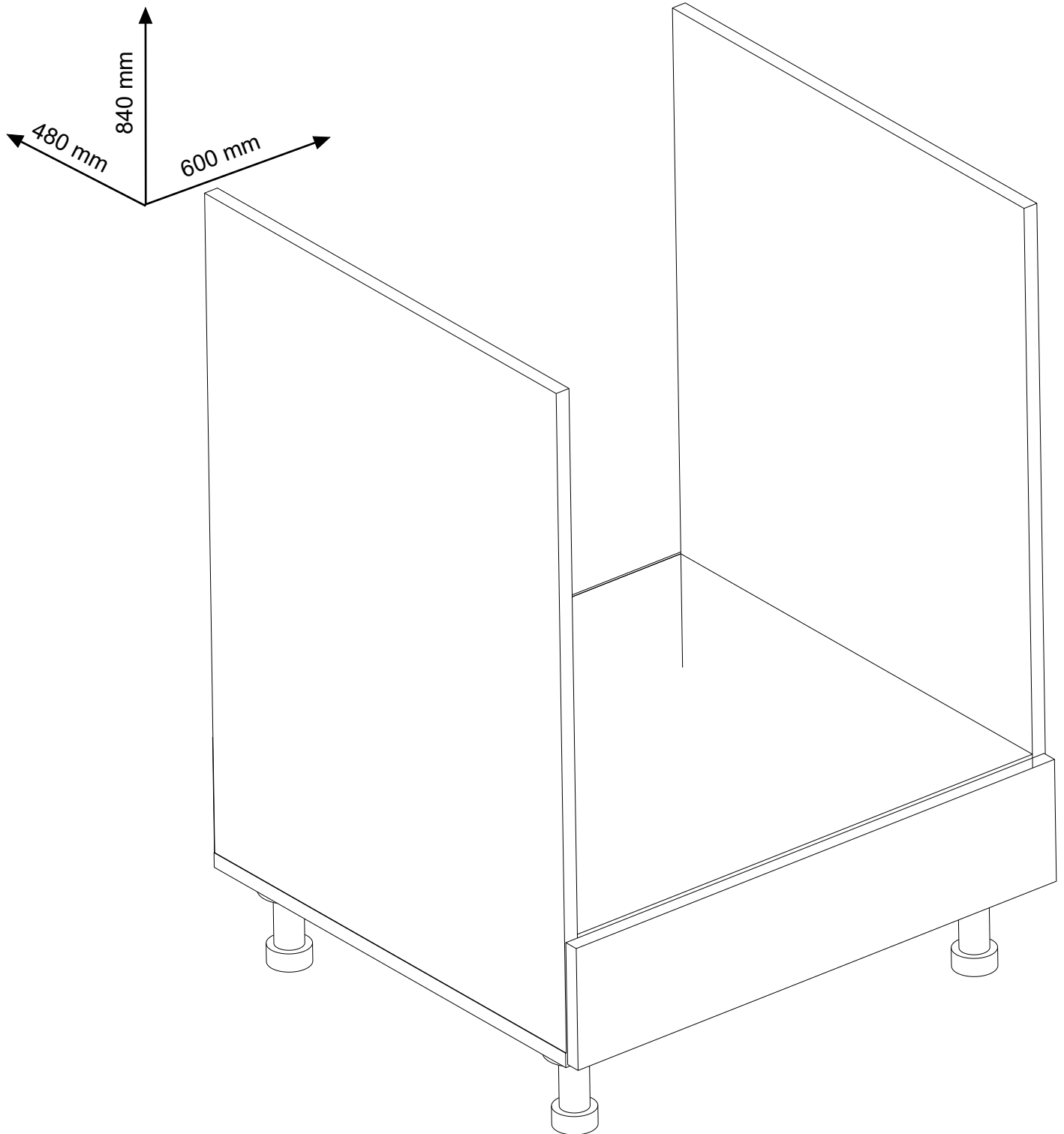


20



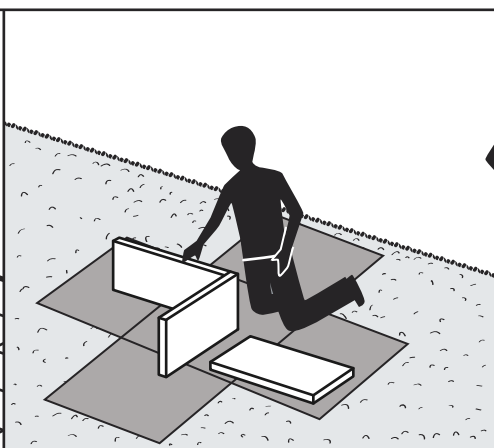
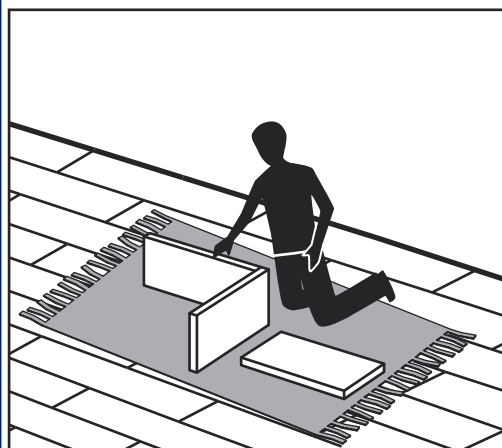
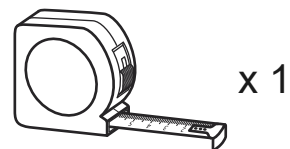
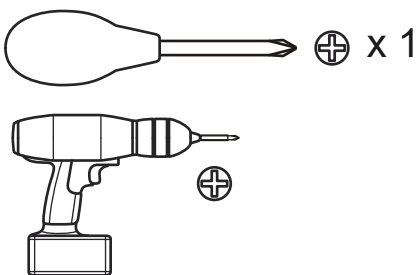
21



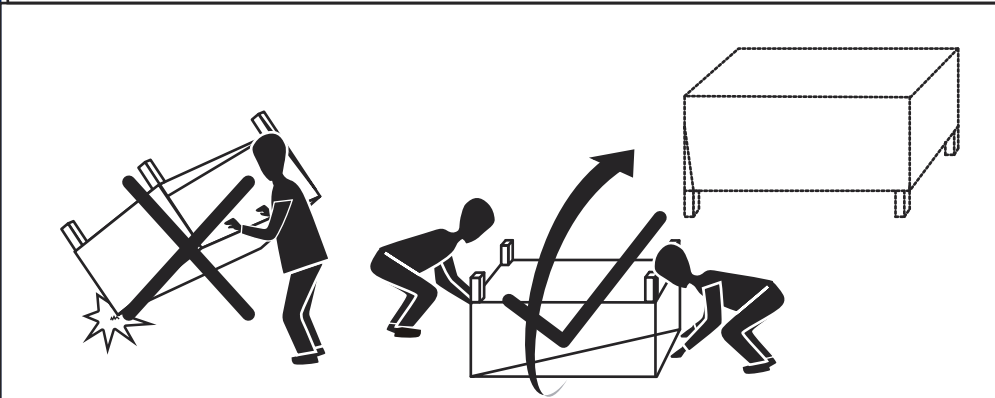
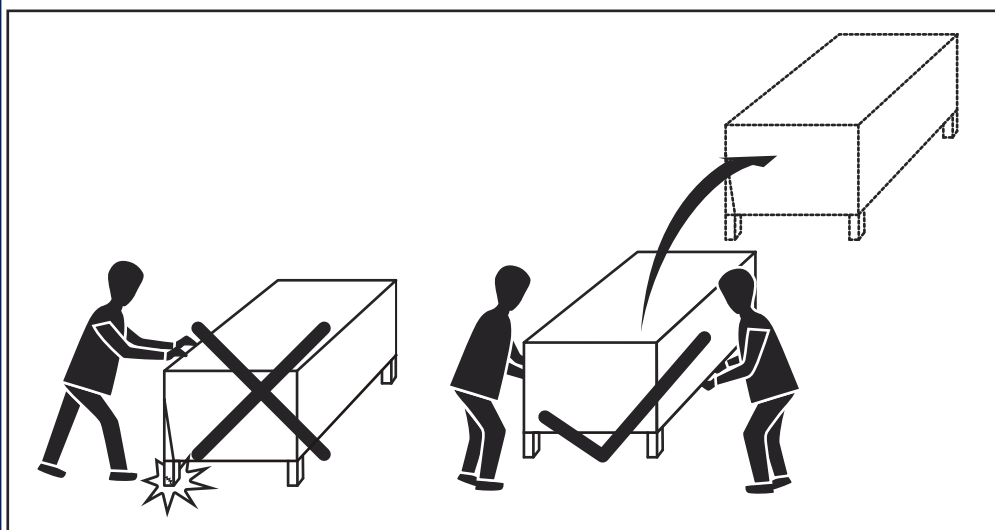
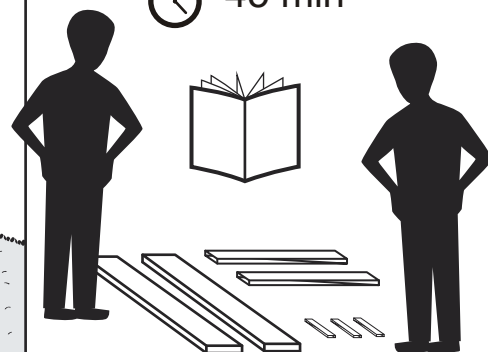


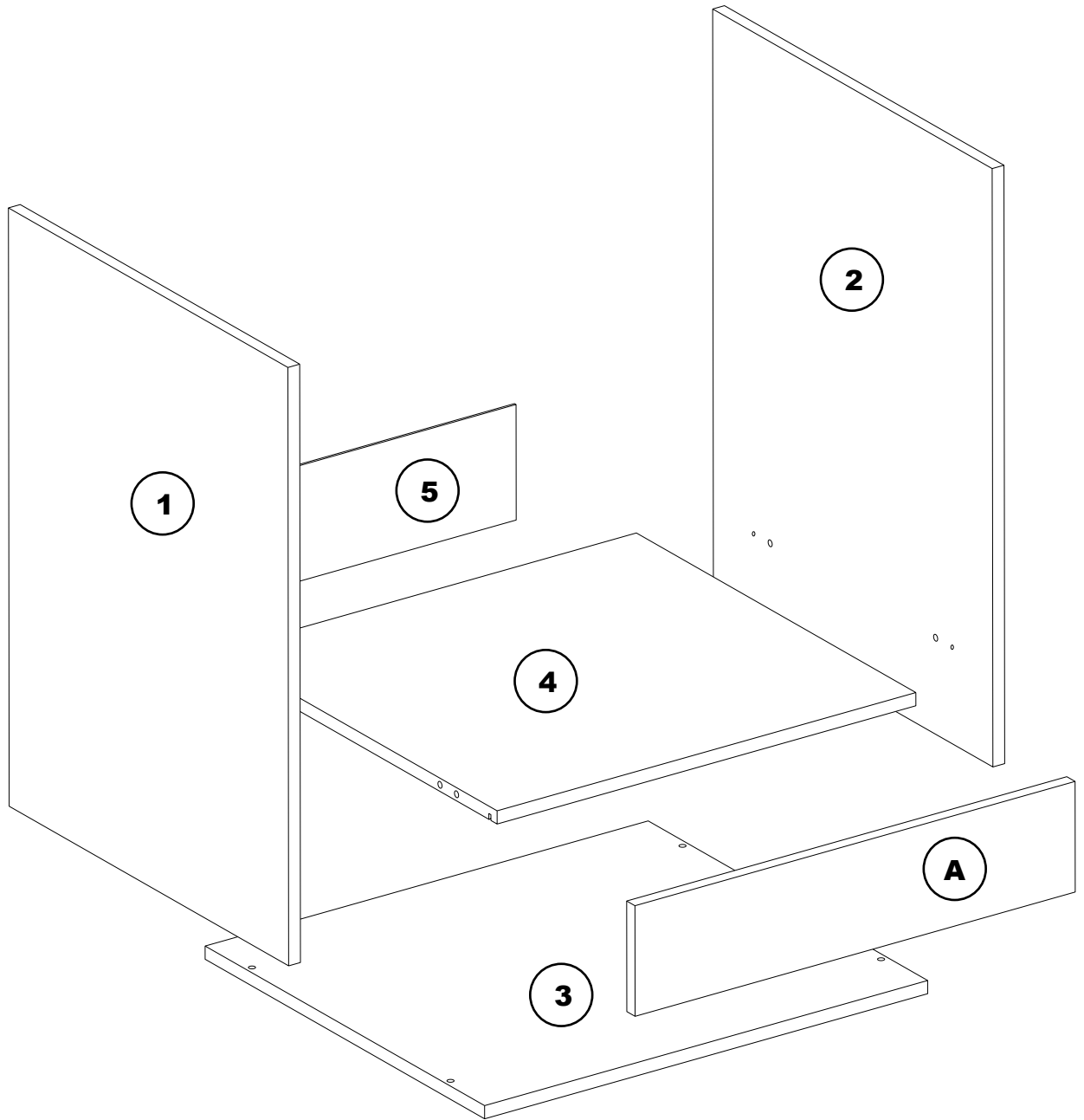
MATERIALE

Fronturi MDF/PAL
Carcasa Pal 16 mm
Spate HDF
Cant ABS 0.5 si 1 mm
Elemente de imbinare metalice si din lemn
Picioare plastic



🕒 45 min

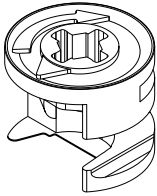
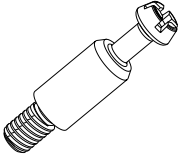
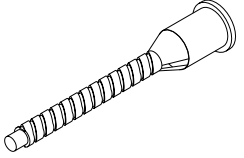
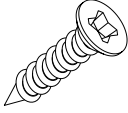
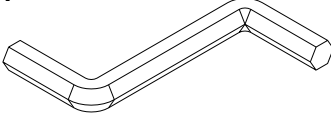
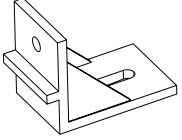
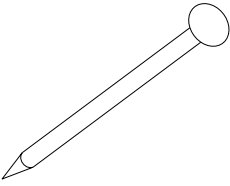
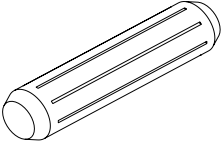
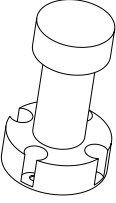




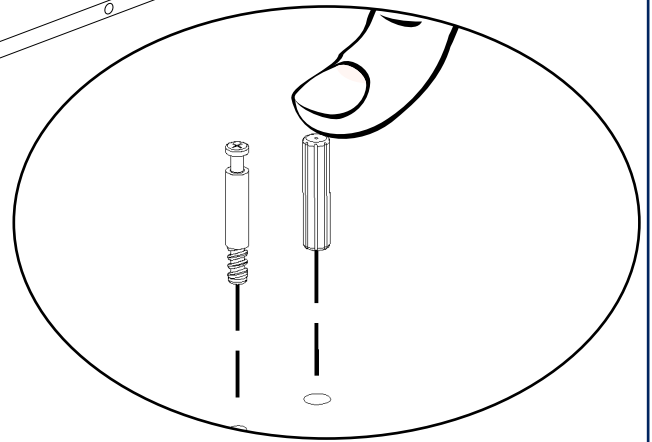
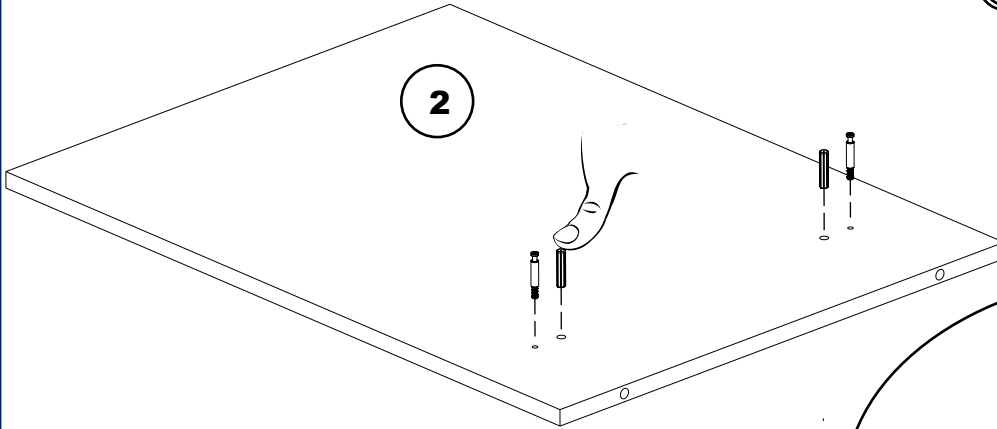
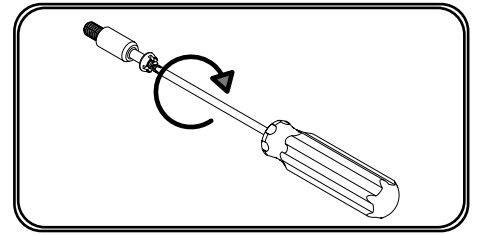
Nr	COD	BuC	Nr	COD	BuC	Nr	COD	BuC
1	0801	1	3	0803	1	5	0805	1
2	0802	1	4	0804	1	A	8052	1

Bucatarii

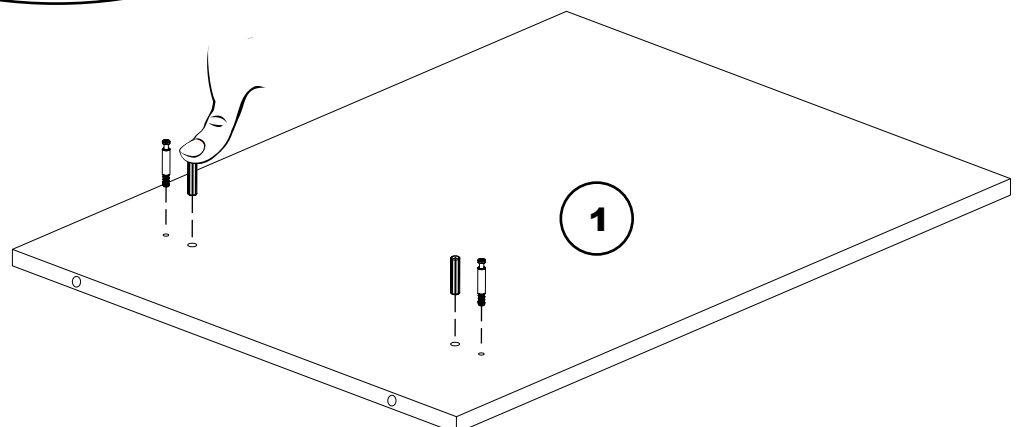
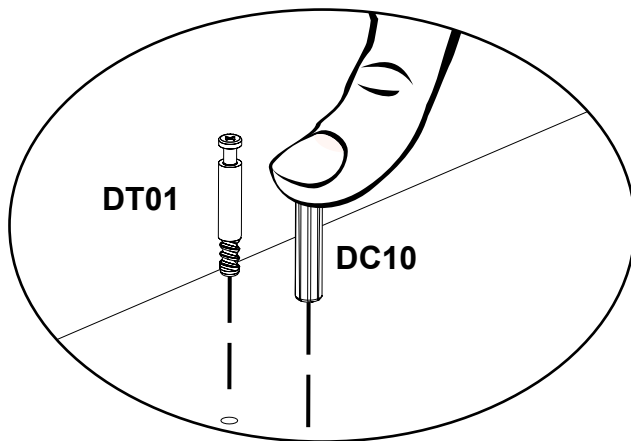
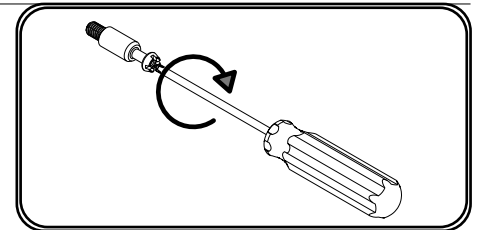
INFERIOR MASCA CUPTOR

DC01 x4		DT01 X4		SE50 x4	
SI11 x20		HH04 x1		CL15 x2	
CT01 ≈ 16		DC10 x4		PB01 x4	

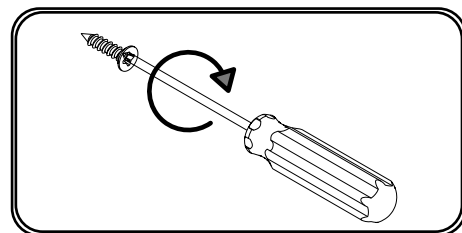
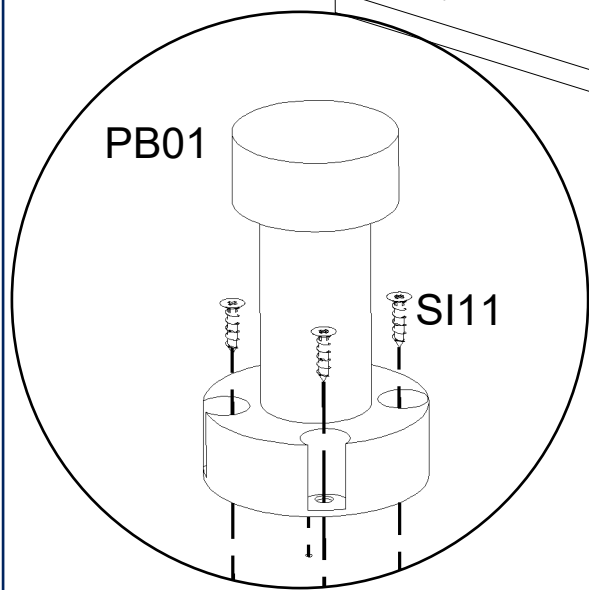
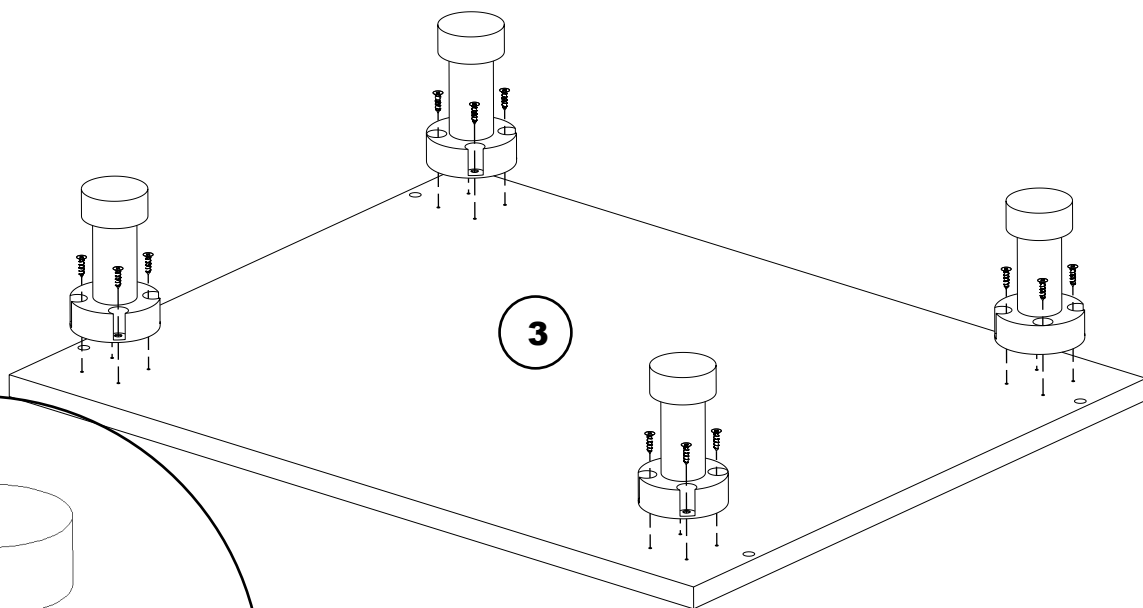
1



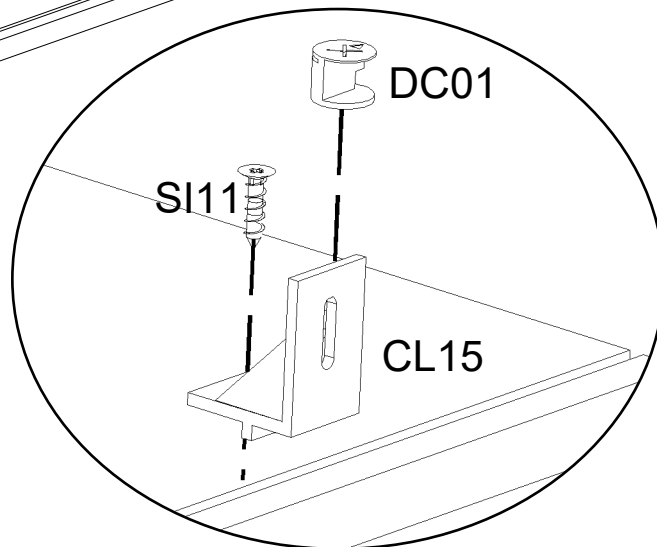
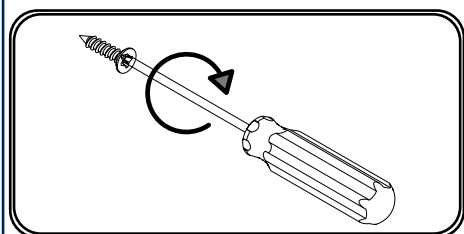
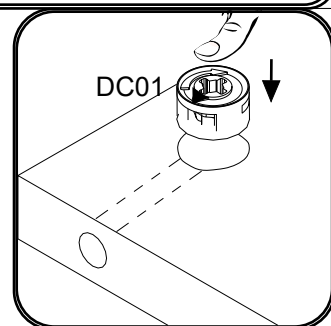
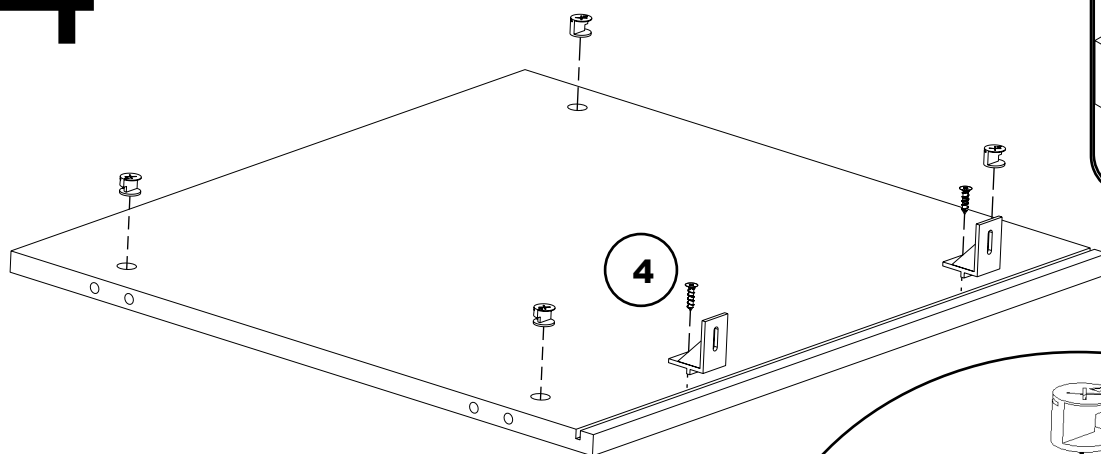
2



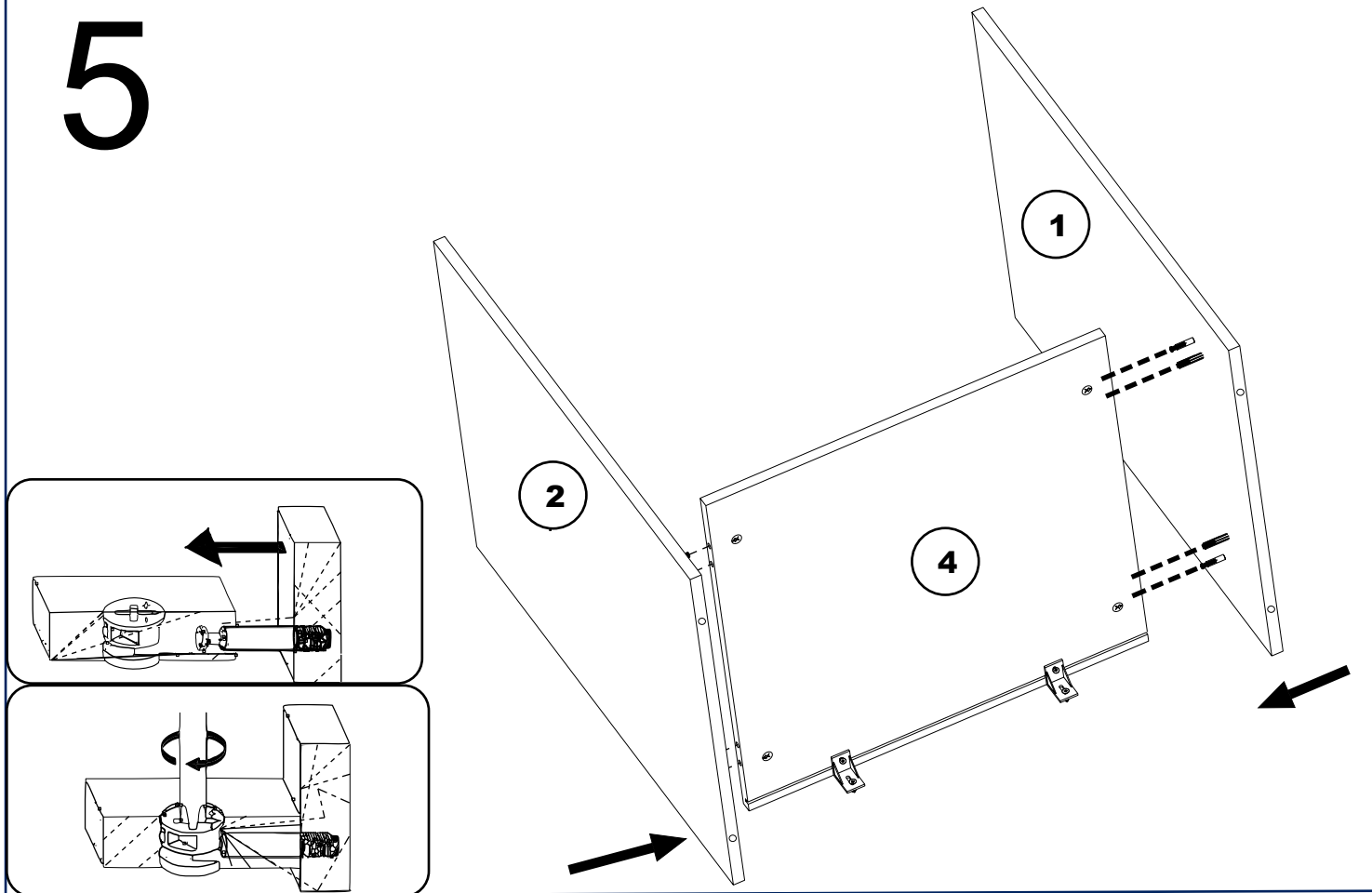
3



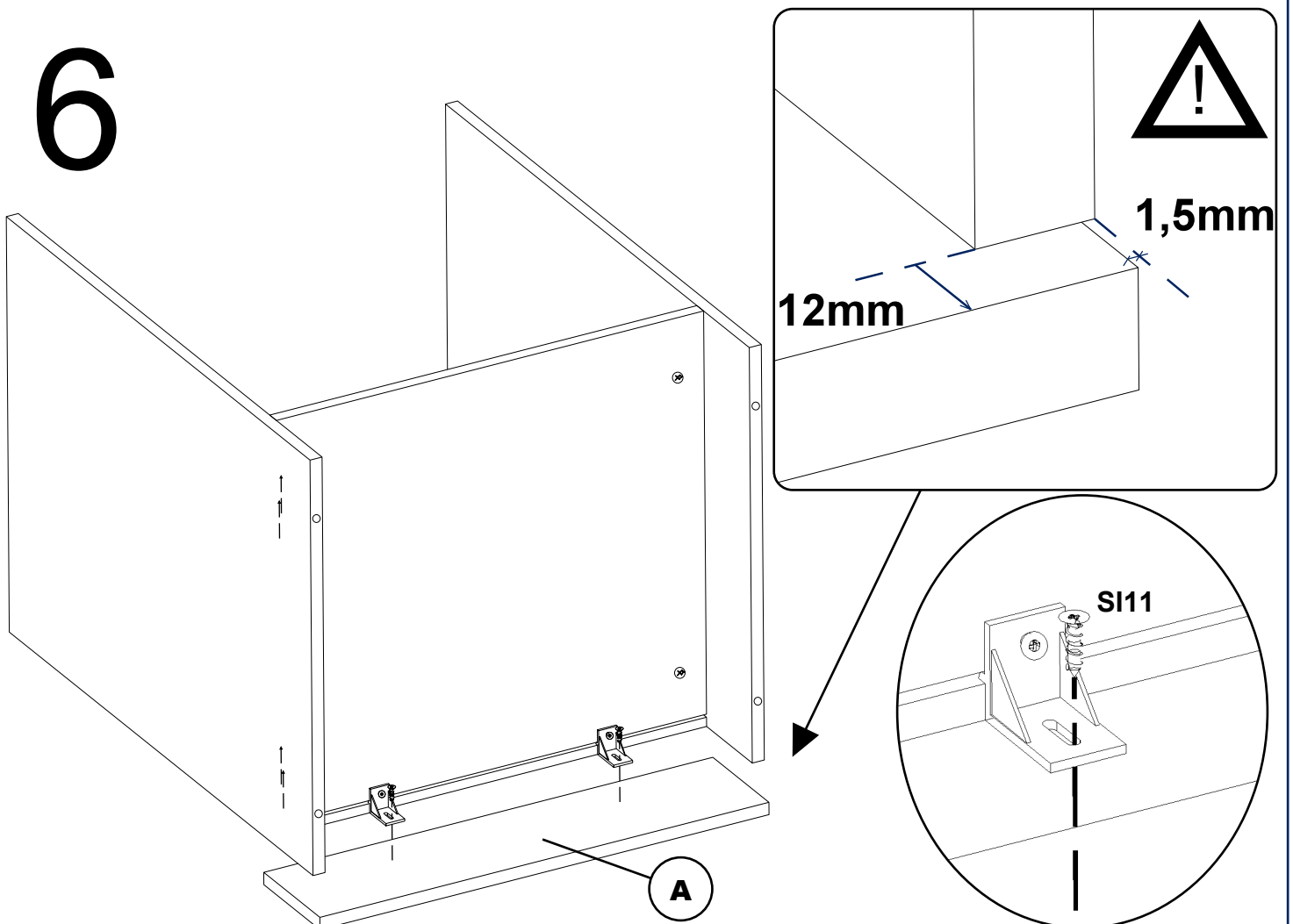
4



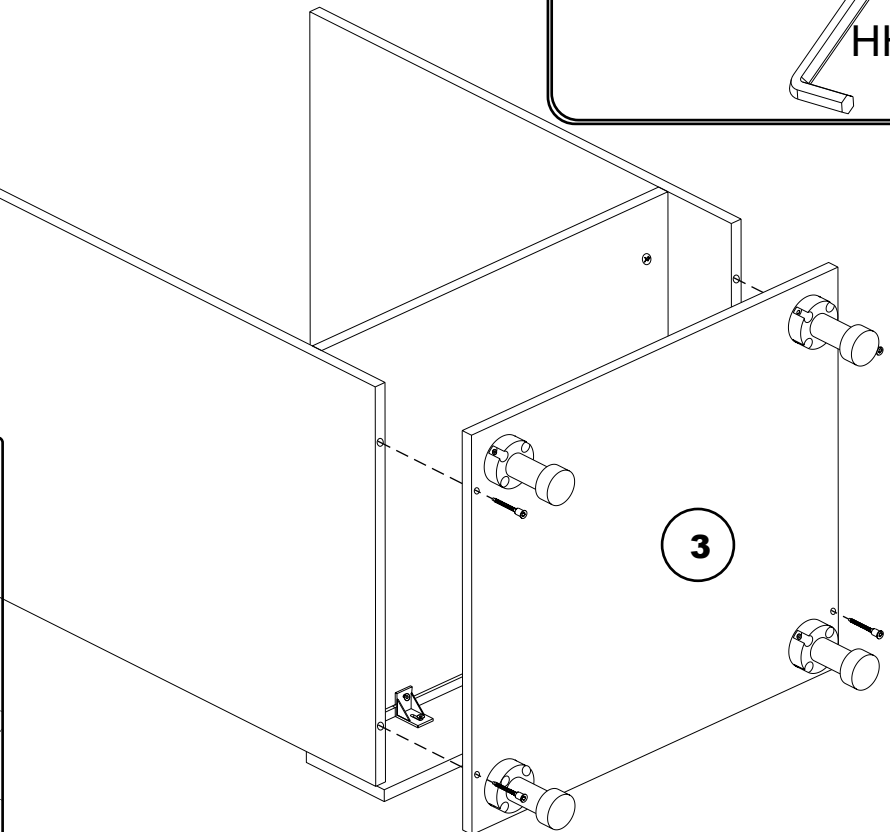
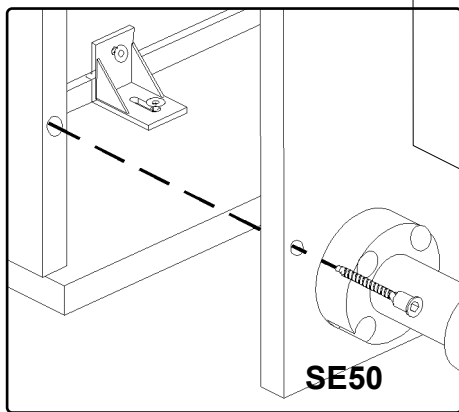
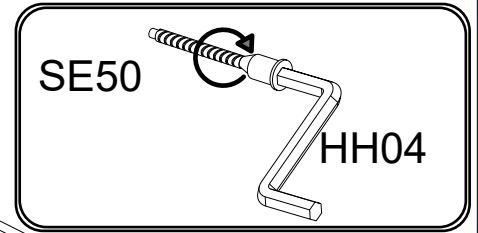
5



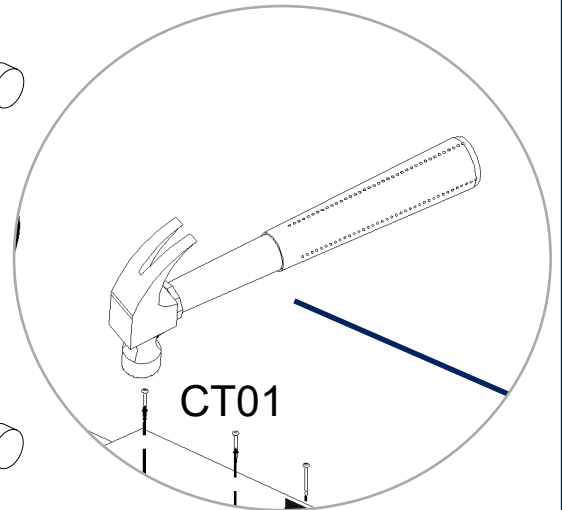
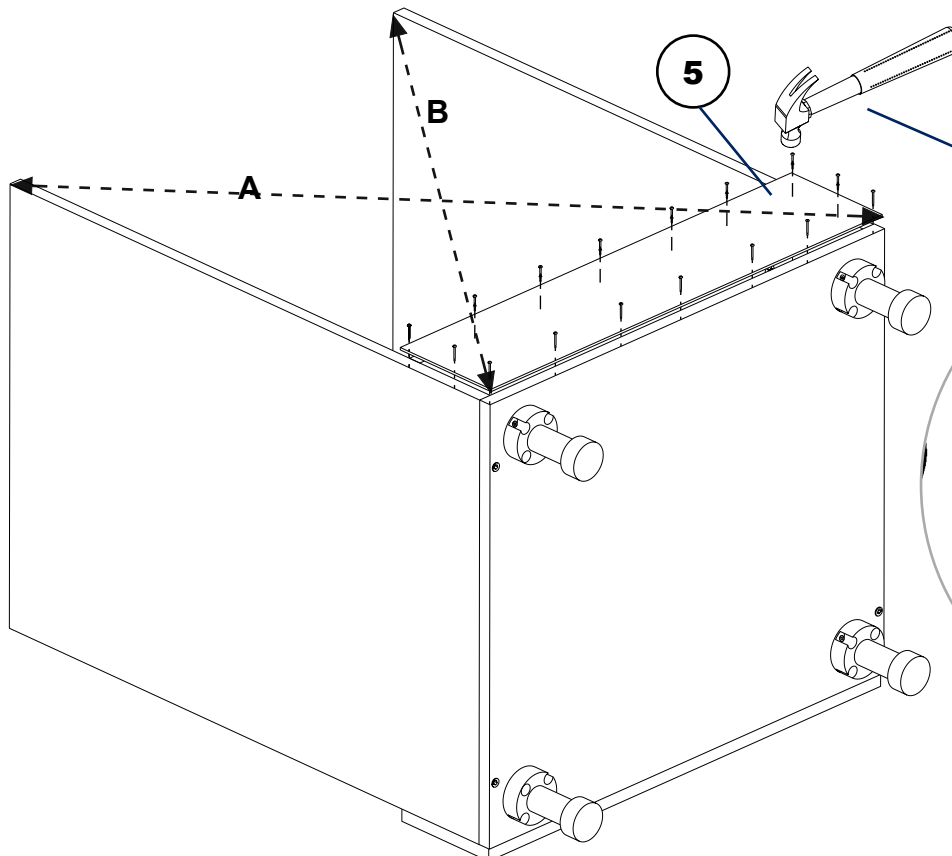
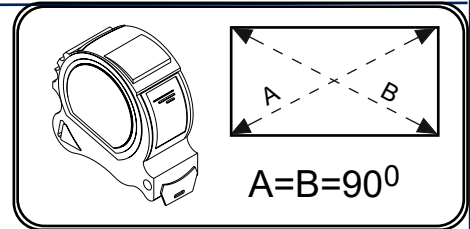
6

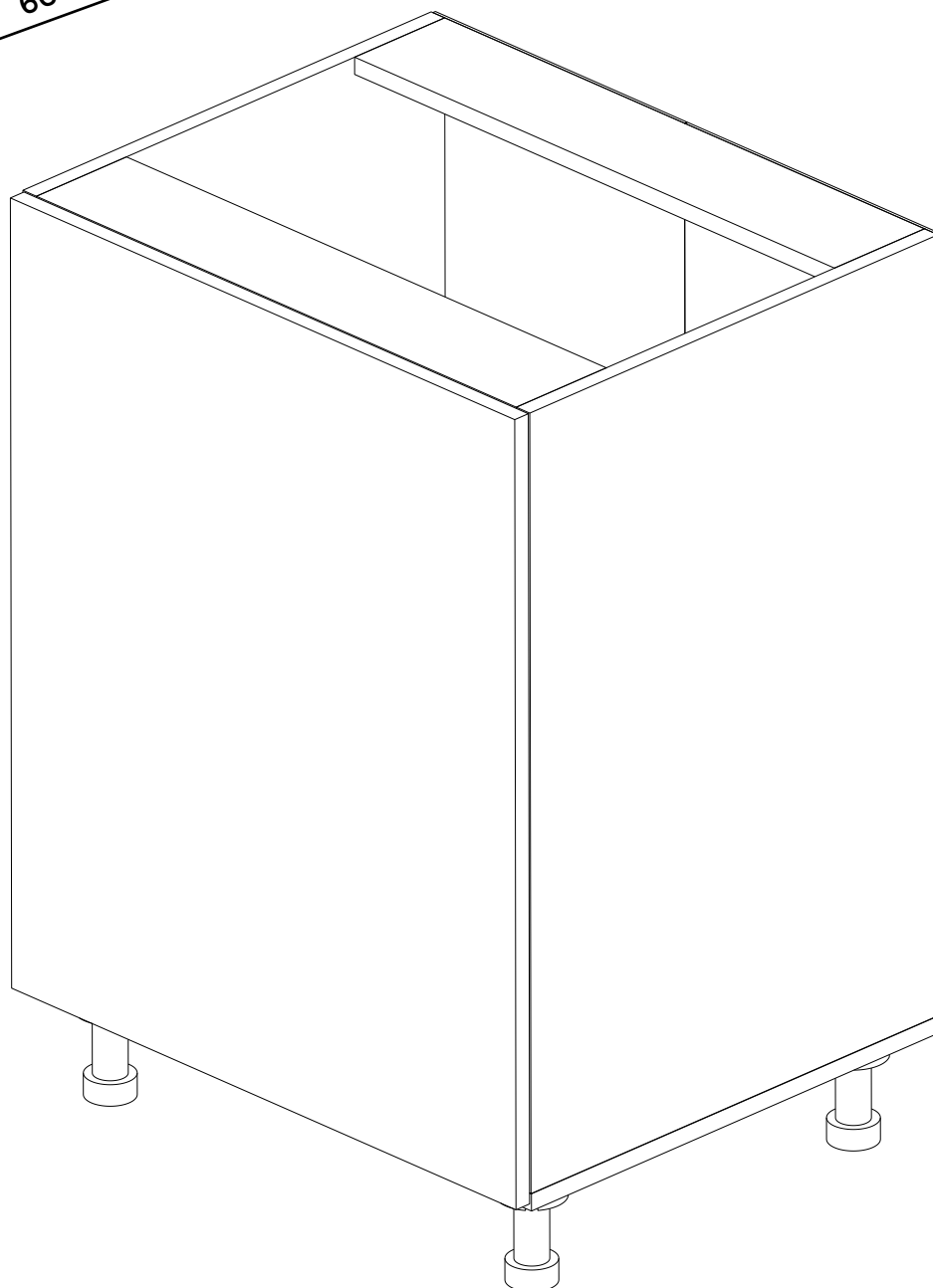
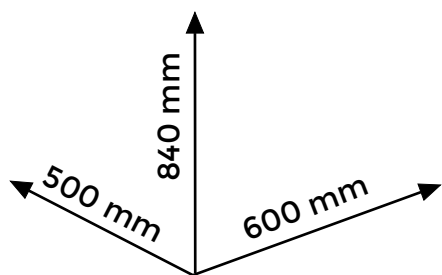


7



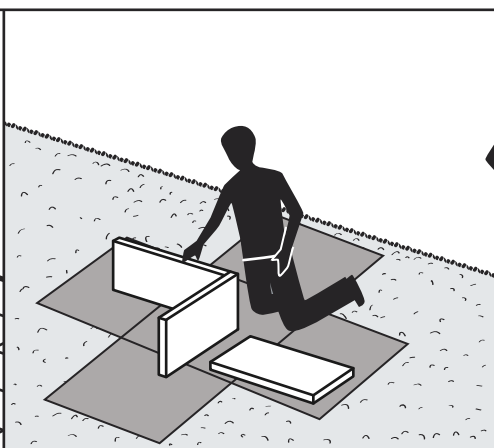
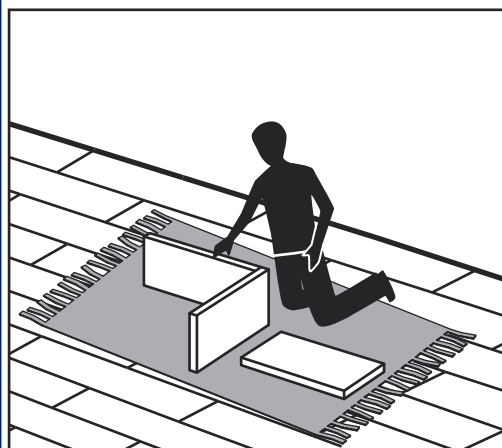
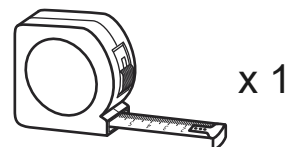
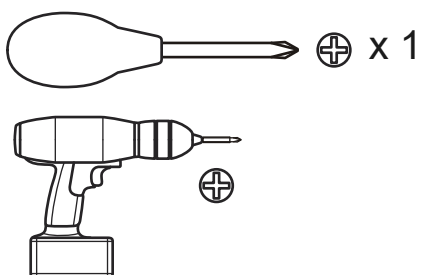
8



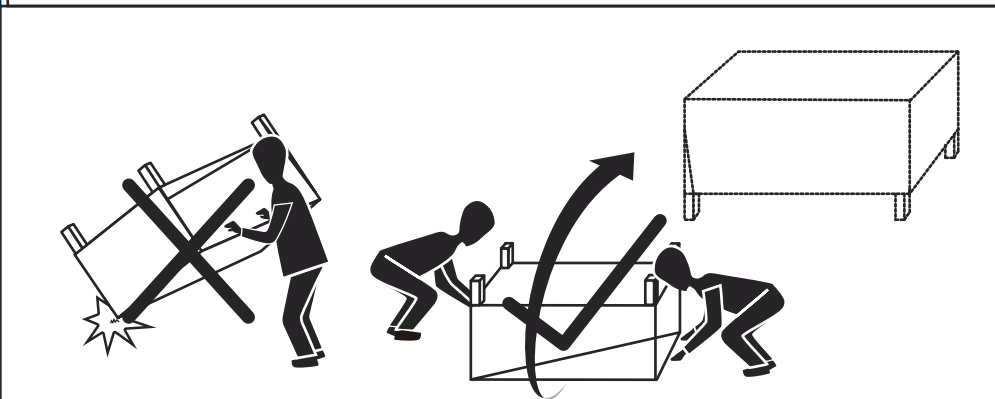
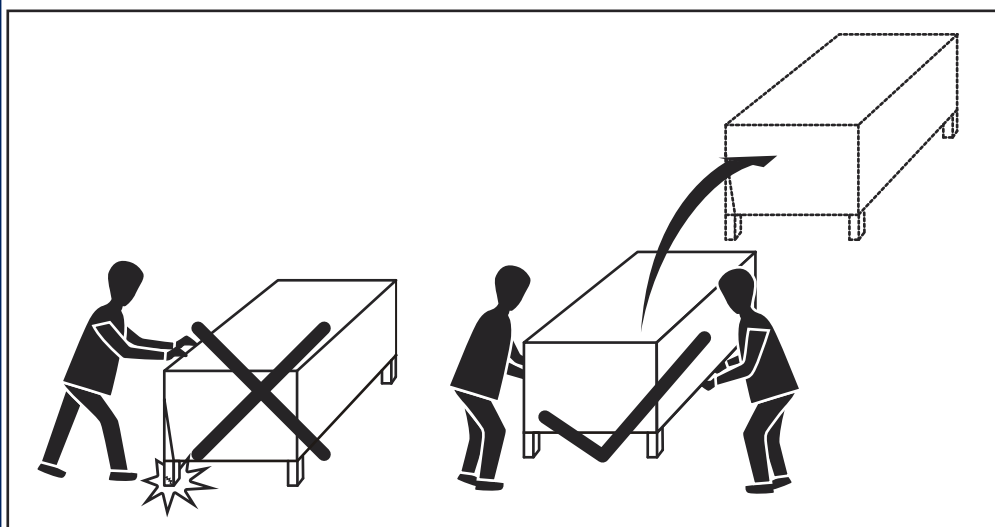
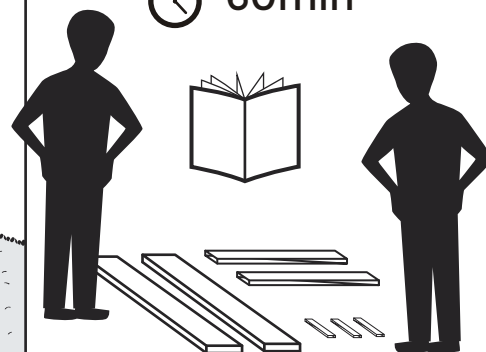


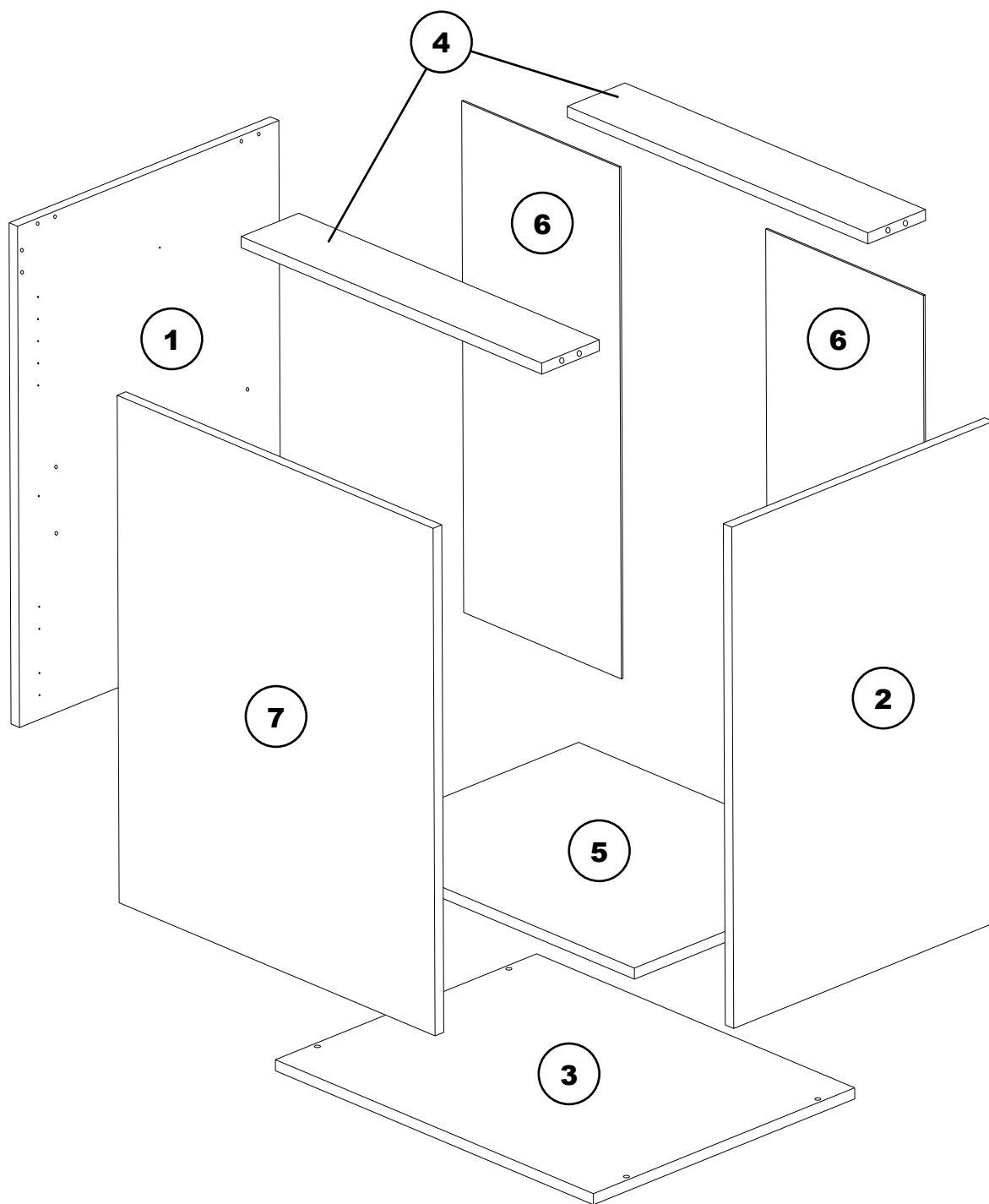
MATERIALE

Fronturi MDF
Carcasa Pal 16 mm
Spate HDF
Cant ABS 0.5 si 1 mm
Elemente de imbinare metalice si din lemn
Manere plastic
Picioare plastic
Balamale cu amortizare

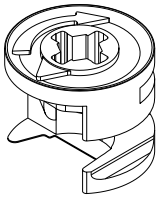
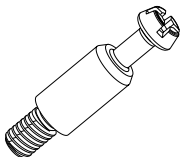
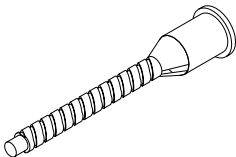
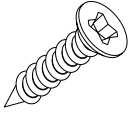
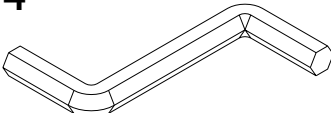
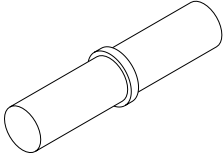
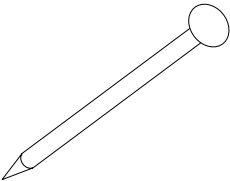
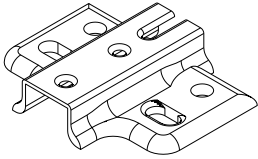
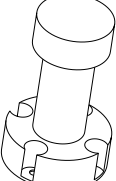
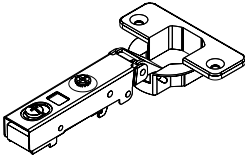
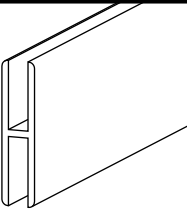


🕒 60min

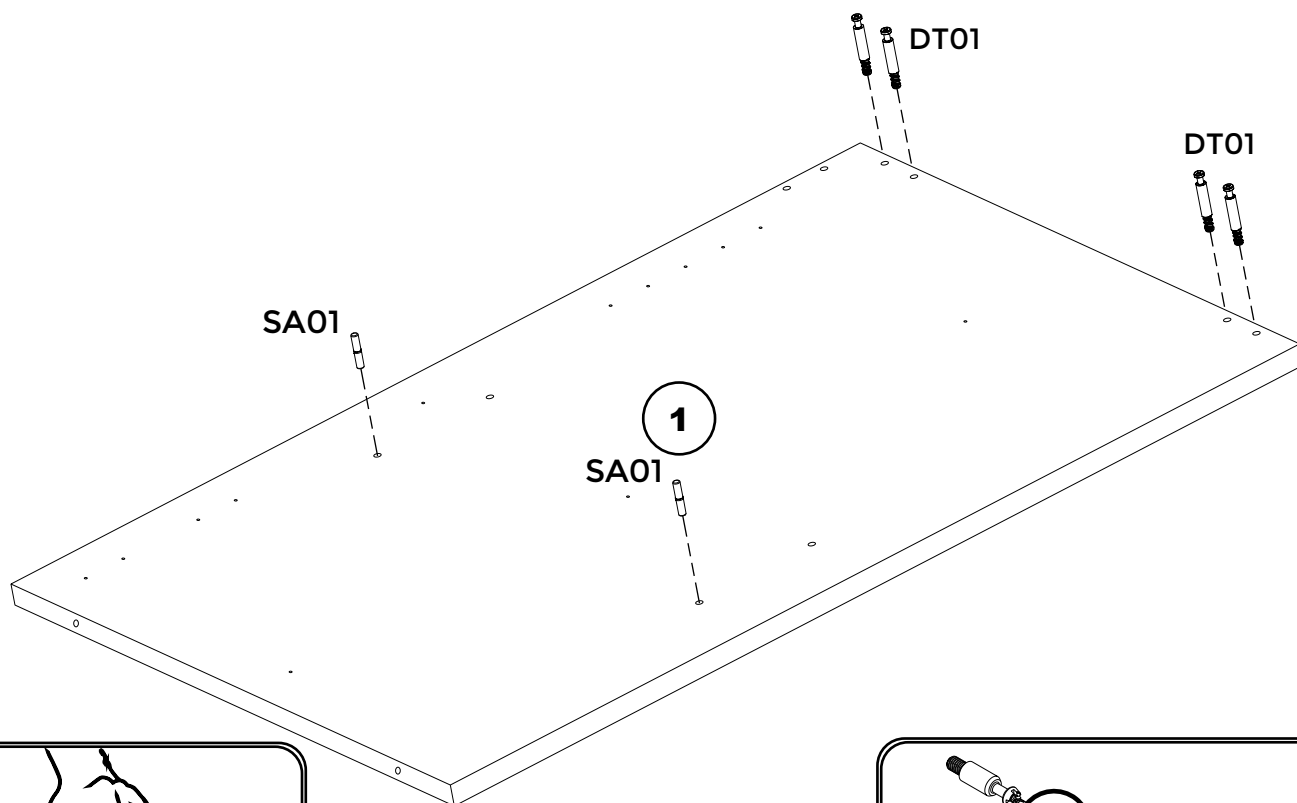




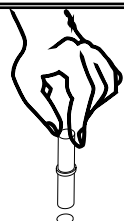
Nr	COD	BuC
1	0101	1
2	0102	1
3	0501	1
4	0502	2
5	0503	1
6	0504	2
7	5052	1

<p>DC01</p>  <p>x8</p>	<p>DT01</p>  <p>x8</p>	<p>SE50</p>  <p>x4</p>
<p>SI11</p>  <p>x28</p>	<p>HH04</p>  <p>x1</p>	<p>SA01</p>  <p>x4</p>
<p>CT01</p>  <p>≈ 25</p>	<p>BP04</p>  <p>x2</p>	<p>PB01</p>  <p>x4</p>
<p>BA01</p>  <p>x2</p>		<p>PH01</p>  <p>x1</p>

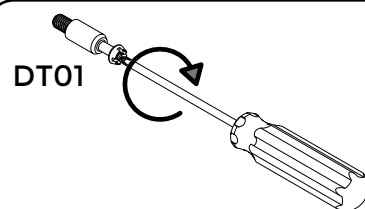
1



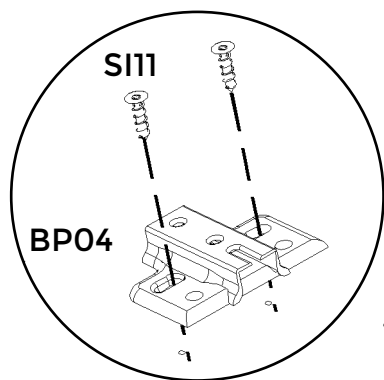
SA01



DT01



2



BP04

SI11

SA01

2

SA01

SI11

BP04

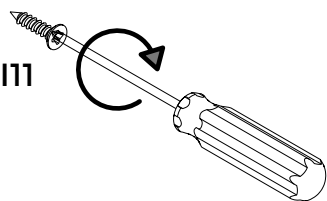
DT01

DT01

SI11

BP04

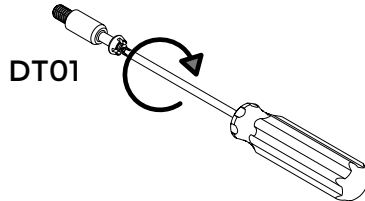
SI11



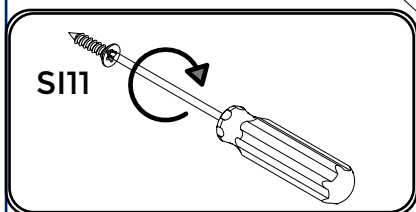
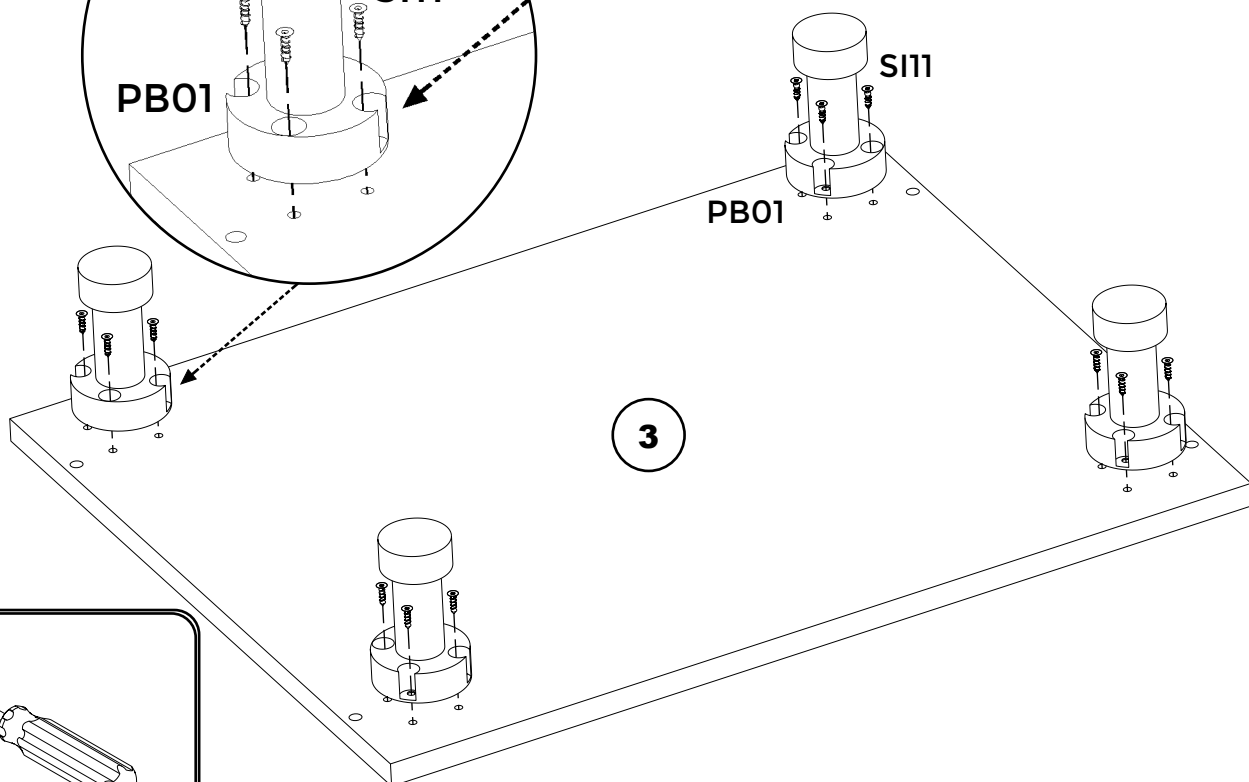
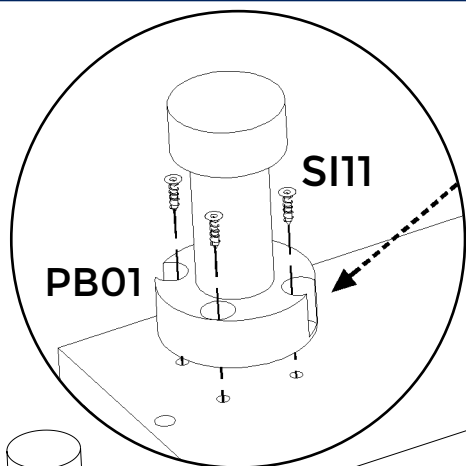
SA01



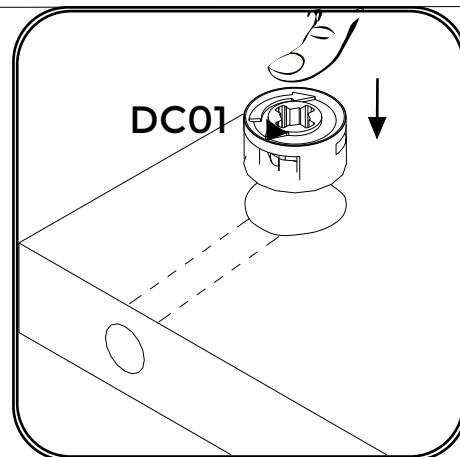
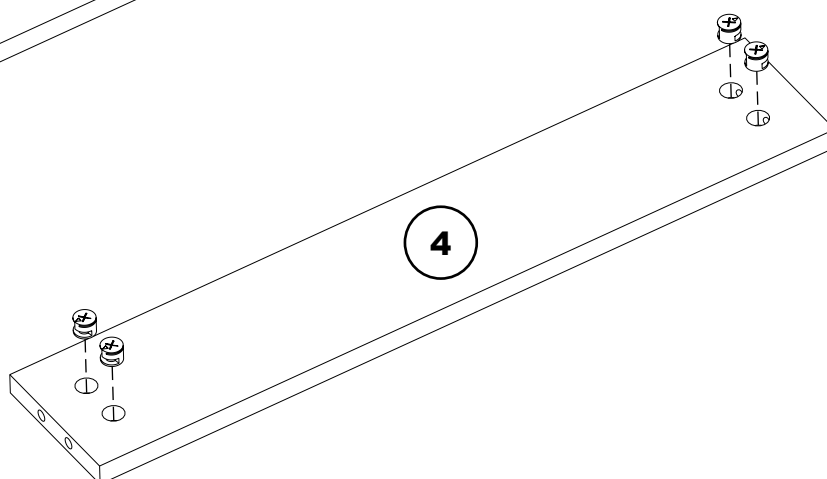
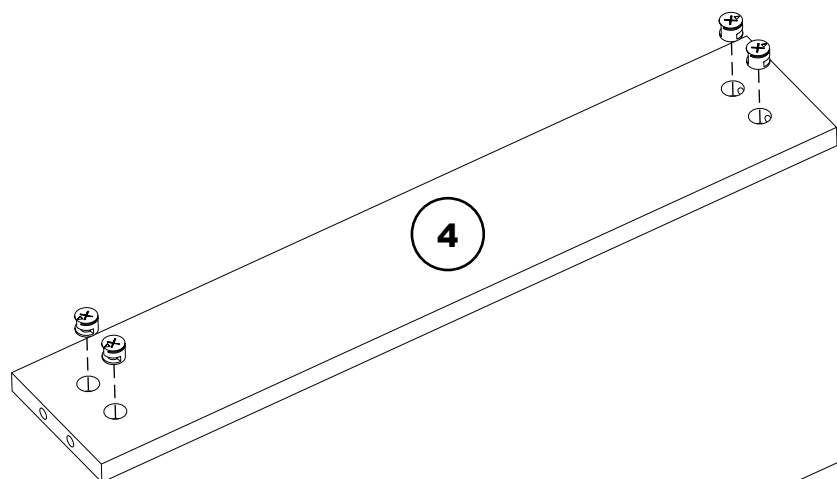
DT01



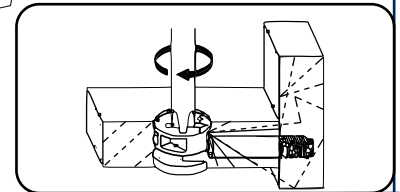
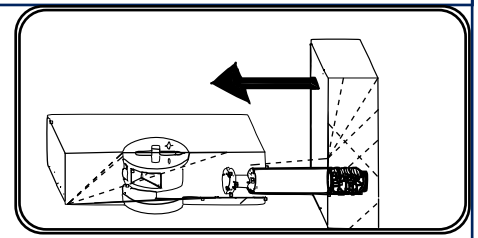
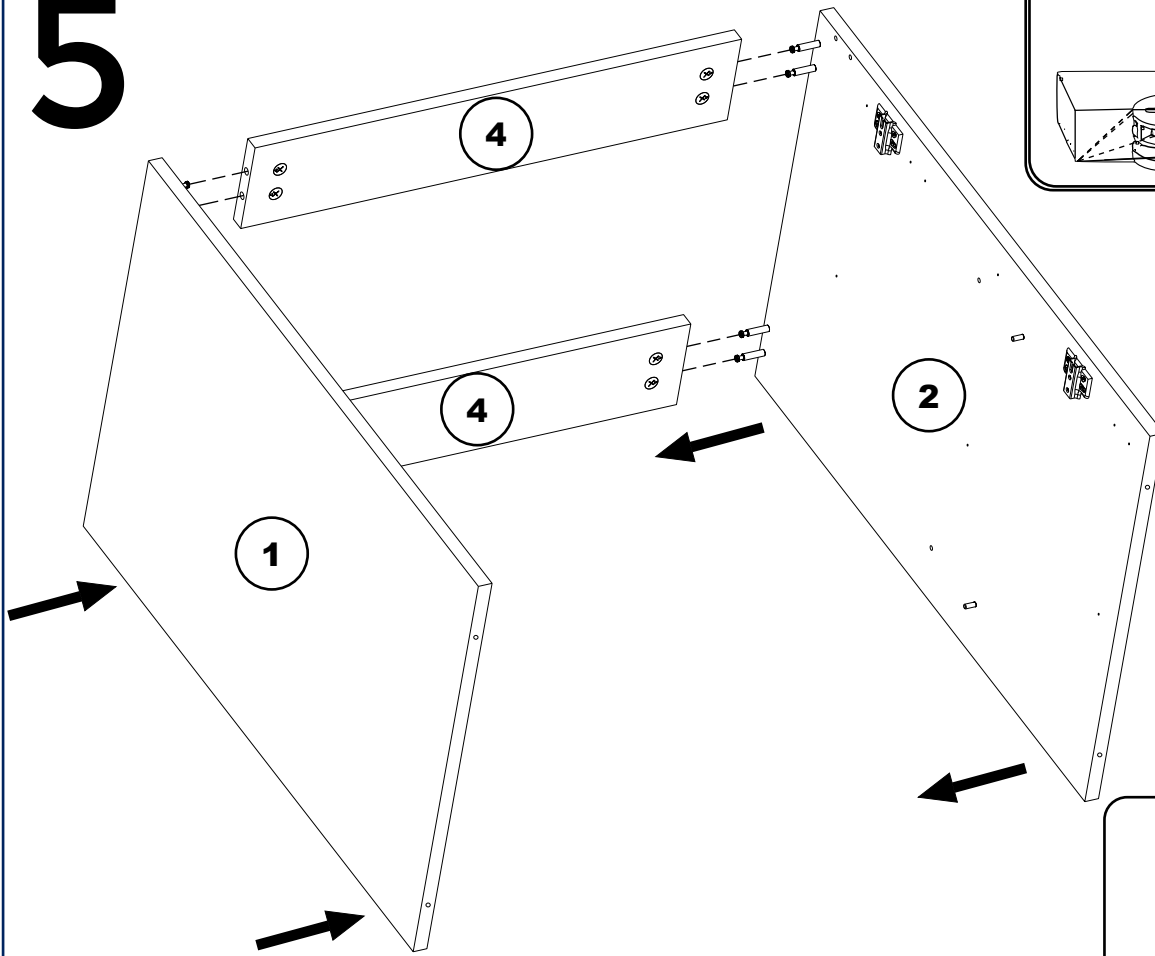
3



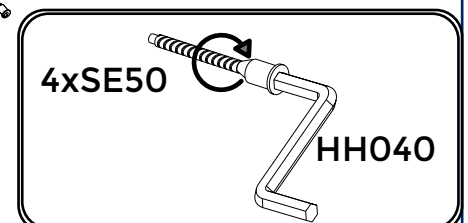
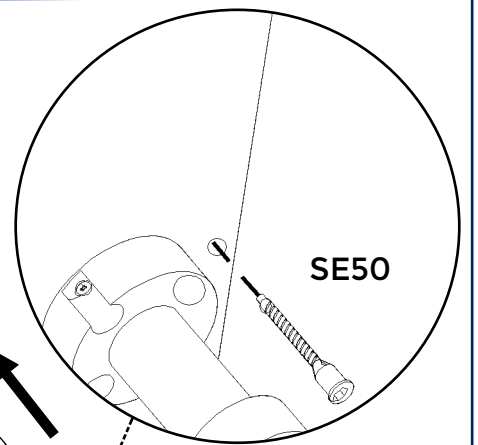
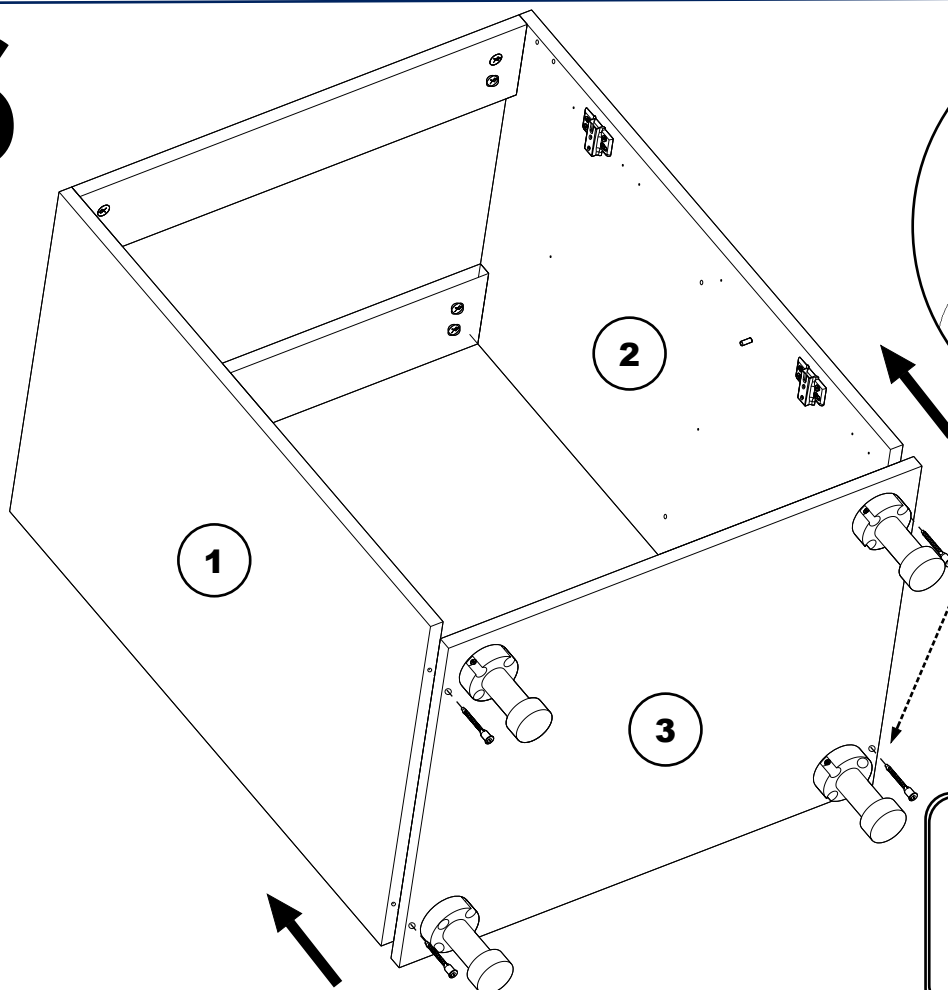
4



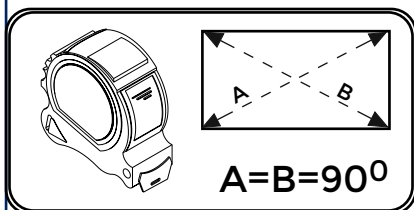
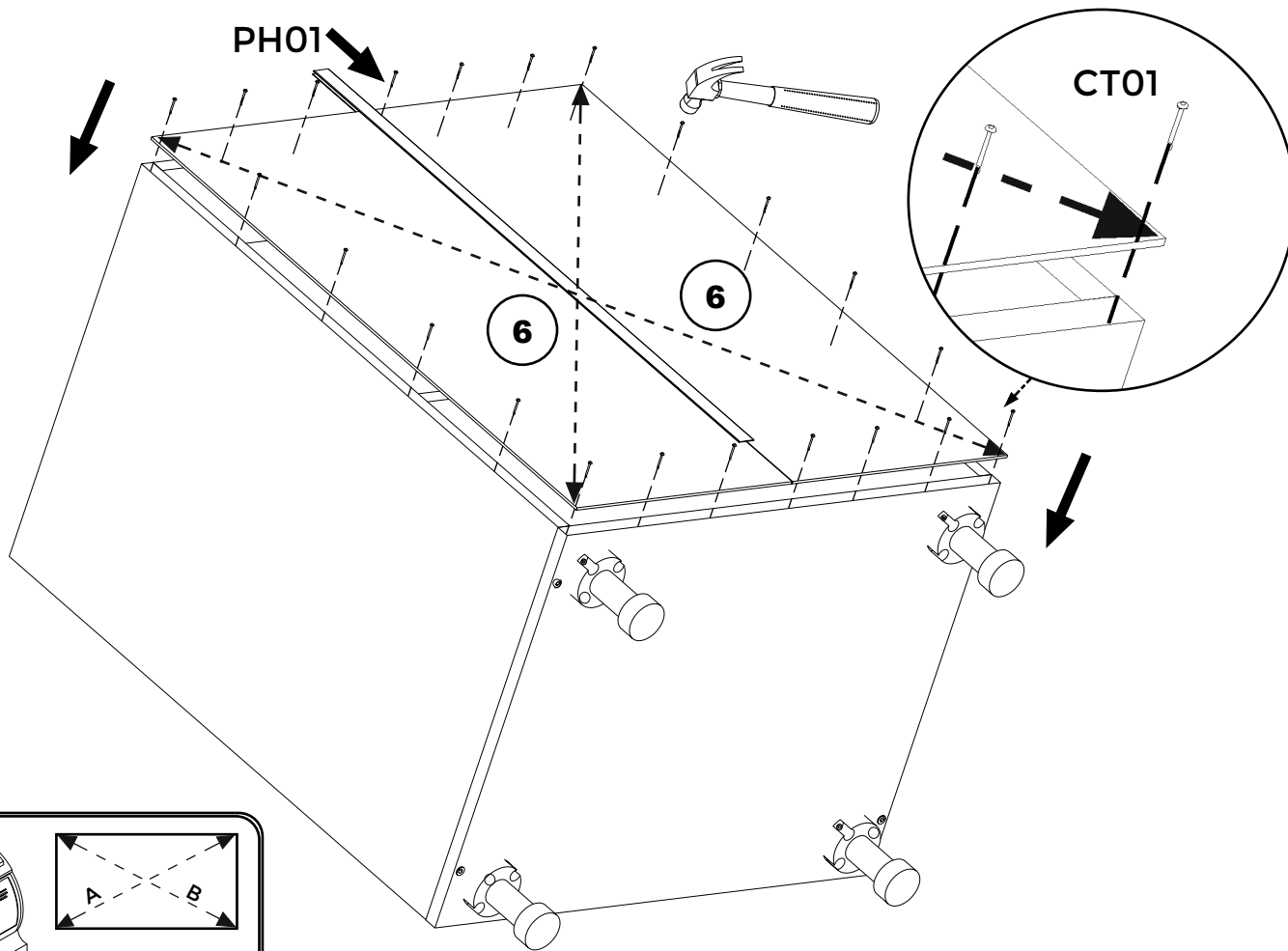
5



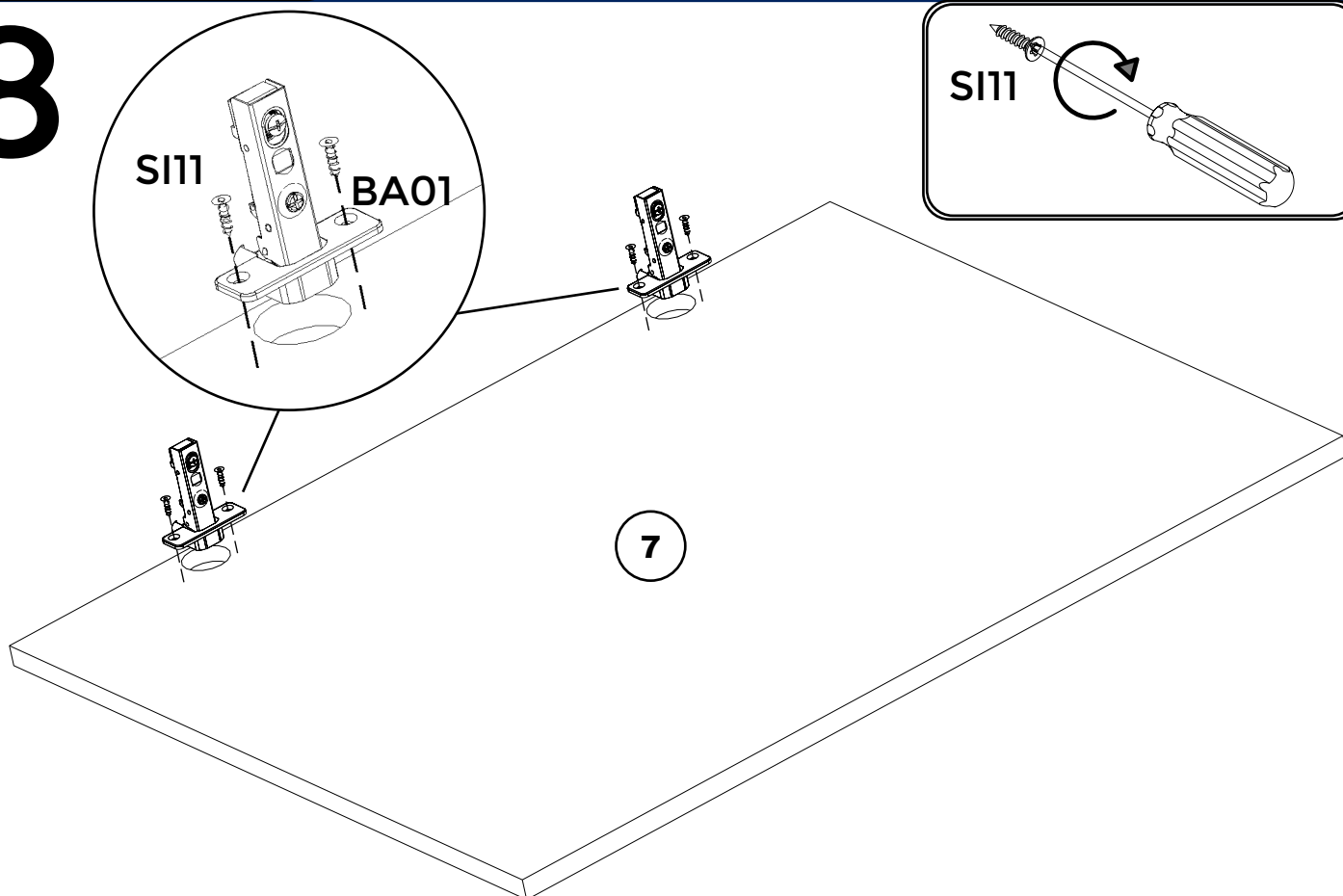
6



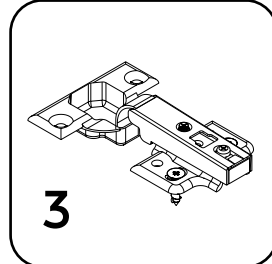
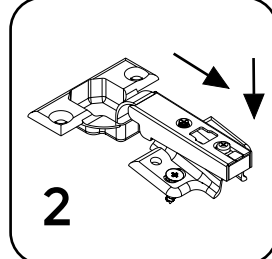
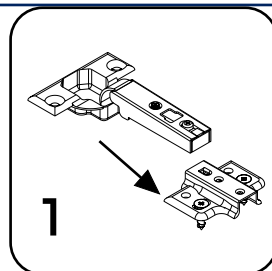
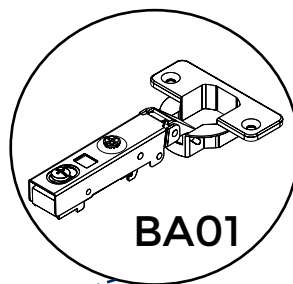
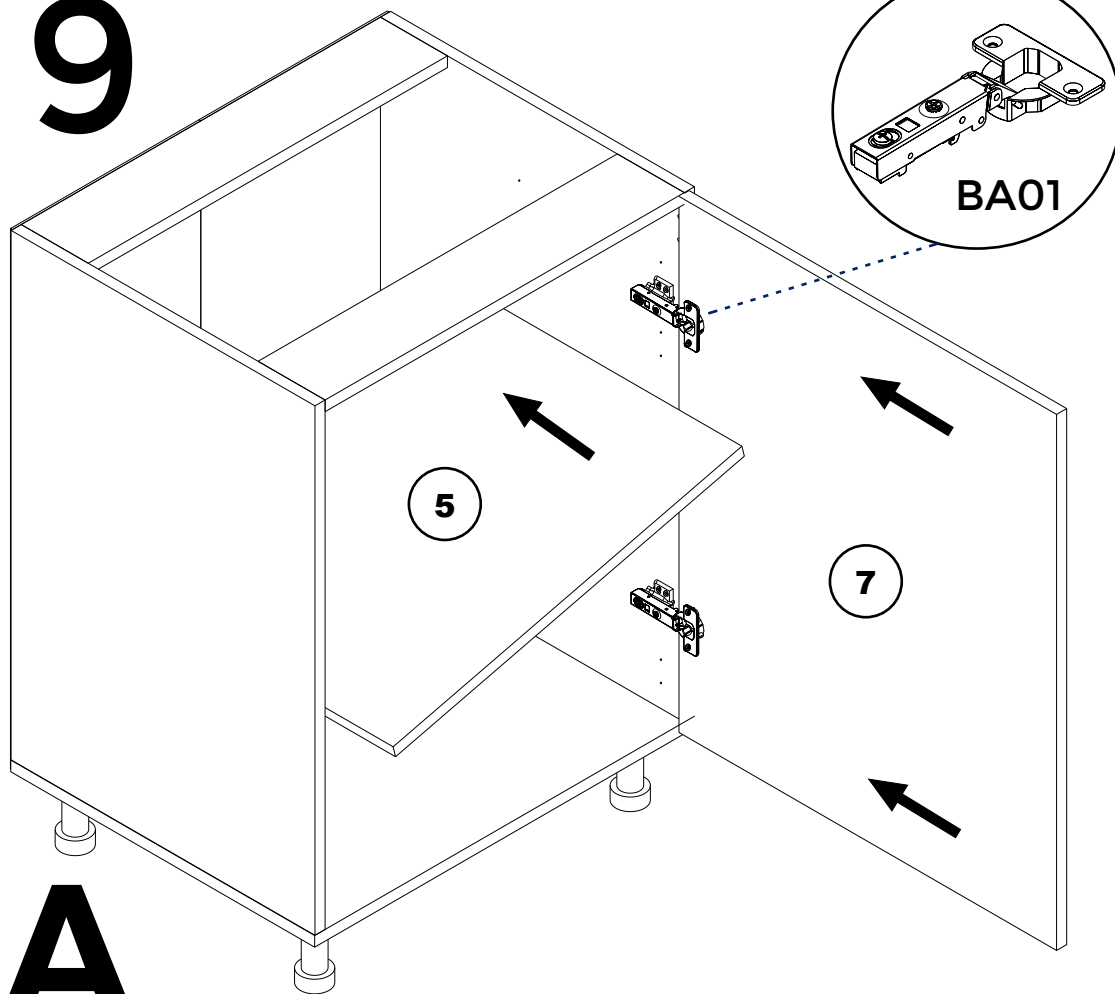
7



8

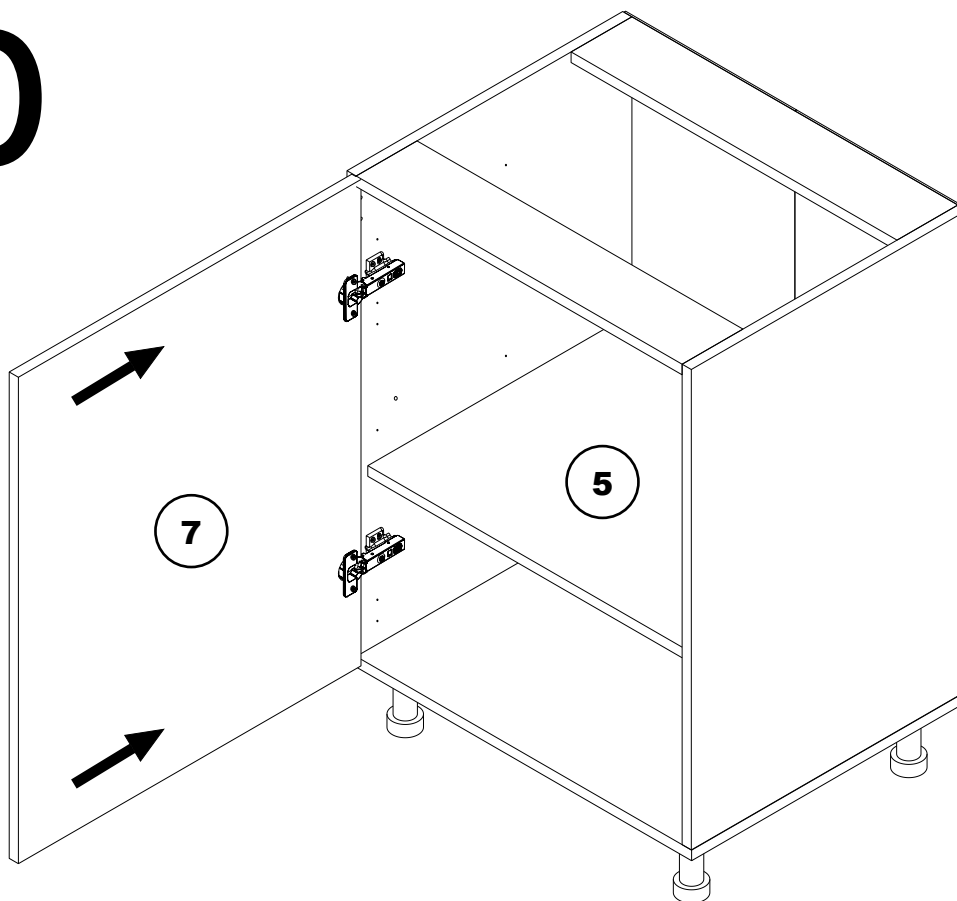


9



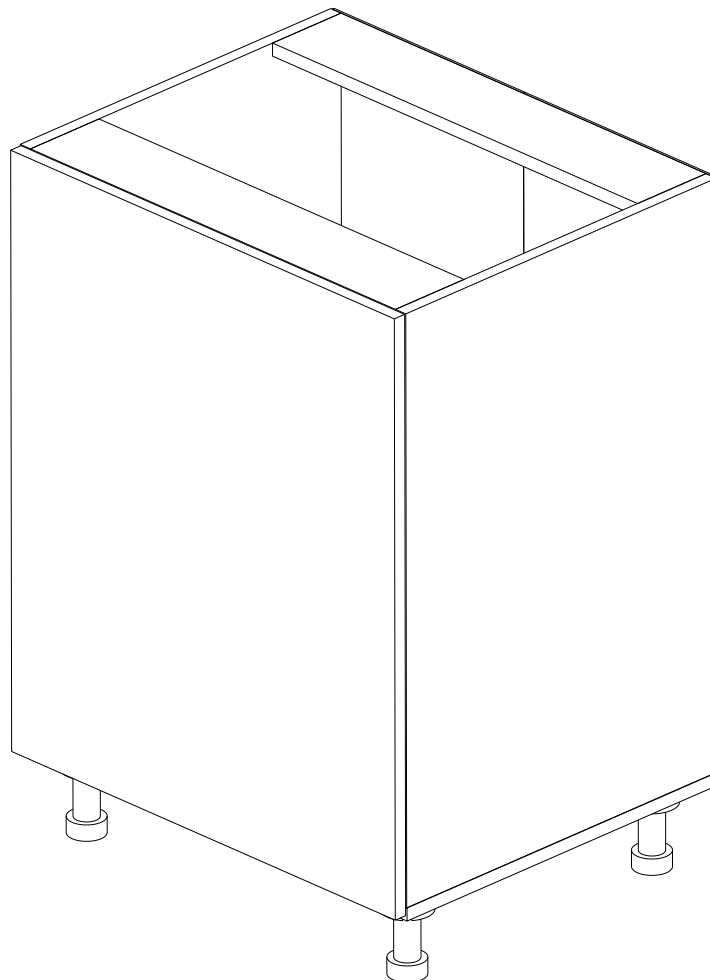
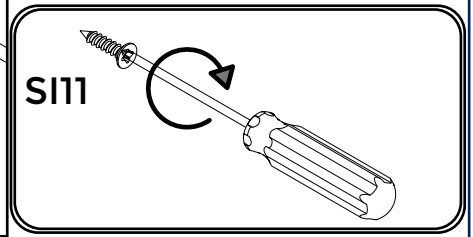
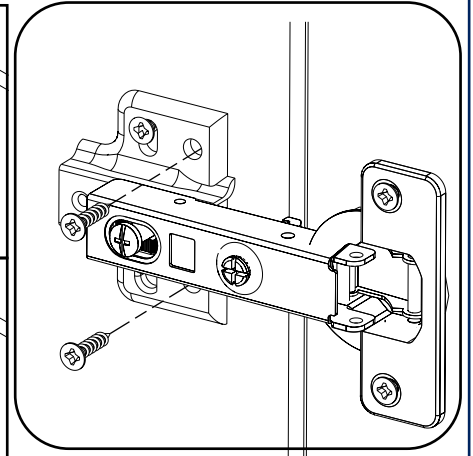
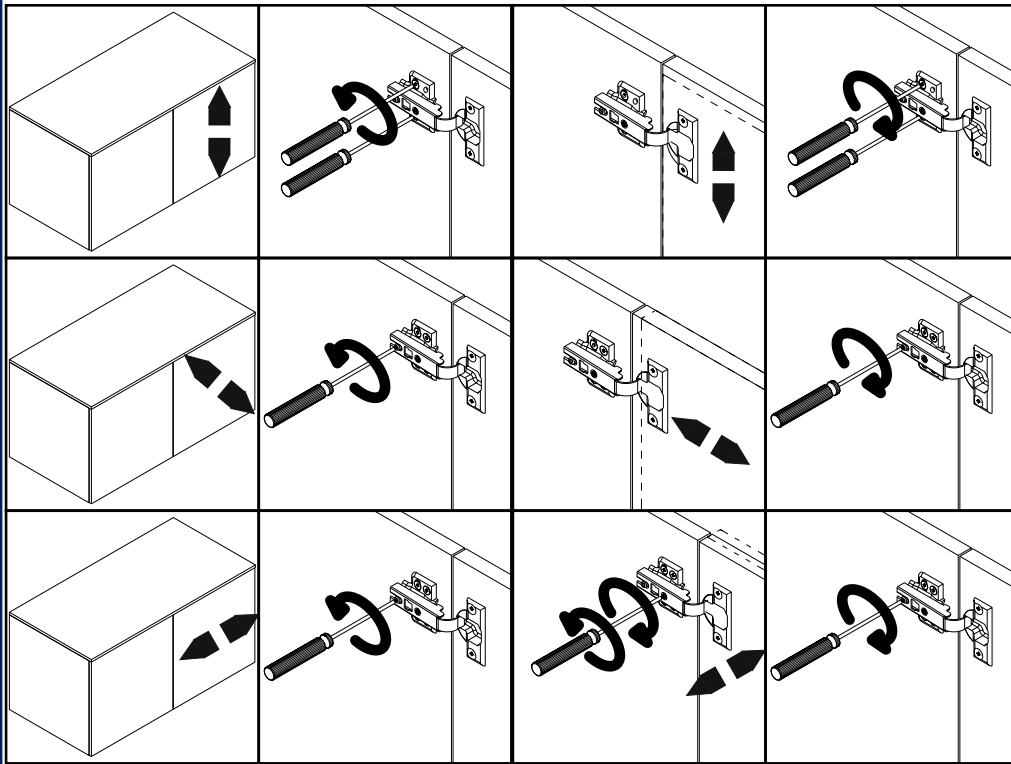
A

10



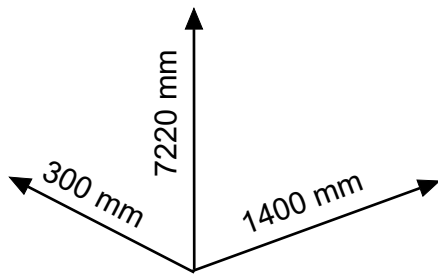
B

11

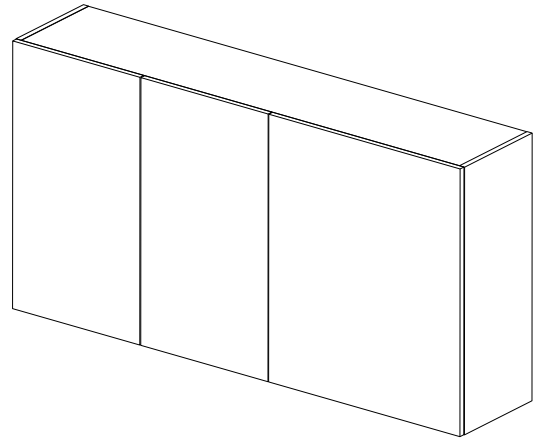


Bucatarii

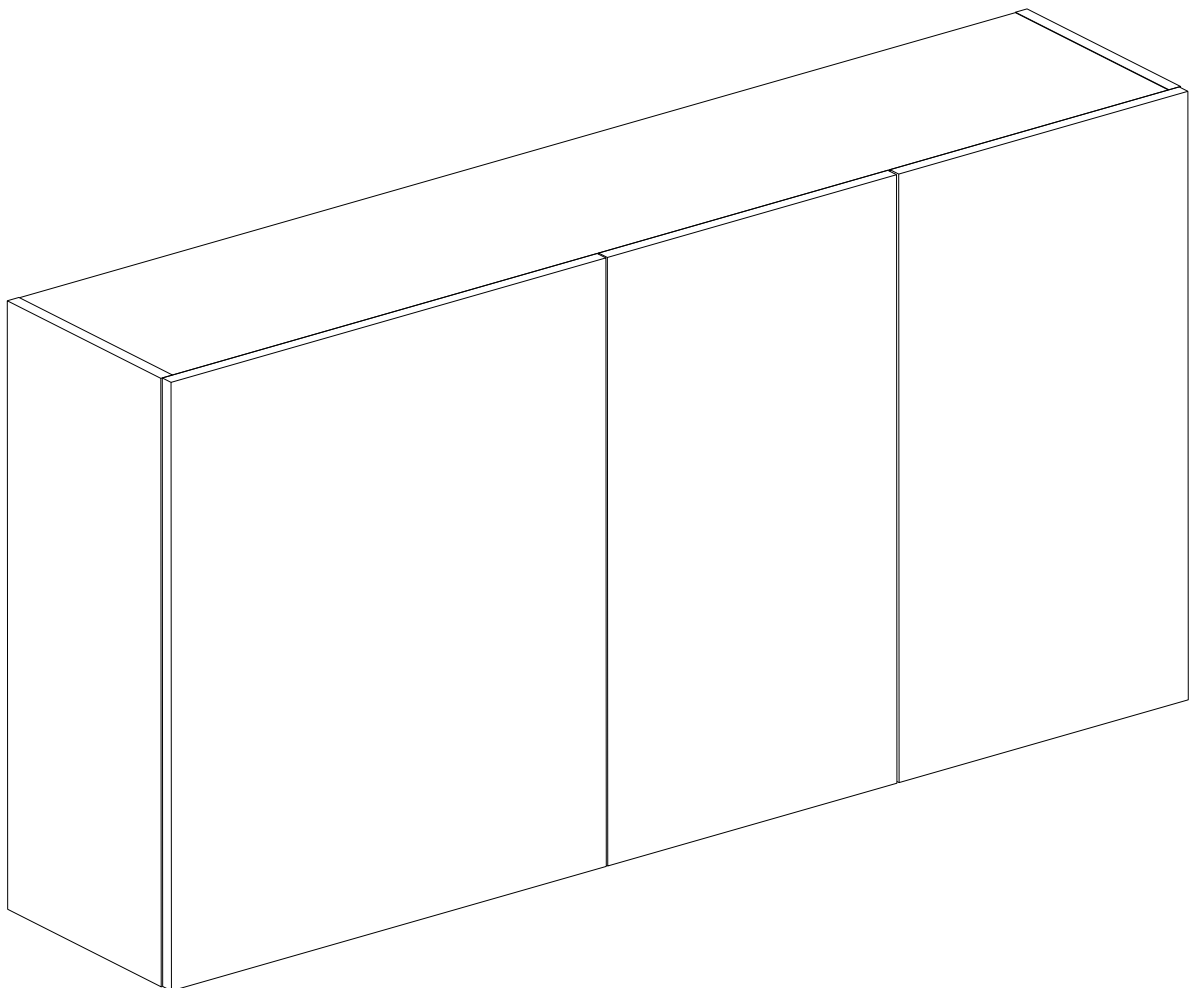
SUPERIOR 1400 1U+PIC



B



A

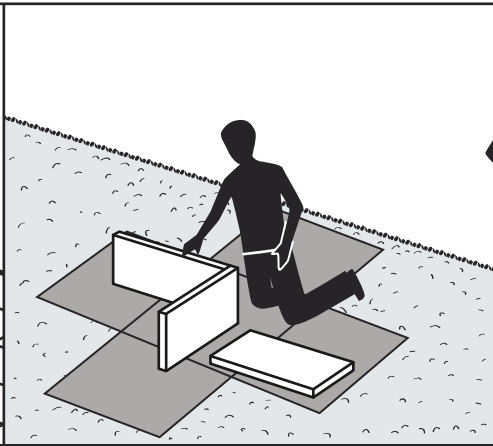
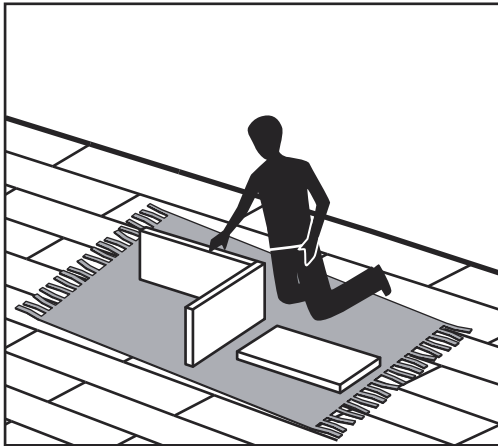
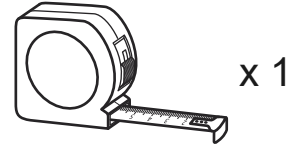
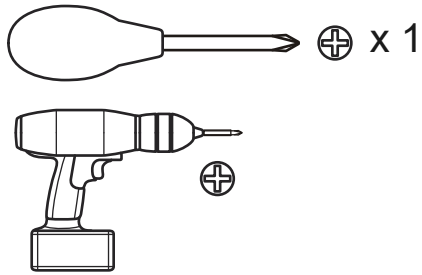


MATERIALE

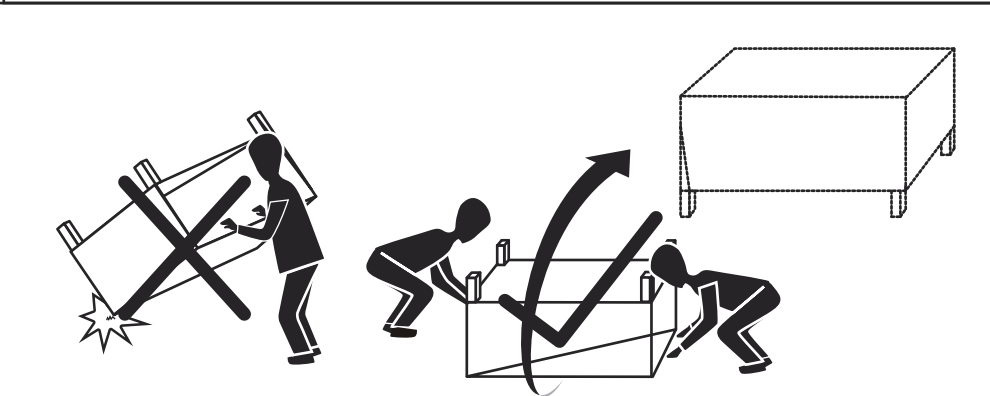
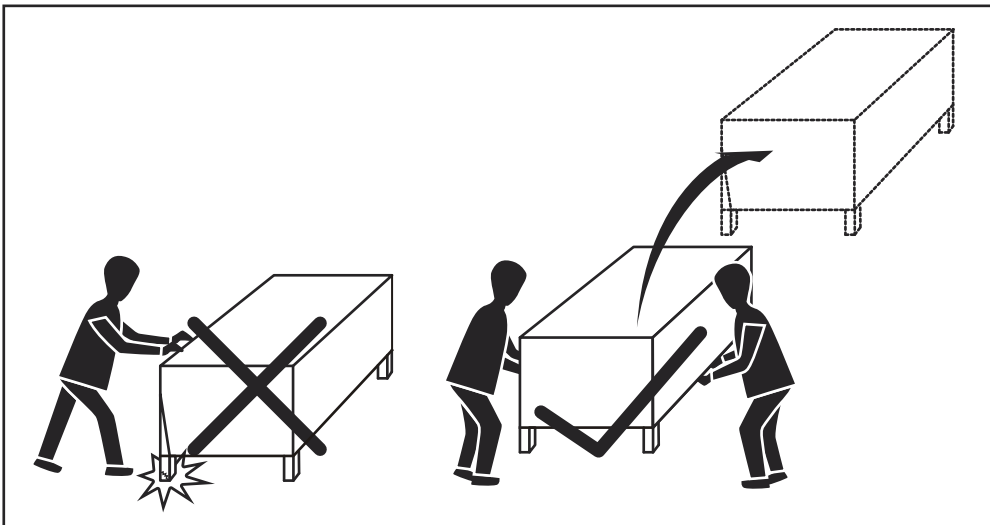
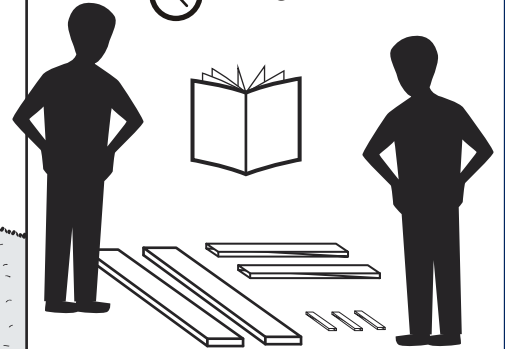
Fronturi MDF/PAL
Carcasa Pal 16 mm
Spate HDF
Cant ABS 0.5 si 1 mm
Elemente de imbinare metalice si din lemn
Balamale cu amortizare
Suport vase
Manere metalice

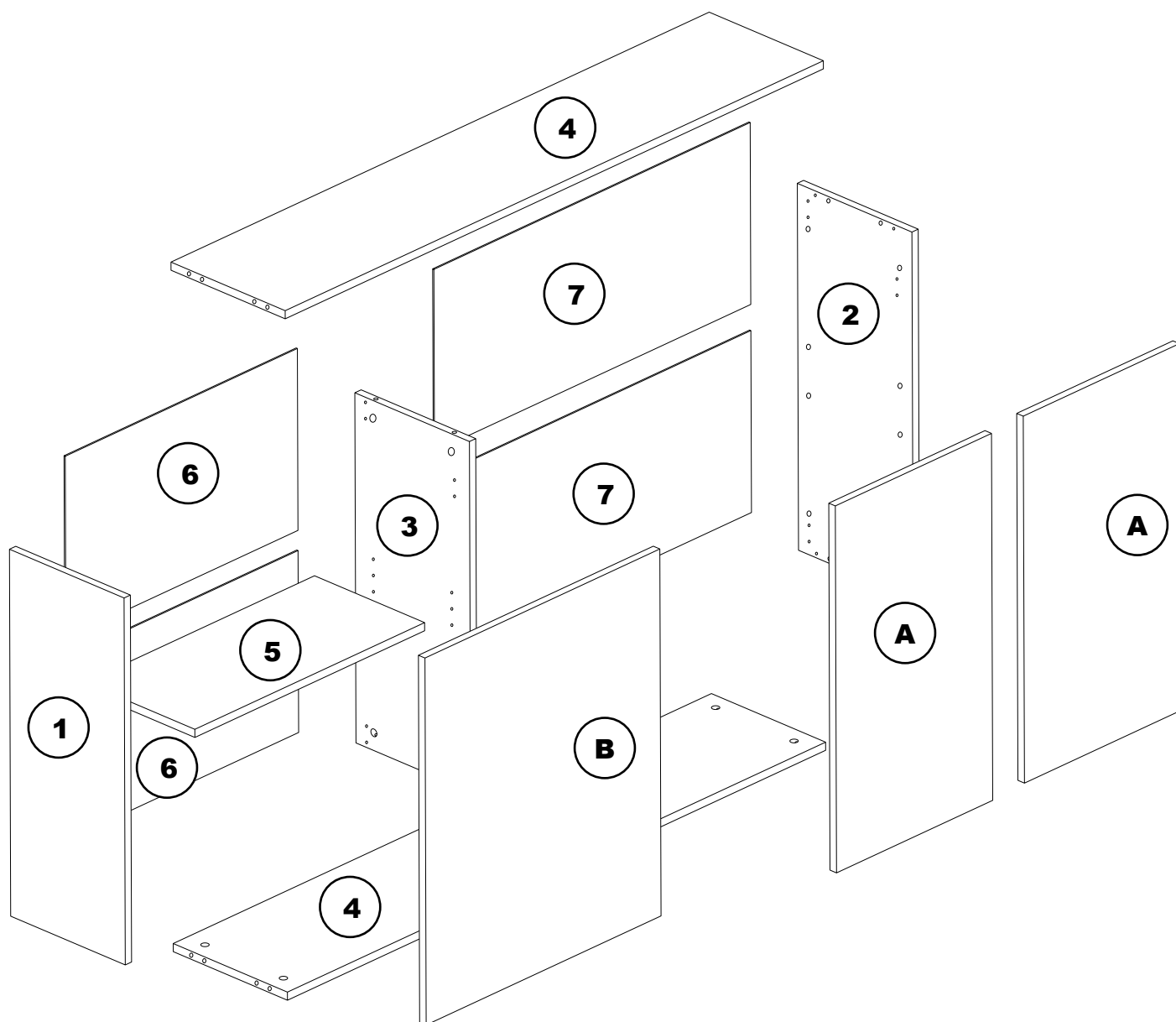
Bucatarii

SUPERIOR 1400 1U+PIC

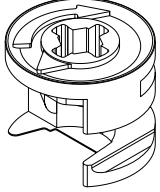
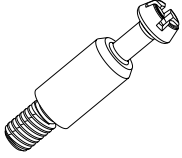
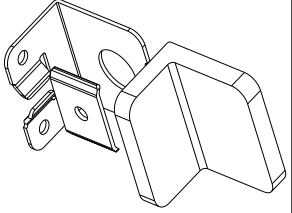
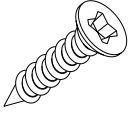
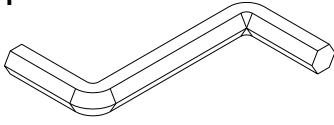
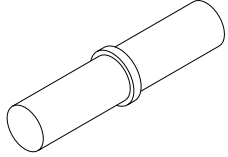
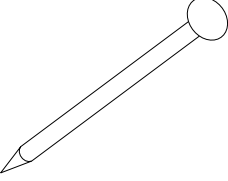
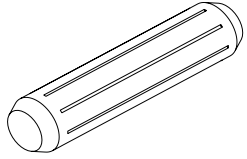
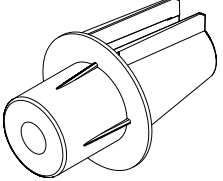
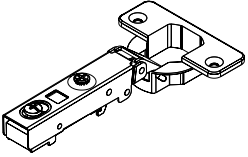
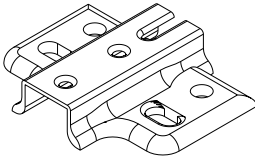
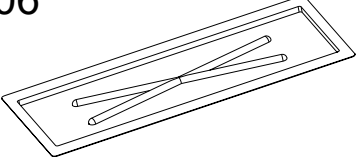
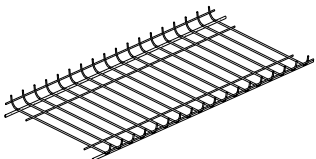
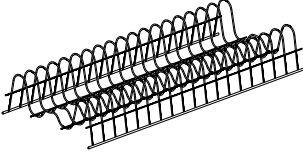
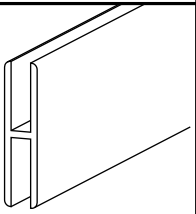


 120min



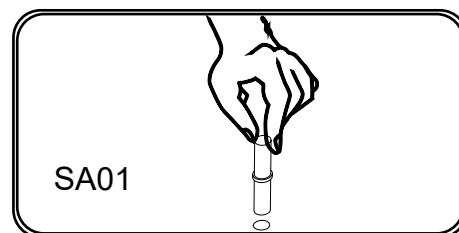
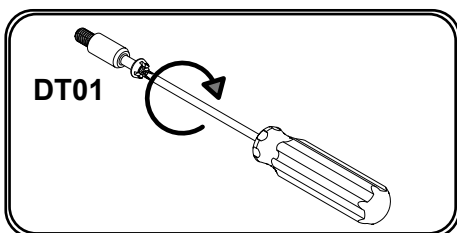
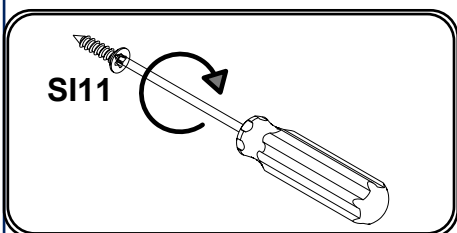
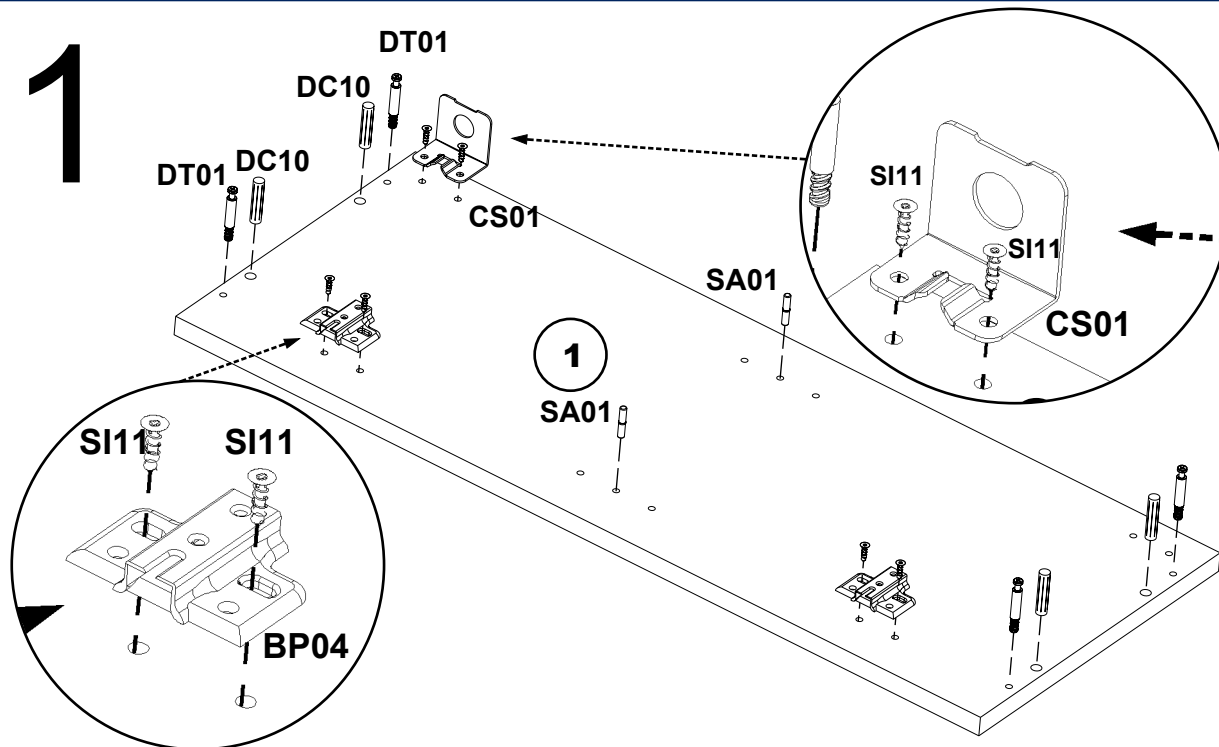


Nr	COD	BuC
1	0901	1
2	0902	1
3	0903	1
4	1001	2
5	1002	1
6	1003	2
7	1004	2
A	9082	2
B	9092	1

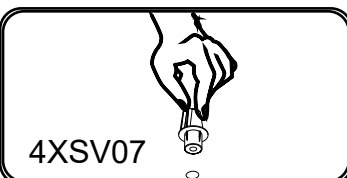
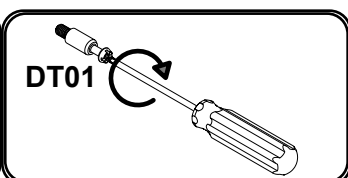
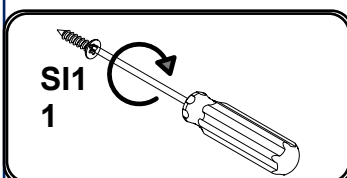
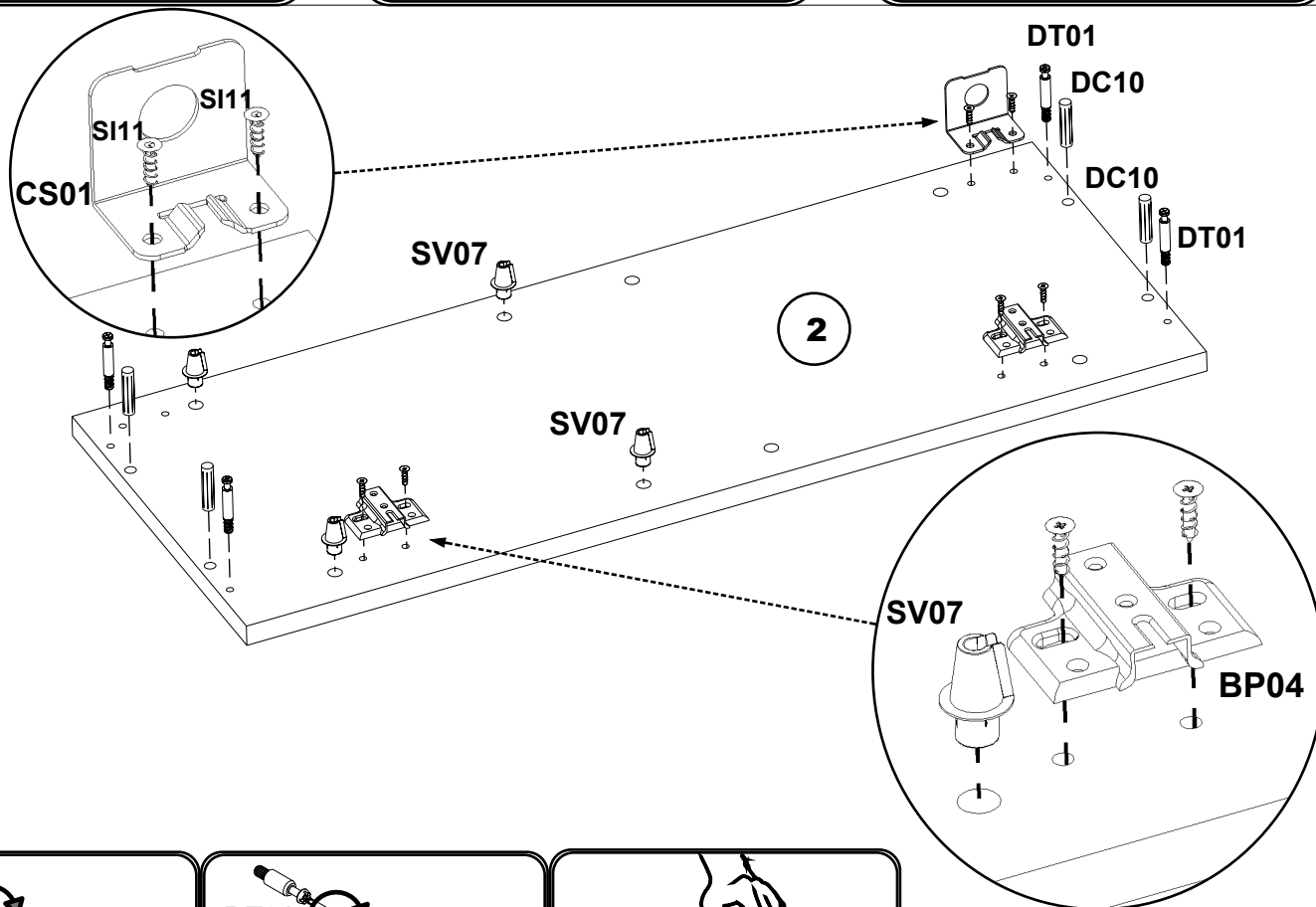
<p>DC01</p>  <p>x12</p>	<p>DT01</p>  <p>x12</p>	<p>CS01</p>  <p>X3</p>
<p>SI11</p>  <p>x42</p>	<p>HH04</p>  <p>x1</p>	<p>SA01</p>  <p>x4</p>
<p>CT01</p>  <p>≈ 60</p>	<p>DC10</p>  <p>x8</p>	<p>SV07</p>  <p>x8</p>
<p>BA01</p>  <p>x6</p>	<p>BP04</p>  <p>x6</p>	<p>SV06</p>  <p>x1</p>
<p>SV05</p>  <p>x1</p>	<p>SV04</p>  <p>x1</p>	<p>PH01</p>  <p>x2</p>

1

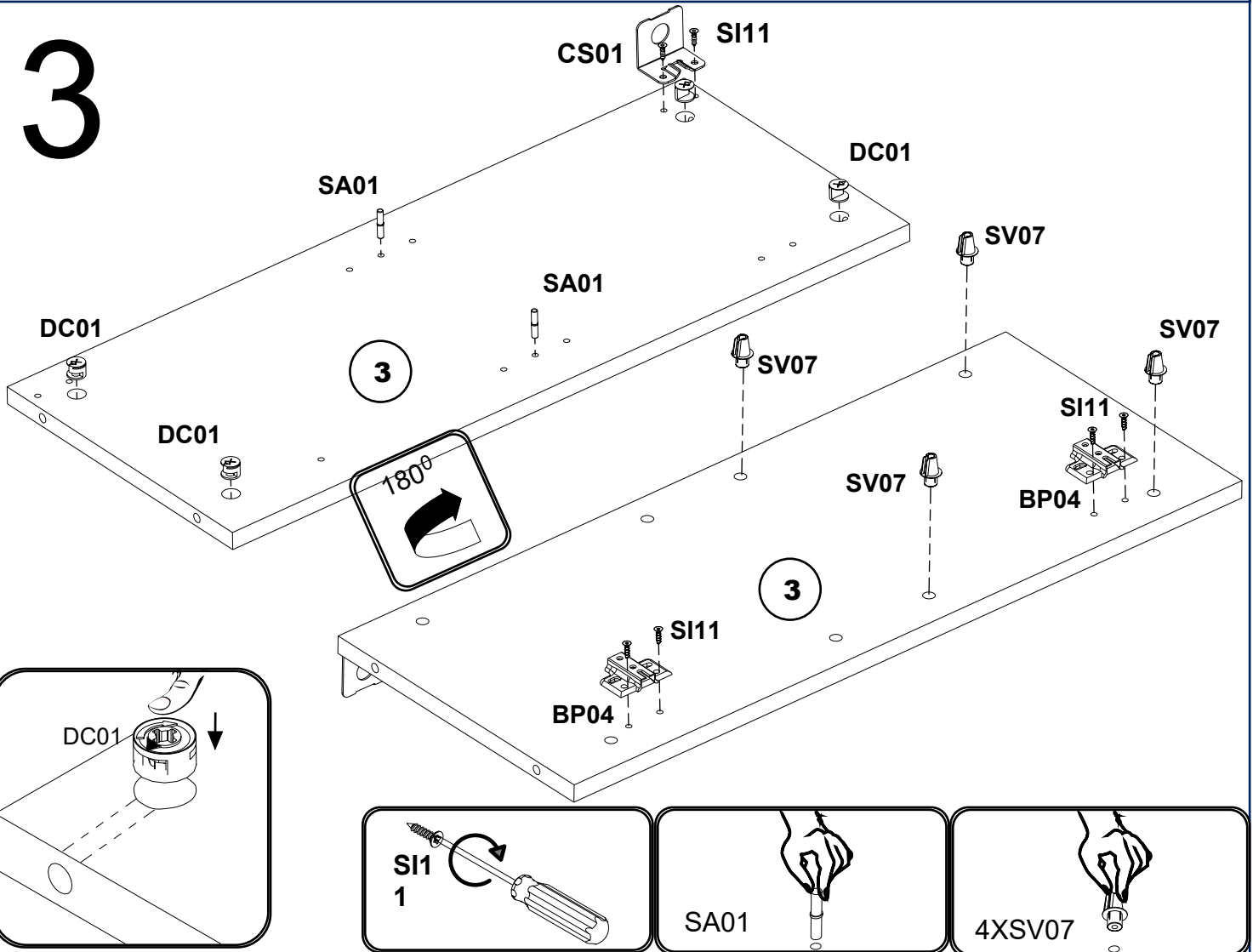
A



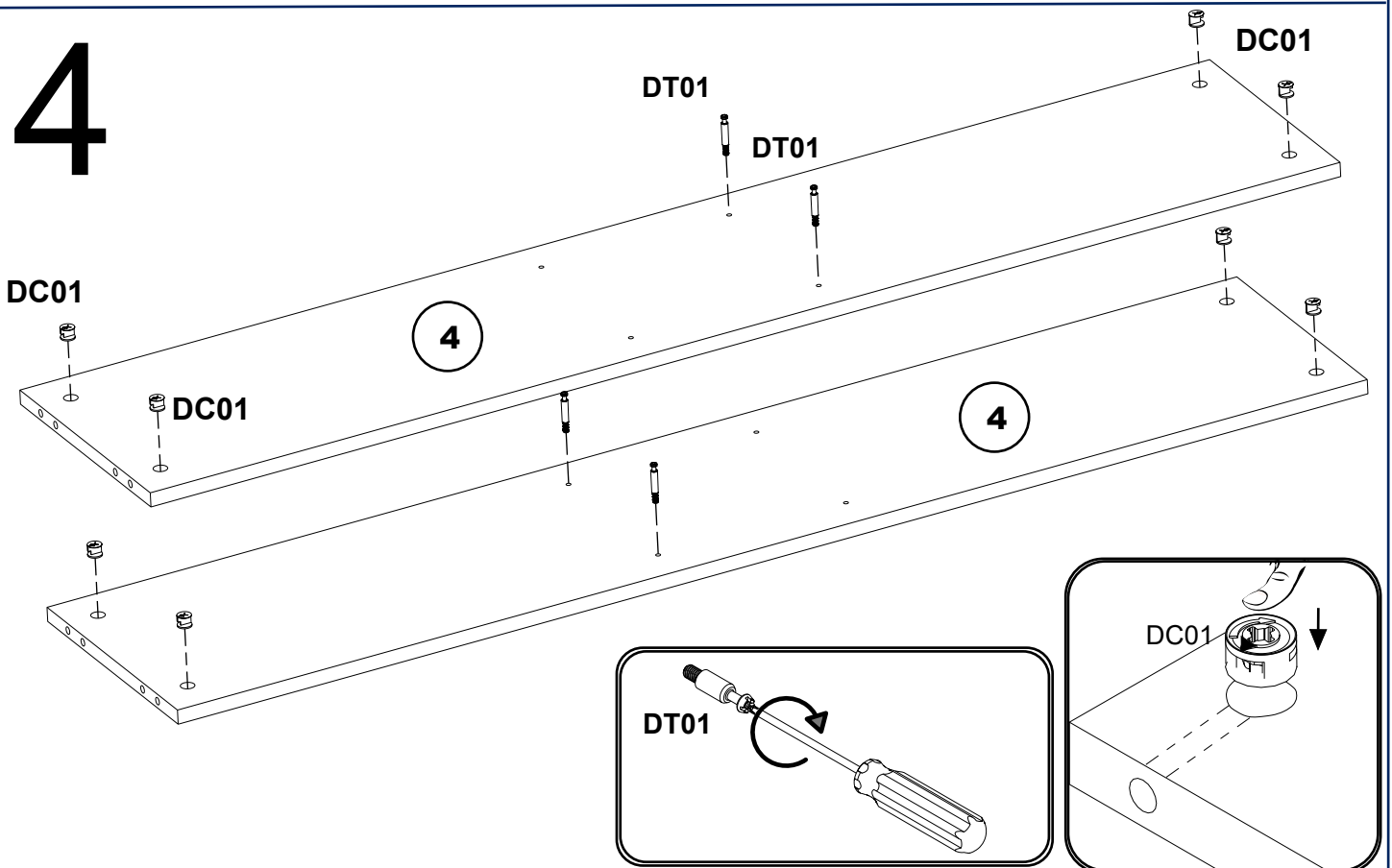
2



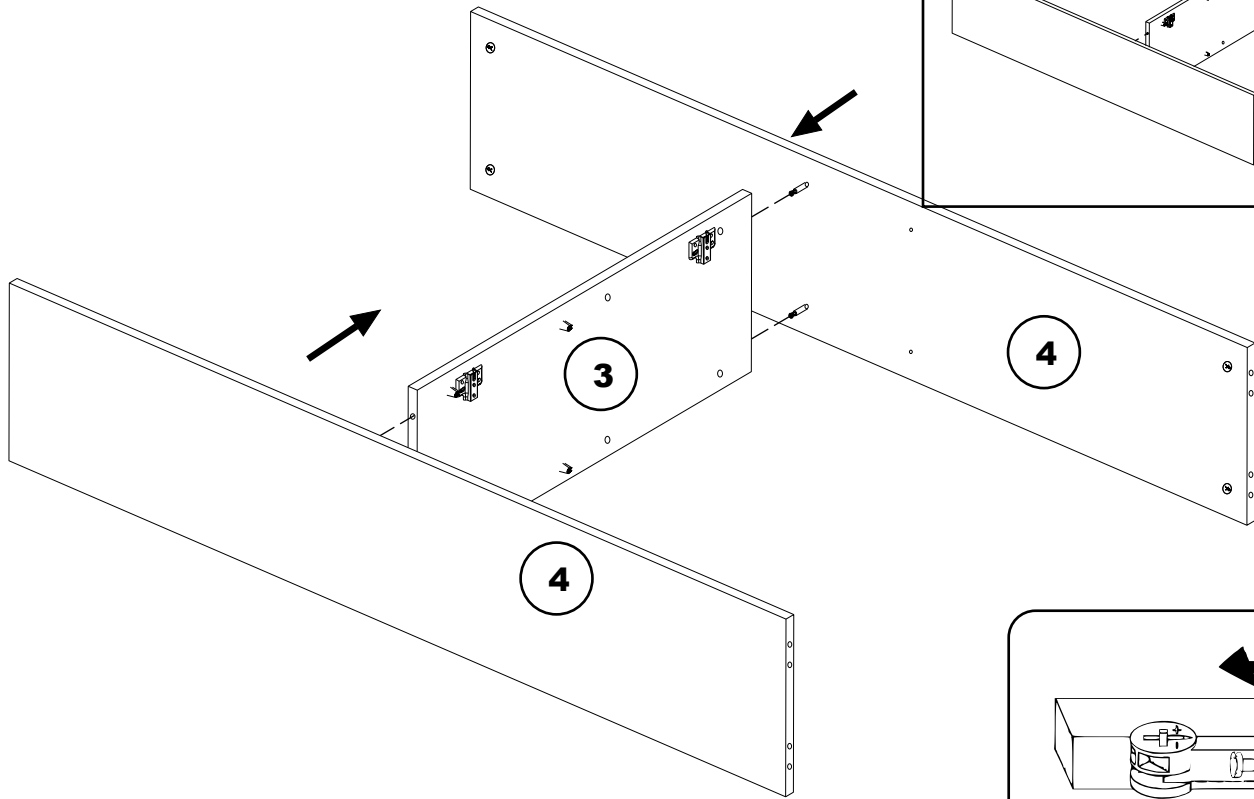
3



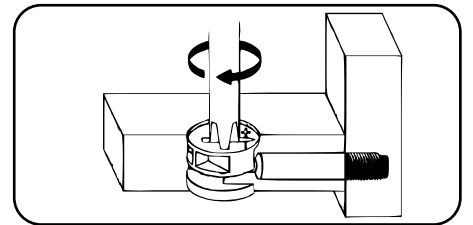
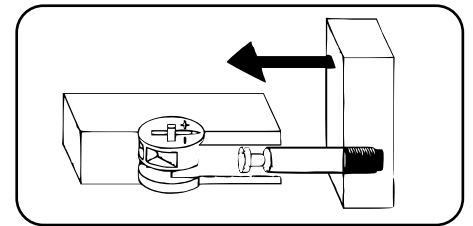
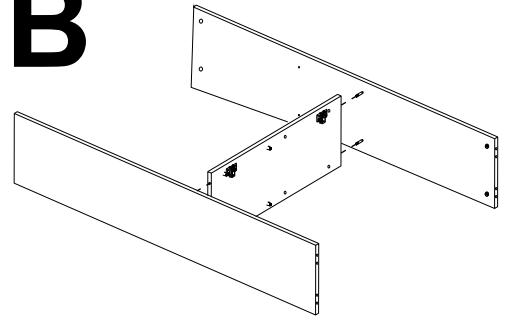
4



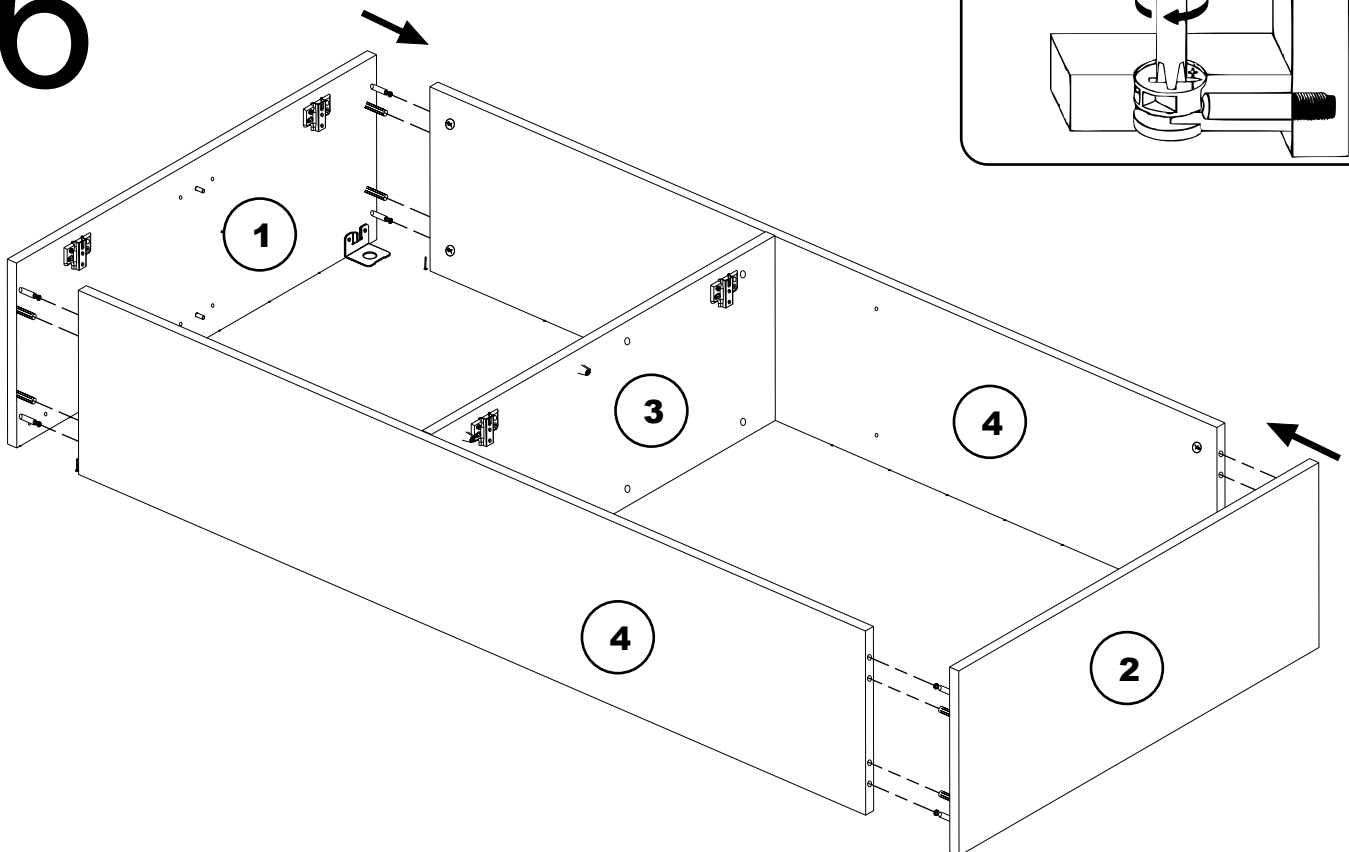
5



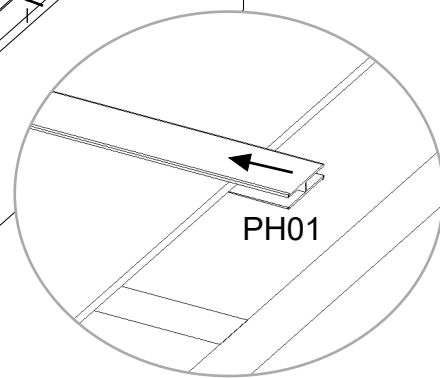
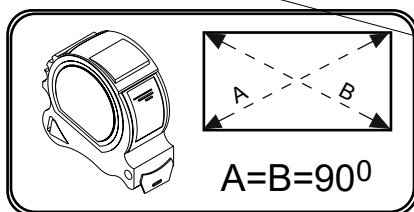
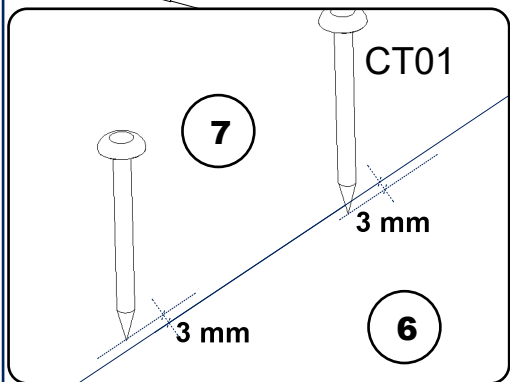
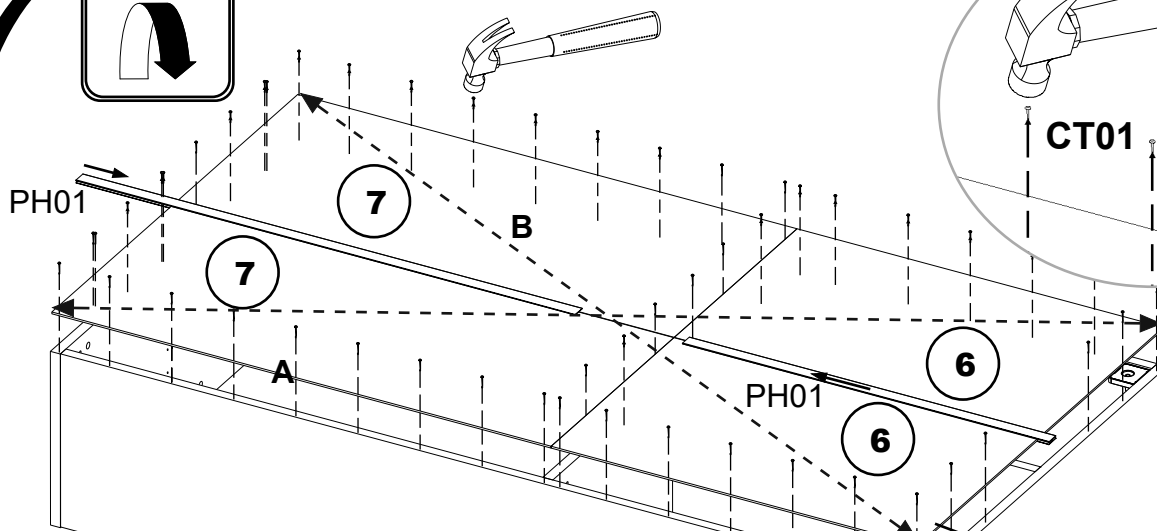
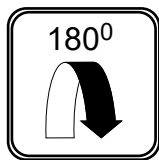
B



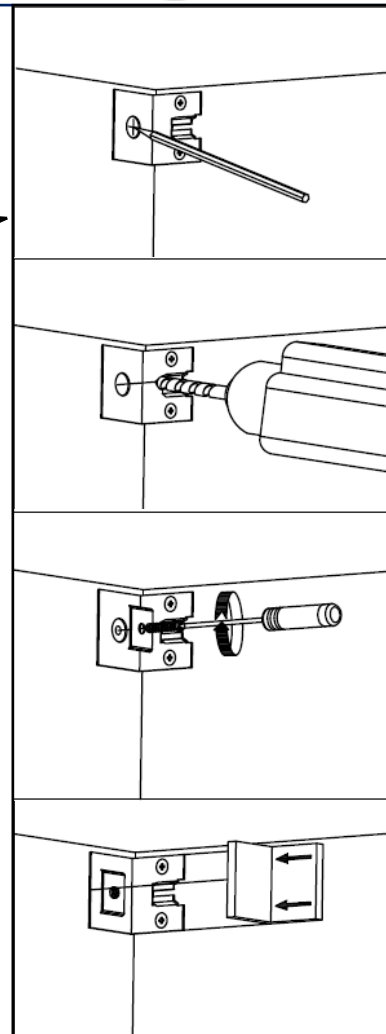
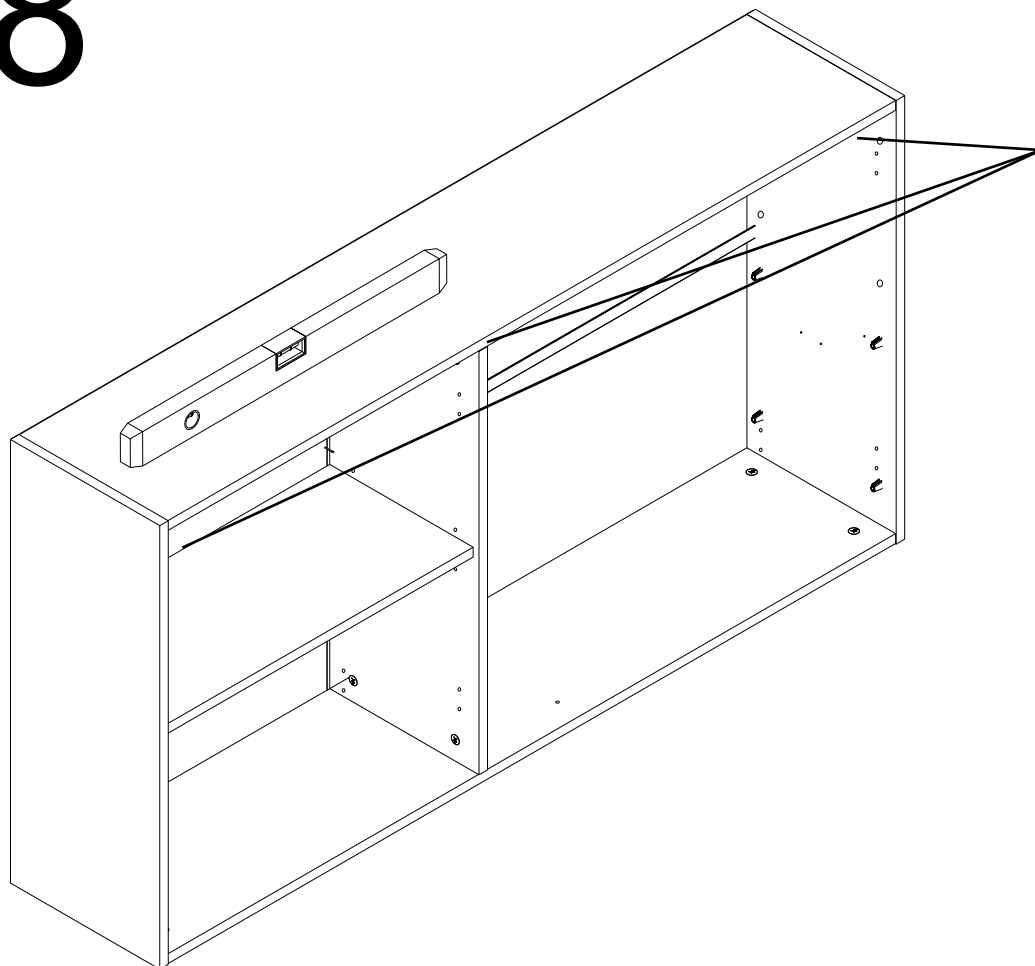
6



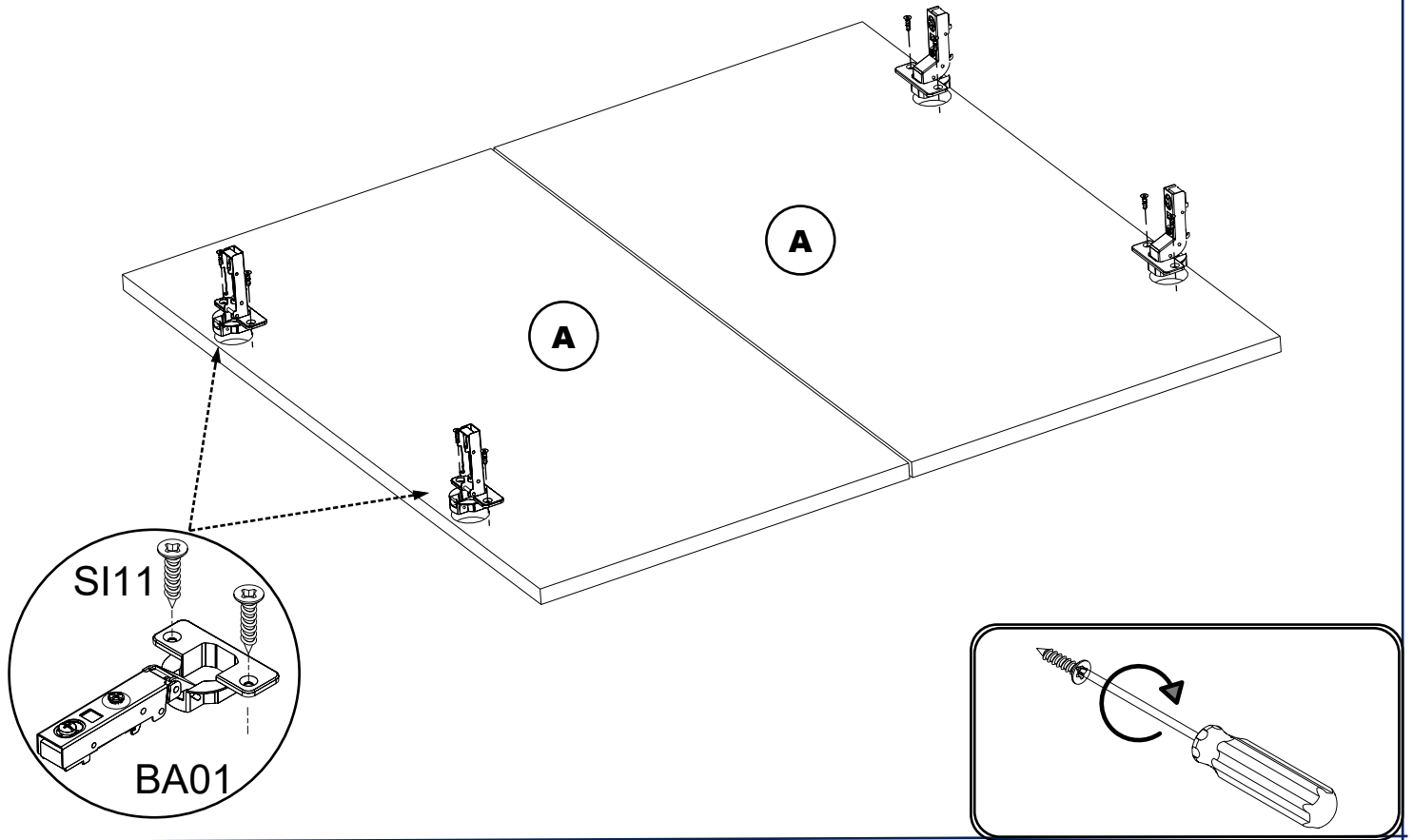
7



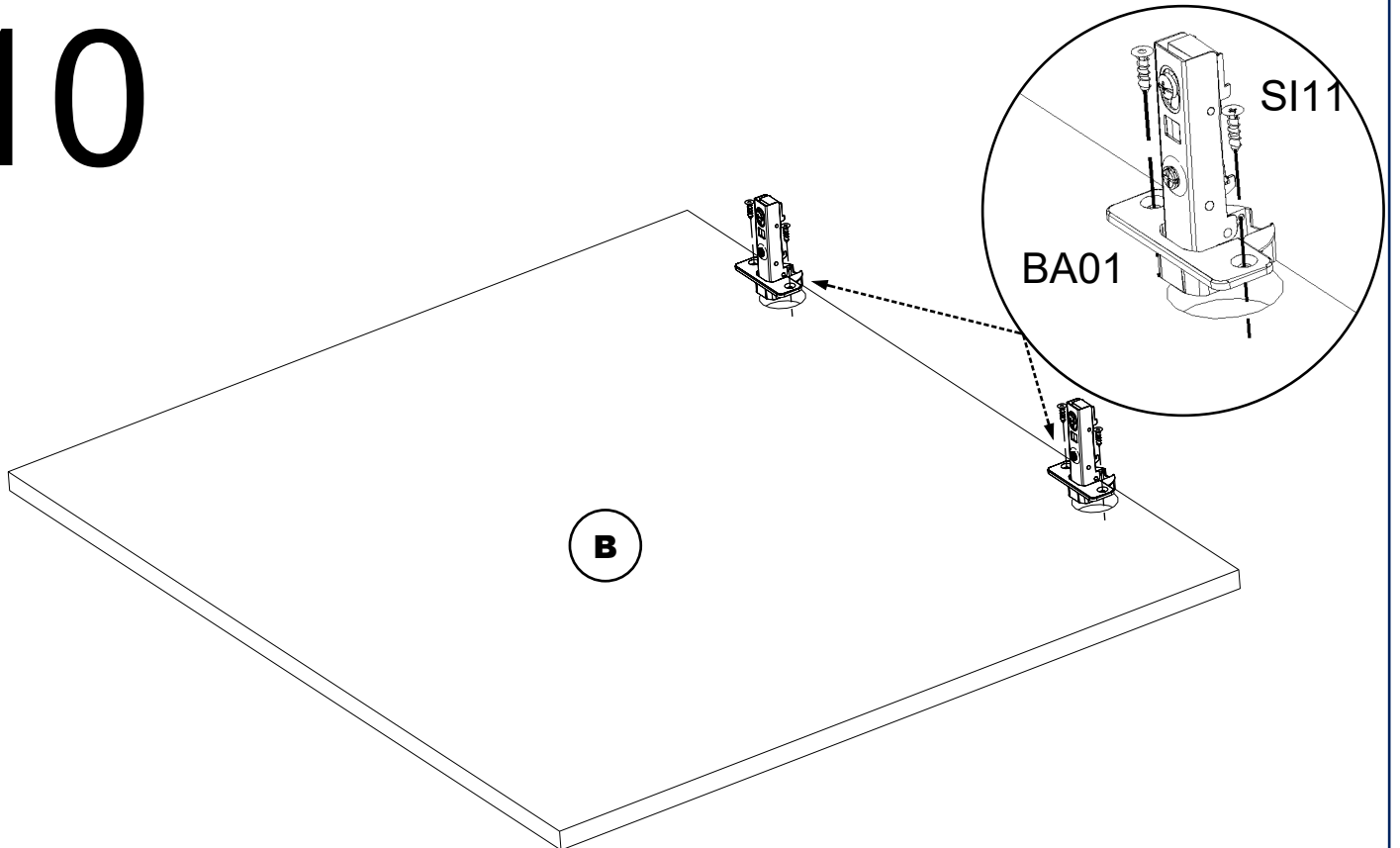
8



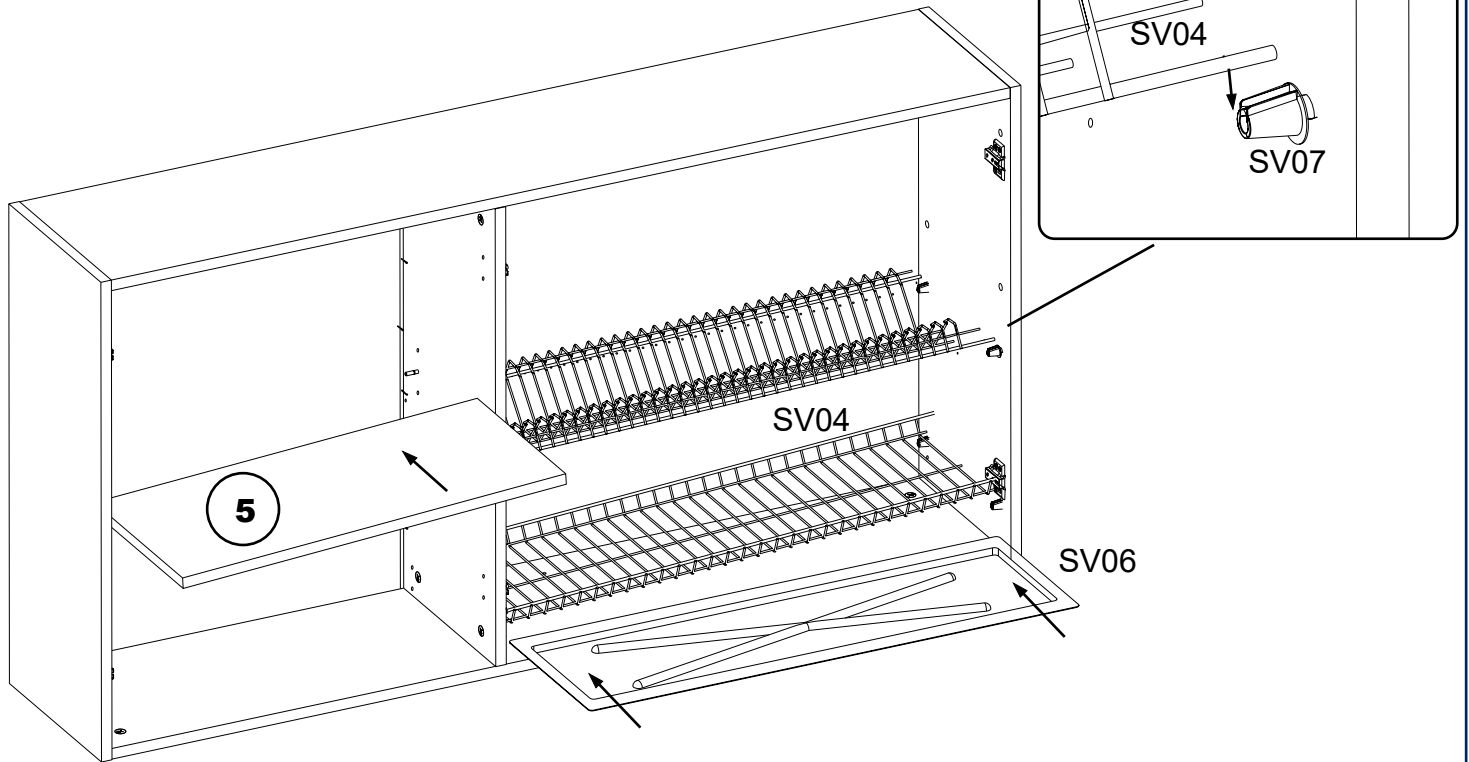
9



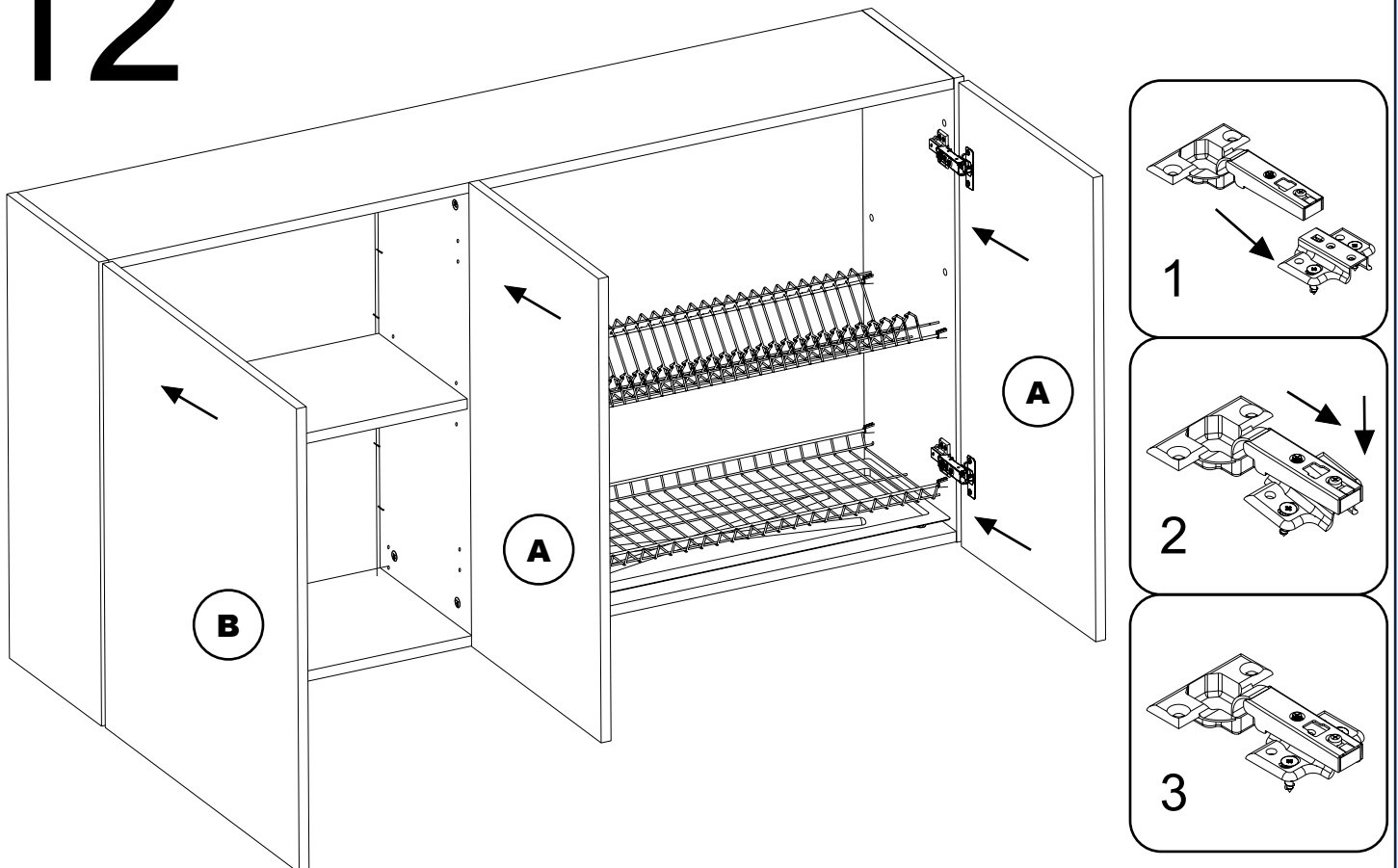
10



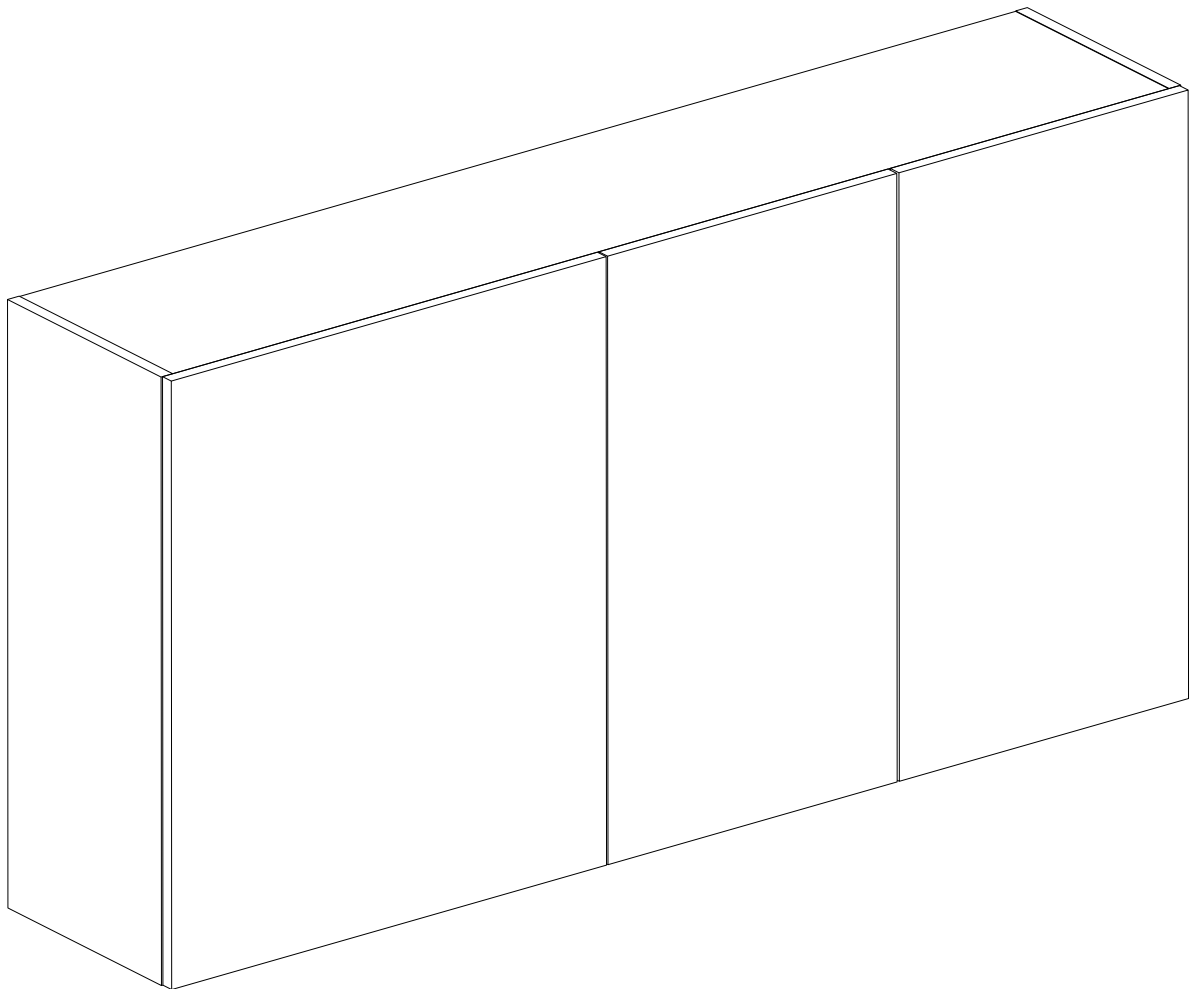
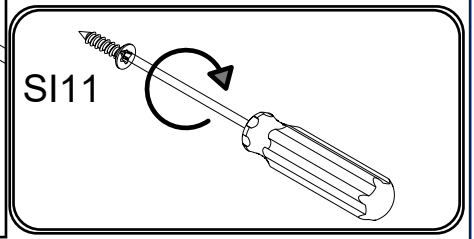
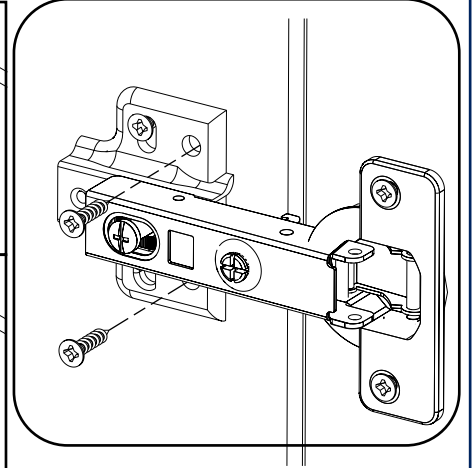
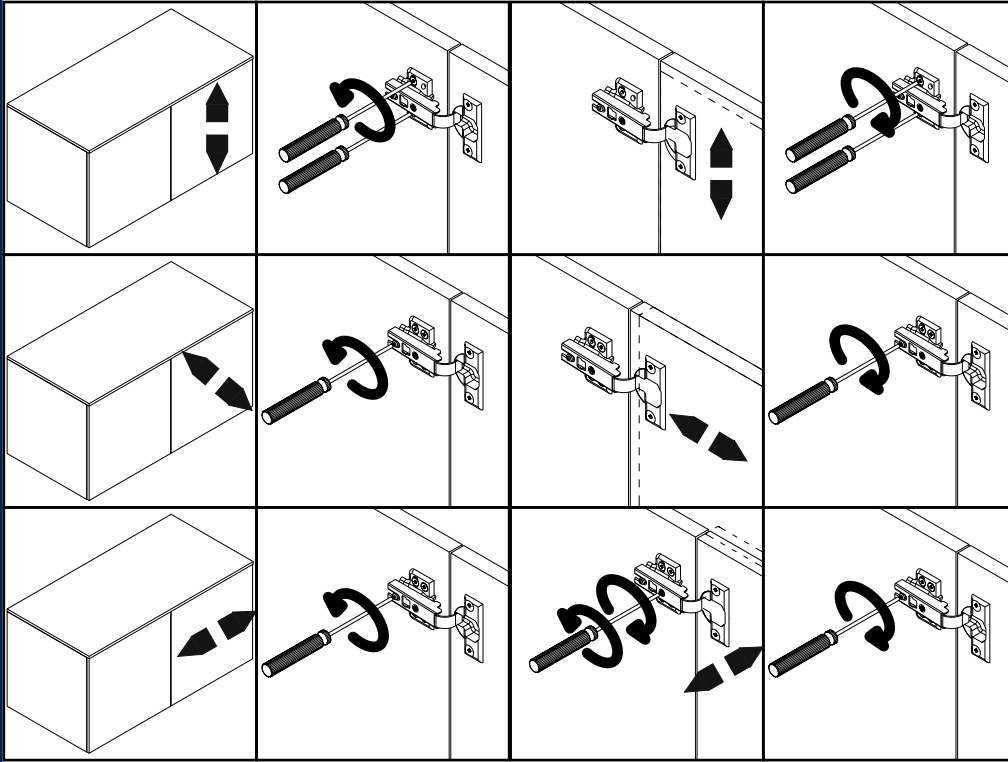
11

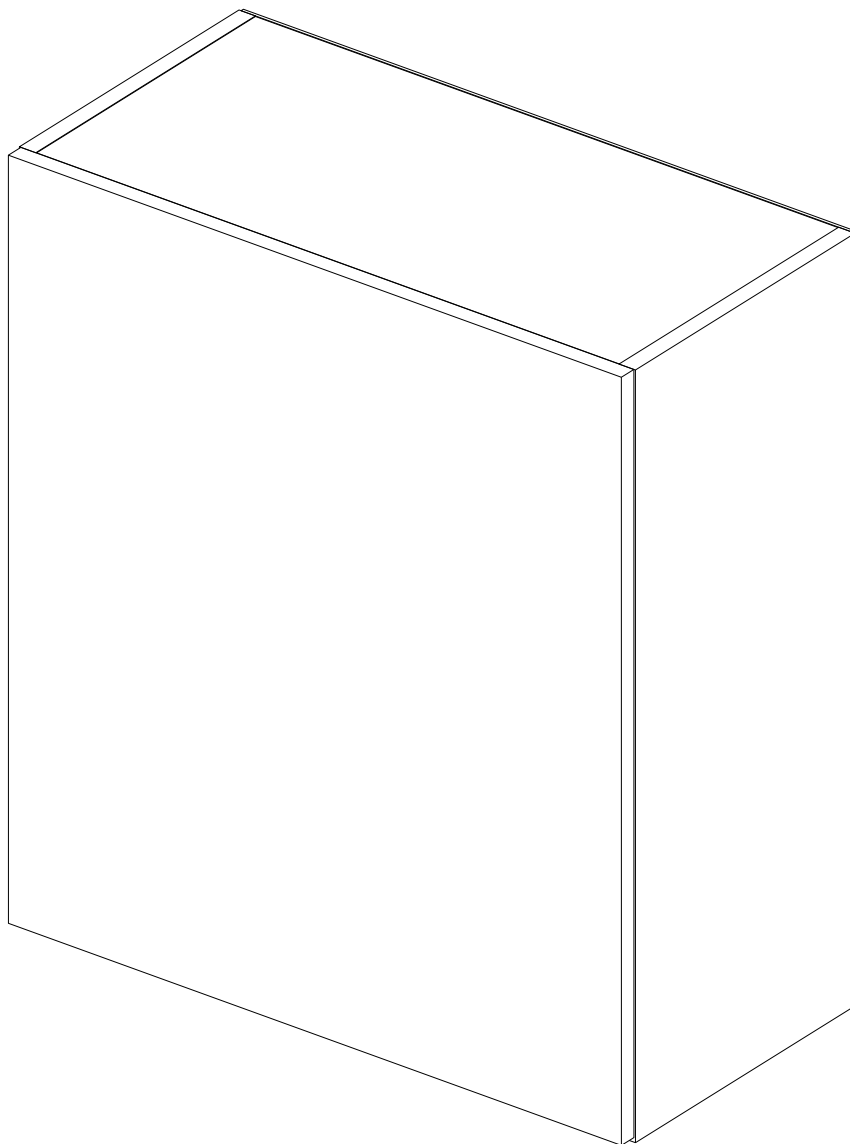
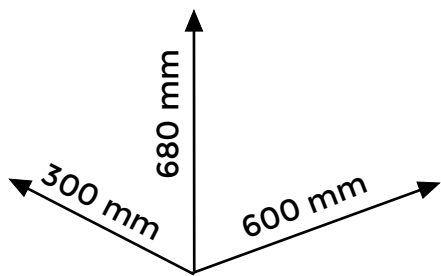


12



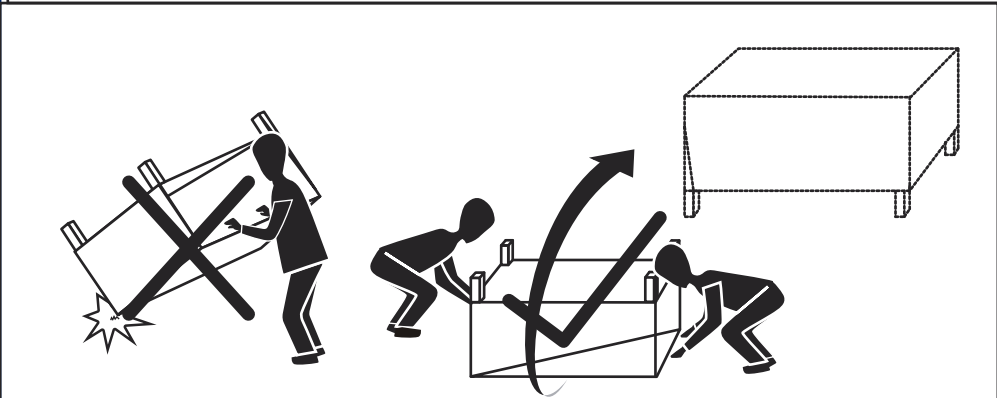
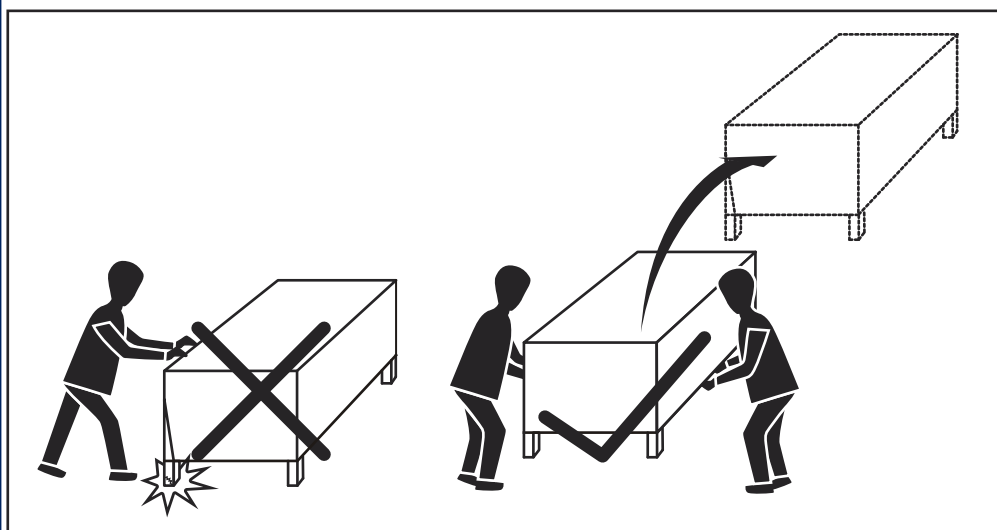
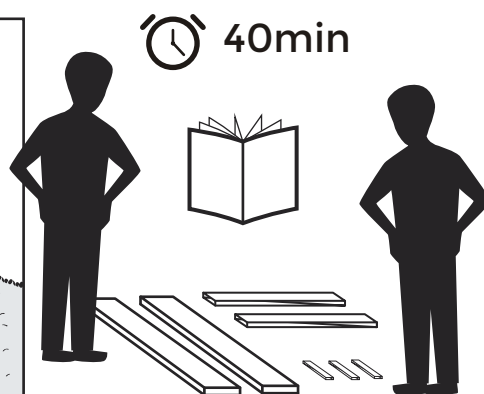
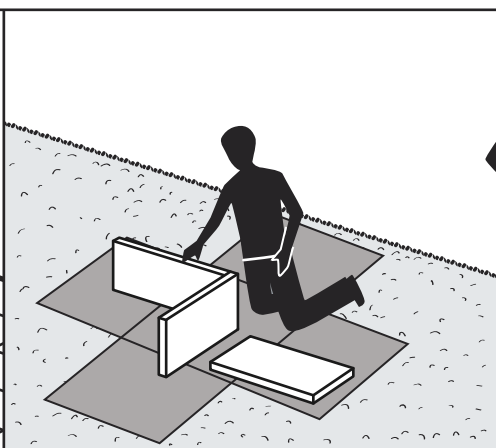
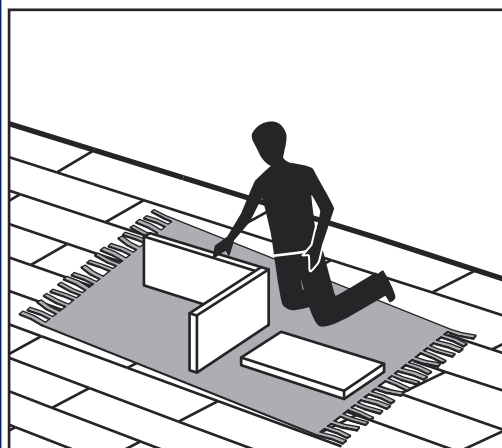
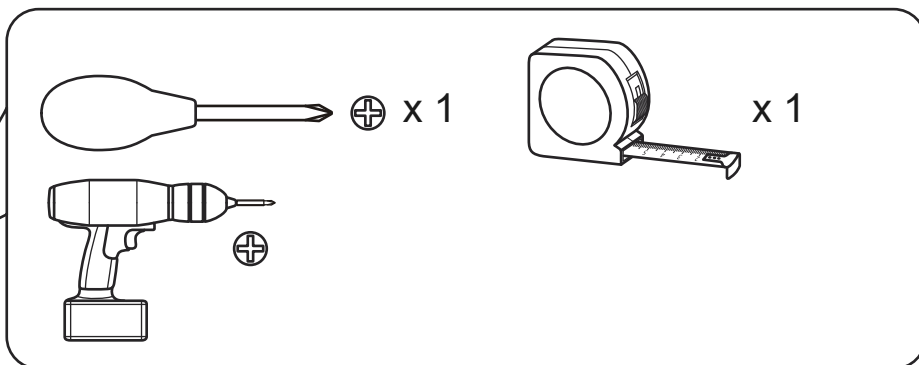
13

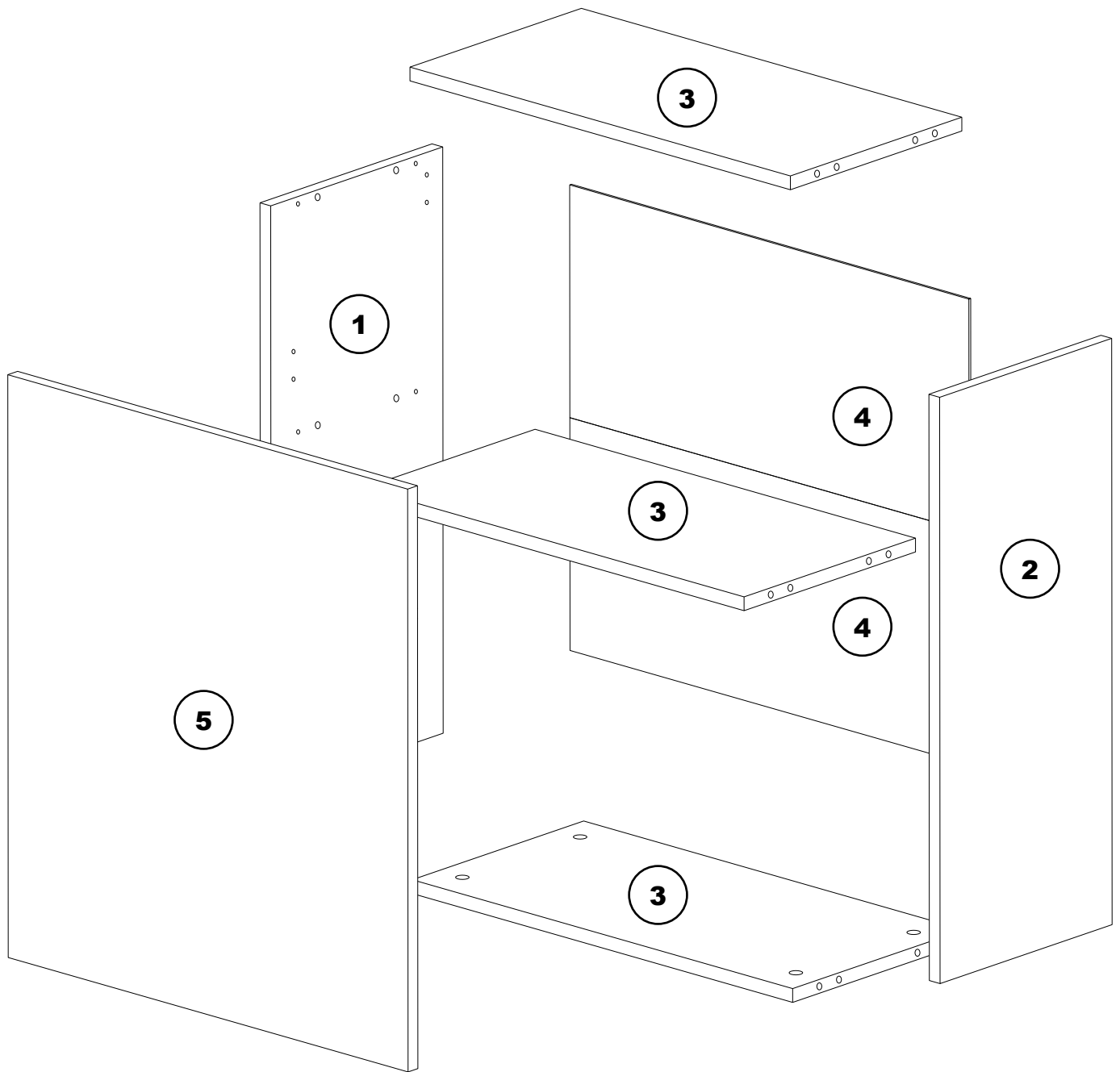




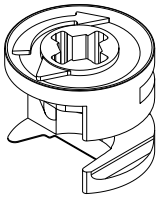
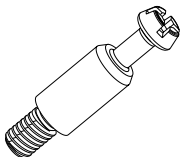
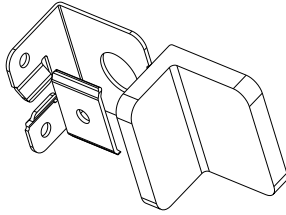

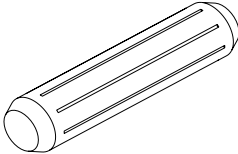
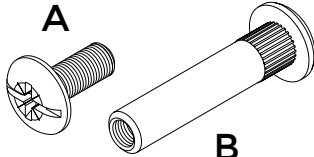
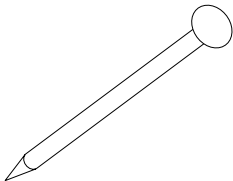
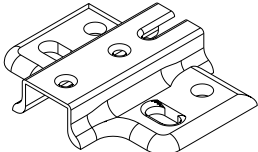
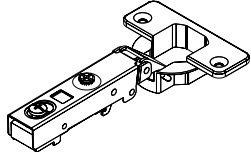
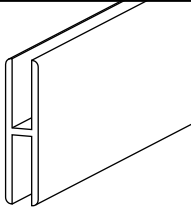
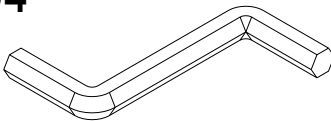
MATERIALE

Fronturi MDF
Carcasa Pal 16 mm
Spate HDF
Cant ABS 0.5 si 1 mm
Elemente de imbinare metalice si din lemn
Manere plastic
Balamale cu amortizare

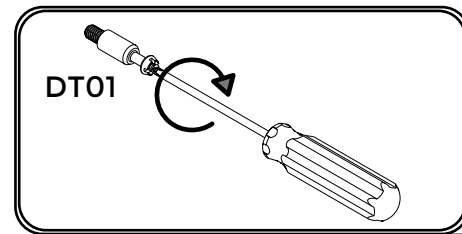
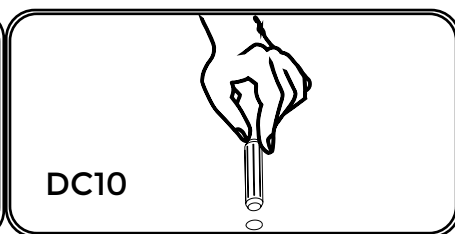
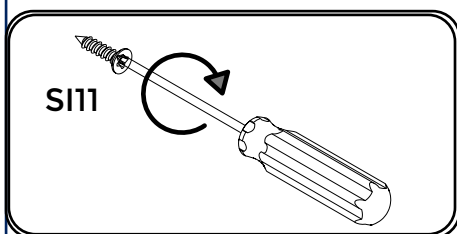
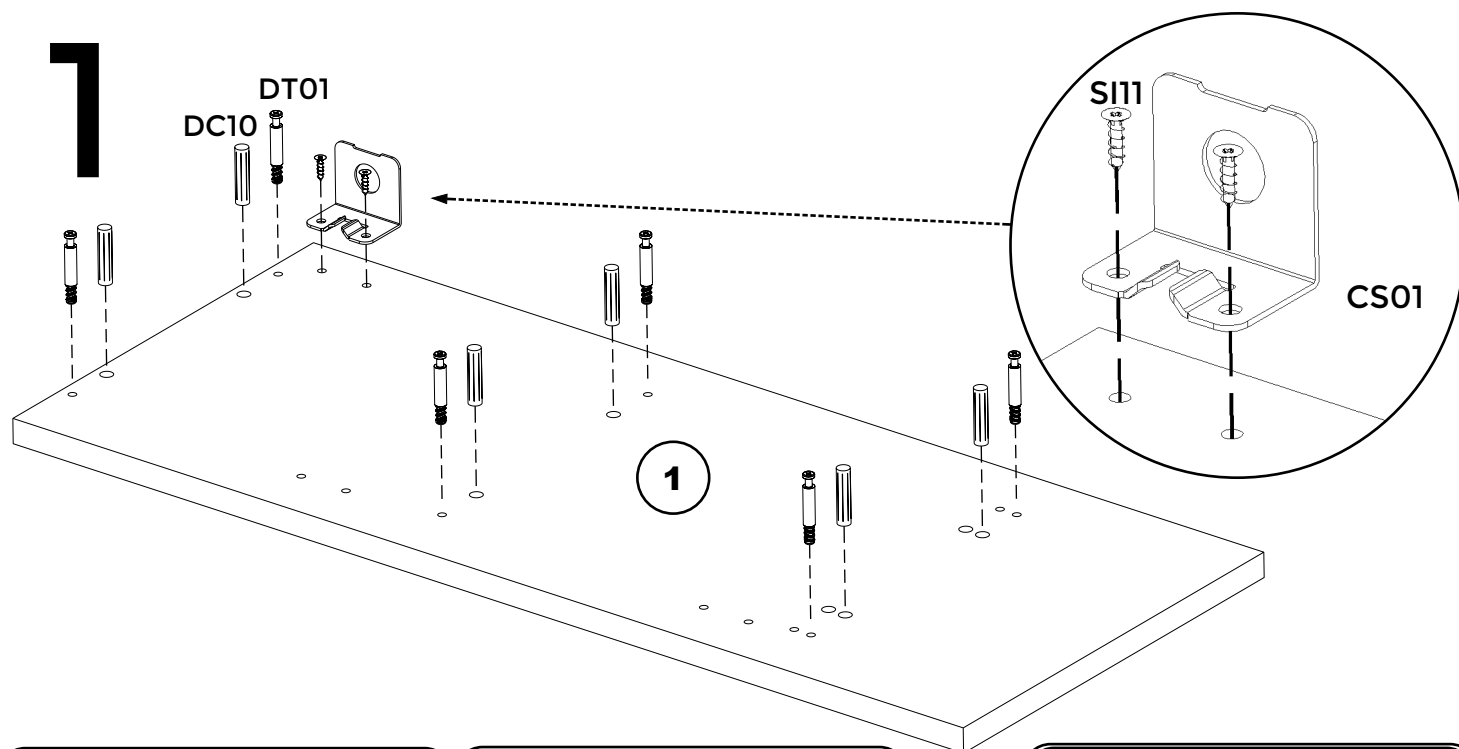




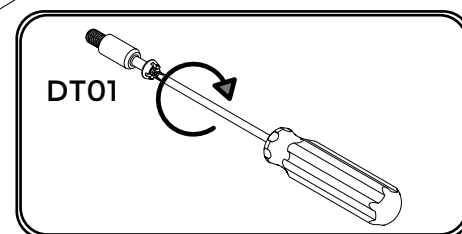
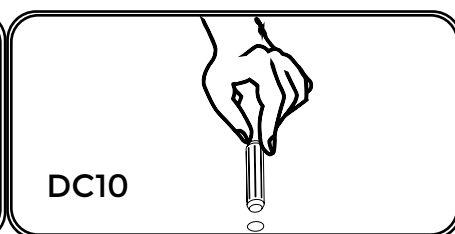
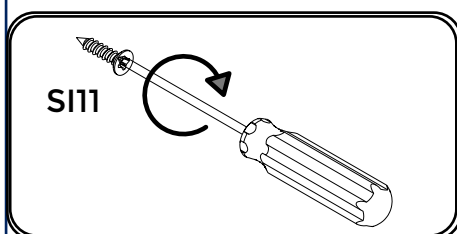
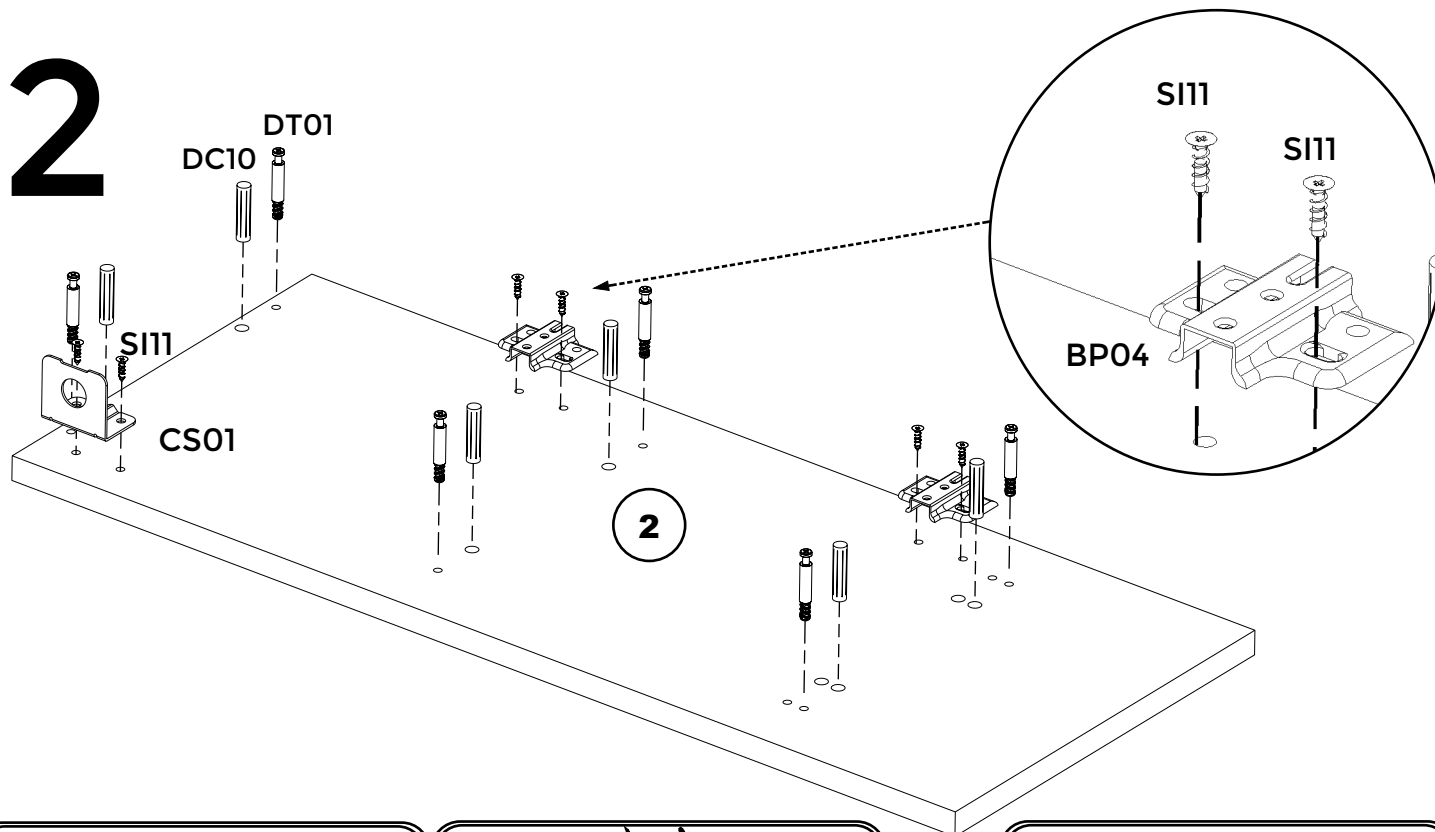
Nr	COD	BuC
1	1201	1
2	1202	1
3	1203	3
4	1204	2
5	2052	1

<p>DC01</p>  <p>x12</p>	<p>DT01</p>  <p>x12</p>	<p>CS01</p>  <p>x2</p>
<p>SI11</p>  <p>x16</p>	<p>DC10</p>  <p>x12</p>	<p>SC01</p>  <p>x2</p>
<p>CT01</p>  <p>≈ 25</p>	<p>BP04</p>  <p>x2</p>	<p>BA01</p>  <p>x2</p>
<p>PH01</p>  <p>x1</p>	<p>HH04</p>  <p>x1</p>	

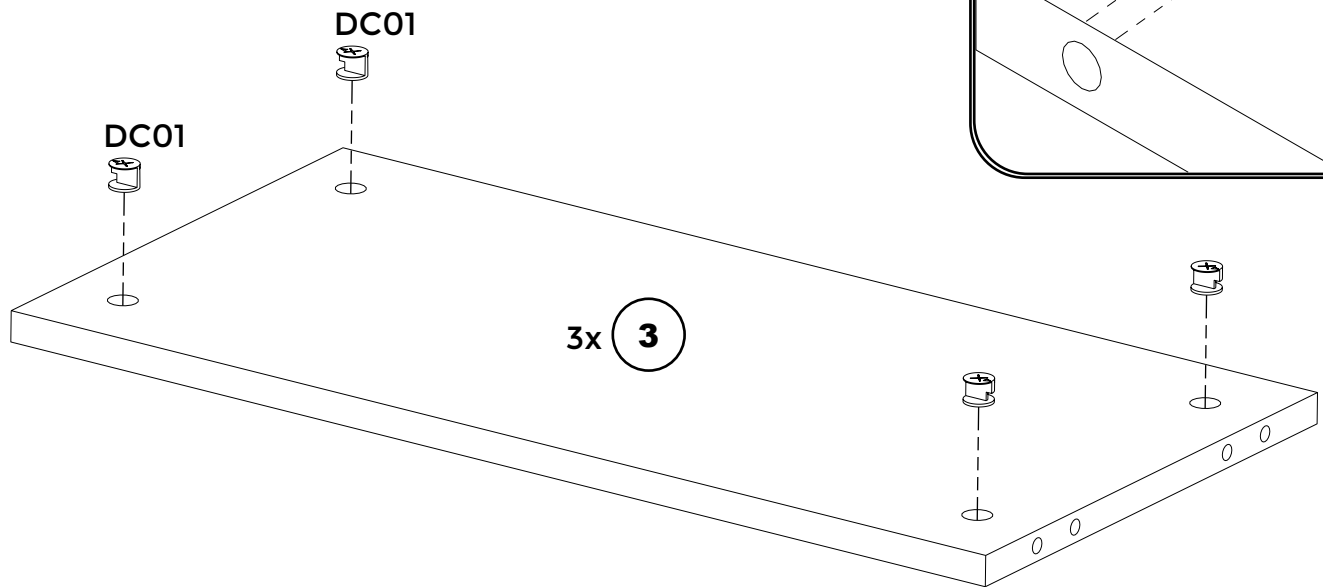
1



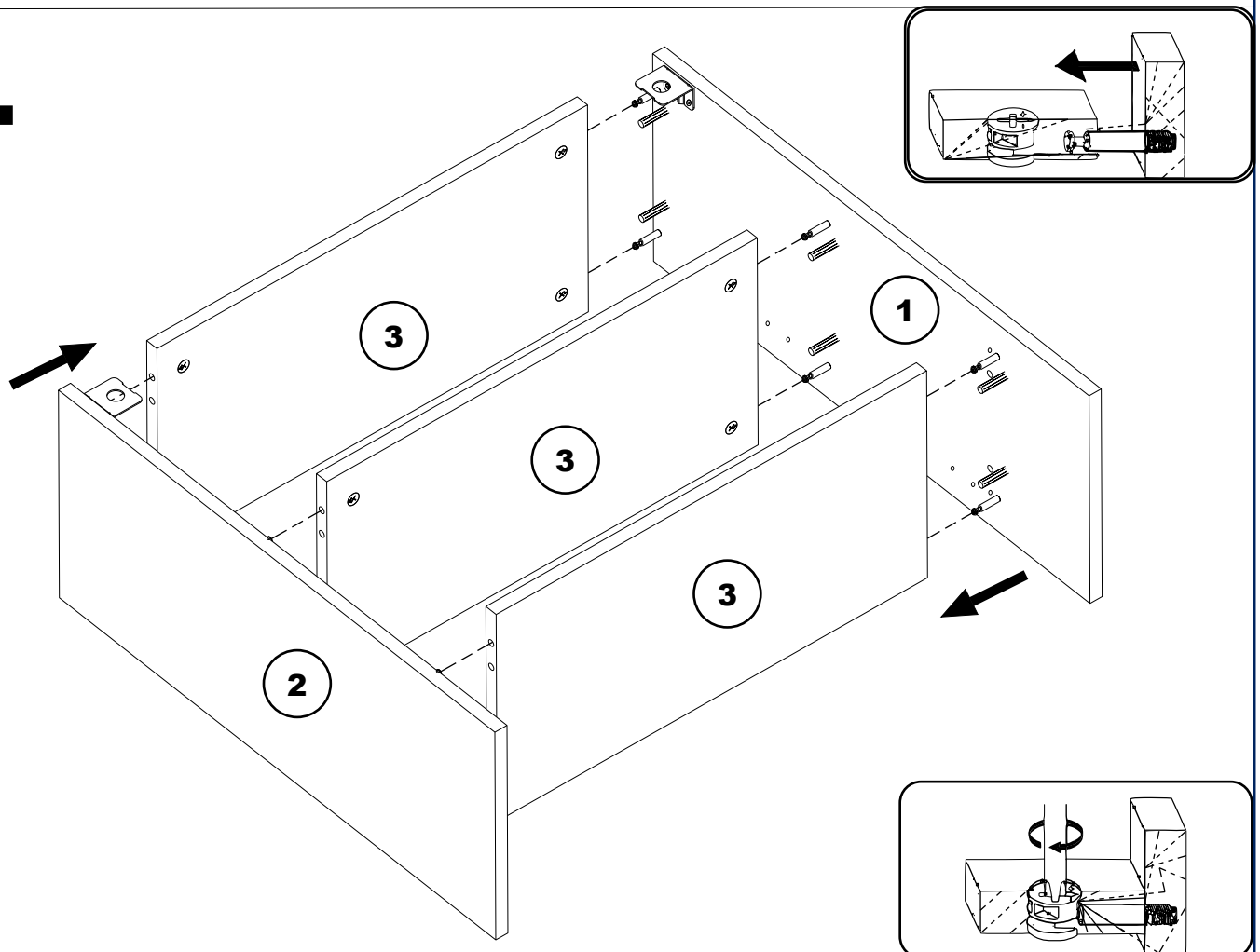
2



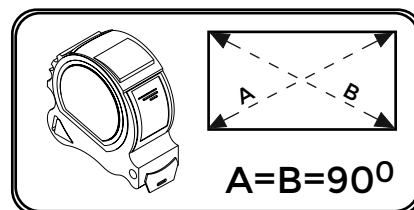
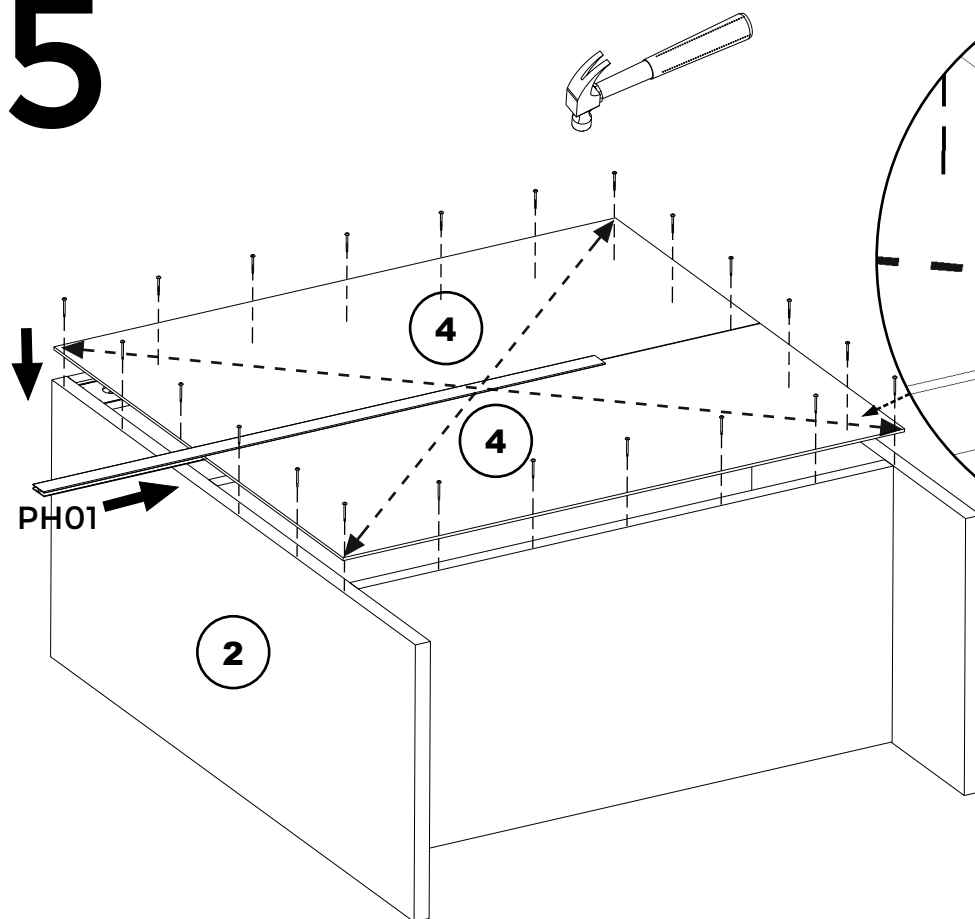
3



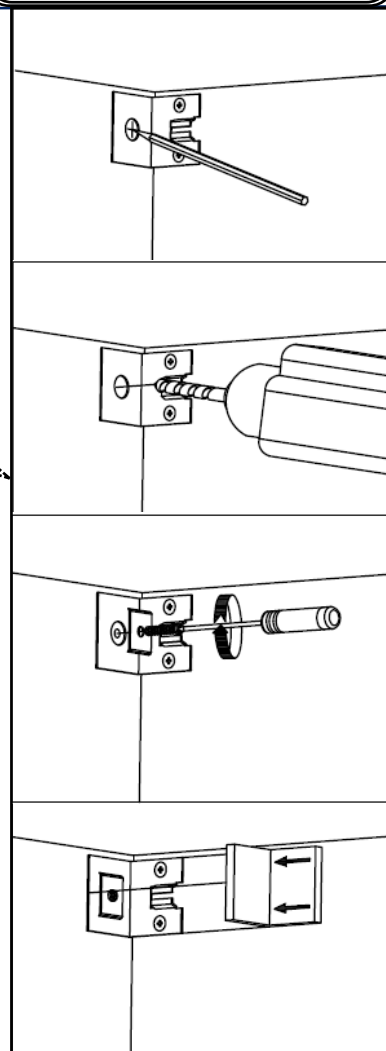
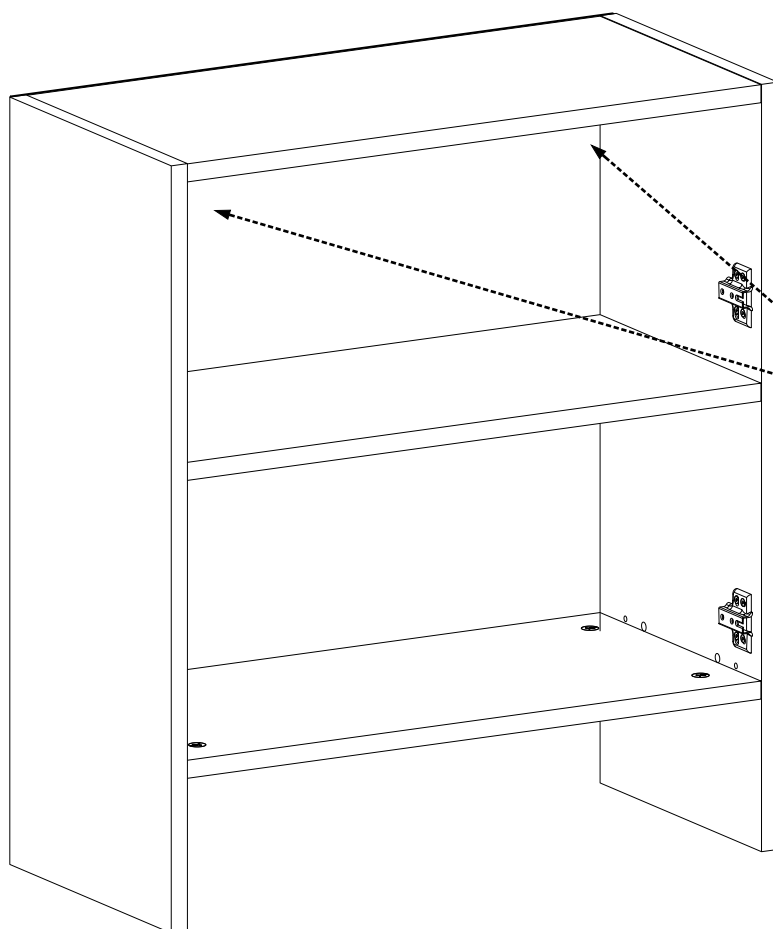
4



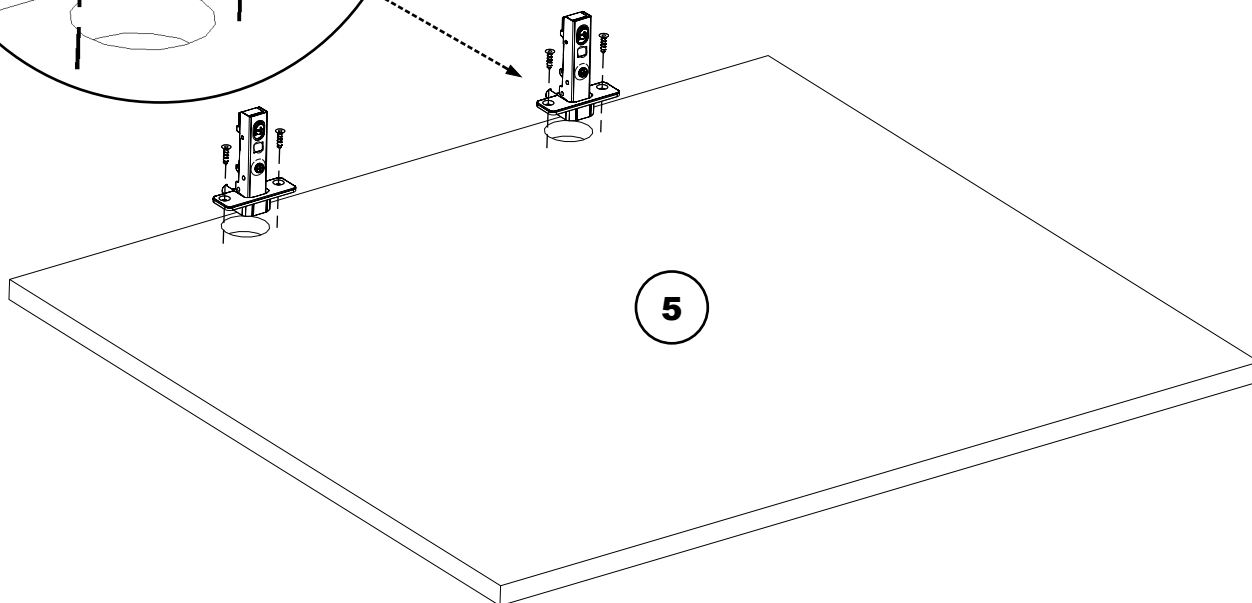
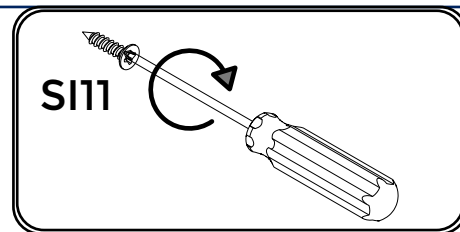
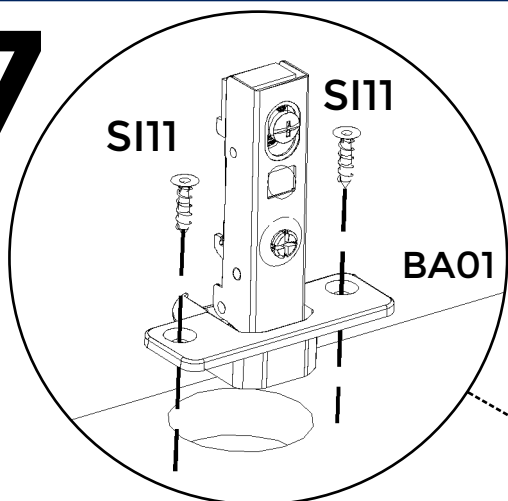
5



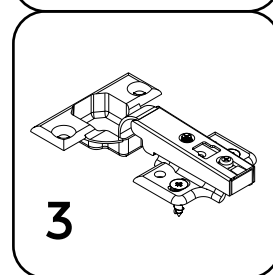
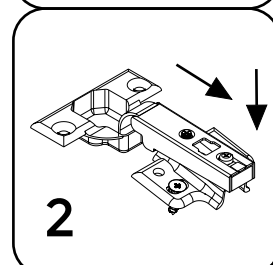
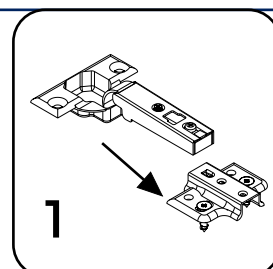
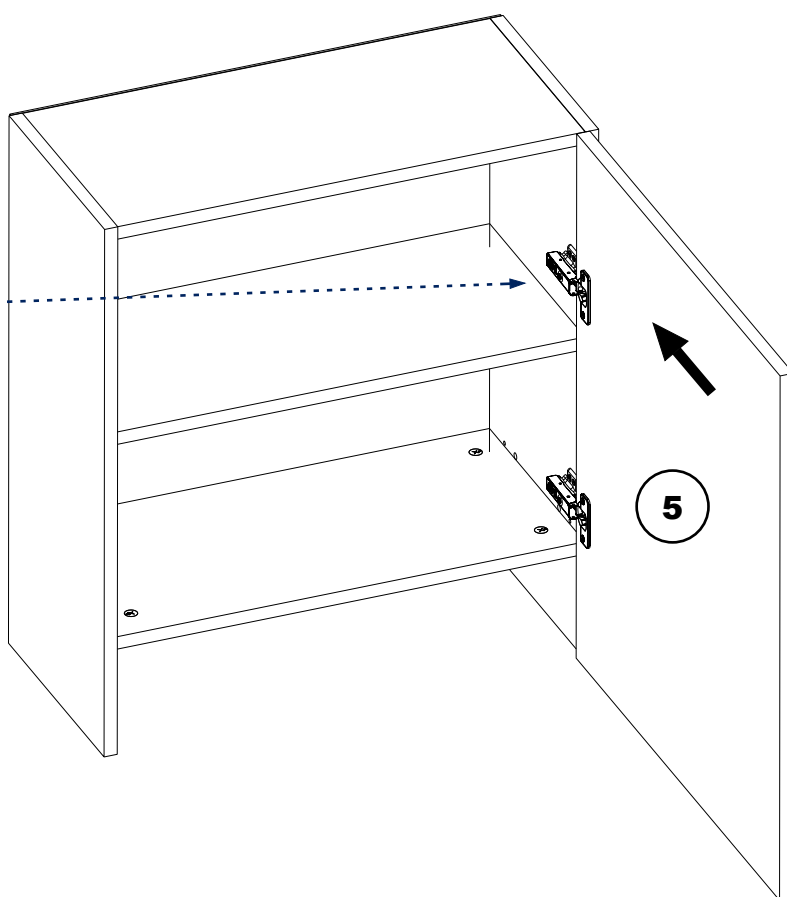
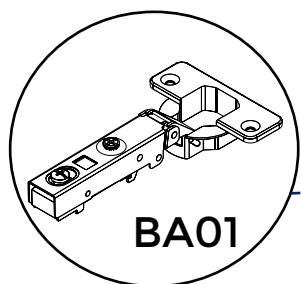
6



7



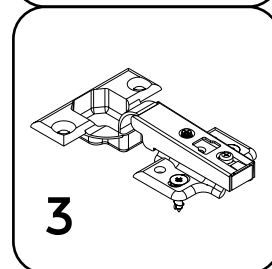
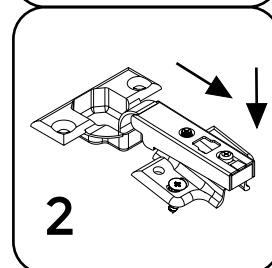
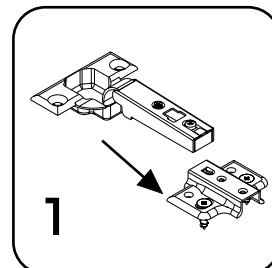
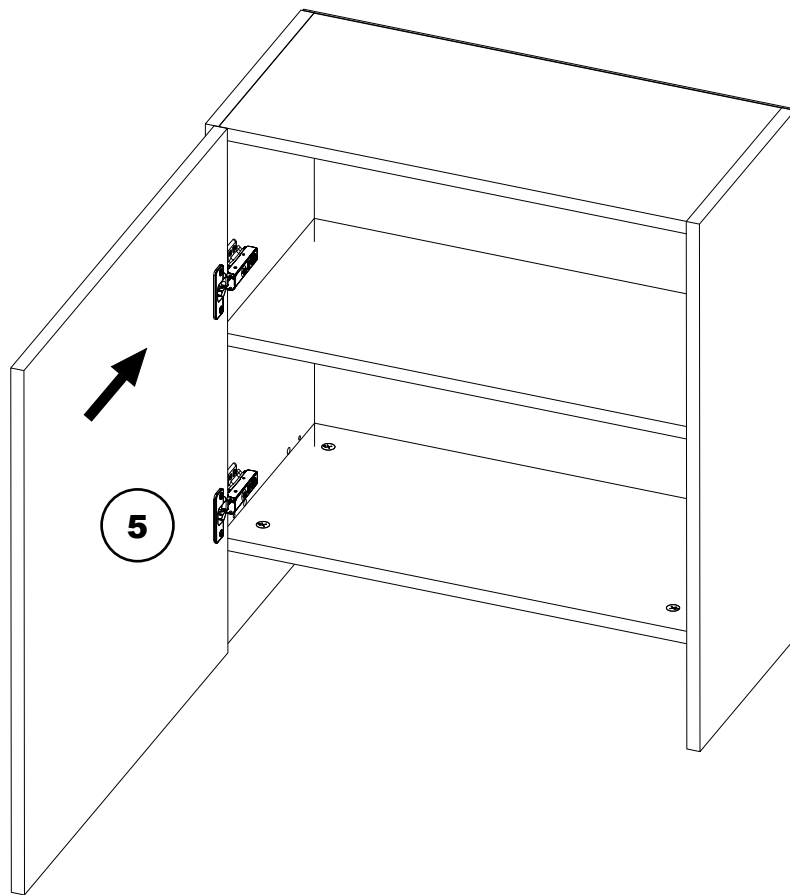
8



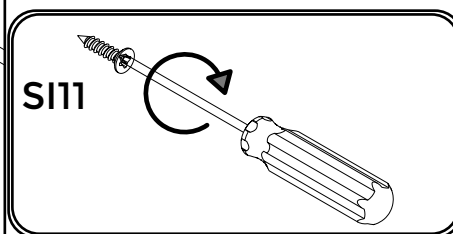
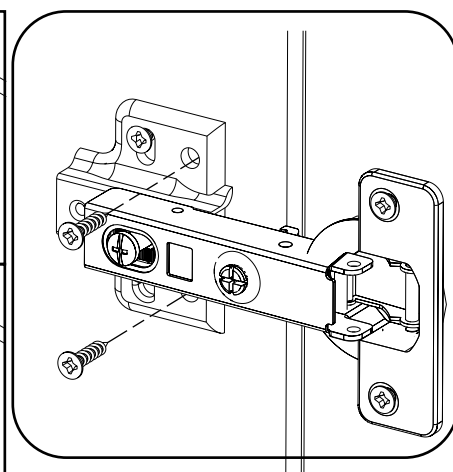
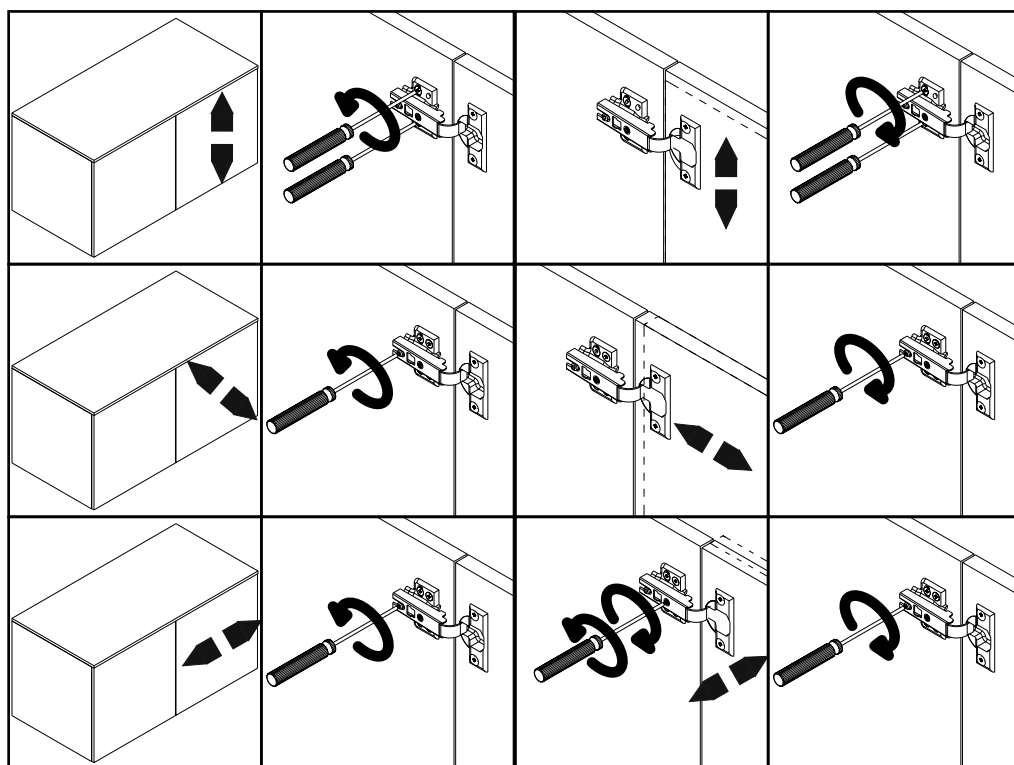
A

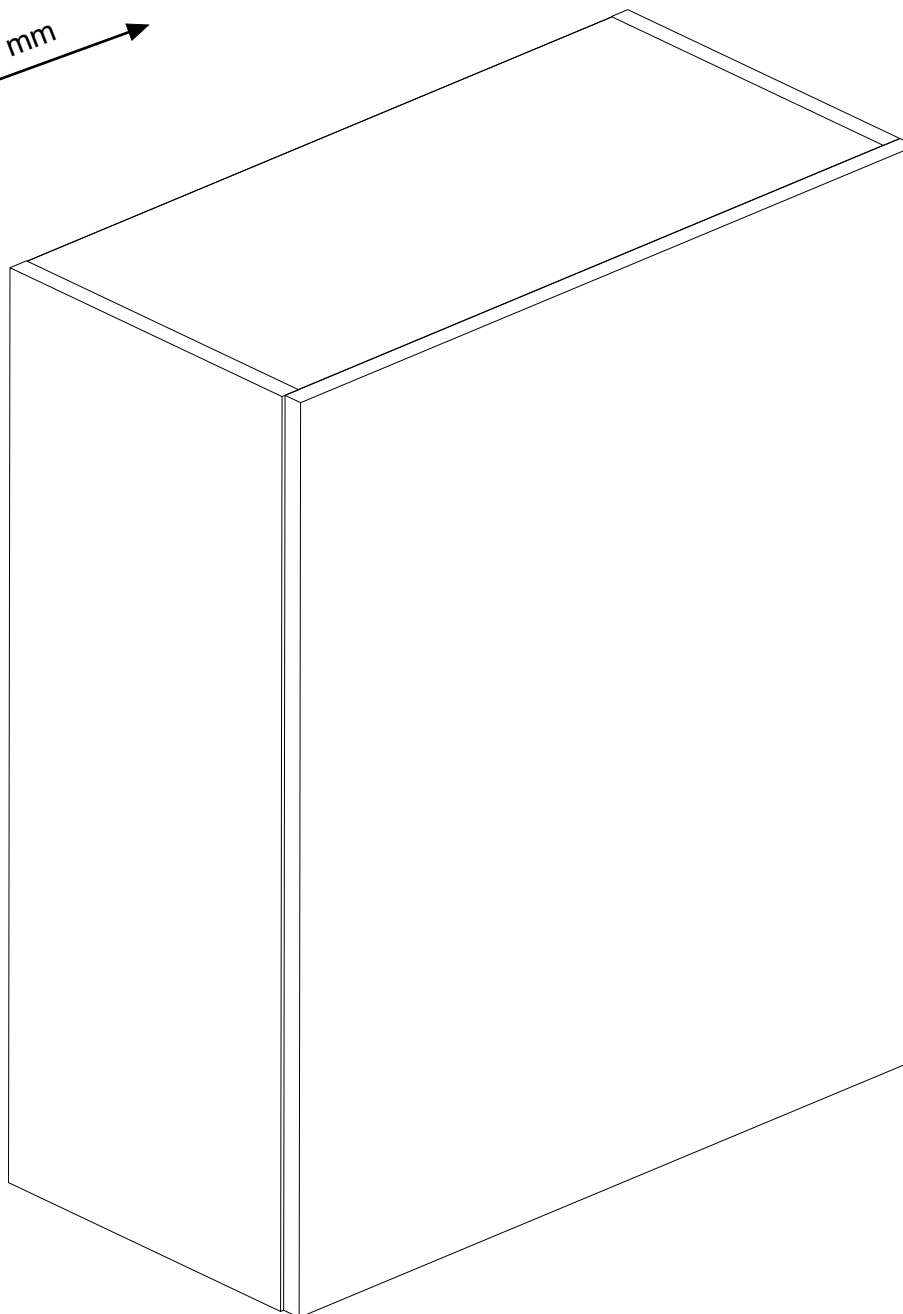
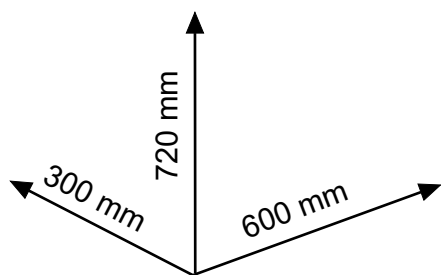
9

B



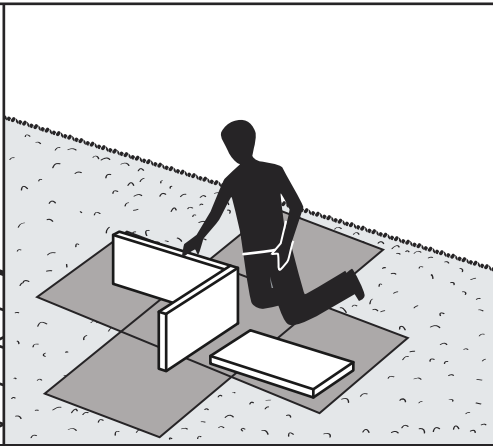
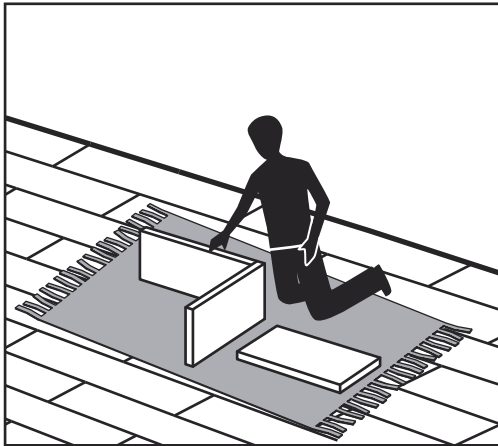
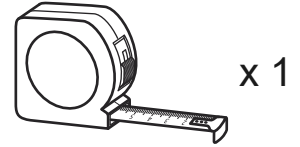
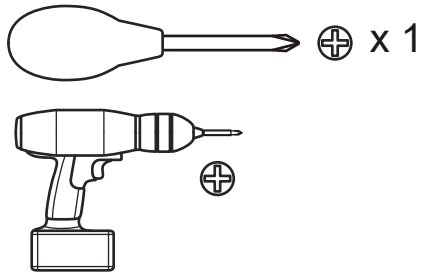
10



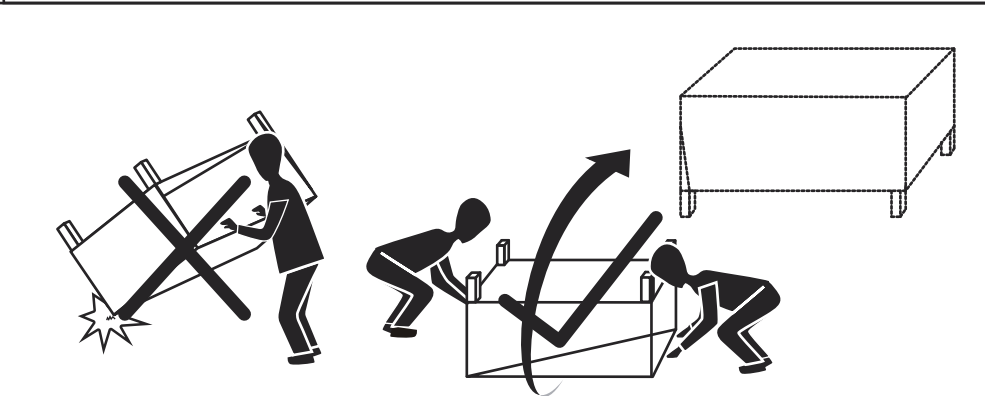
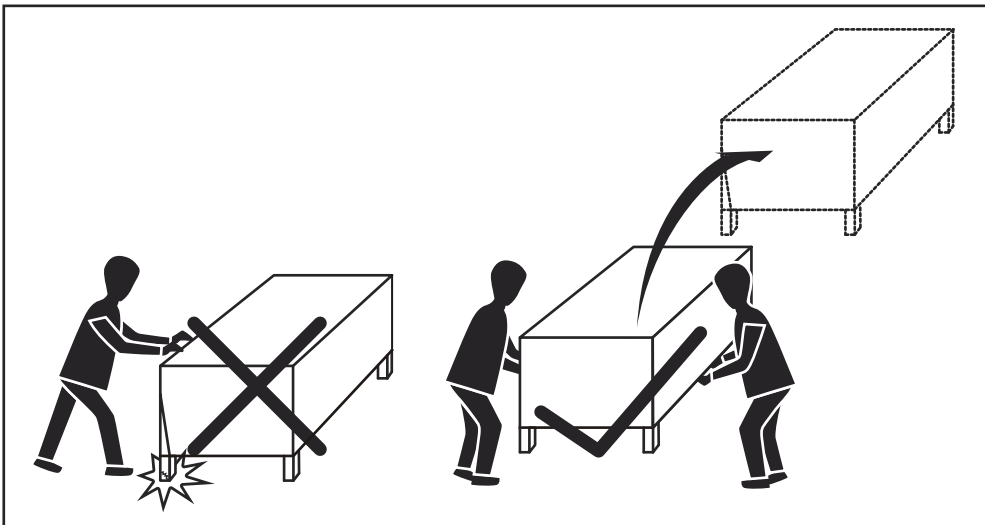
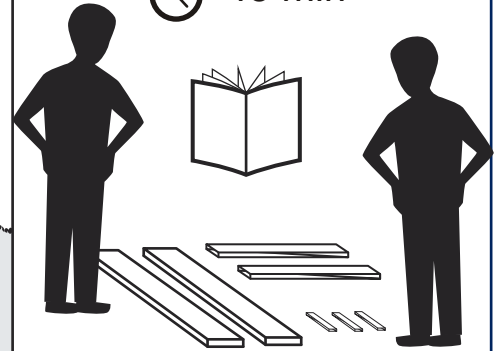


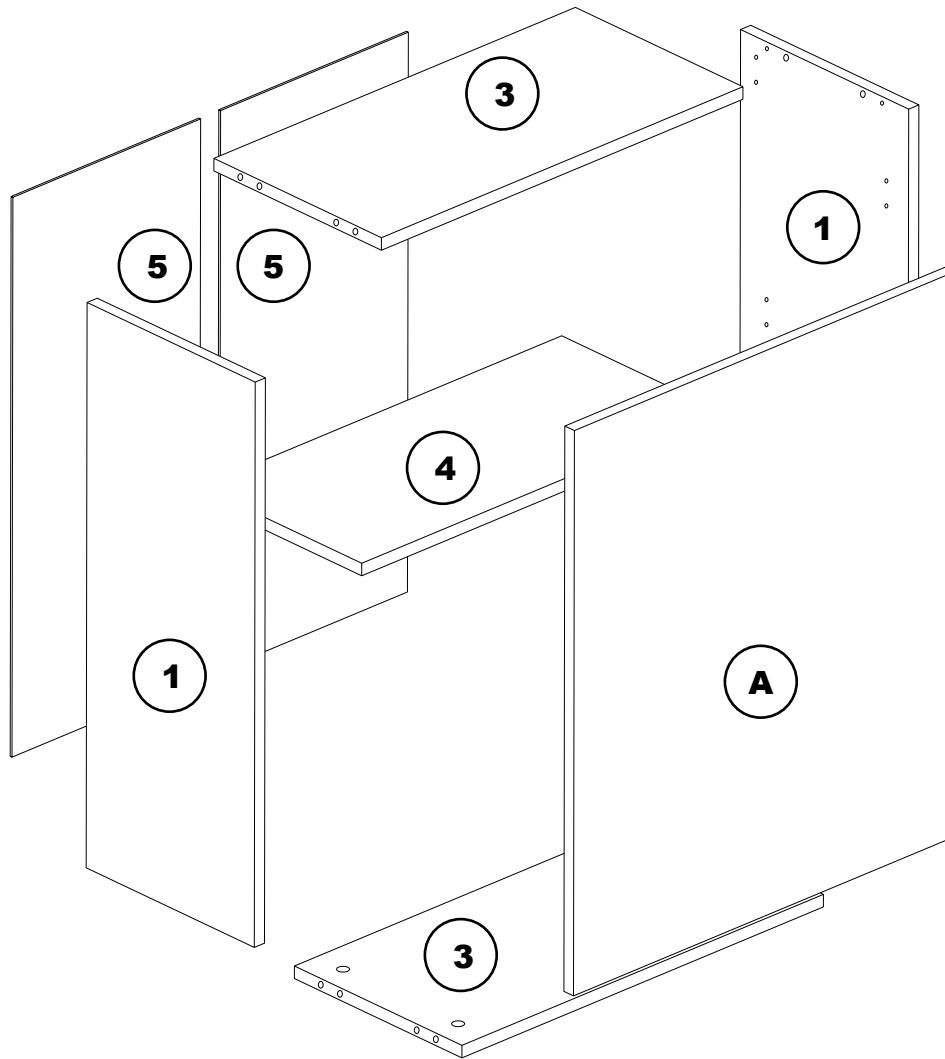
MATERIALE

Fronturi MDF
Carcasa Pal 16 mm
Spate HDF
Cant ABS 0.5 si 1 mm
Elemente de imbinare metalice si din lemn
Balamale cu amortizare
Manere plastic

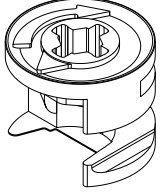
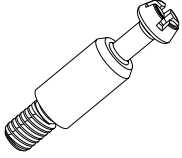
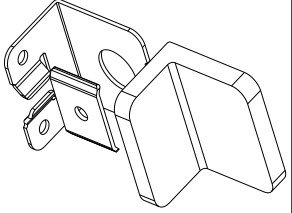
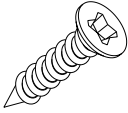
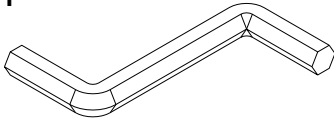
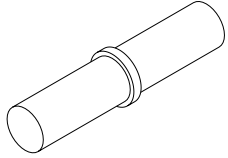
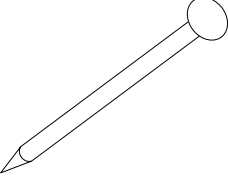
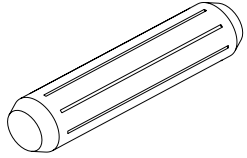
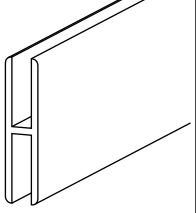
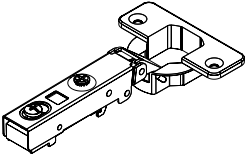
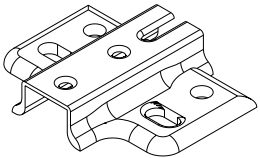


🕒 45 min



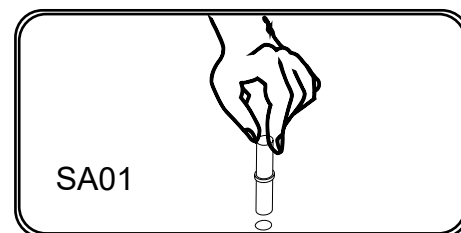
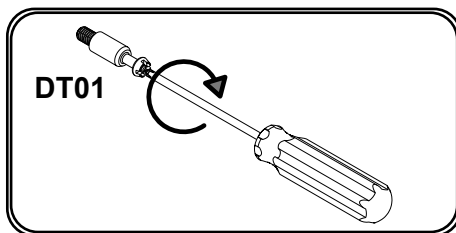
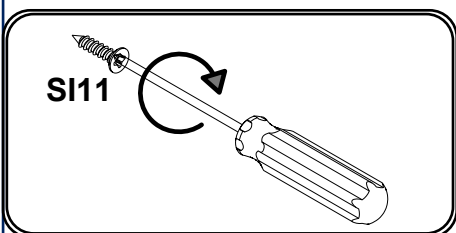
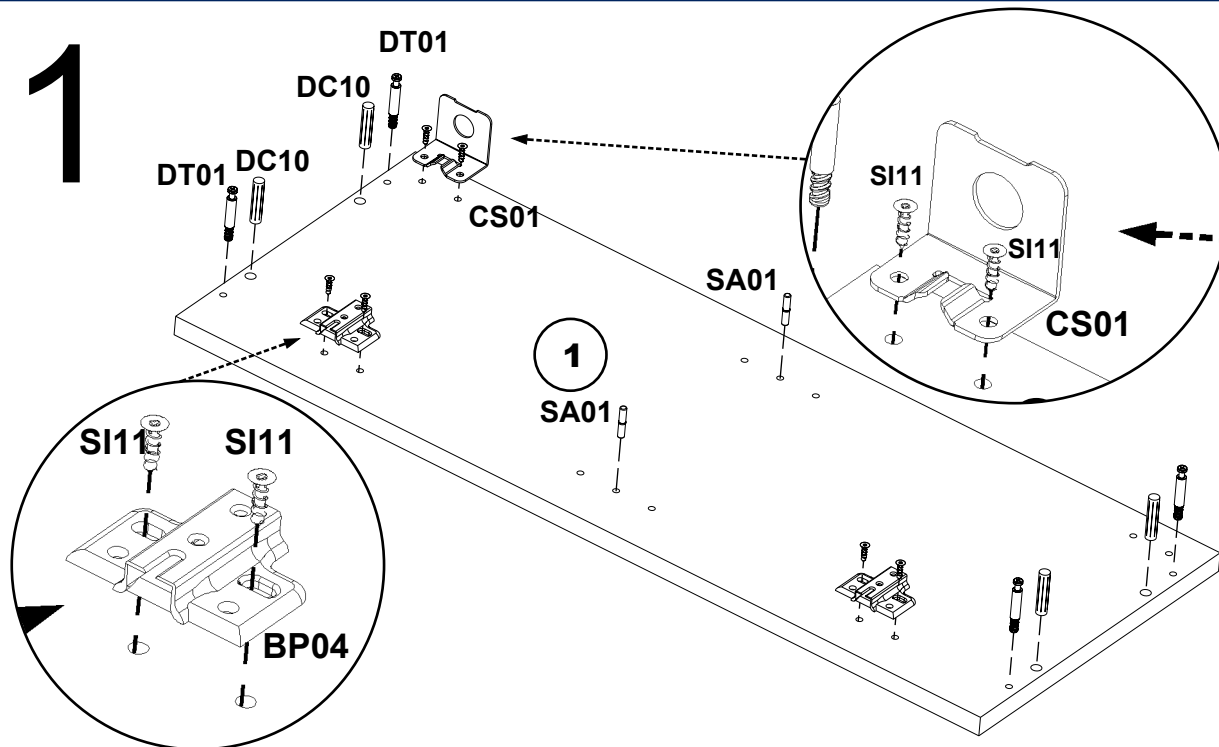


Nr.	Cod	Buc
1	0901	2
3	1103	2
4	1104	1
5	1105	2
A	9092	1

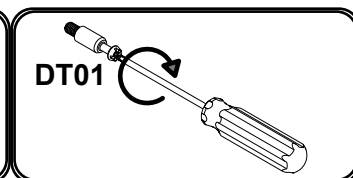
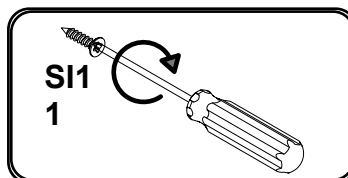
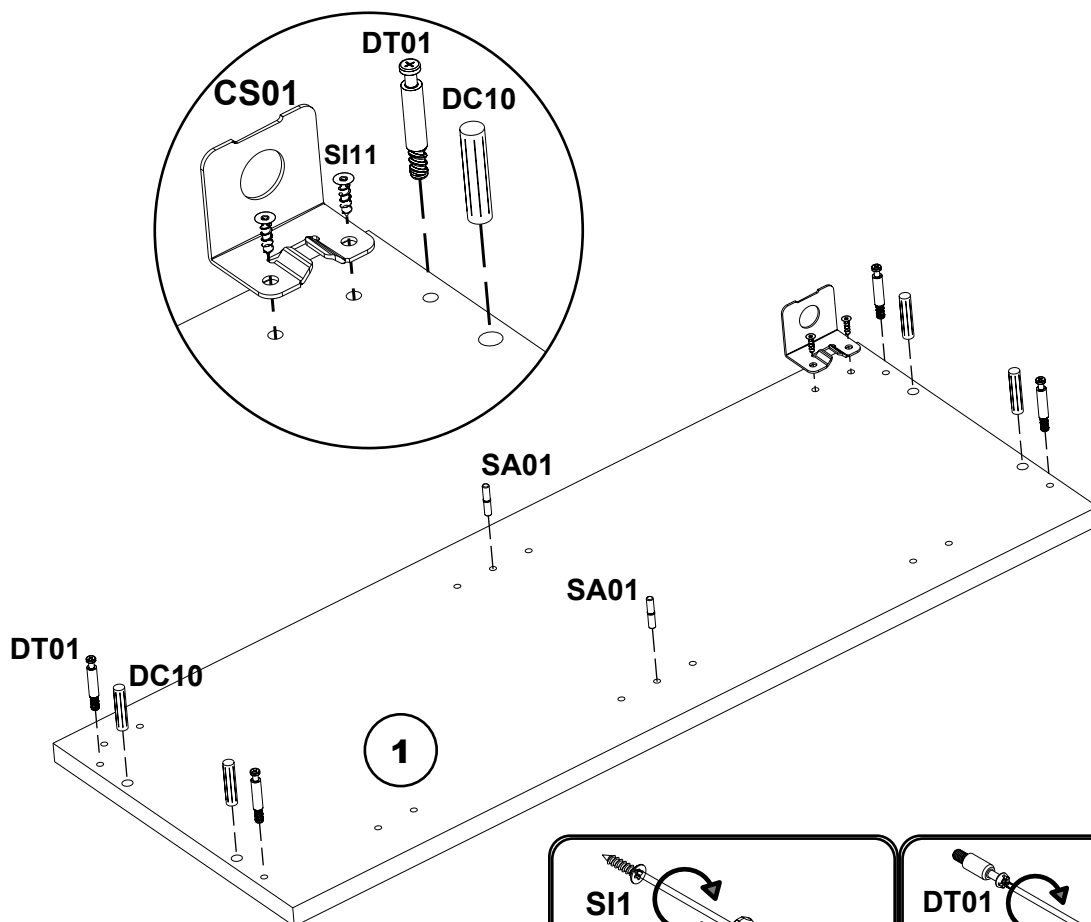
DC01 x8 	DT01 x8 	CS01 X2 
SI11 x16 	HH04 x1 	SA01 x4 
CT01 ≈ 26 	DC10 x8 	PH01 x1 
BA01 x2 	BP04 x2 	

1

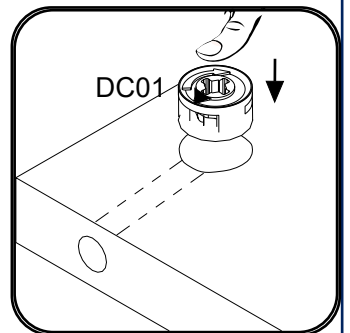
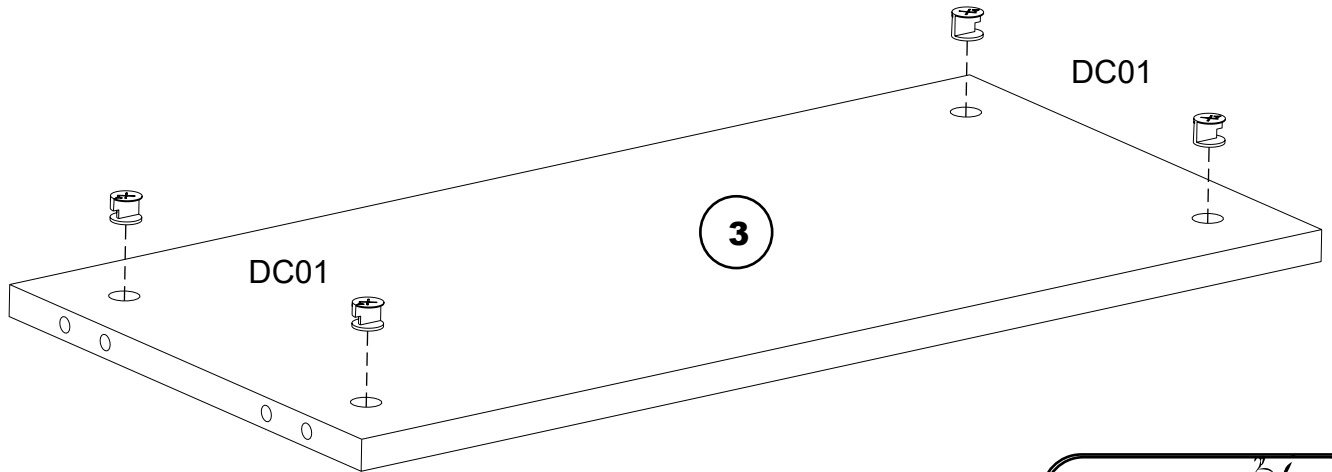
A



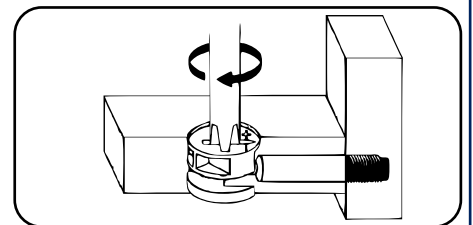
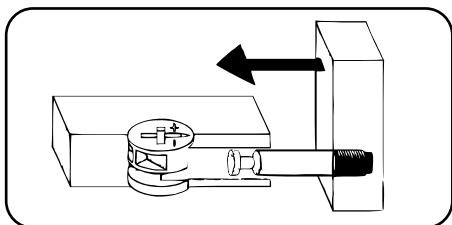
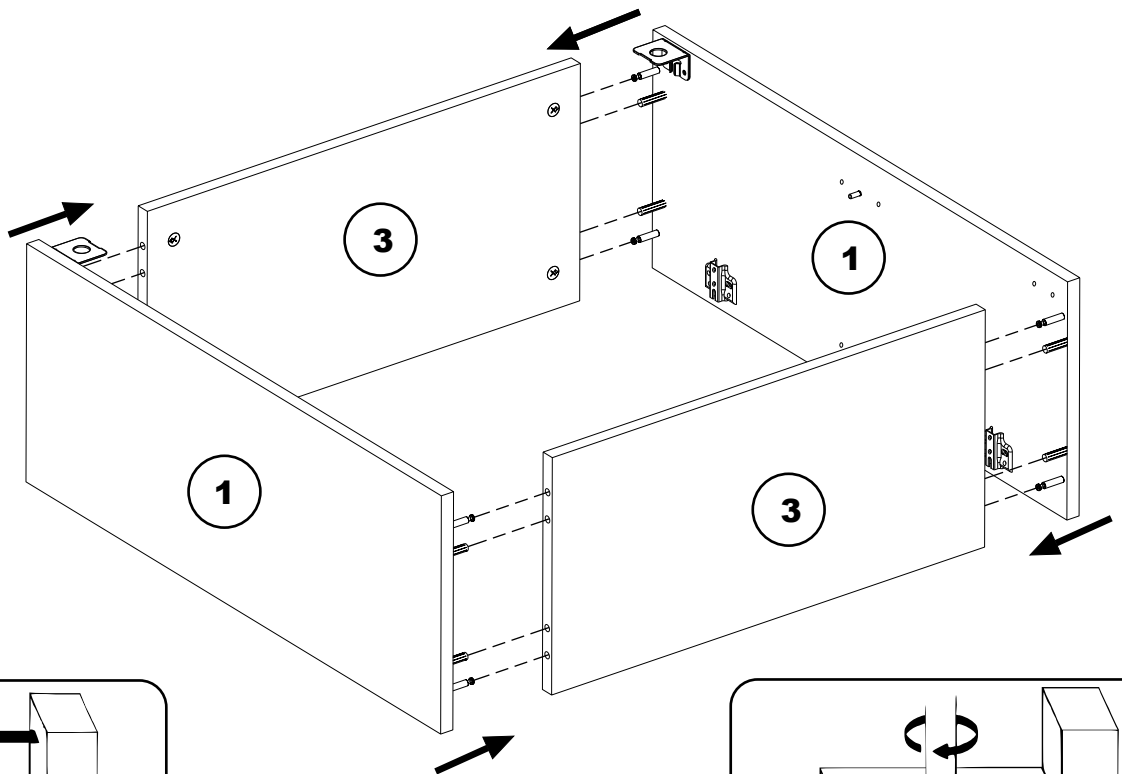
2



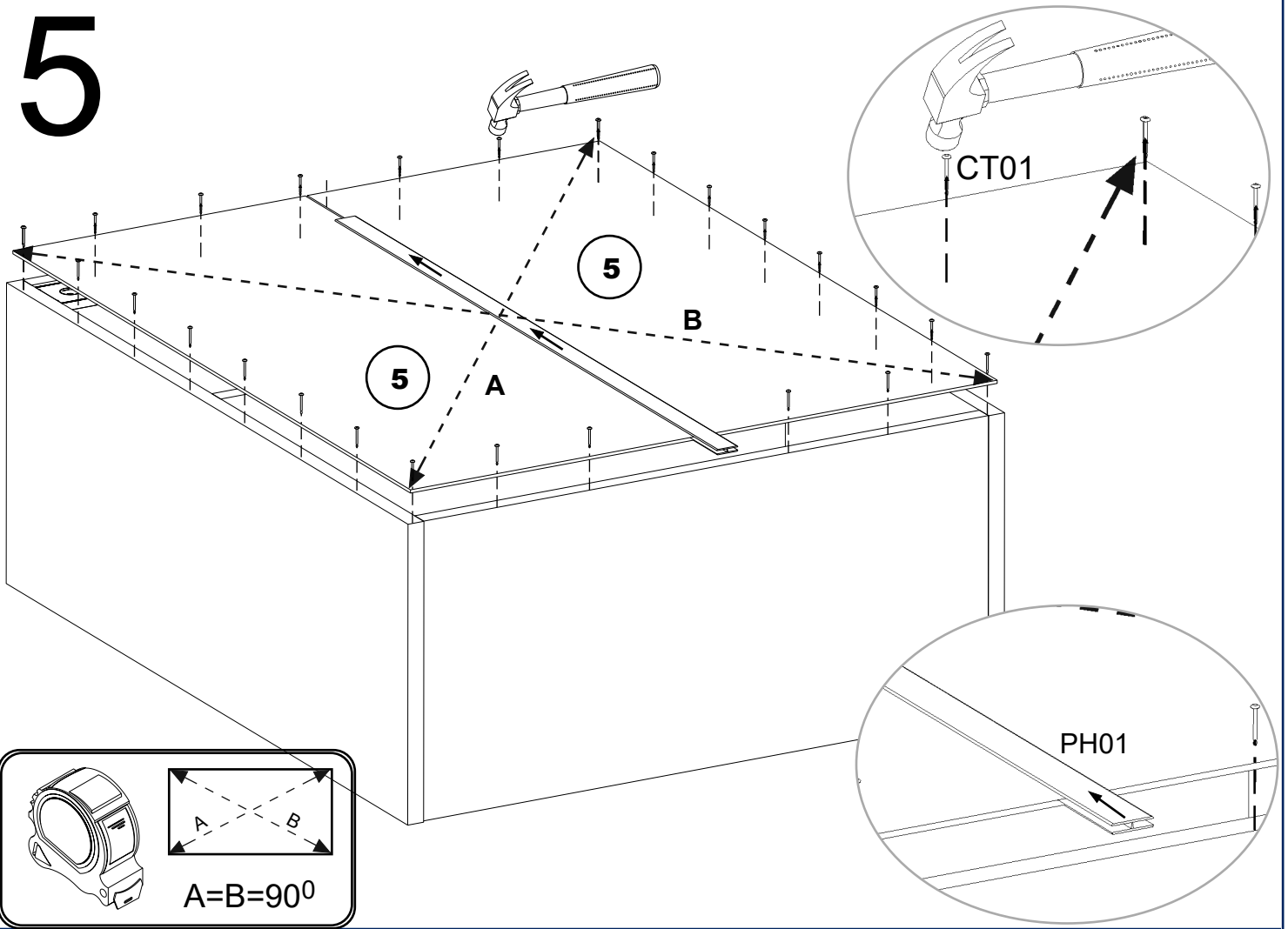
3



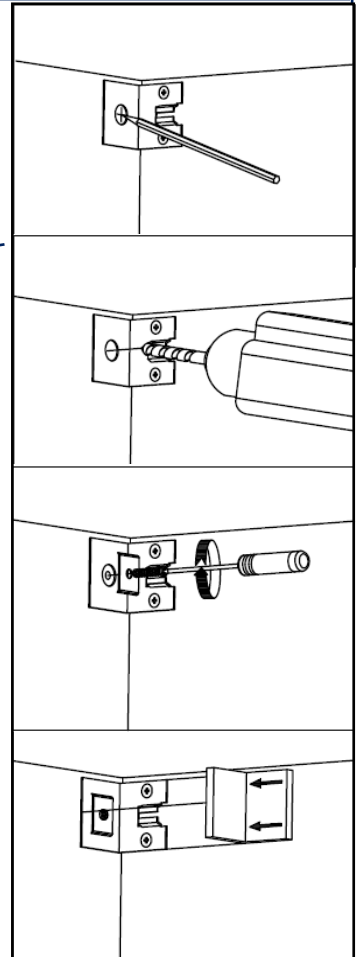
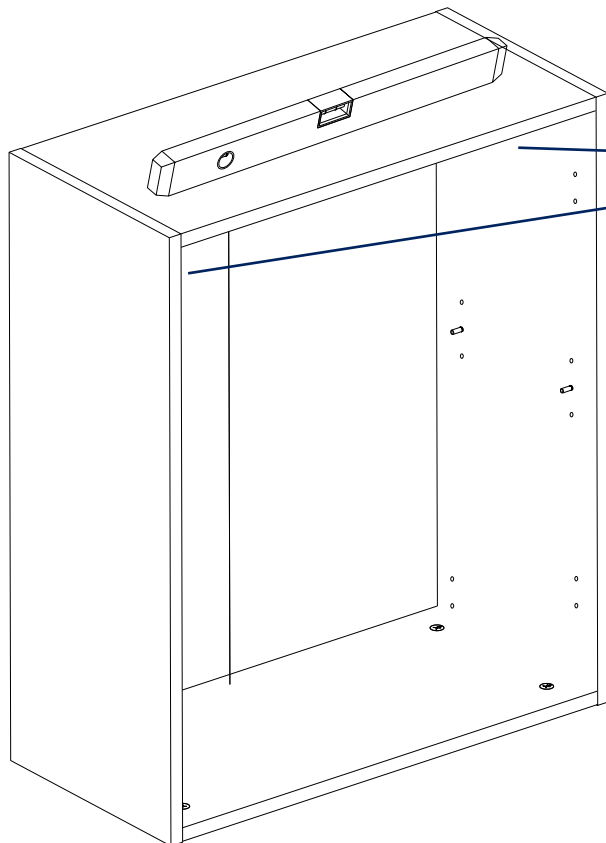
4



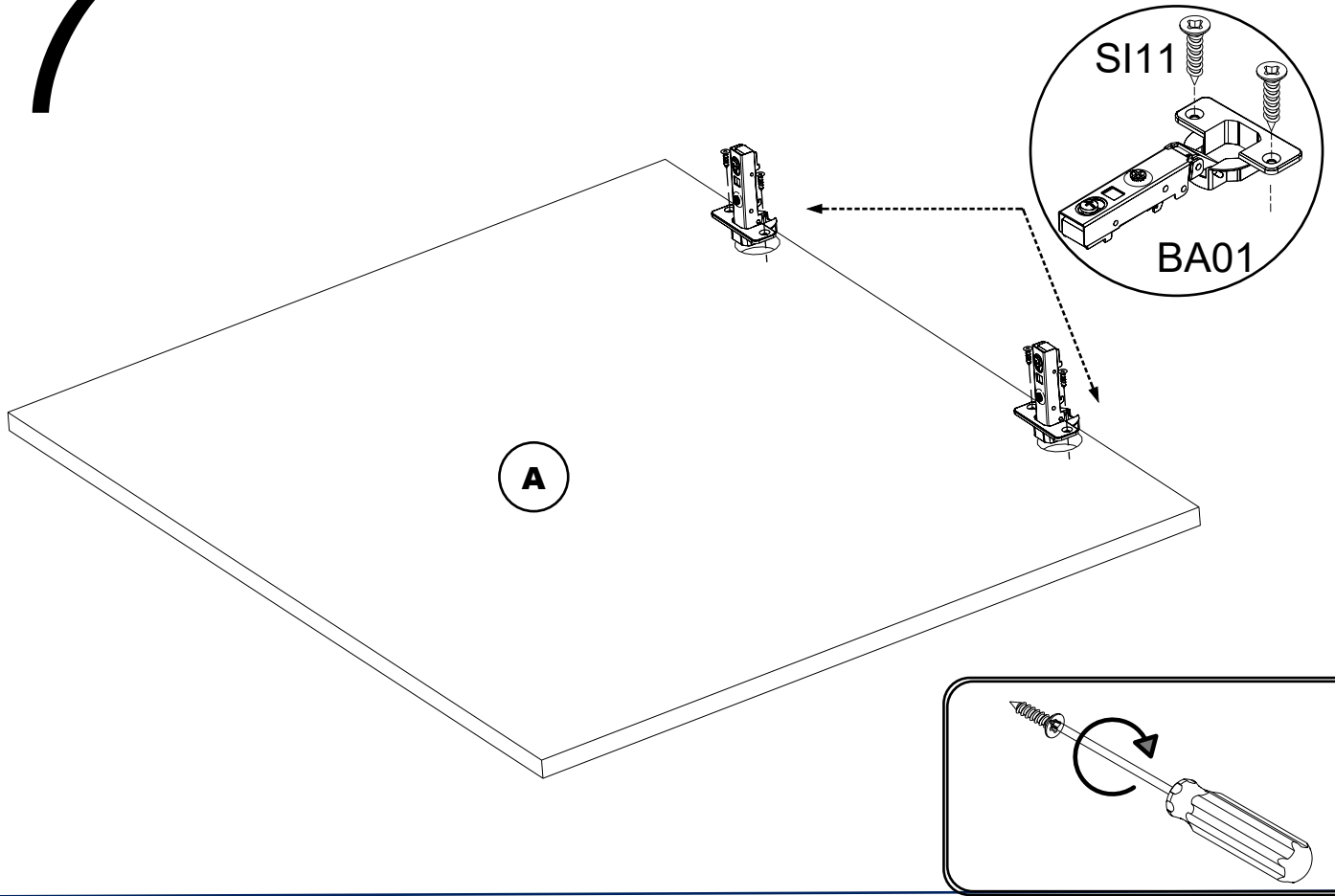
5



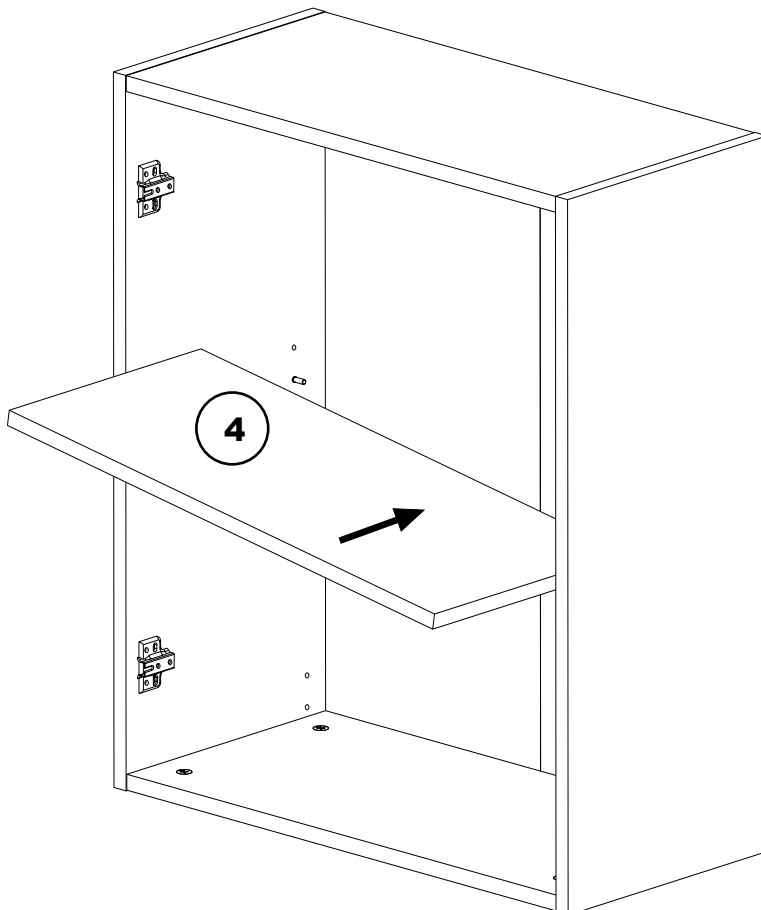
6



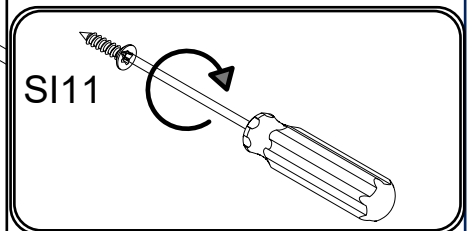
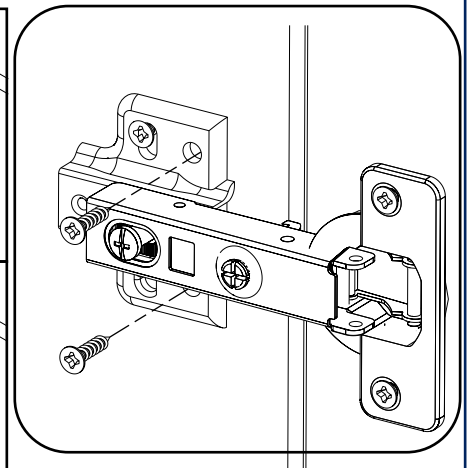
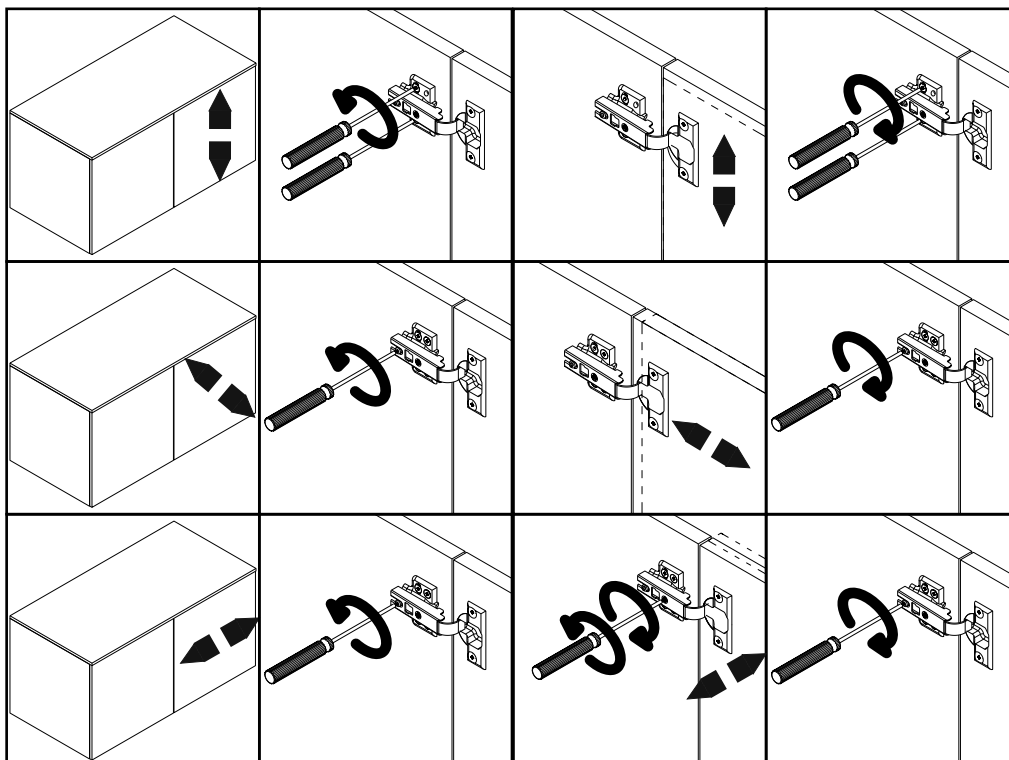
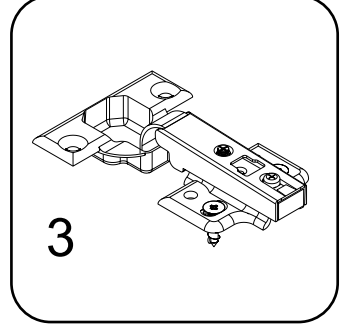
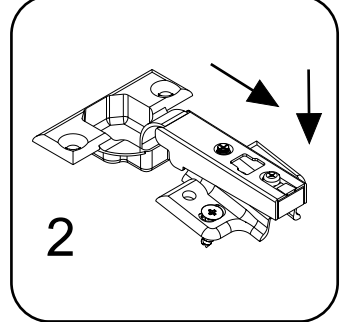
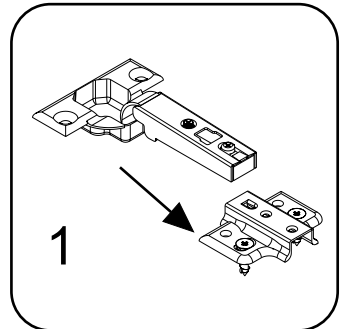
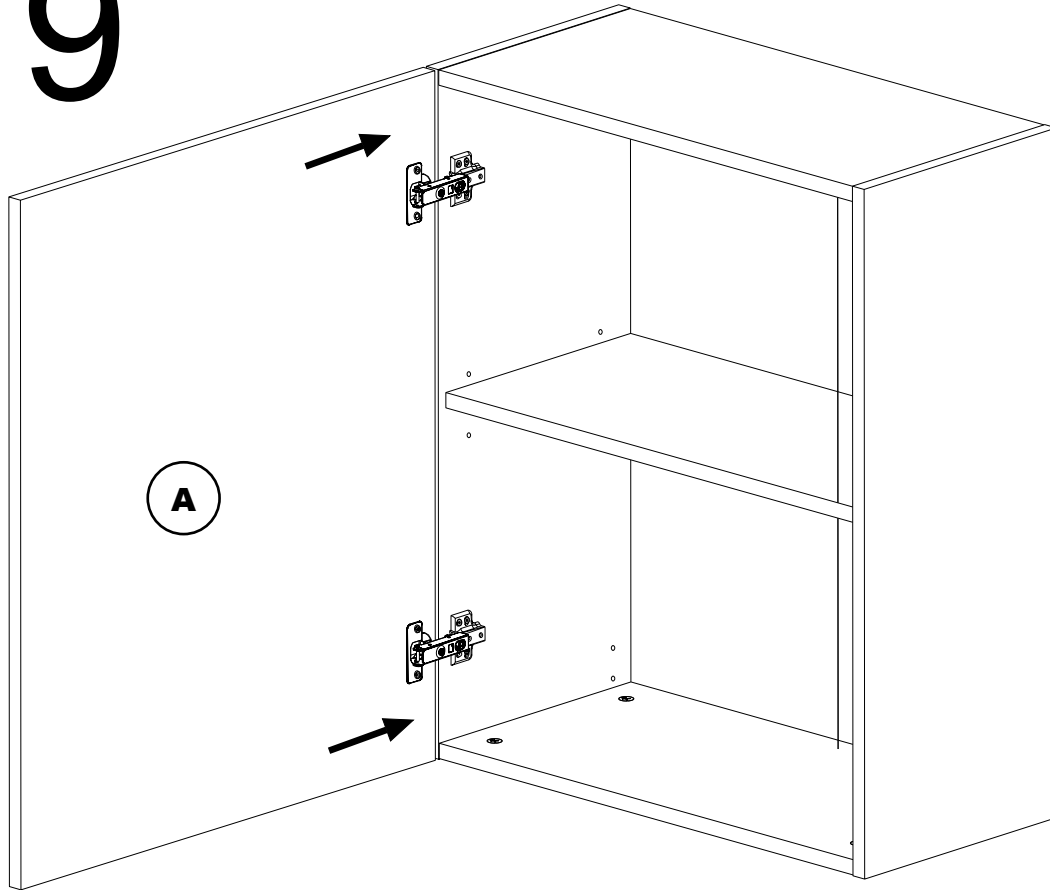
7



8

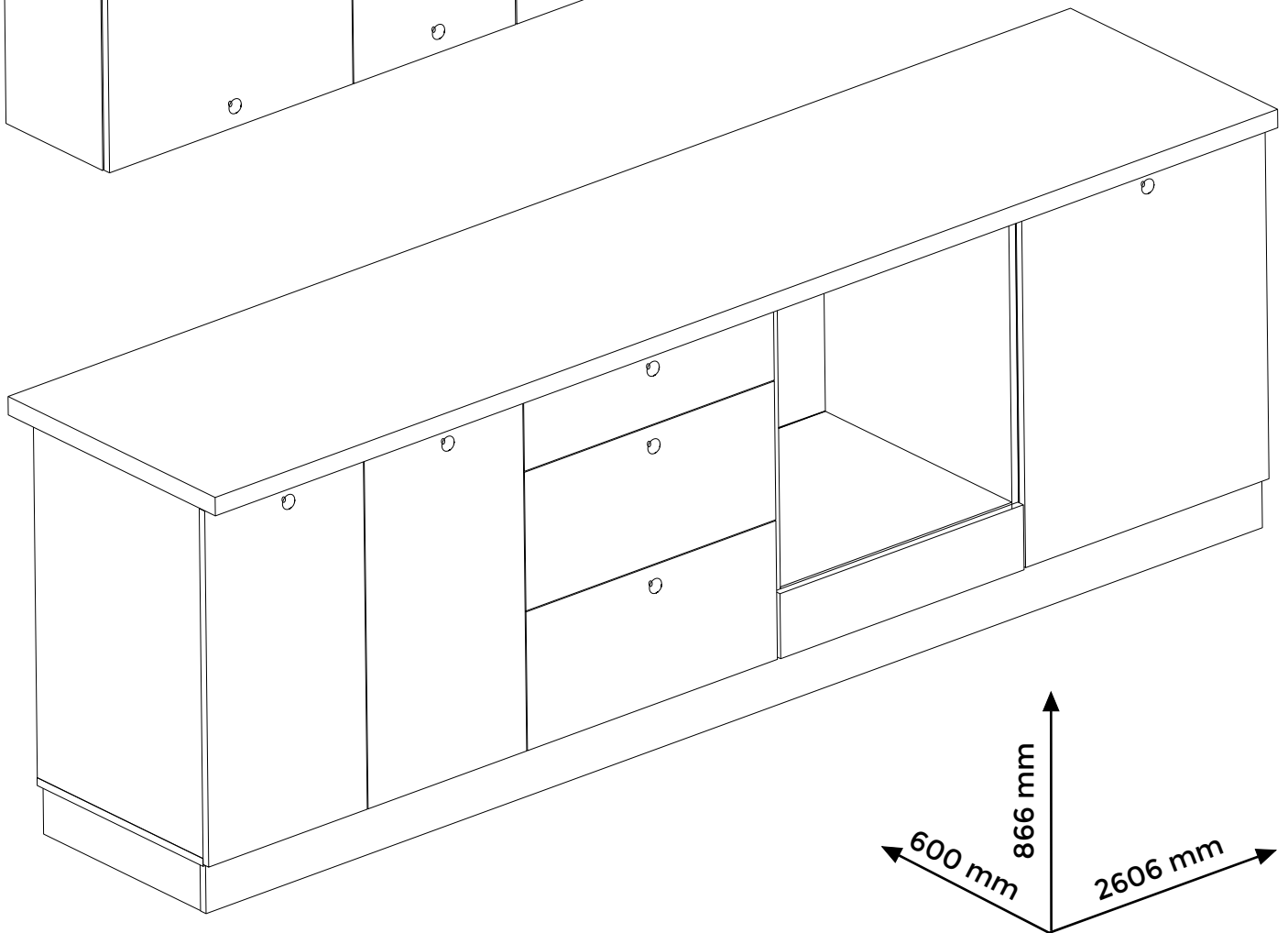
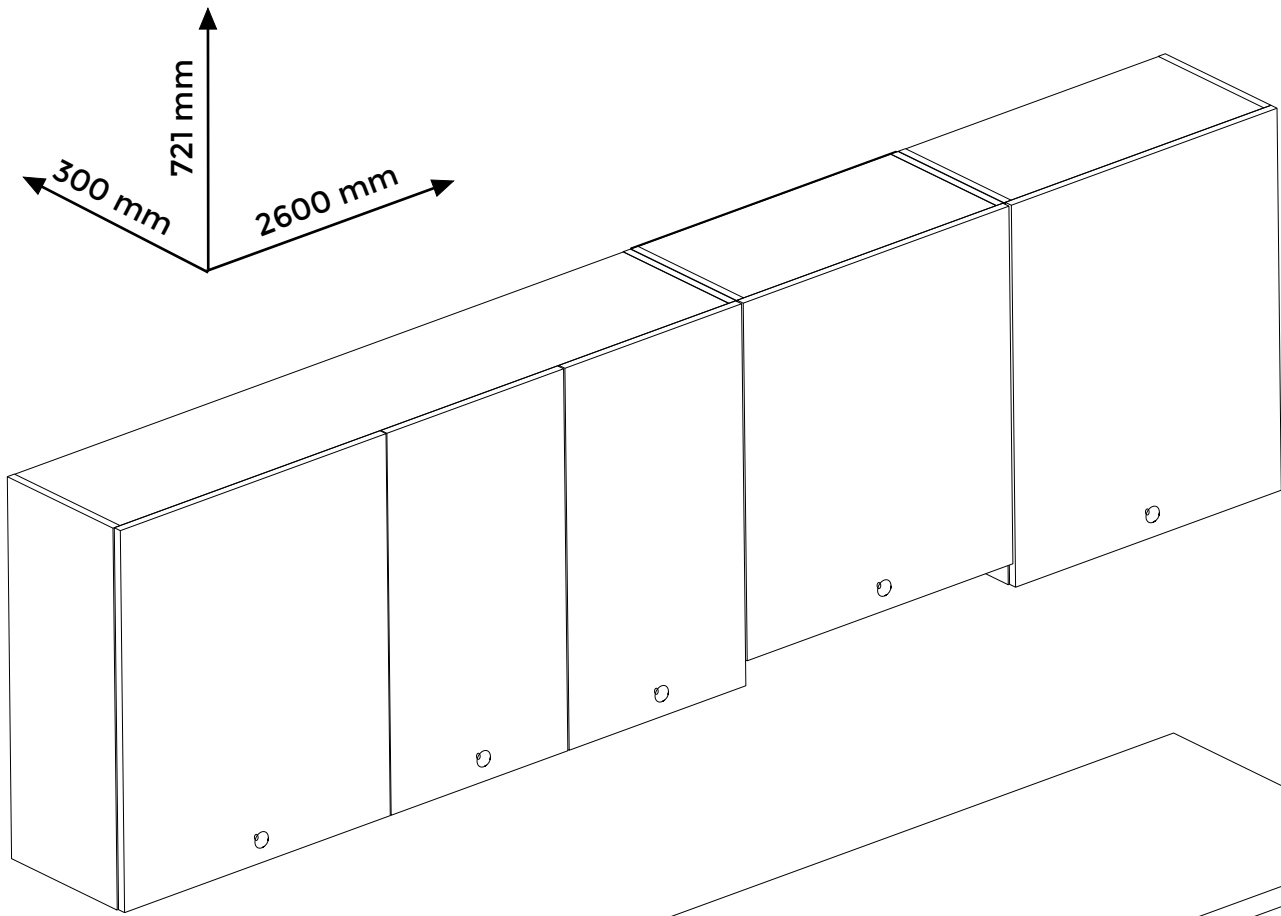


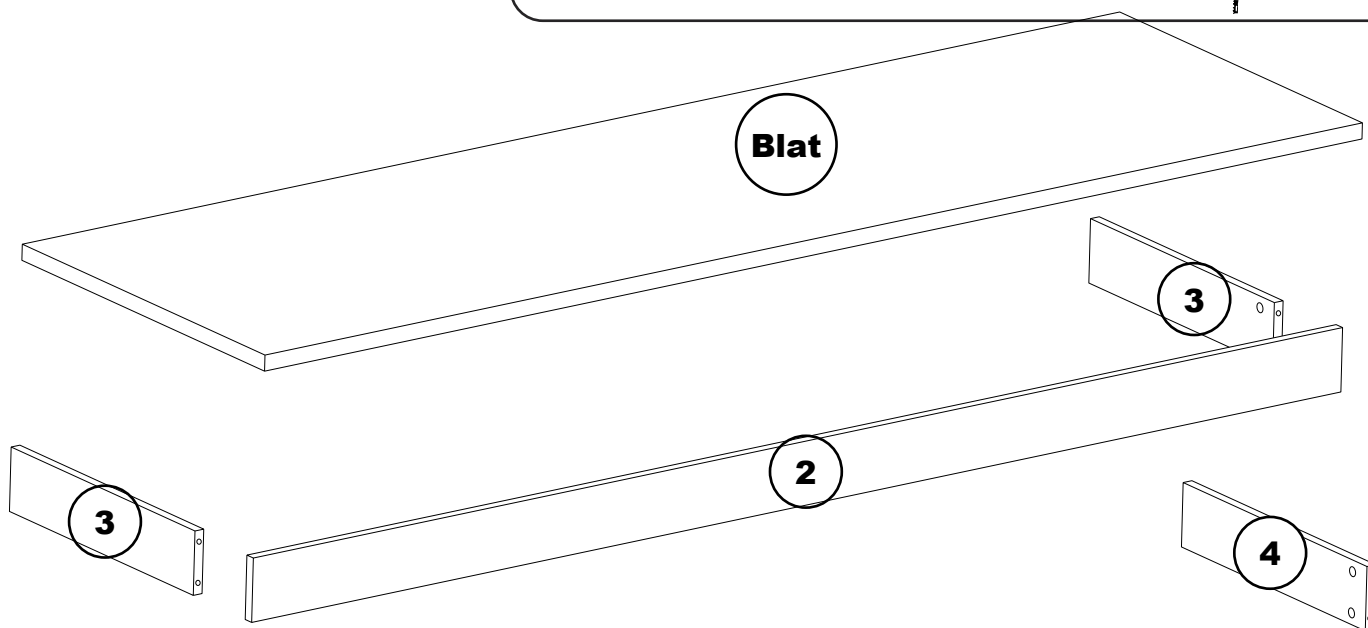
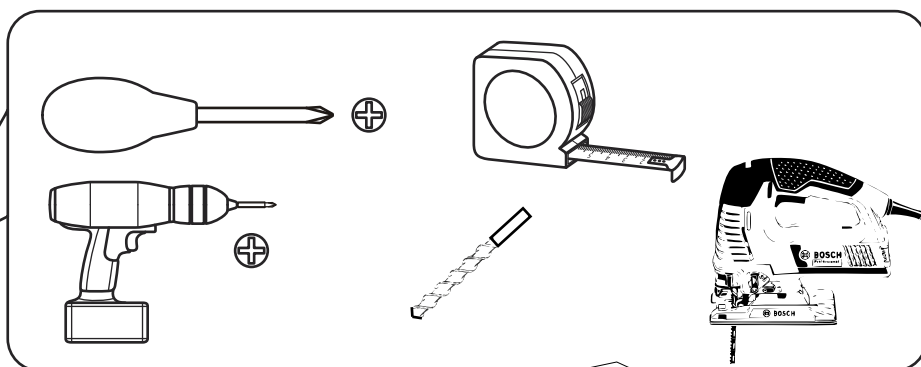
9




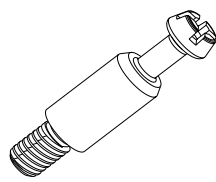
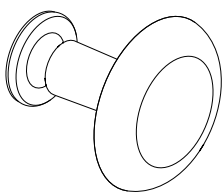
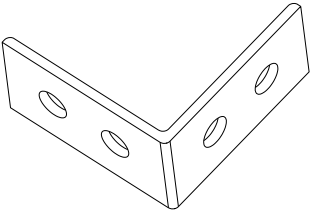
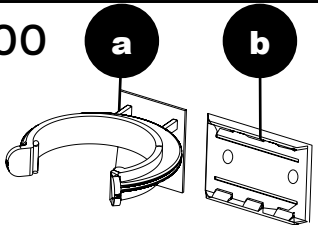
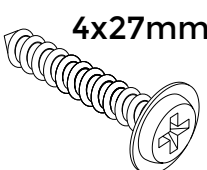
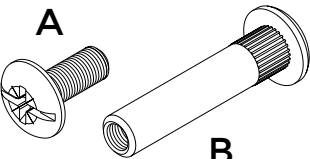
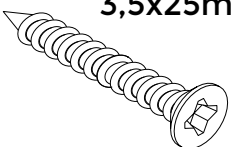
Bucataria BERDA

ASAMBLARE





Nr	Cod	Buc
1	BLAT	1
2	1801	1
3	1802	2
4	1803	1

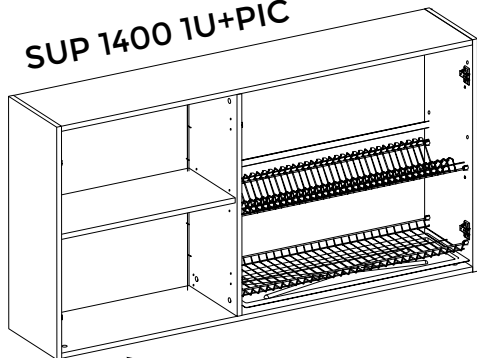
DC03  x4		DT01  x4
BP 01  x 11	CL30  x 6	CP 100  x6
SM27  4x27mm x 11	SC01  A B x8	SI25  3,5x25mm x 17

Bucataria BERDA

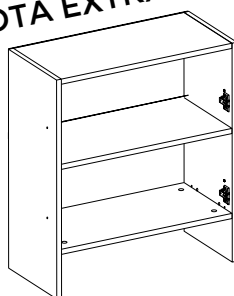
ASAMBLARE

1

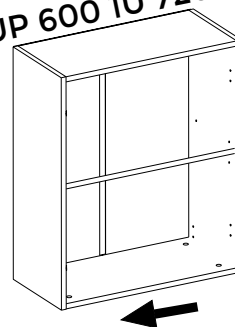
SUP 1400 1U+PIC



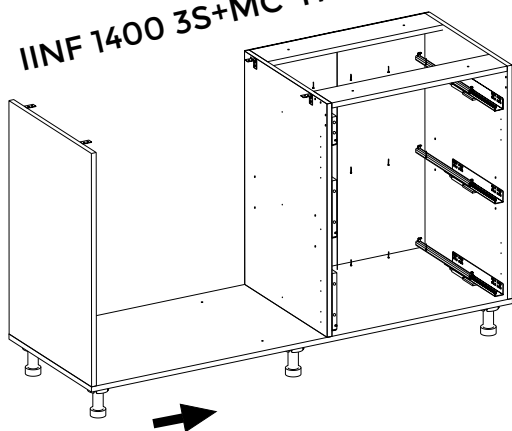
SUP HOTA EXTRACTIE



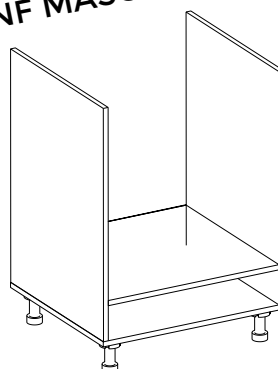
SUP 600 1U 720



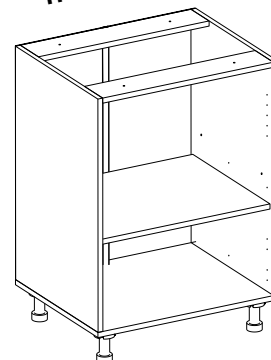
IINF 1400 3S+MC H



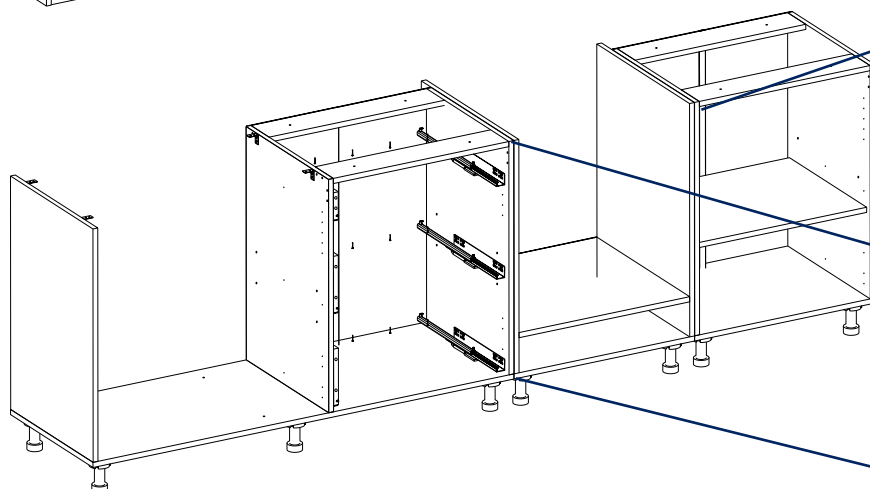
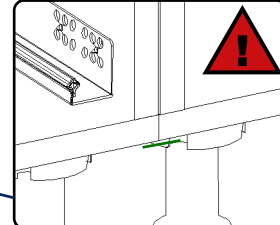
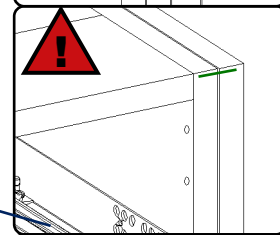
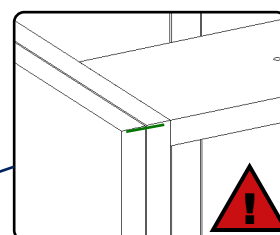
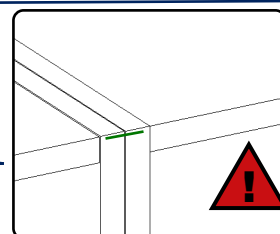
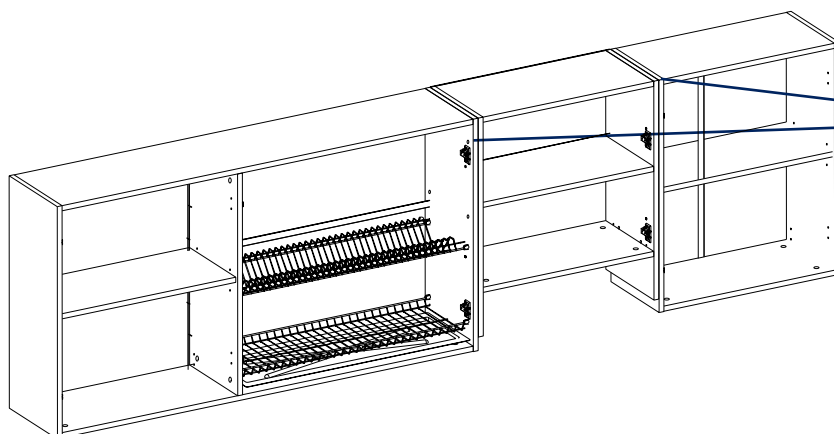
INF MASCA CUP.



INF 600 1U



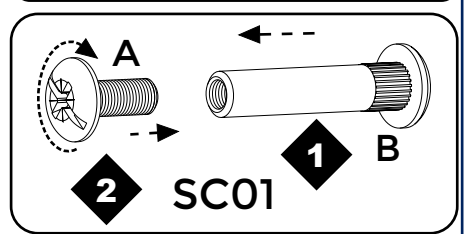
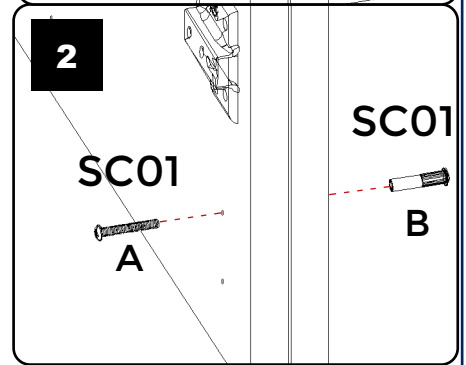
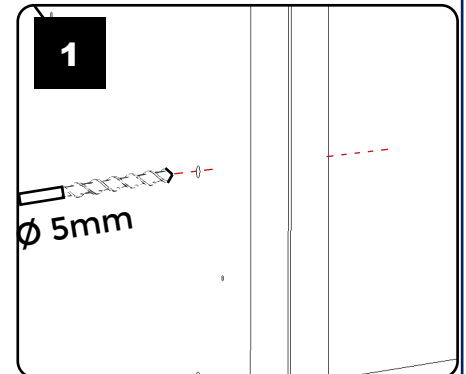
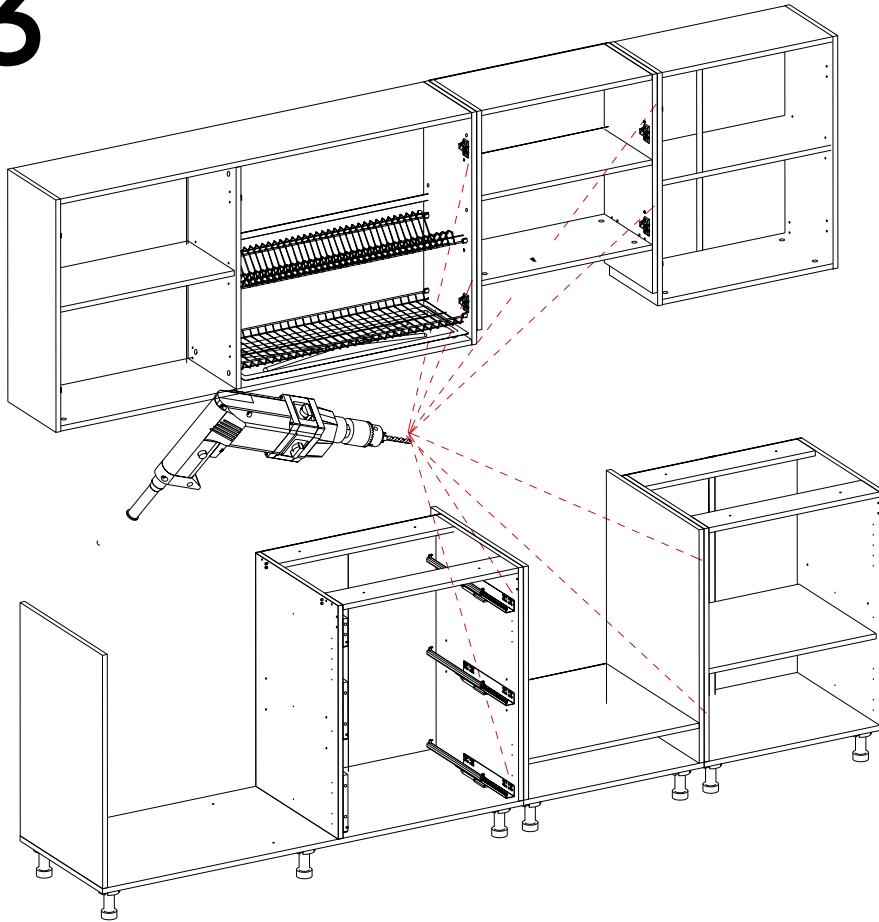
2



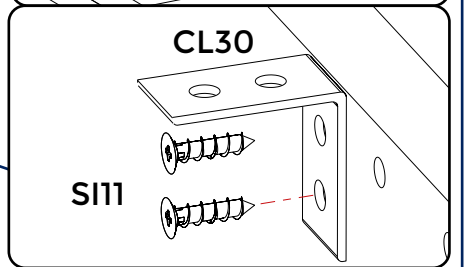
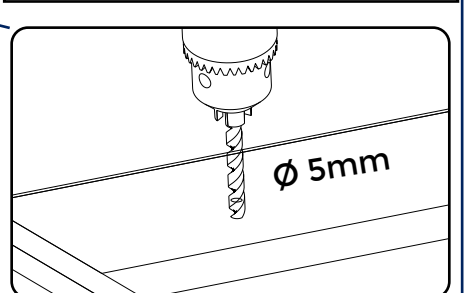
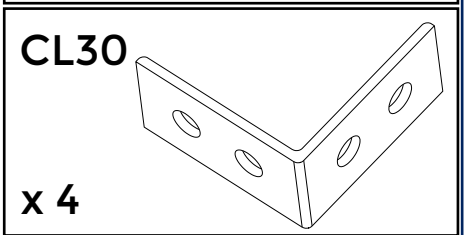
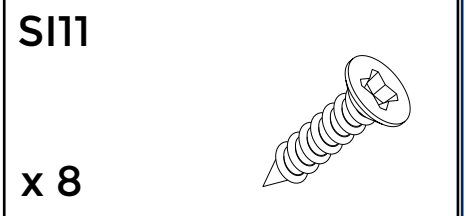
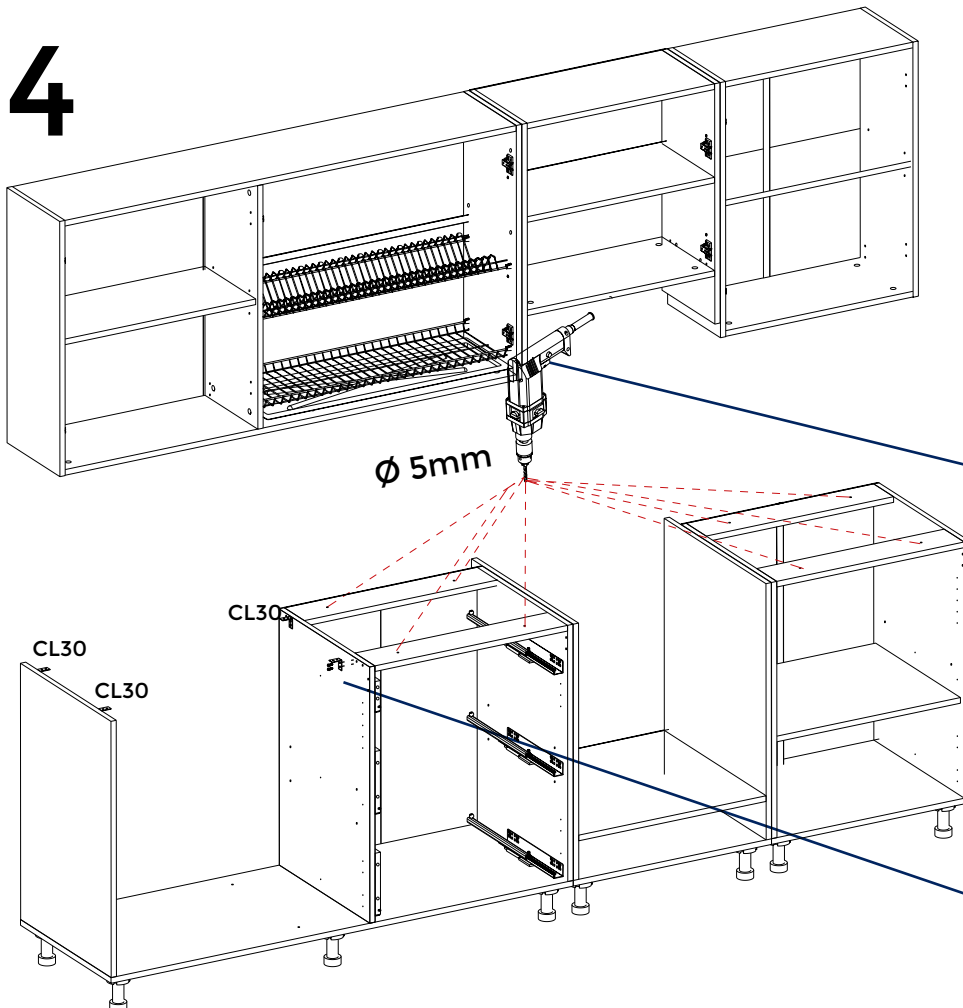
Bucataria BERDA

ASAMBLARE

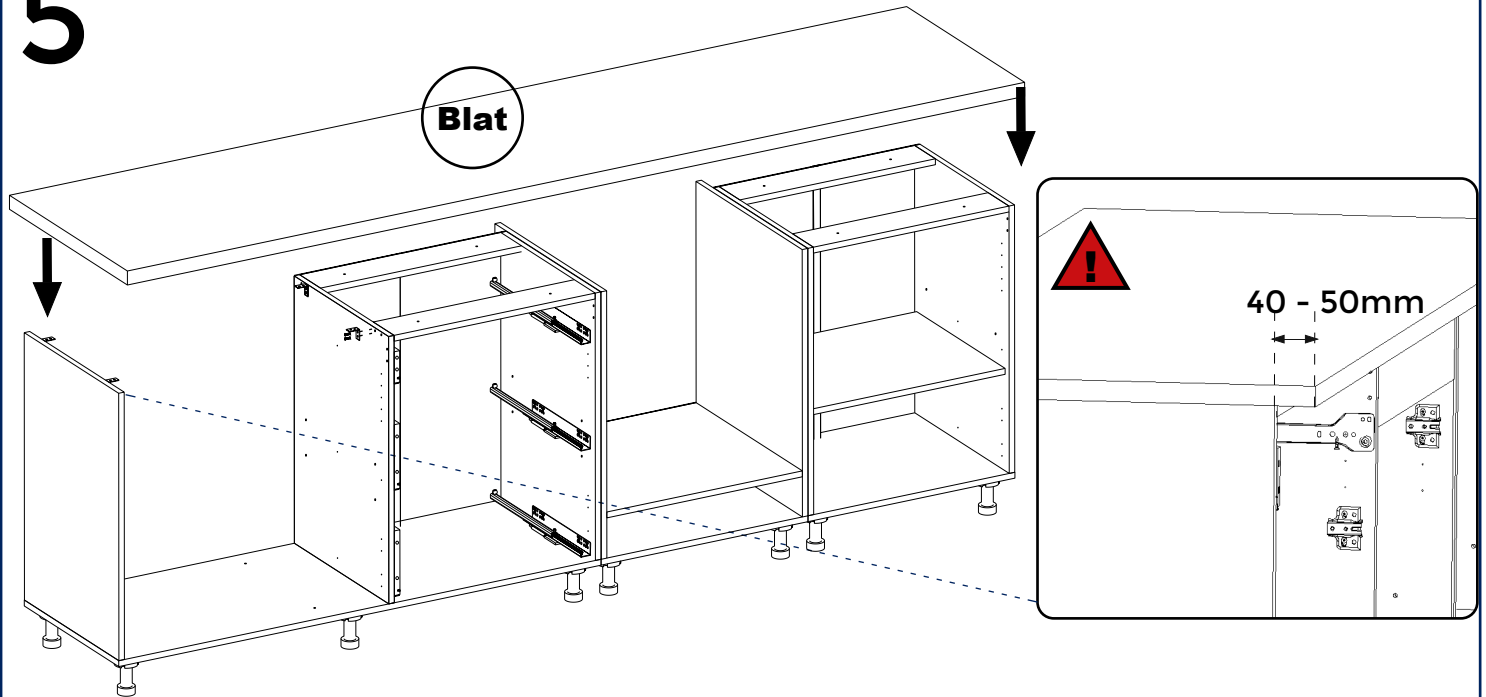
3



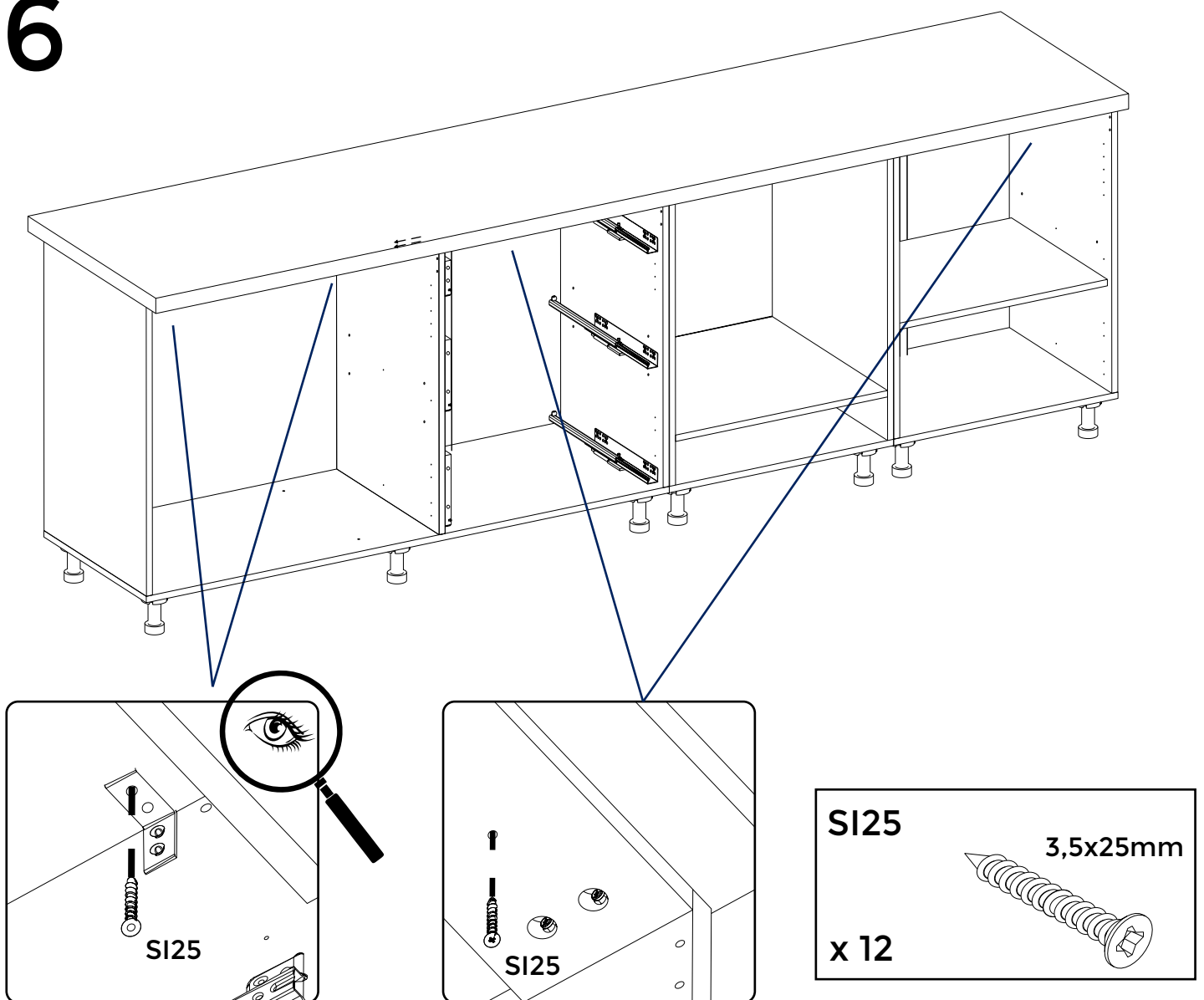
4



5



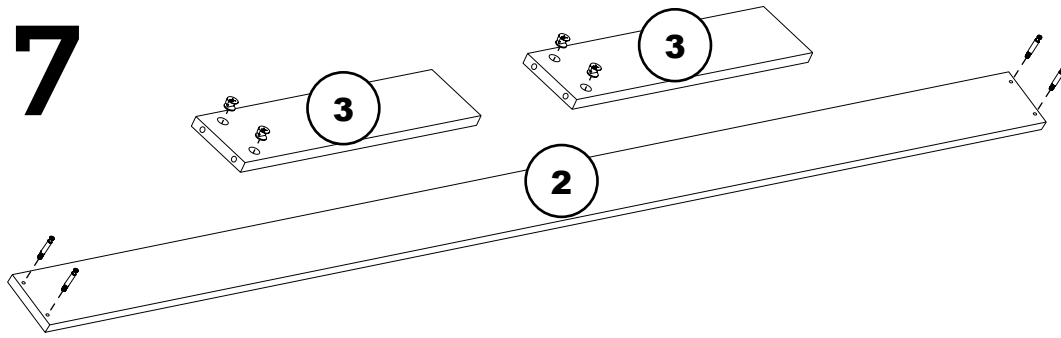
6



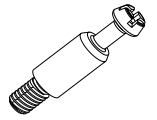
Bucataria BERDA

ASAMBLARE

7

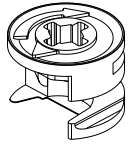


DT01



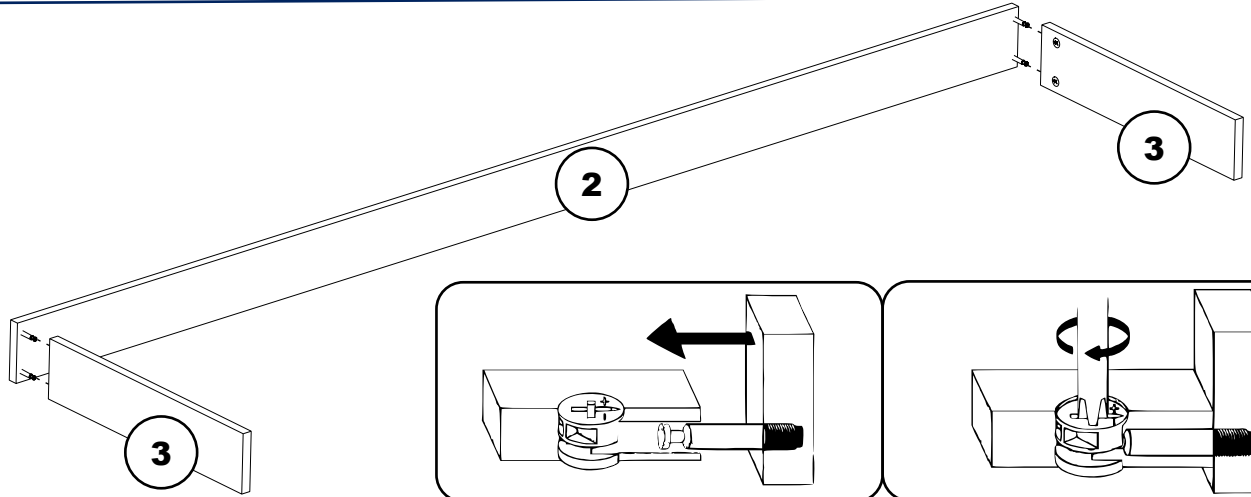
X4

DC01

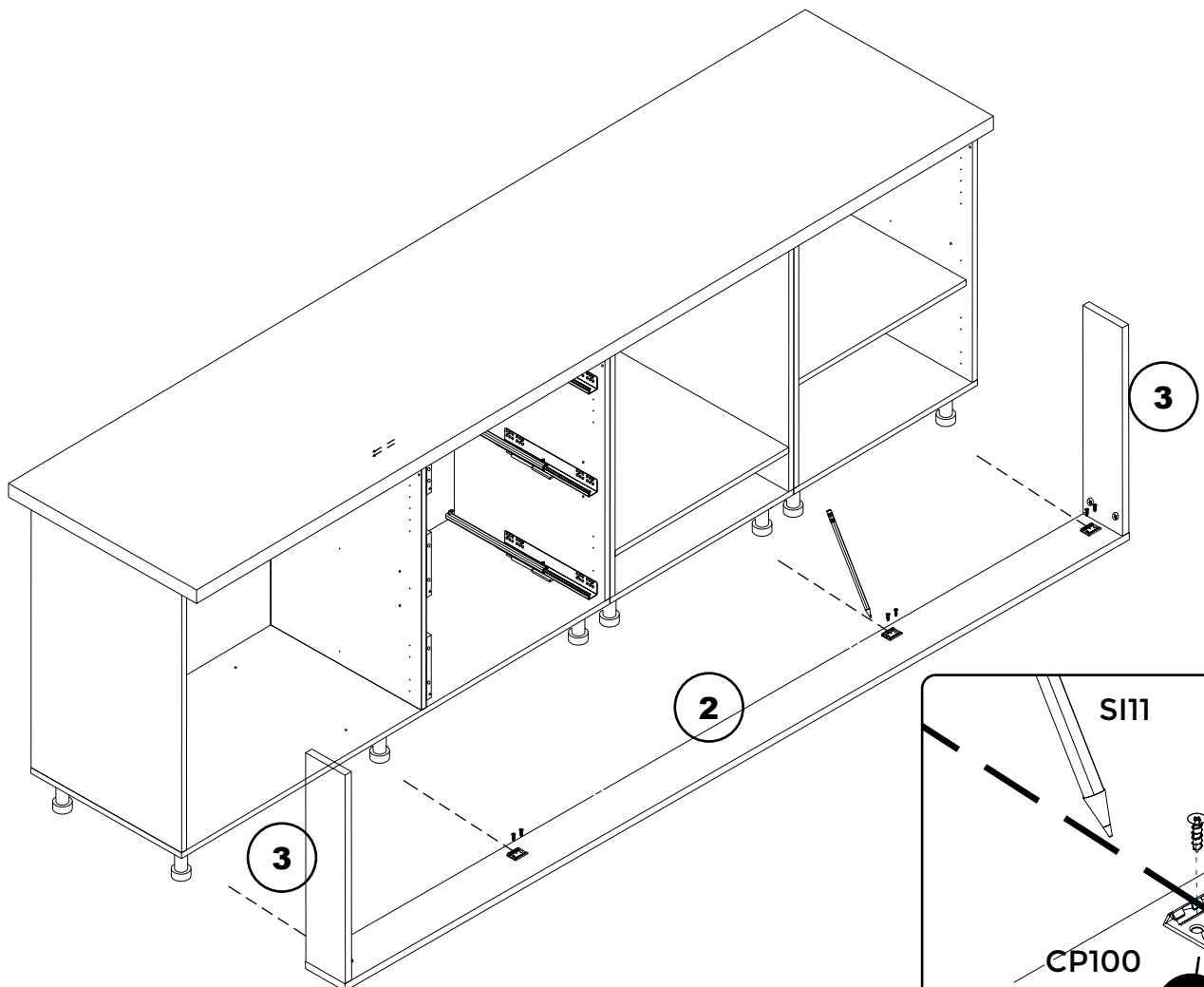


X4

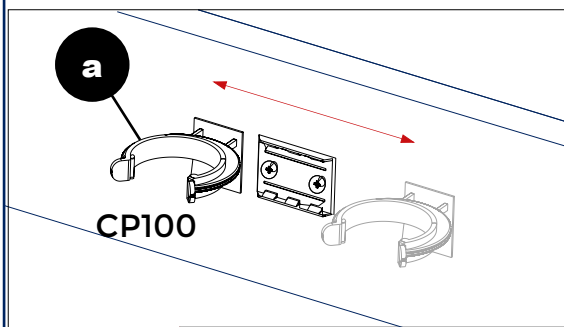
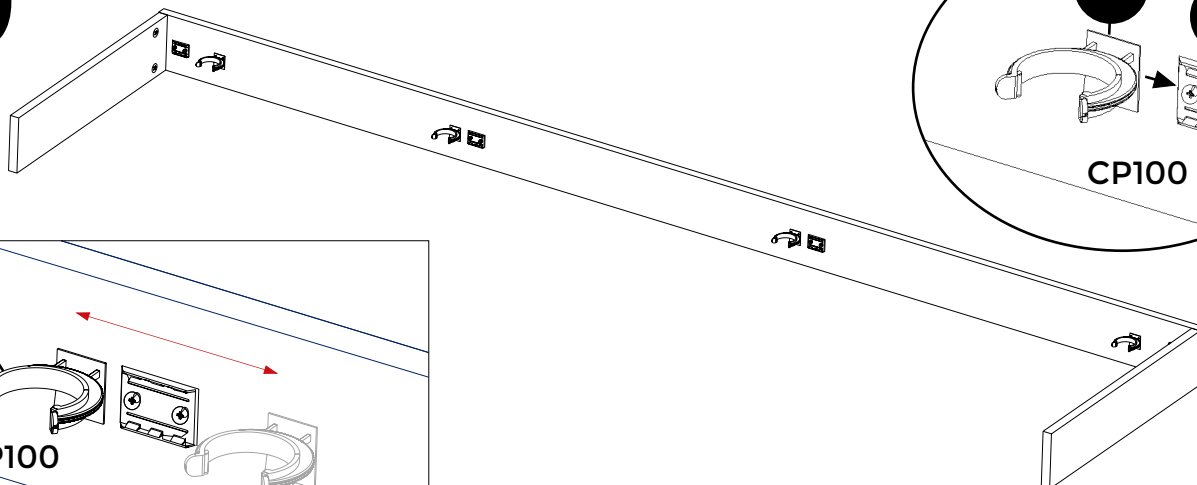
8



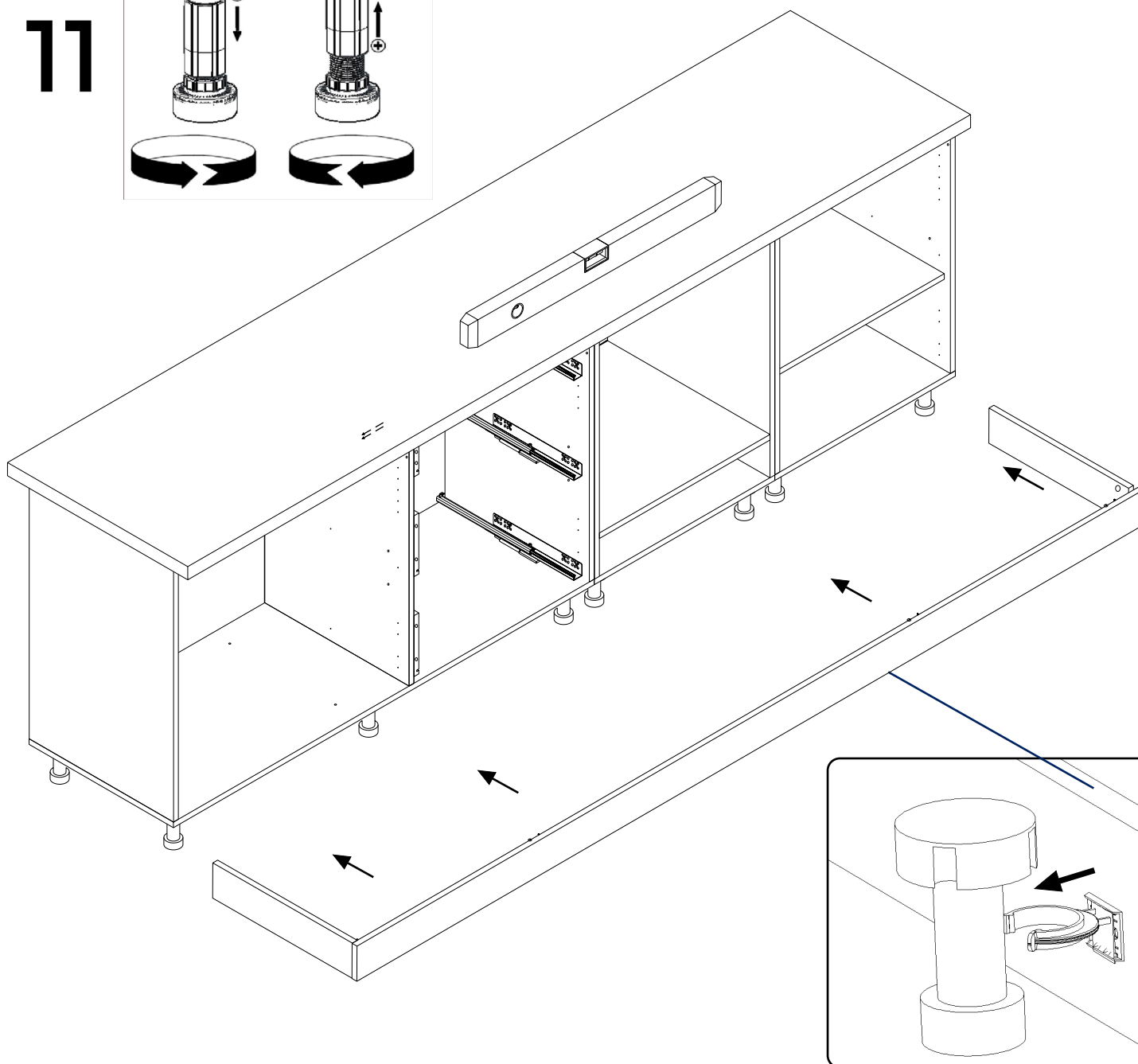
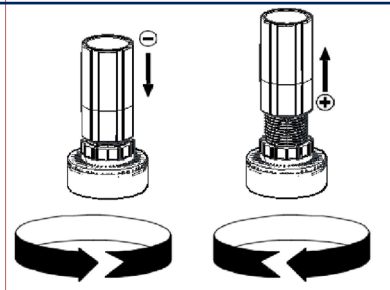
9



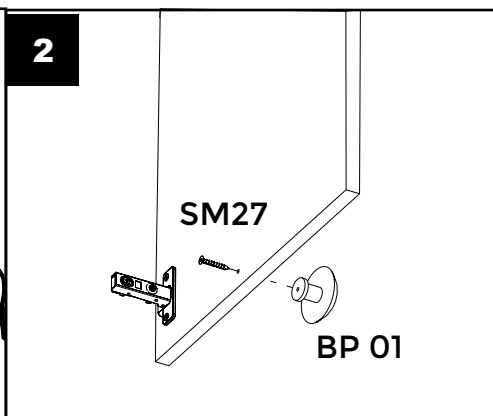
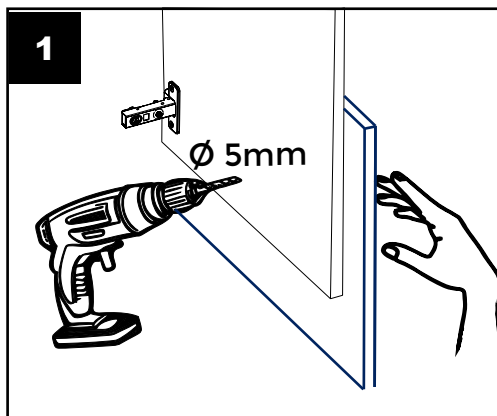
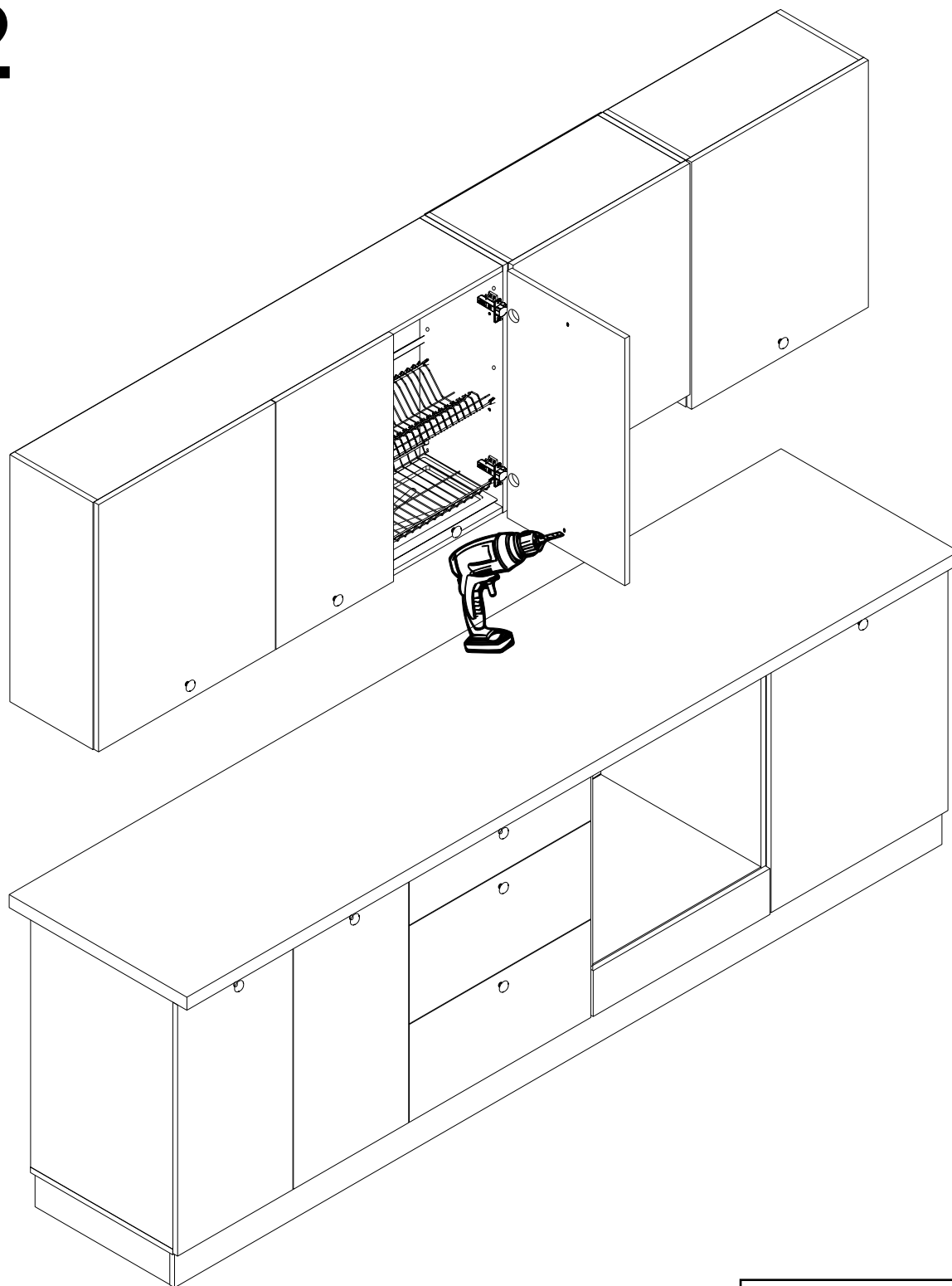
10

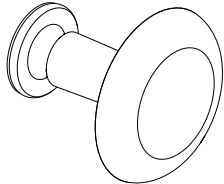



11



12



BP 01	
x 11	
SM27	
x 11	4x27mm