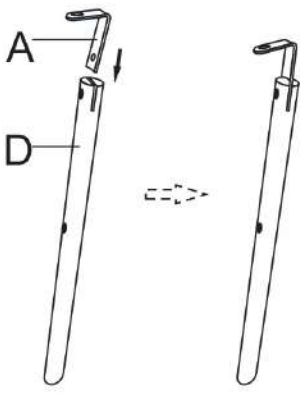
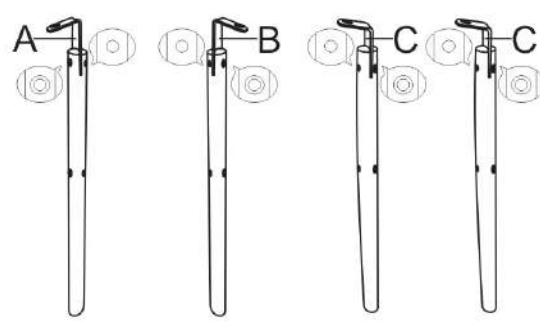
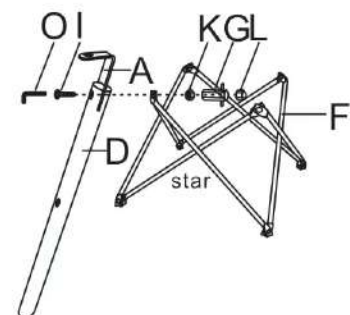
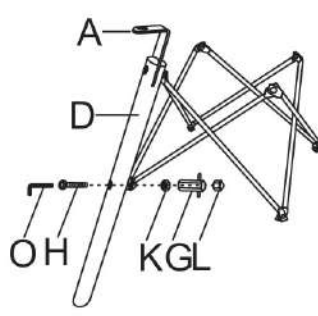
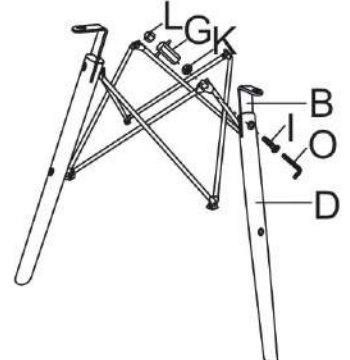
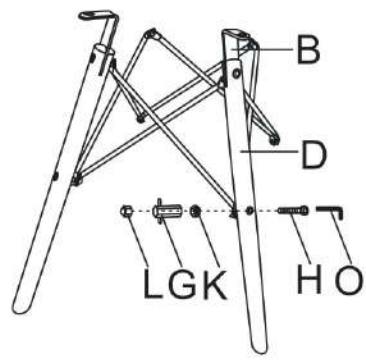
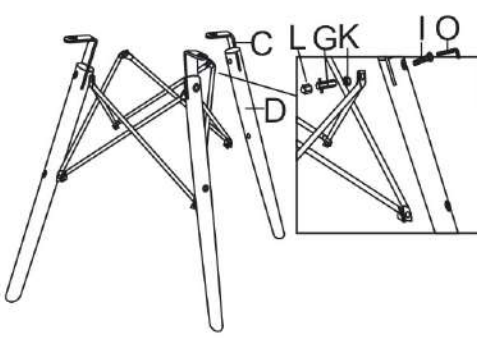
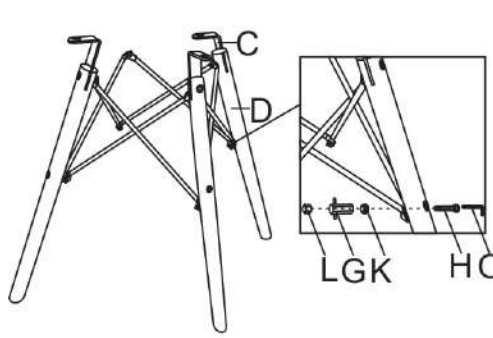


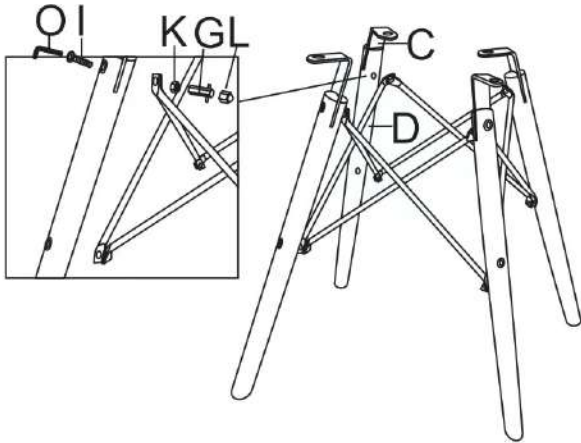
Notes:

How to distinguish A clips and B clips

Hold the longer parts, the shorter side of part A is on the left and the shorter side of Part B is on the right.

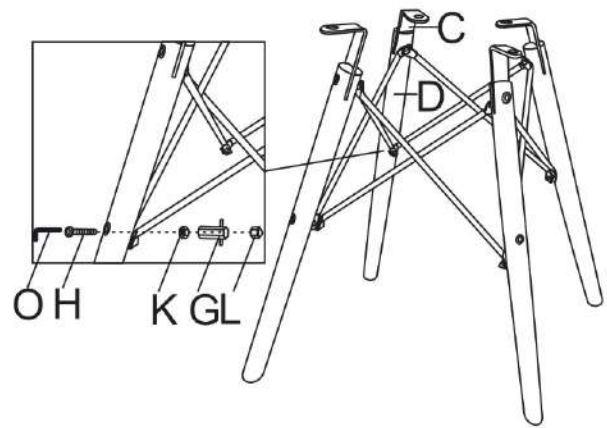
<p>1</p> 	<p>2</p>  <p>Insert clips A, B &amp; C to the legs (we will now refer to them as "AD" leg, "BD" leg, and two "CD" legs).</p>
<p>3</p>  <p>Assemble AD leg with the star. Pay attention to clip A's direction, it should be facing outwards (opposite from the star). Insert "I" into the leg from the bigger hole towards the smaller hole and connect with the star using 'K'.</p>	<p>4</p>  <p>Use the same method to assemble the middle hole of leg "AD" but use screw 'H'.</p>
<p>5</p>  <p>Please assemble leg "BD" after "AD" Leg (same process) and pay attention to clip B's direction (should be opposite to the star).</p>	<p>6</p>  <p>Use the same method to assemble the middle hole of leg "BD" but use screw 'H'.</p>
<p>7</p>  <p>For "CD" leg pay attention to the "C" clip's direction (should be towards the star). Use screw 'I'.</p>	<p>8</p>  <p>Assemble the middle hole of "CD" leg using screw 'H'.</p>

7



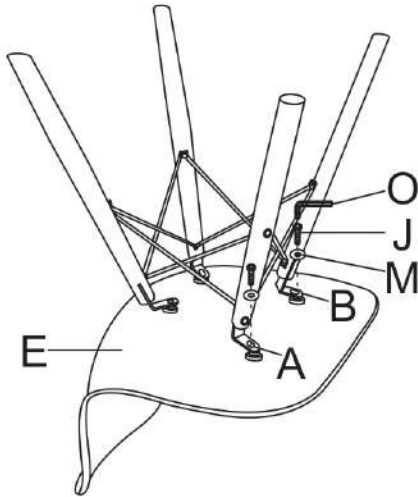
For "CD" leg pay attention to the "C" clip's direction (should be towards the star). Use screw 'I'.

8



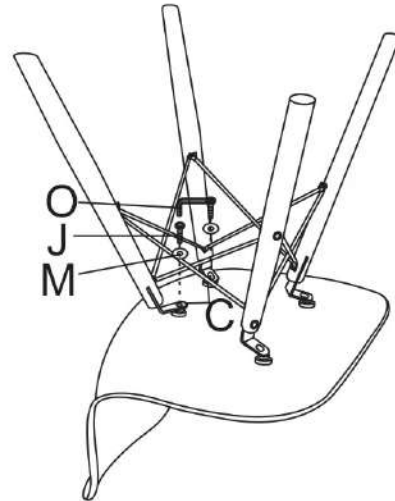
Assemble the middle hole of "CD" leg using screw 'H'.

9



Connect the seat to the legs using 'M' and 'J'. Legs "AD" and "BD" are the front legs of the seat.

10



Connect the seat to the legs using 'M' and 'J'. Two "CD" Legs are for the back of the seat.

11



Congratulations, your new bar stool is ready for use.

A		1	H	 M6x40mm	4
B		1	I	 M6x35mm	4
C		2	J	 M6x15mm	4
D		4	K		8
E		1	L		8
F		1	M		4
G		1	O		1