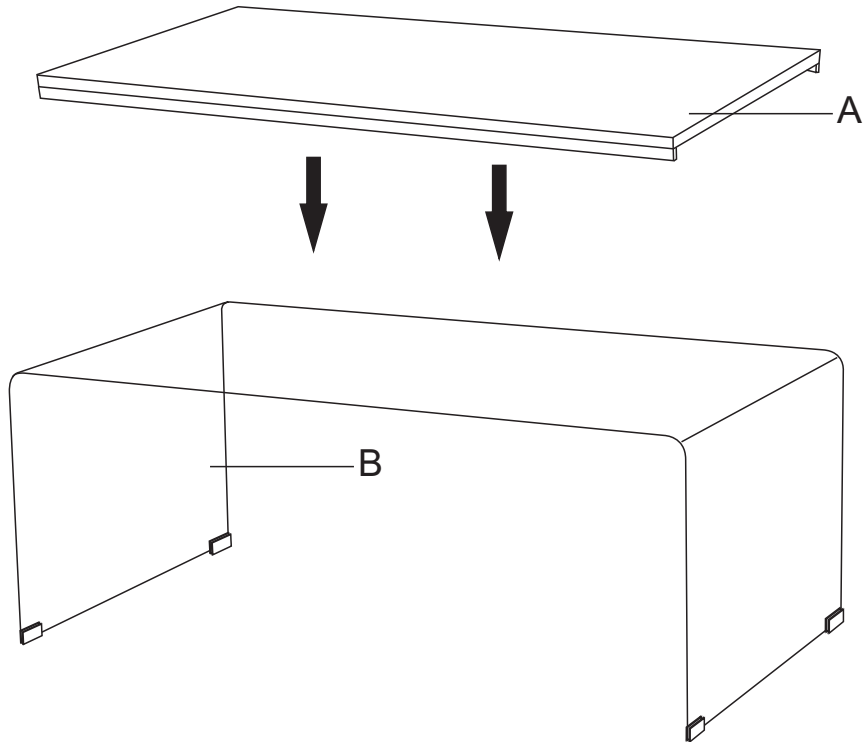
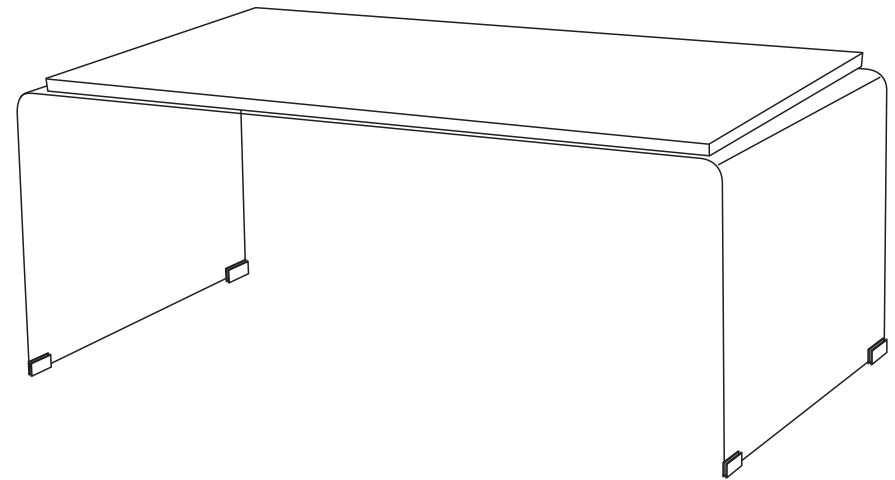


ASSEMBLY INSTRUCTION

1



2



Ax1



Bx1

