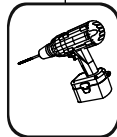
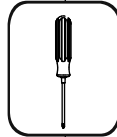
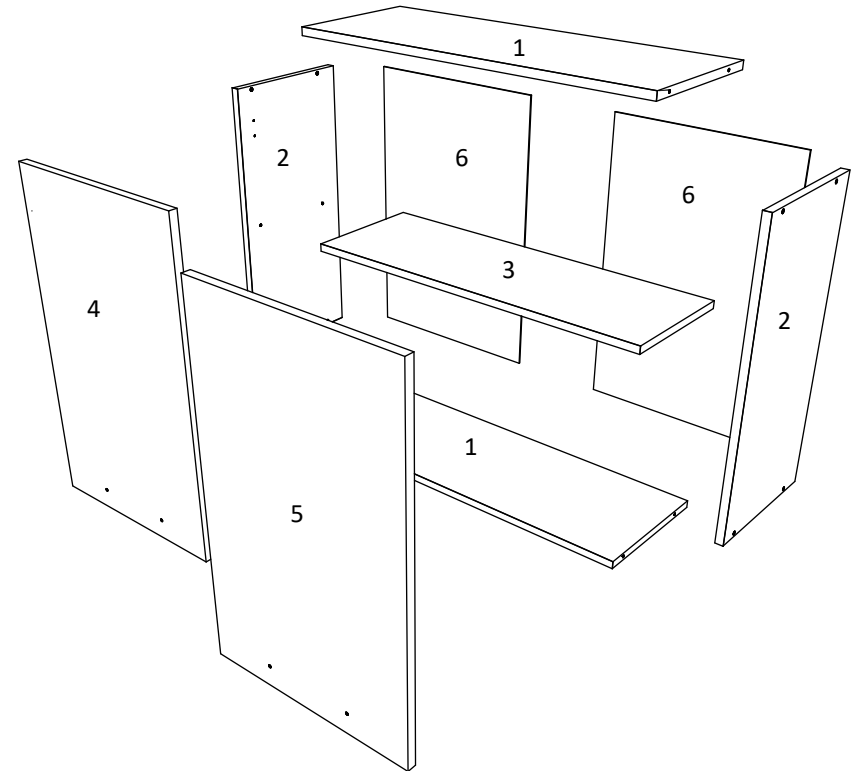
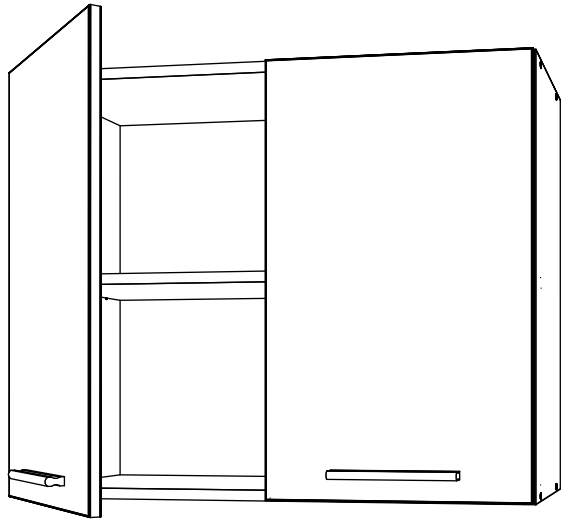
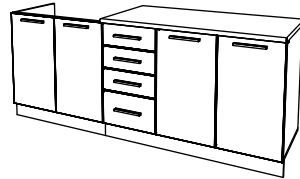
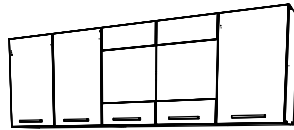

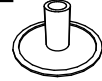
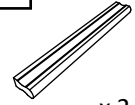
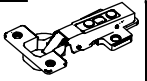

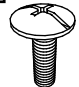

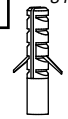
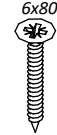
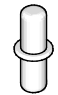
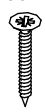
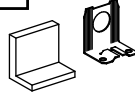
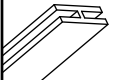


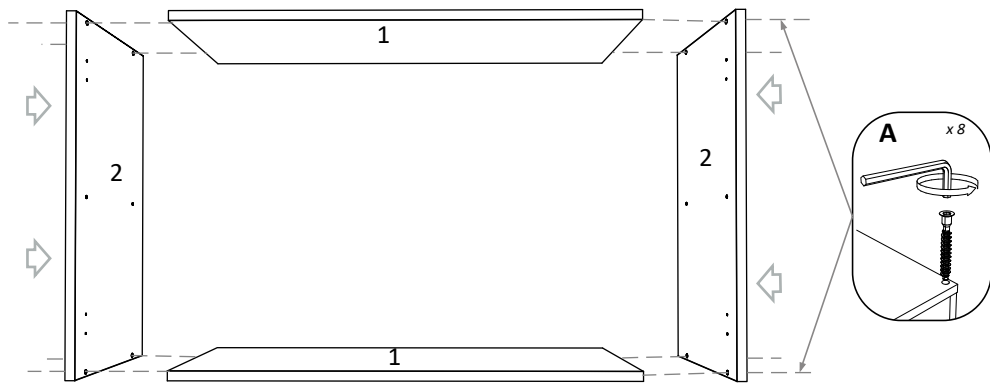
# SET BUCATARIE LISA L 200 cm

CORP 4: 800x300x650 mm

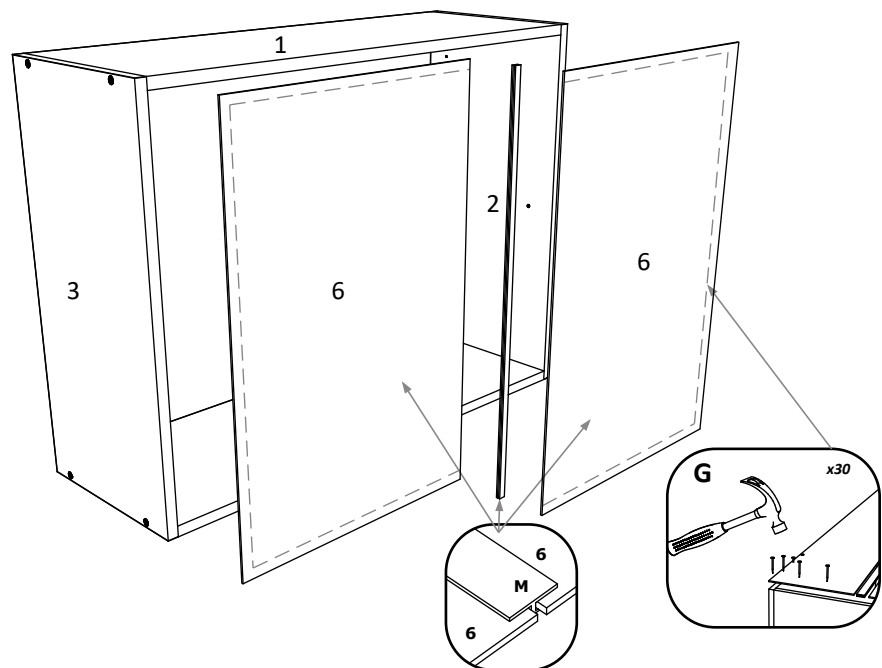


<b>A</b> 7x50mm  x 8	<b>B</b>  x 8	<b>C</b> 160 mm  x 2	<b>D</b>  x 4	<b>E</b>  x 1
<b>F</b> M4 x 20mm  x 4	<b>G</b>  x 30	<b>H</b> 8 mm  x 2	<b>I</b> 6x80mm  x 2	<b>J</b>  x 4
<b>K</b> 3.5 x 16 mm  x 20	<b>L</b>  x 2	<b>M</b> L = 618 mm  x 1		

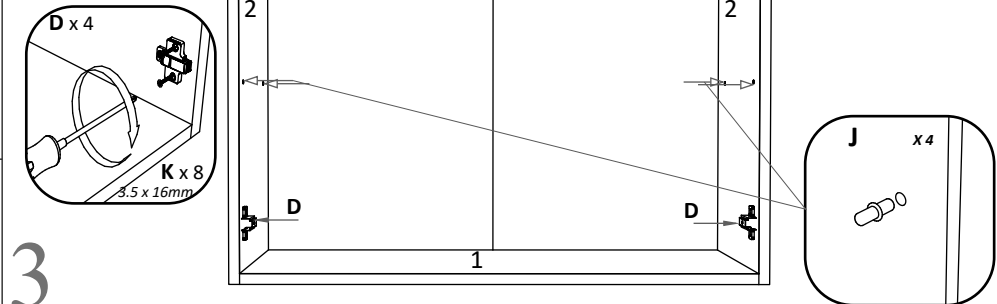
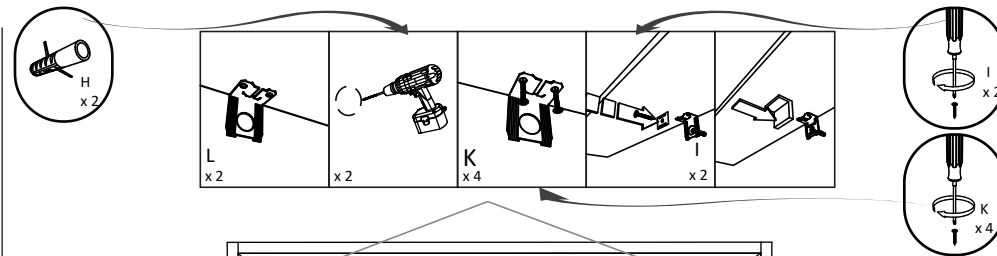
NUMBER	LENGTH	WIDTH	PCS	COLOUR	PACKAGE
1	768	300	1	WHITE	5/6
2	650	300	1	WHITE	5/6
3	768	290	1	WHITE	5/6
4	647	397	2	COLOUR	5/6
5	647	397	1	COLOUR	1/6
6	646	396	2	BACK PANNEL	1/6



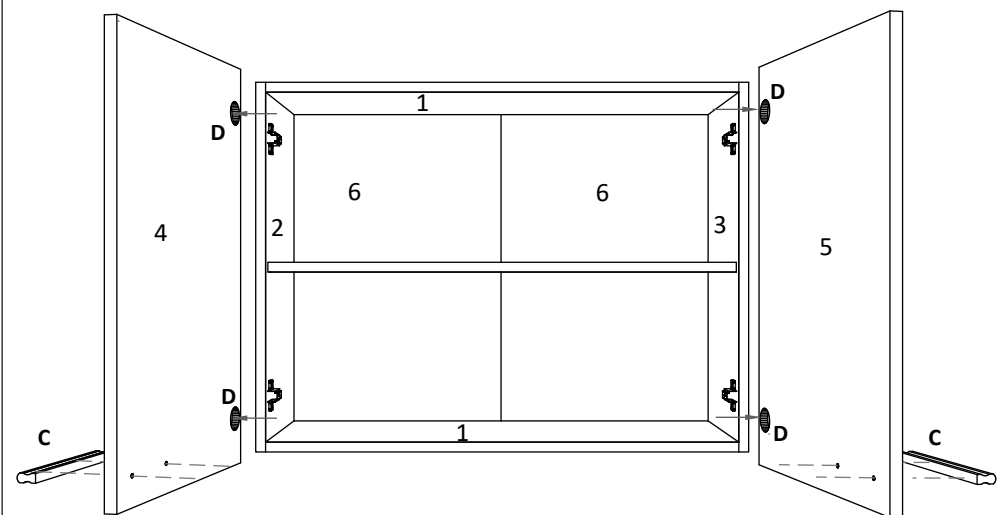
1



2



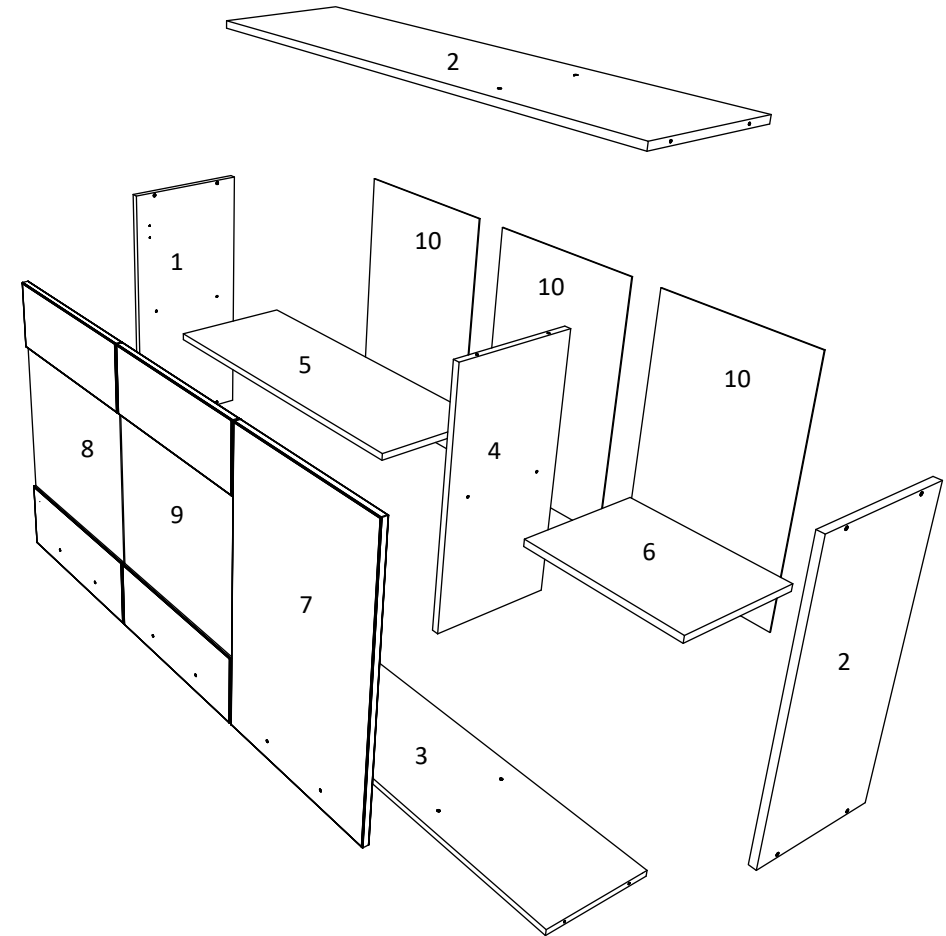
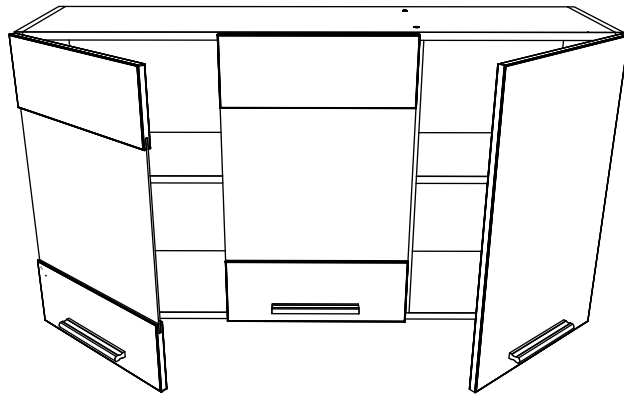
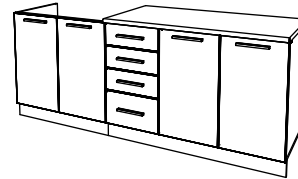
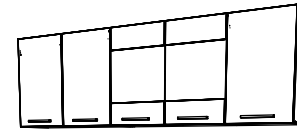
3



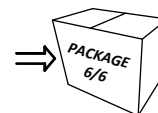
4

# SET BUCATARIE LISA L 200 cm

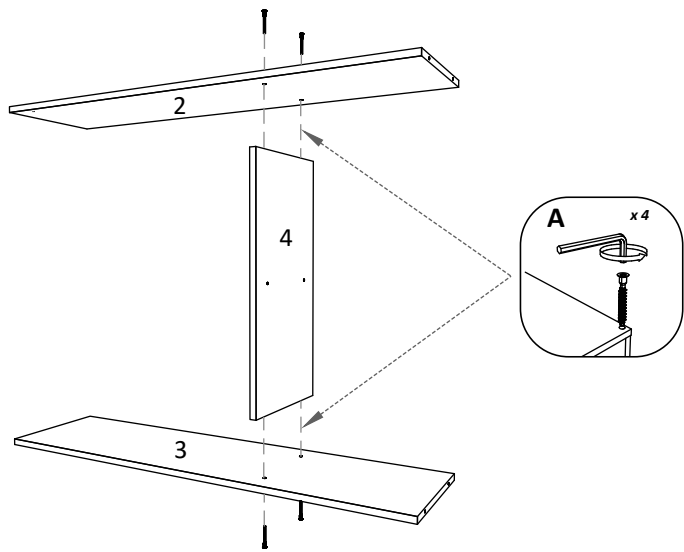
## CORP 3: 1200x300x650 mm



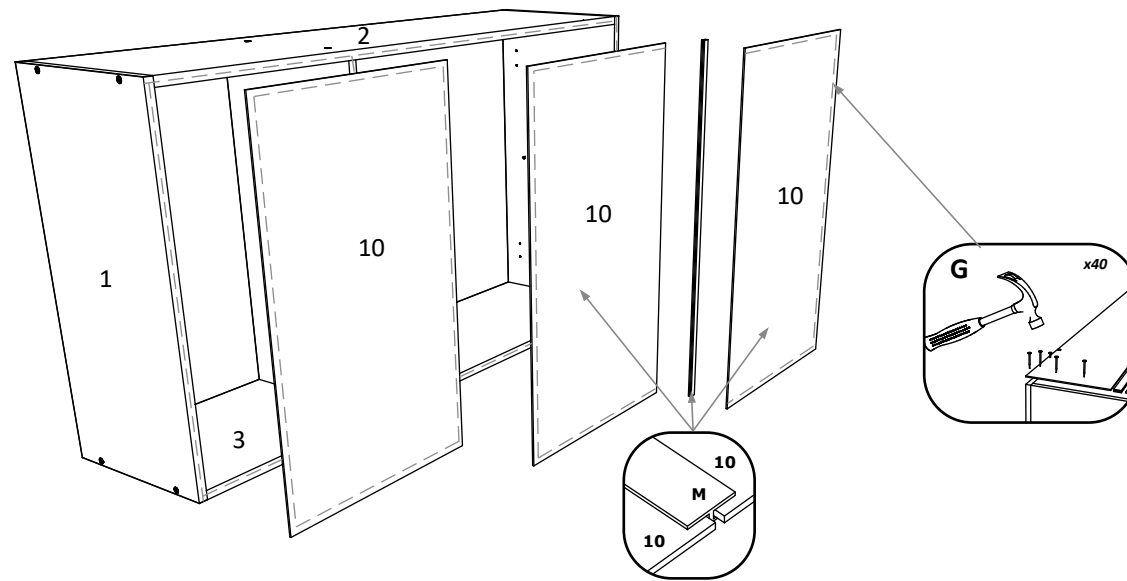
<b>A</b> 7x50mm  x 12	<b>B</b>  x 12	<b>C</b> 160 mm  x 3	<b>D</b>  x 4	<b>E</b>  x 2
<b>F</b> M4 x 20mm  x 6	<b>G</b>  x 40	<b>H</b> 8 mm  x 3	<b>I</b> 6x80mm  x 3	<b>J</b>  x 8
<b>K</b> 3.5 x 16 mm  x 30	<b>L</b>  x 3	<b>M</b> L = 618 mm  x 1	<b>N</b>  x 1	



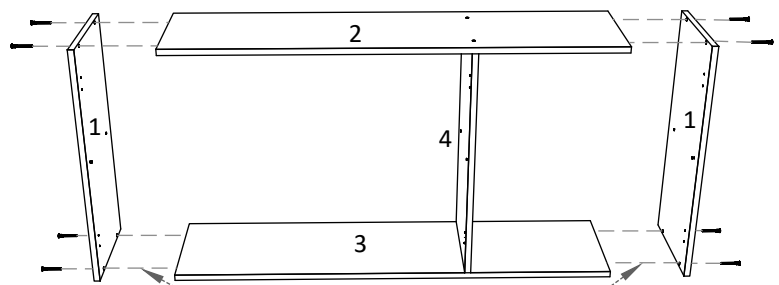
NUMBER	LENGTH	WIDTH	PCS	COLOUR	PACKAGE
<b>1</b>	650	300	<b>2</b>	WHITE	5/6
<b>2/3</b>	1168	300	<b>2</b>	WHITE	3/6
<b>4</b>	618	300	<b>1</b>	WHITE	5/6
<b>5</b>	776	290	<b>1</b>	WHITE	5/6
<b>6</b>	376	290	<b>1</b>	WHITE	5/6
<b>7</b>	647	397	<b>1</b>	COLOUR	2/6
<b>8/9</b>	647	397	<b>2</b>	COLOUR	2/6
<b>10</b>	646	396	<b>3</b>	BACK PANNEL	2/6



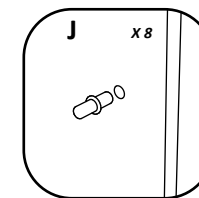
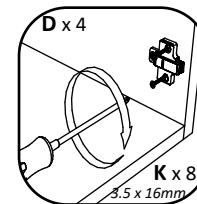
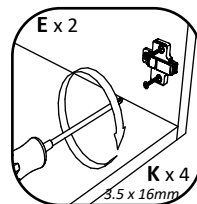
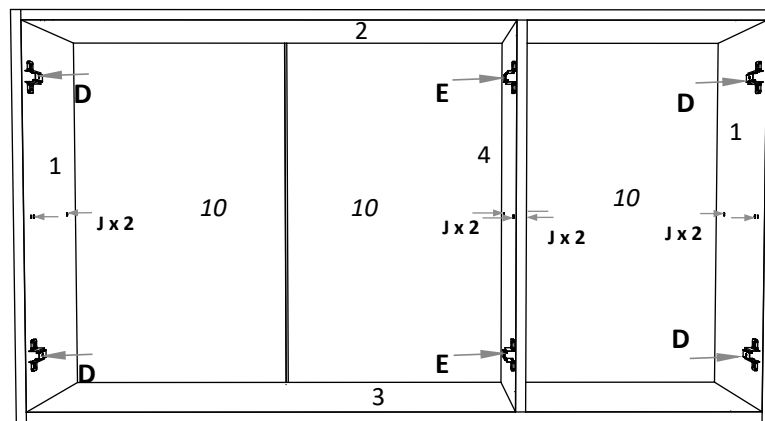
1



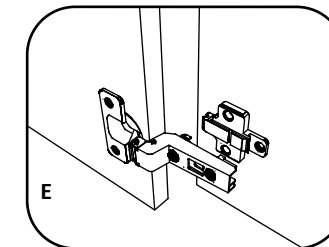
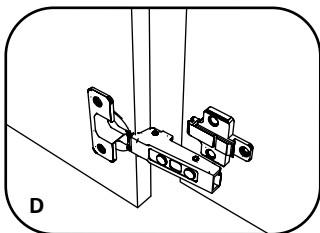
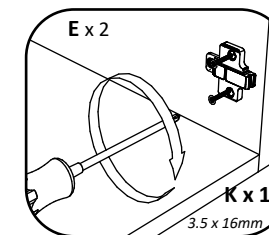
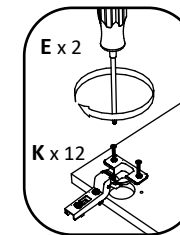
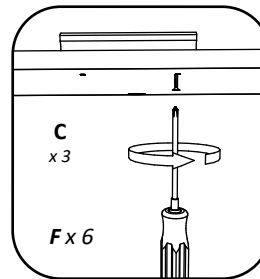
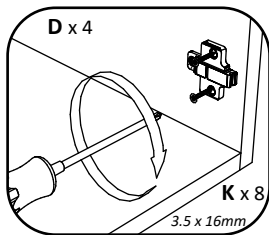
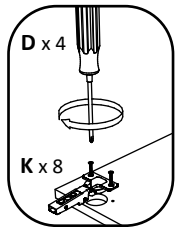
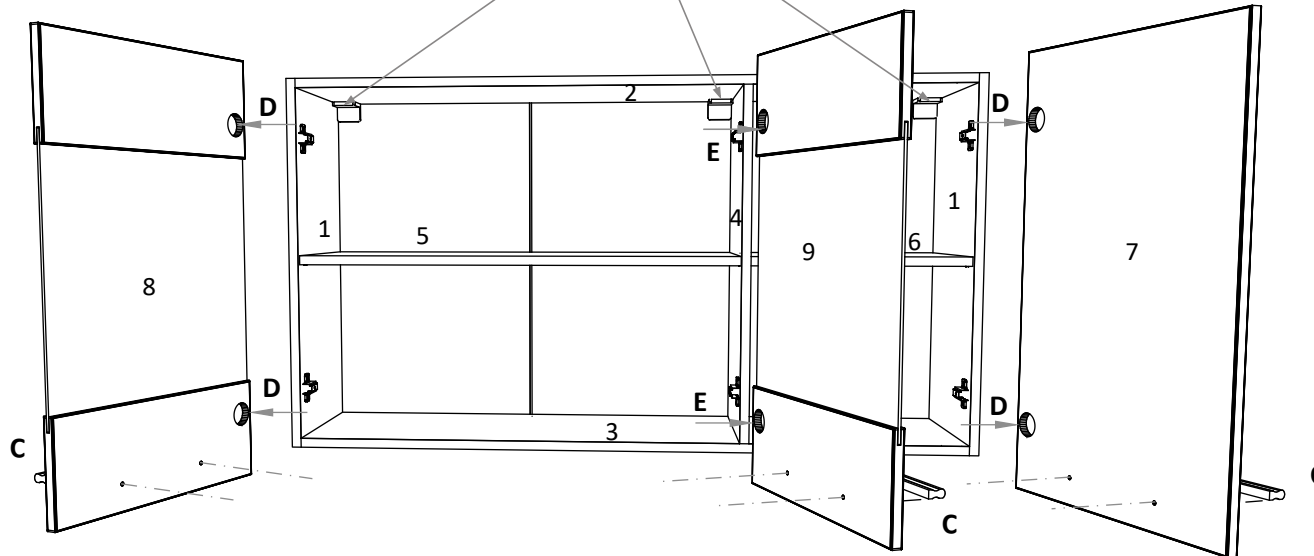
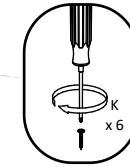
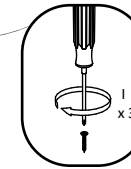
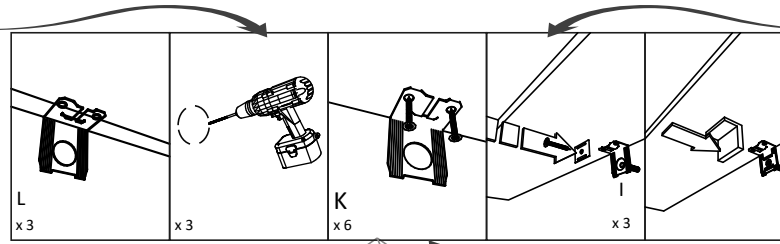
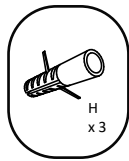
3



2

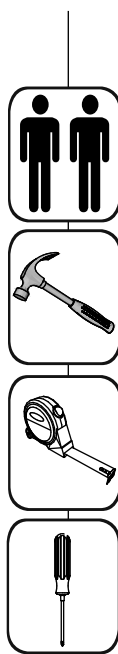
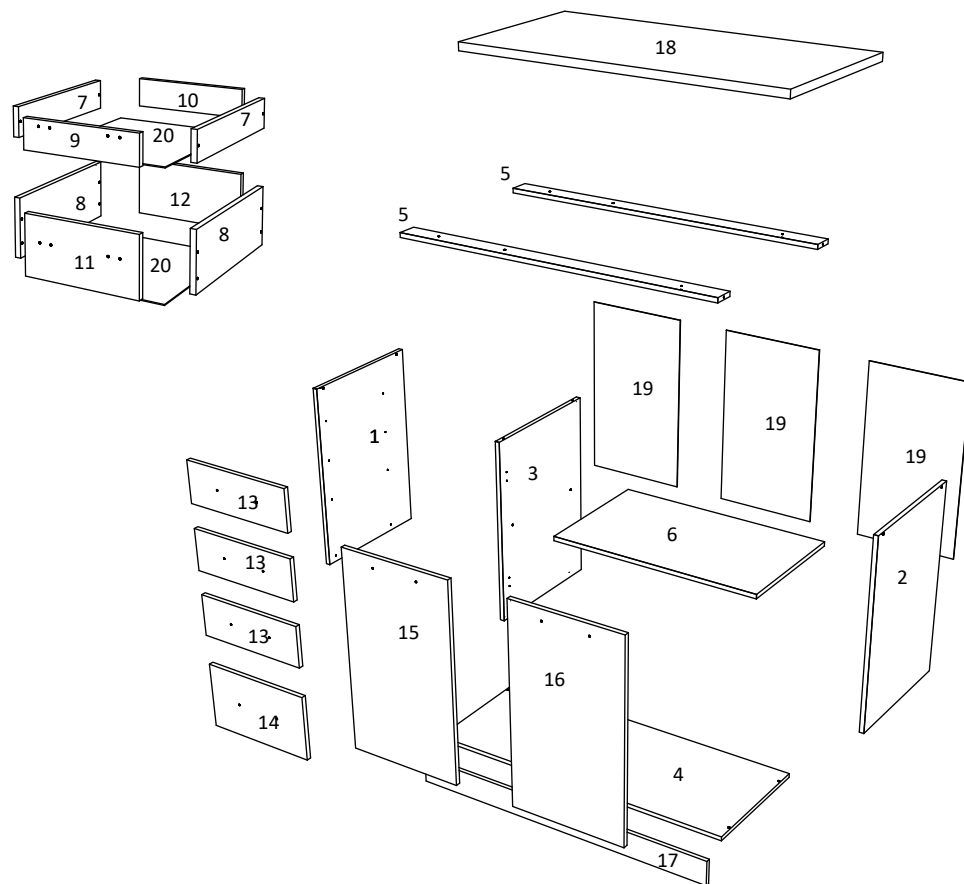
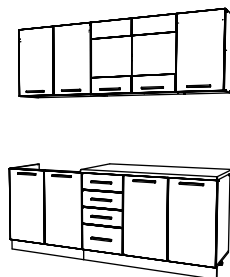


4

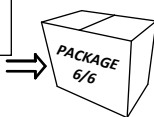


# SET BUCATARIE LISA L 200 cm

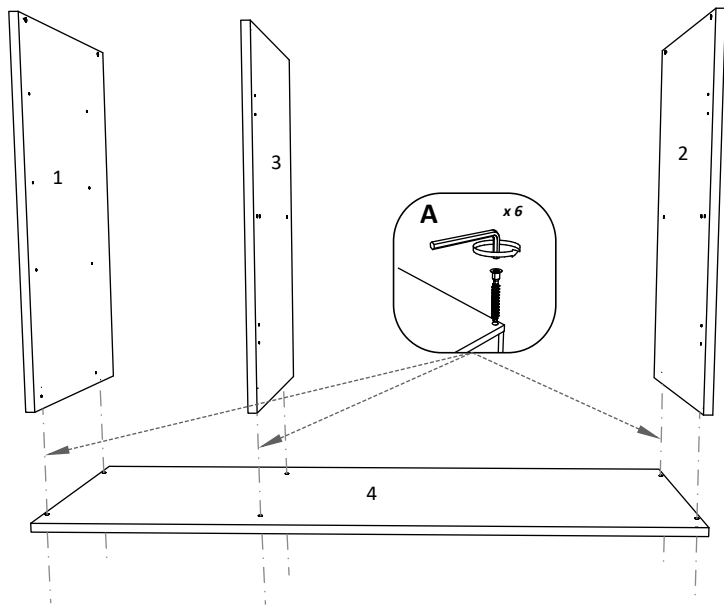
CORP 2: 1200x500x800 mm



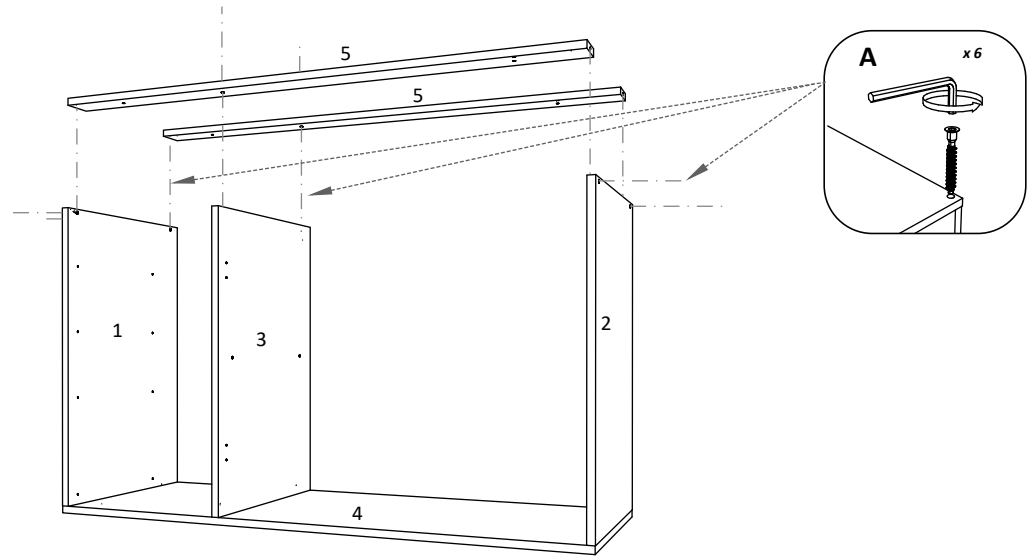
A 7x50mm x 12	B x 4	C 3.5 x 16 mm x 84	D 160 mm x 6	E x 2
F x 2	G x 6	H x 3	I M4 x 20 mm x 4	J x 1
K M4 x 35 mm x 8	L 400 mm x 4	M x 4	N L = 590 mm x 1	O 3.5 x 25 mm x 8
P 3.5 x 35 mm x 20	Q x 60			



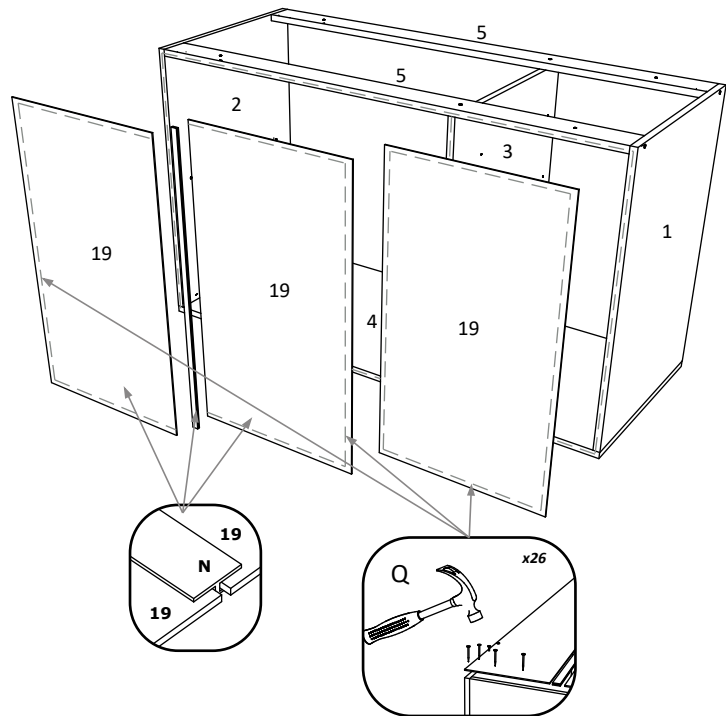
NUMBER	LENGTH	WIDTH	PCS	COLOUR
1/2	684	480	2	WHITE
3	668	480	1	WHITE
4	1200	480	1	WHITE
5	70	1168	2	WHITE
6	776	460	1	WHITE
7	400	80	6	WHITE
8	400	160	2	WHITE
9/10	319	80	6	WHITE
11/12	319	160	2	WHITE
13	150	397	3	COLOUR
14	234	397	1	COLOUR
15/16	697	397	2	COLOUR
17	100	1200	1	WHITE
18	1200	600	1	COUNTER TOP
19	696	396	3	BACK PANNEL
20	396	348	4	BACK PANNEL



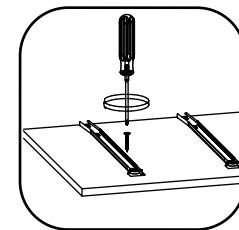
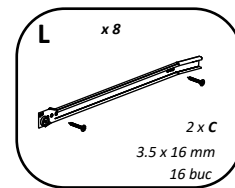
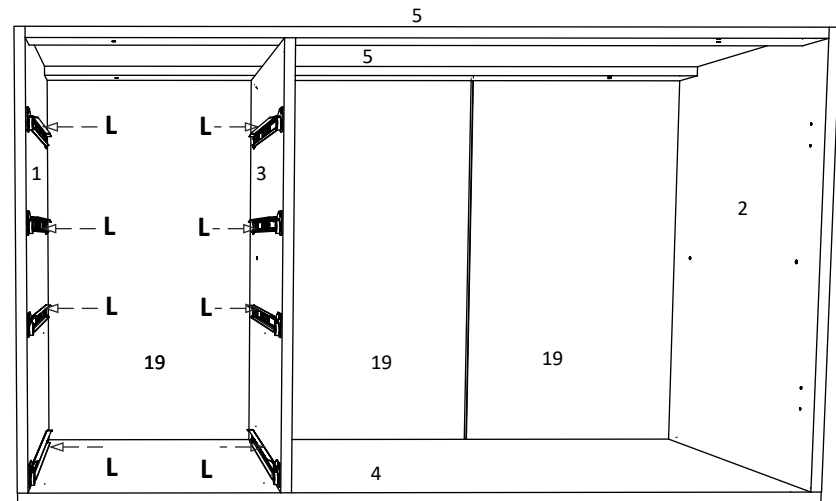
1



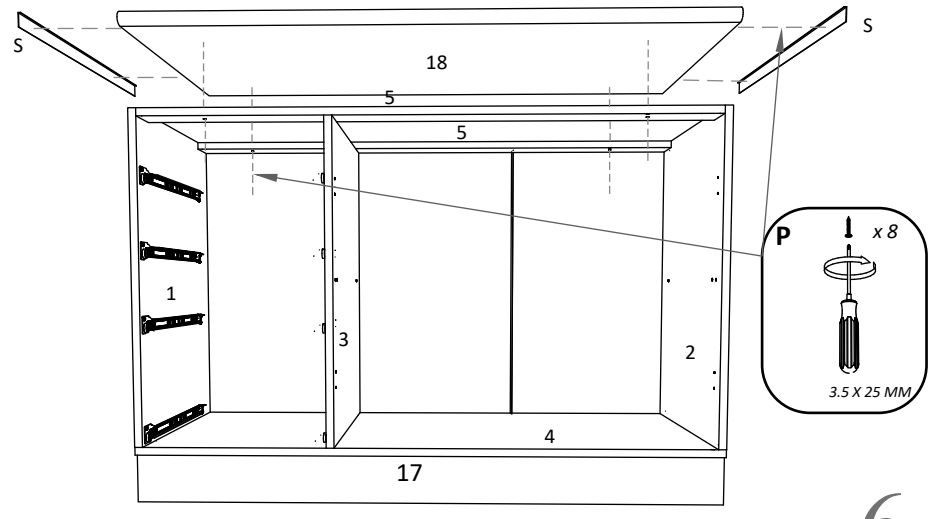
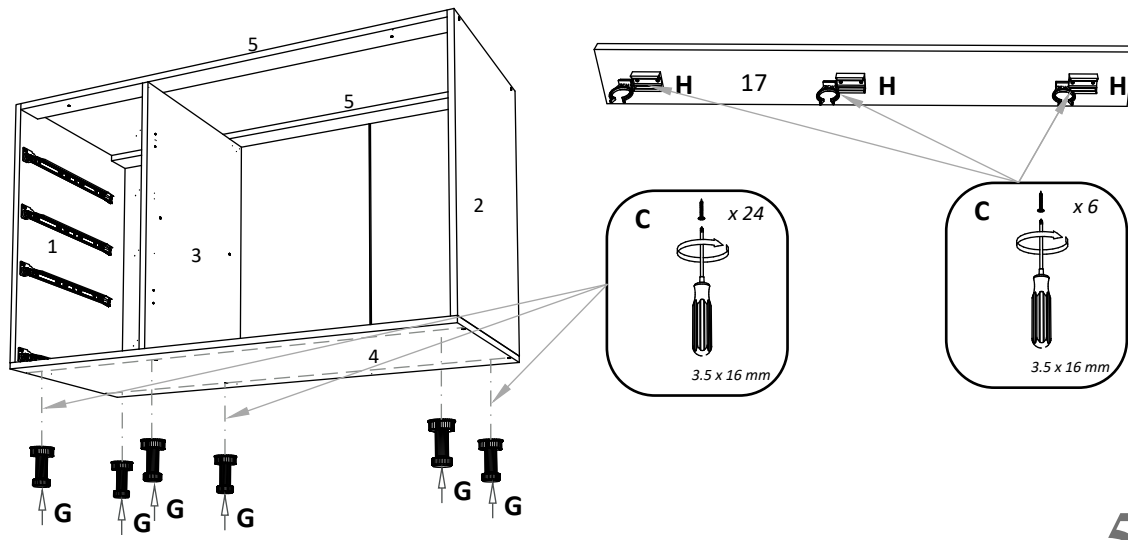
2



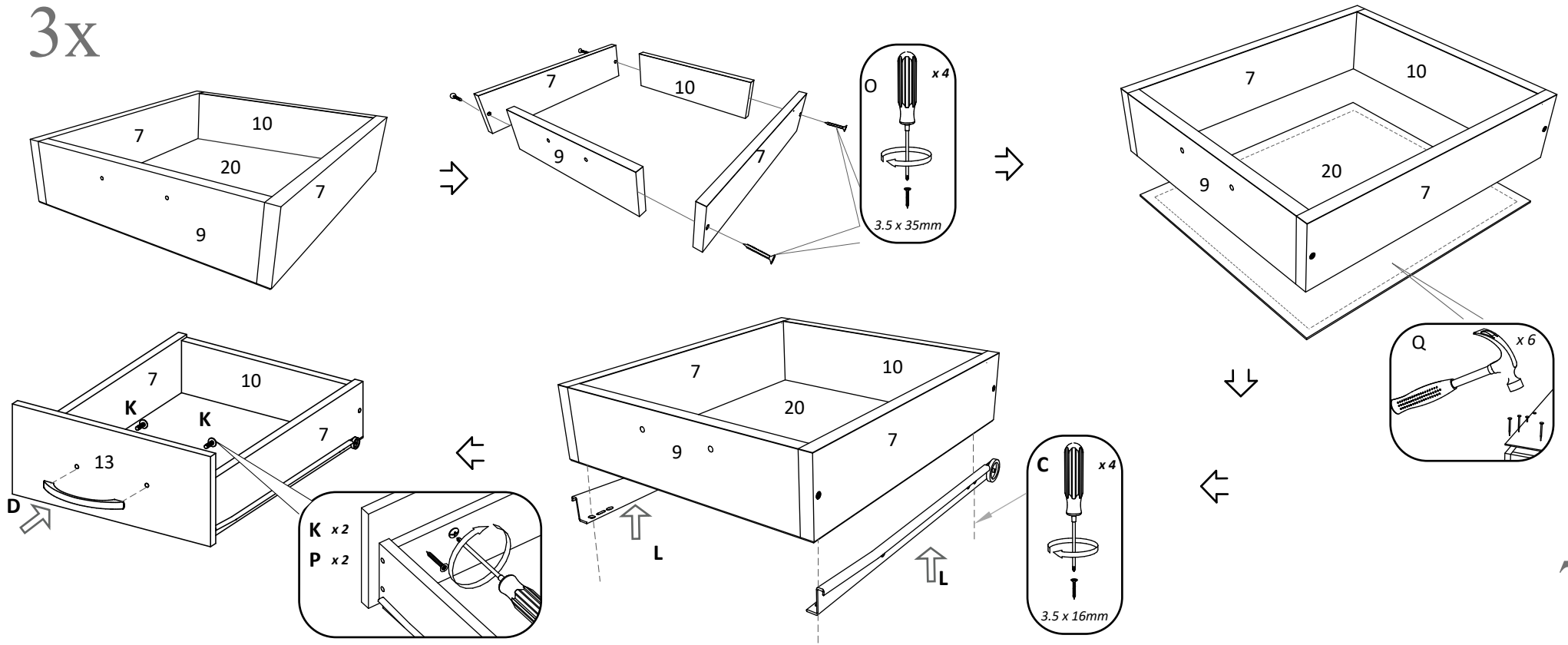
3



4



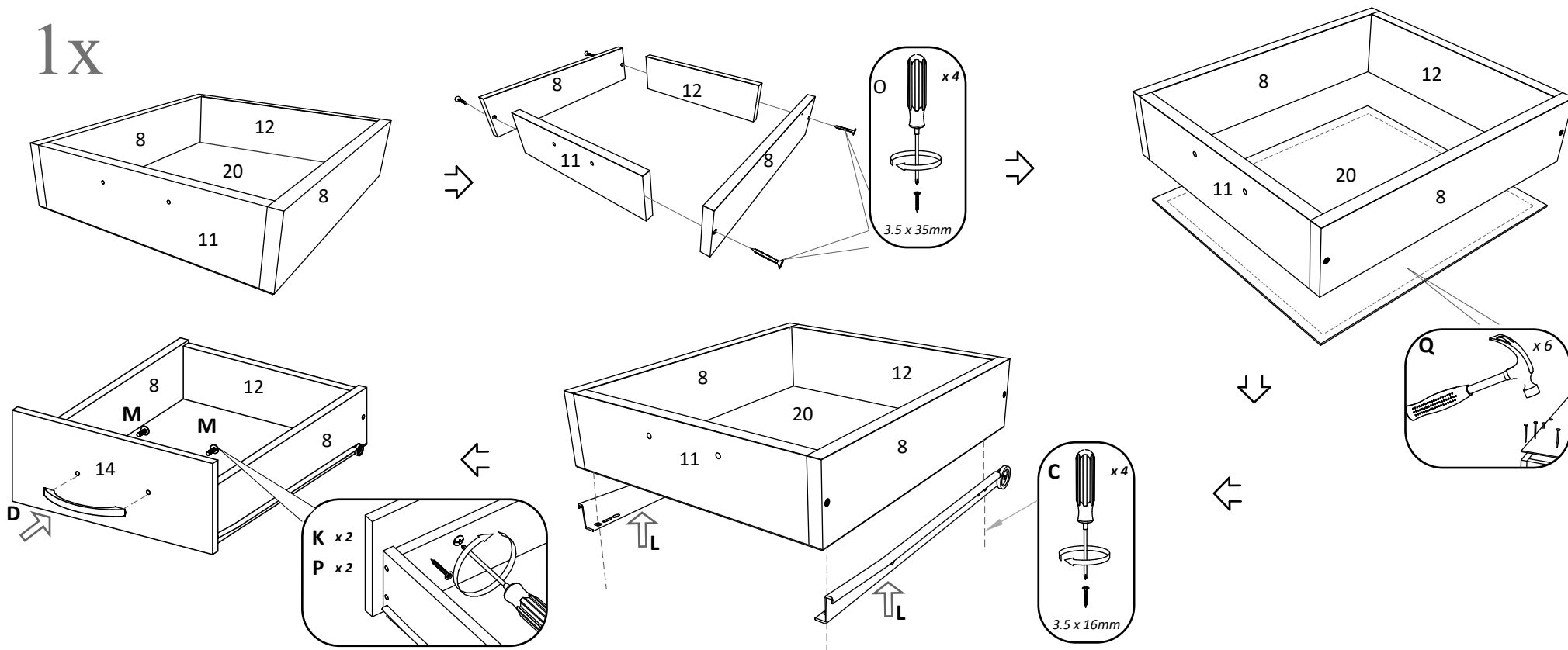
3x



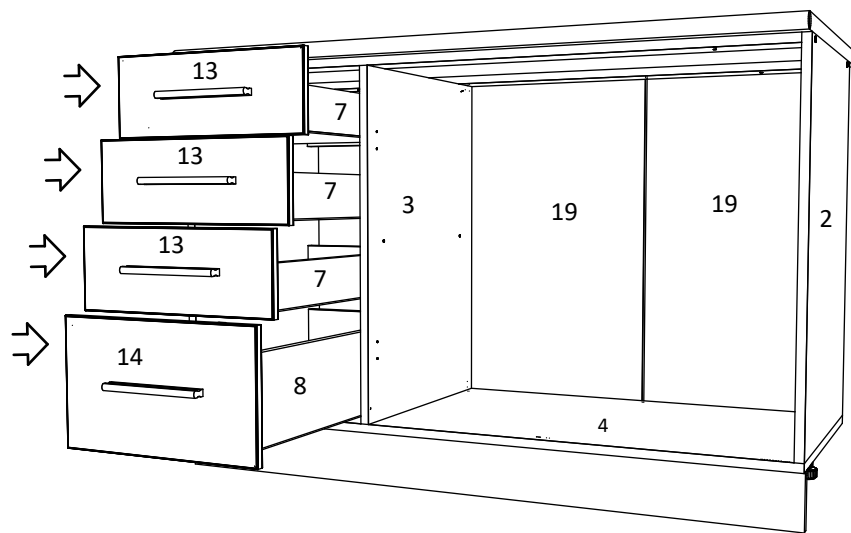
7



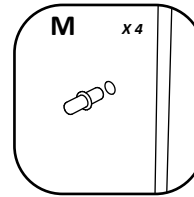
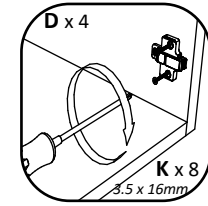
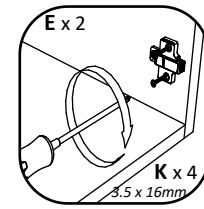
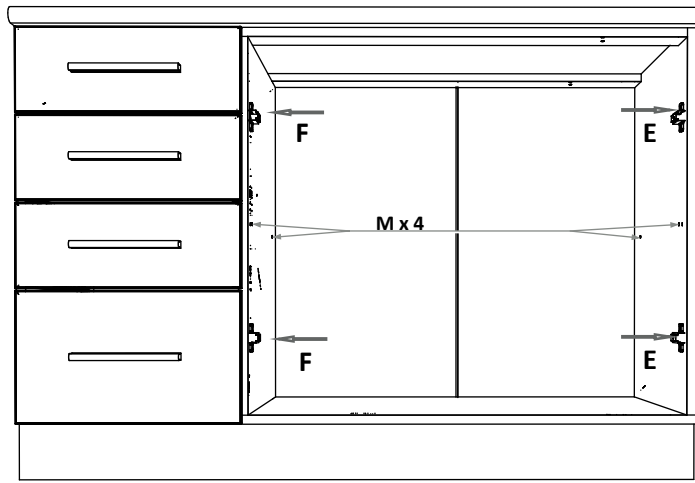
1x



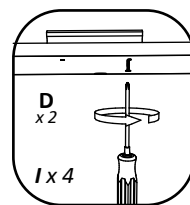
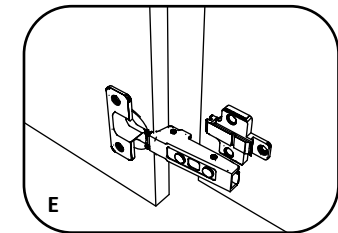
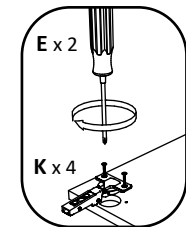
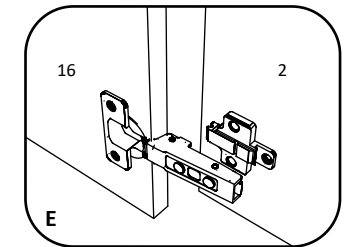
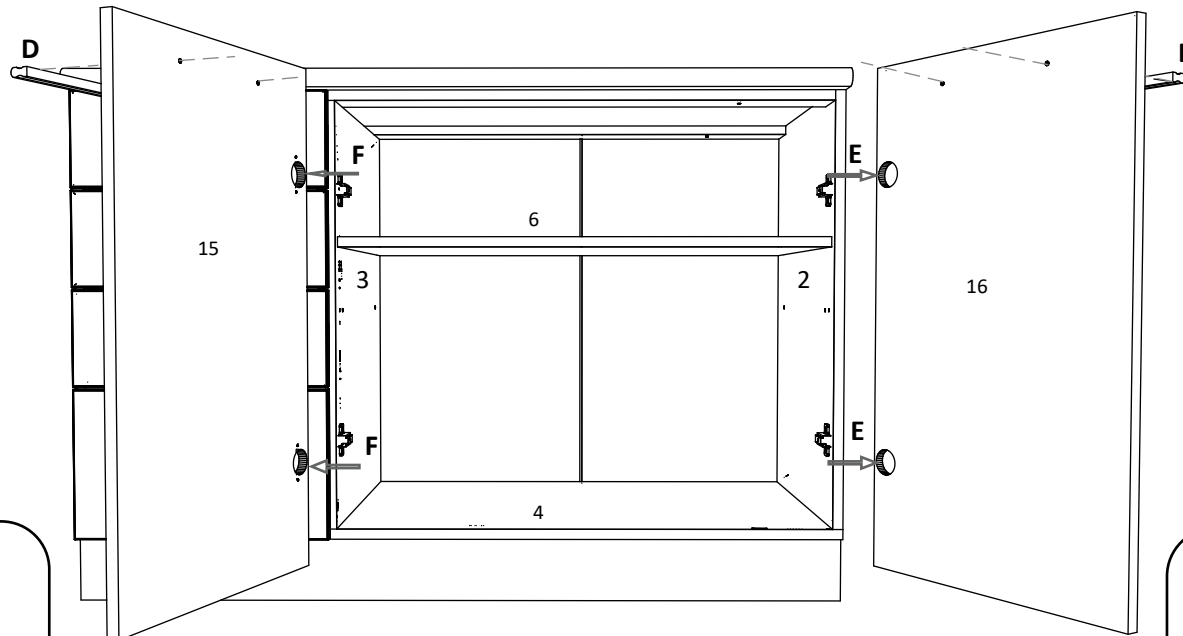
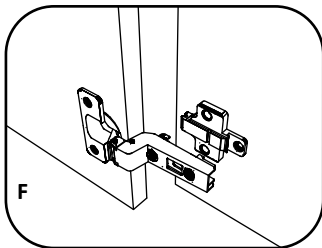
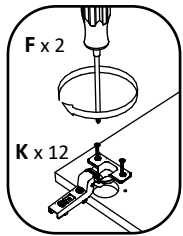
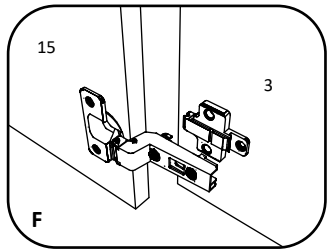
7



8

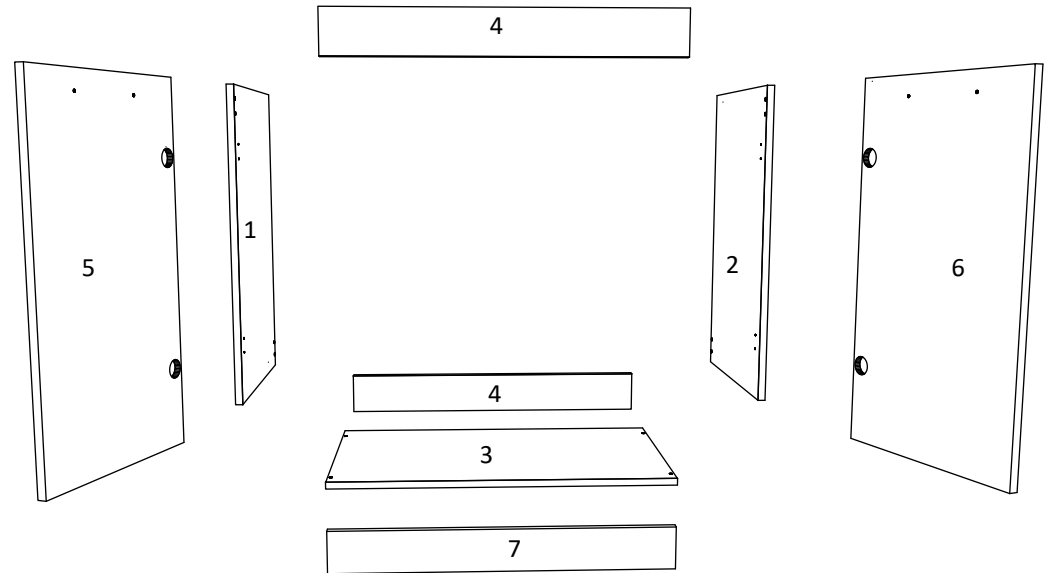
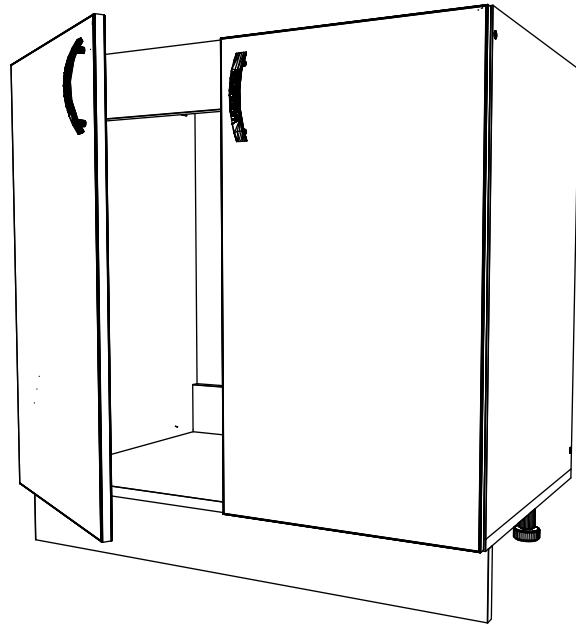
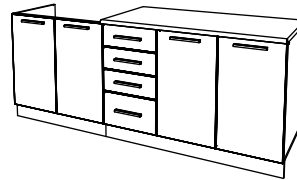
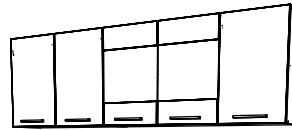


8

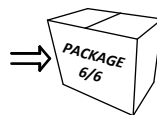


9

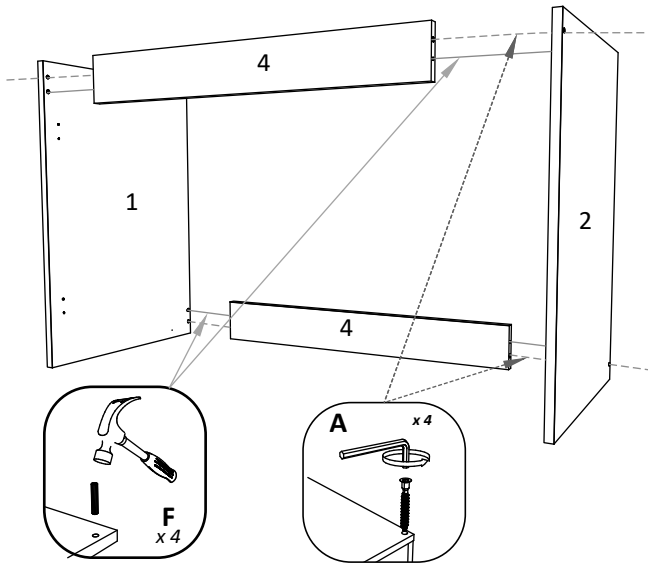
**SET BUCATARIE LISA L 200 cm**  
**CORP 1: 800x500x800 mm**



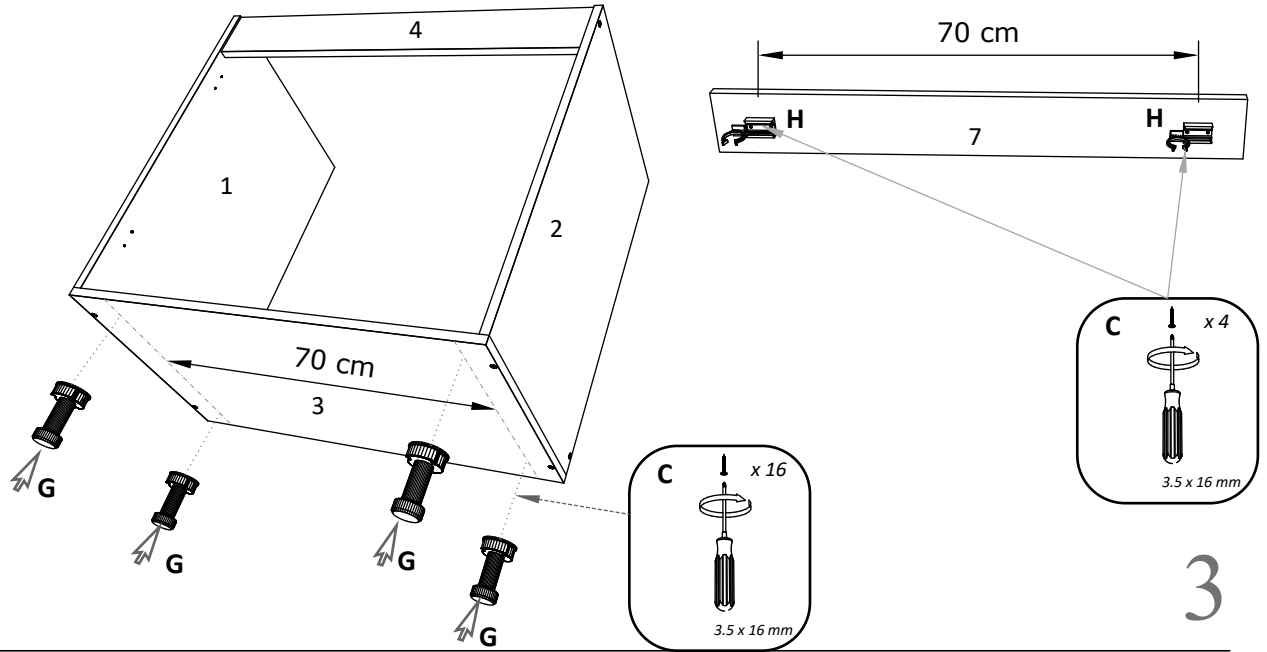
<b>A</b> 7x50mm  x 8	<b>B</b>  x 2	<b>C</b> 3.5 x 16 mm  x 36	<b>D</b> 160 mm  x 2	<b>E</b>  x 4
<b>F</b>  x 4	<b>G</b>  x 4	<b>H</b>  x 2	<b>I</b> M4 x 20 mm  x 4	<b>J</b>  x 1



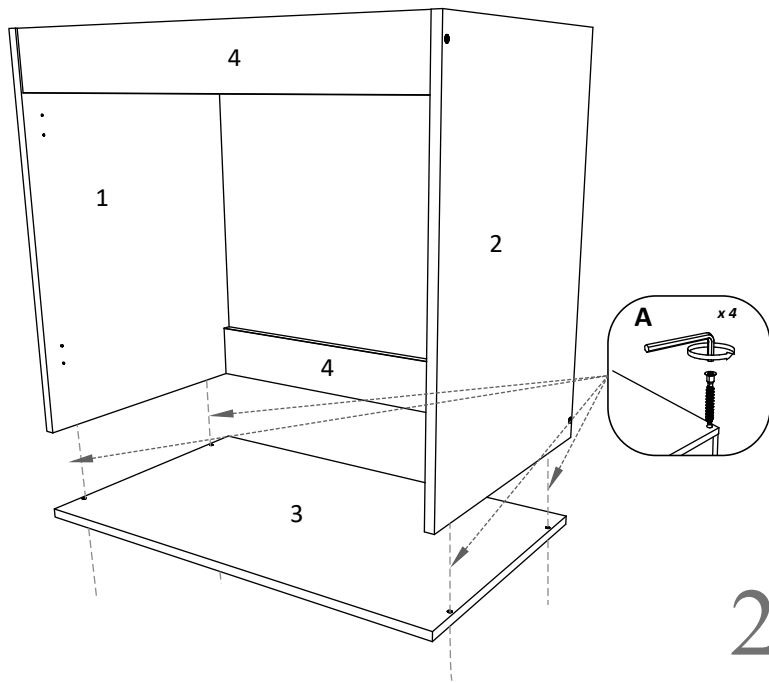
NUMBER	LENGTH	WIDTH	PCS	COLOUR	PACKAGE
<b>1</b>	684	480	<b>1</b>	WHITE	2/5
<b>2</b>	684	480	<b>1</b>	WHITE	2/5
<b>3</b>	800	480	<b>1</b>	WHITE	2/5
<b>4</b>	768	100	<b>2</b>	WHITE	1/5
<b>5</b>	696	396	<b>1</b>	COLOUR	4/5
<b>6</b>	696	396	<b>1</b>	COLOUR	4/5
<b>7</b>	100	800	<b>1</b>	WHITE	1/5



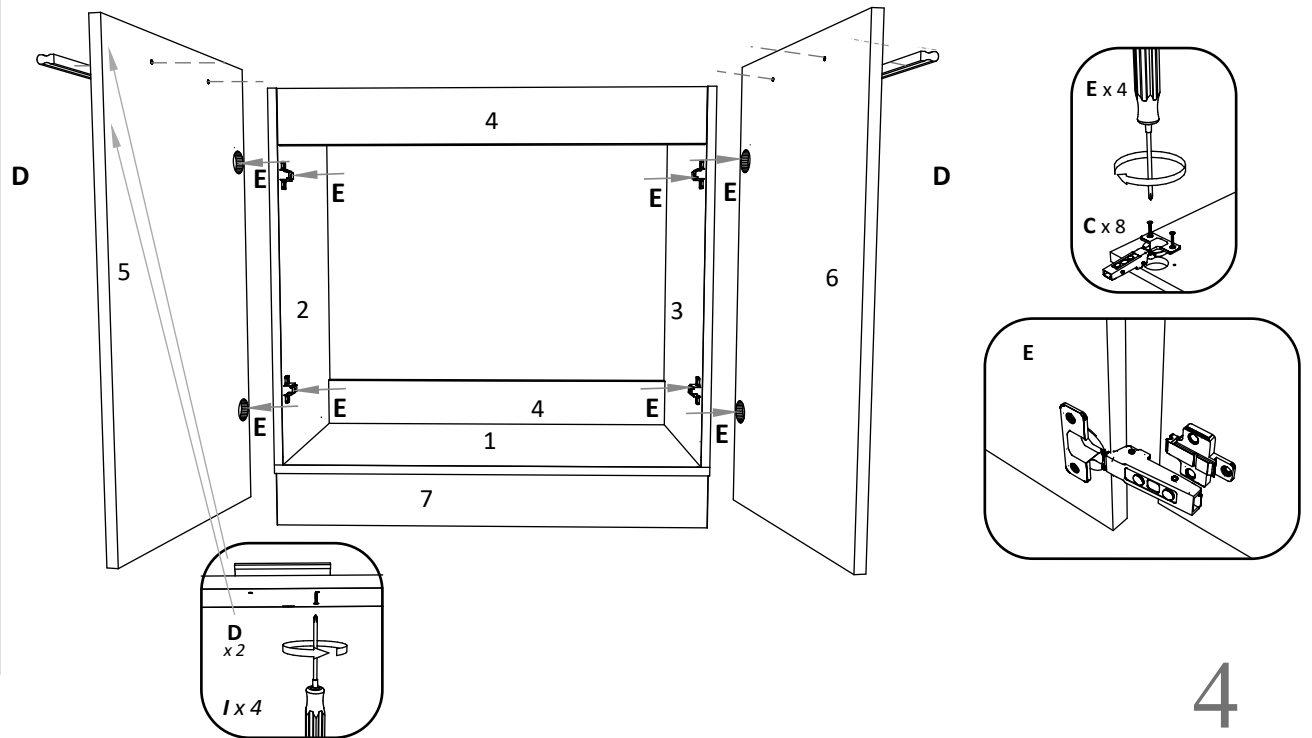
1



3



2



4