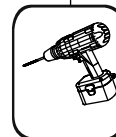
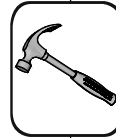
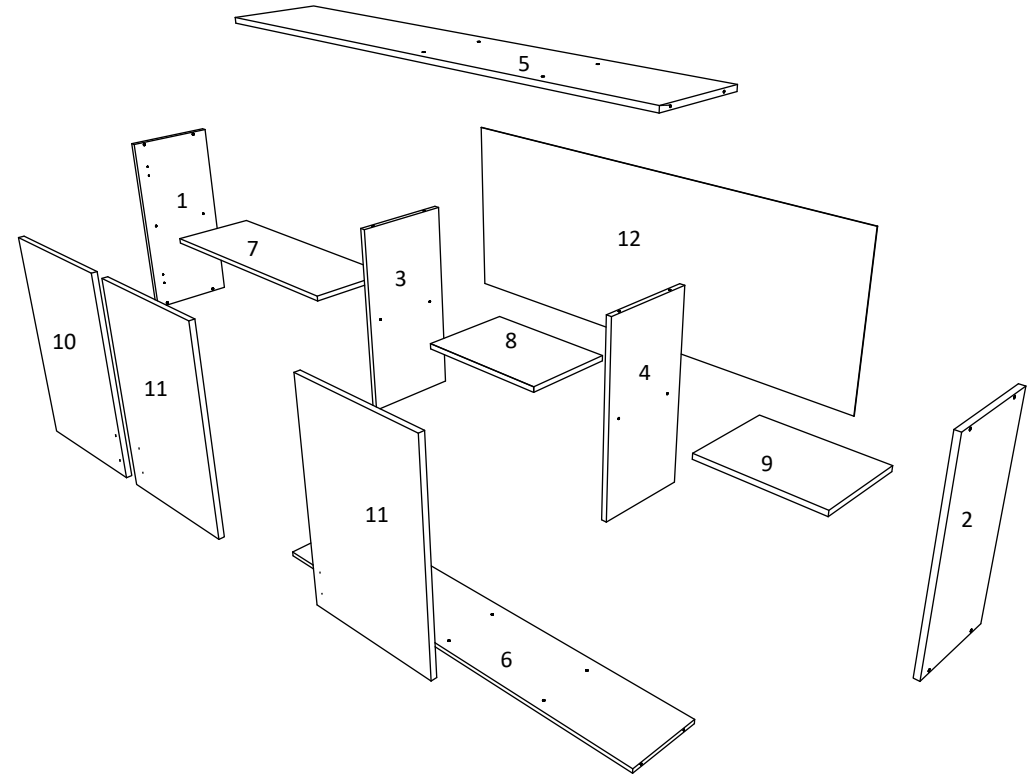
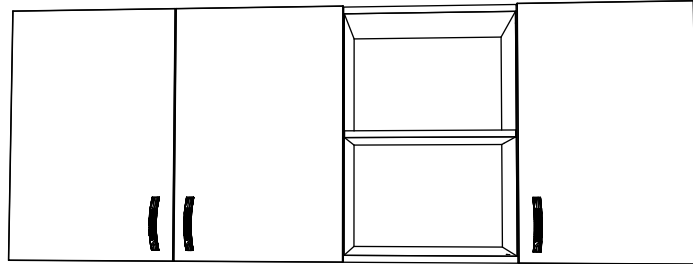
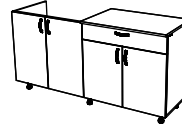
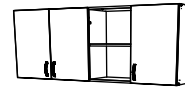


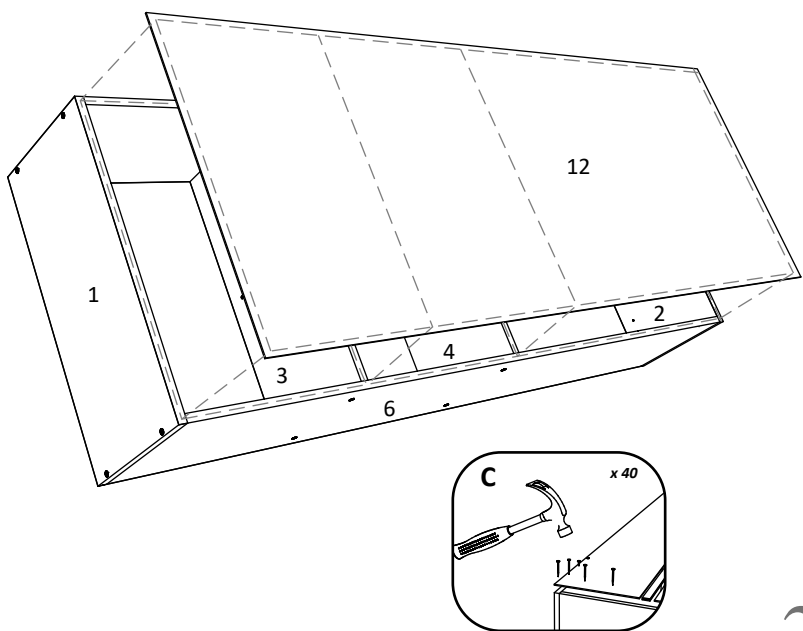
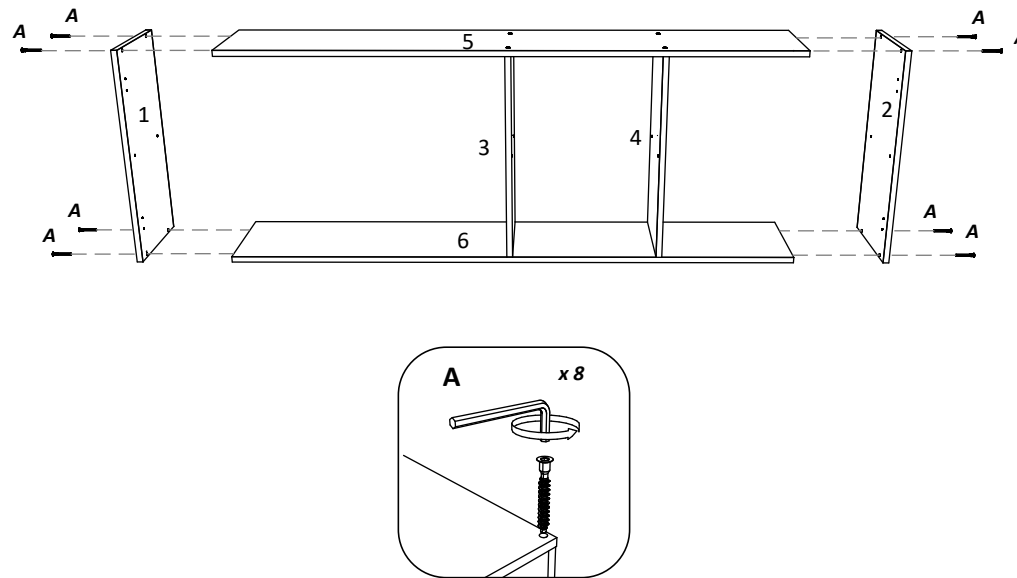
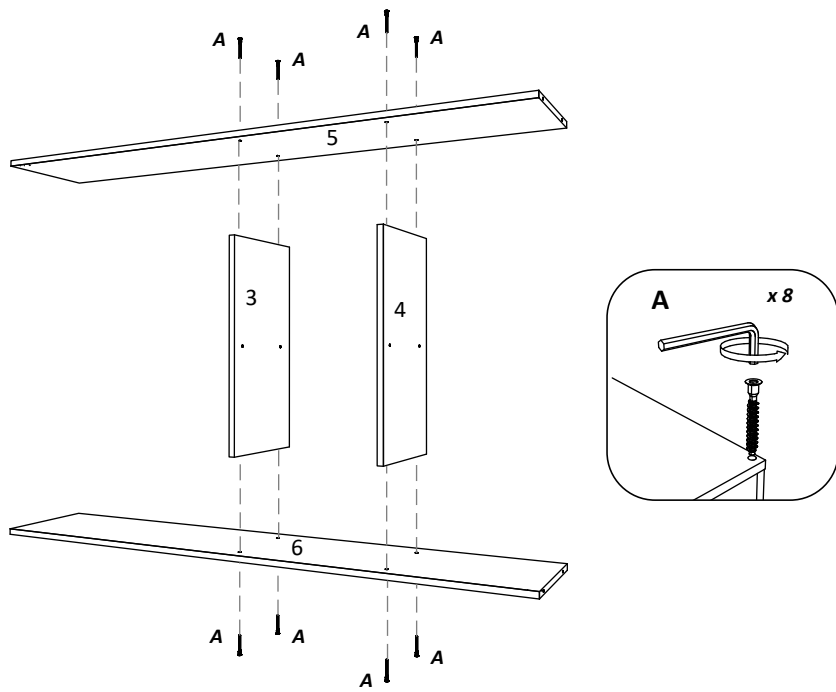
# SET BUCATARIE LENA L 160 cm

## CORP 2: 1600 x 300 x 600 mm



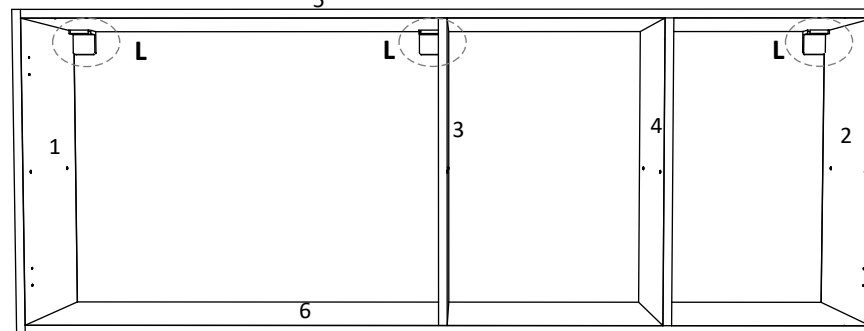
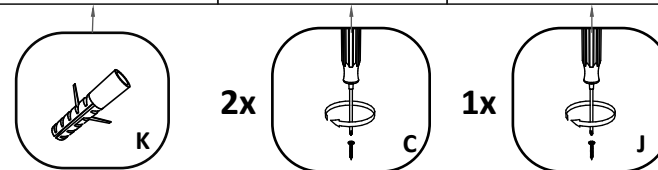
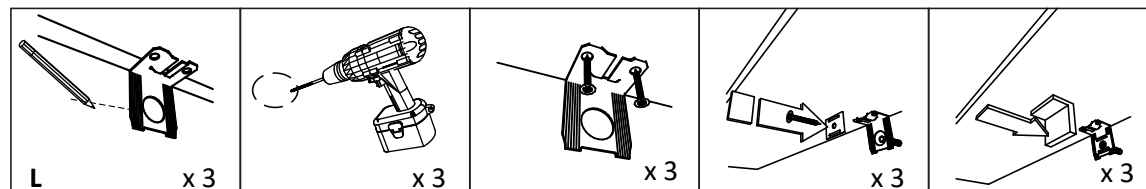
<b>A</b> 7x50mm  x 16	<b>B</b>  x 16	<b>C</b> 3.5 x 16 mm  x 30	<b>D</b> 96 mm  x 3	<b>E</b>  x 6
<b>F</b>  x 12	<b>G</b> M4 x 20 mm  x 6	<b>H</b>  x 40	<b>I</b>  x 1	<b>J</b> 6 x 80 mm  x 3
<b>K</b> 8 mm  x 3	<b>L</b>  x 3			

NUMBER	LENGTH	WIDTH	PCS.	COLOUR
1	600	280	1	WHITE
2	600	280	1	WHITE
3	568	280	1	WHITE
4	568	280	1	WHITE
5	1568	280	1	WHITE
6	1568	280	1	WHITE
7	768	280	1	WHITE
8	400	270	1	COLOUR
9	368	270	1	WHITE
10	596	396	1	COLOUR
11	596	396	2	COLOUR
12	1596	596	1	BACK PANNEL



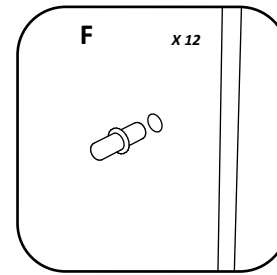
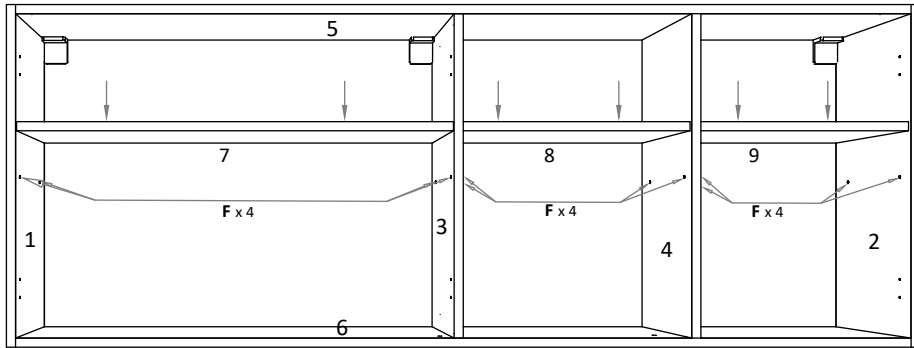
1

2

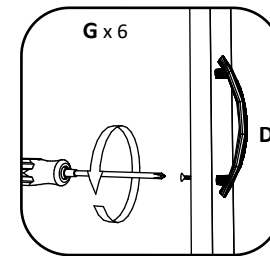
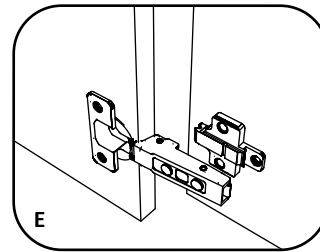
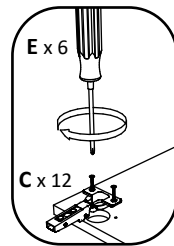
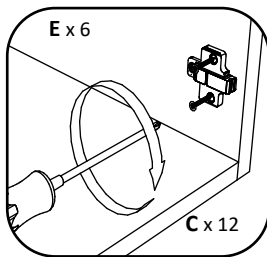
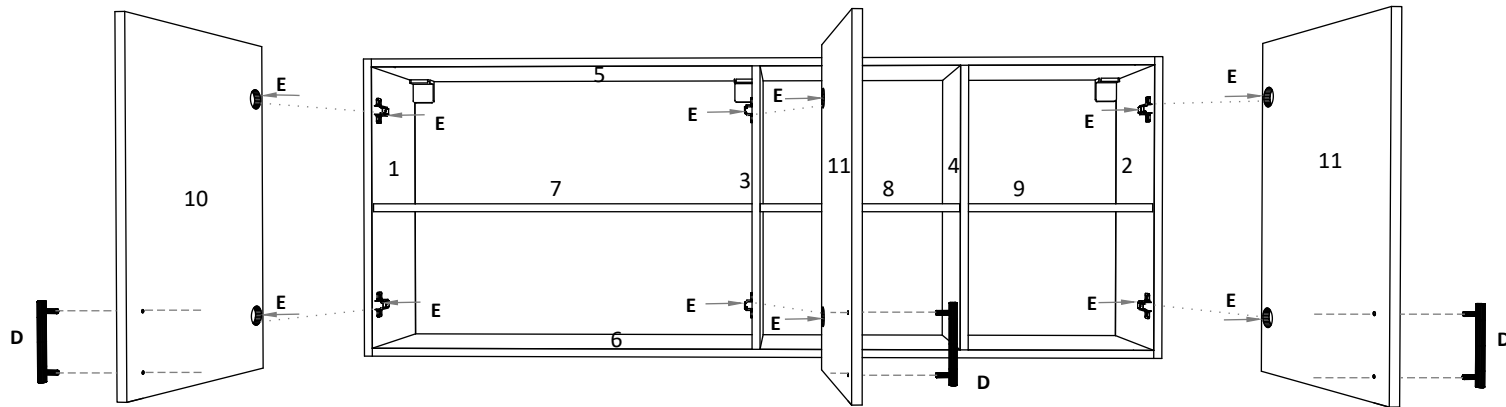


3

4



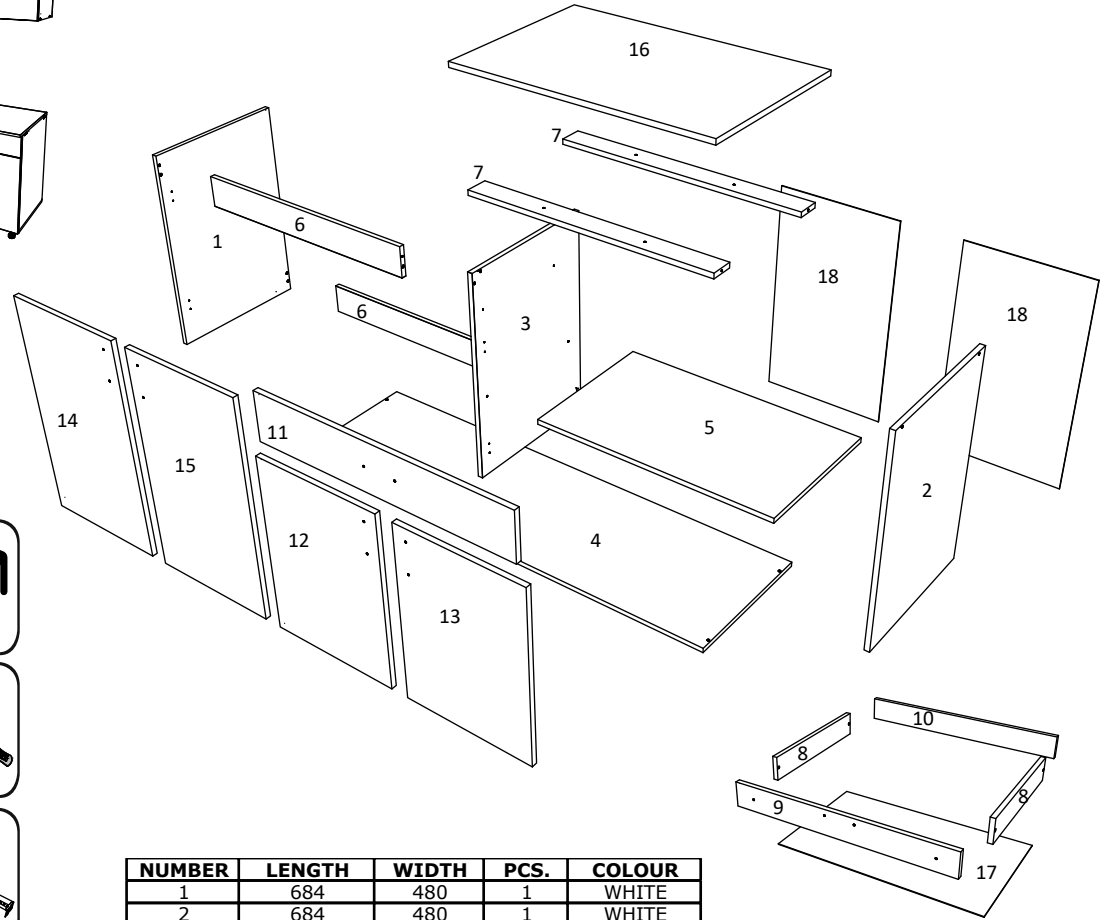
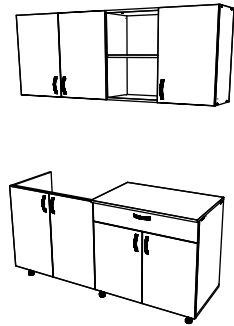
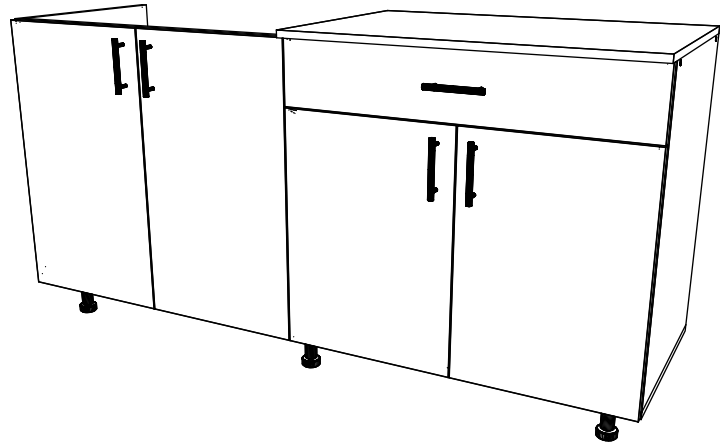
5



6

# SET BUCATARIE LENA L 160 cm

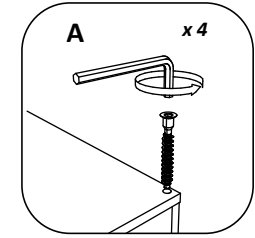
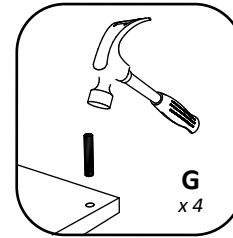
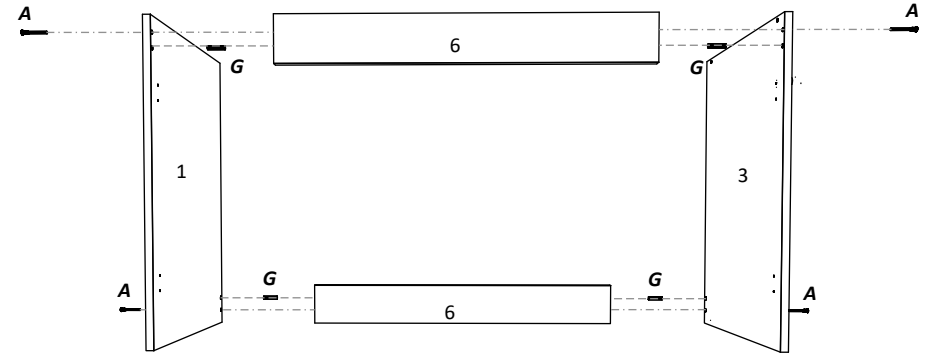
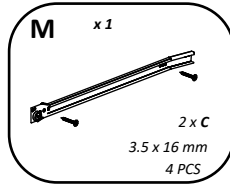
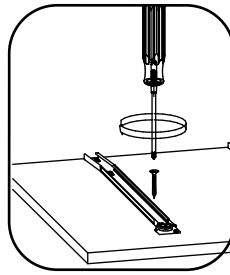
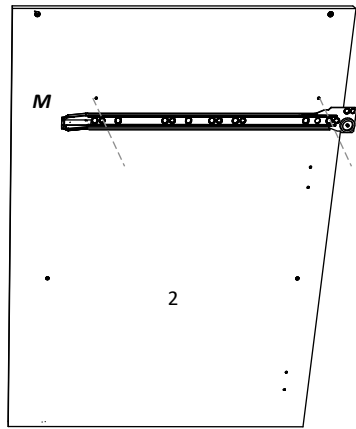
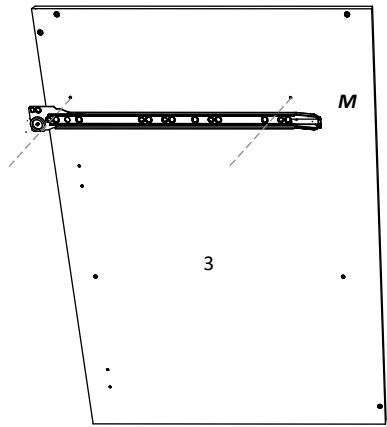
CORP 1: 1600 x 520 x 820 mm



<b>A</b> 7x50mm  x 14	<b>B</b>  x 8	<b>C</b> 3.5 x 16 mm  x 64	<b>D</b> 96 mm  x 5	<b>E</b>  x 4
<b>F</b>  x 4	<b>G</b>  x 4	<b>H</b>  x 60	<b>I</b> M4 x 20 mm  x 8	<b>J</b>  x 1
<b>K</b>  x 6	<b>L</b>  x 4	<b>M</b> 400 mm  x 1	<b>N</b> L = 665 mm  x 1	<b>O</b> M4 x 35 mm  x 2
<b>P</b> 3.5 x 25 mm  x 6	<b>R</b> 3.5 x 35 mm  x 4			

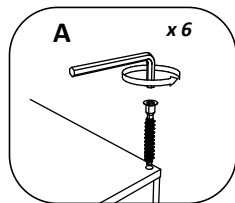
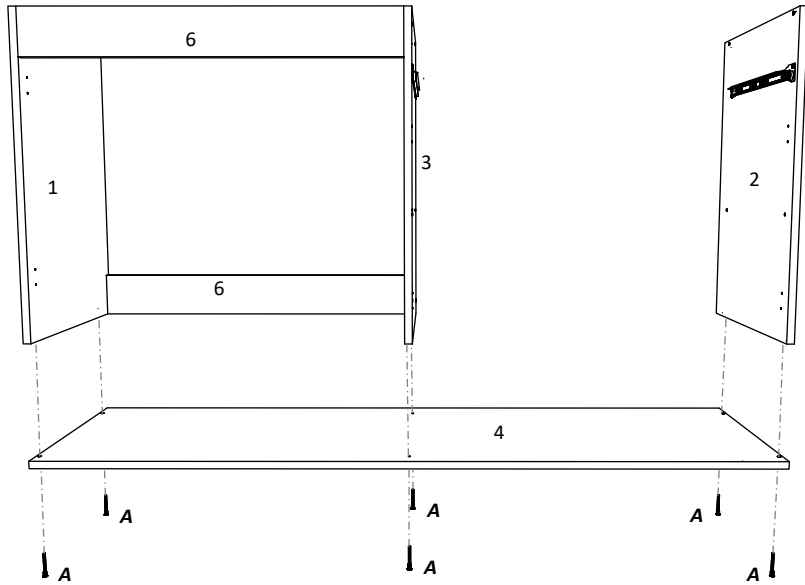


NUMBER	LENGTH	WIDTH	PCS.	COLOUR
1	684	480	1	WHITE
2	684	480	1	WHITE
3	684	480	1	WHITE
4	1600	480	1	WHITE
5	776	460	1	WHITE
6	776	100	2	WHITE
7	776	70	2	WHITE
8	400	80	2	WHITE
9	719	80	1	WHITE
10	719	80	1	WHITE
11	150	796	1	COLOUR
12	542	396	1	COLOUR
13	542	396	1	COLOUR
14	696	396	1	COLOUR
15	696	396	1	COLOUR
16	800	520	1	COLOUR
17	400	750	1	BACK PANNEL
18	696	396	2	BACK PANNEL

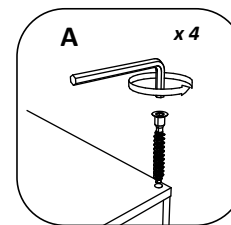
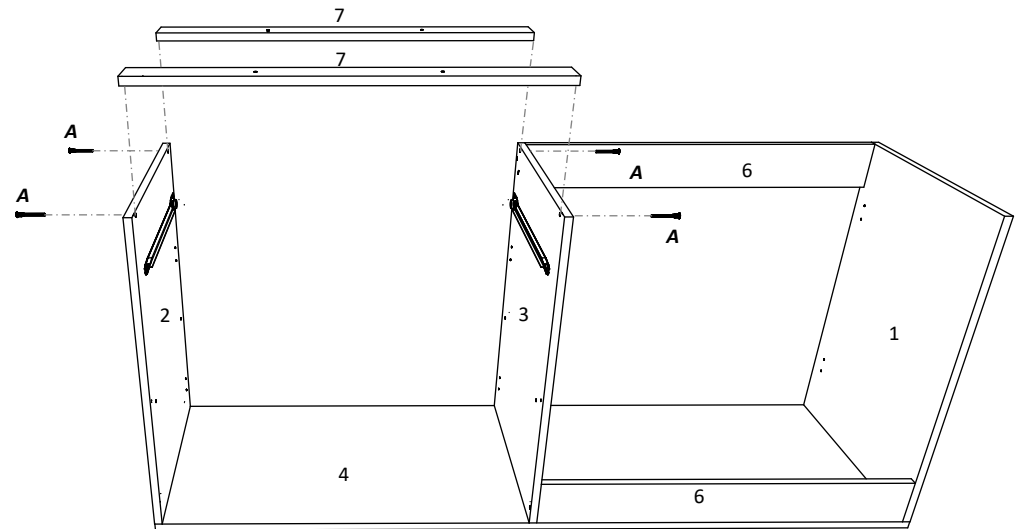


1

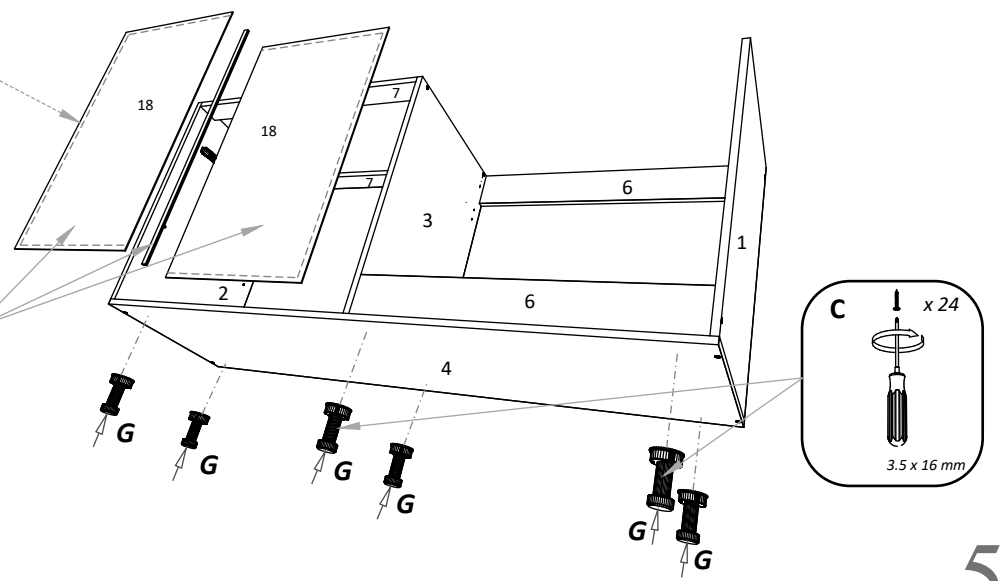
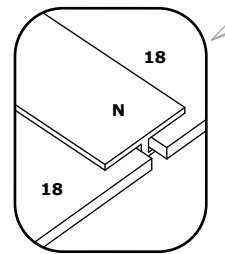
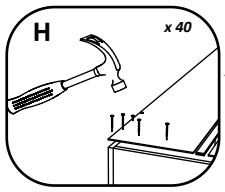
2



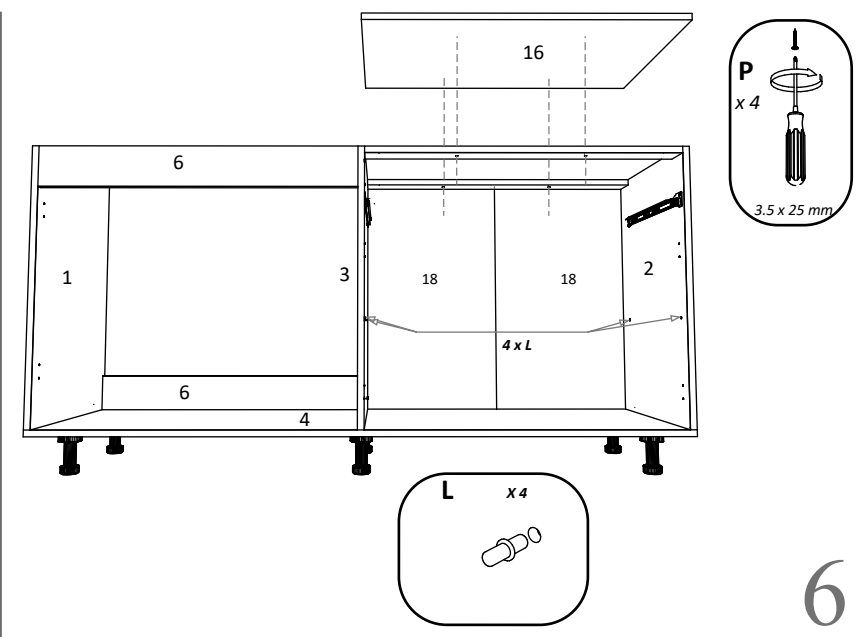
3



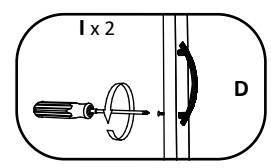
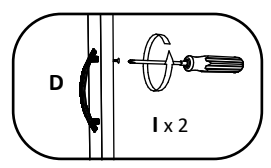
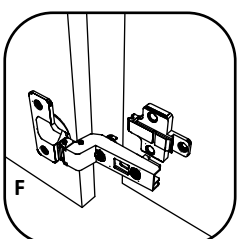
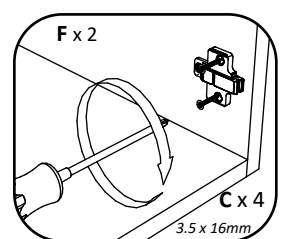
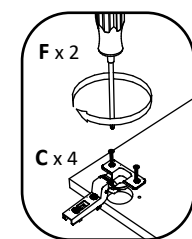
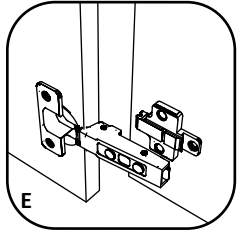
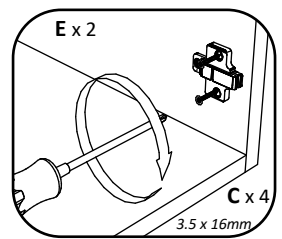
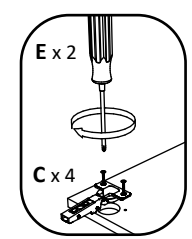
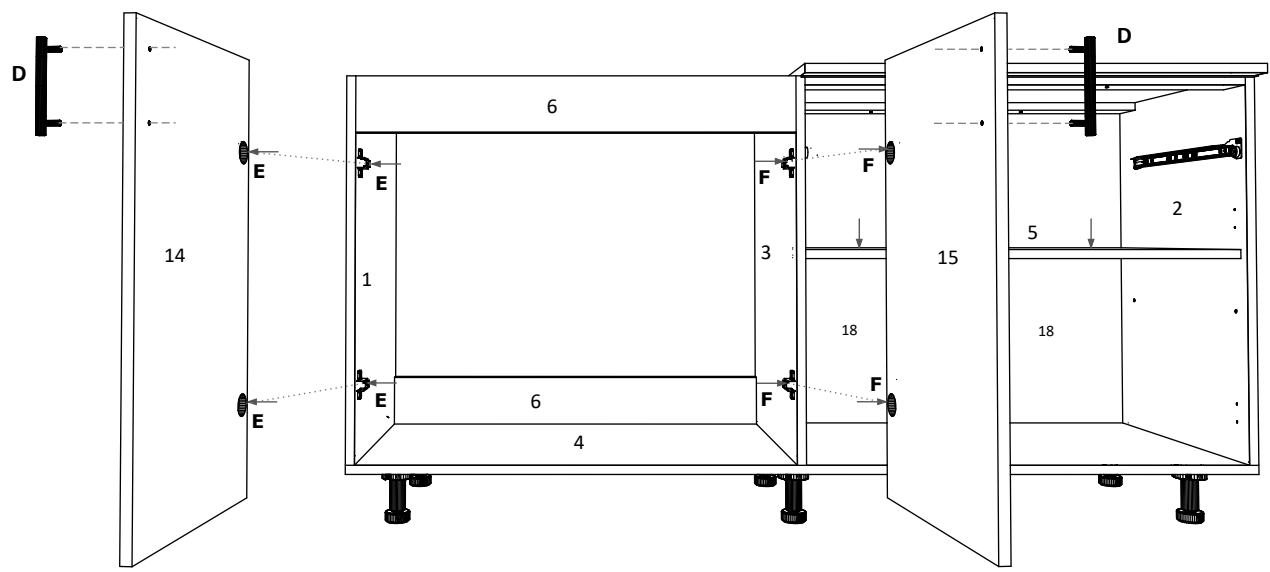
4



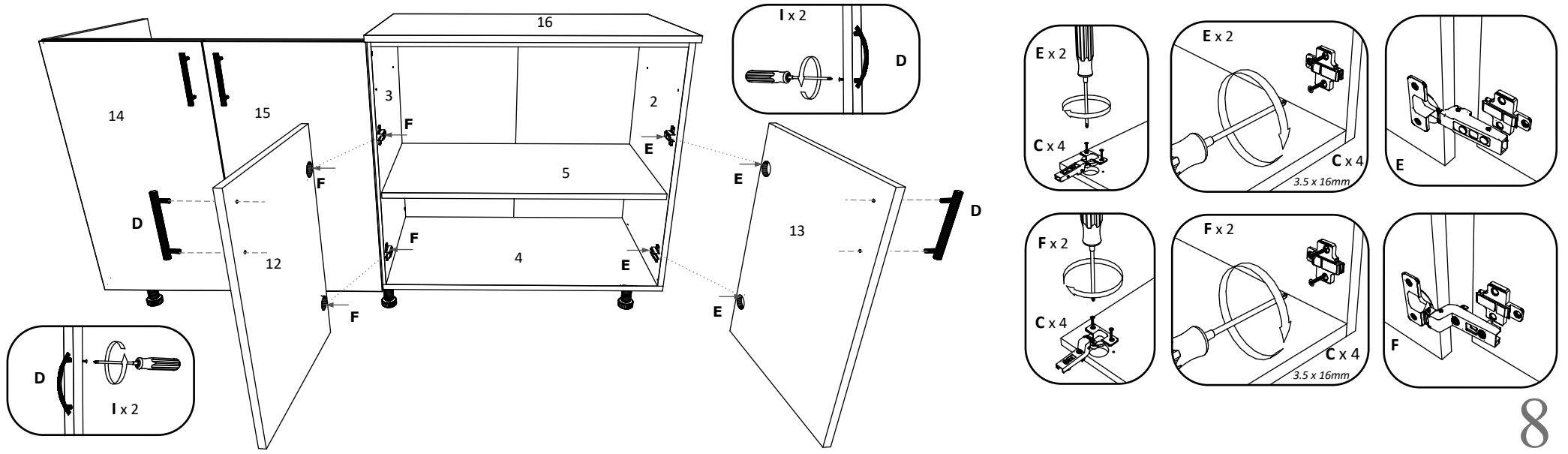
5



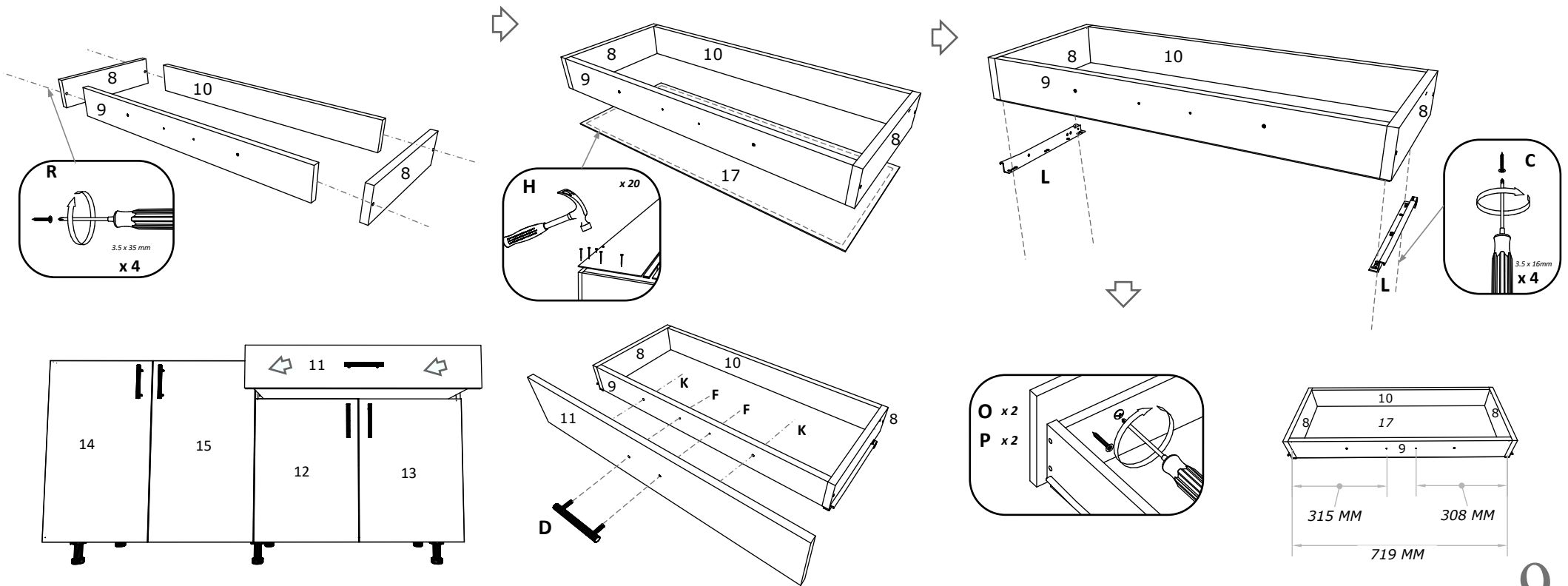
6



7



8



9