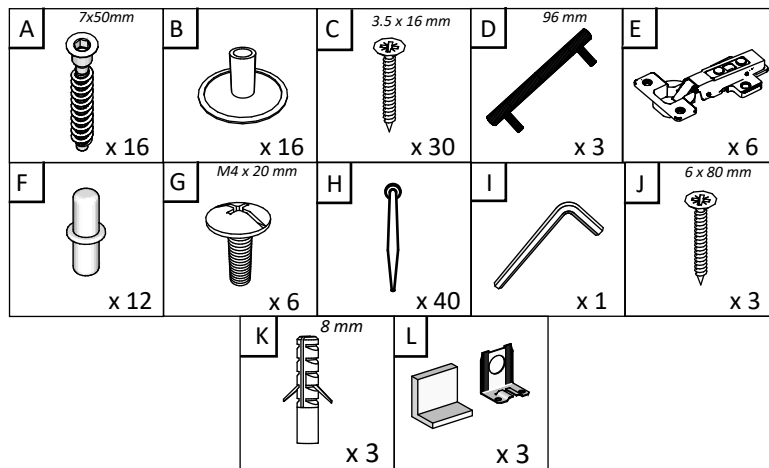
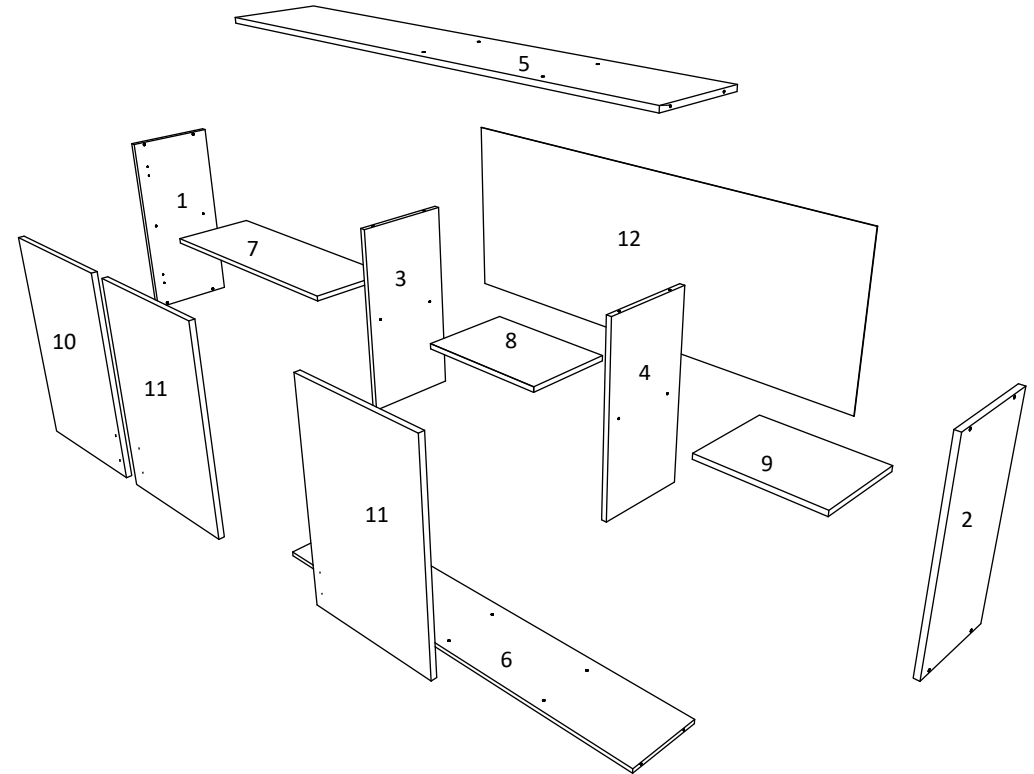
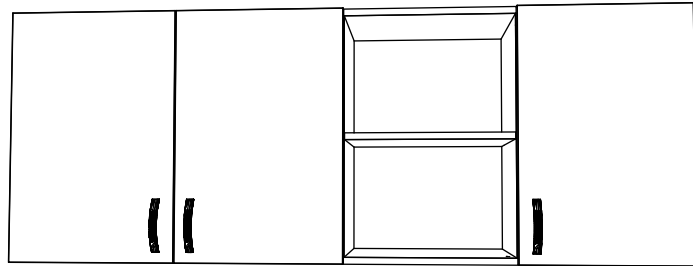
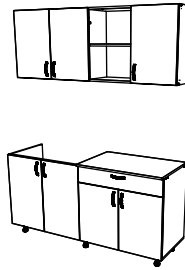
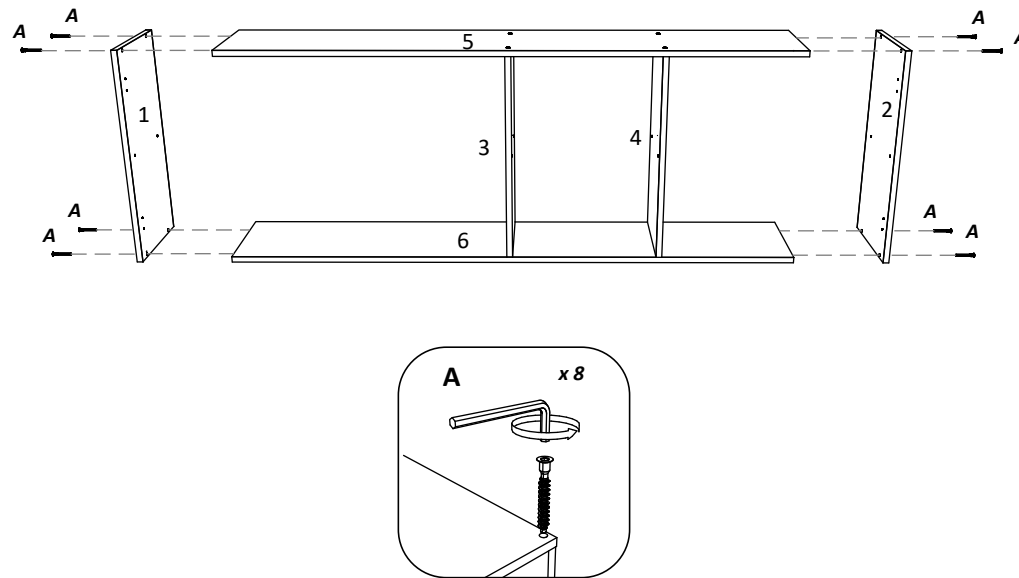
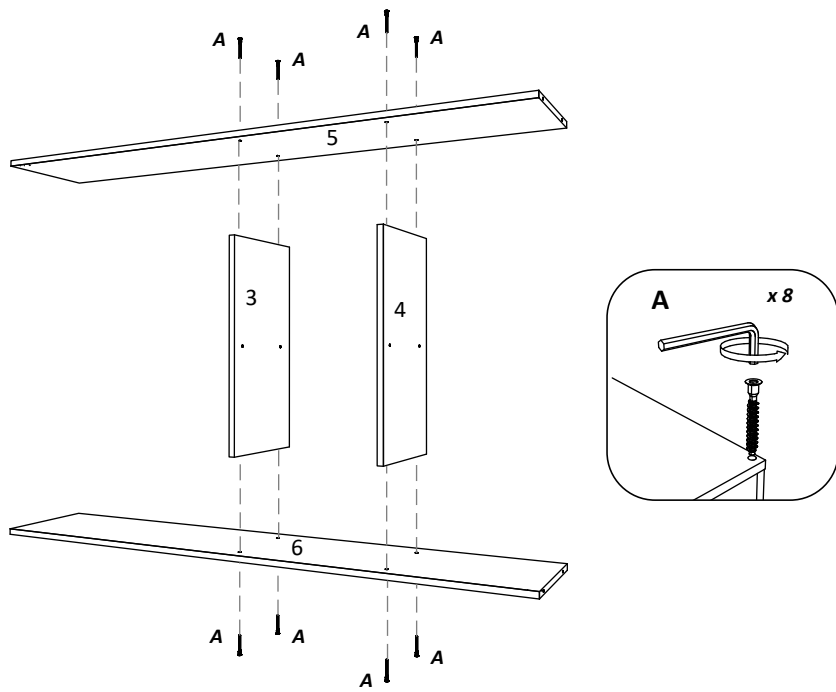


SET BUCATARIE LENA L 160 cm
CORP 2: 1600 x 300 x 600 mm

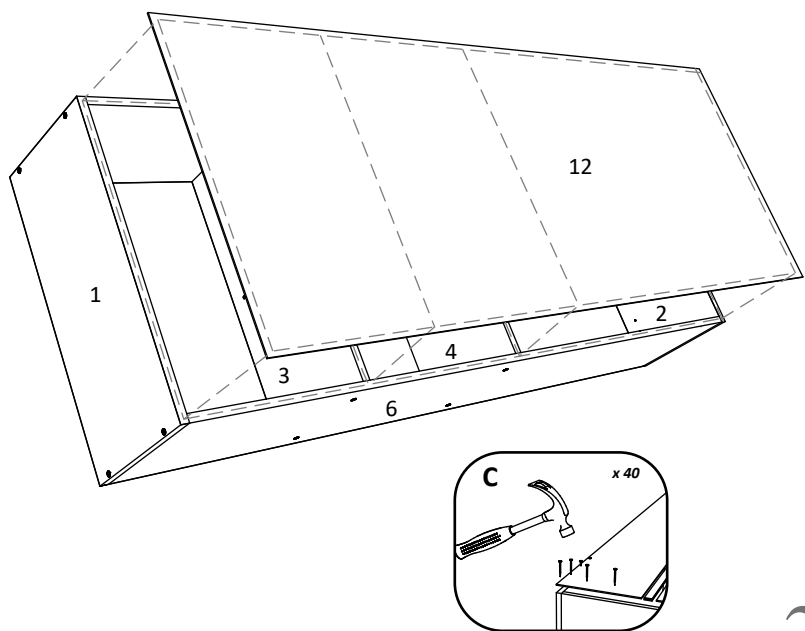


NUMBER	LENGTH	WIDTH	PCS.	COLOUR
1	600	280	1	WHITE
2	600	280	1	WHITE
3	568	280	1	WHITE
4	568	280	1	WHITE
5	1568	280	1	WHITE
6	1568	280	1	WHITE
7	768	280	1	WHITE
8	400	270	1	COLOUR
9	368	270	1	WHITE
10	596	396	1	COLOUR
11	596	396	2	COLOUR
12	1596	596	1	BACK PANNEL

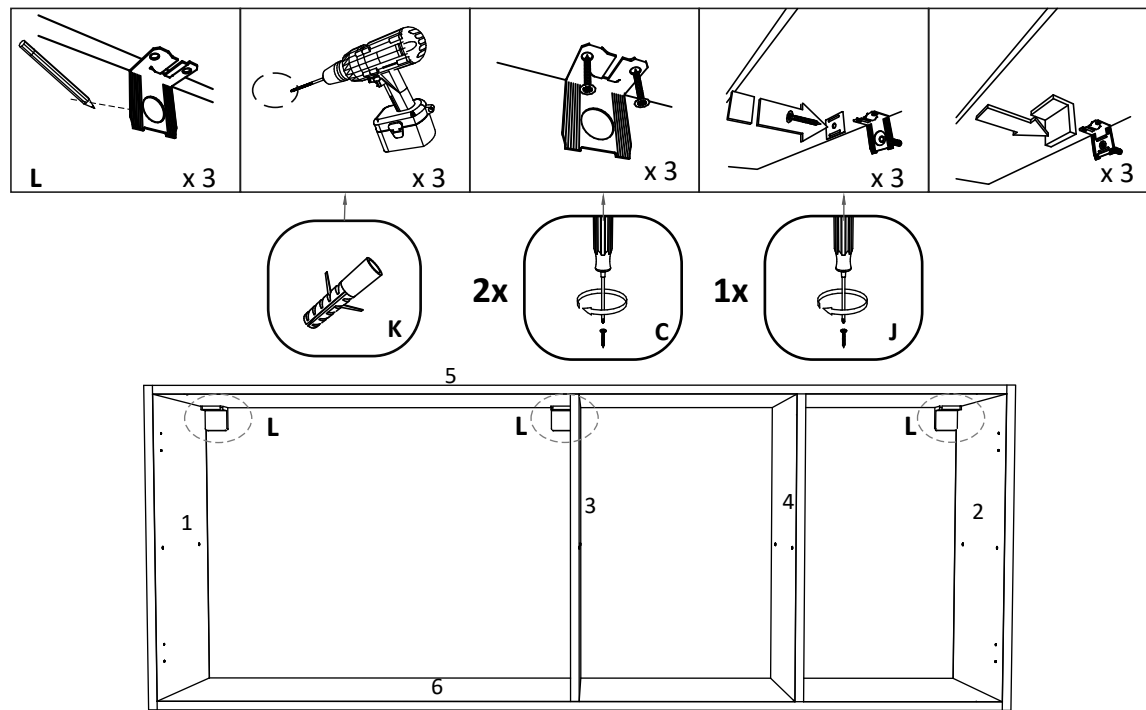


1

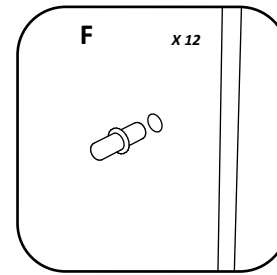
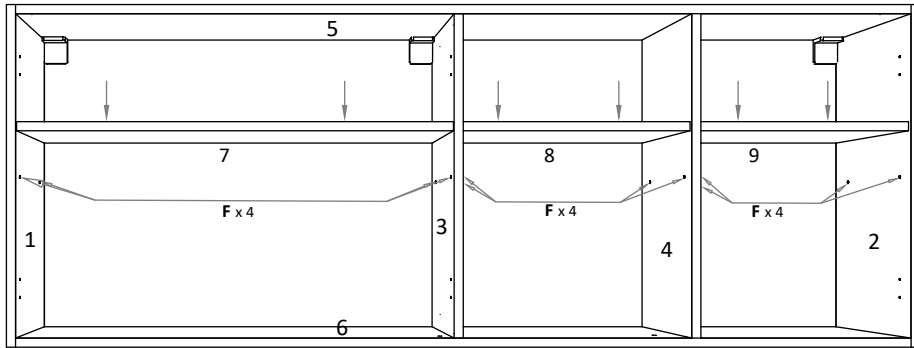
2



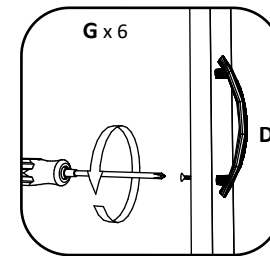
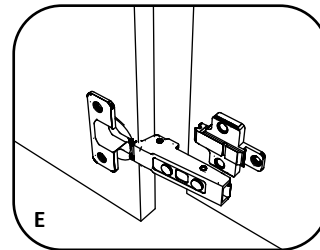
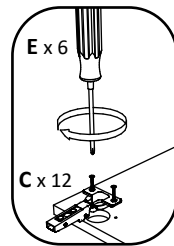
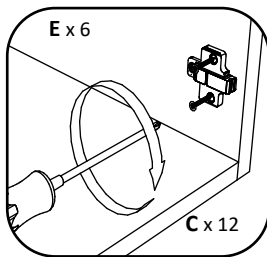
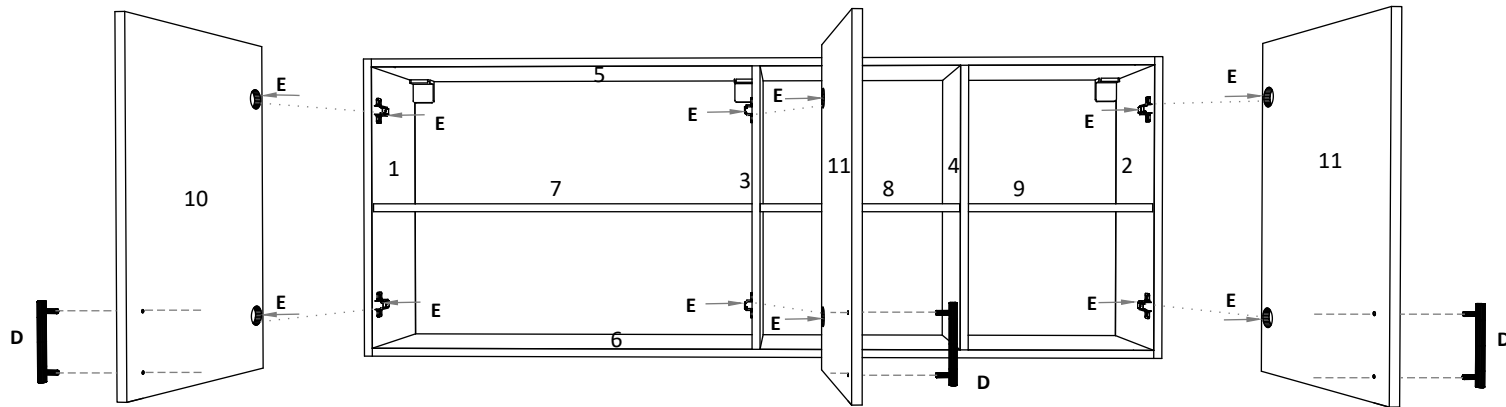
3



4



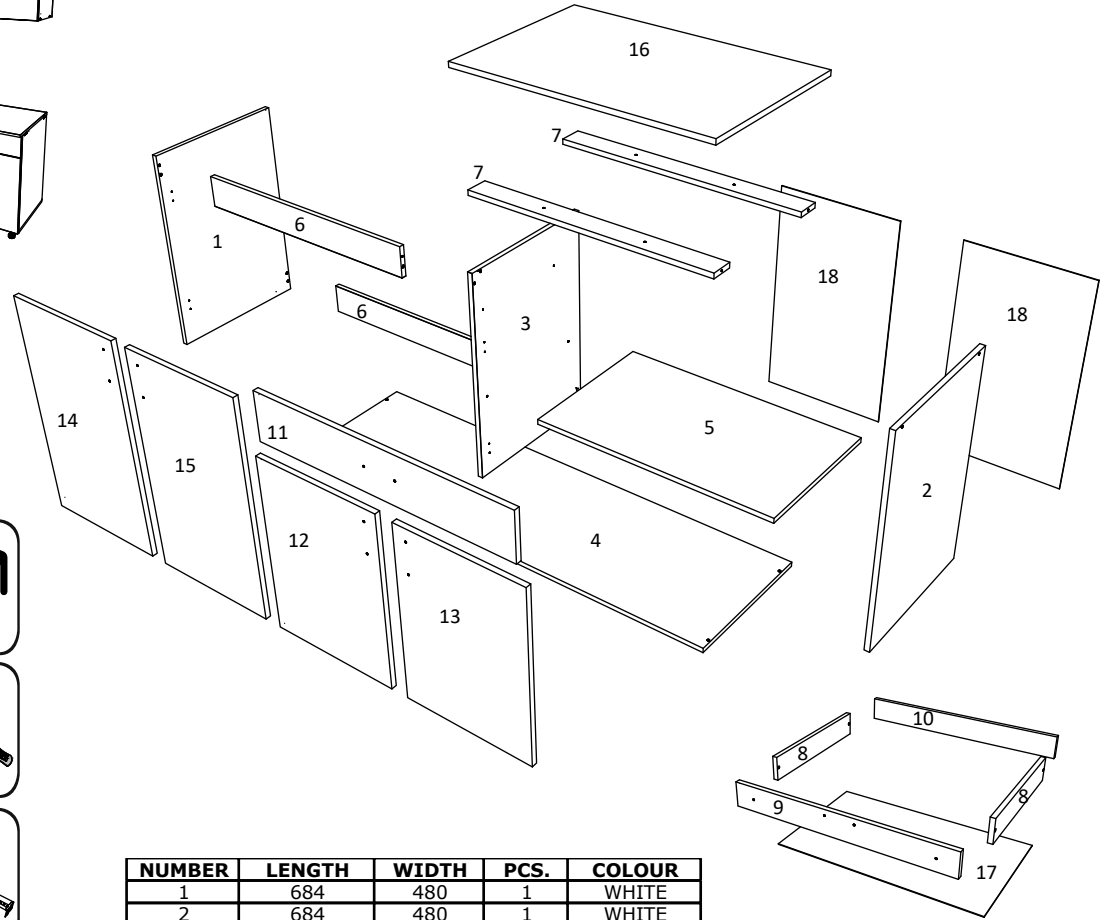
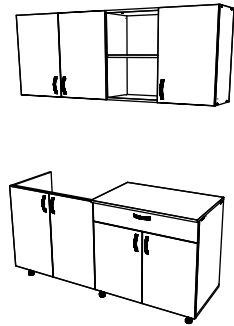
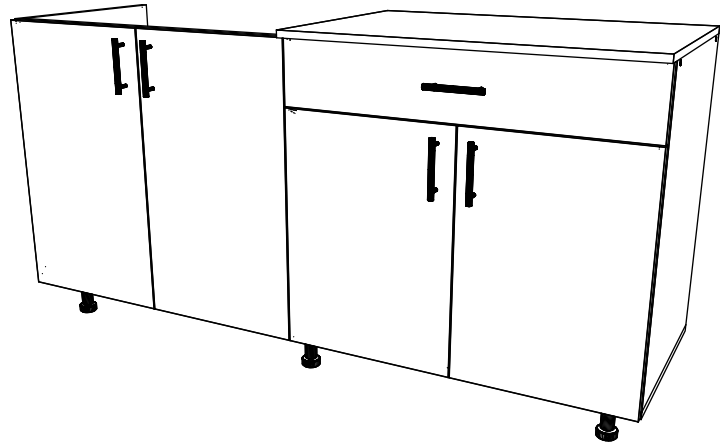
5



6

SET BUCATARIE LENA L 160 cm

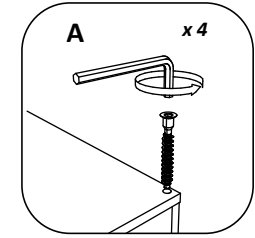
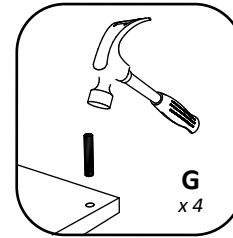
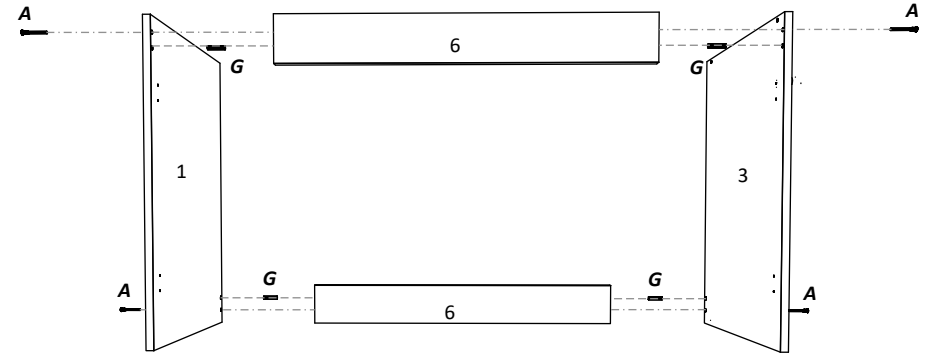
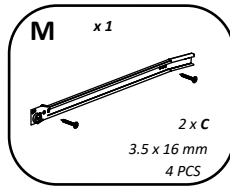
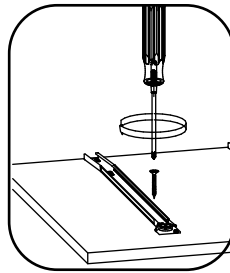
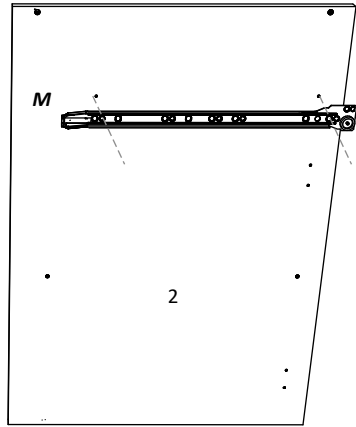
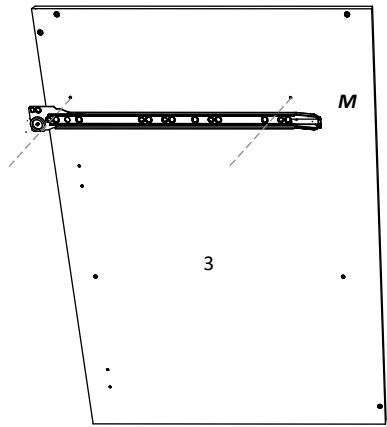
CORP 1: 1600 x 520 x 820 mm



A 7x50mm x 14	B x 8	C 3.5 x 16 mm x 64	D 96 mm x 5	E x 4
F x 4	G x 4	H x 60	I M4 x 20 mm x 8	J x 1
K x 6	L x 4	M 400 mm x 1	N L = 665 mm x 1	O M4 x 35 mm x 2
P 3.5 x 25 mm x 6	R 3.5 x 35 mm x 4			

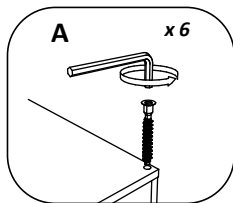
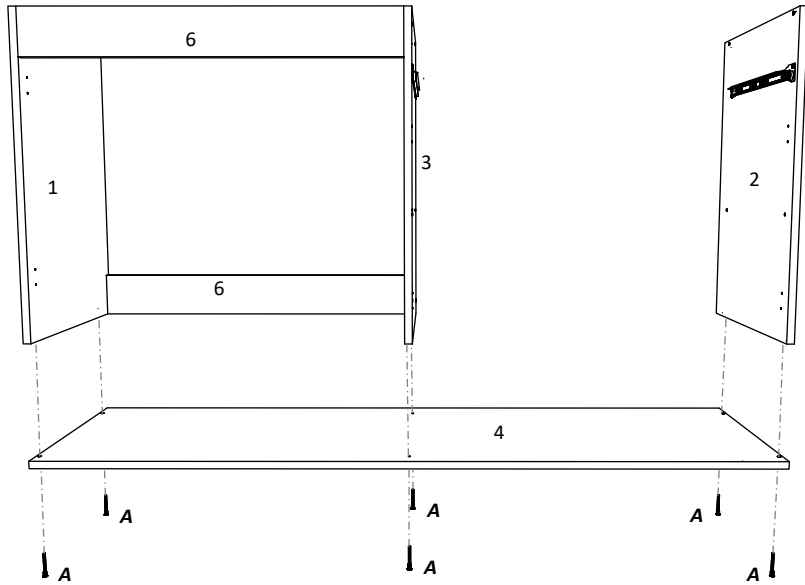


NUMBER	LENGTH	WIDTH	PCS.	COLOUR
1	684	480	1	WHITE
2	684	480	1	WHITE
3	684	480	1	WHITE
4	1600	480	1	WHITE
5	776	460	1	WHITE
6	776	100	2	WHITE
7	776	70	2	WHITE
8	400	80	2	WHITE
9	719	80	1	WHITE
10	719	80	1	WHITE
11	150	796	1	COLOUR
12	542	396	1	COLOUR
13	542	396	1	COLOUR
14	696	396	1	COLOUR
15	696	396	1	COLOUR
16	800	520	1	COLOUR
17	400	750	1	BACK PANNEL
18	696	396	2	BACK PANNEL

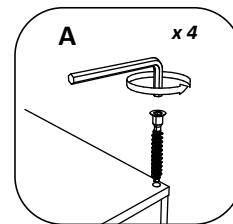
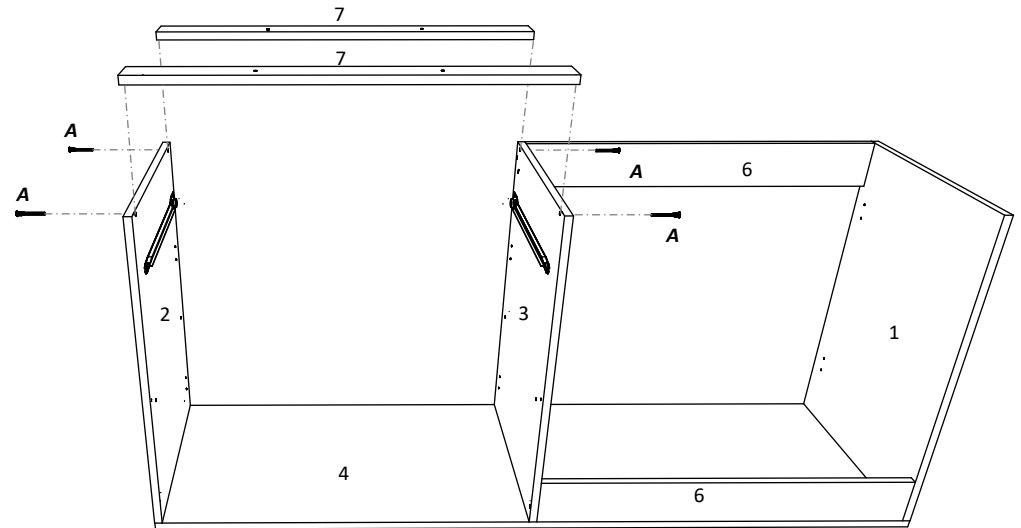


1

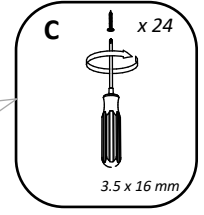
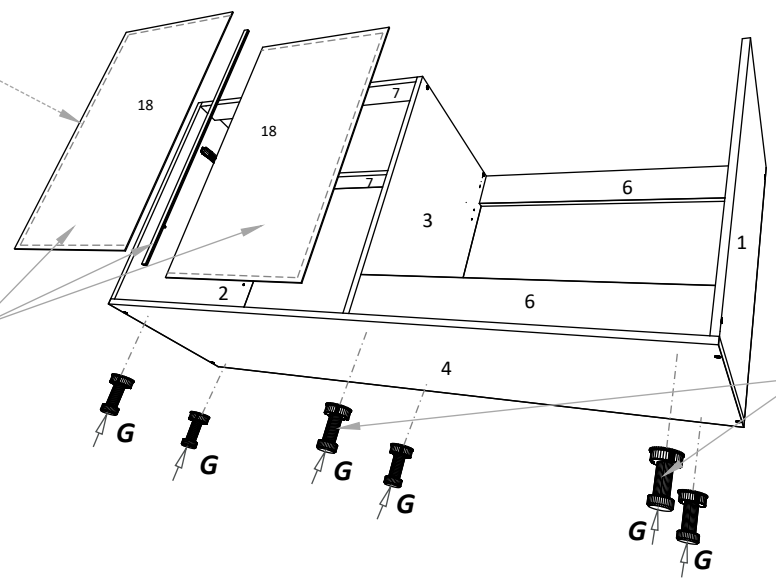
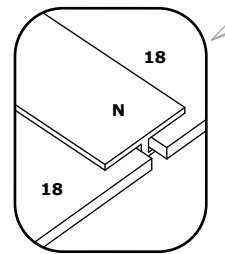
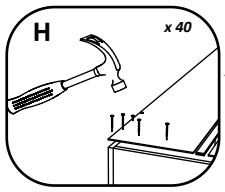
2



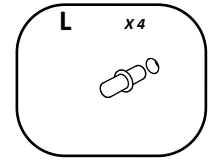
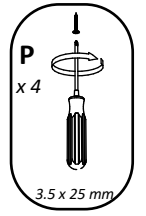
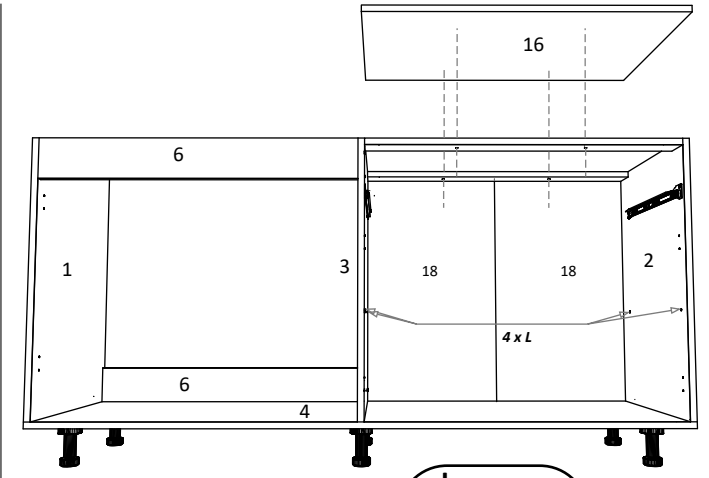
3



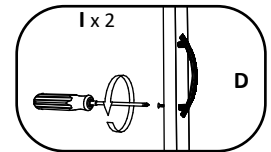
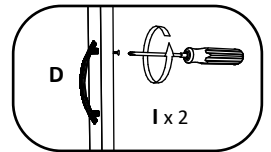
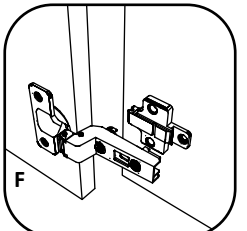
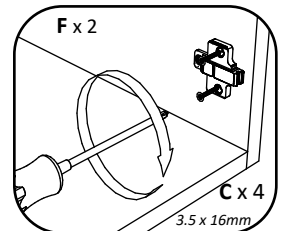
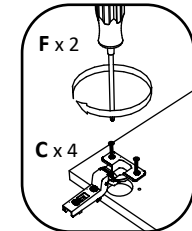
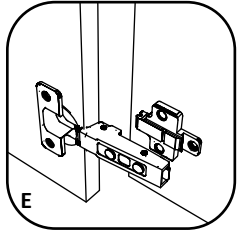
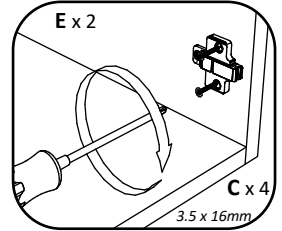
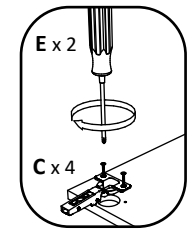
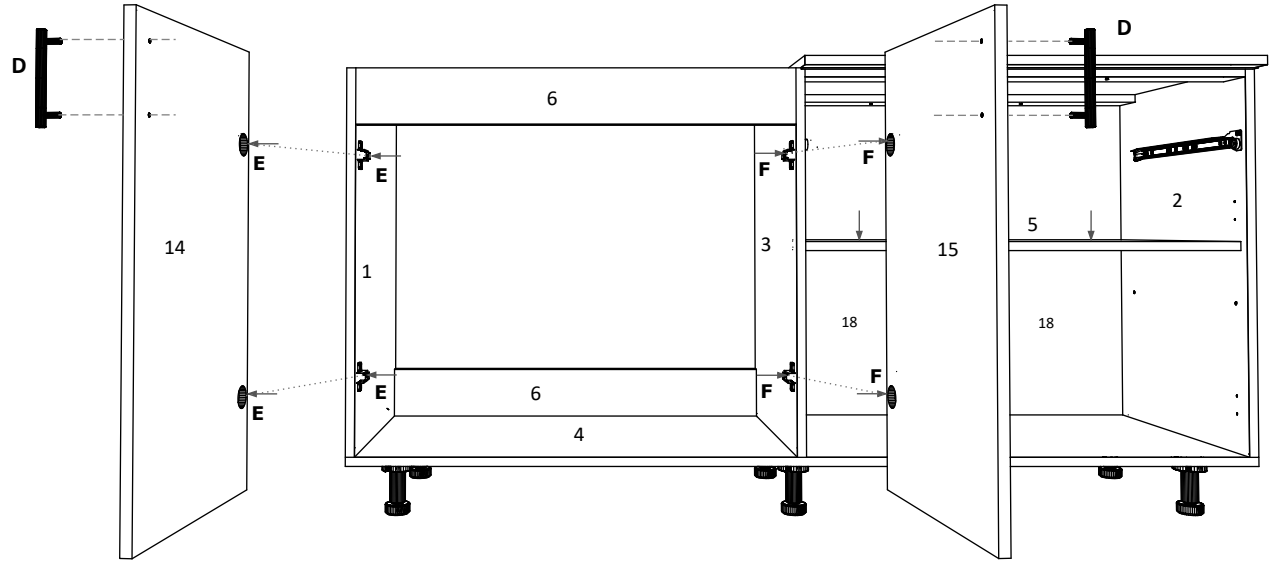
4



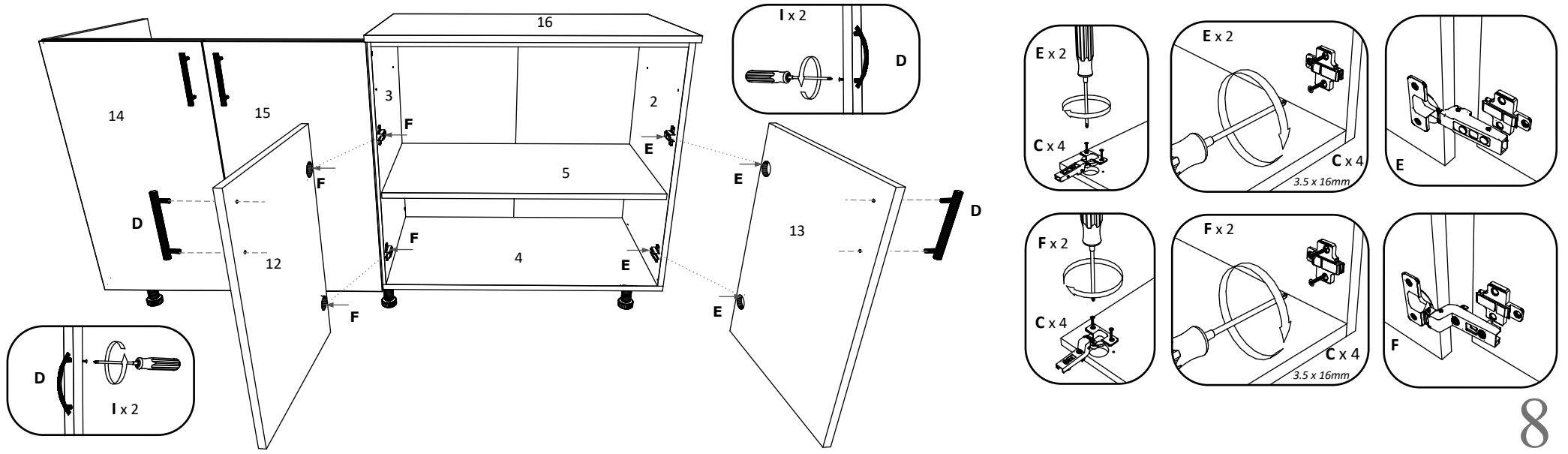
5



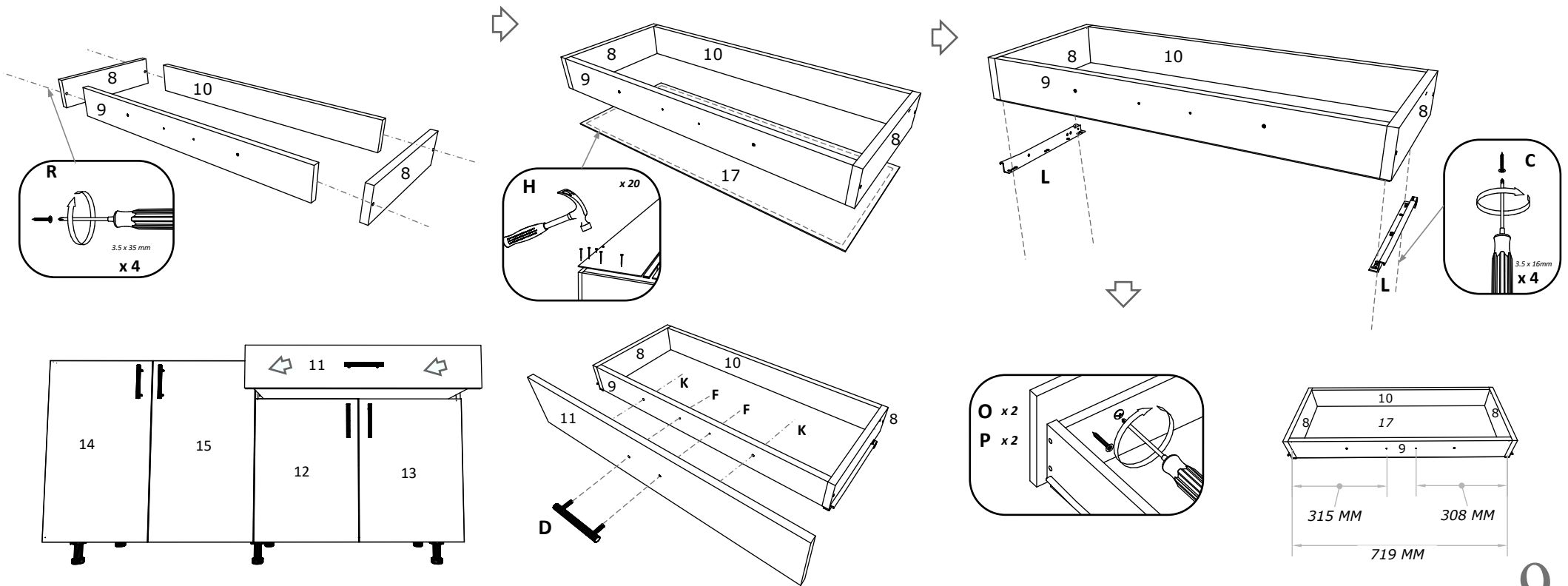
6



7



8



9