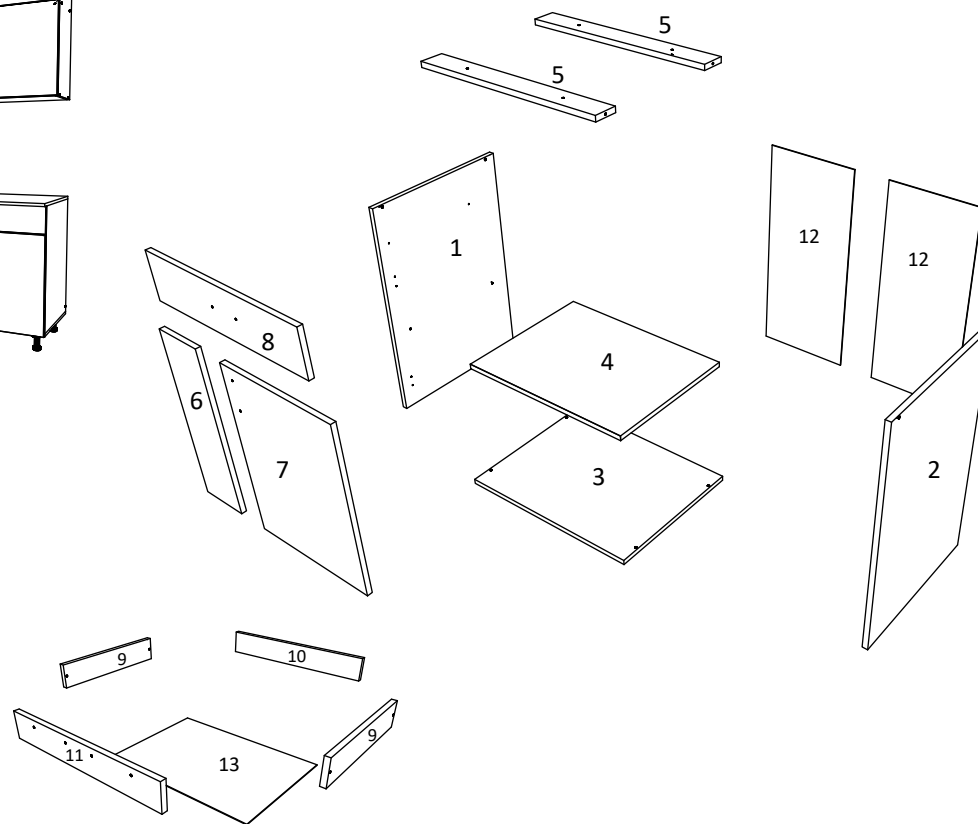
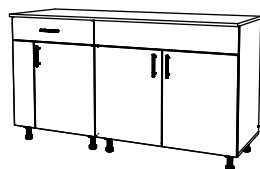
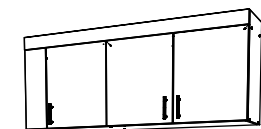


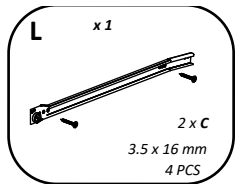
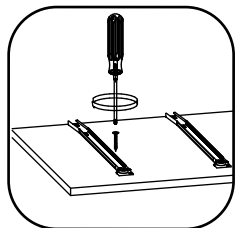
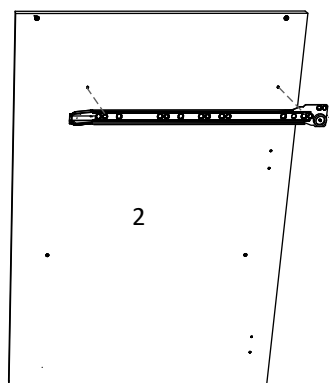
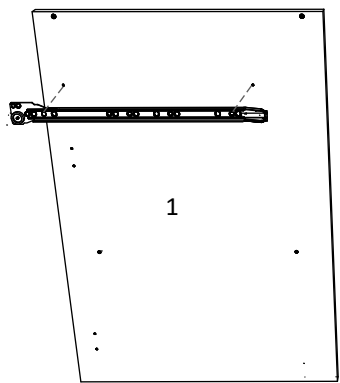
SET BUCATARIE INES L 150 cm

CORP 1: 400 x 500 x 820 mm

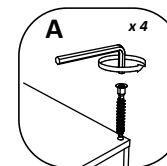
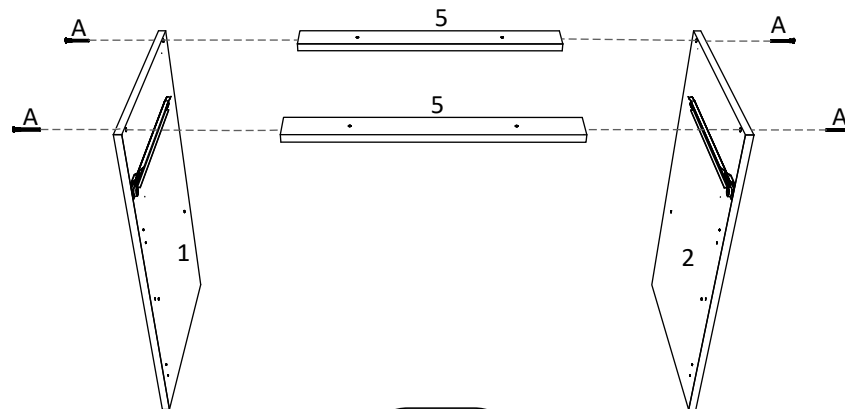


A 7x50mm x 8	B x 4	C 3.5 x 16 mm x 48	D 96 mm x 2	E x 4
F M4 x 35 mm x 2	G x 4	H x 40	I M4 x 20 mm x 2	J x 1
K 3.5 x 25 mm x 6	L 400 mm x 1	M x 4	N L = 688 mm x 1	O 3.5 x 35 mm x 4

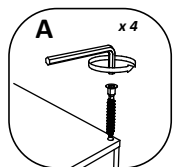
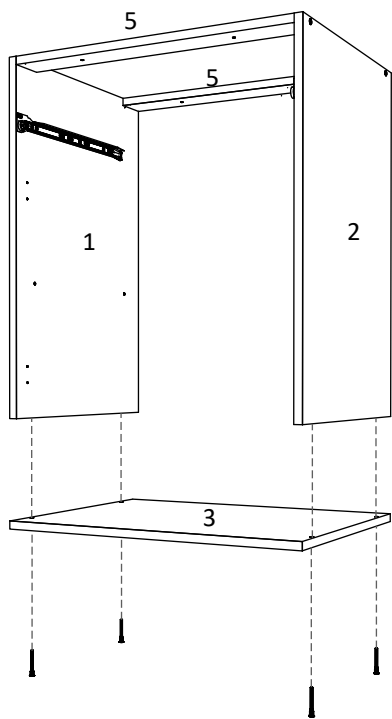
NUMBER	LENGTH	WIDTH	PCS	COLOUR
1/2	704	480	2	COLOUR 1
3	612	480	1	COLOUR 1
4	580	450	1	COLOUR 1
5	580	70	2	COLOUR 1
6	562	164	1	COLOUR 1
7	562	440	1	COLOUR 1
8	150	608	1	COLOUR 1
9	400	80	2	COLOUR 1
10/11	523	80	1	COLOUR 1
12	716	304	2	BACK PANNEL
13	400	555	1	BACK PANNEL



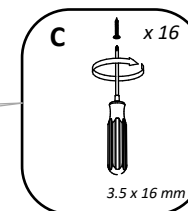
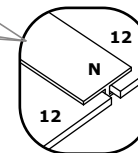
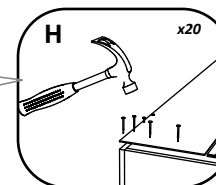
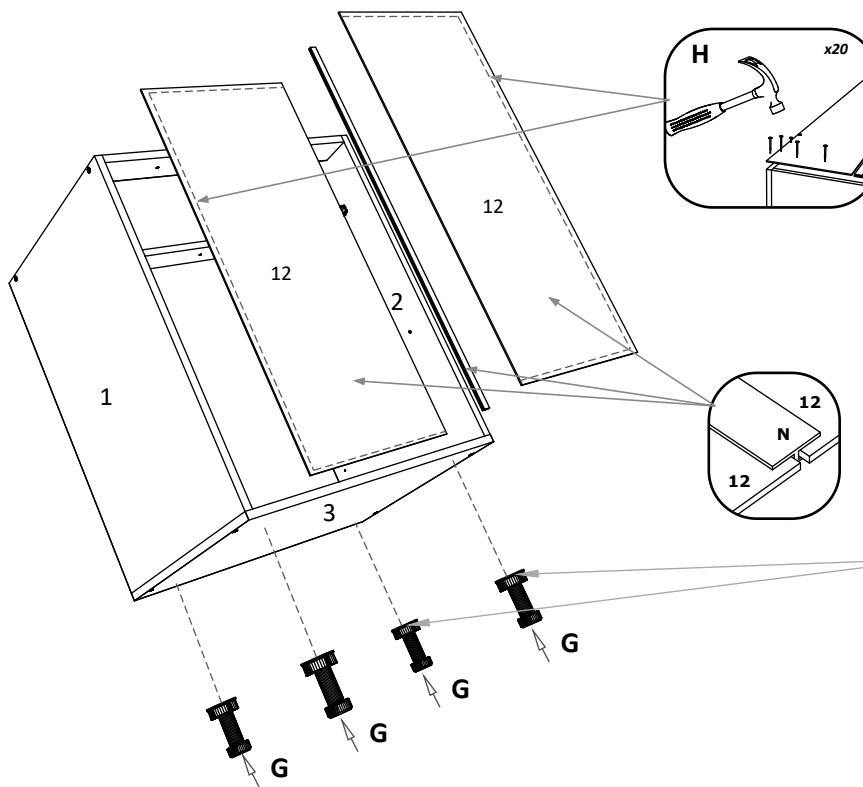
1



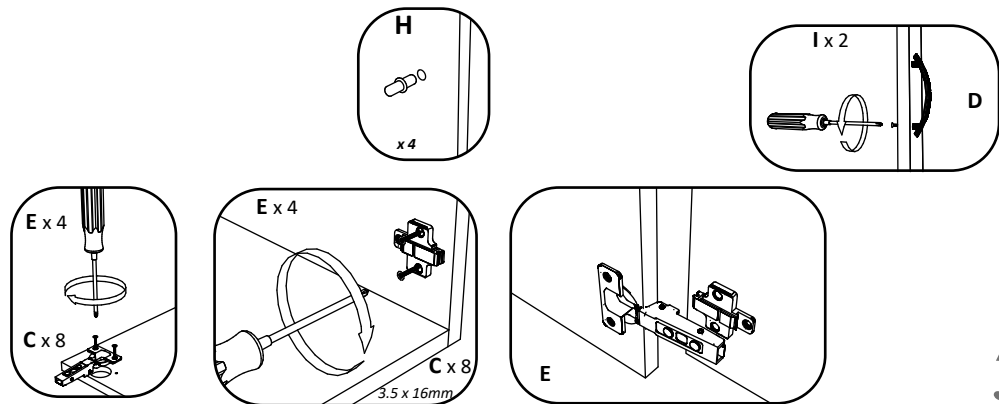
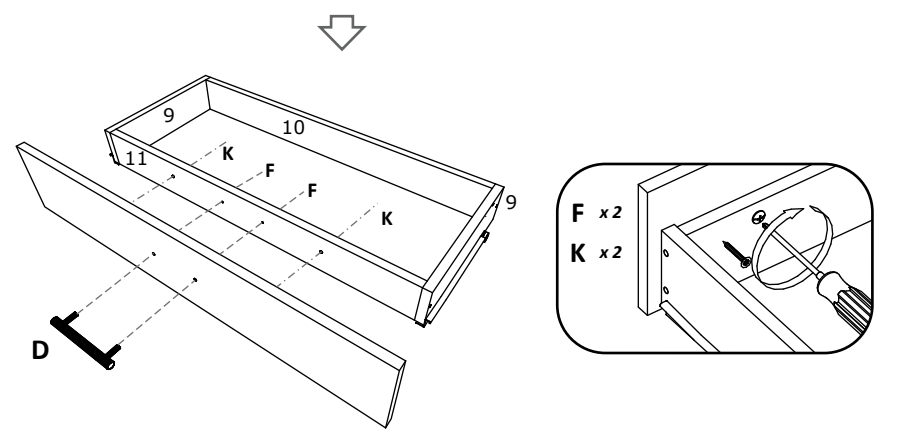
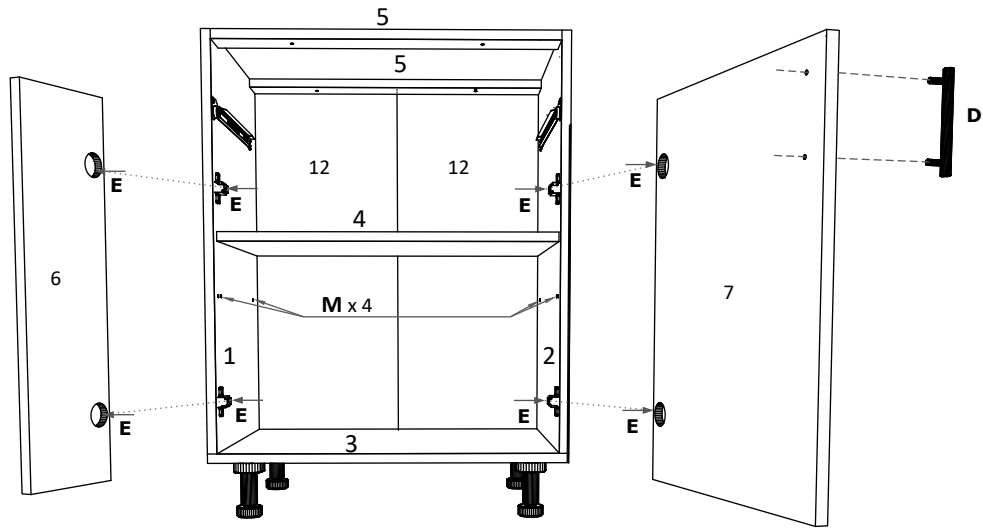
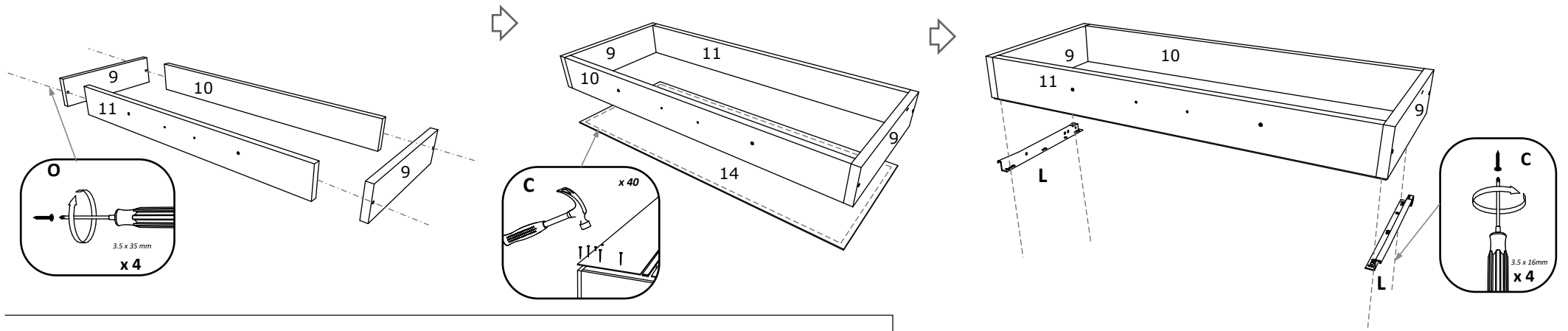
2



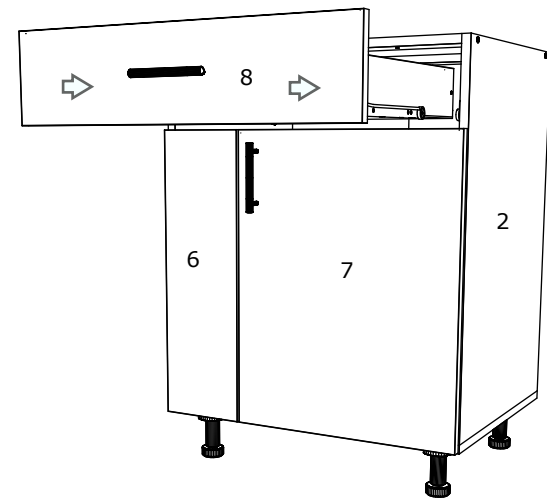
3



4



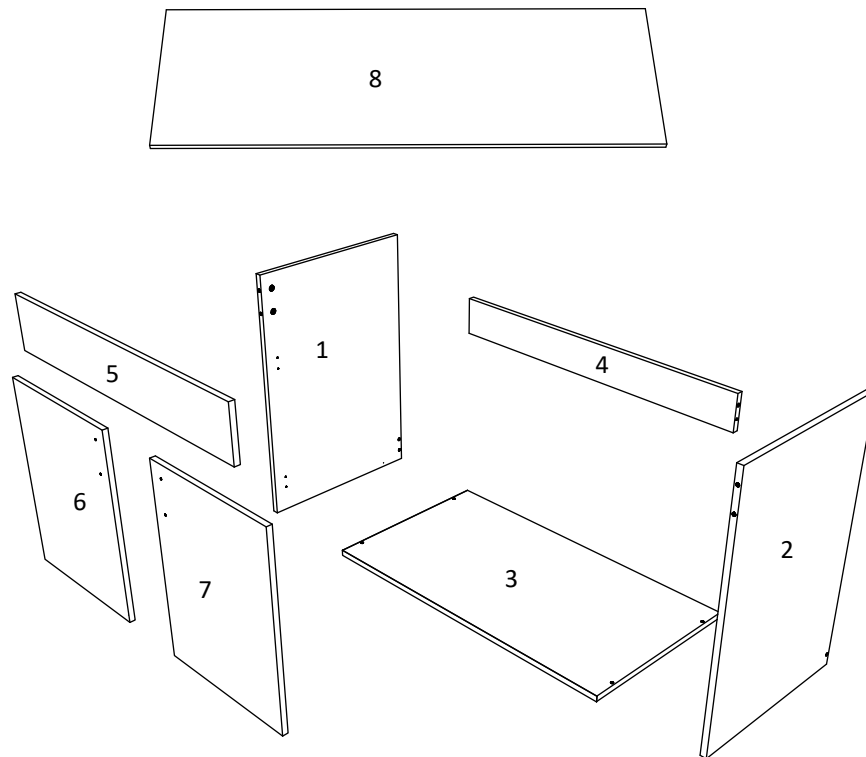
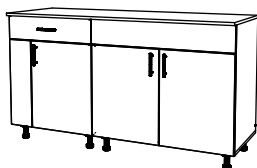
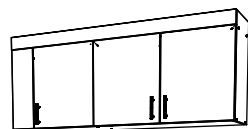
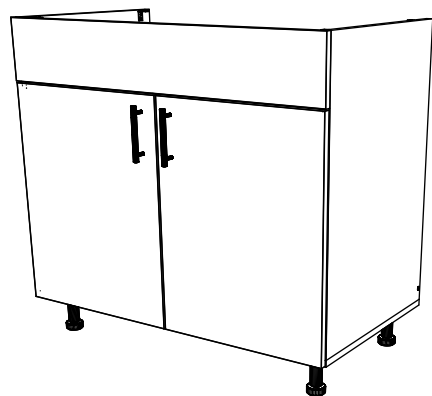
5



6

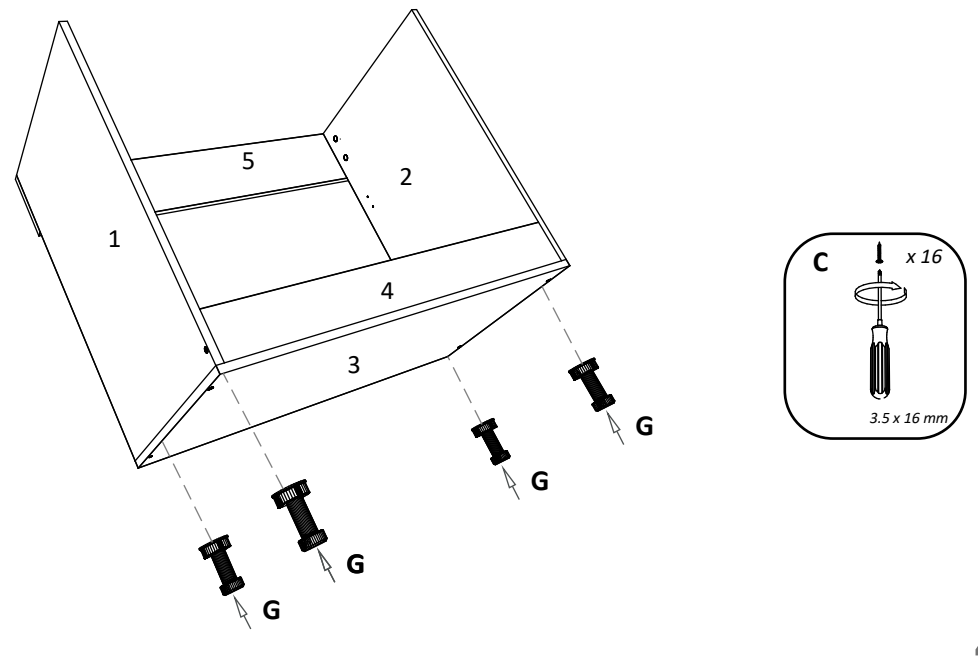
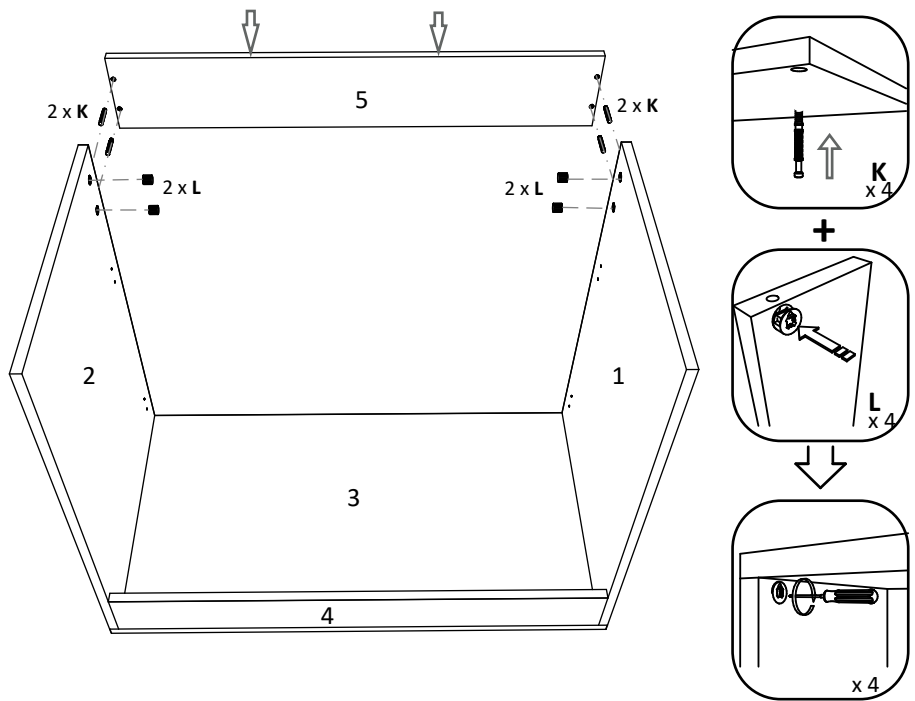
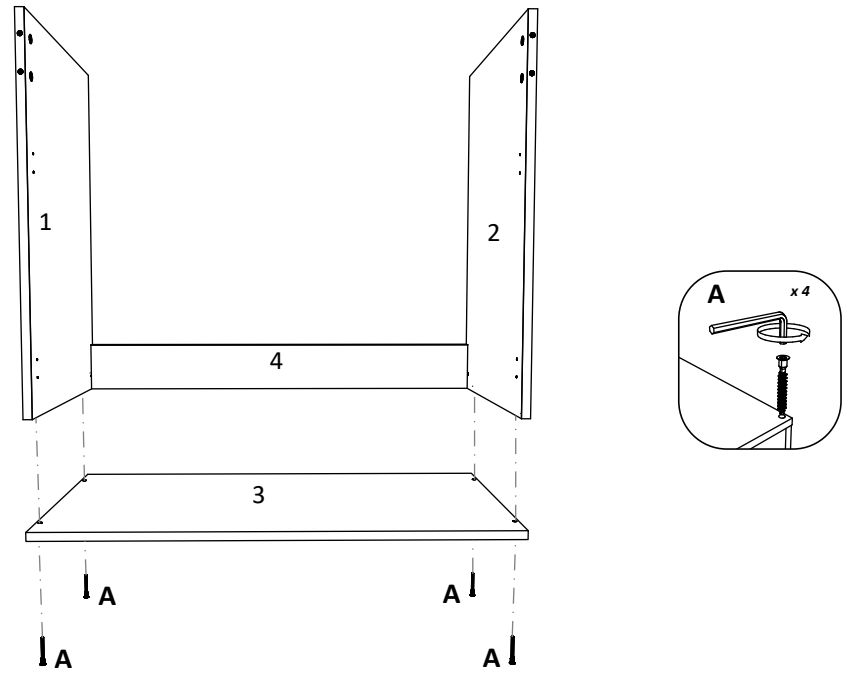
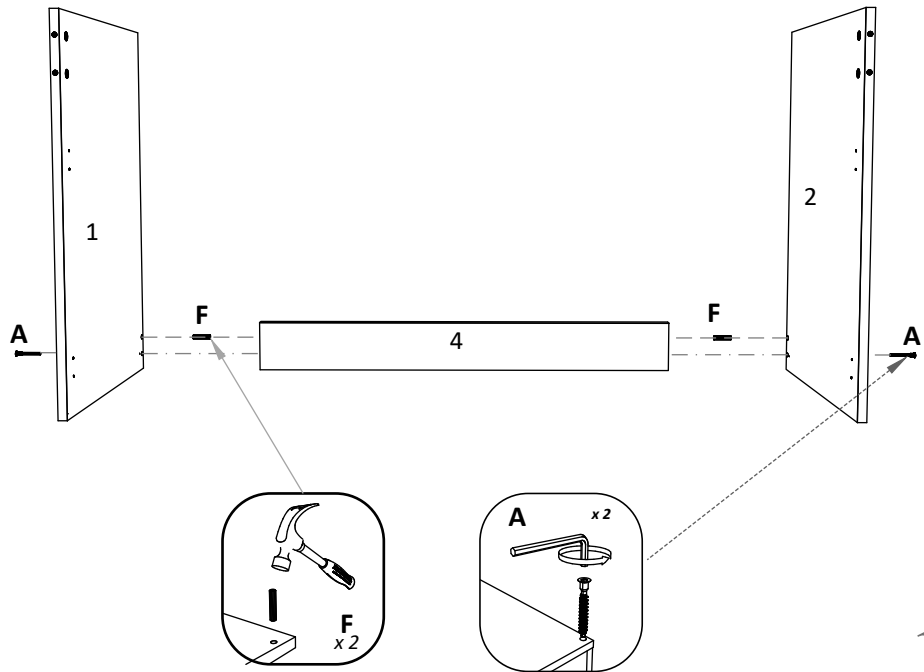
SET BUCATARIE INES L 150 cm

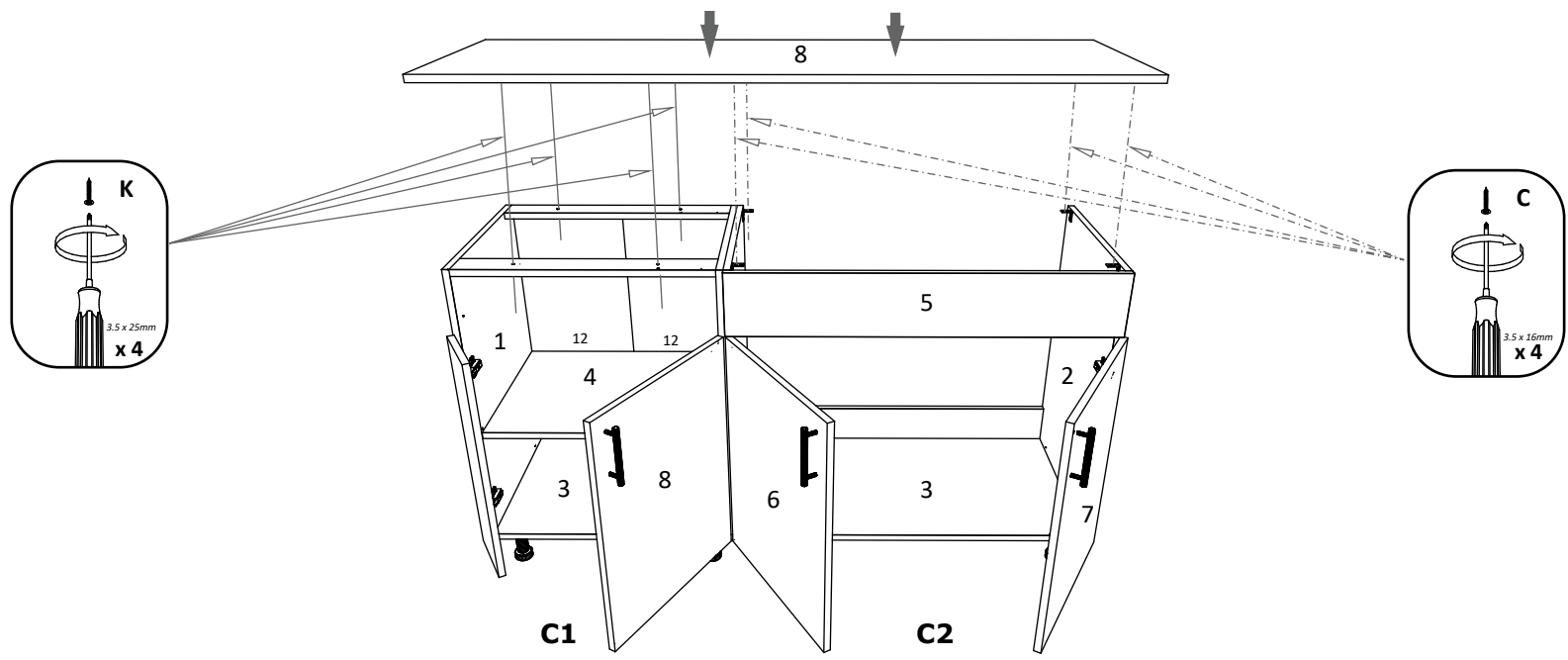
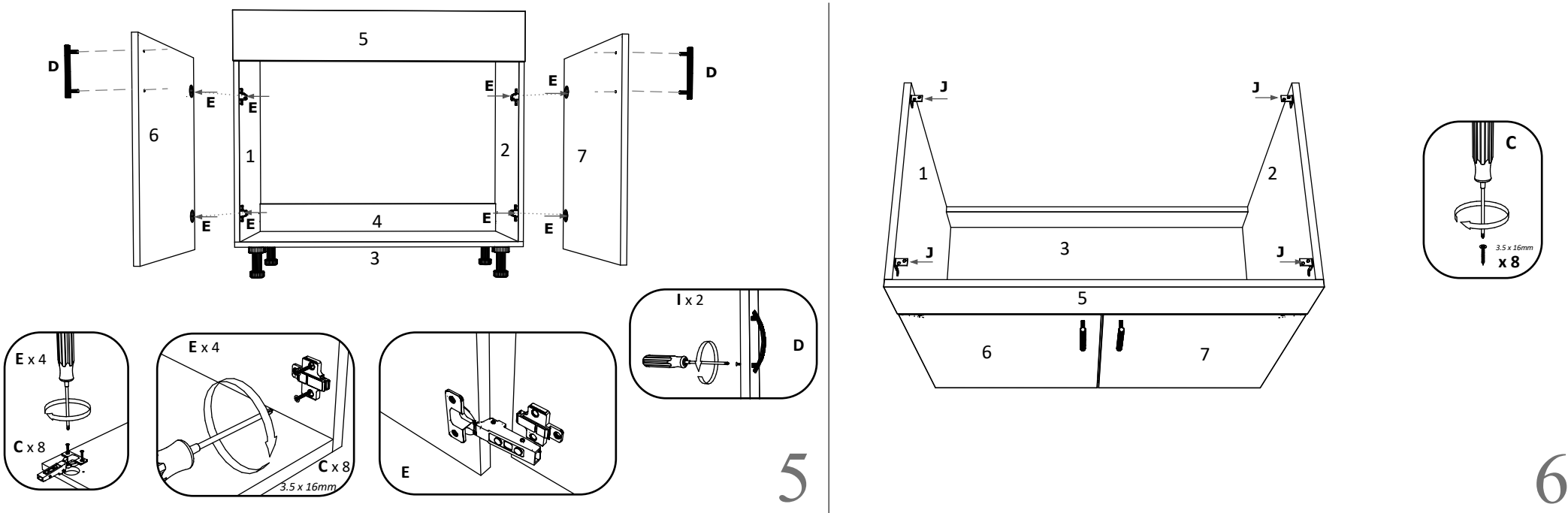
CORP 2: 888 x 500 x 820 mm



A	7x50mm	B		C	3.5 x 16 mm	D	96 mm	E	
	x 6		x 2		x 48		x 2		x 4
F		G		H		I	M4 x 20 mm	J	
	x 2		x 4		x 1		x 4		x 4
K		L		M					
	x 4		x 4		x 4				

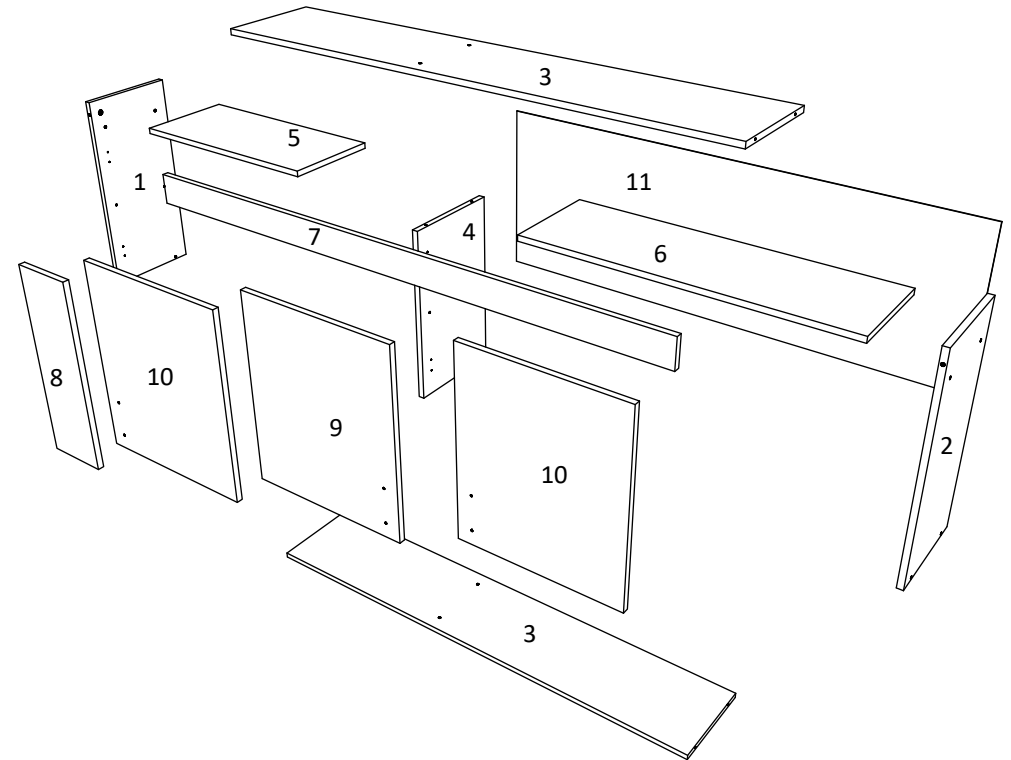
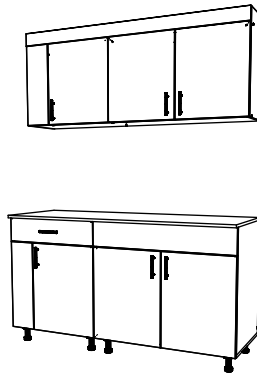
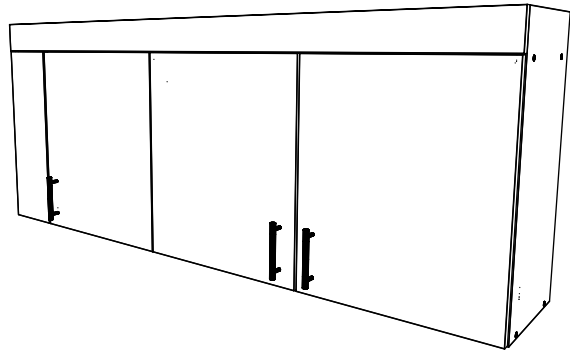
NUMBER	LENGTH	WIDTH	PCS	COLOUR
1/2	704	480	2	COLOUR 1
3	888	480	1	COLOUR 1
4	856	100	1	COLOUR 1
5	152	888	1	COLOUR 1
6	562	440	1	COLOUR 2
7	562	440	1	COLOUR 2
8	1500	540	1	COLOUR 1





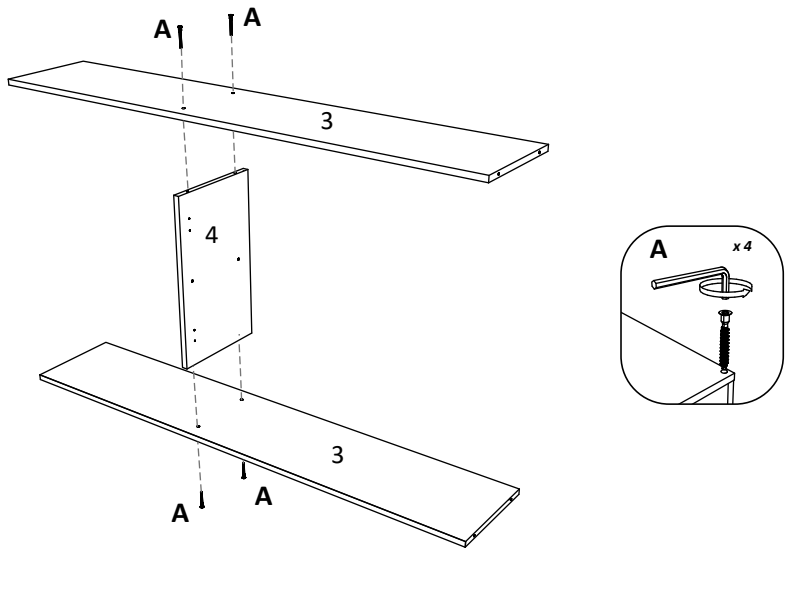
SET BUCATARIE INES L 150 cm

CORP 3: 1500 x 600 x 300 mm

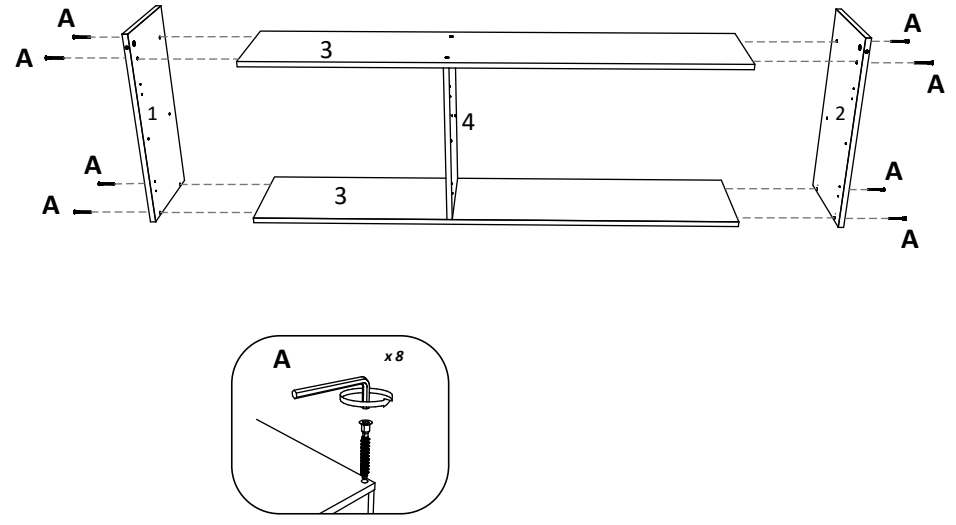


A 7x50mm x 12	B x 12	C 3.5 x 16 mm x 36	D 96 mm x 3	E x 4
F 8 mm x 3	G x 3	H x 1	I M4 x 20 mm x 6	J x 1
K x 2	L x 2	M x 2	N x 4	O x 8
P 30 x	R 3.5 x 25 mm x 9	S 6 x 80 mm x 3		

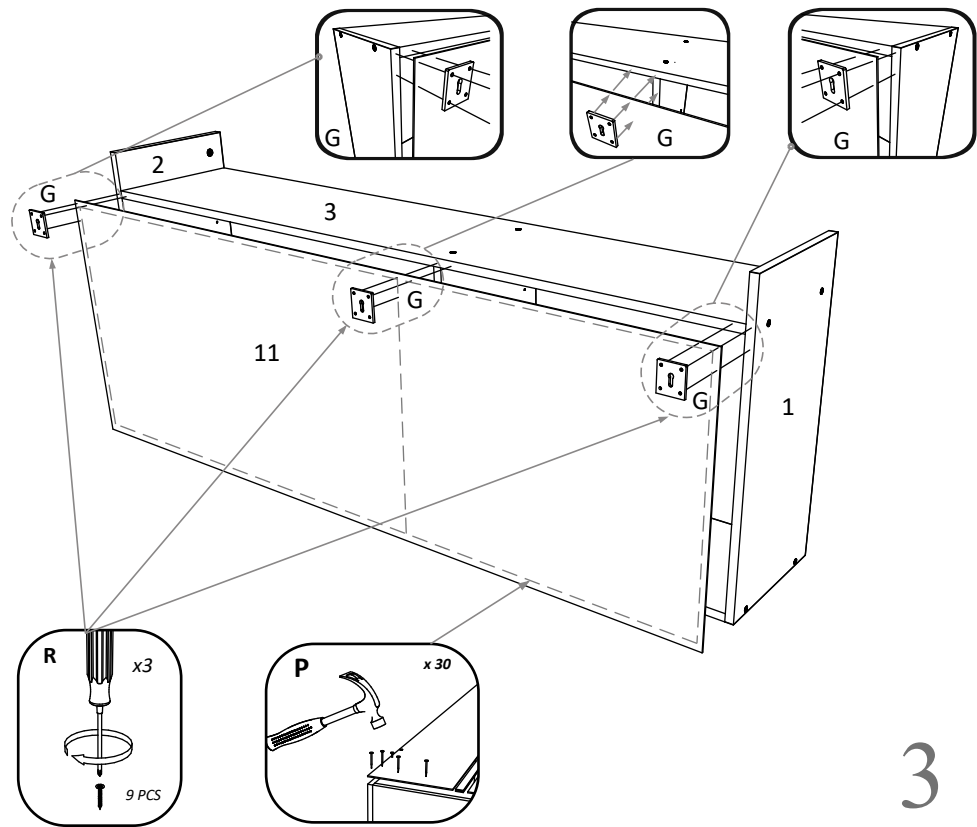
NUMBER	LENGTH	WIDTH	PCS	COLOUR
1/2	600	280	2	COLOUR 1
3	1468	280	2	COLOUR 1
4	488	280	1	COLOUR 1
5	588	270	1	COLOUR 1
6	864	270	1	COLOUR 1
7	80	1500	1	COLOUR 1
8	516	164	1	COLOUR 1
9	516	440	1	COLOUR 1
10	516	440	1	COLOUR 1
11	516	1496	1	BACK PANNEL



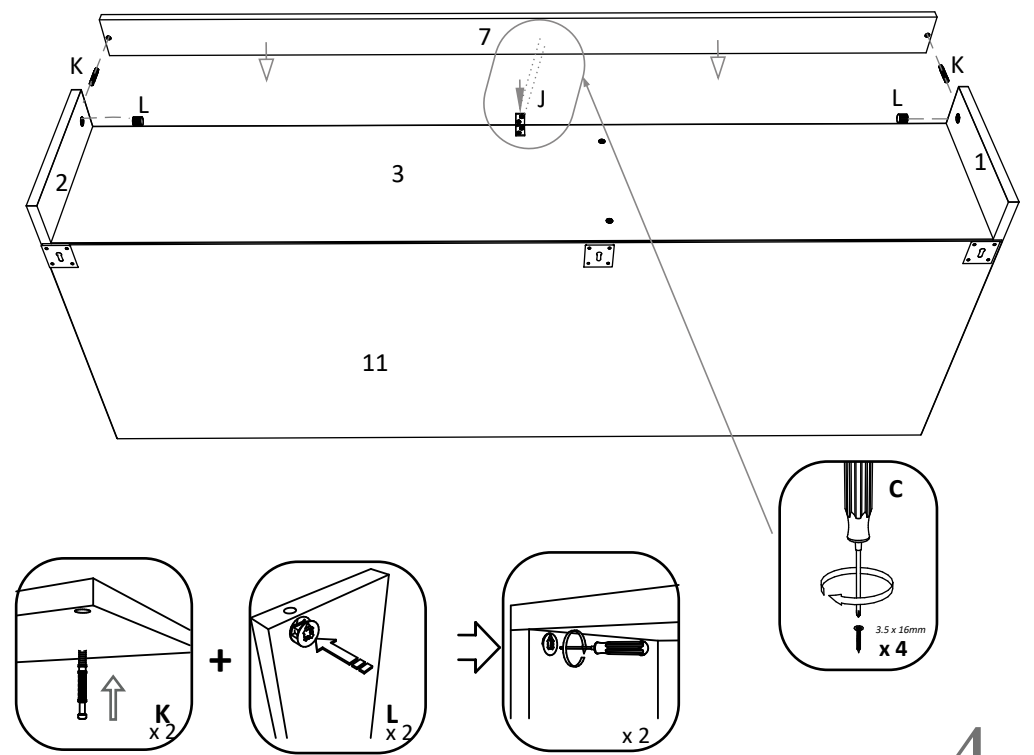
1



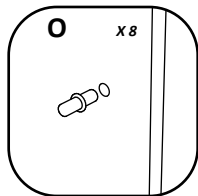
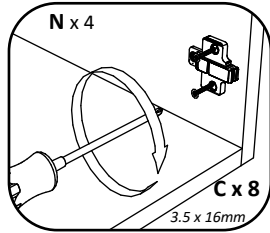
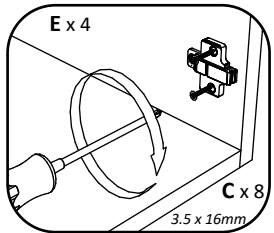
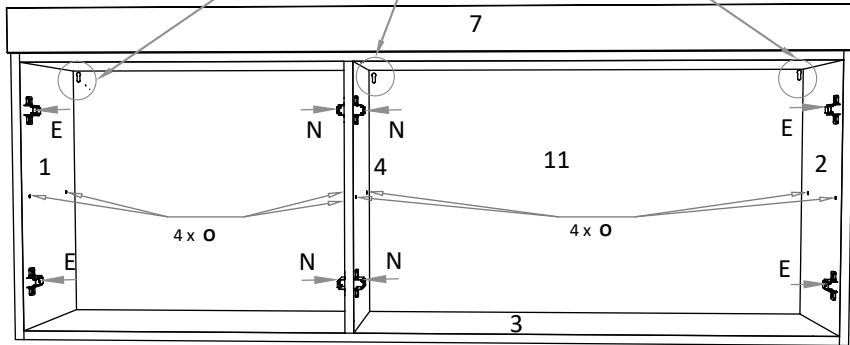
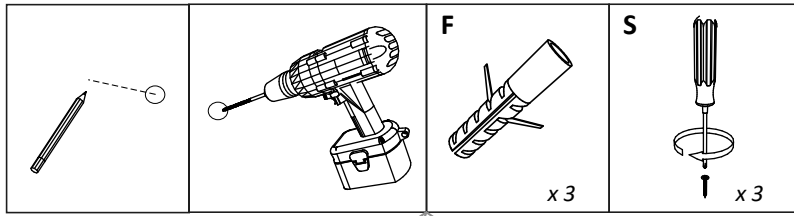
2



3



4



5

6

