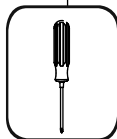
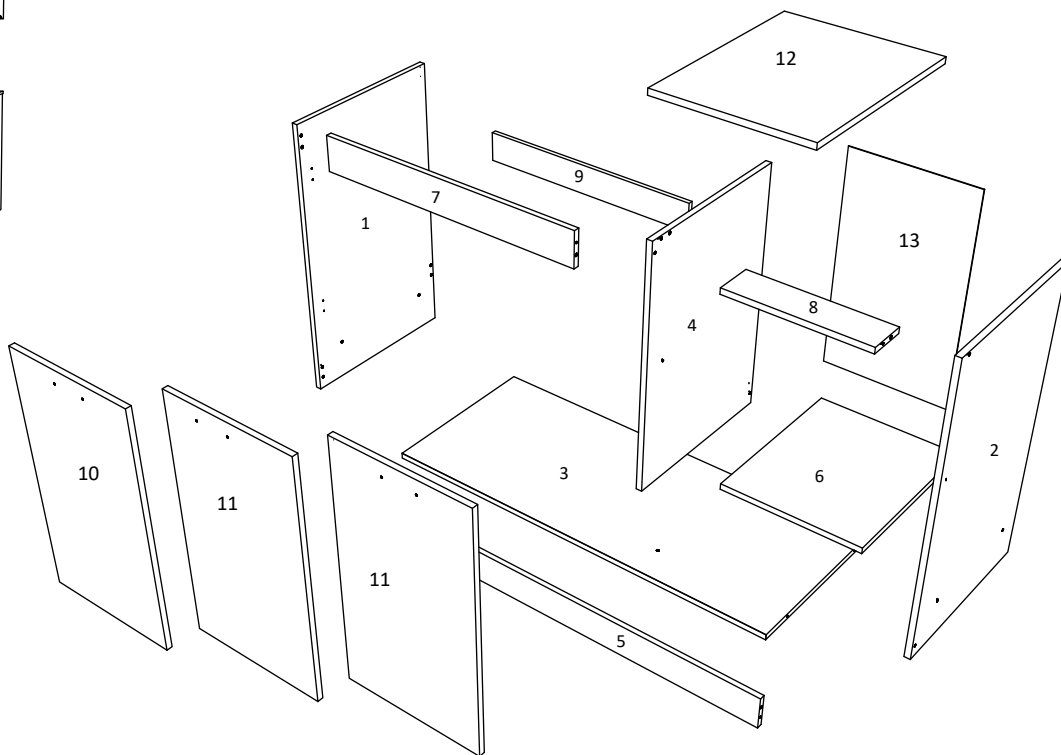
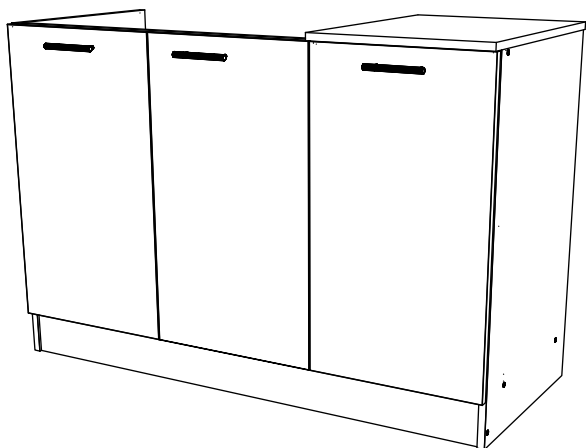
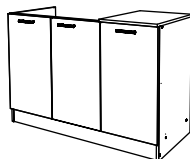
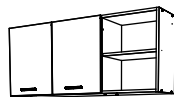

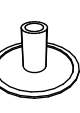

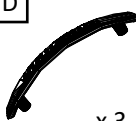
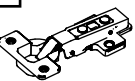
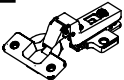
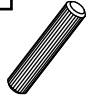

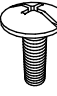

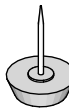

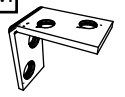


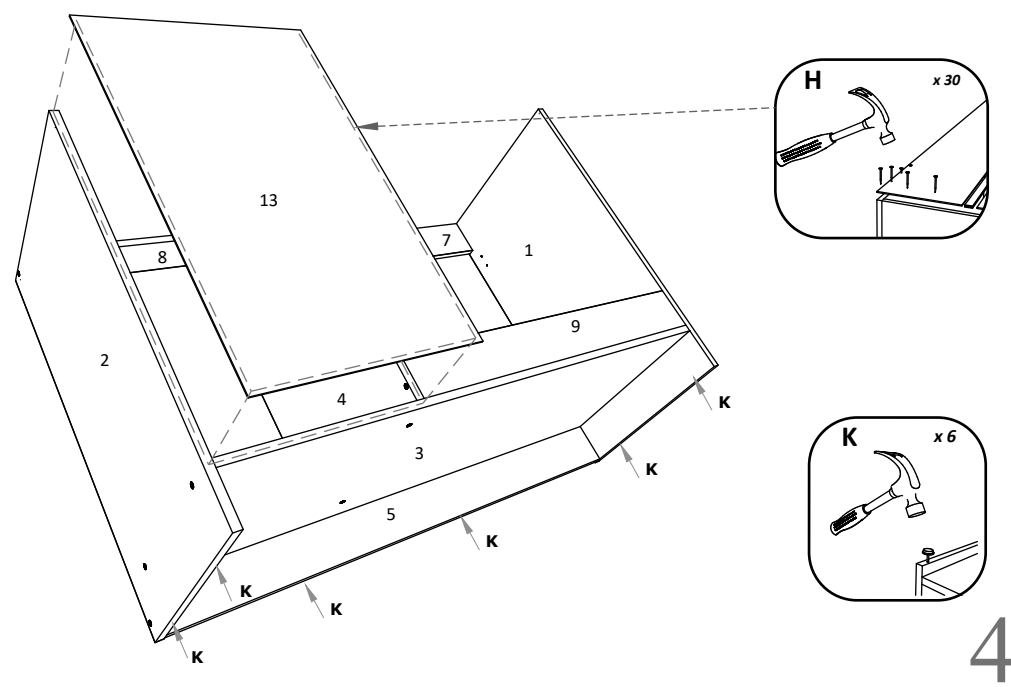
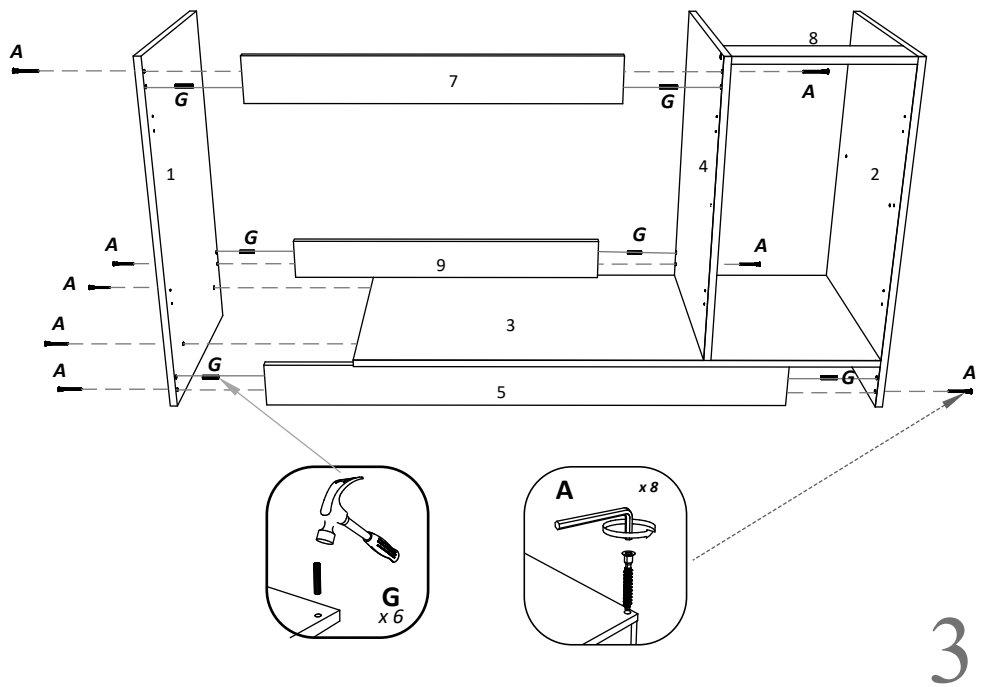
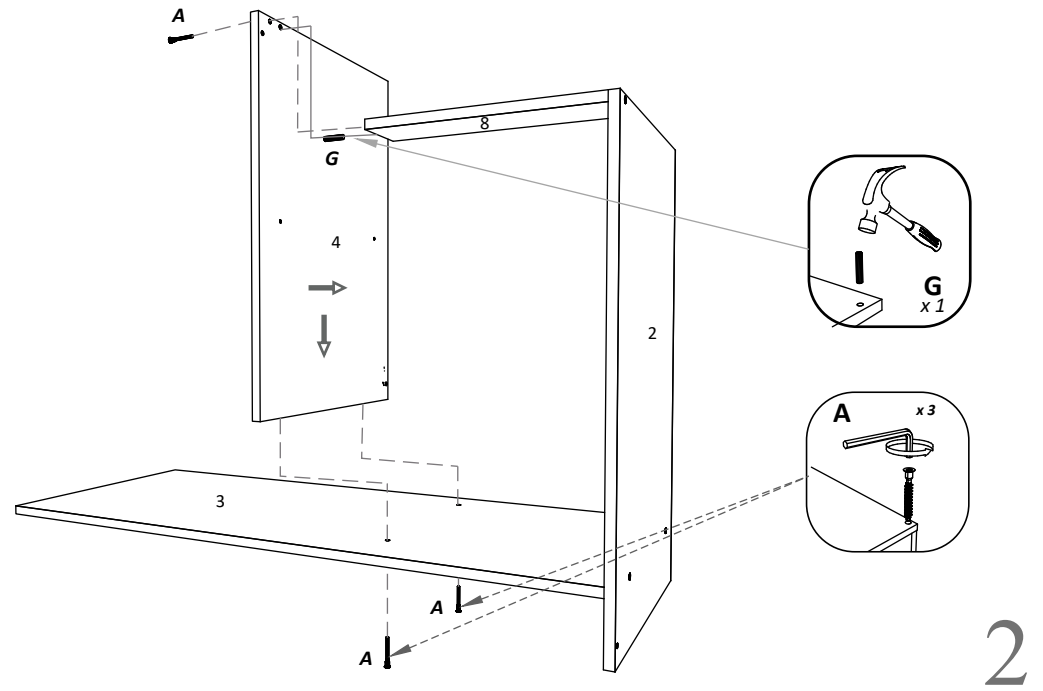
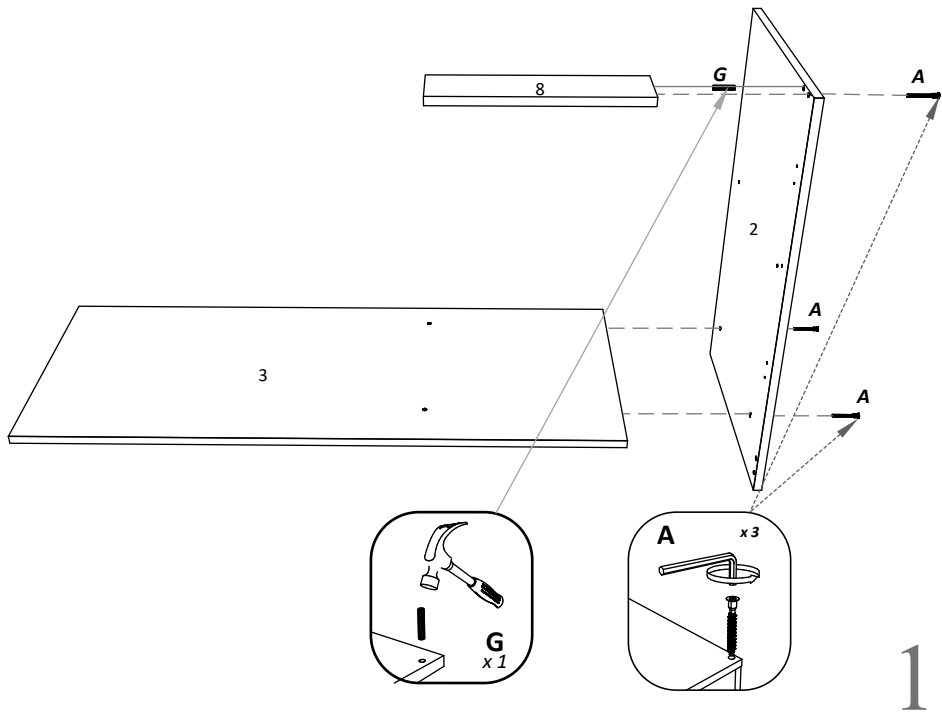
SET BUCATARIE ELA L 120 cm

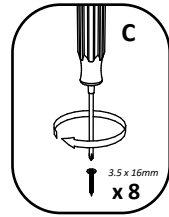
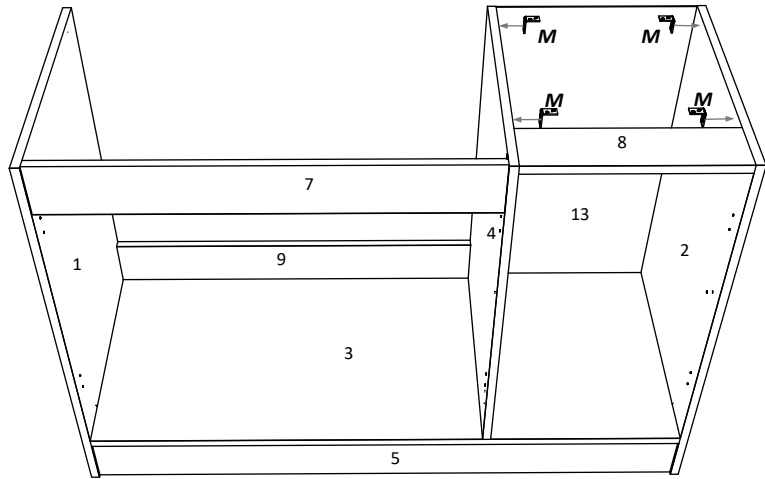
CORP 1: 1200x520x816 mm



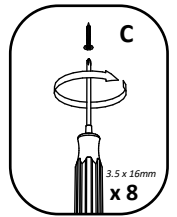
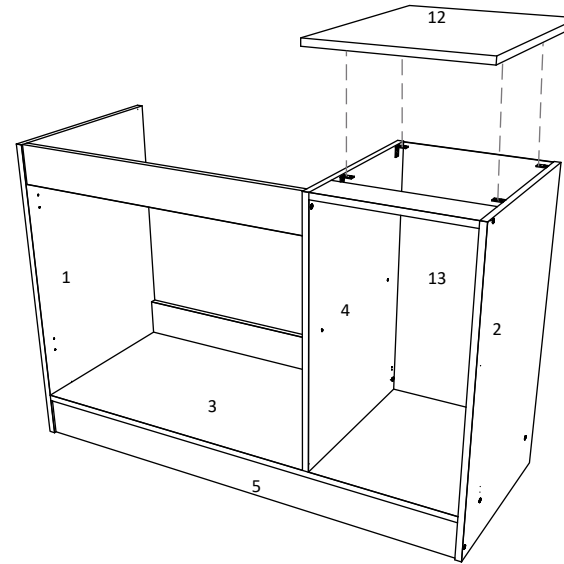
A 7x50mm  x 14	B  x 14	C 3.5 x 16 mm  x 40	D 96 mm  x 3	E  x 4
F  x 2	G  x 8	H  x 30	I M4 x 20 mm  x 6	J  x 1
K  x 6	L  x 4	M  x 4		

NUMBER	LENGTH	WIDTH	PCS	COLOUR
1	800	480	1	WHITE
2	800	480	1	WHITE
3	1168	480	1	WHITE
4	684	480	1	WHITE
5	100	1168	1	WHITE
6	376	450	1	WHITE
7	776	100	1	WHITE
8	376	100	1	WHITE
9	776	100	1	WHITE
10	696	396	1	COLOUR
11	696	396	2	COLOUR
12	400	520	1	COLOUR
13	696	398	1	BACK PANNEL

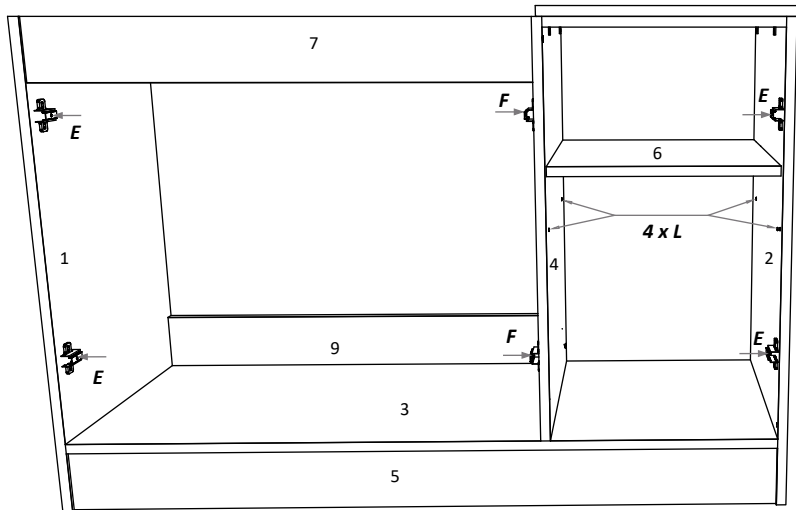




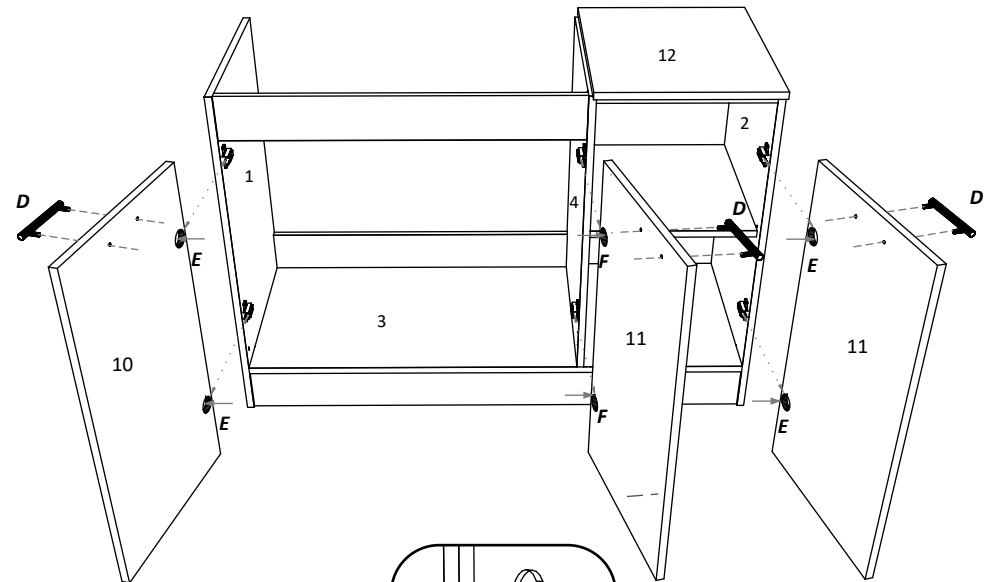
5



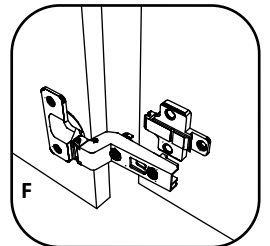
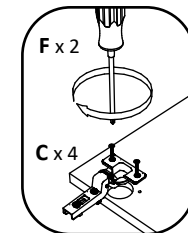
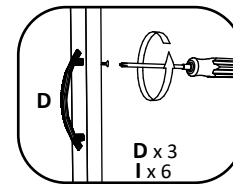
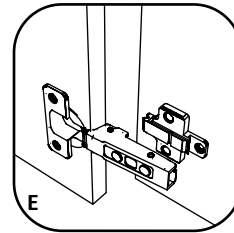
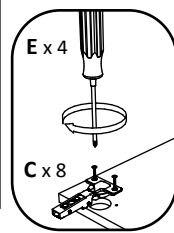
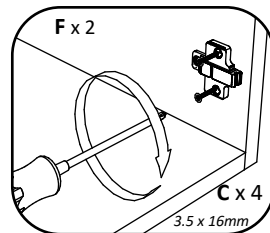
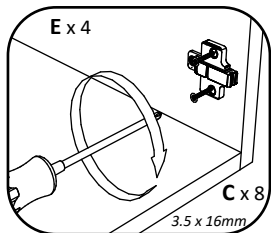
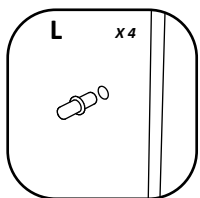
6



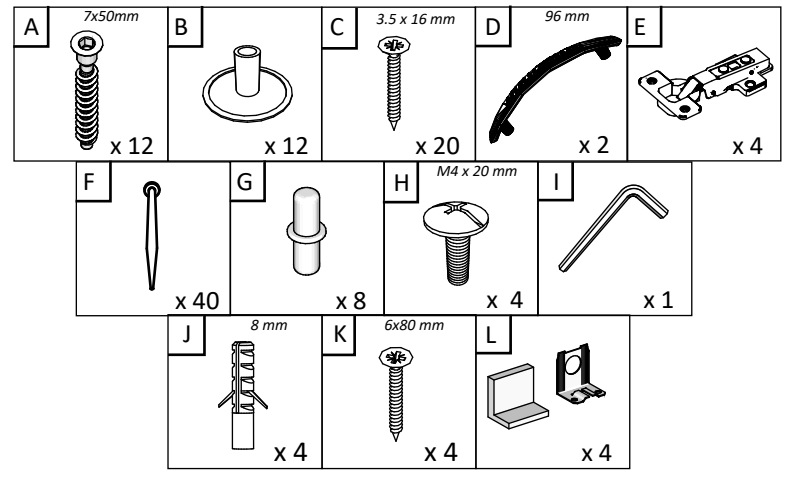
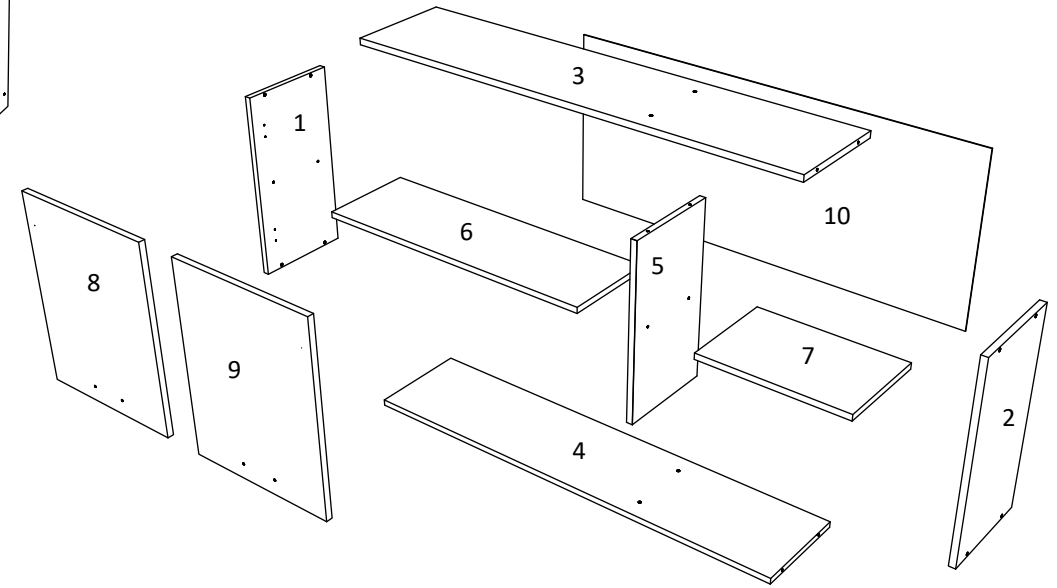
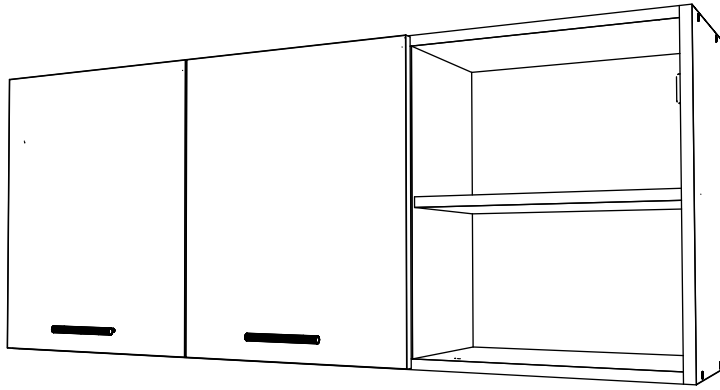
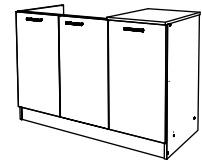
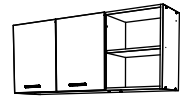
7



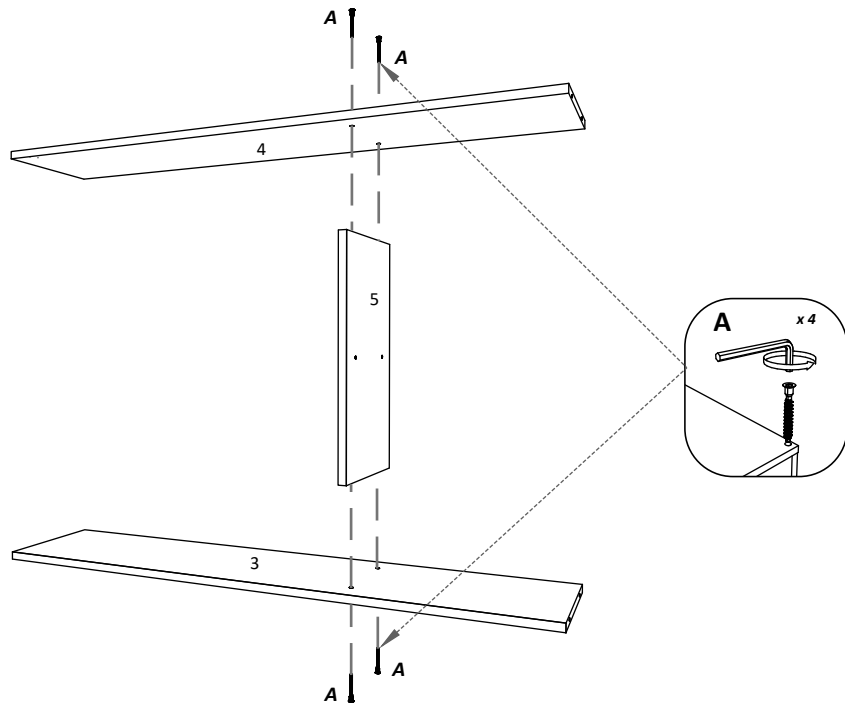
8



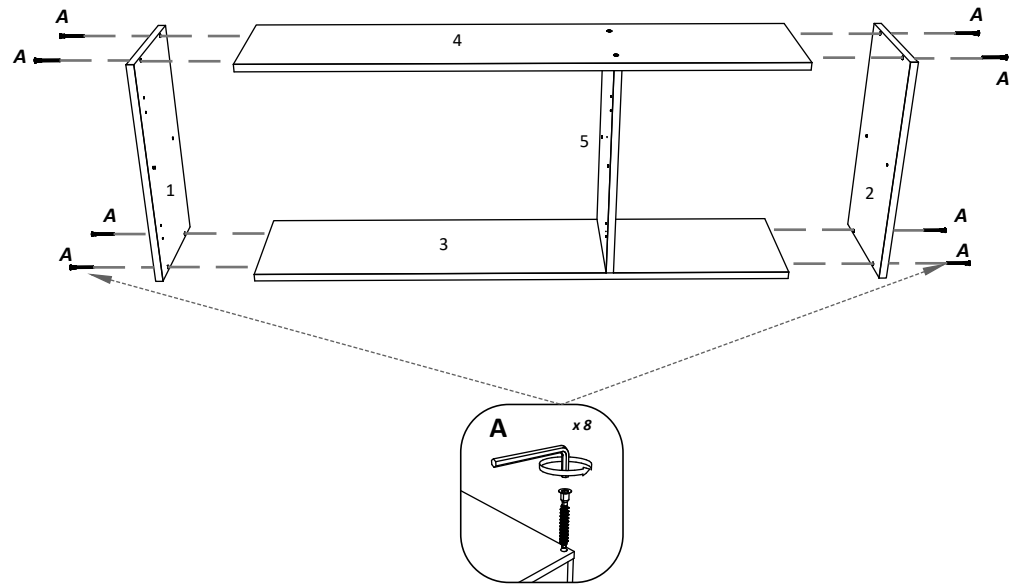
SET BUCATARIE ELA L 120 cm
CORP 2: 1200x280x500 mm



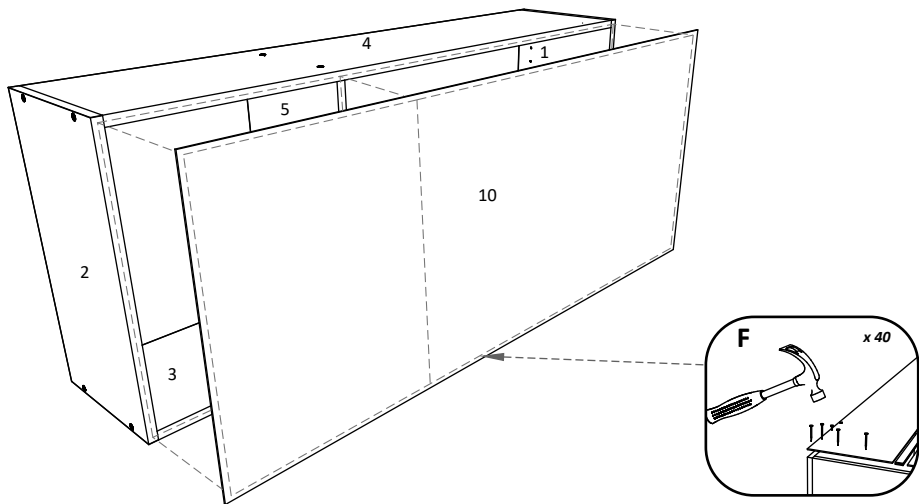
NUMBE	RLENGTH	WIDTH	PCS	COLOUR
1	500	260	1	WHITE
2	500	260	1	WHITE
3	1168	260	1	WHITE
4	1168	260	1	WHITE
5	468	260	1	WHITE
6	768	250	1	WHITE
7	384	250	1	WHITE
8	496	396	1	COLOUR
9	496	396	1	COLOUR
10	496	1196	1	BACK PANNEL



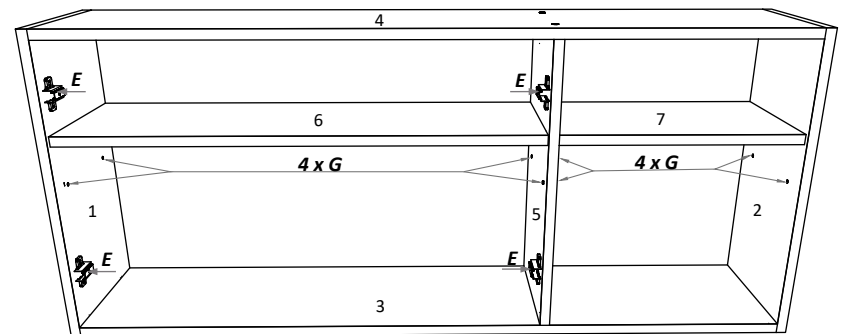
1



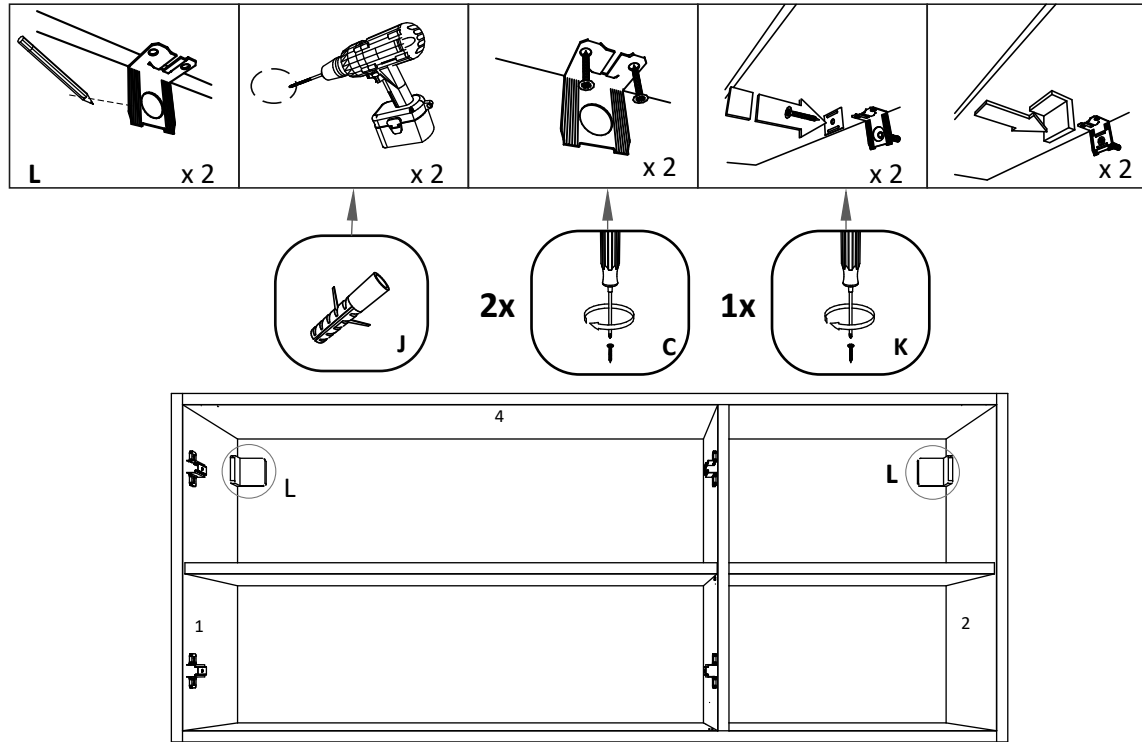
2



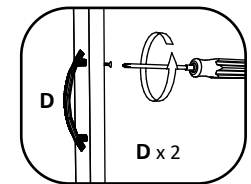
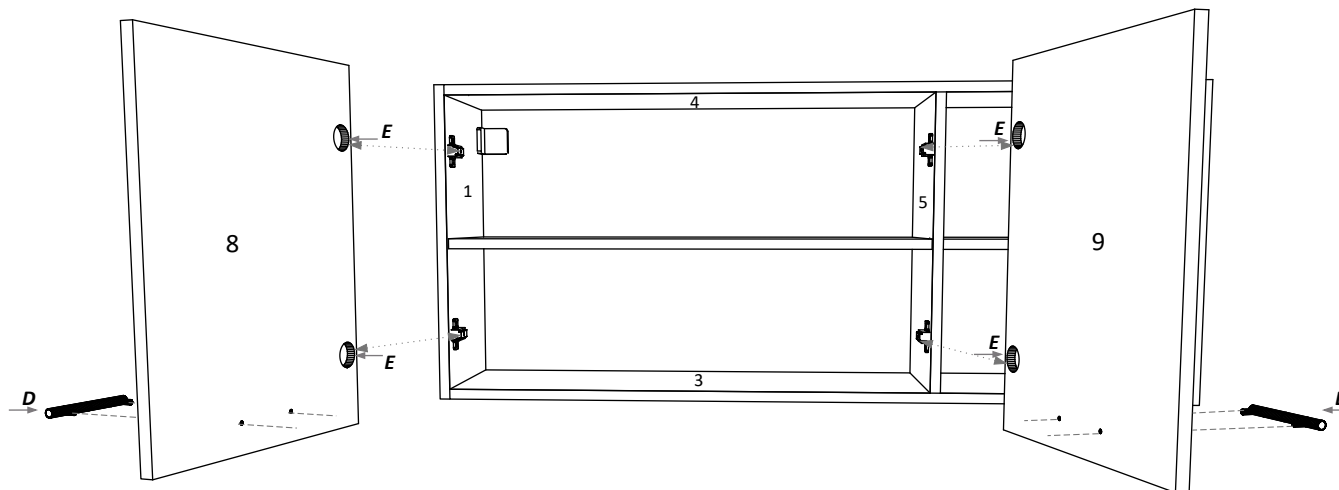
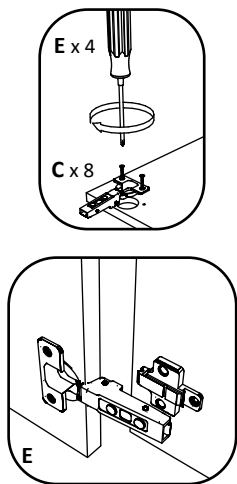
3



4



5



6