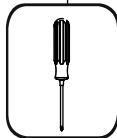
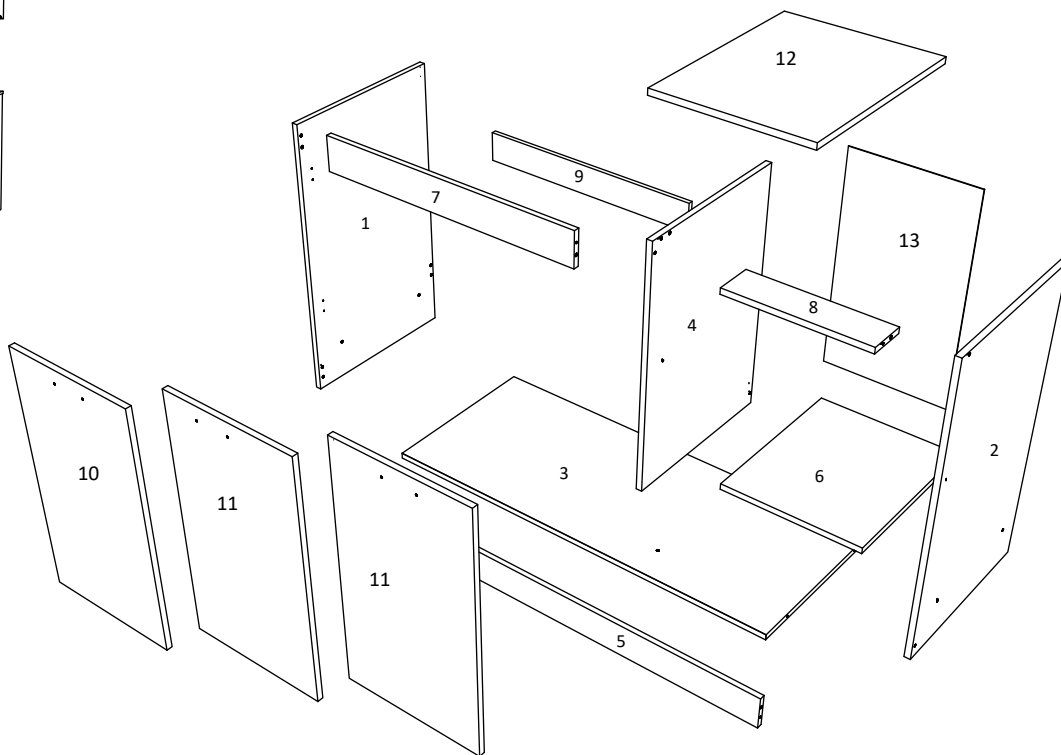
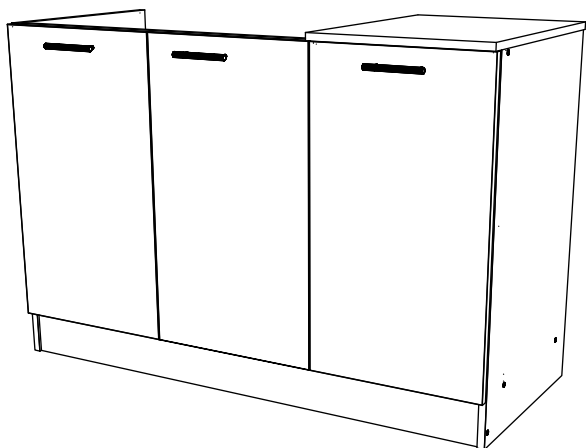
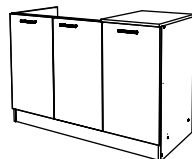
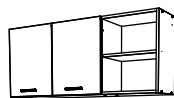

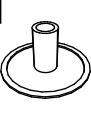

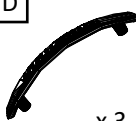
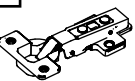
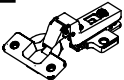
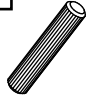

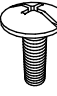

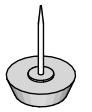
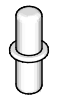
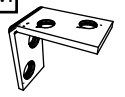


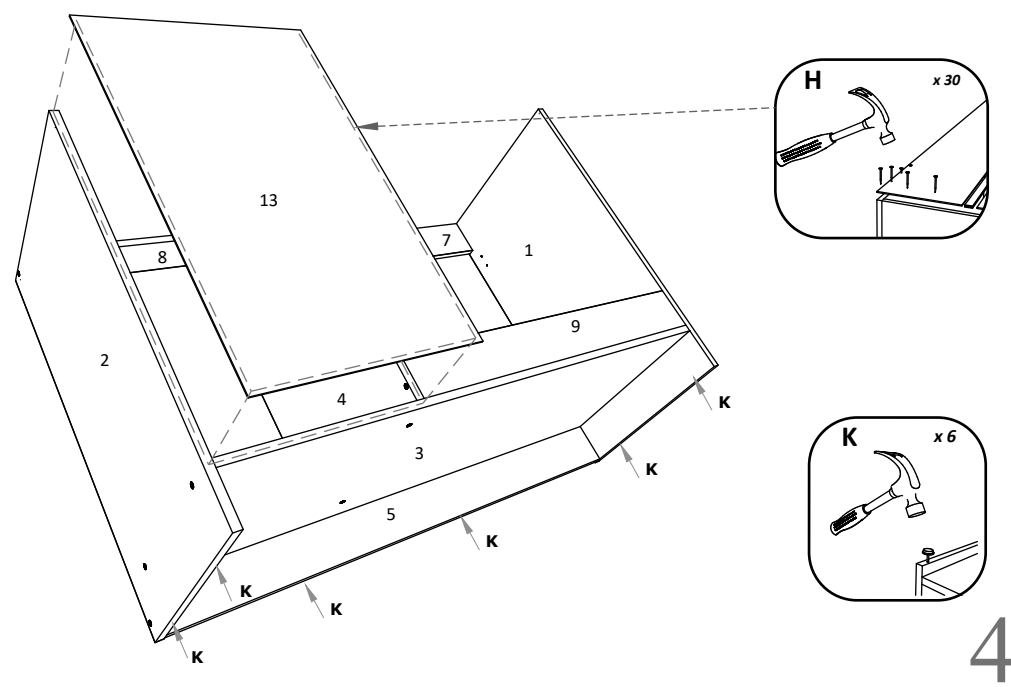
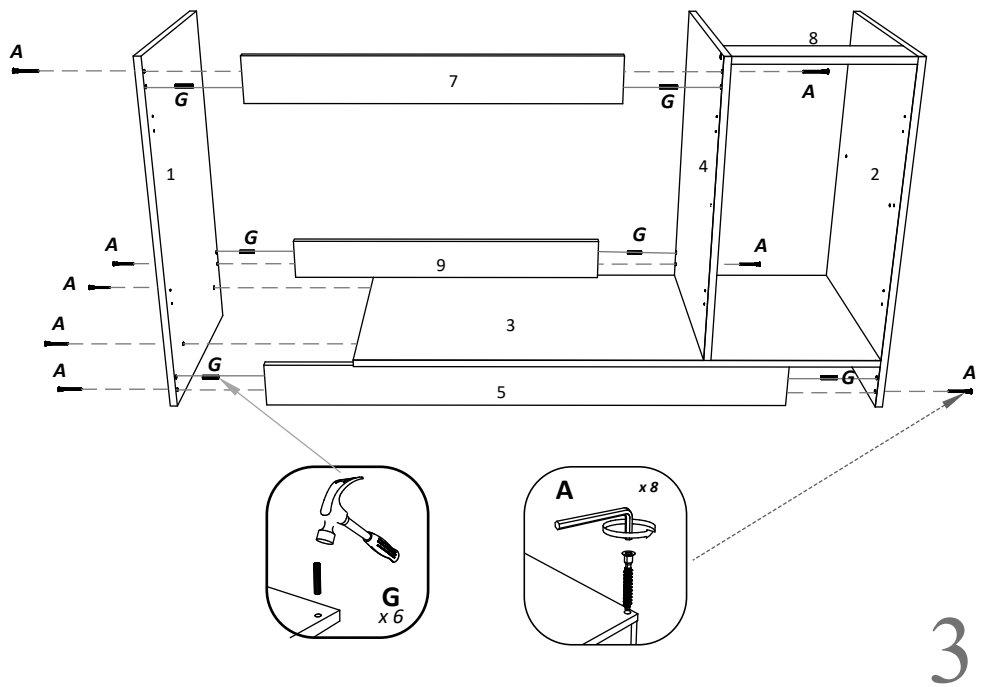
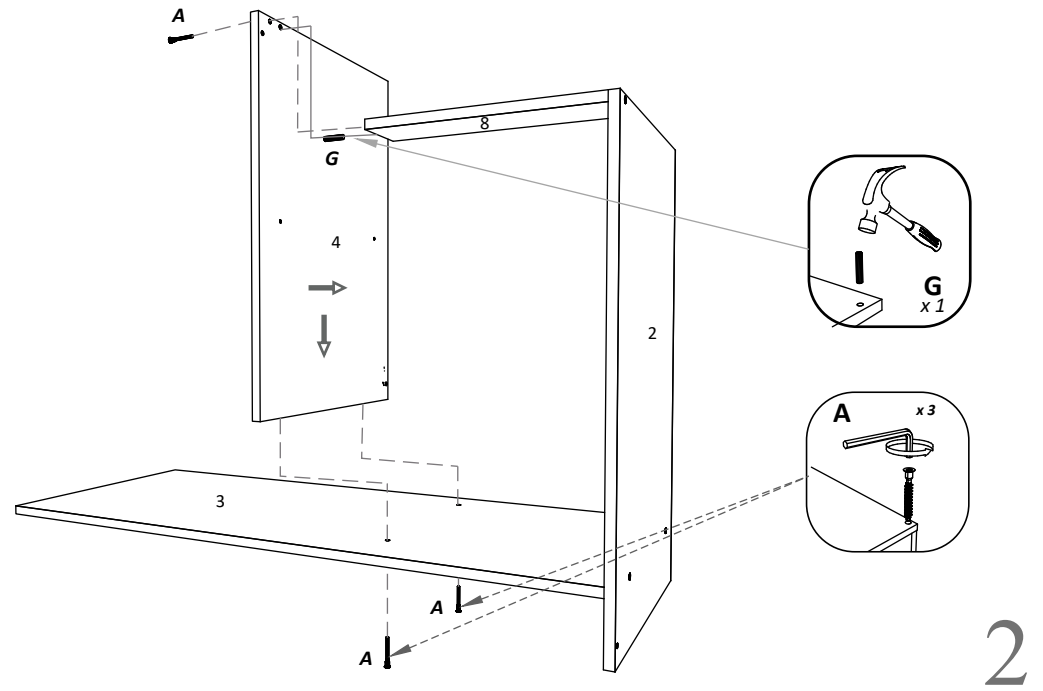
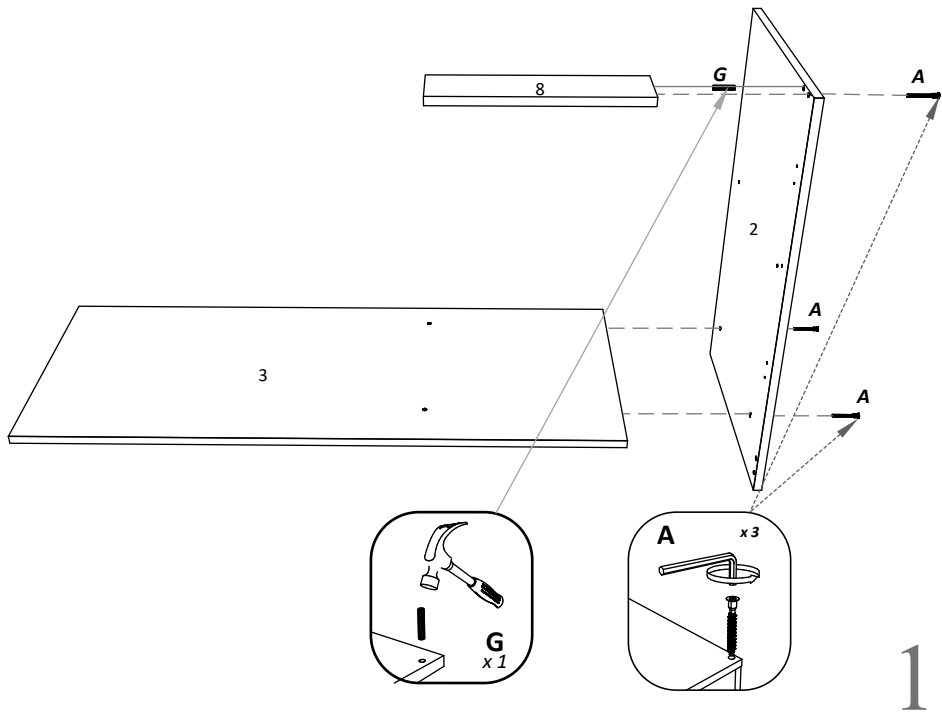
# SET BUCATARIE ELA L 120 cm

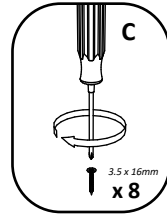
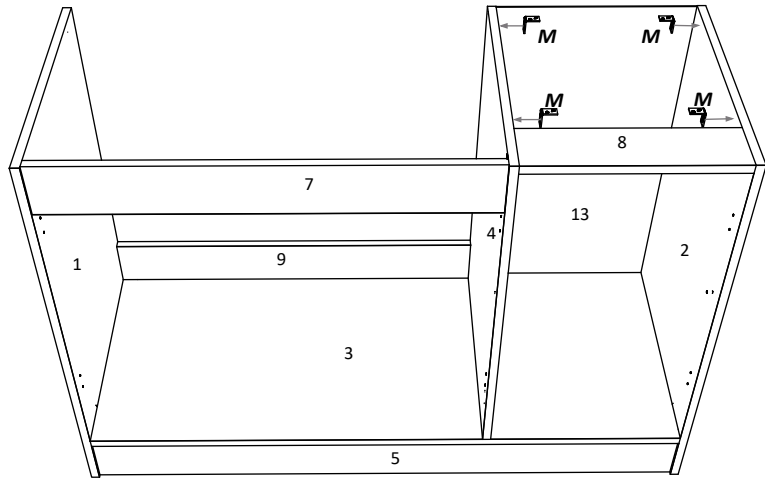
CORP 1: 1200x520x816 mm



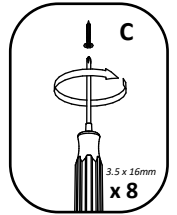
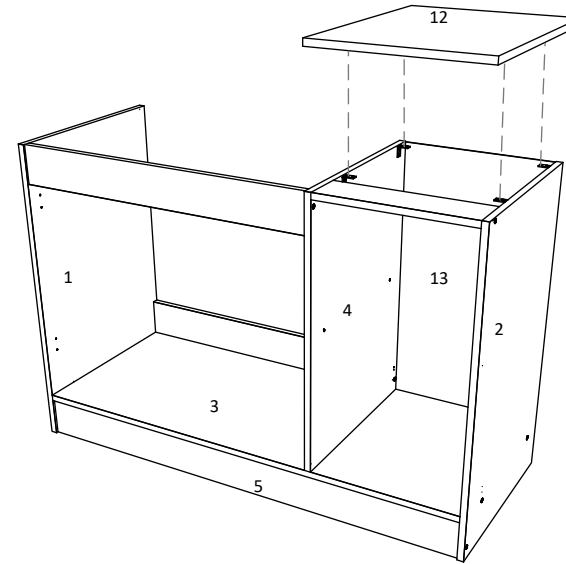
<b>A</b> 7x50mm  x 14	<b>B</b>  x 14	<b>C</b> 3.5 x 16 mm  x 40	<b>D</b> 96 mm  x 3	<b>E</b>  x 4
<b>F</b>  x 2	<b>G</b>  x 8	<b>H</b>  x 30	<b>I</b> M4 x 20 mm  x 6	<b>J</b>  x 1
<b>K</b>  x 6	<b>L</b>  x 4	<b>M</b>  x 4		

NUMBER	LENGTH	WIDTH	PCS	COLOUR
1	800	480	1	WHITE
2	800	480	1	WHITE
3	1168	480	1	WHITE
4	684	480	1	WHITE
5	100	1168	1	WHITE
6	376	450	1	WHITE
7	776	100	1	WHITE
8	376	100	1	WHITE
9	776	100	1	WHITE
10	696	396	1	COLOUR
11	696	396	2	COLOUR
12	400	520	1	COLOUR
13	696	398	1	BACK PANNEL

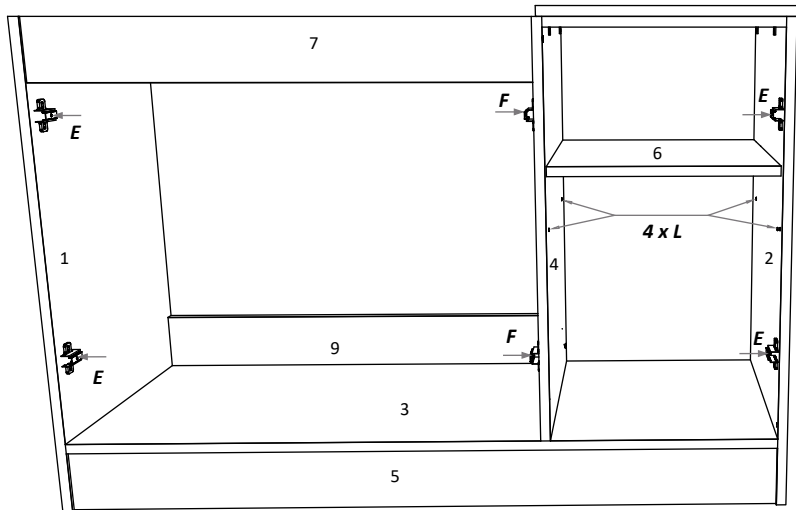




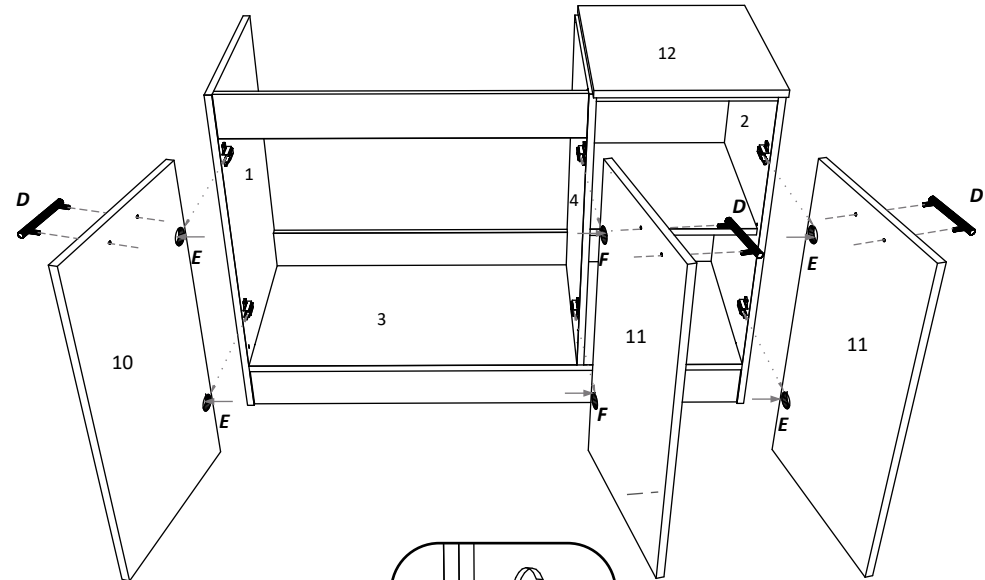
5



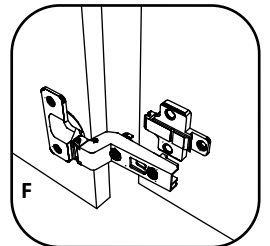
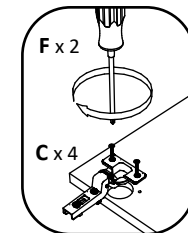
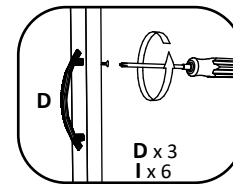
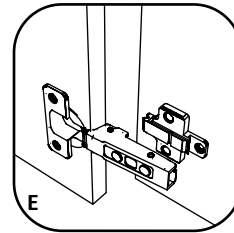
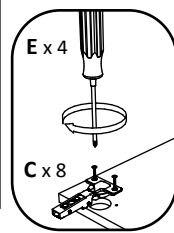
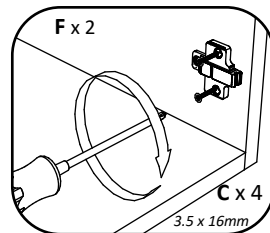
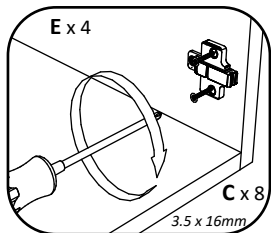
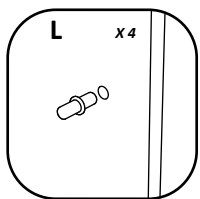
6



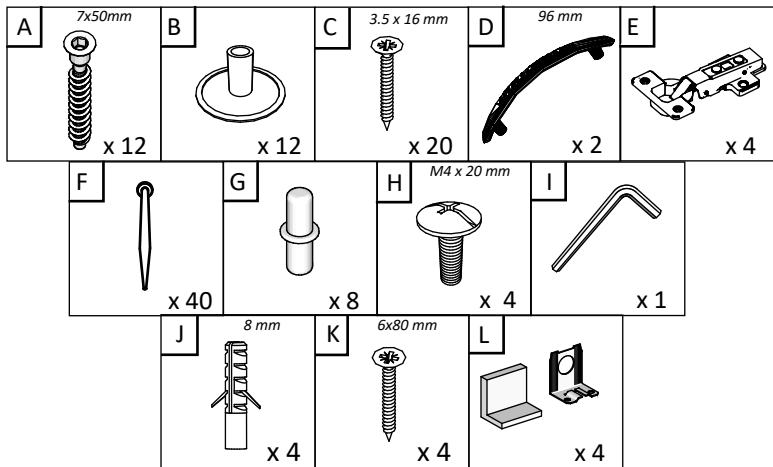
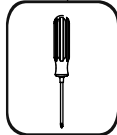
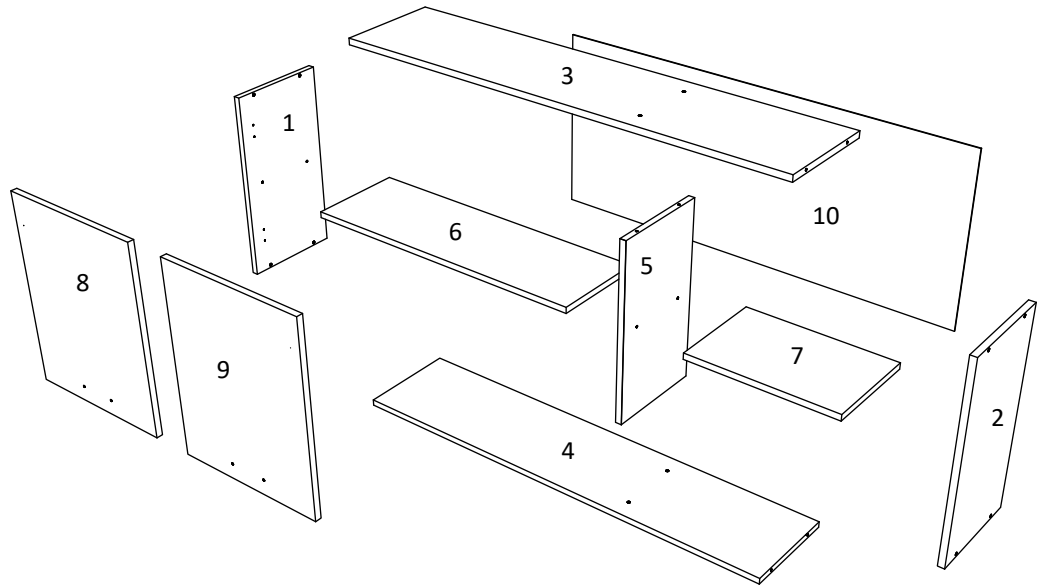
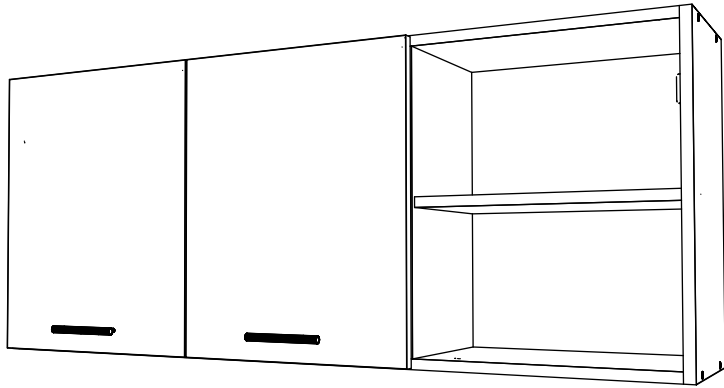
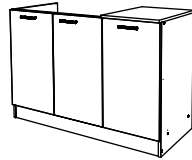
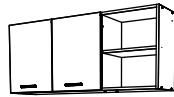
7



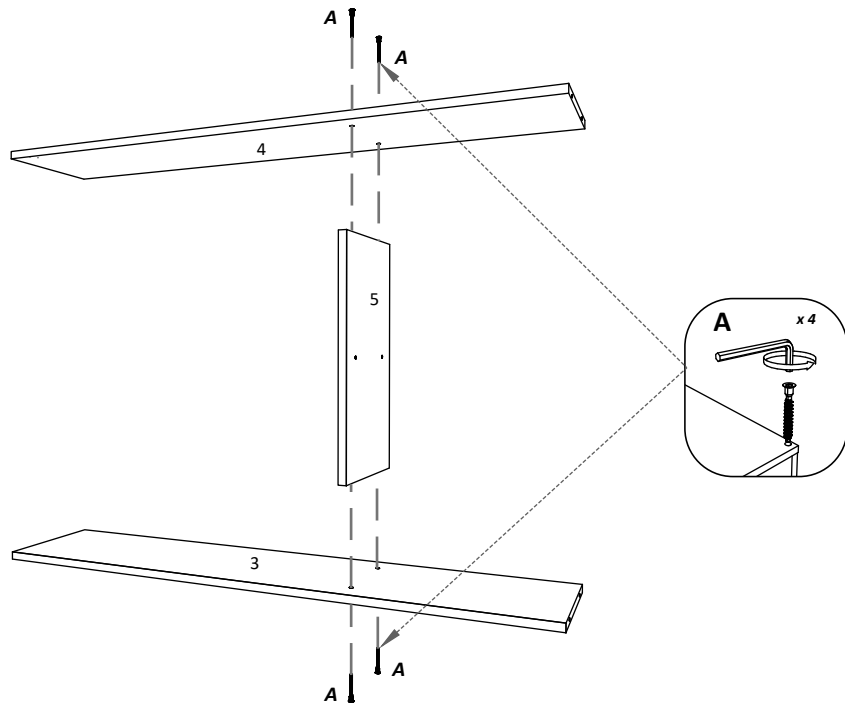
8



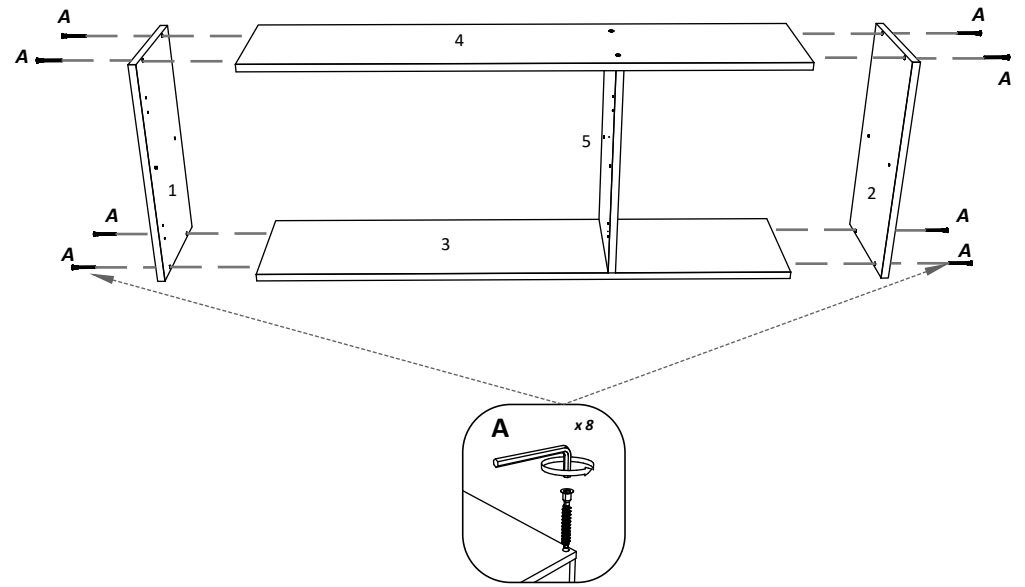
**SET BUCATARIE ELA L 120 cm**  
**CORP 2: 1200x280x500 mm**



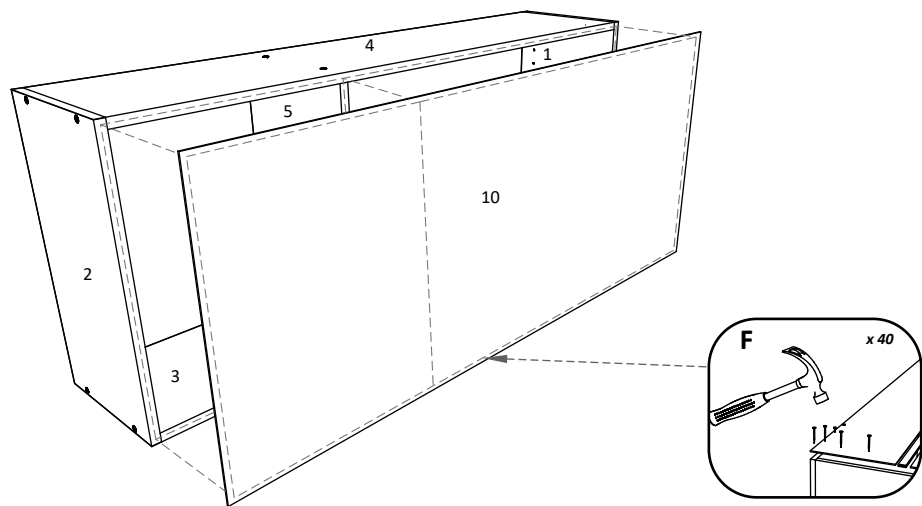
NUMBE	RLENGTH	WIDTH	PCS	COLOUR
1	500	260	1	WHITE
2	500	260	1	WHITE
3	1168	260	1	WHITE
4	1168	260	1	WHITE
5	468	260	1	WHITE
6	768	250	1	WHITE
7	384	250	1	WHITE
8	496	396	1	COLOUR
9	496	396	1	COLOUR
10	496	1196	1	BACK PANNEL



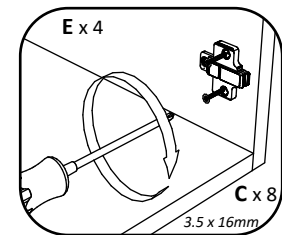
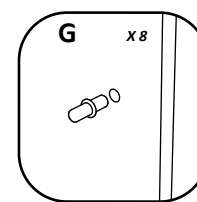
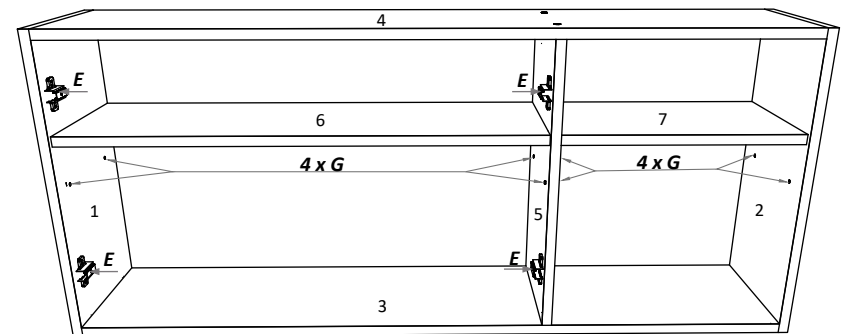
1



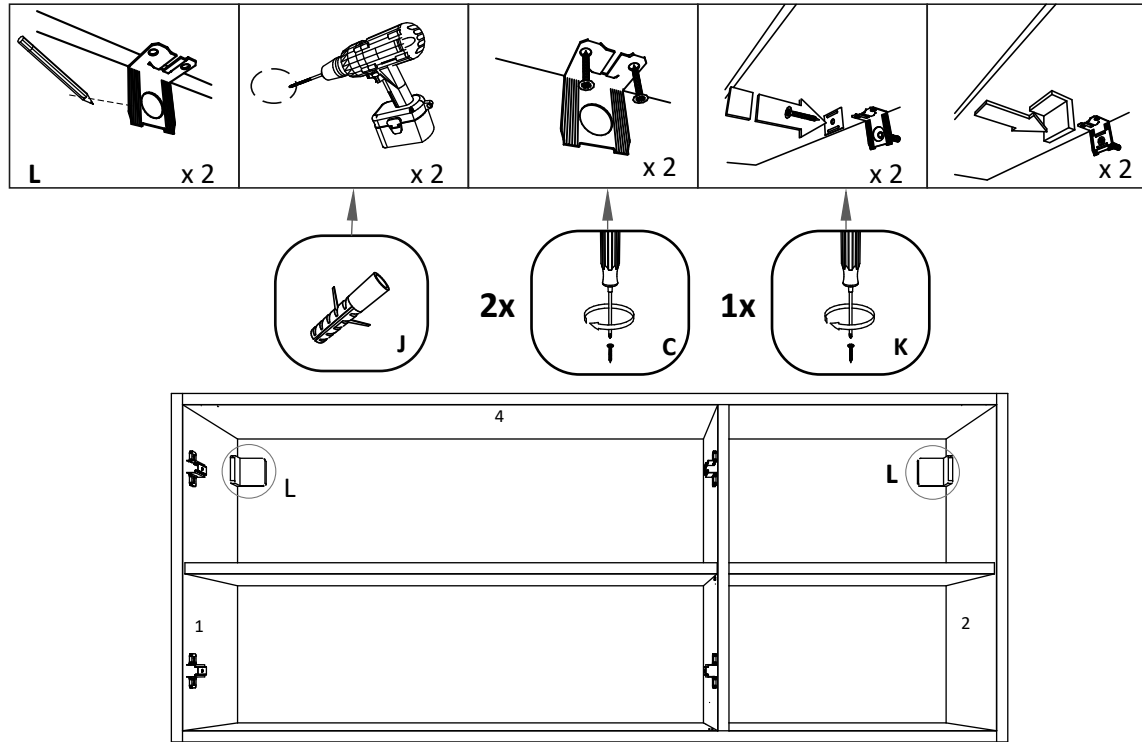
2



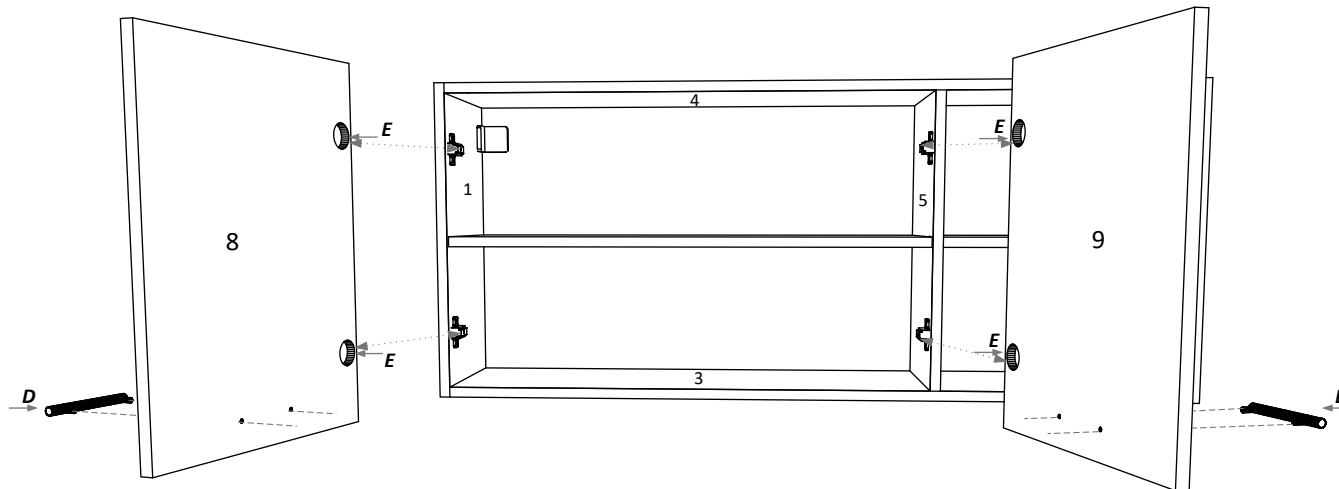
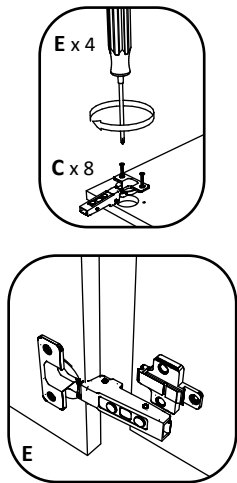
3



4



5



6