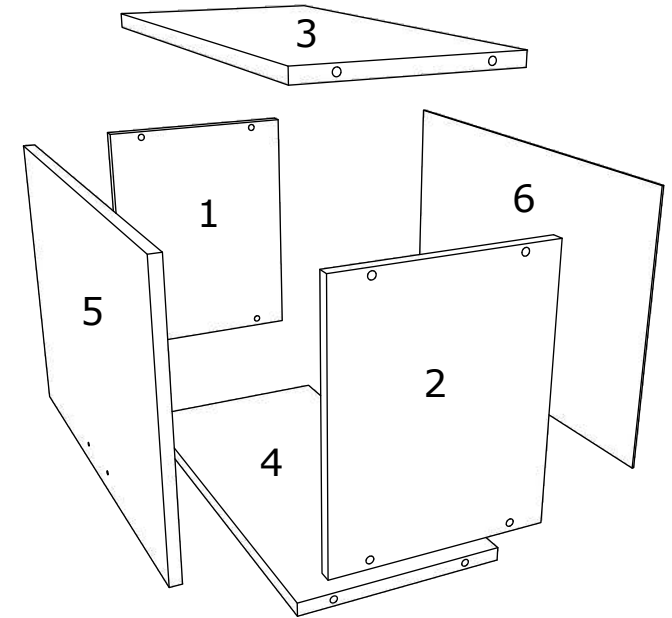
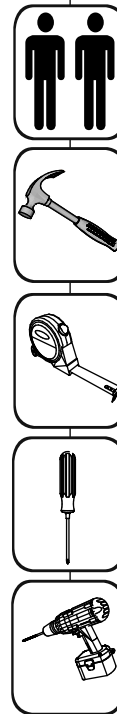
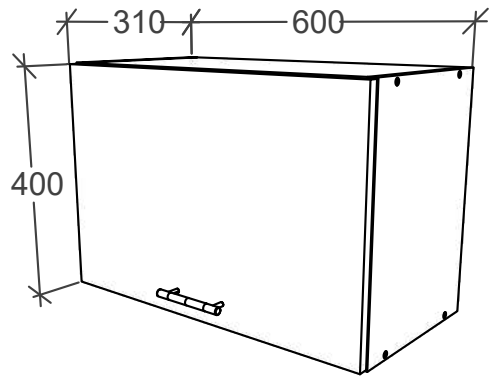


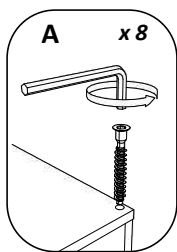
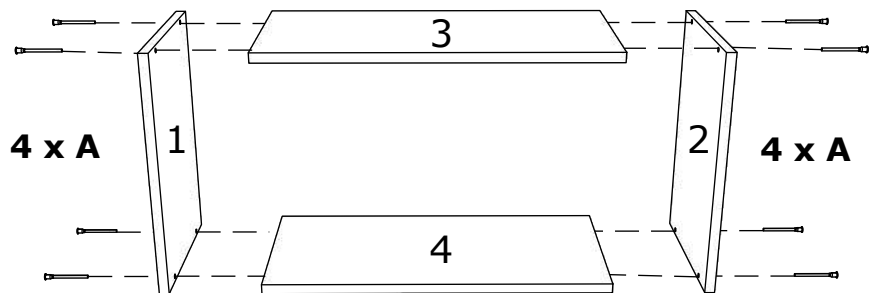
CORP SUPERIOR 1 USA

600 x 310 x 400 mm

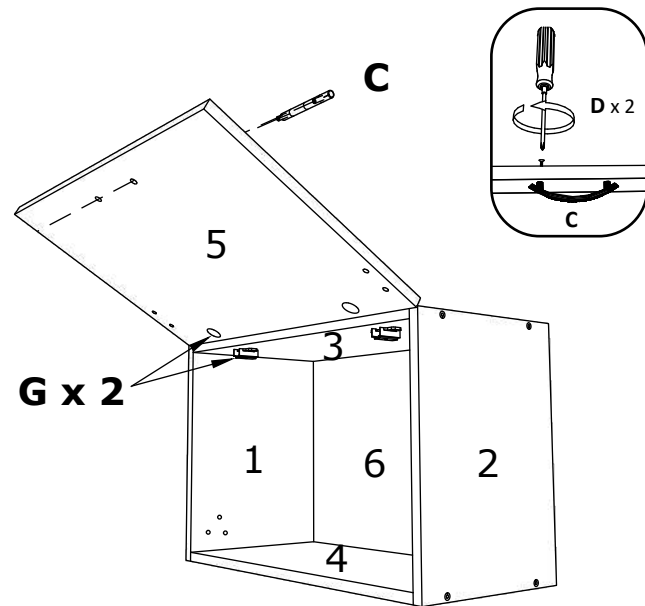
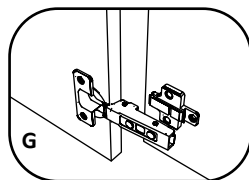
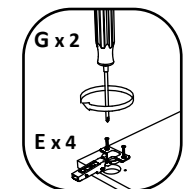
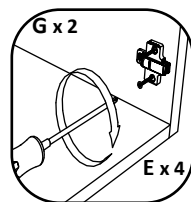


A	7x50mm	B		C	128 mm	D	M4 x 22 mm	E	3.5 x 16 mm	F		G	
	8 x		8 x		1 x		2 x		22 x		1 x		2 x
H		I		J	8 mm	K	6x80mm	L		M		N	
	2 x		22 x		2 x		2 x		2 x		x 2		x 2

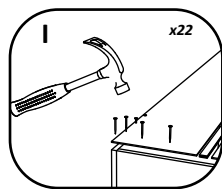
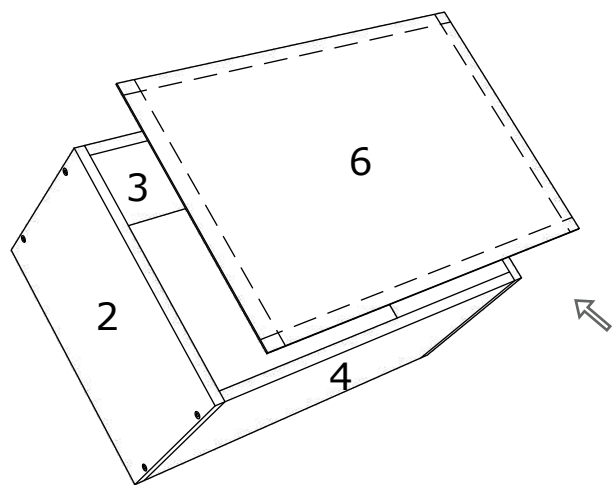
No	B	b	x
1	400	290	1
2	400	290	1
3	568	290	1
4	568	290	1
5	596	396	1
6	596	396	1



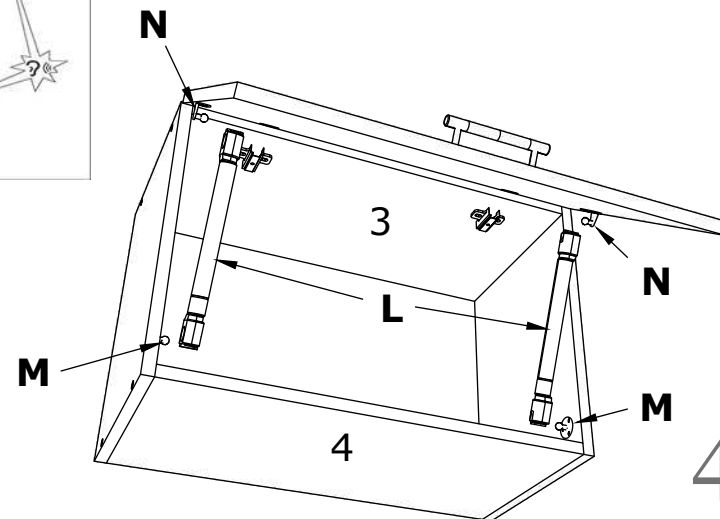
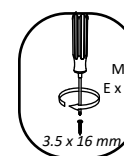
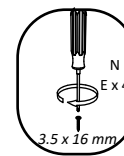
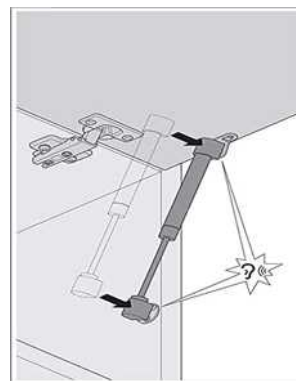
1



3



2



4

