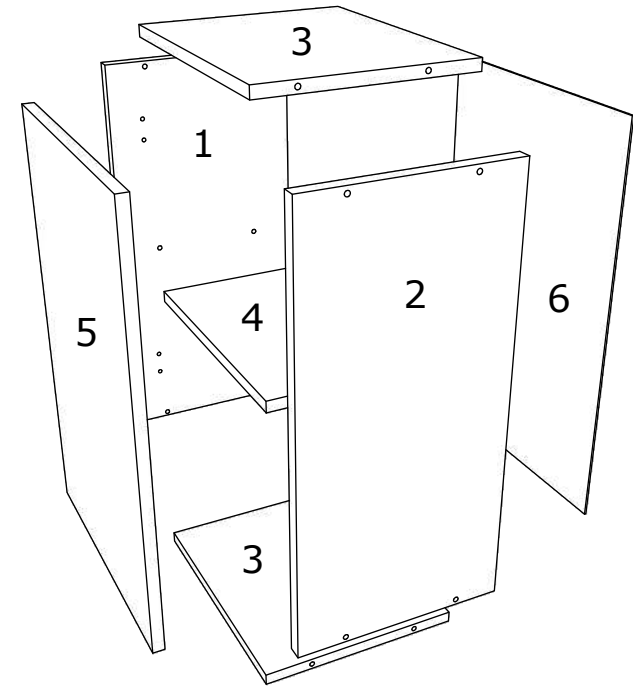
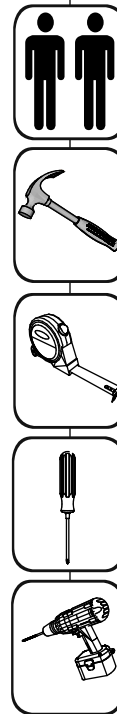
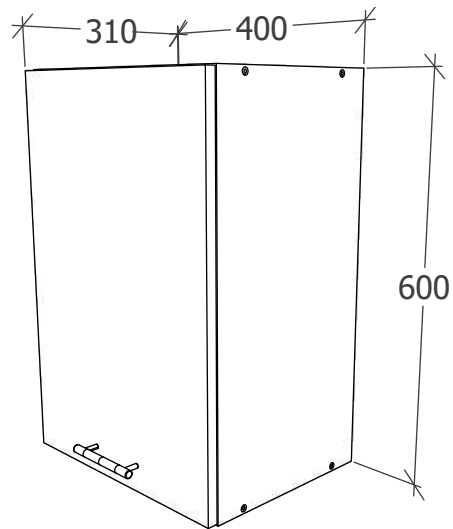


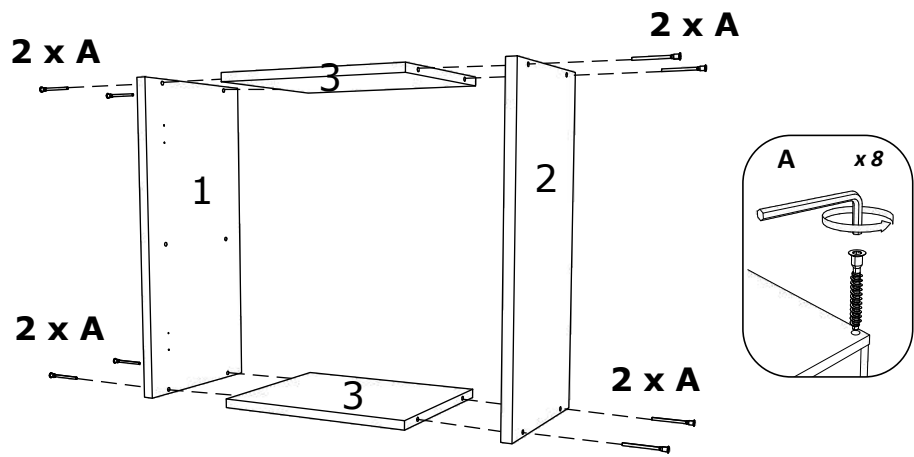
# CORP SUPERIOR 1 USA

400 x 310 x 600 mm

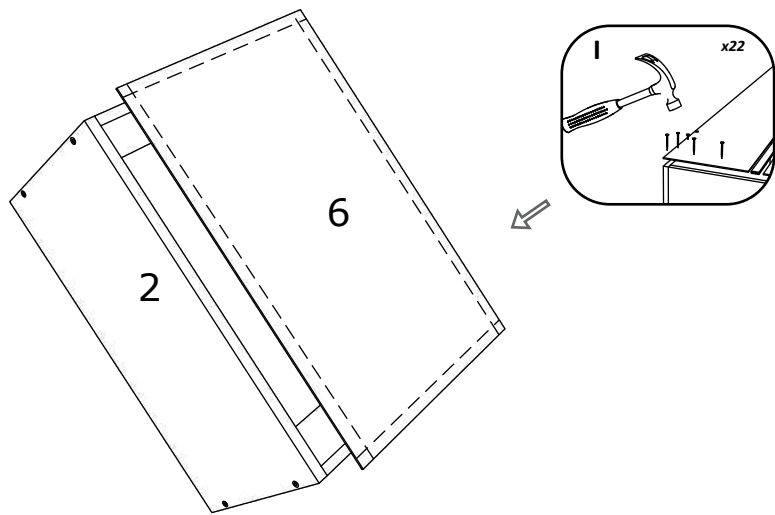


A	7x50mm	B		C	128 mm	D	M4 x 22 mm	E	3.5 x 16 mm	F	
8 x		8 x		1 x		2 x		12 x		1 x	
G		H		I		J	8 mm	K	6x80mm	L	
2 x		4 x		22 x		2 x		2 x		2 x	

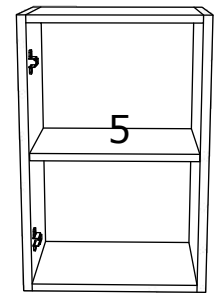
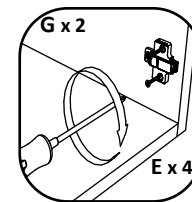
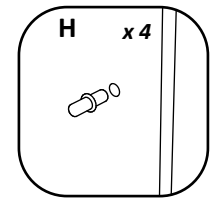
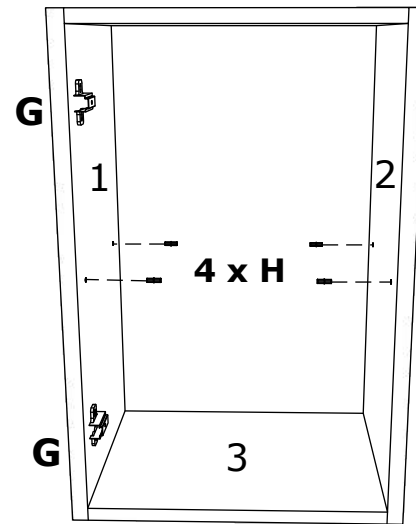
No	B	b	x
1	600	290	1
2	600	290	1
3	368	290	2
4	368	268	1
5	596	396	1
6	596	396	1



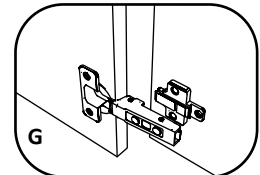
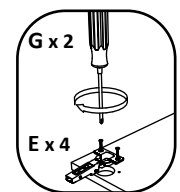
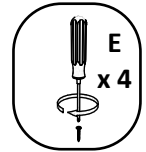
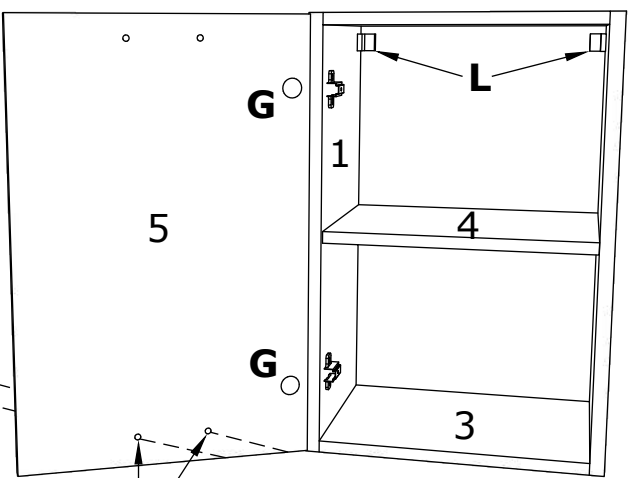
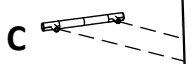
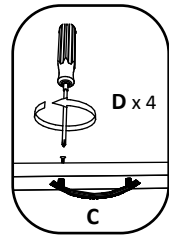
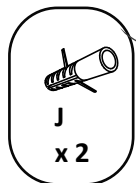
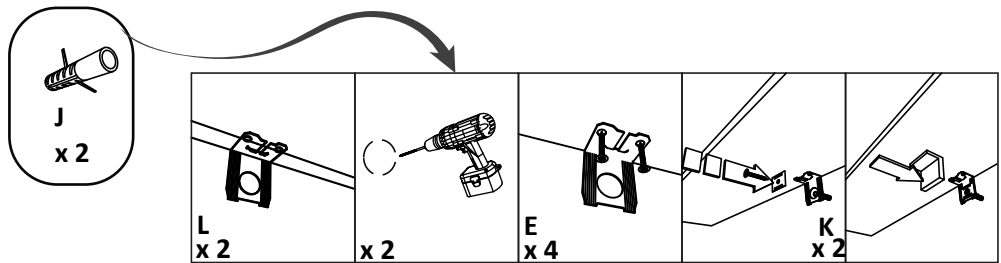
1



2



3



**OR**

