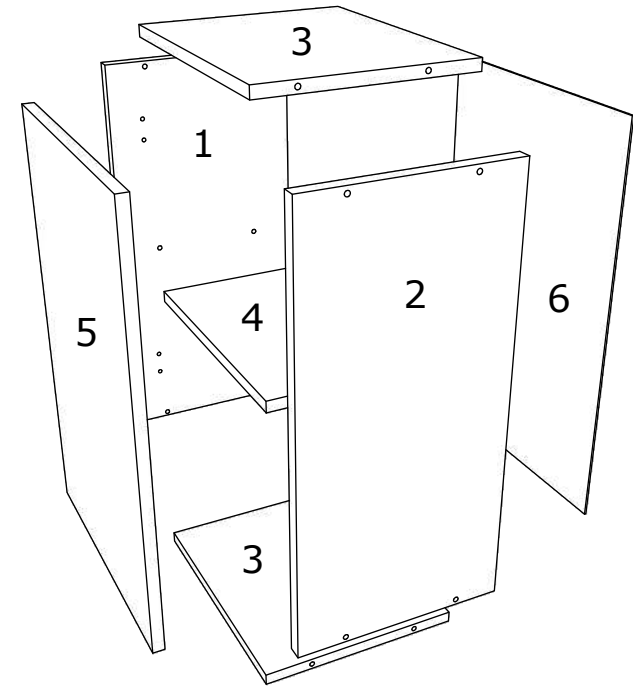
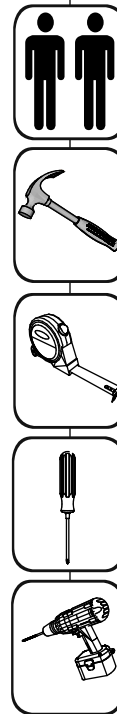
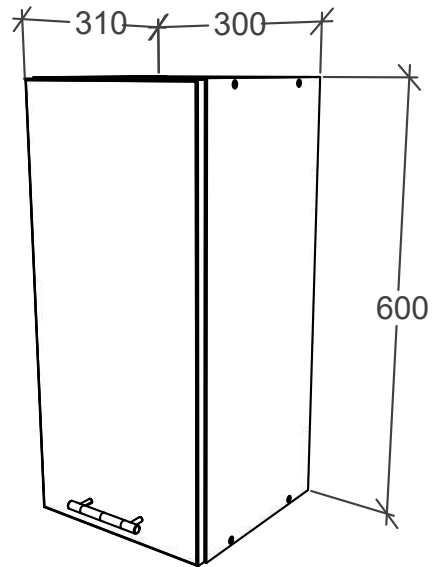


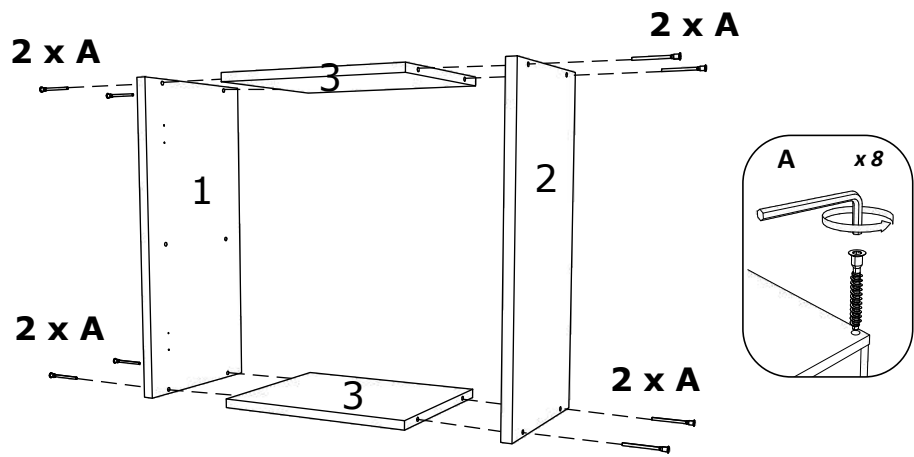
CORP SUPERIOR 1 USA

300 x 310 x 600 mm

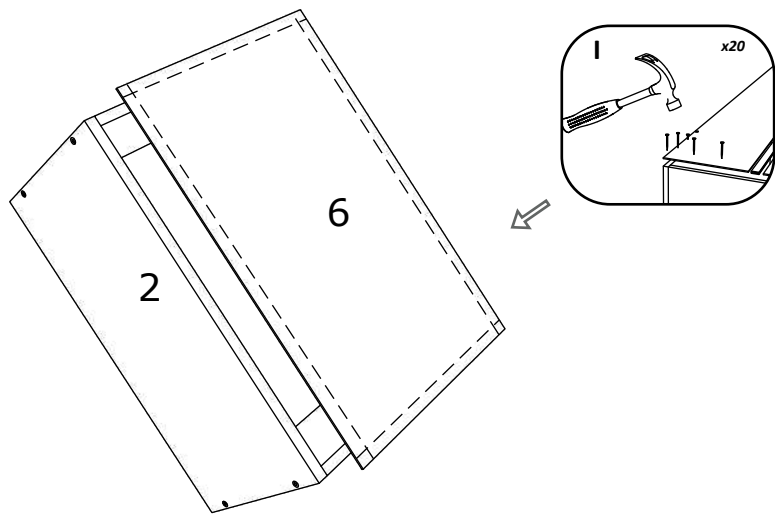


A	7x50mm	B		C	128 mm	D	M4 x 22 mm	E	3.5 x 16 mm	F	
8 x		8 x		1 x		2 x		12 x		1 x	
G		H		I		J	8 mm	K	6x80mm	L	
2 x		4 x		20 x		2 x		2 x		2 x	

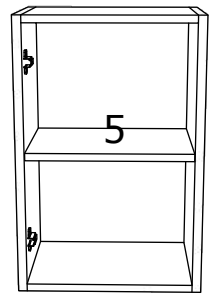
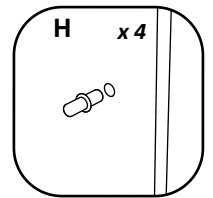
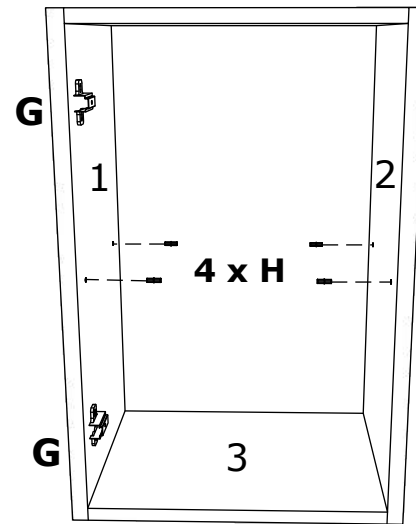
No	B	b	x
1	600	290	1
2	600	290	1
3	268	290	2
4	268	268	1
5	596	296	1
6	596	296	1



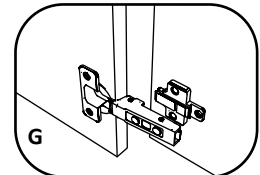
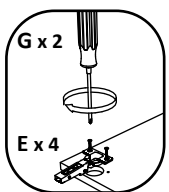
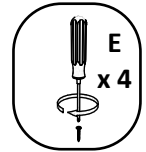
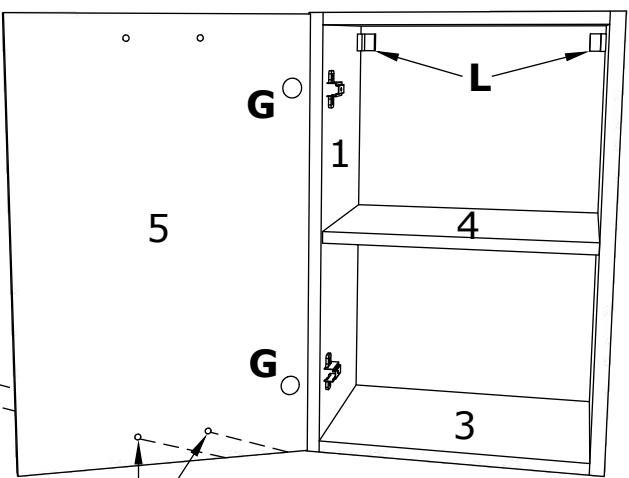
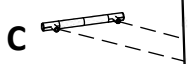
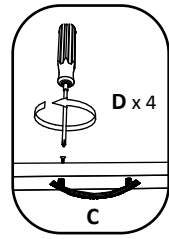
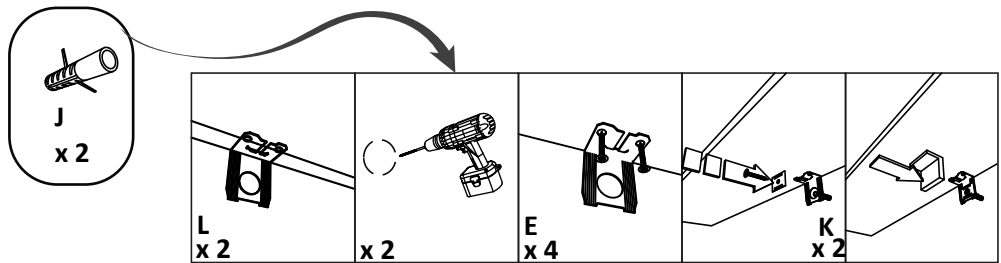
1



2



3



OR

