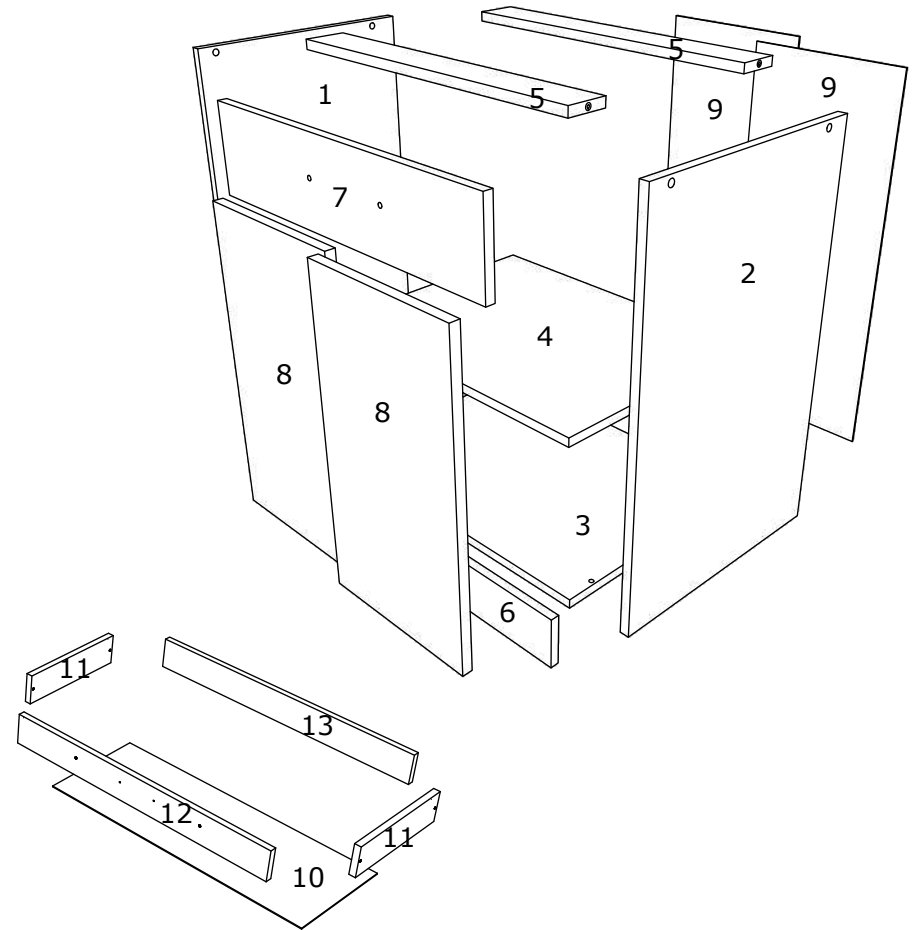
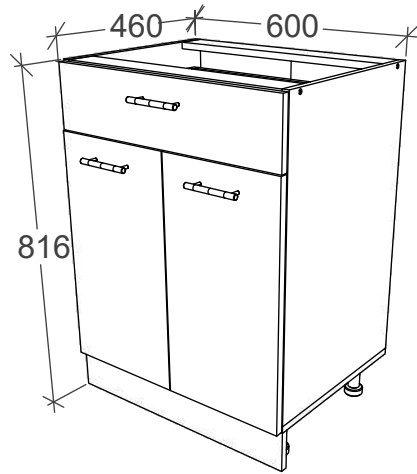


CORP BAZA 1 SERTAR + 2 USI

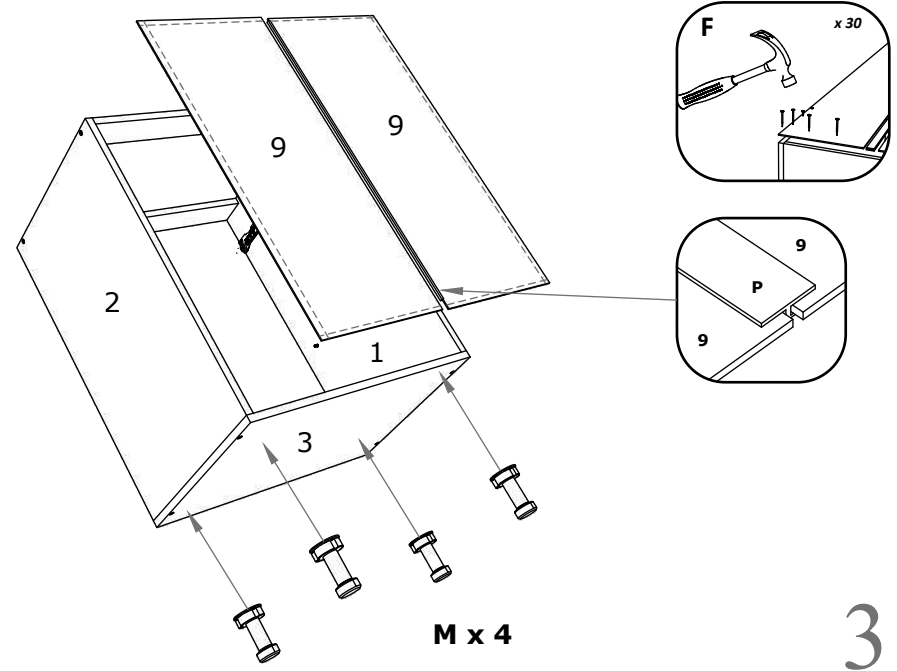
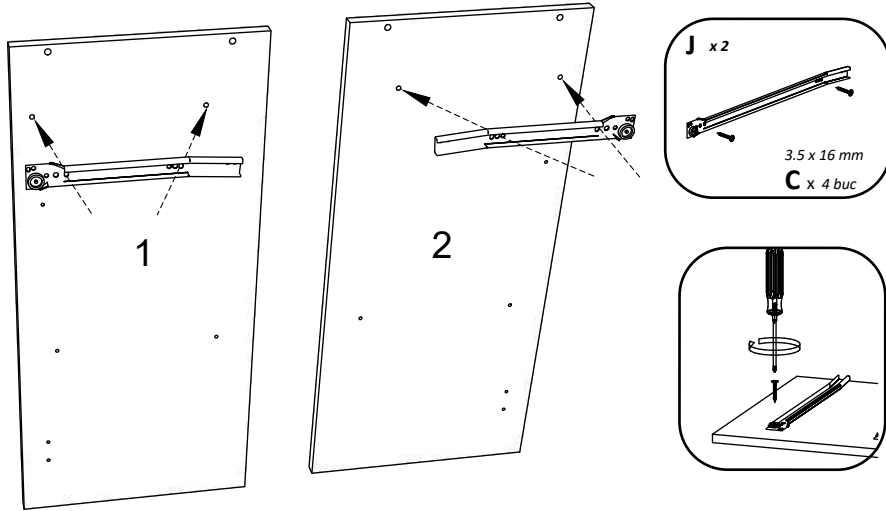
600 x 460 x 820 mm



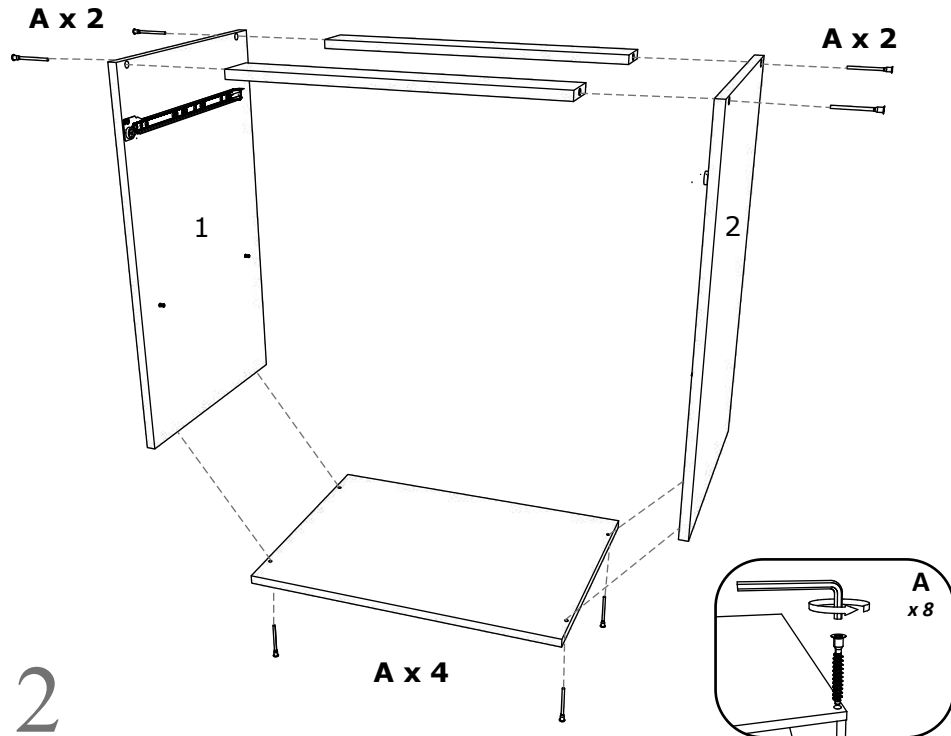
A 7x50mm x 8	B x 4	C 3.5 x 16 mm x 44	D 128 mm x 3	E x 4	F x 50
G M4 x 22 mm x 6	H 4.2 x 32 mm x 2	I x 1	J 400 mm x 1	K 3.5 x 25 mm x 6	L 3.5 x 35 mm x 4
M H100 x 4	N x 4	O x 2	P 1 x 680mm	R ∅12mm x 2	

No	B	b	x
1	700	440	1
2	700	440	1
3	600	440	1
4	568	420	1
5	568	70	2
6	600	95	1
7	596	152	1
8	296	556	2
9	712	296	2
10	400	542	1
11	400	80	2
12	511	80	1
13	511	80	1

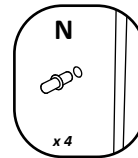
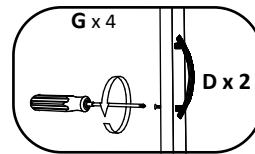
1



3



2



4

