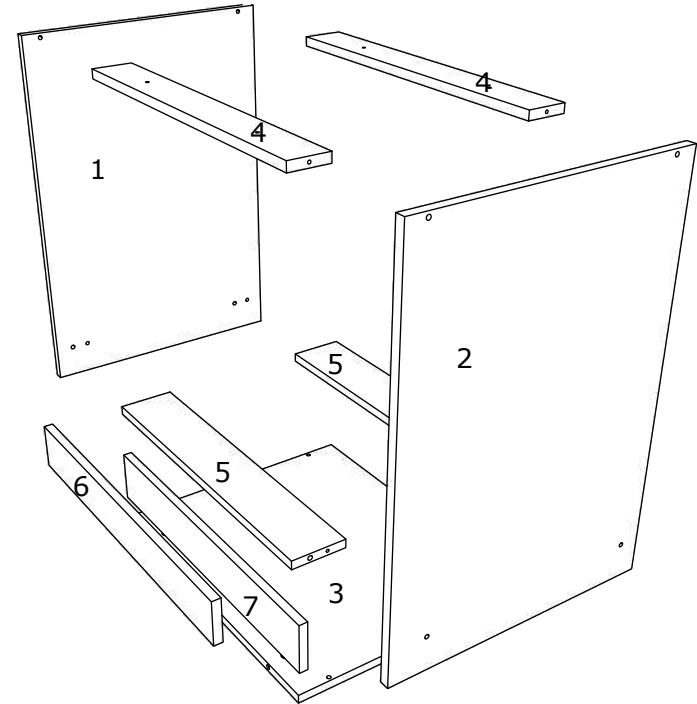
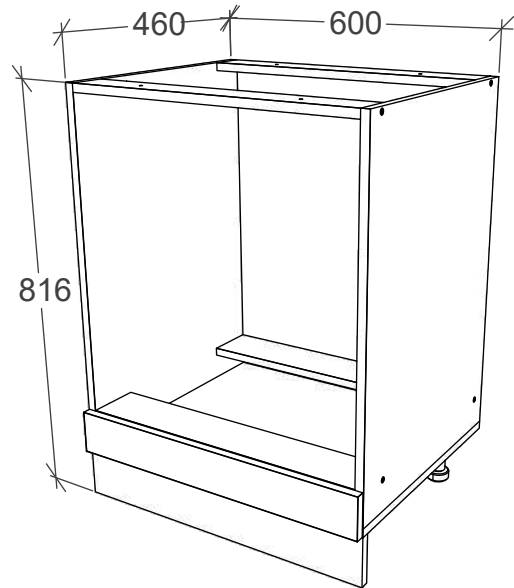



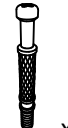


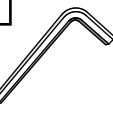





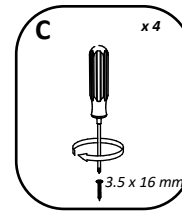
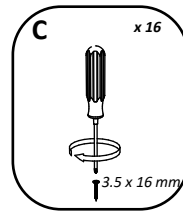
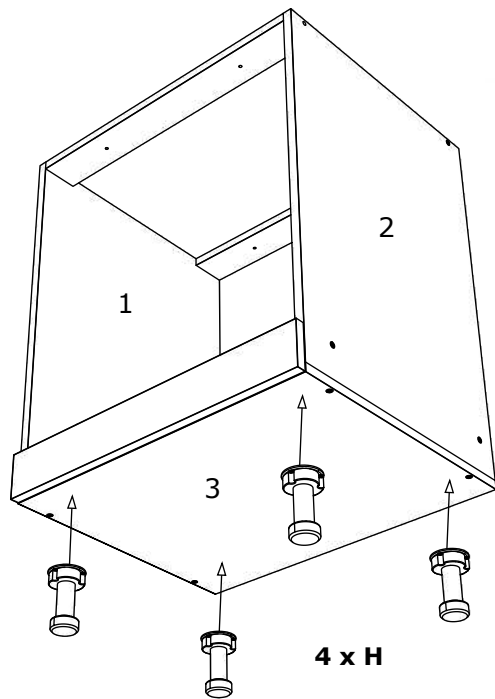
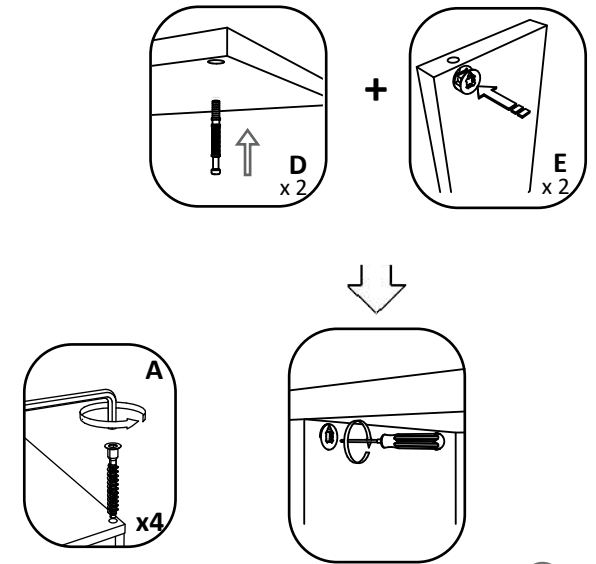
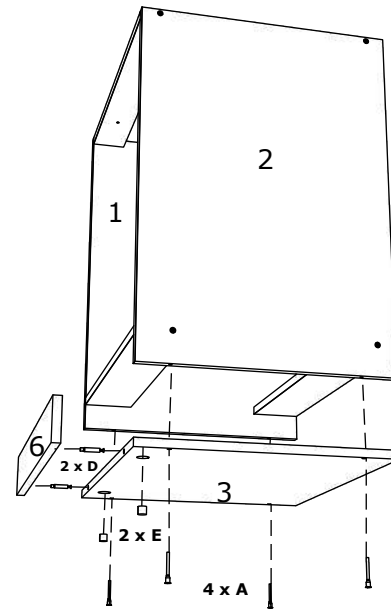
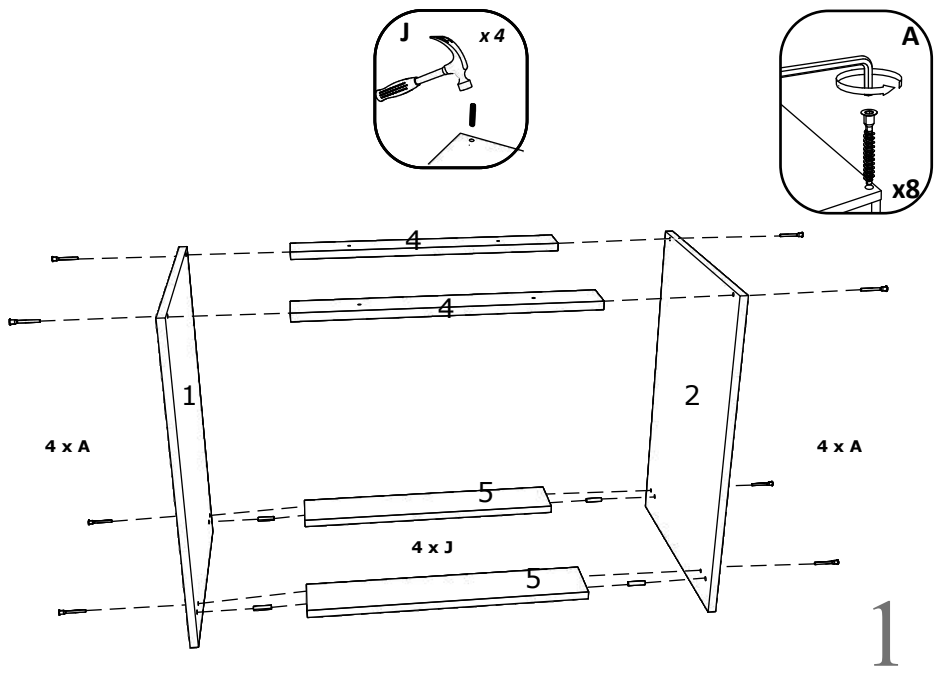
CORP BAZA CUPTOR

600 x 460 x 816 mm

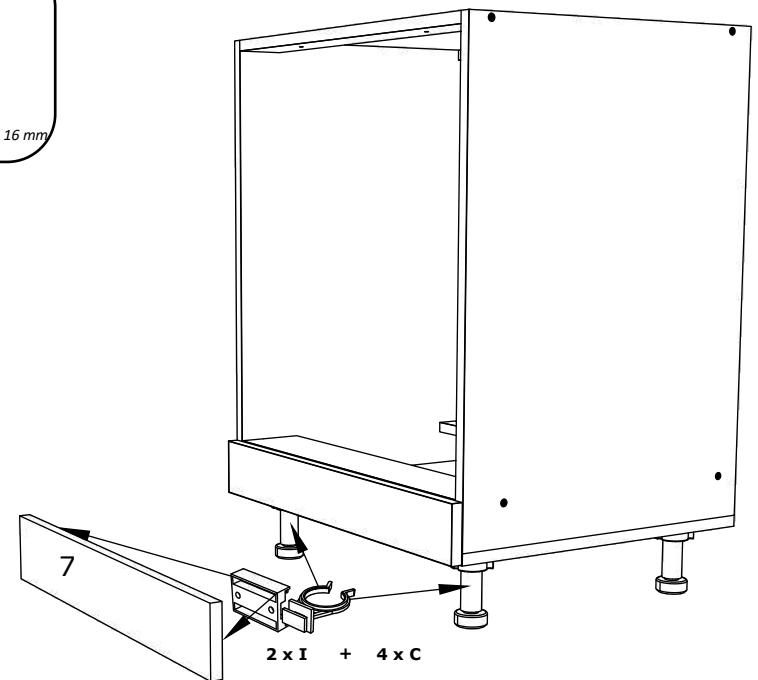


A  x 12	B  x 8	C  x 20	D  x 2	E  x 2
F  x 4	G  x 1	H  x 4	I  x 2	J  x 4

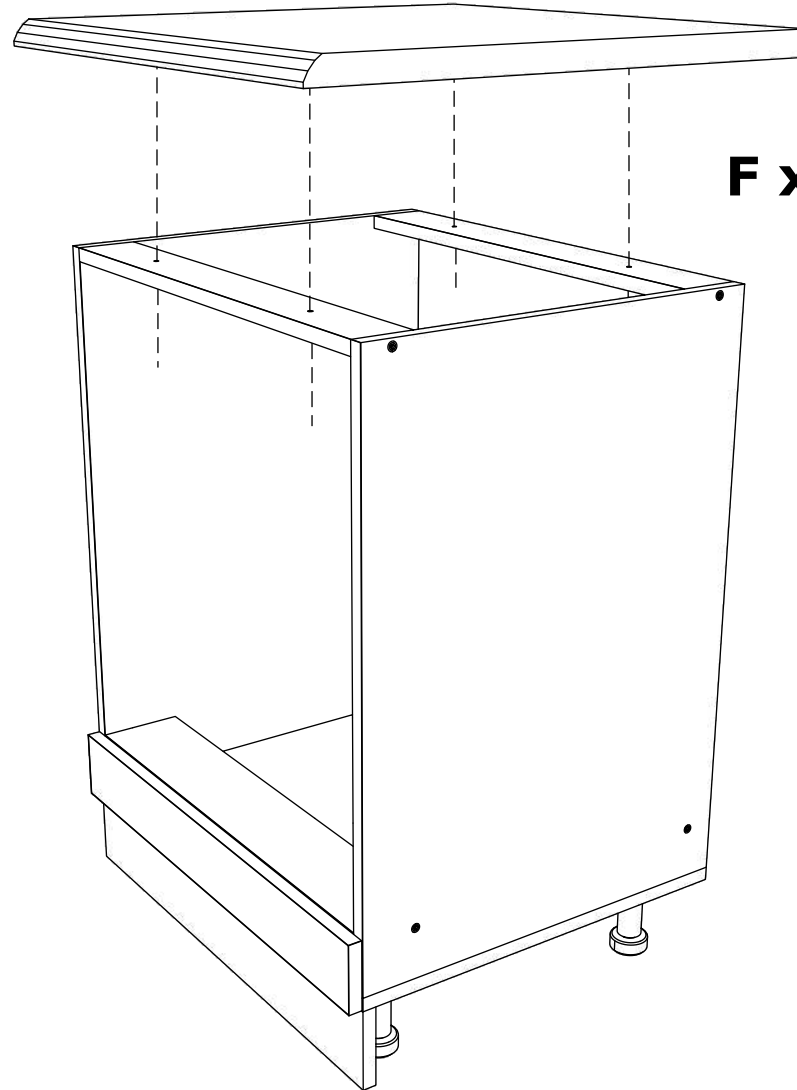
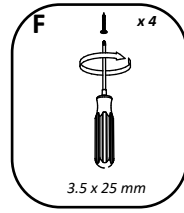
No	B	b	x
1	700	440	1
2	700	440	1
3	600	440	1
4	568	70	2
5	568	100	2
6	600	95	1
7	596	96	1



3



4



F x 4