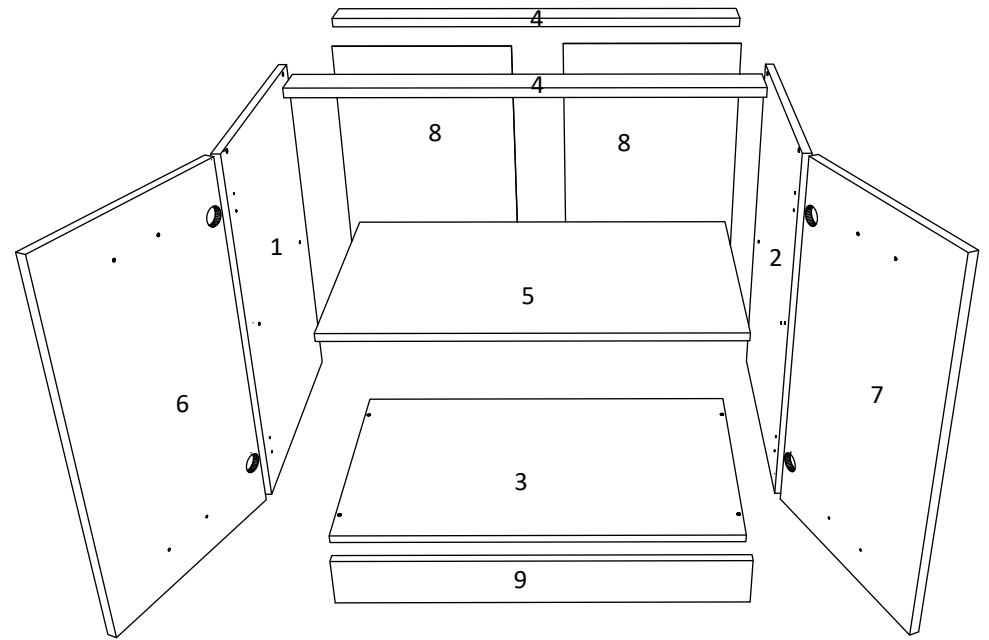
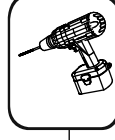
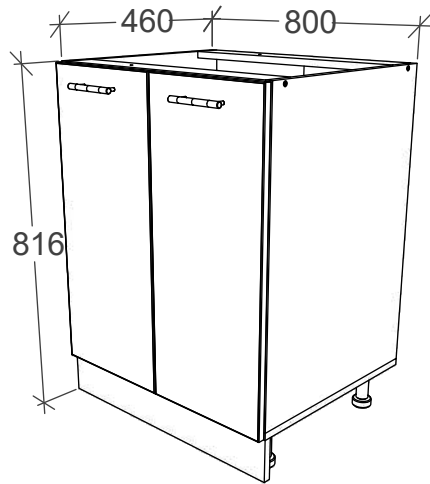


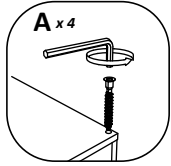
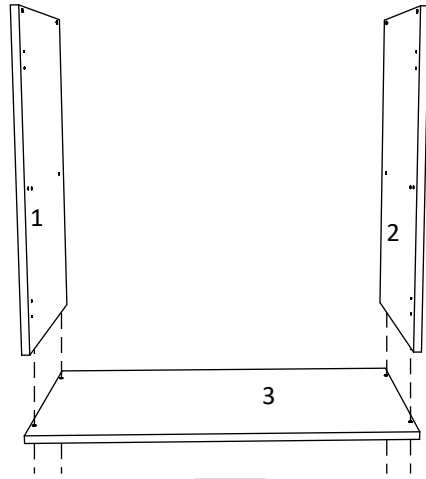
# CORP BAZA 2 USI

800 x 460 x 820 mm

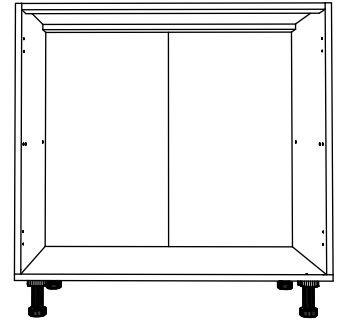
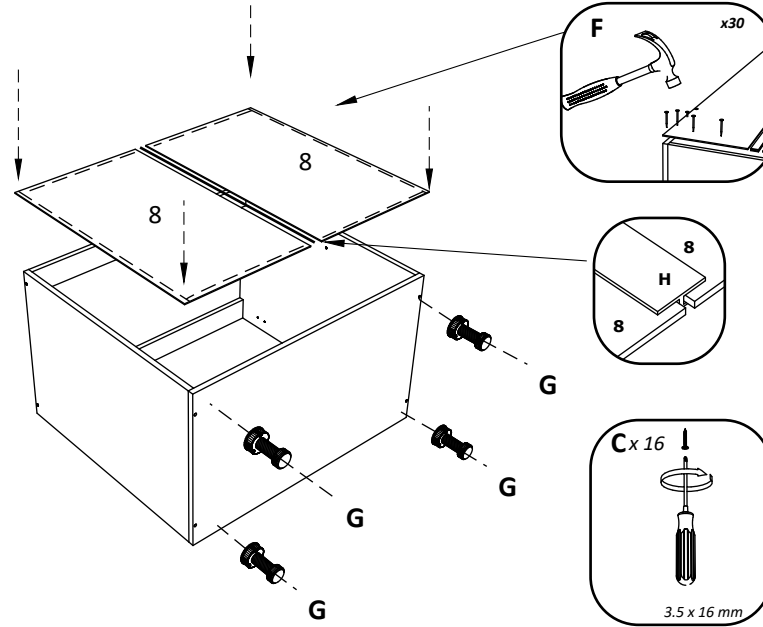


A	7x50mm x 8	B	x 4	C	3.5 x 16 mm x 36	D	128 mm x 2	E	x 4
F	x 30	G	M4 x 22 mm x 4	H	1 x 680mm	I	x 1	J	x 2
K	3.5 x 25 mm x 4	L	H100 x 4	M	x 4				

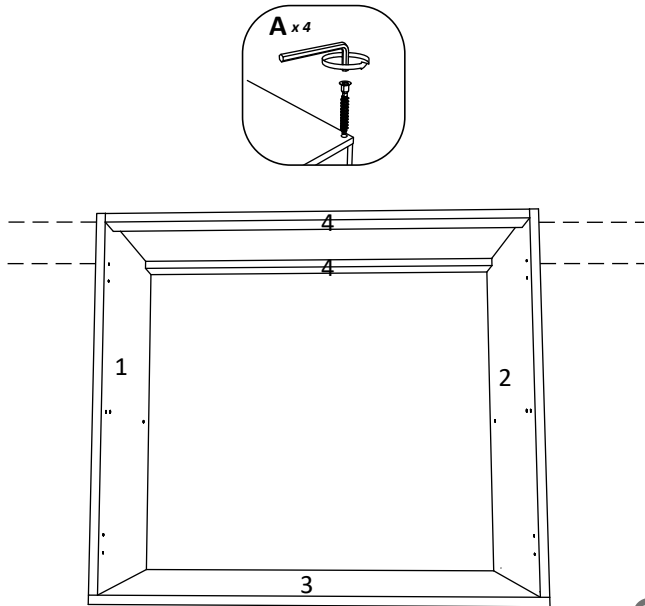
No	B	b	x
1	700	440	1
2	700	440	1
3	800	440	1
4	768	70	2
5	768	420	1
6	396	712	1
7	396	712	1
8	712	396	2
9	800	95	1



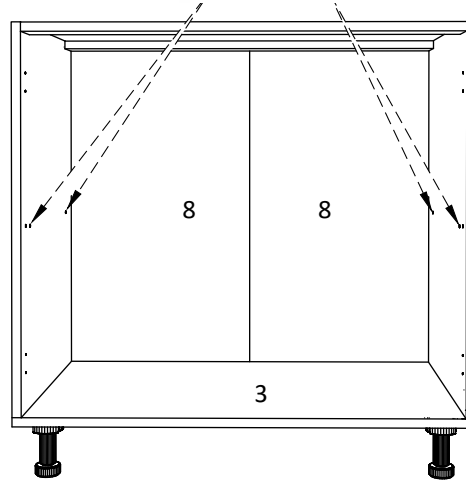
1



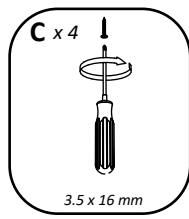
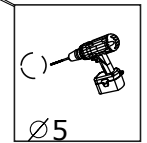
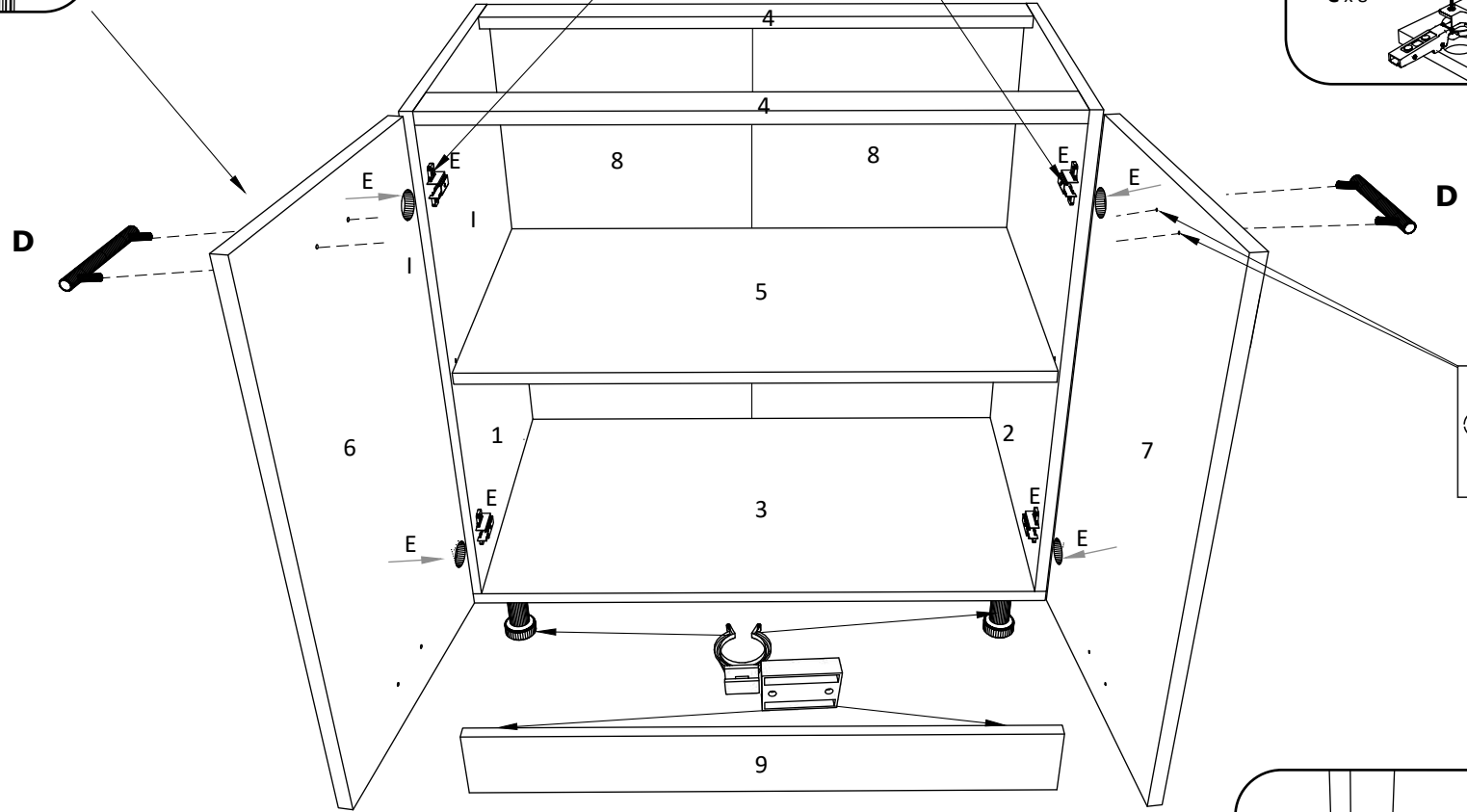
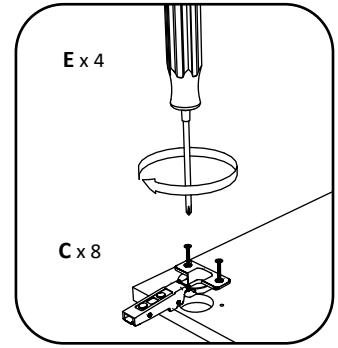
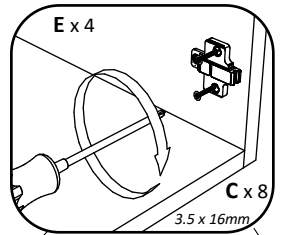
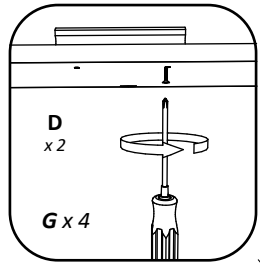
3



2



4



2 x J + 4 x C

