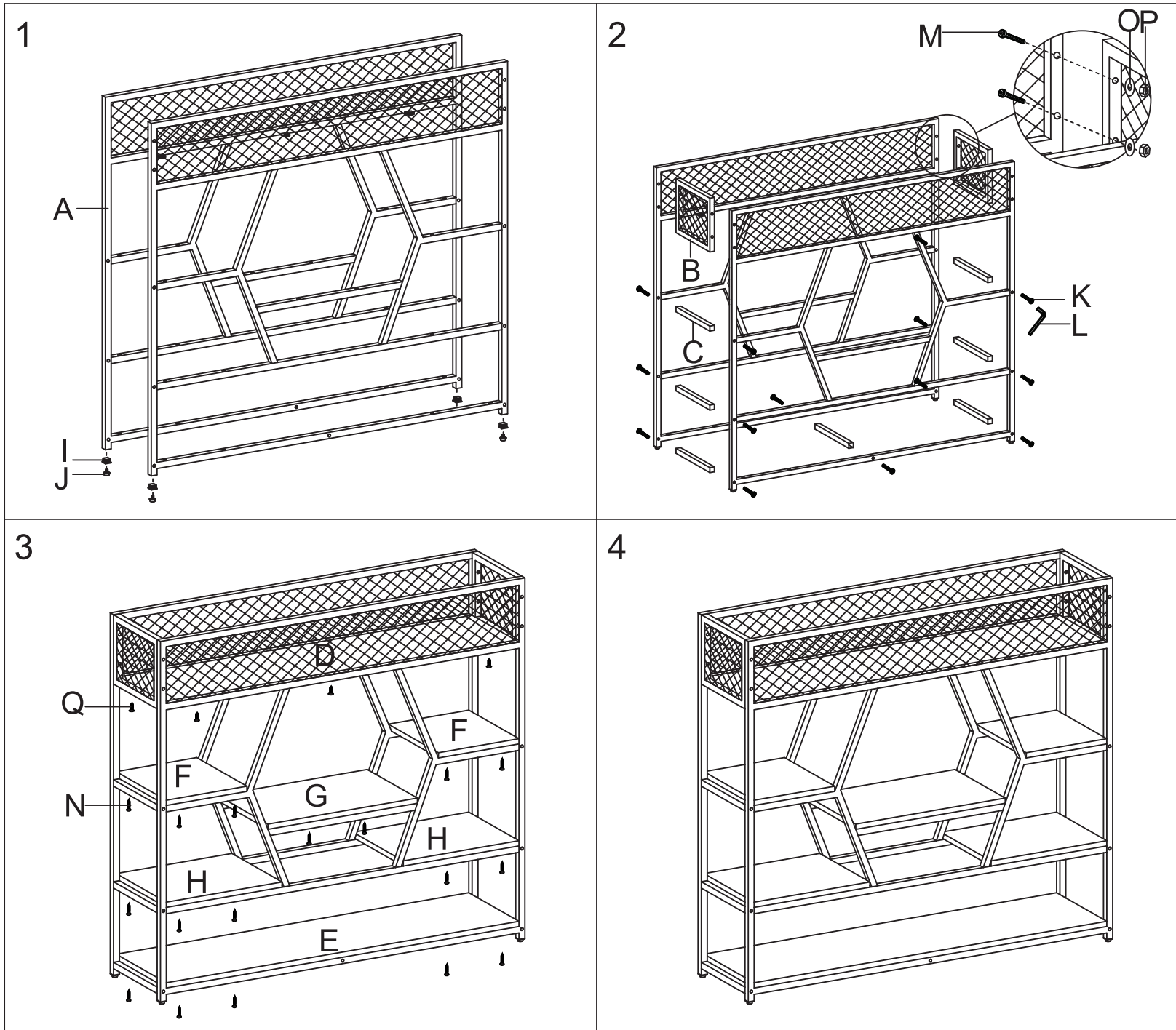


# INSTRUCTIUNI DE ASAMBLARE



A		2
B		2
C		7
D	 1156x258mm	1
E	 1156x300mm	1
F	 260x300mm	2
G	 466x300mm	1
H	 418x300mm	2
I		4
J		4
K	 M8x40mm	14
L		1
M	 M6x50mm	8
N	 M4x30mm	28
O		8
P		8
Q	 M4x14mm	6