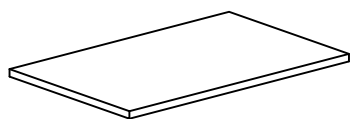
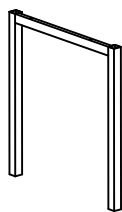


MONTÁŽNY NÁVOD AMANDA SET

Skrutky dotiahnite až po úplnom zmontovaní stola a stoličiek



A × 1 Ks



B × 2 Ks



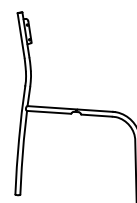
C × 2 Ks



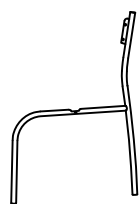
D × 4 Ks



E × 4 Ks



F × 4 Ks



G × 4 Ks



M6

H × 4 Ks



M4 × 12mm

I × 16 Ks



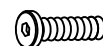
M6 × 12mm

J × 8 Ks



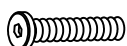
M6 × 32mm

K × 4 Ks



M6 × 35mm

L × 24 Ks



M6 × 50mm

M × 4 Ks

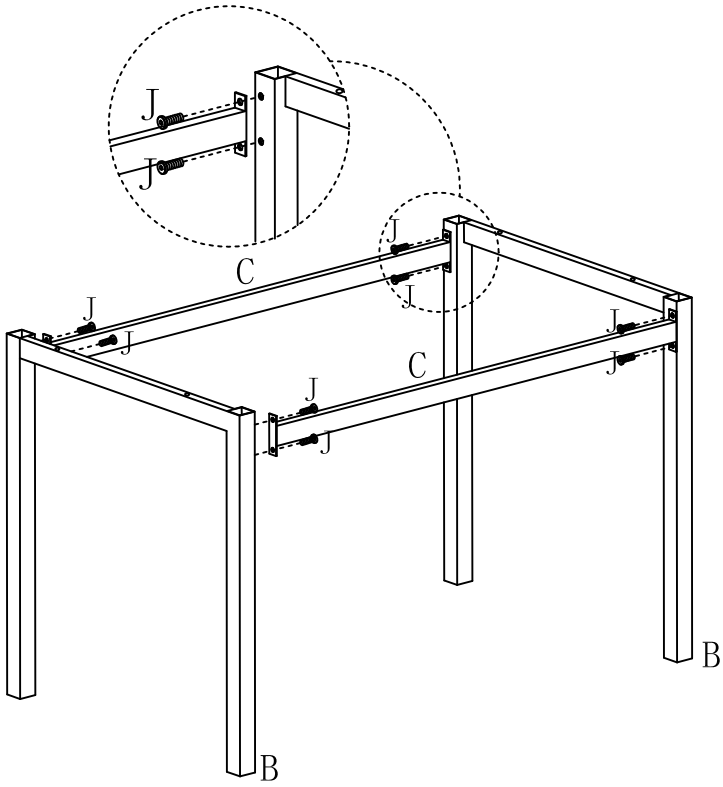


N × 1 Ks

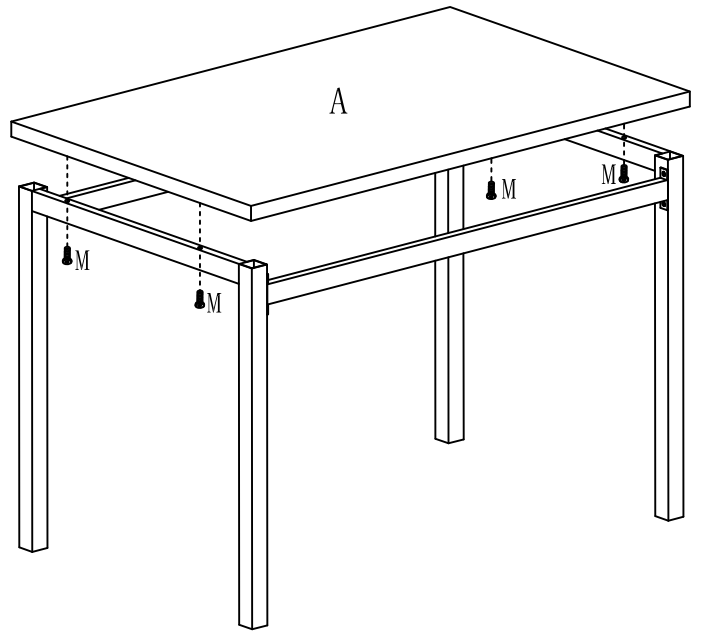


O × 1 Ks

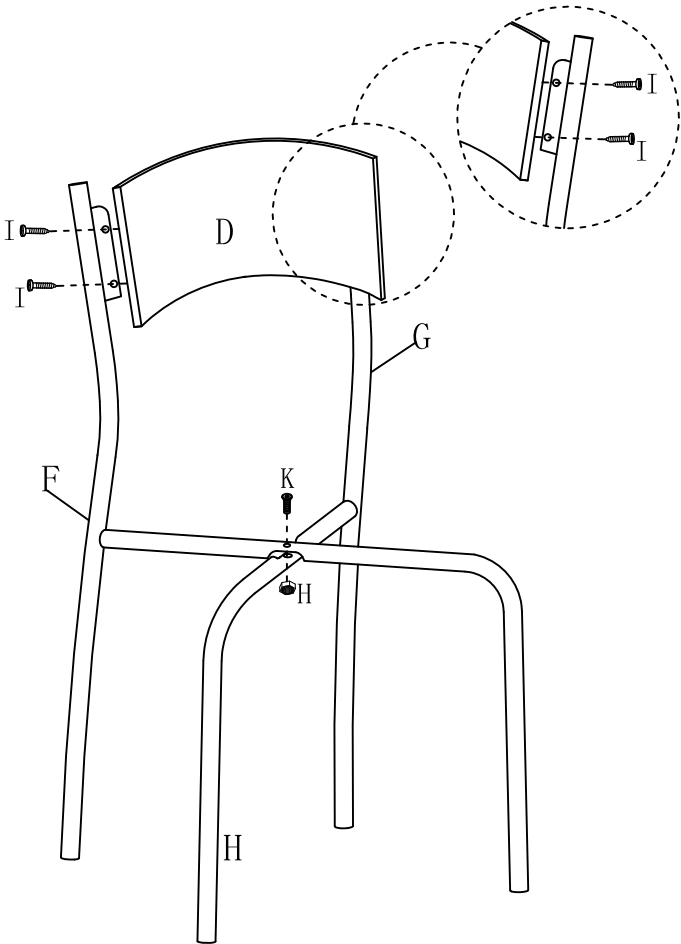
1



2



3



4

