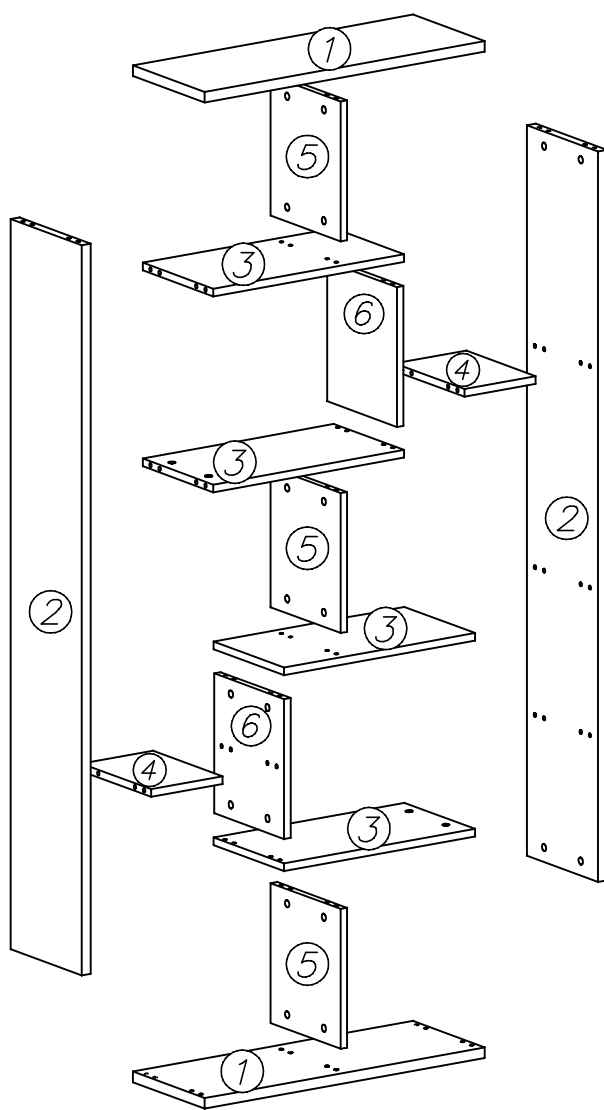
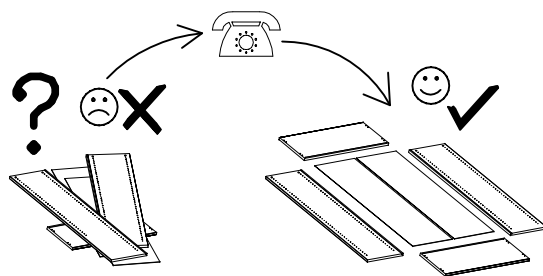
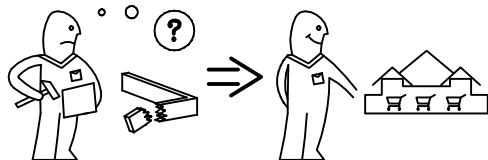
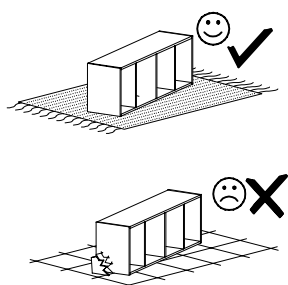

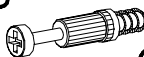




ZIG ZAG





K2 
 ø15x16 x...(8)


K5 
 x...(44)

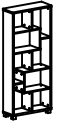
B1 
 ø8x35 x...(44)

I7 
 x...(44)

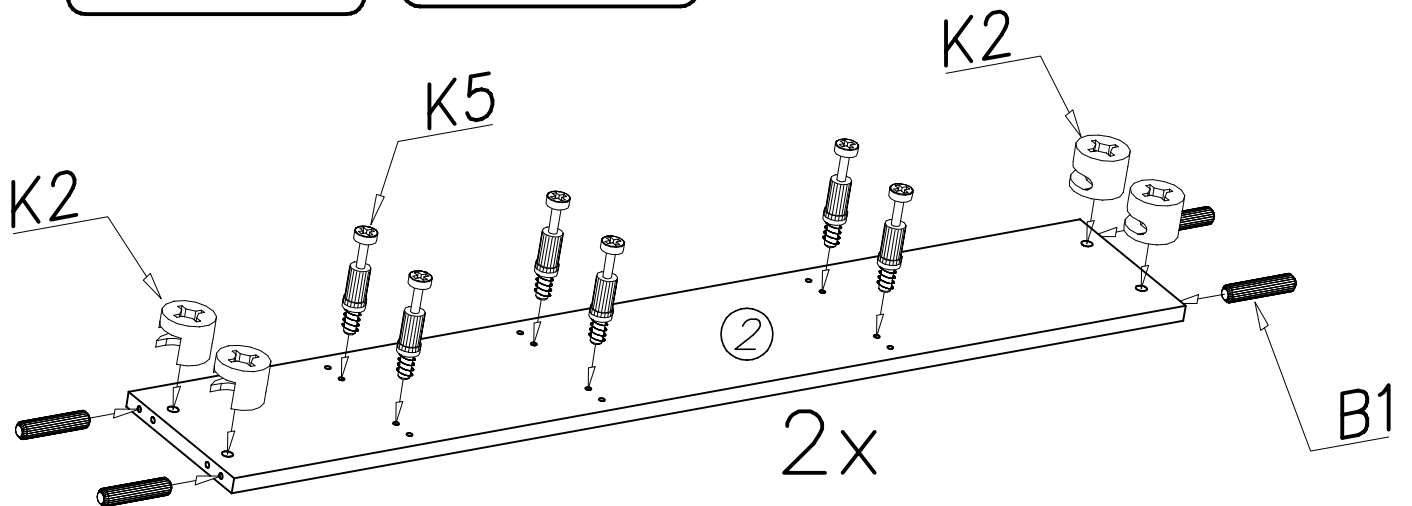
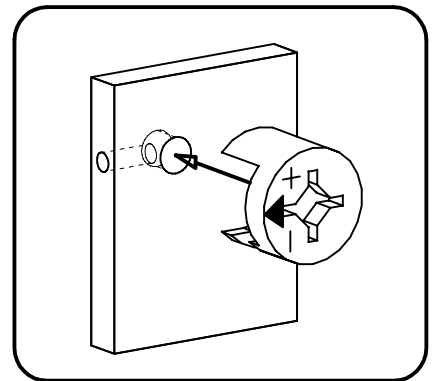
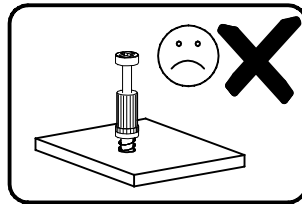
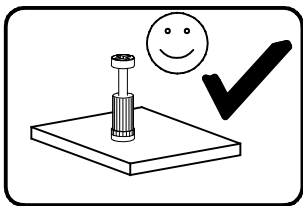
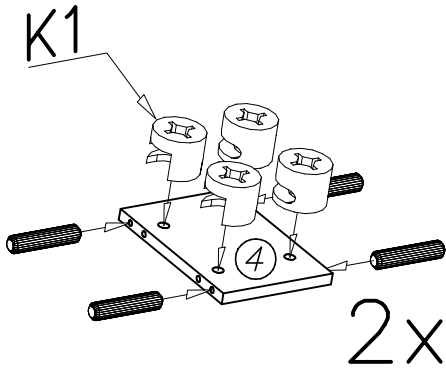
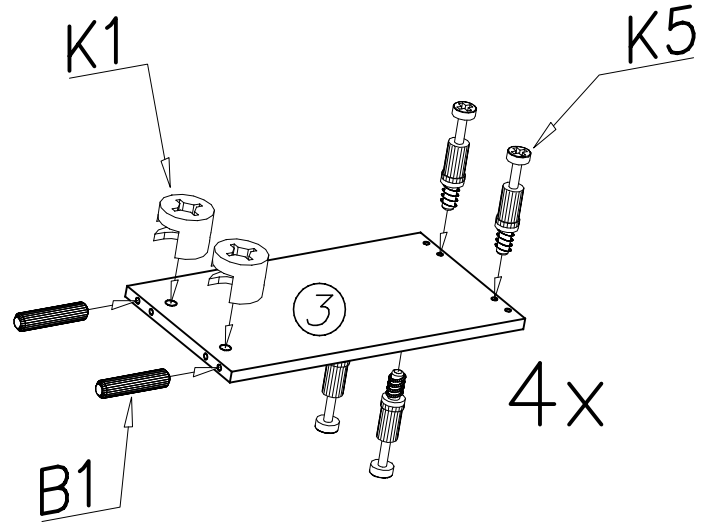
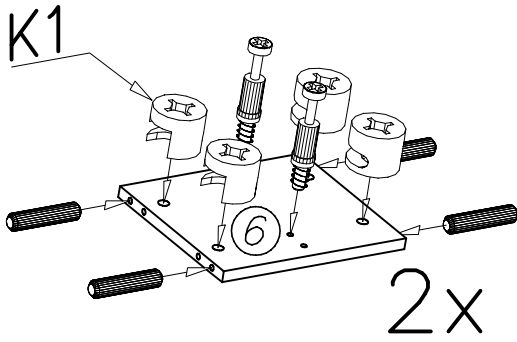
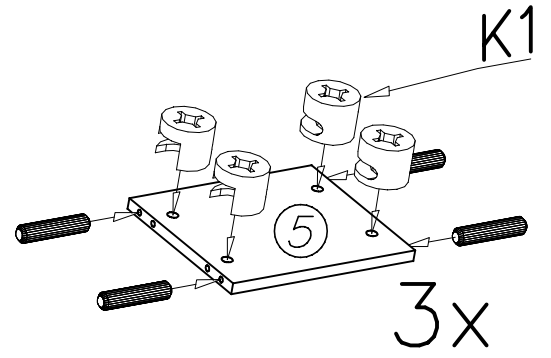
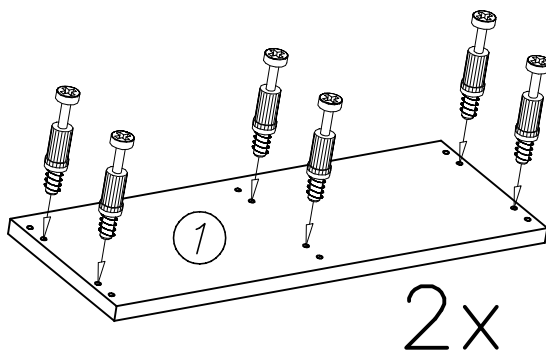
K1 
 ø15x12 x...(36)

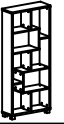
P18 
 x...(6)

G12 
 4x25 x...(12)

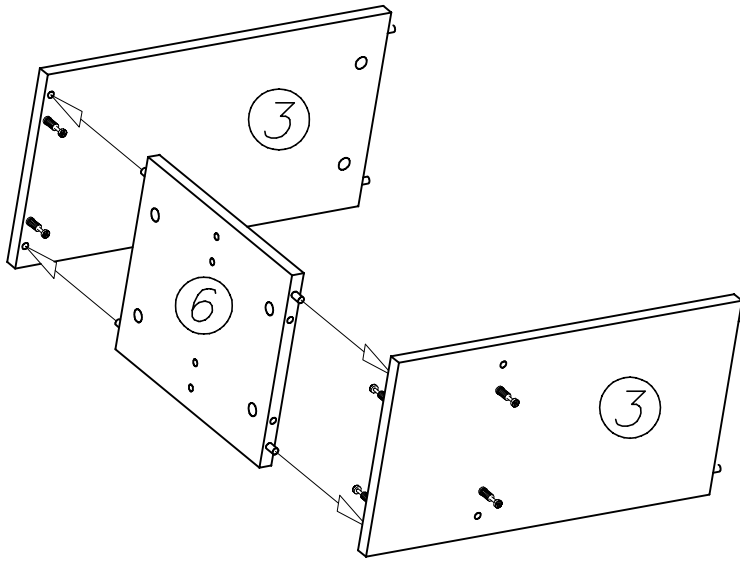


I

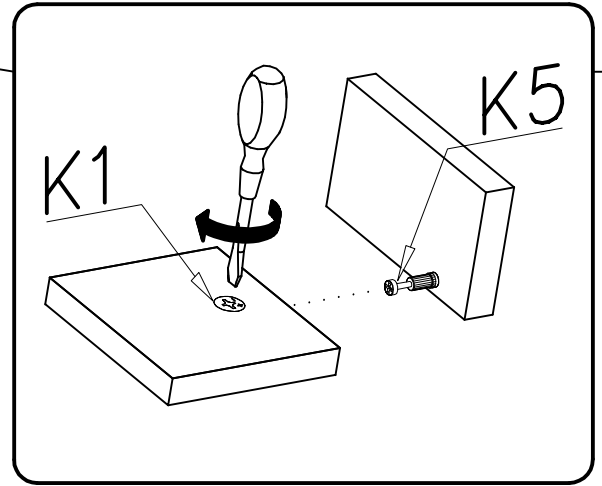
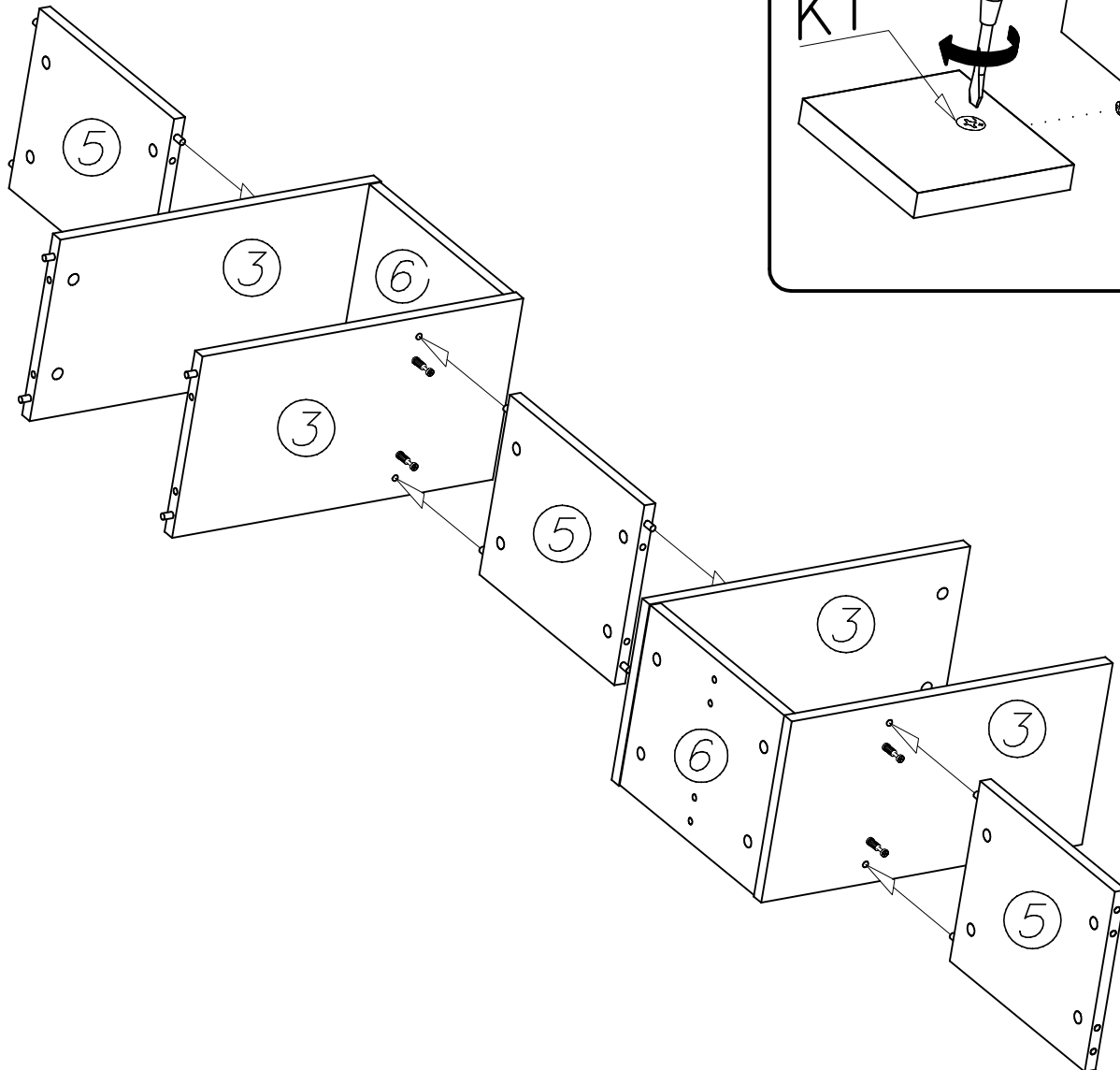




II

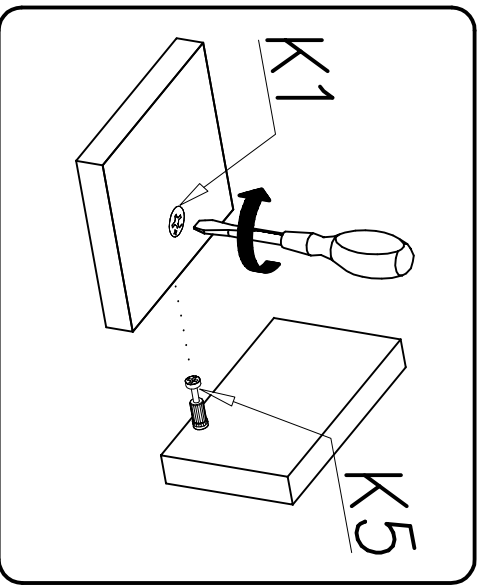
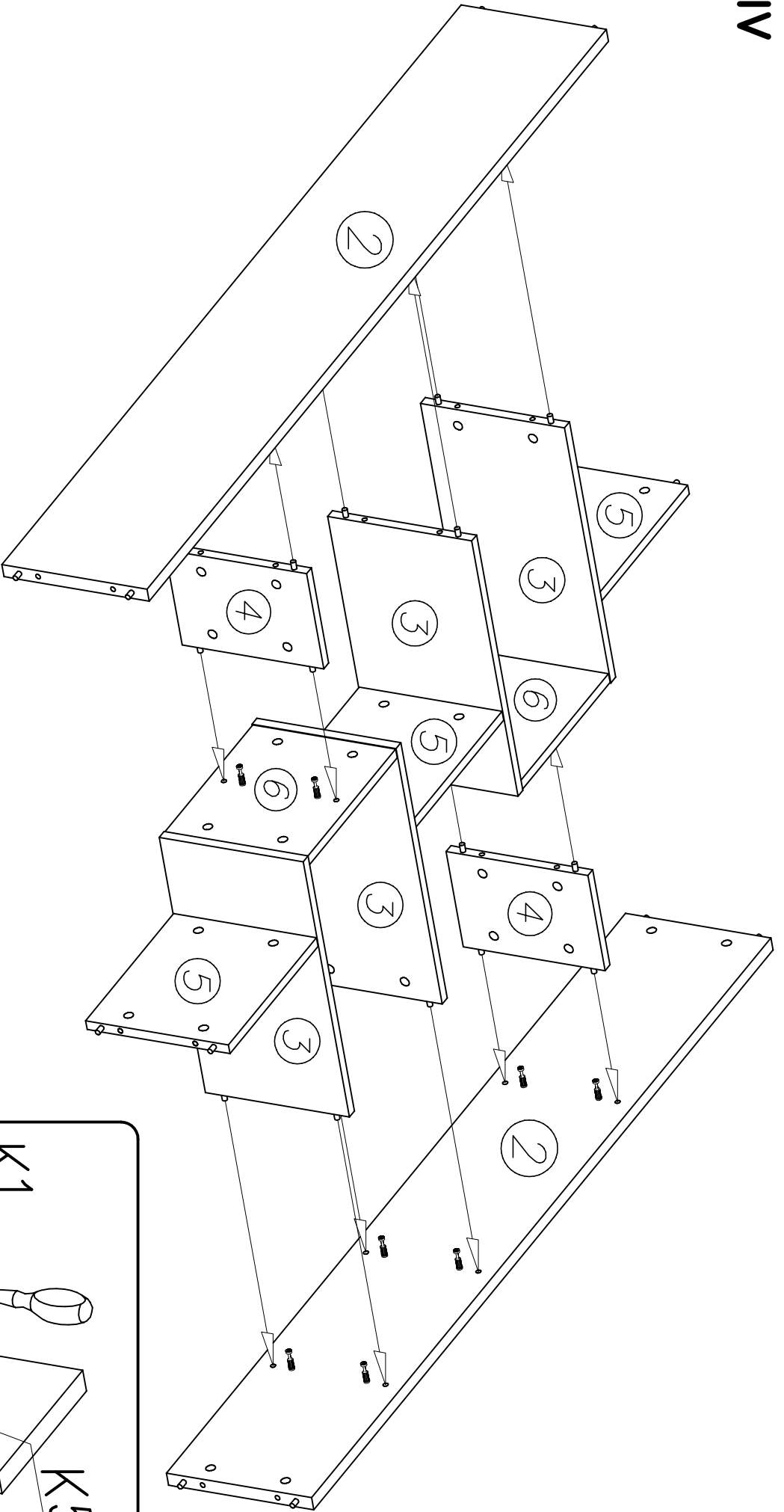


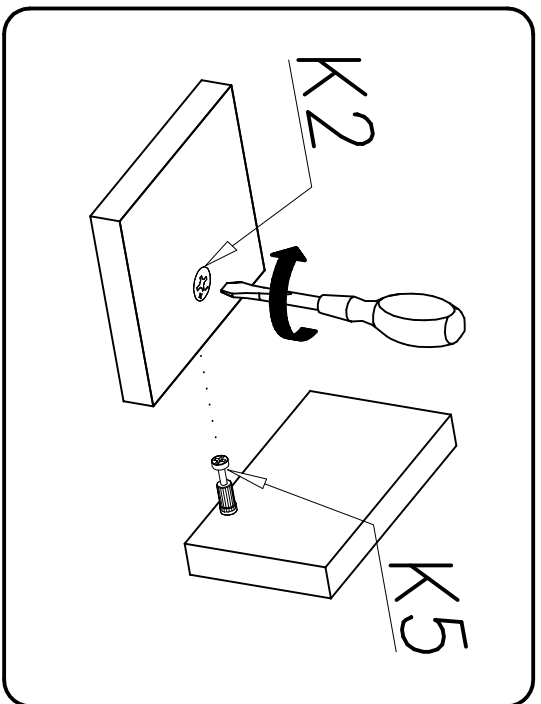
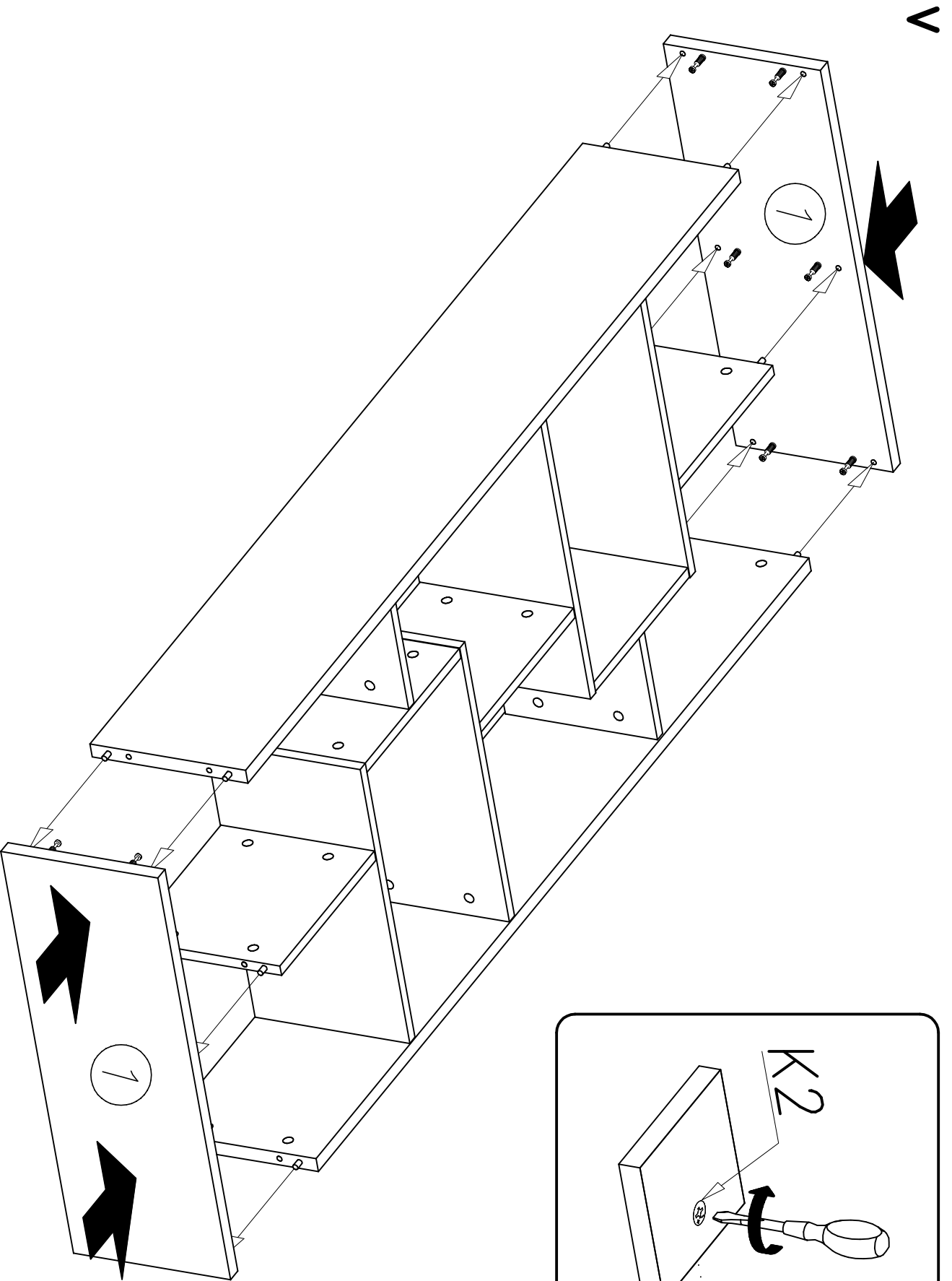
III





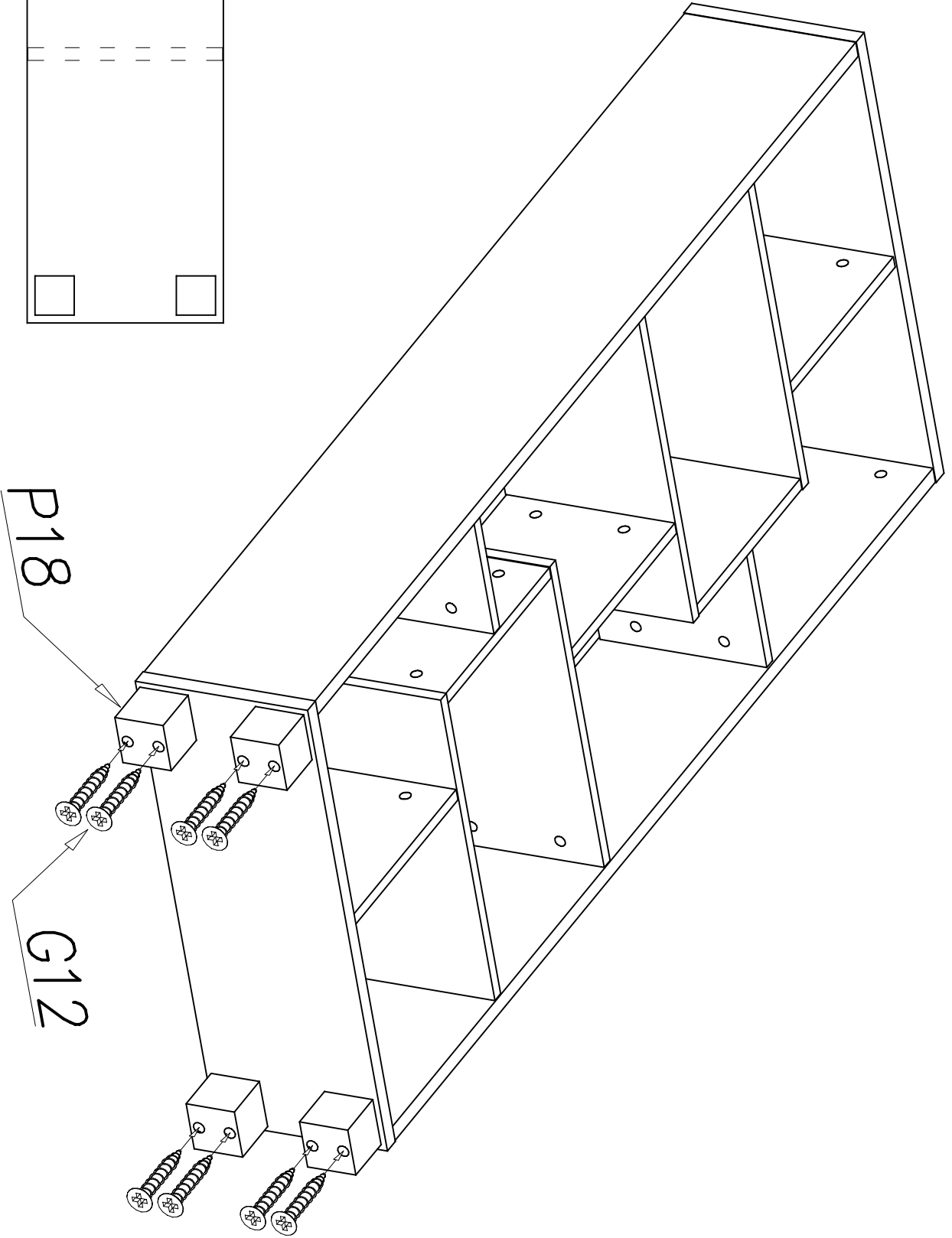
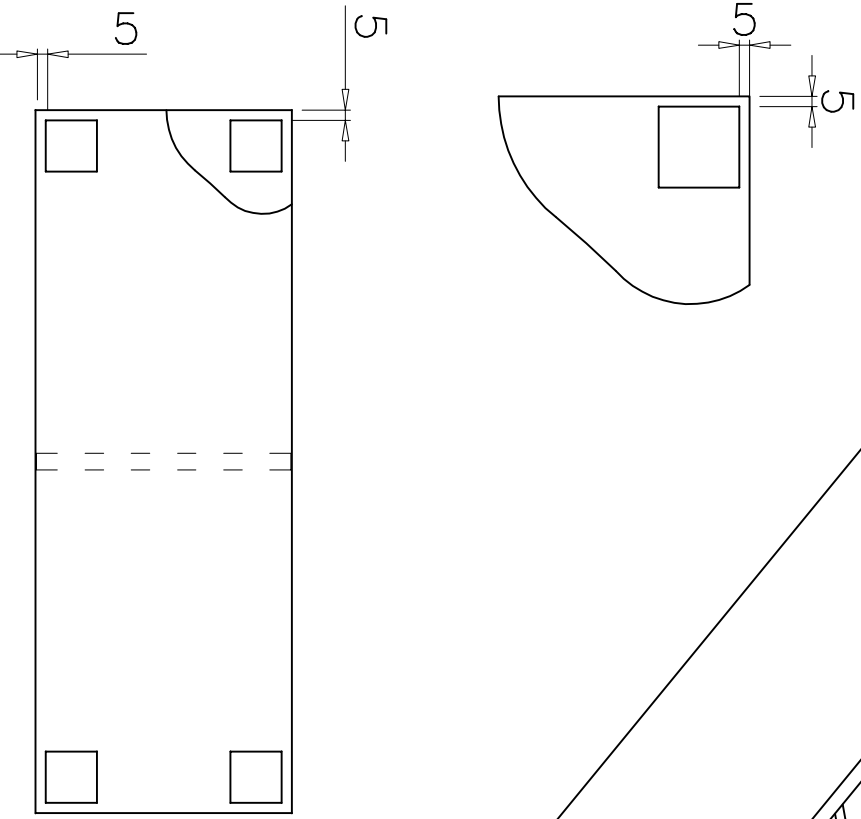
IV







W





VII

