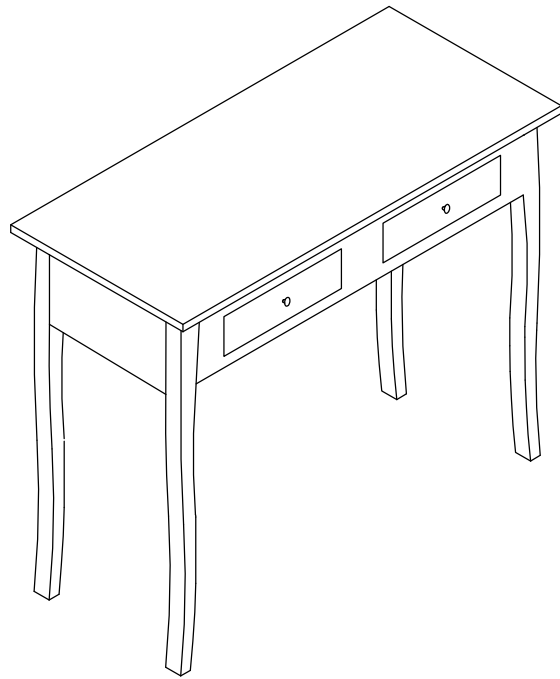
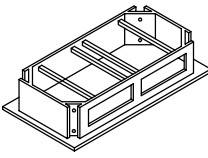

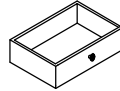
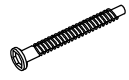


# ASSEMBLY INSTRUCTIONS



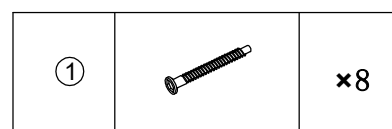
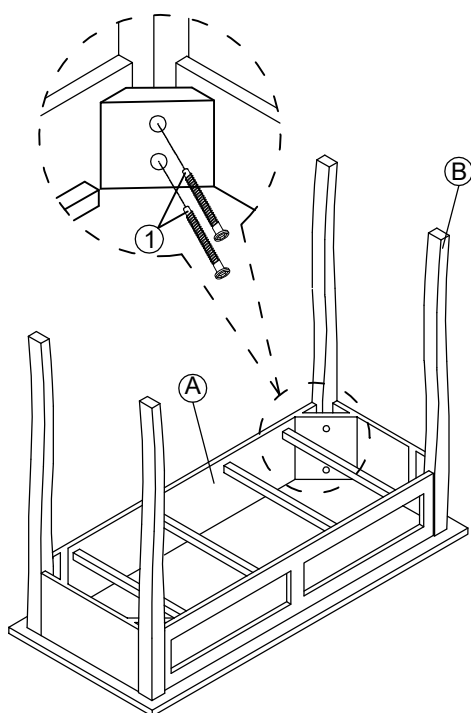
2	PARTS LIST
---	------------

<p>(A)</p>  <p>x 1</p>	<p>(B)</p>  <p>x 4</p>	<p>(C)</p>  <p>x 2</p>	<p>(1)</p>  <p>x 16</p>
---	---	--	--

3

# ASSEMBLY STEPS

## STEP 1



## STEP 2

