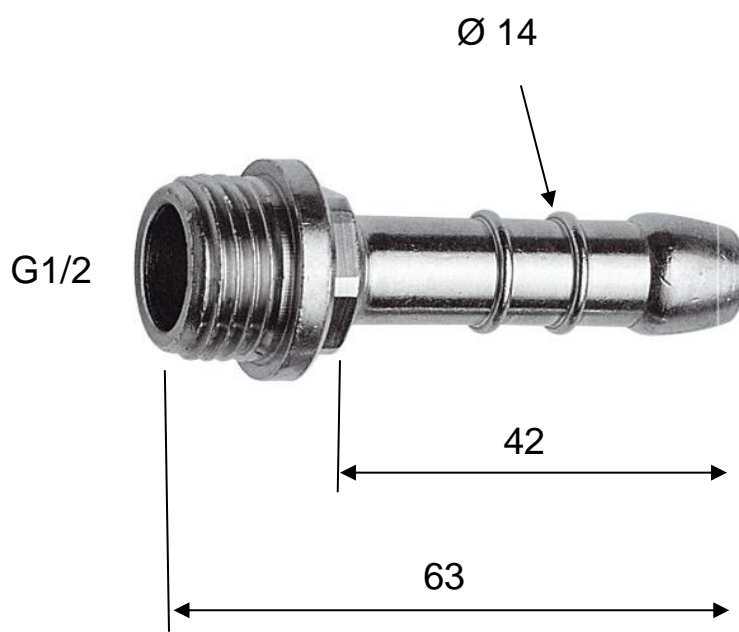


ART. COD. 531



MATERIALI / MATERIALS

OTTONE NICHELATO / NICKEL PLATED BRASS