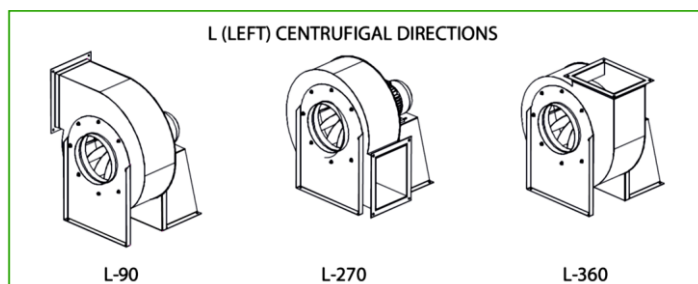
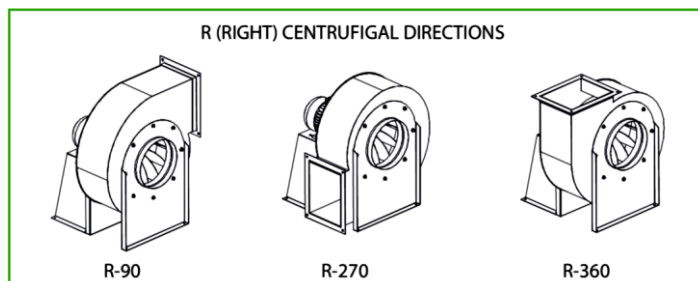
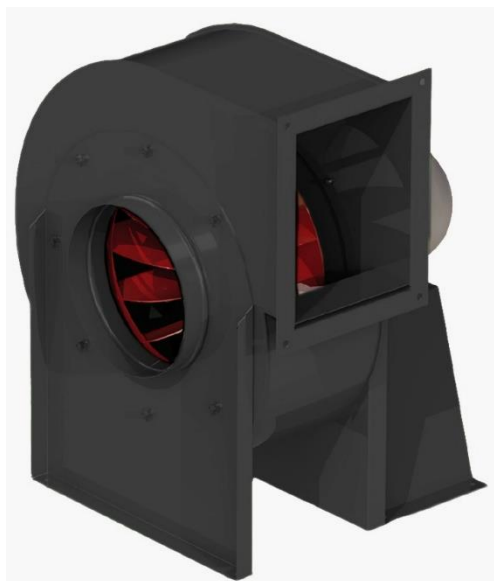


RSBY

Ventilatoare centrifugale cu presiune joasa cu pale orientate inainte

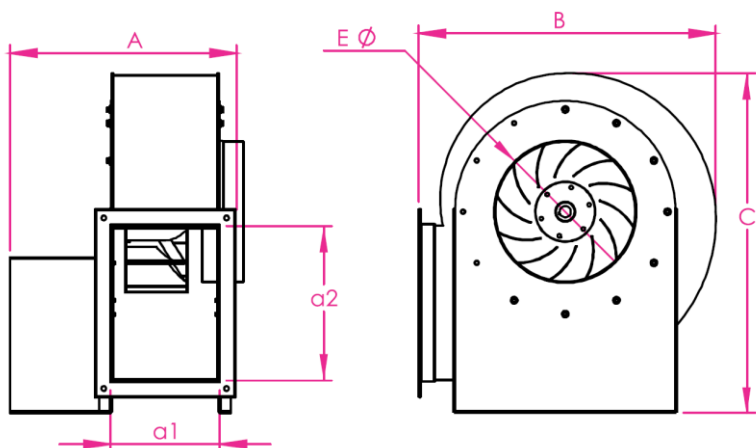


Date tehnice

Model	Cod	Denumire	Tensiune V/Hz	Putere kW	Curent	Viteza RPM	Debit mc/h	Presiune Pa
RSBY-1	REN0028	VENTILATOR CENTRIFUGAL TRIFAZIC RBSY-1	380/50	0.75	2.1	1400	3000	500
RSBY-1.5	REN0029	VENTILATOR CENTRIFUGAL TRIFAZIC RBSY-1,5	380/50	1.1	2.6	1400	4000	600
RSBY-2	REN0030	VENTILATOR CENTRIFUGAL TRIFAZIC RBSY-2	380/50	1.5	3.5	1400	5000	700
RSBY-3	REN0031	VENTILATOR CENTRIFUGAL TRIFAZIC RBSY-3	380/50	2.2	5	1400	6500	800
RSBY-5.5	REN0032	VENTILATOR CENTRIFUGAL TRIFAZIC RBSY-5.5	380/50	4	8.2	1400	8500	1000

Dimensiuni (mm)

Model	Cod	Greutate kg	A	B	C	Introducere E Ø	Evacuare a1	Evacuare a2
RSBY-1	REN0028	8	437	530	580	220	190	265
RSBY-1.5	REN0029	9	467	570	620	240	200	275
RSBY-2	REN0030	11	487	630	705	260	220	295
RSBY-3	REN0031	12	527	650	725	300	230	325
RSBY-5.5	REN0032	16	581	740	815	350	260	385



Curbe de performanta

