



MIO /ARTE /RING/ TREND

MIO 100/ 120/ 150 (LL-SW/ LL-TW/ SW/ TS/ TW/ HW/ MW/ LL-SC/ SC/ TC/ HC/ MC)

ARTE 100/ 120/ 150 (SW/ TW/ HW/ SS/ MW/ SC/ TC/ HC/ MC)

RING 100/ 120/ 150 (SW/ TW/ HW/ MW/ SC/ TC/ HC/ MC)

TREND 100/ 120/ 150 (SWG/ TWG/ SWM/ TWM/ HWM/ HWG/ SS/ TS)

Wall Fan

Ventilator Axial de Perete

Wand Axialventilator

Ventilador Axial Muro

Aspiratore Elicoidale da Parete

Ventilateur Hélicoïde Murale

Instruction manual EN RO GE SP IT FR

EN: CONTENT

1.	PRECAUTIONS	4
2.	MODELS	8
3.	INSTALLATION INSTRUCTIONS	10
4.	ELECTRIC CONNECTION	13
5.	MAINTENANCE & SERVICE	16

Declaration of conformity

Manufacturer:

Intax Trading SRL - 14B Ion Creanga Str., 075100, Otopeni, Ilfov, Romania



This product complies with the following European directives:

2014/30/EU

(EMV)

2014/35/EU

(LVD)

2011/65/EU (RoHS)

Please read this manual carefully to operate this fan

PRECAUTIONS

1. Remove packing and make sure that the appliance is undamaged. In case of doubt do not operate the appliance and contact our service center.
2. This appliance must only be used for the purpose it was built for, i. e. air exhaustion for domestic and similar purposes.
3. It should be installed on the wall, window or ceiling. The installation of the fan should be made with the plug and screws supplied with the set. The outlet must be done to the airing room or the existing common system for airing in the building. Installation shall be done under supervision of an authorized contractor.
4. Before carrying out any cleaning or maintenance disconnect the mains electrical supply to the fan by means of a double pole switch or remove the plug.
5. In case of break-down or faulty operation, switch off and do not tamper with the appliance. If repairs are

necessary, contact only technical service center approved by the manufacturer and ask for original spares. No observance of the above could put the safety of the appliance at risk.

6. When the appliance is out of use, remove the power lead. Moreover, make potentially dangerous parts harmless, especially with regard to children who might play with the appliance when it is not in use.

7. Max. room temperature 40°C.

8. Appliance must be installed at mt. 2,3 minimum.

9. Once installed the (M) will start up as soon as it detects the presence of humans at a maximum distance of 5 metres, and will stop after a certain time if it can no longer detect the presence of humans. The extractor can be adjusted from 1 min to 15 mins. by turning the button of the electronic circuit clockwise.



WARNING: This symbol indicates precautions that must be taken to avoid injury

* Do not use this appliance for functions other than those described in this instruction booklet.

* After removing the appliance from its packaging, ensure that it is complete and undamaged. If in doubt, contact a professionally qualified electrician. Do not leave packaging within the reach of children or infirm persons.

* Certain fundamental rules must be observed when using any electrical appliance:

- a) never touch appliances with wet or damp hands;
- b) never touch appliances while barefoot.

* This appliance is not suitable for use by children or by individuals with reduced physical, sensorial or mental capacities, or by inexperienced or untrained individuals, unless they are supervised or instructed in its use by a person responsible for their safety. Children must always be supervised to ensure that they do not play with the appliance.

- * Store the appliance out of the reach of children and infirm persons if you decide to disconnect it from the power supply and no longer use it.
- * Do not operate the appliance in the presence of inflammable vapors (alcohol, insecticides, petrol, etc.).



CAUTION:

this symbol indicates precautions that must be taken to avoid damaging the appliance .

- * Do not make modifications of any kind to this appliance .
- * Do not expose this appliance to the weather (rain, sun, etc.)
- * Regularly inspect the appliance for visible defects. If any faults are found, do not operate the appliance. If the appliance does not function correctly or develops a fault, contact us immediately and ensure that only original spares are used for any repairs.
- * Should the appliance be dropped or suffer a heavy blow, have it checked immediately.
- * The appliance must be installed by a professionally qualified electrician.
- * The electrical system to which the appliance is connected must conform to applicable standards.
- * The appliance is double insulated and therefore does not need to be earthed.
- * Do not operate the fan with a damaged cord or plug, after a malfunction or if there is dropped or damaged in any manner.
- * The electrical power supply/socket to which the appliance is to be connected must be able to provide the maximum electrical power required by the appliance. Otherwise contact an electrician to make the necessary modifications before proceeding.
- * A multi-polar switch must be used to install the appliance.

The gap between the switch contacts must be no less than 3 mm.

* Switch off the appliance at the installations main switch:

a) if the appliance does not function correctly;

b) before cleaning the outside of the appliance ;

c) if the appliance is not to be used for any length of time.

* The room must have an adequate source of replacement air for this appliance to function effectively. Moreover, if there is any non- sealed combustion based appliance such as a water heater, gas stove, etc. in the same room, air replacement must be sufficient for all appliances to work effectively together.

* The appliance must either exhaust directly to the outside or into a short duct (max 400 mm in length to ensure certified performance). Efficiency losses will occur if the appliance is installed in ducting subject to any appreciable back pressure.

* The appliance cannot be used to control activation of water heaters, room heaters, etc. nor must it be connected to the hot air ducts used by other appliances.

* The air to be extracted from the room must be clean (i.e. free of grease, soot, chemical and corrosive agents, and explosive or fam- mable mixtures) and must not exceed a temperature of 40°C.

* Keep the appliances inlet and outlet grilles free to ensure an optimum flow of air.

* Install the appliance so that the impeller is inaccessible from the air- outlet side as verified by contact with the Test Finger, in compliance with the current safety regulations. If this is not possible, the relevant protection accessory must be installed.

* Model (H): do not cover or obstruct the humidity sensor grille.

* Model(M): do not cover the lens of the presence sensor.

NOTICE (For Fan with front shutter items)

1. The shutter operationed by Electric-Thermo Switch automatic open and close .
2. Don 't push the Fan shutter by hand or else tooling.

3. The shutter will be opened after 40 second when the Fan on.
4. The shutter will be closed after 40 second when the Fan off.

MODELS

A. (S) Standard Model

This model is operated by switching it on by means of the power switch.

B. (T) Timer Model

This model is equipped with a timer which allow the fans to run on after the switch has been turned off factory -set for a minimum operating time of 3 minutes. The timer can be adjust to settings between approx. 1 and 25 minutes by means of the timer.

C. (H) Humidity Model

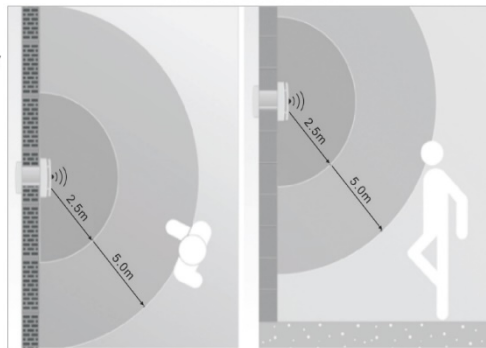
This model has a preset humidity sensing circuit that switches it on when the relative humidity exceeds 40% to 100%. The circuit is also equipped with a timer that can be adjusted to settings between approx. 1 and 25 minutes by means of the timer.

D. (M) Motion Model

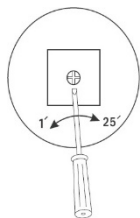
The product is equipped with an electronic circuit with a sensor (PIR) which brings the unit into operation when it detects the presence of a person within its range of action (Presence distance from 1-5m).

This model is equipped with timer factory- set for a minimum operating time of 3 minutes. The timer can be adjust to settings between approx. 1 and 25 minutes by means of the timer.

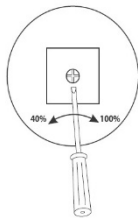
Presence detection area



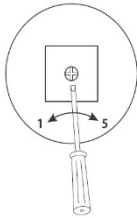
Adjusting the timer



Adjusting the humidity sensor



Adjusting the presence sensor



INSTALLATION INSTRUCTIONS

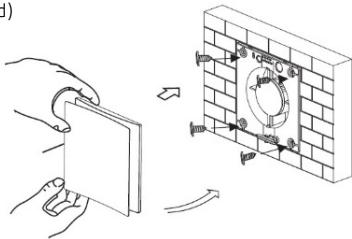
Caution: make sure power is switched off at service panel before starting installation.

note :the location of installation must be near a socket outlet. a licensed electrician will be required to install the socket outlet.

WALL INSTALLATION

1. Ensure to choose right voltage shown in the label before connecting with power source.
2. Cut an appropriate size hole in the wall, ensure there are no cables or pipes buried in the wall when cutting. The internal and external wall flush, allow the ducting to slope slightly to the external wall, this will allow drainage of any ingress from rain.
3. Remove the front cover of fan and position the fans against the wall and mark the four fixing points and cable entry, then to drill to suit.
4. Bring the cable to the unit via a double pole switch with a minimum 3mm separate on all poles.
5. Bring the main cable through the cable entry and fix the fan body into position.
6. Fix the front cover and external shutter (External shutter not supplied)

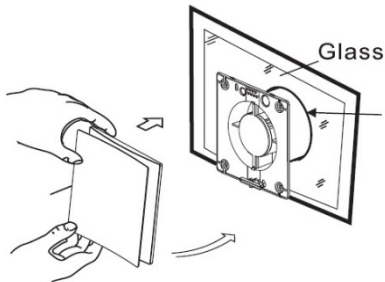
Note: picture for illustration only and may not represent the actual product.



GLASS-WINDOW INSTALLATION

1. Before commencing any cutting, check in the windows that there is no obstruction such as windows frames, or joints and that there is sufficient tight clearance for the housing.
2. Position the fan against the window glass and mark then to cut to suit.
3. Bring the cable to the unit via a double pole switch with a minimum 3mm separate on all poles.
4. Use the glass glue to fix the fan body and let the glass glue dry 3 minutes, then the fan will be firmly mounted in glass

Note: picture for illustration only and may not represent the actual product.



Put the glue on the hole edge, then fix the fan body in glass.

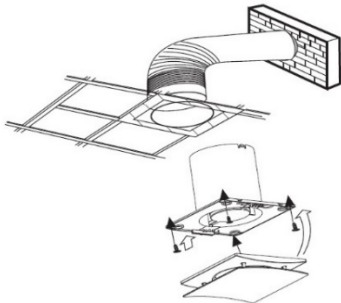
CEILING INSTALLATION

1. Position a suitable location for the fan and cut a flush hole in ceiling to size.
2. Remove the front cover of fan, bring the cable to the unit via a double pole switch with a minimum 3mm separate on all poles.
3. Pass the main cable through the cable entry and fix the unit into position using suitable fixings (the fixings not supplied).
4. Ceiling mounted units must be ventilated to the outside and not into the ceiling to avoid or loft space, using a flexible duct and a back draught shutter to suit.

NOTE: Where ducting (not included) is used, ensure the outlet ducted in such that to avoid the back-flow of gases into the room from the open flue of gas or other fuel-burning appliances.

NOTE: Ceiling exhaust fan units must be ventilated to the outside and not into the ceilingcavity. Use a duct and back draught shutter to suit (not included).

Note: picture for illustration only and may not represent the actual product.



WIRING

1. The fans are double insulated and do not need earth wire.
2. For partition fans, precautions must be taken to avoid any back-flow of gases into the room from open flue gas fire or other appliances.
3. L – connecting to thr Live.
 - N – connecting tot the Neutral
 - T – connecting the light live or switched live (for Timer and Hygro units)

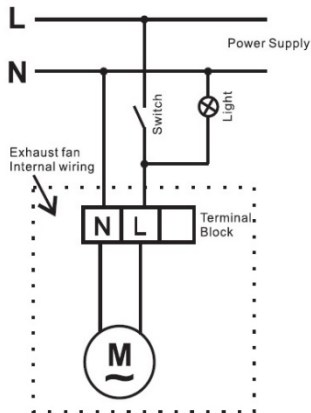
ELECTRIC CONNECTION

The(M) must be connected to a monophase network with the tension and Frequency shown on the notice plate of the fan.The switch connec-tors are situated on the fxing base of the fan.In order to ensure the IP level against water splash use the appropriate cable junction supplied when placing the connection cable.The fan should be connected, in a permanent way to a fixed duct through a double wire with a minimum section of 1 mm² for fixed installation. It does not need ground connection as it is a fan with double insulation.(class II)

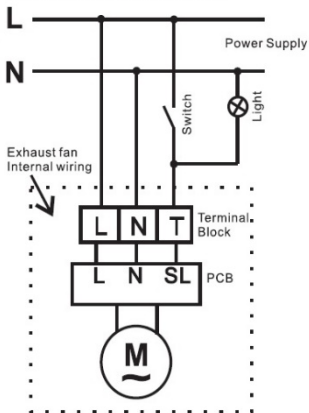
WIRING DIAGRAM

A). WITH LIGHT

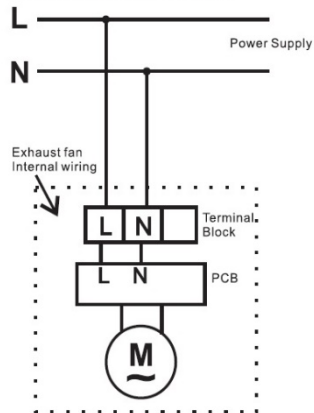
STANDARD WIRING CONNECTION



TIMER or HUMIDITY WIRING CONNECTION

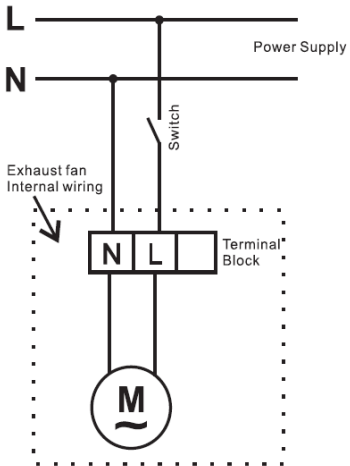


INFRA-RED SENSOR WIRING CONNECTION

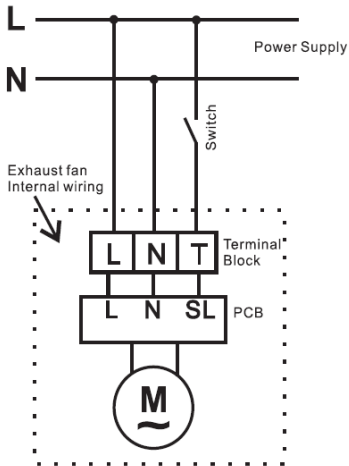


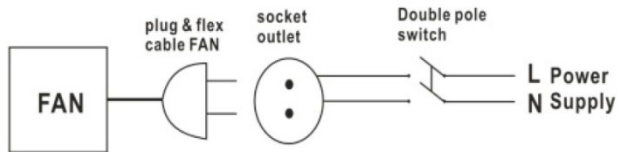
B). WITHOUT LIGHT

STANDARD WIRING CONNECTION



TIMER or HUMIDITY WIRING CONNECTION

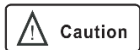




MAINTENANCE & SERVICE

Before carrying out any maintenance, ensure the power is switched OFF from the mains power supply.

1. Wipe down the fascia and grilles with a wet soapy cloth only. Do not allow water to contact electrical part, such as motor.
2. Never use petrol, benzene, thinner or any other such chemicals for cleaning the ventilating fan.
3. Do not immerse resin parts into hot water over 60°C.
4. Do not place hot objects near or install nearby hot appliances



This appliance is not intended for use by persons (including children) with reduced physical, sensory or mental capabilities, or lack of experience and knowledge, unless they have been given supervision or instruction concerning use of the appliance by a person responsible for their safety.

If the supply cord is damaged, it must be replaced by the manufacturer, its service agent or similarly qualified persons in order to avoid a hazard.

RO: CUPRINS

1.	MĂSURI DE PRECAUȚIE	18
2.	MODELE	22
3.	INSTRUCȚIUNI DE INSTALARE	24
4.	CONEXIUNEA ELECTRICA	29
5.	INTRETINERE ȘI SERVICE	31

Declaratie de Conformitate

Producător:

Intax Trading SRL - Str. Ion Creanga 14B, Otopeni, 075100, Ilfov, Romania



Acest produs respecta următoarele directive europene:

2014/30/EU (EMV)

2014/35/EU (LVD)

2011/65/EU (RoHS)

Cititi cu atenție acest manual pentru a putea opera acest ventilator.

MĂSURI DE PRECAUȚIE

1. Scoateți ambalajul și asigurați-va că aparatul nu este deteriorat. In cazul in care aveți indoieli, nu folosiți aparatul și contactați centrul nostru de service.
2. Acest aparat trebuie utilizat numai in scopul pentru care a fast construit, de ex. pentru evacuarea aerului și in alte scopuri casnice și similare.
3. Instalare - trebuie montat pe perete, pe fereastra sau pe tavan. Instalarea ventilatorului trebuie facuta cu ștecherul și șuruburile livrate impreuna cu setul. Evacuarea trebuie facuta in camera de aerisire sau in sistemul comun existent pentru aerisirea in cladire. Instalarea se va face sub supravegherea unui instalator autorizat.
4. Inainte de a efectua orice curățare sau intreținere , deconectați sursa de alimentare a ventilatorului de la rețea cu

ajutorul unui intrerupator cu doi poli sau scoateți ștecherul.

5. In caz de defecțiune sau de funcționare defectuoasa, opriți aparatul și nu ii atingeți.

Daca sunt necesare reparații, contactați numai centrul de service tehnic autorizat de producator și solicitați piese de schimb originale. Nerespectarea celor de mai sus ar putea pune in pericol siguranța aparatului.

6. Cand aparatul nu funcționeaza, scoateți cablul de alimentare. Mai mull decal atat, faceți ca piesele cu potențial periculos sa devina inofensive, in special in ceea ce privește copiii care s-ar putea juca cu aparatul atunci cand nu este utilizat.

7. Temperatura max. a camerei este de 40 ° C.

8. Aparatul trebuie instalat la mt. 2,3 minim.

9. Dupa instalare, dispozitivul (M) va porni imediat ce detecteaza prezența oamenilor la o distanța de maxim 5 metri și se va opri dupa un anumit timp , daca nu mai poate detecta prezența oamenilor. Extractorul poate fi ajustat de la 1 min la 15 min. prin rotirea butonului circuitului electronic in sensul acelor de ceasornic.



AVERTISMENT:

Acest simbol indica masurile de precautie care trebuie luate pentru a evita ranirea.

- Nu utilizați acest aparat in alte scopuri decal cele descrise in aceasta broșura de instrucțiuni.
- Dupa scoaterea aparatului din ambalaj , asigurați-va ca este complet și nu este deteriorat. Daca aveți indoieli , contactați un electrician calificat profesional. Nu lasați ambalajele in zona in care pot ajunge copiii sau persoanele cu dizabilitați.
- Trebuie sa respectați anumite reguli fundamentale atunci cand utilizați orice aparat electric:
a) Nu atingeți niciodata aparatele cu maini ude sau umede;

- b) Nu atingeți niciodată aparatele atâta timp cât sunteți în picioarele goale.
- Acest aparat nu este recomandat pentru a fi utilizat de copii sau de persoane cu capacități fizice, senzoriale sau mentale reduse, sau de persoane neexperimentate sau neinstruite, cu excepția cazului în care sunt supravegheate sau instruite de o persoană responsabilă pentru siguranța lor. Copiii trebuie să fie întotdeauna supravegheați pentru a se asigura că nu se joacă cu aparatul.
 - Nu depozitați aparatul la îndemâna copiilor și a persoanelor cu dizabilități dacă decideți să-l deconectați de la sursa de alimentare și să nu îl mai folosiți.
 - Nu folosiți aparatul în prezența vaporilor inflamabili (alcool, insecticid, benzina, etc.).
 - Luați toate măsurile de precauție necesare pentru a vă asigura că nu există infiltrări de gaz în spațiile în care se află aparatele cu combustie.



ATENȚIE: acest simbol indică măsurile de precauție care trebuie luate pentru a evita deteriorarea aparatului.

- Nu efectuați modificări de niciun fel la acest aparat.
- Nu expuneți aparatul la intemperii (ploaie, soare etc.)
- Inspectați regulat aparatul pentru a vedea dacă prezintă defecțiuni vizibile. Dacă găsiți defecțiuni, nu utilizați aparatul.
- Dacă aparatul nu funcționează corect sau dezvoltă o defecțiune, contactați-ne imediat și asigurați-vă că au fost folosite numai piese de schimb originale pentru reparații.
- Dacă aparatul este aruncat sau a suferit o lovitură puternică, verificați-l imediat.
- Aparatul trebuie să fie instalat de către un electrician profesionist calificat.
- Sistemul electric la care este conectat aparatul trebuie să respecte standardele aplicabile.
- Aparatul este dublu izolat și, prin urmare, nu trebuie să fie împământat.

- Nu acționați ventilatorul dacă un cablu sau ștecherul sunt deteriorate, după a funcționare defectuoasă sau dacă a cazut sau a fast deteriorat in orice mod.
- Sursa de alimentare electrica / priza la care aparatul trebuie sa fie conectat trebuie sa poata furniza puterea electrica maxima ceruta de aparat. in caz contrar, contactați un electrician pentru a efectua modificarile necesare inainte de a continua.
- Pentru a instala aparatul trebuie utilizat un comutator multi-polar. Distanța dintre contactele comutatorului trebuie sa fie de eel puțin 3 mm.
- Opriți aparatul de la intrerupatorul principal al instalației:
 - a) dacă aparatul nu funcționează corect;
 - b) înainte de a curăța exteriorul aparatului;
 - c) dacă aparatul nu va fi folosit pentru a perioada lunga de timp.
- Incaperea trebuie sa aiba a sursa adecvata de inlocuire a aerului pentru ca acest aparat sa funcționeze eficient. In plus, in cazul in care exista un aparat pe baza de combustie neetanșat, cum ar fi un incalzitor de apa, o soba cu gaz etc. in aceeași incapere , inlocuirea aerului trebuie sa fie suficienta pentru ca toate aparatele sa funcționeze eficient impreuna .
- Aparatul trebuie sa evacueze direct spre exterior, fie printr-o conducta scurta (lungime maxima de 400 mm pentru a asigura performanța certificata). dacă aparatul este instalat in conducte supuse unei eventuale contrapresiuni apreciabile se vor produce pierderi semnificative.
- Aparatul nu poate fi folosit pentru a controla activarea incalzitoarelor de apa, incalzitoarelor de camera etc. și nici nu trebuie sa fie conectat la conductele de aer cald utilizate de alte aparate.
- Aerul care trebuie extras din incapere trebuie sa fie curat (de ex. fara grasimi, funingine, agenți chimici și corozivi și amestecuri explozive sau inflamabile) și nu trebuie sa depășească o temperatura de 40 ° C.
- Pastrați grilele de admisie și evacuare a aparatelor libere pentru a asigura un nivel optim de aer.
- Instalați aparatul astfel incat rotorul sa fie inaccesibil din partea de evacuare a aerului, verificat prin testarea cu degetul, in conformitate cu reglementarile actuale privind siguranța. Dacă acest lucru nu este

posibil, trebuie instalat accesoriul de protecție relevant.

- Model (H): nu acoperiți sau obstrucționați grila senzorului de umiditate.
- Model(M): nu acoperiți obiectivul senzorului de mișcare.

NOTĂ (pentru ventilatoare cu elemente de declanșare in partea din față)

- Declanșatorul acționat de intrerupatorul termo-electric se deschide și se inchide automat.
- Nu impingeți obturatorul ventilatorului cu mana sau cu altceva.
- Obturatorul va fi deschis dupa 40 de secunde atunci cand ventilatorul este pornit.
- Obturatorul va fi inchis dupa 40 de secunde atunci cand ventilatorul este oprit.

MODELE

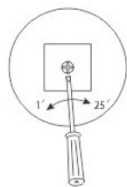
A. (S) Model Standard - Acest model este operat prin pornirea acestuia cu ajutorul comutatorului de alimentare.

B. (T) Model Temporizator - Acest model este echipat cu un temporizator care permite ventilatoarelor sa funcționeze dupa ce temporizatorul a fost oprit sau setat sa funcționeze limp de minim 3 minute. Temporizatorul poate fi ajustat la setari intre aprox. 1 și 25 minute prin intermediul temporizatorului .

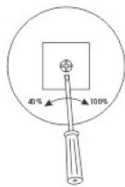
C. (H) Model cu Umiditate - Acest model are un circuit presetat de detectare a umidității care ii pornește când umiditatea relativă depășește 40% pana la 100%. Circuitul este, de asemenea, echipat cu un temporizator care poate fi ajustat la setari intre aprox. 1 și 25 minute prin intermediul temporizatorului.

D. (M) Model cu Detectare a Mișcării - Produsul este echipat cu un circuit electronic cu senzor (PIR) care pune aparatul in funcțiune atunci cand detecteaza prezeța unei persoane in raza sa de acțiune (distanța de prezența de la 1-5m). Acesă model este echipat cu temporizator setat din fabrica pentru o funcționare de minim 3 minute. Timpul poate fi reglat intre setari de aprox. 1 și 15 minute prin intermediul temporizatorului.

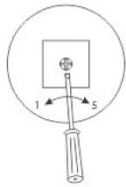
Setarea
Timer-ului



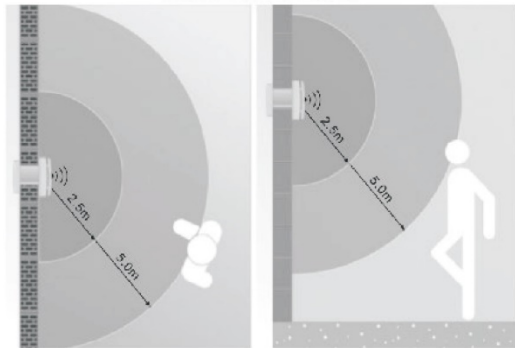
Setarea senzorului
de umiditate



Setarea senzorului
de prezenta



Suprafata de detectare a prezentei



INSTRUCȚIUNI DE INSTALARE

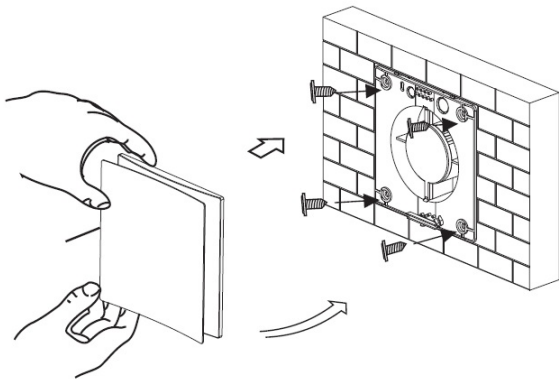
ATENȚIE: ASIGURAȚI-VA CA ALIMENTAREA ESTE OPRITALA PANOUL DE SERVICE ÎNAINTE DE ÎNȚIEREA INSTALĂRII.

NOTA: LOCATIA DE INSTALARE TREBUIE SA FIE LANGA O SURSA DE ALIMENTARE. ESTE NECESAR UN ELECTRICIAN CU LICENTA PENTRU A INSTALA ORIFICIUL PRIZEI.

INSTALAREA PE PERETE

1. Asigurați-va ca ați ales tensiunea corectă afișată pe eticheta înainte de conectarea la sursa de alimentare.
2. Taiati un orificiu cu o dimensiune adecvată în perete, asigurați-va ca nu există cabluri sau țevi arse în perete atunci când tăiați. Decupajul din interiorul peretelui, permite ca, conducta să se incline ușor spre pereții exteriori, aceasta vă permite scurgerea apei provenite din ploaie.
3. Scoateți capacul frontal al ventilatorului și poziționați ventilatoarele pe perete și marcați cele patru puncte de fixare și intrarea cablului, apoi forțați-1 astfel încât să se potrivească.
4. Aduceți cablul la unitate printr-un întrerupător cu doi poli cu o distanță de minim 3mm între poli.
5. Aduceți cablul principal prin intrarea cablului și fixați corpul ventilatorului în poziție.
6. Fixați capacul frontal și obturatorul extern (declanșatorul extern nu este furnizat).

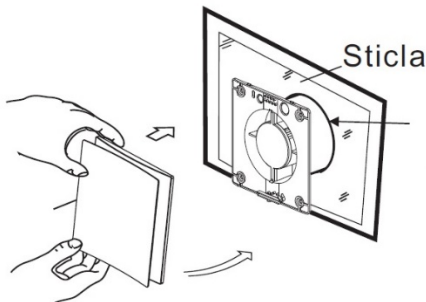
**Nota: imaginea este o
ilustratie ce nu
reprezinta modelul de
fata.**



INSTALAREA PE O FEREASTRĂ DE STICLA

1. Înainte de începerea oricărei tăieri, verificați ca în ferestre să nu existe obstrucții cum ar fi ramele ferestrelor sau îmbinările și să existe suficient spațiu liber pentru carcasa.
2. Poziționați ventilatorul pe geamul ferestrei, marcați-l, apoi decupați.
3. Aduceți cablul la unitate printr-un comutator cu doi poli cu o distanță minimă de 3 mm între toți polii.
4. Utilizați adeziv de sticlă pentru a fixa corpul ventilatorului și lăsați adezivul de sticlă să se usuce 3 minute, apoi ventilatorul va fi fixat ferm în sticlă.

**Nota: imaginea este o
ilustrație ce nu
reprezintă modelul de
fata.**



**Se pune adeziv pe întreaga
margine, apoi se fixează corpul
ventilatorului în sticlă**

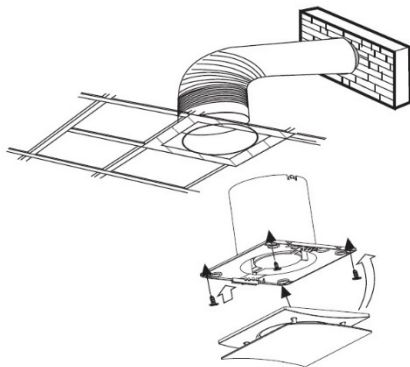
INSTALAREA PE TAVAN

1. Stabiliți o locație potrivita pentru ventilator și tăiați un orificiu in tavan de dimensiune potrivita.
2. Scoateți capacul din fața al ventilatorului, aduceți cablul la unitate printr-un comutator cu doi poli cu o distanța minima de 3 mm între toți polii.
3. Introduceți cablul principal prin intrarea cablului și fixați unitatea in poziție folosind dispozitive de fixare adecvate (dispozitivele de fixare nu sunt furnizate).
4. Aparatele montate pe tavan trebuie sa ventileze in exterior și nu in tavan pentru a evita reducerea spațiului, folosind o conducta flexibila și un declanșator cu tiraj in spate care sa se potriveasca.

NOTĂ: In cazul in care se utilizeaza conducta (nu este inclusa), asigurați-va ca aceasta este golita astfel incat sa se evite infiltrarea fluxului de gaze inapoi in camera de la aparatele cu ardere de gaze sau aparatele cu ardere de combustibil.

NOTĂ: Unilațiile ventilatoarelor de evacuare din tavan trebuie sa ventileze in exterior și nu in cavitatea plafonului. Utilizați o conducta și un declanșator cu tiraj in spate care sa se potriveasca (nu este inclus).

**Nota: imaginea este o
ilustratie ce nu
reprezinta modelul de
fata.**



CABLAJUL

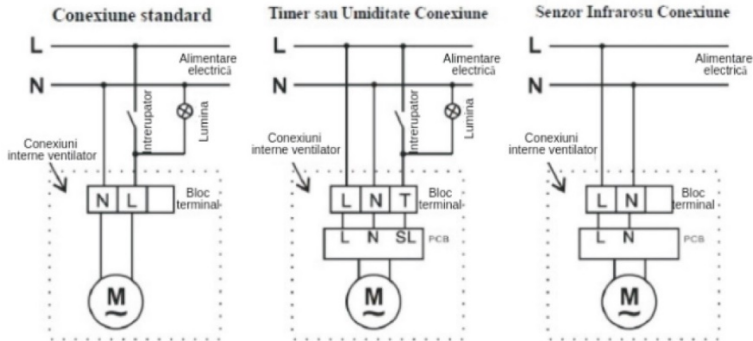
1. Ventilatoarele sunt dublu izolate și nu au nevoie de cablaj de împământare.
2. Pentru ventilatoarele de compartimentare, trebuie luate măsuri de precauție pentru evitarea infiltrării gazelor în capere, datorită aparatelor cu gaze reziduale deschise sau a altor aparate.
3. L---conectarea la tensiune
N---conectarea la neutru.

T---conectarea la tensiune slaba sau comutare la tensiune (pentru unitațile temporizatorului și Hygro)

CONEXIUNEA ELECTRICA

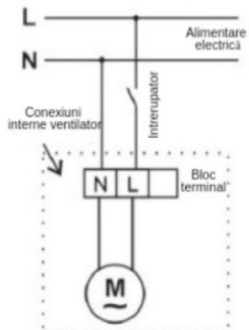
(M) trebuie sa fie conectat la o rețea monofazata cu tensiunea și frecvența afișate pe placuța de identificare a ventilatorului. Conectorii de comutare sunt situați la baza de fixare a ventilatorului. Pentru a asigura nivelul IP impotriva stropilor de apa, utilizați joncțiunea adecvata de cablu furnizata la introducerea cablului de conectare. Ventilatorul trebuie sa fie conectat permanent la o conducta fixa printr-un cablu dublu cu o secțiune minima de 1 mm² pentru o instalare fixa. Nu are nevoie de conexiune la sol deoarece este un ventilator cu izolație dubla (clasa II).

A) Cu Lumina

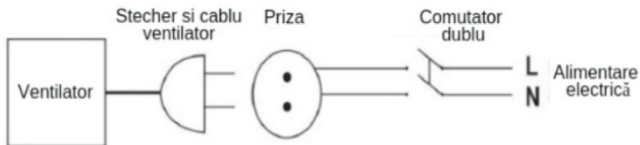
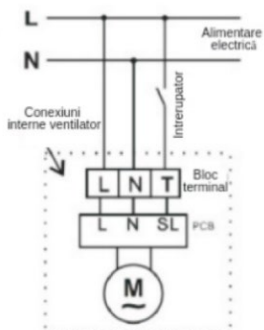


B). Fara Lumina

Conexiune standard



Timer sau Umiditate Conexiune



INTRETINERE ȘI SERVICE

Înainte de efectuarea oricăror lucrări de întreținere, asigurați-vă că alimentarea cu energie electrică este deconectată de la rețeaua de alimentare.

1. Stergeți fascia și grilele numai cu o carpa umedă cu săpun. Nu lăsați apa să intre în contact cu piesele electrice, cum ar fi motorul.
2. Nu utilizați niciodată benzina, benzen, diluant sau alte astfel de substanțe chimice pentru curățarea ventilatorului.
3. Nu scufundați piesele de rășină în apa fierbinte peste 60 ° C.
4. Nu amplasați obiecte fierbinți în apropiere sau nu instalați aparatele fierbinți în apropiere.



Acest aparat nu este destinat utilizării de către persoane (inclusiv copii) cu capacități fizice, senzoriale sau mentale reduse, sau lipsa de experiență și de cunoștințe, dacă nu au fost supravegheați sau instruiți cu privire la utilizarea aparatului de către o persoană responsabilă de siguranța lor. Dacă cablul de alimentare este deteriorat, acesta trebuie înlocuit de producător, de agentului sau de service sau de persoane calificate în mod similar pentru a evita un pericol.

GE: INHALT

1.	VORSICHTSMAßNAHMEN	4
2.	MODELLE	5
3.	EINBAUANLEITUNG	6
4.	ELEKTRISCHER ANSCHLUSS	8
5.	WARTUNG & SERVICE	10

KONFORMITÄTSERKÄRUNG

Hersteller:

Intax Trading SRL - Ion Creanga 14B, 075100, Otopeni, Ilfov, Romania.

Dieses Produkt entspricht den folgenden Europäischen

Richtlinien:



2014/30/EU (EMV)

2014/ 35/ EU (LVD)

2011/65/EU (RoHS)

VORSICHTSMAßNAHMEN

Bitte lesen Sie dieses Handbuch sorgfältig durch, um diesen Lüfter zu betreiben

Vorsichtsmaßnahmen

1. Verpackung entfernen und sicherstellen, dass das Gerät unbeschädigt ist. Im Zweifelsfall das Gerät nicht betreiben und an unser Service Center wenden.
2. Dieses Gerät darf nur für den Zweck für den es gebaut wurde, verwendet werden, dh Luftabsaugung für häusliche und ähnliche Zwecke
3. INSTALLATION - Es soll an der Wand, am Fenster oder an der Decke installiert werden. Die Montage des Lüfters sollte mit den mitgelieferten Steckern und Schrauben erfolgen. Der Auslass muss zum Lüftungsraum oder zum vorhandenen gemeinsamen Lüftungssystem des Gebäudes erfolgen. Die Installation muss unter Aufsicht eines

autorisierten Auftragnehmers erfolgen.

4. Vor jeder Reinigung oder Wartung, die Stromversorgung des Lüfters mit einem zweipoligen Schalter unterbrechen oder den Stecker abziehen

5. Schalten Sie das Gerät im Falle eines Defekts oder einer Fehlfunktion aus und das Gerät nicht manipulieren. Wenn Reparaturen erforderlich sind, wenden Sie sich an das vom Hersteller zugelassene technische Servicecenter und fragen Sie nach Originalersatzteilen. Bei Nichtbeachtung der obigen Hinweise kann die Sicherheit des Geräts gefährdet werden.

6. Wenn das Gerät nicht benutzt wird, entfernen Sie das Stromkabel. Machen Sie außerdem potenziell gefährliche Teile unschädlich, insbesondere im Hinblick auf Kinder, die bei Nichtgebrauch mit dem Gerät spielen können.

7. Max. Raumtemperatur 40°C

8. Das Gerät muss mindestens 2,3 mt installiert werden.

9. Einmal installiert, startet das (M) sobald es die Anwesenheit von Menschen in einer maximalen Entfernung von 5 Metern erkennt, und es wird nach einer bestimmten Zeit stoppen, wenn es die Anwesenheit von Menschen nicht mehr erkennt. Der Extraktor kann, durch Drehen des Knopfes der elektronischen Schaltung im Uhrzeigersinn, zwischen 1 Minute und 15 Minuten eingestellt werden.



WARNUNG: Dieses Symbol weist auf Vorsichtsmaßnahmen hin, die zur Vermeidung von getroffen werden müssen

- Dieses Gerät nicht für andere als die in dieser Bedienungsanleitung beschriebenen Funktionen verwenden
- Nachdem das Gerät aus der Verpackung genommen wird, sicherstellen, dass es vollständig und unbeschädigt ist. Im Zweifelsfall an einen fachlich qualifizierten Elektriker wenden. Keine Verpackungen in Reichweite von Kindern oder behinderten Personen lassen.

- Bei der Verwendung von Elektrogeräten müssen bestimmte Grundregeln beachtet werden: a) Geräte niemals mit nassen oder feuchten Händen berühren; b) Geräte niemals barfuß berühren.
- Dieses Gerät ist nicht für die Verwendung durch Kinder oder Personen mit eingeschränkter körperlicher, sensorischer oder geistiger Leistungsfähigkeit oder für unerfahrene oder nicht geschulte Personen geeignet, es sei denn, sie werden von einer für ihre Sicherheit verantwortlichen Person beaufsichtigt. Kinder müssen immer beaufsichtigt werden, um sicherzustellen, dass sie mit dem Gerät nicht herumspielen.
- Bewahren Sie das Gerät außerhalb der Reichweite von Kindern und behinderten Personen auf, wenn Sie das Gerät von der Stromversorgung trennen und nicht mehr verwenden.
- Betreiben Sie das Gerät nicht in der Nähe von brennbaren Dämpfen (Alkohol, Insektiziden, Benzin usw.).
- Treffen Sie alle erforderlichen Vorkehrungen, um sicherzustellen, dass kein Gas von offenen Verbrennungsgeräten in den Raum strömt



ACHTUNG: Dieses Symbol weist auf Vorsichtsmaßnahmen hin, die getroffen werden müssen, um Schäden am Gerät zu vermeiden.

- Keine Änderungen an diesem Gerät vornehmen
- Dieses Gerät nicht dem Wetter (Regen, Sonne usw.) aussetzen.
- Überprüfen Sie das Gerät regelmäßig auf sichtbare Mängel. Wenn irgendwelche Fehler gefunden werden, darf das Gerät nicht betrieben werden.
- Wenn das Gerät nicht ordnungsgemäß funktioniert oder eine Störung auftritt, wenden Sie sich sofort an uns und sicherstellen, dass nur Originalersatzteile für Reparaturen verwendet werden.
- Sollte das Gerät herunterfallen oder einen schweren Schlag erfahren, lassen Sie es sofort überprüfen.
- Das Gerät muss von einem qualifizierten Elektriker installiert werden.
- Die elektrische Anlage, an die das Gerät angeschlossen ist, muss den geltenden Normen entsprechen.

- Das Gerät ist doppelt isoliert und muss daher nicht geerdet werden.
- Betreiben Sie nicht den Lüfter mit beschädigtem Kabel oder Stecker, nach einer Funktionsstörung oder wenn das Gerät heruntergefallen oder wenn es heruntergefallen ist oder auf irgendeine Weise beschädigt wurde.
- Die Stromversorgung oder die Steckdose, an die das Gerät angeschlossen werden soll, muss die maximale elektrische Leistung bereitstellen, die das Gerät benötigt. Ansonsten wenden Sie sich an einen Elektriker, um die erforderlichen Änderungen vorzunehmen, bevor Sie fortfahren.
- Für die Installation des Geräts muss ein mehrpoliger Schalter verwendet werden. Der Abstand zwischen den Schaltkontakten muss mindestens 3 mm betragen.
- Schalten Sie das Gerät am Hauptschalter der Anlage aus: a) Wenn das Gerät nicht richtig funktioniert; b) bevor Sie das Gerät von außen reinigen; c) wenn das Gerät längere Zeit nicht benutzt wird.
- Der Raum muss über eine ausreichende Ersatzluftquelle verfügen, damit dieses Gerät effektiv funktionieren kann. Wenn sich in einem Raum ein nicht abgedichtetes Verbrennungsgerät wie ein Warmwasserbereiter, ein Gasherd usw. befindet, muss der Luftaustausch ausreichend sein, damit alle Geräte effektiv zusammenarbeiten können.
- Das Gerät muss entweder direkt nach außen oder in einen kurzen Kanal (max. 400 mm Länge) abgelassen werden, um die zertifizierte Leistung sicherzustellen. Effizienzverluste treten auf, wenn das Gerät in einem Kanal installiert wird, der einem merklichen Gegendruck ausgesetzt ist.
- Das Gerät kann nicht zum Steuern der Aktivierung von Warmwasserbereitern, Raumheizungen usw. verwendet werden, noch darf es an die von anderen Geräten verwendeten Heißluftkanäle angeschlossen werden.
- Die Luft, die aus dem Raum abgesaugt werden soll, muss sauber sein (d. H. Frei von Fett, Ruß, chemischen und ätzenden Stoffen sowie explosiven oder entzündbaren Gemischen) und darf eine Temperatur von 40 ° C nicht überschreiten.
- Halten Sie die Einlass- und Auslassgitter der Geräte frei, um einen optimalen Luftstrom zu gewährleisten.
- Installieren Sie das Gerät so, dass das Laufrad von der Luftaustrittsseite aus nicht zugänglich ist, was durch den Kontakt mit dem Testfinger gemäß den aktuellen Sicherheitsvorschriften überprüft wird. Ist dies nicht möglich, muss

das entsprechende Schutzzubehör installiert werden.

- Modell (H): Das Feuchtesensorengitter nicht abdecken oder versperren.
- Modell(M): Das Objektiv des Präsenzsensors nicht abdecken.

HINWEIS (für Lüfter mit Frontverschluß)

1. Der von Electric-Thermo Switch betätigte Verschluss öffnet und schließt sich automatisch
2. Drücken Sie den Lüfterverschluss nicht von Hand oder mit anderen Werkzeugen
3. Der Verschluss wird nach 40 Sekunden geöffnet, wenn der Lüfter eingeschaltet ist
4. Der Verschluss wird nach 40 Sekunden geschlossen, wenn der Lüfter ausgeschaltet ist

MODELLE

A. (S) Standardmodell

Dieses Modell wird durch Einschalten des Netzschalters bedient

B. (T) Timer Model

Dieses Modell ist mit einem Timer ausgestattet, mit der die Lüfter nach dem Ausschalten des Schalters weiterlaufen können. Werkseitig auf eine Mindestbetriebszeit von 3 Minuten eingestellt. Der Timer kann mit dem Timmer auf Einstellungen zwischen ca. 1 und 15 Minuten eingestellt werden.

C. (H) Feuchtigkeitsmodell (Humidity Model)

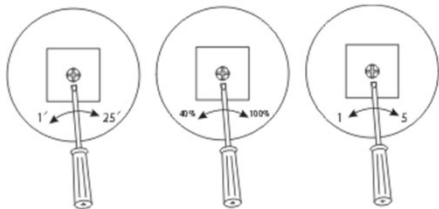
Dieses Modell verfügt über eine voreingestellte Feuchtigkeitsmessschaltung, die es einschaltet, wenn die relative Luftfeuchtigkeit 40% bis 100% übersteigt. Die Schaltung ist auch mit einem Timer ausgestattet, die auf Einstellungen zwischen ca. 1 und 15 Minuten mit dem Timmer eingestellt werden kann.

D. (M) Bewegungsmodell (Motion Model)

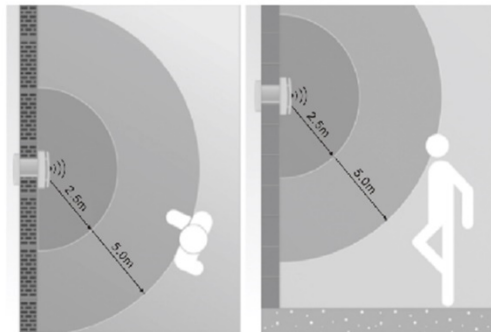
Das Produkt ist mit einer elektronischen Schaltung mit einem Sensor (PIR) ausgestattet, der das Gerät in Betrieb setzt, wenn es die Anwesenheit einer Person in seinem Aktionsbereich erkennt (Präsenzabstand von 1-5 m). Dieses

Modell ist mit einem werkseitig eingestellten Timer für eine Mindestbetriebsdauer von 3 Minuten ausgestattet. Der Timer kann auf Einstellungen zwischen ca. 1 und 15 Minuten mit dem Timer eingestellt werden.

Einstellen des Timers: **Einstellen des Feuchtigkeitssensor** **Einstellen des Bewegungssensors**



Bewegungserkennungsbereich



EINBAUANLEITUNG

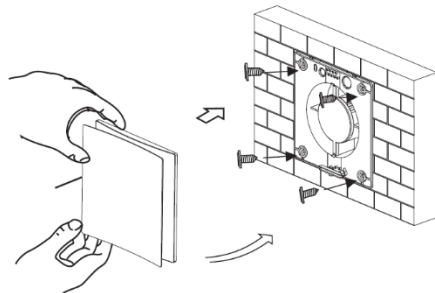
VORSICHT: VOR DER MONTAGE SICHERSTELLEN, DASS DIE STROMVERSORGUNG AM SERVICEPANEL ABGESCHALTET IST

ANMERKUNG: Der Installationsort muss sich in der Nähe einer Steckdose befinden. Für die Installation der Steckdose ist ein zugelassener Elektriker erforderlich

WANDMONTAGE

1. Sicherstellen, dass Sie die richtige auf dem Etikett angegebenen Spannung auswählen, bevor Sie eine Stromquelle anschließen
2. Ein passendes Loch in die Wand schneiden. Sicherstellen, dass beim Schneiden keine verbrannten Kabel oder Rohre in der Wand befinden. Durch die bündige Innen- und Innenwand können die Kanäle leicht zur Außenwand abfallen. Dadurch wird das Eindringen von Regen verhindert.
3. Die vordere Abdeckung des Lüfters abnehmen, positionieren Sie die Lüfter an der Wand und markieren Sie die vier Befestigungspunkte und die Kabeleinführung und dann nach maß bohren.
4. Das Kabel zum Gerät über einen zweipoligen Schalter mit einem Abstand von mindestens 3 mm an allen Polen bringen.
5. Führen Sie das Hauptkabel durch die Kabeleinführung und fixieren Sie den Lüfter in Position.
6. Die vordere Abdeckung und den externen Verschluss befestigen (externer Verschluss nicht mitgeliefert)

Anmerkung: das Bild dient nur zur Illustration und kann nicht das tatsächliche Produkt darstellen

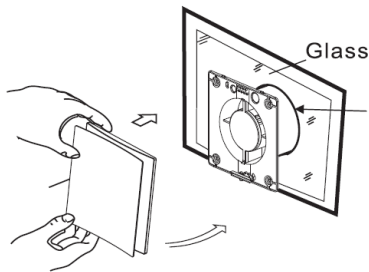


GLASSFENSTER MONTAGE

1. Bevor Sie mit dem Schneiden beginnen, in den Fenstern prüfen, dass keine Hindernisse wie Fensterrahmen oder Fugen vorhanden sind und dass ausreichend Platz für das Gehäuse vorhanden ist.
2. Den Lüfter an der Fensterscheibe Positionieren und markieren, dann nach maß schneiden.

3. Das Kabel zum Gerät über einen zweipoligen Schalter mit einem Abstand von mindestens 3 mm an allen Polen bringen.
4. Verwenden Sie den Glaskleber, um den Lüfter zu fixieren, und den Kleber 3 Minuten trocknen lassen. Der Lüfter wird dann fest im Glas montiert.

Anmerkung: das Bild dient nur zur Illustration und kann nicht das tatsächliche Produkt darstellen



Kleber auf die Lochkante auftragen und den Lüfter in Glas fixieren

WANDMONTAGE

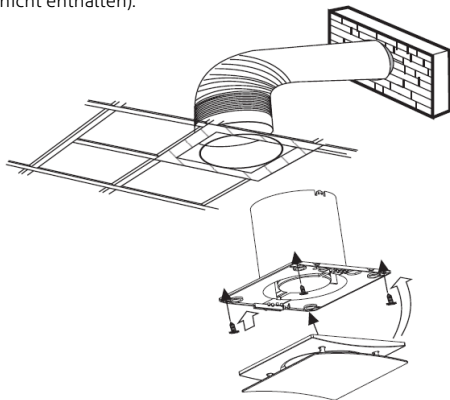
1. Eine geeignete Stelle für den Lüfter festlegen und ein bündiges Loch in der Decke zuschneiden.
2. Die vordere Abdeckung des Lüfters abnehmen, das Kabel zum Gerät über einen zweipoligen Schalter mit einem Abstand von mindestens 3 mm an allen Polen bringen.
3. Hauptkabel durch die Kabeleinführung führen und das Gerät mit geeigneten Befestigungen befestigen (die Befestigungen werden nicht mitgeliefert).
4. Die an der Decke montierten Einheiten müssen nach außen und nicht in die Decke gelüftet werden, um um

Dachboden zu vermeiden, mit einem flexiblen Kanal und einer Zugrückschlagklappe nach Belieben

Anmerkung: Bei Verwendung von Kanälen (nicht im Lieferumfang enthalten) ist sicherzustellen, dass der Auslass so geführt wird, dass der Rückfluss von Gasen aus dem offenen Rauchgasstrom oder anderen brennstoffverbrennenden Geräten in den Raum verhindert wird

Anmerkung: Deckenventilatoren müssen nach außen belüftet werden nicht in den Deckenhohlraum. Verwenden Sie dazu einen Luftkanal und einen Rückluftklappe (nicht enthalten).

Anmerkung: das
Bild dient nur zur
Illustration und
kann nicht das
tatsächliche
Produkt darstellen



VERDRAHTUNG

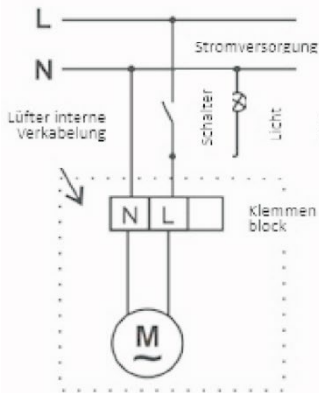
1. Die Lüfter sind doppelt isoliert und benötigen kein Erdungskabel
2. Bei getrennten Lüfter müssen Vorkehrungen getroffen werden, um zu verhindern, dass Gase von offenem Rauchgasfeuer oder anderen Geräten in den Raum zurückströmen.
3. L --- Anschluß an aktiv (stromführend)
 - N --- Anschluß an Null (elektrisch neutral)
 - T --- Anschluß an light live oder live zugeschaltet (für Timer- und Hygro-Einheiten)

ELEKTRISCHER ANSCHLUSS

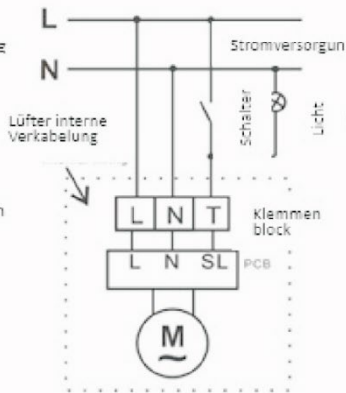
Das (M) muss an ein einphasiges Netzwerk mit der auf dem Hinweisschild des Ventilators angegebenen Spannung und Frequenz angeschlossen werden. Die Schalteranschlüsse befinden sich am Befestigungsfuß des Lüfters. Um das IP-Niveau gegen Spritzwasser zu schützen, verwenden Sie den entsprechenden Kabelanschluß beim Verlegen des Verbindungskabels. Der Lüfter sollte dauerhaft an einen festen Kanal durch eine Doppeldraht mit einem Mindestquerschnitt von 1 mm² für feste Verlegung angeschlossen sein. Der Lüfter benötigt keine Erdverbindung, da es sich um einen Lüfter mit doppelter Isolierung handelt (Klasse II).

A) MIT LICHT

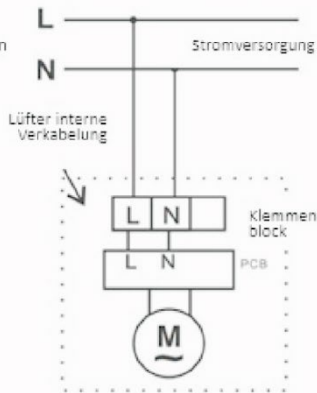
STANDARD VERDRÄHTUNG



TIMER od. FEUCHTIGKEITS VERDRÄHTUNG

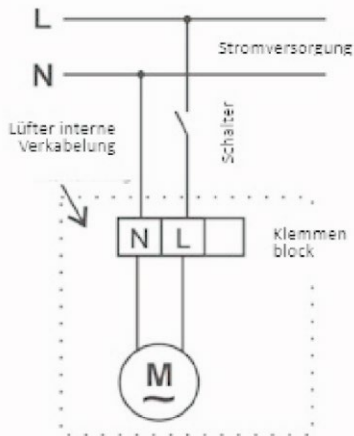


INFRAROTSENSOR VERDRÄHTUNG

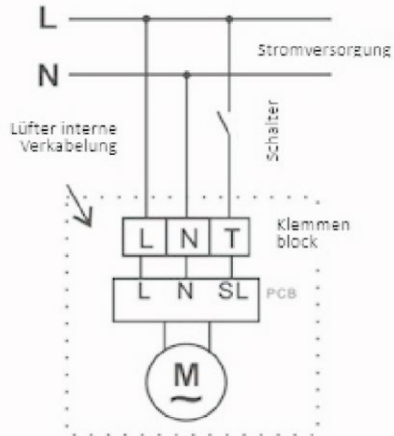


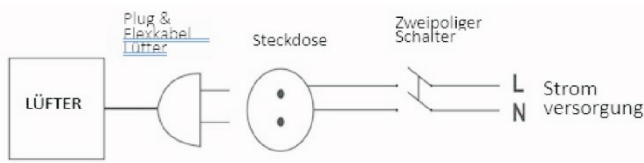
B) OHNE LICHT

STANDARD VERDRAHTUNG



TIMER od. FEUCHTIGKEITS VERDRAHTUNG





WARTUNG & SERVICE

Vor der Durchführung von Wartungsarbeiten sicherstellen, dass die Stromversorgung vom Netz ausgeschaltet ist.

1. Die Frontseite und die Gitter nur mit einem feuchten Seidentuch abwischen. Achten Sie darauf, dass kein Wasser mit elektrischen Teilen wie dem Motor in Berührung kommt.
2. Niemals Benzin, Benzol, Verdünner oder andere derartige Chemikalien zur Reinigung des Ventilators verwenden.
3. Harzteile nicht in über 60°C heißes Wasser tauchen.
4. Keine heißen Gegenstände in der Nähe stellen und nicht in der Nähe von heißen Geräten installieren



Dieses Gerät ist nicht für den Gebrauch durch Personen (einschließlich Kinder) mit eingeschränkten körperlichen, sensorischen oder geistigen Fähigkeiten oder mangelnder Erfahrung und Kenntnisse gedacht, es sei denn, sie wurden von einer für ihre Sicherheit verantwortlichen Person beaufsichtigt oder angewiesen, wie das Gerät benutzt wird. Wenn das Netzkabel beschädigt ist, muss es vom Hersteller, seinem Kundendienst oder ähnlich qualifizierten Personen ausgetauscht werden, um eine Gefahr zu vermeiden.

ES: INDICE

1.	PRECAUCIONES	48
2.	MODELS	52
3.	INSTRUCCIONES DE INSTALACIÓN	54
4.	CONEXIÓN ELÉCTRICA	59
5.	MANTENIMIENTO Y REVISIÓN	61

Declaracion de Conformidad

Productor:

Intax Trading SRL - Calle Ion Creanga 14B, 075100, Otopeni, Ilfov, Romania.



Este producto cumple con las siguientes directivas europeas:

2014 / 30/ EU (EMV)

2014/ 35/ EU (LVD)

2011/ 6 5/ EU (RoHS)

206/ 2012/ EU (ErP)

Leer detenidamente este manual para poder operar este ventilador

Precauciones

1. Retirar el embalaje y asegurarse de que el dispositivo no está dañado. En caso de duda, no utilizar el aparato y ponerse en contacto con nuestro centro de servicio.
2. Este dispositivo debe ser utilizado sólo para el propósito para el que fue construido, por ejemplo ventilación y otros usos domésticos y similares.
3. **INSTALACIÓN** - Se debe montar en la pared, ventana o techo. La instalación del ventilador debe hacerse con el enchufe y los tornillos suministrados con el kit. La salida se debe realizar en la habitación de ventilación o en el sistema común de ventilación del edificio. La instalación será supervisada por un contratista autorizado.

Medidas de precaución

4. Antes de realizar cualquier operación de limpieza o mantenimiento, desconectar la fuente de alimentación a la red por medio de un interruptor de dos polos o desenchufar.

5. En caso de fallo o mal funcionamiento del mismo, apagar el dispositivo y no tocar. Si se necesitan reparaciones, ponerse en contacto sólo con el centro de servicio técnico autorizado por el fabricante y pedir piezas de repuesto originales. El incumplimiento de lo anterior podría poner en peligro la seguridad del dispositivo.
6. Cuando el dispositivo no funciona, desconectar el cable de alimentación. Además, hacer que las piezas potencialmente peligrosas se conviertan en inofensivas, especialmente con respecto a los niños que se podrían jugar con el dispositivo cuando el mismo no se utiliza.
7. La temperatura máxima de la habitación es de 40 ° C.
8. El dispositivo se debe instalar a mt. mínimo de 2,3.
9. Después de la instalación, el dispositivo (M) se iniciará tan pronto como se detecta la presencia de personas a una distancia de hasta 5 metros y se detendrá después de un cierto tiempo, si no puede detectar la presencia de las personas. El extractor se puede ajustar desde 1 min a 15 min. girando el mando del circuito eléctrico en sentido horario.



ADVERTENCIA:

este símbolo indica las precauciones que se deben tomar para evitar las lesiones.

- No utilizar este dispositivo por propósitos distintos de los descritos en este manual de instrucciones.
- Después de sacar el dispositivo de su embalaje, asegurarse de que esté completo y no dañado. En caso de duda, ponerse en contacto con un electricista profesional cualificado. Mantener todos los envases fuera del alcance de los niños o personas con discapacidad.
- Se deben seguir algunas reglas básicas al usar cualquier aparato eléctrico: a) Nunca tocar los dispositivos con las manos mojadas o húmedas; b) nunca tocar los dispositivos con los pies desnudos.
- No se recomienda el uso de este dispositivo por niños o personas con capacidades físicas, sensoriales o

mentales reducidas, o por personas sin experiencia o sin entrenamiento, a menos que sean supervisados o instruidos por una persona responsable de su seguridad. Los niños siempre deben ser supervisados para asegurarse de que no jueguen con el dispositivo.

- No almacenar el dispositivo al alcance de los niños y de las personas con discapacidades si se decide desconectarlo de la fuente de alimentación y no utilizarlo.
- No utilizar el dispositivo en la presencia de vapores inflamables (alcohol, insecticidas, gasolina etc.).
- Tomar todas las precauciones necesarias para asegurarse de que no hay infiltraciones de gas en los lugares donde se encuentran los aparatos de combustión.



AVISO: este símbolo indica las precauciones que se deben tomar para evitar dañar el dispositivo.

- No realizar ningún tipo de cambio a este dispositivo.
- No exponer el dispositivo a intemperies (lluvia, sol etc.)
- Inspeccionar la máquina regularmente para ver si tiene daños visibles. Si encuentra daños, no utilizar el dispositivo.
- Si el aparato no funciona correctamente o tiene una avería, ponerse de inmediato en contacto con nosotros y asegurarse de que sólo se utilizaron partes de repuesto originales para las reparaciones.
- Si el dispositivo se cae o sufre un golpe fuerte, comprobarlo de inmediato.
- El aparato debe ser instalado por un electricista profesional cualificado.
- El sistema eléctrico al que está conectado el dispositivo debe cumplir con las normas aplicables.
- El dispositivo tiene un doble aislamiento y, por lo tanto no necesita puesta a tierra.
- No operar el ventilador si un cable o el enchufe están dañados, después de un mal funcionamiento o si cayó o se dañó de alguna manera.

- La fuente de alimentación a la que el dispositivo debe estar conectado debe ser capaz de proporcionar la energía eléctrica máxima requerida por el dispositivo. De lo contrario, ponerse en contacto con un electricista para hacer los cambios necesarios antes de continuar.
- Un conmutador multipolar es necesario para instalar el dispositivo. La distancia entre los contactos del conmutador debe ser de al menos 3 mm.
- Apagar el interruptor principal de la instalación: a) si el dispositivo no funciona correctamente; b) antes de limpiar el exterior del dispositivo; c) si el dispositivo no se utilizará durante mucho tiempo.
- La habitación debe tener un suministro adecuado de aire de sustitución para que la unidad funcione de manera eficaz. Además, si hay un aparato basado en combustión no sellado, tal como un calentador de agua, una estufa de gas, etc. en la misma habitación, la sustitución del aire debe ser suficiente para permitir que todos los dispositivos funcionen de manera eficaz conjuntamente.
- El dispositivo debe evacuar directamente al exterior o a través de un tubo corto (longitud máxima de 400 mm para garantizar un rendimiento certificado). Si el dispositivo está instalado en las tuberías sometidas a cualquier contrapresión apreciable, se producirán pérdidas significativas.
- El dispositivo no puede ser utilizado para controlar la activación de los calentadores de agua, calentadores de habitación etc. ni debe ser conectado a los conductos de aire caliente utilizados por otros dispositivos.
- El aire que se debe extraer de la habitación debe estar limpio (es decir. sin grasas, hollín, agentes químicos y de corrosión y mezclas explosivas o inflamables) y no debe exceder una temperatura de 40° C.
- Mantener libres las rejillas de entrada y salida de los dispositivos para asegurar un nivel óptimo de aire.
- Instalar el dispositivo de manera que el propulsor sea inaccesible desde la salida del aire, comprobada con el dedo de acuerdo con las normas de seguridad actuales. Si esto no es posible, se debe instalar el dispositivo de protección adecuado.
- Modelo (H): no cubrir o bloquear la rejilla del sensor de humedad.

- Modelo (M): no cubrir el objetivo del sensor de movimiento.

NOTA (para ventiladores con elementos de obturación delanteras)

1. El obturador activado por el interruptor térmico eléctrico se abre y se cierre automáticamente.
2. No empujar el obturador con la mano con otras herramientas.
3. El obturador se abre después de 40 segundos cuando el ventilador está apagado.
4. El obturador se cierre después de 40 segundos cuando el ventilador está apagado.

MODELS

A. **(S) Modelo Estándar** - Este modelo se opera encendiéndolo del interruptor de alimentación.

B. **(T) Modelo Temporizador** - Este modelo está equipado con un temporizador que permite que los ventiladores funcionen después de que el temporizador fue apagado o configurado para funcionar durante al menos tres minutos. El temporizador se puede ajustar a la configuración de entre aprox. 1 y 15 minutos a través del temporizador.

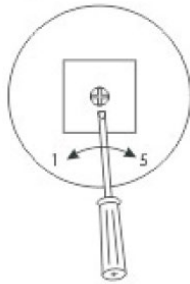
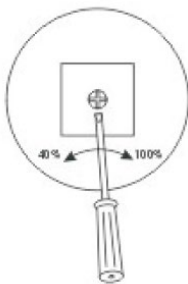
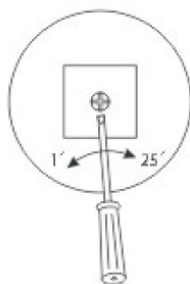
C. **(H) Modelo de humedad** - Este modelo tiene un circuito preestablecido de detección de la humedad que lo enciende cuando la humedad relativa es superior a 40% hasta el 100%. El circuito también está equipado con un temporizador que se puede ajustar a la configuración de entre aprox. 1 y 15 minutos a través del temporizador.

D. **(M) Modelo de detección de movimiento** - El producto está equipado con un circuito electrónico de sensor (PIR) que pone el dispositivo en marcha cuando detecta la presencia de una persona en su radio de acción (distancia de presencia de 1-5m). Este modelo está equipado con un temporizador configurado en la fábrica para un funcionamiento de al menos 3 minutos. El temporizador se puede ajustar a las configuraciones de entre 1 y 15 minutos a través del temporizador.

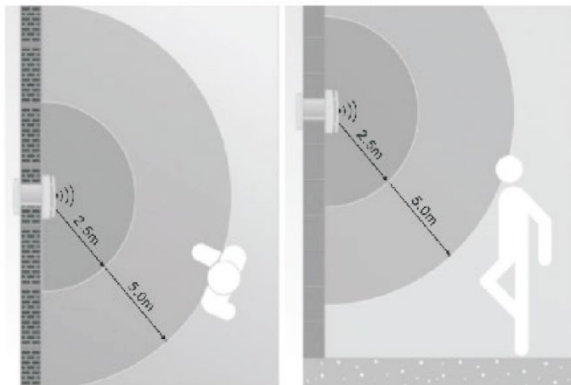
Ajustando el temporizador

Ajustando el sensor de humedad

Ajustando el sensor de presencia



Area de detección de presencia



INSTRUCCIONES DE INSTALACIÓN

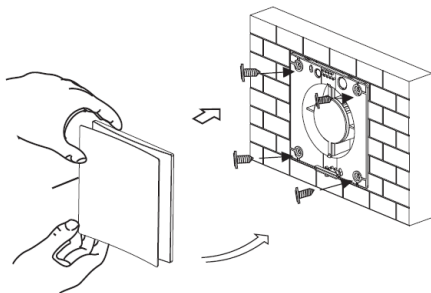
AVISO: ASEGURARSE DE QUE EL SUMINISTRO ESTÁ PARADO EN EL PANEL DE SERVICIO ANTES DE INICIAR LA INSTALACIÓN.

NOTA: EL LUGAR DE LA INSTALACIÓN DEBE ESTAR CERCA DE UNA FUENTE DE ALIMENTACIÓN. UN ELECTRICISTA CON LICENCIA ES NECESARIO PARA INSTALAR EL ENCHUFE.

INSTALAR EN LA PARED

1. Asegurarse de seleccionar el voltaje correcto indicado en la etiqueta antes de conectarlo a la fuente de alimentación.
2. Cortar un agujero con un tamaño adecuado en la pared, asegurarse de que no hay cables o tuberías quemados dentro de la pared durante el corte. El corte del interior de la pared, permite que el tubo se incline ligeramente hacia la pared exterior, permitiendo el drenaje del agua de lluvia.
3. Retire la cubierta delantera del ventilador y colocar los ventiladores en la pared y marcar los cuatro puntos de sujeción y la entrada del cable, y luego perforar de manera que coincida.
4. Traer el cable a la unidad a través de un interruptor con dos polos, con una distancia de al menos 3mm entre los polos.
5. Traer el cable principal a través de la entrada del cable y sujetar el cuerpo del ventilador en su lugar.
6. Sujetar la tapa frontal y el obturador exterior (disparador exterior no suministrado).

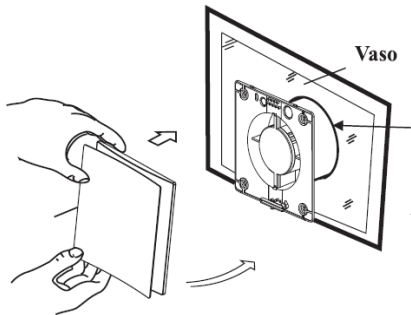
Nota: la imagen es solo para ilustración y puede no representar el producto real



INSTALAR LA VENTANA DE CRISTAL

1. Antes de comenzar cualquier corte, comprobar que en las ventanas no hayan obstrucciones tales como los marcos de las ventanas o las articulaciones y que haya suficiente espacio para la caja.
2. Colocar el ventilador en el cristal de la ventana y marcarlo, luego cortarlo.
3. Traer el cable a la unidad a través de un conmutador bipolar con una distancia mínima de 3 mm entre todos los polos.
4. Usar adhesivo para cristales para montar el cuerpo del ventilador y permitir que el pegamento se seque por unos 3 minutos, después el ventilador será firmemente montado en el cristal.

Nota: la imagen es solo para ilustración y puede no representar el producto real



Coloque el pegamento en el borde del orificio, luego fije el cuerpo del ventilador en un vaso

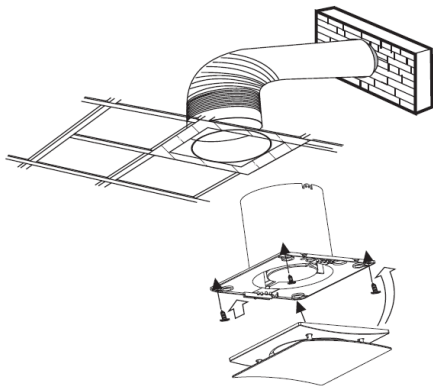
INSTALAR EN EL TECHO

1. Determinar una ubicación adecuada para el ventilador y cortar un agujero de un tamaño adecuado en el techo.
2. Retirar la tapa delantera del ventilador, traer el cable a la unidad a través de un conmutador bipolar con una distancia mínima de 3 mm en todos los polos.
3. Insertar el cable principal y fijar la unidad en su lugar usando sujetadores adecuados (elementos de fijación no suministrados).
4. Los dispositivos montados en el techo deben ventilar hacia el exterior y no hacia el techo para evitar la reducción del espacio, utilizando un conducto flexible y un obturador trasero de corriente adecuado.

Nota: Si se utiliza un conducto (no incluido), asegurarse de que está vacío para evitar la infiltración del flujo de gas de vuelta en la sala, desde chimeneas de gas o de combustión de combustible.

Nota: Las unidades de los ventiladores de escape del techo deben ventilar hacia el exterior y no hacia el techo. Utilizar un conducto y un obturador trasero de corriente adecuado (no incluido).

**Nota: la imagen es solo
para ilustración y puede no
representar el producto real**



CABLEADO

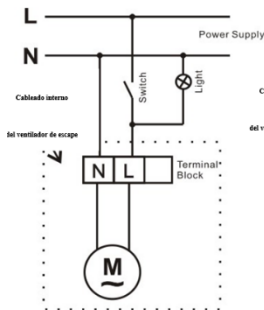
1. Los ventiladores tienen un doble aislamiento y no necesitan puesta a tierra.
2. Para los ventiladores de subdivisión se deben tomar precauciones para evitar la infiltración de gases en la habitación, debido a chimeneas abiertas de gas u otros equipos.
3. L --- conexión a tensión.
N --- conexión al neutro.
T --- conexión a baja tensión o conmutación a tensión (para las unidades del temporizador y Hygro)

CONEXIÓN ELÉCTRICA

(M) se debe conectar a una red monofásica con la tensión y frecuencia indicadas en la placa de identificación del ventilador. Los conectadores de conmutación se encuentran en la base de fijación del ventilador. Para proporcionar el nivel IP en contra de los salpicones de agua, utilizar la unión de cables adecuada suministrada para colocar el cable de conexión. El ventilador debe estar permanentemente conectado a un conducto fijo por de un cable doble con una sección mínima de 1 mm² para una instalación fija. No necesita puesta a tierra ya que es un ventilador con doble aislamiento (clase II).

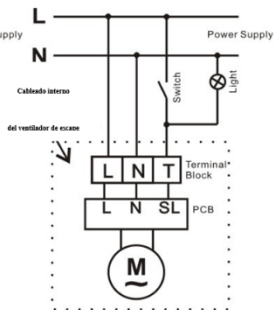
A). Con Luz

Conexión de cableado estándar



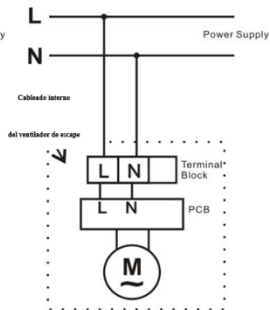
Temporizador o conexión de

cableado de humedad



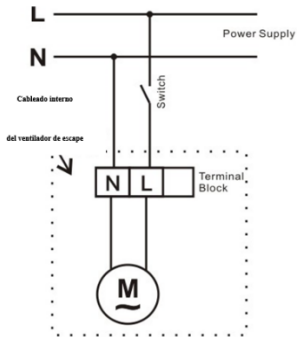
Conexión de cableado

del sensor infrarrojo



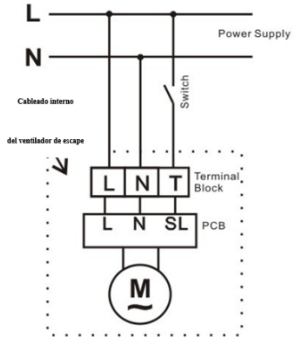
B). Sin luz

Conexión de cableado estándar



Temporizador o conexión de

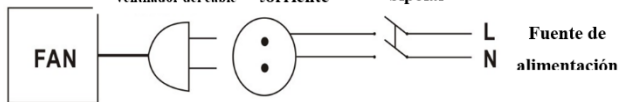
cableado de humedad



Enchufe y flexione el
ventilador del cable

Toma de
corriente

Interruptor
bipolar

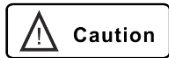


Fuente de
alimentación
L
N

MANTENIMIENTO Y REVISIÓN

Antes de realizar cualquier operación de mantenimiento, asegurarse de que la fuente de alimentación está desconectada de la red eléctrica.

1. Limpiar la carcasa y las rejillas sólo con un paño húmedo con jabón.
No dejar el agua entrar en contacto las partes eléctricas como el motor.
2. Nunca utilizar gasolina, benceno, disolvente u otros tales productos químicos para limpiar el ventilador.
3. No sumergir las partes de resina en agua más caliente de 60 ° C.
4. No colocar objetos calientes en la vecindad o no instalar dispositivos calientes en la vecindad.



No se recomienda el uso de este dispositivo por personas (incluso niños) con capacidades físicas, sensoriales o mentales reducidas, por personas sin experiencia o sin entrenamiento, a menos que sean supervisados o instruidas con respecto al uso del dispositivo por una persona responsable de su seguridad. Si el cable de alimentación está dañado, debe ser reemplazado por el fabricante, por su agente de servicio o por personas cualificadas de manera similar para evitar el peligro.

IT: CONTENUTO

1.	AVVERTENZE GENERALI	63
2.	MODELLI	65
3.	MANUTENZIONE	67
4.	COLLEGAMENTO ELETTRICO	71
5.	MANUTENZIONE E SERVIZIO	74

Dichiarazione di conformità

Produttore:

Intax Trading SRL - Via Ion Creanga 14B, 075100, Otopeni, Ilfov, Romania.



Questo prodotto è conforme alle seguenti direttive europee:

2014/30/EU (EMV)

2014/35/EU (LVD)

2011/65/EU (RoHS)

AVVERTENZE GENERALI

- Leggete attentamente le avvertenze contenute nel presente libretto istruzioni in quanto forniscono importanti indicazioni riguardanti la sicurezza di installazione d'uso e di manutenzione.
- Dopo aver tolto l'imballaggio assicuratevi dell'integrità dell'apparecchio. In caso di dubbio non utilizzate l'apparecchio e rivolgetevi a personale professionalmente qualificato.
- Gli elementi dell'imballaggio (sacchetti in plastica, polistirolo espanso, punti metallici, ecc.) non devono essere lasciati alla portata dei bambini in quanto potenziali fonti di pericolo.
- Prima di collegare l'apparecchio, accertatevi che i dati di targa siano rispondenti a quelli della rete di distribuzione elettrica.
- Questo apparecchio dovrà essere destinato solo all'uso per il quale è stato espressamente concepito e cioè per aerazione dei locali di uso domestico e similare.
- Ogni altro uso è da considerarsi improprio e quindi pericoloso.
- Il costruttore non può essere considerato responsabile per eventuali danni derivanti da usi impropri, erronei ed irragionevoli.
- L'uso di qualsiasi apparecchio elettrico comporta l'osservanza di alcune regole fondamentali, in particolare:

- Non toccare l'apparecchio con mani o piedi bagnati o umidi.
- Non lasciare esposto l'apparecchio ad agenti atmosferici (piogge, sole, ecc.)
- Prima di effettuare qualsiasi operazione di pulizia o di manutenzione, disinserite l'apparecchio dalla rete di alimentazione elettrica spegnendo l'interruttore dell'impianto.
- In caso di guasto e/o cattivo funzionamento dell'apparecchio, spegnetelo e non manomettetelo.
- Per l'eventuale riparazione rivolgetevi solamente ad EDIL PLAST srl. Il mancato rispetto di quanto sopra può compromettere la sicurezza dell'apparecchio.
- Allorché decidiate di non utilizzare più l'apparecchio si raccomanda di renderlo inoperante scollegandolo dalla rete di alimentazione dopo aver disinserito l'interruttore dell'impianto.
- Si raccomanda inoltre di rendere innocue, quelle parti dell'apparecchio che possono costituire un pericolo specialmente per i bambini che potrebbero servirsene per i loro giochi.
- Apparecchio conforme alle Direttive 89/336/ CEE + 92/31/CEE + 93/68/CEE sulla compatibilità Elettromagnetica (EMC)
- Funzionamento con temperatura ambiente max. 40° C (104° F)
- L'installazione deve essere effettuata secondo le seguenti istruzioni da personale professionalmente qualificato. Un'errata installazione può causare danni a persone, animali o cose nei confronti dei quali il costruttore non può essere considerato responsabile.
- L'apparecchio non necessita di collegamento ad una presa con impianto di messa a terra in quanto è costruito a doppio isolamento.
- I dispositivi di disconnessione devono essere previsti nella rete di alimentazione conformante alle regole di installazioni nazionali.
- Non ostruite le griglie di aspirazione o di espulsione
- Qualora nell'ambiente sia presente un apparecchio utilizzatore di combustibile solido, liquido o a gas (es. scaldabagno, stufa, caldaia, ecc.), non del tipo a "flusso bilanciato" e cioè chiuso rispetto all'ambiente stesso, è indispensabile assicurare un adeguato ingresso dell'aria, sia per il corretto funzionamento dell'apparecchio di

combustione, sia per compensare l'aria estratta dall'elettroventilatore.

- L'aria aspirata non deve essere immessa in condotti adibiti alla evacuazione di aria calda. Esempio: scarico della combustione di scaldacqua a gas.
- L'apparecchio deve scaricare in canna di esalazione singola oppure direttamente all'esterno.
- L'installazione può essere eseguita indifferentemente a parete o a soffitto.
- In ottemperanza alle attuali normative vigenti in materia antinfortunistica, occorre assicurarsi che l'apparecchio sia installato con la girante, dal lato di mandata, inaccessibile.
- L'apparecchio non è destinato a essere usato da persone (bambini compresi) le cui capacità fisiche, sensoriali o mentali siano ridotte, oppure mancanza di esperienza o di conoscenza, a meno che esse abbiano potuto beneficiare, attraverso l'intermediazione di una persona responsabile della loro sicurezza, di una sorveglianza o di istruzioni riguardanti l'uso dell'apparecchio.
- I bambini devono essere sorvegliati per sincerarsi che non giochino con l'apparecchio.

MODELLI

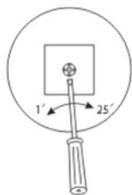
A. **(S) Modello Standard** - Questo modello viene azionato accendendolo con l'interruttore di alimentazione.

B. **(T) Modello di timer** - Questo modello è dotato di un timer che consente al fan di funzionare dopo che il timer è stato spento o impostato per funzionare per almeno 3 minuti. Il timer può essere regolato su impostazioni tra circa 1 e 15 minuti tramite il timer.

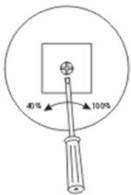
C. **(H) Modello di umidità** - Questo modello ha un circuito di rilevamento dell'umidità preimpostato che lo alimenta quando l'umidità relativa supera il 40% al 100%. Anche il circuito è dotato di un timer che può essere regolato su impostazioni tra ca. 1 e 15 minuti tramite il timer.

D. **(M) Il modello di rilevamento del movimento** - Il prodotto è dotato di un circuito sensore elettronico (PIR) che mette in funzione il dispositivo quando rileva la presenza di una persona nel raggio d'azione (distanza di presenza da 1 a 5 m). Questo modello è dotato di un timer impostato in fabbrica per il funzionamento minimo 3 minuti. Il tempo può essere impostato tra le impostazioni circa 1 e 15 minuti tramite il timer.

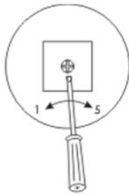
Regolazione del
timer



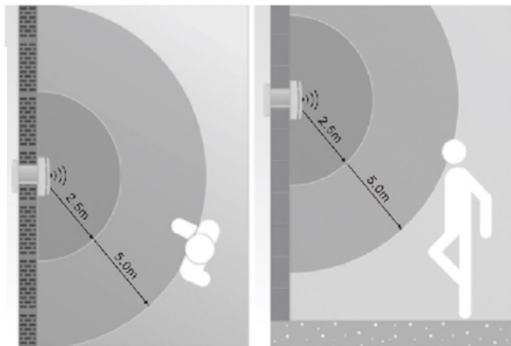
Regolazione del
sensore di umidità



Regolazione del
sensore di presenza



Area di rilevamento di presenza



MANUTENZIONE

- Interrompete l'alimentazione elettrica all'apparecchio disinserendo l'interruttore dell'impianto.
- Svitare le viti di fissaggio e togliete la griglia di protezione, pulite con acqua e detersivo neutro; asciugate e ricolocate in posizione originaria dopo aver pulito anche l'interno dell'apparecchio.
- Pulite l'interno e le parti che lo richiedono, con un pennello imbevuto di acqua e detersivo neutro.
- Fate molta attenzione a non bagnare il motore o altri componenti elettrici.

ISTRUZIONI PER L'INSTALLAZIONE

ATTENZIONE: rendere l'energia sicura è fuori al pannello di servizio prima di iniziare l'installazione.

NOTA: La posizione di installazione deve essere vicino a una fonte di alimentazione. Elettricista necessaria per l'installazione Premio FORO

INSTALLAZIONE A PARETE

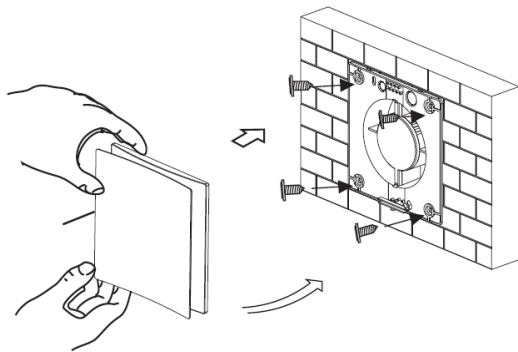
1. Assicurarsi di selezionare la tensione corretta indicata sull'etichetta prima di collegare alla rete elettrica.
2. Tagliare un foro nella parete con una dimensione adatta, assicurarsi che i cavi o tubi nella parete bruciato durante il taglio. Tagliare all'interno della parete, permette il tubo di inclinare leggermente la parete esterna, permette il flusso dell'acqua dalla pioggia.
3. Togliere il coperchio anteriore e posizionare le prese d'aria ventilatore sulla parete e segnare i quattro di fissaggio e l'ingresso del cavo, quindi praticare in modo che corrisponda.
cavo
4. Aduceți all'unità tramite un interruttore bipolare con una distanza minima di 3 mm tra i poli.

cavo principale

5. Aduceți attraverso ingresso del cavo e fissare il corpo ventola in posizione.

6. Impostare il coperchio anteriore e l'otturatore esterno (trigger esterno non è previsto)

Nota: l'immagine è puramente illustrativa e potrebbe non rappresentare il prodotto reale

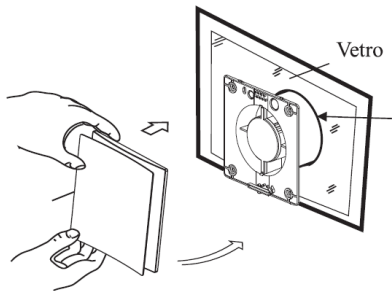


INSTALLAZIONE DI FINESTRA DI VETRO

1. Prima di iniziare qualsiasi taglio, controllare che non ci siano ostacoli come cornici delle finestre o giunti nelle finestre e che ci sia spazio libero sufficiente per l'involucro.

2. Posizionare la ventola sul vetro della finestra e segnarla, quindi tagliarla.
3. Collegare il cavo all'unità con un interruttore bipolare con una distanza minima di 3 mm tra tutti i poli.
4. Utilizzare la colla di vetro per fissare il corpo della ventola e lasciare asciugare l'adesivo di vetro per 3 minuti, quindi la ventola verrà fissata saldamente al vetro.

Nota: l'immagine è puramente illustrativa e potrebbe non rappresentare il prodotto reale



Mettere la colla sul bordo del foro, quindi fissare il corpo del ventilatore in vetro

INSTALLAZIONE SUL TAVAN

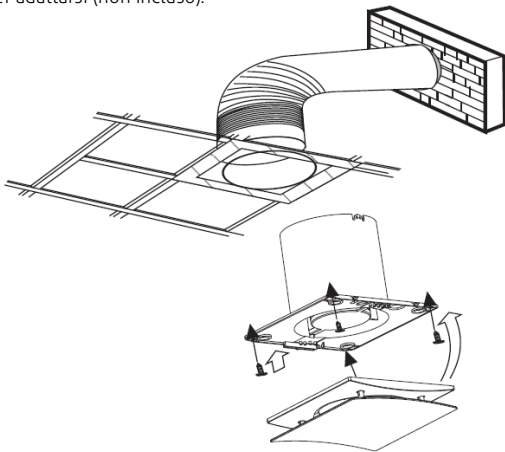
1. Impostare un luogo adatto per la ventola e praticare un foro nel soffitto delle giuste dimensioni
2. Rimuovere il coperchio anteriore della ventola, portare il cavo all'unità con un interruttore bipolare con una distanza minima di 3 mm tra tutti i poli.
3. Inserire il cavo principale attraverso l'ingresso del cavo e fissare l'unità in posizione utilizzando gli elementi di fissaggio appropriati (gli elementi di fissaggio non sono forniti).

4. I dispositivi montati a soffitto devono essere ventilati all'esterno e non nel soffitto per evitare la riduzione dello spazio, utilizzando un condotto flessibile e un grilletto di ritorno corrispondente.

Nota: se si utilizza la pipa (non inclusa), assicurarsi che sia vuota in modo da evitare l'infiltrazione del flusso di gas nella stanza da apparecchi a gas o apparecchi di combustione.

Nota: le unità del ventilatore da soffitto devono essere sfiatate all'esterno e non nella cavità del soffitto. Utilizzare una pipeline corrispondente e innescare per adattarsi (non incluso).

Nota: l'immagine è
puramente illustrativa e
potrebbe non rappresentare
il prodotto reale



CABLAGGIO

1. I ventilatori sono a doppio isolamento e non richiedono il cablaggio di messa a terra.
2. Per i ventilatori delle partizioni, devono essere prese precauzioni per evitare perdite di gas nella stanza a causa di apparecchi a gas o altri apparecchi.
3. L --- collegamento alla tensione
N --- collegamento a neutro.
T --- commutazione a bassa tensione o tensione (per unità timer e Hygro)

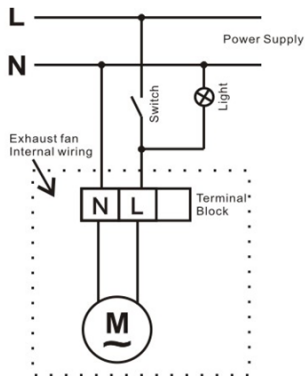
COLLEGAMENTO ELETTRICO

(M) deve essere collegato a una rete monofase con la tensione e la frequenza indicate sulla targhetta del ventilatore. I connettori di commutazione si trovano nella base di fissaggio della ventola. Per fornire il livello IP contro gli spruzzi d'acqua, utilizzare la giunzione del cavo appropriata fornita per posizionare il cavo di collegamento. Il ventilatore deve essere collegato in modo permanente a un condotto fisso mediante un doppio cavo con una sezione minima di 1 mm² per un'installazione fissa. Non necessita di messa a terra in quanto è un ventilatore a doppio isolamento (classe II).

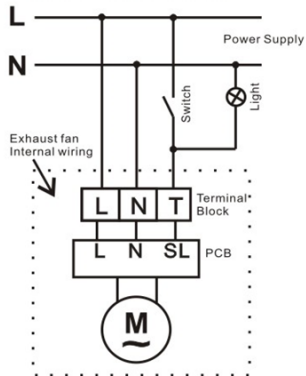
SCHEMA ELETTRICO

A). Con la luce

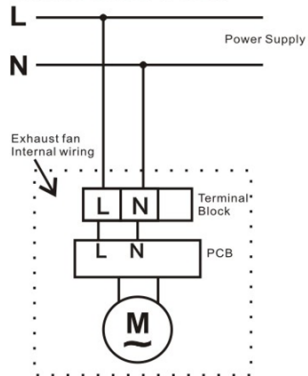
Collegamento elettrico standard



Collegamento del cablaggio temporizzatore e umidità

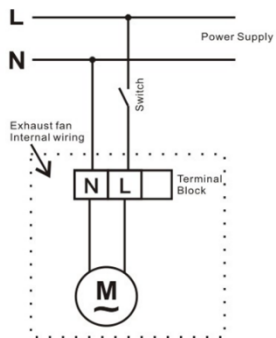


Collegamento del cablaggio del sensore a infrarossi



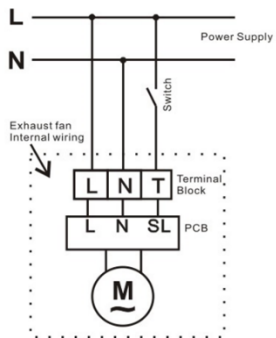
B). Senza luce

Collegamento elettrico standard

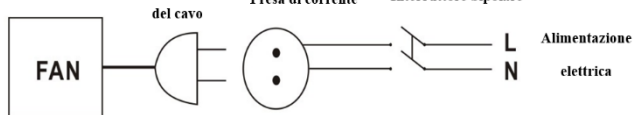


Collegamento del cablaggio

temporizzatore e umidità



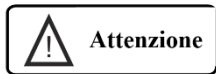
Plug & flex fan



MANUTENZIONE E SERVIZIO

Prima di eseguire qualsiasi intervento di manutenzione, assicurarsi che l'alimentazione sia scollegata dall'alimentazione.

1. Pulire la fascia e le griglie solo con un panno umido con sapone. Non lasciare che l'acqua entri in contatto con parti elettriche, come il motore.
2. Non utilizzare mai benzina, benzene, diluente o altri prodotti chimici simili per pulire la ventola.
3. Non immergere le parti in resina in acqua calda superiore a 60 ° C.
4. Non posizionare oggetti caldi nelle vicinanze o installare elettrodomestici caldi nelle vicinanze.



Questo dispositivo non è destinato all'uso da parte di persone (inclusi i bambini) con capacità fisiche, sensoriali o mentali ridotte, o mancanza di esperienza e conoscenza, se non sono stati supervisionati o addestrati all'uso dell'apparecchio da parte di una persona responsabile della loro sicurezza .

Se il cavo di alimentazione è danneggiato, deve essere sostituito dal produttore, dal suo agente di assistenza o da personale adeguatamente qualificato per evitare rischi.

FR: CONTENT

1.	MESURES DE PRECAUTION	76
2.	MODELS	80
3.	GUIDE DE MONTAGE	82
4.	CONNEXION ELECTRIQUE	85
5.	MANUTENZIONE E SERVIZIO	88

Declaration de conformite

Producteur:

Intax Trading SRL - Ion Creanga 14B, Otopeni, 075100, Romania.



Ce produit est conforme aux directives europeennes suivantes:

2014/ 30/ EU (EM V)

2014 / 35/ EU (LVD)

2011 / 65/ EU (RoHS)

Mesures de precaution

1. Enlever l'emballage et s'assurer que l'equipement n'est pas endommage. Au cas de doutes, ne pas utiliser l'appareil et contacter noire centre de maintenance.
2. Cet appareil ne doit etre utilise que dans le but pour lequel ii a ete com;u, par exemple pour !evacuation de l'air et dans d'autres buts domestiques et similaires.
3. MONTAGE - Il doit etre installe sur un mur, sur une fenetre ou sur le plafond. Le montage du ventilateur doit etre fail avec la prise et les vis livrees avec le kit. L'evacuation doit etre faite dans la etre de ventilation ou dans le systeme commun existant pour la ventilation dans l'immeuble. Le montage sera fail sous la surveillance d'un entrepreneur agree.
4. Avant de realiser tout nettoyage ou maintenance, deconnecter la source d'alimentation du ventilateur du reseau a l'aide

d'un interrupteur a deux poles ou enlever la prise.

5. Au cas d'un defaut ou de fonctionnement defectueux, arreter l'appareil et ne pas le toucher. Si des reparations sont necessaires, ne contacter que le centre de maintenance technique agree par le producteur et solliciter des pieces de rechanges originales. Le non-respect des dispositions ci-dessus pourrait mettre en danger la securite de l'appareil.



AVERTISSEMENT : Ce symbole indique les mesures de precaution qui doivent etre prises pour eviter les blessures

- Ne pas utiliser l'appareil dans d'autres buts que ceux decrits dans ce guide d'utilisation. Apres l'enlevement des emballages, s'assurer qu'il est complet et n'est pas endommage. En cas de doutes, contacter un electricien professionnel qualifie. Ne pas laisser les emballages dans la zone ou les enfants et les personnes handicapees peuvent penetrer.
- Il faut respecter certaines regles fondamentales quand vous utilisez tout equipement electrique : a) Ne jamais toucher l'equipement avec des mains mouillees ou trempees; b) ne jamais toucher les appareils avec les pieds nus.
- Cet equipement n'est pas recommande pour etre utilise par des enfants ou des personnes a capacites physiques, sensorielles ou mentales reduites, ou par des personnes sans experience ou sans formation, sauf le cas ou elles
- sont surveillees ou formees par une personne responsable pour leur securite. Les enfants doivent etre toujours surveilles pour s'assurer qu'ils ne jouent pas
- avec l'equipement.
- Ne pas stocker l'equipement a portee de main des enfants et des personnes handicapees si vous

decidez de le deconnecter de la source d'alimentation et de ne plus l'utiliser.

-
- Ne pas utiliser l'equipement en presence des vapeurs inflammables (alcool, insecticides, essence, etc.).
- Prendre toutes les mesures de precaution necessaires pour s'assurer qu'il n'y a pas d'infiltrations de gaz dans les espaces ou se trouvent les appareils a combustion.



AVERTISSEMENT : ce symbole indique les mesures de precaution qui doivent etre prises pour eviter la deterioration de l'equipement

- Ne pas effectuer des modifications de toute sorte a eel equipement.
- Ne pas exposer l'appareil aux intemperies (pluie, soleil etc.)
- Inspecter regulierement l'appareil pour voir s'il y a des defauts visibles. Si vous trouvez des defauts, ne pas utiliser l'appareil.
- Si l'appareil ne fonctionne pas correctement ou developpe un defaut, nous contacter immediatement et s'assurer que pour les reparations on n'a utilise que des pieces de rechanges originales.
- Si l'appareil est jete ou a subi un coup violent, le verifier immediatement.
- L'appareil doit etre installe par un electricien professionnel qualifie.
- Le systeme electrique auquel l'appareil est connecte doit respecter les normes applicables.
- L'appareil a une isolation double et, par consequent, ii ne doit pas etre lie a la terre.
- Ne pas utiliser le ventilateur si un cable ou la prise est endommage, apres une fonction defectueuse ou s'il est tombe ou a ete abime de toutes les facons.
- La source d'alimentation electrique / la prise a laquelle ii doit etre connecte doit pouvoir fournir la

puissance électrique maximale demandée par l'appareil. Au cas contraire, contacter un électricien pour réaliser les modifications nécessaires avant de continuer.

- Pour installer l'appareil il faut utiliser un commutateur multipolaire. La distance entre les contacts du commutateur doit être d'au moins 3 mm.
- Arrêter l'équipement à partir de l'interrupteur principal de l'installation :
 - a) si l'appareil ne fonctionne pas correctement ;
 - b) avant de nettoyer l'extérieur de l'appareil ;
 - c) si l'appareil ne sera pas utilisé sur une longue période de temps.
- La chambre doit avoir une source adéquate de remplacement de l'air pour qu'il puisse fonctionner d'une manière efficace. En plus, au cas où il y a un appareil à combustion non étanche, comme par exemple un radiateur à eau, un poêle à gaz etc. dans la même chambre, le remplacement de l'air doit être suffisant pour que tous les appareils puissent fonctionner correctement ensemble.
- L'appareil doit évacuer directement vers l'extérieur, soit par un tuyau court (longueur maximale de 400 mm pour assurer la performance certifiée). Si l'appareil est installé dans des conduits soumis à une éventuelle contrepression appréciable il y aura des pertes significatives.
- L'appareil ne peut pas être utilisé pour contrôler l'activation des radiateurs à eau, des radiateurs de la chambre etc. et aussi ne doit pas être connecté aux conduits à air chaud utilisés par d'autres appareils.
- L'air qui doit être extrait de la chambre doit être propre (par exemple sans gras, suie, agents chimiques et corrosifs et mélanges explosifs ou inflammables) et ne doit pas dépasser une température de 40°C.
- Garder libres les grillages d'admission et d'évacuation des appareils pour assurer un niveau optimal d'air.
- Installer l'appareil tel que le rotor soit inaccessible par la partie d'évacuation de l'air, vérifiée avec le

doigt, en conformite avec les normes actuelles portant sur la securite. Si ce fail n'est pas possible, ii taut installer l'accessoire de protection necessaire.

- Modele (H) : ne pas couvrir ou obstruer le grillage du senseur d'humidite.
- Modele (M) : ne pas couvrir l'objectif du senseur de mouvement.

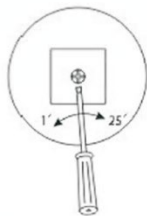
NOTE (pour les ventilateurs a elements de declenchement dans la partie avant)

1. Le declencheur actionne par l'interrupteur thermoelectrique ouvre et ferme automatiquement.
2. Ne pas pousser l'obturateur du ventilateur a la main ou avec un autre outil.
3. L'obturateur sera ouvert apres 40 secondes lorsque le ventilateur est en marche.
4. L'obturateur sera ferme apres 40 secondes lorsque le ventilateur est arrete.

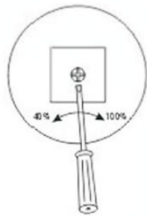
MODELS

- A. **(S) Modele Standard** - Ce modele est utilise par son demarrage a l'aide d'un commutateur d'alimentation.
- B. **(T) Modele Temporisateur** - Ce modele est muni d'un temporisateur qui permet aux ventilateurs de fonctionner quand le temporisateur a ete arrete ou programme a fonctionner durant minimum 3 minutes. Le temporisateur peut etre ajuste aux programmations entre environ. 1 et 25 minutes par l'intermede du temporisateur.
- C. **(H) Modele d'humidite** - Ce modele a un circuit preregle de detection de l'humidite qui le demarre quand l'humidite relative depasse 40% jusqu'a 100%. D'ailleurs, le circuit est muni d'un temporisateur qui peut etre ajuste aux programmations entre environ 1 et 25 minutes par l'intermede du temporisateur.
- D. **(M) Le modele de detection du mouvement** - Le produit est muni d'un circuit electronique a senseur (PIR) qui met l'equipement en marche lorsqu'il detecte la presence d'une personne dans son rayon d'action (distance de presence de 1-5m). Ce modele est muni d'un temporisateur preregle pour un fonctionnement de minimum 3 minutes. Le temps peut etre regle entre programmations de environ. 1et 25 minutes par l'intermede du temporisateur.

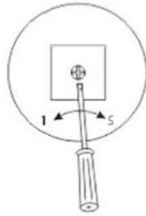
Régler le
minuteur



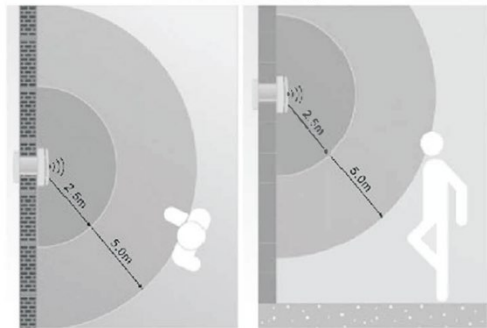
Réglage du capteur
d'humidité



Réglage du capteur
infrarouge



Zone de détection de présence

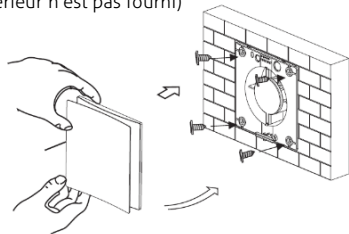


GUIDE DE MONTAGE

ATTENTION : S'ASSURER QUE L'ALIMENTATION EST ARRETEE A PARTIR DU TABLEAU DE SERVICE AVANT LE COMMENCEMENT DU MONTAGE. NOTE : LE LIEU DE MONTAGE DOIT SE TROUVER PRES D'UNE SOURCE D'ALIMENTATION. UN ELECTRICIEN AGREE EST REQUIS POUR INSTALLER L'ORIFICE DE LA PRISE INSTALLATION SUR LE MUR

1. S'assurer d'avoir choisi la tension correcte affichee sur l'etiquette avant la connexion a la source d'alimentation.
2. Couper un orifice dans le mur avec une dimension adequate, s'assurer qu'il n'y a pas de cables ou de tuyaux brules dans le mur lorsque vous coupez. Le decoupage a l'interieur du mur permet que le conduit s'incline legerement vers le mur exterieur, de cette fa9on on permettra l'ecoulement de l'eau provenue des pluies.
3. Enlever le couvercle frontal du ventilateur et positionner les ventilateurs sur le mur et marquer les quatre points de fixation et l'entree du cable, ensuite le farer pour s'adapter.
4. Apporter le cable a l'unite par un interrupteur a deux poles avec une distance de minimum 3 mm entre les poles.
5. Apporter le cable principal par l'entree du cable et fixer le corps du ventilateur sur la position.
6. Fixer le couvercle frontal et l'obturateur exterieur (le declencheur exterieur n'est pas fourni)

**Note: photo à titre
d'illustration seulement et
peut ne pas représenter le
produit réel**



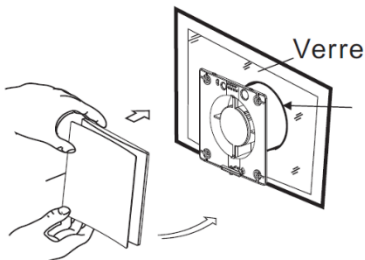
MONTAGE SUR LA FENETRE EN VERRE

Note: photo a titre d'illustration

1. Avant le commencement de tout decoupage, verifier que dans les fenetres ii n'y a pas d'obstructions comme par exemple les cadres des fenetres ou les joints et ii y a un espace libre suffisant pour la carcasse.
2. Positionner le ventilateur sur le vitre de la fenetre, le marquer et le decouper.
3. Apporter le cable a l'unité par un commutateur a deux poles avec une distance de minimum 3 mm entre tous les poles.

Utiliser un adhesif pour le verre afin de fixer le corps du ventilateur et laisser l'adhesif a secher 3 minutes, et ensuite le ventilateur sera fixe fermement dans le verre.

**Note: photo à titre
d'illustration
seulement et peut ne
pas représenter le**

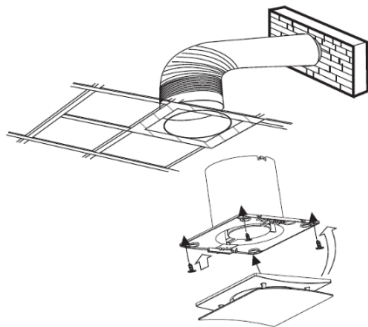


**Mettre la colle sur le bord
du trou, puis fixer le corps
du ventilateur en verre**

INSTALLATION SUR LE PLAFOND

1. Etablir un lieu approprié pour le ventilateur et couper un orifice dans le plafond à dimension correcte.
2. Elever le couvercle avant du ventilateur, apporter le câble à l'unité par un commutateur à deux pôles avec une distance de minimum 3 mm entre tous les pôles.
3. Introduisez le câble principal par l'entrée du câble et fixer l'unité sur la position en utilisant des dispositifs adéquats de fixation (les dispositifs de fixation ne sont pas fournis).
4. Les appareils installés sur le plafond doivent se ventiler à l'extérieur et non pas dans le plafond afin d'éviter la réduction de l'espace, en utilisant un tuyau flexible et un déclencheur à tirage arrière pour s'adapter.

Note: photo à titre d'illustration seulement et peut ne pas représenter le



Note : Au cas où on utilise le tuyau (n'est pas inclus), s'assurer qu'il est vidange afin d'éviter l'infiltration du flux de gaz dans la chambre à partir des appareils à combustion de gaz ou des appareils à combustion de combustible.

Note : Les unités des ventilateurs d'évacuation dans le plafond doivent se ventiler à l'extérieur et non pas dans la cavité du plafond. Utiliser un tuyau et un déclencheur à tirage arrière pour s'adapter (n'est pas inclus).

CABLAGE

1. Les ventilateurs sont a isolation double et n'ont pas besoin de cablage de liaison a la terre.
2. Pour les ventilateurs de partition, ii faut prendre des mesures de precaution pour eviler !'infiltration des gaz dans la chambre, grace aux appareils a gaz residuels ouverts ou aux autres appareils.
3. L---connexion a la tension.
L---connexion au neutre.
T---connexion a une faible tension ou commutation a la tension (pour les unites du temporisateur et Hygro)

CONNEXION ELECTRIQUE

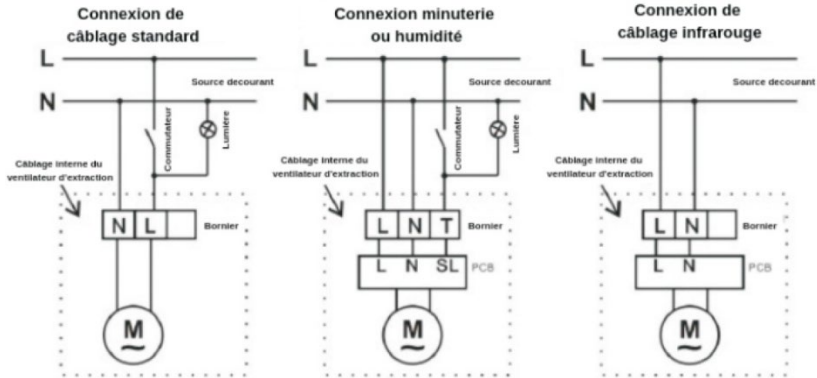
(M) doit etre connecte a un reseau monophas avec la tension et la frequence affichees sur la plaque d'identification du ventilateur. Les connecteurs de commutation sont situes sur le socle de fixation du ventilateur.

Pour assurer le

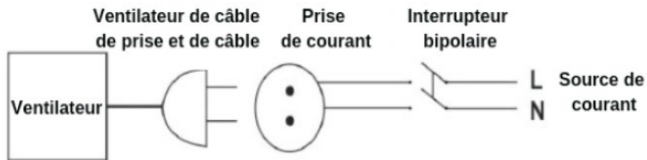
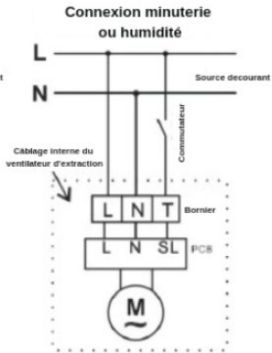
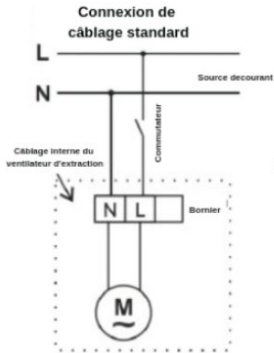
niveau IP contre les gouttes d'eau, utiliser la jonction adequate de cable fournie a !'introduction du cable de connexion. Le ventilateur doit etre connecte d'une maniere permanente a un tuyau fixe par un cable double avec une section minimale de 1 mm² pour un montage fixe. La connexion a la terre n'est pas necessaire parce qu'il s'agit d'un ventilateur a double isolation (classe II).

Schéma de Câblage

A). Avec la Lumière



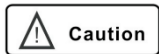
B). Sans la Lumière



ENTRETIEN ET MAINTENANCE

Avant la réalisation de tout travail d'entretien, s'assurer que l'alimentation en énergie électrique est déconnectée du réseau d'alimentation.

1. Ne nettoyer le fascia et les grilles qu'avec un torchon humide à savon. Ne pas laisser l'eau entrer en contact avec les pièces électriques, comme par exemple le moteur.
2. Ne jamais utiliser de l'essence, du benzène, du diluant ou d'autres substances chimiques similaires pour nettoyer le ventilateur.
3. Ne pas immerger les pièces en résine dans de l'eau chaude à plus de 60°C.
4. Ne pas mettre d'objets chauds aux alentours ou ne pas installer de tels objets aux alentours.



Cet appareil n'est pas destiné à l'utilisation par des personnes (y compris enfants) à capacités physiques, sensorielles ou mentales réduites, ou sans expérience et sans formation, si elles n'ont pas été surveillées ou formées sur l'utilisation de l'appareil par une personne responsable pour leur sécurité. Si le câble d'alimentation est endommagé, il doit être remplacé par le fabricant, par son agent de maintenance ou par des personnes qualifiées d'une manière similaire afin d'éviter un danger.

EN 2 Years Warranty

This warranty covers defects of construction, manufacturing and material. Excluded are all wearing parts and improper usage, or consequential damages due to lack of cleaning of the appliance.

RO Garantie 2 ani

Aceasta garantie acopera defectele de constructie, fabricatie si materialele din care este confectionat dispozitivul. Nu fac obiectul garantiei utilizarea necorespunzatoare , uzura normala a elementelor sau defectele aparute in urma necuratarii corespunzatoare a dispozitivului.

DE 2 Jahre Garantie

Diese umfasst Konstruktions-, Produktions-, sowie Materialfehler. Ausgenommen sind sämtliche Verschleissteile und unsachgemasse Benutzung, sowie Folgeschaden durch mangelnde Reinigung.

ES 2 años de garantía

Esta garantía cubre los defectos de construcción, fabricación y materiales. Están excluidas todas las piezas de desgaste y el uso indebido, o los daños indirectos provocados por la falta de limpieza.

IT 2 anni di garanzia

Questa garanzia copre difetti di costruzione, di produzione e di materiale. Tutte le parti di abrasione sono escluse e altresì l'uso o la manutenzione inappropriata dovuti alla mancanza di pulizia.

FR Garantie 2 ans

La présente garantie couvre les défauts matériels, de construction et de fabrication. En revanche, elle exclut toutes les pièces d'usure normale, ainsi que tout dommage résultant de la négligence ou consécutif à un défaut d'entretien.

www.turbionaire.com