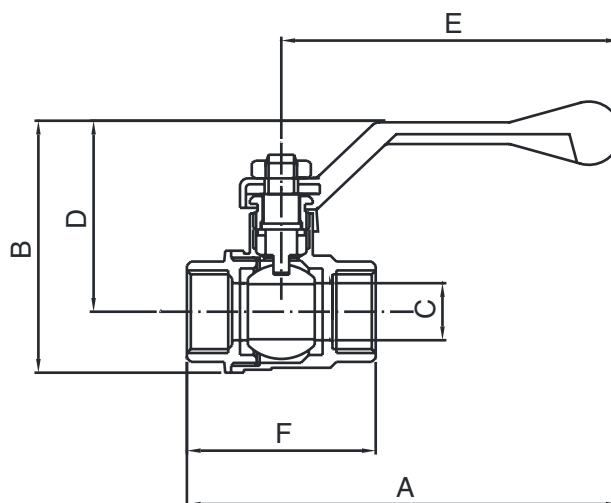


ART. COD.
371


| | A | B | C | D | E | F | G |
|--------|-----|-----|----|-----|-----|-----|---|
| 3/8" | 96 | 50 | 10 | 38 | 76 | 40 | |
| 1/2" | 110 | 57 | 14 | 42 | 85 | 48 | |
| 3/4" | 113 | 66 | 19 | 50 | 85 | 56 | |
| 1" | 130 | 75 | 24 | 52 | 98 | 65 | |
| 1" 1/4 | 155 | 90 | 31 | 68 | 115 | 78 | |
| 1" 1/2 | 178 | 110 | 39 | 80 | 130 | 95 | |
| 2" | 183 | 123 | 50 | 85 | 132 | 102 | |
| 2" 1/2 | 296 | 170 | 60 | 110 | 225 | 136 | |
| 3" | 305 | 180 | 70 | 120 | 230 | 150 | |
| 4" | 320 | 205 | 90 | 135 | 230 | 190 | |

| COMPONENTI | COMPONENTS | MATERIALI - MATERIALS |
|---------------------------|---------------------|-----------------------|
| ① Corpo | ① Body | UNI EN 12165 CW617N |
| ② Manicotto | ② End connection | UNI EN 12165 CW617N |
| ③ Sfera | ③ Ball | UNI EN 12165 CW617N |
| ④ Sedi tenuta sfera | ④ Ball seal | P.T.F.E. |
| ⑤ Asta | ⑤ Stem | UNI EN 12164 CW614N |
| ⑥ Guarnizioni tenuta asta | ⑥ Stem packing and | P.T.F.E. |
| ⑦ e rondella antifrizione | ⑦ antifriction ring | |
| Leva alluminio | Alu handle | AL fire painted |
| ⑧ Farfalla alluminio | ⑧ Butterfly handle | AL fire painted |
| Dado | Nut | Chrome plated Brass |

Via Leonardo da Vinci 83 - 20062 Cassano d'Adda (MI) Italy - Tel. +39-0363 364211

info@remer.eu
www.remer.eu